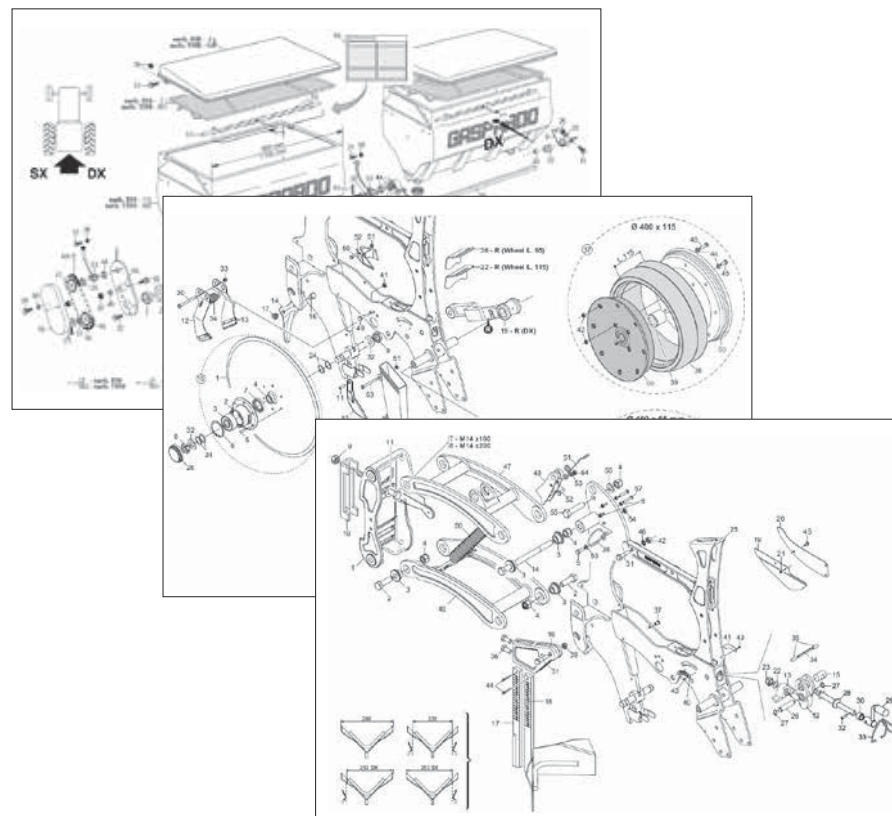


GASPARDO

MASCHIO GASPARDO S.p.A.



MTE-R

Cod: G19531780 2017-09

- *) Valido per Paesi UE
- *) Valid for EU member countries
- *) Gilt für EU-Mitgliedsländer
- *) Valable dans le Pays UE
- *) Válido para Países UE
- *) Valabil pentru țările UE

- IT** PARTI DI RICAMBIO
- EN** SPARE PARTS
- DE** ERSATZTEILE
- FR** PIÈCES DÉTACHÉES
- ES** PIEZAS DE REPUESTO

PARTI DI RICAMBIO

Le ordinazioni delle parti di ricambio vanno fatte presso i nostri concessionari di zona e devono essere sempre corredate dalle seguenti indicazioni:

- **Tipo, modello e numero di matricola dell'attrezzatura.** Tali dati sono stampigliati nell'apposita targhetta di cui è dotata ogni attrezzatura.

- **Numero di codice della parte richiesta** rilevabile dal catalogo ricambi.

- **Descrizione del particolare e quantità richiesta.**

- **Numero della tavola.**

- **Mezzo di trasporto.** Nel caso questa voce non sia specificata, la Ditta Costruttrice, pur dedicando a questo servizio una particolare cura, non risponde di eventuali ritardi di spedizione dovuti a cause di forza maggiore.

Le spese di trasporto si intendono sempre a carico del destinatario. La merce viaggia a rischio e pericolo del committente anche se venduta franco destino.

NOTA: Il termine **(Dx) Destro** o **(Sx) Sinistro** della macchina o di parti di essa, è inteso guardando la macchina dalla parte posteriore. Le eccezioni saranno indicate.

SPARE PARTS

Orders must be transmitted through our area dealers and should always include the following indications:

- **Type, model and serial number of the machine.** These data are punched on the data plate with which every implement is equipped.

- **Code number of the required spare part.** This will be found in the spare parts catalogue.

- **Description of the part and required quantity.**

- **Table number.**

- **Means of dispatch.** If this item is not indicated, the Manufacturer, while dedicating particular care to this service, shall not be held responsible for delays in delivery caused by cases of force majeure.

Transport expenses shall always be at the consignee's charge. The goods travel at the purchaser's risk and peril even when sold ex destination.

NOTE: The symbols **(Dx) right** and **(Sx) left**, concerning the machine or single parts of it, are referred, as in the figure, to a rear view of them. Exceptions will be indicated.

ERSATZTEILE

Die Bestellungen müssen bei unseren Gebietshändlern angegeben werden. Bei der Bestellung sind stets die folgenden Angaben zu machen:

- **Typ, Modell und Serien-Nummer des Geräts.** Diese Daten stehen auf dem Typenschild, mit dem jedes Gerät versehen ist.

- **Artikel Nr. der erforderlichen Ersatzteile.** Diese stehen im Ersatzteil-Katalog.

- **Beschreibung des Ersatzteils und die erforderliche Stückzahl.**

- **Tafelnummer.**

- **Versandmittel.** Wenn dieser Punkt nicht spezifiziert wird, haftet die Herstellerfirma nicht für etwaigen Lieferverzug aufgrund höherer Gewalt, auch wenn er diesen Service besonders aufmerksam abwickelt. Die Frachtkosten gehen dagegen immer zu Lasten des Empfängers. Die Ware reist auf Gefahr und Risiko des Auftraggebers, auch wenn frei Haus Verkauft vereinbart worden ist.

N.B.: Die Merkzeichen **(Dx) rechts** und **(Sx) links** betreffen eine rückwärtige Aussicht der Maschine oder Teile von ihr (siehe Bild). Ausnahmen werden gezeit.

PIECES DÉTACHÉES

Les ordres doivent être effectués auprès de nos concessionnaires de zone en précisant les indications suivantes:

- **Type, modèle et numéro de série de la machine.** Ces données sont gravées sur la plaque d'identification de chaque outil.

- **Numéro de code de la pièce détachée** indiqué sur le catalogue des pièces détachées.

- **Description de la pièce et quantité requise.**

- **Numéro de plan.**

- **Moyen d'expédition.** Si cette rubrique n'est pas indiquée, le Constructeur, bien que soucieux de ce service, ne répond pas des retards d'expédition pour des causes de force majeure.

Les frais de transport sont toujours à la charge du destinataire. La marchandise voyage aux risques et périls de l'acheteur même si vendue franco de port.

N.B.: Les références **(Dx) droit** et **(Sx) gauche** de la machine ou des parties de la même, est entendue, comme de la figure, en regardant la machine de derriere dans le sens de marche.

RESPUESTOS

Los pedidos han de efectuarse en nuestros consesionarios de zona y deben incluir siempre las siguientes indicaciones:

- **Tipo, modelo y número de matricula del equipo.** Dichos datos están impresos en la relativa placa presente en el equipo.

- **Número de código de la parte requerida** presente en el catálogo respuestas.

- **Descripción de la pieza y cantidad requerida.**

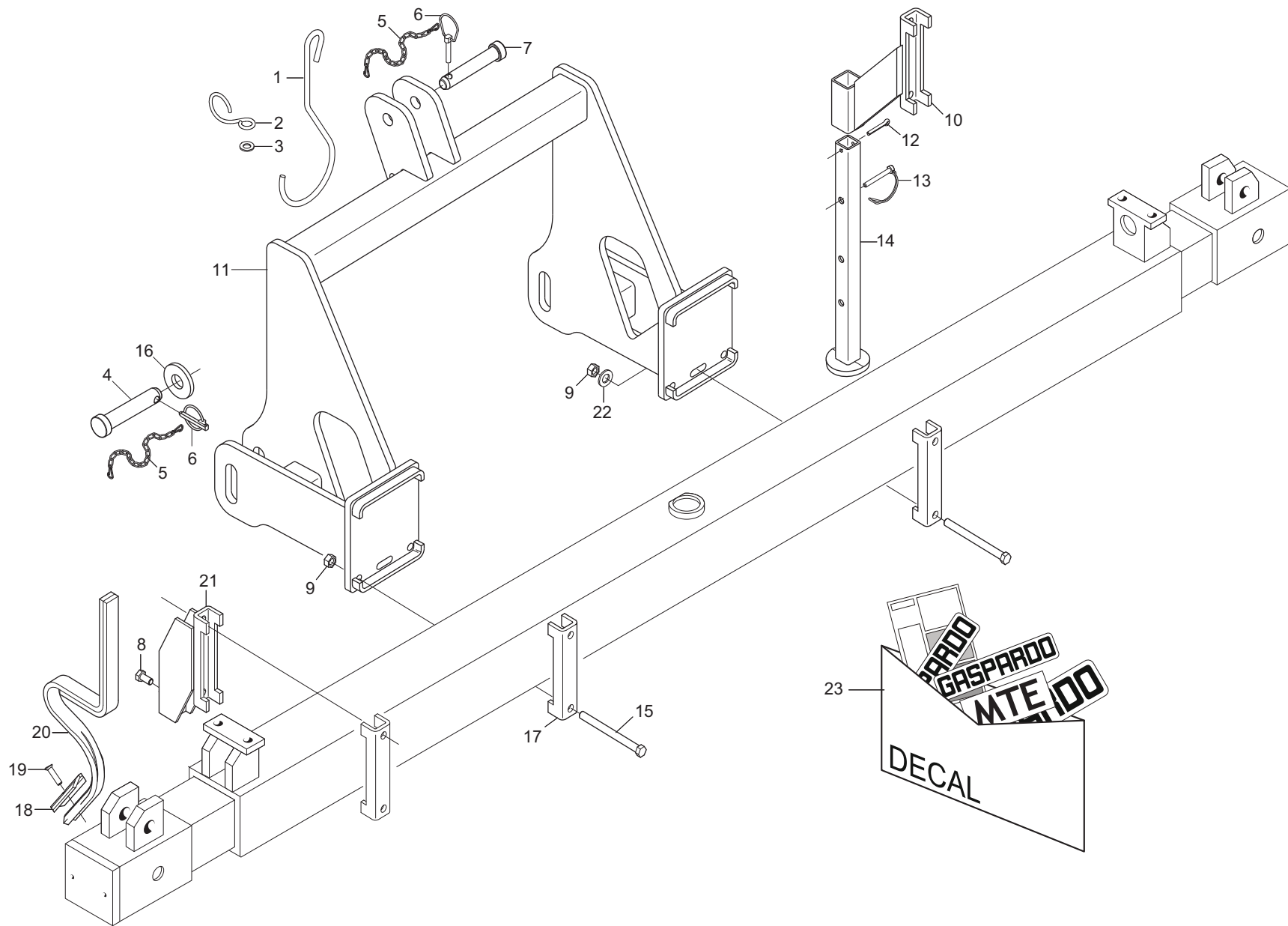
- **Numero de ilustración.**

- **Medio de transporte.** En caso que este ítem no esté especificado, el Fabricante, aún prestando la debidas consideraciones para este aspecto, no responde por eventuales retardos de env'o debidos a causas de fuerza mayor.

Los gastos de transporte se consideran siempre a cargo del destinatario. La mercadería viaja bajo riesgo y peligro del comprador, incluso cuando se vende franco destino.

N.B.: La referencia **(Dx) derecha** o **(Sx) izquierda** de la máquina o de sus componentes, se entiende, como en la figura, mirando la máquina por la parte trasera. Se indicarán las excepciones.

Nr. Tav.	Descrizione	Description	Pag.
TAV. 010	Telaio e attacco 3 punti	Toolbar and tree point hitch.....	4
TAV. 020	Telaio «MTE 320»	Toolbar «MTE 320».....	6
TAV. 030	Telaio «MTE 300»	Toolbar «MTE 300».....	8
TAV. 040	Segnafile	Row marker.....	10
TAV. 050	Impianto oleodinamico segnafile.....	Hydraulic row marker system.....	12
TAV. 060	Depressore.....	Air pump.....	14
TAV. 070	Scatola di rinvio elemento.....	Transfer case element.....	16
TAV. 080	Distributore semi	Seed distributor.....	18
TAV. 090	Varianti semi minuti	Small seed variant.....	20
TAV. 100	Dischi di semina	Seed plates	22
TAV. 110	Telaio elemento.....	Unit toolbar.....	24
TAV. 120	Ruote di profondità.....	Depth wheels	28
TAV. 130	Ruote di compressione	Compression wheels.....	30
TAV. 140	Coprisemi anteriori.....	Front seed covering	32
TAV. 150	Ruotino premiseme inox	Steel seed press wheel.....	34
TAV. 160	Coltro a disco striato	Corrugated disc coulter	36
TAV. 170	Spartiresidui rotativo	Trash wheel.....	38
TAV. 180	Esclusione elettrica file di semina	Electric row shut off.....	40
TAV. 190	Cambio.....	Gearbox	42
TAV. 200	Ruote di trasmissione.....	Drive wheels.....	46
TAV. 210	Scaletta ruote portanti	Ladder	50
TAV. 220	Kit ruote per terreni sassosi - flangiatura ruote	Wheels for stony ground kit - fringing for wheels	52
TAV. 230	Presa di potenza posteriore	Rear pto shaft.....	54
TAV. 240	Supporti serbatoi spandiconcime «MTE 320»	Supports for «MTE 320» fertilizer distributor.....	56
TAV. 250	Supporti serbatoi spandiconcime «MTE 300»	Supports for «MTE 300» fertilizer distributor.....	58
TAV. 260	Serbatoi spandiconcime	«MTE 300» fertilizer distributor	60
TAV. 270	Supporti serbatoio spandiconcime 'BBS'	Supports for 'BBS' fertilizer distributor.....	64
TAV. 280	Serbatoio spandiconcime unico "BBS 1200 litri"	"BBS 1200 liters" fertilizer distributor.....	66
TAV. 290	Elementi di concimazione	Fertilizer unit.....	68
TAV. 300	Speedy set	Speedy set	70
TAV. 310	Concimazione pneumatica file esterne	Pneumatic fertilizer for external rows	72
TAV. 320	Concimazione pneumatica.....	Pneumatic fertilizer.....	74
TAV. 330	Supporti microgranulatore.....	Supports for microgranulator.....	76
TAV. 340	Microgranulatore (16 litri)	Microgranulator (16 liters)	78
TAV. 350	Microgranulatore (30 litri)	Microgranulator (30 liters)	80
TAV. 360	Trasmissione spandiconcime.....	Fertilizer distributor drive.....	82
TAV. 370	Trasmissione microgranulatore (6 file).....	Microgranulator drive (6 rows)	84
TAV. 380	Trasmissione microgranulatore (7/8 file).....	Microgranulator drive (7/8 rows)	88
TAV. 390	Applicazione doppio microgranulatore.....	Double microgranulator application.....	90
TAV. 400	Kit luci e tabelle di ingombro stradale	Lighting kit and warning boards	92
TAV. 410	Kit luci e tabelle di ingombro stradale	Lighting kit and warning boards	94
TAV. 420	Cardano	Cardan shaft.....	96

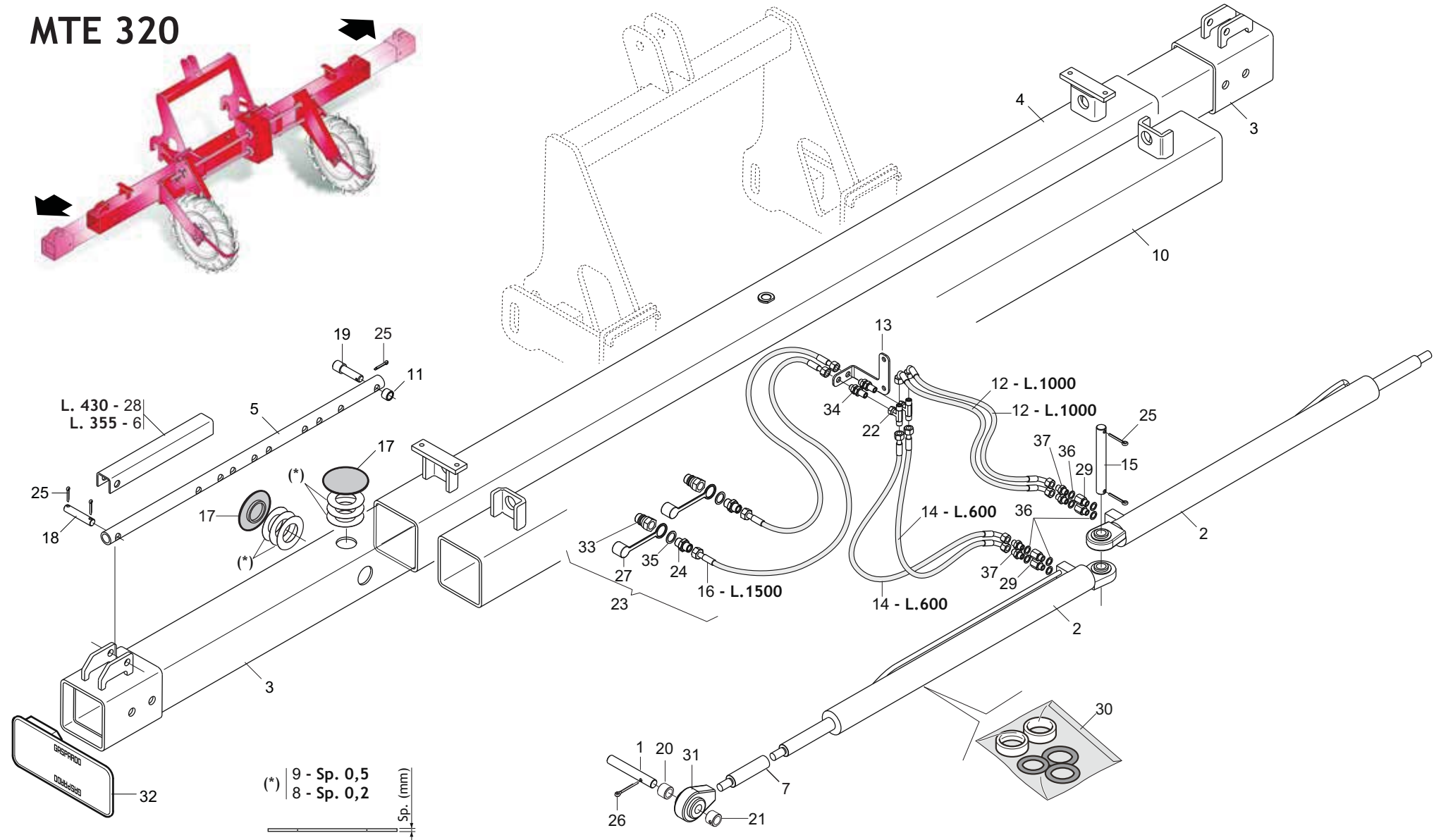


**TELAIO E ATTACCO 3 PUNTI
TOOLBAR AND TREE POINT HITCH**

TAV. 010

Pos.	Cod.	Descrizione	Description	Description	Benennung	Descripcion
1	F20120400R	GANCIO SOSTEGNO CARDANO	SHAFT HOOK SUPPORT	SUPPORT CARDAN	GELENKWELLE - HACKEN	SOPORTE CARDAN
2	G65336004R	MOLLA SPEC.ZN AGG.SEMINAT. SP	SPEC SPRING- ZN ADD. SEEDER SP	RESSORT SPEC. ZN ATTELAGE SEME	SPEZIALFEDER ZN SZELEM. KUPPL.	MUELLE ESPEC. ZN CONEX. SEMBRA
3	F01410088R	ROS.M14 15X 28X2,5 U6592 ZN	WAS.M14 15X 28X2,5 U6592 ZB	RON.M14 15X 28X2,5 U6592 ZB	SCH.M14 15X 28X2,5 U6592 ZB	ARA.M14 15X 28X2,5 U6592 ZB
4	F20100136R	PERNO D28 L109 C43 TEST.D60 Z	BOLT D28 L109 C43 ZN	BOULON D28 L109 C43 ZN	BOLTZEN D28 L109 C43 ZN	PERNO D28 L109 C43 ZN
5	G13812311R	CATENELLA CON MOSCHETTONE	CHAIN WITH SPRING CATCH	CHAINETTE AVEC MOUSQUETON	KETTE MIT KARABINERHAKEN	CADENA CON GANCHO
6	F02200507R	SPINA A SCATTO D 9 B 83	SNAP PIN D9 B 83 ZN	FICHE A DETENTE D9 B 83 ZN	EINRASTSTIFT D9 B 83 ZN	CLAVIJA DE MUELLE D9 B 83 ZN
7	F20100133R	PERNO D25 L122 C43 TEST.D60 ZN	PIN D25 L122 C43 ZN	BOULON D25 L122 C43 ZN	BOLZEN D25 L122 C43 ZN	PERNO D25 L122 C43 ZN
8	F01020510R	VITE M12X1,75X30 U5739 8.8ZN	SCR. M12X1,75X30 U5739 8.8ZN	VIS M12X1,75X30 U5739 8.8ZN	SCHRAU.M12X1,75X30 U5739 8.8ZN	TORN. M12X1,75X30 U5739 8.8ZN
9	F01200306R	DADO M14X2 U5588 CL8 ZN	NUT M14X2 U5588 6.8ZN	ECROU M14X2	MUTTER M14X2	DADO M14X2
10	G19204860R	SUPPORTO PUNTELLO SP-MT	SHORE SUPPORT SP-MT			
11	G16610463R	ASS.TERZO PUNTO 2 CATEGORIA	3RD POINT 2 CAT.			
12	F02200246R	COPIGLIA 6X 45 U1336 ZN	PIN 6 X45 U1336 ZN	GOUPILLE 6 X45 U1336 ZN	SPLINT 6 X45 U1336 ZN	CLAVIJA 6 X45 U1336 ZN
13	F02200584R	SPINA SICUR.D.12X70 ZN	PIN D12 L70 ZN	FICHE D12 L70 ZN	STIFT D12 L70 ZN	CLAVIJA D12 L70 ZN
14	G15112691R	PUNTELLO ST250	PROP ST250			
15	F01020236R	VITE M14X2X220 U5737 8.8BR	SCR. M14X2X220 U5737 8.8BR	VIS M14X2X220 U5737 8.8 BR	SCHRAUBE M14X2X220 U5737 8.8	TORNILLO M14X2X220 U5737 8.8
16	G20970120R	RONDELLA 70X8X28,5	WASHER 70X8X28-5	RONDELLE 70X8X28-5	UNTERLEGSCHIEBE 70X8X28-5	ARANDELA 70X8X28-5
17	G15110091R	SCONTRO A U	CONTRA U	BRIDE 150 MM	ANSCHLAG	ELEMENTO DE EMPALME
18	F20120017R	VOMERO REVERSIBIL.F37 40X5X135	SWIVEL PLOUGH-SHARE F37 40X5X1	SOC REVERS. F37 40X5X135	UMKEHRBARE SCHAR F37 40X5X135	REJAS REVERS. F37 40X5X135
19	G67002011R	BULLONE TESTE OVALE M10X35	OVAL HEAD BOLT M10X35	BOULON TETE AVALE M10X35	SCHRAUBE OVAL KOPF. M10X35	PERNO CABEZA OVALADO M10X35
20	G22270462R	MOLLA ROMPIRACCIA VERNICIATA	PAINTED TRACE BR. SPRING	RESSORT BRISEUR DE TRACES VERN	FEDER SPURMESSER LACKIERT	MUELLE ROMPEHUELLA BARNIZADA
21	G15471612R	SUPPORTO ROMPIRACCIA Q.150	ROW-BREAKER SUPPORT 150	SUPPORT EFFACEUR DE TRACES 150	HALTERUNG SPURAUFREISSER 150	SOPORTE BORRAHUELLAS 150
22	G20970142R	RONDELLA 32X4X15,5	WASHER 32X4X15-5	RONDELLE 32X4X15-5	UNTERLEGSCHIEBE 32X4X15-5	ARANDELA 32X4X15-5
23	G89900510R	KIT DECALCOM.ST250-300-MTE	DECAL KIT ST250-300-MTE	KIT DECALCOM.ST250-300-MTE	KIT ABZIEHB. ST250-300-MTE	SET CALCOM.ST250-300-MTE

MTE 320

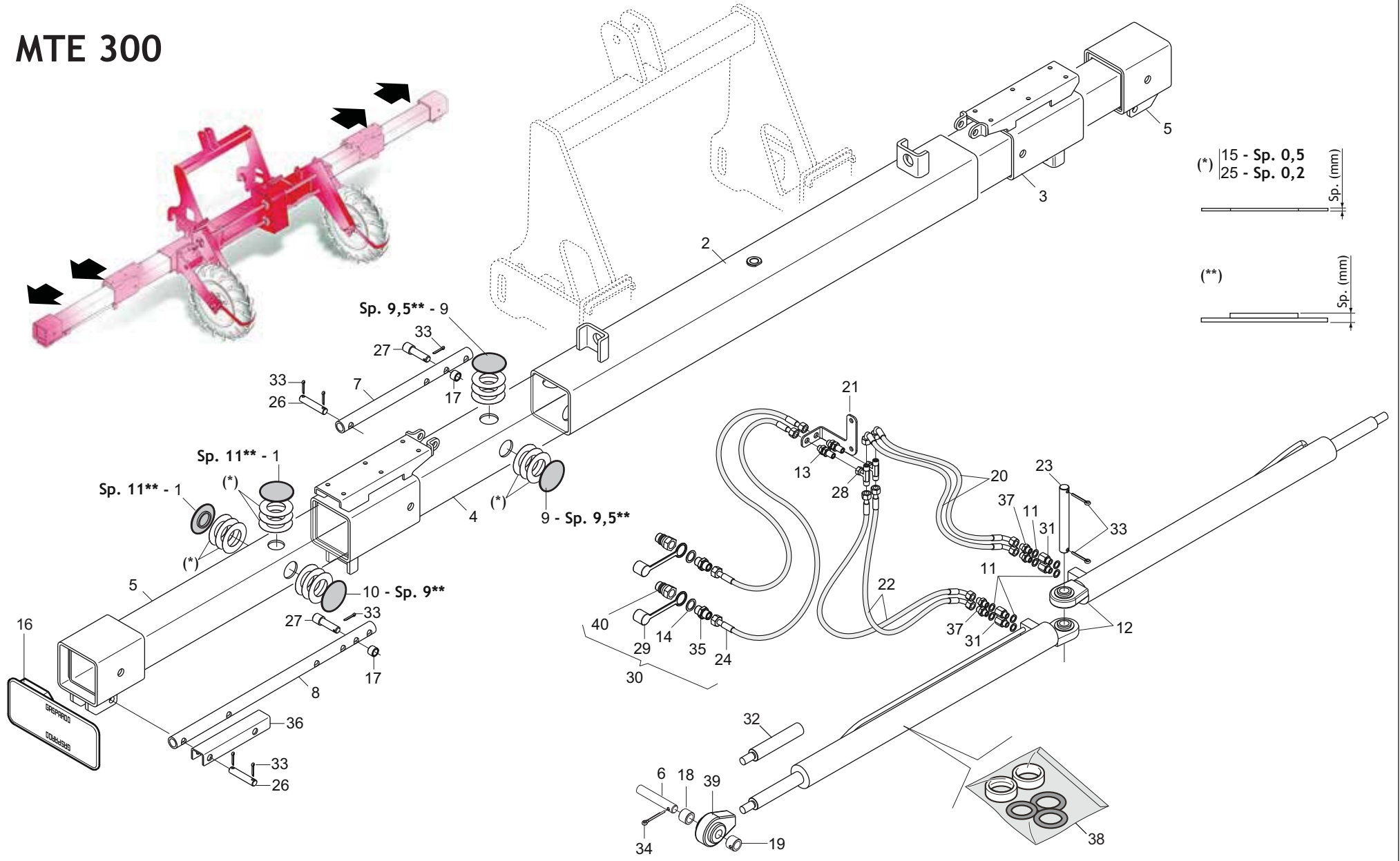


**TELAIO «MTE 320»
FRAME «MTE 320»**

TAV. 020

Pos.	Cod.	Descrizione	Description	Description	Benennung	Description
1	G15110991R	ASSE LATERALE PISTONI ZN	SIDE SPINDLE PISTONS ZN	AXEL LATERAL PISTON ZN	SEITENACHSE KOLBEN ZN	EJE LATERAL PISTONES ZN
2	G15112630R	CILINDRO 30X50 -875	CYLINDER 30X50 -875	CYLINDRE 30X50 -875	ZYLINDER 30X50 -875	CILINDRO 30X50 -875
3	G15210802R	BRACCIO ESTERNO ST-MTE	ARM- EXTERNAL ST-MTE	BRAS EXT. ST-MTE	AUSSENARM ST-MTE	BRAZO EXTERIOR ST-MTE
4	G15210820R	TELAIO CENTRALE	CENTRAL FRAME ST300-MTE	BATI CENTR.	MITTELRAHMEN	BASTIDOR CENTRAL
5	G15210831R	TUBO REGOLAZIONE TEDESC.300	TELESCOPING REGULATION TUBE 30	TUBE R GLAGE T LESC.300	LEITUNG EINSTELLUNG TELESK.300	TUBO REGULACION TELESC.300
6	G15210900R	DISTANZIALE CHIUSURA ST300	SPACER CLOSING ST300	ENTRETOISE FERMETURE ST300	DISTANZSTOSCK SCHLIESSUNG ST300	DISTANCIADOR CIERRE ST300
7	G15112650R	PROLUNGA PISTONE	PISTON EXTENSION	RALLONGE PISTON	VERLZNGERUNG KOLBEN	PROLONGACION PISTON
8	G18701940R	RONDELLA 50 X90 X0,2	WASHER 50 X90 X0,2	RONDELLE 50 X90 X0,2	UNTERLEGSSCHEIBE 50 X90 X0,2	ARANDELA 50 X90 X0,2
9	G18701770R	RONDELLA 50 X90 X0,5	WASHER 50 X90 X0,5	RONDELLE 50 X90 X0,5	UNTERLEGSSCHEIBE 50 X90 X0,5	ARANDELA 50 X90 X0,5
10	G15210821R	TELAIO CENTRALE ST300-MTE	CENTRAL FRAME ST300-MTE			
11	G20980094R	BOCCOLA 18,25X25X18	BUSHING 18,25X25X18	BOITE 18,25X25X18	BSCHSE 18,25X25X18	CASQUILLO 18,25X25X18
12	G22500022R	TUBO 1 4 R2 C-C MT.1,00	PIPE 1 4 R1 C-C MT.1-00	TUBE 1 4 R1 C-C M. 1-00	ROHR 1 4 R1 C-C M 1-00	TUBO 1 4 R1 C-C MT.1-00
13	G15113000R	SUPPORTO TUBI IDRAULICI	PIPE SUPPORT	SUPPORT TUBES	ROHRHALTERUNG	SOPORTE TUBOS
14	G22500024R	TUBO 1 4 R2 C-F MT.0,60	PIPE 1 4 R1 C-F MT.0-60	TUBE 1 4 R1 C-F M. 0-60	ROHR 1 4 R1 C-F M 0-60	TUBO 1 4 R1 C-F MT.0-60
15	G22500025R	PERNO CENTRALE CILINDRI	PIN- CYLINDER CENTRAL	PIVOT CENTR. CYLINDRES	MITTELZAPFEN ZYLINDER	PERNO CENTRAL CILINDROS
16	G22270463R	TUB.TR.1 4R2 F-F 1 4 L1500 LM	TUBE TR.1 4R2 F-F 1 4 L1500 LM	TUB.TR.1 4R2 F-F 1 4 L1500 LM	ROHR1 4R2 F-F 1 4 L1500 LM	TUB.TR.1 4R2 F-F 1 4 L1500 LM
17	G19003560R	PIASTRA SCORRIMENTO SP.9,5	SLIDING PLATE SP9,5	PLAQUE GLISSEMENT SP.9,5	GLEITPLATTE SP9,5	PLACA DE DESPLAZAMIENTO SP9,5
18	G15210210R	SPINA 18 X90 ZN	PIN 18 X90 ZN			
19	G22505027R	SPINA	PIN	BROCHE	STIFT	CLAVIJA
20	G22505029R	BOCCOLA FORATA	PERFORATED BUSHING	BOITE PERCEE	GEOLOCHE BSCHSE	CASQUILLO PERFORADA
21	G22505030R	BOCCOLA	BUSHING	BOITE	BSCHSE	CASQUILLO
22	F03151216R	RACCORDO -T- CENTR.M-FG-M 1 4	UNION T M-M-F 1 4 ZN	RACCORD T M-M-F ZN	ANSCHLUSSTOSCK TM-M-F 1 4 ZN	UNION T M-M-F 1 4 ZN
23	G13811211R	TUBO X COLLEG. AL TRATTORE	PIPE FOR CONNECTION TO TRACTOR	TUBE POUR CONN. AU TRACTEUR	ROHR F. KUPPLUNG AM SCHLEPPER	TUBO P CONEXI N AL TRACTOR
24	F03150211R	NIPPLO MM CIL-CIL 1 2-1 4 ZN	NIPPLE MM CIL-CIL 1 4-1 2 ZN	NIPPLE MM 1 4-1 2 ZN	NIPPLE GG 1 4-1 2 ZN	NIPPLE MM 1 4-1 2 ZN
25	F02200229R	COPIGLIA 5X 45 U1336 ZN	SPLIT PIN 5X 45 U1336 ZN	GOUPILLE 5X 45 U1336 ZN	SPANNSTIFT 5X 45 U1336 ZN	PASADOR 5X 45 U1336 ZN
26	F02200229R	COPIGLIA 5X 45 U1336 ZN	SPLIT PIN 5X 45 U1336 ZN	GOUPILLE 5X 45 U1336 ZN	SPANNSTIFT 5X 45 U1336 ZN	PASADOR 5X 45 U1336 ZN
27	F05150325R	CAPPUC.F X INN.M RAP.1 2 ROSS	COVER CONNECT F 1 2 RED	COUVERCLE CONNEXION F 1 2 ROSE	DECKEL W 1 2 SCHNELLKUPP. ROT	PAC PROTECCION F 1 2 ROJO
28	G15210910R	DISTANZIALE CHIUSURA MTE	SPACER CLOSING MTE	ENTRETOISE FERMETURE MTE	DISTANZSTOSCK SCHLIESSUNG MTE	DISTANCIADOR CIERRE MTE
29	F03151194R	PROLUNGA CORTA 1 4 L.36	SHORT EXTENSION 1 4 L.36	RALLONGE COURTE 1 4 L.36	KURZE VERLZNGERUNG 1 4 L.36	PROLONG. CORTA 1 4 L.36
30	F03100181R	KIT GUARNIZ.CILINDRO 15112630	KIT O-RING CYLINDER 15112630	KIT GARNIT. CYLINDRE 15112630	KIT DICHT.OR ZYLINDER15112630	SET JUNTA OR CILINDRO15112630
31	G67004010R	SUPP.CON ROTULA CAT.1 D.22,1	SUPP. WITH JOINT CHAIN 1 D.22.	SUPP.AVEC ROTULE CAT.1 D.22,1	HALTERUNG MIT GELENK KETTE 1	SOP. CON R TULA CAD.1 D.22,1
32	G15213660R	MONT.TAPPO TELAIO 150X150	ASS.PLUG-FRAME 150X150			
33	F03150935R	INNESTO RAP.MASCH.1 2 A VALV.	QUICK CONNECT MALE CONE 1 2	CONNEXION RAPIDE MALE CONE 1 2	SCHNELLKUPP.GEWINDE KONISC 1 2	ACOPLAMIENTO.RAP.MACHO CONO 1 2
34	F05010359R	PASSAPARETE 1 4M-1 4M	PASS WALL 1 4M -1 4M			
35	F03151370R	RONDELLA BONDED SEAL 1 2 NBR	WASHER BONDED SEAL 1 2 NBR			
36	F03151414R	RONDELLA BONDED SEAL 1 4 NBR	WASHER BONDED SEAL 1 4 NBR			
37	F03150266R	NIPPLO MM CIL-CIL 1 4-1 4 ZN	NIPPLE CYL.MALE 1 4 GALV.	NIPPLE MALE CYL. 1 4 ZN	NIPPELZYL.1 4 ZN	NIPLE MACHO CIL.1 4 ZN

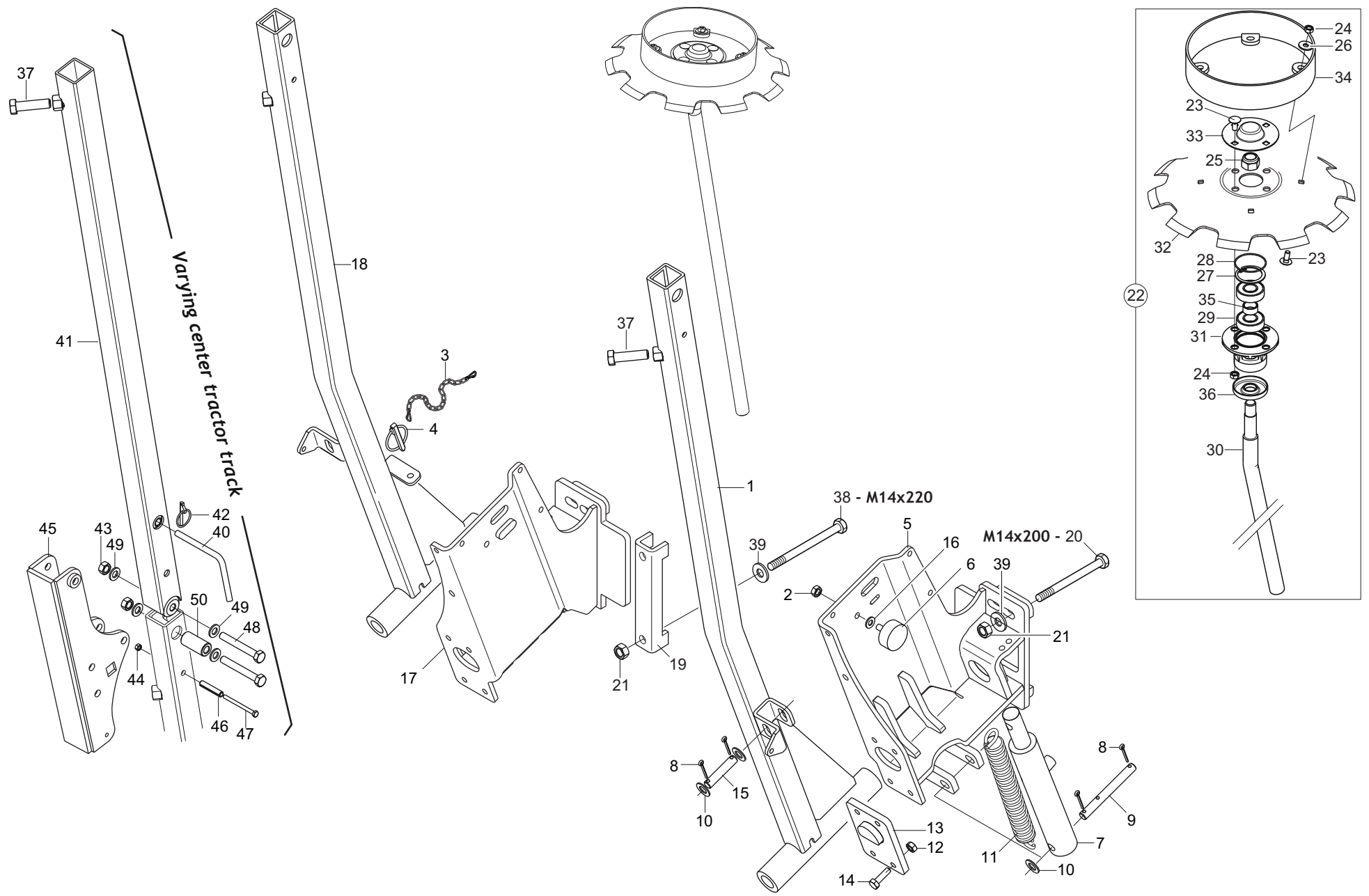
MTE 300



**TELAIO «MTE 300»
FRAME «MTE 300»**

TAV. 030

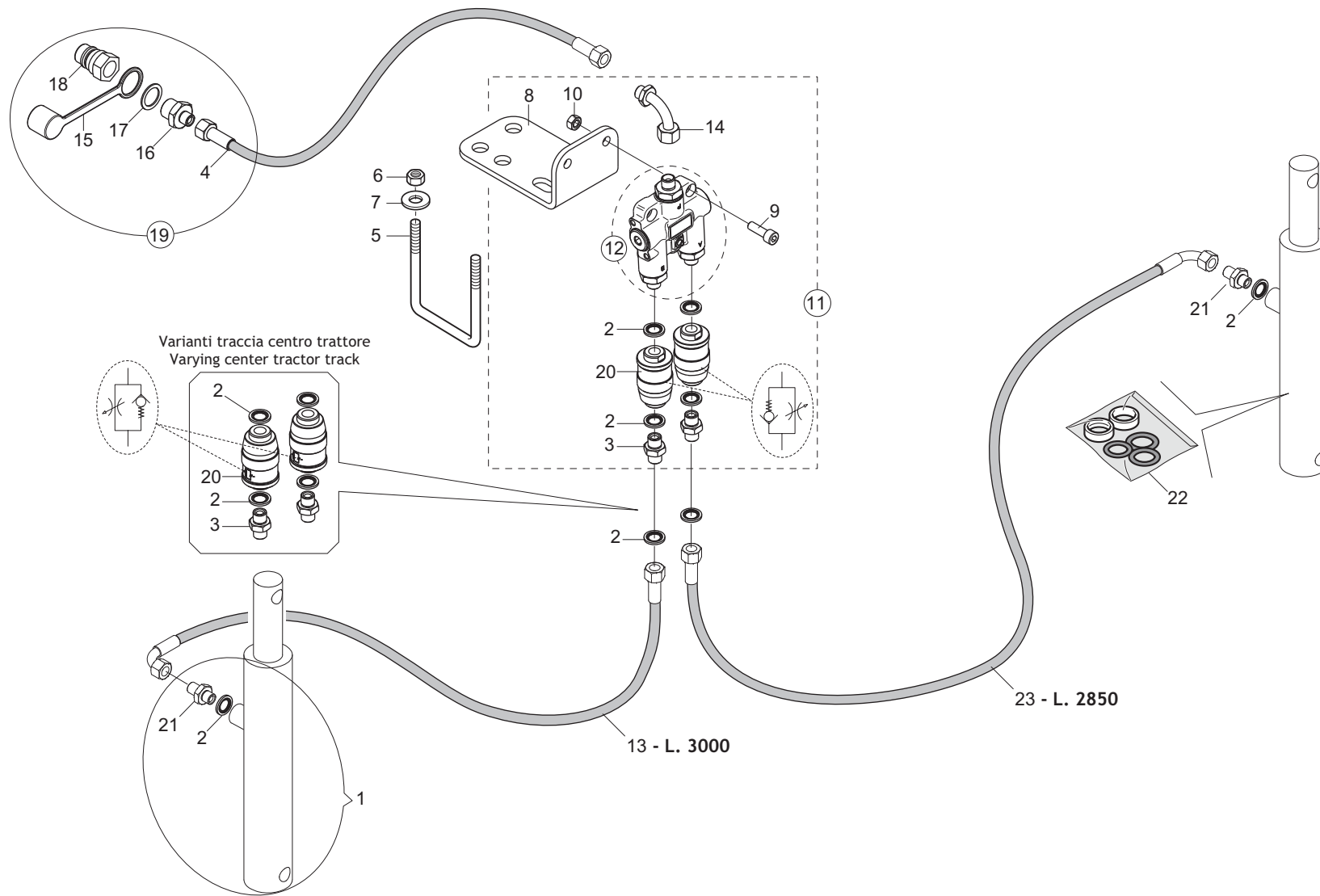
Pos.	Cod.	Descrizione	Description	Description	Benennung	Description
1	G19003570R	PIASTRA SCORRIMENTO SP.11	SLIDING PLATE SP.11	PLAQUE GLISSEMENT SP.11	GLEITPLATTE SP.11	PLACA DE DESPLAZAMIENTO SP.11
2	G15211080R	TELAIO CENTRALE MTE	FRAME CENTRAL MTE	BATI CENTR. MTE	MITTELRAHMEN MTE	BASTIDOR CENTRAL MTE
3	G15110292R	SECONDO TUBO TELESOPICO DX	TELESCOPIC FRAME INT.RIGHT	BATI TELESCOPIQUE INT. DRT.	INNERER RECHTER TELESKOPRAHMEN	BASTIDOR TELESCOPICO INT.DER.
4	G15110302R	SECONDO TUBO TELESOPICO SX	LEFT 2ND TELESCOPIC TUBE	DEUXIEME TUBE TELESCOPIQUE GCH	ZWEITER TELESKOPRAHMEN LINKS	SEGUNDO TUBO TELESCOPICO IZQ.
5	G15110352R	TERZO TUBO TELESOPICO	THIRD TELESCOPIC TUBE	TROISIEME TUBE TELESCOPIQUE	DRITTES TELESKOPISCHES ROHR	TERCER TUBO TELESCOPICO
6	G15110991R	ASSE LATERALE PISTONI ZN	SIDE SPINDLE PISTONS ZN	AXEL LATERAL PISTON ZN	SEITENACHSE KOLBEN ZN	EJE LATERAL PISTONES ZN
7	G15211280R	REGOLAZIONE 2 TUBO MTE300	2. TUBE REGULATION MTE300	REGLAGE 2. TUBE MTE300	EINSTELLUNG 2. ROHR MTE300	REGULACI N 2.TUBO MTE300
8	G15211290R	REGOLAZIONE 3 TUBO MTE300	3. TUBE REGULATION MTE300	REGLAGE 3. TUBE MTE300	EINSTELLUNG 3. ROHR MTE300	REGULACI N 3.TUBO MTE300
9	G19003560R	PIASTRA SCORRIMENTO SP.9,5	SLIDING PLATE SP9,5	PLAQUE GLISSEMENT SP.9,5	GLEITPLATTE SP9,5	PLACA DE DESPLAZAMIENTO SP9,5
10	G19003590R	PIASTRA SCORRIMENTO SP.9	SLIDING PLATE SP.9	PLAQUE GLISSEMENT SP.9	GLEITPLATTE SP.9	PLACA DE DESPLAZAMIENTO SP.9
11	F03151414R	RONDELLA BONDED SEAL 1 4 NBR	WASHER BONDED SEAL 1 4 NBR			
12	G15112630R	CILINDRO 30X50 -875	CYLINDER 30X50 -875	CYLINDRE 30X50 -875	ZYLINDER 30X50 -875	CILINDRO 30X50 -875
13	F05010359R	PASSAPARETE 1 4M-1 4M	PASS WALL 1 4M -1 4M			
14	F03151370R	RONDELLA BONDED SEAL 1 2 NBR	WASHER BONDED SEAL 1 2 NBR			
15	G18701770R	RONDELLA 50 X90 X0,5	WASHER 50 X90 X0,5	RONDELLE 50 X90 X0,5	UNTERLEGSCHIEBE 50 X90 X0,5	ARANDELA 50 X90 X0,5
16	G15213660R	MONT.TAPPO TELAIO 150X150	ASS.PLUG-FRAME 150X150			
17	G20980094R	BOCCOLA 18,25X25X18	BUSHING 18,25X25X18	BOITE 18,25X25X18	BSCHE 18,25X25X18	CASQUILLO 18,25X25X18
18	G22500018R	BOCCOLA PERNO EST.CILINDRO	BUSHING CYLIND. OUTER PIN	BOITE PIVOT EXT. CYLINDRE	BSCHE AUSSEN BOLZEN ZYLINDER	CASQUILLO ESPIGA EXT. CILINDRO
19	G22500019R	BOCCOLA FERMO PERNO EST.CIL.	CYLIND. OUTER PIN STOP BUSHING	BOITE ARRET PIVOT EXT. CYL.	ANSCHLAGBSCHSE AUSSEN BOLZ. ZYL	CASQUILLO BLOQUEO ESPIGA EXT.C
20	G22500022R	TUBO 1 4 R2 C-C MT.1,00	PIPE 1 4 R1 C-C MT.1-00	TUBE 1 4 R1 C-C M. 1-00	ROHR 1 4 R1 C-C M 1-00	TUBO 1 4 R1 C-C MT.1-00
21	G15113000R	SUPPORTO TUBI IDRAULICI	PIPE SUPPORT	SUPPORT TUBES	ROHRHALTERUNG	SOPORTE TUBOS
22	G22500024R	TUBO 1 4 R2 C-F MT.0,60	PIPE 1 4 R1 C-F MT.0-60	TUBE 1 4 R1 C-F M. 0-60	ROHR 1 4 R1 C-F M 0-60	TUBO 1 4 R1 C-F MT.0-60
23	G22500025R	PERNO CENTRALE CILINDRI	PIN- CYLINDER CENTRAL	PIVOT CENTR. CYLINDRES	MITTELZAPFEN ZYLINDER	PERNO CENTRAL CILINDROS
24	G22270463R	TUB.TR.1 4R2 F-F 1 4 L1500 LM	TUBE TR.1 4R2 F-F 1 4 L1500 LM	TUB.TR.1 4R2 F-F 1 4 L1500 LM	ROHR1 4R2 F-F 1 4 L1500 LM	TUB.TR.1 4R2 F-F 1 4 L1500 LM
25	G18701940R	RONDELLA 50 X90 X0,2	WASHER 50 X90 X0,2	RONDELLE 50 X90 X0,2	UNTERLEGSCHIEBE 50 X90 X0,2	ARANDELA 50 X90 X0,2
26	G15210210R	SPINA 18 X90 ZN	PIN 18 X90 ZN			
27	G22505027R	SPINA	PIN	BROCHE	STIFT	CLAVIJA
28	F03151216R	RACCORDO -T- CENTR.M-FG-M 1 4	UNION T M-M-F 1 4 ZN	RACCOR T M-M-F ZN	ANSCHLUSSTSCCK TM-M-F 1 4 ZN	UNI N T M-M-F 1 4 ZN
29	F05150325R	CAPPUC.F X INN.M RAP.1 2 ROSS	COVER CONNECT F 1 2 RED	COUVERCLE CONNEXION F 1 2 ROSE	DECKEL W 1 2 SCHNELLKUPP. ROT	PAC PROTECCION F 1 2 ROJO
30	G13811211R	TUBO X COLLEG. AL TRATTORE	PIPE FOR CONNECTION TO TRACTOR	TUBE POUR CONN. AU TRACTEUR	ROHR F. KUPPLUNG AM SCHLEPPER	TUBO P CONEXI N AL TRACTOR
31	F03151194R	PROLUNGA CORTA 1 4 L.36	SHORT EXTENSION 1 4 L.36	RALLONGE COURTE 1 4 L.36	KURZE VERLZNGERUNG 1 4 L.36	PROLONG. CORTA 1 4 L.36
32	G15112650R	PROLUNGA PISTONE	PISTON EXTENSION	RALLONGE PISTON	VERLZNGERUNG KOLBEN	PROLONGACI N PIST N
33	F02200227R	COPIGLIA 5 X30 1336 ZN	PIN 5X 30 U1336 ZN			
34	F02200229R	COPIGLIA 5X 45 U1336 ZN	SPLIT PIN 5X 45 U1336 ZN	GOUPILLE 5X 45 U1336 ZN	SPANNSTIFT 5X 45 U1336 ZN	PASADOR 5X 45 U1336 ZN
35	F03150211R	NIPPLO MM CIL-CIL 1 2-1 4 ZN	NIPLE MM CIL-CIL 1 4-1 2 ZN	NIPLE MM 1 4-1 2 ZN	NIPLE GG 1 4-1 2 ZN	NIPLE MM 1 4-1 2 ZN
36	G15211091R	DISTANZIALE CHIUSURA MTE300	MTE300 CLOSING SPACER			
37	F03150266R	NIPPLO MM CIL-CIL 1 4-1 4 ZN	NIPPLE CYL.MALE 1 4 GALV.	NIPPLE MALE CYL. 1 4 ZN	NIPPELZYL.1 4 ZN	NIPLE MACHO CIL.1 4 ZN
38	F03100181R	KIT GUARNIZ.CILINDRO 15112630	KIT O-RING CYLINDER 15112630	KIT GARNIT. CYLINDRE 15112630	KIT DICHT.OR ZYLINDER15112630	SET JUNTA OR CILINDRO15112630
39	G67004010R	SUPP.CON ROTULA CAT.1 D.22,1	SUPP. WITH JOINT CHAIN 1 D.22.	SUPP.AVEC ROTULE CAT.1 D.22,1	HALTERUNG MIT GELENK KETTE 1	SOP. CON R TULA CAD.1 D.22,1
40	F03150935R	INNESTO RAP.MASCH.1 2 A VALV.	QUICK CONNECT MALE CONE 1 2	CONNEXION RAPIDE MALE CONE 1 2	SCHNELLKUPP.GEWINDE KONISC 1 2	ACOPLAMIEN.T.RAP.MACHO CONO 1 2



**SEGNAFI LE (WRM / CRM)
ROW MARKER (WRM / CRM)**

TAV. 040

Pos.	Cod.	Descrizione	Description	Description	Benennung	Descripcion
1	G15212750R	BRACCIO SEGNAFILE SX	ROW MARKER ARM LEFT			
2	F01230048R	DADO M10X1,5 D982 8ZN	NUT M10X1,5 D982 8ZN	ECR.AUTO-FREIN.M10X1,5 D982 ZN	SICHERUNGSMUTT.M10X1,5 D982 ZN	TUERCA SEGURID.M10X1,5 D982 ZN
3	G13812311R	CATENELLA CON MOSCHETTONE	CHAIN WITH SPRING CATCH	CHAINETTE AVEC MOUSQUETON	KETTE MIT KARABINERHAKEN	CADENA CON GANCHO
4	F02200507R	SPINAA SCATTO D 9 B 83	SNAP PIN D9 B 83 ZN	FICHE A DETENTE D9 B 83 ZN	EINRASTSTIFT D9 B 83 ZN	CLAVIJA DE MUELLE D9 B 83 ZN
5	G15213750R	SUPPORTO SEGNAFILE SX	LEFT ROWMARKER SUPPORT			
6	F05150460R	PARACOLPI CIL.D50X21 M10X26,5	RUBBER BUFFER- CYLINDR.D50X21	PARE-CHOCS CYL. D50X21	PUFFER ZYL.50X21	PARAGOLPES CIL.D50X21
7	G14217360R	CILINDRO SEGNAF.30X40-155	ROWMARKER CYLINDER.D.30X40-155	CYLINDRE TRACEUR 30X40-155	ZYLINDER SPURREISSER.30X40-155	CILINDRO MARC.FILAS 35X40-155
8	F02200194R	COPIGLIA 4X 25 U1336 ZN	SPLIT PIN 4 X25 1336 GALVAN.	GOUPILLE 4 X25 1336 ZN	SPLINT 4 X25 1336 ZN	PASADOR 4 X25 1336 ZN
9	G15413020R	SPINA 15X120 ZN	GALVANIZED PIN 15X120	GOUPILLE 15X120 ZN	STIFT 15X120 ZN	CLAVIJA 15X120 ZN
10	F01410100R	ROS.M16 17X 30X 3 U6592 ZN	WASHER M16 17X30X3 U6592 ZN	RONDELLE M16 17X30X3 ZN	SCHRAUBE M16 17X 30X3 U6592 ZN	ARANDELA M16 17X30X 3 U6592 ZN
11	G65337004R	MOLLA TRAZ.SOLLEV. FU	TRACTION SPRING LIFT. FU	RESSORT TRACT. LEVAGE FU	ZUGFEDER HEBUNG FU	MUELLE TRAC. LEVDEL. FU
12	F01200270R	DADO M10X1,5 U5588 CL8 ZN	NUT M10X1,5 U5588 6.8ZN	ECROU M10X 1,5 U5588 6.8 ZN	MUTTER M10X 1,5 U5588 6.8 ZN	TUERCA M10X 1,5 U5588 6.8 ZN
13	G15212791R	PIASTRA POSTERIORE	REAR PLATE			
14	F01020479R	VITE M10X1,5X35 U5739 8.8ZN	SCR. M10X1,5X35 U5739 8.8ZN	VIS M10X1,5X35 U5739 8.8 ZN	SCHR. M10X1,5X35 U5739 8.8 ZN	TORN. M10X1,5X35 U5739 8.8 ZN
15	G15413010R	SPINA 15X62 ZN	PIN 15X62 ZN	GOUPILLE 15X62 ZN	BOLZENSTIFT 15X62 ZN	PASADOR 15X62 ZN
16	F01420060R	ROS.M10 10,5X 30X2,5 U6593 ZG	GALV.WASHER 10,5X30X2,5 U6593	RONDELLE 10,5X30	SCHEIBE 10,5X30	ARANDELA 10,5X30
17	G15213740R	SUPPORTO SEGNAFILE DX	RIGHT ROWMARKER SUPPORT			
18	G15212760R	BRACCIO SEGNAFILE DX	ROW MARKER ARM RIGHT			
19	G15110091R	SCONTRO A U	CONTRA U	BRIDE 150 MM	ANSCHLAG	ELEMENTO DE EMPALME
20	F01020233R	VITE M14X2X200 U5737 8.8BR	SCR. M14X2X200 U5737 8.8BR	VIS M14X2X 200 U5737 8.8 ZB	SCHRAUBE M14X 2X200 U5737 8.8	TORNILLO M14X2X200 5737 8.8 ZB
21	F01200306R	DADO M14X2 U5588 CL8 ZN	NUT M14X2 U5588 6.8ZN	ECROU M14X2	MUTTER M14X2	DADO M14X2
22	G17312700R	MONT.DISCO SEGN.D.350	ROWMARKER DISK D.350			
23	F01060041R	VITE M8X1,25X25 U5731 8.8ZN	SCR. M8X1,25X25 U5732 4.6ZN	VIS 8 X25 5732 4.6 ZN	SCHRAUBE 8 X25 5732 4.6 ZN	TORNILLO 8 X25 5732 4.6 ZN
24	F01200244R	DADO M8X1,25 U5588 CL8 ZN	NUT M8X1,25 U5588 6.8ZN	ECROU M8 X1,25 U5588 6.8 ZN	MUTTER M8 X1,25 U5588 6.8 ZN	TUERCA M8 X1,25 U5588 6.8 ZN
25	F01230098R	DADO M18X2,5 D982 8 ZN	NUT M18X2,5 D982 8 ZN	ECROU M18X 2,5 D982 8 ZN	MUTTER M18X 2,5 D982 8 ZN	TUERCA M18X 2,5 D982 8 ZN
26	F01420048R	ROS.M8 8,4X 24X 2 U6593 ZN	WASHER M8 8,4X 24X2 U6593 ZN	RONDELLE M8 8,4X24X 2 U6593 ZN	SCHEIBEN M8 8,4X24X 2 U6593 ZN	ARANDELA M8 8,4X 24X2 U6593 ZN
27	F02050370R	ANELLO E. DI 47X1,75 U7437 C70	SEEGER RING 47X 1,75 U7437 C70	SEEGER E. 47X 1,75 U7437 C70	SEEGERING E. 47X1,75 U7437 C70	ANILLO E. 47X 1,75 U7437 C70
28	F03010576R	ANELLO OR 50,52X1,78 NBR	GASKET OR 50,52X1,78 NBR	BAGUE OR 50,52X1,78 NBR	RING OR 50,52X1,78 NBR	ANILLO OR 50,52X1,78 NBR
29	F04010156R	CUSC. D20 D47 B14 6204 2RSH	BEARING D20 D47 B14 6204 2RSH	ROULEMENTD20 D47 B14		
30	G15111311R	PERNO SEGNAFILE	ROWMARKER PIN			
31	G16610160R	SUPP.CUSCINETTI DISCO SEGN.ZN.	GALVAN. ROWMARKER DISK BEARING	SUPPORT ROULEMENTS DISQUE TRAC	SCHEIBENLAGERHALTERUNG	SOPORTE COJINETE DE DISCO MARC
32	G16072590R	DISCO SEGNAFILE D.350	ROW-MARKER DISK D.350			
33	G16610190R	CHIUSURA CUSCINETTO ZN	END BEARING ZN			
34	G16610210R	ASS.LIMITATORE PROFONDITA	LIMITER DEPTH COUPLYNG	GR. ASS. LIMITEUR DE PROFONDEU	TIEFENBEGRENZERKOMPLEX	CONJ. LIMITADOR DE PROFUNDIDAD
35	G18801270R	BOCCOLA 21 X25 X12 ZN B.	BUSHING 21 X25 X12 ZN			
36	G16610431R	FONDELLO ZN	BOTTOM GALV.ED			
37	F01020254R	VITE M16X2X55 U5737 10.9ZD	SCR. M16X2X55 U5737 10.9ZD			
38	F01020236R	VITE M14X2X220 U5737 8.8BR	SCR. M14X2X220 U5737 8.8BR	VIS M14X2X220 U5737 8.8 BR	SCHRAUBE M14X2X220 U5737 8.8	TORNILLO M14X2X220 U5737 8.8
39	G20970142R	RONDELLA 32X4X15,5	WASHER 32X4X15-5	RONDELLE 32X4X15-5	UNTERLEGSCHIEBE 32X4X15-5	ARANDELA 32X4X15-5
40	G14212010R	CHIAVISTELLO PUNTELLO PIEGH.ZN	PROP LATCH ZN			
41	G15212811R	TUBO ESTERNO	OUTER TUBE			
42	F02200452R	SPINA SCATTO D.4.4 B 80 ZN	SNAP PIN D4.4 B 80 ZN	FICHE A DETENTE D4.4 B 80 ZN	EINRASTSTIFT D4.4 B 80 ZN	CLAVIJA DE MUELLE D4,4 B 80 ZN
43	F01220048R	DADO M12X1,75 D980 8ZN	NUT M12X1,75 D980 8ZN	ECROU M12X1,75 D980 8 ZN	SCHIEBE M12X1,75 D980 8 ZN	TUERCA M12X1,75 D980 8 ZN
44	F01220011R	DADO M6X1 D980 8ZN	NUT M6X1 D980 8ZN	ECROU M6X1 D980 8 ZN	MUTTER M6X1 D980 8 ZN	TUERCA M6X1 D980 8 ZN
45	G16311781R	SUPPORTO ROTAZ.TUBO SEGNAFILE	ROTATION SUPP.TUBE ROWMARKER			
46	F02100164R	SPINA E.P. 10X 50 U6873 C70 BR	PIN EL. 10X50 DIN 1481 *	GOUPILLE EL.10 X50 DIN 1481	SPANNSTIFT 10X50 DIN 1481	CLAVIJA EL.10 X50 DIN 1481
47	F01020048R	VITE M6X1X75 U5737 8.8ZN	SCR. M6X1X75 U5737 8.8ZN	VIS M6X1X75 U5737 8.8ZN	SCHRAU. M6X 1X 75 U5737 8.8 ZN	TORNI. M6X1X75 U5737 8.8ZN
48	F01020168R	VITE M12X1,75X90 U5737 8.8ZN	SCR. M12X1,75X90 U5737 8.8ZN	VIS M12X1,75X90 U5737 8.8 ZN	SCHRAB.M12X1,75X90 5737 8.8 ZN	TORNIL.M12X1,75X90 5737 8.8 ZN
49	F01420084R	ROS.M14 14,5X 36X 3 U6593 ZN	GALVANIZED WASHER 14 X36 X3	RONDELLE 14 X36 X3 ZN	UNTERLEGSCHIEBE 14 X36 X3 ZN	ARANDELA 14 X36 X3 ZN
50	G18803070R	BOCCOLA 12,5X25X52 ZN	BUSHING 25X12,5X52 GALVA	BOITE 25X12,5X52 ZN	BSCHSE 25X12,5X52 ZN	CASQUILLO 25X12,5X52 ZN

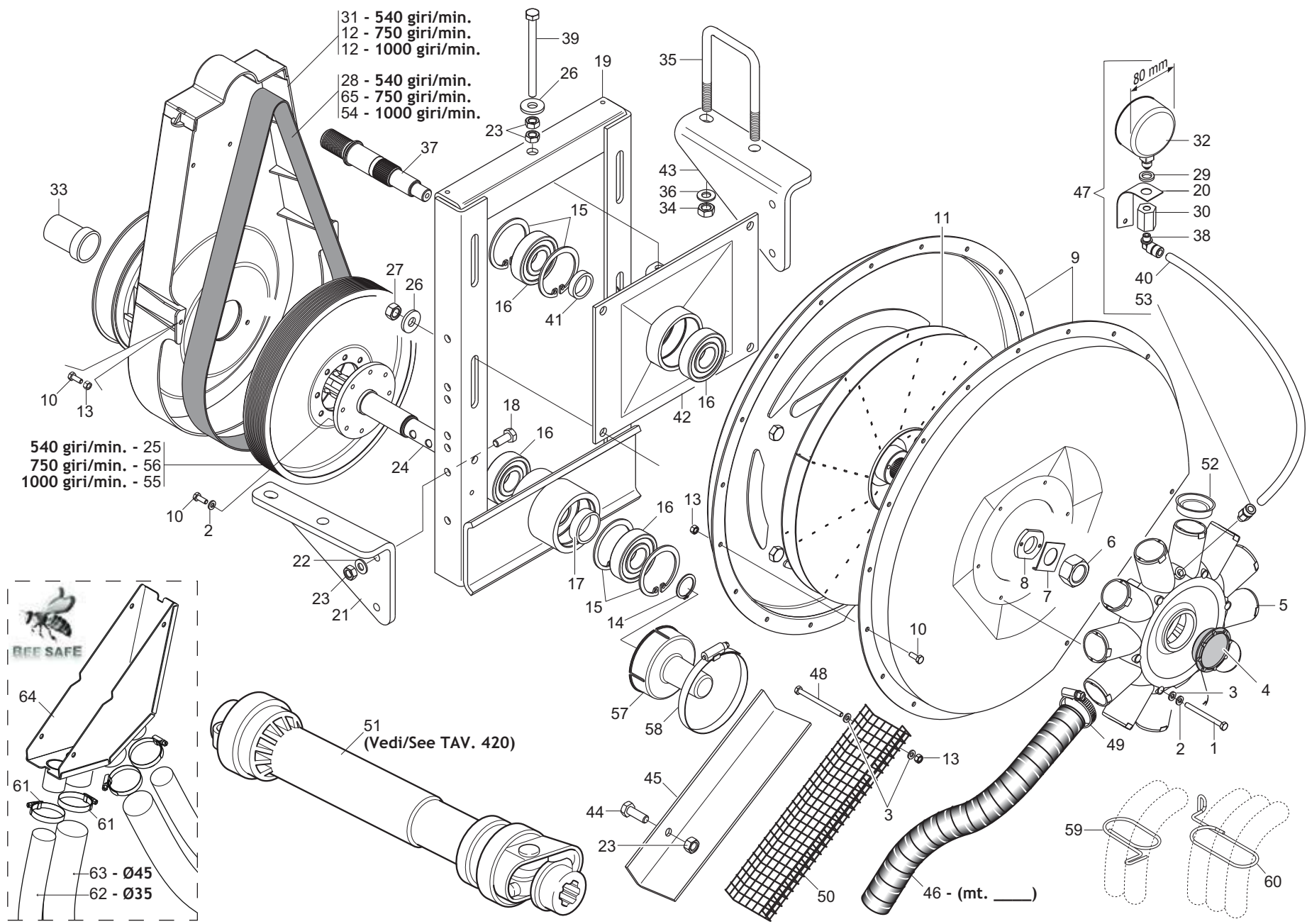


**IMPIANTO OLEODINAMICO SEGNAFILE
HYDRAULIC ROW MARKER SYSTEM**

TAV. 050

Pos.	Cod.	Descrizione	Description	Description	Benennung	Descripcion
1	G14217360R	CILINDRO SEGNAF.30X40-155	ROWMARKER CYLINDER.D.30X40-155	CYLINDRE TRACEUR 30X40-155	ZYLINDER SPURREISSER.30X40-155	CILINDRO MARC.FILAS 35X40-155
2	F03151414R	RONDELLA BONDED SEAL 1 4 NBR	WASHER BONDED SEAL 1 4 NBR			
3	F03150266R	NIPPLO MM CIL-CIL 1 4-1 4 ZN	NIPPLE CYL.MALE 1 4 GALV.	NIPPLE MALE CYL. 1 4 ZN	NIPPELZYL.1 4 ZN	NIPLE MACHO CIL.1 4 ZN
4	G22270463R	TUB.TR.1 4R2 F-F 1 4 L1500 LM	TUBE TR.1 4R2 F-F1 4 L1500 LM	TUB.TR.1 4R2 F-F 1 4 L1500 LM	ROHR1 4R2 F-F 1 4 L1500 LM	TUB.TR.1 4R2 F-F 1 4 L1500 LM
5	F20110770R	CAV.Q.B=80 M=14X2 L=119	U BOLT Q.B=80 M=14X2 L=119	BRIDE U M14X2X50 96X119 ZN	ANSCHLANG U M14X2X50 96X119 ZN	EL.DE EMPALME M14X2X50 96X119
6	F01200306R	DADO M14X2 U5588 CL8 ZN	NUT M14X2 U5588 6.8ZN	ECROU M14X2	MUTTER M14X2	DADO M14X2
7	G20970142R	RONDELLA 32X4X15,5	WASHER 32X4X15-5	RONDELLE 32X4X15-5	UNTERLEGSCHIEBE 32X4X15-5	ARANDELA 32X4X15-5
8	G15412351R	SUPPORTO VALVOLA	VALVE SUPPORT			
9	F01040501R	VITE M8X1,25X25 D7984 8.8ZN	SCREW M8X1,25X25 D7984 8.8ZN	VIS M8X1,25X25 D7984 8.8ZN	SCHRAU. M8X1,25X25 D7984 8.8ZN	TORN. M8X1,25X25 D7984 8.8ZN
10	F01200244R	DADO M8X1,25 U5588 CL8 ZN	NUT M8X1,25 U5588 6.8ZN	ECROU M8 X1,25 U5588 6.8 ZN	MUTTER M8 X1,25 U5588 6.8 ZN	TUERCA M8 X1,25 U5588 6.8 ZN
11	G16013820R	VALVOLA SEGNAFILE COMPL	ROWMARKER VALVE ASSY.	SOUPAPE TRACEUR COMPL.	KOMPL. SPURREISSERVENTIL	V-LVULA MARC. DE FILAS COMPL
12	G16611051R	MONT.VALVOLA SEGNAFILE BP	ROWMARKER VALVE ASSY.			
13	G15210631R	TUBO 1 4R2 CF1 4- F1 4 3000	PIPE 1 4R2 CF1 4- F1 4 3000	TUBE 1 4R2 CF1 4- F1 4 3000	ROHR 1 4R2 CF1 4- F1 4 3000	TUBO 1 4R2 CF1 4- F1 4 3000
14	F03150859R	CURVA 90 F.GIREV.1 4 - M.1 4	ELBOW 90 F.SLEWING 1 4 -M.1 4	COUDE 90 F.TOURN.1 4 - M.1 4	KNIESTSCK 90 F.DREHB.1 4 - M.	CURVA 90 F.GIRAT.1 4 - M.1 4
15	F05150325R	CAPPUC.F X INN.M RAP.1 2 ROSS	COVER CONNECT F 1 2 RED	COUVERCLE CONNEXION F 1 2 ROSE	DECKEL W 1 2 SCHNELLKUPP. ROT	PAC PROTECCION F 1 2 ROJO
16	F03150211R	NIPPLO MM CIL-CIL 1 2-1 4 ZN	NIPLE MM CIL-CIL 1 4-1 2 ZN	NIPLE MM 1 4-1 2 ZN	NIPLE GG 1 4-1 2 ZN	NIPLE MM 1 4-1 2 ZN
17	F03151370R	RONDELLA BONDED SEAL 1 2 NBR	WASHER BONDED SEAL 1 2 NBR			
18	F03150935R	INNESTO RAP.MASCH.1 2 A VALV.	QUICK CONNECT MALE CONE 1 2	CONNEXION RAPIDE MALE CONE 1 2	SCHNELLKUPP.GEWINDE KONISC 1 2	ACOPLAMIENT.RAP.MACHO CONO 1 2
19	G13811211R	TUBO X COLLEG. AL TRATTORE	PIPE FOR CONNECTION TO TRACTOR	TUBE POUR CONN. AU TRACTEUR	ROHR F. KUPPLUNG AM SCHLEPPER	TUBO P CONEXI N AL TRACTOR
20	F03151226R	REGOL.DI FLUSSO VRF 1 4 GAS	1 4 GAS VALVE VRF	SOUPAPE REG DEBIT VRF 1 4 GAZ	VENITL VRF 1 4 GAS	V LVULA VRF 1 4 GAS
21	G16011690R	MONT.NIPPLO 1 4 GRANO F.1,0	UPRIGHT 1 4 NIPPLE WITH GRUB	MONTANT NIPPLE 1 4 AVEC GRAIN	STZNDER NIPPEL 1 4 MIT STIFT 8	MONT.NIPLE 1 4 TORNIL.SIN CABE
22	F03100191R	KIT GUARNIZ.CILINDRO 15413110	CYLINDER SEAL KIT 15413110	KIT GARNIT. CYLINDRE 15413110	KIT ZYLINDERDICHTUNG 15413110	KIT JUNTA CILINDRO 15413110
23	G15210554R	TUBO 1 4R2 F1 4-CF1 4 2850	TUBE 1 4R2 F1 4-CF1 4 2850			

TAV. 060

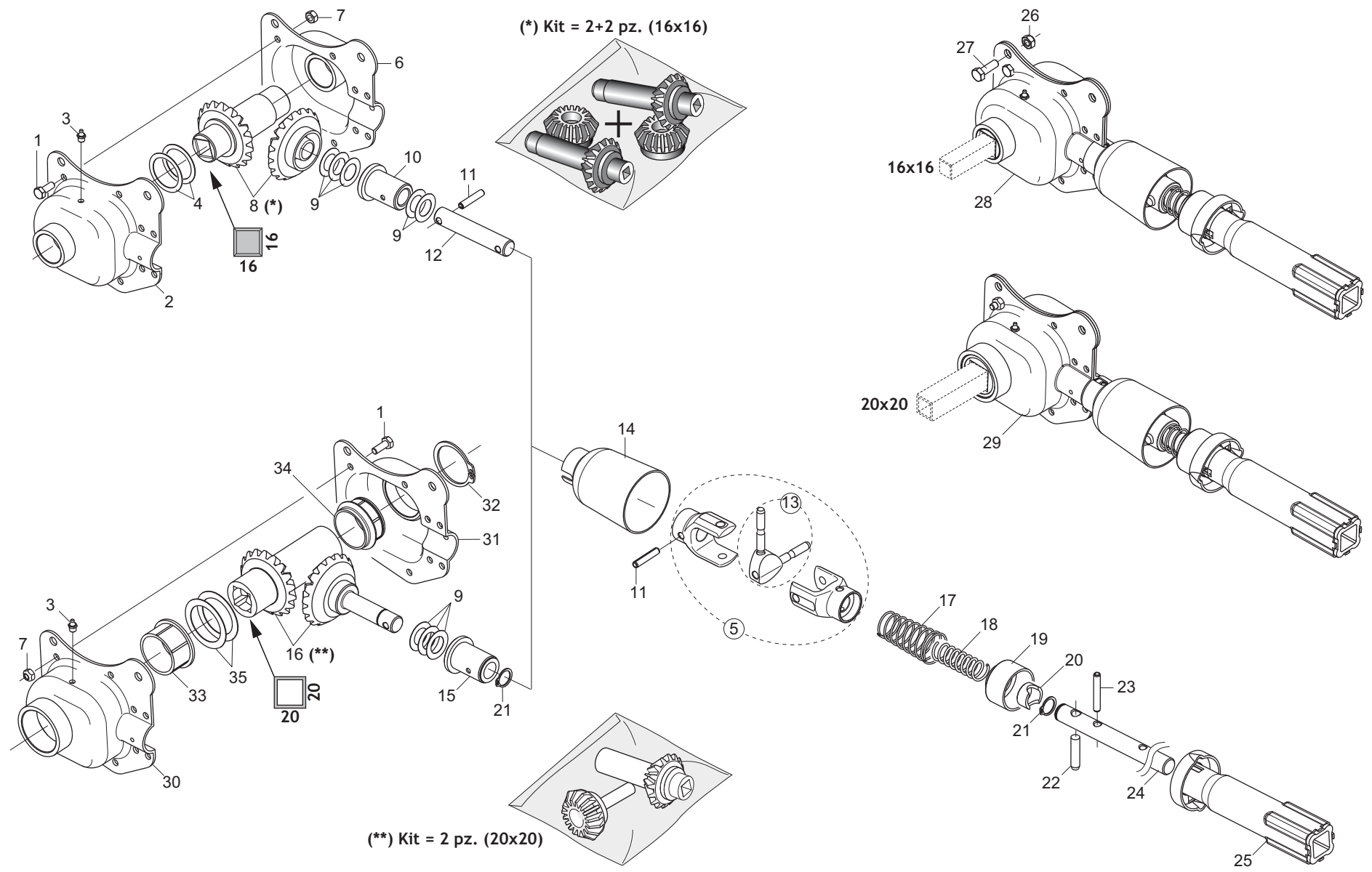


DEPRESSORE AIR PUMP

TAV. 060

Pos.	Cod.	Descrizione	Description	Description	Benennung	Descripcion
1	F01020047R	VITE M6X1X70 U5737 8.8ZN	SCR. M6X1X70 U5737 8.8ZN	VIS 6 X70 5737 8.G ZN	SCHRAUBE 6 X70 5737 8.G ZN	TORNILLO 6 X70 5737 8.G ZN
2	F01430047R	ROS.M6 6,4X 11X0,7 U8842J ZN	WASHER D6 DIN 6798 D.INT.GALV.	RONDELLE D6 DIN 6798 D. INT. Z	UNT. SCHEIBE D6 DIN 6798 D. IN	ARANDELA D6 DIN 6798 D.INT.ZN
3	F01420036R	ROS.M6 6,4X 18X1,5 U6593 ZN	WASHER M6 6,4X 18X1,5 U6593 ZN	RONDELLE M6 6,4X18X1,5 U6593ZN	SCHEIBEN M6 6,4X18X1,5U6593 ZN	ARANDELA M6 6,4X18X1,5U6593ZN
4	F03150722R	TAPPO 700 M52X2	M52 X 2 PLUG 700	BOUCHON M52 X 2	PFROPFEN M52 X 2	TAP N M52 X 2
5	F19004480R	CONVOGLIATORE 12 USCITE	CONVEYOR 12 OUTLETS	CONVOYEUR 12 SORTIES	TRICHTER MIT 12 AUSG-NGEN	TRANSPORTADOR 12 SALIDAS
6	F01230143R	DADO M24X2 D982 8ZN	NUT M24X2 D982 8ZN	ECROU M24X2 D982 8 ZN	MUTTER M24X2 D982 8 ZN	TUERCA M24X2 D982 8 ZN
7	G13912060R	PIASTRINA DI TENUTA	STOP PLATE	PLAQUETTE DE TENUE	DICHTPLZTTCHEN	PLACA DE RETENCI N
8	G13912050R	RONDELLA DI FERMO	STOP WASHER	RONDELLE DE BLOCAGE	FESTSTELLSCHEIBE	ARANDELLA DE BLOQUEO
9	G22230335R	INVOLUCRI DEPRESSORE	VACUUM PUMP CASINGS	ENVELOPPES DEPRESSEUR	HSLEN VAKUUMPUMPE	CAJAS BOMBA VAC O
10	F01020403R	VITE M6X1X16 U5739 8.8ZN	SCR. M6X1X16 U5739 8.8ZN	VIS M6X1X16 U5739 8.8 ZN	SCHRAUBE M6X1X16 U5739 8.8 ZN	TORNILLO M6X1X16 U5739 8.8 ZN
11	G22230015R	GIRANTE	ROTOR			
12	G15450500R	PROTEZIONE CINGHIA 1000 GIRI	BELT GUARD 1000 RPM	PROTECTION COURROIE 1000 TOURS	RIEMENSCHUTZ 1000 UMDR.	PROTECCI N CORREA 1000 REV.
13	F01220011R	DADO M6X1 D980 8ZN	NUT M6X1 D980 8ZN	ECROU M6X1 D980 8 ZN	MUTTER M6X1 D980 8 ZN	TUERCA M6X1 D980 8 ZN
14	F02050112R	ANELLO E.DE 30X 1,5 U7435 ZN	SEEEGER RING 30X 1,5 U7435 C70	SEEEGER E. 30 X 1,5 U7435 C70	SEEEGERING E. 30X 1,5 U7435 C70	ANILLO E. 30 X 1,5 U7435 C70
15	F02050403R	ANELLO E. DI 72X 2,5 U7437 C7	SEEEGER RING E.72X2,5 U7437 C70	SEEEGER E. 72X 2,5 U7437 C70	SEEEGERING E. 72X 2,5 U7437 C70	ANILLO E. 72X 2,5 U7437 C70
16	F04010215R	CUSC.D30 D72 B19 6306 2RSC3 EX	BEARING D30 D72 B19 6306 2RSC3	ROULEMENT	LAGER 6306 2RS C3	COJINETE 6306 2RS C3
17	G22230010R	DISTANZIALE CUSCINETTI	BEARING SPACER	ENTRETOISE PALIERS	DISTANZSTSCCK LAGER	DISTANCIADOR COJINETES
18	F01020476R	VITE M10X1,5X30 U5739 8.8ZN	SCR. M10X1,5X30 U5739 8.8ZN	VIS M10X1,5X30 U5739 8.8 ZN	SCHRAUBE M10X1,5X30U5739 8.8ZN	TORNIL.M10X1,5X30 U5739 8.8 ZN
19	G15850200R	INCASTELLATURA DEPRESSORE	DIFFUSION AIR PUMP FRAME	B-TI POMPE A D PRESSION	GESTELL VAKUUMPUMPE	ARMAZ N BOMBA VAC-O
20	G22270134R	SUPPORTO VACUOMETRO SP	VACUUM METER SUPPORT SP	SUPPORT VACUOMETRE SP	HALTERUNG VAKUUMMETER SP	SOPORTE VACU METRO SP
21	G15450061R	SUPPORTO SX	LEFT SUPPORT			
22	F01430023R	ROS.M10 10,5X 18X0,9 U8842J Z	WASHER D10 DIN 6798 D.INT.ZN	RONDELLE D10 DIN 6798 D. INT.	UNT. SCHEIBE D10 DIN 6798 D.IN	ARANDELA D10 DIN 6798 D.INT.ZN
23	F01200270R	DADO M10X1,5 U5588 CL8 ZN	NUT M10X1,5 U5588 6.8ZN	NUT M10X1,5 U5588 6.8 ZN	MUTTER M10X 1,5 U5588 6.8 ZN	TUERCA M10X 1,5 U5588 6.8 ZN
24	G10150101R	ASS.PRESA DI FORZA	POWER TAKE-OFF SHAFT			
25	G22230012R	PULEGGIA MOTRICE 540 GIRI	DRIVING PULLEY 540	POULIE MOTRICE 540T	ANTRIEBSSCHEIBE 540	POLEA MOTRIZ 540
26	G18700350R	RONDELLA 13 X32 X4 ZN	GROWER 13X32 ZN			
27	F01200293R	DADO M12X1,75 U5588 CL8 ZN	NUT M12X1,75 U5588 6S ZN	ECROU M12X1,75 U5588 6S ZN	MUTTER M12X1,75 U5588 6S ZN	TUERCA M12X1,75 U5588 6S ZN
28	F06010160R	CINGHIA POLY V 1287 J-16 GOLE	BELT POLY V 1287 J-16 CU GAT	COURROIE POLY V	BELT POLY J-16 1287 V GOLE	BANDA POLY V 1287 J-16 GOLE
29	F05150479R	ROND.APPOGGIO MANOMETRI SV	PRESSURE GAUGE REST WASHER	ROND. LOGEMENT MANOMETRES SV	STSTZSCHEIBE MANOMETER SV	ARAND. SOPORTE MANOMETROS SV
30	G22250274R	COLLEGAMENTO MANOMETRI SP-SV	PRESSURE GAUGE CONNECT. SP-SV	RACCORD MANOMETRES SP-SV	VERBINDUNG MANOMETER SP-SV	CONEXI N MAN METROS SP-SV
31	G15450342R	PROTEZ.CINGHIA DEPRES.COMPLETO	DEPRES. COMPL.PROTECTION BELT			
32	F03151288R	VACUOM.0-100 MBAR C.SM.INC.D8	VACUUM METER 0-100 MBAR C.SMOR	VACUOM.0-100 MBARS A SUPPO	VAKUUMMETER 0-100 MBAR M. DZMP	VACUM. 0-100 MBAR C.ATEN.INC.V
33	G19002131R	PROTEZIONE P.D.P.	PDP GUARD			
34	F01200306R	DADO M14X2 U5588 CL8 ZN	NUT M14X2 U5588 6.8ZN	ECROU M14X2	MUTTER M14X2	DADO M14X2
35	F20110770R	CAV.Q.B=80 M=14X2 L=119	U BOLT Q.B=80 M=14X2 L=119	BRIDE U M14X2X50 96X119 ZN	ANSCHLANG U M14X2X50 96X119 ZN	EL.DE EMPALME M14X2X50 96X119
36	G20970142R	RONDELLA 32X4X15,5	WASHER 32X4X15-5	RONDELLE 32X4X15-5	UNTERLEGSCHIEBE 32X4X15-5	ARANDELA 32X4X15-5
37	G15450390R	PULEGGIA CONDOTTA D.28	DRIVEN PULLEY D.28	POULIE ENTRAINEE D. 28	GETRIEBENE SCHEIBE D.28	POLEA CONDUCIDA D.28
38	F13010027R	RACC.SUPERAPIDO 90 1 8G-8	90 UNION STRAIGHT 1 8G-8			
39	G15450270R	VITE 10X130 8.8 FIL.60 ZN	GALVANIZ. BOLT 10X130 8.8 FIL	VIS 10X130 8.8 FIL.60 ZN	SCHRAUBE 10X130 8.8 GEW.60 ZN	TORNILLO 10X130 8.8 FIL.60 ZN
40	F13070005R	TUBO POLIURETANO 8-6 NERO	POLIURETHAN PIPE 8-6 BLACK			
41	G22230014R	DISTANZIALE	SPACER	ENTRETOISE	DISTANZSTSCCK	DISTANCIADOR
42	G15450091R	SUPPORTO PULEGGIA CONDOTTA	DRIVEN PULLEY SUPPORT	SUPPORT POULIE ENTRAINEE	HALTERUNG GETRIEBENE RIEMENSCH	SOPORTE POLEA CONDUCIDA
43	G15450051R	SUPPORTO DX	RIGHT SUPPORT			
44	F01020472R	VITE M10X1,5X25 U5739 8.8ZN	SCR. M10X1,5X25 U5739 8.8ZN	VIS M10X1,5X25 U5739 8.8 ZN	SCHRAUBE M10X1,5X25 U5739 8.8	TORNILLO 10X25 U5739 8.8 ZN
45	G15450280R	PROTEZIONE DEPRESSORE	VACUUM PUMP PROTECTION	PROTECTION DEPRESSEUR	SCHUTZ VAKUUMPUMPE	PROTECCI N BOMBA DE VAC O
46	F03100506R	TUBO EOLO PU D.45	TUBE EOLO PU D.45	TUBE EOLO PU D.45		
47	G22270093R	VACUOMETRO COMPL. SP LM	VACUUM METER ASSY. SP LM	VACUOMETRE COMPL. SP LM	KOMPL. VAKUUMMETER SP LM	VACU METRO COMPL. SP LM
48	F01020050R	VITE M6X1X80 U5737 8.8ZN	SCR. M6X1X80 U5737 8.8ZN	VIS 6 X80 5737 8.G ZN	SCHRAUBE 6 X80 5737 8.G ZN	TORNILLO 6 X80 5737 8.G ZN
49	F05150058R	FASCETTA POLYA. 7,8X550 NERA	POLYAM.CLAMP 7,8X550 BLACK	COLLIER DE SERRAGE 7,8X550NOIR	ROHRSCHELLE 7,8X550 SCHWARZ	ABRAZADERA APRET. 7,8X550 NEGR
50	G10150291R	GRIGLIA PROTEZIONE ZN	AIR PUMP PROTECT. GRID	GRILLE DE PROTECT.DISP. DEPRES	SCHUTZGITTER VAKUUMPUMPE	REJILLA DE PROTECCI N BOMBA VA
51	F08011711R	CARD. S10 0700F 112 112 1CAT	PTO SHAFT B1 Z6-Z6 L700			
52	F05050020R	TAPPO SALVAFIETTO D.39	CONVEYOR PLUG D.39	BOUCHON PROTEGE-FILET D. 39	GEWINDESCHUTZPFROPFEN D.39	TAP N GUARDARROSCA D.39
53	F13010028R	RACC.SUPERAPIDO DRITTO 1 8G-8	SUPERAP.RIGHT JUNCTION 1 8G-8			
54	F06010171R	CINGHIA POLY V 1051 J-16 GOLE	POLY-V BELT 1051 J-16 GROOVES			
55	G15450310R	PULEGGIA MOTRICE 1000 GIRI	DRIVING PULLEY 1000 REVS	POULIE MOTRICE 1000T	ANTRIEBSSCHEIBE 1000 UMDREHUNG	POLEA MOTRIZ 1000 REVOLUCIONES
56	G15250100R	PULEGGIA MOTRICE 750 GIRI	DRIVE PULLEY 750			
57	G19005570R	CUFFIA PROTEZIONE PTO	PROTECTION CAP PTO			
58	F02300025R	FASCETTA STRING. 90 110 H.12	HOSE CLAMP 90 110 H.12			
59	G18903852R	MOLLA GUIDA 2 TUBI D71 ZN	SPRING GUIDE 2 TUBES D71			
60	G18904590R	MOLLA GUIDA 3 TUBI D71 ZN	GUIDE SPRING 3 PIPE D71 ZN			
61	F02300020R	FASCETTA STRING. 32 50 H.9	HOSE CLAMP 32 50 H.9			
62	F03100500R	TUBO EOLO 35 PU	TUBE EOLO 35 PU	TUBE EOLO 35 PU		TUBO EOLO
63	F03100506R	TUBO EOLO PU D.45	TUBE EOLO PU D.45	TUBE EOLO PU D.45		
64	G15276370R	CONVOGLIATORE SOFF.2 2U 35-45	CONVEYOR BLOWER 2 2 OUT 35-45			
65	F06010165R	CINGHIA POLY V. 1092 J-16 GOLE	BELT POLY V. 1092 J-16 GOLE			

TAV. 070



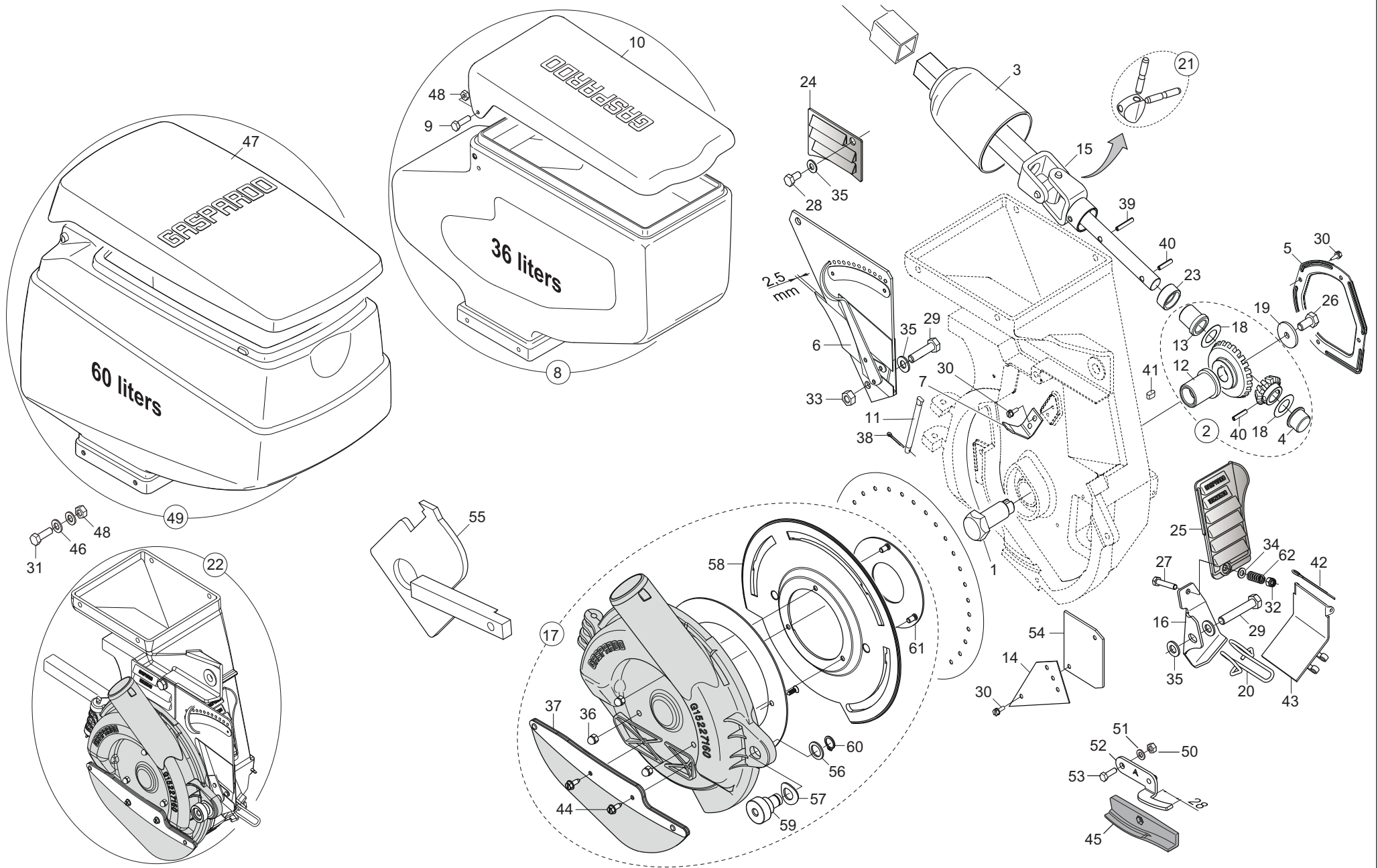
(*) Kit = 2+2 pz. (16x16)

(**) Kit = 2 pz. (20x20)

**SCATOLA DI RINVIO ELEMENTO
TRANSFER CASE ELEMENT**

TAV. 070

Pos.	Cod.	Descrizione	Description	Description	Benennung	Descripcion
1	F01020403R	VITE M6X1X16 U5739 8.8ZN	SCR. M6X1X16 U5739 8.8ZN	VIS M6X1X16 U5739 8.8 ZN	SCHRAUBE M6X1X16 U5739 8.8 ZN	TORNILLO M6X1X16 U5739 8.8 ZN
2	G22220103R	CONCHIGLIA SX	LEFT SHELL			
3	F01100011R	ING.M 6X1 7663-A 9SMNPB28 ZN	GREASE NIPPLE M6X1 7663-A ZN	GRAISS. A BILLE M6X1 7663A ZN	SCHMIERBUECHE M6X1 7663-A ZN	ENGRAS. DE ESFE. M6X1 7663-AZN
4	G18700510R	RONDELLA 32 X40 X0,6 ZN	GROWER 32 X 40 X 0,6 ZN			
5	G15423980R	FORCELLE SNODO ESCL.ELET.COMPL	COMPLETE FORK ELECTRIC SWITCH O			
6	G22220102R	CONCHIGLIA DX	RIGHT SHELL	COQUILLE DRT.	SCHALE RECHTS	MOLDE DER.
7	F01220011R	DADO M6X1 D980 8ZN	NUT M6X1 D980 8ZN	ECROU M6X1 D980 8 ZN	MUTTER M6X1 D980 8 ZN	TUERCA M6X1 D980 8 ZN
8	G22270389R	KIT INGR.SCATOLA DI RINVIO 2	KIT INTERM.TRANSM.GEAR BOX 2 2	COUPLE CON RENV ANGLE 2 2	2 2 ZAHNRZDER VORGELEGEGEHZUSE	2 2 ENGRANAJES CAJA DE LA TRAN
9	G22220073R	RONDELLA 28X0,3X16,5	WASHER 28X0-3X16-5	RONDELLE 28X0-3X16-5	UNTERLEGSSCHEIBE 28X0-3X16-5	ARANDELA 28X0-3X16-5
10	G66349001R	BOCCOLA	BUSHING	BOITE	B_CHSE	CASQUILLO
11	F02100114R	SPINA E.P. 6X 30 U6873 C70 BR	ELASTIC PIN 6X30	GOUJON ELASTIQUE 6X30	SPANNHUELSE 6X30	ESPINA ELASTICA 6X30
12	G22270452R	ALBERO SCATOLA RINVIO SP S	INTERMEDIATE BOX SHAFT	ARBRE TRANSMISSION SP S	WELLE VORGELEGEGEHZUSE SP S	RBOL CAJA DE TRANSMISI N SP S
13	G22270454R	CROCIERA COMPL. SP S	KIT SPIDER 2 ITEMS	CROSILLON COMPL.CARDAN TRANSM	GELENKKREUZ KOMPL. SP S	CRUCETA COMPL. SP S
14	G19002840R	COPRICARDANO SUPERIORE	TOP CARDAN JOINT COVER	COUVRE-CARDAN SUPERIEUR	OBERE KARDANABDECKUNG	CUBRECARD N SUPERIOR
15	G66349001R	BOCCOLA	BUSHING	BOITE	B_CHSE	CASQUILLO
16	G16621250R	KIT INGR.RINVIO ACC. Q.20 1 1	GEARS Q.20 1 1	KIT DE RENVOIE ACC.Q.20 1 1		KIT ENGRANAJES Q20 1 1
17	G65338039R	MOLLA COMP.ZN INNESTO SP	ZN COUPLING COMP. SPRING SP	RESSORT COMPL. ZN ACCOUPLEM.	DRUCKFEDER ZN KUPPLUNG SP	MUELLE COMP.ZN ACOPLAMIENTO SP
18	G65338018R	MOLLA COMP.ZN SCATOLA RINV.SP	TRANSM. BOX COMP. SPRING . SP	RESSORT COMPL. ZN TRANSMISSION	DRUCKFEDER ZN VORGELEGEGEHZUSE	MUELLE COMP.ZN CAJA TRANSFER..
19	G66248102R	ANELLO SICUREZZA SP	SAFETY RING	BAGUE SECURITE SP	SICHERHEITSRING SP	ANILLO DE SEGURIDAD SP
20	G22220105R	BOCCOLA DI SPINTA	THRUST BUSHING	BOITE DE POUSSEE	SCHUBBSCHSE	CASQUILLO DE APRIETE
21	F02050045R	ANELLO E. DE 16X 1 U7435 C70	SEEGER RING 16X 1 U7435 C70	BAGUE SEEGER 16 X 1 U7435 C70	SEEGERING 16 X 1 U7435 C70	ANILLO 16X 1 U7435 C70
22	G66248057R	SPINA DI SICUREZZA SP	SAFETY PIN SP	BROCHE PLASTIC SECURITE CARDAN	SICHERHEITSSTIFT SP	CLAVIJA DE SEGURIDAD SP
23	F02100121R	SPINA E.P. 6X 40 U6873 C70 BR	ELASTIC PIN 6X40	GOUJON ELASTIQUE 6X40	SPANNHUELSE 6X40	PASADOR 6X40
24	G17722540R	PERNO ZN.	PIN ZN.			
25	G17723020R	ASS.INNESTO REGINA	ASSY CLUTCH REGINA			
26	F01220022R	DADO M8X1,25 D980 8ZN	NUT M8X1,25 D980 8ZN	ECROU M8X 1,25 D980 8 ZN	MUTTER M8X 1,25 D980 8 ZN	TUERCA M8X 1,25 D980 8 ZN
27	F01020440R	VITE M8X1,25X25 U5739 8.8ZN	SCR. M8X1,25X25 U5739 8.8ZN	VIS M8X1,25X25 U5739 8.8 ZN	SCHRAUBE M8X1,25X25U5739 8.8ZN	TORNIL.M8X1,25X25 U5739 8.8 ZN
28	GA5220190R	SCATOLA RINVIO Q16 EL.MTR	DROP BOX Q16 EL.MTR			
29	G17723012R	SCATOLA RINVIO Q.20 EL.REGINA	GEAR BOX Q.20 REGINA			
30	G22505069R	CONCHIGLIA SX	LEFT SHELL	COQUILLE GCH.	SCHALE LINKS	MOLDE IZQ.
31	G16620880R	ASS.CONCHIGLIA DX	RIGHT SHELL ASSEMBLY			
32	F02050179R	ANELLO E. DE 42X1,75 U7435	COMPRESSION RING D.42	ANNEAU RESSORT D.42	RING D.42	ANILLO D.42
33	G19006590R	BOCCOLA INT.SCATOLA RINVIO	INT.BUSHING FOR TRANS.CASE			
34	G19006580R	BOCCOLA EST.SCATOLA RINVIO	EXT.BUSHING FOR TRANS.CASE			
35	G20970141R	RONDELLA 50X37X0,6	WASHER 50X37X0-6	RONDELLE 50X37X0-6	UNTERLEGSSCHEIBE 50X37X0-6	ARANDELA 50X37X0-6



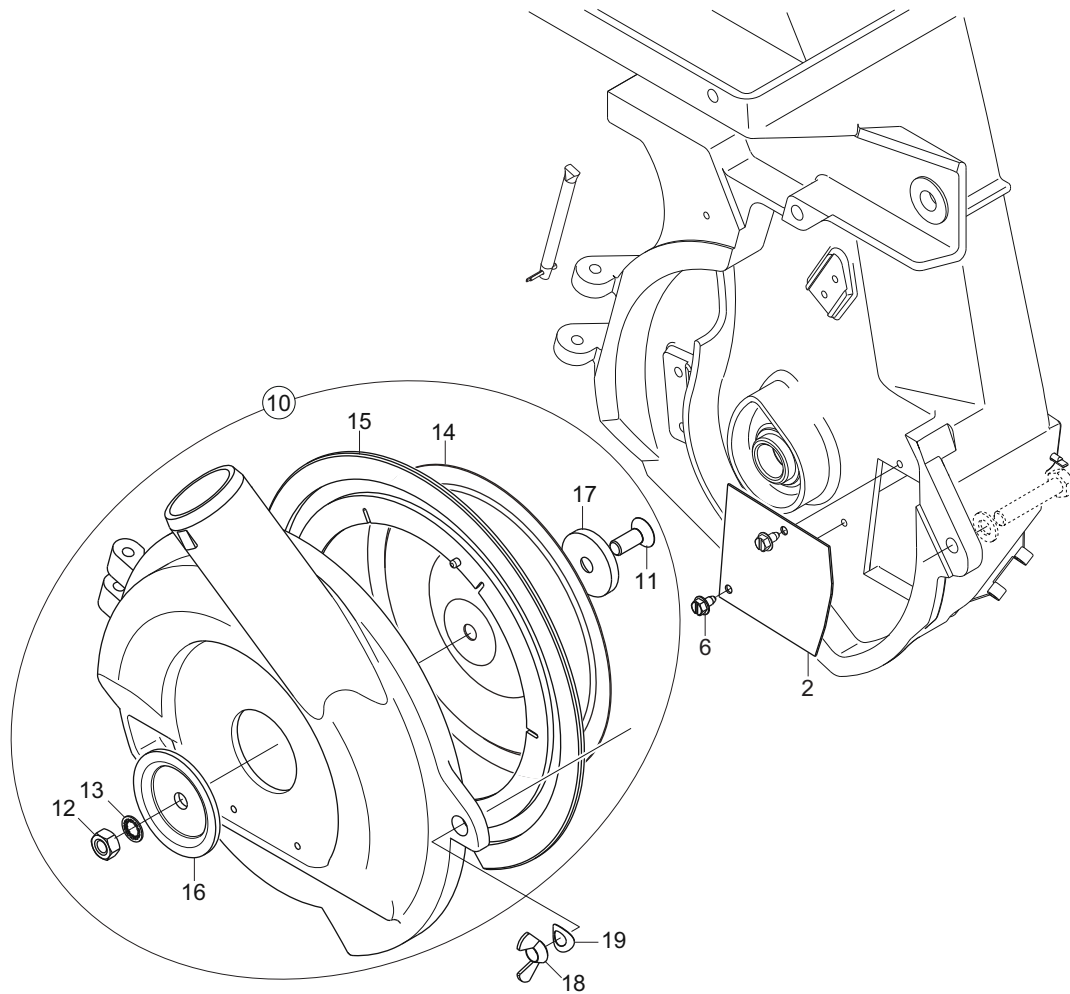
DISTRIBUTORE SEMI SEED DISTRIBUTOR

TAV. 080

Pos.	Cod.	Descrizione	Description	Description	Benennung	Descripcion
1	G22230046R	ASSE TRASMISSIONE DISCO	DISC GEAR AXLE	AXE ENTRAINEMENT DISQUE	ACHSE SCHEIBENANTRIEB	EJE TRANSMISI N DISCO
2	G22270390R	KIT COPPIA CONICA DISTRIB.SEMI	KIT- SEED DISTR. CONICAL PAIR	COUPLE CON DISTR GRAINES 2 2	KIT KEGELTRIEB SAMEN SZAPPARAT	SET PAR CONICO DISTRIB. SEMILL
3	G66248094R	COPRICARDANO SP	UNIVERSAL JOINT COVER SP	COUVRE-CARDAN SP	KARDANABDECKUNG SP	CUBRECARD N SP
4	G66349008R	BOCCOLA	BUSHING	BOITE	BSCHE	CASQUILLO
5	G22230035R	COPERCHIO SCATOLA INGRAN.	GEARWHEEL BOX COVER	COUVERCLE BOITE ENGRENAGE	DECKEL ZAHNRZDERGEHULSE	TAPA CAJA ENGRAN.
6	G22230040R	SELETTORE MOBILE COMPLETO	MOBILE SELECTOR ASSY.	SELECTEUR MOBILE COMPL.	KOMPL. BEWEGLICHER WZHLER	SELECTOR M VIL COMPLETO
7	G22230041R	SELETTORE FISSO	SELECTOR FIXED	SELECTEUR FIXE	FESTER WZHLER	SELECTOR FIJO
8	G15224471R	SERBATOIO SEME COMPLETO MT	SEED TANK ASSY. MT	RESERVOIR GRAINES COMPL PLA MT	SAMENBEHZLTER KOMPLETT MT	DEP SITO SEMILLAS COMPLETO MT
9	F01020403R	VITE M6X1X16 U5739 8.8ZN	SCR. M6X1X16 U5739 8.8ZN	VIS M6X1X16 U5739 8.8 ZN	SCHRAUBE M6X1X16 U5739 8.8 ZN	TORNILLO M6X1X16 U5739 8.8 ZN
10	F19002750R	COPERCHIO SERBATOIO SEME 530	SEED TANK COVER 530	COUVERCLE RES GRAINES 530-MT	SAMENBEHZLTERDECKEL 530	TAPA DEP SITO SEMILLA 530
11	G22230039R	PERNO COPERCHIO	COVER PIN	PIVOT COUVERCLE	DECKELZAPFEN	PERNO TAPA
12	G66349002R	BOCCOLA SINT.BASSOFONDO	BUSHING- SINTERED	BOITE FRITTEE	SYNTH. B CHSE	CASQUILLO SINT.
13	G22270071R	BOCCOLA COLL. SINTER.20X24	20X24 SINTERED COLLARED BUSH	BOITE COLLIER FRITTEE 20X24	ANSCHLÜSSBUECHSE SINTER.20X24	CASQUILLO CONEX. SINTER.20X24
14	G22270204R	PIASTRA ANTI TRABOCC.SEMI SP	SEED ANTI-OVERFLOW PLATE SP	PLAQUE ANTI-DEBORD.T GRAINES S	SAMENSBERLAUFPLATTE SP	PLACA ANTI DESBORDAMIENTO SEMI
15	G17722581R	ASSE PORTA PIGNONE L.165 COMPL	COMPL.PINION HOLDER SPINDLE			
16	G17722990R	FERMO MOLLA ZN DA G15421151	SPRING LOCK ZN DA G15421151			
17	GA5222440R	COPERCHIO DISTRIB.MTR PLA COMP	PLASTIC SEED COVER MTR COMPL.			
18	G22220073R	RONDELLA 28X0,3X16,5	WASHER 28X0-3X16-5	RONDELLE 28X0-3X16-5	UNTERLEGSSCHEIBE 28X0-3X16-5	ARANDELA 28X0-3X16-5
19	F19020037R	ROS.M6 6,4X 24X1,5 U6593 ZN	WASHER M6 6,4X24X1,5 U6593 ZN			
20	G18902951R	MOLLA SPEC.ZN SCARICO	SPEC SPRING ZN DISCHARGE	RESSORT TRAPPE VIDANGE	SPEZIALFEDER ZN ENTLADUNG	MUELLE ESPEC. ZN DESCARGA
21	G22270454R	CROCIERA COMPL. SP S	KIT SPIDER 2 ITEMS	CROSILLON COMPL CARDAN TRANSM	GELENKKREUZ KOMPL. SP S	CRUCETA COMPL. SP S
22	GA5222680R	CORPO DISTRIB.MTR PLA COMPL.	DISTRIBUTOR MTR PLA COMPLETE			
23	G66248219R	ANELLO PARAPOLVERE SP-520	DUST COVER RING	BAGUE PARE-POUSSIÈRE SP-520	STAUBSCHUTZRING SP-520	ANILLO GUARDAPOLVO SP-520
24	G16620540R	PORTA DI PROTEZIONE	SAFETY HATCH	PORTE DE PROTECTION	SCHUTZ FFNUNG	PUERTA DE PROTECCI N
25	G16620530R	PORTA DI CONTROLLO	INSPECTION DOOR	PORTE CONTROLE	KONTROLLTSR	PUERTA DE CONTROL
26	F01020403R	VITE M6X1X16 U5739 8.8ZN	SCR. M6X1X16 U5739 8.8ZN	VIS M6X1X16 U5739 8.8 ZN	SCHRAUBE M6X1X16 U5739 8.8 ZN	TORNILLO M6X1X16 U5739 8.8 ZN
27	F01020382R	VITE M5X0,8X25 U5739 8.8ZN	SCR. M5X0,8X25 U5739 8.8ZN	VIS 5 X25 5739 8.G ZN	SCHRAUBE 5 X25 5739 8.G ZN	TORNILLO 5 X25 5739 8.G ZN
28	F01020432R	VITE M8X1,25X16 U5739 8.8ZN	SCR. M8X1,25X16 U5739 8.8ZN	VIS M8 X1,25X16 U5739 8.8 ZN	SCHRAUBE M8X1,25X16U5739 8.8ZN	TORNILLO M8X1,25X16U5739 8.8ZN
29	F01020451R	VITE M8X1,25X45 U5739 8.8ZN	SCR. M8X1,25X45 U5739 8.8ZN	VIS M8X1,25X45 U5739 8.8ZN	SCHRA.M8X1,25X45 U5739 8.8ZN	TORN. M8X1,25X45 U5739 8.8ZN
30	F01070011R	VITE A4,2X1,41X9,5 U6950 4.8NI	SCR. H4,2X1,41X9,5 U6950 4.8NI	VIS AUTOTAR. 4-2X9-5 T. E. COU	SELBSTSCHNEID. SCHRAUBE 4-2X9-5	TORNILLO AUTORROSC. 4-2X9-5
31	F01020404R	VITE M6X1X20 U5739 8.8ZN	SCREW M6X1X20 U5739 8.8ZN	VIS M6X1X20 U5739 8.8ZN	SCHRAUBE M6X1X20 U5739 8.8ZN	TORNILLO M6X1X20 U5739 8.8ZN
32	F01230019R	DADO M5X0,8 D982 8ZN	NUT M5X0,8 D982 8ZN	ECROU AUTOB.NOR.5 ZN	SELBSTSP. MUTTER NOR.5 ZN	TUERCA AUTOB. NOR. 5 ZN
33	F01200244R	DADO M8X1,25 U5588 CL8 ZN	NUT M8X1,25 U5588 6.8ZN	ECROU M8 X1,25 U5588 6.8 ZN	MUTTER M8 X1,25 U5588 6.8 ZN	TUERCA M8 X1,25 U5588 6.8 ZN
34	F01410023R	RONDELLA D5 UNI 6592 ZN	WASHER M5 5,3X 10X 1 U6592			
35	F01410051R	ROS.M8 8,4X 17X1,6 U6592 ZN	WASHER M8 8,4X17X1,6 U6592 ZN	RONDELLE M8 8,4X17X1,6 ZN	SCHEIBE M8 8,4X17X1,6 U6592 ZN	ARANDELA M8 8,4X17X1,6 U6592ZN
36	F01260011R	DADO M5 U5721 5.8IX	NUT M5 U5721 5.8IX			
37	GA5222320R	PROTEZIONE MTR	PROTECTION MTR			
38	F02200137R	COPIGLIA 2X 15 U1336 IX	SPLIT PIN 2 X15 1336 GALVAN.	GOUPILLE 2 X15 1336 ZN	SPLINT 2 X15 1336 ZN	PASADOR 2 X15 1336 ZN
39	F02100079R	SPINA E.P. 5X20 U6873 C70 BR	PIN EL. 5X20 U6873 C70 BR			
40	F02100083R	SPINA E.P. 5X 24 U6873 C70 BR	PIN EL. 5 X24 DIN 1481	FICHE EL. 5 X24 DIN 1481	SPANNSTIFT 5 X24 DIN 1481	CLAVIJA EL.5 X24 DIN 1481
41	F02150012R	LINGUETTA 05X5X10 UNI6604	PARALLEL KEY 5X 5X 10 U6604A			
42	F02200200R	COPIGLIA 4X 70 U1336 ZN	SPLIT PIN 4 X70 1336 GALVAN.	GOUPILLE 4 X70 1336 ZN	SPLINT 4 X70 1336 ZN	PASADOR 4 X70 1336 ZN
43	G15421870R	PORTA DI SCARICO DISTRIBUTORE	DISTRIBUTOR DISCHARGE DOOR	PORTE DE DECHARGEMENT DISTRIB,	ENTLADUNGSTSR SZAPPARAT	PUERTA DESCARGA DISTRIBUIDOR
44	F01070081R	VITE A4,2X1,41X13 U6950 A2IX	SCR. H4,2X1,41X13 U6950 A2IX			
45	G19006960R	ESPULSORE SEME MAIS	SEED EJECTOR FOR CORN			
46	F01420036R	ROS.M6 6,4X 18X1,5 U6593 ZN	WASHER M6 6,4X 18X1,5 U6593 ZN	RONDELLE M6 6,4X18X1,5 U6593ZN	SCHEIBEN M6 6,4X18X1,5U6593 ZN	ARANDELA M6 6,4X18X1,5U6593ZN
47	G19005480R	COPERCHIO SERBAT.SEME 60 LITRI	COVER SEED HOPPER 60 LITRE			
48	F01220011R	DADO M6X1 D980 8ZN	NUT M6X1 D980 8ZN	ECROU M6X1 D980 8 ZN	MUTTER M6X1 D980 8 ZN	TUERCA M6X1 D980 8 ZN
49	F152226240R	MONT.SERB.SEME 60 LITRI	TANK ASSEMBLY SEED 60LT	MONT.SERB.SEME 60 LIT.		
50	F01200220R	DADO M5X0,8 U5588 CL8 ZN	NUT M5X0,8 U5588 6.8ZN	ECROU 5 UNI 5588 6.8 ZN	MUTTER 5 UNI 5588 6.8 ZN	TUERCA 5 UNI 5588 6.8 ZN
51	F01430035R	ROS.M5 5,3X 10X0,6 U8842J ZN	WASHER D5 DIN 6798 D.INT.ZN	RONDELLE D5 DIN 6798 D. INT. Z	UNT. SCHEIBE D5 DIN 6798 D. IN	ARANDELA D5 DIN 6798 D.INT.ZN
52	F16620010R	ESPULSORE SEMI BIETOLA	SUGAR BEET EJECTOR	EXPULSEUR BETTES	AUSWERFER R BEN	EXPULSOR REMOLACHA
53	F01020381R	VITE M5X0,8X20 U5739 A2IX	SCR. M5X0,8X20 U5739 A2IX	VIS 5X20 5739	SCHRAUBE 5X20 5739	TORNILLO 5X20 5739
54	G22270133R	PIASTRINA ANTI TRABOC.SEMI MIN	MINUTE SEED PLATE SP	PLAQUETTE GRAINES PETITES SP	PLZTTCHEN KLEINE SAMEN SP	PLAQUETA SEMILLAS PEQUE AS SP
55	G16620360R	DIMA SELETTORE FISSO	POSITION PLATE FOR FIXED SELEC	GABARIT POSITION SELECTEUR FIX	EINSTELLEHRE F. R FIXEN ABSTREI	PLACA PARA LA POSICI N SELECTO
56	F01440095R	RONDELLA ALLUMINIO D12	WASHER ALUMINIUM D12	RONDELLE ALUMINIUM D12	UNTERLEGSSCHEIBE ALUMINIUM D12	ARANDELA ALUMINIO D12
57	F01460129R	ROS.OND.13,0X 24X1,2 IX D137B	WASHER D13 DIN 137 B IX			
58	G19007240R	GUARNIZIONE COPERCHIO MT	SEED UNIT SEAL MT			
59	G16622070R	POMELLO COPERCHIO IX	SEED COVER KNOB IX			
60	F02050023R	ANELLO E. DE 12X 1 U7435 C70	SEEGER RING D 12X 1 U7435 C70	BAGUE SEEGER D 12X 1 U7435 C70	SEEGERRING D 12X 1 U7435 C70	ANILLO D 12X 1 U7435 C70
61	G16622050R	DISCO FISSAGGIO CENTRALE IX	CENTRAL FIX DISK IX			
62	G18904240R	MOLLA L=17 D.FILO=1.3 SP.=7	SPRING	RESSORT	FEDER	MUELLE

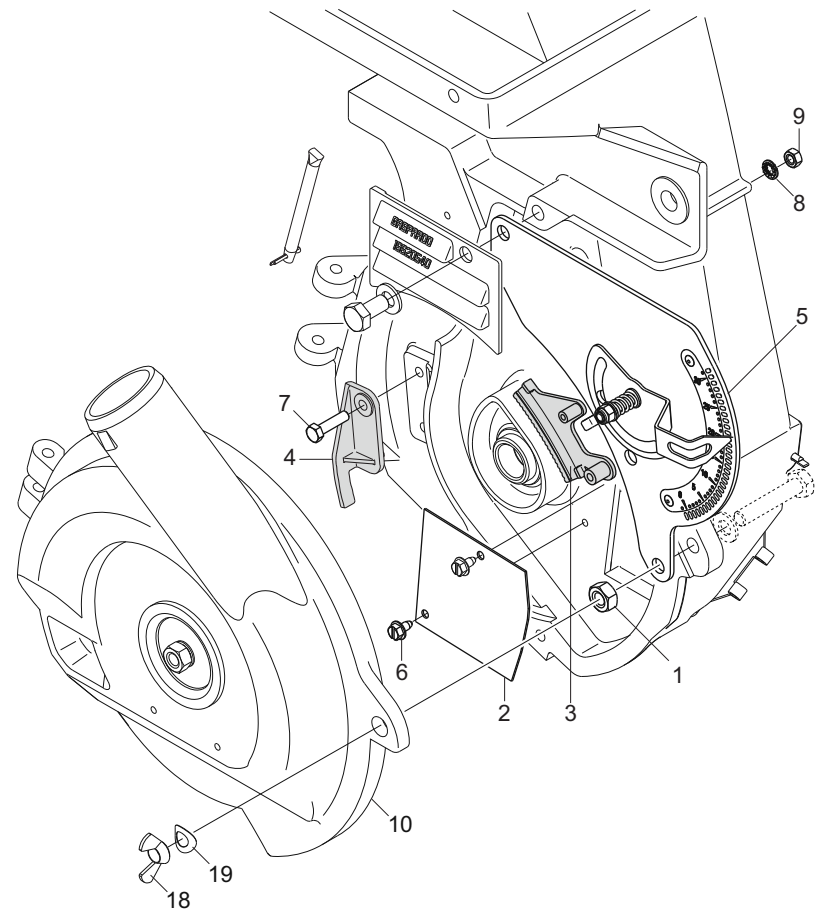
Varianti Semi Minuti
Variant Small Seeds

Vacuum COVER for small seeds



Special application

Peso di 1000 semi < 4,5 gr
1000 grains weight (tgw) < 4,5 gr


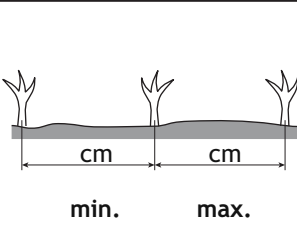
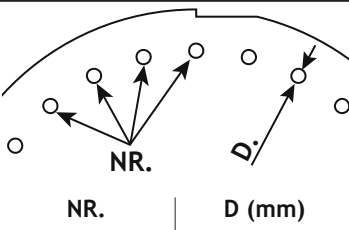
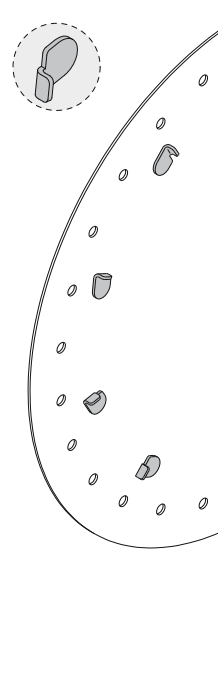
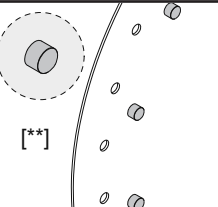


**VARIANTI SEMI MINUTI
SMALL SEED VARIANT**

TAV. 090

Pos.	Cod.	Descrizione	Description	Description	Benennung	Descripcion
1	F01410051R	ROS.M8 8,4X 17X1,6 U6592 ZN	WASHER M8 8,4X17X1,6 U6592 ZN	RONDELLE M8 8,4X17X1,6 ZN	SCHEIBE M8 8,4X17X1,6 U6592 ZN	ARANDELA M8 8,4X17X1,6 U6592ZN
2	G22270133R	PIASTRINA ANTI TRABOC.SEMI MIN	MINUTE SEED PLATE SP	PLAQUETTE GRAINES PETITES SP	PLZTTCHEN KLEINE SAMEN SP	PLAQUETA SEMILLAS PEQUE AS SP
3	G19005530R	PATTINO SELETTTORE FS	SKATE SELECTOR			
4	G19004890R	ESPULSORE SEME DISTRIB.R1	SEED EJECTOR DISTR. R1			
5	G15829600R	GRUPPO SELETTTORE COMPL	COMPLETE SELECTING GROUP			
6	F01070011R	VITE A4,2X1,41X9,5 U6950 4.8NI	SCR. H4,2X1,41X9,5 U6950 4.8NI	VIS AUTOTAR. 4-2X9-5 T. E. COU	SELBSTSCHNEID. SCHRAUBE 4-2X9-	TORNILLO AUTORROSC. 4-2X9-5
7	F01020381R	VITE M5X0,8X20 U5739 A2IX	SCR. M5X0,8X20 U5739 A2IX	VIS 5X20 5739	SCHRAUBE 5X20 5739	TORNILLO 5X20 5739
8	F01430035R	ROS.M5 5,3X 10X0,6 U8842J ZN	WASHER D5 DIN 6798 D.INT.ZN	RONDELLE D5 DIN 6798 D. INT. Z	UNT. SCHEIBE D5 DIN 6798 D. IN	ARANDELA D5 DIN 6798 D.INT.ZN
9	F01200220R	DADO M5X0,8 U5588 CL8 ZN	NUT M5X0,8 U5588 6.8ZN	ECROU 5 UNI 5588 6.8 ZN	MUTTER 5 UNI 5588 6.8 ZN	TUERCA 5 UNI 5588 6.8 ZN
10	G15424070R	COPERCHIO SEMI MINUTI COMPL	COMPL. MINUTE SEED COVER	COUVERCLE GRAINES PETITES COMP	DECKEL KLEINSAMEN KOMPL.	TAPA SEMILLAS PEQUE AS COMPL
11	F01030055R	VITE M8X1,25X20 U5933 10.9ZD	SCR. M8X1,25X20 U5933 10.9ZD	VIS M 8X20	SCHRAUBE M 8X20	TORNILLO M 8X20
12	F01200244R	DADO M8X1,25 U5588 CL8 ZN	NUT M8X1,25 U5588 6.8ZN	ECROU M8 X1,25 U5588 6.8 ZN	MUTTER M8 X1,25 U5588 6.8 ZN	TUERCA M8 X1,25 U5588 6.8 ZN
13	F01430059R	ROS.M8 8,4X 15X0,8 U8842J ZN	WASHER M8 8,4X15X0,8 U8842J ZN	ROND. M8 8,4X 15X0,8 U8842J ZN	SCHEIBE M8 8,4X15X0,8 U8842JZN	ARAND. M8 8,4X15X0,8 U8842J ZN
14	G22230037R	TENUTA GUARNIZIONE	SEAL	BLOQUAGE GARNITURE	DICHTUNG	JUNTA ESTANCA
15	G19002620R	GUARNIZIONE COP.DISTRIB.SP530	DISTRIBUTION COVER AIR SEAL MT	JOINT ETANCH PORTE SP530-MT	DICHTUNG SZAPPARATDECKEL SP530	JUNTA TAPA DISTRIB.SP530
16	G16620470R	TAPPO CENTRALE H=7,5	CENTRAL PLUG H=7.5	BOUCHON CENTRAL H=7,5	ZENTRALER PFROPFEN H=7,5	TAP N CENTRAL H=7,5
17	G18701890R	RONDELLA SVAS. 8,5X35 X5 ZN	FLARED WASHER D.8.5 ZN.	RONDELLE D.8,5 VAS E ZN.	F-CHERSCHEIBE D.8,5 ZN.	ARANDELA 8,5 ABOCINADA ZN.
18	F01240024R	DADO M8X1,25 U5448 5.8ZN	NUT M8X1,25 U5448 5.8ZN	ECROU 8 UNI 5448 5.8 ZN	MUTTER 8 UNI 5448 5.8 ZN	TUERCA 8 UNI 5448 5.8 ZN
19	F01460115R	ROS.OND. 8,4X 15X0,5 BR D137A	WASHER D8 DIN 137 A	RONDELLE D8 DIN 137 A	UNTERLEGSCHIEBE D8 DIN 137 A	ARANDELA D8 DIN 137 A

TAV. 100

							Code	Pos.
			min.	max.	NR.	D (mm)		
	Mais	Corn	8	32	26	4,5	G10121410	1
	Mais seme grosso, fagiolo	Large corn seed, bean	8	32	26	5,0	G10123710	2
	Mais seme grosso	Corn large seed	8	32	26	5,5	G10121390	3
	Girasole	Sunflower	8	32	26	2,5	G10123560	4
	Cotone	Cotton	8	32	26	3,5	G10121440	5
	Bietola, Sorgho	Sugarbeet, Sorghum	6	23	36	2,1	G10121420	6
	Cetriolo [*]	Cucumber [*]	6	23	36	1,5	G10121520	7
	Fagiolino, Cotone	Green bean, Cotton	6	23	36	3,5	G10121430	8
	Pisello	Peas	6	23	36	4,5	G10121630	9
	Fagiolo Borlotto	Bean	6	23	36	5,5	G10121570	10
	Soia (consigliato per interfila 45-50 cm)	Soya (recommended for 45-50 cm inter-row)	4	16	52	4,25	G10123430	11
	Insalata [*]	Green salad [*]	3	11,5	72	0,8	G10121510	12
	Pomodoro, Finocchio, Colza [*]	Tomato, Fennel, Rape [*]	3	11,5	72	1,1	G10121450	13
	Sorgo, Coriandolo	Sorghum, Coriander	3	11,5	72	2,1	G10121470	14
	Cotone (consigliato per interfila 70-75)	Cotton (recommended for 70-75 cm inter-row)	3	11,5	72	3,5	G10121500	15
	Soia (consigliato per interfila 70-75)	Soya (recommended for 70 - 75 cm inter-row)	3	11,5	72	4,25	G10124020	16
 [**]	Mais	Corn	8	32	26	4,5	G10124480	17
	Mais seme grosso, fagiolo	Large corn seed, bean	8	32	26	5,0	G10124780	18
	Girasole	Sunflower	8	32	26	2,5	G10124760	19
	Cotone	Cotton	4	16	52	3,5	G10124770	20
	Cotone (consigliato per interfila 70-75)	Cotton (recommended for 70-75 cm inter-row)	3	11,5	72	3,5	G10124790	21

[*] Si consiglia di sostituire il coperchio del distributore semi con il coperchio per semi minuti. We recommend the substitution of the seed distributor cover with the small seed cover.

[**] Versioni ISOTRONIC. ISOTRONIC version.

Per particolari esigenze, fare specifica richiesta. For special requirements make a specific order.

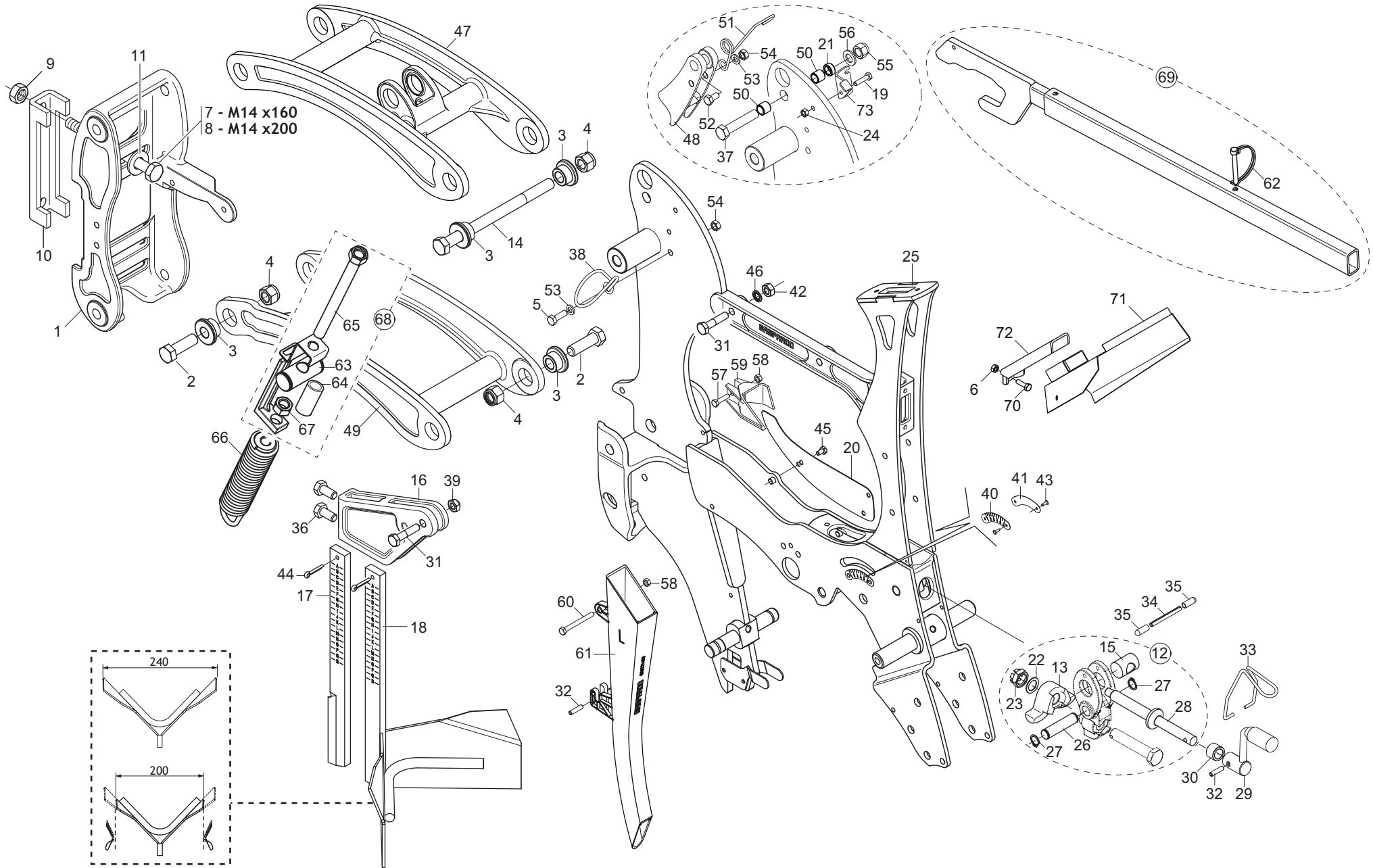
I valori della tabella sono puramente indicativi. La scelta definitiva dei dischi di semina è a totale discrezione dell'utente. Non si accettano reclami per semine eseguite con dischi non idonei.

The values shown on the table are approximate. The definite choice of seed plates is completely up to the user. Complaints for imprecise sowing due to utilization of improper seed plates will not be accepted.

**DISCHI DI SEMINA
SEED PLATES**

TAV. 100

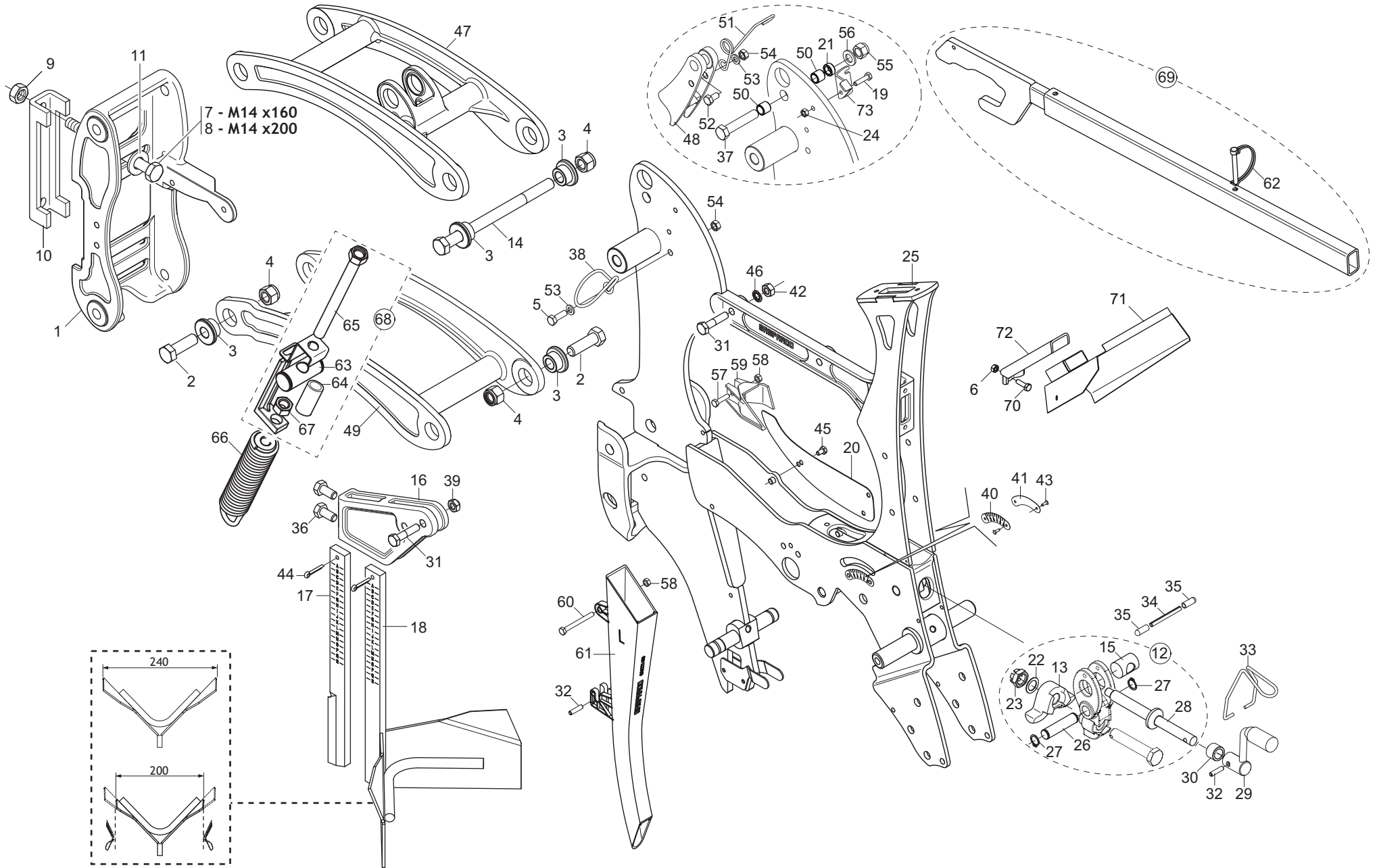
Pos.	Cod.	Descrizione	Description	Description	Benennung	Descripcion
1	G10121410R	DISCO 26F D.4,5 SP-MT	DISC 26 H. D.4,5 SP-MT	DISC 26F D4,5 GALVANISE		
2	G10123710R	DISCO 26F D.5,0 SP-MT	DISC 26 HOLES D.5-0 SP LM			
3	G10121390R	DISCO 26F D.5,5 SP-MT	DISC 26 H. D.5-5 CORN SP LM	DISC 26F D.5,5 GALVANISE		
4	G10123560R	DISCO 26F D.2,5 SP-MT	DISC 26 H. D. 2,5	DISC 26F D.2,5 GALVANISE		
5	G10121440R	DISCO 26F D.3,5 SP-MT	DISC 26 HOLES D 3-5 SP LM	DISC 26F D3,5 GALVANISE		
6	G10121420R	DISCO 36F D.2,1 SP-MT	DISC 36 H. D.2,1 SP-MT	DISC 36F D.2,1 GALVANISE		
7	G10121520R	DISCO 36F D.1,5 SP-MT	DISC 36 HOLES D.1-5 SP LM			
8	G10121430R	DISCO 36F D.3,5 SP-MT	DISC 36 HOLES D.3-5 SP LM			
9	G10121630R	DISCO 36F D.4,5 SP-MT	DISC 36 HOLES D.4-5 SP LM	DISC 36F D.4,5 GALVANISE		
10	G10123760R	DISCO ACC. 36 FORI D.5,5 P.ARR	STEEL DISC 36 HOLES D5,5 P.ARR	DISQUE ACC.36 TROUS D5,5 P.ARR	SCHEIBE ZUB.36 LTCHER D5,50	DISCO AC.36 ORIFICIOS D 5,5
11	G10123430R	DISCO 52F D.4,25 SP-MT	DISC 52 HOLES D.4-25 SP LM	DISC 52F D.4,25 GALVANISE		
12	G10121510R	DISCO 72F D.0,8 SP-MT	DISC 72 HOLES D.0-8 SP LM			
13	G10121450R	DISCO 72F D.1,1 SP-MT	DISC 72 HOLES D.1-1 SP LM	DISC 72F D1,1 GALVANISE		
14	G10121470R	DISCO 72F D.2,1 SP-MT	DISC 72 HOLES D.2-1 SP LM	DISC 72F D2,1 GALVANISE		
15	G10121500R	DISCO 72F D.3,5 SP-MT	DISC 72 H. D. 3,5	DISC 72F D.3,5 GALVANISE		
16	G10124020R	DISCO 72 FORI D.4,25 SP LM	DISC 72 HOLES D.4-25 SP LM	DISQUE 72 TROUS D. 4-25 SP LM	SCHEIBE 72 LTCHER D.4-25 SP	DISCO 72 ORIFICIOS D.4-5 SP LM
17	G10124480R	DISCO 26F D.4,5 P.OTT.SP-MT	DISC 26H D.4,25 P.OTT.SP-MT			
18	G10124780R	DISCO 26F D.5,0 P.OTT.SP-MT	SEED DISC 26 H. D. 5,0 P.BRASS			
19	G10124760R	DISCO 26F D.2,5 P.OTT.SP-MT	SEED DISC 26 H. D. 2,5 P.BRASS			
20	G10124770R	DISCO 52F D.3,5 P.OTT.SP-MT	SEED DISC 52 H. D. 3,5 P.BRASS			
21	G10124790R	DISCO 72F D.3,5 P.OTT.SP-MT	SEED DISC 72 H. D. 3,5 P.BRASS			



TELAIO ELEMENTO UNIT TOOLBAR

TAV. 110

Pos.	Cod.	Descrizione	Description	Description	Benennung	Descripcion
1	GA5220112R	PIASTRA FRONTALE	FRONT PLATE			
2	F01020254R	VITE M16X2X55 U5737 10.9ZD	SCR. M16X2X55 U5737 10.9ZD			
3	G17722000R	BOCCOLA SINT.16,25X28 L.13 PAR	BUSHING SINT.16,25X28 L.13 PAR			
4	F01230085R	DADO M16X2 D982 10ZN	NUT M16X2 D982 10ZN	ECROU M16X2 D982 10ZN	MUTTER M16X2 D982 10ZN	TUERCA M16X2 D982 10ZN
5	F01020440R	VITE M8X1,25X25 U5739 8.8ZN	SCR. M8X1,25X25 U5739 8.8ZN	VIS M8X1,25X25 U5739 8.8 ZN	SCHRAUBE M8X1,25X25U5739 8.8ZN	TORNIL.M8X1,25X25 U5739 8.8 ZN
6	F01200232R	DADO M6X1 U5588 CL8 ZN	NUT M6X1 U5588 6.8ZN	ECROU 6 UNI 5588 6.8 ZN	MUTTER 6 UNI 5588 6.8 ZN	TUERCA 6 UNI 5588 6.8 ZN
7	F01020225R	VITE M14X2X160 U5737 8.8BR	SCR. M14X2X160 U5737 8.8BR	VIS M 14 X160 5737 8.G	SCHRAUBE M 14 X160 5737 8.G	TORNILLO M 14 X160 5737 8.G
8	F01020233R	VITE M14X2X200 U5737 8.8BR	SCR. M14X2X200 U5737 8.8BR	VIS M14X2X 200 U5737 8.8 ZB	SCHRAUBE M14X 2X200 U5737 8.8	TORNILLO M14X2X200 5737 8.8 ZB
9	F01200306R	DADO M14X2 U5588 CL8 ZN	NUT M14X2 U5588 6.8ZN	ECROU M14X2	MUTTER M14X2	DADO M14X2
10	G15110091R	SCONTRIO A U	CONTRA U	BRIDE 150 MM	ANSCHLAG	ELEMENTO DE EMPALME
11	G20970142R	RONDELLA 32X4X15,5	WASHER 32X4X15-5	RONDELLE 32X4X15-5	UNTERLEGSSCHEIBE 32X4X15-5	ARANDELA 32X4X15-5
12	G17740010R	BILANCIERE REGINA COMPL	REGINA ROCKER ARM MOUNTED ASSY			
13	G17720291R	BILANCIERE	ROCKER ARM		UIHTOUDER	
14	F01020286R	VITE M16X2X220 U5737 10.9ZD	SCR. M16X2X220 U5737 10.9ZD	VIS M16X 2X220 U5737 10.9 ZD	SCHRAU.M16X 2X220 U5737 10.9ZD	TORNIL.M16X 2X220 U5737 10.9 ZD
15	G22230063R	ELEMENTO ARTICOLATO	ARTICULATED ELEMENT	ELEMENT ARTICULE	GELENKELEMENT	ELEMENTO ARTICULADO
16	G19204000R	SUPP.SPIANATERRA CORTO	SUPPORT SHORT SOIL BRAKER			
17	G15420842R	TAGLIENTE	EDGE	COUTRE CHASSE-MOTTE	SCHNEIDE	FILO DE CORTE
18	G15224901R	SPIANATERRA LARGH.240 MM	SOIL LEVELLER WIDTH 240 MM			
19	F01020406R	VITE M6X1X25 U5739 8.8ZN	SCR. M6X1X25 U5739 8.8ZN	VIS M 6X25	SCHRAUBE M 6X25	TORNILLO M 6X25
20	G17722713R	PIATTO DX	RIGHT PLATE			
21	G18800820R	BOCCOLA 12,25X18 X7	BUSCH 12,25X18 X7			
22	G18701820R	RONDELLA 16,5 X25 X1,0 ZN	WASHER 16,5X25X1,0 ZN			
23	F01210035R	DADO M16X2 U5594 5.8ZN	NUT M16X2 U5594 5.8ZN			
24	F01230022R	DADO M6X1 D982 8ZN	NUT M6X1 D982 8ZN	ECROU AUTO-FREIN.M6X1 D982 8ZN	SICHERUNGSMUT. M6X1 D982 8 ZN	TUERCA DE SEGU.M6X1 D982 8 ZN
25	GA5220014R	CORPO CENTRALE MTR	CENTRAL CASING MTR			
26	G17722800R	PERNO 15 X 63 ZN	PIN 15 X 63 ZN			
27	B01700015R	ANEL. D ARR. ALB. 15-E UNI3653	SEEGER RING	BAGUE SEEGER	SEEGERING	
28	G17722510R	ASS.VITE TENSIONAMENTO ZN	ADJUSTING SCREW ASSY ZN			
29	G22270235R	MANIGLIA REGOLAZIONE B4	ADJUSTMENT HANDLE B4	POIGNEE REGLAGE B4	EINSTELLGRIFF B4	MANIJA REGULACI N B4
30	G18803230R	BOCCOLA 15 X22 X16 ZN	BUSHING 15 X22 X16 GALVA	BOITE 15 X22 X16 ZN	BSCHE 15 X22 X16 ZN	CASQUILLO 15 X22 X16 ZN
31	F01020112R	VITE M10X1,5X45 U5737 8.8ZN	SCR. M10X1,5X45 U5737 8.8ZN	VIS M 10X45	SCHRAUBE M 10X45	TORNILLO M 10X45
32	F02100111R	SPINA E.P. 6X 24 U6873 A2 IX	PIN EL. 6 X24 U6873 A2 IX			
33	G18903741R	MOLLA FERMO MANIGL.MAGICA 2004	HANDLE STOP SPRING MAGICA 2004	RESSORT ARRET POIG.MAGICA 2004	FEDER GRIFFSPERRE MAGICA 2004	MUELLE BLOQUEO MAN. MAGICA 04
34	F02100126R	SPINA E.P. 6X60 U6873 C70 BR	PIN E.D. 6X60 U6873 C70 BR	FICHE E.D. 6X60 U6873 C70 BR	BOLTZEN E.D. 6X60 U6873 C70 BR	CLAVIJA E.D. 6X60 U6873 C70 BR
35	F05100193R	CAPPUCCIO 5,95X19,05 GIALLO	CAP	BOUCHON	BOUCHON	CORCHO
36	F01020508R	VITE M12X1,75X25 U5739 8.8ZN	SCR. M12X1,75X25 U5739 8.8ZN	VIS M12X1,75X25 U5739 8.8 ZN	SCHRAUBE M12X1,75X25U5739.8ZN	TORNIL.M12X1,75X25 U5739 8.8ZN
37	F01020521R	VITE M12X1,75X65 U5739 8.8ZN	SCR. M12X1,75X65 U5739 8.8ZN	VIS M12X1,75X65 U5739 8.8ZN	SCHRAU.M12X1,75X65 U5739 8.8ZN	TORN.M12X1,75X65 U5739 8.8ZN
38	G18903140R	MOLLA GUIDATUBO	PIPE GUIDE SUPPORT	RESSORT GUIDE-TUBE	FEDER ROHRFSHRUNG	MUELLE GU A TUBOS
39	F01220033R	DADO M10X1,5 D980 8ZN	NUT M10X1,5 D980 8ZN	ECROU M10X1,5 D980 8ZN	MUTTER M10X1,5 D980 8ZN	TUERCA M10X1,5 D980 8ZN
40	G19705280R	TARGHETTA REG.SX RUOTE PROFOND	PLATE	PLAQUET	PLATTE	PLACA
41	G19705290R	TARGHETTA REG.DX RUOTE PROFOND	PLATE	PLAQUET	PLATTE	PLACA
42	F01200270R	DADO M10X1,5 U5588 CL8 ZN	NUT M10X1,5 U5588 6.8ZN	ECROU M10X 1,5 U5588 6.8 ZN	MUTTER M10X 1,5 U5588 6.8 ZN	TUERCA M10X 1,5 U5588 6.8 ZN
43	F02250066R	RIVETTO STR. 3 X 9 U9200A AL	POP RIVET 3X9 ALUMINIUM	RIVET 3 X 9 ALL	REISSNIETE 3 X 9 ALU	REMACHE DESGAR. 3 X 9 AL
44	F02200226R	COPIGLIA 5X 25 U1336 ZN	SPLIT PIN 5 X25 1336 GALVAN.	GOUPILLE 5 X25 1336 ZN	SPLINT 5 X25 1336 ZN	PASADOR 5 X25 1336 ZN
45	F01020397R	VITE M6X1X10 U5739 8.8ZN	SCR. M6X1X10 U5739 8.8ZN	VIS 6X10 5739 8.G ZN	SCHRAUBE 6X10 5739 8.G ZN	TORNILLO 6X10 5739 8.G ZN
46	F01430023R	ROS.M10 10,5X 18X0,9 U8842J Z	WASHER D10 DIN 6798 D.INT.ZN	RONDELLE D10 DIN 6798 D. INT.	UNT. SCHEIBE D10 DIN 6798 D.IN	ARANDELA D10 DIN 6798 D.INT.ZN
47	GA5220202R	PARALLELO SUPERIORE	UPPER PARALLEL ARM			
48	GA5220260R	BLOCCO AGGANCIAMENTO ELEMENTO	HOOK BLOCK			
49	GA5220153R	PARALLELO INFERIORE MTR	LOWER PARALLEL ARM MTR			
50	G18801340R	BOCCOLA 12,25X16 X14	BUSHING 12,25X16 X14	BOITE 12,25X16 X14	B_CHSE 12,25X16 X14	CASQUILLO 12,25X16 X14
51	G18903780R	MOLLA TORSIONE GANCIO SUP.	UPPER HOOK TORSION SPRING			
52	F01020436R	VITE M8X1,25X20 U5739 8.8ZN	SCR. M8X1,25X20 U5739 8.8ZN	VIS M8X1,25X 20 U5739 8.8 ZN	SCHRAUBEN M8X1,25X20U5739 8.8ZN	TORN. M8X1,25X20 U5739 8.8 ZN
53	F01420048R	ROS.M8 8,4X 24X 2 U6593 ZN	WASHER M8 8,4X 24X2 U6593 ZN	RONDELLE M8 8,4X24X 2 U6593 ZN	SCHEIBEN M8 8,4X24X 2 U6593 ZN	ARANDELA M8 8,4X 24X2 U6593 ZN
54	F01200244R	DADO M8X1,25 U5588 CL8 ZN	NUT M8X1,25 U5588 6.8ZN	ECROU M8 X1,25 U5588 6.8 ZN	MUTTER M8 X1,25 U5588 6.8 ZN	TUERCA M8 X1,25 U5588 6.8 ZN
55	F01230059R	DADO M12X1,75 D982 8ZN	LOCK-NUT M12X1,75 D982 8ZN	ECR.AUTO-FREI.M12X1,75 ZN	SICHERUNGSMUT.M12X1,75 D982 8ZN	TUER.DE SEGUR.M12X1,75 D982 ZN

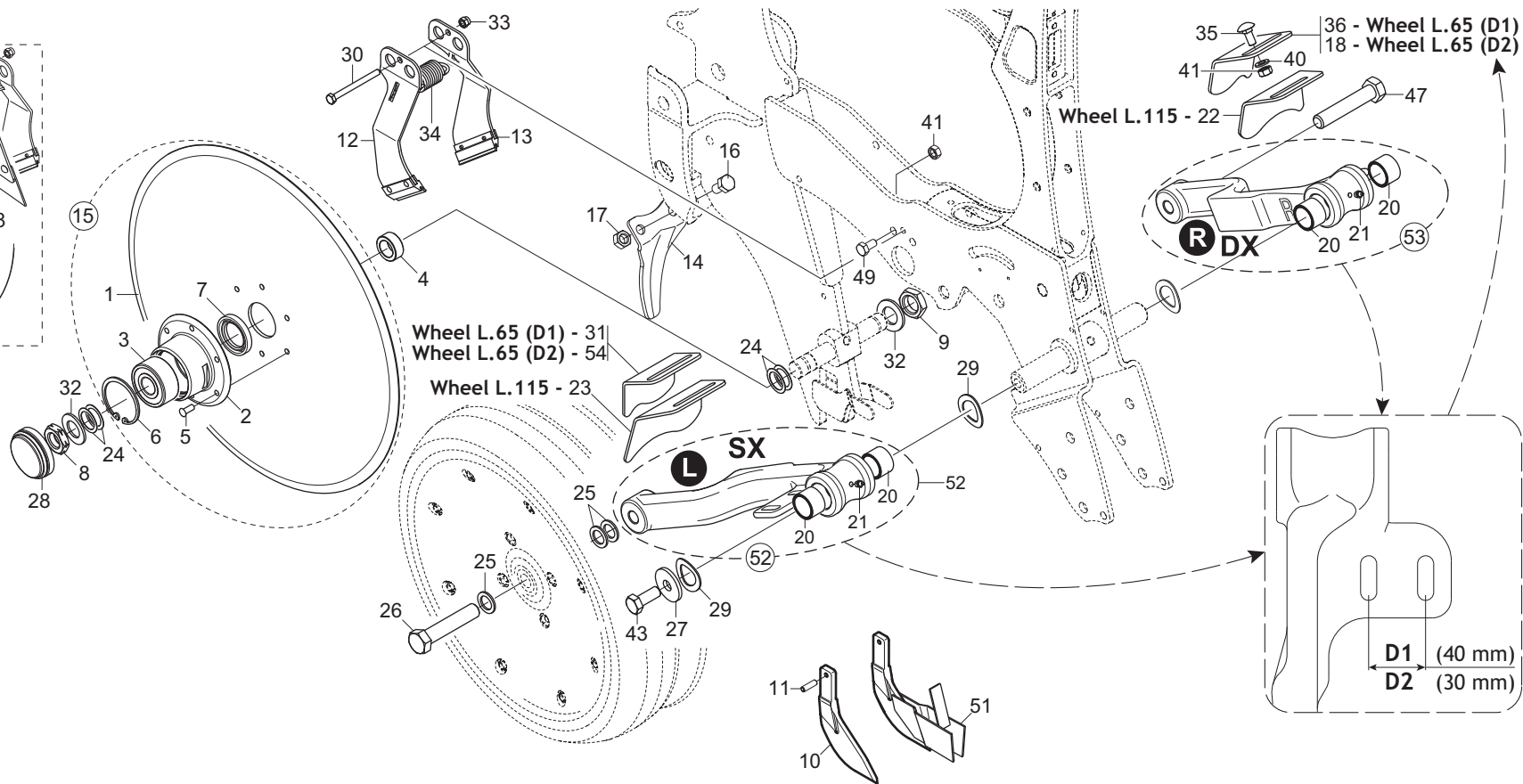
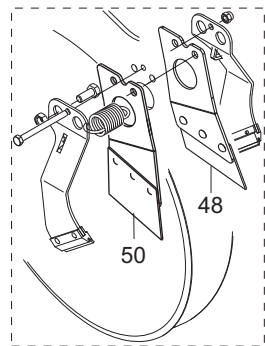


**TELAIO ELEMENTO
UNIT TOOLBAR**

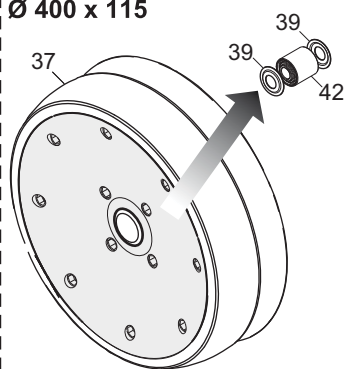
TAV. 110

Pos.	Cod.	Descrizione	Description	Description	Benennung	Descripcion
56	F01410076R	ROS.M12 13X 24X2,5 U6592 ZN	WASHER 12 13X 24X2,5 U6592 ZN	RONDEL. M12 13X24X2,5 U6592 ZN	SCHEIBE M12 13X24X2,5 U6592 ZN	ARANDELA M12 13 X24X2,5 ZN
57	F01020406R	VITE M6X1X25 U5739 8.8ZN	SCR. M6X1X25 U5739 8.8ZN	VIS M 6X25	SCHRAUBE M 6X25	TORNILLO M 6X25
58	F01220011R	DADO M6X1 D980 8ZN	NUT M6X1 D980 8ZN	ECROU M6X1 D980 8 ZN	MUTTER M6X1 D980 8 ZN	TUERCA M6X1 D980 8 ZN
59	G19002700R	PROTEZIONE FOTOCCELLULA	PHOTOCELL PROTECTION	PROTECT CAPT PHOTOC SP3-MT-MG	SCHUTZ PHOTOZELLE	PROTECCI N FOTOC LULA
60	F01020422R	VITE M6X1X60 U5739 8.8ZN	SCR. M6X1X60 U5739 8.8ZN	VIS M6 X1 X 60 U5739 8.8	SCHRAUBE M6 X1 X 60 U5739 8.	TORNIL. M6 X1 X 60 U5739 8.8
61	GA5221460R	CONVOGLIATORE SEME MTR	SEED CONVEYOR			
62	F02200562R	SPINA SICUR.D. 8X70 ZN	SNAP PIN D.8X 70 ZN	FICHE EL. D.8X70 ZN	SCHERSTIFT D.8X 70 ZN	CLAVIJA D.8X 70 ZN
63	G15226550R	SPINA ZN	PIN ZN			
64	G17940250R	BOCCOLA	BUSHING	BOITE	BSCHE	CASQUILLO
65	G15226570R	VITE REGOLAZIONE M16 X 225 ZN	ADJUSTING BOLT - GALVANIZED	VIS R GLAGE ZN	STELLSCHRAUBE ZN	TORNILLO REGULACI N ZN
66	GA5220820R	MOLLA REGOLABILE MTR	ADJUSTABLE MTR SPRING			
67	F01200324R	DADO M16X2 U5588 8.8ZN	NUT M16X2 U5588 8.8ZN	ECROU M16X2 U5588 8.8ZN	MUTTER M16X2 U5588 8.8ZN	TUERCA M16X2 U5588 8.8ZN
68	GA5221260R	REGOLATORE MOLLA COMPL. MTR	ADJUSTABLE MTR SPRING ASS.BLY			
69	GA5221560R	LEVA SOLLEV.ELEMENTO MTR	LIFTING LEVER ELEMENT MTR			
70	F01020404R	VITE M6X1X20 U5739 8.8ZN	SCREW M6X1X20 U5739 8.8ZN	VIS M6X1X20 U5739 8.8ZN	SCHRAUBE M6X1X20 U5739 8.8ZN	TORNILLO M6X1X20 U5739 8.8ZN
71	G15224500R	SCIVOLO SCARICO SEMI	SEED DISCHARGE CHUTE	LANCOIR DECHARGE GRAINES	RUTSCHE SAMENENTLADUNG	PLANO INCLINADO DESCARGA SEMIL
72	GA5222910R	SUPPORTO SCIVOLO SEME MTR	SEED CHUTE SUPPORT MTR			
73	GA5224000R	FERMO MOLLA GANCIO ESCL.MTR ZN	BRAKE SPRING HOOK MTR ZN			

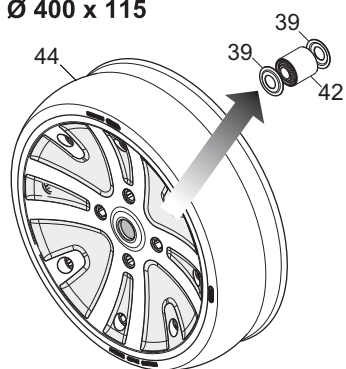
TAV. 120



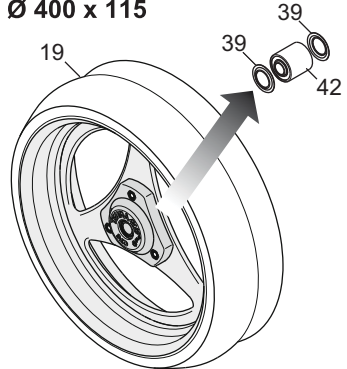
Ø 400 x 115



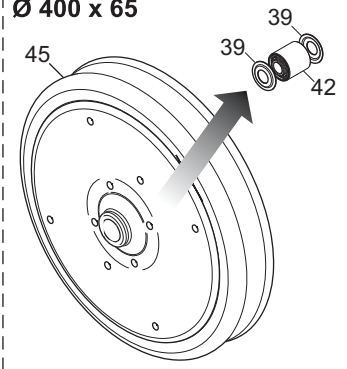
Ø 400 x 115



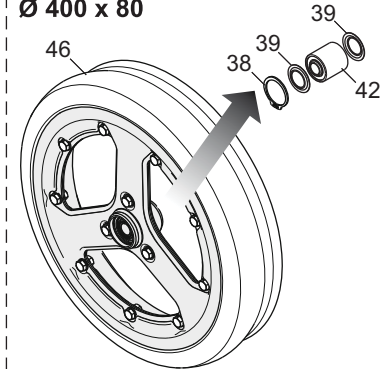
Ø 400 x 115



Ø 400 x 65



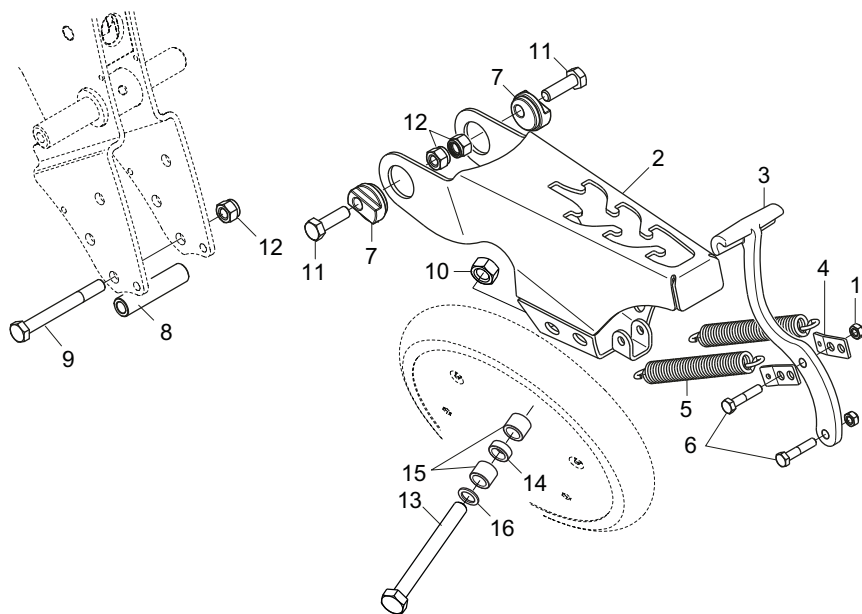
Ø 400 x 80



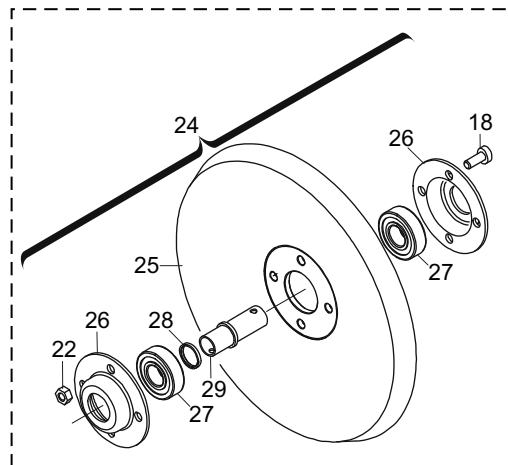
RUOTE DI PROFONDITÀ DEPTH WHEELS

TAV. 120

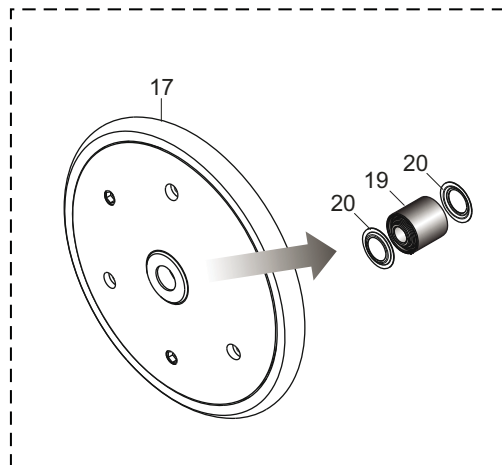
Pos.	Cod.	Descrizione	Description	Description	Benennung	Descripcion
1	G17722471R	DISCO ASSOLCATORE D.420	FURROW OPENER DISC D.420	DISC D.420		DISCO SURGADOR D.420
2	G17722492R	SUPPORTO CUSCINETTO DISCO ZN	BEARING DISK SUPPORT ZN			
3	F04010094R	CUSC.D20 D52 B22,2 3304 LLU	BEAR.D20 D52 B22,2 3304 LLU	ROULEMENT D20 D52 B22,2 LLU		
4	G17722482R	BOCCOLA 20 X30 X12,3	BUSHING D20X30X12,3	BOITE	BSCHSE	CASQUILLO
5	F02250521R	RIBATTINO TSC 6 X19,8 A 2	RIVET TSC 6X19,8 A 2 BY PIECE	PAQUET RIVETS TSC 6X 19,8 A 2	PACKUNG NIETEN TSC 6X19,8 A 2	PAQU.REMACHES TSC 6X 19,8 A 2
6	F02050381R	ANELLO E. DI 52X 2 U7437 C70	SEEGER RING E. 52X 2 U7437 C70	SEEGER E. 52X 2 U7437 C70	SEEGERING E. 52X 2 U7437 C70	ANILLO 52X 2 U7437 C70
7	F03011159R	AN. TENUTA 30X47X7 AS	SEALING RING 30X47X7	BAGUE D ETANCHEITE 30X47X7	DICHTUNGSRING 30X47X7	ANILLO AISLADOR 30X47X7
8	G17722811R	DADO M20X 2,5 SINISTRO ZN.	NUTS M20X2,5 LEFT GALV.ED			
9	F01200468R	DADO M20X2,5 U5589 CL8 ZN	NUT M20X2,5 U5589 6.8ZN	ECROU 20 5589 5.8 ZN *	MUTTER 20 5589 6.8 ZN *	TUERCA 20 5589 6.8 ZN
10	G19203943R	TAGLIENTE INT.DISCHI	INTERNAL DISC COULTER	ECROU 20 5589 5.8 ZN *	COUTEUR INTERIEUR	HILO DE CORTE INTERNO DISCOS
11	F02100106R	SPINA E.P. 6X 20 U6873 C70 BR	EL. PIN E.P. 6X20 U6873 C70 BR	GOUJON E.P. 6X 20 U6873 C70BR	BOLZEN E.P. 6X 20 U6873 C70BR	ESPINA E.P. 6X 20 U6873 C70BR
12	GA5220051R	ASS.RASCHIATERRA VIDIA SX	LEFT VIDIA SOIL SCRAPER ASS.			
13	GA5220311R	ASS.RASCHIATERRA VIDIA DX	RIGHT VIDIA SOIL SCRAPER ASS.			
14	G15225861R	PROTEZIONE DISCHI	DISC PROTECTION			
15	G17722612R	MONT.DISCO ASSOLCATORE	RIDGING DISC ASSEMBLY	DISC AVEC CRETE		DISCO SURGADOR D.420 COMPLETO
16	F01020472R	VITE M10X1,5X25 U5739 8.8ZN	SCR. M10X1,5X25 U5739 8.8ZN	VIS M10X1,5X25 U5739 8.8 ZN	SCHRAUBE M10X1,5X25 U5739 8.8	TORNILLO 10X25 U5739 8.8 ZN
17	F01220033R	DADO M10X1,5 D980 8ZN	NUT M10X1,5 D980 8ZN	ECROU M10X1,5 D980 8ZN	MUTTER M10X1,5 D980 8ZN	TUERCA M10X1,5 D980 8ZN
18	GA5223280R	RASCHIATERRA DX L65	RIGHT SCRAPER L65			
19	F06120609R	RUOTA PROF.RAZZE MTR L115 O-L	DEPTH WHEEL 400X115 SPOKE O-PL			
20	G17722830R	BOCCOLA ELEM.REGINA SINTERIZ.	SINTER.BUSHING FOR REGINA EL.			
21	F01100011R	ING.M 6X1 7663-A 9SMNPB28 ZN	GREASE NIPPLE M6X1 7663-A ZN	GRAISS. A BILLE M6X1 7663A ZN	SCHMIERBUECHE M6X1 7663-A ZN	ENGRAS. DE ESFE. M6X1 7663-AZN
22	G17723000R	RASCHIATERRA DX	RIGHT SOILSCRAPER			
23	G17723080R	RASCHIATERRA SX	LEFT SOILSCRAPER			
24	G20970100R	RONDELLA 30X0,5X22 ACC.	WASHER 30X0-5X22 ACC.	RONDELLE 30X0-5X22 ACIER	UNTERLEGSSCHEIBE 30X0-5X22 ACC.	ARANDELA 30X0-5X22 ACC.
25	G20970025R	RONDELLA 25,2X2X16,5	WASHER 25-2X2X16-5	RONDELLE 25-2X2X16-5	UNTERLEGSSCHEIBE 25-2X2X16-5	ARANDELA 25-2X2X16-5
26	GA5220170R	VITE M16X 2X80 SX U5737 8.8 ZN	SCREW M16X2X80LEFT U5737 8.8ZN			
27	G20970085R	RONDELLA 40X4X13	WASHER 40X4X13	RONDELLE 40X4X13	UNTERLEGSSCHEIBE 40X4X13	ARANDELA 40X4X13
28	F05050022R	TAPPO PROTEZIONE D.58 H.14 ZN	GUARD CAP D.58 H.14 GALV.			
29	G18701880R	RONDELLA DI SPINTA	IMPULSE WASHER	RONDELLE	UNTERLEGSSCHEIBE	ARANDELA
30	F01020047R	VITE M6X1X70 U5737 8.8ZN	SCR. M6X1X70 U5737 8.8ZN	VIS 6 X70 5737 8.G ZN	SCHRAUBE 6 X70 5737 8.G ZN	TORNILLO 6 X70 5737 8.G ZN
31	GA5220960R	RASCHIATERRA SX L.65	LEFT SOILSCRAPER L.65			
32	F01410124R	ROS.M20 21X 37X 3 U6592 ZN	WASHER M20 21X 37X 3 U6592 ZN	RONDEL. M20 21X37X3 ZN	MUTTER M20 21X 37X 3 U6592 ZN	ARANDELA M20 21X37X3 U6592 ZN
33	F01230022R	DADO M6X1 D982 8ZN	NUT M6X1 D982 8ZN	ECROU AUTO-FREIN.M6X1 D982 8ZN	SICHERUNGSMUT. M6X1 D982 8 ZN	TUERCA DE SEGU.M6X1 D982 8 ZN
34	G18904540R	MOLLA TRAZIONE ZN	SPRING TENSION ZN			
35	F01060040R	VITE M8X1,25X20 U5731 8.8ZN	SCR. M8X1,25X20 U5732 4.6ZG	VIS M8X1,25X20 U5732 4.6 ZN	SCHRA. M8X1,25X20 U5732 4.6 ZN	TORN. M8X1,25X20 U5732 4.6 ZN
36	GA5220970R	RASCHIATERRA DX L.65	RIGHT SOILSCRAPER L.65			
37	F06120406R	RUOTA PROF.TAMB.MTR L115 M	DEPTH GAUGE WHEEL SM.CR.OFFS M			RUEDA CONTRO PROFUNDIDAD MTR L
38	F02050168R	ANELLO E.DE 40X1,75 U7435	SEEGER RING 40X1,75 U7435	BAGUE SEEGER 40X1,75 U7435	SEEGERRING 40X1,75 U7435	ANIL.SEEGER 40X1,75 U7435
39	F01440086R	ROS. 23X40X0,5 D988 ST2K60 BR	WASHER 23X40X0,5 D988 ST2K60 B			
40	F01410051R	ROS.M8 8,4X 17X1,6 U6592 ZN	WASHER M8 8,4X17X1,6 U6592 ZN	RONDELLE M8 8,4X17X1,6 ZN	SCHEIBE M8 8,4X17X1,6 U6592 ZN	ARANDELA M8 8,4X17X1,6 U6592ZN
41	F01200244R	DADO M8X1,25 U5588 CL8 ZN	NUT M8X1,25 U5588 6.8ZN	ECROU M8 X1,25 U5588 6.8 ZN	MUTTER M8 X1,25 U5588 6.8 ZN	TUERCA M8 X1,25 U5588 6.8 ZN
42	F04100150R	CUSC.D16 D40 B39 WPS	BEARING D16 D40 B39 WPS	ROULEMENT D16 D40 B39		COJINETE D16 D40 B39 WPS
43	F01020510R	VITE M12X1,75X30 U5739 8.8ZN	SCR. M12X1,75X30 U5739 8.8ZN	VIS M12X1,75X30 U5739 8.8ZN	SCHRAU.M12X1,75X30 U5739 8.8ZN	TORN. M12X1,75X30 U5739 8.8ZN
44	F06120449R	RUOTA PROF.TAMB.MTR L115 I	DEPTH WHEEL MTR L115			
45	F06120410R	RUOTA PROF.TAMB.MTR L65 M	DEPTH GAUGE WHEEL SM.CR.MT L65			
46	F06120326R	RUOTA PROF.TAMB.MTR 410X82	WHEEL PROF.TAMB.MTR 410X82	ROUE PROF. MTR 410X82		
47	F01020262R	VITE M16X2X80 U5737 8.8ZN	SCR. M16X2X80 U5737 8.8ZN	VIS M16X2X80 U5737 8.8 ZN	SCHRAUBE M16X2X80 U5737 8.8 ZN	TORNILLO M16X2X80 U5737 8.8 ZN
48	GA5221181R	RASCHIATERRA INT.DX MTR	SOIL SCRAPER INT.RIGHT MTR			
49	F01020436R	VITE M8X1,25X20 U5739 8.8ZN	SCR. M8X1,25X20 U5739 8.8ZN	VIS M8X1,25X 20 U5739 8.8 ZN	SCHRAUBE M8X1,25X20U5739 8.8ZN	TORN. M8X1,25X20 U5739 8.8 ZN
50	GA5221161R	RASCHIATERRA INT.SX MTR	SOIL SCRAPER INT.LEFT MTR			
51	GA5221620R	FALCIONE CORTO INT.MTR	SHORT CUTTER INT.MTR			
52	GA5221511R	BRACCIO RUOTA PROF.TAM.SX COMP	LEFT ARM DEPTH WHEEL ASSEMBLY			
53	GA5221501R	BRACCIO RUOTA PROF.TAM.DX COMP	RIGHT ARM DEPTH WHEEL ASSEMBLY			
54	GA5223290R	RASCHIATERRA SX L65	LEFT SCRAPER L65			



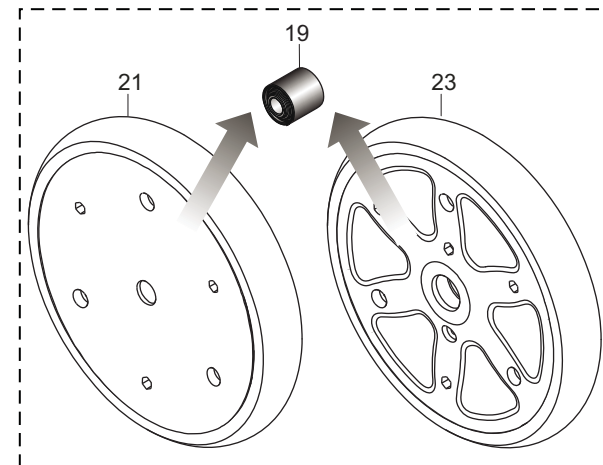
CAST IRON PRESS WHEEL



1" «V» SHAPED RUBBER PRESS WHEEL



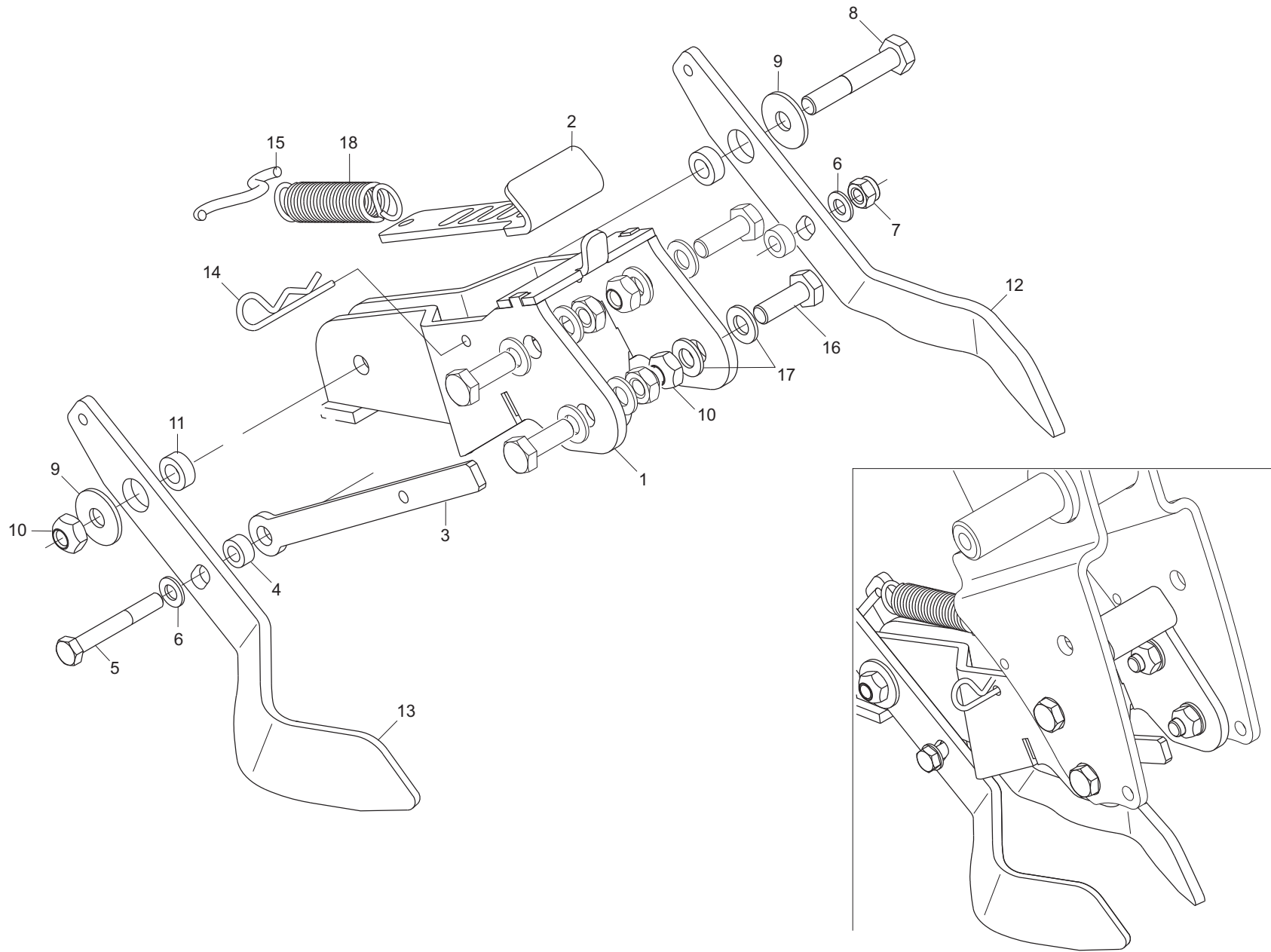
2" «V» SHAPED RUBBER PRESS WHEEL



**RUOTE DI COMPRESSIONE
COMPRESSION WHEELS**

TAV. 130

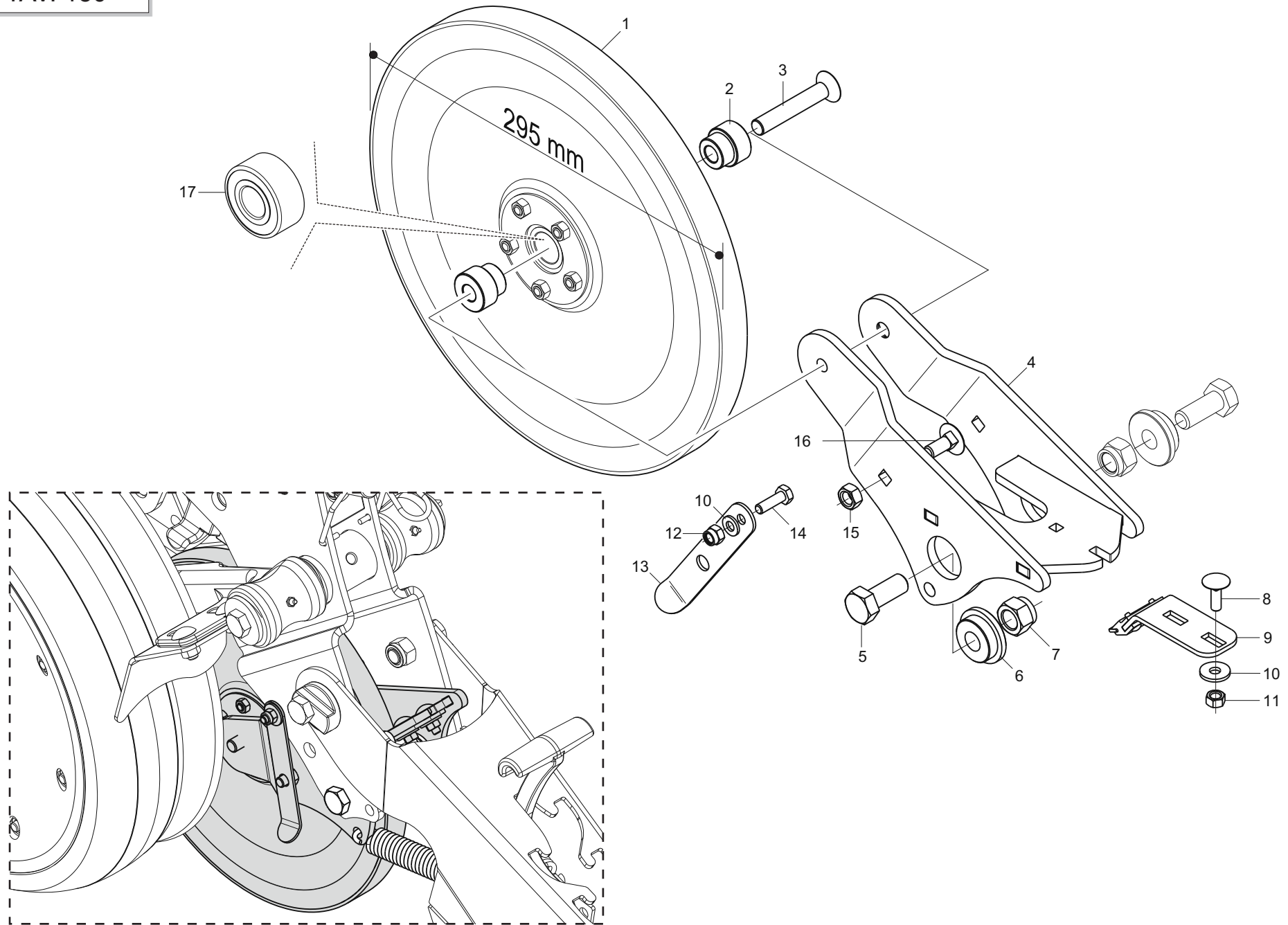
Pos.	Cod.	Descrizione	Description	Description	Benennung	Description
1	F01220022R	DADO M8X1,25 D980 8ZN	NUT M8X1,25 D980 8ZN	ECROU M8X 1,25 D980 8 ZN	MUTTER M8X 1,25 D980 8 ZN	TUERCA M8X 1,25 D980 8 ZN
2	GA5220401R	CODINO	TAIL			
3	GA5220420R	MANIGLIA CODINO	END HANDLE			
4	G17722340R	ATTACCO MOLLA ZN	SPRING CONNECTION ZN			
5	G18904560R	MOLLA TRAZ.RUOTE COMPRESSIONE	TRACTION SPRING PRESS.WHEEL	RESSORT TENDEUR POUR ROUE		MUELLE TRACTION RUEDA COMPRESS
6	F01020068R	VITE M8X1,25X40 U5737 8.8ZN	SCR. M8X1,25X40 U5737 8.8ZN	VIS M 8X1,25X40 U5737 8.8 ZN	SCHRA. M8X1,25X40 U5737 8.8 ZN	TORNIL.M8X1,25X40 U5737 8.8 ZN
7	GA5220411R	BOCCOLA SINT.ECCENTRICA MTR	ECCENTRIC BUSHING SINT.MTR			
8	G18803081R	BOCCOLA 12,25X20 X85 ZN	BUSHING D12,25X20X84 ZN			
9	F01020174R	VITE M12X1,75X120 U5737 8.8ZN	SCR. M12X1,75X120 U5737 8.8ZN	VIS M12X1,75X120 U5737 8.8 ZN	SCHRAUBE M12X1,75X120 U5737 ZN	TORN.M12X1,75X120 U5737 8.8 ZN
10	F01230085R	DADO M16X2 D982 10ZN	NUT M16X2 D982 10ZN	ECROU M16X2 D982 10ZN	MUTTER M16X2 D982 10ZN	TUERCA M16X2 D982 10ZN
11	F01020152R	VITE M12X1,75X40 U5737 8.8ZN	SCR. M12X1,75X40 U5737 8.8ZN	VIS M12X1,75X40 U5737 8.8 ZN	SCHRAUBE M12X1,75X40U57378.8ZN	TORNIL.M12X1,75X40 U5737 8.8ZN
12	F01230059R	DADO M12X1,75 D982 8ZN	LOCK-NUT M12X1,75 D982 8ZN	ECR.AUTO-FREI.M12X1,75 ZN	SICHERUNG M12X1,75 D982 8ZN	TUER.DE SEGUR.M12X1,75 D982 ZN
13	F01020266R	VITE M16X2X120 U5737 8.8ZN	SCREW M16X2X120 U5737 8.8ZN	VIS M16X2X120 U5737 8.8ZN	SCHRAU. M16X2X120 U5737 8.8ZN	TORN. M16X2X120 U5737 8.8ZN
14	G20980004R	BOCCOLA 10X17,5X25	BUSHING 10X17.5X25	BOITE 10X17-5X25	BSCHE 10X17-5X25	CASQUILLO 10X17-5X25
15	G18800140R	BOCCOLA 16,5 X25 X16,5 ZN	BUSHING 16,5 X25 X16,5 ZN			
16	G20970025R	RONDELLA 25,2X2X16,5	WASHER 25-2X2X16-5	RONDELLE 25-2X2X16-5	UNTERLEGSCHIEBE 25-2X2X16-5	ARANDELA 25-2X2X16-5
17	F06120412R	RUOTA GOMMA 1 X12 WPS C	RUBB.WHEEL1 X12 BEARINGK098			RUEDA GOMA 1 X12 WPS
18	F01040091R	VITE M8X1,25X20 U5931 8.8ZN	SCREW M8X1,25X20 U5931 8.8ZN	VIS M8X1,25X20 U5931 8.8ZN	SCHRAU. M8X1,25X20 U5931 8.8ZN	TORN. M8X1,25X20 U5931 8.8ZN
19	F04100150R	CUSC.D16 D40 B39 WPS	BEARING D16 D40 B39 WPS	ROULEMENT D16 D40 B39		COJINETE D16 D40 B39 WPS
20	F01440086R	ROS. 23X40X0,5 D988 ST2K60 BR	WASHER 23X40X0,5 D988 ST2K60 B			
21	F06120474R	RUOTA GOMMA 2 X13 WPS C	RUBBER WHEEL 2 X13 WPS			
22	F01220022R	DADO M8X1,25 D980 8ZN	NUT M8X1,25 D980 8ZN	ECROU M8X 1,25 D980 8 ZN	MUTTER M8X 1,25 D980 8 ZN	TUERCA M8X 1,25 D980 8 ZN
23	F06120408R	RUOTA GOMMA 2 X13 WPS R	RUBBER WHEEL 2 X13 WPS	ROUE 2 X13 WPS R		RUEDA GOMA 2 X13 WPS
24	G15224790R	RUOTA GHISA POST.COMPL.	COMPL. REAR CAST IRON WHEEL	ROUE FONTE ARRI RE COMPL TE	HINTERES GUSSEISENRAD KOMPL.	RUEDA FUNDICI N TRAS.COMPL.
25	G15224800R	RUOTA POSTERIORE GS	REAR WHEEL	ROUE ARRIERE	HINTERRAD	RUEDA TRASERO
26	G16242190R	SUPPORTO CUSCINETTO	BEARING SUPPORT	SUPPORT PALIER	LAGERBSCHSE	SOPORTE COJINETE
27	F04010156R	CUSC. D20 D47 B14 6204 2RSH	BEARING D20 D47 B14 6204 2RSH	ROULEMENTD20 D47 B14		
28	G15224810R	BOCCOLA 20,5X25X3	BUSHING 20,5X25X3	DOUILLE 20,5X25X3	BUCHSE 20,5X25X3	MANGUITO 20,5X25X3
29	G15423850R	BOCCOLA RUOTA FERRO	STEEL WHEEL BUSHING	DOUILLE ROUE FER	B CHSE EISENRAD	BUJE RUEDA DE HIERRO



**COPRISEMI ANTERIORI
FRONT SEED COVERING**

TAV. 140

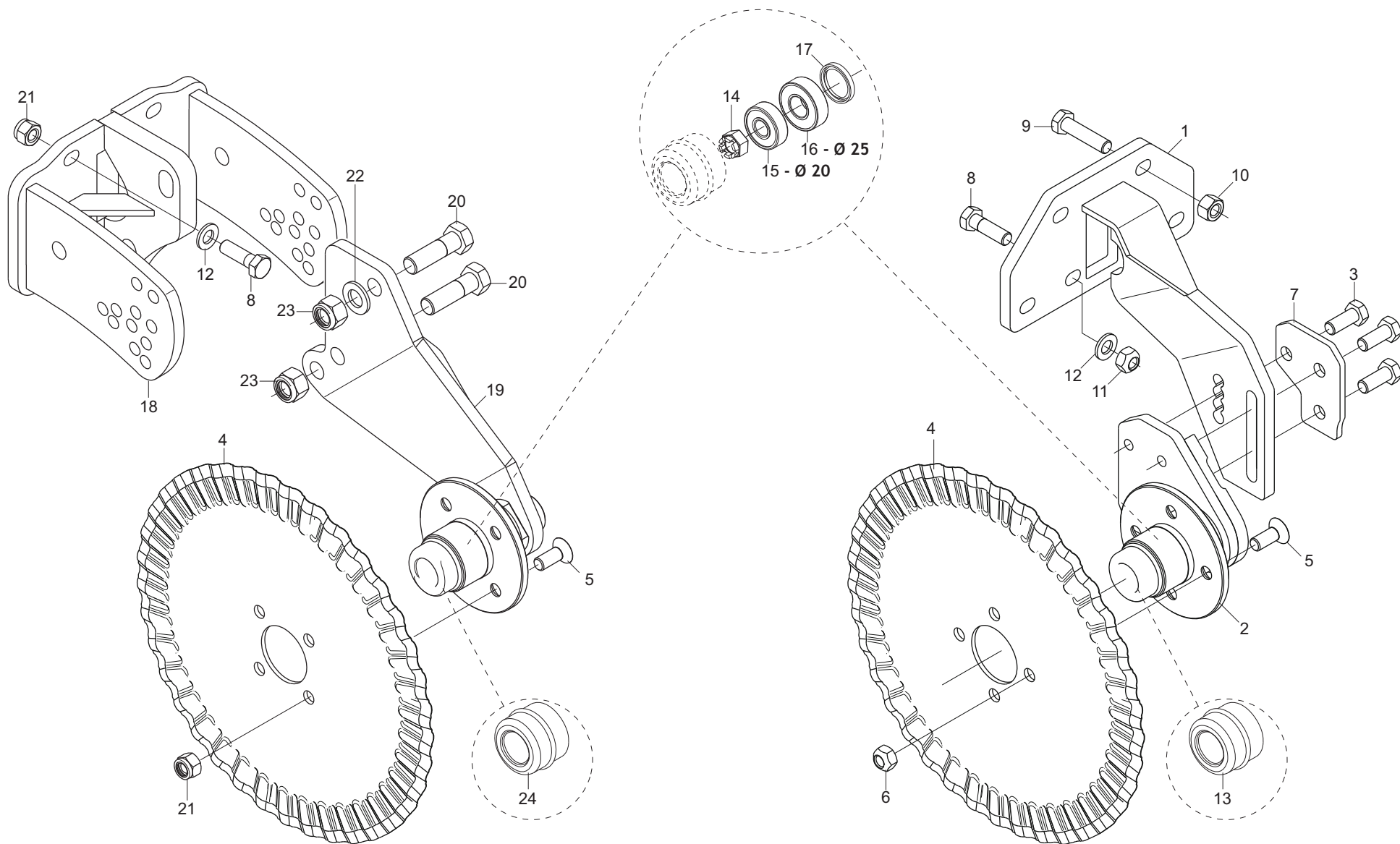
Pos.	Cod.	Descrizione	Description	Description	Benennung	Descripcion
1	GA5220880R	SUPPORTO COPRISEME	SEEDCOVER SUPPORT			
2	GA5221000R	PIATTO REGOLAZ.COMPRESSIONE	COMPR. ADJUST.ENT PLATE			
3	GA5220990R	ASTA FERMO CENTRALE	ROD CENTRAL LOCKING			
4	G20980050R	BOCCOLA 15X7X8,5 ZN	BUSHING 15X7X8-5 ZN	BOITE 15X7X8-5 ZN	BSCHSE 15X7X8-5 ZN	CASQUILLO 15X7X8-5 ZN
5	F01020077R	VITE M8X1,25X60 U5737 8.8ZN	SCR. M8X1,25X60 U5737 8.8ZN	VIS M8X1,25X60 U5737 8.8 ZN	SCHRAU. M8X1,25X60 U5737 8.8ZN	TORN. M8X1,25X60 U5737 8.8 ZN
6	F01410051R	ROS.M8 8,4X 17X1,6 U6592 ZN	WASHER M8 8,4X17X1,6 U6592 ZN	RONDELLE M8 8,4X17X1,6 ZN	SCHEIBE M8 8,4X17X1,6 U6592 ZN	ARANDELA M8 8,4X17X1,6 U6592ZN
7	F01230034R	DADO M8X1,25 D982 8ZN	NUT M8X1,25 D982 8ZN	ECROU M8X 1,25 ZN	MUTTER M8X 1,25 D982 8 ZN	TUERCA M8X 1,25 D982 8 ZN
8	F01020118R	VITE M10X1,5X60 U5737 8.8ZN	SCR. M10X1,5X60 U5737 8.8ZN	VIS 10X60 5737 8.G ZN	SCHRAUBE 10X60 5737 8.G ZN	TORNILLO 10X60 5737 8.G ZN
9	F01420060R	ROS.M10 10,5X 30X2,5 U6593 ZG	GALV.WASHER 10,5X30X2,5 U6593	RONDELLE 10,5X30	SCHEIBE 10,5X30	ARANDELA 10,5X30
10	F01220048R	DADO M12X1,75 D980 8ZN	NUT M12X1,75 D980 8ZN	ECROU M12X1,75 D980 8 ZN	SCHEIBE M12X1,75 D980 8 ZN	TUERCA M12X1,75 D980 8 ZN
11	G20980022R	BOCCOLA 18X10,25X7	BUSHING 18X10-25X7	BOITE 18X10-25X7	BSCHSE 18X10-25X7	CASQUILLO 18X10-25X7
12	GA5220890R	COPRISEME SX	LEFT SEED COVER			CUBRESEMILLA IZQ
13	GA5220900R	COPRISEME DX	RIGHT SEED COVER			CUBRESEMILLA DER
14	F02200363R	COPIGLIA R 3X 62 ZN	SPRING SPLIT PIN 3X 62 ZN	GOUPILLE R 3X62	SPLINT R 3X62	CHAVETA R 3X62
15	G15224250R	FERMO MOLLA	SPRING STOP	ARRET RESSORT	FESTSTELLVORRICHTUNG FEDER	BLOQUEO MUELLE
16	F01020512R	VITE M12X1,75X35 U5739 8.8ZN	SCR. M12X1,75X35 U5739 8.8ZN	VIS M12X1,75X35 5739 8.8 ZN	SCHR. M12X1,75X35 5739 8.8 ZN	TORN. M12X1,75X35 5739 8.8 ZN
17	F01410076R	ROS.M12 13X 24X2,5 U6592 ZN	WASHER 12 13X 24X2,5 U6592 ZN	RONDEL. M12 13X24X2,5 U6592 ZN	SCHEIBE M12 13X24X2,5 U6592 ZN	ARANDELA M12 13 X24X2,5 ZN
18	G65337005R	MOLLA TRAZ.CAMBIO SV	TRACTION COUPLING SPRING- GEAR	RESSORT TRACT.BOITE DE VITESSE	ZUGFEDER GETRIEBE SV	MUELLE TRAC. CAMBIO SV



RUOTINO PREMISEME INOX STEEL SEED PRESS WHEEL

TAV. 150

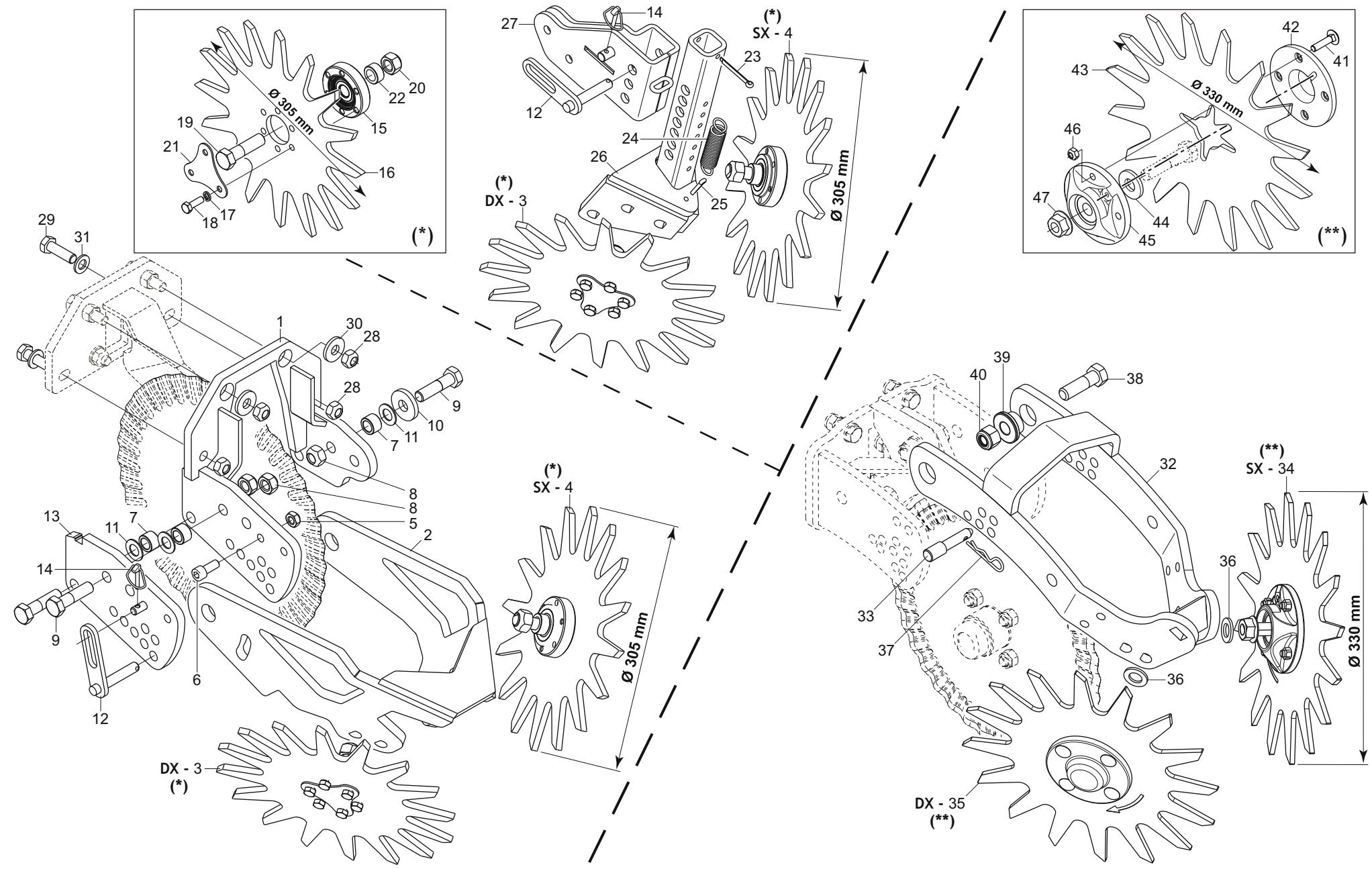
Pos.	Cod.	Descrizione	Description	Description	Benennung	Descripcion
1	G68150028R	RUOTINO COMPLETO D.295 IX	WHEEL D.295 IX COMPLETE			
2	G17722940R	BOCCOLA ZN	BUSCHING	BOITE	BSCHE	CASQUILLO
3	F01030516R	VITE M10X1,5X60 U5933 10.9ZD	SCR. M10X1,5X60 U5933 10.9ZD	VIS 10X60 5933 8.8 ZD	SCHRAUBE 10X60 5933 8.8 ZN	TORNILLO 10X60 5933 8.8 ZD
4	G17722600R	SUPPORTO	SUPPORT			
5	F01020512R	VITE M12X1,75X35 U5739 8.8ZN	SCR. M12X1,75X35 U5739 8.8ZN	VIS M12X1,75X35 5739 8.8 ZN	SCHR. M12X1,75X35 5739 8.8 ZN	TORN. M12X1,75X35 5739 8.8 ZN
6	G23440001R	BOCCOLA PARALLELOGRAMMA	BUSHING- PARALLELOGRAM	BOITE PARALLELOGRAMME	BSCHE PARALLELOGRAMM	CASQUILLO PARALELOGRAMA
7	F01230059R	DADO M12X1,75 D982 8ZN	LOCK-NUT M12X1,75 D982 8ZN	ECR.AUTO-FREI.M12X1,75 ZN	SICHERUNGSMUT.M12X1,75 D982 8ZN	TUER.DE SEGUR.M12X1,75 D982 ZN
8	F01060013R	VITE M6X1X20 U5731 8.8ZN	SCR. M6X1X20 U5732 4.6ZN	VIS 6X20 5732 4.6 ZN	SCHRAUBE 6X20 5732 4.6 ZN	TORNILLO 6X20 5732 4.6 ZN
9	G17722950R	RASCHIATERRA RUOTINI IX D300	WHEEL SOILSCRAPER IX D300			
10	F01420036R	ROS.M6 6,4X 18X1,5 U6593 ZN	WASHER M6 6,4X 18X1,5 U6593 ZN	RONDELLE M6 6,4X18X1,5 U6593ZN	SCHEIBEN M6 6,4X18X1,5U6593 ZN	ARANDELA M6 6,4X18X1,5U6593ZN
11	F01200232R	DADO M6X1 U5588 CL8 ZN	NUT M6X1 U5588 6.8ZN	ECROU 6 UNI 5588 6.8 ZN	MUTTER 6 UNI 5588 6.8 ZN	TUERCA 6 UNI 5588 6.8 ZN
12	F01230022R	DADO M6X1 D982 8ZN	NUT M6X1 D982 8ZN	ECROU AUTO-FREIN.M6X1 D982 8ZN	SICHERUNGSMUT. M6X1 D982 8 ZN	TUERCA DE SEGU.M6X1 D982 8 ZN
13	G17722970R	LAMA ESCLUSIONE RUOTINO ZN	WHEEL EXCLUSION BLADE			
14	F01020404R	VITE M6X1X20 U5739 8.8ZN	SCREW M6X1X20 U5739 8.8ZN	VIS M6X1X20 U5739 8.8ZN	SCHRAUBE M6X1X20 U5739 8.8ZN	TORNILLO M6X1X20 U5739 8.8ZN
15	F01200244R	DADO M8X1,25 U5588 CL8 ZN	NUT M8X1,25 U5588 6.8ZN	ECROU M8 X1,25 U5588 6.8 ZN	MUTTER M8 X1,25 U5588 6.8 ZN	TUERCA M8 X1,25 U5588 6.8 ZN
16	F01060041R	VITE M8X1,25X25 U5731 8.8ZN	SCR. M8X1,25X25 U5732 4.6ZN	VIS 8 X25 5732 4.6 ZN	SCHRAUBE 8 X25 5732 4.6 ZN	TORNILLO 8 X25 5732 4.6 ZN
17	F04010071R	CUSC.D20 D47 B20,6 3204 2RS	BEARING D20 D47 B20,6 3204			



**COLTRO A DISCO STRIATO
CORRUGATED DISC COULTER**

TAV. 160

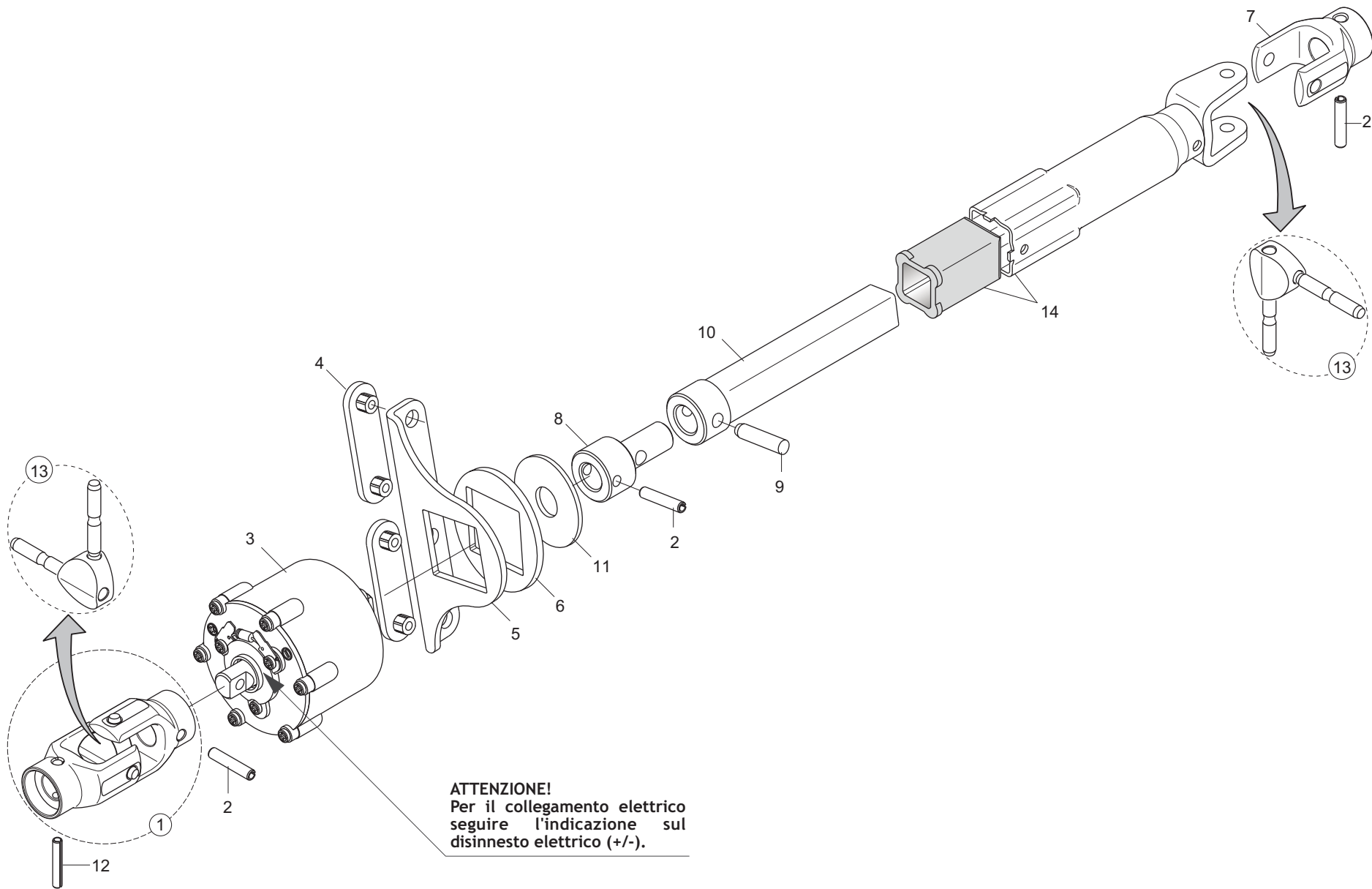
Pos.	Cod.	Descrizione	Description	Description	Benennung	Descripcion
1	GSP000286R	ASS.SUPPORTO COLTRO FISSO	ASS.SUPPORT COULTER FIXED			
2	GSP000287R	ASS.MOZZETTO	ASS. HUB			
3	F01020510R	VITE M12X1,75X30 U5739 8.8ZN	SCR. M12X1,75X30 U5739 8.8ZN	VIS M12X1,75X30 U5739 8.8ZN	SCHRAU.M12X1,75X30 U5739 8.8ZN	TORN. M12X1,75X30 U5739 8.8ZN
4	GA5220130R	DISCO STRIATO D.355	STRIPED DISC D.355			
5	F01030107R	VITE M12X1,75X30 U5933 10.9ZD	SCR. M12X1,75X30 U5933 10.9ZD	VIS M12X1,75X30 5933 10.9 ZN	SCHR.M12X1,75X30 U5933 10.9 ZN	TORN.M12X1,75X30 5933 10.9 ZN
6	F01220048R	DADO M12X1,75 D980 8ZN	NUT M12X1,75 D980 8ZN	ECROU M12X1,75 D980 8 ZN	SCHEIBE M12X1,75 D980 8 ZN	TUERCA M12X1,75 D980 8 ZN
7	GSP000288R	LAMIERA CONTENIMENTO	SHEET METAL OF RESTRAINT			
8	F01020152R	VITE M12X1,75X40 U5737 8.8ZN	SCR. M12X1,75X40 U5737 8.8ZN	VIS M12X1,75X40 U5737 8.8 ZN	SCHRAUBE M12X1,75X40U57378.8ZN	TORNIL.M12X1,75X40 U5737 8.8ZN
9	F01020517R	VITE M12X1,75X50 U5739 8.8ZN	SCR. M12X1,75X50 U5739 8.8ZN	VIS M12X1,75X50 5739 8.8 ZN	SCHRA. M12X1,75X50 5739 8.8 ZN	TORN. M12X1,75X50 5739 8.8 ZN
10	F01200079R	DADO M12X1,75 U5587 CL8 GEE GE	NUT M12X1,75 U5587 6S GE			
11	F01220048R	DADO M12X1,75 D980 8ZN	NUT M12X1,75 D980 8ZN	ECROU M12X1,75 D980 8 ZN	SCHEIBE M12X1,75 D980 8 ZN	TUERCA M12X1,75 D980 8 ZN
12	F01410076R	ROS.M12 13X 24X2,5 U6592 ZN	WASHER 12 13X 24X2,5 U6592 ZN	RONDEL. M12 13X24X2,5 U6592 ZN	SCHEIBE M12 13X24X2,5 U6592 ZN	ARANDELA M12 13 X24X2,5 ZN
13	F06120238R	TAPPO MOZZO DX DP	RIGHT HUB PLUG DP	BOUCHON MOYEU DP A VISSER DRT	NABENPFROPFEN RE DP	TAP N CUBO DER. DP
14	F01210091R	DADO M18X1,5 U5594 5.8BR	NUT M18X1,5 U5594 5.8BR			
15	F04050011R	CUSC.D20 D47 T15,25 30204	BEARING D20 D47 T15,25 30204	PALIER 30204	LAGER 30204	COJINETE 30204
16	F04050012R	CUSC.D25 D52 T16,25 30205	BEARING D25 D52 T16,25 30205	ROULEMENT 30205	LAGER 30205	COJINETE 30205
17	F03010061R	ANELLO T.A. 30X 52X 7 D3760NBR	OIL SEAL 30X52X7	PARE-HUILE 30X52X7	OELABDICHTUNG 30X52X7	PARA-ACEITE 30X52X7
18	GA5220650R	SUPPORTO SPARTIRESIDUI	SPREAD-LEFTOVER SUPPORT			
19	GA5220660R	BRACCIO DISCO APRI SOLCO	FURROWER DISC ARM	BRAS DISQUE OUVRE-TRACES	SCHEIBENARM SCHAR	BRAZO DISCO AB.SURC.
20	F01020254R	VITE M16X2X55 U5737 10.9ZD	SCR. M16X2X55 U5737 10.9ZD			
21	F01230059R	DADO M12X1,75 D982 8ZN	LOCK-NUT M12X1,75 D982 8ZN	ECR.AUTO-FREI.M12X1,75 ZN	SICHERUNGSMUT.M12X1,75 D982 8ZN	TUER.DE SEGUR.M12X1,75 D982 ZN
22	F01410100R	ROS.M16 17X 30X 3 U6592 ZN	WASHER M16 17X30X3 U6592 ZN	RONDELLE M16 17X30X3 ZN	SCHRAUBE M16 17X 30X3 U6592 ZN	ARANDELA M16 17X30X 3 U6592 ZN
23	F01230085R	DADO M16X2 D982 10ZN	NUT M16X2 D982 10ZN	ECROU M16X2 D982 10ZN	MUTTER M16X2 D982 10ZN	TUERCA M16X2 D982 10ZN
24	F06120239R	TAPPO MOZZO SX DP	LEFT HUB PLUG DP	BOUCHON MOYEU DP A VISSER GCH	NABENPFROPFEN LI DP	TAP N CUBO IZQ. DP



**SPARTIRESIDUI ROTATIVO
TRASH WHEEL**

TAV. 170

Pos.	Cod.	Descrizione	Description	Description	Benennung	Description
1	GSP000290R	ASS.SUPPORTO FISSO TRASH WHEEL	ASS.SUPPORT FIXED TRASH WHEEL			
2	GSP000291R	ASS.SUPP.MOBILE TRASH WHEELS	ASS.MOBILE SUPPORT TRA.WHEELS			
3	GA5223430R	MONT.STELLA SPARTIRES.D.305 DX	ASS.STAR D. RIGHT			
4	GA5223440R	MONT.STELLA SPARTIRES.D.305 SX	ASS.STAR D.305 LEFT			
5	F01220033R	DADO M10X1,5 D980 8ZN	NUT M10X1,5 D980 8ZN	ECROU M10X1,5 D980 8ZN	MUTTER M10X1,5 D980 8ZN	TUERCA M10X1,5 D980 8ZN
6	F01040118R	VITE M10X1,5X25 U5931 8.8ZN	SCR. M10X1,5X25 U5931 8.8ZN			
7	G18800060R	BOCCOLA 14,5 X22 X14	BUSHING D14,5X22X14			
8	F01220255R	DADO M14X2 D980 8ZN	NUT M14X2 D980 8ZN	ECROU M14X2 D980 8 ZN	MUTTER M14X2 D980 8 ZN	TUERCA M14X2 D980 8 ZN
9	F01020201R	VITE M14X2X55 U5737 8.8ZN	SCR. M14X2X55 U5737 8.8ZN	VIS M 14X55	SCHRAUBE M 14X55	TORNILLO M 14X55
10	G18700690R	RONDELLA 15 X40 X6 ZN	WASHER 15 X 40 X 6 ZN	RONDELLE 15 X40 X6 ZN	UNTERLEGSSCHEIBE 15 X40 X6 ZN	ARANDELA 15 X40 X6 ZN
11	G20970149R	RONDELLA D.15X28X1,5	WASHER D.15X28X1-5	RONDELLE D. 15X28X1-5	UNTERLEGSSCHEIBE D.15X28X1-5	ARANDELA D.15X28X1-5
12	GA5223460R	ASS.PERNO D12X56 C.ANTIROT.ZN	ASS.PIN D12X56 ANTIROT.ZN			
13	GSP000289R	ASS.PIASTRA DX TRASH WHEELS	ASS.PLATE RIGHT TRASH WHEELS			
14	F02200452R	SPINA SCATTO D.4.4 B 80 ZN	SNAP PIN D4.4 B 80 ZN	FICHE A DETENTE D4.4 B 80 ZN	EINRASTSTIFT D4.4 B 80 ZN	CLAVIJA DE MUELLE D4,4 B 80 ZN
15	F04010439R	CUSC. S-370 DWP D16 D73 B22.7	BEARI.S-370 DWP D16 D73 B22.7			
16	GSP000282R	DISCO SPARTI RESIDUI 12IN	DISC 12IN			
17	F01480033R	ROS.G 8,1X 12,7X 2 D7980 ZN	GROVER WASHER D8,1X12,7 D7980ZN	ROND.ELASTIQ D8,1X12,7 D7980ZN	FEDERRINGE D8,1X12,7 D7980 ZN	ARAND.ELICOI.D8,1X12,7 D7980ZN
18	F01020440R	VITE M8X1,25X25 U5739 8.8ZN	SCR. M8X1,25X25 U5739 8.8ZN	VIS M8X1,25X25 U5739 8.8 ZN	SCHRAUBE M8X1,25X25U5739 8.8ZN	TORNIL.M8X1,25X25 U5739 8.8 ZN
19	GA5223340R	VITE TE M16X60 FRESATA ZN	BOLT M16X60 ZN			
20	F01220266R	DADO M16X2 D980 8ZN	NUT M16X2 D980 8ZN	ECROU M16X 2 D980 8 ZN	MUTTER M16X 2 D980 8 ZN	TUERCA M16X 2 D980 8 ZN
21	GSP000285R	TAPPO STELLA SPARTIRESIDUI	TAP STAR			
22	G20980081R	BOCCOLA 25X12X16,25	BUSHING 25X12X16-25	BOITE 25X12X16-25	BSCHSE 25X12X16-25	CASQUILLO 25X12X16-25
23	F02200229R	COPIGLIA 5X 45 U1336 ZN	SPLIT PIN 5X 45 U1336 ZN	GOUPILLE 5X 45 U1336 ZN	SPANNSTIFT 5X 45 U1336 ZN	PASADOR 5X 45 U1336 ZN
24	G65337005R	MOLLA TRAZ.CAMBIO SV	TRACTION COUPLING SPRING- GEAR	RESSORT TRACT.BOITE DE VITESSE	ZUGFEDER GETRIEBE SV	MUELLE TRAC. CAMBIO SV
25	F02200226R	COPIGLIA 5X 25 U1336 ZN	SPLIT PIN 5 X25 1336 GALVAN.	GOUPILLE 5 X25 1336 ZN	SPLINT 5 X25 1336 ZN	PASADOR 5 X25 1336 ZN
26	GSP000284R	ASS.SUPPORTO DISCHI MOBILE	ASS.SUPPORT DISCS MOBILE			
27	GSP000283R	ASS.SUPPORTO DISCHI FISSO	ASS.SUPPORT DISCS FIXED			
28	F01220048R	DADO M12X1,75 D980 8ZN	NUT M12X1,75 D980 8ZN	ECROU M12X1,75 D980 8 ZN	SCHEIBE M12X1,75 D980 8 ZN	TUERCA M12X1,75 D980 8 ZN
29	F01020528R	VITE M12X1,75X40 U5739 10.9ZN	BOLT M12X1,75X40 U5739 10.9ZN	VIS M12X1,75X40 U5739 10.9 ZN	SCHR.M12X1,75X40 U5739 10.9 ZN	TORN.M12X1,75X40 U5739 10.9 ZN
30	G18700350R	RONDELLA 13 X32 X4 ZN	GROWER 13X32 ZN			
31	F01410076R	ROS.M12 13X 24X2,5 U6592 ZN	WASHER 12 13X 24X2,5 U6592 ZN	RONDEL. M12 13X24X2,5 U6592 ZN	SCHEIBE M12 13X24X2,5 U6592 ZN	ARANDELA M12 13 X24X2,5 ZN
32	GA5220640R	BRACCIO DISCHI SPARTIRESIDUI	DISCS ARM SPREADLEFTOVER			
33	G13642191R	PIOLO D.12X50	DOWEL D.12X50	ERGOT D.12X50	SPROSSE D.12X50	ESPIGA D.12X50
34	G68008044R	RUOTA STELLARE SX SPARTIRESID.	TRASH WHEEL LEFT			
35	G68008049R	RUOTA STELLARE DX SPARTIRESID.	TRASH WHEEL RIGHT			
36	F01410100R	ROS.M16 17X 30X 3 U6592 ZN	WASHER M16 17X30X3 U6592 ZN	RONDELLE M16 17X30X3 ZN	SCHRAUBE M16 17X 30X3 U6592 ZN	ARANDELA M16 17X30X 3 U6592 ZN
37	F02200363R	COPIGLIA R 3X 62 ZN	SPRING SPLIT PIN 3X 62 ZN	GOUPILLE R 3X62	SPLINT R 3X62	CHAVETA R 3X62
38	F01020254R	VITE M16X2X55 U5737 10.9ZD	SCR. M16X2X55 U5737 10.9ZD			
39	G17722000R	BOCCOLA SINT.16,25X28 L.13 PAR	BUSHING SINT.16,25X28 L.13 PAR			
40	F01230085R	DADO M16X2 D982 10ZN	NUT M16X2 D982 10ZN	ECROU M16X2 D982 10ZN	MUTTER M16X2 D982 10ZN	TUERCA M16X2 D982 10ZN
41	F01060045R	VITE M8X1,25X40 U5731 8.8ZN	SCR. M8X1,25X40 U5732 4.6ZN	VIS 8X40 5732 4.6 ZN	SCHRAUBE 8X40 5732 4.6 ZN	TORNILLO 8X40 5732 4.6 ZN
42	G68008045R	COPERCHIO MOZZO	HUB CAP CASTING, 4 BOLT, BLACK			
43	G17740210R	DISCO TRASH WHEEL	TRASH WHEEL DISK			
44	G68008048R	RONDELLA 1.50D X 21 321D	1.50D X 21 321D 3 16TK MA B			
45	G68008046R	MOZZO DISCO TRASH WHEEL	HUB AND BEARING ASSY,4 BOLT1			
46	F01220022R	DADO M8X1,25 D980 8ZN	NUT M8X1,25 D980 8ZN	ECROU M8X 1,25 D980 8 ZN	MUTTER M8X 1,25 D980 8 ZN	TUERCA M8X 1,25 D980 8 ZN
47	G17773260R	DADO FLANG.DENTELL.5 8-11	NUT FLANG.TOOTHED.5 8-11			



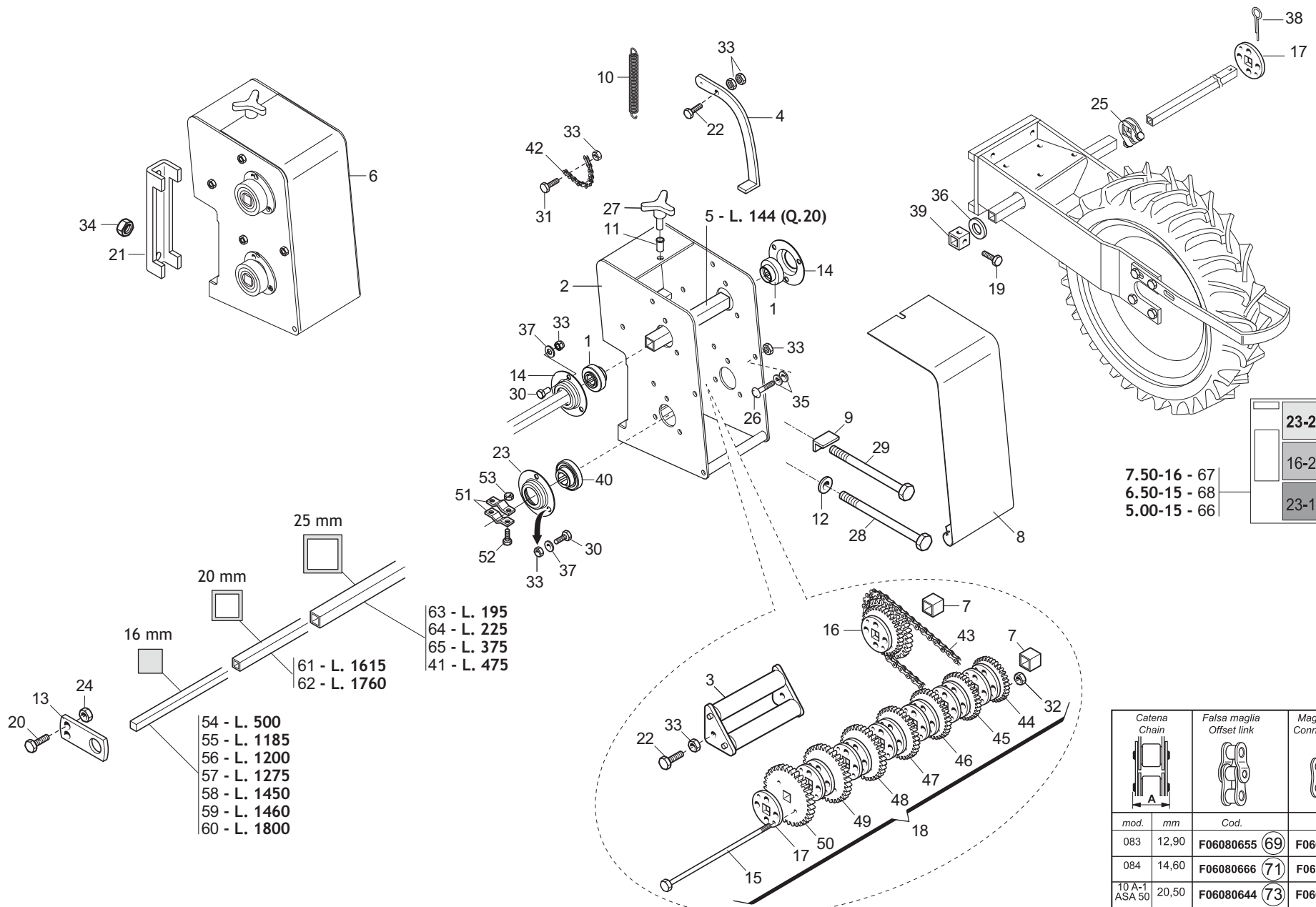
ATTENZIONE!
 Per il collegamento elettrico
 seguire l'indicazione sul
 disinnesto elettrico (+/-).

**ESCLUSIONE ELETTRICA FILE DI SEMINA
ELECTRIC ROW SHUT OFF**

TAV. 180

Pos.	Cod.	Descrizione	Description	Description	Benennung	Descripcion
1	GA5220510R	CROCIERA CARDANICA	CARDAN SPIDER			
2	F02100114R	SPINA E.P. 6X 30 U6873 C70 BR	ELASTIC PIN 6X30	GOUJON ELASTIQUE 6X30	SPANNHUELSE 6X30	ESPINA ELASTICA 6X30
3	G16033704R	DISINNESTO ELETTRICO SS	ELECTRIC DISENGAGEMENT SS			
4	G19003472R	PATTINO DI SCORRIMENTO	SLIDING SIDE BLOCK	PATIN DE GLISSEMENT		
5	GA5220521R	LAMIERA FERMO ROTAZIONE ZN	LOCK ROTATION			
6	G16033740R	DISTANZIALE DISINNESTO ELET.ZN	UNCOUPLING ELECTRIC SPACER	ENTRETOISE DEBRAYAGE LECT.	DISTANZST_CK AUSKUPPLUNG EL.	DISTANCIADOR DESCONEXIN EL.
7	G19204080R	FORCELLA	FORK			
8	GA5220490R	PERNO ZN	PIN ZN			
9	G66248057R	SPINA DI SICUREZZA SP	SAFETY PIN SP	BROCHE PLASTIC SECURITE CARDAN	SICHERHEITSTIFT SP	CLAVIJA DE SEGURIDAD SP
10	GA5220480R	INNESTO	CLUTCH			
11	G18701970R	RONDELLA 16X48X2,5	WASHER 16X48X2,5	RONDELLE 16X48X2,5	UNTERLEGSSCHEIBE 16X48X2,5	ARANDELA 16X48X2,5
12	F02100086R	SPINA E.P. 5X 30 U6873 C70 ZN	PIN EL. 5 X30 DIN 1481 GALVAN.	FICHE EL. 5 X30 DIN 1481 ZN	SPANNSTIFT 5 X30 DIN 1481 ZN	CLAVIJA EL.5 X30 DIN 1481 ZN
13	G22270454R	CROCIERA COMPL. SP S	KIT SPIDER 2 ITEMS	CROSILLON COMPL CARDAN TRANSM	GELENKKREUZ KOMPL. SP S	CRUCETA COMPL. SP S
14	GA5220450R	TUBO INNESTO CON FORCELLA	HOSE CONNECTION WITH FORK			

TAV. 190

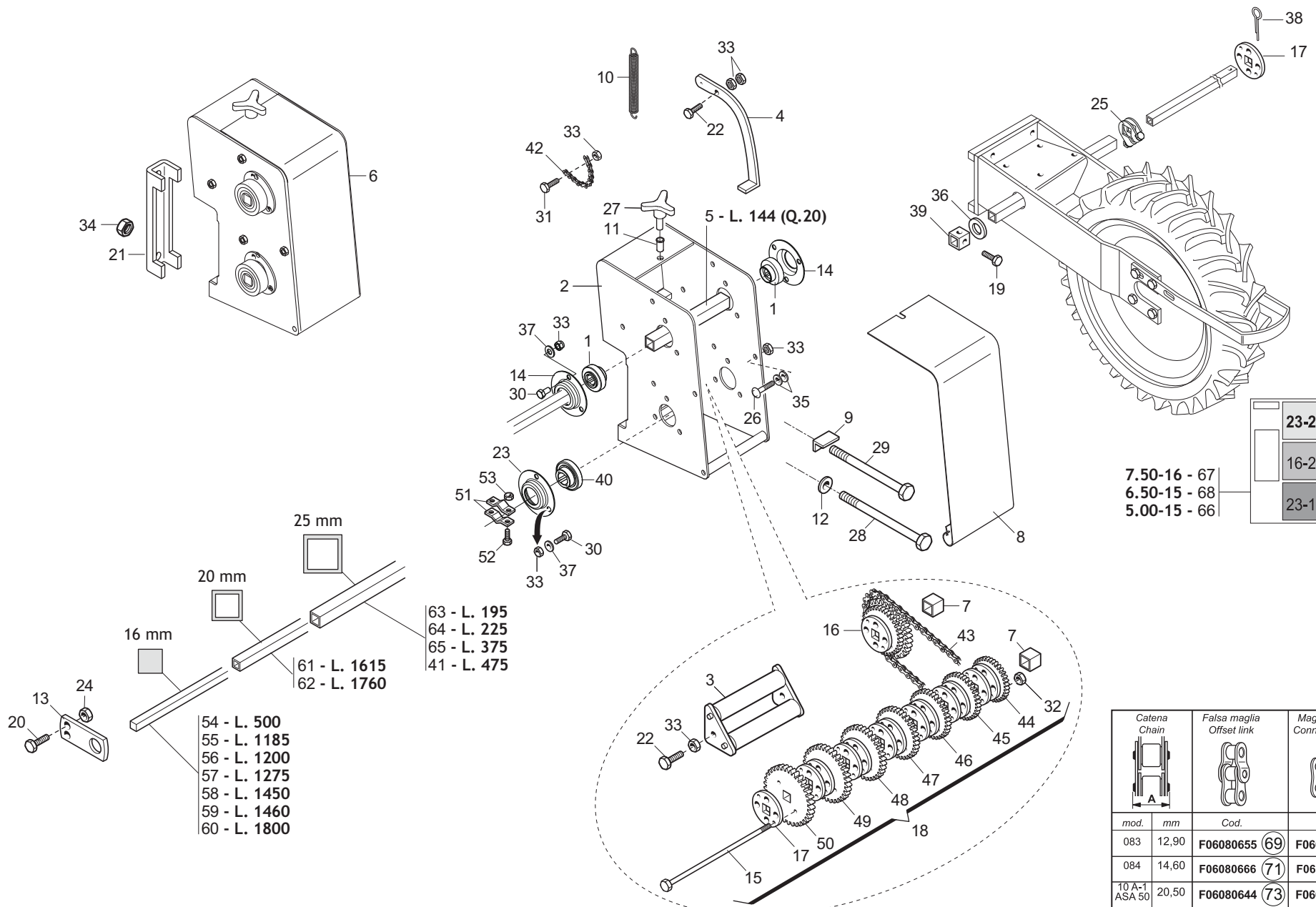


CAMBIO GEARBOX

TAV. 190

Pos.	Cod.	Descrizione	Description	Description	Benennung	Descripcion
1	G14830390R	CUSCINETTO FORO QUADRO	SQUARE-HOLED BEARING	ROULEMENT TROU CARRE	VIERKANTLAGER	COJINETE ORIFICIO CUADRADO
2	G15430292R	SCATOLA CAMBIO Q.150	GEARBOX Q.150	BOITE DE VITESSE Q.150	GETRIEBEKASTEN Q.150	CAJA DE CAMBIO VELOCIDAD Q.150
3	G15430321R	RULLO TENDICATENA	CHAIN STRETCHER ROLLER	ROULEAU TENDEUR DE CHAINE	KETTENSPANNROLLE	RODILLO TENSOR DE CADENA
4	G15430331R	LEVA CAMBIO	GEAR LEVER	LEVIER BOITE DE VITESSE	GETRIEBEBEBEL	PALANCA DE CAMBIO
5	G15430340R	ASSE INGRANAGGI L.144	GEAR SPINDLE L.144	AXE ENGRENAGES L144	ACHSE ZAHRNRZDER L.144	EJE ENGRANAJES L.144
6	G15430382R	SCATOLA CAMBIO COMPL.150	GEAR BOX COMPL. 150	BOITE DE VITESSE COMPL. 150	GETRIEBE KOMPL. 150	SCATOLA CAMBIO COMPL.150
7	G15430501R	DISTANZIALE INTERNO CAMBIO ZN	GEARBOX INNER SPACER	ENTRETOISE INT. BOITE VITESSE	INNERES DISTANZSTSCCK GETRIEBE	DISTANCIADOR INTERIOR CAMBIO
8	G15430711R	COPERCHIO CAMBIO	GEAR COVER	COUVERCLE BOITE DE VITESSE	GETRIEBEDECKEL	TAPA CAMBIO
9	G15431020R	FERMO VITE CAMBIO	GEAR BOLT STOP	ARRET VIS BOITE DE VITESSE	FESTSTELLVORRICH. GETRIEBESCHR	BLOQUEO TORNILLO
10	G18902970R	MOLLA TRAZ.CAMBIO ZN SP	GALVAN. GEAR TRACT. SPRING SP	RESS. TRACT. BOITE VITESSE ZN	ZUGFEDER GETRIEBE ZN SP	MUELLE TRAC. CAMBIO ZN SP
11	F02250683R	INSERTO FIL.M 8X17,5 ZN T.TOND	CYLINDRICAL NUT 8 TC 40	ECROU CYLINDRIQUE 8 TC 40	ZYLINDRISCHE MUTTER 8 TC 40	TUERCA CILINDRICA 8 TC 40
12	G20970142R	RONDELLA 32X4X15,5	WASHER 32X4X15-5	RONDELLE 32X4X15-5	UNTERLEGSSCHEIBE 32X4X15-5	ARANDELA 32X4X15-5
13	G15421520R	FERMO ASSI TRASMISSIONE	TRANSMISSION SHAFT STOP	BUT E AXES TRANSMISSION	ACHSENSPERREN ANTRIEB	TOPE EJES TRANSMIS N
14	G22230094R	SUPPORTO CUSCINETTO	BEARING SUPPORT	SUPPORT DE ROULEMENT	LAGERBSCHSE	SOPORTE COJINETE
15	G19203260R	VITE M5X115 ZN	BOLT M5X115 ZN	VIS M5X115 ZN	SCHRAUBE M5X115 ZN	TORNILLO M5X115 ZN
16	G22270152R	ING.Z 16-23 RUOTA-CAMBIO SP	WHEEL- GEARBOX GEARS SP	ENGR. Z 16-23 ROUE BOITE VIT.	ZAHNRAD Z 16-23 GETRIEBERAD SP	ENGRAN. Z 16-23 RUEDA-CAMBIO
17	G22270162R	RINFORZO INGR.ASSE DA 20 SP	AXLE GEAR REINFORCEMENT 20 SP	RENFORC. ENGREN. AXE DE 20 SP	VERSTZRKUNG ACHSZAHNRAD 20 SP	REFUERZO ENGRAN. EJE DE 20 SP
18	G22270163R	BLOCCO CAMBIO ASSE DA 20 SP	20 CM SPINDLE GEARBOX SP	ENSEMBLE BOITE DE VITESSE	GETRIEBEBLOCK ACHSE 20 SP	BLOQUE CAMBIO EJE DE 20 SP
19	F01020403R	VITE M6X1X16 U5739 8.8ZN	SCR. M6X1X16 U5739 8.8ZN	VIS M6X1X16 U5739 8.8 ZN	SCHRAUBE M6X1X16 U5739 8.8 ZN	TORNILLO M6X1X16 U5739 8.8 ZN
20	F01020404R	VITE M6X1X20 U5739 8.8ZN	SCREW M6X1X20 U5739 8.8ZN	VIS M6X1X20 U5739 8.8ZN	SCHRAUBE M6X1X20 U5739 8.8ZN	TORNILLO M6X1X20 U5739 8.8ZN
21	G15110091R	SCONTRO A U	CONTRA U	BRIDE 150 MM	ANSCHLAG	ELEMENTO DE EMPALME
22	F01020445R	VITE M8X1,25X30 U5739 8.8ZN	SCR. M8X1,25X30 U5739 8.8ZN	VIS M 8X1,25X30 U5739 8.8 ZN	SCHRAU, M8X1,25X30 U5739 8.8ZN	TORN. M8X1,25X30 U5739 8.8 ZN
23	G22500092R	SUPPORTO CUSCINETTO	BEARING SUPPORT	SUPPORT PALIER	LAGERBSCHSE	SOPORTE COJINETE
24	F01220011R	DADO M6X1 D980 8ZN	NUT M6X1 D980 8ZN	ECROU M6X1 D980 8 ZN	MUTTER M6X1 D980 8 ZN	TUERCA M6X1 D980 8 ZN
25	G22505085R	FERMO ASSE IN LAMIERA	PLATE AXLE STOP	ARRET AXE EN TOLE	FESTSTELLVORRICHTUNG BLECHACHS	BLOQUEO EJE DE CHAPA
26	F01060040R	VITE M8X1,25X20 U5731 8.8ZN	SCR. M8X1,25X20 U5732 4.6ZG	VIS M8X1,25X20 U5732 4.6 ZN	SCHRA. M8X1,25X20 U5732 4.6 ZN	TORN. M8X1,25X20 U5732 4.6 ZN
27	F06220018R	VOLANTINO 3LOBI D.65-M8X15	3-LOBE HANDWHEEL D.65-M8X15			
28	F01020225R	VITE M14X2X160 U5737 8.8BR	SCR. M14X2X160 U5737 8.8BR	VIS M 14 X160 5737 8.G	SCHRAUBE M 14 X160 5737 8.G	TORNILLO M 14 X160 5737 8.G
29	F01020233R	VITE M14X2X200 U5737 8.8BR	SCR. M14X2X200 U5737 8.8BR	VIS M14X2X 200 U5737 8.8 ZB	SCHRAUBE M14X 2X200 U5737 8.8	TORNILLO M14X2X200 5737 8.8 ZB
30	F01020432R	VITE M8X1,25X16 U5739 8.8ZN	SCR. M8X1,25X16 U5739 8.8ZN	VIS M8 X1,25X16 U5739 8.8 ZN	SCHRAUBE M8X1,25X16U5739 8.8ZN	TORNILLO M8X1,25X16U5739 8.8ZN
31	F01020449R	VITE M8X1,25X35 U5739 8.8ZN	SCR. M8X1,25X35 U5739 8.8ZN	VIS M8X1,25X35 U5739 8.8ZN	SCHRA. M8X1,25X35 U5739 8.8ZN	TORN. M8X1,25X35 U5739 8.8ZN
32	F01200220R	DADO M5X0,8 U5588 CL8 ZN	NUT M5X0,8 U5588 6.8ZN	ECROU 5 UNI 5588 6.8 ZN	MUTTER 5 UNI 5588 6.8 ZN	TUERCA 5 UNI 5588 6.8 ZN
33	F01200244R	DADO M8X1,25 U5588 CL8 ZN	NUT M8X1,25 U5588 6.8ZN	ECROU M8 X1,25 U5588 6.8 ZN	MUTTER M8 X1,25 U5588 6.8 ZN	TUERCA M8 X1,25 U5588 6.8 ZN
34	F01200306R	DADO M14X2 U5588 CL8 ZN	NUT M14X2 U5588 6.8ZN	ECROU M14X2	MUTTER M14X2	DADO M14X2
35	F01410051R	ROS.M8 8,4X 17X1,6 U6592 ZN	WASHER M8 8,4X17X1,6 U6592 ZN	RONDELLE M8 8,4X17X1,6 ZN	SCHEIBE M8 8,4X17X1,6 U6592 ZN	ARANDELA M8 8,4X17X1,6 U6592ZN
36	G22500085R	RONDELLA D.38X70XSP.5 PVC	WASHER D.38X70X5 PVC	RONDELLE D.38X70X5 PVC	UNTERLEGSSCHEIBE D.38X70X5 PVC	ARANDELA D.38X70X5 PVC
37	F01430059R	ROS.M8 8,4X 15X0,8 U8842J ZN	WASHER M8 8,4X15X0,8 U8842J ZN	ROND. M8 8,4X 15X0,8 U8842J ZN	SCHEIBE M8 8,4X15X0,8 U8842JZN	ARAND. M8 8,4X15X0,8 U8842J ZN
38	F02200229R	COPIGLIA 5X 45 U1336 ZN	SPLIT PIN 5X 45 U1336 ZN	GOUPILLE 5X 45 U1336 ZN	SPANNSTIFT 5X 45 U1336 ZN	PASADOR 5X 45 U1336 ZN
39	G22500084R	FERMO ASSE CAVO DA 25	SPINDLE STOP- 25 CABLE	ARRET AXE CREUX DE 25	FESTSTELLVORR. ACHSE KABEL ZU	BLOQUEO EJE CABLE DE 25
40	G16631040R	CUSC.D35-DE55 B10 61907 FQ20,5	BEARING D35-55 B10 61907 20,5			
41	G22500116R	TUBO L=475	PIPE L=475	TUBE L=475	ROHR L=475	TUBO L=475
42	F06080008R	CATENA 1 2 ISO 083 16 MAGLIE	CHAIN 1 2 ISO 083 16 LINKS	TRON ON CHA NE 1 2-3 16 16 MAI	KET.ABSCHN.1 2-3 16 16 GLIEDER	TRAMO CAD.1 2-3 16 16 ESLABONE
43	F06080230R	CATENA 5 8 ASA 50 L 46 MAGLIE	CHAIN 5 8 ASA 50 L 46 LINKS	CHAINE 5 8 ASA 50 L 46 MAILLE	KETTE 5 8 ASA 50 L 46 GLIEDER	CADENA 5 8 ASA 50 L 46 ESLABO
44	G66248162R	INGRANAGGIO Z-17 SP	GEAR Z-17 SP	ENGRENAGE Z-17 SP	ZAHNRAD Z-17 SP	ENGRANAJE Z-17 SP
45	G66248163R	INGRANAGGIO Z-18 SP	GEAR Z-18 SP	ENGRENAGE Z-18 SP	ZAHNRAD Z-18 SP	ENGRANAJE Z-18 SP
46	G66248164R	INGRANAGGIO Z-19 SP	GEAR Z-19 SP	ENGRENAGE Z-19 SP	ZAHNRAD Z-19 SP	ENGRANAJE Z-19 SP
47	G66248165R	INGRANAGGIO Z-20 SP	GEAR Z-20 SP	ENGRENAGE Z-20 SP	ZAHNRAD Z-20 SP	ENGRANAJE Z-20 SP
48	G66248166R	INGRANAGGIO Z-21 SP	GEAR Z-21 SP	ENGRENAGE Z-21 SP	ZAHNRAD Z-21 SP	ENGRANAJE Z-21 SP
49	G66248167R	INGRANAGGIO Z-22 SP	GEAR Z-22 SP	ENGRENAGE Z-22 SP	ZAHNRAD Z-22 SP	ENGRANAJE Z-22 SP
50	G66248168R	INGRANAGGIO Z-23 SP	GEAR Z-23 SP	ENGRENAGE Z-23 SP	ZAHNRAD Z-23 SP	ENGRANAJE Z-23 SP
51	G22500102R	FERMO ASSI	AXLE STOP	ARRET AXES	FESTSTELLVORRICHTUNG ACHSEN	BLOQUEO EJES
52	F01020380R	VITE M5X0,8X20 U5739 8.8ZN	SCR. M5X0,8X20 U5739 8.8ZN	VIS M5X0,8X20 U5739 8.8ZN	SCHRAUBE M5X0,8X20 U5739 8.8ZN	TORNILLO M5X0,8X20 U5739 8.8ZN
53	F01220200R	DADO M5X0,8 D980 8ZN	NUT M5X0,8 D980 8ZN	ECROU M5X 0,8 D980 8 ZN	MUTTER M5X 0,8 D980 8 ZN	TUERCA M5X 0,8 D980 8 ZN
54	G22270127R	ASSE RUOTA CAMBIO 2F.L.500 SP	WHEEL AXLE - GEARBOX 2-ROW L.	AXE ROUE BOITE DE VITESSE	GEBTRIEBERADACHSE 2R.L.500 SP	EJE RUEDA CAMBIO 2 FILAS. L.50
55	G15120431R	ASSE TRASMISSIONE L.1185	TRANSMISSION AXLE L1185	AXE TRANSMISSION L.1185	SBERTRAGUNGSACHSE L.1185	EJE TRANSMISI N L 1185

TAV. 190

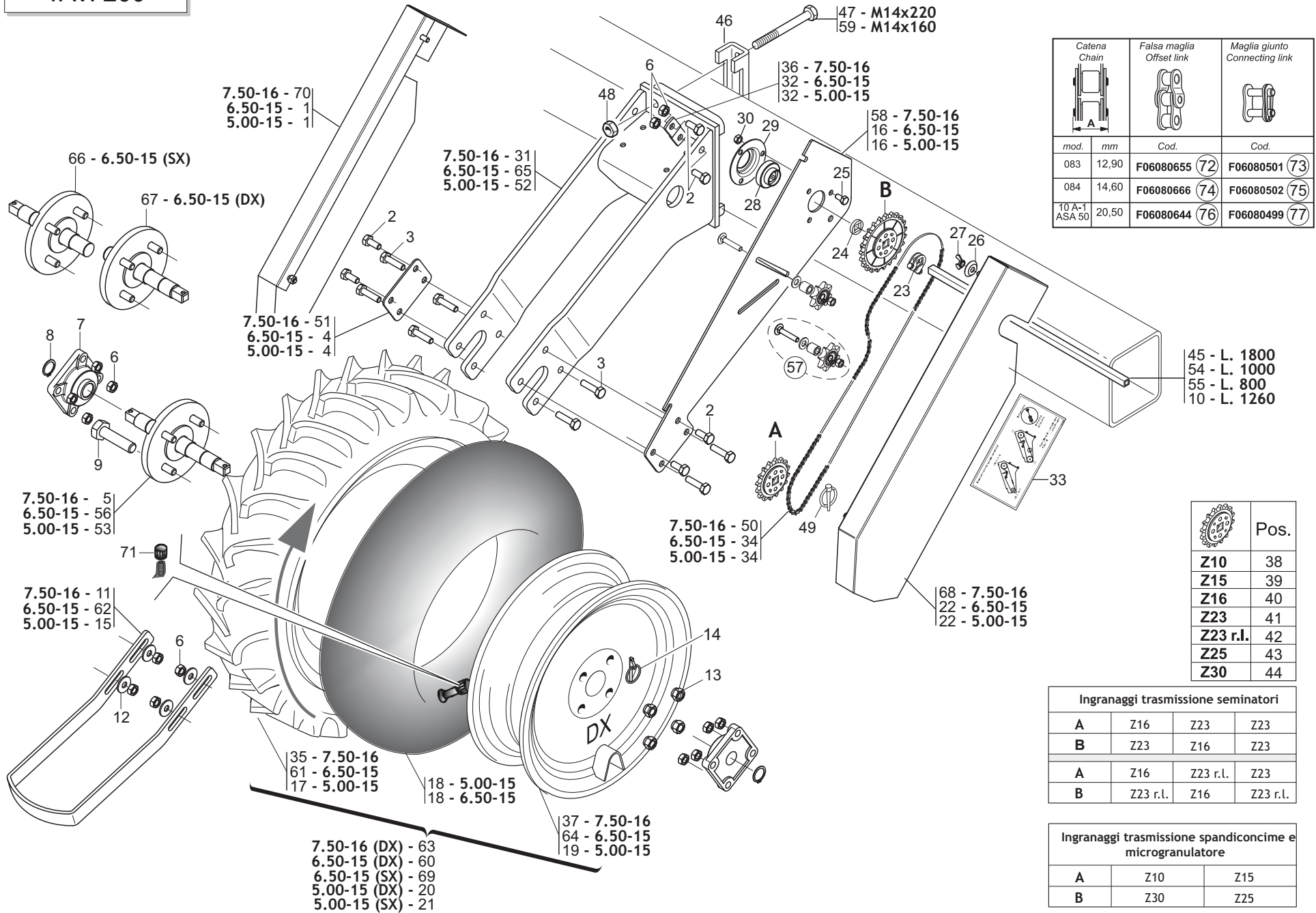





CAMBIO GEARBOX

TAV. 190


Pos.	Cod.	Descrizione	Description	Description	Benennung	Descripcion
56	G22270049R	ASSE 4F.85-6F.50 L.1260	4-ROW SPINDLE - 85-6-ROW-50 L.	AXE 4 RANGEES 85-6 RANGEES 50	ACHSE 4 REIHEN 85-6 REIH. 50	EJE 4 FILAS. 85-6 FILAS. 50 L.
57	G22500105R	ASSE SX L=1275	AXLE LEFT L=1275	AXE GCH. L=1275	ACHSE LINKS L=1275	EJE IZQ. L=1275
58	G15131070R	ASSE TR.SEMIN.L.1450 5 FORI	SEED.TRANS.AXLE L1450 5HOLES			
59	G20860090R	ASSE SX 5F.60 L.1460	AXLE- LEFT 5-R.60 L.1460	AXE GCH. 5 RANGEES 60 L. 1460	ACHSE LI 5R.F.60 L.1460	EJE IZQ. 5 FILA. 60 L.1460
60	G20870028R	ASSE SERB.LATO TRAS.6F.L.1800	AXLE- GEARBOX SIDE- 6-ROW L.18	AXE RESERVOIR COTE ENTRAINEMEN	ACHSE BEHZLTER ANTRIEBSS. 6F.L	EJE DEP S. LADO TRANS. 6 FILA
61	G22500096R	TUBO ASSE L=1615	PIPE AXLE L=1615	TUBE AXE L=1615	ROHR ACHSE L=1615	TUBO EJE L=1615
62	G15231970R	TUBO Q. 20X1,2X1760 INOX	SQ.TUBE 20X1,2X1760 INOX			
63	G22500103R	TUBO F.75 L=195	PIPE F.75 L=195	TUBE F. 75 L=195	SCHLAUCH F.75 L=195	TUBO F.75 L=195
64	G22500098R	TUBO F.75 L=225	PIPE F.75 L=225	TUBE F. 75 L=225	SCHLAUCH F.75 L=225	TUBO F.75 L=225
65	G22500086R	ASSE CAVO DA 25	SPINDLE- 25 CABLE	AXE 25 X 375	ACHSE KABEL ZU 25	EJE CABLE DE 25
66	G19701403R	DECAL.CAMBIO RUOTA 5,00-15	DECAL.WHEEL 5,00-15			
67	G19701452R	DECAL.CAMBIO RUOTA 7,50-16	LABEL WHEEL GEAR 7,50-16			
68	G19701414R	DECAL.CAMBIO RUOTA 6,50-15 R26	DECAL.WHEEL 6,50-15 R26			
69	F06080655R	FALSA MAGLIA CAT.1 2 ISO 083	DUMMY CHAIN LINK 1 2 ISO 083	FAUSSE MAILLE CHAINE 1 2 ISO 0	FALSCHES GLIED 1 2 ISO 083	ESLAB N FICTICIO CAD. 1 2 ISO
70	F06080501R	GIUNZIONE CATENA 1 2 ISO 083	CHAIN JOINT 1 2 ISO 083	JONCTION CHAINE 1 2 ISO 083	KETTENVERBINDUNG 1 2 ISO 083	UNI N CADENA 1 2 ISO 083
71	F06080666R	FALSA MAGLIA CAT.1 2 ISO 084-1	CHAIN EYE CAT. 1 2 ISO 084-1			
72	F06080502R	GIUNZIONE CATENA 1 2 ISO 084-1	CHAIN JUNCTION 1 2 ISO 084-1			
73	F06080644R	FALSA MAGLIA CAT.5 8 ASA 50LUB	DUMMY CHAIN LINK 5 8 ASA 50LUB	FAUSSE MAILLE CHAINE ASA 50LUB	FALSCHES GLIED 5 8 ASA 50LUB	ESLAB N FICTICIO CAD.5 8 ASA50
74	F06080499R	GIUNZIONE CATENA 5 8 ASA 50LUB	CHAIN JOINT 5 8 ASA 50LUB	JONCTIONS CHAINE 5 8 ASA 50LUB	KETTENVERBINDUNG 5 8 ASA 50LUB	UNIONES CADENA 5 8 ASA 50LUB

TAV. 200



Catena Chain	Falsa maglia Offset link	Maglia giunto Connecting link	
			
mod.	mm	Cod.	Cod.
083	12,90	F06080655 (72)	F06080501 (73)
084	14,60	F06080666 (74)	F06080502 (75)
10 A-1 ASA 50	20,50	F06080644 (76)	F06080499 (77)

- 45 - L. 1800
- 54 - L. 1000
- 55 - L. 800
- 10 - L. 1260

	Pos.
Z10	38
Z15	39
Z16	40
Z23	41
Z23 r.l.	42
Z25	43
Z30	44

Ingranaggi trasmissione seminatori			
A	Z16	Z23	Z23
B	Z23	Z16	Z23

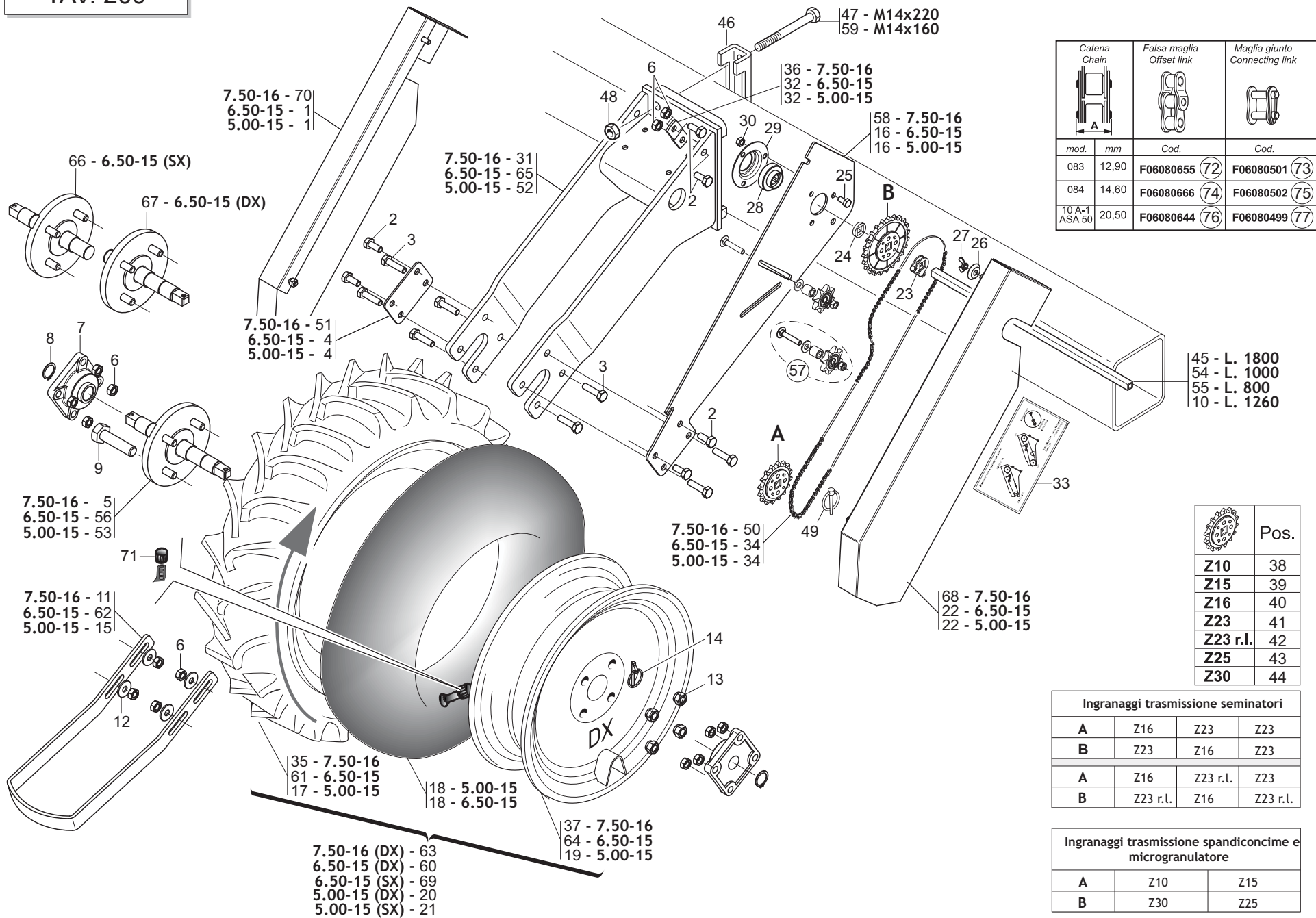
Ingranaggi trasmissione spandiconcime e microgranulatore		
A	Z10	Z15
B	Z30	Z25



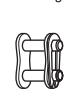
RUOTE DI TRASMISSIONE DRIVE WHEELS

TAV. 200


Pos.	Cod.	Descrizione	Description	Description	Benennung	Description
1	G16630361R	CARTER SX	LEFT PROTECTION			
2	F01020472R	VITE M10X1,5X25 U5739 8.8ZN	SCR. M10X1,5X25 U5739 8.8ZN	VIS M10X1,5X25 U5739 8.8 ZN	SCHRAUBE M10X1,5X25 U5739 8.8	TORNILLO 10X25 U5739 8.8 ZN
3	F01020483R	VITE M10X1,5X40 U5739 10.9ZD	SCR. M10X1,5X40 U5739 10.9ZD	VIS M10X1,5X40 U5739 10.9 ZD	SCHRA.M10X1,5X40 U5739 10.9 ZD	TORN. M10X1,5X40 U5739 10.9 ZD
4	G16630380R	SCONTRIO 100X70-3 4F11 70X40	STRIKER PLATE 100X70-3 4F	BUTEE 100X70-3 4F	ANSCHLAG 100X70-3 4F	ELEMENTO DE EMPALME 100X70-3 4
5	G15231162R	ASSE RUOTA 7,50X16	ASS. AXIS WHEEL 7,50X16			
6	F01200270R	DADO M10X1,5 U5588 CL8 ZN	NUT M10X1,5 U5588 6.8ZN	ECROU M10X 1,5 U5588 6.8 ZN	MUTTER M10X 1,5 U5588 6.8 ZN	TUERCA M10X 1,5 U5588 6.8 ZN
7	F04100137R	SUPPORTO FY 25 TF	SUPPORT FY 25 TF			
8	F02050101R	ANELLO E. DE 25X 1,2 U7435 C7	SEEGER RING E. 25X1,2 7435 C70	SEEGER E. 25X 1,2 U7435 C70	SEEGERING E. 25X 1,2 U7435 C70	ANILLO E. 25X 1,2 U7435 C70
9	F01010365R	VITE M18X1,5X50 U5740 8.8ZN	SCR. M18X1,5X50 U5740 8.8ZN	VIS M18X1,5X50 U5740 8.8 ZN	SCHRAUBE 18X1,5X50 U5740 8.8ZN	TORNI. M18X1,5X50 U5740 8.8ZN
10	G22270049R	ASSE 4F.85-6F.50 L.1260	4-ROW SPINDLE - 85-6-ROW-50 L.	AXE 4 RANGEES 85-6 RANGEES 50	ACHSE 4 REIHEN 85-6 REIH. 50	EJE 4 FILAS. 85-6 FILAS. 50 L.
11	G15231171R	RASCHIATERRA RUOTA 7,50X16	WHEEL SOIL SCRAPER 7,50X16	RACLEUR ROUE 7,50X16	ERDSCHABER RAD 7,50X16	RASCADOR TIERRA RUEDA 7,50X16
12	F01420060R	ROS.M10 10,5X 30X2,5 U6593 ZG	GALV.WASHER 10,5X30X2,5 U6593	RONDELLE 10,5X30	SCHEIBE 10,5X30	ARANDELA 10,5X30
13	F01250040R	DADO COLON. 12X1.5 ZN	COLUMN NUT M12X1.5 STUD BOLT	ECROU M12X1. 5 COLONNE	SCHRAUBBOLZENMUTTER M12X1.5	TUERCA 12X1.5 COLUMNA
14	F02200452R	SPINA SCATTO D.4.4 B 80 ZN	SNAP PIN D4.4 B 80 ZN	FICHE A DETENTE D4.4 B 80 ZN	EINRASTSTIFT D4.4 B 80 ZN	CLAVIJA DE MUELLE D4.4 B 80 ZN
15	G15430090R	RASCHIATERRA	SOIL SCRAPER	RACLEUR	ERDSCHABER	RASCADOR TIERRA
16	G16630311R	SUPPORTO TRASMISSIONE SP540	TRASM.SUPPORT SP541			
17	F06120170R	COPERTURA 5.00-15 IM 110 6PR	TYRE 500-15 IM110 4PR	COUVERTURE 500-15 IM110 4PR	MANTEL 500-15 IM110 4PR	CUBIERTA 500-15 IM110 4PR
18	F06120134R	CAMERA X R5.00-15 E 6.5 80-15	INNER TUBE R5.00-15 6.5 80-15	CHAMBRE R5.00-15 6.5 80-15	KAMMER R5.00-15 6.5 80-15	CAMARA R5.00-15 6.5 80-15
19	F06120206R	CERCHIO 3.00 D 15 PV RAL 9001	RIM 3.00 D 15 PV RAL 9002			
20	F06120113R	RUOTA COMPL.5.00-15 6PR DX	COMPL. WHEEL 5.00-15 6PR RH.	ROUE COMPL. 5.00-15 6PR DRT.	RAD KOMPL.5.00-15 6PR RE	RUEDA COMPL.5.00-15 6PR DER.
21	F06120114R	RUOTA COMPL.5.00-15 6PR PV-SX	COMPL. WHEEL 5.00-15 6PR PV-SX	ROUE COMPL. 5.00-15 6PR PV-SX	RAD KOMPL.5.00-15 6PR PV-SX	RUEDA COMPL.5.00-15 6PR PV-SX
22	G16630351R	CARTER DX	RIGHT CARTER			
23	G22505085R	FERMO ASSE IN LAMIERA	PLATE AXLE STOP	ARRET AXE EN TOLE	FESTSTELLVORRICHTUNG BLECHACHS	BLOQUEO EJE DE CHAPA
24	G66248218R	RONDELLA DISTAN.SPAND.	MAN. SPR. SPACER WASHER	RONDELLE ENTRETOISE EP. ENGRAI	ABSTANDSCHEIBE DSNGERSTREUER	ARANDELA DISTAN.ABONAD.
25	F01020432R	VITE M8X1,25X16 U5739 8.8ZN	SCR. M8X1,25X16 U5739 8.8ZN	VIS M8 X1,25X16 U5739 8.8 ZN	SCHRAUBE M8X1,25X16U5739 8.8ZN	TORNILLO M8X1,25X16U5739 8.8ZN
26	G22220083R	RONDELLA AD IMBOCCO	LEAD-IN WASHER	RONDELLE EMBOUTIE	TRICHTERSCHEIBE	ARANDELA DE MUESCA
27	F01240024R	DADO M8X1,25 U5448 5.8ZN	NUT M8X1,25 U5448 5.8ZN	ECROU 8 UNI 5448 5.8 ZN	MUTTER 8 UNI 5448 5.8 ZN	TUERCA 8 UNI 5448 5.8 ZN
28	G14830390R	CUSCINETTO FORO QUADRO	SQUARE-HOLED BEARING	ROULEMENT TROU CARRE	VIERKANTLAGER	COJINETE ORIFICIO CUADRADO
29	G22230094R	SUPPORTO CUSCINETTO	BEARING SUPPORT	SUPPORT DE ROULEMENT	LAGERBSCHSE	SOPORTE COJINETE
30	F01220022R	DADO M8X1,25 D980 8ZN	NUT M8X1,25 D980 8ZN	ECROU M8X 1,25 D980 8 ZN	MUTTER M8X 1,25 D980 8 ZN	TUERCA M8X 1,25 D980 8 ZN
31	G15231141R	SUPPORTO RUOTA 7.50	WHEEL SUPPORT 7.50	SUPPORT ROUE 7.50	RADLAGER 7.50	SOPORTE RUEDA 7.50
32	G16630320R	ATTACCO AL SUPPORTO RUOTA ZN	SUPP. WHEEL COUPLING			
33	G19704690R	DECAL.DISP.CATENE INGR.R.POST.	DECAL.DEV.CHAIN INGR.R.POST.			
34	F06080168R	CATENA 5 8 ISO 10B 86 MAGLIE	CHAIN 5 8 ASA 50 L 86 LINKS	CHAINE 5 8 ASA 50 L 86 MAILLE	KETTE 5 8 ASA 50 L 86 GLIEDER	CADENA 5 8 ASA 50 L 86 ESLABO
35	F06120400R	COPERTURA 7.50-16 IM110 8PR TU	TYRE 7.50-16 IM110 8PR TU			
36	G15231330R	ATTACCO AL SUPPORTO RUOTA	SUPP. WHEEL COUPLING	FIXATION SUPPORT ROUET	KUPPLUNG HALT. KL. RAD	CONEXIN SOP. RUEDECILLA
37	F06120208R	CERCHIO 7.50-16 PV TU	RING 7.50-16 PV TU	JANTE 7.50-16 PV TU	REIFEN 7.50-16 PV TU	LLANTA 7.50-16 PV TU
38	G22220113R	INGRANAGGIO Z-10 FERRO	GEAR Z-10 IRON	ENGRENAGE Z-10 FER	ZAHNRAD Z-10 EISEN	ENGRANAJE Z-10 HIERRO
39	G16630390R	PIGNONE Z-15 ZN	PINION Z-15 ZN	PIGNON Z-15 ZN	RITZE Z-15 ZN	PINION Z-15 ZN
40	G16630400R	PIGNONE Z-16 ZN.	PINION Z-16 ZN.	PIGNON Z-16 ZN.	RITZE Z-16 ZN.	PINION Z-16 ZN.
41	G16630410R	PIGNONE Z-23 ZN.	PINION Z-23 ZN.	PIGNON Z-23 ZN.	RITZE Z-23 ZN.	PINION Z-23 ZN.
42	G16631120R	INGRANAGGIO R.LIB. Z-23 CSK30	FREE WHEEL GEAR Z-23 CSK30	ENGRENAGE Z23 ROUE LIBRE CSK30	ZAHNRAD FREILAUF Z-23 CSK30	ENGRANAJE R.LIBRE Z-23 CSK30
43	G16630420R	PIGNONE Z-25 ZN.	PINION Z-25 ZN.	PIGNON Z-25 ZN.	RITZE Z-25 ZN.	PINION Z-25 ZN.
44	G16630430R	PIGNONE Z-30 ZN.	PINION Z-30 ZN.	PIGNON Z-30 ZN.	RITZE Z-30 ZN.	PINION Z-30 ZN.
45	G20870028R	ASSE SERB.LATO TRAS.6F.L.1800	AXLE- GEARBOX SIDE- 6-ROW L.18	AXE RESERVOIR COTE ENTRAINEMEN	ACHSE BEHZLTER ANTRIEBSS. 6FL	EJE DEP S. LADO TRANS. 6 FILA
46	G15110091R	SCONTRIO A U	CONTRA U	BRIDE 150 MM	ANSCHLAG	ELEMENTO DE EMPALME
47	F01020236R	VITE M14X2X220 U5737 8.8BR	SCR. M14X2X220 U5737 8.8BR	VIS M14X2X220 U5737 8.8 BR	SCHRAUBE M14X2X220 U5737 8.8	TORNILLO M14X2X220 U5737 8.8
48	F01200306R	DADO M14X2 U5588 CL8 ZN	NUT M14X2 U5588 6.8ZN	ECROU M14X2	MUTTER M14X2	DADO M14X2
49	F02200452R	SPINA SCATTO D.4.4 B 80 ZN	SNAP PIN D4.4 B 80 ZN	FICHE A DETENTE D4.4 B 80 ZN	EINRASTSTIFT D4.4 B 80 ZN	CLAVIJA DE MUELLE D4.4 B 80 ZN
50	F06080245R	CATENA 5 8 ISO 10B 94 MAGLIE	CHAIN 5 8 ASA 50 L 94 LINKS	CHAINE 5 8 ASA 50 L 94 MAILLE	KETTE 5 8 ASA 50 L 94 GLIEDER	CADENA 5 8 ASA 50 L 94 ESLABO
51	G22270284R	ATTACCO RASCHIATERRA SP S	SOIL SCRAPER COUPLING SP S	FIXATION RACLEUR SP S	KUPPLUNG ERDABSCHABER SP S	CONEXI N RASPADOR SP S
52	G16630290R	SUPPORTO RUOTA 5,00-15	WHEEL SUPPORT 5,00-15	SUPPORT ROUE 5,00-15	RADLAGER 5,00-15	SOPORTE RUEDA 5,00-15
53	G22270280R	ASSE RUOTA TRASM.NORMALE SP S	NORMAL DRIVE WHEEL AXLE	AXE ROUE ENTRAINEMENT 5.00-15	RADACHSE NORMALER ANTRIEB SP S	EJE RUEDA TRANS. NORMAL SP S
54	G22230138R	ASSE CAMBIO 4F.80-6F.45 L.1000	GEAR SPINDLE 4-ROW 80- 6-ROW.4	AXE BOITE DE VITESSE 4 RA	GATRIEBACHSE 4 R. 80-6 R.45 L	EJE CAMBIO 4 FILAS. 80-6 FILAS
55	G22230142R	ASSE 4 FILE L.800	4-ROW SPINDLE L.800	AXE 4 RANGEES L. 800	ACHSE 4 REIHEN B. 800	EJE 4 FILAS L.800

TAV. 200



Catena Chain	Falsa maglia Offset link	Maglia giunto Connecting link	
			
mod.	mm	Cod.	Cod.
083	12,90	F06080655 (72)	F06080501 (73)
084	14,60	F06080666 (74)	F06080502 (75)
10 A-1 ASA 50	20,50	F06080644 (76)	F06080499 (77)

45 - L. 1800
54 - L. 1000
55 - L. 800
10 - L. 1260

	Pos.
Z10	38
Z15	39
Z16	40
Z23	41
Z23 r.l.	42
Z25	43
Z30	44

Ingranaggi trasmissione seminatori			
A	Z16	Z23	Z23
B	Z23	Z16	Z23
A	Z16	Z23 r.l.	Z23
B	Z23 r.l.	Z16	Z23 r.l.

Ingranaggi trasmissione spandiconcime e microgranulatore		
A	Z10	Z15
B	Z30	Z25

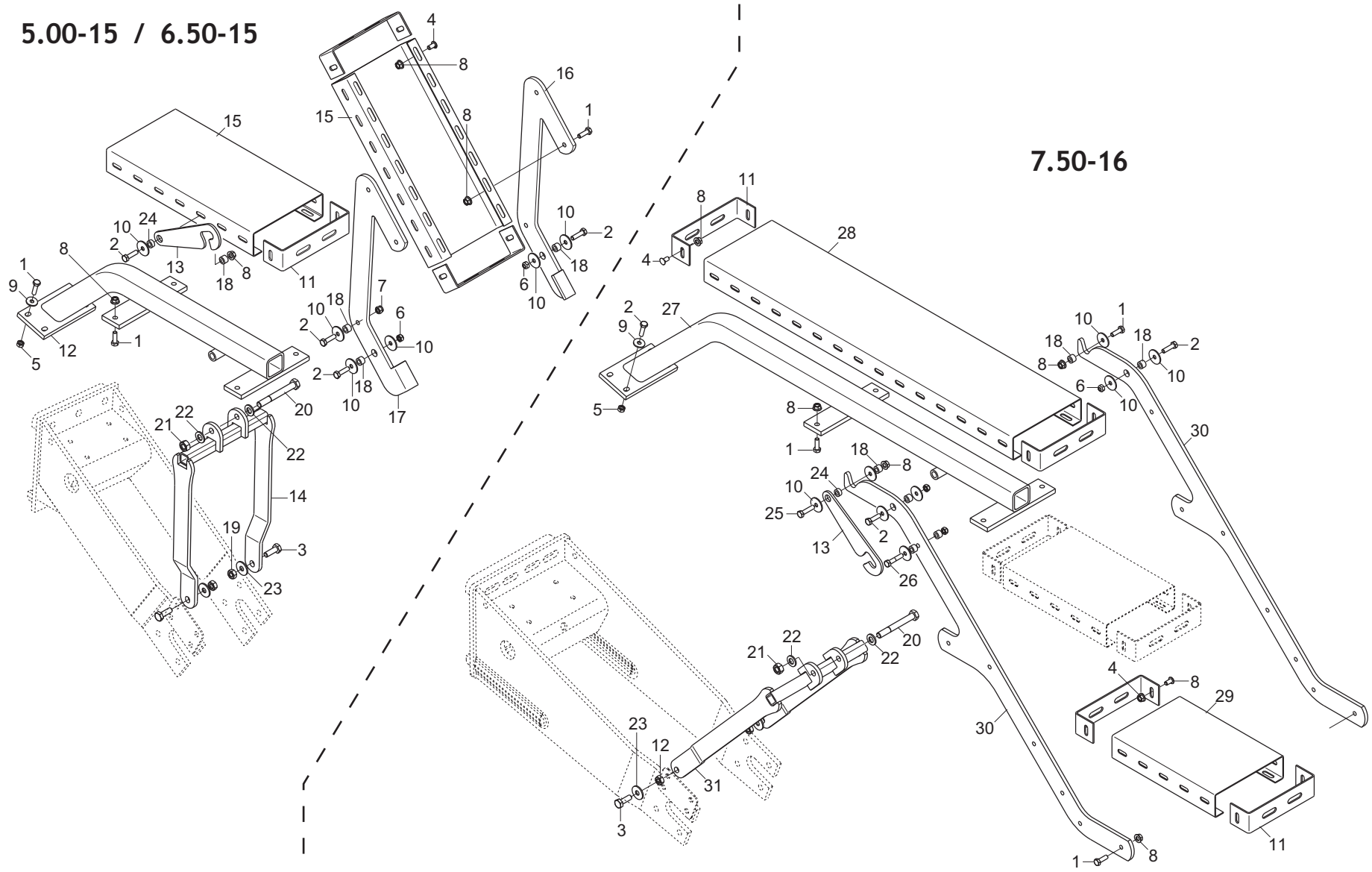
RUOTE DI TRASMISSIONE DRIVE WHEELS

TAV. 200

Pos.	Cod.	Descrizione	Description	Description	Benennung	Descripcion
56	G22270281R	ASSE RUOTA TRASM.MAGG. SP S	INCREASED DRIVE WHEEL AXLE	AXE ROUE ENTRAINEMENT 6.50-15	RADACHSE SBERBEM. ANTRIEB SP S	EJE RUEDA TRANS. SOBREDIMENS.
57	G16630810R	KIT INGR.Z8 5 8 X3 8 CUSC.	GEARS KIT Z8 5 8 X3 8	KIT INGR.ZINGR.Z8 5 8 X3 8		KIT ENGRAN. Z8 5 8 X3 8 CUSC.
58	G15231421R	SUPPORTO TRASMISSIONE R.7.5-16	TRANSMSUPPORT 7,50X16	SUPPORT ENTRAINEMENT 7,50X16	HALTERUNG GETRIEBE 7,50X16	SOPORTE TRANSMISIN 7,50X16
59	F01020225R	VITE M14X2X160 U5737 8.8BR	SCR. M14X2X160 U5737 8.8BR	VIS M 14 X160 5737 8.G	SCHRAUBE M 14 X160 5737 8.G	TORNILLO M 14 X160 5737 8.G
60	F06120116R	RUOTA GOMMATA LARGA DX COMPL.	UPLIFT- WIDE RUBBERED WHEEL			
61	F06120180R	COPERTURA 6.5 80-15 IM 110 6PR	TYRE 6.5 80-15 IM 110 6PR			
62	G15430660R	RASCHIATERRA MAGGIORATO SP 530	INCREASED SOIL-SCRAPER SP 530	RACLEUR MAJOR. SP 530	SBERGROSSER ERDSCHABER SP 530	RASCADOR TIERRA OBREDIMENS. SP
63	F06120069R	RUOTA 7.50-16 AG 10	WHEEL 7.50-16 AG10	ROUE 7.50-16 AG10	RAD 7.50-16 AG10	RUEDA 7.50-16 AG10
64	F06120207R	CERCHIO 5J 15 H2 PV RAL 9001	RIM 5J 15 H2 PV RAL 9001			
65	G16630300R	SUPPORTO RUOTA 6,50-15	WHEEL SUPPORT 6,50-15	SUPPORT ROUE 6,50-15	RADLAGER 6,50-15	SOPORTE RUEDA 6,50-15
66	G22500079R	ASSE RUOTA MAGG.SX	WHEEL AXLE- INCREASED LEFT	AXE ROUE MAJOR. GCH.	ACHSE SBERBEM. RAD LINKS	EJE RUEDA SOBREDIMENS. IZQ.
67	G22500078R	ASSE RUOTA MAGG.DX	WHEEL AXLE- INCREASED RIGHT	AXE ROUE MAJOR. DRT.	ACHSE SBERBEM. RAD RECHTS	EJE RUEDA SOBREDIMENS. DER.
68	G15231301R	CARTER DX 7.50	RIGHT CARTER 7.50			
69	F06120115R	RUOTA GOMMATA LARGA SX COMPL.	UPRIGHT- WIDE RUBBERED WHEEL	MONT. ROUE CAOUTCHOUT. LARG.	STZNDER BREITES GUMMIRAD	MONT.RUEDA DE CAUCHO ANCHA
70	G15231321R	CARTER SX 7.50	CARTER LEFT 7.50			
71	F05050025R	CAPPELOTTO PROTEZ. X VALV.PVC	PROTECTION CAP PVC X VALVA	CAPUCHON PROTECION PVC X VALVA	SCHUTZKAPPE PVC X VENTIL	TAPA PROTECION PVC X VALVA
72	F06080655R	FALSA MAGLIA CAT.1 2 ISO 083	DUMMY CHAIN LINK 1 2 ISO 083	FAUSSE MAILLE CHAINE 1 2 ISO 0	FALSCHES GLIED 1 2 ISO 083	ESLAB N FICTICIO CAD. 1 2 ISO
73	F06080501R	GIUNZIONE CATENA 1 2 ISO 083	CHAIN JOINT 1 2 ISO 083	JONCTION CHAINE 1 2 ISO 083	KETTENVERBINDUNG 1 2 ISO 083	UNI N CADENA 1 2 ISO 083
74	F06080666R	FALSA MAGLIA CAT.1 2 ISO 084-1	CHAIN EYE CAT. 1 2 ISO 084-1			
75	F06080502R	GIUNZIONE CATENA 1 2 ISO 084-1	CHAIN JUNCTION 1 2 ISO 084-1			
76	F06080644R	FALSA MAGLIA CAT.5 8 ASA 50LUB	DUMMY CHAIN LINK 5 8 ASA 50LUB	FAUSSE MAILLE CHAINE ASA 50LUB	FALSCHES GLIED 5 8 ASA 50LUB	ESLAB N FICTICIO CAD.5 8 ASA50
77	F06080499R	GIUNZIONE CATENA 5 8 ASA 50LUB	CHAIN JOINT 5 8 ASA 50LUB	JONCTIONS CHAINE 5 8 ASA 50LUB	KETTENVERBINDUNG 5 8 ASA 50LUB	UNIONES CADENA 5 8 ASA 50LUB

5.00-15 / 6.50-15

7.50-16

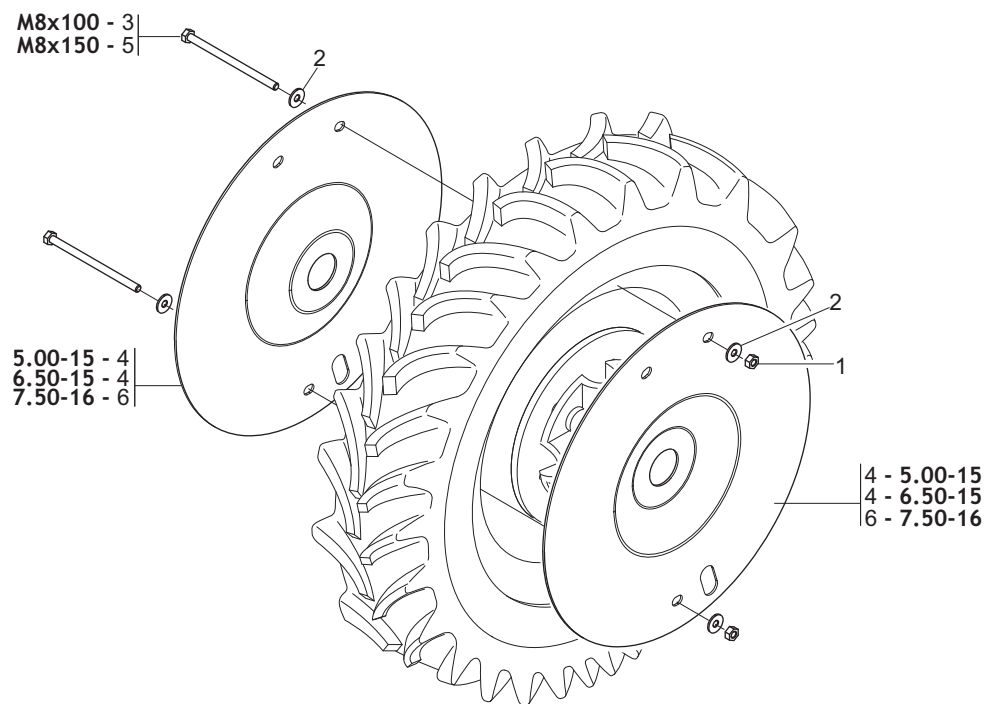


SCALETTA RUOTE PORTANTI LADDER

TAV. 210

Pos.	Cod.	Descrizione	Description	Description	Benennung	Description
1	F01020440R	VITE M8X1,25X25 U5739 8.8ZN	SCR. M8X1,25X25 U5739 8.8ZN	VIS M8X1,25X25 U5739 8.8 ZN	SCHRAUBE M8X1,25X25U5739 8.8ZN	TORNIL.M8X1,25X25 U5739 8.8 ZN
2	F01020445R	VITE M8X1,25X30 U5739 8.8ZN	SCR. M8X1,25X30 U5739 8.8ZN	VIS M 8X1,25X30 U5739 8.8 ZN	SCHRAU. M8X1,25X30 U5739 8.8ZN	TORN. M8X1,25X30 U5739 8.8 ZN
3	F01020476R	VITE M10X1,5X30 U5739 8.8ZN	SCR. M10X1,5X30 U5739 8.8ZN	VIS M10X1,5X30 U5739 8.8 ZN	SCHRAUBE M10X1,5X30U5739 8.8ZN	TORNIL.M10X1,5X30 U5739 8.8 ZN
4	F01030495R	VITE TTCN 90 M8X16 ZN	TTCN 90 BOLT M8X16 GALVANIZED	VIS TTCN 90 M8X16 ZN	SCHRAUBE TTCN 90 M8X16 ZN	TORNILLO TTCN 90 M8X16 ZN
5	F01200244R	DADO M8X1,25 U5588 CL8 ZN	NUT M8X1,25 U5588 6.8ZN	ECROU M8 X1,25 U5588 6.8 ZN	MUTTER M8 X1,25 U5588 6.8 ZN	TUERCA M8 X1,25 U5588 6.8 ZN
6	F01220022R	DADO M8X1,25 D980 8ZN	NUT M8X1,25 D980 8ZN	ECROU M8X 1,25 D980 8 ZN	MUTTER M8X 1,25 D980 8 ZN	TUERCA M8X 1,25 D980 8 ZN
7	F01230034R	DADO M8X1,25 D982 8ZN	NUT M8X1,25 D982 8ZN	ECROU M8X 1,25 ZN	MUTTER M8X 1,25 D982 8 ZN	TUERCA M8X 1,25 D982 8 ZN
8	F01260043R	DADO M8 D6923 8.8ZN	NUT M8 D6923 8.8ZN	ECROU BRIDE .M8 DIN 6923 8.8 Z	GEFLANSCHTE MUTTER M8 DIN6923	TUERCA BRIDA M8 DIN 6923 8.8 Z
9	F01420048R	ROS.M8 8,4X 24X 2 U6593 ZN	WASHER M8 8,4X 24X2 U6593 ZN	RONDELLE M8 8,4X24X 2 U6593 ZN	SCHEIBEN M8 8,4X24X 2 U6593 ZN	ARANDELA M8 8,4X 24X2 U6593 ZN
10	F01420049R	ROS.M8 8,4X 32X 2 U6593 ZN	WASHER M8 8,4X32X2 U6593 ZN	RONDELLA M8 8,4X32X2 U6593 ZN	SCHEIBE M8 8,4X32X2 U6593 ZN	ARANDELA M8 8,4X32X2 U6593 ZN
11	G15276640R	TERMINALE PEDANA 200 ZN	GALVANIZED PLATFORM END			
12	G15276690R	SUPPORTO PEDANA R.5.0 6.5	PLATFORM SUPPORT R.5.0 6.5			
13	G15171900R	FERMO SCALETTA R5-R6 ZN	LADDER STOP R5-R6 ZN			
14	G15276701R	SUPPORTO POST.SCALETTA R.5 6.5	REAR STAIRS SUPPORT R.5 6.5			
15	G15276680R	PEDANA 200 X 420 X 58 SP2 ZN	PLATFORM 200X420X58 SP2			
16	G16013500R	SUPPORTO DX PEDANA	RH FOOTPLATE SUPPORT	SUPPORT DRT. MARCHEPIED	RE TRITTBRETTHALTERUNG	SOPORTE DER. PLATAFORMA
17	G16013510R	SUPPORTO SX PEDANA	LH FOOTPLATE SUPPORT	SUPPORTO GCH.MARCHEPIED	TRITTBRETTHALTERUNG LI	SOPORTE IZQ. PLATAFORMA
18	G18801580R	BOCCOLA 8,5 X15 X10	BUSH 8.5 X15 X10	DOUILLE 8,5 X15 X10	BUCHSE 8,5 X15 X10	MANGUITO 8,5 X15 X10
19	F01200270R	DADO M10X1,5 U5588 CL8 ZN	NUT M10X1,5 U5588 6.8ZN	ECROU M10X 1,5 U5588 6.8 ZN	MUTTER M10X 1,5 U5588 6.8 ZN	TUERCA M10X 1,5 U5588 6.8 ZN
20	F01020170R	VITE M12X1,75X100 U5737 8.8ZN	SCR. M12X1,75X100 U5737 8.8ZN	VIS M12X1,75X100 5737 8.8 ZN	SCHRA.M12X1,75X100 5737 8.8 ZN	TORN. M12X1,75X100 5737 8.8 ZN
21	F01200293R	DADO M12X1,75 U5588 CL8 ZN	NUT M12X1,75 U5588 6S ZN	ECROU M12X1,75 U5588 6S ZN	MUTTER M12X1,75 U5588 6S ZN	TUERCA M12X1,75 U5588 6S ZN
22	F01410076R	ROS.M12 13X 24X2,5 U6592 ZN	WASHER 12 13X 24X2,5 U6592 ZN	RONDEL. M12 13X24X2,5 U6592 ZN	SCHEIBE M12 13X24X2,5 U6592 ZN	ARANDELA M12 13 X24X2,5 ZN
23	F01420060R	ROS.M10 10,5X 30X2,5 U6593 ZG	GALV.WASHER 10,5X30X2,5 U6593	RONDELLE 10,5X30	SCHEIBE 10,5X30	ARANDELA 10,5X30
24	G20980050R	BOCCOLA 15X7X8,5 ZN	BUSHING 15X7X8-5 ZN	BOITE 15X7X8-5 ZN	BSCHSE 15X7X8-5 ZN	CASQUILLO 15X7X8-5 ZN
25	F01020449R	VITE M8X1,25X35 U5739 8.8ZN	SCR. M8X1,25X35 U5739 8.8ZN	VIS M8X1,25X35 U5739 8.8ZN	SCHRA. M8X1,25X35 U5739 8.8ZN	TORN. M8X1,25X35 U5739 8.8ZN
26	F01020068R	VITE M8X1,25X40 U5737 8.8ZN	SCR. M8X1,25X40 U5737 8.8ZN	VIS M 8X1,25X40 U5737 8.8 ZN	SCHRA. M8X1,25X40 U5737 8.8 ZN	TORNIL.M8X1,25X40 U5737 8.8 ZN
27	G15276610R	SUPPORTO PEDANA RUOTA 7.50	PLATFORM SUPPORT			
28	G15276630R	PEDANA 200 X 900 X 58 SP2 ZN	PLATFORM 200X900X58 SP2			
29	G15276650R	PEDANA 200 X 300 X 58 SP2 ZN	PLATFORM 200X300X58 SP2			
30	G15171782R	FIANCO SUPPORTO PEDANE	PLATFORM SUPPORT			
31	G15276560R	SUPPORTO POST.SCALETTA R7,50	REAR STAIRS SUPPORT R7,50			

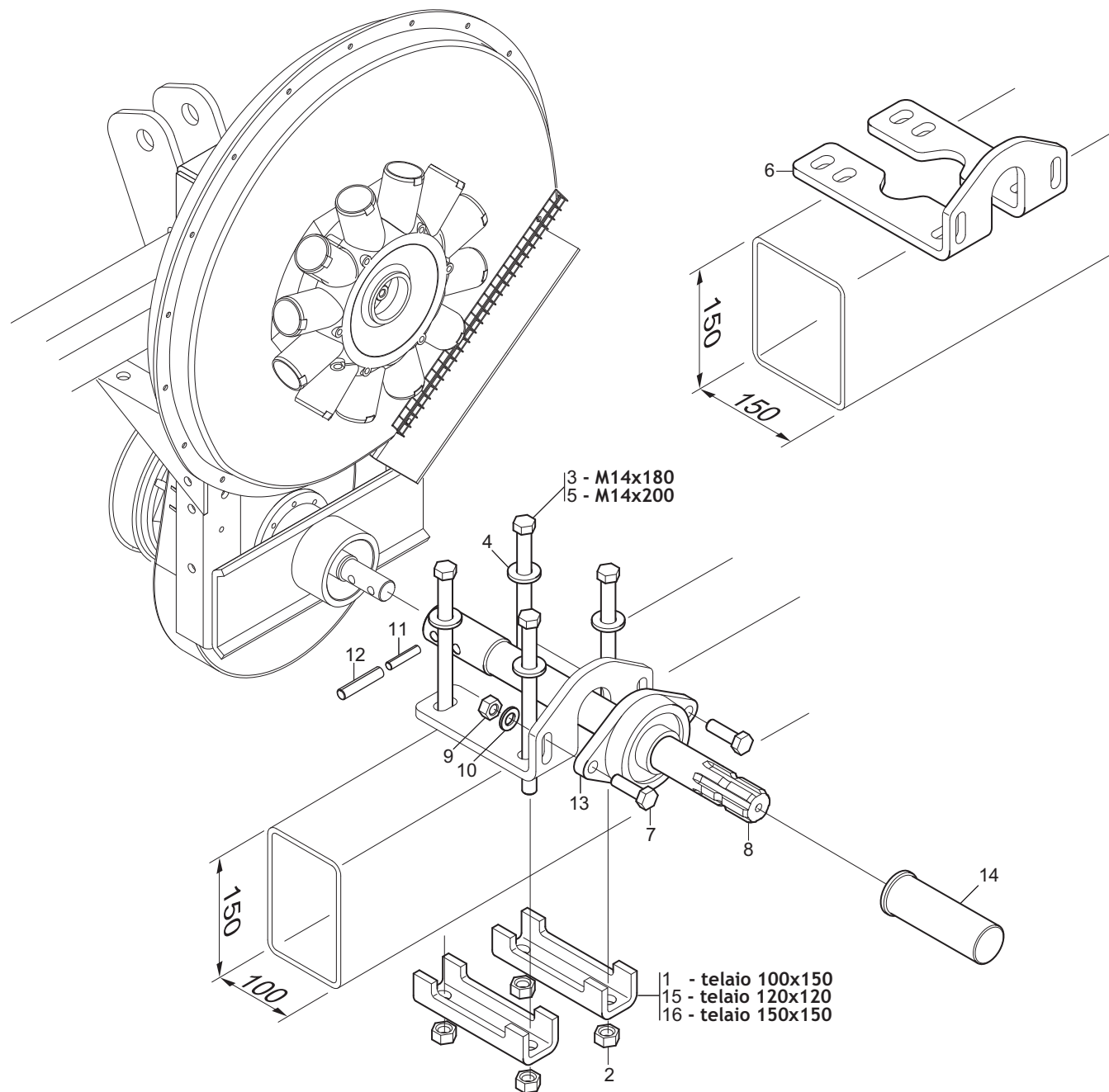
5.00-15 / 6.50-15 / 7.50-16



**KIT RUOTE PER TERRENI SASSOSI - FLANGIATURA RUOTE
WHEELS FOR STONY GROUND KIT - FRINGING FOR WHEELS**

TAV. 220

Pos.	Cod.	Descrizione	Description	Description	Benennung	Descripcion
1	F01220022R	DADO M8X1,25 D980 8ZN	NUT M8X1,25 D980 8ZN	ECROU M8X 1,25 D980 8 ZN	MUTTER M8X 1,25 D980 8 ZN	TUERCA M8X 1,25 D980 8 ZN
2	F01420048R	ROS.M8 8,4X 24X 2 U6593 ZN	WASHER M8 8,4X 24X2 U6593 ZN	RONDELLE M8 8,4X24X 2 U6593 ZN	SCHEIBEN M8 8,4X24X 2 U6593 ZN	ARANDELA M8 8,4X 24X2 U6593 ZN
3	F01020090R	VITE M8X1,25X100 U5737 8.8ZN	SCR. M8X1,25X100 U5737 8.8ZN	VIS M8X1,25X100 U5737 8.8ZN	SCRAU. M8X1,25X100 U5737 8.8ZN	TORN. M8X1,25X100 U5737 8.8ZN
4	G14830221R	DISCO PROTEZIONE SASSI	DISK PROTECTIONS SASSI			
5	F01020097R	VITE M8X1,25X150 U5737 8.8ZN	SCR. M8X1,25X150 U5737 8.8ZN	VIS 8 X150 5737 8.G ZN	SCHRAUBE 8 X150 5737 8.G ZN	TORNILLO 8 X150 5737 8.G ZN
6	G15231910R	DISCO PROTEZIONE SASSI R7.50	STONE GUARD DISK R7.50			



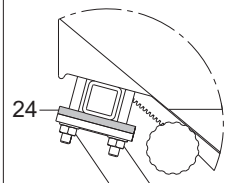
**PRESA DI POTENZA POSTERIORE
REAR PTO SHAFT**

TAV. 230

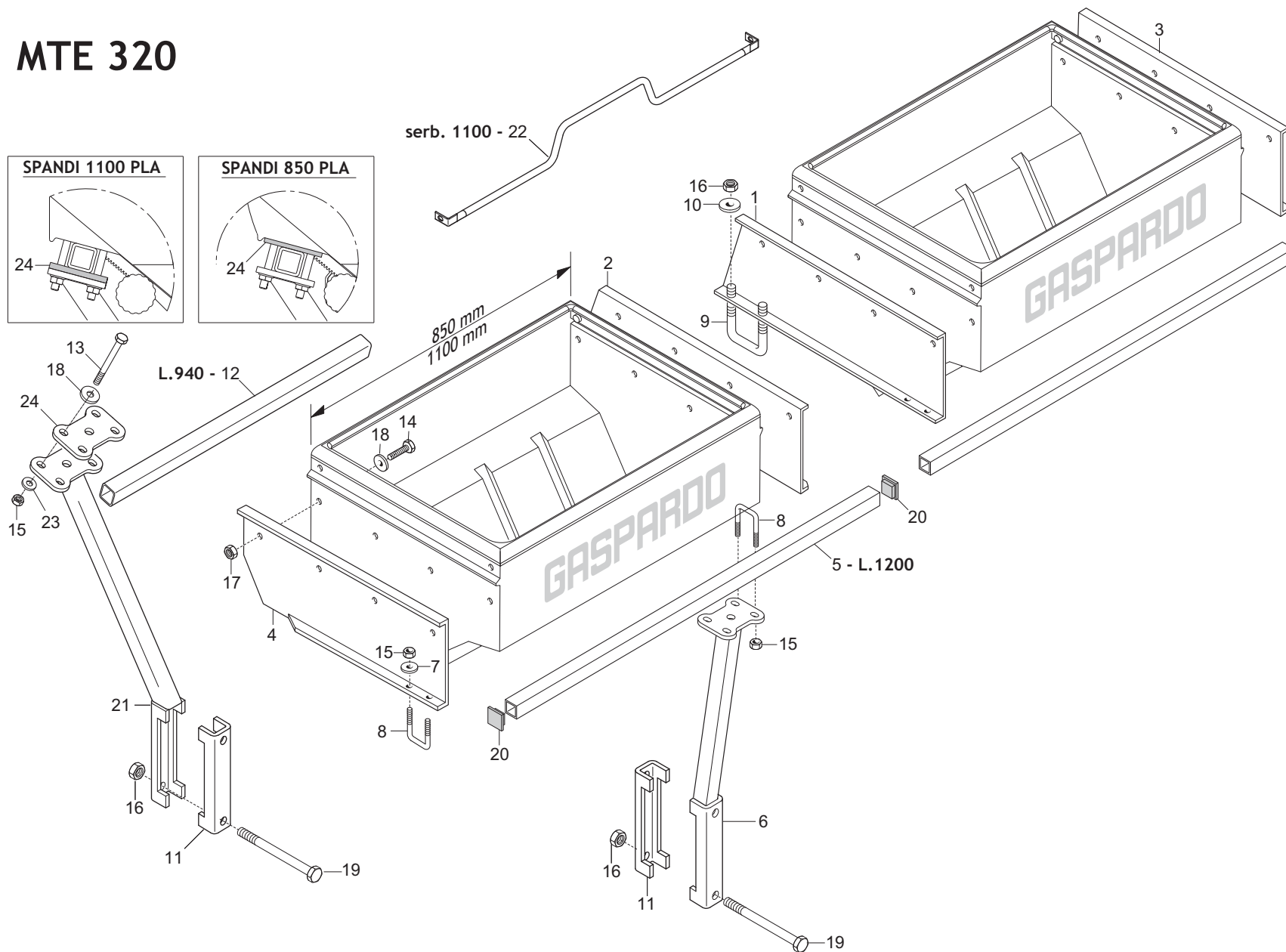
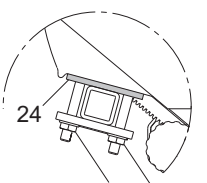
Pos.	Cod.	Descrizione	Description	Description	Benennung	Descripcion
1	G13710560R	SCONTRO Q 100	FLANGE U SP.8 100 2F16 118	BRIDE U 100 SP.8 2F16 118	ANSCHLAG U 100 SP.8 2F16 118	EL.DE EMPALME U 100 2F16 118
2	F01200306R	DADO M14X2 U5588 CL8 ZN	NUT M14X2 U5588 6.8ZN	ECROU M14X2	MUTTER M14X2	DADO M14X2
3	F01020229R	VITE M14X2X180 U5737 8.8BR	SCR. M14X2X180 U5737 8.8BR	VIS 14X180 5737 8.G	SCHRAUBE 14X180 5737 8.G	TORNILLO 14X180 5737 8.G
4	F01410088R	ROS.M14 15X 28X2,5 U6592 ZN	WAS.M14 15X 28X2,5 U6592 ZB	RON.M14 15X 28X2,5 U6592 ZB	SCH.M14 15X 28X2,5 U6592 ZB	ARA.M14 15X 28X2,5 U6592 ZB
5	F01020233R	VITE M14X2X200 U5737 8.8BR	SCR. M14X2X200 U5737 8.8BR	VIS M14X2X 200 U5737 8.8 ZB	SCHRAUBE M14X 2X200 U5737 8.8	TORNILLO M14X2X200 5737 8.8 ZB
6	G14850050R	SUPPORTO PRESA DI POTENZA	PTO SUPPORT	SUPPORT PRISE DE FORCE	ZAPFWELLENHALTERUNG	SOPORTE TOMA DE FUERZA
7	F01020528R	VITE M12X1,75X40 U5739 10.9ZN	BOLT M12X1,75X40 U5739 10.9ZN	VIS M12X1,75X40 U5739 10.9 ZN	SCHR.M12X1,75X40 U5739 10.9 ZN	TORN.M12X1,75X40 U5739 10.9 ZN
8	G14850030R	PRESA DI POTENZA POSTERIORE	REAR POWER TAKE-OFF	PRISE DE FORCE ARRI RE	HINTERE LEISTUNGSABNAHME	TOMA DE FUERZA TRASERA
9	F01220048R	DADO M12X1,75 D980 8ZN	NUT M12X1,75 D980 8ZN	ECROU M12X1,75 D980 8 ZN	SCHEIBE M12X1,75 D980 8 ZN	TUERCA M12X1,75 D980 8 ZN
10	F01410076R	ROS.M12 13X 24X2,5 U6592 ZN	WASHER 12 13X 24X2,5 U6592 ZN	RONDEL. M12 13X24X2,5 U6592 ZN	SCHEIBE M12 13X24X2,5 U6592 ZN	ARANDELA M12 13 X24X2,5 ZN
11	F02100121R	SPINA E.P. 6X 40 U6873 C70 BR	ELASTIC PIN 6X40	GOUJON ELASTIQUE 6X40	SPANNHUELSE 6X40	PASADOR 6X40
12	F02100161R	SPINA E.P. 10X 40 U6873 C70 B	PIN EL. 10 X40 DIN 1481	FICHE EL. 10 X40 DIN 1481	SPANNSTIFT 10X40 DIN 1481	CLAVIJA EL.10 X40 DIN 1481
13	F04100139R	SUPPORTO FY TB35 TF	SUPPORT FY TB35 TF	SUPPORT FY TB35 TF	HALTERUNG FY TP35 TF	SOPORTE FY TB35 TF
14	G19002131R	PROTEZIONE P.D.P.	PDP GUARD			
15	G14255000R	SCONTRO 120	STRIKER 120	BUTEE 120	ANSCHLAG 120	ELEM. DE EMPALME 120
16	G15110091R	SCONTRO A U	CONTRA U	BRIDE 150 MM	ANSCHLAG	ELEMENTO DE EMPALME

MTE 320

SPANDI 1100 PLA



SPANDI 850 PLA

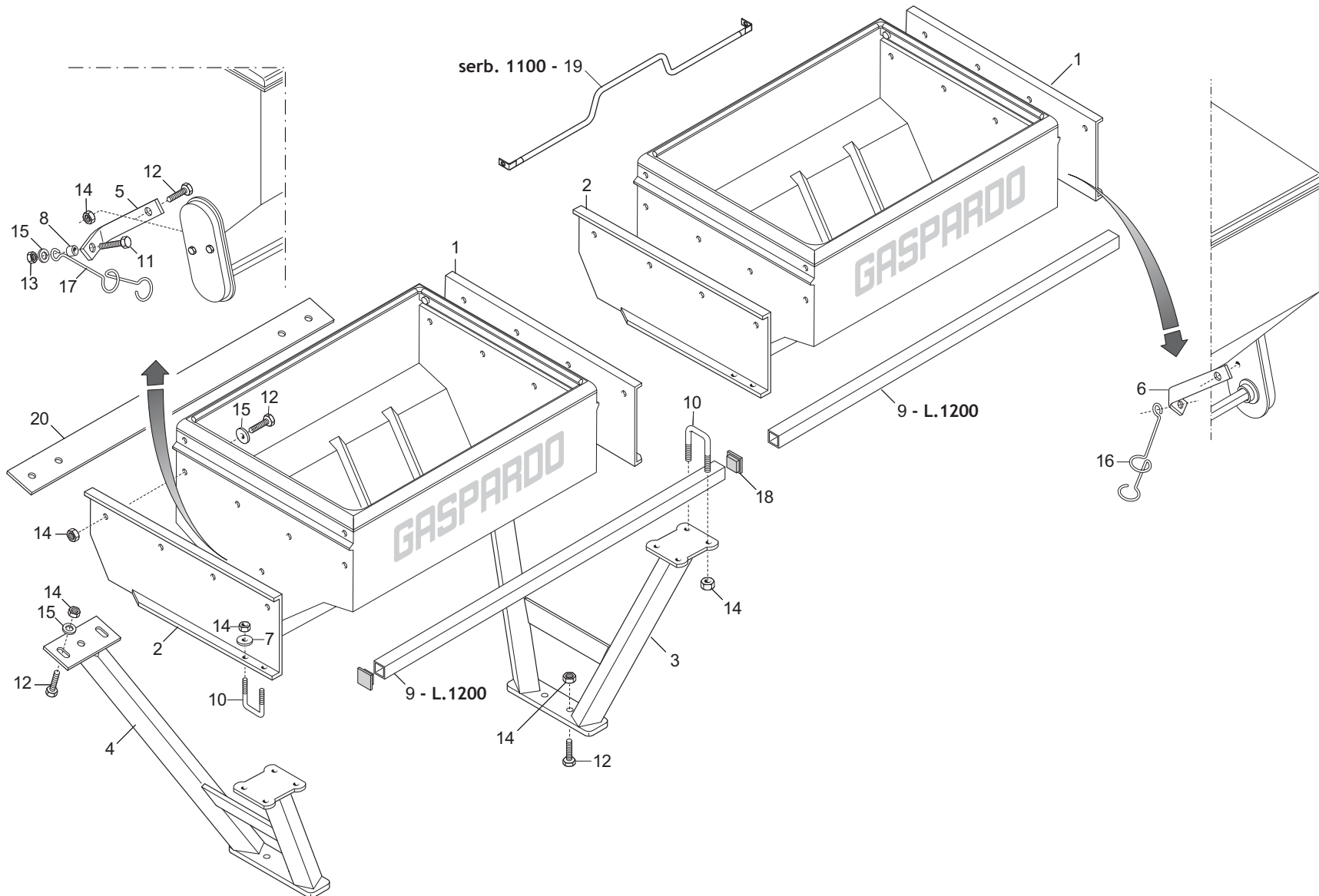


**SUPPORTI SERBATOI SPANDICONCIME PLASTICA «MTE 320»
SUPPORT FOR PLASTIC FERTILIZER DISTRIBUTOR «MTE 320»**

TAV. 240

Pos.	Cod.	Descrizione	Description	Description	Benennung	Descripcion
1	G15470632R	SUPP.SPANDI CENTR.DX	CENTRAL RIGHT FERT.ER SUPPORT			
2	G15470642R	SUPP.SPANDI CENTR.SX	CENTRAL LEFT FERT.ZER SUPP.			
3	G15171381R	SUPP.SPANDI EST.DX	RIGHT EXT.AL FERT.ZER SUPPORT			
4	G15171391R	SUPP.SPANDI EST.SX	LEFT EXT.AL FERT.ER SUPPORT			
5	G15472970R	TUBO Q. 35X 4X1200	SQUARE PIPE 35 X4 X1200	TUBE CARRE 35 X4 X1200	VIERKANTROHR 35 X4 X1200	TUBO CUADRADO 35 X4 X1200
6	G15472901R	SUPPORTO SPANDI Q.150	FERT.SPREADER SUPPORT SQ.150	SUPPORT PANDEUR CARR 150	HALTERUNG SPANDI Q.150	SOPORTE ABONADORA Q.150
7	G18701140R	RONDELLA 11 X35 X5	WASHER 11 X 35 X 5	RONDELLE 11 X35 X5	UNTERLEGSCHEIBE 11 X35 X5	ARANDELA 11 X35 X5
8	F20110706R	CAV.Q.B=35 M=10X1,5 L=60	U BOLT Q.B=35 M=10X1,5 L=60	CAVALIER SUPPORT DISQUE SV	VERBINDUNG SCHEIBENHALTERUNG S	PERNO EN U SOP. DISCO SV
9	F20110770R	CAV.Q.B=80 M=14X2 L=119	U BOLT Q.B=80 M=14X2 L=119	BRIDE U M14X2X50 96X119 ZN	ANSCHLANG U M14X2X50 96X119 ZN	EL.DE EMPALME M14X2X50 96X119
10	G20970142R	RONDELLA 32X4X15,5	WASHER 32X4X15-5	RONDELLE 32X4X15-5	UNTERLEGSCHEIBE 32X4X15-5	ARANDELA 32X4X15-5
11	G15110091R	SCONTRO A U	CONTRA U	BRIDE 150 MM	ANSCHLAG	ELEMENTO DE EMPALME
12	G15171650R	TUBO Q. 35X 4X 940 1F6,5	TUBE Q. 35X 4X 940 1HOLE 6,5			
13	F01020144R	VITE M10X1,5X75 U5737 A2IX	SCR. M10X1,5X75 U5737 A2IX	VIS M10X 1,5X 75 U5737 8.8 IX	SCHRAUBE M10X 1,5X 75 U5737 8.	TORNIL. M10X 1,5X 75 U5737 8.8
14	F01020465R	VITE M10X1,5X35 U5739 A2IX	SCR. M10X1,5X35 U5739 A2IX	VIS M10X1,5X35 U5739 A2IX	SCHRA.M10X1,5X35 U5739 A2IX	TOR.M10X1,5X35 U5739 A2IX
15	F01200271R	DADO M10X1,5 U5588 A2IX	NUT M10X1,5 U5588 A2IX	ECROU 10 5588 6.8 INOX	MUTTER 10 5588 6.8 INOX	TUERCA 10 5588 6.8 INOX
16	F01200306R	DADO M14X2 U5588 CL8 ZN	NUT M14X2 U5588 6.8ZN	ECROU M14X2	MUTTER M14X2	DADO M14X2
17	F01200271R	DADO M10X1,5 U5588 A2IX	NUT M10X1,5 U5588 A2IX	ECROU 10 5588 6.8 INOX	MUTTER 10 5588 6.8 INOX	TUERCA 10 5588 6.8 INOX
18	F01420059R	ROS.M10 10,5X 30X2,5 U6593 IX	WASHER 11X30X2,5 6593 A2	RONDELLE 11X30X2,5 6593 A2	UNTERLEGSCHEIBE 11X30X2,5 6593	ARANDELA 11X30X2,5 6593 A2
19	F01020236R	VITE M14X2X220 U5737 8.8BR	SCR. M14X2X220 U5737 8.8BR	VIS M14X2X220 U5737 8.8 BR	SCHRAUBE M14X2X220 U5737 8.8	TORNILLO M14X2X220 U5737 8.8
20	F20120346R	PUNTALE Q 35 ALETT.POLIT.NERO	SQ.TIP 35 BLACK			
21	G15275790R	ASS.SUPPORTO ANT.SPANDI PLA	FRONTAL FERT.DISTR.SUPPORT			
22	G15272961R	RINFORZO SPANDICONCIME 1100	FERTILIZER 1100 REINFORCEMENT	RENFORT EPANDEUR D ENGRAIS 110	VERSTZRKUNG DSNGERSTREUER 1100	REFUERZO ABONADORA 1100
23	F01410064R	ROS.M10 10,5X 20X 2 U6592 ZN	WASHER M10 10,5X20X2 U6592 ZN	RONDEL. M10 10,5X20X2 U6592 ZN	SCHEIBE M10 10,5X20X2 U6592 ZN	ARANDEL.M10 10,5X20X2 U6592 ZN
24	G14276330R	SUPPORTO TUBO	TUBE SUPPORT			

MTE 300

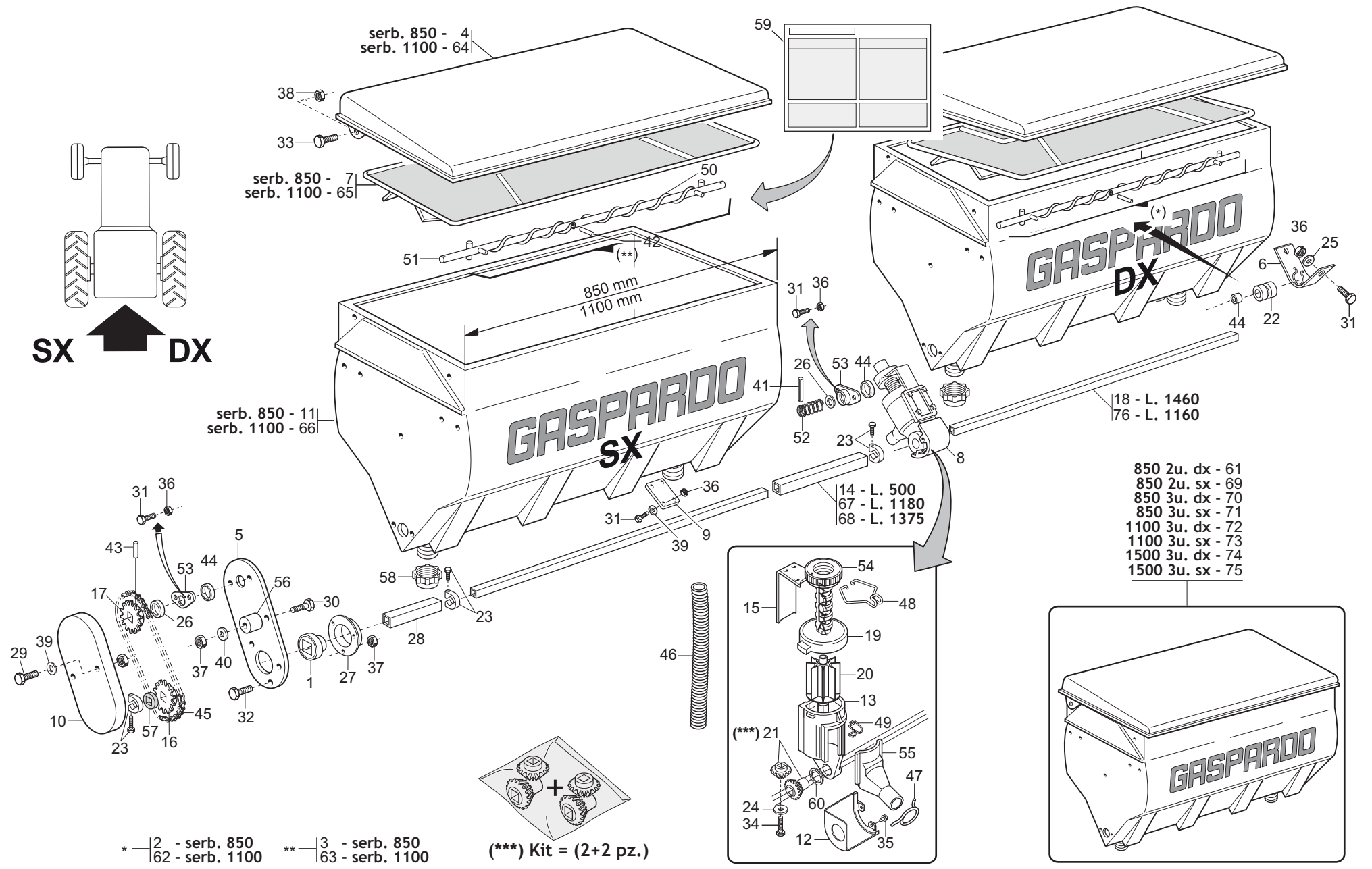


**SUPPORTI SERBATOI SPANDICONCIME PLASTICA «MTE 300»
SUPPORT FOR PLASTIC FERTILIZER DISTRIBUTOR «MTE 300»**

TAV. 250

Pos.	Cod.	Descrizione	Description	Description	Benennung	Descripcion
1	G15171381R	SUPP.SPANDI EST.DX	RIGHT EXT.AL FERT.ZER SUPPORT			
2	G15171391R	SUPP.SPANDI EST.SX	LEFT EXT.AL FERT.ER SUPPORT			
3	G15272791R	SUPPORTO DX	RIGHT SUPPORT	SUPPORT DRT	HALTERUNG RE	SOPORTE DER
4	G15272781R	SUPPORTO SX	LEFT SUPPORT	SUPPORT GCH	HALTERUNG LI	SOPORTE IZQ
5	G15171600R	SUPPORTO GUIDATUBO DX	RIGHT PIPE GUIDE SUPPORT	SUPPORT GUIDE-TUBE DRT.	ROHRFSHRUNG HALTERUNG RECHTS	SOPORTE GUIATUBO DER.
6	G15171610R	SUPPORTO GUIDATUBO SX	LEFT PIPE GUIDE SUPPORT	SUPPORT GUIDE-TUBE GCH.	ROHRFSHRUNG HALTERUNG LINKS	SOPORTE GUIATUBO IZQ.
7	G18701140R	RONDELLA 11 X35 X5	WASHER 11 X 35 X 5	RONDELLE 11 X35 X5	UNTERLEGSCHEIBE 11 X35 X5	ARANDELA 11 X35 X5
8	G20980016R	BOCCOLA 9,5X12,25X18	BUSHING 9-5X12-25X18	BOITE 9-5X12-25X18	BSCHE 9-5X12-25X18	CASQUILLO 9-5X12-25X18
9	G15472970R	TUBO Q. 35X 4X1200	SQUARE PIPE 35 X4 X1200	TUBE CARRE 35 X4 X1200	VIERKANTROHR 35 X4 X1200	TUBO CUADRADO 35 X4 X1200
10	F20110706R	CAV.Q.B=35 M=10X1,5 L=60	U BOLT Q.B=35 M=10X1,5 L=60	CAVALIER SUPPORT DISQUE SV	VERBINDUNG SCHEIBENHALTERUNG S	PERNO EN U SOP. DISCO SV
11	F01020432R	VITE M8X1,25X16 U5739 8.8ZN	SCR. M8X1,25X16 U5739 8.8ZN	VIS M8 X1,25X16 U5739 8.8 ZN	SCHRAUBE M8X1,25X16U5739 8.8ZN	TORNILLO M8X1,25X16U5739 8.8ZN
12	F01020472R	VITE M10X1,5X25 U5739 8.8ZN	SCR. M10X1,5X25 U5739 8.8ZN	VIS M10X1,5X25 U5739 8.8 ZN	SCHRAUBE M10X1,5X25 U5739 8.8	TORNILLO 10X25 U5739 8.8 ZN
13	F01200244R	DADO M8X1,25 U5588 CL8 ZN	NUT M8X1,25 U5588 6.8ZN	ECROU M8 X1,25 U5588 6.8 ZN	MUTTER M8 X1,25 U5588 6.8 ZN	TUERCA M8 X1,25 U5588 6.8 ZN
14	F01200270R	DADO M10X1,5 U5588 CL8 ZN	NUT M10X1,5 U5588 6.8ZN	ECROU M10X 1,5 U5588 6.8 ZN	MUTTER M10X 1,5 U5588 6.8 ZN	TUERCA M10X 1,5 U5588 6.8 ZN
15	F01420060R	ROS.M10 10,5X 30X2,5 U6593 ZG	GALV.WASHER 10,5X30X2,5 U6593	RONDELLE 10,5X30	SCHRAUBE 10,5X30	ARANDELA 10,5X30
16	G65336133R	MOLLA GUIDATUBI	TUBE GUIDE SPRING	RESSORT GUIDE-TUBES	FEDER ROHRFSHRUNG	MUELLE GU A TUBOS
17	G65336134R	MOLLA GUIDATUBI SX	LH TUBE GUIDE SPRING	RESSORT GUDE-TUBES GCH	FEDER ROHRFSHRUNG LI	MUELLE GU A TUBOS IZQ
18	F20120346R	PUNTALE Q 35 ALETT.POLIT.NERO	SQ.TIP 35 BLACK			
19	G15272961R	RINFORZO SPANDICONCIME 1100	FERTILIZER 1100 REINFORCEMENT	RENFORT EPANDEUR D ENGRAIS 110	VERSTZRKUNG DSNGERSTREUER 1100	REFUERZO ABONADORA 1100
20	G15272800R	PIATTO 60X 6X 900	PLATE 60X 6X 900	PLATEAU 60X 6X 900	TELLER 60X 6X 900	PLATO 60X 6X 900

TAV. 260

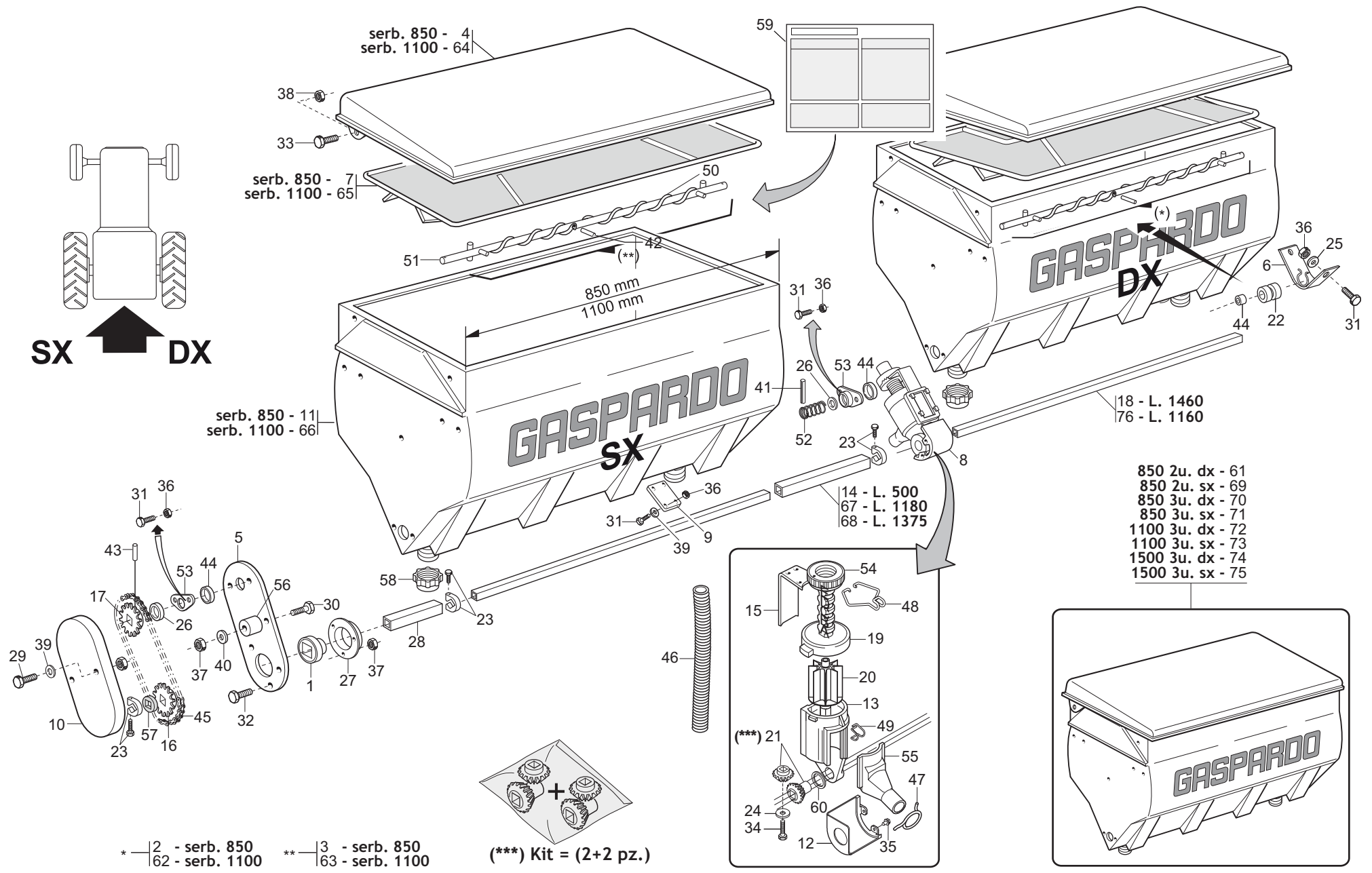


**SERBATOI SPANDICONCIME PLASTICA
PLASTIC FERTILIZER DISTRIBUTOR**

TAV. 260

Pos.	Cod.	Descrizione	Description	Description	Benennung	Description
1	G14830390R	CUSCINETTO FORO QUADRO	SQUARE-HOLED BEARING	ROULEMENT TROU CARRE	VIERKANTLAGER	COJINETE ORIFICIO CUADRADO
2	G20860121R	ASSE AGITAT.DX SERB.850 COMPL.	STIRRER SPINDLE- RIGHT 850 TAN	AXE AGITATEUR DRT. RESERVOIR 8	SAMENMISCHERACHSE RE. BEH.850	EJE AGITAD. DER. DEP S.850 COM
3	G20860122R	ASSE AGITAT.SX SERB.850 COMPL.	STIRRER SPINDLE- LEFT 850 TANK	AXE AGITATEUR GCH. RESERVOIR 8	SAMENMISCHERACHSE LI. BEH.850	EJE AGITAD. IZQ. DEP S. 850 CO
4	G15470580R	COPERCHIO SERBATOIO 850	TANK TOP 850	COUVERCLE RESERVOIR 650	BEHZLTERDECKEL 850	TAPA DEP SITO 850
5	G15471930R	PROTEZIONE	GUARD	PROTECTION	SCHUTZ	PROTECCI N
6	G15471990R	SUPPORTO COCLEA	SCREW SUPPORT	SUPPORT VIS ALIMENTATION	HALTERUNG SCHNECKE	SOPORTE C CLEA
7	G15472760R	GRIGLIA SERBATOIO PLASTICA 850	PLASTIC TANK GRID 850	GRILLE RESERVOIR PLASTIQUE 850	BEHZLTERGITTER PLAST.850	REJILLA DEP SITO PLAST.850
8	G15472770R	DISTR.COMPL.8PALE SPANDI PL	COMPL.PLAS.FERTIL.DISTR.8RIBS	MINIMAX COMPL 8C PLA	KOMPL.DOSIER.PLA.D NGERSTR.8S	DISTR.COMP.ABONO PLAST. 8AL.
9	G15472780R	TAPPO SPANDI PLASTICA	PLASTIC FERT. SPREADER PLUG	BOUCHON EPAND. PLASTIQUE	PLASTIKPFROPFEN DSNGERSTR.	TAP N ABONADORA PL STICO
10	G19002710R	PROTEZ.RINVIO SPANDICONCIME	FERTILIZER TRANSM. PROTECTION	PROTECTION RENVOI FERTILISEUR	SCHUTZ VORGELEGE DUNGERSTREUER	PROTECCION TRANSMISION ABONADO
11	G19004470R	SERBATOIO CONCIME 850	FERTILIZER HOPPER 850	TR MIE ENGRAIS 850	D_NGERTANK 850	DEP SITO ABONO 850
12	G19002850R	PROTEZIONE PIGNONE	PINION GUARD	PROTECTION PIGNON	RITZLSCHUTZ	PROTECCI N PI N
13	G19002920R	CORPO DISTRIBUTORE SPANDI PLA.	PLA. F.SPREADER DISTRIB.CASING	CORPS DISTRIBUTEUR EPAND.	VERTEILUNGSKTRPER STREUER PLA.	CUERPO DIST. ABONADORA PL S.
14	G20860012R	MANICOTTO DI UNIONE L.500	JOINT SLEEVE L.500	MANCHON DE RACCORD L. 500	VERBINDUNGSMUFFE L.500	MANGUITO DE UNI N L.500
15	G20860052R	REGOLATORE APERTURA	OPENING REGULATOR	REGULATEUR OUVERTURE	TFFNUNGSEINSTELLER	REGULADOR ABERTURA
16	G11220560R	PIGNONE Z12 1 2-3 16 Q.16,4 ZN	PINION Z12 1 2-3 16	PIGNON Z12 1 2-3 16	RITZE Z12 1 2-3 16	PINION Z12 1 2-3 16
17	G20860088R	INGRANAGGIO 1 2 Z-12 F.T.	GEAR 1 2 Z-12 F.T.	ENGRENAGE 1 2 Z-12 TROUS ROND	ZAHNRAD 1 2 Z-12 F.T.	ENGRANAJE 1 2 Z-12 F.T.
18	G20860090R	ASSE SX 5F.60 L.1460	AXLE- LEFT 5-R.60 L.1460	AXE GCH. 5 RANGEES 60 L. 1460	ACHSE LI 5R.F.60 L.1460	EJE IZQ. 5 FILA. 60 L.1460
19	G20860093R	VITE DI REGOL.	ADJUSTMENT BOLT	VIS DE REGLAGE	EINSTELLSCHRAUBE.	TORNILLO DE REGULACI N
20	G20860106R	DOSATORE SPANDI 8 PALE COMPL.	FERT.METERING DEVICE ASS.8 GRO	ROTOR DOSEUR 8C FERTIL COMPL.	DOSIERER DUNGER.KOMPL. 8 SEKT	DOSIFICADOR ABONO COMP.8 SECT
21	G20860126R	KIT INGRANAGGI DISTRIB.CONCIME	KIT- MAN. DISTR. GEARS 2 2	COUPLE CON DISTR ENGRAIS 2 2	KIT ZAHNRZDER DSNGERSTREUER	SET ENGRANAJES DISTRIB. ABONO
22	G19005040R	BOCCOLA ASSE SPANDI	FERT. SPREADER AXLE BUSH	DOUILLE AXE PANDEUR	ACHSENBUCHSE STREUER	MANGUITO -RBOL ABONADORA
23	G22505085R	FERMO ASSE IN LAMIERA	PLATE AXLE STOP	ARRET AXE EN TOLE	FESTSTELLVORRICHTUNG BLECHACHS	BLOQUEO EJE DE CHAPA
24	G20970097R	RONDELLA 32X3X4,5	WASHER 32X3X4-5	RONDELLE 32X3X4-5	UNTERLEGSSCHEIBE 32X3X4-5	ARANDELA 32X3X4-5
25	G20970125R	RONDELLA 28X2,5X6,5	WASHER 28X2-5X6-5	RONDELLE 28X2-5X6-5	UNTERLEGSSCHEIBE 28X2-5X6-5	ARANDELA 28X2-5X6-5
26	G22220073R	RONDELLA 28X0,3X16,5	WASHER 28X0-3X16-5	RONDELLE 28X0-3X16-5	UNTERLEGSSCHEIBE 28X0-3X16-5	ARANDELA 28X0-3X16-5
27	G22230094R	SUPPORTO CUSCINETTO	BEARING SUPPORT	SUPPORT DE ROULEMENT	LAGERBSCHSSE	SOPORTE COJINETE
28	G22250287R	MANICOTTO DISTANZIALE SV	SPACER SLEEVE SV	MANCHON ENTRETOISE SV	ABSTANDSMUFFE SV	MANGUITO DISTANCIADOR SV
29	F01020043R	VITE M6X1X60 U5737 8.8ZN	SCR. M6X1X60 U5737 8.8ZN	VIS M6X1X60 U5737 8.8 ZN	SCHRAUBE M6X1X60 U5737 8.8 ZN	TORNILLO M6X1X60 U5737 8.8 ZN
30	F01020068R	VITE M8X1,25X40 U5737 8.8ZN	SCR. M8X1,25X40 U5737 8.8ZN	VIS M 8X1,25X40 U5737 8.8 ZN	SCHRA. M8X1,25X40 U5737 8.8 ZN	TORNIL.M8X1,25X40 U5737 8.8 ZN
31	F01020403R	VITE M6X1X16 U5739 8.8ZN	SCR. M6X1X16 U5739 8.8ZN	VIS M6X1X16 U5739 8.8 ZN	SCHRAUBE M6X1X16 U5739 8.8 ZN	TORNILLO M6X1X16 U5739 8.8 ZN
32	F01020432R	VITE M8X1,25X16 U5739 8.8ZN	SCR. M8X1,25X16 U5739 8.8ZN	VIS M8 X1,25X16 U5739 8.8 ZN	SCHRAUBE M8X1,25X16U5739 8.8ZN	TORNILLO M8X1,25X16U5739 8.8ZN
33	F01020472R	VITE M10X1,5X25 U5739 8.8ZN	SCR. M10X1,5X25 U5739 8.8ZN	VIS M10X1,5X25 U5739 8.8 ZN	SCHRAUBE M10X1,5X25 U5739 8.8	TORNILLO 10X25 U5739 8.8 ZN
34	F01070075R	VITE A4,2X1,41X38 U6954 4.8NI	SCR. H4,2X1,41X38 U6954 4.8NI	VIS 4-2X38 DIN 7981	SCHRAUBE 4-2X38 DIN 7981	TORNILLO 4-2X38 DIN 7981
35	F01070011R	VITE A4,2X1,41X9,5 U6950 4.8NI	SCR. H4,2X1,41X9,5 U6950 4.8NI	VIS AUTOTAR. 4-2X9-5 T. E. COU	SELBSTSCHNEID. SCHRAUBE 4-2X9-	TORNILLO AUTORROSC. 4-2X9-5
36	F01200232R	DADO M6X1 U5588 CL8 ZN	NUT M6X1 U5588 6.8ZN	ECROU 6 UNI 5588 6.8 ZN	MUTTER 6 UNI 5588 6.8 ZN	TUERCA 6 UNI 5588 6.8 ZN
37	F01200244R	DADO M8X1,25 U5588 CL8 ZN	NUT M8X1,25 U5588 6.8ZN	ECROU M8 X1,25 U5588 6.8 ZN	MUTTER M8 X1,25 U5588 6.8 ZN	TUERCA M8 X1,25 U5588 6.8 ZN
38	F01220033R	DADO M10X1,5 D980 8ZN	NUT M10X1,5 D980 8ZN	ECROU M10X1,5 D980 8ZN	MUTTER M10X1,5 D980 8ZN	TUERCA M10X1,5 D980 8ZN
39	F01410037R	ROS.M6 6,4X12,5X1,6 U6592 ZN	WASHER M6 6,4X12,5X1,6 U6592ZN	RONDEL.M6 6,4X12,5X1,6 U6592ZN	SCHSHEIB.M6 6,4X12,5X1,6 U6592ZN	ARAND.M6 6,4X12,5X1,6 U6592 ZN
40	F01410051R	ROS.M8 8,4X 17X1,6 U6592 ZN	WASHER M8 8,4X17X1,6 U6592 ZN	RONDELLE M8 8,4X17X1,6 ZN	SCHSHEIBE M8 8,4X17X1,6 U6592 ZN	ARANDELA M8 8,4X17X1,6 U6592ZN
41	F02100079R	SPINA E.P. 5X20 U6873 C70 BR	PIN EL. 5X20 U6873 C70 BR			
42	F02100314R	SPINA EL.5 X36 DIN 1481 INOX	PIN EL.5 X36 DIN 1481 INOX			
43	F02100114R	SPINA E.P. 6X 30 U6873 C70 BR	ELASTIC PIN 6X30	GOUJON ELASTIQUE 6X30	SPANNHUELSE 6X30	ESPINA ELASTICA 6X30
44	F03011081R	GUARNIZIONI LABBRO DE100	LIP GASKET D100			
45	F06080196R	CATENA 1 2 ISO 083 32 MAGLIE	CUT-DOWN CHAIN .1 2 ISO 083 32	TRONCON CHAINE 1 2 ISO 083 32	KETTENZNGE 1 2 ISO 083 32 GL	TRECHO CADENA 1 2 ISO 083 32
46	F03100500R	TUBO EOLO 35 PU	TUBE EOLO 35 PU	TUBE EOLO 35 PU		TUBO EOLO
47	G65336025R	MOLLA SPEC.ZN STRINGIT.ASP.SP	SPEC SPRING ZN FAN . PIPE CLAM	RESSORT SPEC. ZN SERRE-TUBE AS	SPEZIALFEDER ZN RORRSCHELLE AB	MUELLE ESPEC. ZN APRIETA TUBOS
48	G65336055R	MOLLA SPEC.REGOL.SPAND. SP	SPEC SPRING MAN. SPR. ADJUSTM.	RESSORT SPEC. REGL. EP. ENTRA	SPEZIALFEDER STREUERINSTELLUN	MUELLE ESPEC. REGUL. ABONADORA
49	G65336062R	MOLLA SPEC.SCIV.DISTR.SPAND.SP	SPEC SPRING - MAN. SPR. DISTR.	RESS. SPEC. LANCOIR DISTR. EP.	SPEZ.FEDER RUTSCHE SZAPP. STRE	MUELLE ESPEC.PLANO INCL.DISTR.
50	G65336064R	MOLLA SPEC.COCLEA DX SPAND.HL	SPEC. WORM SCREW SPRING RIGHT	RESSORT SPEC. VIS DRT. EP. ENG	SPEZ.FEDER RE SCHNECKE STREUER	MUELLE ESPEC. TORN.S F DER. AB
51	G65336065R	MOLLA SPEC.COCLEA SX SPAND.HL	SPEC. WORM SCREW SPRING LEFT M	RESSORT SPEC. VIS GCH. EP. ENG	SPEZ.FEDER LI SCHNECKE STREUER	MUELLE ESPEC. TORN.S F IZQ. AB
52	G65338043R	MOLLA COMP.ZN SERB. M80	ZN TANK COMP.SPRING M80	RESSORT COMPL. ZN RESERVOIR M8	DRUCKFEDER ZN BEHZLTER M80	MUELLE COMP.ZN DEP S. M80
53	G66248121R	BOCCOLA CON FLANGIA M80	BUSHING W FLANGE M80	SUPPORT AVEC BRIDE M80	BSCHSE MIT FLANSCH M80	CASQUILLO CON BRIDA M80
54	G66248125R	GHIERA REGOLAZIONE M80	ADJUSTMENT KNURLED NUT M80	BAGUE REGLAGE M80	EINSTELLMUTTER M80	CONTRATUERCA CON REGULACI N M80
55	G66248178R	SCIVOLO DISTR.SPAND. SP	CHUTE- MANURE-SPREADER DISTRIB	LANCOIR DISTRIBUTION EP. ENGR.	DSNGERSTREUER RUTSCHE SP	PLANO INCLINADO DISTR. ABON. S

TAV. 260



serb. 850 - 4
serb. 1100 - 64

serb. 850 - 7
serb. 1100 - 65

serb. 850 - 11
serb. 1100 - 66

14 - L. 500
67 - L. 1180
68 - L. 1375

18 - L. 1460
76 - L. 1160

850 2u. dx - 61
850 2u. sx - 69
850 3u. dx - 70
850 3u. sx - 71
1100 3u. dx - 72
1100 3u. sx - 73
1500 3u. dx - 74
1500 3u. sx - 75

* | 2 - serb. 850
| 62 - serb. 1100

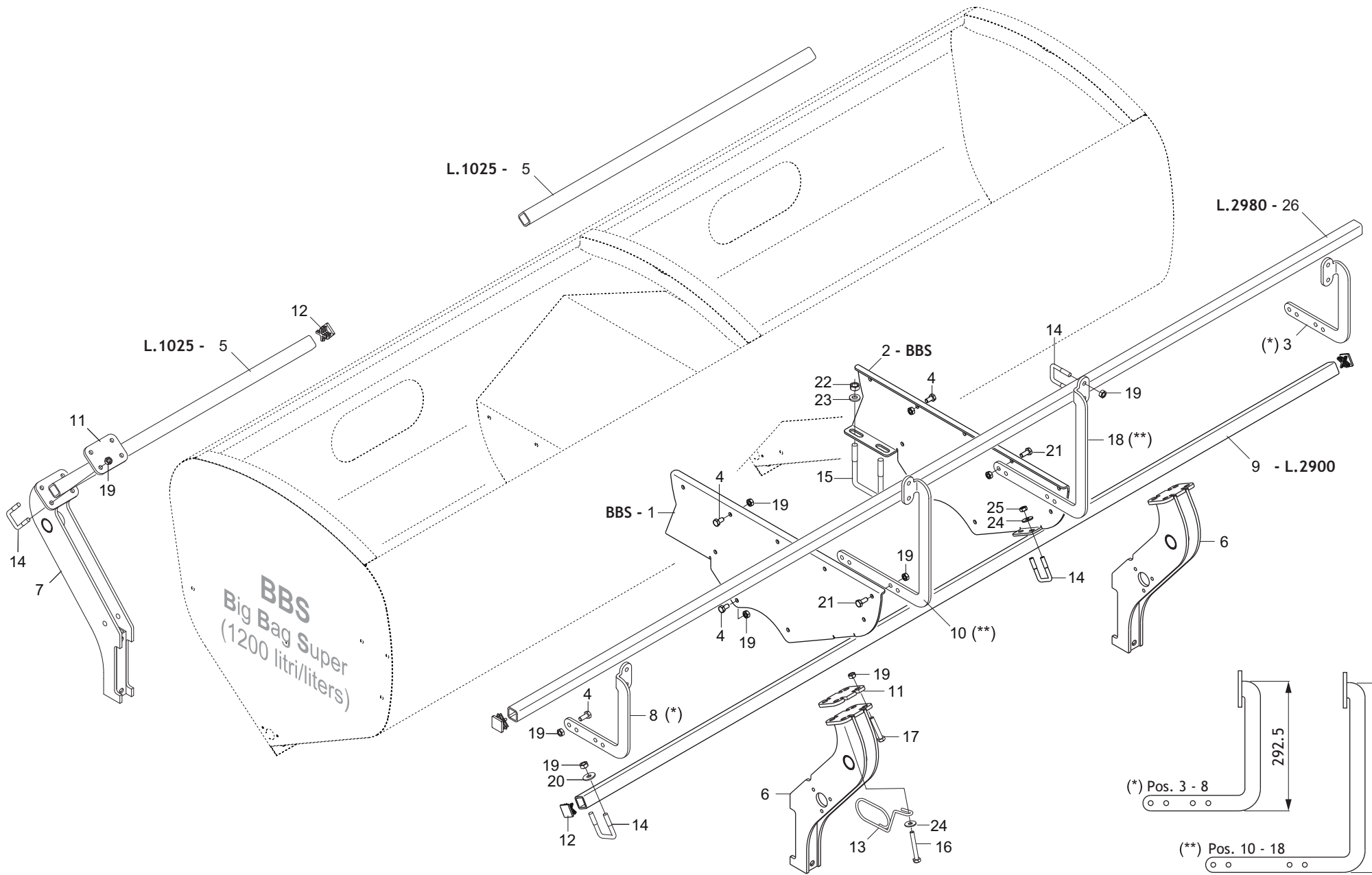
** | 3 - serb. 850
| 63 - serb. 1100

(***) Kit = (2+2 pz.)

**SERBATOI SPANDICONCIME PLASTICA
PLASTIC FERTILIZER DISTRIBUTOR**

TAV. 260

Pos.	Cod.	Descrizione	Description	Description	Benennung	Descripcion
56	G66248207R	TENDICATENA SPAND. SP-520	CHAIN TENSIONER	TENDEUR DE CHAINE EPAND. ENGR.	KETTENSPELLER DSNGERSTR. SP-52	SENSOR DE CADENA ABON. SP-520
57	G66248218R	RONDELLA DISTAN.SPAND.	MAN. SPR. SPACER WASHER	RONDELLE ENTRETOISE EP. ENGRAI	ABSTANDSCHEIBE DSNGERSTREUER	ARANDELA DISTAN.ABONAD.
58	F03150757R	TAPPO FILETT.SERBAT.PLASTICA	SCREWED PLUG FOR PLASTIC TANK			
59	G19700822R	DECAL.TABELLA CONCIME SP540	DECAL.FERTILIZER TABLE SP540			
60	G18701500R	RONDELLA 29,5 X38 X0,3	WASHER 29,5 X 38 X 0,3	RONDELLE 29,5 X38 X0,3	UNTERLEGSCHEIBE 29,5X38X0,3	ARANDELA 29,5 X38 X0,3
61	G15472790R	SERBATOIO 850 PLA.2U DX	PLAS.FERT.TANK 850 2 OUT. RH	RESERV 850 PLA 2S COMPL DRT	BEHZLTER 850 PLAST. RE 2 AUSG.	DEP SITO 850 PLA.2 SAL. DER.
62	G15271540R	ASSE AGITATORE DX 1100	STIRRER SPINDLE-RIGHT 1100 TAN	AXE AGITATEUR DRT.RESERV.1100	SAMENMISCHERACHSE RE BEH.1100	EJE AGITAD.DER.DEP S.1100 COM
63	G15271550R	ASSE AGITATORE SX 1100	STIRRER SPINDLE- LEFT 1100	AXE AGITATEUR GCH. 1100	SAMENMISCHERACHSE LINKER 1100	EJE AGITAD. IZQ. 1100
64	G15471920R	COPERCHIO SERBATOIO L.1100	TANK COVER L.1100	COUVERCLE RESERVOIR L.1100	BEHZLTERDECKEL L.1100	TAPA DEP S.L.1100
65	G15473130R	GRIGLIA SERBATOIO 1100 PLAST.	PLASTIC TANK GRID 1100	GRILLE RESERVOIR PLAST.1100	BEHZLTERGITTER PLAST.1100	REJILLA DEP SITO PLAST.1100
66	G19003060R	SERBATOIO 1100 PLASTICA	PLASTIC TANK 1100	RESERVOIR 1100 PLASTIQUE	PLASTIKBEHZLTER 1100	DEP SITO 1100 PL STICA
67	G20910045R	MANICOTTO UNIONE L.1180	JOINT SLEEVE L.1180	MANCHON RACCORD L. 1180	VERBINDUNGSMUFFE L.1180	MANGUITO DE UNI N L.1180
68	G20910044R	MANICOTTO UNIONE L.1375	JOINT SLEEVE L.1375	MANCHON RACCORD L. 1375	VERBINDUNGSMUFFE L.1375	MANGUITO DE UNI N L.1375
69	G15472800R	SERBATOIO 850 PLA.2U SX	PLAS.FERT.TANK 850 2 OUT. L	RESERV 850 PLA 2S COMPL GCH	BEHZLTER 850 PLAST. LI 2 AUSG.	DEP SITO 850 PLA.2 SAL. IZQ.
70	G15472810R	SERBATOIO 850 PLA.3U DX	PLAS.FERT.TANK 850 3 OUT. RH	RESERV 850 PLA 3S COMPL DRT	BEHZLTER 850 PLAST. RE 3 AUSG.	DEP SITO 850 PLA.3 SAL. DER.
71	G15472820R	SERBATOIO 850 PLA.3U SX	PLAS.FERT.TANK 850 3 OUT. LH	RESERV 850 PLA 3S COMPL GCH	BEHZLTER 850 PLAST. LI 3 AUSG.	DEP SITO 850 PLA.3 SAL. IZQ.
72	G15272680R	SERBATOIO 1100 3U.DX PLA.COMP.	TANK ASSY.1100 RIGHT 3U	RESERV 1100 PLA 3S COMPL DRT	KOMPL. BEHZLTER 1100 RE 3AUSG	DEP S. COMPL.1100 DER. 3 SAL.
73	G15272720R	SERBATOIO 1100 3U.SX PLA.COMP.	TANK ASSY. 1100 LEFT 3U	RESERV 1100 PLA 3S COMPL GCH	KOMPL. BEHZLTER 1100 LI 3AUSG	DEP S. COMPL.1100 IZQ. 3 SAL.
74	G15471430R	SERBATOIO 1500 3U DX	TANK ASSY.1500 LEFT 3U	RESERV 1500 FER 3S COMPL DRT	KOMPL. BEHZLTER 500 LI 3U	DEP S. COMPL.500 IZQ. 3 SAL.
75	G15471440R	SERBATOIO 1500 3U SX	TANK ASSY.1500 LEFT 3U	RESERV 1500 FER 3S COMPL DRT	KOMPL. BEHZLTER 1500 LI 3U	DEP S. COMPL.1500 IZQ. 3 SAL.
76	G20860032R	ASSE RUOTA CAMBIO L.1160	WHEEL AXLE - GEARBOX L.1160	AXE ROUE BOITE DE VITESSE	GEBTRIEBERADACHSE L 1160	EJE RUEDA CAMBIO L.1160

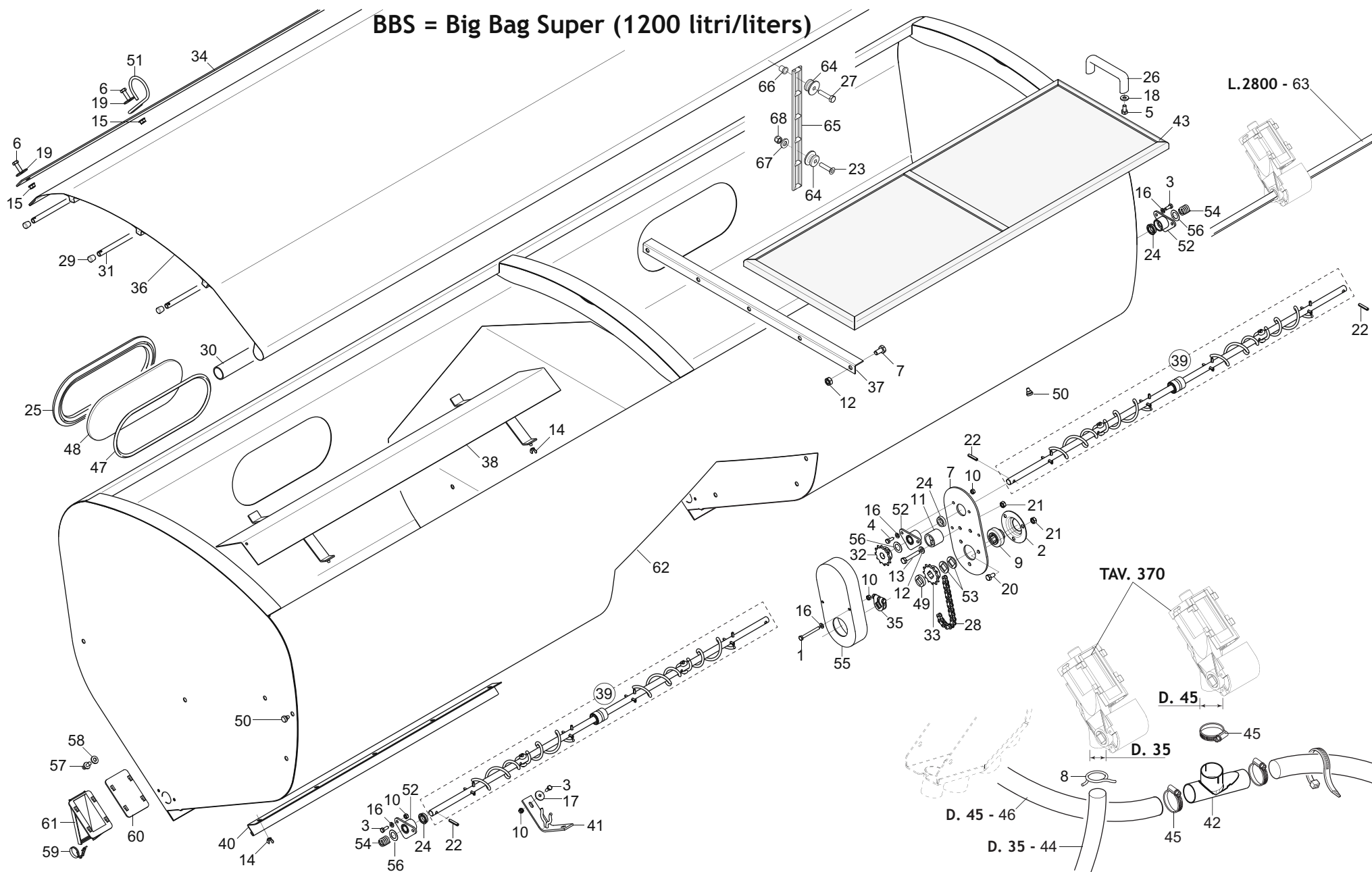


**SUPPORTI SERBATOIO SPANDICONCIME 'BBS'
SUPPORTS FOR 'BBS' FERTILIZER DISTRIBUTOR**

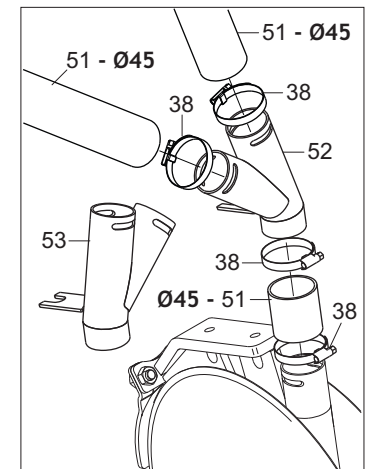
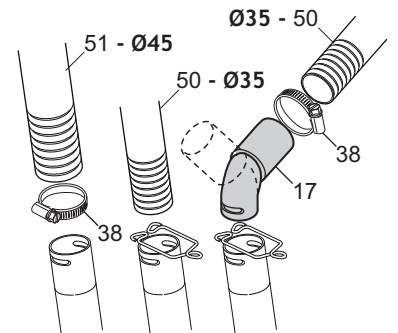
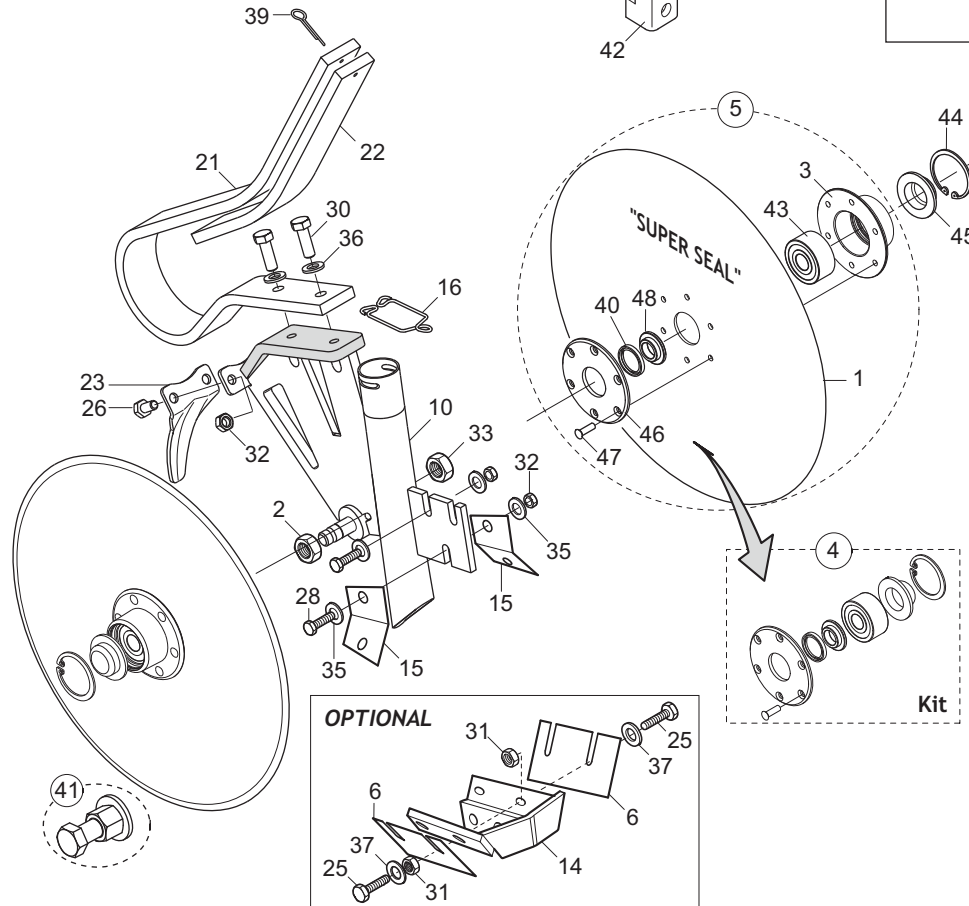
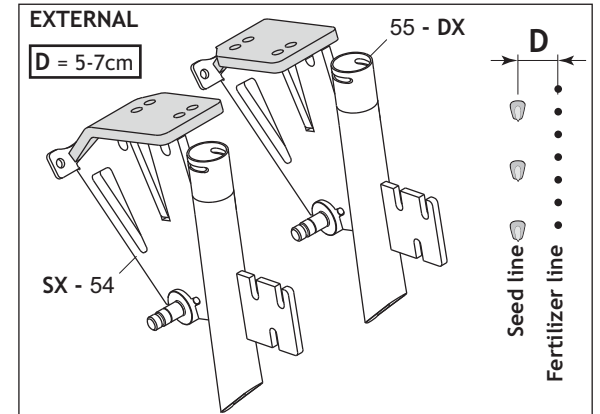
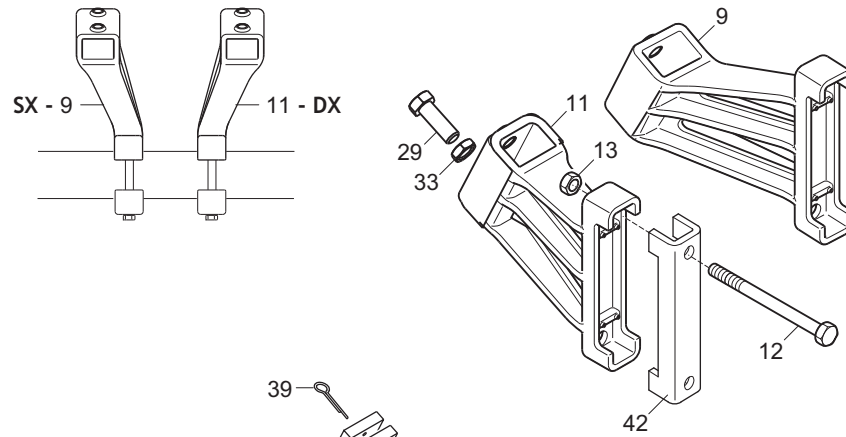
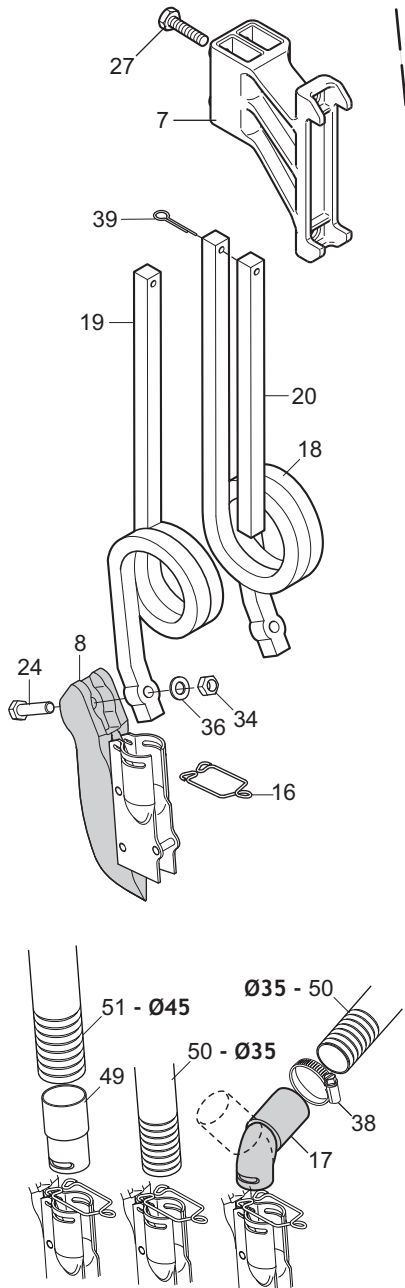
TAV. 270

Pos.	Cod.	Descrizione	Description	Description	Benennung	Description
1	G15274270R	FIANCO SUPP.INT.SX BB1200L	L.INTERNAL SUPP.SIDE BB1200L			
2	G15274260R	FIANCO SUPP.INT.DX BB1200L	R.INTERNAL SUPP.SIDE BB1200L			
3	G15275850R	SUPPORTO SX TUBO MICRO 60L	LEFT SUPPORT TUBE MICRO 60L			
4	F01020461R	VITE M10X1,5X20 U5739 8.8GE	SCREW M10X1,5X20 U5739 8.8GE			
5	G15273491R	TUBO Q. 35X 4X1025	TUBE Q. 35X 4X1025			
6	G15273444R	SUPPORTO POSTERIORE	REAR SUPPORT			
7	G15273472R	SUPPORTO FRONTALE	FRONT SUPPORT			
8	G15275860R	SUPPORTO DX TUBO MICRO 60L	RIGHT SUPPORT TUBE MICRO 60L			
9	G07000656R	TUBO Q. 35X 4X2900	SQUARE PIPE 35X35X4X2900	TUBE CARRE 35X35X4X2900	VIERKANTROHR 35X35X4X2900	TUBO CUADRADO 35X35X4X2900
10	G15275880R	SUPPORTO L.SX TUBO MICRO 60L	S.LEFT SUPPORT TUBE MICRO 60L			
11	G15274520R	PIASTRA D APPOGGIO MTE300	SUPPORT PLATE MTE300			
12	F20120346R	PUNTALE Q 35 ALETT.POLIT.NERO	SQ.TIP 35 BLACK			
13	G18904050R	MOLLA GUIDA 2 TUBI DEPRESS.	TUBE GUIDE SPRING	RESSORT GUIDE-TUBES	EDER ROHRF_HRUNG	MUELLE GUA TUBOS
14	F20110706R	CAV.Q.B=35 M=10X1,5 L=60	U BOLT Q.B=35 M=10X1,5 L=60	CAVALIER SUPPORT DISQUE SV	VERBINDUNG SCHEIBENHALTERUNG S	PERNO EN U SOP. DISCO SV
15	F20110770R	CAV.Q.B=80 M=14X2 L=119	U BOLT Q.B=80 M=14X2 L=119	BRIDE U M14X2X50 96X119 ZN	ANSCHLANG U M14X2X50 96X119 ZN	EL.DE EMPALME M14X2X50 96X119
16	F01020144R	VITE M10X1,5X75 U5737 A2IX	SCR. M10X1,5X75 U5737 A2IX	VIS M10X 1,5X 75 U5737 8.8 IX	SCHRAUBE M10X 1,5X 75 U5737 8.	TORNIL. M10X 1,5X 75 U5737 8.8
17	F01020143R	VITE M10X1,5X65 U5737 A2IX	SCR. M10X1,5X65 U5737 A2IX	VIS M10X 1,5X 65 U5737 8.8 IX	SCHRAUBE M10X 1,5X 65 U5737 8.	TORNIL. M10X 1,5X 65 U5737 8.8
18	G15275870R	SUPPORTO L.DX TUBO MICRO 60L	S.RIGHT SUPPORT TUBE MICRO 60L			
19	F01200271R	DADO M10X1,5 U5588 A2IX	NUT M10X1,5 U5588 A2IX	ECROU 10 5588 6.8 INOX	MUTTER 10 5588 6.8 INOX	TUERCA 10 5588 6.8 INOX
20	F01420059R	ROS.M10 10,5X 30X2,5 U6593 IX	WASHER 11X30X2,5 6593 A2	RONDELLE 11X30X2,5 6593 A2	UNTERLEGSSCHEIBE 11X30X2,5 6593	ARANDELA 11X30X2,5 6593 A2
21	F01020463R	VITE M10X1,5X25 U5739 A2IX	SCR. M10X1,5X25 U5739 A2IX	VIS 10X25 5739 INOX A2	SCHRAUBE 10X25 5739 INOX A2	TORNILLO 10X25 5739 INOX A2
22	F01200306R	DADO M14X2 U5588 CL8 ZN	NUT M14X2 U5588 6.8ZN	ECROU M14X2	MUTTER M14X2	DADO M14X2
23	G20970142R	RONDELLA 32X4X15,5	WASHER 32X4X15-5	RONDELLE 32X4X15-5	UNTERLEGSSCHEIBE 32X4X15-5	ARANDELA 32X4X15-5
24	F01420060R	ROS.M10 10,5X 30X2,5 U6593 ZG	GALV.WASHER 10,5X30X2,5 U6593	RONDELLE 10,5X30	SCHEIBE 10,5X30	ARANDELA 10,5X30
25	F01200270R	DADO M10X1,5 U5588 CL8 ZN	NUT M10X1,5 U5588 6.8ZN	ECROU M10X 1,5 U5588 6.8 ZN	MUTTER M10X 1,5 U5588 6.8 ZN	TUERCA M10X 1,5 U5588 6.8 ZN
26	G07000028R	TUBO Q.35 X4 X2980	SQUARE PIPE 35 X 35 X 3 X 2980	TUBE CARRE 35 X 35 X 3 X 2980	VIERKANTROHR 35 X 35 X 3 X 298	TUBO CUADRADO 35 X 35 X 3 X 29

BBS = Big Bag Super (1200 litri/liters)



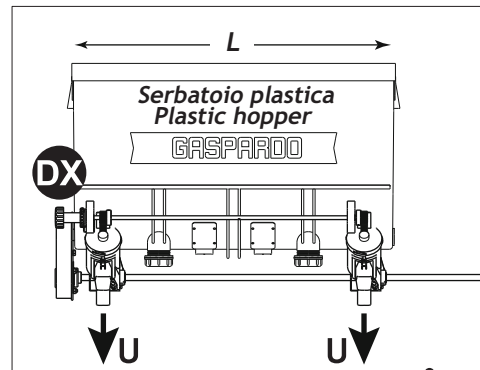
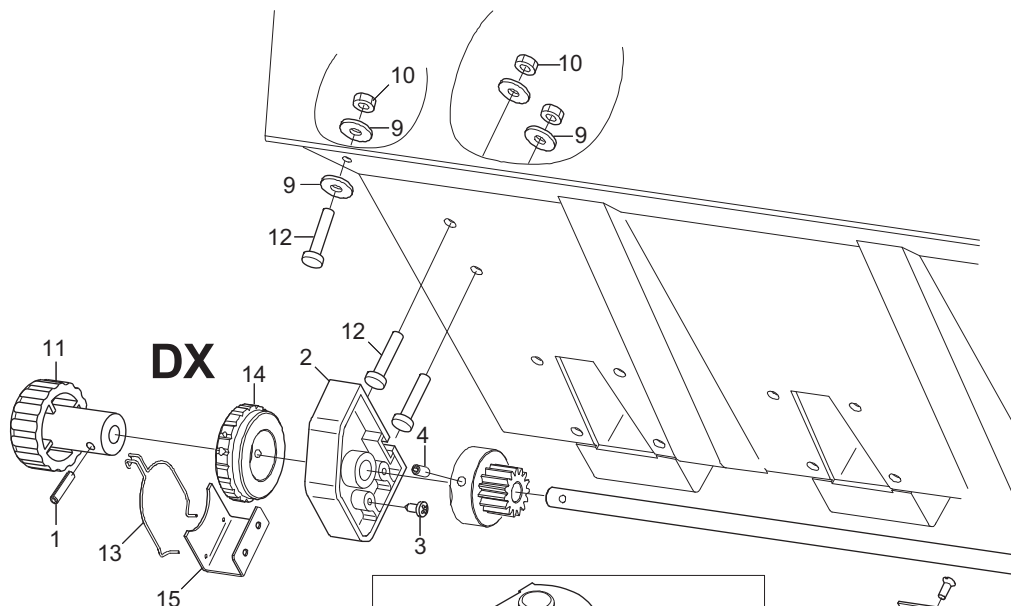
TAV. 290



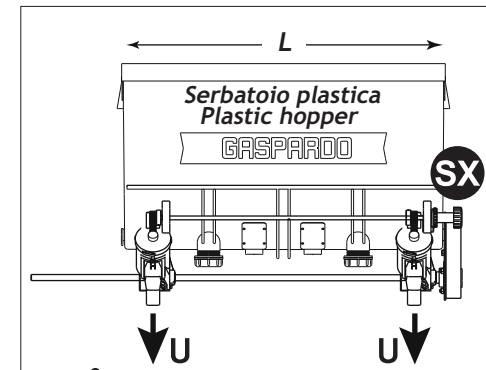
ELEMENTI DI CONCIMAZIONE FERTILIZER UNIT

TAV. 290

Pos.	Cod.	Descrizione	Description	Description	Benennung	Description
1	G13825091R	DISCO ASSOLCATORE D.373	FURROW OPENER DISK D.373	DISQUE SOC D. 373 6 T.D.6	SCHEIBE SZSCHARENREISSER D.373	DISCO SURCADOR D.373
2	G15220540R	DADO M16X1,5 SX	NUT M16X1-5 LEFT	ECROU M16X1-5 GCH	MUTTER M16X1-5 LI	TUERCA M16X1-5 IZQ
3	G15223651R	SUPPORTO CUSCINETTO DISCO	DISC BEARING SUPPORT	SUPPORT PALIER DISQUE	SCHEIBENLAGERBSCHSE	SOPORTE COJINETE DISCO
4	G15226600R	KIT X DISCO SUPER SEAL	SUPER-SEAL DISC KIT	KIT X DISC SUPER SEAL		KIT PARA DISCO SUPER SEAL
5	G15225500R	DISCO ASSOLC.PROTETTO COMPL.	FULLY PROTECTED DISC COULTER	DISQUE DU SOC PROT G COMPLET		DISCO SURGADOR COMPLETO
6	G15422231R	RASCHIATERRA DISCO	SCRAPER DISK			
7	G19203920R	SUPP.MOLLA QUADRA DOPPIA POS.	SQUARE SPRING SUPPORT			
8	G16670600R	FALCIONE ELEM.CONCIMAZ.QUADRA	SQUARE SPRING FERT COULTER	SOC LEM. FERTILIS. RESSORT CA	S-SCHAR ELEM.D_NGUNG QUADR.FED	BOTA ELEM.ABONAD.MUELLE CUADRA
9	G19204110R	SUPP.SX MOLLA DISCHI	LEFT DISCS SPRING SUPPORT			
10	G16670272R	ASS.SUPPORTO DISCHI CONCIMAZ.	ASS.SUPPORT DISCS FERTILIZAT.			
11	G19204100R	SUPP.DX MOLLA DISCHI	RIGHT DISCS SPRING SUPPORT			
12	F01020236R	VITE M14X2X220 U5737 8.8BR	SCR. M14X2X220 U5737 8.8BR	VIS M14X2X220 U5737 8.8 BR	SCHRAUBE M14X2X220 U5737 8.8	TORNILLO M14X2X220 U5737 8.8
13	F01200306R	DADO M14X2 U5588 CL8 ZN	NUT M14X2 U5588 6.8ZN	ECROU M14X2	MUTTER M14X2	DADO M14X2
14	G15472290R	SUPPORTO RASCHIAT.DISCHI CONC.	FERTIL DISCS SOIL SCRAPER SUPP	SUPP. RACLEUR DISQUES FUMAGE	HALTER. ERDSCHABER DSNUNGSSCH	SOPORTE RASCADOR DISCOS ABONO
15	G15472301R	RASCHIATERRA INTERNO	INTERNAL SCRAPER SOIL			
16	G18903911R	MOLLA FERMO TUBO D.35 ZN	PIPE LOCK SPRING D.35	RESSORT ARR-T TUBE D.35	ROHRSPERRFEDER D.35	MUELLE TOPE TUBO D. 35
17	G15473060R	TUBO DISCESA CONCIME	FERTILISER DOWN TUBE	COUDE DESCENTE ENGRAIS	DSNGERSENKROHR	TUBO DESCENSO ABONO
18	G18902770R	MOLLA CONCIMAZIONE 20X20 DX	SPRING 20X20 FERTILIZER RIGHT	RESSORT FUMAGE 20X20 DRT	FEDER DSNUNG 20X20 RE	MUELLE ABONO 20X20 DER
19	G18902780R	MOLLA CONCIMAZIONE 20X20 SX	SPRING 20X20 FERTILIZER LEFT	RESSORT FUMAGE 20X20 GCH	FEDER DSNUNG 20X20 LI	MUELLE ABONO 20X20 IZQ
20	G18903200R	FERMO SPIRALE	SPIRAL STOP	ARRET SPIRALE	FESTSTELLVORRICHTUNG SPIRALE	BLOQUEO ESPIRAL
21	G18903821R	MOLLA CONCIMAZIONE	FERTILIZER SPRING			
22	G18903901R	RINFORZO MOLLA CONCIMAZIONE	FERTILIZER SPRING SUPPORT			
23	G15225861R	PROTEZIONE DISCHI	DISC PROTECTION			
24	F01020156R	VITE M12X1,75X50 U5737 8.8ZN	SCR. M12X1,75X50 U5737 8.8ZN	VIS M12X1,75X50 U5737 8.8 ZN	SCHR. M12X1,75X50 U5737 8.8 ZN	TORN. M12X1,75X50 U5737 8.8 ZN
25	F01020403R	VITE M6X1X16 U5739 8.8ZN	SCR. M6X1X16 U5739 8.8ZN	VIS M6X1X16 U5739 8.8 ZN	SCHRAUBE M6X1X16 U5739 8.8 ZN	TORNILLO M6X1X16 U5739 8.8 ZN
26	F01020470R	VITE M10X1,5X20 U5739 8.8ZN	SCR. M10X1,5X20 U5739 8.8ZN	VIS M10X1,5X20 U5739 8.8 ZN	SCHRAUBE M10X1,5X20 U5739 8.8 ZN	TORNILLO M10X1,5X20 U5739 8.8ZN
27	F01020508R	VITE M12X1,75X25 U5739 8.8ZN	SCR. M12X1,75X25 U5739 8.8ZN	VIS M12X1,75X25 U5739 8.8 ZN	SCHRAUBE M12X1,75X25U5739.8ZN	TORNIL.M12X1,75X25 U5739 8.8ZN
28	F01020476R	VITE M10X1,5X30 U5739 8.8ZN	SCR. M10X1,5X30 U5739 8.8ZN	VIS M10X1,5X30 U5739 8.8 ZN	SCHRAUBE M10X1,5X30U5739 8.8ZN	TORNIL.M10X1,5X30 U5739 8.8 ZN
29	F01020568R	VITE M16X2X45 U5739 8.8ZN	SCR. M16X2X45 U5739 8.8ZN	VIS M 16X 2X45 U5739 8.8 ZG	SCHRAUBE M 16X 2X45 U5739 8.8	TORNILLO M16X 2X45 U5739 8.8
30	F01020528R	VITE M12X1,75X40 U5739 10.9ZN	BOLT M12X1,75X40 U5739 10.9ZN	VIS M12X1,75X40 U5739 10.9 ZN	SCHR.M12X1,75X40 U5739 10.9 ZN	TORN.M12X1,75X40 U5739 10.9 ZN
31	F01200232R	DADO M6X1 U5588 CL8 ZN	NUT M6X1 U5588 6.8ZN	ECROU 6 UNI 5588 6.8 ZN	MUTTER 6 UNI 5588 6.8 ZN	TUERCA 6 UNI 5588 6.8 ZN
32	F01200270R	DADO M10X1,5 U5588 CL8 ZN	NUT M10X1,5 U5588 6.8ZN	ECROU M10X 1,5 U5588 6.8 ZN	MUTTER M10X 1,5 U5588 6.8 ZN	TUERCA M10X 1,5 U5588 6.8 ZN
33	F01200442R	DADO M16X1,5 U5589 CL8 ZN	NUT M16X1,5 R. U5589 6.8ZN	ECROU 16X1-5 UNI 5589 6.8 ZN	MUTTER 16X1-5 UNI 5589 6.8 ZN	TUERCA 16X1-5 UNI 5589 6.8 ZN
34	F01220048R	DADO M12X1,75 D980 8ZN	NUT M12X1,75 D980 8ZN	ECROU M12X1,75 D980 8 ZN	SCHEIBE M12X1,75 D980 8 ZN	TUERCA M12X1,75 D980 8 ZN
35	F01410064R	ROS.M10 10,5X 20X 2 U6592 ZN	WASHER M10 10,5X20X2 U6592 ZN	RONDEL. M10 10,5X20X2 U6592 ZN	SCHEIBE M10 10,5X20X2 U6592 ZN	ARANDEL.M10 10,5X20X2 U6592 ZN
36	F01410076R	ROS.M12 13X 24X2,5 U6592 ZN	WASHER 12 13X 24X2,5 U6592 ZN	RONDEL. M12 13X24X2,5 U6592 ZN	SCHEIBE M12 13X24X2,5 U6592 ZN	ARANDELA M12 13 X24X2,5 ZN
37	F01420036R	ROS.M6 6,4X 18X1,5 U6593 ZN	WASHER M6 6,4X 18X1,5 U6593 ZN	RONDELLE M6 6,4X18X1,5 U6593ZN	SCHEIBEN M6 6,4X18X1,5U6593 ZN	ARANDELA M6 6,4X18X1,5U6593ZN
38	F02300020R	FASCETTA STRING. 32 50 H.9	HOSE CLAMP 32 50 H.9			
39	F02200229R	COPIGLIA 5X 45 U1336 ZN	SPLIT PIN 5X 45 U1336 ZN	GOUPILLE 5X 45 U1336 ZN	SPANNSTIFT 5X 45 U1336 ZN	PASADOR 5X 45 U1336 ZN
40	F03011075R	AN. TENUTA B1OF 24X32X4	SEALING RING 24X32X4	BAGUE D ETANCHEITE 24X32X4	DICHTUNGSRING 24X32X4	ANILLO AISLADOR 24X32X4
41	G15225240R	ESTRATTORE DISCHI ELEMENTO MT	SEED PLATE EXTRACTOR ELEM. MT	EXTRACTEUR DISQUE ELEMENT MT	SCHEIBENAUSZIEHER ELEMENT MT	EXTRACTOR DISCOS ELEMENTO MT
42	G15110091R	SCONTRO A U	CONTRA U	BRIDE 150 MM	ANSCHLAG	ELEMENTO DE EMPALME
43	F04010084R	CUSC.D17D47 B22.2 3303 LLU DDU	BEARING 3303 2RS	ROULEMENT	LAGER 3303 2RS	COJINETE 3303 2RS
44	F02050370R	ANELLO E. DI 47X1,75 U7437 C70	SEEGER RING 47X 1,75 U7437 C70	SEEGER E. 47X 1,75 U7437 C70	SEEGERING E. 47X1,75 U7437 C70	ANILLO E. 47X 1,75 U7437 C70
45	G19002500R	TAPPO FLANGIA DISCHI MT	PLUG FLANGE DISK			
46	G15225480R	FLANGIA INT.DISCO PROTETTO ZN	INNER DISK FLANGE	BRIDE INT. DISQUE	INNENFLANSCH SCHEIBE	BRIDA INTERIOR DISCO
47	F02250521R	RIBATTINO TSC 6 X19,8 A 2	RIVET TSC 6X19,8 A 2 BY PIECE	PAQUET RIVETS TSC 6X 19,8 A 2	PACKUNG NIETEN TSC 6X19,8 A 2	PAQU.REMACHES TSC 6X 19,8 A 2
48	G15225490R	BOCCOLA PARAP.DISCO PROTETTO	DISC DUST SEAL BUSH D.34	BOITE PARAP.DISCO PROTETTO	BUCHSE PARAP.DISCO PROTETTO	MANGUITO PARAP.DISCO PROTETTO
49	G15276480R	RIDUZIONE X MOLLA CONCIMAZIONE	FERTILIZER SPRING REDUCTION			
50	F03100500R	TUBO EOLO 35 PU	TUBE EOLO 35 PU	TUBE EOLO 35 PU		TUBO EOLO
51	F03100506R	TUBO EOLO PU D.45	TUBE EOLO PU D.45	TUBE EOLO PU D.45		
52	G16671150R	GIUNZIONE Y D45 DX	RIGHT JUNCTION Y D45			
53	G16671180R	GIUNZIONE Y D45 SX	LEFT JUNCTION Y D45			
54	G16671271R	ASS.SUPP.DISCHI CONC.LAT.SX	ASS.SUPP.DISCS FERT.SIDE LEFT			
55	G16671261R	ASS.SUPP.DISCHI CONC.LAT.DX	ASS.SUPP.DISCS FERT.SIDE RIGHT			

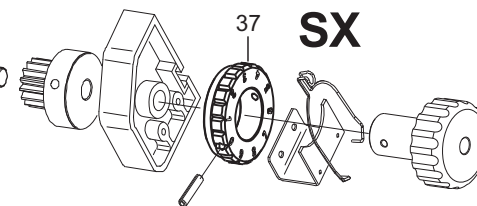


(completo/complete) 2U, L. 850 - 40
 (completo/complete) 4U, L. 1100 - 42

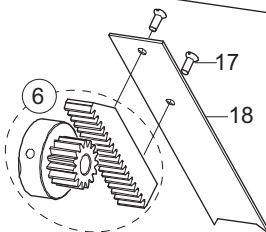
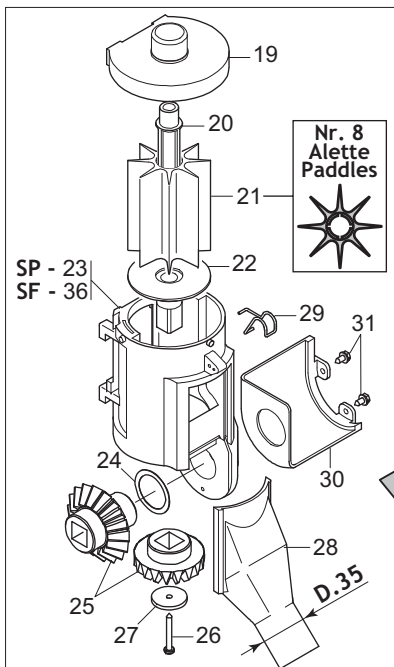
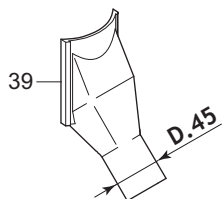
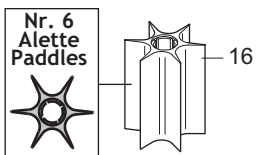


41 - L. 850, 2U (completo/complete)
 43 - L. 1100, 4U (completo/complete)

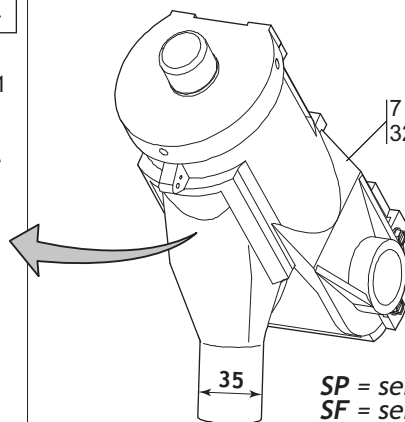
L. 780 - 8
 L. 1030 - 33
 L. 1230 - 34
 L. 1430 - 35



Optionals

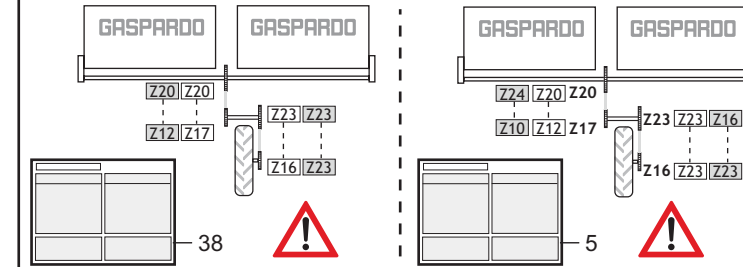


7 - SP
 32 - SF



SP = serbatoio plastica / plastic hopper
 SF = serbatoio ferro / metal hopper

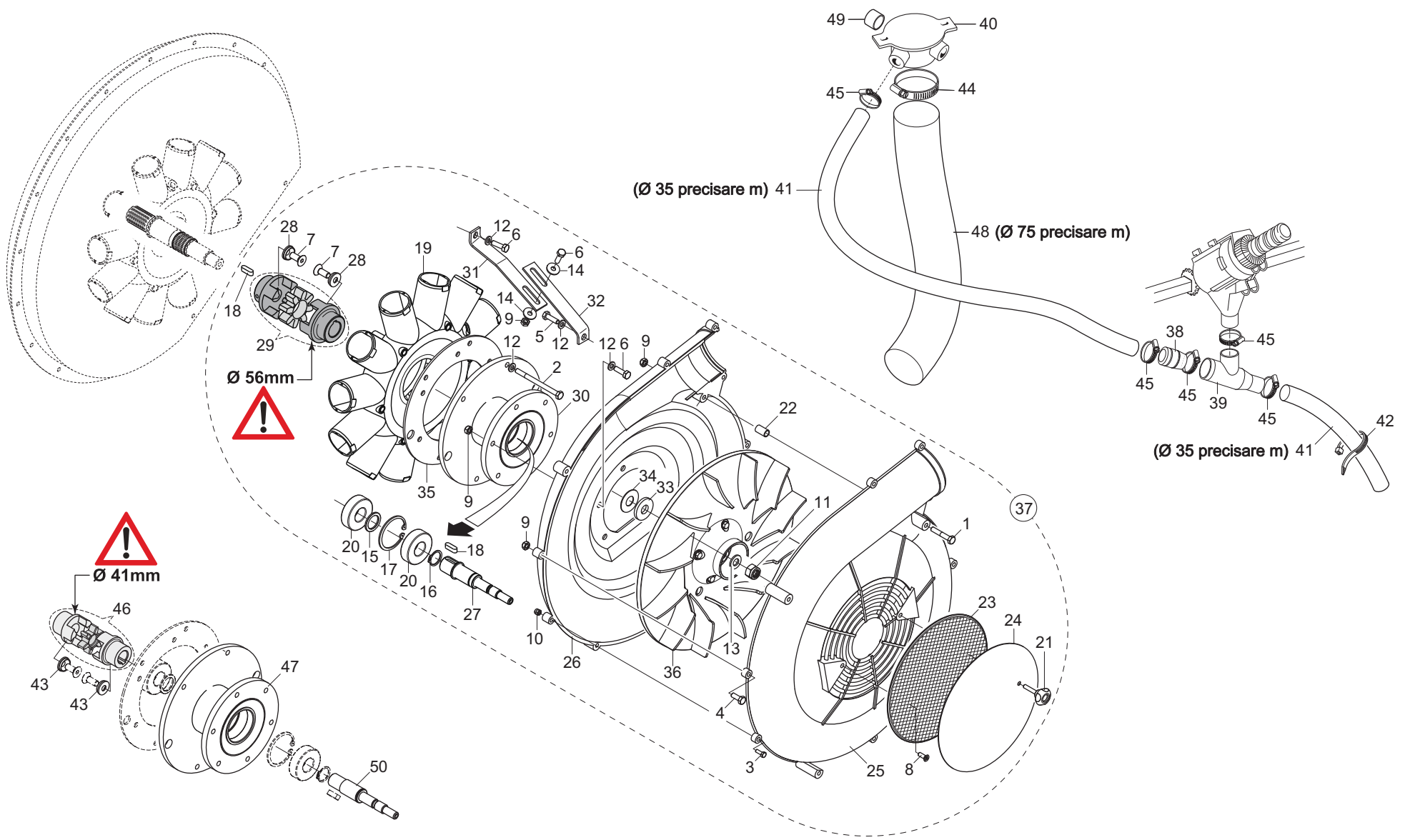
Tabelle di Distribuzione concime / Fertilizer Distribution Table



**SPEEDY SET
SPEEDY SET**

TAV. 300

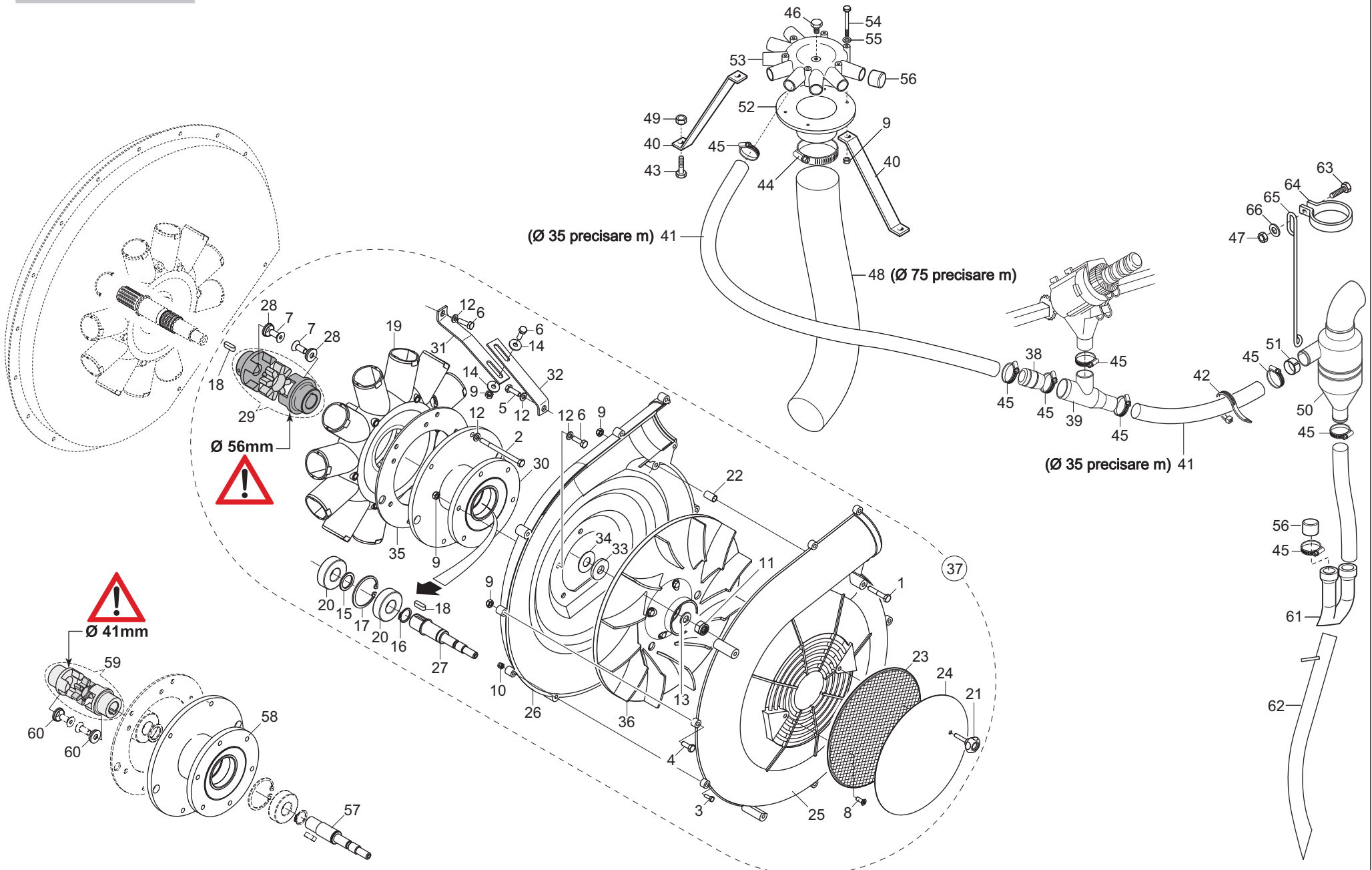
Pos.	Cod.	Descrizione	Description	Description	Benennung	Descripcion
1	F02100066R	SPINA EL.4 X36 DIN 1481	PIN EL. 4X 36 U6873 C70 BR			
2	G19003660R	SUPPORTO	SUPPORT	SUPPORT	HALTERUNG	SOPORTE
3	F01070061R	VITE A3,9X1,34X9,5 U6954 4.8NI	SCR. H3,9X1,34X9,5 U6954 4.8NI	VIS 3,9X 9,5 DIN 7981	SCHRAUBE 3,9X 9,5 DIN 7981	TORNILLO 3,9X 9,5 DIN 7981
4	F01050083R	VITE M5X0,8X12 U5927 A2IX	SCR. M5X0,8X12 U5927 A2IX	GOUJON 5X12 UNI 5927	STIFT 5X12 UNI 5927	TORNILLO SIN CABEZA 5X12 5927
5	G19707170R	DECAL.TABELLA CONCIME R7 3RAPR	FERTILIZER DISTR.TABLE W7 3R			
6	G16675490R	KIT PIGNONE CREMAGLIERA	KIT PINION RACK			
7	G16670040R	DISTR.COMPL.8PALE SPEEDY SET P	COMPL.PLA.SPEEDY SET DISTR.8R	MINIMAX COMPL 8C PLA SPEEDYSET	KOMPL.DOSIER.SPEEDY SET PLA.8S	DISTR.COMP.SPEEDY SET PLA.8AL.
8	G16670321R	TONDO D.10X 780 3F4	ROUND BAR D.10X780 3F4			
9	F01420038R	ROS.M6 6,4X18X1,5 U6593 IX	WASHER M6 6,4X18X1,5 U6593 IX	RONDELLE M6 6,4X18X1,5U6593 IX	SCHEIBE M6 6,4X18X1,5 U6593 IX	ARANDELA M6 6,4X18X1,5 6593IX
10	F01200233R	DADO M6X1 U5588 A2IX	NUT M6X1 U5588 A2IX	ECROU M 6X 1 U5588 I	MUTTER M 6X 1 U5588	TUERCA M 6X 1 U5588
11	G19003670R	MANOPOLA SPEEDY SET	SPEEDY HANDLE SET	POIGN E SPEEDY SET	GRIFF SPEEDY SET	EMPU ADURA SPEEDY SET
12	F01020419R	VITE M 6X1 X 16 U5739 A2IX	SCR. M6X1X16 U5739 A2IX	VIS M6 X1 X 16 U5739 8.8 IX	SCHRAUBE M6 X1 X 16 U5739 8.	TORNIL. M6 X1 X 16 U5739 8.8
13	G65336055R	MOLLA SPEC.REGOL.SPAND. SP	SPEC SPRING MAN. SPR. ADJUSTM.	RESSORT SPEC. REGL. EP. ENTRA	SPEZIALFEDER STREUEREINSTELLUN	MUELLE ESPEC. REGUL. ABONADORA
14	G19003720R	GHIERA REGOLAZIONE SX	LEFT ADJUSTMENT KNURLED NUT	MANCHON DE REGLAGE GCH	EINSTELLMUTTER LINKS	ROSCA REGULACION IZQUIERDA
15	G16670310R	SUPPORTO MOLLA REGOLATORE	ADJ.SPRING SUPPORT			
16	G19003610R	DOSATORE 6 PALE	DISTRIBUTOR ROTOR 6 GROOVES	ROTOR DOSEUR 6 FERTI	DOSIERER KOMPL.6 ZELLEN	DOSIFICADOR COMPL.6 SECTOR
17	F01080032R	VITE M4X0,7X10 U7688 A2IX	SCR. M4X0,7X10 U7688 A2IX	VIS M4X 0,7X10 U7688 A2 IX	SCHRAUBE M4X 0,7X10 7688 A2 IX	TORNILLO M4X0.7X10 U7688 A2 IX
18	G16670100R	REGOLATORE APERTURA	OPENING REGULATOR	REGULATEUR OUVERTURE	TFFNUNGSEINSTELLER	REGULADOR ABERTURA
19	G19003700R	COPERCHIO SPEEDY SET	COVER SPEEDY SET	COUVERCLE SPEEDY SET	DECKEL SPEEDY SET	TAPA SPEEDY SET
20	G66248173R	ASSE DISTR.SPAND. SP	MANURE SPREADER DISTR. SPINDLE	AXE DISTRIBUTEUR EP.ENGRAIS SP	ACHSE SZAPPARAT STREUER SP	EJE DISTR. ABON. SP
21	G66248172R	DOSATORE DISTR.SPAND. SP	MAN.SPR. SEED METERING DEVICE	DOSEUR DISTRIBUTEUR EP. ENGRAI	DOSIERER DSNGERSTREUER. SP	DOSIFICADOR DISTR.ABON. SP
22	G66248211R	PERNO RONDELLA FUSA SPAND. SP	MAN. SPR. CAST WASHER PIN. SP	PIVOT RONDELLE MOULEE EP. ENGR	ZAPFEN LOSE UNTERLEGSCHIEBE ST	PERNO ARANDELA FUNDIDA ABONAD
23	G19002920R	CORPO DISTRIBUTORE SPANDI PLA.	PLA. F.SPREADER DISTRIB.CASING	CORPS DISTRIBUTEUR EPAND.	VERTEILUNGSKTRPER STREUER PLA.	CUERPO DIST. ABONADORA PL S.
24	G18701500R	RONDELLA 29,5 X38 X0,3	WASHER 29,5 X 38 X 0,3	RONDELLE 29,5 X38 X0,3	UNTERLEGSCHIEBE 29,5X38X0,3	ARANDELA 29,5 X38 X0,3
25	G20860126R	KIT INGRANAGGI DISTRIB.CONCIME	KIT- MAN. DISTR. GEARS 2 2	COUPLE CON DISTR ENGRAIS 2 2	KIT ZAHNRZDER DSNGERSTREUER	SET ENGRANAJES DISTRIB. ABONO
26	F01070075R	VITE A4,2X1,41X38 U6954 4.8NI	SCR. H4,2X1,41X38 U6954 4.8NI	VIS 4-2X38 DIN 7981	SCHRAUBE 4-2X38 DIN 7981	TORNILLO 4-2X38 DIN 7981
27	G20970097R	RONDELLA 32X3X4,5	WASHER 32X3X4-5	RONDELLE 32X3X4-5	UNTERLEGSCHIEBE 32X3X4-5	ARANDELA 32X3X4-5
28	G66248178R	SCIVOLO DISTR.SPAND. SP	CHUTE- MANURE-SPREADER DISTRIB	LANCOIR DISTRIBUTION EP. ENGR.	DSNGERSTREUER RUTSCHE SP	PLANO INCLINADO DISTR. ABON. S
29	G65336062R	MOLLA SPEC.SCIV.DISTR.SPAND.SP	SPEC SPRING - MAN. SPR. DISTR.	RESS. SPEC. LANCOIR DISTR. EP.	SPEZ.FEDER RUTSCHE SZAPP. STRE	MUELLE ESPEC.PLANO INCL.DISTR.
30	G19002850R	PROTEZIONE PIGNONE	PINION GUARD	PROTECTION PIGNON	RITZELSCHUTZ	PROTECCI N PI N
31	F01070011R	VITE A4,2X1,41X9,5 U6950 4.8NI	SCR. H4,2X1,41X9,5 U6950 4.8NI	VIS AUTOTAR. 4-2X9-5 T. E. COU	SELBSTSCHNEID. SCHRAUBE 4-2X9-	TORNILLO AUTORROSC. 4-2X9-5
32	G13722330R	DISTR.COMPL.8PALE SPEEDY SET F	COMPL.SPEEDY 8-BLADE DISTR. SE	DISTR.COMPL.8PALETES SPEEDY S	SAATGUTAUS.8SCH.KOMPL.SPEEDY S	DISTR.COMPL.8PALETAS SPEEDY SE
33	G16670330R	TONDO D.10X1030	ROUND D.10X1030			
34	G16670340R	TONDO D.10X1230	D.10X1230 ROUND	ROND D.10X1230	RUNDEISEN D.10X1230	BARRA REDONDA D. 10X1230
35	G16670350R	TONDO D.10X1430	D.10X1430 ROUND	ROND D.10X1430	RUNDEISEN D.10X1430	BARRA REDONDA D. 10X1430
36	G66248176R	CORPO DISTR.SPAND. SP	MANURE SPREADER DISTR. CASING	CORPS DISTRIB. EP. ENGRAIS SP	VERTEILUNGSKTRPER STREUER SP	CUERPO DISTR. ABON. SP
37	G19003710R	GHIERA REGOLAZIONE DX	RIGHT ADJUSTMENT KNURLED	BAGUE REGLAGE DROITE	EINSTELLMUTTER RE	CONTRATUERCA REGULACIN DER.
38	G19703262R	DECAL.TABELLA SPANDI S.SET ST	LABEL TAB.FERTILIZER S.SET ST			
39	G19003620R	SCIVOLO D.45	CHUTE D.45	LANCOIR D.45	RUTSCHE D.45	PLANO INCLINADO D.45
40	G15477210R	MONT.SPANDI 850 2U DX REG.C.	FERT.850 2O RH CENTR.REG.			
41	G15477220R	MONT.SPANDI 850 2U SX REG.C.	FERT.850 2O LT CENTR.REG.			
42	G15474900R	MONT.SPA.1100 E DX 4U RO 1460	ASS.SPAN.1100 E RH 4U RO 1460			
43	G15474890R	MONT.SPA.1100 E SX 4U RA 1600	ASS.SPA.1100 E LEFT 4U RA 1600			



**CONCIMAZIONE PNEUMATICA FILE ESTERNE
PNEUMATIC FERTILIZER FOR EXTERNAL ROWS**

TAV. 310

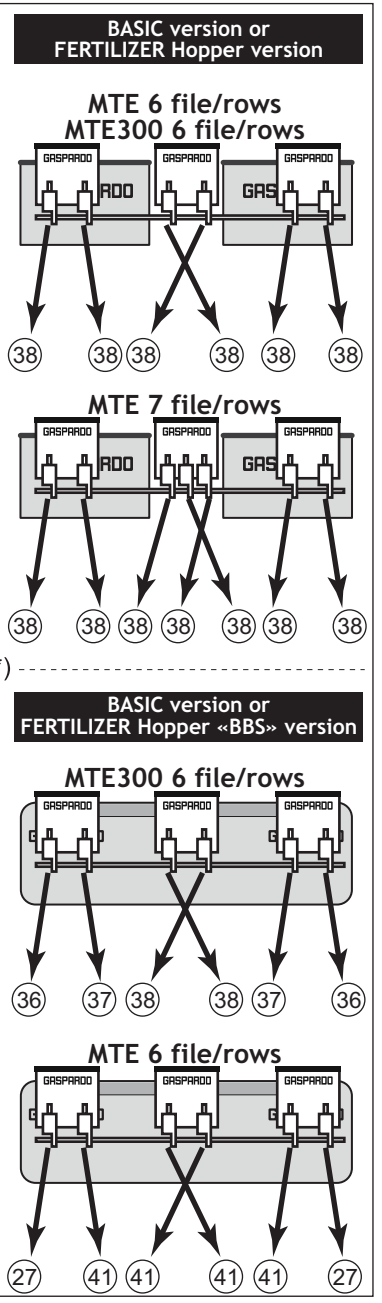
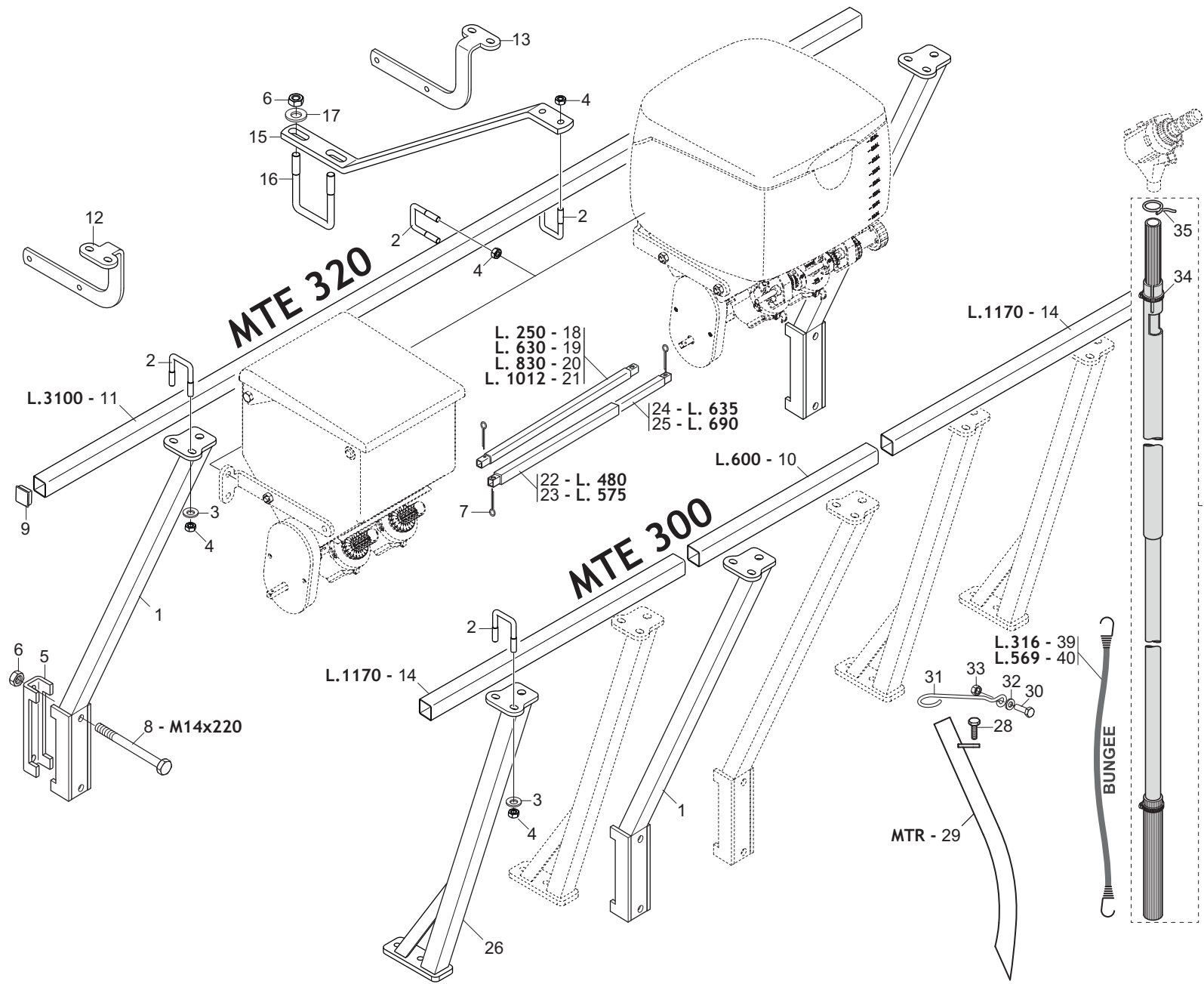
Pos.	Cod.	Descrizione	Description	Description	Benennung	Descripcion
1	F01020039R	VITE M6X1X35 U5737 8.8ZN	SCR. M6X1X35 U5737 8.8ZN	VIS 6 X35 5737 8.G ZN	SCHRAUBE 6 X35 5737 8.G ZN	TORNILLO 6 X35 5737 8.G ZN
2	F01020050R	VITE M6X1X80 U5737 8.8ZN	SCR. M6X1X80 U5737 8.8ZN	VIS 6 X80 5737 8.G ZN	SCHRAUBE 6 X80 5737 8.G ZN	TORNILLO 6 X80 5737 8.G ZN
3	F01020362R	VITE M4X0,7X12 U5739 8.8ZN	SCR. M4X0,7X12 U5739 8.8ZN	VIS 4X12 5739 8.G ZN	SCHRAUBE 4X12 5739 8.G ZN	TORNILLO 4X12 5739 8.G ZN
4	F01020398R	VITE M6X1X12 U5739 8.8ZN	SCR. M6X1X12 U5739 8.8ZN	VIS M6X 1X12 U5739 8.8 ZN	SCHRAUBE M6X 1X12 U5739 8.8 ZN	TORNILLO M6X 1X12 U5739 8.8 ZN
5	F01020403R	VITE M6X1X16 U5739 8.8ZN	SCR. M6X1X16 U5739 8.8ZN	VIS M6X1X16 U5739 8.8 ZN	SCHRAUBE M6X1X16 U5739 8.8 ZN	TORNILLO M6X1X16 U5739 8.8 ZN
6	F01020404R	VITE M6X1X20 U5739 8.8ZN	SCR. M6X1X20 U5739 8.8ZN	VIS M6X1X20 U5739 8.8ZN	SCHRAUBE M6X1X20 U5739 8.8ZN	TORNILLO M6X1X20 U5739 8.8ZN
7	F01030055R	VITE M8X1,25X20 U5933 10.9ZD	SCR. M8X1,25X20 U5933 10.9ZD	VIS M 8X20	SCHRAUBE M 8X20	TORNILLO M 8X20
8	F01080044R	VITE M5X0,8X14 U7688 4.8ZN	SCR. M5X0,8X14 U7688 4.8ZN	VIS 5 X14 7688 ZN	SCHRAUBE 5 X14 7688 ZN	TORNILLO 5 X14 7688 ZN
9	F01220011R	DADO M6X1 D980 8ZN	NUT M6X1 D980 8ZN	ECROU M6X1 D980 8 ZN	MUTTER M6X1 D980 8 ZN	TUERCA M6X1 D980 8 ZN
10	F01230016R	DADO M4X0,7 D982 8ZN	NUT M4X0,7 D982 8ZN	ECROU AUTOB.NOR.4 ZN	SELBSTSP. MUTTER NOR. 4 ZN	TUERCA AUTOB. NOR. 4 ZN
11	F01230048R	DADO M10X1,5 D982 8ZN	NUT M10X1,5 D982 8ZN	ECR.AUTO-FREIN.M10X1,5 D982 ZN	SICHERUNGSMUTT.M10X1,5 D982 ZN	TUERCA SEGURID.M10X1,5 D982 ZN
12	F01410037R	ROS.M6 6,4X12,5X1,6 U6592 ZN	WASHER M6 6,4X12,5X1,6 U6592ZN	RONDEL.M6 6,4X12,5X1,6 U6592ZN	SCHEIB.M6 6,4X12,5X1,6 U6592ZN	ARAND.M6 6,4X12,5X1,6 U6592 ZN
13	F01410064R	ROS.M10 10,5X20X2 U6592 ZN	WASHER M10 10,5X20X2 U6592 ZN	RONDEL. M10 10,5X20X2 U6592 ZN	SCHIEBE M10 10,5X20X2 U6592 ZN	ARANDEL.M10 10,5X20X2 U6592 ZN
14	F01420036R	ROS.M6 6,4X 18X1,5 U6593 ZN	WASHER M6 6,4X 18X1,5 U6593 ZN	RONDELLE M6 6,4X18X1,5 U6593ZN	SCHEIBEN M6 6,4X18X1,5U6593 ZN	ARANDELA M6 6,4X18X1,5U6593ZN
15	F01440012R	ROS. 20X28X 2 D988 IX	WASHER 20X28X2 DIN 988	RONDELLE 20X28X2 DIN 988	UNTERLEGSCHIEBE 20X28X2 DIN 98	ARANDELA 20X28X2 DIN 988
16	F02050078R	ANELLO E. DE 20X 1,2 U7435 C7	SEEGER RING E. 20X1,2 7435 C70	SEEGER 20X 1,2 U7435 C70	SEEGER E. 20X 1,2 U7435 C70	
17	F02050370R	ANELLO E. DI 47X1,75 U7437 C70	SEEGER RING 47X 1,75 U7437 C70	SEEGER E. 47X 1,75 U7437 C70	SEEGERING E. 47X1,75 U7437 C70	ANILLO E. 47X 1,75 U7437 C70
18	F02150036R	LINGUETTA 6X 6X 20 U6604A	PARALLEL KEY 6X 6X 20 U6604A	LANGUETTE 06X6X20 UNI6604	FEDERKEIL 06X6X20 UNI6604	LENGSETA 06X6X20 UNI6604
19	G15476360R	CONVOGLIATORE 12U CONC.PNEUM.	CONVEYOR 12OUTLETS PNEUM.FERT.			
20	F04010165R	CUSC.D20 D47 B14 6204,2RSC3	BEARING D20 D47 B14 6204 2RSC3	PALIER 6204 2RS	LAGER 6204 2RS	COJINETE 6204 2RS
21	F06220034R	VOLANTINO M5 X 25 VPA 25	HANDWHEEL M5 X 25 VPA 25	VOLANT M5 X 25 VPA 25	HANDRAD M5 X 25 VPA 25	VOLANTE M5 X 25 VPA 25
22	G23440562R	DISTANZ.GUSCI SOFFIANTE HL ID	BLOWER SHELL SPACER HL ID	ENTRETOISE COQUES SOUFFLANTE H	DISTANZSTCK SCHALEN GELBZSE H	DISTANC. CASCARAS SOPLAD. HL I
23	G23440563R	GRIGLIA DI PROTEZIONE HL ID	PROTECT. GRID HL ID	GRILLE DE PROTECTION HL ID	SCHUTZGITTER HL ID	REJILLA DE PROTECCI N HL ID
24	G23440564R	COPERCHIO CHIUSURA SOFF. HL ID	BLOWER CLOSING COVER . HL ID	COUVERCLE FERMETURE SOUFL. HL	ABSCHLUSSDECKEL GEBL. HL ID	TAPA CIERRE SOPL. HL ID
25	G13912460R	COPRIVENTOLA LATO SCHIENALE	BACK FAN PROTECTION	PROTECTION ROTOR DOSSIER	RUECKENLAUFRADSCHUTZ	PROTECCI N VENTILADOR RESPALDO
26	G13912470R	COPRIVENTOLA LATO MOTORE	MOTOR FAN PROTECTION	PROTECTION ROTOR MOTEUR	MOTORLAUFRADSCHUTZ	PROTECCI N VENTILADOR MOTOR
27	G15450402R	PUL.CONDOTTA CONCIM.PNEUM.	DRIVEN PULLEY PNEUM.SEEDER			
28	G15355500R	RONDELLA AUTOCENTRANTE ZN	SELF-CENTERING WASHER ZN	RONDELLE AUTOCENTREE ZN	SELBSTZENTR.UNTERLEGSCH. ZN	ARANDELA AUTOCENTRADORA ZN
29	G15476340R	GIUNTO ELAS.LAVOR.D.18-22 L66	ELASTIC COUPLING D.18-22 L66			
30	G15450433R	FLANGIA	FLANGE			
31	G15470411R	RINF.ANTERIORE	FRONT REINFORCEMENT			
32	G15470421R	RINF.POSTERIORE	REAR REINFORCEMENT			
33	G18700350R	RONDELLA 13 X32 X4 ZN	GROWER 13X32 ZN			
34	G18701660R	RONDELLA 14,2 X33 X0,3	WASHER 33X 0-3X14-2	RONDELLE 33X 0-3X14-2	UNTERLEGSCHIEBE 14-2 X33 X0-3	ARANDELA 33X 0-3X14-2
35	G19004340R	DISTANZIALE CONCIM.PNEUMATICA	PNEUM.FERT. SPACER			
36	G67320001R	VENTOLA PLASTICA DISCO L80M8	PLASTIC FAN- DISK L80M8	ROTOR PLASTIQUE DISQUE L80M8	SCHEIBE PLASTIKRAD L80M8	VENTILADOR PL STICO DISCO L80M
37	G15473771R	SOFFIANTE CONC.PNEUM.RINF.	REINFORCED FERTILIZ.AIR BLOWER			
38	G13912101R	UGELLO CONCIMAZIONE PNEUMATICA	NOZZLE PNEUMATIC FERTILIZATION			
39	G13912131R	RACCORDO CONCIMAZ.PNEUMATICA	UNION PNEUMATIC FERTILIZATION	RACCORD FUMAGE PNEUMATIQUE	ANSCHLUSS PNEUMATISCHE DSNGUNG	UNIN DE ABONO NEUMAT.
40	G15275810R	ASS.CONVOGLIATORE 4 U.	CONVEYOR 4 OUT.ASSEMBLY			
41	F03100500R	TUBO EOLO 35 PU	TUBE EOLO 35 PU	TUBE EOLO 35 PU		TUBO EOLO
42	F05150060R	FASCETTA POLYA. 9X380 NERA	POLYAMIDE FASTENING STRAPS 9X3	COLLIER POLYAMIDE 9X350 31919	SHELLE POLYAMID 9X350 31919	ABRAZADERA POLIAMIDA 9X350 319
43	G15450410R	RONDELLA X GIUNTO ELASTICO	LOCK WASHER	RONDELLE DE BLOCAGE	SPERRSCHEIBE	ARANDELA DE BLOQUEO
44	F02300023R	FASCETTA STRING. 80 100 H.8	PIPE CLAMP 80 100 H.8	COLLIER DE SERRAGE 77 95	ROHRSCHELLE 80 100 H.8	ABRAZADERA P. MANGUERA 80 100
45	F02300020R	FASCETTA STRING. 32 50 H.9	HOSE CLAMP 32 50 H.9			
46	G15450420R	GIUNTO ELASTICO LAVORATO	LOCK COUPLING	JOINT DE BLOCAGE	SPERRKUPPLUNG	JUNTA DE BLOQUEO
47	G15450432R	FLANGIA	FLANGE			
48	F03100367R	TUBO VULCANO PU R 76	FLEXIBLE PVC PIPE R 76	TUBE FLEXIBLE PVC R 76	76 SCHLAUCH PVC	TUBO FLEXIBLE PVC R 76
49	G66248098R	TAPPO CONVOGLIATORE DEPR. SP	AIR PUMP CONVEYOR PLUG SP	BOUCHON CONVOYEUR TURBINE SP	VAKUUM FTRDERPFROPFEN SP	TAP N CONDUCTOR DEPR. SP
50	G15450401R	PUL.CONDOTTA CONCIM.PNEUM.	DRIVEN PULLEY PNEUM.SEEDER			



CONCIMAZIONE PNEUMATICA PNEUMATIC FERTILIZER

TAV. 320

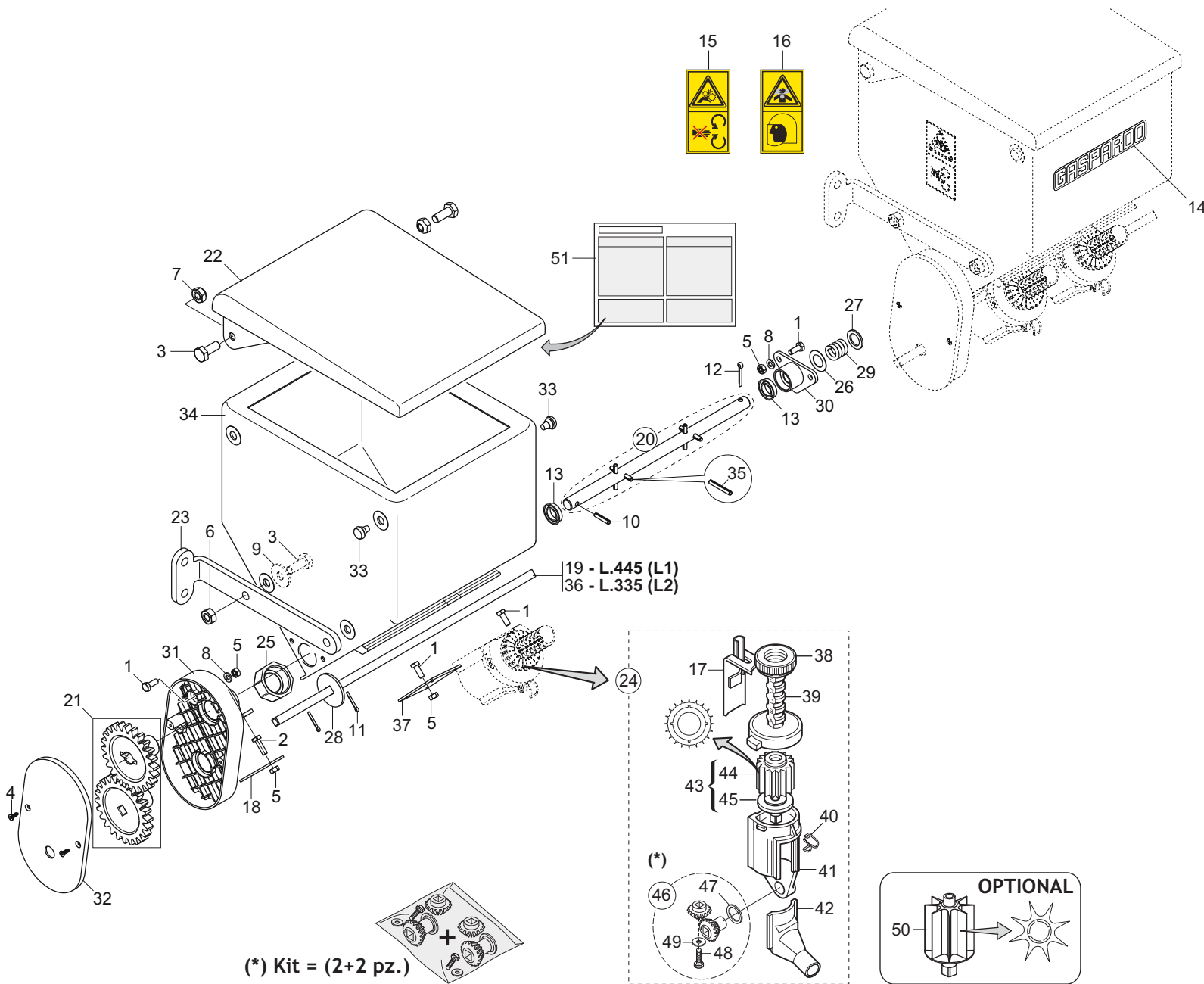
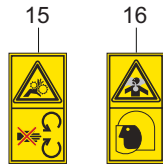
Pos.	Cod.	Descrizione	Description	Description	Benennung	Descripcion
1	F01020039R	VITE M6X1X35 U5737 8.8ZN	SCR. M6X1X35 U5737 8.8ZN	VIS 6 X35 5737 8.G ZN	SCHRAUBE 6 X35 5737 8.G ZN	TORNILLO 6 X35 5737 8.G ZN
2	F01020050R	VITE M6X1X80 U5737 8.8ZN	SCR. M6X1X80 U5737 8.8ZN	VIS 6 X80 5737 8.G ZN	SCHRAUBE 6 X80 5737 8.G ZN	TORNILLO 6 X80 5737 8.G ZN
3	F01020362R	VITE M4X0,7X12 U5739 8.8ZN	SCR. M4X0,7X12 U5739 8.8ZN	VIS 4X12 5739 8.G ZN	SCHRAUBE 4X12 5739 8.G ZN	TORNILLO 4X12 5739 8.G ZN
4	F01020398R	VITE M6X1X12 U5739 8.8ZN	SCR. M6X1X12 U5739 8.8ZN	VIS M6X 1X12 U5739 8.8 ZN	SCHRAUBE M6X 1X12 U5739 8.8 ZN	TORNILLO M6X 1X12 U5739 8.8 ZN
5	F01020403R	VITE M6X1X16 U5739 8.8ZN	SCR. M6X1X16 U5739 8.8ZN	VIS M6X1X16 U5739 8.8 ZN	SCHRAUBE M6X1X16 U5739 8.8 ZN	TORNILLO M6X1X16 U5739 8.8 ZN
6	F01020404R	VITE M6X1X20 U5739 8.8ZN	SCREW M6X1X20 U5739 8.8ZN	VIS M6X1X20 U5739 8.8ZN	SCHRAUBE M6X1X20 U5739 8.8ZN	TORNILLO M6X1X20 U5739 8.8ZN
7	F01030055R	VITE M8X1,25X20 U5933 10.9ZD	SCR. M8X1,25X20 U5933 10.9ZD	VIS M 8X20	SCHRAUBE M 8X20	TORNILLO M 8X20
8	F01080044R	VITE M5X0,8X14 U7688 4.8ZN	SCR. M5X0,8X14 U7688 4.8ZN	VIS 5 X14 7688 ZN	SCHRAUBE 5 X14 7688 ZN	TORNILLO 5 X14 7688 ZN
9	F01220011R	DADO M6X1 D980 8ZN	NUT M6X1 D980 8ZN	ECROU M6X1 D980 8 ZN	MUTTER M6X1 D980 8 ZN	TUERCA M6X1 D980 8 ZN
10	F01230016R	DADO M4X0,7 D982 8ZN	NUT M4X0,7 D982 8ZN	ECROU AUTOB.NOR.4 ZN	SELBSTSP. MUTTER NOR. 4 ZN	TUERCA AUTOB. NOR. 4 ZN
11	F01230048R	DADO M10X1,5 D982 8ZN	NUT M10X1,5 D982 8ZN	ECR.AUTO-FREIN.M10X1,5 D982 ZN	SICHERUNGSMUTT.M10X1,5 D982 ZN	TUERCA SEGURID.M10X1,5 D982 ZN
12	F01410037R	ROS.M6 6,4X12,5X1,6 U6592 ZN	WASHER M6 6,4X12,5X1,6 U6592ZN	RONDEL.M6 6,4X12,5X1,6 U6592ZN	SCHHEIB.M6 6,4X12,5X1,6 U6592ZN	ARAND.M6 6,4X12,5X1,6 U6592 ZN
13	F01410064R	ROS.M10 10,5X20X2 U6592 ZN	WASHER M10 10,5X20X2 U6592 ZN	RONDEL. M10 10,5X20X2 U6592 ZN	SCHHEIB M10 10,5X20X2 U6592 ZN	ARANDEL.M10 10,5X20X2 U6592 ZN
14	F01420036R	ROS.M6 6,4X 18X1,5 U6593 ZN	WASHER M6 6,4X 18X1,5 U6593 ZN	RONDELLE M6 6,4X18X1,5 U6593ZN	SCHHEIBEN M6 6,4X18X1,5U6593 ZN	ARANDELA M6 6,4X18X1,5U6593ZN
15	F01440012R	ROS. 20X28X 2 D988 IX	WASHER 20X28X2 DIN 988	RONDELLE 20X28X2 DIN 988	UNTERLEGSCHHEIBE 20X28X2 DIN 98	ARANDELA 20X28X2 DIN 988
16	F02050078R	ANELLO E. DE 20X 1,2 U7435 C7	SEEGER RING E. 20X1,2 7435 C70	SEEGER 20X 1,2 U7435 C70	SEEGER E. 20X 1,2 U7435 C70	ANILLO E. 47X 1,75 U7437 C70
17	F02050370R	ANELLO E. DI 47X1,75 U7437 C70	SEEGER RING 47X 1,75 U7437 C70	SEEGER E. 47X 1,75 U7437 C70	SEEGERING E. 47X1,75 U7437 C70	ANILLO E. 47X 1,75 U7437 C70
18	F02150036R	LINGUETTA 6X 6X 20 U6604A	PARALLEL KEY 6X 6X 20 U6604A	LANGUETTE 06X6X20 UNI6604	FEDERKEIL 06X6X20 UNI6604	LENGSETA 06X6X20 UNI6604
19	G15476360R	CONVOGLIATORE 12U CONC.PNEUM.	CONVEYOR 12OUTLETS PNEUM.FERT.			
20	F04010165R	CUSC.D20 D47 B14 6204,2RSC3	BEARING D20 D47 B14 6204,2RSC3	PALIER 6204 2RS	LAGER 6204 2RS	COJINETE 6204 2RS
21	F06220034R	VOLANTINO M5 X 25 VPA 25	HANDWHEEL M5 X 25 VPA 25	VOLANT M5 X 25 VPA 25	HANDRAD M5 X 25 VPA 25	VOLANTE M5 X 25 VPA 25
22	G23440562R	DISTANZ.GUSCI SOFFIANTE HL ID	BLOWER SHELL SPACER HL ID	ENTRETROISE COQUES SOUFFLANTE H	DISTRANZSTSCK SCHALEN GELBZSE H	DISTANC. CASCARAS SOPLAD. HL I
23	G23440563R	GRIGLIA DI PROTEZIONE HL ID	PROTECT. GRID HL ID	GRILLE DE PROTECTION HL ID	SCHUTZGITTER HL ID	REJILLA DE PROTECCI N HL ID
24	G23440564R	COPERCHIO CHIUSURA SOFF. HL ID	BLOWER CLOSING COVER . HL ID	COUVERCLE FERMETURE SOUFFL. HL	ABSCHLUSSDECKEL GEBL. HL ID	TAPA CIERRE SOPL. HL ID
25	G13912460R	COPRIVENTOLA LATO SCHIENALE	BACK FAN PROTECTION	PROTECTION ROTOR DOSSIER	RUECKENLAUFRADSCHUTZ	PROTECCI N VENTILADOR RESPALDO
26	G13912470R	COPRIVENTOLA LATO MOTORE	MOTOR FAN PROTECTION	PROTECTION ROTOR MOTEUR	MOTORLAUFRADSCHUTZ	PROTECCI N VENTILADOR MOTOR
27	G15450402R	PUL.CONDOTTA CONCIM.PNEUM.	DRIVEN PULLEY PNEUM.SEEDEER			
28	G15355500R	RONDELLA AUTOCENTRANTE ZN	SELF-CENTERING WASHER ZN	RONDELLE AUTOCENTREE ZN	SELBSTZENTR.UNTERLEGSCH. ZN	ARANDELA AUTOCENTRADORA ZN
29	G15476340R	GIUNTO ELAS.LAVOR.D.18-22 L66	ELASTIC COUPLING D.18-22 L66			
30	G15450433R	FLANGIA	FLANGE			
31	G15470411R	RINF.ANTERIORE	FRONT REINFORCEMENT			
32	G15470421R	RINF.POSTERIORE	REAR REINFORCEMENT			
33	G18700350R	RONDELLA 13 X32 X4 ZN	GROWER 13X32 ZN			
34	G18701660R	RONDELLA 14,2 X33 X0,3	WASHER 33X 0-3X14-2	RONDELLE 33X 0-3X14-2	UNTERLEGSCHHEIBE 14-2 X33 X0-3	ARANDELA 33X 0-3X14-2
35	G19004340R	DISTANZIALE CONCIM.PNEUMATICA	PNEUM.FERT. SPACER			
36	G67320001R	VENTOLA PLASTICA DISCO L80M8	PLASTIC FAN- DISK L80M8	ROTOR PLASTIQUE DISQUE L80M8	SCHHEIBE PLASTIKRAD L80M8	VENTILADOR PL STICO DISCO L80M
37	G15473771R	SOFFIANTE CONC.PNEUM.RINF.	REINFORCED FERTILIZ.AIR BLOWER			
38	G13912101R	UGELLO CONCIMAZIONE PNEUMATICA	NOZZLE PNEUMATIC FERTILIZATION			
39	G13912131R	RACCORDO CONCIMAZ.PNEUMATICA	UNION PNEUMATIC FERTILIZATION	RACCORD FUMAGE PNEUMATIQUE	ANSCHLUSS PNEUMATISCHE DSNGUNG	UNIN DE ABONO NEUMAT.
40	G15471471R	SUPPORTO CONVOGLIATORE	CONVEYOR SUPPORT	SUPPORT CONVOYEUR	HALTERUNG FTRDERER	SOPORTE TRANSPORTADOR
41	F03100500R	TUBO EOLO 35 PU	TUBE EOLO 35 PU	TUBE EOLO 35 PU	TUBE EOLO 35 PU	TUBO EOLO
42	F05150060R	FASCETTA POLYA. 9X380 NERA	POLYAMIDE FASTENING STRAPS 9X3	COLLIER POLYAMIDE 9X350 31919	SCHELLE POLYAMID 9X350 31919	ABRAZADERA POLIAMIDA 9X350 319
43	F01020472R	VITE M10X1,5X25 U5739 8.8ZN	SCR. M10X1,5X25 U5739 8.8ZN	VIS M10X1,5X25 U5739 8.8 ZN	SCHRAUBE M10X1,5X25 U5739 8.8	TORNILLO 10X25 U5739 8.8 ZN
44	F02300023R	FASCETTA STRING. 80 100 H.8	PIPE CLAMP 80 100 H.8	COLLIER DE SERRAGE 77 95	ROHRSCHELLE 80 100 H.8	ABRAZADERA P. MANGUERA 80 100
45	F02300020R	FASCETTA STRING. 32 50 H.9	HOSE CLAMP 32 50 H.9			
46	F03150664R	TAPPO MASCHIO 1 8 ESAGONO	1 8 MALE HEXAGON. PLUG	BOUCHON MALE 1 8 HEXAGONAL	GEWINDEPFROPFEN 1 8 SECHSKANT	TAP N MACHO 1 8 HEX GONO
47	F01200244R	DADO M8X1,25 U5588 CL8 ZN	NUT M8X1,25 U5588 6.8ZN	ECROU M8 X1,25 U5588 6.8 ZN	MUTTER M8 X1,25 U5588 6.8 ZN	TUERCA M8 X1,25 U5588 6.8 ZN
48	F03100367R	TUBO VULCANO PU R 76	FLEXIBLE PVC PIPE R 76	TUBE FLEXIBLE PVC R 76	76 SCHLAUCH PVC	TUBO FLEXIBLE PVC R 76
49	F01200270R	DADO M10X1,5 U5588 CL8 ZN	NUT M10X1,5 U5588 6.8ZN	ECROU M10X 1,5 U5588 6.8 ZN	MUTTER M10X 1,5 U5588 6.8 ZN	TUERCA M10X 1,5 U5588 6.8 ZN
50	G13912512R	VASO ESPANSORE D.35-50	D.35-50 EXPANSION TANK	VASE EXPANSION D.35-50	EXPANSIONSGEFZSS D.35-50	DEPOSITO DE EXPANSIN D.35-50
51	G16670670R	DISTANZIALE D.48,1X1,5 L=25	SPACER D.48,1X1,5 L=25			
52	G23440551R	FLANGIA CONVOGLIATORE HL ID	CONVEYOR FLANGE HL ID	BRIDE CONVOYEUR HL ID	FLANSCH FTRDERER HL ID	BRIDA CONDUCTOR HL ID
53	G23440553R	CONVOGLIATORE D.35 HL ID	CONVEYOR- D.35 HL ID	CONVOYEUR D. 35 HL ID	FTRDERER D.35 HL ID	CONDUCTOR D.35 HL ID
54	F01020047R	VITE M6X1X70 U5737 8.8ZN	SCR. M6X1X70 U5737 8.8ZN	VIS 6 X70 5737 8.G ZN	SCHRAUBE 6 X70 5737 8.G ZN	TORNILLO 6 X70 5737 8.G ZN
55	F01430047R	ROS.M6 6,4X 11X0,7 U8842J ZN	WASHER D6 DIN 6798 D.INT.GALV.	RONDELLE D6 DIN 6798 D. INT. Z	UNT. SCHEIBE D6 DIN 6798 D. IN	ARANDELA D6 DIN 6798 D.INT.ZN
56	G66248098R	TAPPO CONVOGLIATORE DEPR. SP	AIR PUMP CONVEYOR PLUG SP	BOUCHON CONVOYEUR TURBINE SP	VAKUUM FTRDERPFROPFEN SP	TAP N CONDUCTOR DEPR. SP
57	G15450401R	PUL.CONDOTTA CONCIM.PNEUM.	DRIVEN PULLEY PNEUM.SEEDEER			
58	G15450432R	FLANGIA	FLANGE			
59	G15450420R	GIUNTO ELASTICO LAVORATO	LOCK COUPLING	JOINT DE BLOCAGE	SPERRKUPPLUNG	JUNTA DE BLOQUEO
60	G15450410R	RONDELLA X GIUNTO ELASTICO	LOCK WASHER	RONDELLE DE BLOCAGE	SPERRSCHEIBE	ARANDELA DE BLOQUEO
61	G15273150R	RACCORDO FINALE	ENDING CONNECTION PIPE	RACCORD FINAL	ENDANSCHLUSS	UNION FINAL
62	G17772000R	ASS.TUBO MICROGRANULATORE	ASSY MICROGR. TUBE			
63	F01020445R	VITE M8X1,25X30 U5739 8.8ZN	SCR. M8X1,25X30 U5739 8.8ZN	VIS M 8X1,25X30 U5739 8.8 ZN	SCHRAU, M8X1,25X30 U5739 8.8ZN	TORN. M8X1,25X30 U5739 8.8 ZN
64	G13912350R	FASCETTA VASO ESPANSIONE	EXPANSION CHAMBER CLAMP	COLLIER VASE EXPANSION	SCHELLE EXPANSIONSGEFZSS	ABRAZADERA DEP SITO DE EXPANSI
65	G18902650R	MOLLA SUPP.VASO ESPANSIONE	EXPANSION TANK SUPPORT SPRING	RESSORT SUPP. VAS EXPANSION	OB. FEDER EXPANSIONSGEFZSS	MUELLE SOP. DEP SITO DE EXPANSI
66	F01420048R	ROS.M8 8,4X 24X 2 U6593 ZN	WASHER M8 8,4X 24X2 U6593 ZN	RONDELLE M8 8,4X24X 2 U6593 ZN	SCHHEIBEN M8 8,4X24X 2 U6593 ZN	ARANDELA M8 8,4X 24X2 U6593 ZN



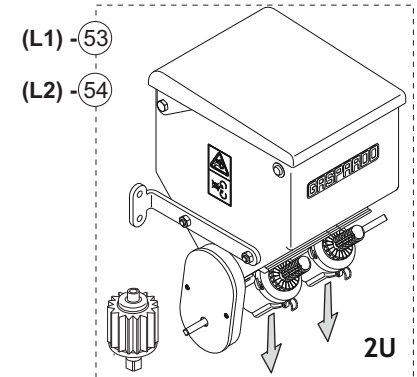
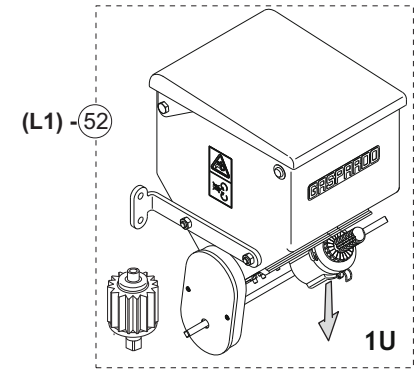
SUPPORTI MICROGRANULATORE SUPPORTS FOR MICROGRANULATOR

TAV. 330

Pos.	Cod.	Descrizione	Description	Description	Benennung	Description
1	G15272901R	SUPPORTO BARRA MICRO MT	MT MICRO BAR SUPPORT	SUPPORT BARRE MICROGRAN. MT	STANGENHALTERUNG MICRO MT	SOPORTE BARRA MICRO MT
2	F20110706R	CAV.Q.B=35 M=10X1,5 L=60	U BOLT Q.B=35 M=10X1,5 L=60	CAVALIER SUPPORT DISQUE SV	VERBINDUNG SCHEIBENHALTERUNG S	PERNO EN U SOP. DISCO SV
3	G18701140R	RONDELLA 11 X35 X5	WASHER 11 X 35 X 5	RONDELLE 11 X35 X5	UNTERLEGSSCHEIBE 11 X35 X5	ARANDELA 11 X35 X5
4	F01200270R	DADO M10X1,5 U5588 CL8 ZN	NUT M10X1,5 U5588 6.8ZN	ECROU M10X 1,5 U5588 6.8 ZN	MUTTER M10X 1,5 U5588 6.8 ZN	TUERCA M10X 1,5 U5588 6.8 ZN
5	G15110091R	SCONTRO A U	CONTRA U	BRIDE 150 MM	ANSCHLAG	ELEMENTO DE EMPALME
6	F01200306R	DADO M14X2 U5588 CL8 ZN	NUT M14X2 U5588 6.8ZN	ECROU M14X2	MUTTER M14X2	DADO M14X2
7	F02200162R	COPIGLIA 3X 20 U1336 ZN	SPLIT PIN 3 X20 1336 GALVAN.	GOUPILLE 3 X20 1336 ZN	SPLINT 3 X20 1336 ZN	PASADOR 3 X20 1336 ZN
8	F01020236R	VITE M14X2X220 U5737 8.8BR	SCR. M14X2X220 U5737 8.8BR	VIS M14X2X220 U5737 8.8 BR	SCHRAUBE M14X2X220 U5737 8.8	TORNILLO M14X2X220 U5737 8.8
9	F20120346R	PUNTALE Q 35 ALETT.POLIT.NERO	SQ.TIP 35 BLACK			
10	G15472990R	TUBO Q. 35X 4X 600	SQUARE PIPE 35 X4 X600	TUBE CARRE 35 X4 X600	VIERKANTROHR 35 X4 X600	TUBO CUADRADO 35 X4 X600
11	G15475390R	TUBO SUPPORTO MICRO L.3100	MICRO SUPPORT PIPE L.3100	TUBE SUPPORT MICRO L3100	ROHR HALTERUNG MIKRO L.3100	TUBO SOPORTE MICRO L.3100
12	G15272421R	SUPPORTO TUBO MICRO SX	LEFT MICRO PIPE SUPPORT	SUPPORT TUBE MICRO GCH.	HALTERUNG MIKROROHR LI	SOPORTE TUBO MICRO IZQ.
13	G15272411R	SUPPORTO TUBO MICRO DX	RIGHT MICRO PIPE SUPPORT	SUPPORT TUBE MICRO DRT.	HALTERUNG MIKROROHR RE	SOPORTE TUBO MICRO DER.
14	G15475300R	TUBO SUPPORTO MICRO L.1170	MICRO SUPPORT PIPE L.1170	TUBE SUPPORT MICRO L1170	ROHR HALTERUNG MIKRO L.1170	TUBO SOPORTE MICRO L1170
15	G15273161R	TIRANTE BARRA MICRO MT T.150	TIE ROD BAR MICRO MT T.150			
16	F20110770R	CAV.Q.B=80 M=14X2 L=119	U BOLT Q.B=80 M=14X2 L=119	BRIDE U M14X2X50 96X119 ZN	ANSCHLANG U M14X2X50 96X119 ZN	EL.DE EMPALME M14X2X50 96X119
17	G20970142R	RONDELLA 32X4X15,5	WASHER 32X4X15-5	RONDELLE 32X4X15-5	UNTERLEGSSCHEIBE 32X4X15-5	ARANDELA 32X4X15-5
18	G20890205R	MANICOTTO UNIONE MICRO L.250	MICRO JOINT SLEEVE L.250	MANCHON RACCORD MICRO L. 250	VERBINDUNGSMUFFE MIKRO L.250	MANGUITO DE UNI N MICRO L.250
19	G22505097R	MAICOTTO MICRO MT.0,63	MICRO SLEEVE MT.0-63	MANCHON MICRO M. 0-63	MUFFE MIKRO M 0-63	MANGUITO MICRO MT.0-63
20	G11430940R	MANICOTTO MICRO L.830	MICRO SLEEVE L.830	MANCHON MICRO L.830	MUFFE MIKRO L.830	MANGUITO MICRO L.830
21	G20890191R	MANICOTTO DX 6F.MAIS L.1012	CORN 6R. RIGHT SLEEVE L.1012	MANCHON DRT. 6 RANGEES MAIS L.	MUFFE RE 6R.MAIS L.1012	MANGUITO DER. 6 FILAS. MA Z L.
22	G22500150R	ASSE CAVO DA 20 MICRO MT.0,48	SPINDLE - MICRO 20 CABLE MT.0.	AXE CABLE DE 20 MICRO M. 0-48	KABELACHSE 20 MIKRO M 0-48	EJE CABLE DE 20 MICRO MT.0-48
23	G17175060R	ASS.ASSE ESTERNO L.575	AXLE EXTERNAL L.575	AXE EXT L.575	ACHSE AUSSEN L.575	EJE EXTERIOR L.575
24	G14270420R	MANICOTTO MICRO LATER.L.635	MICRO SLEEVE L.635	MANCHON MICRO L.635	MUFFE MIKRO L.635	MANGUITO MICRO L.635
25	G17175070R	MANICOTTO MICRO L.690	SIDE SLEEVE MICRO L.690			
26	G15272921R	SUPP.BARRA MICRO SENZA SPANDI	MICRO BAR SUPPORT NO SPREADER	SUPP. BARRE MICRO SANS FERTILI	SPINDELHALTERUNG MIKRO OHNE ST	SOPORTE BARRA MICRO SIN ABONAD
27	G11425091R	TUBO DISCESA MICRO MT-MTE COMPL	PIPE MICRO DESCENT MT-MTE	TUBE DESCENTE MICRO COMPL MT-M	SENKROHR MIKRO KOMPL. MT-MTE	TUBO DESCENSO MICRO COMPL. MT-
28	F01020436R	VITE M8X1,25X20 U5739 8.8ZN	SCR. M8X1,25X20 U5739 8.8ZN	VIS M8X1,25X 20 U5739 8.8 ZN	SCHRAUBE M8X1,25X20U5739 8.8ZN	TORN. M8X1,25X20 U5739 8.8 ZN
29	G17772000R	ASS.TUBO MICROGRANULATORE	ASSY MICROGR. TUBE			
30	F01020404R	VITE M6X1X20 U5739 8.8ZN	SCREW M6X1X20 U5739 8.8ZN	VIS M6X1X20 U5739 8.8ZN	SCHRAUBE M6X1X20 U5739 8.8ZN	TORNILLO M6X1X20 U5739 8.8ZN
31	G18904880R	MOLLA GUIDA TUBO DISC.MICRO ZN	PIPE-MICR.DESCENT GUIDE SPRING			
32	F01420036R	ROS.M6 6,4X 18X1,5 U6593 ZN	WASHER M6 6,4X 18X1,5 U6593 ZN	RONDELLE M6 6,4X18X1,5 U6593ZN	SCHEIBEN M6 6,4X18X1,5U6593 ZN	ARANDELA M6 6,4X18X1,5U6593ZN
33	F01200232R	DADO M6X1 U5588 CL8 ZN	NUT M6X1 U5588 6.8ZN	ECROU 6 UNI 5588 6.8 ZN	MUTTER 6 UNI 5588 6.8 ZN	TUERCA 6 UNI 5588 6.8 ZN
34	F02300017R	FASCETTA STRING. 20 32 H.9	CLAMP 20 32 H.9	GAINE 20 32 H.9	KLEMME 20 32 H.9	ABRAZADERA 20 32 H.9
35	G65336041R	MOLLA SPEC.ZN STRINGITUBO M80	SPEC.SPRING ZN . PIPE CLAMP M8	RESSORT SPEC. ZN SERRE-TUBE M8	SPEZIALFEDER ZN ROHRSCHELLE M8	MUELLE ESPEC. ZN APLASTA TUBOS
36	G17178090R	TUBO DISC.MICRO 15-30-87 COMPL	PIPE-MICROGR.DESCENT 15-30-87			
37	G17178100R	TUBO DISC.MICRO 15-30-73 COMPL	PIPE-MICROGR.DESCENT 15-30-73			
38	G17178120R	TUBO DISC.MICRO 25-55-28 COMPL	PIPE-MICROGR.DESCENT 25-55-28			
39	G18970020R	ELASTICO CON GANCI L.319	BUNGEE WITH HOOKS L.319			
40	G18970030R	ELASTICO CON GANCI L.569	BUNGEE WITH HOOKS L.569			
41	G16675190R	TUBO DISCESA MICRO L.480 COMPL	TELESC. TUBE MICRO L.480			



(*) Kit = (2+2 pz.)

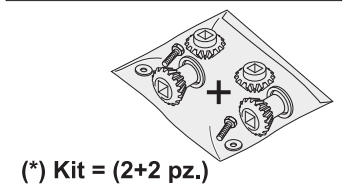
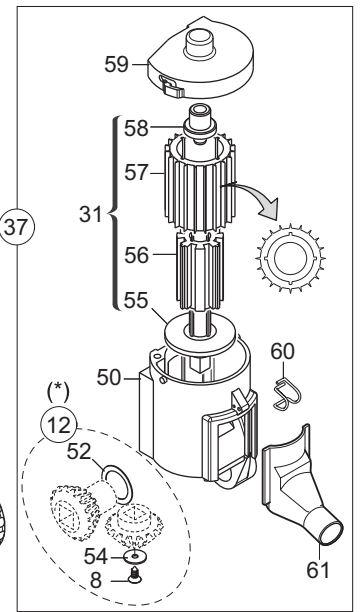
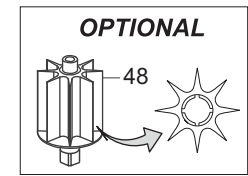
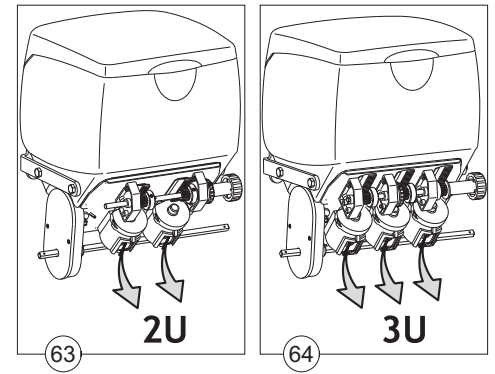
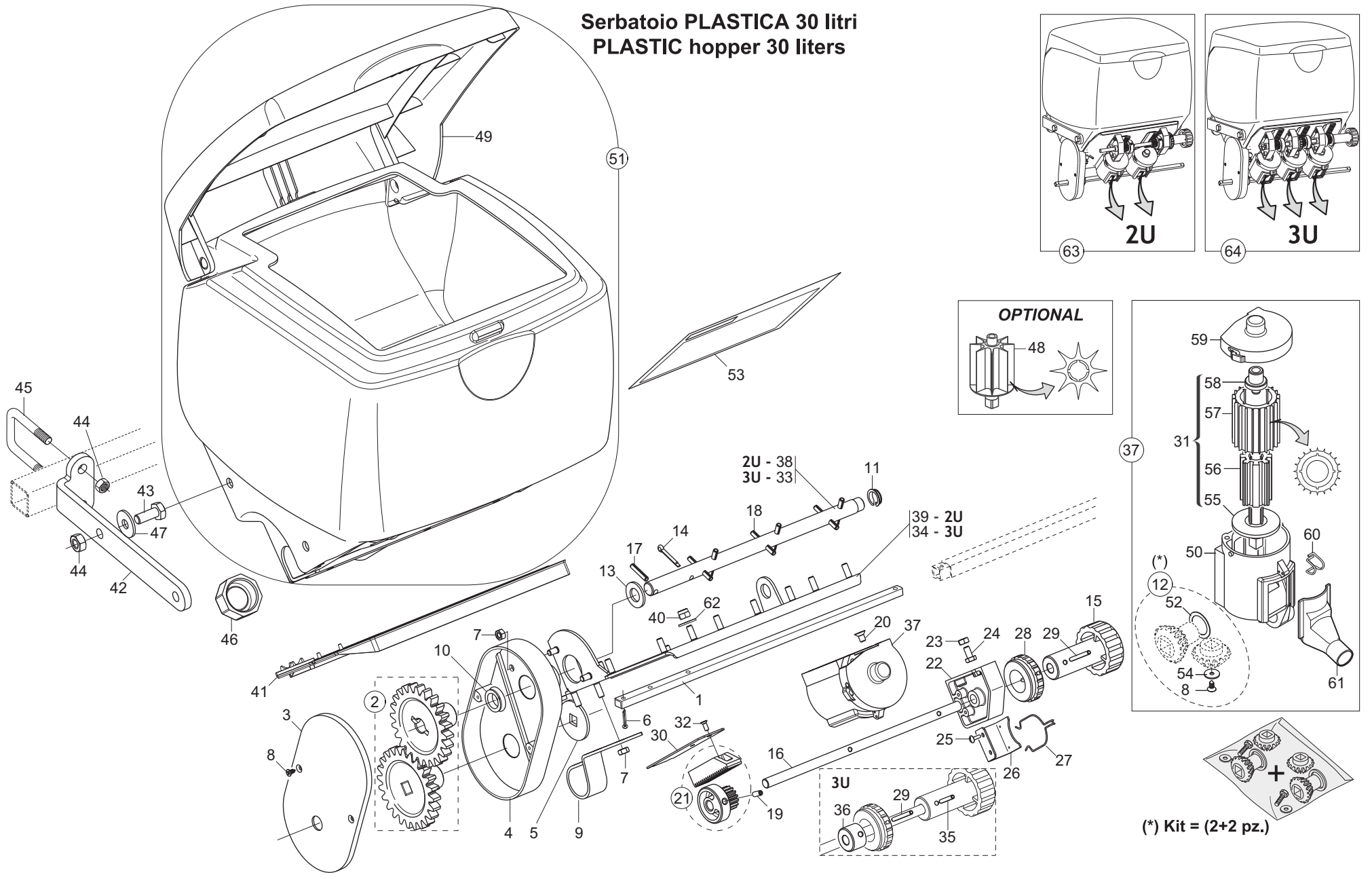


**MICROGRANULATORE (16 LITRI)
MICROGRANULATOR (16 LITERS)**

TAV. 340

Pos.	Cod.	Descrizione	Description	Description	Benennung	Descripcion
1	F01020403R	VITE M6X1X16 U5739 8.8ZN	SCR. M6X1X16 U5739 8.8ZN	VIS M6X1X16 U5739 8.8 ZN	SCHRAUBE M6X1X16 U5739 8.8 ZN	TORNILLO M6X1X16 U5739 8.8 ZN
2	F01020404R	VITE M6X1X20 U5739 8.8ZN	SCREW M6X1X20 U5739 8.8ZN	VIS M6X1X20 U5739 8.8ZN	SCHRAUBE M6X1X20 U5739 8.8ZN	TORNILLO M6X1X20 U5739 8.8ZN
3	F01020472R	VITE M10X1,5X25 U5739 8.8ZN	SCR. M10X1,5X25 U5739 8.8ZN	VIS M10X1,5X25 U5739 8.8 ZN	SCHRAUBE M10X1,5X25 U5739 8.8	TORNILLO 10X25 U5739 8.8 ZN
4	F01070122R	VITE A3,9X1,34X13 U6955 4.8NI	SCR. H3,9X1,34X13 U6955 4.8NI	VIS M3,9X1,34X13 U6955 4.8NI	SCHRA.M3,9X1,34X13 U6955 4.8NI	TORN.M3,9X1,34X13 U6955 4.8NI
5	F01200232R	DADO M6X1 U5588 CL8 ZN	NUT M6X1 U5588 6.8ZN	ECROU 6 UNI 5588 6.8 ZN	MUTTER 6 UNI 5588 6.8 ZN	TUERCA 6 UNI 5588 6.8 ZN
6	F01200270R	DADO M10X1,5 U5588 CL8 ZN	NUT M10X1,5 U5588 6.8ZN	ECROU M10X 1,5 U5588 6.8 ZN	MUTTER M10X 1,5 U5588 6.8 ZN	TUERCA M10X 1,5 U5588 6.8 ZN
7	F01220033R	DADO M10X1,5 D980 8ZN	NUT M10X1,5 D980 8ZN	ECROU M10X1,5 D980 8ZN	MUTTER M10X1,5 D980 8ZN	TUERCA M10X1,5 D980 8ZN
8	F01410037R	ROS.M6 6,4X12,5X1,6 U6592 ZN	WASHER M6 6,4X12,5X1,6 U6592ZN	RONDEL.M6 6,4X12,5X1,6 U6592ZN	SCHEIB.M6 6,4X12,5X1,6 U6592ZN	ARAND.M6 6,4X12,5X1,6 U6592 ZN
9	F01420060R	ROS.M10 10,5X 30X2,5 U6593 ZG	GALV.WASHER 10,5X30X2,5 U6593	RONDELLE 10,5X30	SCHEIBE 10,5X30	ARANDELA 10,5X30
10	F02100083R	SPINA E.P. 5X 24 U6873 C70 BR	PIN EL. 5 X24 DIN 1481	FICHE EL. 5 X24 DIN 1481	SPANNSTIFT 5 X24 DIN 1481	CLAVIJA EL.5 X24 DIN 1481
11	F02200162R	COPIGLIA 3X 20 U1336 ZN	SPLIT PIN 3 X20 1336 GALVAN.	GOUPILLE 3 X20 1336 ZN	SPLINT 3 X20 1336 ZN	PASADOR 3 X20 1336 ZN
12	F02200194R	COPIGLIA 4X 25 U1336 ZN	SPLIT PIN 4 X25 1336 GALVAN.	GOUPILLE 4 X25 1336 ZN	SPLINT 4 X25 1336 ZN	PASADOR 4 X25 1336 ZN
13	F03011081R	GUARNIZIONI LABBRO DE100	LIP GASKET D100			
14	F20010211R	ETICH.IDENT.GASPARDO 160X 30	LABEL GASPARDO 160X 30			
15	F20030042R	ETICH.ORGANI IN MOVIMENTO	DECAL.MOVING UNITS			
16	F20030043R	ETICH.PERICOLO AVVELENAMENTO	LABEL POISONING DANGER			
17	G20890089R	REGOLATORE DI APERTURA	OPENING REGULATOR	REGULATEUR D OUVERTURE	TFFNUNGSEINSTELLER	REGULADOR DE ABERTURA
18	G20890078R	PIASTRA DI COLLEGAMENTO	CONNECTION PLATE	PLAQUE DE RACCORD	VERBINDUNGSPLATTE	PLACA DE CONEXI N
19	G20890081R	ASSE DISTRIB.MICRO L.445	MICRO DISTR. SPINDLE- L. 445	AXE DISTRIBUTEUR MICRO L. 445	MIKRO STREUERACHSE L 445	EJE DISTRIB.MICRO L.445
20	G20890194R	ASSE AGITATORE SERB.MICRO 250	STIRRER SPINDLE- MICRO TANK 25	AXE AGITATEUR RESERVOIR MICRO	SAMENMISCHERACHSE BEH.MIKRO 25	EJE AGITADOR DEP S. MICRO 250
21	G11475210R	KIT RUOTE DENTATE Z24	KIT GEAR WHEELS Z24			
22	G15475231R	COPERCHIO MICRO 250 PLA.	PLASTIC COVER MICRO 250	COUVERCLE MICRO 250 PLASTIQUE	MIKRO DECKEL 250 PLAST.	TAPA MICRO 250 PLAST.
23	G15475271R	SUPPORTO MICRO	MICRO SUPPORT	SUPPORT MICROGRANULATEUR	HALTERUNG MICRO	SOPORTE MICRO
24	G20890135R	DISTRIB.NYLON COMPL.E SCIVOLO	DISTRIB. NYLON ASSY. AND CHUTE	MINIMAX COMPL 20C MICRO	SZAPPARAT NYLON KOMPL. UND RUT	DISTRIB.NYLON COMPL.Y PLANO IN
25	G16675090R	TAPPO PLASTICA MICRO C OR	PLASTIC PLUG MICRO C OR			
26	G22220073R	RONDELLA 28X0,3X16,5	WASHER 28X0-3X16-5	RONDELLE 28X0-3X16-5	UNTERLEGSSCHEIBE 28X0-3X16-5	ARANDELA 28X0-3X16-5
27	G20970025R	RONDELLA 25,2X2X16,5	WASHER 25-2X2X16-5	RONDELLE 25-2X2X16-5	UNTERLEGSSCHEIBE 25-2X2X16-5	ARANDELA 25-2X2X16-5
28	G18705310R	RONDELLA 10,2 X44 X3 QU.ZN	WASHER 10,2X44X3 SQ.HOLE GALV.			
29	G65338043R	MOLLA COMP.ZN SERB. M80	ZN TANK COMP.SPRING M80	RESSORT COMPL. ZN RESERVOIR M8	DRUCKFEDER ZN BEHZLTER M80	MUELLE COMP.ZN DEP S. M80
30	G66248121R	BOCCOLA CON FLANGIA M80	BUSHING W FLANGE M80	SUPPORT AVEC BRIDE M80	BSCHSE MIT FLANSCH M80	CASQUILLO CON BRIDA M80
31	G19001262R	SUPPORTO TRASMISSIONE RINF.	REINFORCED TRANSMISS.SUPPORT			
32	G66248138R	COPERCHIO SUPP.TRASM. M80	TRANSMISSION SUPP. COVER M80	COUVERCLE SUPPORT ENTRAINEM.	DECKEL ANTRIEBSHALTERUNGS M80	TAPA SOP. TRANSM. M80
33	G66248223R	TAPPO SUPP.SPAND.D.11	PLUG MAN. SPR. SUPP. D.11	BOUCHON SUPPORT EP. ENGRAIS D.	HALTERUNGSPFFROPFEN DSNGERSTR.	TAP N SOPORTE ABON.D.11
34	G19002932R	SERBATOIO MICRO 250 PLA.	PLASTIC TANK MICRO 250	RESERVOIR MICRO 250 PLASTIQUE	MIKROGRANULATBEHZLTER PLAST.	DEPSITO MICRO 250 PLAST.
35	F02100314R	SPINA EL.5 X36 DIN 1481 INOX	PIN EL.5 X36 DIN 1481 INOX			
36	G17175050R	ASSE MICRO L.335	AXLE MICRO L.335			
37	G20890079R	PIASTRA DI CHIUSURA	CLOSURE PLATE	PLAQUE DE FERMETURE	ABSCHLUSSPLATTE	PLACA DE CIERRE
38	G66248125R	GHIERA REGOLAZIONE M80	ADJUSTMENT KNURLED NUT M80	BAGUE REGLAGE M80	EINSTELLMUTTER M80	CONTRATUERCA REGULACI N M80
39	G20890151R	VITE-SCALA GRADUATA	GRADUATED SCALE BOLT	VIS-ECHELLE GRADUEE	SCHRAUBE - GRADSKALA	TORNILLO - ESCALA GRADUADA
40	G65336046R	MOLLA SPEC.ZN SCIVOLO M80	SPEC SPRING ZN CHUTE M80	RESSORT SPEC. ZN LANCOIR M80	SPEZIALFEDER ZN RUTSCHE M80	MUELLE ESPEC. ZN PLANO INCLINA
41	G66248123R	CORPO DISTRIBUZIONE M80	DISTRIBUTION CASING M80	CORPS DISTRIBUTION M80	VERTEILUNGSKTRPER	CUERPO DISTRIBUCI N M80
42	G66248154R	SCIVOLO DISTR. M80	CHUTE- DISTRIB. M80	ENTONNOIR DOSEUR MINIMAX MICRO	SAAPPARAT RUTSCHE M80	PLANO INCLINADO DISTR. M80
43	G20890158R	DOSATORE MICRO COMPL.	ROTOR DIST. MICRO 20 GROOVES	ROTOR DOSEUR 20C MICRO COMPL.	DOSIERER MIKRO KOMPL. 20 SEKT	DOSIFICADOR MICRO COMPL.20 SEC
44	G66248189R	DOSATORE M80	SEED METERING DEVICE M80	DOSEUR M80	DOSIERER M80	DOSIFICADOR M80
45	G19001802R	RONDELLA-ALBERO MICRO	WASHER-SHAFT MICRO			
46	G20890211R	KIT INGRANAGGI DISTRIB.MICRO	DISTRIBUTION GEAR KIT MICRO	KIT ENGRENAGE DE DISTRIBUTION		KIT ENGRANAJES DISTRIB.MICRO
47	G20970100R	RONDELLA 30X0,5X22 ACC.	WASHER 30X0-5X22 ACC.	RONDELLE 30X0-5X22 ACIER	UNTERLEGSSCHEIBE 30X0-5X22 ACC.	ARANDELA 30X0-5X22 ACC.
48	F01070061R	VITE A3,9X1,34X9,5 U6954 4.8NI	SCR. H3,9X1,34X9,5 U6954 4.8NI	VIS 3,9X 9,5 DIN 7981	SCHRAUBE 3,9X 9,5 DIN 7981	TORNILLO 3,9X 9,5 DIN 7981
49	F01420011R	ROS.M4 4,3X 16X 1 U6593 ZN	FLAT WASHER 4-3X 16X1-5 6593 G	ROND.PLATE 4-3X 16X1-5 6593 ZN	SCHEIBE 4-3X 16X1-5 6593 ZN	ARAND. PLANA 4-3X 16X1-5 6593
50	G22250240R	DOSATORE COMPL. SV	DISTRIBUTOR MICRO COMPL.	ROTOR DOSEUR 8C MICRO SV		DOSIFICADOR COMPL. SV
51	G19700832R	DECAL.TABELLA MICRO SP540	LABEL TAB.MICRO SP540			
52	G15476280R	SERBATOIO MICRO PLA 1U COMPL	MICRO TANK 16L 1OUTL.PLA	RESERVOIR MICRO PLA 1U COMPL.	BEH-LTER MIKROGRANULAT PLASTIK	DEPOSITO MICRO PLA 1U COMPL.
53	G15476270R	SERBATOIO MICRO 250 2 U.PLA	MICRO TANK 16L 2OUTL.PLA			
54	G17170400R	SERBATOIO MICRO 250 2U PLA	RESERVOIR MICRO 250 2U COMPL.			

Serbatoio PLASTICA 30 litri
 PLASTIC hopper 30 liters

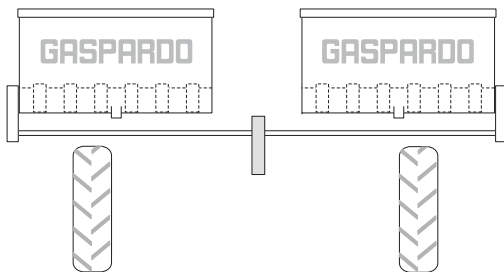


**MICROGRANULATORE (30 LITRI)
MICROGRANULATOR (30 LITERS)**

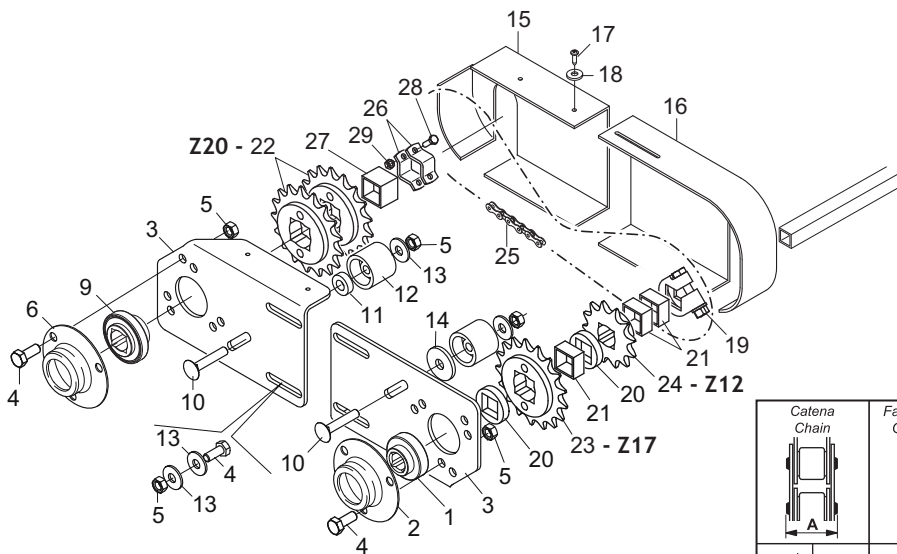
TAV. 350

Pos.	Cod.	Descrizione	Description	Description	Benennung	Descripcion
1	G17631310R	ASSE TRASM.DISTR.	DISTR. TRANSMISSION AXLE			
2	G11475210R	KIT RUOTE DENTATE Z24	KIT GEAR WHEELS Z24			
3	G66248138R	COPERCHIO SUPP.TRASM. M80	TRANSMISSION SUPP. COVER M80	COUVERCLE SUPPORT ENTRAINEM.	DECKEL ANTRIEBSHALTERUNGS M80	TAPA SOP. TRANSM. M80
4	G19001262R	SUPPORTO TRASMISSIONE RINF.	REINFORCED TRANSMISS.SUPPORT			
5	G18705310R	RONDELLA 10,2 X44 X3 QU.ZN	WASHER 10,2X44X3 SQ.HOLE GALV.			
6	F02200162R	COPIGLIA 3X 20 U1336 ZN	SPLIT PIN 3 X20 1336 GALVAN.	GOUPILLE 3 X20 1336 ZN	SPLINT 3 X20 1336 ZN	PASADOR 3 X20 1336 ZN
7	F01200232R	DADO M6X1 U5588 CL8 ZN	NUT M6X1 U5588 6.8ZN	ECROU 6 UNI 5588 6.8 ZN	MUTTER 6 UNI 5588 6.8 ZN	TUERCA 6 UNI 5588 6.8 ZN
8	F01070122R	VITE A3,9X1,34X13 U6955 4.8NI	SCR. H3,9X1,34X13 U6955 4.8NI	VIS M3,9X1,34X13 U6955 4.8NI	SCHRA.M3,9X1,34X13 U6955 4.8NI	TORN.M3,9X1,34X13 U6955 4.8NI
9	G11435240R	SUPPORTO ASSE CARTER	CARTER AXLE SUPPORT			
10	F03011081R	GUARNIZIONI LABBRO DE100	LIP GASKET D100			
11	F04150042R	BOCCOLA CLIP IGUS MCM-14-03	BUSH CLIP IGUS MCM-14-03			
12	G20890211R	KIT INGRANAGGI DISTRIB.MICRO	DISTRIBUTION GEAR KIT MICRO	KIT ENGRENAGE DE DISTRIBUTION		KIT ENGRANAJES DISTRIB.MICRO
13	F01410088R	ROS.M14 15X 28X2,5 U6592 ZN	WAS.M14 15X 28X2,5 U6592 ZB	RON.M14 15X 28X2,5 U6592 ZB	SCH.M14 15X 28X2,5 U6592 ZB	ARA.M14 15X 28X2,5 U6592 ZB
14	F02200194R	COPIGLIA 4X 25 U1336 ZN	SPLIT PIN 4 X25 1336 GALVAN.	GOUPILLE 4 X25 1336 ZN	SPLINT 4 X25 1336 ZN	PASADOR 4 X25 1336 ZN
15	G19003670R	MANOPOLA SPEEDY SET	SPEEDY HANDLE SET	POIGN E SPEEDY SET	GRIFF SPEEDY SET	EMPU ADURA SPEEDY SET
16	G17772900R	ALBERO REGOLAZIONE SPEEDY SET	ADJUSTING AXLE SPEEDY SET			
17	F02100083R	SPINA E.P. 5X 24 U6873 C70 BR	PIN EL. 5 X24 DIN 1481	FICHE EL. 5 X24 DIN 1481	SPANNSTIFT 5 X24 DIN 1481	CLAVIJA EL.5 X24 DIN 1481
18	F02100314R	SPINA EL.5 X36 DIN 1481 INOX	PIN EL.5 X36 DIN 1481 INOX			
19	F01050083R	VITE M5X0,8X12 U5927 A2IX	SCR. M5X0,8X12 U5927 A2IX	GOUJON 5X12 UNI 5927	STIFT 5X12 UNI 5927	TORNILLO SIN CABEZA 5X12 5927
20	F01030041R	VITE M6X1X10 U5933 10.9ZD	SCREW M6X1X10 U5933 10.9ZD	VIS M6X1X10 U5933 10.9ZD	SCHRAU. M6X1X10 U5933 10.9ZD	TORNILLO M6X1X10 U5933 10.9ZD
21	G16675490R	KIT PIGNONE CREMAGLIERA	KIT PINION RACK			
22	G19003660R	SUPPORTO	SUPPORT			
23	F01200233R	DADO M6X1 U5588 A2IX	NUT M6X1 U5588 A2IX	ECROU M 6X 1 U5588 I	HALTERUNG	SOPORTE
24	F01020417R	VITE M6X1X12 U5739 A2IX	SCR. M6X1X12 U5739 A2IX	VIS M6 X1 X12 U5739 A2 IX	MUTTER M 6X 1 U5588	TUERCA M 6X 1 U5588
25	F010700061R	VITE A3,9X1,34X9,5 U6954 4.8NI	SCR. H3,9X1,34X9,5 U6954 4.8NI	VIS 3,9X 9,5 DIN 7981	SCHRAUBE M6X1X12 U5739 A2 IX	TORNILLO M6X1 X12 U5739 A2 IX
26	G16670310R	SUPPORTO MOLLA REGOLATORE	ADJ.SPRING SUPPORT			
27	G65336055R	MOLLA SPEC.REGOL.SPAND. SP	SPEC SPRING MAN. SPR. ADJUSTM.	RESSORT SPEC. REGL. EP. ENTRA	SPEZIALFEDER STREUEREINTELLUN	MUELLE ESPEC. REGUL. ABONADORA
28	G19003720R	GHIERA REGOLAZIONE SX	LEFT ADJUSTMENT KNURLED NUT	MANCHON DE REGLAGE GCH	EINTELLMUTTER LINKS	ROSCA REGULACION IZQUIERDA
29	F02100066R	SPINA EL.4 X36 DIN 1481	PIN EL. 4X 36 U6873 C70 BR			
30	G17772140R	REGOLATORE APERTURA MICRO	AIR REGULATOR			
31	G20890158R	DOSATORE MICRO COMPL.	ROTOR DIST. MICRO 20 GROOVES	ROTOR DOSEUR 20C MICRO COMPL.	DOSIERER MIKRO KOMPL. 20 SEKT	DOSIFICADOR MICRO COMPL.20 SEC
32	F01080032R	VITE M4X0,7X10 U7688 A2IX	SCR. M4X0,7X10 U7688 A2IX	VIS M4X 0,7X10 U7688 A2 IX	SCHRAUBE M4X 0,7X10 7688 A2 IX	TORNILLO M4X0.7X10 U7688 A2 IX
33	G15276111R	ASSE AGITATORE SERB.30L 3U	3-SLOT AGITATOR			
34	G15276120R	PIASTRA DOSATORI 3U	MICRO DISTR.PLATE 3U			
35	F02100062R	SPINA E.P. 4X 24 U6873 C70 BR	PIN EL. 4 X24 DIN 1481	FICHE EL. 4 X24 DIN 1481	SPANNSTIFT 4 X24 DIN 1481	CLAVIJA EL.4 X24 DIN 1481
36	G17772550R	BOCCOLA 10,4 X25 X16 FORO 5 ZN	BUSHING D10,4X25X16 HOLE 5 ZN			
37	G11400060R	DISTRIBUTORE MICRO SPEEDY SET	DISTRIBUTOR MICRO SPEEDY SET			
38	G15276161R	ASSE AGITATORE SERB.30L 2U	SHAKER AXLE TANK 30L 2U			
39	G15276130R	PIASTRA DOSATORI 2U	MICRO DISTR.PLATE 2U			
40	F01230024R	DADO M6X1 D982 A2IX	NUT M6X1 D982 A2IX	ECROU AUTOB.NOR.10	SELBSTSP. MUTTER NOR. 10	TUERCA AUTOB. NOR. 10
41	G19006620R	GUARNIZIONE PIASTRA MICRO	GASKET PLATE MICRO			
42	G15475271R	SUPPORTO MICRO	MICRO SUPPORT	SUPPORT MICROGRANULATEUR	HALTERUNG MICRO	SOPORTE MICRO
43	F01020472R	VITE M10X1,5X25 U5739 8.8ZN	SCR. M10X1,5X25 U5739 8.8ZN	VIS M10X1,5X25 U5739 8.8 ZN	SCHRAUBE M10X1,5X25 U5739 8.8	TORNILLO 10X25 U5739 8.8 ZN
44	F01200270R	DADO M10X1,5 U5588 CL8 ZN	NUT M10X1,5 U5588 6.8ZN	ECROU M10X 1,5 U5588 6.8 ZN	MUTTER M10X 1,5 U5588 6.8 ZN	TUERCA M10X 1,5 U5588 6.8 ZN
45	F20110706R	CAV.Q.B=35 M=10X1,5 L=60	U BOLT Q.B=35 M=10X1,5 L=60	CAVALIER SUPPORT DISQUE SV	VERBINDUNG SCHEIBENHALTERUNG S	PERNO EN U SOP. DISCO SV
46	G16675090R	TAPPO PLASTICA MICRO C OR	PLASTIC PLUG MICRO C OR			
47	F01420060R	ROS.M10 10,5X 30X2,5 U6593 ZG	GALV.WASHER 10,5X30X2,5 U6593	RONDELLE 10,5X30	SCHEIBE 10,5X30	ARANDELA 10,5X30
48	G22250240R	DOSATORE COMPL. SV	DISTRIBUTOR MICRO COMPL.	ROTOR DOSEUR 8C MICRO SV		DOSIFICADOR COMPL. SV
49	G19006413R	COPERCHIO SERB.MICRO DELTA	TANK COVER MICRO DELTA			
50	G66248123R	CORPO DISTRIBUZIONE M80	DISTRIBUTION CASING M80	CORPS DISTRIBUTION M80	VERTEILUNGSKTRPER	CUERPO DISTRIBUCI N M80
51	G19006600R	SERBATOIO MICRO 30L	TANK MICRO 30L			
52	G20970100R	RONDELLA 30X0,5X22 ACC.	WASHER 30X0-5X22 ACC.	RONDELLE 30X0-5X22 ACIER	UNTERLEGSSCHEIBE 30X0-5X22 ACC.	ARANDELA 30X0-5X22 ACC.
53	G19708091R	DECAL.DISTRIB.MICRO 30L MTE	MICRO CHART STICKER			
54	F01420011R	ROS.M4 4,3X 16X 1 U6593 ZN	FLAT WASHER 4-3X 16X1-5 6593 G	ROND.PLATE 4-3X 16X1-5 6593 ZN	SCHEIBE 4-3X 16X1-5 6593 ZN	ARAND. PLANA 4-3X 16X1-5 6593
55	G19001802R	RONDELLA-ALBERO MICRO	WASHER-SHAFT MICRO			
56	G66248188R	ANIMA DOSATORE M80	INSERTED ROLLER SEED METERING	AME DOSEUR M80	DOSIERERKERN M80	MACHO DOSIFICADOR M80
57	G66248189R	DOSATORE M80	SEED METERING DEVICE M80	DOSEUR M80	DOSIERER M80	DOSIFICADOR M80
58	G66248191R	PERNO ASSE UNIVERSALE M80	PIN UNIVERSAL AXLE M80	PIVOT AXE UNIVERSEL M80	ZAPPEN UNIVERSALACHSE M80	PERNO EJE UNIVERSAL M80
59	G19006390R	COPERCHIO DISTR.MICRO SPEEDY S	DISTR.TOR COVER MICRO SPEEDY S			
60	G65336046R	MOLLA SPEC.ZN SCIVOLO M80	SPEC SPRING ZN CHUTE M80	RESSORT SPEC. ZN LANCOIR M80	SPEZIALFEDER ZN RUTSCHE M80	MUELLE ESPEC. ZN PLANO INCLINA
61	G66248154R	SCIVOLO DISTR. M80	CHUTE- DISTRIB. M80	ENTONNOIR DOSEUR MINIMAX MICRO	SAAPPARAT RUTSCHE M80	PLANO INCLINADO DISTR. M80
62	F01420038R	ROS.M6 6,4X18X1,5 U6593 IX	WASHER M6 6,4X18X1,5 U6593 IX	RONDELLE M6 6,4X18X1,5 U6593 IX	SCHEIBE M6 6,4X18X1,5 U6593 IX	ARANDELA M6 6,4X18X1,5 6593IX
63	G15276141R	SERBATOIO MICRO 30L 2U COMPL	TANK MICRO 30L 2U COMPL.	RESERVOIR MICRO 30L 2U COMPL		
64	G15276151R	SERBATOIO MICRO 30L 3U COMPL	TANK MICRO 30L 3U COMPL.			

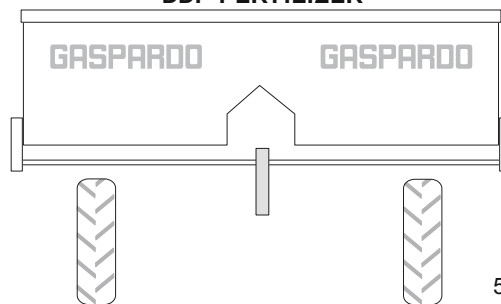
SPANDICONCIME PLASTICA
PLASTIC FERTILIZER



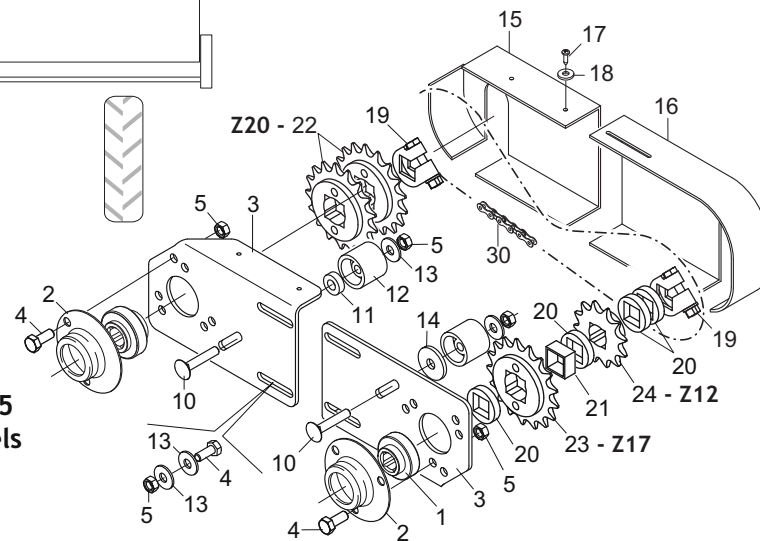
Ruote 6.50-15 e 7.50-16
6.50-15 and 7.50-16 Wheels



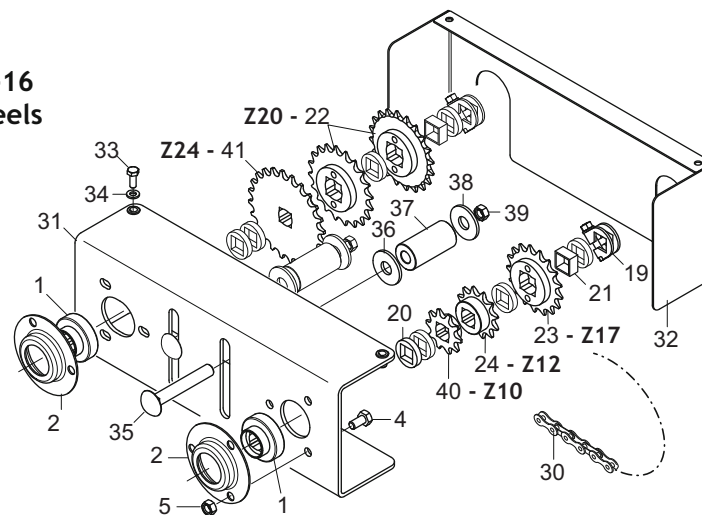
SPANDICONCIME BBP
BBP FERTILIZER



Ruote 6.50-15
6.50-15 Wheels



Ruote 7.50-16
7.50-16 Wheels



Catena Chain		Falsa maglia Offset link	Maglia giunto Connecting link
mod.	mm	Cod.	Cod.
083	12,90	F06080655 (42)	F06080501 (43)
084	14,60	F06080666 (44)	F06080502 (45)
10 A-1 ASA 50	20,50	F06080644 (7)	F06080499 (8)

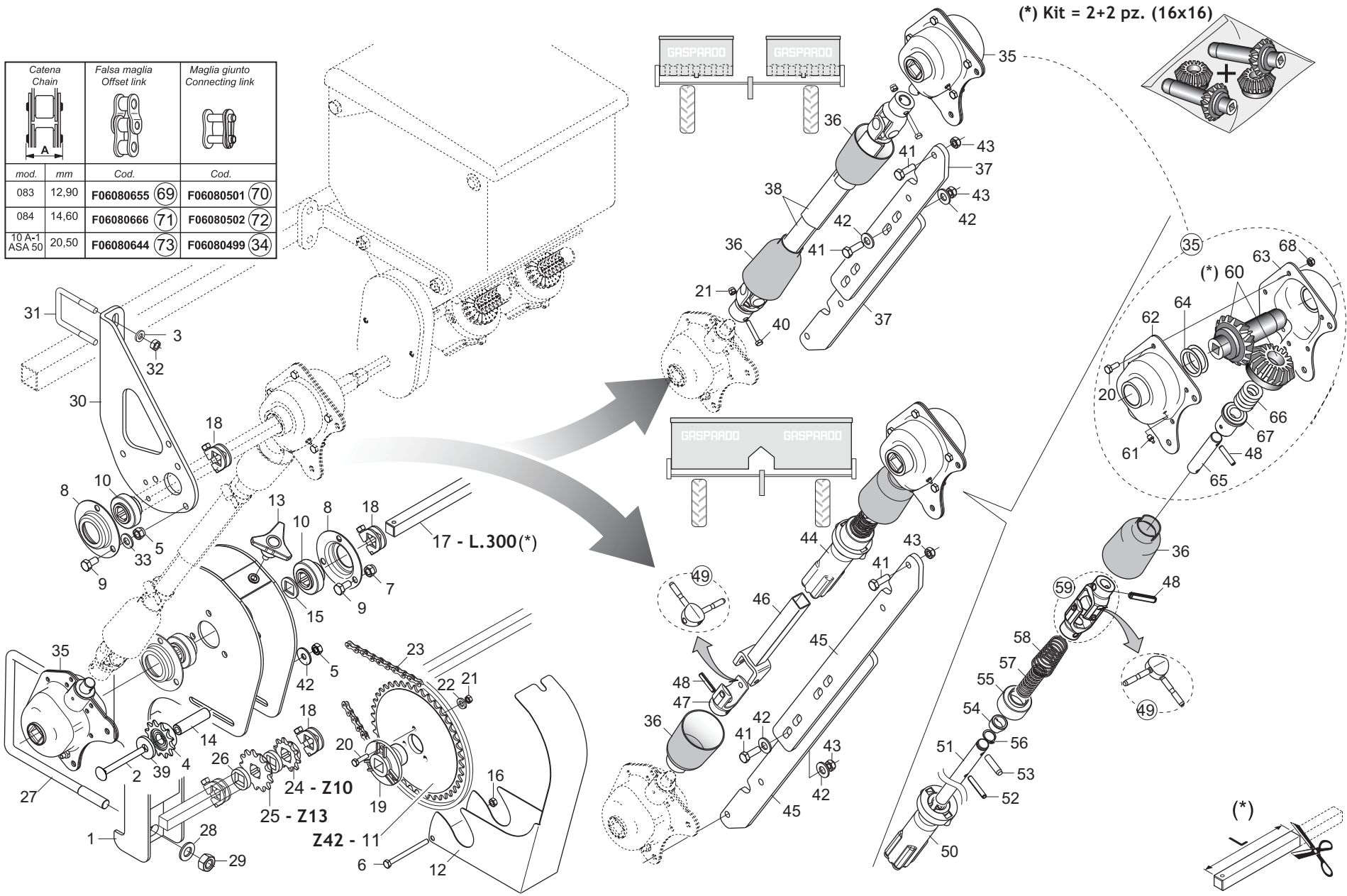
**TRASMISSIONE SPANDICONCIME
FERTILIZER DISTRIBUTOR DRIVE**

TAV. 360

Pos.	Cod.	Descrizione	Description	Description	Benennung	Descripcion
1	G14830390R	CUSCINETTO FORO QUADRO	SQUARE-HOLED BEARING	ROULEMENT TROU CARRE	VIERKANTLAGER	COJINETE ORIFICIO CUADRADO
2	G22230094R	SUPPORTO CUSCINETTO	BEARING SUPPORT	SUPPORT DE ROULEMENT	LAGERBSCHSE	SOPORTE COJINETE
3	G15470851R	FIANCO SUPP.TRASM.SPANDI	SPREADER TRANSM. SIDE SUPPORT	COTE SUPPORT TRANSM. EPAND.	SEITEN HALTER. ANTRIEB DUNGERS	COSTADO SOPORTE TRANSM. ABONAD
4	F01020436R	VITE M8X1,25X20 U5739 8.8ZN	SCR. M8X1,25X20 U5739 8.8ZN	VIS M8X1,25X 20 U5739 8.8 ZN	SCHRAUBE M8X1,25X20U5739 8.8ZN	TORN. M8X1,25X20 U5739 8.8 ZN
5	F01200244R	DADO M8X1,25 U5588 CL8 ZN	NUT M8X1,25 U5588 6.8ZN	ECROU M8 X1,25 U5588 6.8 ZN	MUTTER M8 X1,25 U5588 6.8 ZN	TUERCA M8 X1,25 U5588 6.8 ZN
6	G22500092R	SUPPORTO CUSCINETTO	BEARING SUPPORT	SUPPORT PALIER	LAGERBSCHSE	SOPORTE COJINETE
7	F06080644R	FALSA MAGLIA CAT.5 8 ASA 50LUB	DUMMY CHAIN LINK 5 8 ASA 50LUB	FAUSSE MAILLE CHAINE ASA 50LUB	FALSCHES GLIED 5 8 ASA 50LUB	ESLAB N FICTICIO CAD.5 8 ASA50
8	F06080499R	GIUNZIONE CATENA 5 8 ASA 50LUB	CHAIN JOINT 5 8 ASA 50LUB	JONCTIONS CHAINE 5 8 ASA 50LUB	KETTENVERBINDUNG 5 8 ASA 50LUB	UNIONES CADENA 5 8 ASA 50LUB
9	F16631040R	CUSC.D35-DE55 B10 61907 FQ20,5	BEARING D35-55 B10 61907 20,5			
10	F01060048R	VITE M8X1,25X50 U5731 8.8ZN	SCR. M8X1,25X50 U5732 4.6ZN	VIS 8 X50 5732 4.6 ZN	SCHRAUBE 8 X50 5732 4.6 ZN	TORNILLO 8X50 5732 4 6 ZN
11	G18801680R	BOCCOLA 11 X25 X7,5 ZN	BUSHING 11X25X7,5 GALVA	BOITE 11X25X7,5 ZN	BSCHE 11X25X7,5 ZN	CASQUILLO 11X25X7,5 ZN
12	G66248207R	TENDICATENA SPAND. SP-520	CHAIN TENSIONER	TENDEUR DE CHAINE EPAND. ENGR.	KETTENSPELLER DSNGERSTR. SP-52	TENSOR DE CADENA ABON. SP-520
13	F01420048R	ROS.M8 8,4X 24X 2 U6593 ZN	WASHER M8 8,4X 24X2 U6593 ZN	RONDELLE M8 8,4X24X 2 U6593 ZN	SCHEIBEN M8 8,4X24X 2 U6593 ZN	ARANDELA M8 8,4X 24X2 U6593 ZN
14	G18701140R	RONDELLA 11 X35 X5	WASHER 11 X 35 X 5	RONDELLE 11 X35 X5	UNTERLEGSSCHEIBE 11 X35 X5	ARANDELA 11 X35 X5
15	G19002830R	CARTER TRASMISSIONE SUPERIORE	TOP TRANSMISSION CASE	CARTER ENTRAINEMENT SUPERIEUR	OBERES ANTRIEBSGEHZUSE	C RTER TRANSMISI N SUPERIOR
16	G19002880R	CARTER INFERIORE TRASM.SPAND.	BOTTOM SPREADER TRANSM. CASE	CARTER INFERIEUR TRANSM EPAND.	UNTER. ANTRIEBSGEHZUSE DSNG.GE	C RTER INFER. TRANSMISI N ABON
17	F01070078R	VITE A4,2X1,41X13 U6950 4.8ZN	SCR. H4,2X1,41X13 U6950 4.8ZN	VIS AUTOTARADEUSE.4-2X13 TE	SELBSTSCHNEID. SCHRAUBE 4-2X13	TORNILLO AUTOR.4-2X13 TE
18	F01420011R	ROS.M4 4,3X 16X 1 U6593 ZN	FLAT WASHER 4-3X 16X1-5 6593 G	ROND.PLATE 4-3X 16X1-5 6593 ZN	SCHEIBE 4-3X 16X1-5 6593 ZN	ARAND. PLANA 4-3X 16X1-5 6593
19	G22505085R	FERMO ASSE IN LAMIERA	PLATE AXLE STOP	ARRET AXE EN TOLE	FESTSTELLVORRICHTUNG BLECHACHS	BLOQUEO EJE DE CHAPA
20	G66248218R	RONDELLA DISTAN.SPAND.	MAN. SPR. SPACER WASHER	RONDELLE ENTRETOISE EP. ENGRAI	ABSTANDSCHEIBE DSNGERSTREUER	ARANDELA DISTAN.ABONAD.
21	G15231410R	DISTANZIALE INTERNO ZN	INNER SPACER	ENTRETOISE INT.	INNERES DISTANZST_CK	DISTANCIADOR INTERIOR
22	G22250047R	CORONA CAMBIO Z-20 SV	GEARBOX RING GEAR Z-20 SV	COURONNE BOITE DE VITESSE	GETRIEBEKRANZ Z-20 SV	CORONA CAMBIO Z-20 SV
23	G22250044R	CORONA CAMBIO Z-17 SV	GEARBOX RING GEAR Z-17 SV	COURONNE BOITE DE VITESSE	GETRIEBEKRANZ Z-17 SV	CORONA CAMBIO Z-17 SV
24	G11220560R	PIGNONE Z12 1 2-3 16 Q.16,4 ZN	PINION Z12 1 2-3 16	PIGNON Z12 1 2-3 16	RITZE Z12 1 2-3 16	PINION Z12 1 2-3 16
25	F06080028R	CATENA 1 2 ISO 083 60 MAGLIE	CHAIN 1 2 ISO 083 60 LINKS	CHAINE 1 2 ISO 083 60 MAILLES	KETTE 1 2 ISO 083 60 GLIEDER	CADENA 1 2 ISO 083 60 ESLAB NE
26	G22500102R	FERMO ASSI	AXLE STOP	ARRET AXES	FESTSTELLVORRICHTUNG ACHSEN	BLOQUEO EJES
27	G15171860R	DISTANZIALE	SPACER	ENTRETOISE	DISTANZST_CK	DISTANCIADOR
28	F01020404R	VITE M6X1X20 U5739 8.8ZN	SCREW M6X1X20 U5739 8.8ZN	VIS M6X1X20 U5739 8.8ZN	SCHRAUBE M6X1X20 U5739 8.8ZN	TORNILLO M6X1X20 U5739 8.8ZN
29	F01220011R	DADO M6X1 D980 8ZN	NUT M6X1 D980 8ZN	ECROU M6X1 D980 8 ZN	MUTTER M6X1 D980 8 ZN	TUERCA M6X1 D980 8 ZN
30	F06080197R	CATENA 1 2 ISO 083 58 MAGLIE	CHAIN 1 2 ISO 083 58 LINKS	CHAINE 1 2 ISO 083 58 MAILLES	KETTE 1 2 ISO 083 58 GLIEDER	CADENA 1 2 ISO 083 58 ESLAB NE
31	G15275840R	ASS.FIANCO SUPP.TRASMISSIONE	SIDE SUPP.TRANSMISSION ASSY			
32	G15275830R	CARTER	CARTER.			
33	F01020403R	VITE M6X1X16 U5739 8.8ZN	SCR. M6X1X16 U5739 8.8ZN	VIS M6X1X16 U5739 8.8 ZN	SCHRAUBE M6X1X16 U5739 8.8 ZN	TORNILLO M6X1X16 U5739 8.8 ZN
34	F01410037R	ROS.M6 6,4X12,5X1,6 U6592 ZN	WASHER M6 6,4X12,5X1,6 U6592ZN	RONDEL.M6 6,4X12,5X1,6 U6592ZN	SCHEIB.M6 6,4X12,5X1,6 U6592ZN	ARAND.M6 6,4X12,5X1,6 U6592 ZN
35	F01060105R	VITE M12X1,75X80 U5732 8.8ZN	SCR. M12X1,75X80 U5732 8.8ZN	BOULON 12X80 5732 4.6	SCHRAUBE 12X80 5732 4.6	PERNO 12X80 5732 4.6
36	F18700450R	SAIBA 17X45X6 ZN	WASHER 17X45X6 GALV.ED			
37	G15231590R	RULLO TENDICATENA 12,5 X28X 56	CHAINSTRETCH.ROLLER12,5X28X56			
38	G20970085R	RONDELLA 40X4X13	WASHER 40X4X13	RONDELLE 40X4X13	UNTERLEGSSCHEIBE 40X4X13	ARANDELA 40X4X13
39	F01200293R	DADO M12X1,75 U5588 CL8 ZN	NUT M12X1,75 U5588 6S ZN	ECROU M12X1,75 U5588 6S ZN	MUTTER M12X1,75 U5588 6S ZN	TUERCA M12X1,75 U5588 6S ZN
40	G22250006R	INGR.CON MOZZO 1 2 Z-10 SV	GEARS- W HUB 1 2 Z-10 SV	ENGRENAGE AVEC MOYEU 1 2 Z-10	ZAHNRAD MIT NABE 1 2 Z-10 SV	ENGRAN.CON PERNO 1 2 Z-10 SV
41	G13730930R	PIGNONE Z24 1 2X3 16 Q.16,4 ZN	PINION GEAR 1 2X3 16 Q.16,4 ZN			
42	F06080655R	FALSA MAGLIA CAT.1 2 ISO 083	DUMMY CHAIN LINK 1 2 ISO 083	FAUSSE MAILLE CHAINE 1 2 ISO 0	FALSCHES GLIED 1 2 ISO 083	ESLAB N FICTICIO CAD. 1 2 ISO
43	F06080501R	GIUNZIONE CATENA 1 2 ISO 083	CHAIN JOINT 1 2 ISO 083	JONCTION CHAINE 1 2 ISO 083	KETTENVERBINDUNG 1 2 ISO 083	UNI N CADENA 1 2 ISO 083
44	F06080666R	FALSA MAGLIA CAT.1 2 ISO 084-1	CHAIN EYE CAT. 1 2 ISO 084-1			
45	F06080502R	GIUNZIONE CATENA 1 2 ISO 084-1	CHAIN JUNCTION 1 2 ISO 084-1			

TAV. 370

Catena Chain		Falsa maglia Offset link		Maglia giunto Connecting link	
mod.	mm	Cod.		Cod.	
083	12,90	F06080655	(69)	F06080501	(70)
084	14,60	F06080666	(71)	F06080502	(72)
10 A-1 ASA 50	20,50	F06080644	(73)	F06080499	(34)



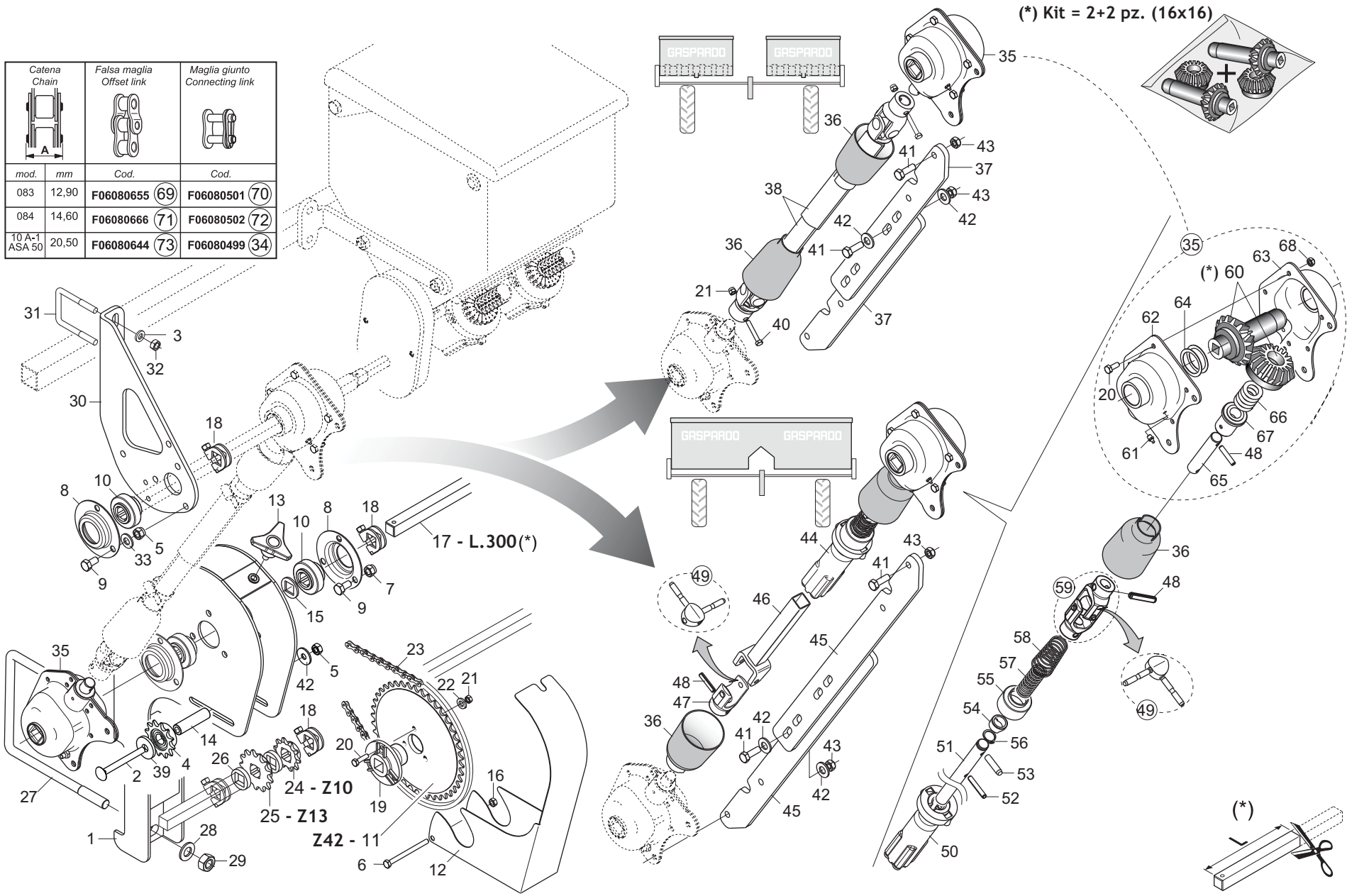
TRASMISSIONE MICROGRANULATORE (6 file x70-75-80 cm)
MICROGRANULATOR TRANSMISSION (6 rows x70-75-80 cm)

TAV. 370

Pos.	Cod.	Descrizione	Description	Description	Benennung	Descripcion
1	G15275960R	ASS.SCATOLA RINVIO MICRO	TRANSM.BOX MICRO			
2	F01060052R	VITE M8X1,25X80 U5731 8.8ZN	SCR. M8X1,25X80 U5732 4.6ZN	VIS 8 X80 5732 4.6 ZN	SCHRAUBE 8 X80 5732 4.6 ZN	TORNILLO 8X80 5732 4 6 ZN
3	F01410064R	ROS.M10 10,5X 20X 2 U6592 ZN	WASHER M10 10,5X20X2 U6592 ZN	RONDEL. M10 10,5X20X2 U6592 ZN	SCHEIBE M10 10,5X20X2 U6592 ZN	ARANDEL.M10 10,5X20X2 U6592 ZN
4	G16930550R	PIGNONE TENDICATENA CONC.COMPL	COMPL. FERTILIS. CHAIN EXTENDE	PIGNON TENDEUR DE CHAINE FERTI	RITZEL KETTENSANNER D_NGER KO	PI ON TIRA CADENA ABONO COMPL.
5	F01200244R	DADO M8X1,25 U5588 CL8 ZN	NUT M8X1,25 U5588 6.8ZN	ECROU M8 X1,25 U5588 6.8 ZN	MUTTER M8 X1,25 U5588 6.8 ZN	TUERCA M8 X1,25 U5588 6.8 ZN
6	F01020050R	VITE M6X1X80 U5737 8.8ZN	SCR. M6X1X80 U5737 8.8ZN	VIS 6 X80 5737 8.G ZN	SCHRAUBE 6 X80 5737 8.G ZN	TORNILLO 6 X80 5737 8.G ZN
7	F01230034R	DADO M8X1,25 D982 8ZN	NUT M8X1,25 D982 8ZN	ECROU M8X 1,25 ZN	MUTTER M8X 1,25 D982 8 ZN	TUERCA M8X 1,25 D982 8 ZN
8	G22230094R	SUPPORTO CUSCINETTO	BEARING SUPPORT	SUPPORT DE ROULEMENT	LAGERBSCHSE	SOPORTE COJINETE
9	F01020436R	VITE M8X1,25X20 U5739 8.8ZN	SCR. M8X1,25X20 U5739 8.8ZN	VIS M8X1,25X 20 U5739 8.8 ZN	SCHRAUBE M8X1,25X20U5739 8.8ZN	TORN. M8X1,25X20 U5739 8.8 ZN
10	G14830390R	CUSCINETTO FORO QUADRO	SQUARE-HOLED BEARING	ROULEMENT TROU CARRE	VIERKANTLAGER	COJINETE ORIFICIO CUADRADO
11	G20890128R	CORONA Z-42 SP	RING GEAR Z-42 SP	COURONNE Z-42 SP	KRANZ Z-42 SP	CORONA Z-42 SP
12	G15275970R	CARTER	CARTER.			
13	F06220018R	VOLANTINO 3LOBI D.65-M8X15	3-LOBE HANDWHEEL D.65-M8X15			
14	G18803680R	BOCCOLA 8,5 X15,0 X55,5 ZN	BUSHING 8,5 X15,0 X55,5			
15	G18701650R	RONDELLA FORO QUADRO ZN	WASHER 16,5X30X2,5 SQ.HOLE GAL	RONDELLE 16,5X30X2,5 ZN	UNTERLEGSSCHEIBE 16,5X30X2,5 ZN	ARANDELA 16,5X30X2,5 ZN
16	F01230022R	DADO M6X1 D982 8ZN	NUT M6X1 D982 8ZN	ECROU AUTO-FREIN.M6X1 D982 8ZN	SICHERUNGSMUT. M6X1 D982 8 ZN	TUERCA DE SEGU.M6X1 D982 8 ZN
17	G22270127R	ASSE RUOTA CAMBIO 2F.L.500 SP	WHEEL AXLE - GEARBOX 2-ROW L.	AXE ROUE BOITE DE VITESSE	GEBTRIEBERADACHSE 2R.L.500 SP	EJE RUEDA CAMBIO 2 FILAS. L.50
18	G22505085R	FERMO ASSE IN LAMIERA	PLATE AXLE STOP	ARRET AXE EN TOLE	FESTSTELLVORRICHTUNG BLECHACHS	BLOQUEO EJE DE CHAPA
19	G17175560R	MOZZO INGRANAGGIO ACCORCIATO	GEAR HUB SHORTER			
20	F01020403R	VITE M6X1X16 U5739 8.8ZN	SCR. M6X1X16 U5739 8.8ZN	VIS M6X1X16 U5739 8.8 ZN	SCHRAUBE M6X1X16 U5739 8.8 ZN	TORNILLO M6X1X16 U5739 8.8 ZN
21	F01200232R	DADO M6X1 U5588 CL8 ZN	NUT M6X1 U5588 6.8ZN	ECROU 6 UNI 5588 6.8 ZN	MUTTER 6 UNI 5588 6.8 ZN	TUERCA 6 UNI 5588 6.8 ZN
22	F01430047R	ROS.M6 6,4X 11X0,7 U8842J ZN	WASHER D6 DIN 6798 D.INT.GALV.	RONDELLE D6 DIN 6798 D. INT. Z	UNT. SCHEIBE D6 DIN 6798 D. IN	ARANDELA D6 DIN 6798 D.INT.ZN
23	F06080028R	CATENA 1 2 ISO 083 60 MAGLIE	CHAIN 1 2 ISO 083 60 LINKS	CHAINE 1 2 ISO 083 60 MAILLES	KETTE 1 2 ISO 083 60 GLIEDER	CADENA 1 2 ISO 083 60 ESLAB NE
24	G22250006R	INGR.CON MOZZO 1 2 Z-10 SV	GEARS- W HUB 1 2 Z-10 SV	ENGRENAGE AVEC MOYEU 1 2 Z-10	ZAHNRAD MIT NABE 1 2 Z-10 SV	ENGRAN.CON PERNO 1 2 Z-10 SV
25	G15131050R	PIGNONE Z13	Z-13 PINION	PIGNON Z13	RITZEL Z-13	PI N Z13
26	G66248218R	RONDELLA DISTAN.SPAND.	MAN. SPR. SPACER WASHER	RONDELLE ENTRETOISE EP. ENGRAI	ABSTANDSCHEIBE DSNGERSTREUER	ARANDELA DISTAN.ABONAD.
27	F20110785R	CAV.Q.B=150 M=14X2 L=189	U BOLT Q.B=150 M=14X2 L=189	CAVALIER 150	VERBINDUNG 150	PERNO EN U 150
28	F01410088R	ROS.M14 15X 28X2,5 U6592 ZN	WAS.M14 15X 28X2,5 U6592 ZB	RON.M14 15X 28X2,5 U6592 ZB	SCH.M14 15X 28X2,5 U6592 ZB	ARA.M14 15X 28X2,5 U6592 ZB
29	F01200306R	DADO M14X2 U5588 CL8 ZN	NUT M14X2 U5588 6.8ZN	ECROU M14X2	MUTTER M14X2	DADO M14X2
30	G15175071R	SUPPORTO ASSI TRASM.MICRO	MICRO TRANSMISSION AXLE SUPPOR			
31	F20110706R	CAV.Q.B=35 M=10X1,5 L=60	U BOLT Q.B=35 M=10X1,5 L=60	CAVALIER SUPPORT DISQUE SV	VERBINDUNG SCHEIBENHALTERUNG S	PERNO EN U SOP. DISCO SV
32	F01200270R	DADO M10X1,5 U5588 CL8 ZN	NUT M10X1,5 U5588 6.8ZN	ECROU M10X 1,5 U5588 6.8 ZN	MUTTER M10X 1,5 U5588 6.8 ZN	TUERCA M10X 1,5 U5588 6.8 ZN
33	F01430059R	ROS.M8 8,4X 15X0,8 U8842J ZN	WASHER M8 8,4X15X0,8 U8842J ZN	ROND. M8 8,4X 15X0,8 U8842J ZN	SCHEIBE M8 8,4X15X0,8 U8842JZN	ARAND. M8 8,4X15X0,8 U8842J ZN
34	F06080499R	GIUNZIONE CATENA 5 8 ASA 50LUB	CHAIN JOINT 5 8 ASA 50LUB	JONCTIONS CHAINE 5 8 ASA 50LUB	KETTENVERBINDUNG 5 8 ASA 50LUB	UNIONES CADENA 5 8 ASA 50LUB
35	G16033200R	MONT.SCATOLA RINVIO PE	TRANSFER CASE	BOITE RENVOI	VORGELEGEGEHZUSE	CAJA DE DISTRIBUCIN
36	G19002840R	COPRICARDANO SUPERIORE	TOP CARDAN JOINT COVER	COUVRE-CARDAN SUPERIEUR	OBERE KARDANABDECKUNG	CUBRECARD N SUPERIOR
37	G17172041R	ASTA SCATOLE RINVIO	TRASM.BOX ROD			
38	G15276760R	CARDANO 120- 159 D16 D16	CARDAN JOINT 120- 159 D16 D16			
39	G20970012R	RONDELLA 32X4X11	WASHER 32X4X11	RONDELLE 32X4X11	UNTERLEGSSCHEIBE 32X4X11	ARANDELA 32X4X11
40	F01020040R	VITE M6X1X40 U5737 8.8ZN	SCR. M6X1X40 U5737 8.8ZN	VIS M6X1X40 U5737 8.8ZN	SCHRAU. M6X1X40 U5737 8.8ZN	TORNIL. M6X1X40 U5737 8.8ZN
41	F01020440R	VITE M8X1,25X25 U5739 8.8ZN	SCR. M8X1,25X25 U5739 8.8ZN	VIS M8X1,25X25 U5739 8.8 ZN	SCHRAUBE M8X1,25X25U5739 8.8ZN	TORNIL.M8X1,25X25 U5739 8.8 ZN
42	F01420048R	ROS.M8 8,4X 24X 2 U6593 ZN	WASHER M8 8,4X 24X2 U6593 ZN	RONDELLE M8 8,4X24X 2 U6593 ZN	SCHEIBEN M8 8,4X24X 2 U6593 ZN	ARANDELA M8 8,4X 24X2 U6593 ZN
43	F01220022R	DADO M8X1,25 D980 8ZN	NUT M8X1,25 D980 8ZN	ECROU M8X 1,25 D980 8 ZN	MUTTER M8X 1,25 D980 8 ZN	TUERCA M8X 1,25 D980 8 ZN
44	G17120531R	SCATOLA RINVIO Q.16 EL.MA COMP	TRANS. BOX Q.16 EL. MA ASS.BLY			
45	G15175230R	ASTA SCATOLE RINVIO MICRO CARD	CARDAN JOINT TRANSMIS. BOX ROD			
46	G15221221R	TUBO CARDANO 20 L. 165	CARDAN TUBE 20 L.165			
47	G19204080R	FORCELLA	FORK			
48	F02100114R	SPINA E.P. 6X 30 U6873 C70 BR	ELASTIC PIN 6X30	GOUJON ELASTIQUE 6X30	SPANNHUELSE 6X30	ESPINA ELASTICA 6X30
49	G22270454R	CROCIERA COMPL. SP S	KIT SPIDER 2 ITEMS	CROSILLON COMPL CARDAN TRANSM	GELENKKREUZ KOMPL. SP S	CRUCETA COMPL. SP S
50	G22505073R	MANICOTTO DI INNESTO MT	COUPLING SLEEVE MT	MANCHON D ACCOUPLEMENT MT	KUPPLUNGSMUFFE MT	MANGUITO DE ACOPLAMIENTO MT
51	F17120181R	PERNO D.16X240 CARDANO ZN	PIN D.16X240 CARDAN ZN			
52	F02100121R	SPINA E.P. 6X 40 U6873 C70 BR	ELASTIC PIN 6X40	GOUJON ELASTIQUE 6X40	SPANNHUELSE 6X40	PASADOR 6X40
53	G66248057R	SPINA DI SICUREZZA SP	SAFETY PIN SP	BROCHE PLASTIC SECURITE CARDAN	SICHERHEITSTSTIFT SP	CLAVIJA DE SEGURIDAD SP
54	G22220105R	BOCCOLA DI SPINTA	THRUST BUSHING	BOITE DE POUSSEE	SCHUBBSCHSE	CASQUILLO DE APRIETE
55	G66248102R	ANELLO SICUREZZA SP	SAFETY RING	BAGUE SECURITE SP	SICHERHEITSRING SP	ANILLO DE SEGURIDAD SP

TAV. 370

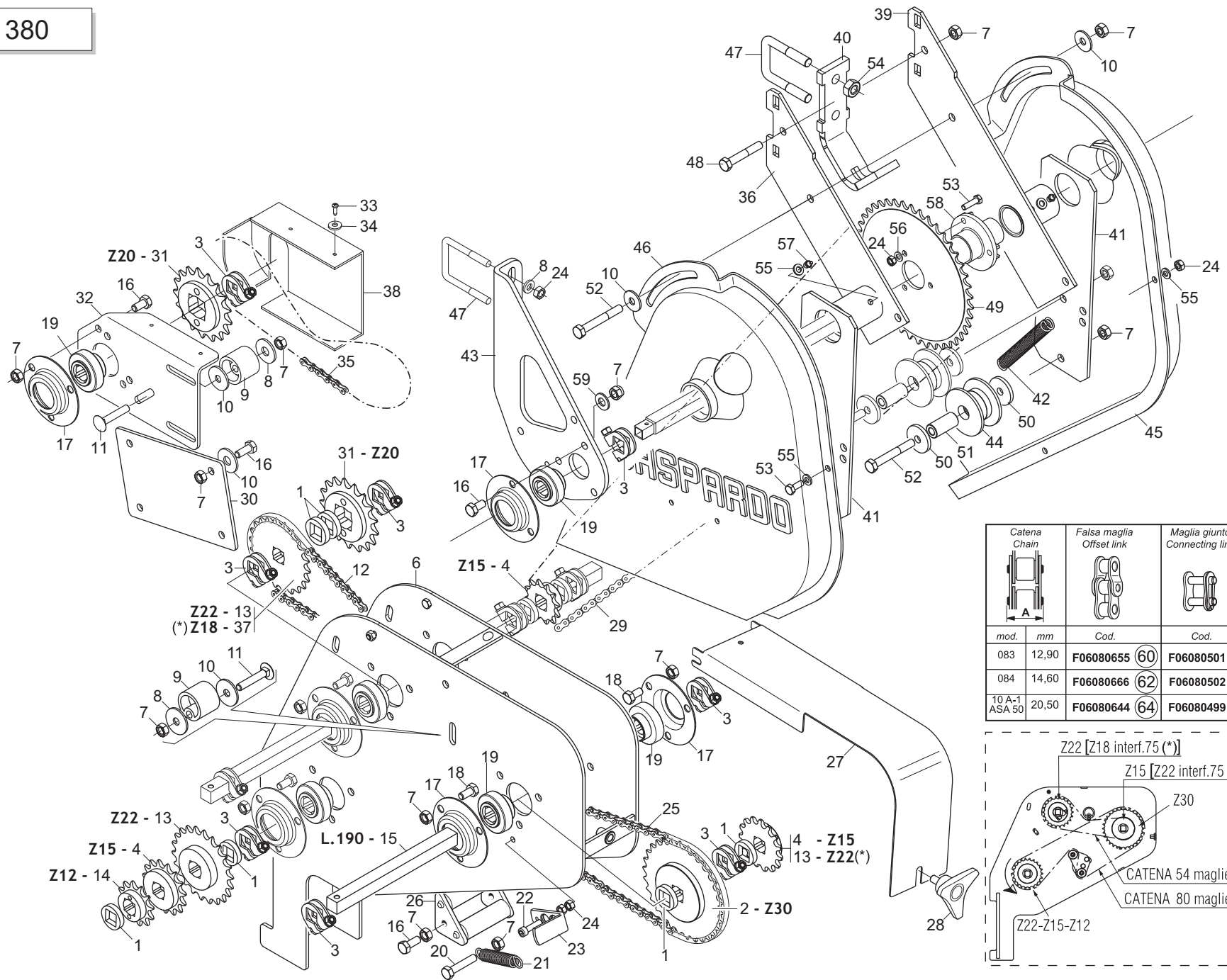
Catena Chain	Falsa maglia Offset link	Maglia giunto Connecting link	
mod.	mm	Cod.	Cod.
083	12,90	F06080655 (69)	F06080501 (70)
084	14,60	F06080666 (71)	F06080502 (72)
10 A-1 ASA 50	20,50	F06080644 (73)	F06080499 (34)



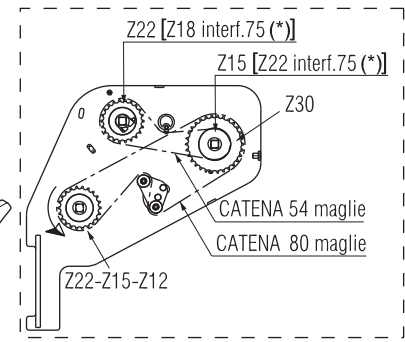
TRASMISSIONE MICROGRANULATORE (6 file x70-75-80 cm)
MICROGRANULATOR TRANSMISSION (6 rows x70-75-80 cm)

TAV. 370

Pos.	Cod.	Descrizione	Description	Description	Benennung	Descripcion
56	F02050045R	ANELLO E. DE 16X 1 U7435 C70	SEEGER RING 16X 1 U7435 C70	BAGUE SEEGER 16 X 1 U7435 C70	SEEGERING 16 X 1 U7435 C70	ANILLO 16X 1 U7435 C70
57	G65338018R	MOLLA COMP.ZN SCATOLA RINV.SP	TRANSM. BOX COMP. SPRING . SP	RESSORT COMPL. ZN TRANSMISSION	DRUCKFEDER ZN VORGELEGEGEHZUSE	MUELLE COMP.ZN CAJA TRANSFER..
58	G65338039R	MOLLA COMP.ZN INNESTO SP	ZN COUPLING COMP. SPRING SP	RESSORT COMPL. ZN ACCOUPLEM.	DRUCKFEDER ZN KUPPLUNG SP	MUELLE COMP.ZN ACOPLAMIENTO SP
59	G15423980R	FORCELLE SNODO ESCL.ELET.COMPL	COMPLET FORK ELECTRIC SWITCH O			
60	G22270389R	KIT INGR.SCATOLA DI RINVIO 2	KIT INTERM.TRANSM.GEAR BOX 2 2	COUPLE CON RENV ANGLE 2 2	2 2 ZAHNRZDER VORGELEGEGEHZUSE	2 2 ENGRANAJES CAJA DE LA TRAN
61	F01100011R	ING.M 6X1 7663-A 9SMNPB28 ZN	GREASE NIPPLE M6X1 7663-A ZN	GRAISS. A BILLE M6X1 7663A ZN	SCHMIERBUECHE M6X1 7663-A ZN	ENGRAS. DE ESFE. M6X1 7663-AZN
62	G22220103R	CONCHIGLIA SX	LEFT SHELL			
63	G22220102R	CONCHIGLIA DX	RIGHT SHELL	COQUILLE DRT.	SCHALE RECHTS	MOLDE DER.
64	G18700510R	RONDELLA 32 X40 X0,6 ZN	GROWER 32 X 40 X 0,6 ZN			
65	G22270452R	ALBERO SCATOLA RINVIO SP S	INTERMEDIATE BOX SHAFT	ARBRE TRANSMISSION SP S	WELLE VORGELEGEGEHZUSE SP S	RBOL CAJA DE TRANSMISI N SP S
66	G22220073R	RONDELLA 28X0,3X16,5	WASHER 28X0-3X16-5	RONDELLE 28X0-3X16-5	UNTERLEGSCHIEBE 28X0-3X16-5	ARANDELA 28X0-3X16-5
67	G66349001R	BOCCOLA	BUSHING	BOITE	B_CHSE	CASQUILLO
68	F01220011R	DADO M6X1 D980 8ZN	NUT M6X1 D980 8ZN	ECROU M6X1 D980 8 ZN	MUTTER M6X1 D980 8 ZN	TUERCA M6X1 D980 8 ZN
69	F06080655R	FALSA MAGLIA CAT.1 2 ISO 083	DUMMY CHAIN LINK 1 2 ISO 083	FAUSSE MAILLE CHAINE 1 2 ISO 0	FALSCHES GLIED 1 2 ISO 083	ESLAB N FICTICIO CAD. 1 2 ISO
70	F06080501R	GIUNZIONE CATENA 1 2 ISO 083	CHAIN JOINT 1 2 ISO 083	JONCTION CHAINE 1 2 ISO 083	KETTENVERBINDUNG 1 2 ISO 083	UNI N CADENA 1 2 ISO 083
71	F06080666R	FALSA MAGLIA CAT.1 2 ISO 084-1	CHAIN EYE CAT. 1 2 ISO 084-1			
72	F06080502R	GIUNZIONE CATENA 1 2 ISO 084-1	CHAIN JUNCTION 1 2 ISO 084-1			
73	F06080644R	FALSA MAGLIA CAT.5 8 ASA 50LUB	DUMMY CHAIN LINK 5 8 ASA 50LUB	FAUSSE MAILLE CHAINE ASA 50LUB	FALSCHES GLIED 5 8 ASA 50LUB	ESLAB N FICTICIO CAD.5 8 ASA50



Catena Chain		Falsa maglia Offset link		Maglia giunto Connecting link	
mod.	mm	Cod.		Cod.	
083	12,90	F06080655	60	F06080501	61
084	14,60	F06080666	62	F06080502	63
10 A-1 ASA 50	20,50	F06080644	64	F06080499	5



**TRASMISSIONE MICROGRANULATORE (7 file x60 cm / 8 file x45 cm)
MICROGRANULATOR TRANSMISSION (7 rows x60 cm / 8 rows x45 cm)**

TAV. 380

Pos.	Cod.	Descrizione	Description	Description	Benennung	Descripcion
1	G66248218R	RONDELLA DISTAN.SPAND.	MAN. SPR. SPACER WASHER	RONDELLE ENTRETOISE EP. ENGRAI	ABSTANDSCHEIBE DSNGERSTREUER	ARANDELA DISTAN.ABONAD.
2	G15231800R	PIGNONE Z30 1 2-3 16 Q.16,4 ZN	PINION Z30 1 2-3 16 Q.16,4 ZN			
3	G22505085R	FERMO ASSE IN LAMIERA	PLATE AXLE STOP	ARRET AXE EN TOLE	FESTSTELLVORRICHTUNG BLECHACHS	BLOQUEO EJE DE CHAPA
4	G22250028R	PIGNONE Z-15 SV	Z-15 PINION SV	PIGNON Z-15 SV	RITZEL Z-15 SV	PI N Z-15 SV
5	F06080499R	GIUNZIONE CATENA 5 8 ASA 50LUB	CHAIN JOINT 5 8 ASA 50LUB	JONCTIONS CHAINE 5 8 ASA 50LUB	KETTENVERBINDUNG 5 8 ASA 50LUB	UNIONES CADENA 5 8 ASA 50LUB
6	G15231850R	SCATOLA RINVIO	TRANSMISSION BOX			
7	F01200244R	DADO M8X1,25 U5588 CL8 ZN	NUT M8X1,25 U5588 6.8ZN	ECROU M8 X1,25 U5588 6.8 ZN	MUTTER M8 X1,25 U5588 6.8 ZN	TUERCA M8 X1,25 U5588 6.8 ZN
8	F01410064R	ROS.M10 10,5X 20X 2 U6592 ZN	WASHER M10 10,5X20X2 U6592 ZN	RONDEL. M10 10,5X20X2 U6592 ZN	SCHEIBE M10 10,5X20X2 U6592 ZN	ARANDEL.M10 10,5X20X2 U6592 ZN
9	G66248207R	TENDICATENA SPAND. SP-520	CHAIN TENSIONER	TENDEUR DE CHAINE EPAND. ENGR.	KETTENSANNER DSNGERSTR. SP-52	ENSOR DE CADENA ABON. SP-520
10	F01420048R	ROS.M8 8,4X 24X 2 U6593 ZN	WASHER M8 8,4X 24X2 U6593 ZN	RONDELLE M8 8,4X24X 2 U6593 ZN	SCHIBEN M8 8,4X24X 2 U6593 ZN	ARANDELA M8 8,4X 24X2 U6593 ZN
11	F01060047R	VITE M8X1,25X45 U5731 8.8ZN	SCR. M8X1,25X45 U5732 4.6ZN	VIS 8X45 5732 4.6 ZN	SCHRAUBE 8X45 5732 4.6 ZN	TORNILLO 8X45 5732 4.6 ZN
12	F06080023R	CATENA 1 2 ISO 083 54 MAGLIE	CUT-DOWN CHAIN .1 2 ISO 083 54	TR. CH..1 2 ISO 083 54 MAILLE	KETTENZNGE 1 2 ISO 083 54 GL	TRECHO CADENA 1 2 ISO 083 54 E
13	G20910018R	INGRANAGGIO Z-22	ENGRENAGE Z-22	ENGRNAGE Z-22	ZAHNRAD Z-22	ENGRANAJE Z-22
14	G16032560R	PIGNONE Z12 Q.16,4	PINION Z12 Q.16,4	PIGNON Z12 Q.16,4	RITZE Z12 Q.16,4	PINION Z12 Q.16,4
15	G10538170R	ASSE TRASM.L.193	TRANSMISSION AXLE L193	AXE TRANSMISSION L.193	ANTRIEBSACHSE L.193	EJE TRANSMISIN L 193
16	F01020436R	VITE M8X1,25X20 U5739 8.8ZN	SCR. M8X1,25X20 U5739 8.8ZN	VIS M8X1,25X 20 U5739 8.8 ZN	SCHRAUBE M8X1,25X20U5739 8.8ZN	TORN. M8X1,25X20 U5739 8.8 ZN
17	G222300094R	SUPPORTO CUSCINETTO	BEARING SUPPORT	SUPPORT DE ROULEMENT	LAGERBSCHSE	SOPORTE COJINETE
18	F01020432R	VITE M8X1,25X16 U5739 8.8ZN	SCR. M8X1,25X16 U5739 8.8ZN	VIS M8 X1,25X16 U5739 8.8 ZN	SCHRAUBE M8X1,25X16U5739 8.8ZN	TORNILLO M8X1,25X16U5739 8.8ZN
19	G14830390R	CUSCINETTO FORO QUADRO	SQUARE-HOLED BEARING	ROULEMENT TROU CARRE	VIERKANTLAGER	COJINETE ORIFICIO CUADRADO
20	F01020450R	VITE M8X1,25X40 U5739 8.8ZN	SCR. M8X1,25X40 U5739 8.8ZN	VIS M8X1,25X40 U5739 8.8ZN	SCHRA. M8X1,25X40 U5739 8.8ZN	TORN. M8X1,25X40 U5739 8.8ZN
21	G18902970R	MOLLA TRAZ.CAMBIO ZN SP	GALVAN. GEAR TRACT. SPRING SP	RESS. TRACT. BOITE VITESSE ZN	ZUGFEDER GETRIEBE ZN SP	MUELLE TRAC. CAMBIO ZN SP
22	F01040064R	VITE M6X1X25 U5931 8.8ZN	SCREW M6X1X25 U5931 8.8ZN	VIS M6X1X25 U5931 8.8ZN	SCHRAUBE M6X1X25 U5931 8.8ZN	TORNILLO M6X1X25 U5931 8.8ZN
23	G17130140R	LEVA CAMBIO	GEAR LEVER	LEVIER BOITE DE VITESSE	GETRIEBE HEBEL	PALANCA DE CAMBIO
24	F01200232R	DADO M6X1 U5588 CL8 ZN	NUT M6X1 U5588 6.8ZN	ECROU 6 UNI 5588 6.8 ZN	MUTTER 6 UNI 5588 6.8 ZN	TUERCA 6 UNI 5588 6.8 ZN
25	F06080043R	CATENA 1 2 ISO 083 80 MAGLIE	CHAIN 1 2 ISO 083 80 SHACKLE	CHAIN 1 2 ISO 083 80 LINKS		
26	G15231570R	RULLO TENDICATENA STRETTO	CHAIN TIGHTENER NARROW ROLLER	ROULEAU TENDEUR ETROITE DE CHA	ROLLE ENGES KETTENSANNER	RODILLO TENSOR DE LA CADENA AN
27	G15231860R	CARTER SUPERIORE	UPPER CARTER			
28	F06220018R	VOLANTINO 3LOBI D.65-M8X15	3-LOBE HANDWHEEL D.65-M8X15			
29	F06080050R	CATENA 1 2 ISO 083 96 MAGLIE	CHAIN 1 2 ISO 083 96 MAILLE	TR. CH...1 2 ISO 083 96 MAILL	KETTENZNGE 1 2 ISO 083 96 GL	TRECHO CADENA 1 2 ISO 083 96 E
30	G15231830R	PIASTRA PROLUNGA TRASM.SPANDI	FERTILIZER DIST. TRANSM. PLATE			
31	G22250007R	INGR.CON MOZZO 1 2 Z-20 SV	GEARS- W HUB 1 2 Z-20 SV	ENGRENAGE 1 2 Z-20	ZAHNRAD MIT NABE 1 2 Z-20 SV	ENGRAN.CON PERNO 1 2 Z-20 SV
32	G15470851R	FIANCO SUPP.TRASM.SPANDI	SPREADER TRANSM. SIDE SUPPORT	COTE SUPPORT TRANSM. EPAND.	SEITEN HALTER. ANTRIEB DUNGERS	COSTADO SOPORTE TRANSM. ABONAD
33	F01070078R	VITE A4,2X1,41X13 U6950 4.8ZN	SCR. H4,2X1,41X13 U6950 4.8ZN	VIS AUTOTARADEUSE.4-2X13 TE	SELBSTSCHNEID. SCHRAUBE 4-2X13	TORNILLO AUTOR.4-2X13 TE
34	F01420011R	ROS.M4 4,3X 16X 1 U6593 ZN	FLAT WASHER 4-3X 16X1-5 6593 G	ROND.PLATE 4-3X 16X1-5 6593 ZN	SCHEIBE 4-3X 16X1-5 6593 ZN	ARAND. PLANA 4-3X 16X1-5 6593
35	F06080039R	CATENA 1 2 ISO 083 76 MAGLIE	CHAIN 1 2 ISO 083 76 SHACKLE			
36	G15476880R	RIBADITURA SUPP.TRASM.SX	LH TRANSMISSION SUPPORT			
37	G15131060R	PIGNONE Z18 Q.16,4 ZN	PINION Z18 Q.16,4 ZN	PIGNON Z18 Q.16,4 ZN	RITZE Z18 Q.16,4 ZN	PINION Z18 Q.16,4 ZN
38	G19002830R	CARTER TRASMISSIONE SUPERIORE	TOP TRANSMISSION CASE	CARTER ENTRAINEMENT SUPERIEUR	OBERES ANTRIEBSGEHUSE	C RTER TRANSMISI N SUPERIOR
39	G15476890R	RIBADITURA SUPP.TRASM.DX	RH TRANSMISSION SUPPORT			
40	G15476390R	SCONTRIO CENTRALE	CENTRAL PLATE			
41	G15475311R	SUPPORTO RULLINI TENDIC. MICRO	MICRO CHAIN STRETCHER ROLLERS			
42	G18902960R	MOLLA TRAZ.TRASM.RUOTA ZN	TRANSMISSION TENSIONER SPRING	RESSORT TRACT. ENTRAIN. ROUE Z	ZUGFEDER RADANTRIEB ZN	MUELLE TRAC. TRANSM.RUEDA ZN
43	G15175071R	SUPPORTO ASSI TRASM.MICRO	MICRO TRANSMISSION AXLE SUPPOR			
44	G19000091R	ROCCHETTO 2 META	CHAIN TENSIONER	TENDEUR DE CHAINE 2 MOITIE	KLEINRAD SPANNER SA	CARRETE TENSOR SA
45	G19002810R	CARTER RINVIO MICRO DX	RIGHT MICRO TRANSM. CASE	CARTER TRANSM. MICRO DRT	VERBELEGEGEHUSE MIKRO RE	C RTER TRANSMISI N MICRO DER
46	G15231890R	CARTER MICRO SX	CARTER MICRO LEFT			
47	F20110706R	CAV.Q.B=35 M=10X1,5 L=60	U BOLT Q.B=35 M=10X1,5 L=60	CAVALIER SUPPORT DISQUE SV	VERBINDUNG SCHEIBENHALTERUNG S	PERNO EN U SOP. DISCO SV
48	F01020072R	VITE M8X1,25X50 U5737 8.8ZN	SCR. M8X1,25X50 U5737 8.8ZN	VIS M8X1,25X50 U5737 8.8 ZN	SCHR. M8X1,25X50 U5737 8.8 ZN	TORN. M8X1,25X50 U5737 8.8 ZN
49	G20890128R	CORONA Z-42 SP	RING GEAR Z-42 SP	COURONNE Z-42 SP	KRANZ Z-42 SP	CORONA Z-42 SP
50	G20970032R	RONDELLA 32X4X8,5	WASHER 32X4X8-5	RONDELLE 32X4X8-5	UNTERLEGSCHHEIBE 32X4X8-5	ARANDELA 32X4X8-5
51	G20980086R	BOCCOLA DIST.D.8,5X16X31	BUSHING SPAC. D.8-5X16X31	BOITE ENTRETOISE D. 8-5X16X31	VERTEILERSCHSE D.8-5X16X31	CASQUILLO DIST. D.8-5X16X31
52	F01020077R	VITE M8X1,25X60 U5737 8.8ZN	SCR. M8X1,25X60 U5737 8.8ZN	VIS M8X1,25X60 U5737 8.8 ZN	SCHRAU. M8X1,25X60 U5737 8.8ZN	TORN. M8X1,25X60 U5737 8.8 ZN
53	F01020403R	VITE M6X1X16 U5739 8.8ZN	SCR. M6X1X16 U5739 8.8ZN	VIS M6X1X16 U5739 8.8 ZN	SCHRAUBE M6X1X16 U5739 8.8 ZN	TORNILLO M6X1X16 U5739 8.8 ZN
54	F01200270R	DADO M10X1,5 U5588 CL8 ZN	NUT M10X1,5 U5588 6.8ZN	ECROU M10X 1,5 U5588 6.8 ZN	MUTTER M10X 1,5 U5588 6.8 ZN	TUERCA M10X 1,5 U5588 6.8 ZN
55	F01410037R	ROS.M6 6,4X12,5X1,6 U6592 ZN	WASHER M6 6,4X12,5X1,6 U6592ZN	RONDEL.M6 6,4X12,5X1,6 U6592ZN	SCHEIB.M6 6,4X12,5X1,6 U6592ZN	ARAND.M6 6,4X12,5X1,6 U6592 ZN
56	F01430047R	ROS.M6 6,4X 11X0,7 U8842J ZN	WASHER D6 DIN 6798 D.INT.GALV.	RONDELLE D6 DIN 6798 D. INT. Z	UNT. SCHEIBE D6 DIN 6798 D. IN	ARANDELA D6 DIN 6798 D.INT.ZN
57	F01100011R	ING.M 6X1 7663-A 9SMNPB28 ZN	GREASE NIPPLE M6X1 7663-A ZN	GRAISS. A BILLE M6X1 7663A ZN	SCHMIERBUECHE M6X1 7663-A ZN	ENGRAS. DE ESFE. M6X1 7663-AZN
58	G66248152R	MOZZO TRASM.MICRO M80	HUB - TRANSM. MICRO M80	MOYEU ENTRAINEMENT MICRO M80	ANTRIEBSNABE MIKRO M80	CUBO TRANSM. MICRO M80
59	F01430059R	ROS.M8 8,4X 15X0,8 U8842J ZN	WASHER M8 8,4X15X0,8 U8842J ZN	ROND. M8 8,4X 15X0,8 U8842J ZN	SCHEIBE M8 8,4X15X0,8 U8842JZN	ARAND. M8 8,4X15X0,8 U8842J ZN
60	F06080655R	FALSA MAGLIA CAT.1 2 ISO 083	DUMMY CHAIN LINK 1 2 ISO 083	FAUSSE MAILLE CHAINE 1 2 ISO 0	FALSCHES GLIED 1 2 ISO 083	ESLAB N FICTICIO CAD. 1 2 ISO
61	F06080501R	GIUNZIONE CATENA 1 2 ISO 083	CHAIN JOINT 1 2 ISO 083	JONCTION CHAINE 1 2 ISO 083	KETTENVERBINDUNG 1 2 ISO 083	UNI N CADENA 1 2 ISO 083
62	F06080666R	FALSA MAGLIA CAT.1 2 ISO 084-1	CHAIN EYE CAT. 1 2 ISO 084-1			
63	F06080502R	GIUNZIONE CATENA 1 2 ISO 084-1	CHAIN JUNCTION 1 2 ISO 084-1			
64	F06080644R	FALSA MAGLIA CAT.5 8 ASA 50LUB	DUMMY CHAIN LINK 5 8 ASA 50LUB	FAUSSE MAILLE CHAINE ASA 50LUB	FALSCHES GLIED 5 8 ASA 50LUB	ESLAB N FICTICIO CAD.5 8 ASA50

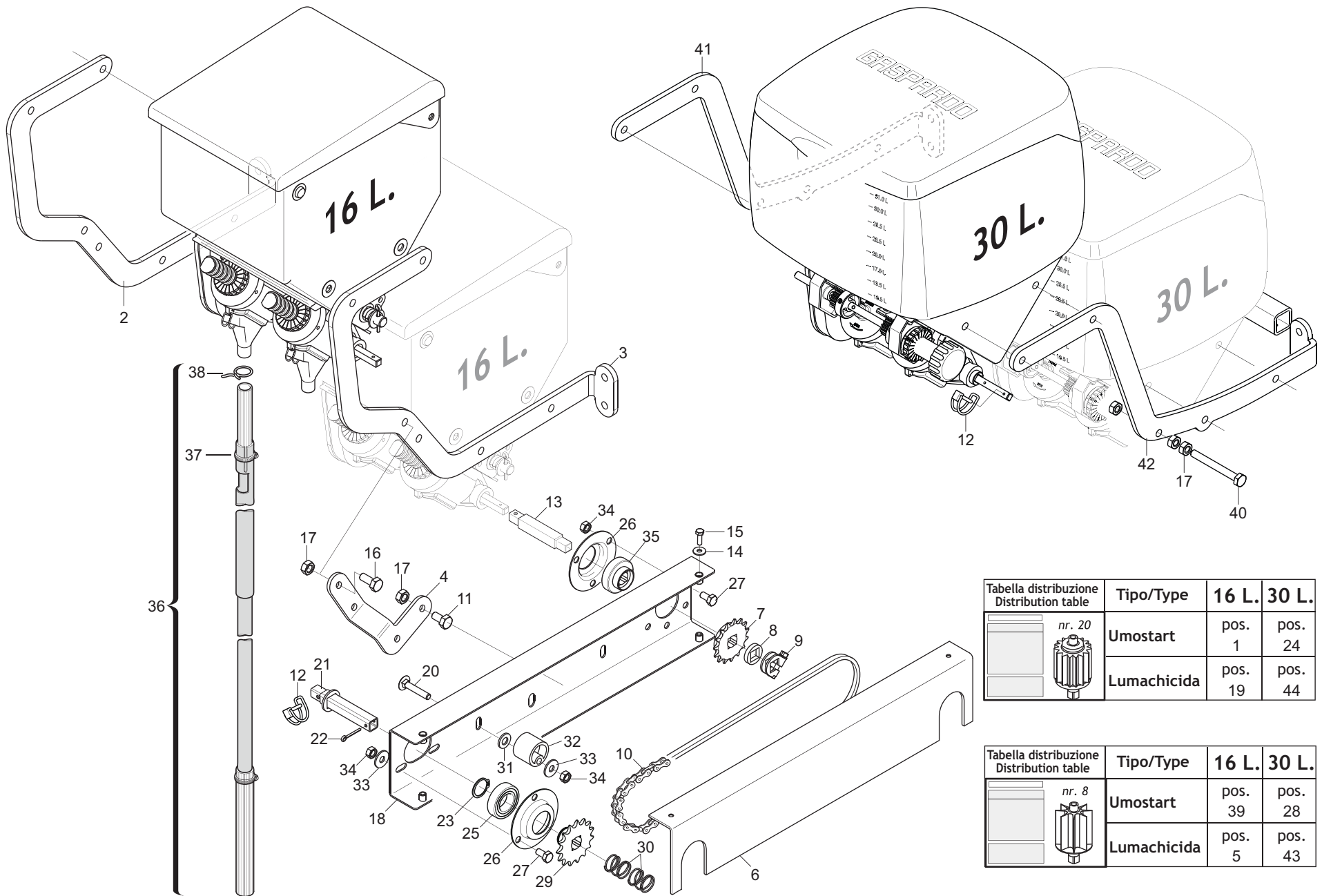




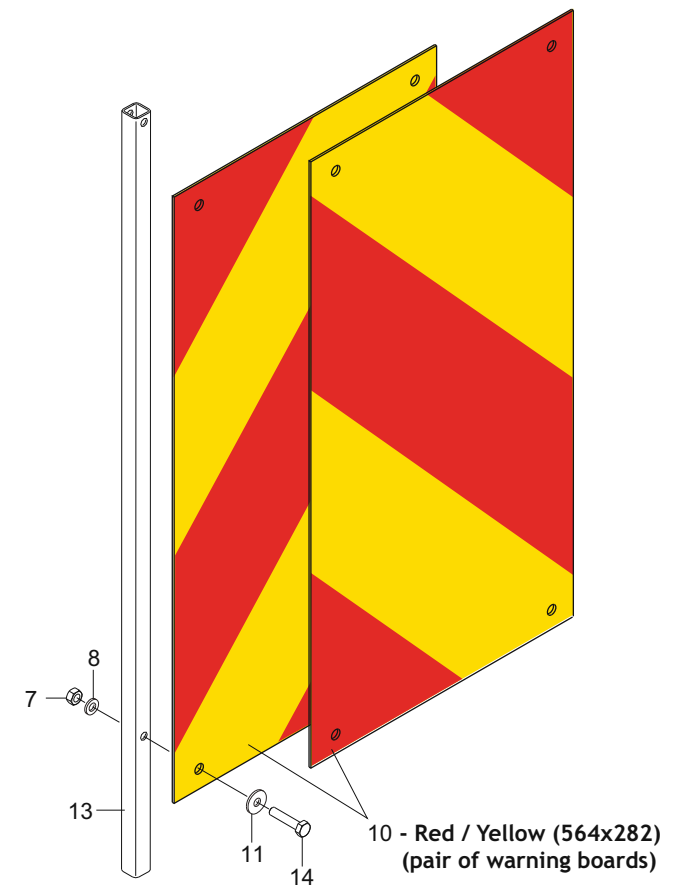
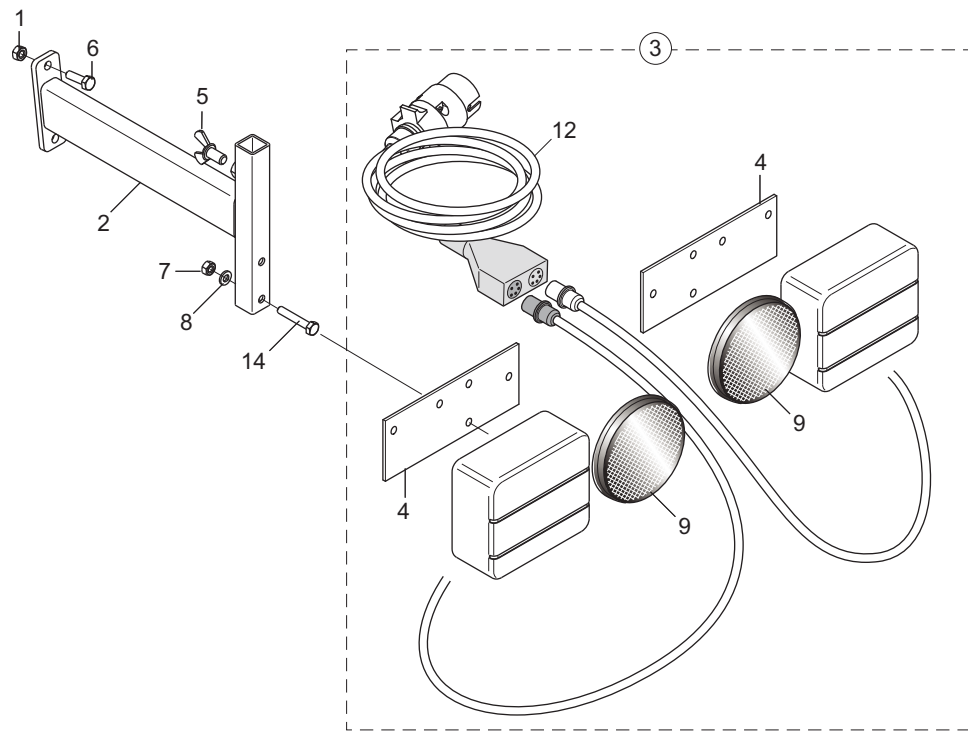
Tabella distribuzione Distribution table	Tipo/Type	16 L.	30 L.
 nr. 20	Umostart	pos. 1	pos. 24
	Lumachicida	pos. 19	pos. 44

Tabella distribuzione Distribution table	Tipo/Type	16 L.	30 L.
 nr. 8	Umostart	pos. 39	pos. 28
	Lumachicida	pos. 5	pos. 43

**APPLICAZIONE DOPPIO MICROGRANULATORE
DOUBLE MICROGRANULATOR APPLICATION**

TAV. 390

Pos.	Cod.	Descrizione	Description	Description	Benennung	Description
1	G19704980R	DECAL.TAB.DISTRIB.UMOSTART 20P	UMOSTART DISTRIBUTOR CHART 20P	TABLEAU DISTRIBUTEUR UMOSTART	TABELLE SZAPPARAT UMOSTART 20P	TABLA DISTRIBUDOR UMOSTART 20P
2	G15275130R	SUPPORTO LUMACHICIDA SX	L.SUPPORT DOUBLE TANK MICRO			
3	G15275120R	SUPPORTO LUMACHICIDA DX	R.SUPPORT DOUBLE TANK MICRO			
4	G15275140R	SUPPORTO TRASM.LUMACHICIDA	TRASM.SUPPORT DOUBLE TANKMICRO			
5	G19704990R	DECAL.TAB.DISTRIB.LUMACHIC.8P.	DISTRIBUTOR CHART 8P	TABLEAU DISTRIBUTEUR 8P	TABELLE SZAPPARAT 8P	TABLA DISTRIBUDOR 8P
6	G15273051R	CARTER SUPPORTO CATENA	SUPPORT CHAIN CASING	CARTER SUPPORT CHAINE	KETTENHALTERUNGSGEHZUSE	CARTER SOPORTE CADENA
7	G22250028R	PIGNONE Z-15 SV	Z-15 PINION SV	PIGNON Z-15 SV	RITZEL Z-15 SV	PI N Z-15 SV
8	G66248218R	RONDELLA DISTAN.SPAND.	MAN. SPR. SPACER WASHER	RONDELLE ENTRETOISE EP. ENGRAI	ABSTANDSCHEIBE DSNGERSTREUER	ARANDELA DISTAN.ABONAD.
9	G22505085R	FERMO ASSE IN LAMIERA	PLATE AXLE STOP	ARRET AXE EN TOLE	FESTSTELLVORRICHTUNG BLECHACHS	BLOQUEO EJE DE CHAPA
10	F06080047R	CATENA 1 2 ISO 083 88 MAGLIE	CUT-DOWN CHAIN 1 2 ISO 083 88	TR. CH. ISO 083 88 MAILLES	KETTENZNGE 1 2 ISO 083 88 GL	CADENA 1 2 ISO 083 88 ESLABONE
11	F01020470R	VITE M10X1,5X20 U5739 8.8ZN	SCR. M10X1,5X20 U5739 8.8ZN	VIS M10X1,5X20 U5739 8.8 ZN	SCHRAUBE M10X1,5X20 U5739 ZN	TORNILLOM10X1,5X20 U5739 8.8ZN
12	F02200595R	SPINA SICUR.D. 5X30 ZN	PIN X GEAR	GOUJON	BOLZEN	ESPINA
13	G11430930R	MANICOTTO MICRO CENTR.L.120	SLEEVE MICRO CENTR.L.120			
14	F01410037R	ROS.M6 6,4X12,5X1,6 U6592 ZN	WASHER M6 6,4X12,5X1,6 U6592ZN	RONDEL.M6 6,4X12,5X1,6 U6592ZN	SCHEIB.M6 6,4X12,5X1,6 U6592ZN	ARAND.M6 6,4X12,5X1,6 U6592 ZN
15	F01020403R	VITE M6X1X16 U5739 8.8ZN	SCR. M6X1X16 U5739 8.8ZN	VIS M6X1X16 U5739 8.8 ZN	SCHRAUBE M6X1X16 U5739 8.8 ZN	TORNILLO M6X1X16 U5739 8.8 ZN
16	F01020472R	VITE M10X1,5X25 U5739 8.8ZN	SCR. M10X1,5X25 U5739 8.8ZN	VIS M10X1,5X25 U5739 8.8 ZN	SCHRAUBE M10X1,5X25 U5739 8.8	TORNILLO 10X25 U5739 8.8 ZN
17	F01200270R	DADO M10X1,5 U5588 CL8 ZN	NUT M10X1,5 U5588 6.8ZN	ECROU M10X 1,5 U5588 6.8 ZN	MUTTER M10X 1,5 U5588 6.8 ZN	TUERCA M10X 1,5 U5588 6.8 ZN
18	G15273042R	SUPPORTO CATENA	CHAIN SUPPORT			
19	G19705000R	DECAL.TAB.DISTRIB.LUMACHIC.20P	DISTRIBUTOR CHART 20P	TABLEAU DISTRIBUTEUR 20P	TABELLE SZAPPARAT 20P	TABLA DISTRIBUDOR 20P
20	F01060047R	VITE M8X1,25X45 U5731 8.8ZN	SCR. M8X1,25X45 U5732 4.6ZN	VIS 8X45 5732 4.6 ZN	SCHRAUBE 8X45 5732 4.6 ZN	TORNILLO 8X45 5732 4.6 ZN
21	G15274641R	MANICOTTO DISGIUNTORE	UNCOUPLING SLEEVE			
22	F02200164R	COPIGLIA 3X 30 U1336 ZN	SPLIT PIN 3X 30 U1336 ZN			
23	F02050101R	ANELLO E. DE 25X 1,2 U7435 C7	SEEGER RING E. 25X1,2 7435 C70	SEEGER E. 25X 1,2 U7435 C70	SEEGERING E. 25X 1,2 U7435 C70	ANILLO E. 25X 1,2 U7435 C70
24	G19708500R	DECAL.DISTR.UMOSTART 20P 30L	DISTRIBUTOR CHART 20P 30L			
25	F04010135R	CUSC.D25 D47 B12 6005 2RS EX	BEARING D25 D47 B12 6005 2RS			
26	G22230094R	SUPPORTO CUSCINETTO	BEARING SUPPORT	SUPPORT DE ROULEMENT	LAGERBSCHSE	SOPORTE COJINETE
27	F01020432R	VITE M8X1,25X16 U5739 8.8ZN	SCR. M8X1,25X16 U5739 8.8ZN	VIS M8 X1,25X16 U5739 8.8 ZN	SCHRAUBE M8X1,25X16U5739 8.8ZN	TORNILLO M8X1,25X16U5739 8.8ZN
28	G19708470R	DECAL.DISTR.UMOSTART 8P 30L	DISTRIBUTOR CHART 8P 30L			
29	G15835470R	PIGNONE ISO 08B-1 1 2-3 16 Z15	ISO 08B-1 Z=15 PINION SQR16,4			
30	G65338022R	MOLLA COMP.ZN CHIAVISTELLO FR	ZN LATCH COMP. SPRING FR	RESSORT COMPL. ZN VERROU FR	DRUCKFEDER ZN RIEGEL FR	MUELLE COMP.ZN PESTILLO FR
31	F01410064R	ROS.M10 10,5X 20X 2 U6592 ZN	WASHER M10 10,5X20X2 U6592 ZN	RONDEL. M10 10,5X20X2 U6592 ZN	SCHEIBE M10 10,5X20X2 U6592 ZN	ARANDEL.M10 10,5X20X2 U6592 ZN
32	G66248207R	TENDICATENA SPAND. SP-520	CHAIN TENSIONER	TENDEUR DE CHAINE EPAND. ENGR.	KETTENSPANNER DSNGERSTR. SP-52	SENSOR DE CADENA ABON. SP-520
33	F01420048R	ROS.M8 8,4X 24X 2 U6593 ZN	WASHER M8 8,4X 24X2 U6593 ZN	RONDELLE M8 8,4X24X 2 U6593 ZN	SCHEIBEN M8 8,4X24X 2 U6593 ZN	ARANDELA M8 8,4X 24X2 U6593 ZN
34	F01200244R	DADO M8X1,25 U5588 CL8 ZN	NUT M8X1,25 U5588 6.8ZN	ECROU M8 X1,25 U5588 6.8 ZN	MUTTER M8 X1,25 U5588 6.8 ZN	TUERCA M8 X1,25 U5588 6.8 ZN
35	G14830390R	CUSCINETTO FORO QUADRO	SQUARE-HOLED BEARING	ROULEMENT TROU CARRE	VIERKANTLAGER	COJINETE ORIFICIO CUADRADO
36	G11425111R	TUBO DISCESA LUMACHICIDA COMPL	PIPE DESCENT	TUBE DESCENTE COMPL.	SENKROHR KOMPL.	TUBO DESCENSO COMPL.
37	F02300016R	FASCETTA STRING. 16 27 H.8	CLAMP 16 27 H.8			
38	G65336041R	MOLLA SPEC.ZN STRINGITUBO M80	SPEC.SPRING ZN . PIPE CLAMP M8	RESSORT SPEC. ZN SERRE-TUBE M8	SPEZIALFEDER ZN ROHRSCHELLE M8	MUELLE ESPEC. ZN APLASTA TUBOS
39	G19704970R	DECAL.TAB.DISTRIB.UMOSTART 8P.	UMOSTART DISTRIBUTOR CHART 8P	TABLEAU DISTRIBUTEUR UMOSTART	TABELLE SZAPPARAT UMOSTART 8P	TABLA DISTRIBUDOR UMOSTART 8P
40	F01020492R	VITE M10X1,5X90 U5739 8.8ZN	SCR. M10X1,5X90 U5739 8.8ZN	VIS M10X1,5X90 U5739 8.8ZN	SCHRAU. M10X1,5X90 U5739 8.8ZN	TORN. M10X1,5X90 U5739 8.8ZN
41	G17175940R	SUPPORTO LUMACHICIDA DX	RH SUPPORT DOUBLE TANK MICRO			
42	G17175950R	SUPPORTO LUMACHICIDA SX	LH SUPPORT DOUBLE TANK MICRO			
43	G19708450R	DECAL.DISTR.LUMACHICIDA 8P 30L	DISTRIBUTOR CHART 8P 30L			
44	G19708460R	DECAL.DISTR.LUMACHICIDA 20P30L	DISTRIBUTOR CHART 20P 30L			

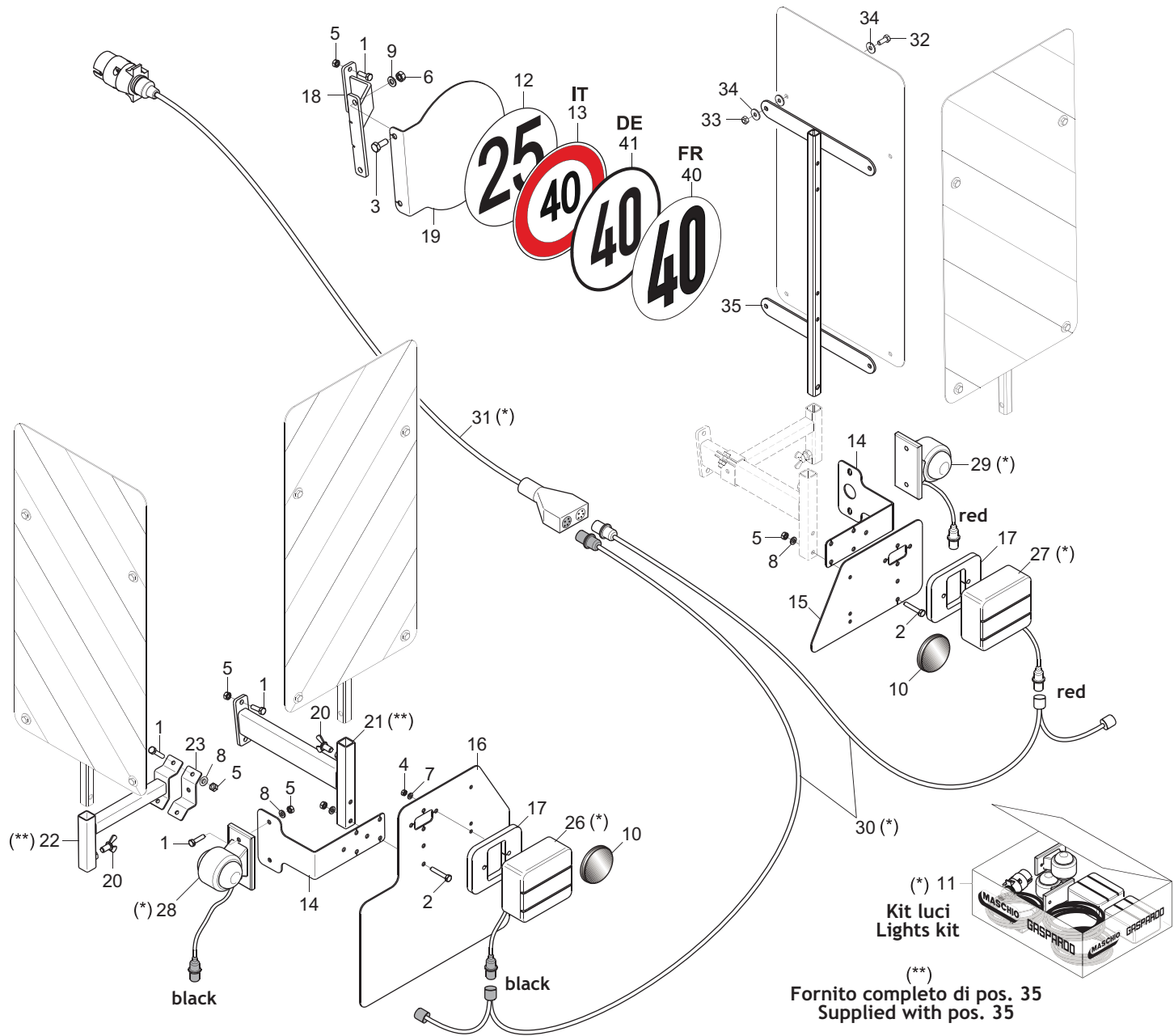
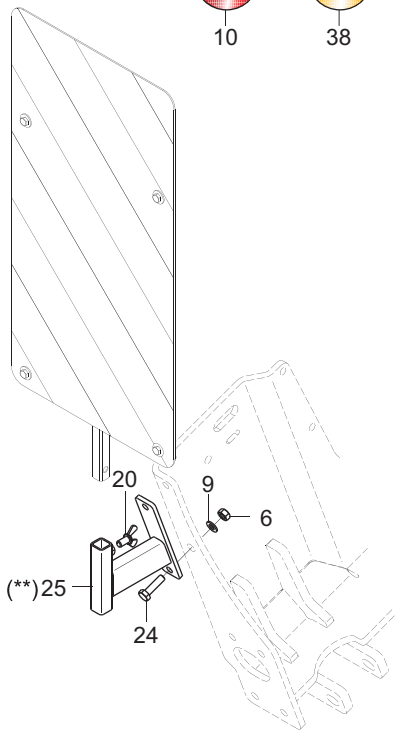
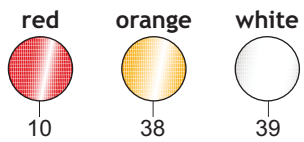
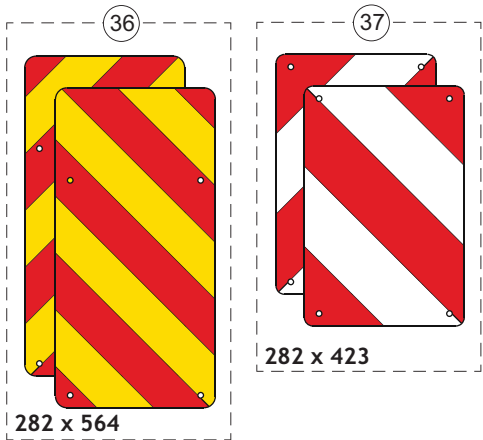


KIT LUCI E TABELLE DI INGOMBRO STRADALE LIGHTING KIT AND WARNING BOARDS

TAV. 400

Pos.	Cod.	Descrizione	Description	Description	Benennung	Descripcion
1	F01200232R	DADO M6X1 U5588 CL8 ZN	NUT M6X1 U5588 6.8ZN	ECROU 6 UNI 5588 6.8 ZN	MUTTER 6 UNI 5588 6.8 ZN	TUERCA 6 UNI 5588 6.8 ZN
2	G15211762R	SUPPORTO LUCI POST.	REAR LIGHT SUPPORT			
3	G13616620R	KIT LUCI PER MACCHINE PORTATE	KIT LIGHTS FREIGHTED MACHINE			
4	G13616570R	PIASTRA SUPPORTO LUCI	LIGHTS PLATE SUPPORT			
5	F01090215R	VITE M8X1,25X15 U5449 5.8ZN	SCR. M8X1,25X15 U5449 5.8ZN	VIS M8X1,25X15 U5449 5.8ZN	SCHRAU. M8X1,25X15 U5449 5.8ZN	TORN. M8X1,25X15 U5449 5.8ZN
6	F01020403R	VITE M6X1X16 U5739 8.8ZN	SCR. M6X1X16 U5739 8.8ZN	VIS M6X1X16 U5739 8.8 ZN	SCHRAUBE M6X1X16 U5739 8.8 ZN	TORNILLO M6X1X16 U5739 8.8 ZN
7	F01220011R	DADO M6X1 D980 8ZN	NUT M6X1 D980 8ZN	ECROU M6X1 D980 8 ZN	MUTTER M6X1 D980 8 ZN	TUERCA M6X1 D980 8 ZN
8	F01410037R	ROS.M6 6,4X12,5X1,6 U6592 ZN	WASHER M6 6,4X12,5X1,6 U6592ZN	RONDEL.M6 6,4X12,5X1,6 U6592ZN	SCHEIB.M6 6,4X12,5X1,6 U6592ZN	ARAND.M6 6,4X12,5X1,6 U6592 ZN
9	F05010221R	CATARIFRANGENTE TONDO D.80	ROUND REFLECTOR D.80			
10	F05010357R	N.2 PANNELLI CARICHI SPORGENTI	N.2 JUTTING LOAD PANELS	N.2 PANNEAUX CHARGES SAILLANT	N.2 TAFELN VORSRINGENDE LADUN	2 PANELES CARGADOS SALIENTES
11	F01420036R	ROS.M6 6,4X 18X1,5 U6593 ZN	WASHER M6 6,4X 18X1,5 U6593 ZN	RONDELLE M6 6,4X18X1,5 U6593ZN	SCHEIBEN M6 6,4X18X1,5U6593 ZN	ARANDELA M6 6,4X18X1,5U6593ZN
12	F05010080R	CABLAGGIO PER KIT LUCI	LIGHT WIRING HARNESS	CABLAGE KIT PHARES	VERKABELUNG LAMPENKIT	CABLEADO JUEGO LUCES
13	G15412651R	TUBO Q. 15X2 X 643 4F6,5 ZN	SQ.PIPE 15X2 X 643 4H6,5 GAL.			
14	F01020408R	VITE M6X1X30 U5739 8.8ZN	SCR. M6X1X30 U5739 8.8ZN	VIS M 6X1X30	SCHRAUBE M 6X1X30	TORNILLO M 6X1X30

TAV. 410



KIT LUCI E TABELLE DI INGOMBRO STRADALE LIGHTING KIT AND WARNING BOARDS

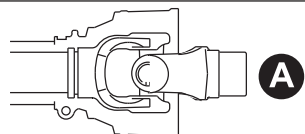
TAV. 410

Pos.	Cod.	Descrizione	Description	Description	Benennung	Description
1	F01020404R	VITE M6X1X20 U5739 8.8ZN	SCREW M6X1X20 U5739 8.8ZN	VIS M6X1X20 U5739 8.8ZN	SCHRAUBE M6X1X20 U5739 8.8ZN	TORNILLO M6X1X20 U5739 8.8ZN
2	F01020411R	VITE M6X1X35 U5739 8.8ZN	SCR. M6X1X35 U5739 8.8ZN	VIS M6X1X35 U5739 8.8ZN	SCHRAUBE M6X1X35 U5739 8.8ZN	TORNILLO M6X1X35 U5739 8.8ZN
3	F01020436R	VITE M8X1,25X20 U5739 8.8ZN	SCR. M8X1,25X20 U5739 8.8ZN	VIS M8X1,25X 20 U5739 8.8 ZN	SCHRAUBE M8X1,25X20U5739 8.8ZN	TORN. M8X1,25X20 U5739 8.8 ZN
4	F01200220R	DADO M5X0,8 U5588 CL8 ZN	NUT M5X0,8 U5588 6.8ZN	ECROU 5 UNI 5588 6.8 ZN	MUTTER 5 UNI 5588 6.8 ZN	TUERCA 5 UNI 5588 6.8 ZN
5	F01200232R	DADO M6X1 U5588 CL8 ZN	NUT M6X1 U5588 6.8ZN	ECROU 6 UNI 5588 6.8 ZN	MUTTER 6 UNI 5588 6.8 ZN	TUERCA 6 UNI 5588 6.8 ZN
6	F01200244R	DADO M8X1,25 U5588 CL8 ZN	NUT M8X1,25 U5588 6.8ZN	ECROU M8 X1,25 U5588 6.8 ZN	MUTTER M8 X1,25 U5588 6.8 ZN	TUERCA M8 X1,25 U5588 6.8 ZN
7	F01410023R	RONDELLA D5 UNI 6592 ZN	WASHER M5 5,3X 10X 1 U6592			
8	F01410037R	ROS.M6 6,4X12,5X1,6 U6592 ZN	WASHER M6 6,4X12,5X1,6 U6592ZN	RONDEL.M6 6,4X12,5X1,6 U6592ZN	SCHEIB.M6 6,4X12,5X1,6 U6592ZN	ARAND.M6 6,4X12,5X1,6 U6592 ZN
9	F01410051R	ROS.M8 8,4X 17X1,6 U6592 ZN	WASHER M8 8,4X17X1,6 U6592 ZN	RONDELLE M8 8,4X17X1,6 ZN	SCHEIBE M8 8,4X17X1,6 U6592 ZN	ARANDELA M8 8,4X17X1,6 U6592ZN
10	F05010820R	CATARIFR.TONDO D60 ROSSO	ROUND REFLECTOR D.60 RED			
11	F05010833R	KIT LUCI POST.STRAD.ECCEZ.	KIT REAR ROAD LIGHTS M.EXCEP.			
12	F20030258R	ETICH. LIMITE VELOCITA 25	SPEED LIMIT 25 LABEL	ETIQ. LIMITATION VITESSE 25	LABEL GRENZDREHZAHL 25	ETIQ. LIMITE VELOCIDAD 25
13	F20030261R	ETICH. LIMITE VELOCITA 40	SPEED LIMIT 40 LABEL			
14	G17715130R	SUPPORTO LAT.CATADIOTRI	REFLECTOR LATERAL SUPPORT			
15	GA5210020R	PORTA LUCE	BACK LIGHT SUPPORT			
16	GA5210030R	PORTA TARGA	NUMBERPLATE SUPPORT			
17	GA5210040R	SUPPORTO LUCE	SUPPORT LIGHT			
18	GA5210060R	SUPPORTO	SUPPORT			
19	GA5210070R	SUPP.LIMITE VELOCIT	SPEED LIMIT SUPPORT			
20	F01090215R	VITE M8X1,25X15 U5449 5.8ZN	SCR. M8X1,25X15 U5449 5.8ZN	VIS M8X1,25X15 U5449 5.8ZN	SCHRAU. M8X1,25X15 U5449 5.8ZN	TORN. M8X1,25X15 U5449 5.8ZN
21	G15211762R	SUPPORTO LUCI POST.	REAR LIGHT SUPPORT			
22	G16611601R	SUPPORTO TABELLE LATERALI	SIDE SUPPORT TABLE			
23	G16611610R	ATTACCO SUPP.LATERALE	SIDE SUPPORT			
24	F01020445R	VITE M8X1,25X30 U5739 8.8ZN	SCR. M8X1,25X30 U5739 8.8ZN	VIS M 8X1,25X30 U5739 8.8 ZN	SCHRAU, M8X1,25X30 U5739 8.8ZN	TORN. M8X1,25X30 U5739 8.8 ZN
25	G16611681R	SUPPORTO TABELLE ANT.MTE-MONIC	SUPP.HIGHWAY TAB.FRONT MTE-MON			
26	G67201083R	FANALE LUCE-FRENO-FRECCIA SX	LIGHT SX			
27	G67201082R	FANALE DX	STOP TABLE RIGHT			
28	F05010346R	LUCE INGOMBRO ANTERIORE SX	FRONT LEFT LIGHT			
29	F05010345R	LUCE INGOMBRO ANTERIORE DX	FRONT LIGHT DX			
30	F05200027R	CABLAGGIO ALI LUCI STRADALI	LATERAL STREET LIGHTS CABLE			
31	F05200026R	CABLAGGIO PRINCIPALE	MAIN CABLE			
32	F01020403R	VITE M6X1X16 U5739 8.8ZN	SCR. M6X1X16 U5739 8.8ZN	VIS M6X1X16 U5739 8.8 ZN	SCHRAUBE M6X1X16 U5739 8.8 ZN	TORNILLO M6X1X16 U5739 8.8 ZN
33	F01220011R	DADO M6X1 D980 8ZN	NUT M6X1 D980 8ZN	ECROU M6X1 D980 8 ZN	MUTTER M6X1 D980 8 ZN	TUERCA M6X1 D980 8 ZN
34	F01420036R	ROS.M6 6,4X 18X1,5 U6593 ZN	WASHER M6 6,4X 18X1,5 U6593 ZN	RONDELLE M6 6,4X18X1,5 U6593ZN	SCHEIBEN M6 6,4X18X1,5U6593 ZN	ARANDELA M6 6,4X18X1,5U6593ZN
35	G16612071R	TELAIO SUPP.TABELLE STRAD.	FRAME SUPPORT TABLE			
36	F05010816R	TABELLE 2 CAR.SPORGENTI IT	WARNING BOARDS 2 IT			
37	F05010817R	TABELLE 2 CAR.SPORGENTI FR-D	WARNING BOARDS 2 FR-DE	TABLEAUX 2 AVERTISSEM. FR-DE	BRETT 2 WARNUNG FR-DE	TABLAS 2 CAR.ADVERT. FR-DE
38	F05010819R	CATARIFR.TONDO D60 GIALLO	ROUND REFLECTOR D.60 YELLOW	JAUNE R FLECTEUR ROUND	RUNDREFLEKTOR GELB D60	REFLECTOR REDONDO AMARILLO
39	F05010818R	CATARIFR.TONDO D60 BIANCO	ROUND REFLECTOR D.60 WHITE			
40	F20030429R	ETICH. LIMITE VELOC.40 FRANCIA	FRANCE SPEED LIMIT 40 LABEL			
41	F20030444R	ETICH. LIMITE VELOC.40 GERMAN	GERMANY SPEED LIMIT 40 LABEL			

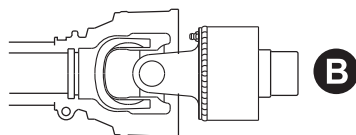
TAV. 420

Codice - Code	Descrizione - Description	Lunghezze Lengths		Classe - Size (A x B)	Tipo - Type (*)		Forcelle - Yokes (**)					Forcelle - Yokes Z6 (1"3/8)
		min.	max.		Z6 (1"3/8)	Z6 (1"3/4)	Z8 (32x38)	Z20 (1"3/4)	Z21 (1"3/8)			
① F08011711	CARD.B1 Z6-Z6 L700	700	960	B1 (22 x 54)	A	A	G58161015 (11)	F08011772 (13)	F08011742 (15)	F08011758 (18)	F08011767 (20)	G58161015 (11)
② F08011713	CARD.B1 Z8-Z6 L700	700	960	B1 (22 x 54)	A	A	G58161015 (11)	F08011772 (13)	F08011742 (15)	F08011758 (18)	F08011767 (20)	G58161015 (11)
③ F08011714	CARD.B1 Z20-Z6 L700	760	1020	B1 (22 x 54)	A	A	G58161015 (11)	F08011772 (13)	F08011742 (15)	F08011758 (18)	F08011767 (20)	G58161015 (11)
④ F08011715	CARD.B1 Z8-Z6 L900 R.LIB	915	1190	B1 (22 x 54)	A	B	G58161015 (11)	F08011772 (13)	F08011742 (15)	F08011758 (18)	F08011767 (20)	—
⑤ F08011716	CARD.B1 Z6-Z6 L900 R.LIB	915	1190	B1 (22 x 54)	A	B	G58161015 (11)	F08011772 (13)	F08011742 (15)	F08011758 (18)	F08011767 (20)	—
⑥ F08011719	CARD.B2 Z6-Z6 L900	900	1300	B2 (23,8 x 61,3)	A	A	—	—	—	—	—	—
⑦ F08011720	CARD.B3 Z8-Z6 L1300	1300	1775	B3 (27 x 74,6)	A	A	G58161016 (14)	—	F08011743 (16)	—	—	G58161016 (14)
⑧ F08011757	CARD.B1 Z20-Z6 L900 R.L	975	1250	B1 (22 x 54)	A	B	G58161015 (11)	F08011772 (13)	F08011742 (15)	F08011758 (18)	F08011767 (20)	—
⑨ F08011764	CARD.R4 Z20-Z6 L1381 OM-RL	1381		R4 (22 x 86)	C	B	F08011768 (12)	—	F08011766 (17)	F08011774 (19)	F08011773 (21)	—
⑩ F08011783	CARD.R4 Z6-Z6 L1565 OM-RL	1565		R4 (22 x 86)	C	B	F08011768 (12)	—	F08011766 (17)	F08011774 (19)	F08011773 (21)	—
⑩ F08011930	CARD.B3 Z6-Z6 L1200	1200	1700	B3 (27 x 70)	A	A	—	G58161016 (14)	F08011743 (16)	—	—	—

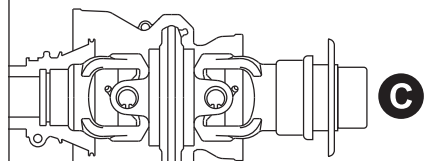
(*)



GIUNTO STANDARD
STANDARD JOINT

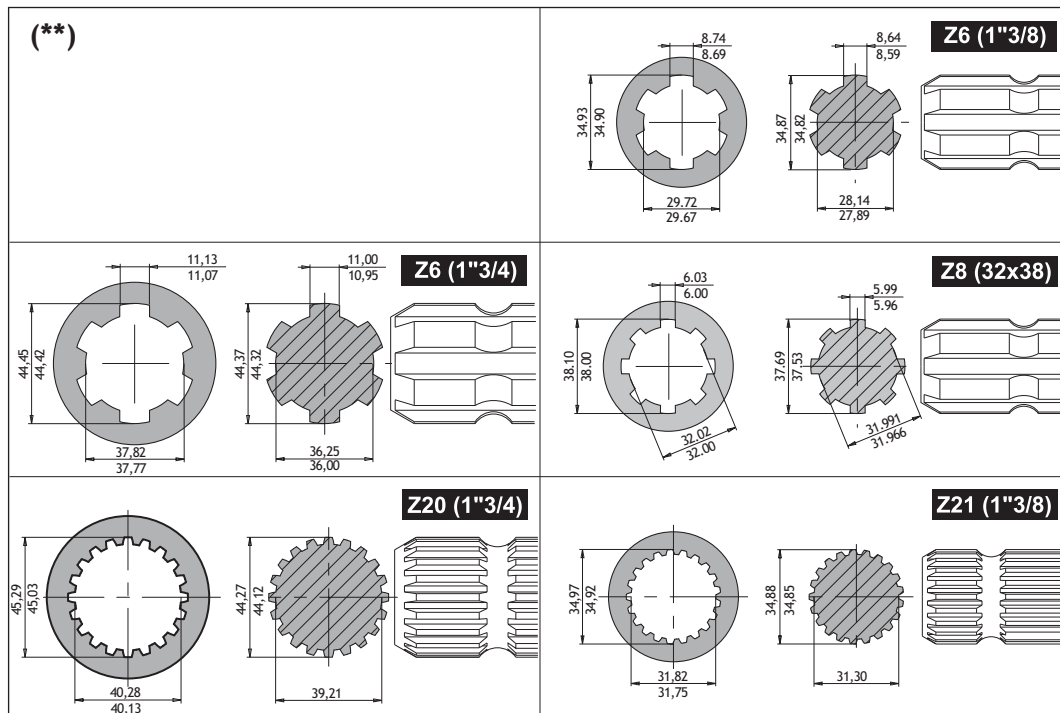


RUOTA LIBERA
OVERRUNNING CLUTCH

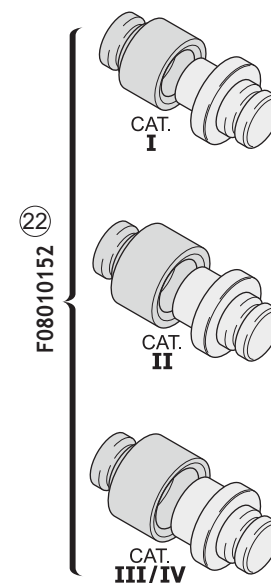


GIUNTO OMOCINETICO
CONSTANT VELOCITY JOINT

(**)



KIT PRESSORE/BUSSOLA
KIT PUNCH/ROOT



CARDANO CARDAN SHAFT

TAV. 420

Pos.	Cod.	Descrizione	Description	Description	Benennung	Descripcion
1	F08011711R	CARD. S10 0700F 112 112 1CAT	PTO SHAFT B1 Z6-Z6 L700			
2	F08011713R	CARD.B1 Z8-Z6 L700	PTO SHAFT B1 Z8-Z6 L700			
3	F08011714R	CARD.B1 Z20-Z6 L700	PTO SHAFT B1 Z20-Z6 L700			
4	F08011715R	CARD.B1 Z8-Z6 L900 R.LIB	CARD.B1 Z8-Z6 L900 FREE W.			
5	F08011716R	CARD.B1 Z6-Z6 L900 R.LIB	UNIV.JOINT B1 Z6-Z6 L900 R.LIB	CARD.B1 Z6-Z6 L900 R.LIB	KARDAN CE T100710 112 R12	CARDAN CE T100710 112 R12
6	F08011719R	CARD.B2 Z6-Z6 L900	UNIVERSAL JOINT 102 071 N T07	CARD. 102 071 N T07 T07 1 CAT	KARDAN 102 071 N T07 T07 1CAT	CARD N 102 071 N T07 T07 1CAT
7	F08011720R	CARD.B3 Z8-Z6 L1300	UNIV.JOINT B3 Z8-Z6 L1300			
8	F08011757R	CARD.B1 Z20-Z6 L900 R.L	UNIVERSAL JOINTB1 Z20-Z6 L900			
9	F08011764R	CARDANO OM 3 4Z20-RL Z6 L1381	CARD.R4 Z20-Z6 L1381 OM-RL			
10	F08011930R	CARD.B3 Z6-Z6 L1200	PTO SHAFT B3 Z6-Z6 L1200			
11	G58161015R	FORCELLA CARD.1 3 8 Z6 B1	CARD. FORK 1 3 8 Z6 B1			
12	F08011768R	FORCELLA CARD.1 3 8 Z6 R4	FORK 1 3 8 Z6 R4			
13	F08011772R	FORCELLA CARD.1 3 4 Z6 B1	YOKE 1 3 4 Z6 B1			
14	G58161016R	FORCELLA CARD.1 3 8 Z6 B3	CARD.FORK 1 3 8 Z6 B3			
15	F08011742R	FORCELLA CARD.32X38 Z8 B1	YOKE CARD.32X38 Z8 B1	FOURCHETTE CARDAN Z8 B1	GABEL KARDAN Z8 B1	HORQUILLA CARDAN Z8 B1
16	F08011743R	FORCELLA CARD.32X38 Z8 B3	YOKE CARD.32X38 Z8 B3			
17	F08011766R	FORCELLA CARD.32X38 Z8 R4	FORK 32X38 Z8 R4			
18	F08011758R	FORCELLA CARD.1 3 4 Z20 B1	CARD.FORK 1 3 4 Z20 B1			
19	F08011774R	FORCELLA CARD.1 3 4 Z20 R4	CARD. FORK 1 3 4 Z20 R4			
20	F08011767R	FORCELLA CARD.1 3 8 Z21 B1	CARD.FORK 1 3 8 Z21 B1			
21	F08011773R	FORCELLA CARD.1 3 8 Z21 R4	FORK 1 3 8 Z21 R4			
22	F08010152R	KIT PRESSORE BUSSOLA CAT I-IV	TOOLS FOR PTO YOKE CAT I-IV			
23	F08011783R	CARD.R4 Z6-Z6 L1565 OM-RL	UNIV. PTO SHAFT R4 Z6-Z6 L1210			

**USATE SEMPRE RICAMBI ORIGINALI
ALWAYS USE ORIGINAL SPARE PARTS
IMMER DIE ORIGINAL-ERSATZTEILE VERWENDEN
EMPLOYEZ TOUJOURS LES PIECES DE RECHANGE ORIGINALES
UTILIZAR SIEMPRE REPUESTOS ORIGINALES**

GASPARDO

Servizio Assistenza Tecnica - After Sales Service

Servizio Ricambi - Spare Parts Service



maschio.com

DEALER:



MASCHIO GASPARDO SpA

Registered office & Production plant
Via Marcello, 73 - 35011 Campodarsego (Padova) - Italy
Tel. +39 049 9289810
Fax +39 049 9289900
info@maschio.com
www.maschionet.com

**MASCHIO GASPARDO SpA
Production plant**

Via Mussons, 7 - 33075 Morsano al Tagliamento (PN) - Italy
Tel. +39 0434 695410
Fax +39 0434 695425
info@gaspardo.it

MASCHIO DEUTSCHLAND GMBH

Äußere Nürnberger Straße 5
D - 91177 Thalmässing - Deutschland
Tel. +49 (0) 9173 79000
Fax +49 (0) 9173 790079
dialog@maschio.de
www.maschio.de

MASCHIO-GASPARDO North America

112 3rd Avenue East
Dewitt, IA 52742 - USA
Ph. +1 563 659 6400
Fax +1 563 659 6405
info@maschio.us

MASCHIO FRANCE Sarl

Rue Denis Papin ZA
F - 45240 La Ferté St. Aubin
France
Tel. +33 (0) 2.38.64.12.12
Fax +33 (0) 2.38.64.66.79
info@maschio.fr

MASCHIO-GASPARDO ROMANIA S.R.L.

Strada Înfrâritirii, F.N.
315100 Chisineu-Cris (Arad) -România
Tel. +40 257 307030
Fax +40 257 307040
info@maschio.ro

000 MASCHIO-GASPARDO РУССИЯ

Улица Пушкина, 117 Б
404130 Волжский
Волгоградская область
Тел. +7 8443 203100
факс. +7 8443 203101
info@maschio.ru

**MASCHIO-GASPARDO IBERICA
MASCHIO-GASPARDO POLAND
MASCHIO-GASPARDO UCRAINA
GASPARDO-MASCHIO TURCHIA
MASCHIO-GASPARDO CINA
MASCHIO-GASPARDO INDIA**