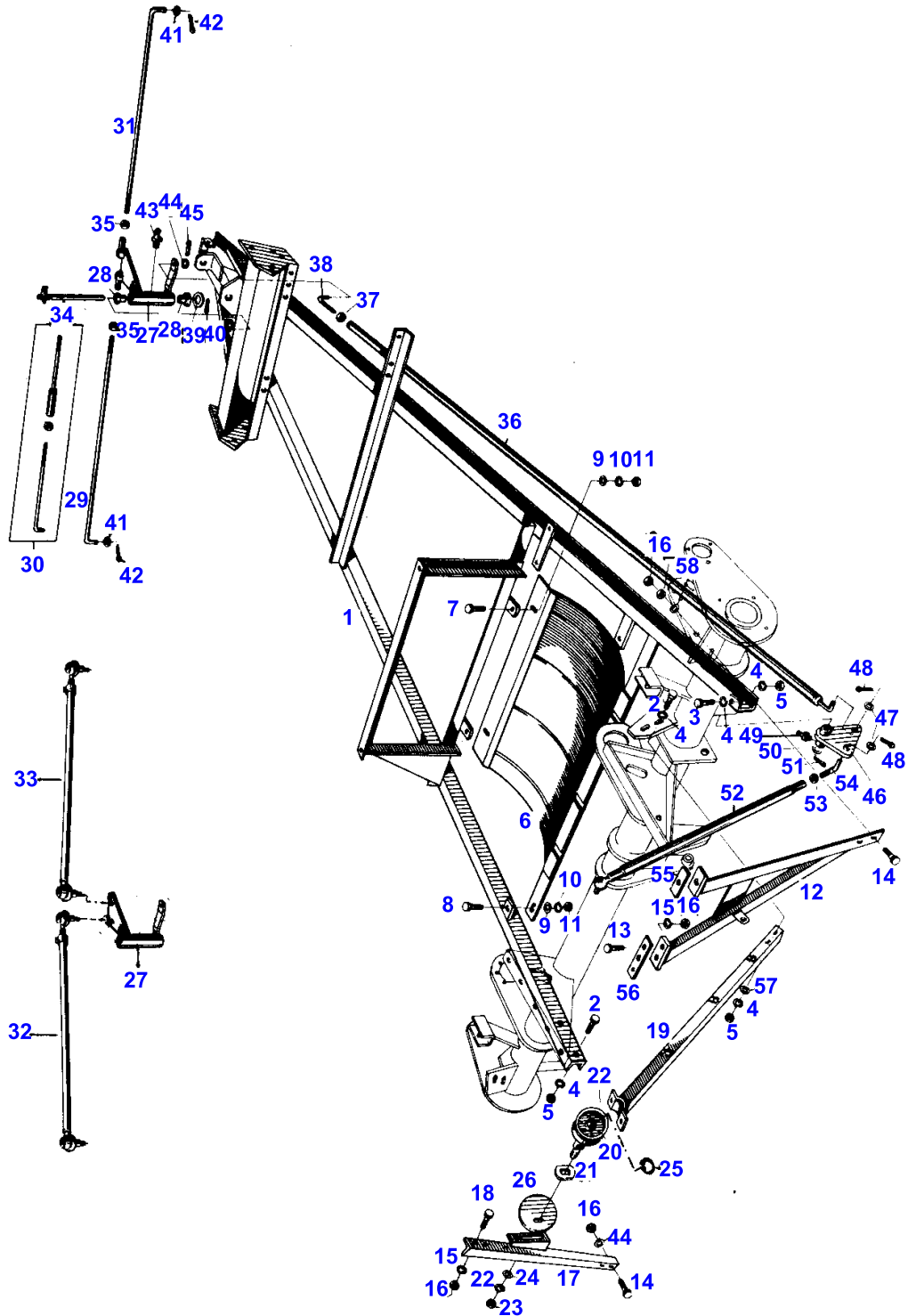


10-1

FAHRGESTELL UND
LENKGESTÄNGE

CHASSIS AND
STEERING CARRIAGE

CHASSIS ET
TIGES DE DIRECTION



Mähdrescher MF 31

415 718 M2 (Ausgabe 2) 1/75

**MASSEY FERGUSON
MF 31 COMBINE - 415718**

415718

10-1

CHASSIS AND STEERING CARRIAGE

| Item | Part Number | Qty | Description | Comments |
|------|-------------|-----|---------------|----------------------|
| 1 | 410445M92 | 1 | Chassis | (G, H) |
| | 416313M91 | 1 | Chassis | (J) |
| 2 | 339401X1 | 6 | Screw Metric | |
| 3 | 339451X1 | 2 | Screw Metric | |
| 4 | 339376X1 | 16 | Lock Washer | |
| 5 | 339402X1 | 8 | Nut Metric | |
| 6 | 410507M91 | 1 | Guard | |
| 7 | 339123X1 | 2 | Screw Metric | |
| 8 | 339337X1 | 1 | Screw Metric | |
| 9 | 339024X1 | 4 | Washer Metric | |
| 10 | 339374X1 | 4 | Lock Washer | |
| 11 | 339169X1 | 4 | Nut Metric | |
| 12 | 410511M91 | 1 | Angle | (C) |
| | 414518M91 | 1 | Angle | (D, K) |
| | 417294M91 | 1 | Angle | (L) |
| 13 | 339299X1 | 3 | Screw Metric | |
| 14 | 391375X1 | 4 | Screw Metric | |
| 15 | 339369X1 | 7 | Lock Washer | |
| 16 | 339054X1 | 13 | Nut Metric | |
| 17 | 410866M91 | 1 | Brace | (H) Right Hand |
| | 416315M91 | 1 | Brace | (J) Right Hand |
| 18 | 339020X1 | 2 | Bolt Metric | |
| 19 | 410536M91 | 1 | Brace | Left Hand |
| 20 | 416580M91 | 1 | Pulley | |
| 21 | 416584M1 | 1 | Washer | |
| 22 | 339380X1 | 1 | Washer | |
| 23 | 339070X1 | 1 | Nut | |
| 24 | 339072X1 | 1 | Washer | |
| 25 | 391062X1 | 1 | Segment | (E) |
| 26 | 410868M2 | 1 | Disc | |
| 27 | 417590M91 | 1 | Lever | (M) |
| | 1724575M91 | 1 | Lever | (N, O, P) |
| 28 | 320222M1 | 2 | Bush | |
| 29 | 324377M2 | 1 | Bar | (A) Right Hand |
| 30 | | 1 | Rod | (B, F) Left Hand |
| | | 1 | Rod | (B, F) Right Hand |
| 31 | 324381M1 | 1 | Bar | (M) Left Hand |
| 32 | 1724578M1 | 1 | Rod | (N) Right Hand |
| | 390759X1 | 2 | Nut Metric | (N) |
| | 339580X1 | 2 | Pin | (N) |
| | 339580X1 | 2 | Pin | (N) |
| 33 | 1724581M1 | 1 | Rod | (N) Left Hand |
| | 390759X1 | 2 | Nut Metric | (N) |
| | 339580X1 | 2 | Pin | (N) |
| 34 | 320528M91 | 1 | Clevis Pin | |
| 35 | 339571X1 | 2 | Nut Metric | (M) |
| 36 | 410562M91 | 1 | Stem | (M) |
| | 1724572M91 | 1 | Rod | (N, O) |
| 37 | 339571 | 1 | Nut | (M) |
| 38 | 324386M1 | 1 | Stub | (M) |
| | 1442089X1 | 2 | Ball | (N) |
| | 390759X1 | 2 | Nut Metric | (N) |
| | 339580X1 | 2 | Pin | (N) |
| 39 | 339300X1 | 1 | Washer Metric | |
| 40 | 339058X1 | 1 | Pin | (M) |
| 41 | 339300X1 | 2 | Washer Metric | (M) |
| 42 | 339058X1 | 2 | Pin | (M) |
| 43 | 339003X1 | 1 | Greaser | |
| 44 | 339300X1 | 1 | Washer Metric | (M) |
| 45 | 339058X1 | 1 | Pin | (M) |
| 46 | 410564M91 | 1 | Lever | (M) |
| | 1724570M91 | 1 | Lever | (N) |

CHASSIS AND STEERING CARRIAGE

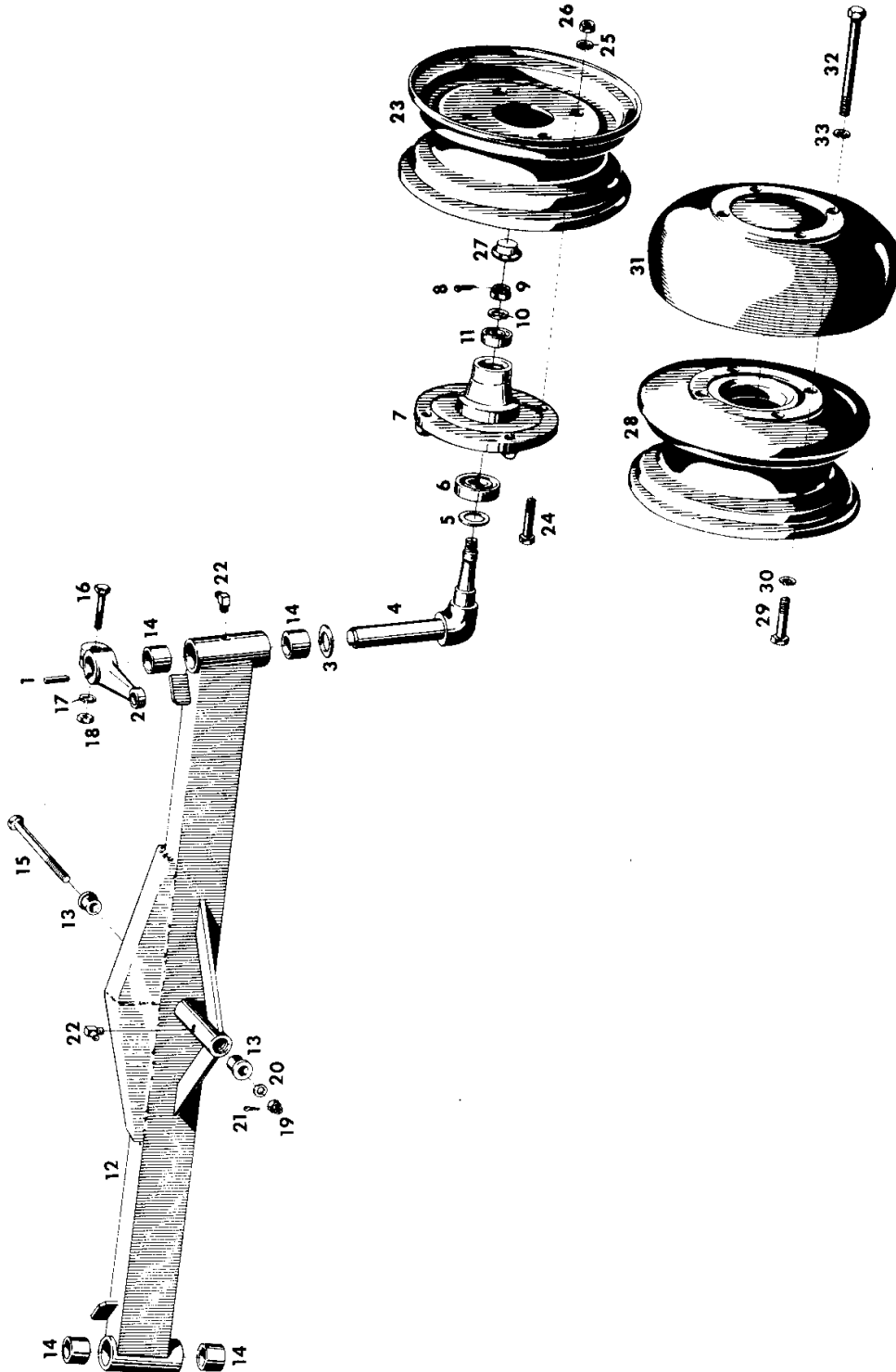
| Item | Part Number | Qty | Description | Comments |
|------|-------------|-----|---------------|--|
| 47 | 339300X1 | 2 | Washer Metric | (N) |
| 48 | 339058X1 | 2 | Pin | (M) |
| 49 | 339003X1 | 1 | Greaser | |
| 50 | 339328X1 | 1 | Washer | |
| 51 | 339133X1 | 1 | Pin | |
| 52 | 410567M1 | 1 | Stem | (M) |
| | 1724567M1 | 1 | Rod | (N) |
| 53 | 339571X1 | 1 | Nut Metric | (M) |
| 54 | 410568M1 | 1 | Stub | (M) |
| | 1442089X1 | 2 | Ball | (N) |
| | 390579X1 | 2 | Washer | (N) |
| | 339580X1 | 2 | Pin | (N) |
| 55 | 411464M1 | 1 | Shim | |
| 56 | 411465M1 | 1 | Shim | |
| 57 | 339025X1 | 2 | Washer Metric | |
| 58 | 339795X1 | 4 | Washer Metric | |
| | | | | (A) |
| | | | | From Serial or Engine Number 2918 |
| | | | | (B) |
| | | | | Up to Serial or Engine Number 2917 |
| | | | | (C) |
| | | | | WITH TYRES 9-24 AND 10-24 |
| | | | | (D) |
| | | | | WITH TYRES 14, 5-20 |
| | | | | (E) |
| | | | | Up to Serial or Engine Number 6914 |
| | | | | (F) |
| | | | | Not serviced, order 324377M2 |
| | | | | (G) |
| | | | | Up to Serial or Engine Number 4634 |
| | | | | Not serviced, order 391150X1, 390973X1 |
| | | | | 391151X1 AND 11483X |
| | | | | (H) |
| | | | | Up to Serial or Engine Number 6264 |
| | | | | (J) |
| | | | | From Serial or Engine Number 6265 |
| | | | | (K) |
| | | | | Up to Serial or Engine Number 8109 |
| | | | | (L) |
| | | | | From Serial or Engine Number 8110 |
| | | | | (M) |
| | | | | Up to Serial or Engine Number |
| | | | | (N) |
| | | | | From Serial or Engine Number |
| | | | | (O) |
| | | | | FOR ROD, CONNECTING WITH BALL, JOINT |
| | | | | (P) |
| | | | | FOR ROD WITH BALL, JOINT |

10-2

HINTERACHSE

REAR AXLE

PONT AR



Mährescher MF 31

415 718 M2 (Ausgabe 1) 12/70

REAR AXLE

| Item | Part Number | Qty | Description | Comments |
|------|-------------|-----|---------------|------------|
| 1 | 390150X1 | 2 | Key | |
| 2 | 410881M1 | 2 | Lever | (G) |
| | 1724584M1 | 2 | Lever | (H, I) |
| 3 | 410876M1 | 2 | Washer | |
| 4 | 410877M92 | 1 | Spindle | Left Hand |
| | 410880M92 | 1 | Spindle | Right Hand |
| 5 | 321659M1 | 2 | Washer | |
| 6 | 1440495X1 | 2 | Bearing Ball | |
| 7 | 410875M1 | 2 | Hub | (C) |
| | 416120M1 | 2 | Hub | (D) |
| 8 | 339058X1 | 2 | Pin | |
| 9 | 390763X1 | 2 | Nut | |
| 10 | 339027X1 | 2 | Washer Metric | |
| 11 | 339073X1 | 2 | Bearing Ball | |
| 12 | 410869M92 | 1 | Bridge | |
| 13 | 320222M1 | 2 | Bush | |
| 14 | 1706544M1 | 4 | Bush | |
| 15 | 4110882M91 | 1 | Pin | (A) |
| | 391150X1 | 1 | Bolt | (B) |
| 16 | 339556X1 | 2 | Bolt Metric | |
| 17 | 339376X1 | 2 | Lock Washer | |
| 18 | 339402X1 | 2 | Nut Metric | |
| 19 | 339196X1 | 1 | Nut Metric | (A) |
| | 391151X1 | 1 | Nut Metric | (B) |
| 20 | 339615X1 | X | Washer Metric | (A) |
| | 390973X1 | X | Washer Metric | (B) |
| | 391472X1 | X | Washer Metric | |
| 21 | 339129X1 | 1 | Pin | (A) |
| | 339747X1 | 1 | Pin | (B) |
| 22 | 339004X1 | 3 | Greaser | |
| 23 | 410941M1 | 2 | Rim | (E) |
| | 417212M1 | 2 | Wheel | (F) |
| 24 | 391375X1 | 8 | Screw Metric | (E) |
| 25 | 339369X1 | 8 | Lock Washer | (E) |
| 26 | 339054X1 | 8 | Nut Metric | (E) |
| 27 | 320225M2 | 2 | Cap | (C, E) |
| | 416121M1 | 2 | Cap | (D, E) |
| | 11517162 | 1 | Weight | (F) |
| 28 | 410885M1 | 2 | Rim | |
| 29 | 390912X1 | 8 | Screw Metric | |
| 30 | 339369X1 | 8 | Lock Washer | |
| 31 | 410884M1 | 2 | Weight | |
| 32 | 390806X1 | 8 | Bolt Metric | |
| 33 | 339369X1 | 8 | Lock Washer | |

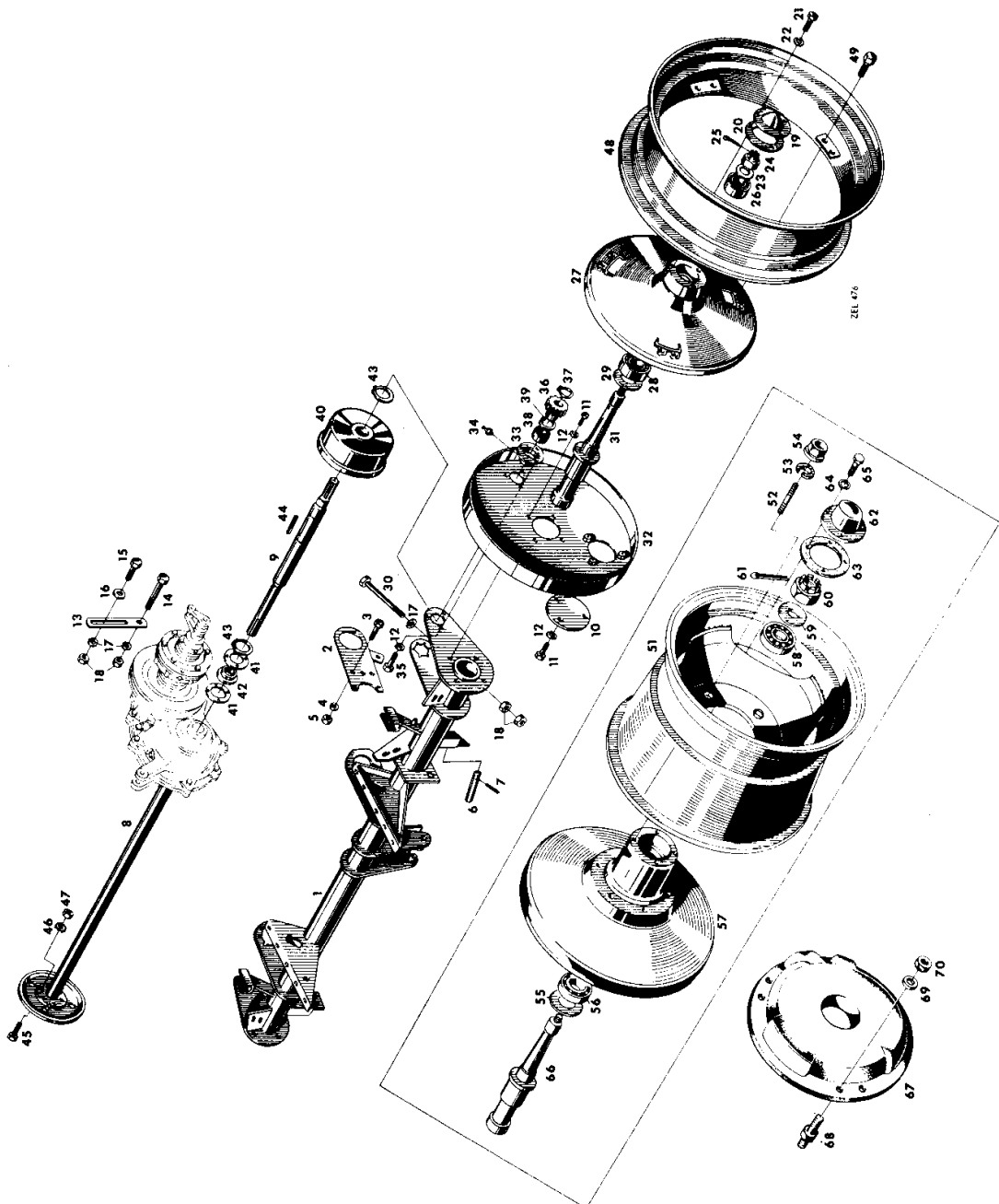
(A)
Up to Serial or Engine Number 4634
(B)
From Serial or Engine Number 4635
(C)
Up to Serial or Engine Number 5780
(D)
From Serial or Engine Number 5781
(E)
FOR COMBINES WITH PRESS
(F)
BRAZIL ONLY
(G)
Up to Serial or Engine Number
(H)
From Serial or Engine Number
(I)
FOR ROD WITH BALL, JOINT

10-3

VORDERACHSE
bis Serien-Nr. 6264

FRONT AXLE
up to No. 6264

PONT AV
jusqu' au No. 6264



Mährescher MF 31

415 718 M2 (Ausgabe 1) 12/70

FRONT AXLE

| Item | Part Number | Qty | Description | Comments |
|------|-------------|-----|---------------|------------------------------------|
| | | | | Up to Serial or Engine Number 6264 |
| 1 | 410960M91 | 1 | Axle | (A) |
| | 414513M91 | 1 | Axle | (B, C) |
| 2 | | 1 | Plate | |
| 3 | 339401X1 | 3 | Screw Metric | |
| 4 | 339376X1 | 3 | Lock Washer | |
| 5 | 339402X1 | 3 | Nut Metric | |
| 6 | 410982M1 | 1 | Pin | |
| 7 | 339783X1 | 1 | Pin | |
| 8 | 323238M3 | 1 | Shaft | Right Hand |
| 9 | 411194M1 | 1 | Shaft | (A) Left Hand |
| | 414515M1 | 1 | Shaft | (B) Left Hand |
| 10 | 320288M1 | 2 | Plate | |
| 11 | 339228X1 | 14 | Screw Metric | |
| 12 | 339374X1 | 20 | Lock Washer | |
| 13 | 411195M1 | 1 | Bracket | |
| 14 | 339208X1 | 1 | Screw | |
| 15 | 339299X1 | 1 | Screw Metric | |
| 16 | 339026X1 | 1 | Washer Metric | |
| 17 | 339639X1 | 2 | Screw | |
| 18 | 339054X1 | 4 | Nut Metric | |
| | 339186X1 | 2 | Nut Metric | (B) |
| 19 | 323253M2 | 2 | Cap | |
| 20 | 323254M1 | 2 | Gasket | |
| 21 | 339560X1 | 6 | Screw Metric | |
| 22 | 339375X1 | 6 | Lock Washer | |
| 23 | 323255M3 | 2 | Washer | |
| 24 | 339046X1 | 2 | Nut Metric | |
| 25 | 391407X1 | 2 | Pin | |
| 26 | 339393X1 | 2 | Bearing | |
| 27 | 324538M3 | 2 | Disc | |
| 28 | 339394X1 | 2 | Bearing Assy | |
| 29 | 323256M2 | 2 | Washer | |
| 30 | 390826X1 | 2 | Bolt Metric | |
| 31 | 323491M3 | 2 | Axle | |
| 32 | 320285M91 | 1 | Shield | Left Hand |
| | 320287M91 | 1 | Disc | Right Hand |
| 33 | 320264M1 | 2 | Housing | |
| 34 | 339003X1 | 2 | Greaser | |
| 35 | 339123X1 | 6 | Screw Metric | |
| 36 | 324540M2 | 2 | Pinion | Number of teeth/spines 12 |
| 37 | 1440476X1 | 2 | Circlip | |
| 38 | 1440491X1 | 2 | Bearing Ball | |
| 39 | 339126X1 | 2 | Circlip | |
| 40 | | 2 | Brake | See Page - Reference Number 19-2 |
| 41 | 411196M1 | 4 | Washer | |
| 42 | 411197M1 | 2 | Ring | |
| 43 | 339438X1 | 4 | Ring | |
| 44 | 339474X1 | 2 | Key Door | |
| 45 | 339761X1 | 16 | Screw Metric | |
| 46 | 339585X1 | 16 | Washer | |
| 47 | 339169X1 | 16 | Nut Metric | |
| 48 | 411190M91 | 2 | Rim | FOR TYRES 9-24 |
| | 411192M91 | 2 | Rim | FOR TYRES 10-24 |
| 49 | 322761M1 | 12 | Bolt | |
| 50 | 339186X1 | 2 | Nut Metric | |
| 51 | 411476M2 | 2 | Wheel | (B) |
| 52 | 390851X1 | 12 | Stud | (B) |
| 53 | 339448X1 | 12 | Washer | (B) |
| 54 | 339447X1 | 12 | Nut Metric | (B) |
| 55 | 411480M1 | 2 | Washer | (B) |
| 56 | 390859X1 | 2 | Bearing | (B) |
| 57 | 411475M2 | 2 | Disc | (B) |
| 58 | 339440X1 | 2 | Bearing | (B) |
| 59 | 339213X1 | 2 | Washer Metric | (B) |
| 60 | 390761X1 | 2 | Nut Metric | (B) |
| 61 | 339040X1 | 2 | Pin | (B) |
| 62 | 401018M2 | 2 | Cap | (B) |

FRONT AXLE

| Item | Part Number | Qty | Description | Comments |
|-------------|--------------------|------------|--------------------|-----------------|
| 63 | 401044M1 | 2 | Joint | (B) |
| 64 | 339375X1 | 8 | Lock Washer | (B) |
| 65 | 339560X1 | 8 | Screw Metric | (B) |
| 66 | 411479M1 | 2 | Stub Axle | (B) |
| 67 | 323460M2 | 1 | Weight | Right Hand |
| 68 | 323461M2 | 6 | Bolt | |
| 69 | 339072X1 | 6 | Washer | |
| 70 | 339079X1 | 6 | Nut | |

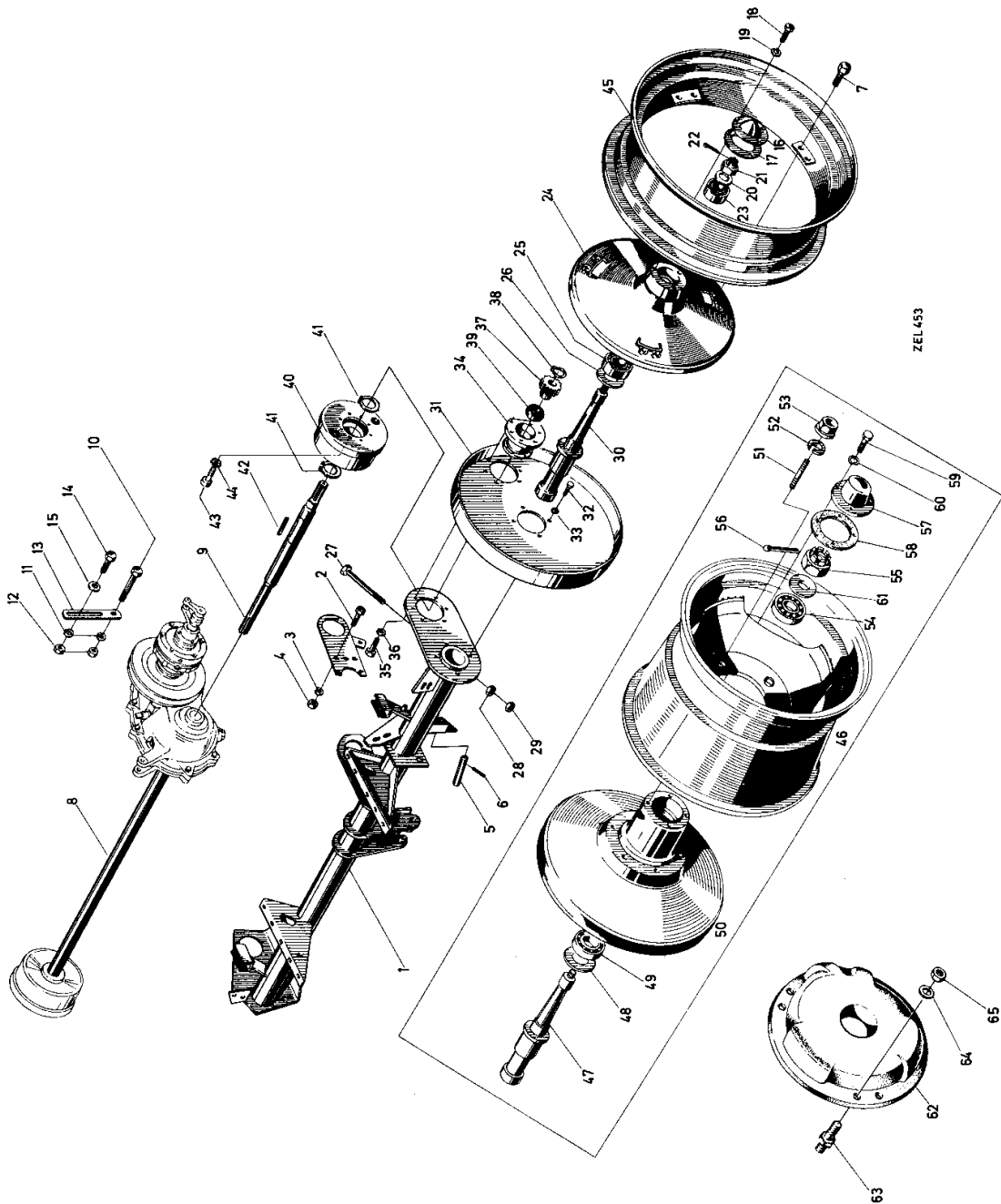
(A)
WITH TYRES 9-24 AND 10-24
(B)
WITH TYRES 14, 5-20
(C)
NOT SERVICED SEPARATELY.

10-4

VORDERACHSE
ab Serien-Nr. 6265

FRONT AXLE
from No. 6265

PONT AV
à partir du No. 6265



Mähdrösch MF 31

415 718 M2 (Ausgabe 1) 12/70

FRONT AXLE

| Item | Part Number | Qty | Description | Comments |
|------|-------------|-----|---------------|-----------------------------------|
| | | | | From Serial or Engine Number 6265 |
| 1 | 416301M91 | 1 | Axle | |
| 2 | 339401X1 | 3 | Screw Metric | |
| 3 | 339376X1 | 3 | Lock Washer | |
| 4 | 339402X1 | 3 | Nut Metric | |
| 5 | 410982M1 | 1 | Pin | |
| 6 | 339783X1 | 1 | Pin | |
| 7 | 322761M1 | 12 | Bolt | |
| 8 | 416306M1 | 1 | Shaft | Right Hand |
| 9 | 416307M1 | 1 | Shaft | Left Hand |
| 10 | 339208X1 | 1 | Screw | |
| 11 | 339369X1 | 2 | Lock Washer | |
| 12 | 339054X1 | 2 | Nut Metric | |
| 13 | 411195M1 | 1 | Bracket | |
| 14 | 339299X1 | 1 | Screw Metric | |
| 15 | 339026X1 | 1 | Washer Metric | |
| 16 | 323253M2 | 2 | Cap | |
| 17 | 323254M1 | 2 | Gasket | |
| 18 | 339560X1 | 6 | Screw Metric | |
| 19 | 339375X1 | 6 | Lock Washer | |
| 20 | 323255M3 | 2 | Washer | |
| 21 | 339046X1 | 2 | Nut Metric | |
| 22 | 391407X1 | 2 | Pin | |
| 23 | 339393X1 | 2 | Bearing | |
| 24 | 324538M3 | 2 | Disc | |
| 25 | 391310X1 | 2 | Bearing | |
| 26 | 416308M1 | 2 | Washer | |
| 27 | 390826X1 | 2 | Bolt Metric | |
| 28 | 339186X1 | 2 | Nut Metric | |
| 29 | 339054X1 | 2 | Nut Metric | |
| 30 | 416312M1 | 2 | Spindle | |
| 31 | 416309M1 | 2 | Disc | |
| 32 | 339228X1 | 8 | Screw Metric | |
| 33 | 339374X1 | 8 | Lock Washer | |
| 34 | 416310M1 | 2 | Housing | |
| 35 | 390991X1 | 12 | Bolt Metric | |
| 36 | 339374X1 | 12 | Lock Washer | |
| 37 | 416311M1 | 2 | Pinion | Number of teeth/spines 12 |
| 38 | 1440477X1 | 2 | Circlip | |
| 39 | 415331M1 | 2 | Bearing | |
| 40 | | 2 | Brake | (A) |
| 41 | 339438X1 | 4 | Ring | |
| 42 | 339474X1 | 2 | Key Door | |
| 43 | 391148X1 | 16 | Screw Metric | |
| 44 | 339585X1 | 16 | Washer | |
| 45 | 411190M91 | 2 | Rim | FOR TYRES 9-24 |
| | 411192M91 | 2 | Rim | FOR TYRES 10-24 |
| 46 | 411476M2 | 2 | Wheel | (B) |
| 47 | 411479M1 | 2 | Axle | (B) |
| 48 | 411480M1 | 2 | Washer | (B) |
| 49 | 390859X1 | 2 | Bearing | (B) |
| 50 | 411475M2 | 2 | Disc | (B) |
| 51 | 390851X1 | 12 | Stud | (B) |
| 52 | 339448X1 | 12 | Washer | (B) |
| 53 | 339447X1 | 12 | Nut Metric | (B) |
| 54 | 339440X1 | 2 | Bearing | (B) |
| 55 | 390761X1 | 2 | Nut Metric | (B) |
| 56 | 339040X1 | 2 | Pin | (B) |
| 57 | 401018M2 | 2 | Cap | (B) |
| 58 | 401044M1 | 2 | Joint | (B) |
| 59 | 339560X1 | 8 | Screw Metric | (B) |
| 60 | 339375X1 | 8 | Lock Washer | (B) |
| 61 | 391309X1 | 2 | Washer Metric | (B) |
| 62 | 323460M2 | 1 | Weight | |
| 63 | 323461M2 | 6 | Bolt | |
| 64 | 339072X1 | 6 | Washer | |
| 65 | 339079X1 | 6 | Nut | |

(A)
 See Page - Reference Number 19-2
 (B)

MASSEY FERGUSON
MF 31 COMBINE - 415718

415718

FRONT AXLE

10-4

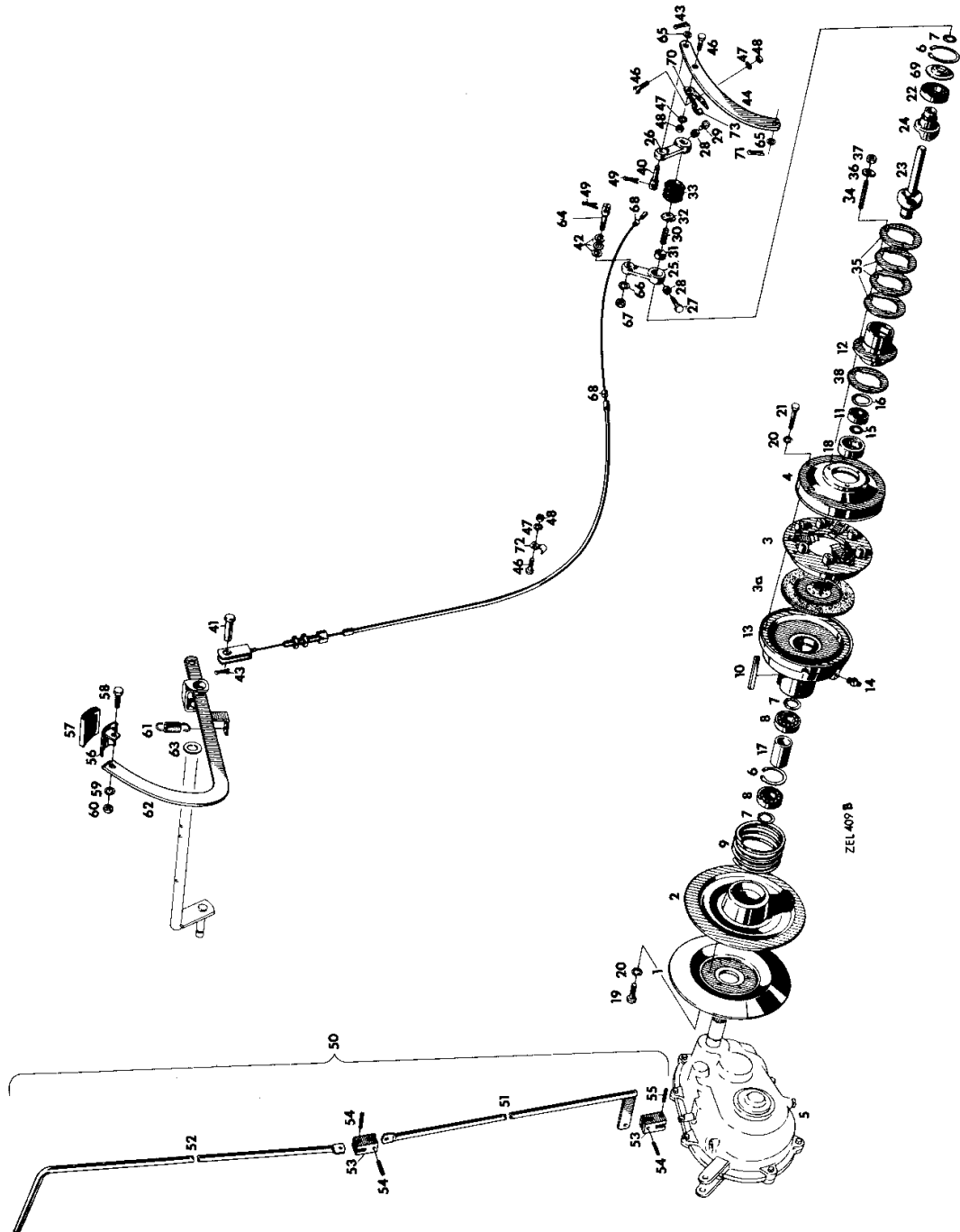
| Item | Part Number | Qty | Description | Comments |
|------|-------------|-----|-------------|---------------------|
| | | | | WITH TYRES 14, 5-20 |

10-5

KUPPLUNG

CLUTCH

EMBRAYAGE



Mährescher MF 31

415 718 M2 (Ausgabe 1) 12/70

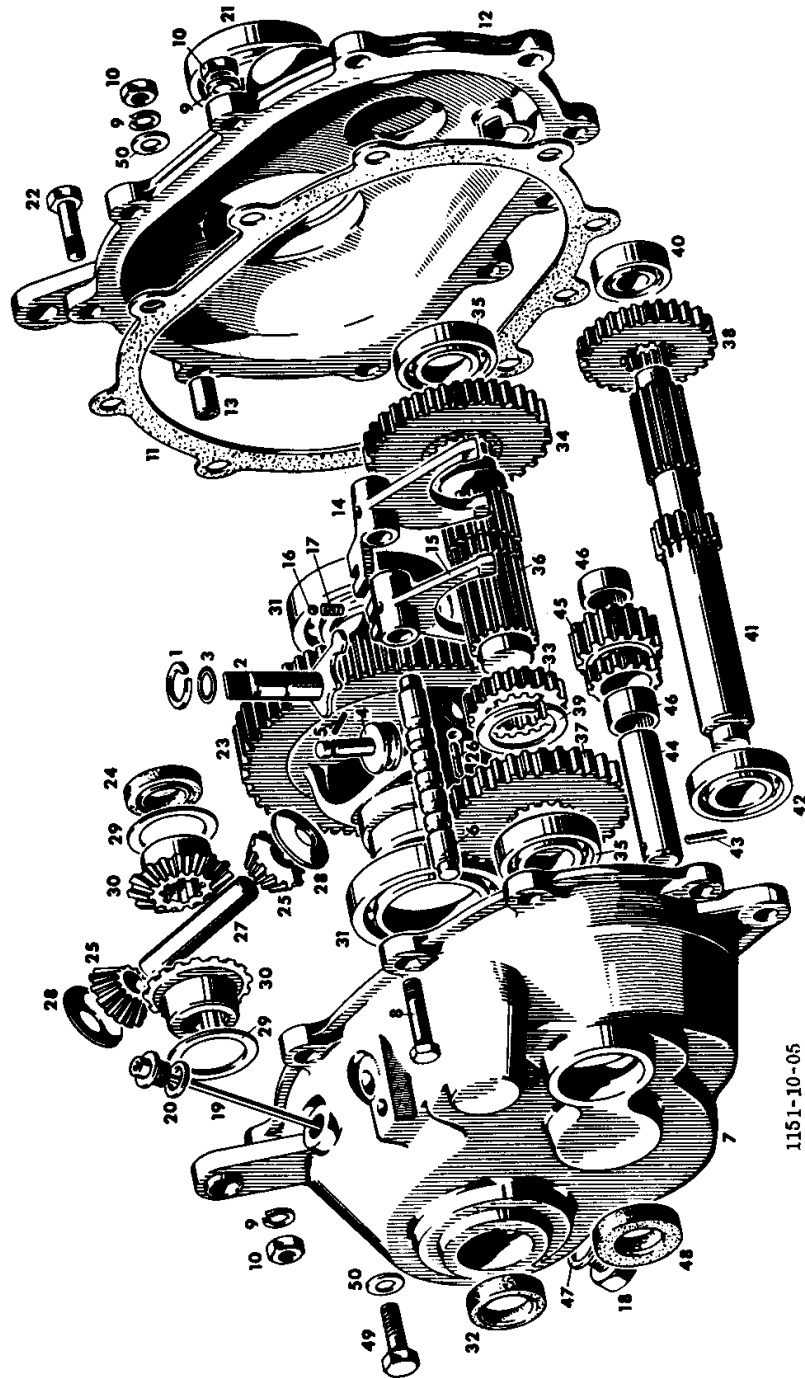
CLUTCH

| Item | Part Number | Qty | Description | Comments |
|------|-------------|-----|---------------|----------------------------------|
| 1 | 411233M1 | 1 | Disc | Right Hand |
| 2 | 411234M1 | 1 | Disc | Left Hand |
| 3 | 417541M1 | 1 | Plate | |
| | 1700850M1 | 1 | Plate | |
| | 1700851M1 | 6 | Spring | |
| | 1700852M1 | 3 | Lever | |
| | 1700853M1 | 3 | Bolt | |
| | 1700854M1 | 6 | Race | |
| | 1700855M1 | 3 | Nut | |
| | 1700856M1 | 3 | Bail | |
| | 1700857M1 | 3 | Spring | |
| | 1700858M1 | 1 | Plate | |
| | 1700843M1 | 6 | Rivet | |
| | 1700859M1 | 3 | Angle | |
| 3A | 417540M1 | 1 | Disc | |
| | 1700854M1 | 12 | Race | |
| | 1700861M1 | 2 | Facing | |
| 4 | 411279M2 | 1 | Cover | |
| 5 | 410715M91 | 1 | Gearbox | See Page - Reference Number 10-5 |
| 6 | 390942X1 | 2 | Circlip | |
| 7 | 390939X1 | 3 | Segment | |
| 8 | 390795X1 | 2 | Bearing Ball | (A) |
| | 390941X1 | 2 | Bearing Ball | (B) |
| 9 | 1706043M1 | 1 | Spring | |
| 10 | 410739M1 | 1 | Key Door | |
| 11 | 339892X1 | 1 | Bearing Ball | (A) |
| | 391057X1 | 1 | Bearing Ball | (B) |
| 12 | 411298M2 | 1 | Hub | (B) |
| | 414467M91 | 1 | Hub | (A) |
| | | | | INCL. 6, 7, AND 69 |
| 13 | 411236M92 | 1 | Disc | |
| 14 | 390843X1 | 1 | Nipple | |
| 15 | 390310X1 | 1 | Circlip | |
| 16 | 339895X1 | 1 | Ring | |
| 17 | 1706448M1 | 1 | Bush | |
| 18 | 411297M1 | 1 | Bush | |
| 19 | 339761X1 | 6 | Screw Metric | |
| 20 | 339374X1 | 12 | Lock Washer | |
| 21 | 339168X1 | 6 | Bolt Metric | |
| 22 | 390795X1 | 1 | Bearing Ball | (A) |
| | 390941X1 | 1 | Bearing Ball | (B) |
| 23 | 410741M92 | 1 | Bolt | |
| 24 | 410744M1 | 1 | Lever | |
| 25 | 410745M1 | 1 | Lever | |
| 26 | 410746M1 | 1 | Lever | |
| 27 | 339744X1 | 2 | Bolt | |
| 28 | 339030X1 | 4 | Nut Metric | |
| 29 | 390794X1 | 2 | Bolt | |
| 30 | 1706010M1 | 1 | Spring | |
| 31 | 410848M1 | 1 | Bush | |
| 32 | 410849M1 | 1 | Washer | |
| 33 | 410850M1 | 1 | Sleeve | |
| 34 | 390844X1 | 3 | Stud | |
| 35 | 411299M1 | 4 | Washer | |
| 36 | 339179X1 | 3 | Washer | |
| 37 | 339169X1 | 3 | Nut Metric | |
| 38 | 411308M1 | X | Washer | |
| 39 | 411184M2 | 1 | Cable | |
| 40 | 411185M3 | 1 | Clevis Pin | |
| 41 | 339727X1 | 1 | Clevis Pin | |
| 42 | 339817X1 | 3 | Washer Metric | |
| 43 | 339087X1 | 2 | Pin | |
| 44 | 411186M2 | 1 | Strap | (D) |
| | 414522M1 | 1 | Strap | (E) |
| 45 | 411187M1 | 1 | Clip | |
| 46 | 339560X1 | 3 | Screw Metric | |
| 47 | 339375X1 | 3 | Lock Washer | |
| 48 | 339030X1 | 3 | Nut Metric | |
| 49 | 391400X1 | 2 | Pin | |
| 50 | 411130M91 | 1 | Lever | |

CLUTCH

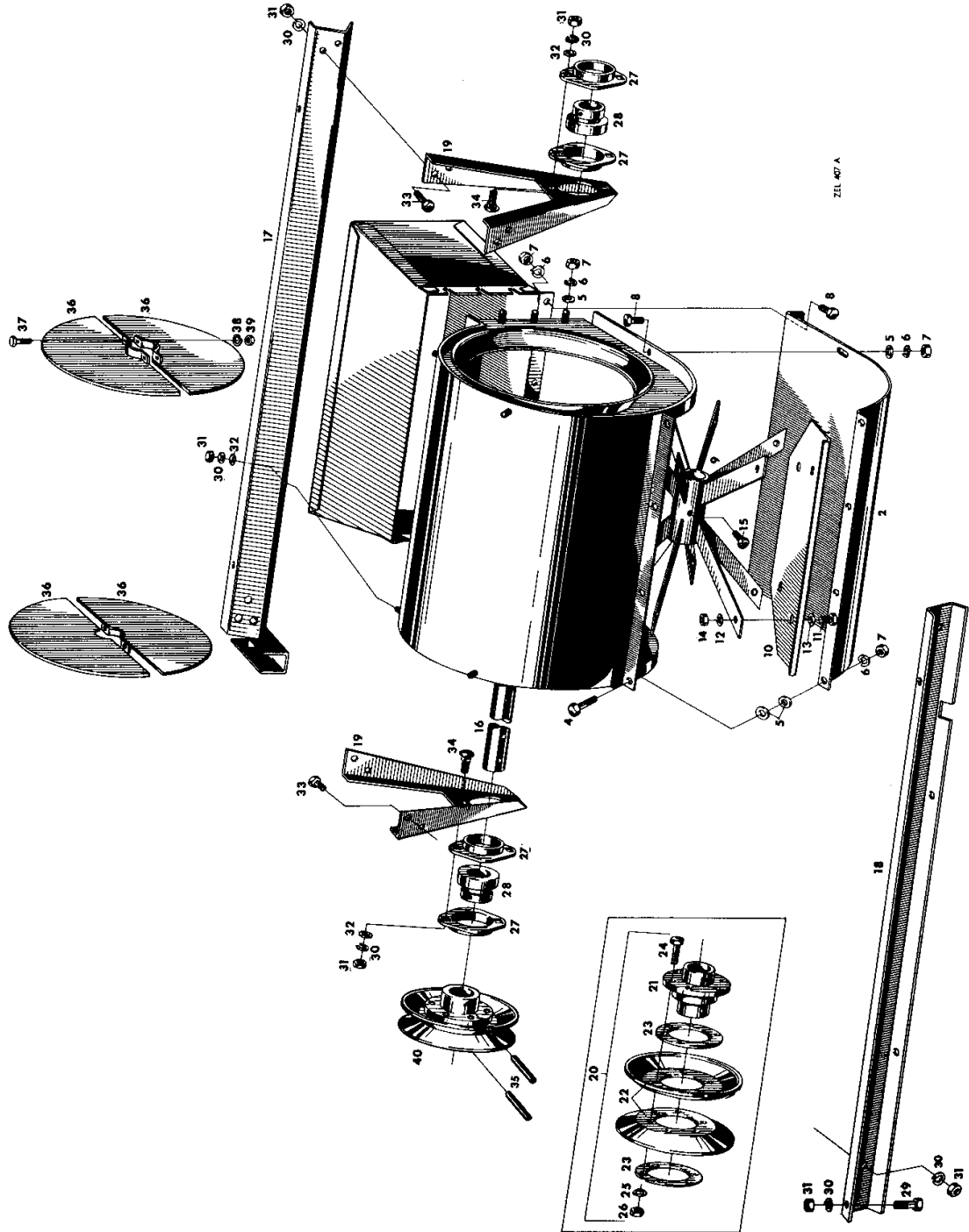
| Item | Part Number | Qty | Description | Comments |
|------|-------------|-----|---------------|----------|
| 51 | 411131M91 | 1 | Rod | |
| 52 | 411133M1 | 1 | Rod | |
| 53 | 320534M2 | 2 | Block | |
| 54 | 339080X1 | 3 | Roll Pin | |
| 55 | 339080X1 | 1 | Roll Pin | |
| 56 | 411113M91 | 1 | Pedal | |
| 57 | 401741M1 | 1 | Cap | |
| 58 | 339401X1 | 1 | Screw Metric | |
| 59 | 339376X1 | 1 | Lock Washer | |
| 60 | 339402X1 | 1 | Nut Metric | |
| 61 | 1706114M1 | 1 | Spring | |
| 62 | 414720M91 | 1 | Lever | (F, G) |
| 63 | 390975X1 | 1 | Washer Metric | (G) |
| 64 | 411491M1 | 1 | Bolt | |
| 65 | 339024X1 | 2 | Washer Metric | |
| 66 | 339374X1 | 1 | Lock Washer | |
| 67 | 339169X1 | 1 | Nut Metric | |
| 68 | 411492M1 | 2 | Washer | |
| 69 | 414435M1 | 1 | Cap | (B) |
| 70 | 414608M1 | 1 | Bracket | (E) |
| 71 | 391401X1 | 1 | Pin | |
| 72 | 327201M1 | 1 | Clip | |
| 73 | 414609M1 | 1 | Clip | |

(A)
NON-SEALED BEARINGS
(B)
SEALED BEARINGS
(D)
WITH TYRES 9-24 AND 10-24
Up to Serial or Engine Number 6264
(E)
WITH TYRES 9-24 AND 10-24
WITH TYRES 14, 5-20
From Serial or Engine Number 6265
WITH TYRES 14, 5-20
(F)
Up to Serial or Engine Number 4634
Not serviced, order 390975X1
(G)
From Serial or Engine Number 4635



TRANSMISSION

| Item | Part Number | Qty | Description | Comments |
|------|-------------|-----|--------------|-------------------------------|
| | 410715M91 | 1 | Gearbox | |
| 1 | 1440475X1 | 1 | Circlip | |
| 2 | 618918M92 | 1 | Finger | |
| 3 | 390235X1 | 1 | Ring | |
| 4 | 618916M1 | 1 | Lock | |
| 5 | 391463X1 | 1 | Pin | |
| 6 | 618921M1 | 1 | Guide | |
| 7 | 618948M4 | 1 | Housing | |
| 8 | 339246X1 | 7 | Bolt Metric | |
| 9 | 339376X1 | 12 | Lock Washer | |
| 10 | 339402X1 | 10 | Nut Metric | |
| 11 | 618924M1 | 1 | Gasket | |
| 12 | 618949M4 | 1 | Cover | |
| 13 | 1441463X1 | 2 | Pin | |
| 14 | 618923M1 | 1 | Fork | |
| 15 | 618922M1 | 1 | Fork | |
| 16 | 339879X1 | 2 | Seal | |
| 17 | 1706035M1 | 1 | Spring | |
| 18 | 195466M1 | 1 | Plug | |
| 19 | 618913M91 | 1 | Plug | |
| 20 | 618910M1 | 1 | Gasket | |
| 21 | 1441031X1 | 1 | Seal | |
| 22 | 339556X1 | 1 | Bolt Metric | |
| | 410344M91 | 1 | Differential | |
| 23 | 618947M92 | 1 | Housing | |
| | 614338M1 | 2 | Dowel | |
| 24 | 1441027X1 | 1 | Seal | |
| 25 | 655863M1 | 2 | Pinion | Number of teeth/spines 10 |
| 26 | 623976M1 | 1 | Pin | |
| 27 | 623975M1 | 1 | Clevis Pin | |
| 28 | 623160M1 | 2 | Washer | |
| 29 | 618952M2 | 2 | Washer | |
| 30 | 618945M2 | 2 | Pinion | |
| 31 | 339673X1 | 2 | Bearing Ball | |
| 32 | 1441028X1 | 1 | Seal | |
| 33 | 618928M1 | 1 | Pinion | |
| 34 | 619077M1 | 1 | Gear | |
| 35 | 1440507X1 | 2 | Bearing Ball | |
| 36 | 618931M1 | 1 | Shaft | |
| 37 | 618932M1 | 1 | Gear | |
| 38 | | 1 | Gear | Not serviced, order 411310M91 |
| 39 | 1440526X1 | 1 | Ring | |
| 40 | 1440506X1 | 1 | Bearing Ball | |
| 41 | 411310M91 | 1 | Shaft | |
| 42 | 1440494X1 | 1 | Bearing Ball | |
| 43 | 618911M1 | 1 | Pin | |
| 44 | 618917M1 | 1 | Shaft | |
| 45 | 618925M91 | 1 | Pinion | |
| 46 | 1440513X1 | 2 | Bearing | |
| 47 | 180474M1 | 1 | Gasket | |
| 48 | 1441029X1 | 1 | Seal | |
| 49 | 339019X1 | 2 | Bolt Metric | |
| 50 | 339424X1 | 4 | Washer | |



Mähdrescher MF 31

415 718 M2 (Ausgabe 1) 12/70

FANNING MILL

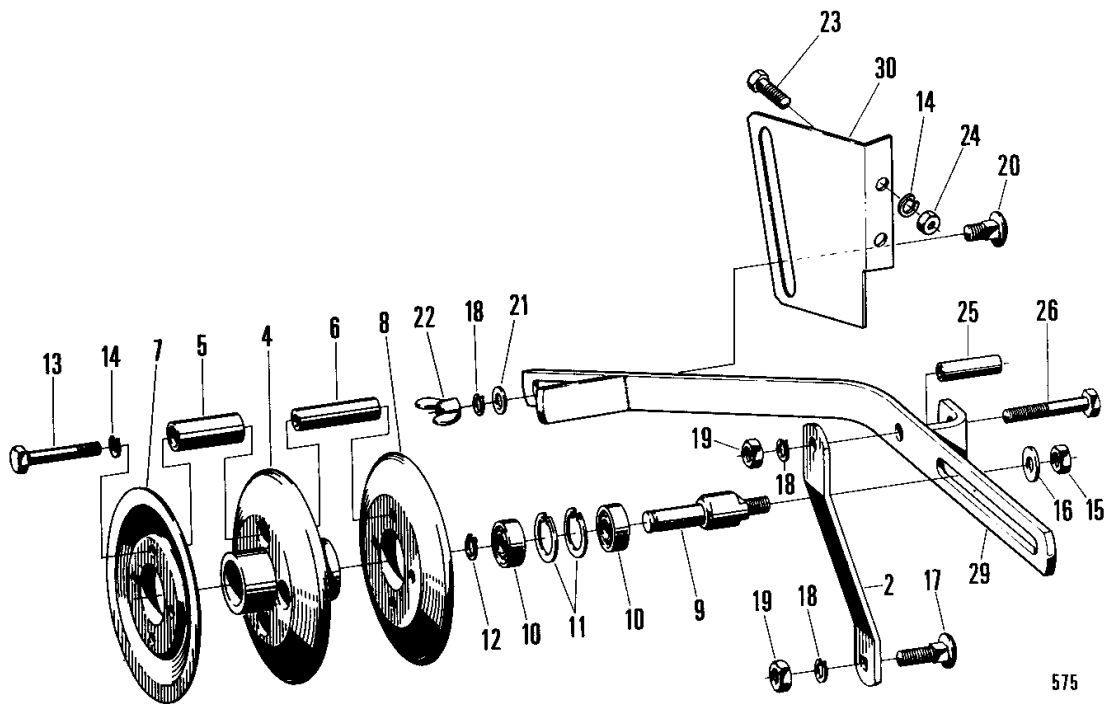
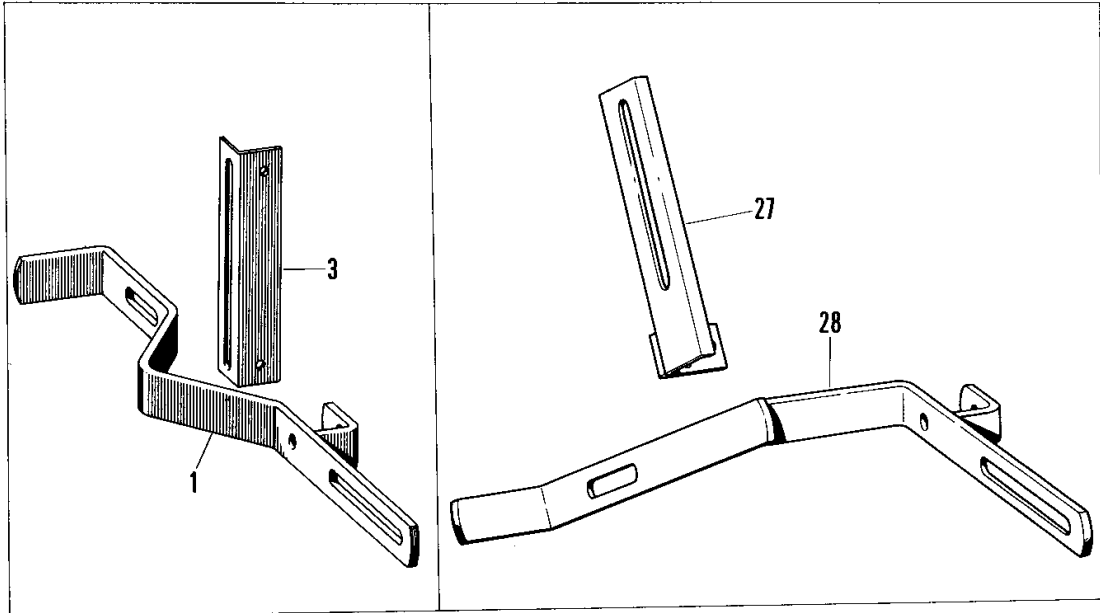
| Item | Part Number | Qty | Description | Comments |
|------|-------------|-----|---------------|------------------------------------|
| 1 | 410478M91 | 1 | Fan | |
| 2 | 410482M1 | 1 | Housing | |
| 3 | 410488M91 | 1 | Hopper | |
| 4 | 339666X1 | 4 | Screw Metric | |
| 5 | 390971X1 | 20 | Washer Metric | |
| 6 | 339375X1 | 16 | Lock Washer | |
| 7 | 339030X1 | 16 | Nut Metric | |
| 8 | 339230X1 | 6 | Screw Metric | |
| | 410493M91 | 1 | Fan | (A) |
| | 414685M91 | 1 | Fan | (B) |
| 9 | 410494M91 | 1 | Spider | (A) |
| | 402284M91 | 1 | Spider | (B) |
| 10 | 410498M1 | 6 | Blade Cutter | (A) |
| | 414686M1 | 6 | Blade Cutter | (B) |
| 11 | 339123X1 | 12 | Screw Metric | (A) |
| | 339560X1 | 24 | Screw Metric | (B) |
| 12 | 339374X1 | 12 | Lock Washer | (A) |
| | 339375X1 | 24 | Lock Washer | (B) |
| 13 | 339817X1 | 12 | Washer Metric | (A) |
| | 390971X1 | 24 | Washer Metric | (B) |
| 14 | 339169X1 | 12 | Nut Metric | (A) |
| | 339030X1 | 24 | Nut Metric | (B) |
| 15 | 390228X1 | 1 | Key Parallel | (A) |
| | 390594X1 | 1 | Bolt Metric | (B) |
| | 339169X1 | 1 | Nut Metric | |
| 16 | 410499M1 | 1 | Shaft | (A) |
| | 414687M1 | 1 | Shaft | (B) |
| 17 | 410500M92 | 1 | Carrier | |
| 18 | 410504M1 | 1 | Carrier | |
| 19 | 410505M1 | 2 | Bearer | |
| 20 | 410506M91 | 1 | Pulley | (C) |
| 21 | 322935M2 | 1 | Hub | (C) |
| 22 | 402272M1 | 2 | Pulley | (C) |
| 23 | 402273M1 | 2 | Spacer | (C) |
| 24 | 339804X1 | 6 | Screw Metric | (C) |
| 25 | 339375X1 | 6 | Lock Washer | (C) |
| 26 | 339030X1 | 6 | Nut Metric | (C) |
| 27 | 410559M1 | 4 | Flange | |
| 28 | 410560M1 | 2 | Bearing | |
| 29 | 339123X1 | 4 | Screw Metric | |
| 30 | 339374X1 | 18 | Lock Washer | |
| 31 | 339169X1 | 18 | Nut Metric | |
| 32 | 339817X1 | 6 | Washer Metric | |
| 33 | 339124X1 | 6 | Screw Metric | |
| 34 | 339170X1 | 4 | Screw | |
| 35 | 339192X1 | 2 | Pin | |
| 36 | 414613M91 | 4 | Plate | (C) |
| 37 | 339761X1 | 4 | Screw Metric | (C) |
| 38 | 339374X1 | 4 | Lock Washer | (C) |
| 39 | 339169X1 | 4 | Nut Metric | (C) |
| 40 | 416519M91 | 1 | Pulley | (A) |
| | | | | Up to Serial or Engine Number 4154 |
| | | | | (B) |
| | | | | From Serial or Engine Number 4155 |
| | | | | (C) |
| | | | | SPECIAL EQUIPMENT |

10-8

GEBLÄSEVERSTELLTRIEB

FANNING MILL
ADJUSTMENT

VARIATEUR DE VITESSES
POUR VENTILATEUR



Mähdröcher MF 31

415 718 M2 (Ausgabe 1) 12/70

FANNING MILL ADJUSTMENT

| Item | Part Number | Qty | Description | Comments |
|------|-------------|-----|---------------|----------|
| 1 | 410530M91 | 1 | Lever | (A) |
| 2 | 410533M1 | 1 | Support | |
| 3 | 410534M1 | 1 | Strap | (A) |
| 4 | 412138M1 | 1 | Disc | |
| 5 | 412139M1 | 4 | Bush | |
| 6 | 412140M1 | 4 | Bush | |
| 7 | 412141M1 | 1 | Disc | |
| 8 | 412142M1 | 1 | Disc | |
| 9 | 410541M1 | 1 | Pin | |
| 10 | 339656X1 | 2 | Bearing Ball | |
| 11 | 339657X1 | 2 | Circlip | |
| 12 | 339069X1 | 1 | Circlip | |
| 13 | 339368X1 | 4 | Bolt Metric | |
| 14 | 339374X1 | 6 | Lock Washer | |
| 15 | 339054X1 | 1 | Nut Metric | |
| 16 | 339026X1 | 1 | Washer Metric | |
| 17 | 390397X1 | 1 | Bolt | |
| 18 | 339376X1 | 3 | Lock Washer | |
| 19 | 339402X1 | 2 | Nut Metric | |
| 20 | 339131X1 | 1 | Bolt | |
| 21 | 339025X1 | 1 | Washer Metric | |
| 22 | 339539X1 | 1 | Nut Metric | |
| 23 | 339761X1 | 2 | Screw Metric | |
| 24 | 339169X1 | 2 | Nut Metric | |
| 25 | 1706396M1 | 1 | Bush | |
| 26 | 339204X1 | 1 | Screw | |
| 27 | 406682M91 | 1 | Strap | (B) |
| 28 | 406685M91 | 1 | Arm | (B) |
| 29 | 417487M91 | 1 | Arm | (C) |
| 30 | 417490M91 | 1 | Strap | (C) |

(A)

FOR COMBINES WITHOUT STRAW CHOPPER

Up to Serial or Engine Number 8493

(B)

FOR SUPPLEMENTARY FITTING OF STRAW CHOPPER

Up to Serial or Engine Number 8493

(C)

From Serial or Engine Number 8494

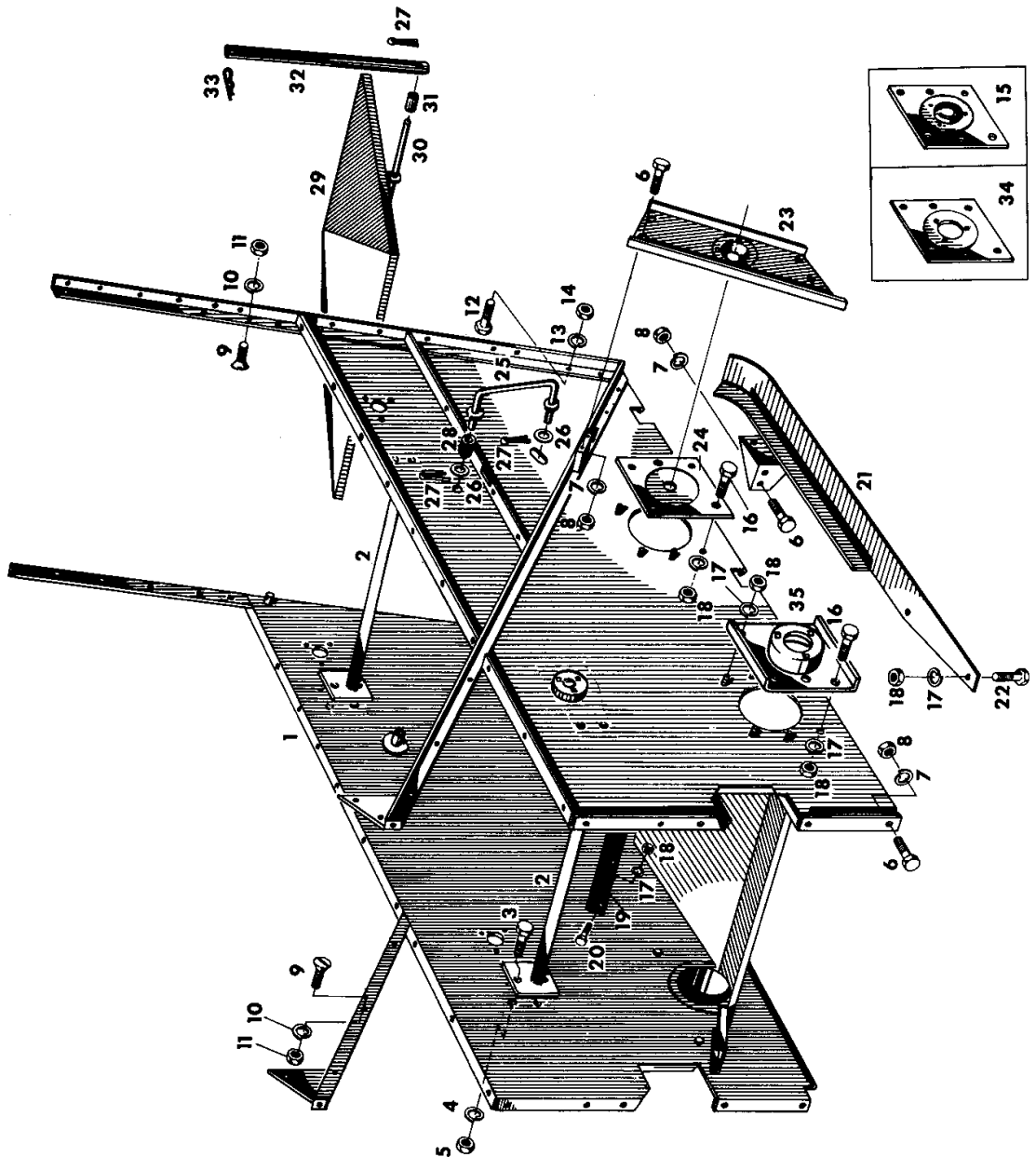
11-1

UNTERES MASCHINENGEHÄUSE

LOWER MACHINE HOUSING

BATI INFERIEUR

576



Mährescher MF 31

415 718 M2 (Ausgabe 1) 12/70

LOWER MACHINE HOUSING

| Item | Part Number | Qty | Description | Comments |
|------|-------------|-----|------------------------------------|----------|
| 1 | 410412M91 | 1 | Housing | (A) |
| | 411749M91 | 1 | Frame | (B) |
| | 417284M91 | 1 | Frame | (E) |
| 2 | 410417M91 | 2 | Stiffener | (B) |
| | 417247M91 | 1 | Spacer | (E) |
| 3 | 339560X1 | 16 | Screw Metric | (B) |
| | 339124X1 | 8 | Screw Metric | (E) |
| 4 | 339375X1 | 16 | Lock Washer | (B) |
| | 339374X1 | 8 | Lock Washer | (E) |
| 5 | 339030X1 | 16 | Nut Metric | (B) |
| | 339169X1 | 8 | Nut Metric | (E) |
| 6 | 339123X1 | 15 | Screw Metric | |
| 7 | 339374X1 | 15 | Lock Washer | |
| 8 | 339169X1 | 15 | Nut Metric | |
| 9 | 339150X1 | 16 | Screw Metric | |
| 10 | 339375X1 | 16 | Lock Washer | |
| 11 | 339030X1 | 16 | Nut Metric | |
| 12 | 339401X1 | 8 | Screw Metric | |
| 13 | 339376X1 | 8 | Lock Washer | |
| 14 | 339402X1 | 8 | Nut Metric | |
| 15 | 324950M1 | 1 | Plate | (C) |
| 16 | 339230X1 | 4 | Screw Metric | |
| 17 | 339375X1 | 23 | Lock Washer | |
| 18 | 339030X1 | 23 | Nut Metric | |
| 19 | 410690M1 | 1 | Gasket | |
| 20 | 339560X1 | 5 | Screw Metric | |
| 21 | 324550M91 | 1 | Guard | |
| 22 | 339666X1 | 2 | Screw Metric | |
| 23 | 321126M2 | 1 | Support | (C) |
| | 411894M91 | 1 | Support | (D) |
| 24 | 410698M1 | 1 | Plate | |
| 25 | 322117M91 | 2 | Crank | |
| 26 | 391396X1 | 4 | Washer Metric | |
| 27 | 391401X1 | 6 | Pin | |
| 28 | 320507M1 | 2 | Sleeve | |
| 29 | 410294M91 | 1 | Fender | |
| 30 | 410297M1 | 1 | Clevis Pin | |
| 31 | 1706393M1 | 2 | Spacer | |
| 32 | 410298M1 | 2 | Rod Link | |
| 33 | 410366M1 | 2 | Pin | |
| 34 | 411879M1 | 1 | Plate | (D, F) |
| 35 | 417257M1 | 1 | Flange | (G) |
| | | | | (A) |
| | | | NON-SEALED BEARINGS | |
| | | | | (B) |
| | | | SEALED BEARINGS | |
| | | | Up to Serial or Engine Number 7375 | |
| | | | | (C) |
| | | | Up to Serial or Engine Number 3043 | |
| | | | | (D) |
| | | | From Serial or Engine Number 3044 | |
| | | | | (E) |
| | | | SEALED BEARINGS | |
| | | | From Serial or Engine Number 7376 | |
| | | | | (F) |
| | | | Up to Serial or Engine Number 7375 | |
| | | | | (G) |
| | | | From Serial or Engine Number 7376 | |

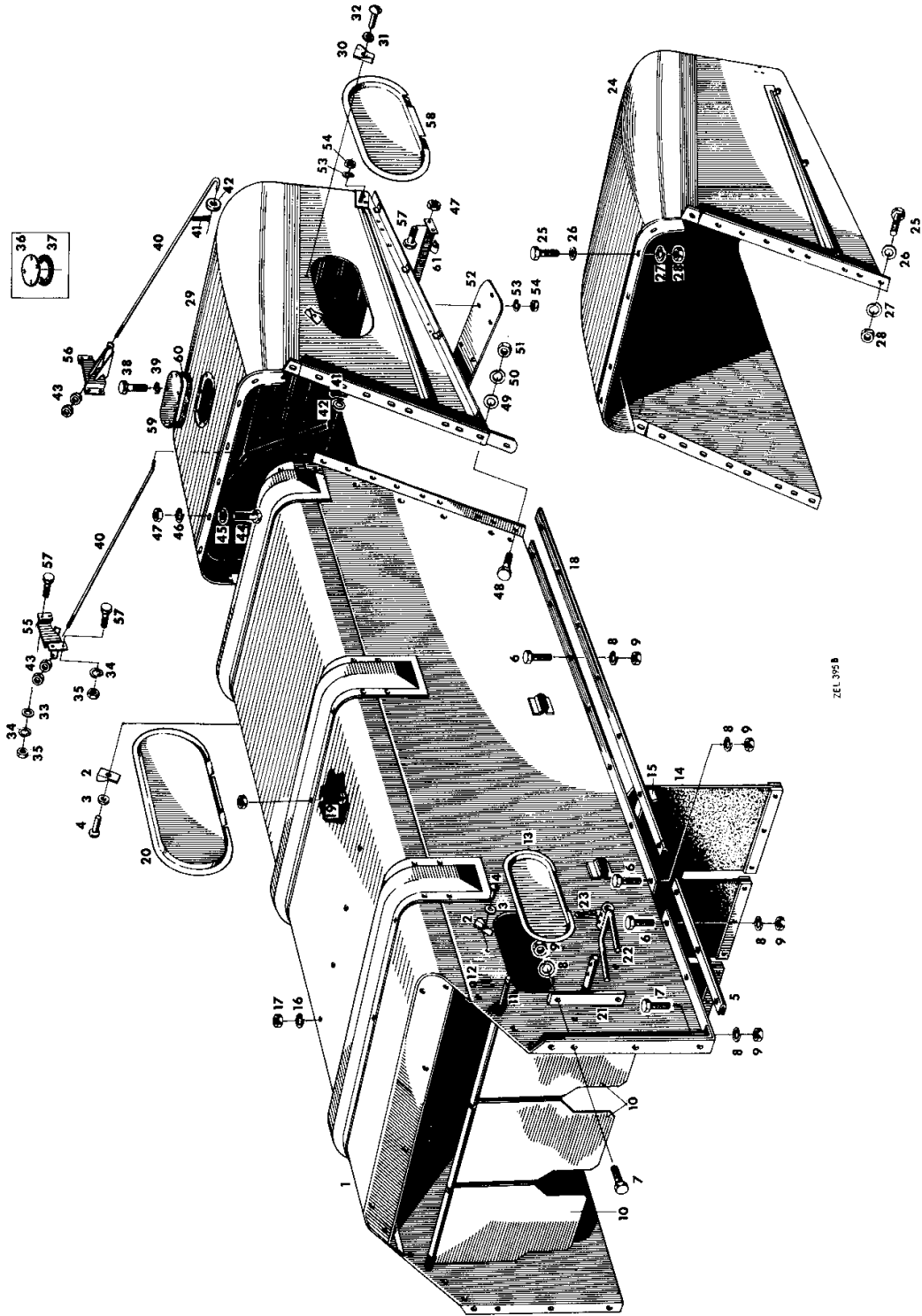
MF 31 COMBINE - 415718

11-2

OBERES MASCHINENGEHÄUSE

UPPER MACHINE HOUSING

BATI SUPERIEUR



ZEL 1958

Mähdrescher MF 31

415 718 M2 (Ausgabe 1) 12/70

**MASSEY FERGUSON
MF 31 COMBINE - 415718**

415718

11-2

UPPER MACHINE HOUSING

| Item | Part Number | Qty | Description | Comments |
|------|-------------|-----|---------------|------------------------------------|
| 1 | 410425M94 | 1 | Hood | |
| 2 | 320719M2 | 3 | Tie | |
| 3 | 390971X1 | 3 | Washer Metric | |
| 4 | 339082X1 | 3 | Rivet | |
| 5 | 320602M1 | 2 | Bar-Front | |
| 6 | 339124X1 | 18 | Screw Metric | |
| 7 | 339123X1 | 6 | Screw Metric | |
| 8 | 339374X1 | 24 | Lock Washer | |
| 9 | 339169X1 | 24 | Nut Metric | |
| 10 | 410437M2 | 3 | Dust Shield | |
| 11 | 324372M1 | 1 | Rod | |
| 12 | 339076X1 | 1 | Pin | |
| 13 | 410438M1 | 1 | Plate | (C) |
| | 415201M91 | 1 | Gate | (D) |
| 14 | 410439M91 | 1 | Curtain | |
| 15 | 410441M91 | 1 | Bracket | |
| 16 | 339375X1 | 4 | Lock Washer | |
| 17 | 339030X1 | 4 | Nut Metric | |
| 18 | 320668M1 | 2 | Bar-Rear | |
| 19 | 390556X1 | 12 | Screw | |
| | 339169X1 | 12 | Nut Metric | |
| 20 | 321169M1 | 1 | Door | |
| 21 | 323723M91 | 1 | Bearer | (E) |
| 22 | 410813M91 | 1 | Guide | (E) |
| 23 | 339531X1 | 2 | Pin | (E) |
| 24 | 410999M91 | 1 | Hood | (A) |
| 25 | 339124X1 | 24 | Screw Metric | |
| 26 | 339817X1 | 24 | Washer Metric | |
| 27 | 339374X1 | 24 | Lock Washer | |
| 28 | 339169X1 | 24 | Nut Metric | |
| | 11517161 | 1 | Hood | (B) |
| 29 | 416230M91 | 1 | Hood | (B) |
| 30 | 320719M2 | 4 | Tie | |
| 31 | 390971X1 | 4 | Washer Metric | |
| 32 | 339082X1 | 4 | Rivet | |
| 33 | 339817X1 | 4 | Washer Metric | |
| 34 | 339374X1 | 8 | Lock Washer | |
| 35 | 339169X1 | 8 | Nut Metric | |
| 36 | 411599M1 | 1 | Cover | (E) |
| 37 | 411600M1 | 1 | Joint | (E) |
| 38 | 339560X1 | 8 | Screw Metric | |
| 39 | 339375X1 | 8 | Lock Washer | |
| 40 | 411601M1 | 2 | Bolt | |
| 41 | 390739X1 | 2 | Pin | |
| 42 | 339025X1 | 2 | Washer Metric | |
| 43 | 339402X1 | 4 | Nut Metric | |
| 44 | 339124X1 | 7 | Screw Metric | |
| 45 | 339817X1 | 7 | Washer Metric | |
| 46 | 339374X1 | 7 | Lock Washer | |
| 47 | 339169X1 | 11 | Nut Metric | |
| 48 | 339123X1 | 20 | Screw Metric | |
| 49 | 339817X1 | 20 | Washer Metric | |
| 50 | 339374X1 | 20 | Lock Washer | |
| 51 | 339169X1 | 20 | Nut Metric | |
| 52 | 411602M1 | 1 | Cover | |
| 53 | 339375X1 | 8 | Lock Washer | |
| 54 | 339030X1 | 8 | Nut Metric | |
| 55 | 406671M91 | 1 | Bearer | Right Hand |
| 56 | 406667M91 | 1 | Bearer | Left Hand |
| 57 | 339123X1 | 12 | Screw Metric | |
| 58 | 321169M1 | 2 | Door | (D) |
| 59 | 416243M1 | 1 | Cover | (F) |
| 60 | 416244M1 | 1 | Joint | (F) |
| 61 | 409698M91 | 1 | Support | (B) |
| | 411603M2 | 5 | Filling | (A) |
| | | | | Up to Serial or Engine Number 3043 |
| | | | | (B) |
| | | | | From Serial or Engine Number 3044 |
| | | | | (C) |

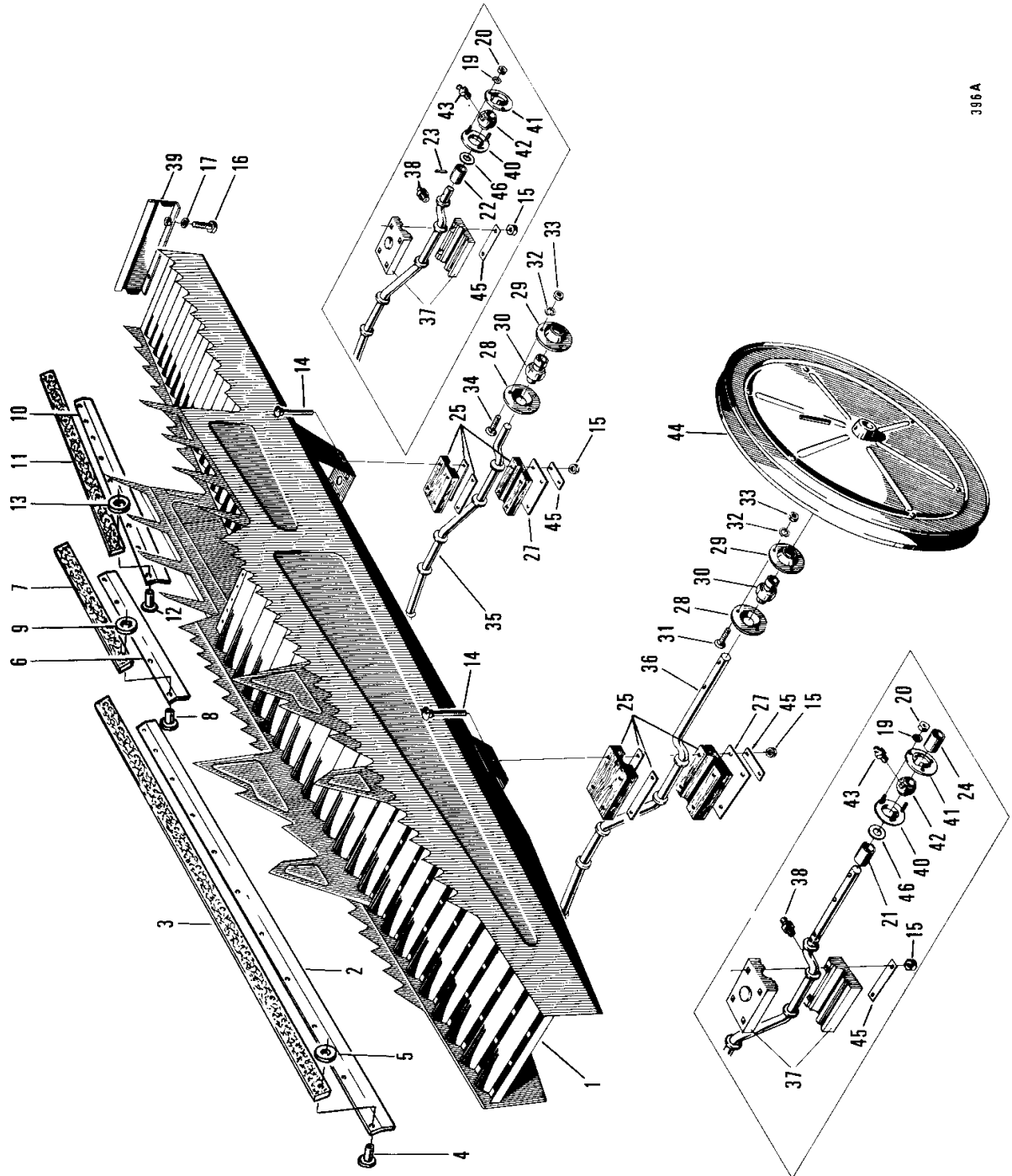
MASSEY FERGUSON
MF 31 COMBINE - 415718

415718

UPPER MACHINE HOUSING

11-2

| Item | Part Number | Qty | Description | Comments |
|------|-------------|-----|-------------|---|
| | | | | Up to Serial or Engine Number 4634 (D) |
| | | | | From Serial or Engine Number 4635 (E) |
| | | | | Up to Serial or Engine Number 6264 (F) |
| | | | | From Serial or Engine Number 6265 |



386A

Mähdröschler MF 31

415 718 M2 (Ausgabe 1) 12/70

**MASSEY FERGUSON
MF 31 COMBINE - 415718**

415718

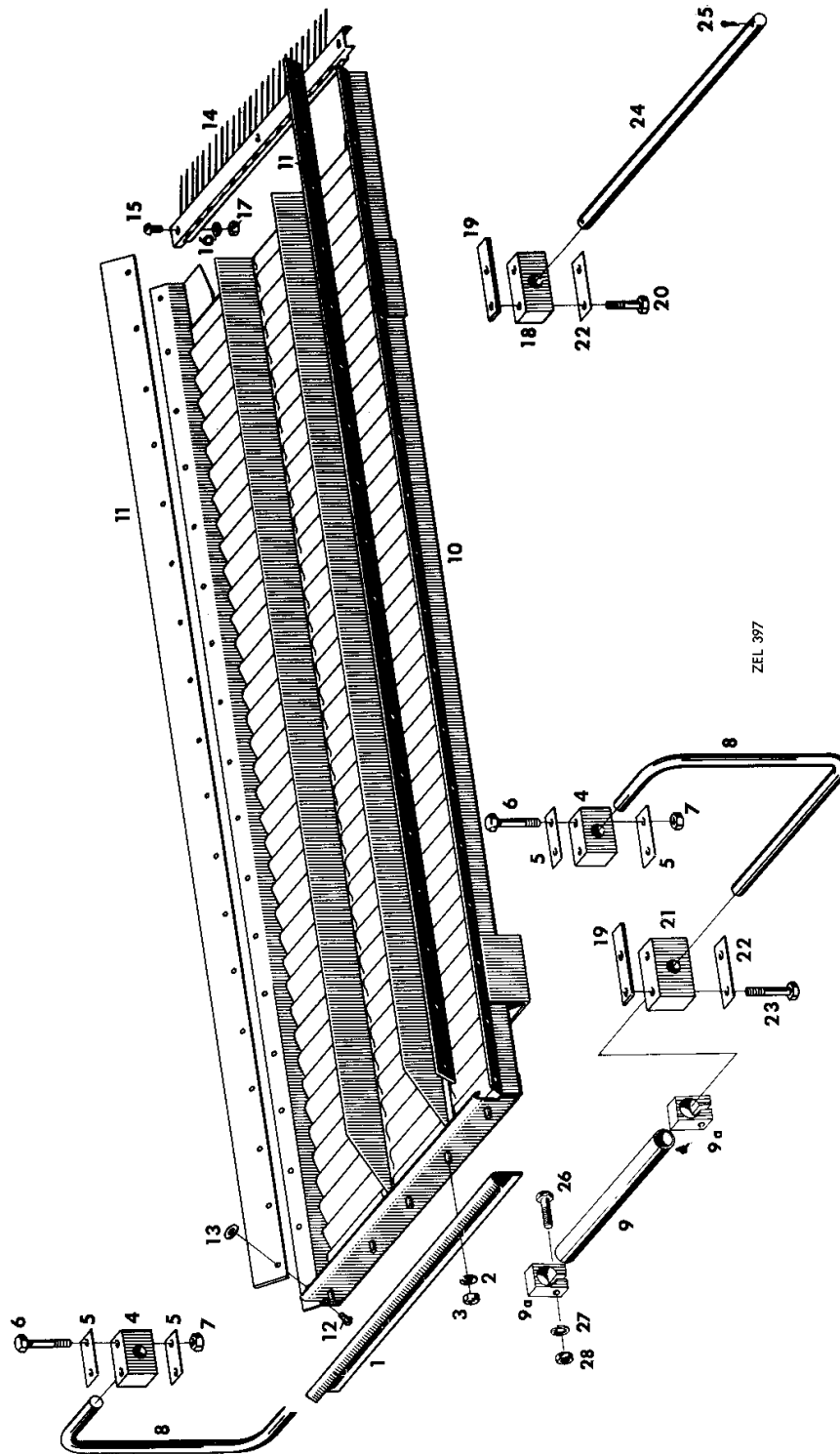
11-3

STRAW WALKERS AND DRIVE - WITHOUT SEALINGS

| Item | Part Number | Qty | Description | Comments |
|------|-------------|-----|---------------|--|
| | | | | WITHOUT SEALINGS Up to Serial or Engine Number 9111 |
| 1 | 324031M94 | 3 | Walker | |
| | | | | WITH SEALINGS From Serial or Engine Number 9112 |
| 1 | 324031M94 | 1 | Walker | |
| | 416604M91 | 1 | Walker | Left Hand INCL. 324031M94 |
| 2 | 416606M91 | 1 | Sealer | (G) |
| 3 | 416608M1 | 1 | Seal | |
| 4 | 391356X1 | 11 | Rivet | |
| 5 | 339102X1 | 11 | Washer Metric | |
| 6 | 416609M91 | 1 | Sealer | (G) |
| 7 | 416611M1 | 1 | Sealer | |
| 8 | 391356X1 | 5 | Rivet | |
| 9 | 339102X1 | 5 | Washer Metric | |
| 10 | 416612M91 | 1 | Sealer | (G) |
| 11 | 416614M1 | 1 | Sealer | |
| 12 | 391356X1 | 9 | Rivet | |
| 13 | 339102X1 | 9 | Washer Metric | |
| 1 | 416605M91 | 1 | Walker | Right Hand INCL. 324031M94 |
| 2 | 416606M91 | 1 | Sealer | (G) |
| 3 | 416608M1 | 1 | Seal | |
| 4 | 391356X1 | 11 | Rivet | |
| 5 | 339102X1 | 11 | Washer Metric | |
| 6 | 416609M91 | 1 | Sealer | (G) |
| 7 | 416611M1 | 1 | Sealer | |
| 8 | 391356X1 | 5 | Rivet | |
| 9 | 339102X1 | 5 | Washer Metric | |
| 10 | 416612M91 | 1 | Sealer | (G) |
| 11 | 416614M1 | 1 | Sealer | |
| 12 | 391356X1 | 9 | Rivet | |
| 13 | 339102X1 | 9 | Washer Metric | |
| 14 | 339127X1 | 24 | Bolt | (A) |
| | 339256X1 | 24 | Bolt Metric | |
| 15 | 339169X1 | 24 | Nut Metric | |
| 16 | 339228X1 | 6 | Screw Metric | |
| 17 | 339374X1 | 6 | Lock Washer | |
| 18 | 339135X1 | 2 | Pin | |
| 19 | 339375X1 | 12 | Lock Washer | |
| 20 | 339030X1 | 12 | Nut Metric | |
| 21 | 411579M1 | 1 | Bush | (D) |
| 22 | 411580M1 | 3 | Insert | (D) |
| 23 | 339258X1 | 3 | Pin | (D) |
| 24 | 411582M1 | 1 | Bush | (D) |
| 25 | 414924M91 | 6 | Bearing | (B) |
| 27 | 411746M1 | 6 | Plate | (B) |
| 28 | 411745M1 | 4 | Ring | (B) |
| 29 | 412245M1 | 4 | Ring | (B) |
| 30 | 412243M1 | 4 | Bearing | (B) |
| 31 | 339247X1 | 3 | Bolt | (B) |
| 32 | 339374X1 | 12 | Lock Washer | (B) |
| 33 | 339169X1 | 12 | Nut Metric | (B) |
| 34 | 390018X1 | 9 | Bolt | (B) |
| 35 | 324061M91 | 1 | Crankshaft | (C) |
| | 411647M91 | 1 | Crankshaft | (D) |
| | 411742M91 | 1 | Crankshaft | (B, E) |
| | 417252M91 | 1 | Crankshaft | (F) |
| 36 | 320037M92 | 1 | Shaft | (C) |
| | 411648M91 | 1 | Crankshaft | (A) |
| | 411790M91 | 1 | Crankshaft | (D, E) |
| | 417255M91 | 1 | Crankshaft | (F) |
| 37 | 323300M92 | 6 | Bearing | (A) |
| 38 | 390843X1 | 6 | Nipple | (A) |
| 39 | 324044M91 | 3 | Gate | |
| 40 | 322118M93 | 4 | Ring | (A) |
| 41 | 320235M2 | 4 | Ring | (C) |
| | 411577M1 | 4 | Flange | (D) |
| 42 | 323378M91 | 4 | Bearing | (C) |

MASSEY FERGUSON**MF 31 COMBINE - 415718****415718****STRAW WALKERS AND DRIVE - WITHOUT SEALINGS****11-3**

| Item | Part Number | Qty | Description | Comments |
|-------------|--------------------|------------|--------------------|---------------------------------------|
| | 411649M91 | 4 | Bearing | (D) |
| 43 | 390843X1 | 4 | Nipple | |
| 44 | 321276M93 | 1 | Pulley | |
| 45 | 321147M1 | 12 | Pad | |
| 46 | 391382X1 | X | Washer Metric | (C) |
| | 391109X1 | X | Washer Metric | (D) |
| | | | | (A) |
| | | | | FOR COMBINES WITH NON-SEALED BEARINGS |
| | | | | (B) |
| | | | | FOR COMBINES WITH SEALED BEARINGS |
| | | | | (C) |
| | | | | Up to Serial or Engine Number 2243 |
| | | | | (D) |
| | | | | NO. 2244 - A |
| | | | | (E) |
| | | | | Up to Serial or Engine Number 7375 |
| | | | | (F) |
| | | | | From Serial or Engine Number 7376 |
| | | | | (G) |
| | | | | FOR SUPPLEMENTARY FITTING |
| | | | | Up to Serial or Engine Number 9111 |



Mähdrescher MF 31

415 718 M2 (Ausgabe 1) 12/70

PAN TO SHAKER SHOE

| Item | Part Number | Qty | Description | Comments |
|------|-------------|-----|--------------|----------|
| 1 | 410624M1 | 1 | Support | |
| 2 | 339375X1 | 5 | Lock Washer | |
| 3 | 339030X1 | 5 | Nut Metric | |
| 4 | 403961M1 | 2 | Block | |
| 5 | 403962M1 | 4 | Thruster | |
| 6 | 339368X1 | 4 | Bolt Metric | |
| 7 | 339169X1 | 4 | Nut Metric | |
| 8 | 410625M1 | 2 | Bracket | |
| 9 | 414659M91 | 1 | Tube | (A) |
| | 410627M2 | 1 | Tube | (B) |
| 9A | 410628M2 | 2 | Clip | (B) |
| | 410629M91 | 1 | Grain Pan | |
| 10 | 410630M91 | 1 | Pan | |
| 11 | 410641M1 | 2 | Seal | |
| 12 | 339280X1 | 34 | Rivet | |
| 13 | 339362X1 | 34 | Washer | |
| 14 | 410642M91 | 1 | Finger | |
| 15 | 391484X1 | 3 | Screw Metric | |
| 16 | 339375X1 | 3 | Lock Washer | |
| 17 | 339030X1 | 3 | Nut Metric | |
| 18 | 410645M1 | 2 | Bearing | |
| 19 | 410646M1 | 4 | Plate | |
| 20 | 339010X1 | 4 | Bolt Metric | |
| 21 | 403961M1 | 2 | Block | |
| 22 | 403962M1 | 4 | Thruster | |
| 23 | 339291X1 | 4 | Bolt Metric | |
| 24 | 410661M1 | 1 | Clevis Pin | |
| 25 | 339133X1 | 2 | Pin | |
| 26 | 339010X1 | 1 | Bolt Metric | |
| 27 | 339374X1 | 2 | Lock Washer | |
| 28 | 339169X1 | 2 | Nut Metric | |

(A)

Up to Serial or Engine Number 4177

(B)

From Serial or Engine Number 4178

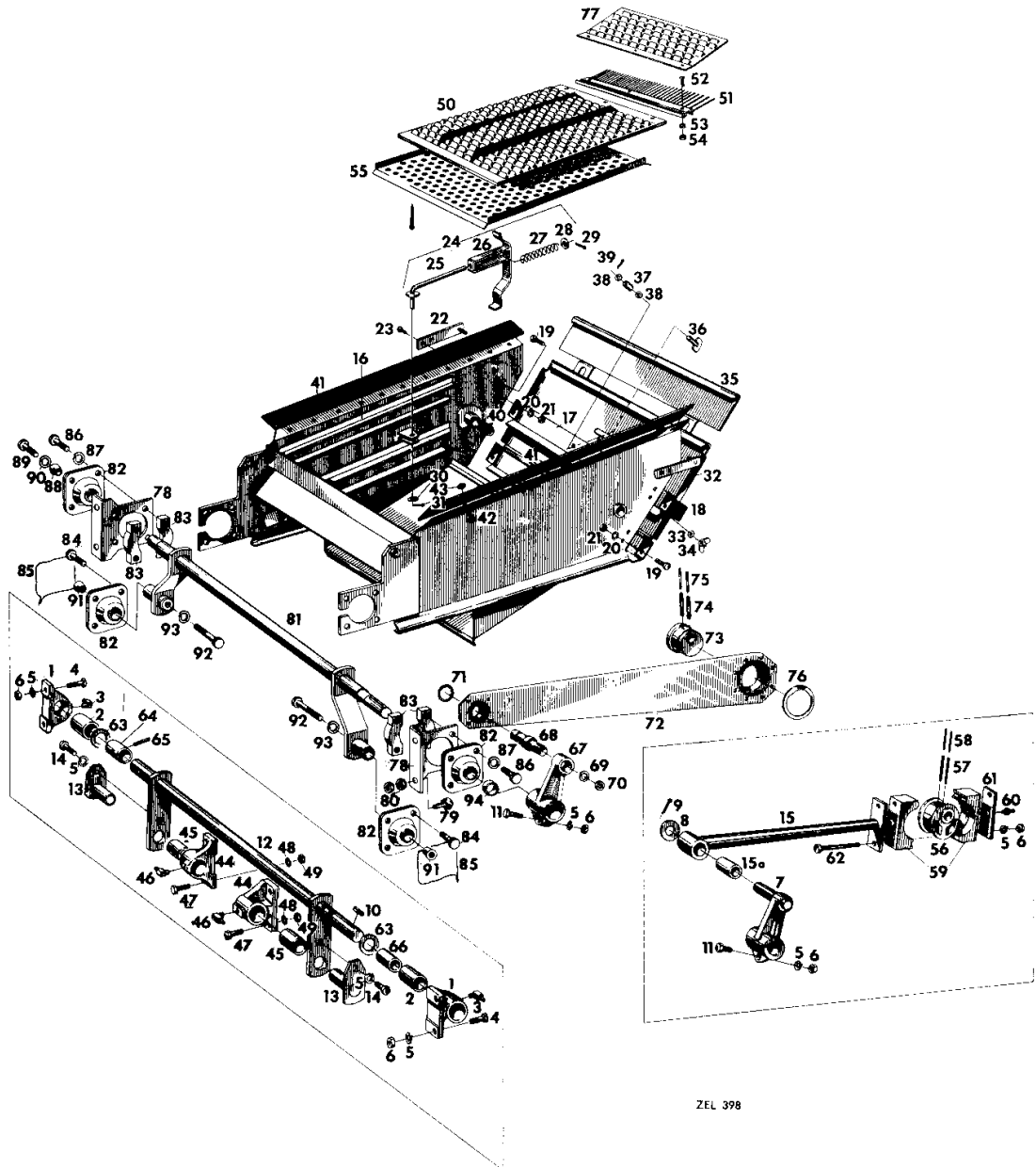
MF 31 COMBINE - 415718

11-5

REINIGUNG UND ANTRIEB

SHAKER SHOE AND DRIVE

COFFRE DE NETTOYAGE ET COMMANDE



Mähdrescher MF 31

415 718 M2 (Ausgabe 1) 12/70

**MASSEY FERGUSON
MF 31 COMBINE - 415718**

415718

11-5

SHAKER SHOE AND DRIVE

| Item | Part Number | Qty | Description | Comments |
|------|-------------|-----|---------------|-----------------|
| 1 | 410649M91 | 2 | Support | (A) |
| | 411650M91 | 2 | Support | (B, G) |
| 2 | 410651M1 | 2 | Bush | (A) |
| | 411652M1 | 2 | Bush | (B, G) |
| 3 | 339002X1 | 2 | Lubricator | (G) |
| 4 | 339451X1 | 8 | Screw Metric | |
| 5 | 339376X1 | 7 | Lock Washer | |
| 6 | 339402X1 | 7 | Nut Metric | |
| 7 | 410652M92 | 1 | Crank | (C) |
| 8 | 391382X1 | 1 | Washer Metric | |
| 9 | 339133X1 | 1 | Pin | |
| 10 | 339310X1 | 1 | Key Parallel | |
| 11 | 339451X1 | 1 | Screw Metric | |
| 12 | 410655M91 | 1 | Shaft | (A) |
| | 411655M91 | 1 | Shaft | (B, G) |
| 13 | 410658M92 | 2 | Eccentric | (G) |
| 14 | 339081X1 | 2 | Screw Metric | |
| 15 | 410662M91 | 1 | Pitman | (C) |
| 15A | 410666M1 | 1 | Bearing | (C) |
| | 410667M92 | 1 | Case | (G) |
| | 414480M91 | 1 | Case | (H) |
| 16 | 410668M91 | 1 | Case | (G) |
| | 414481M91 | 1 | Case | (H) |
| 17 | 323958M91 | 1 | Bearer | |
| 18 | 323959M1 | 2 | Packing | |
| 19 | 339560X1 | 8 | Screw Metric | |
| 20 | 339375X1 | 8 | Lock Washer | |
| 21 | 339030X1 | 8 | Nut Metric | |
| 22 | 410309M91 | 2 | Plate | |
| 23 | 391488X1 | 4 | Rivet | |
| 24 | 410680M91 | 2 | Bar | |
| 25 | 410681M91 | 2 | Stem | |
| 26 | 410683M91 | 2 | Bar | |
| 27 | 1706004M1 | 2 | Spring | |
| 28 | 339024X1 | 2 | Washer Metric | |
| 29 | 391401X1 | 2 | Pin | |
| 30 | 339056X1 | 2 | Washer Metric | |
| 31 | 391401X1 | 2 | Pin | |
| 32 | 410305M91 | 1 | Plate | |
| 33 | 339179X1 | 2 | Washer | |
| 34 | 339106X1 | 2 | Nut Metric | |
| 35 | 410307M92 | 1 | Plate | |
| 36 | 324986M92 | 1 | Handle | |
| 37 | 324985M1 | 1 | Bumper | |
| 38 | 339817X1 | 2 | Washer Metric | |
| 39 | 390511X1 | 1 | Pin | |
| 40 | 320507M1 | 2 | Sleeve | |
| 41 | 410687M1 | 2 | Gasket | |
| 42 | 339280X1 | 26 | Rivet | |
| 43 | 339362X1 | 26 | Washer | |
| 44 | 410649M91 | 2 | Support | (G) |
| 45 | 410651M1 | 2 | Bush | (G) |
| 46 | 339002X1 | 2 | Lubricator | (G) |
| 47 | 339401X1 | 4 | Screw Metric | |
| 48 | 339376X1 | 4 | Lock Washer | |
| 49 | 339402X1 | 4 | Nut Metric | |
| | 410688M91 | 1 | Screen | UPPER, INCL. |
| | 411737M91 | 1 | Grille | 2" |
| | | | | (E) |
| | 9138078 | 1 | Screen | (F) |
| | | | | "GRAEPEL" |
| 50 | 410689M1 | 1 | Chaffer | |
| | | 1 | Screen | (E) UPPER 2" |
| | 411519M1 | 1 | Screen | UPPER "GRAEPEL" |
| 51 | 322150M93 | 1 | Carrier | |
| 52 | 391375X1 | 3 | Screw Metric | |
| 53 | 339375X1 | 3 | Lock Washer | |
| 54 | 339030X1 | 3 | Nut Metric | |
| 55 | 320508M4 | 1 | Screen | |
| | 9138070 | 1 | Screen | |

SHAKER SHOE AND DRIVE

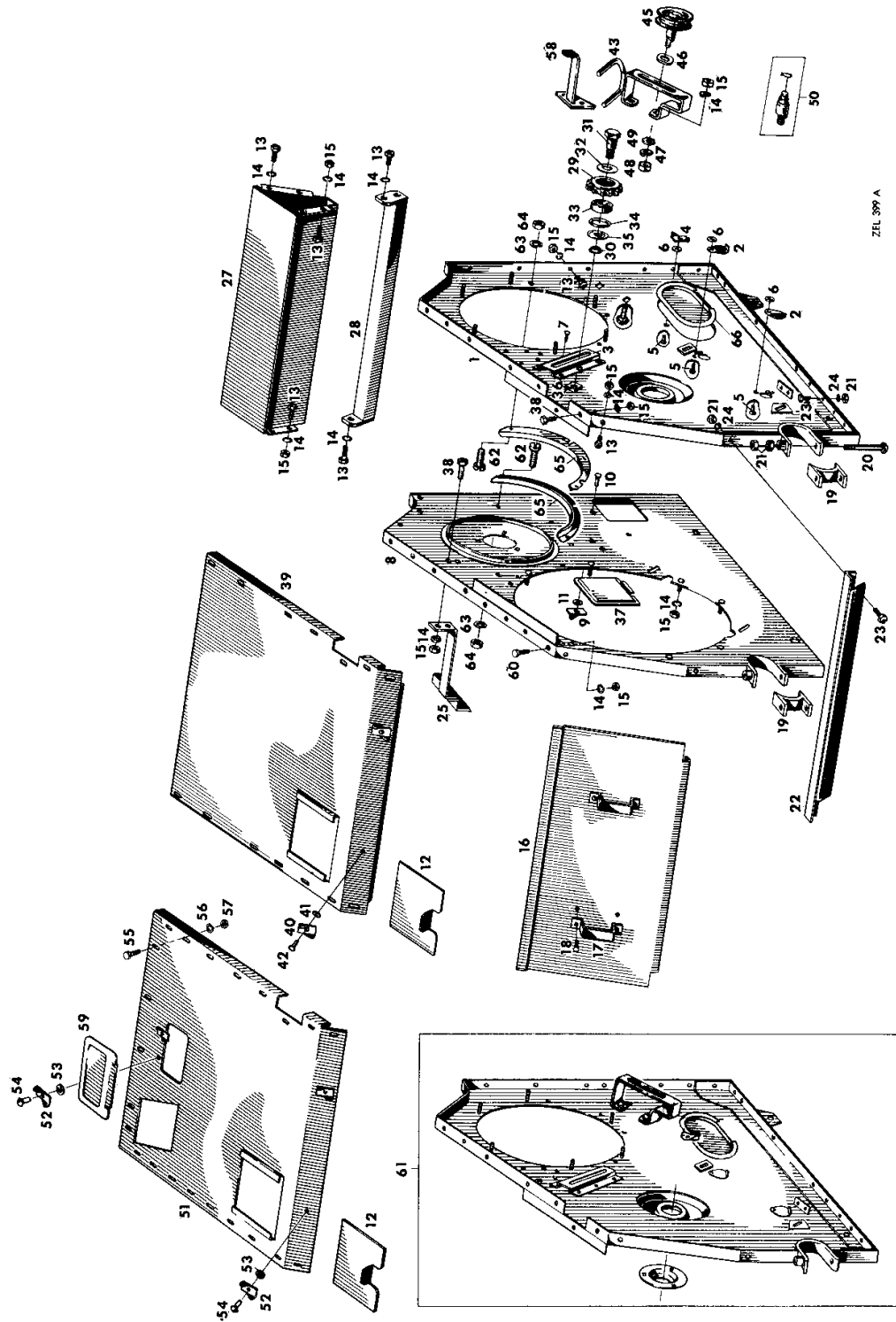
| Item | Part Number | Qty | Description | Comments |
|------|-------------|-----|---------------|---|
| | 9138069 | 1 | Screen | |
| 56 | 410695M1 | 1 | Eccentric | (C) |
| 57 | 390536X1 | 2 | Pin | (C) |
| 58 | 390736X1 | 2 | Pin | (C) |
| 59 | 410696M91 | 1 | Bearing | (C) |
| 60 | 390843X1 | 1 | Nipple | |
| | 339003X1 | 1 | Greaser | |
| 61 | 410663M1 | 1 | Plate | (C) |
| 62 | 339234X1 | 2 | Bolt Metric | |
| 63 | 391393X1 | 2 | Washer Metric | (G) |
| 64 | 413364M1 | 1 | Bush | (B, G) |
| 65 | 339662X1 | 1 | Pin | (B, G) |
| 66 | 411658M1 | 1 | Bush | (B, G) |
| 67 | 410653M1 | 1 | Crank | (D) |
| 68 | 411870M1 | 1 | Trunnion | (D) |
| 69 | 339378X1 | 1 | Lock Washer | (D) |
| 70 | 339592X1 | 1 | Nut Metric | (D) |
| 71 | 390310X1 | 1 | Circlip | (D) |
| 72 | 411863M91 | 1 | Conrod | (D, G) |
| | 414478M91 | 1 | Conrod | (H) |
| 73 | 411871M1 | 1 | Eccentric | (D) |
| 74 | 339414X1 | 2 | Pin | (D) |
| 75 | 390736X1 | 2 | Pin | (D) |
| 76 | 391106X1 | 1 | Ring | (D) |
| 77 | 411912M1 | 1 | Plate | (E) |
| 78 | 414472M1 | 2 | Support | (H) |
| 79 | 391115X1 | 4 | Bolt | (H) |
| 80 | 339402X1 | 8 | Nut Metric | (H) |
| 81 | 414475M92 | 1 | Shaft | (H) |
| 82 | 414487M1 | 4 | Flange | (H) |
| 83 | 414488M1 | 8 | Plate | (H) |
| 84 | 391116X1 | 8 | Bolt Metric | (H) |
| 85 | 414490M1 | 2 | Wire | (H) |
| 86 | 339123X1 | 8 | Screw Metric | (H) |
| 87 | 339374X1 | 8 | Lock Washer | (H) |
| 88 | 414491M1 | 1 | Cone | (H) |
| 89 | 339814X1 | 1 | Screw Metric | (H) |
| 90 | 339376X1 | 1 | Lock Washer | (H) |
| 91 | 414494M91 | 2 | Cone | (H) |
| 92 | 339168X1 | 2 | Bolt Metric | (H) |
| 93 | 339374X1 | 2 | Lock Washer | (H) |
| 94 | 1706434M1 | 1 | Spacer | (H) |
| | | | | (B) |
| | | | | From Serial or Engine Number 2244 |
| | | | | (C) |
| | | | | Up to Serial or Engine Number 3043 |
| | | | | (D) |
| | | | | From Serial or Engine Number 3044 |
| | | | | (E) |
| | | | | FOR CORN SEED |
| | | | | (F) |
| | | | | For UK only or any text in English only |
| | | | | (G) |
| | | | | Up to Serial or Engine Number 4634 |
| | | | | (H) |
| | | | | From Serial or Engine Number 4635 |

12-1

DRESCHKAMMER

CYLINDER HOUSING

CAISSON DE BATTAGE



Mähdrrescher MF 31

415 718 M2 (Ausgabe 1) 12/70

CYLINDER HOUSING

| Item | Part Number | Qty | Description | Comments |
|------|-------------|-----|-----------------|------------------------|
| 1 | 410750M95 | 1 | Side | Left Hand (D, A, B) |
| 2 | 401550M1 | 2 | Door | (A, B) |
| 3 | 321675M1 | 1 | Slipper | (A, B) |
| 4 | 320719M2 | 1 | Tie | (A, B) |
| 5 | 339212X1 | 3 | Rivet | (A, B) |
| 6 | 390971X1 | 3 | Washer Metric | (A, B) |
| 7 | 339281X1 | 6 | Rivet | (A, B) |
| 8 | 410759M94 | 1 | Side | Right Hand (A, B) |
| 9 | 320719M2 | 1 | Tie | (A, B) |
| 10 | 339212X1 | 1 | Rivet | (A, B) |
| 11 | 390971X1 | 1 | Washer Metric | (A, B) |
| 12 | 410767M1 | 1 | Gate | (A, B) |
| 13 | 339124X1 | 27 | Screw Metric | (A) |
| | 339124X1 | 25 | Screw Metric | (B) |
| 14 | 339374X1 | 39 | Lock Washer | (A) |
| | 339374X1 | 49 | Lock Washer | (B) |
| 15 | 339169X1 | 31 | Nut Metric | (A, B) |
| 16 | 410768M91 | 1 | Cover | (A, B) |
| 17 | 320090M2 | 2 | Handle | (A, B) |
| 18 | 339082X1 | 4 | Rivet | (A, B) |
| 19 | 320183M2 | 2 | Bearing Carrier | (A, B) |
| 20 | 339234X1 | 2 | Bolt Metric | (A, B) |
| 21 | 339402X1 | 18 | Nut Metric | (A, B) |
| 22 | 410772M91 | 1 | Seal | (A, B) |
| 23 | 339401X1 | 14 | Screw Metric | (A, B) |
| 24 | 339376X1 | 14 | Lock Washer | (A, B) |
| 25 | 410808M91 | 1 | Bracket | (A, B) |
| 27 | 410824M91 | 1 | Scraper | (A, B) |
| 28 | 410827M92 | 1 | Scraper | (A, B) |
| 29 | 321679M2 | 1 | Sprocket | (A, B) |
| 30 | 417261M1 | 1 | Ring | (A, B) |
| 31 | 321676M2 | 1 | Bolt | (A, B) |
| 32 | 321856M1 | 1 | Washer | (A, B) |
| 33 | 339200X1 | 1 | Bearing Ball | (A, B) |
| 34 | 339199X1 | 1 | Ring | (A, B) |
| 35 | 321855M2 | 1 | Washer | (A, B) |
| 36 | 391473X1 | 1 | Nut Metric | (A, B) |
| 37 | 323146M1 | 1 | Gate | (F, A, B) |
| | 410438M1 | 1 | Plate | (G, A, B) |
| 38 | 339123X1 | 3 | Screw Metric | (A, B) |
| 39 | 410765M91 | 1 | Plate | (A) |
| 40 | 320719M2 | 2 | Tie | (A) |
| 41 | 390971X1 | 2 | Washer Metric | (A) |
| 42 | 391489X1 | 2 | Rivet | (A) |
| 43 | 410648M1 | 1 | Bail | (F, A) |
| | 416339M91 | 1 | Bracket | (G, A) |
| 44 | 339170X1 | 2 | Screw | (A) |
| | 416579M91 | 1 | Pulley | (A) |
| 45 | 416580M91 | 1 | Pulley | (A) |
| 46 | 416584M1 | 1 | Washer | (A) |
| 47 | 339380X1 | 1 | Washer | (A) |
| 48 | 339070X1 | 1 | Nut | (A) |
| 49 | 339072X1 | 1 | Washer | (A) |
| 50 | 412446M1 | 1 | Pin | (H, A) |
| | 391062X1 | 1 | Segment | (H, A) |
| 51 | 411332M91 | 1 | Plate | (B) |
| 52 | 320719M2 | 4 | Tie | (B) |
| 53 | 390971X1 | 4 | Washer Metric | (B) |
| 54 | 339082X1 | 4 | Rivet | (B) |
| 55 | 339230X1 | 4 | Screw Metric | (B) |
| 56 | 339375X1 | 4 | Lock Washer | (B) |
| 57 | 339030X1 | 4 | Nut Metric | (B) |
| 58 | 411451M91 | 1 | Bracket | (B) |
| 59 | 410438M1 | 1 | Cover | (B) |
| 60 | 339337X1 | 1 | Screw Metric | (A, B) |
| 61 | 411685M92 | 1 | Side | Left Hand (C, A, B) |
| | 414674M91 | 1 | Side | Left Hand |

CYLINDER HOUSING

| Item | Part Number | Qty | Description | Comments |
|------|-------------|-----|--------------|---|
| 62 | 390903X1 | 8 | Screw Metric | (D, F, A, B) |
| 63 | 339375X1 | 8 | Lock Washer | (A, B) |
| 64 | 339030X1 | 8 | Nut Metric | (A, B) |
| 65 | 411950M1 | 2 | Cowl | (E, A, B) |
| 66 | 323146M1 | 1 | Gate | (F, A, B) |
| | 415201M91 | 1 | Gate | (G, A, B) |
| | | | | (A) |
| | | | | TANK MACHINES |
| | | | | (B) |
| | | | | BAGGER MACHINES |
| | | | | (C) |
| | | | | Up to Serial or Engine Number 2255 |
| | | | | (D) |
| | | | | From Serial or Engine Number 2256 |
| | | | | (E) |
| | | | | FOR COMBINES WITH REAR BEATER-FOUR BLADES |
| | | | | (F) |
| | | | | Up to Serial or Engine Number |
| | | | | 4634 |
| | | | | (G) |
| | | | | From Serial or Engine Number 4635 |

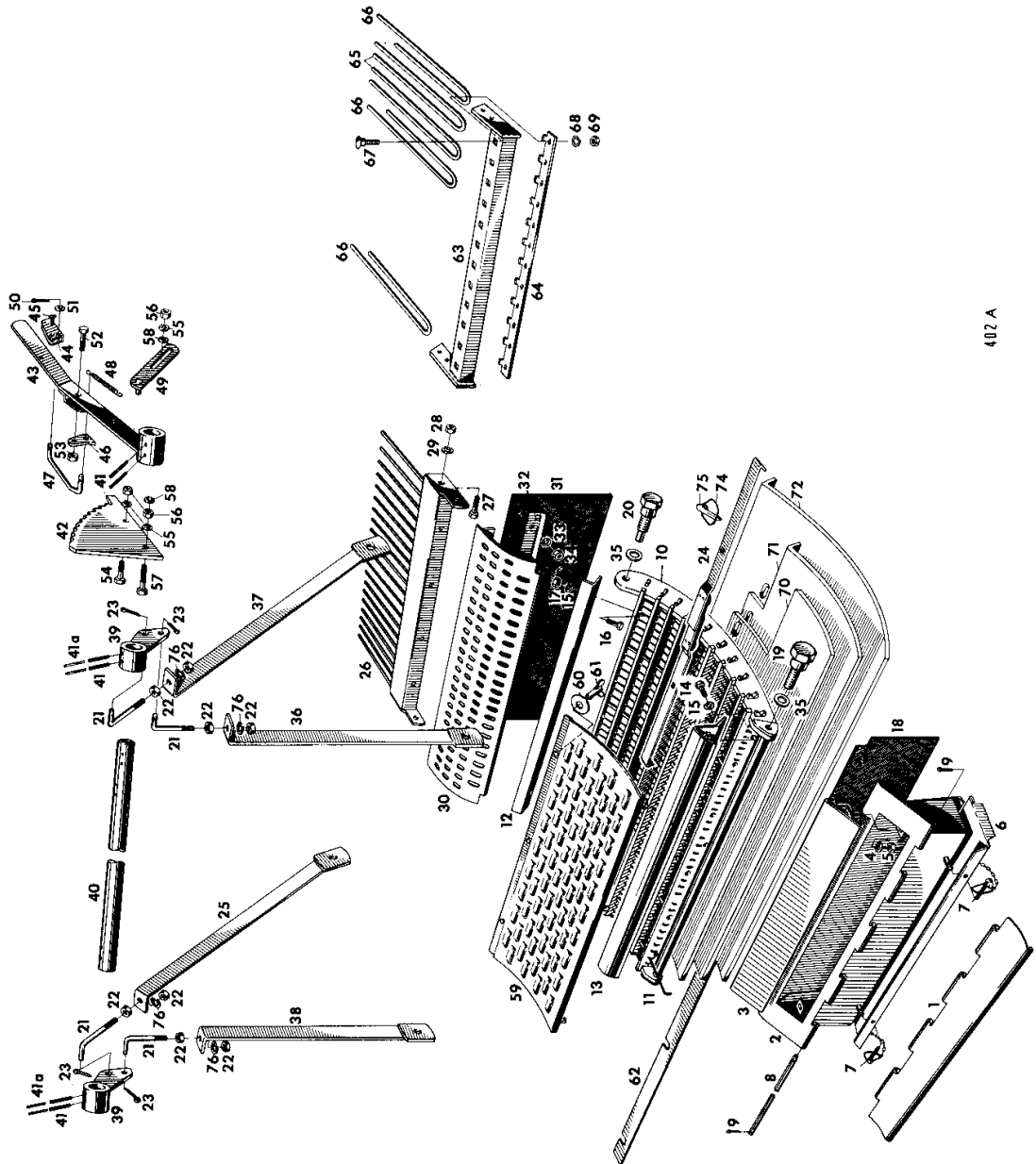
MF 31 COMBINE - 415718

12-2

DRESCHKORB

CONCAVE

CONTRE-BATTEUR



4102 A

Mähdrösch MF 31

415 718 M2 (Ausgabe 1) 12/70

CONCAVE

| Item | Part Number | Qty | Description | Comments |
|------|-------------|-----|---------------|------------|
| 1 | 410776M91 | 1 | Plate | |
| 2 | 410778M91 | 1 | Trap | |
| 3 | 410783M91 | 1 | Plate | |
| 4 | 339374X1 | 2 | Lock Washer | |
| 5 | 339169X1 | 2 | Nut Metric | |
| 6 | 410786M91 | 1 | Door | |
| 7 | 811201M91 | 2 | Lynch Pin 6mm | |
| 8 | 410788M1 | 1 | | |
| 9 | 339058X1 | 2 | Pin | |
| 10 | 1721782M91 | 1 | Concave | |
| 11 | 413475M1 | 30 | Stem | (B, E) |
| | 410854M1 | 35 | Wire | (A, D) |
| 12 | 410793M1 | 1 | Plate | |
| 13 | 1723626M91 | 1 | Plate | |
| 14 | 339761X1 | 3 | Screw Metric | |
| 15 | 339374X1 | 6 | Lock Washer | |
| 16 | 339761X1 | 3 | Screw Metric | |
| 17 | 339169X1 | 3 | Nut Metric | |
| 18 | 410799M1 | 1 | Seal | |
| 19 | 410800M1 | 2 | Trunnion | |
| 20 | 410801M1 | 2 | Bolt | |
| 21 | 410802M1 | 4 | Knotter Hook | |
| 22 | 339054X1 | 8 | Nut Metric | |
| 23 | 339076X1 | 4 | Pin | |
| 24 | 410803M91 | 3 | Strip | (A, D) |
| | 411729M91 | 3 | Strip | (B, E, F) |
| 25 | 410805M92 | 1 | Draglink | Right Hand |
| 26 | 410810M91 | 1 | Finger | |
| 27 | 339124X1 | 4 | Screw Metric | |
| 28 | 339374X1 | 4 | Lock Washer | |
| 29 | 339169X1 | 4 | Nut Metric | |
| 30 | 410816M91 | 1 | Grille | |
| 31 | 410822M1 | 1 | Curtain | |
| 32 | 410823M1 | 1 | Plate | |
| 33 | 339374X1 | 4 | Lock Washer | |
| 34 | 339169X1 | 4 | Nut Metric | |
| 30 | 411915M91 | 1 | Plate | (C) |
| 31 | 411919M1 | 1 | Curtain | (C) |
| 32 | 411920M1 | 1 | Plate | (C) |
| 33 | 339374X1 | 4 | Lock Washer | (C) |
| 34 | 339169X1 | 4 | Nut Metric | (C) |
| 35 | 339574X1 | X | Washer Metric | |
| 36 | 410829M92 | 1 | Draglink | Left Hand |
| 37 | 410833M92 | 1 | Draglink | Left Hand |
| 38 | 410833M92 | 1 | Draglink | Right Hand |
| 39 | 410837M91 | 2 | Lever | |
| 40 | 410838M1 | 1 | Shaft | |
| 41 | 339135X1 | 6 | Pin | |
| 41A | 390294X1 | 6 | Pin | |
| 42 | 410839M1 | 1 | Sector | |
| 43 | 410840M91 | 1 | Lever | |
| 44 | 410014M1 | 1 | Handle | |
| 45 | 391489X1 | 1 | Rivet | |
| 46 | 410018M1 | 1 | Latch | |
| 47 | 410844M1 | 1 | Stem | |
| 48 | 410019M1 | 1 | Spring | |
| 49 | 410845M91 | 1 | Arm | |
| 50 | 339087X1 | 1 | Pin | |
| 51 | 390971X1 | 1 | Washer Metric | |
| 52 | 339804X1 | 1 | Screw Metric | |
| 53 | 339030X1 | 1 | Nut Metric | |
| 54 | 339401X1 | 1 | Screw Metric | |
| 55 | 339376X1 | 3 | Lock Washer | |
| 56 | 339402X1 | 3 | Nut Metric | |
| 57 | 390799X1 | 1 | Screw Metric | |
| 58 | 339424X1 | 2 | Washer | |
| 59 | 411228M91 | 1 | Grille | (A) |
| 60 | 412560M1 | 3 | Washer | (A) |
| 61 | 411235M1 | 3 | Nut | (A) |
| 59 | 411925M91 | 1 | Grille | (B, F) |

CONCAVE

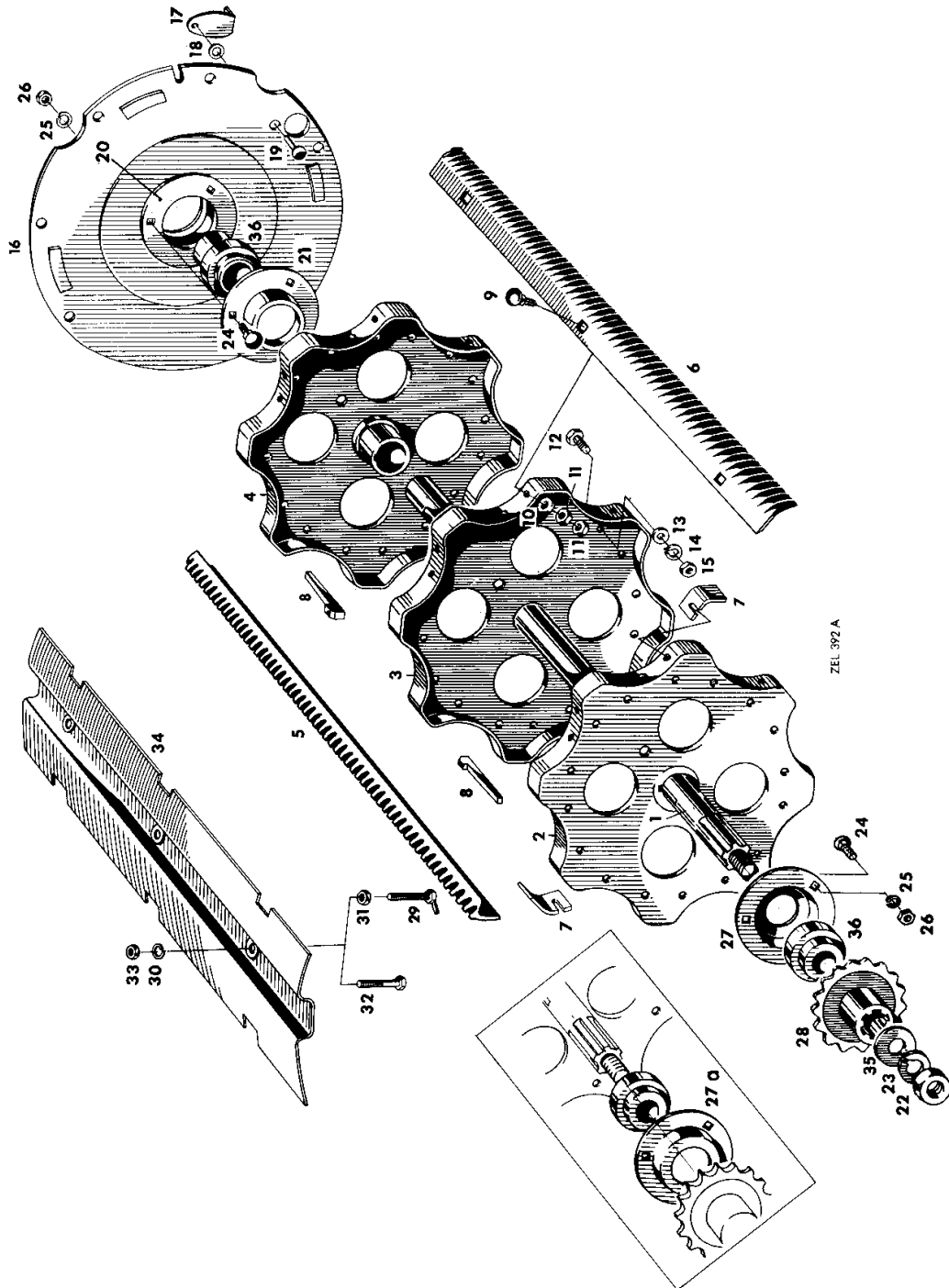
| Item | Part Number | Qty | Description | Comments |
|------|-------------|-----|------------------------------------|----------|
| 60 | 412560M1 | 3 | Washer | (B, F) |
| 61 | 411235M1 | 3 | Nut | (B, F) |
| 62 | 411929M1 | 1 | Strap | (B, F) |
| | 411906M91 | 1 | Rake | (C) |
| 63 | 411907M91 | 1 | Carrier | (C) |
| 64 | 411910M1 | 1 | Plate | (C) |
| 65 | 413489M2 | 6 | Tine | (C) |
| 66 | 411911M1 | 6 | Tine | (C) |
| 67 | 339237X1 | 12 | Screw | (C) |
| 68 | 339376X1 | 12 | Lock Washer | (C) |
| 69 | 339402X1 | 12 | Nut Metric | (C) |
| 70 | 414661M91 | 1 | Plate | (D, G) |
| | 414664M91 | 1 | Plate | (E, G) |
| 71 | 414667M1 | 1 | Plate | (D, G) |
| | 414668M1 | 1 | Plate | (E, G) |
| 72 | 414665M1 | 1 | Plate | (D, G) |
| | 414666M1 | 1 | Plate | (E, G) |
| 74 | 195347M1 | 1 | Ring | (G) |
| 75 | 645677M1 | 1 | Pin | (G) |
| 76 | 390294X1 | 4 | Pin | (G) |
| | | | (A) | |
| | | | Up to Serial or Engine Number 3043 | |
| | | | (B) | |
| | | | From Serial or Engine Number 3044 | |
| | | | (C) | |
| | | | FOR CORN SEED | |
| | | | (D) | |
| | | | NORMAL DUTY | |
| | | | (E) | |
| | | | HEAVY DUTY | |
| | | | (F) | |
| | | | Up to Serial or Engine Number 4634 | |
| | | | (G) | |
| | | | From Serial or Engine Number 4635 | |

12-3

DRESCHTROMMEL
bis Serien-Nr. 4634

CYLINDER
up to No. 4634

BATTEUR
jusqu' au No. 4634



Mähdrrescher MF 31

415 718 M2 (Ausgabe 1) 12/70

CYLINDER

| Item | Part Number | Qty | Description | Comments |
|------|-------------|-----|---------------|------------------------------------|
| | | | | Up to Serial or Engine Number 4634 |
| | 416343M91 | 1 | Cylinder | |
| 1 | 410542M2 | 1 | Shaft | |
| 2 | 410543M91 | 1 | Disc | Left Hand |
| 3 | 411694M1 | 1 | Disc | |
| 4 | 410547M91 | 1 | Disc | Right Hand |
| 5 | 410549M1 | 4 | Bar | (A) Left Hand |
| | 411945M1 | 4 | Bar | (B) Left Hand |
| 6 | 410550M1 | 4 | Bar | (A) Right Hand |
| | 411946M1 | 4 | Bar | (B) Right Hand |
| 7 | 410555M1 | X | Shim | |
| | 410556M1 | X | Shim | |
| | 410557M1 | X | Shim | |
| 8 | 390946X1 | 2 | Key | |
| 9 | 410558M2 | 24 | Bolt | (A) |
| | 411947M2 | 24 | Bolt | (B) |
| 10 | 391396X1 | 24 | Washer Metric | (A) |
| | 390735X1 | 24 | Washer Metric | (B) |
| 11 | 339402X1 | 48 | Nut Metric | (A) |
| | 339054X1 | 48 | Nut Metric | (B) |
| 12 | 339123X1 | X | Screw Metric | (C) |
| 13 | 339609X1 | X | Washer | (C) |
| 14 | 339374X1 | X | Lock Washer | (C) |
| 15 | 339169X1 | X | Nut Metric | (C) |
| 16 | 414719M91 | 1 | Plate | |
| 17 | 401550M1 | 2 | Cover | |
| 18 | 390971X1 | 2 | Washer Metric | |
| 19 | 339212X1 | 2 | Rivet | |
| 20 | 410585M1 | 1 | Ring | |
| 21 | 410584M1 | 1 | Ring | |
| 22 | 339035X1 | 1 | Nut Metric | |
| 23 | 339378X1 | 1 | Lock Washer | |
| 24 | 339172X1 | 6 | Bolt Metric | |
| 25 | 339376X1 | 6 | Lock Washer | |
| 26 | 339402X1 | 6 | Nut Metric | |
| 27 | 410584M1 | 1 | Ring | (D) |
| 27A | 410585M1 | 1 | Ring | (E) |
| 28 | 324794M91 | 1 | Sprocket | Number of teeth/spines 19 |
| | 324796M91 | 1 | Sprocket | Number of teeth/spines 22 |
| | 324798M91 | 1 | Pinion | Number of teeth/spines 25 |
| | 324804M91 | 1 | Sprocket | Number of teeth/spines 29 |
| | 324802M91 | 1 | Pinion | Number of teeth/spines 34 |
| | 324800M91 | 1 | Pinion | Number of teeth/spines 45 |
| | 411904M91 | 1 | Pinion | Number of teeth/spines 54 |
| | | | | (F) |
| 29 | 411921M91 | 3 | Bolt | (F) |
| 30 | 339376X1 | 24 | Lock Washer | (F) |
| 31 | 339402X1 | 3 | Nut Metric | (F) |
| 32 | 390398X1 | 21 | Bolt Metric | (F) |
| 33 | 339402X1 | 24 | Nut Metric | (F) |
| 34 | 411913M91 | 8 | Plate | (F) |
| 35 | 320096M1 | | Washer | |
| 36 | 410583M1 | 2 | Bearing | |
| | | | | (A) |
| | | | | Up to Serial or Engine Number 3276 |
| | | | | (B) |
| | | | | From Serial or Engine Number 3277 |
| | | | | (C) |
| | | | | BALANCE MATERIAL |
| | | | | (D) |
| | | | | From Serial or Engine Number 2256 |
| | | | | (E) |
| | | | | Up to Serial or Engine Number 2255 |
| | | | | (F) |
| | | | | SPECIAL EQUIPMENT FOR CORN SEED |

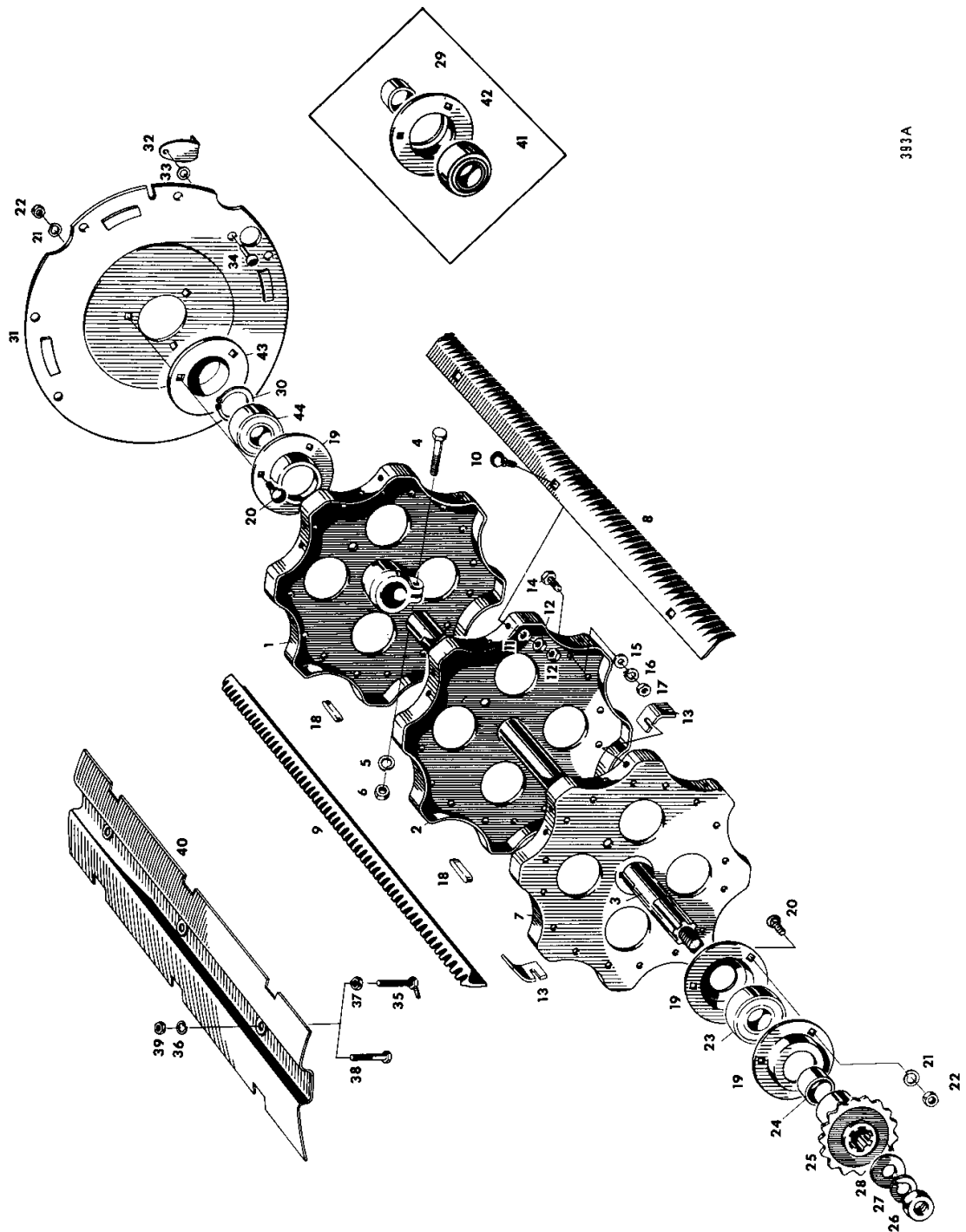
MF 31 COMBINE - 415718

12-4

DRESCHTROMMEL
ab Serien-Nr. 4635

CYLINDER
from No. 4635

BATTEUR
à partir du No. 4635



Mähdrrescher MF 31

415 718 M2 (Ausgabe 1) 12/70

CYLINDER

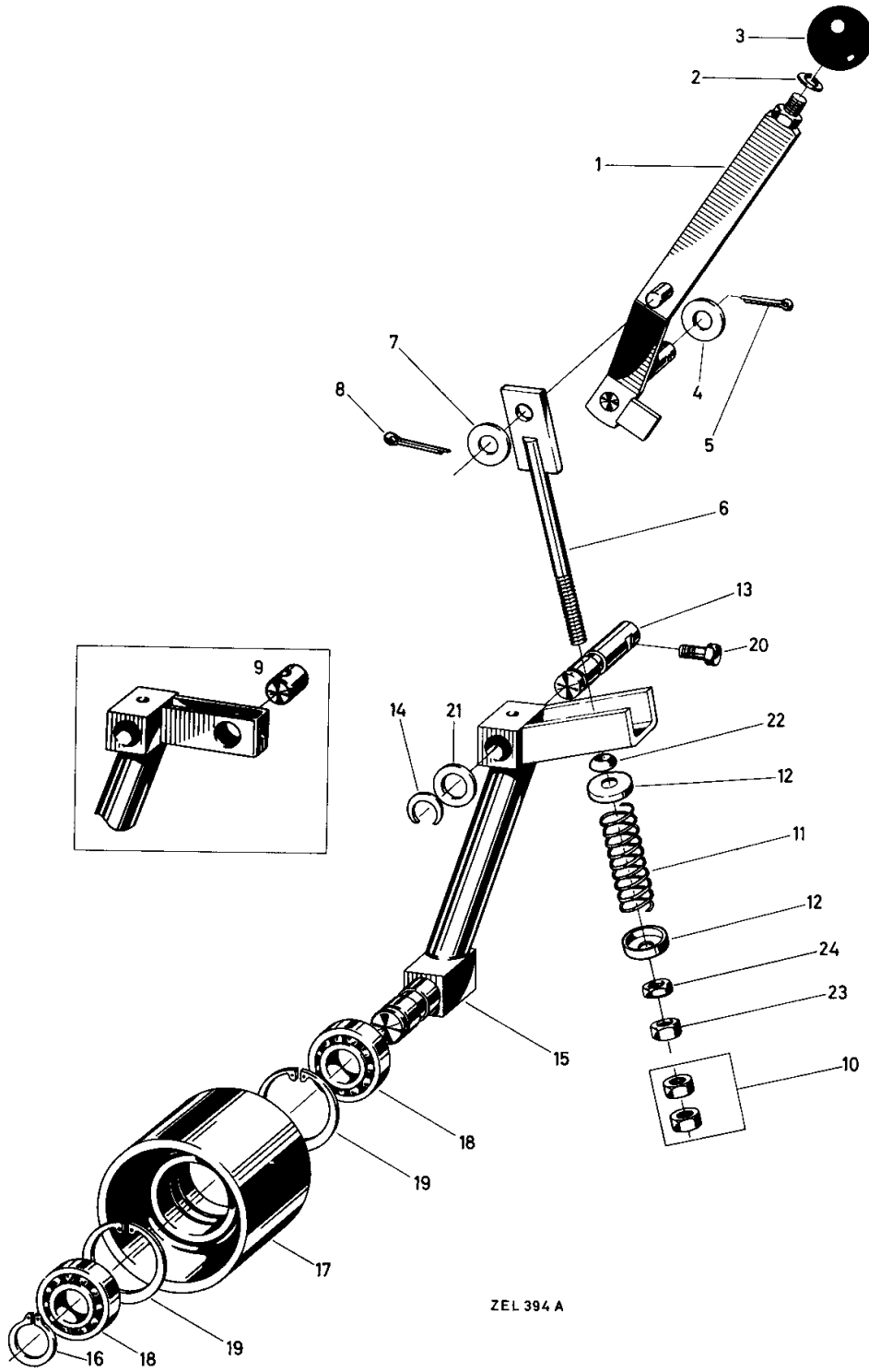
| Item | Part Number | Qty | Description | Comments |
|------|-------------|-----|---------------|------------------------------------|
| | | | | From Serial or Engine Number 4635 |
| | 414932M91 | 1 | Cylinder | |
| 1 | 414697M91 | 1 | Support | Right Hand |
| 2 | 414717M1 | 1 | Support | |
| 3 | 414692M1 | 1 | Shaft | |
| 4 | 339182X1 | 2 | Bolt Metric | |
| 5 | 339377X1 | 2 | Lock Washer | |
| 6 | 339034X1 | 2 | Nut Metric | |
| 7 | 414696M91 | 1 | Support | |
| 8 | 411946M1 | 4 | Bar | Right Hand |
| 9 | 411945M1 | 4 | Bar | Left Hand |
| 10 | 411947M2 | 24 | Bolt | |
| 11 | 390735X1 | 24 | Washer Metric | |
| 12 | 339054X1 | 48 | Nut Metric | |
| 13 | 410555M1 | X | Shim | |
| | 410556M1 | X | Shim | |
| | 410557M1 | X | Shim | |
| 14 | 339123X1 | X | Screw Metric | (B) |
| 15 | 339609X1 | X | Washer | (B) |
| 16 | 339374X1 | X | Lock Washer | (B) |
| 17 | 339169X1 | X | Nut Metric | (B) |
| 18 | 390611X1 | 2 | Key Door | |
| 19 | 414691M1 | 3 | Cage | |
| 20 | 339172X1 | 6 | Bolt Metric | |
| 21 | 339376X1 | 6 | Lock Washer | |
| 22 | 339402X1 | 6 | Nut Metric | |
| 23 | 414690M1 | 1 | Bearing | |
| 24 | 1706479M1 | 1 | Bush | |
| 25 | 324794M91 | 1 | Sprocket | Number of teeth/spines 19 |
| | 324796M91 | 1 | Sprocket | Number of teeth/spines 22 |
| | 324798M91 | 1 | Pinion | Number of teeth/spines 25 |
| | 324804M91 | 1 | Sprocket | Number of teeth/spines 29 |
| | 324802M91 | 1 | Pinion | Number of teeth/spines 34 |
| | 324800M91 | 1 | Pinion | Number of teeth/spines 45 |
| | 411904M91 | 1 | Pinion | Number of teeth/spines 54 (A) |
| 26 | 339035X1 | 1 | Nut Metric | |
| 27 | 339378X1 | 1 | Lock Washer | |
| 28 | 320096M1 | 1 | Washer | |
| 29 | 1706480M1 | 1 | Bush | (C) |
| 30 | 339469X1 | 1 | Segment | |
| 31 | 417148M91 | 1 | Plate | |
| 32 | 401550M1 | 2 | Cover | |
| 33 | 390971X1 | 2 | Washer Metric | |
| 34 | 339212X1 | 2 | Rivet | |
| 35 | 411921M91 | 3 | Bolt | (A) |
| 36 | 339376X1 | 24 | Lock Washer | (A) |
| 37 | 339402X1 | 3 | Nut Metric | (A) |
| 38 | 390398X1 | 21 | Bolt Metric | (A) |
| 39 | 339402X1 | 24 | Nut Metric | (A) |
| 40 | 411913M91 | 8 | Plate | (A) |
| 41 | 414690M1 | 1 | Bearing | (C) |
| 42 | 414690M1 | 1 | Bearing | (C) |
| 43 | 417466M1 | 1 | Cage | (D) |
| 44 | 417465M1 | 1 | Bearing | (D) |
| | | | | (A) |
| | | | | SPECIAL EQUIPMENT FOR CORN SEED |
| | | | | (B) |
| | | | | BALANCE MATERIAL |
| | | | | (C) |
| | | | | Up to Serial or Engine Number 7624 |
| | | | | (D) |
| | | | | From Serial or Engine Number 7625 |

12-5

DRECH KUPPLUNG

TIGHTENER PULLEY

EMBRAYAGE DU
SYSTEME DE BATTAGE

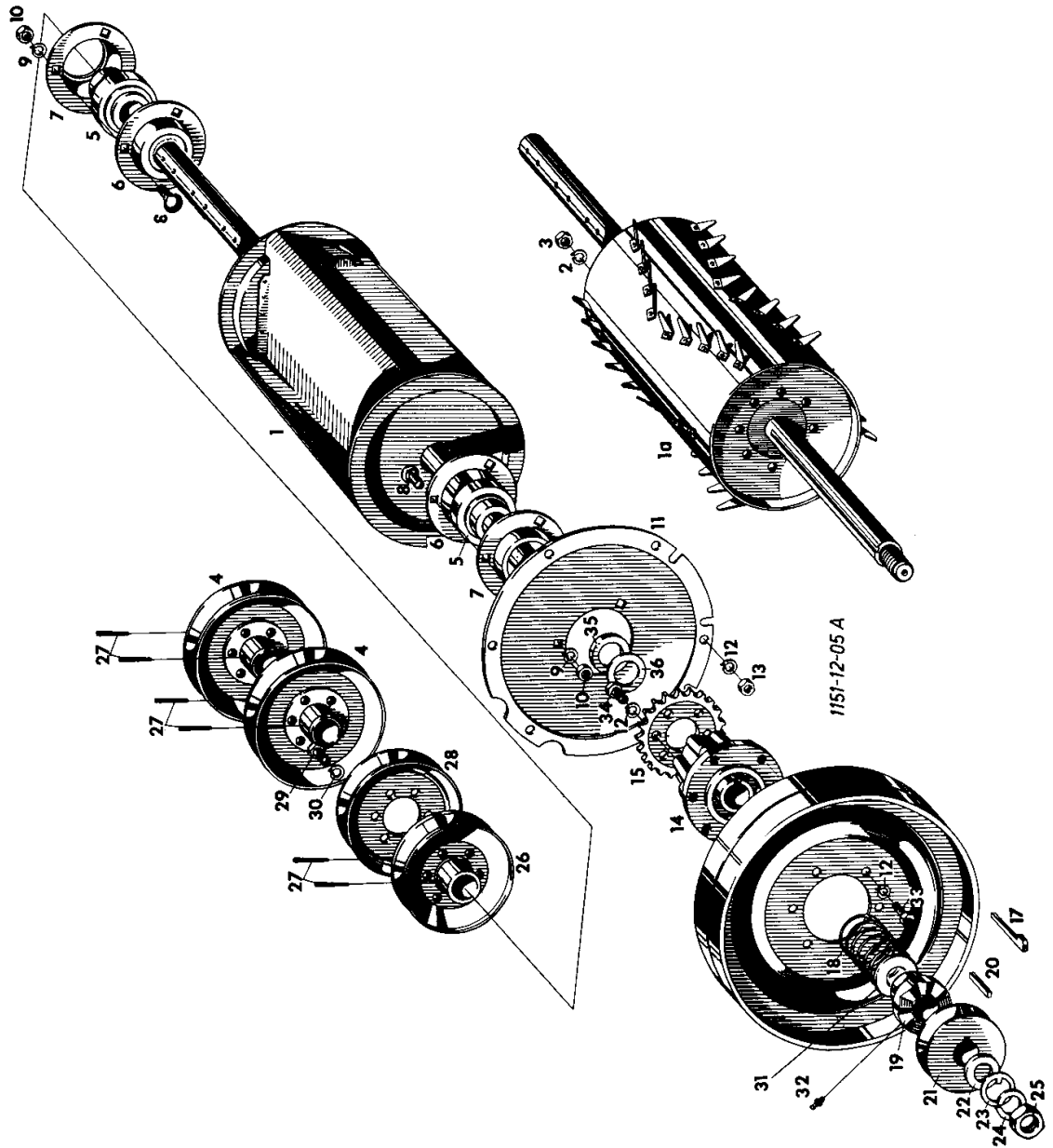


Mähdrösch MF 31

415 718 M2 (Ausgabe 1) 12/70

TIGHTENER PULLEY

| Item | Part Number | Qty | Description | Comments |
|------|-------------|-----|---------------|------------------------------------|
| 1 | 410520M91 | 1 | Lever | (B) |
| | 417379M91 | 1 | Lever | (C) |
| 2 | 339374X1 | 1 | Lock Washer | |
| 3 | 339425X1 | 1 | Knob Assy | |
| 4 | 390187X1 | 1 | Washer Metric | |
| 5 | 339076X1 | 1 | Pin | |
| 6 | 410522M1 | 1 | Rod | (B) |
| | 417381M91 | 1 | Rod | (C) |
| 7 | 339424X1 | 1 | Washer | |
| 8 | 391401X1 | 1 | Pin | |
| 9 | 320365M1 | 1 | Guide | (A) |
| 10 | 339169X1 | 2 | Nut Metric | (B) |
| 11 | 403396M1 | 1 | Spring | (B) |
| | 1706009M1 | 1 | Spring | (C) |
| 12 | 339024X1 | 2 | Washer Metric | (B) |
| | 416564M1 | 2 | Plate | (C) |
| 13 | 410523M1 | 1 | Bolt | |
| 14 | 390777X1 | 1 | Clip | |
| 15 | 410524M93 | 1 | Arm | (B) |
| | 417384M91 | 1 | Arm | (C) |
| 16 | 1440475X1 | 1 | Circlip | |
| 17 | 410529M1 | 1 | Pulley | |
| 18 | 1440489X1 | 2 | Bearing Ball | |
| 19 | 339199X1 | 2 | Ring | |
| 20 | 390228X1 | 1 | Key Parallel | |
| 21 | 411499M1 | 1 | Washer | |
| 22 | 417383M1 | 1 | Washer | (C) |
| 23 | 339054X1 | 1 | Nut Metric | (C) |
| 24 | 339186X1 | 1 | Nut Metric | (C) |
| | | | | (A) |
| | | | | Up to Serial or Engine Number 4190 |
| | | | | (B) |
| | | | | Up to Serial or Engine Number 7409 |
| | | | | (C) |
| | | | | From Serial or Engine Number 7410 |



REAR BEATER

| Item | Part Number | Qty | Description | Comments |
|------|-------------|-----|---------------|--|
| 1 | 411952M91 | 1 | Drum | (A, B) |
| 1A | 410578M93 | 1 | Beater | (B) |
| 2 | 339375X1 | 8 | Lock Washer | |
| 3 | 339030X1 | 8 | Nut Metric | |
| 4 | 405929M91 | 2 | Pulley | |
| 5 | 410583M1 | 2 | Bearing | |
| 6 | 410584M1 | 2 | Ring | |
| 7 | 410585M1 | 2 | Ring | |
| 8 | 339172X1 | 6 | Bolt Metric | |
| 9 | 339376X1 | 6 | Lock Washer | |
| 10 | 339402X1 | 6 | Nut Metric | |
| 11 | 410586M92 | 1 | Plate | |
| 12 | 339374X1 | 17 | Lock Washer | |
| 13 | 339169X1 | 5 | Nut Metric | |
| 14 | 410589M1 | 1 | Hub | |
| 15 | 410590M1 | 1 | Sprocket | Number of teeth/spines 22 |
| 16 | 410591M91 | 1 | Pulley | |
| 17 | 339711X1 | 1 | Key | |
| 18 | 1706029M1 | 1 | Spring | |
| 19 | 410594M1 | 1 | Coupling | Number of teeth/spines 8 |
| 20 | 410595M1 | 1 | Key | |
| 21 | 410596M1 | 1 | Pulley | |
| 22 | 320124M1 | 1 | Washer | |
| 23 | 322714M1 | 1 | Washer | |
| 24 | 339379X1 | 1 | Washer | |
| 25 | 339089X1 | 1 | Nut Metric | |
| 26 | 410597M91 | 1 | Pulley | |
| 27 | 339307X1 | 6 | Roll Pin | |
| 28 | 411940M91 | 1 | Pulley | |
| 29 | 339560X1 | 6 | Screw Metric | |
| 30 | 339375X1 | 6 | Lock Washer | |
| 31 | 391470X1 | 4 | Washer Metric | |
| 32 | 339003X1 | 1 | Greaser | |
| 33 | 390271X1 | 6 | Bolt | |
| 34 | 339761X1 | 6 | Screw Metric | |
| 35 | 410600M1 | 2 | Washer | |
| 36 | 410601M1 | X | Washer | (A) From Serial or Engine Number 3190 (B) ALTERNATIVE |

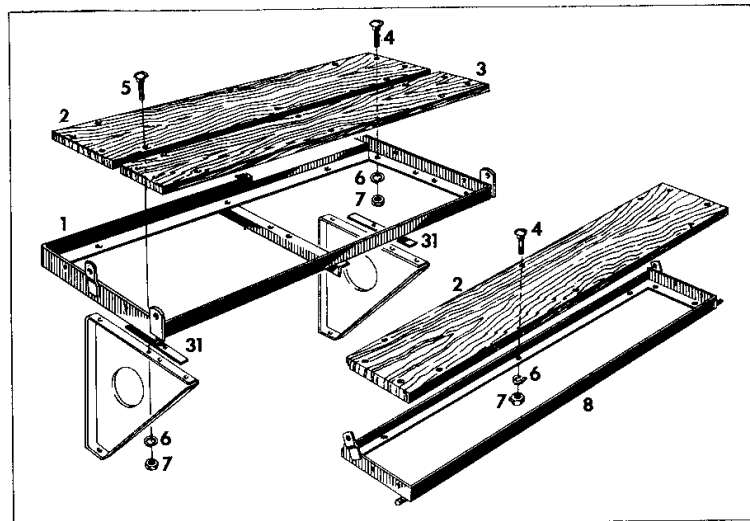
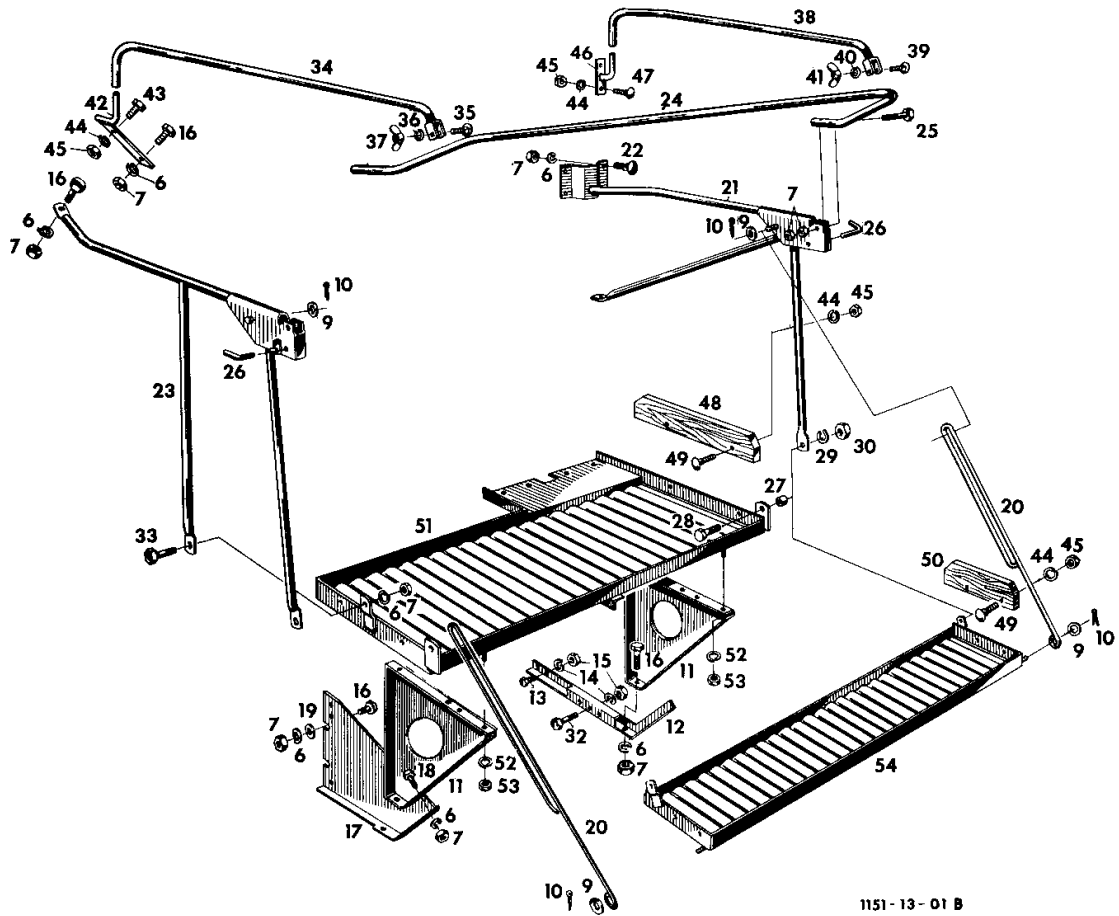
MF 31 COMBINE - 415718

13-1

ABSACKPLATTFORM

PLATFORM

PLATE-FORME
D'ENSACHEMENT



Mährescher MF 31

415 718 M2 (Ausgabe 1) 12/70

PLATFORM

| Item | Part Number | Qty | Description | Comments |
|------|-------------|-----|---------------|----------|
| 1 | 411324M92 | 1 | Frame | (A) |
| 2 | 411317M1 | 2 | Platform | (A) |
| 3 | 411318M1 | 1 | Platform | (A) |
| 4 | 339148X1 | 21 | Bolt | (A) |
| 5 | 339418X1 | 9 | Bolt Metric | (A) |
| 6 | 339374X1 | 48 | Lock Washer | (A) |
| 7 | 339169X1 | 52 | Nut Metric | (A) |
| 8 | 411314M92 | 1 | Frame | (A) |
| 9 | 339795X1 | 4 | Washer Metric | |
| 10 | 339076X1 | 4 | Pin | |
| 11 | 411320M2 | 2 | Support | |
| 12 | 411321M91 | 1 | Angle | |
| 13 | 339081X1 | 2 | Screw Metric | |
| 14 | 339376X1 | 5 | Lock Washer | |
| 15 | 339402X1 | 5 | Nut Metric | |
| 16 | 339123X1 | 6 | Screw Metric | |
| 17 | 411319M1 | 1 | Support | |
| 18 | 339124X1 | 7 | Screw Metric | |
| 19 | 339024X1 | 2 | Washer Metric | |
| 20 | 413091M1 | 2 | Brace | |
| 21 | 411349M91 | 1 | Bar | |
| 22 | 339247X1 | 4 | Bolt | |
| 23 | 411360M91 | 1 | Bar | |
| 24 | 411336M1 | 1 | Rail | |
| 25 | 339011X1 | 2 | Bolt Metric | |
| 26 | 413092M1 | 2 | Pin | |
| 27 | 1706403M1 | 2 | Bush | |
| 28 | 390258X1 | 2 | Screw Metric | |
| 29 | 339380X1 | 2 | Washer | |
| 30 | 339079X1 | 2 | Nut | |
| 31 | 413111M1 | 2 | Shim | (A) |
| 32 | 339556X1 | 3 | Bolt Metric | |
| 33 | 339761X1 | 1 | Screw Metric | |
| 34 | 411695M91 | 1 | Rail | (B) |
| 35 | 339127X1 | 1 | Bolt | (B) |
| 36 | 339374X1 | 1 | Lock Washer | (B) |
| 37 | 339106X1 | 1 | Nut Metric | (B) |
| 38 | 411698M91 | 1 | Rail | (B) |
| 39 | 339127X1 | 1 | Bolt | (B) |
| 40 | 339374X1 | 1 | Lock Washer | (B) |
| 41 | 339106X1 | 1 | Nut Metric | (B) |
| 42 | 411703M91 | 1 | Bracket | (B) |
| 43 | 339761X1 | 1 | Screw Metric | (B) |
| 44 | 339374X1 | 13 | Lock Washer | (B) |
| 45 | 339169X1 | 13 | Nut Metric | (B) |
| 46 | 411700M91 | 1 | Bracket | (B) |
| 47 | 339170X1 | 2 | Screw | (B) |
| 48 | 411706M1 | 2 | Slat | (B) |
| 49 | 339148X1 | 8 | Bolt | (B) |
| 50 | 411705M1 | 2 | Slat | (B) |
| 51 | 411771M91 | 1 | Frame | (C) |
| 52 | 339374X1 | 4 | Lock Washer | (C) |
| 53 | 339169X1 | 4 | Nut Metric | (C) |
| 54 | 411782M91 | 1 | Platform | (C) |

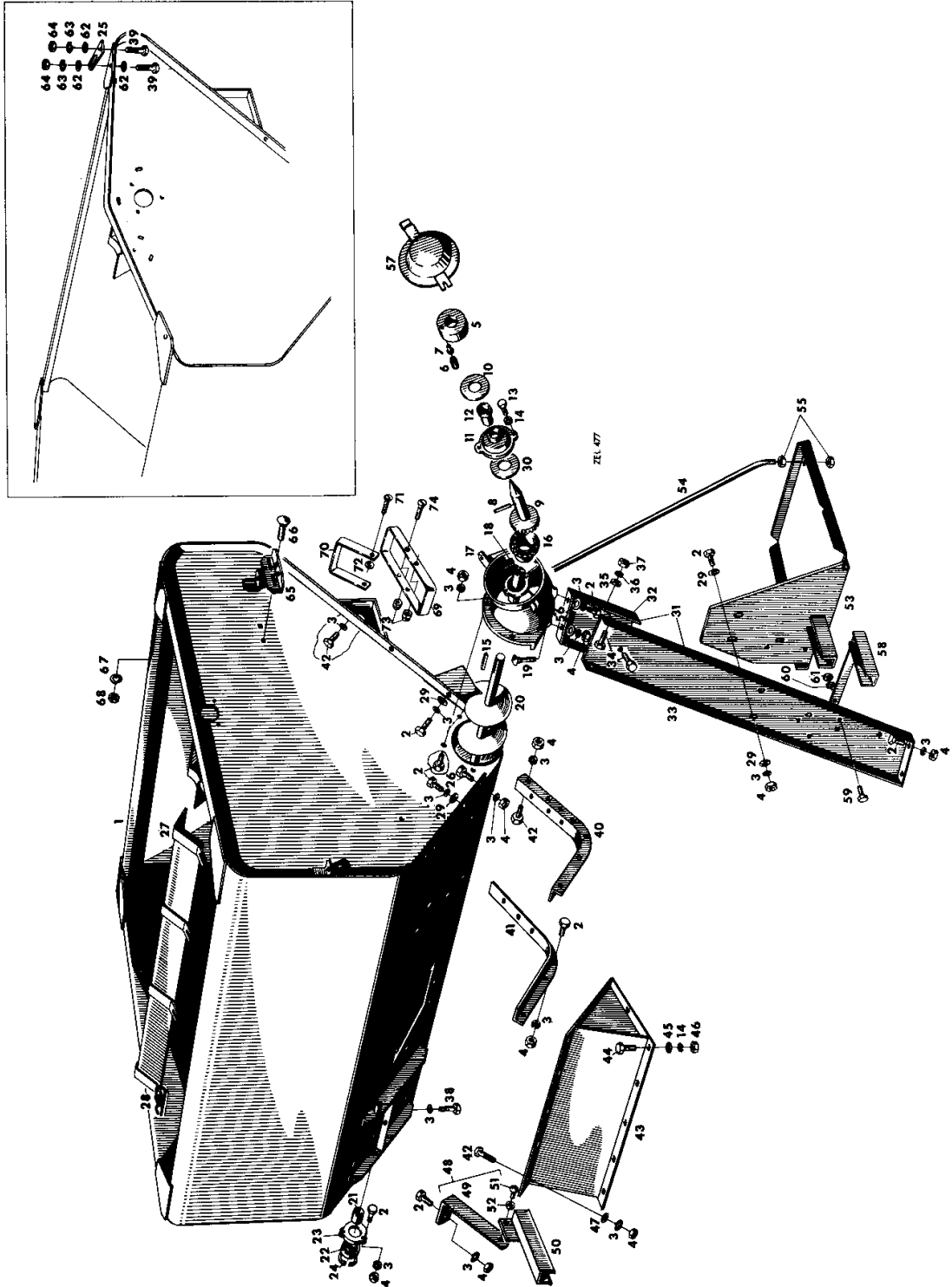
(A)
Up to Serial or Engine Number 3043
(B)
For UK only or any text in English only
From Serial or Engine Number 2230
(C)
From Serial or Engine Number 3044

14-1

KORNTANK

GRAIN TANK

RESERVOIR A GRAINS



Mähdrösch MF 31

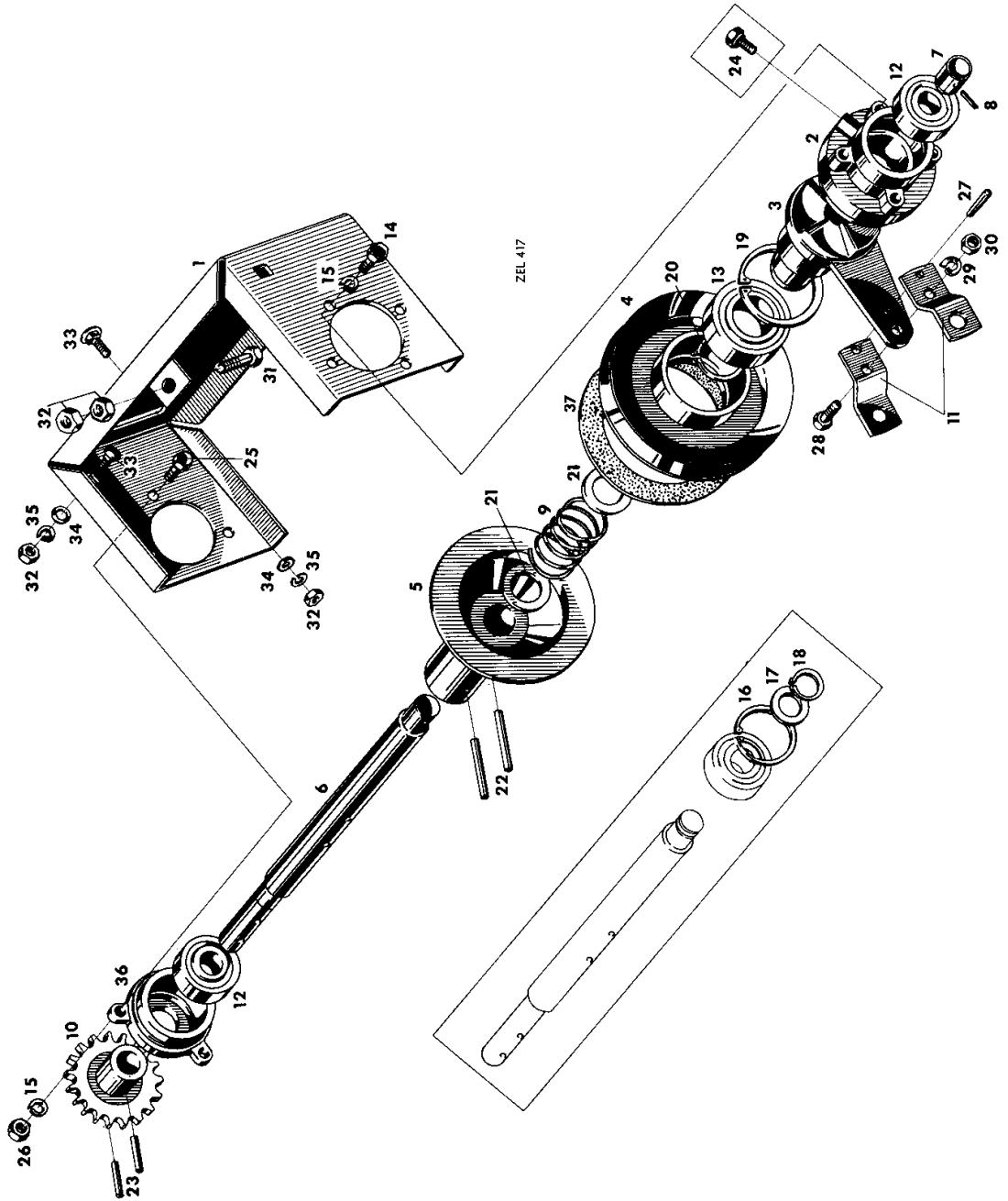
415 718 M2 (Ausgabe 1) 12/70

GRAIN TANK

| Item | Part Number | Qty | Description | Comments |
|------|-------------|-----|---------------|------------|
| 1 | 410469M92 | 1 | Tank | (A) |
| | 411885M91 | 1 | Reservoir | (B) |
| | 414934M91 | 1 | Tank | |
| 2 | 339123X1 | 30 | Screw Metric | |
| 3 | 339374X1 | 49 | Lock Washer | |
| 4 | 339169X1 | 31 | Nut Metric | |
| 5 | 324592M1 | 1 | Body | |
| 6 | 1706028M1 | 1 | Spring | |
| 7 | 324594M1 | 1 | Pin | |
| 8 | 339414X1 | 1 | Pin | |
| 9 | 324595M1 | 1 | Gear | |
| 10 | 339797X1 | 1 | Washer | |
| 11 | 324596M93 | 1 | Cover | |
| 12 | 1706216M1 | 1 | Bush | |
| 13 | 339666X1 | 2 | Screw Metric | |
| 14 | 339375X1 | 11 | Lock Washer | |
| 15 | 390128X1 | 1 | Key Door | |
| 16 | 324598M1 | 1 | Pinion | |
| 17 | 324599M93 | 1 | Housing | |
| 18 | 1706216M1 | 1 | Bush | |
| 19 | 339421X1 | 1 | Bolt Metric | |
| 20 | 324601M91 | 1 | Auger | |
| 21 | 1706267M1 | 1 | Bush | |
| 22 | 339599X1 | 1 | Bearing Ball | |
| 23 | 324606M1 | 1 | Housing | |
| 24 | 339199X1 | 1 | Ring | |
| 25 | 324957M2 | 1 | Plate | (A) |
| 26 | 339761X1 | 2 | Screw Metric | |
| 27 | 324608M91 | 1 | Plate | |
| 28 | 324610M1 | 6 | Pin | |
| 29 | 339056X1 | 18 | Washer Metric | |
| 30 | 339788X1 | 1 | Washer | |
| 31 | 411180M92 | 1 | Support | |
| 32 | 324952M1 | 1 | Compensator | |
| 33 | 324953M2 | 1 | Support | |
| 34 | 339123X1 | 3 | Screw Metric | |
| 35 | 339024X1 | 5 | Washer Metric | |
| 36 | 339374X1 | 3 | Lock Washer | |
| 37 | 339169X1 | 3 | Nut Metric | |
| 38 | 339423X1 | 1 | Bolt Metric | |
| 39 | 339761X1 | 2 | Screw Metric | (A) |
| 40 | 410476M91 | 1 | Support | Left Hand |
| 41 | 410477M91 | 1 | Support | Right Hand |
| 42 | 339124X1 | 15 | Screw Metric | |
| 43 | 411063M91 | 1 | Panel | |
| 44 | 339561X1 | 9 | Bolt | |
| 45 | 390971X1 | 9 | Washer Metric | |
| 46 | 339030X1 | 6 | Nut Metric | |
| 47 | 339817X1 | 3 | Washer Metric | |
| 48 | 411173M91 | 1 | Bracket | (D) |
| | 414527M91 | 1 | Bracket | (E) |
| 49 | 411174M1 | 1 | Bracket | (D) |
| | 414528M1 | 1 | Bracket | (E) |
| 50 | 326616M1 | 1 | Bracket | |
| 51 | 391489X1 | 1 | Rivet | |
| 52 | 390971X1 | 1 | Washer Metric | |
| 53 | 411069M92 | 1 | Platform | (D) |
| | 414526M91 | 1 | Platform | (E) |
| 54 | 411062M1 | 1 | Rod | |
| 55 | 339054X1 | 2 | Nut Metric | |
| 56 | 339024X1 | 2 | Washer Metric | |
| 57 | 411461M91 | 1 | Plug | |
| 58 | 411515M91 | 1 | Support | (C, D) |
| | 414529M91 | 1 | Support | (C, E) |
| 59 | 339081X1 | 2 | Screw Metric | (C) |
| 60 | 339376X1 | 2 | Lock Washer | (C) |
| 61 | 339402X1 | 2 | Nut Metric | (C) |
| 62 | 339056X1 | 3 | Washer Metric | (A) |
| 63 | 339374X1 | 2 | Lock Washer | (A) |
| 64 | 339169X1 | 2 | Nut Metric | (A) |

GRAIN TANK

| Item | Part Number | Qty | Description | Comments |
|------|-------------|-----|---------------|------------------------------------|
| 65 | 411903M1 | 1 | Angle | (B) |
| 66 | 339170X1 | 2 | Screw | (B) |
| 67 | 339374X1 | 2 | Lock Washer | (B) |
| 68 | 339169X1 | 2 | Nut Metric | (B) |
| 69 | 322075M1 | 1 | Holder | (F) |
| 70 | 322076M1 | 1 | Fastener | (F) |
| 71 | 391485X1 | 2 | Screw | (F) |
| 72 | 339056X1 | 2 | Washer Metric | (F) |
| 73 | 391056X1 | 4 | Nut Metric | (F) |
| 74 | 339061X1 | 2 | Screw Metric | (F) |
| | | | | (A) |
| | | | | Up to Serial or Engine Number 3043 |
| | | | | (B) |
| | | | | From Serial or Engine Number 3044 |
| | | | | (C) |
| | | | | FOR COMBINES WITHOUT ROTARY SCREEN |
| | | | | (D) |
| | | | | Up to Serial or Engine Number 6264 |
| | | | | (E) |
| | | | | From Serial or Engine Number 6265 |
| | | | | (F) |
| | | | | From Serial or Engine Number 6015 |
| | | | | Not serviced, order 69-74 |



CLUTCH

| Item | Part Number | Qty | Description | Comments |
|------|-------------|-----|---------------|---------------------------|
| 1 | 411009M91 | 1 | Support | CLUTCH |
| 2 | 416226M1 | 1 | Hub | |
| 3 | 410603M92 | 1 | Lever | |
| 4 | 411013M1 | 1 | Pulley | |
| 5 | 411014M1 | 1 | Disc | |
| 6 | 411015M2 | 1 | Shaft | |
| 7 | 411711M1 | 1 | Bush | (A) |
| 8 | 339071X1 | 1 | Pin | (A) |
| 9 | 1706026M1 | 1 | Spring | |
| 10 | 411016M91 | 1 | Pinion | Number of teeth/spines 19 |
| 11 | 411019M1 | 2 | Bracket | |
| 12 | 339200X1 | 2 | Bearing Ball | |
| 13 | 339800X1 | 1 | Bearing Ball | |
| 14 | 339123X1 | 4 | Screw Metric | |
| 15 | 339374X1 | 7 | Lock Washer | |
| 16 | 339199X1 | 1 | Ring | (A) |
| 17 | 390798X1 | 1 | Washer | (A) |
| 18 | 1440475X1 | 1 | Circlip | (A) |
| 19 | 1440479X1 | 1 | Circlip | |
| 20 | 391064X1 | 1 | Segment | |
| 21 | 390068X1 | 2 | Washer | |
| 22 | 339052X1 | 1 | Strip | |
| 23 | 339662X1 | 2 | Pin | |
| 24 | 390066X1 | 1 | Plug | (B) |
| 25 | 339123X1 | 3 | Screw Metric | |
| 26 | 339169X1 | 3 | Nut Metric | |
| 27 | 339806X1 | 1 | Pin | |
| 28 | 339804X1 | 1 | Screw Metric | |
| 29 | 339375X1 | 1 | Lock Washer | |
| 30 | 339030X1 | 1 | Nut Metric | |
| 31 | 390122X1 | 1 | Bolt Metric | |
| 32 | 339402X1 | 6 | Nut Metric | |
| 33 | 410558M2 | 4 | Bolt | |
| 34 | 391396X1 | 4 | Washer Metric | |
| 35 | 339376X1 | 4 | Lock Washer | |
| 36 | 324606M1 | 1 | Housing | |
| 37 | 324623M1 | 1 | Lining | |

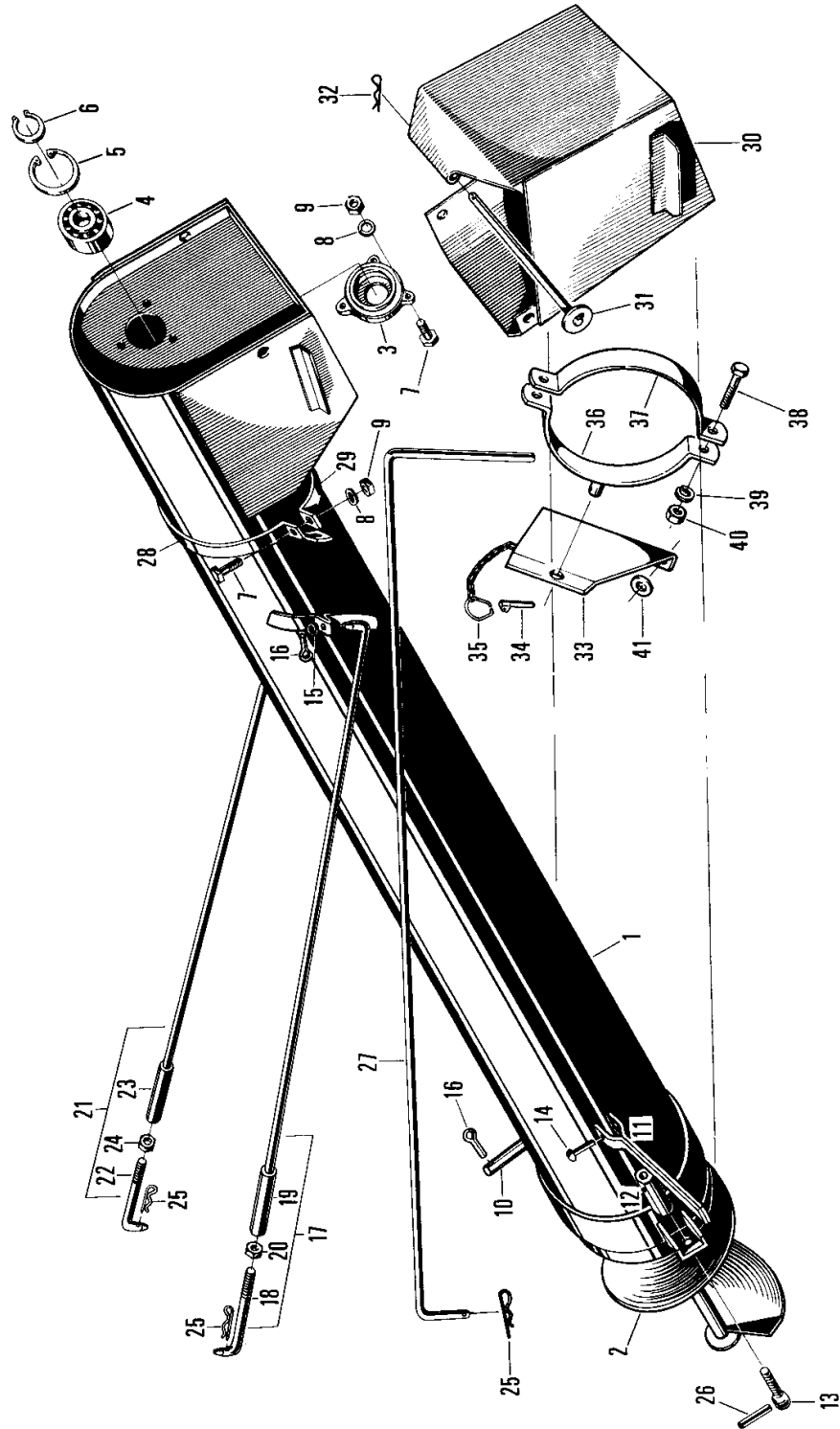
(A)
Up to Serial or Engine Number 2243
(B)
Up to Serial or Engine Number 5761

14-3

AUSLAUFROHR UND SCHALTER
FÜR KORNTANKENTLEERUNG

UNLOADER PIPE AND
CONTROL FOR GRAIN
TANK UNLOADING

DECHARGEUR AVEC
COMMANDE



574

Mähdrescher MF 31

415 718 M2 (Ausgabe 1) 12/70

**MASSEY FERGUSON
MF 31 COMBINE - 415718**

415718

14-3

UNLOADER PIPE AND CONTROL FOR GRAIN TANK UNLOADING

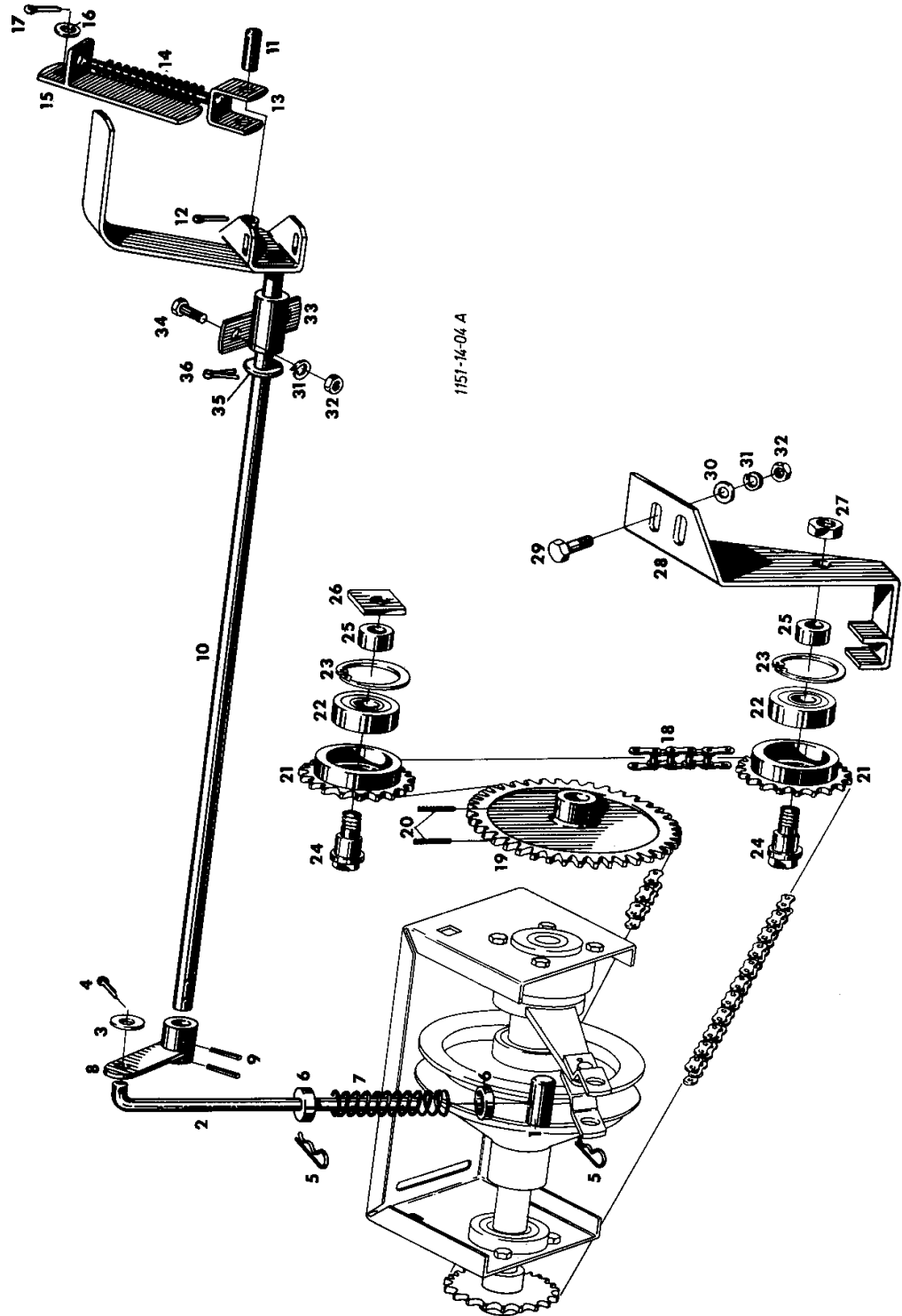
| Item | Part Number | Qty | Description | Comments |
|------|-------------|-----|---------------|----------------------------|
| 1 | 324562M93 | 1 | Pipe | |
| | 417109M91 | 1 | Tube | |
| 2 | 324573M94 | 1 | Auger | (B) |
| | 417113M91 | 1 | Auger | (A) |
| 3 | 324606M1 | 1 | Housing | |
| 4 | 339599X1 | 1 | Bearing Ball | |
| 5 | 339199X1 | 1 | Ring | |
| 6 | 390310X1 | 1 | Circlip | |
| 7 | 339123X1 | 5 | Screw Metric | |
| 8 | 339374X1 | 5 | Lock Washer | |
| 9 | 339169X1 | 5 | Nut Metric | |
| 10 | 324578M1 | 1 | Clevis Pin | |
| 11 | 324579M91 | 1 | Handle | |
| 12 | 324581M1 | 1 | Bush | |
| 13 | 390129X1 | 1 | Bolt Metric | |
| 15 | 339763X1 | 2 | Washer | |
| 16 | 339058X1 | 4 | Pin | |
| 17 | 324927M91 | 1 | Rod | (B) |
| | 417388M91 | 1 | Stem | (A) |
| 18 | 324924M1 | 1 | Stem | (B) |
| | 417391M1 | 1 | Rod | (A) |
| 19 | 324926M91 | 1 | Rod | (B) |
| | 417389M91 | 1 | Rod | (A) |
| 20 | 339054X1 | 1 | Nut Metric | |
| 21 | 324928M91 | 1 | | (B) |
| | 417392M91 | 1 | Stem | (A) |
| 22 | 324925M1 | 1 | Stem | (B) |
| | 417391M1 | 1 | Rod | (A) |
| 23 | 324926M91 | 1 | Rod | (B) |
| | 417393M91 | 1 | Rod | (A) |
| 24 | 339054X1 | 1 | Nut Metric | |
| 25 | 346162X1 | 3 | Pin | |
| 26 | 390157X1 | 1 | Pin | |
| 27 | 324584M1 | 1 | Stem | (B) |
| | 417130M1 | 1 | Rod | (A) |
| 28 | 324586M1 | 1 | Clamp | |
| 29 | 324587M1 | 1 | Clamp | |
| 30 | 410377M91 | 1 | Extension | |
| 31 | 410382M91 | 2 | Rod | |
| 32 | 410366M1 | 2 | Pin | |
| 33 | 417497M91 | 1 | Support | |
| 34 | 195346M1 | 1 | Pin | |
| 35 | 195347M1 | 1 | Ring | |
| 36 | 417499M91 | 1 | Clip | |
| 37 | 324587M1 | 1 | Clamp | |
| 38 | 339761X1 | 2 | Screw Metric | |
| 39 | 339374X1 | 2 | Lock Washer | |
| 40 | 339169X1 | 2 | Nut Metric | |
| 41 | 391166X1 | 3 | Washer Metric | |
| | | | | (A) |
| | | | | W / UNLOADING PIPE 2395 MM |
| | | | | (B) |
| | | | | W / UNLOADING PIPE 1395 MM |

14-4

KORNTANKENTLEERUNGS-
ANTRIEB

DRIVING SHAFT FOR
TANK UNLOADING

COMMANDE DE
DECHARGEUR

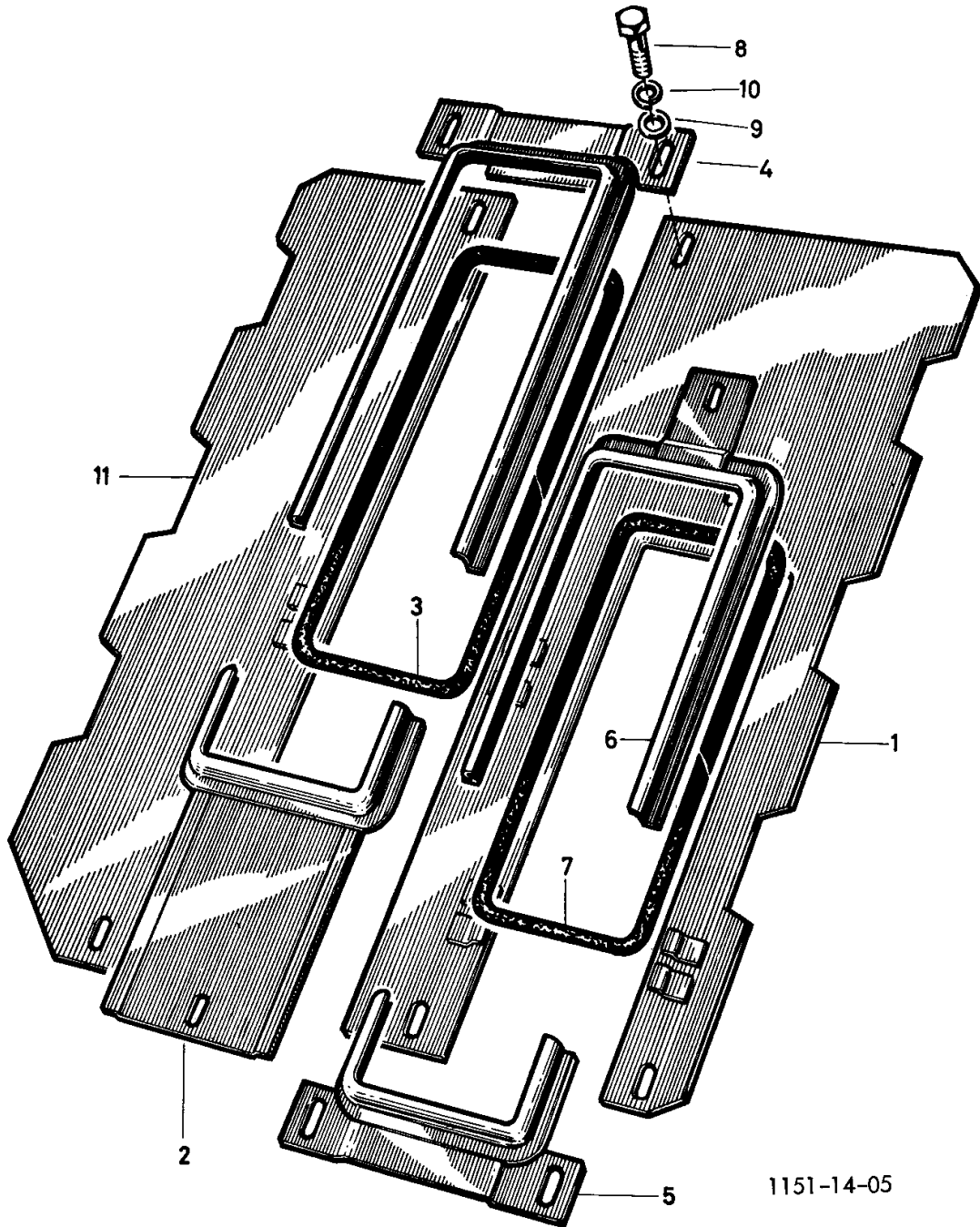


Mährescher MF 31

415 718 M2 (Ausgabe 1) 12/70

DRIVING SHAFT FOR TANK UNLOADING

| Item | Part Number | Qty | Description | Comments |
|------|-------------|-----|-----------------|------------------------------------|
| 1 | 410709M1 | 1 | Pin | |
| 2 | 410699M1 | 1 | Stem | |
| 3 | 339424X1 | 1 | Washer | |
| 4 | 391402X1 | 1 | Pin | |
| 5 | 410366M1 | 2 | Pin | |
| 6 | 410700M1 | 2 | Catch | |
| 7 | 1706017M1 | 1 | Spring | |
| 8 | 411222M91 | 1 | Arm | |
| 9 | 339671X1 | 2 | Pin | |
| 10 | 410705M93 | 1 | Lever | |
| 11 | 390119X1 | 1 | Clevis Pin | |
| 12 | 339747X1 | 1 | Pin | |
| 13 | 324664M91 | 1 | Fork | |
| 14 | 1706027M1 | 1 | Spring | |
| 15 | 324660M91 | 1 | Guide | |
| 16 | 339285X1 | 1 | Washer | |
| 17 | 339058X1 | 1 | Pin | |
| 18 | 410703M1 | 1 | Chain | (A) |
| | 411928M91 | 1 | Chain | (B) |
| 19 | 324653M91 | 1 | Pinion | Number of teeth/spines 41 |
| | | | | (A) |
| | 411926M91 | 1 | Pinion | Number of teeth/spines 35 |
| | | | | (B) |
| 20 | 339052X1 | 2 | Strip | |
| 21 | 324652M1 | 2 | Sprocket | Number of teeth/spines 19 |
| 22 | 339200X1 | 2 | Bearing Ball | |
| 23 | 339199X1 | 2 | Ring | |
| 24 | 324651M1 | 2 | Bolt | |
| 25 | 1706329M1 | 2 | Bush | |
| 26 | 391473X1 | 1 | Nut Metric | |
| 27 | 339682X1 | 1 | Nut Metric | |
| 28 | 410707M91 | 1 | Bracket | |
| 29 | 339123X1 | 2 | Screw Metric | |
| 30 | 339024X1 | 2 | Washer Metric | |
| 31 | 339374X1 | 4 | Lock Washer | |
| 32 | 339169X1 | 4 | Nut Metric | |
| 33 | 411221M91 | 1 | Bearing Carrier | |
| 34 | 339124X1 | 2 | Screw Metric | |
| 35 | 339596X1 | 1 | Washer Metric | |
| 36 | 390448X1 | 1 | Pin | |
| | | | | (A) |
| | | | | Up to Serial or Engine Number 3359 |
| | | | | (B) |
| | | | | From Serial or Engine Number 3360 |



1151-14-05

SEALING PLATES

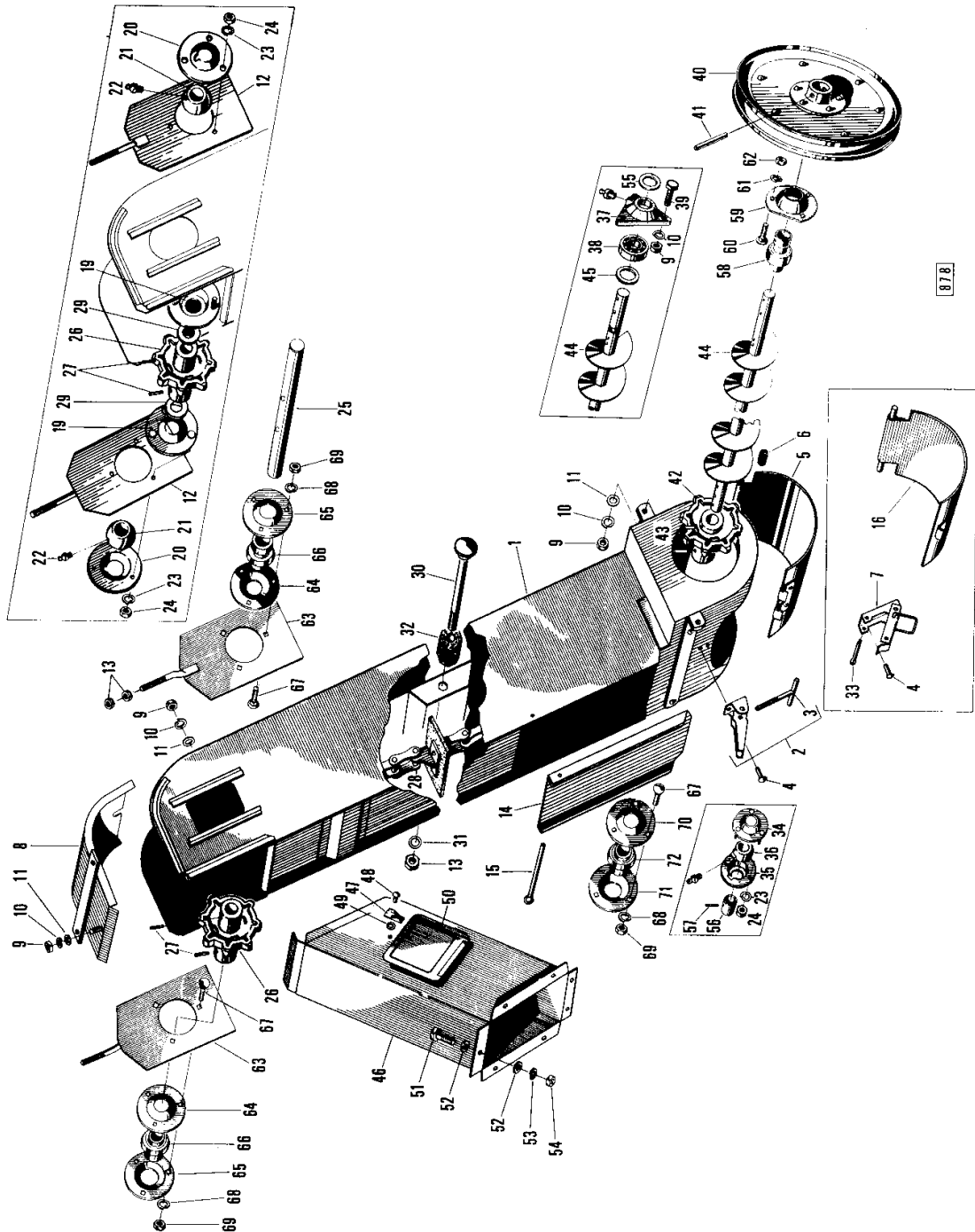
| Item | Part Number | Qty | Description |
|-------------|--------------------|------------|--------------------|
| 1 | 324330M91 | 1 | Plate |
| 2 | 324333M91 | 1 | Frame |
| 3 | 324337M1 | 1 | Gasket |
| 4 | 324338M91 | 1 | Frame |
| 5 | 324342M91 | 1 | Frame |
| 6 | 324344M91 | 1 | Frame |
| 7 | 324347M1 | 1 | Gasket |
| 8 | 339124X1 | 7 | Screw Metric |
| 9 | 339024X1 | 7 | Washer Metric |
| 10 | 339374X1 | 7 | Lock Washer |
| | 339169X1 | 6 | Nut Metric |
| 11 | 324864M91 | 1 | Plate |

15-1

ÜBERKEHRELEVATOR
Tankmaschinen
bis Serien-Nr. 8109

GLEANINGS ELEVATOR
Tank Machines
up to No. 8109

ELEVATEUR A OTONS
machines avec réservoir à grains
jusqu' au No. 8109



Mährescher MF 31

415 718 M2 (Ausgabe 1) 12/70

GLEANINGS ELEVATOR - TANK MACHINES

| Item | Part Number | Qty | Description | Comments |
|------|-------------|-----|-----------------|------------------------------------|
| | | | | TANK MACHINES |
| | | | | Up to Serial or Engine Number 8109 |
| 1 | 410538M92 | 1 | Housing | (A) |
| | 411775M91 | 1 | Housing | (B) |
| 2 | 417461M91 | 1 | Fastener | (F) |
| 3 | 417472M91 | 1 | Knotter Hook | (F) |
| 4 | 339431X1 | 2 | Rivet | |
| 5 | 417470M91 | 1 | Gate | (F) |
| 6 | 320617M1 | 2 | Sleeve | (F) |
| 7 | 320273M1 | 1 | Hasp | (E) |
| 8 | 324680M91 | 1 | Cover | |
| 9 | 339169X1 | 7 | Nut Metric | |
| 10 | 339374X1 | 7 | Lock Washer | |
| 11 | 339056X1 | 4 | Washer Metric | |
| 12 | 324683M91 | 2 | Plate | (A) |
| 13 | 339402X1 | 5 | Nut Metric | |
| 14 | 320763M2 | 1 | Cover | |
| 15 | 339138X1 | 1 | Pin | |
| 16 | 320280M92 | 1 | Bottom | (E) |
| 19 | 322118M93 | 2 | Ring | (A) |
| 20 | 320235M2 | 2 | Ring | (A) |
| 21 | 323378M91 | 2 | Bearing | (A) |
| 22 | 390843X1 | 2 | Nipple | (A) |
| 23 | 339375X1 | 9 | Lock Washer | |
| 24 | 339030X1 | 9 | Nut Metric | |
| 25 | 320881M1 | 1 | Shaft | (A) |
| | 411781M1 | 1 | Shaft | (B) |
| 26 | 320030M3 | 1 | Sprocket | Number of teeth/spines 8 |
| 27 | 339135X1 | 2 | Pin | |
| 28 | 410169M91 | 1 | Chain | |
| 29 | 391382X1 | 2 | Washer Metric | (A) |
| 30 | 339151X1 | 1 | Bolt | |
| 31 | 339025X1 | 1 | Washer Metric | |
| 32 | 324791M1 | 1 | Block | |
| 33 | 339232X1 | 1 | Pin | (E) |
| 34 | 401315M91 | 1 | Thruster | (A) |
| 35 | 323590M1 | 1 | Plate | (C) |
| | 412620M1 | 1 | Plate | (D) |
| 36 | 328544M91 | 1 | Bearing | (C) |
| | 412618M91 | 1 | Bearing | (D) |
| | 390843X1 | 1 | Nipple | |
| 37 | 320003M1 | 1 | Bearing Carrier | (A) |
| | 339003X1 | 1 | Greaser | (A) |
| 38 | 1440491X1 | 1 | Bearing Ball | (A) |
| 39 | 339123X1 | 3 | Screw Metric | |
| 40 | 410691M91 | 1 | Pulley | |
| 41 | 339192X1 | 2 | Pin | |
| 42 | 405264M1 | 1 | Sprocket | |
| 43 | 339052X1 | 2 | Strip | |
| 44 | 410692M91 | 1 | Auger | (C) |
| | 411656M91 | 1 | Auger | (D) |
| | 411868M91 | 1 | Auger | (B) |
| 45 | 391384X1 | X | Washer Metric | (A) |
| 46 | 324693M91 | 1 | Channel | |
| 47 | 320719M2 | 1 | Tie | |
| 48 | 390082X1 | 1 | Bracket | |
| 49 | 390971X1 | 2 | Washer Metric | |
| 50 | 321756M1 | 1 | Trap | |
| 51 | 339560X1 | 7 | Screw Metric | |
| 52 | 339588X1 | 14 | Washer | |
| 53 | 339375X1 | 7 | Lock Washer | |
| 54 | 339030X1 | 7 | Nut Metric | |
| 55 | 390393X1 | X | | (A) |
| 56 | 413364M1 | 1 | Bush | (D) |
| 57 | 339662X1 | 1 | Pin | (D) |
| 58 | 412260M1 | 1 | Bearing Assy | (B) |
| 59 | 411897M1 | 1 | Cage | (B) |
| 60 | 339247X1 | 3 | Bolt | (B) |
| 61 | 339374X1 | 3 | Lock Washer | (B) |
| 62 | 339169X1 | 3 | Nut Metric | (B) |

GLEANINGS ELEVATOR - TANK MACHINES

| Item | Part Number | Qty | Description | Comments |
|------|-------------|-----|--------------|------------------------------------|
| 63 | 411779M92 | 2 | Plate | (B) |
| 64 | 411745M1 | 2 | Ring | (B) |
| 65 | 412245M1 | 2 | Ring | (B) |
| 66 | 412243M1 | 2 | Bearing | (B) |
| 67 | 339247X1 | 9 | Bolt | (B) |
| 68 | 339374X1 | 9 | Lock Washer | (B) |
| 69 | 339169X1 | 9 | Nut Metric | (B) |
| 70 | 412315M1 | 1 | Ring | (B) |
| 71 | 412261M1 | 1 | Ring | (B) |
| 72 | 412260M1 | 1 | Bearing Assy | (B) |
| | | | | (A) |
| | | | | Up to Serial or Engine Number 3043 |
| | | | | (B) |
| | | | | From Serial or Engine Number 3044 |
| | | | | (C) |
| | | | | NO. 2244 - NO. 3043 |

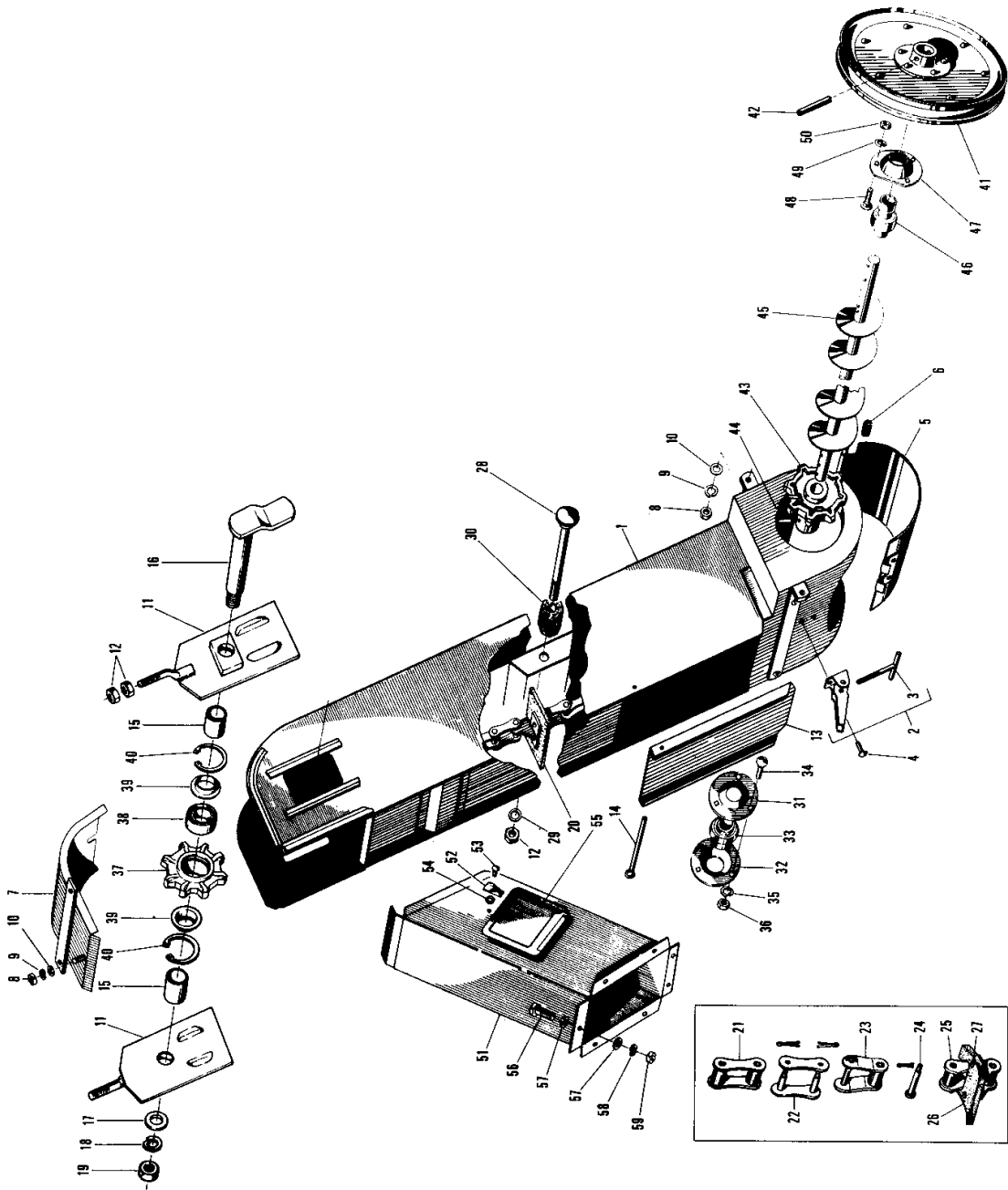
15-2

ÜBERKEHRELEVATOR
Tankmaschinen
ab Serien-Nr. 8110

GLEANINGS ELEVATOR
Tank Machines
from No. 8110

ELEVATEUR A OTONS
machines avec réservoir à grains
à partir du No. 8110

833



Mährescher MF 31

415 718 M2 (Ausgabe 1) 12/70

GLEANINGS ELEVATOR - TANK MACHINES

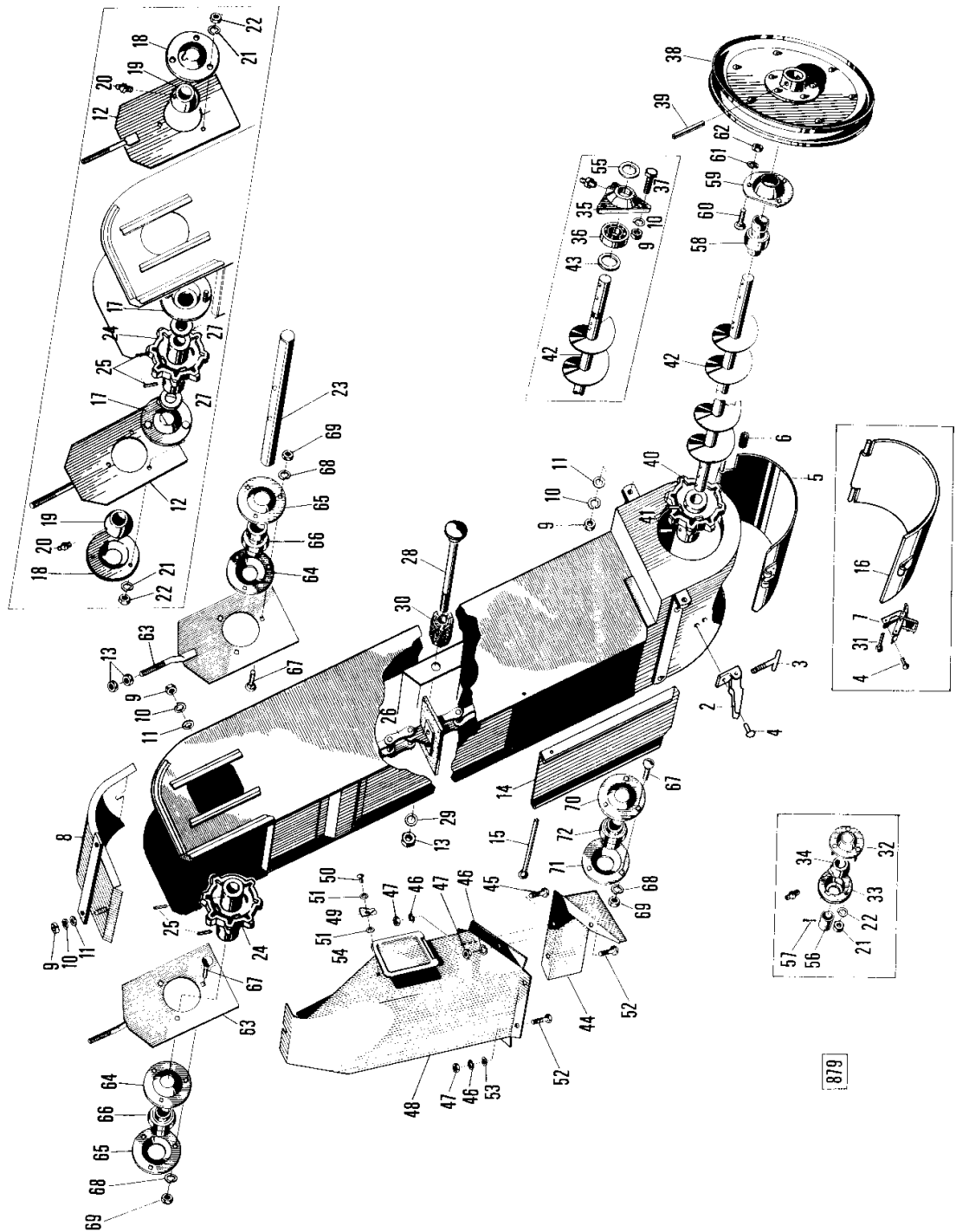
| Item | Part Number | Qty | Description | Comments |
|------|-------------|-----|-----------------|-----------------------------------|
| | | | | TANK MACHINES |
| | | | | From Serial or Engine Number 8110 |
| 1 | 411775M91 | 1 | Housing | |
| 2 | 417461M91 | 1 | Fastener | |
| 3 | 417472M91 | 1 | Knotter Hook | |
| 4 | 339431X1 | 2 | Rivet | |
| 5 | 417470M91 | 1 | Gate | Bottom |
| 6 | 320617M1 | 2 | Sleeve | |
| 7 | 324680M91 | 1 | Cover | |
| 8 | 339169X1 | 4 | Nut Metric | |
| 9 | 339374X1 | 4 | Lock Washer | |
| 10 | 339056X1 | 4 | Washer Metric | |
| 11 | 417662M91 | 2 | Plate | |
| 12 | 339402X1 | 5 | Nut Metric | |
| 13 | 320763M2 | 1 | Cover | |
| 14 | 339138X1 | 1 | Pin | |
| 15 | 417670M1 | 2 | Spacer | |
| 16 | 417665M91 | 1 | Clevis Pin | |
| 17 | 391387X1 | 1 | Washer Metric | |
| 18 | 339054X1 | 1 | Nut Metric | |
| 19 | 339054X1 | 1 | Nut Metric | |
| 20 | 410169M91 | 1 | Chain | |
| 21 | 329176M91 | X | Link | |
| 22 | 329797M91 | X | Connecting Link | |
| 23 | 329179M91 | X | Link | |
| 24 | 329847M91 | X | Clevis Pin | |
| 25 | 410172M91 | 24 | Link | |
| 26 | 320335M1 | 24 | Plate | |
| 27 | 390062X1 | 48 | Rivet | |
| 28 | 339151X1 | 1 | Bolt | |
| 29 | 339025X1 | 1 | Washer Metric | |
| 30 | 324791M1 | 1 | Block | |
| 31 | 412315M1 | 1 | Ring | |
| 32 | 412261M1 | 1 | Ring | |
| 33 | 412260M1 | 1 | Bearing Assy | |
| 34 | 339247X1 | 3 | Bolt | |
| 35 | 339374X1 | 3 | Lock Washer | |
| 36 | 339169X1 | 3 | Nut Metric | |
| 37 | 414842M1 | 1 | Sprocket | |
| 38 | 391057X1 | 1 | Bearing Ball | |
| 39 | 417669M1 | 2 | Cap | |
| 40 | 391061X1 | 2 | Circlip | |
| 41 | 410691M91 | 1 | Pulley | |
| 42 | 339192X1 | 2 | Pin | |
| 43 | 414462M1 | 1 | Sprocket | |
| 44 | 339052X1 | 2 | Strip | |
| 45 | 411868M91 | 1 | Auger | |
| 46 | 412260M1 | 1 | Bearing Assy | |
| 47 | 411897M1 | 1 | Cage | |
| 48 | 339247X1 | 3 | Bolt | |
| 49 | 339374X1 | 3 | Lock Washer | |
| 50 | 339169X1 | 3 | Nut Metric | |
| 51 | 324693M91 | 1 | Channel | |
| 52 | 320719M2 | 1 | Tie | |
| 53 | 339082X1 | 1 | Rivet | |
| 54 | 390971X1 | 2 | Washer Metric | |
| 55 | 321756M1 | 1 | Trap | |
| 56 | 339560X1 | 7 | Screw Metric | |
| 57 | 339588X1 | 14 | Washer | |
| 58 | 339375X1 | 7 | Lock Washer | |
| 59 | 339030X1 | 7 | Nut Metric | |

15-3

ÜBERKEHRELEVATOR
Absackmaschinen
bis Serien-Nr. 8109

GLEANINGS ELEVATOR
Bagger Machines
up to No. 8109

ELEVATEUR A OTONS
machines avec ensacheur
jusqu' au No. 8109



Mähdrescher MF 31

415 718 M2 (Ausgabe 1) 12/70

GLEANINGS ELEVATOR - BAGGER MACHINES

| Item | Part Number | Qty | Description | Comments |
|------|-------------|-----|-----------------|---|
| | | | | BAGGER MACHINES Up to Serial or Engine Number 8109 |
| 1 | 410538M92 | 1 | Housing | (A) |
| | 411775M91 | 1 | Housing | (B) |
| 2 | 417461M91 | 1 | Fastener | (F) |
| 3 | 417472M91 | 1 | Knotter Hook | (F) |
| 4 | 339431X1 | 2 | Rivet | |
| 5 | 417470M91 | 1 | Gate | Bottom (F) |
| 6 | 320617M1 | 2 | Sleeve | (F) |
| 7 | 320273M1 | 1 | Hasp | (E) |
| 8 | 324680M91 | 1 | Cover | |
| 9 | 339169X1 | 7 | Nut Metric | |
| 10 | 339374X1 | 7 | Lock Washer | |
| 11 | 339056X1 | 4 | Washer Metric | |
| 12 | 324683M91 | 2 | Plate | (A) |
| 13 | 339402X1 | 5 | Nut Metric | |
| 14 | 320763M2 | 1 | Cover | |
| 15 | 339138X1 | 1 | Pin | |
| 16 | 320280M92 | 1 | Bottom | Bottom (E) |
| 17 | 322118M93 | 2 | Ring | (A) |
| 18 | 320235M2 | 2 | Ring | (A) |
| 19 | 323378M91 | 2 | Bearing | (A) |
| 20 | 390843X1 | 2 | Nipple | (A) |
| 21 | 339375X1 | 9 | Lock Washer | |
| 22 | 339030X1 | 9 | Nut Metric | |
| 23 | 320881M1 | 1 | Shaft | (A) |
| | 411781M1 | 1 | Shaft | (B) |
| 24 | 320030M3 | 1 | Sprocket | Number of teeth/spines 8 |
| 25 | 339135X1 | 2 | Pin | |
| 26 | 410169M91 | 1 | Chain | |
| 27 | 391382X1 | 2 | Washer Metric | (A) |
| 28 | 339151X1 | 1 | Bolt | |
| 29 | 339025X1 | 1 | Washer Metric | |
| 30 | 321154M1 | 1 | Block | |
| 31 | 339232X1 | 1 | Pin | (E) |
| 32 | 401315M91 | 1 | Thruster | (A) |
| 33 | 323590M1 | 1 | Plate | (C) |
| | 412620M1 | 1 | Plate | (D) |
| 34 | 328544M91 | 1 | Bearing | (C) |
| | 412618M91 | 1 | Bearing | (D) |
| | 390843X1 | 1 | Nipple | |
| 35 | 320003M1 | 1 | Bearing Carrier | (A) |
| | 339003X1 | 1 | Greaser | (A) |
| 36 | 1440491X1 | 1 | Bearing Ball | (A) |
| 37 | 339123X1 | 3 | Screw Metric | |
| 38 | 410691M91 | 1 | Pulley | |
| 39 | 339192X1 | 2 | Pin | |
| 40 | 405264M1 | 1 | Sprocket | |
| 41 | 339052X1 | 2 | Strip | |
| 42 | 410692M91 | 1 | Auger | (C) |
| | 411656M91 | 1 | Auger | (D) |
| | 411868M91 | 1 | Auger | (B) |
| 43 | 391384X1 | X | Washer Metric | (A) |
| 44 | 411449M1 | 1 | Guard | |
| 45 | 339560X1 | 2 | Screw Metric | |
| 46 | 339375X1 | 6 | Lock Washer | |
| 47 | 339030X1 | 6 | Nut Metric | |
| 48 | 411327M91 | 1 | Channel | |
| 49 | 320719M2 | 1 | Tie | |
| | 411327M91 | | Channel | |
| 50 | 339082X1 | 1 | Rivet | |
| 51 | 390971X1 | 2 | Washer Metric | |
| 52 | 339230X1 | 4 | Screw Metric | |
| 53 | 390971X1 | 3 | Washer Metric | |
| 54 | 321756M1 | 1 | Trap | |
| 55 | 391393X1 | 3 | Washer Metric | (A) |
| 56 | 413364M1 | 1 | Bush | (D) |
| 57 | 339662X1 | 1 | Pin | (D) |

GLEANINGS ELEVATOR - BAGGER MACHINES

| Item | Part Number | Qty | Description | Comments |
|------|-------------|-----|--------------|--|
| 58 | 412260M1 | 1 | Bearing Assy | (B) |
| 59 | 411897M1 | 1 | Cage | (B) |
| 60 | 339247X1 | 3 | Bolt | (B) |
| 61 | 339374X1 | 3 | Lock Washer | (B) |
| 62 | 339169X1 | 3 | Nut Metric | (B) |
| 63 | 411779M92 | 2 | Plate | (B) |
| 64 | 411745M1 | 2 | Ring | (B) |
| 65 | 412245M1 | 2 | Ring | (B) |
| 66 | 412243M1 | 2 | Bearing | (B) |
| 67 | 339247X1 | 9 | Bolt | (B) |
| 68 | 339374X1 | 9 | Lock Washer | (B) |
| 69 | 339169X1 | 1 | Nut Metric | (B) |
| 70 | 412315M1 | 1 | Ring | (B) |
| 71 | 412261M1 | 1 | Ring | (B) |
| 72 | 412260M1 | 1 | Bearing Assy | (B) (A) Up to Serial or Engine Number 3043 (B) From Serial or Engine Number 3044 (D) NO. 2244 - NO. 3043 |

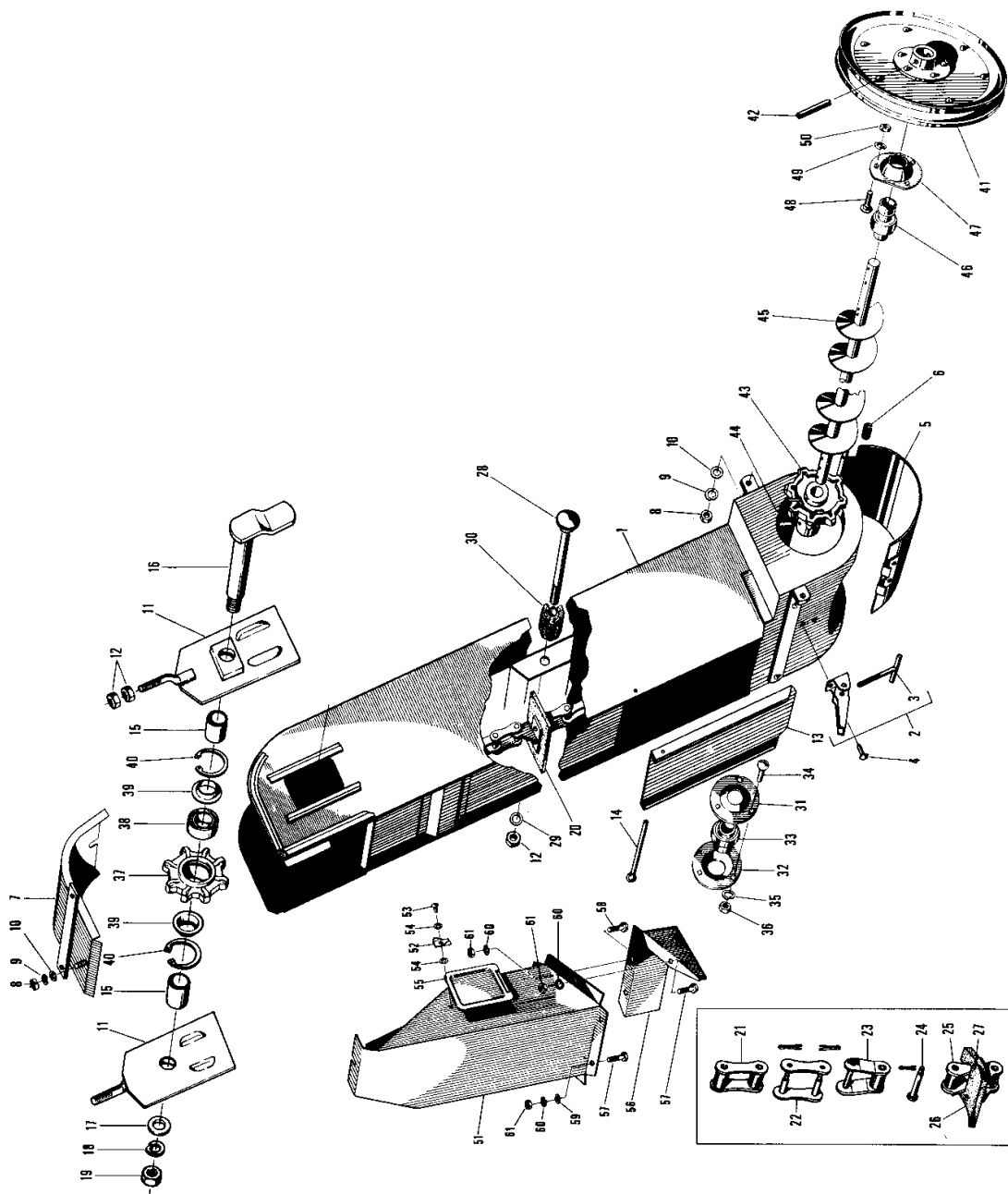
15-4

ÜBERKEHRELEVATOR
Absackmaschinen
ab Serien-Nr 8110

GLEANINGS ELEVATOR
Bagger Machines
from No. 8110

ELEVATEUR A OTONS
machines avec ensacheur
à partir du No. 8110

834



Mährescher MF 31

415 718 M2 (Ausgabe 1) 12/70

GLEANINGS ELEVATOR - BAGGER MACHINES

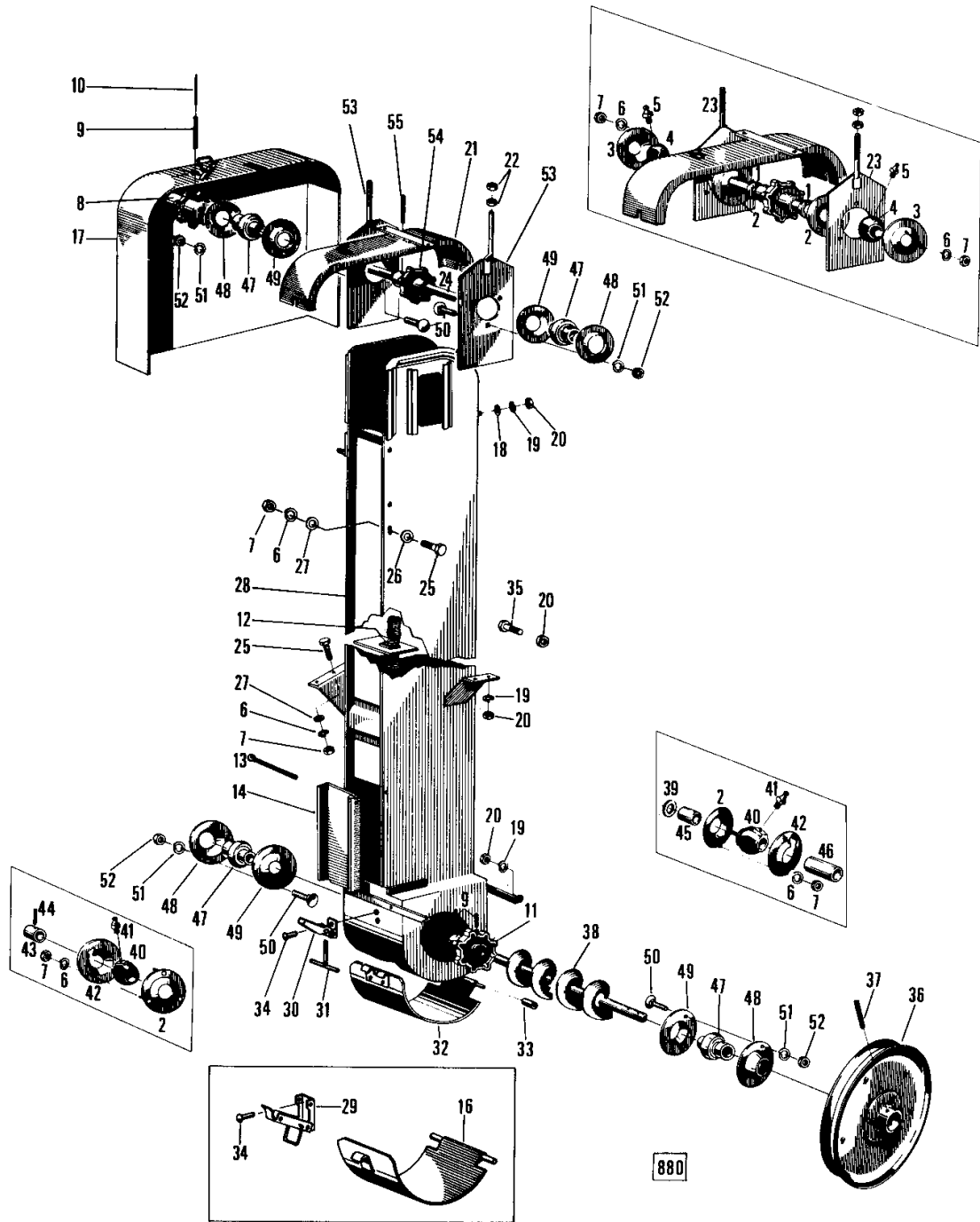
| Item | Part Number | Qty | Description | Comments |
|------|-------------|-----|-----------------|--|
| | | | | BAGGER MACHINES From Serial or Engine Number 8110 |
| 1 | 411775M91 | 1 | Housing | |
| 2 | 417461M91 | 1 | Fastener | |
| 3 | 417472M91 | 1 | Knotter Hook | |
| 4 | 339431X1 | 2 | Rivet | |
| 5 | 417470M91 | 1 | Gate | Bottom |
| 6 | 320617M1 | 2 | Sleeve | |
| 7 | 324680M91 | 1 | Cover | |
| 8 | 339169X1 | 4 | Nut Metric | |
| 9 | 339374X1 | 4 | Lock Washer | |
| 10 | 339056X1 | 4 | Washer Metric | |
| 11 | 417662M91 | 2 | Plate | |
| 12 | 339402X1 | 5 | Nut Metric | |
| 13 | 320763M2 | 1 | Cover | |
| 14 | 339138X1 | 1 | Pin | |
| 15 | 417670M1 | 2 | Spacer | |
| 16 | 417665M91 | 1 | Clevis Pin | |
| 17 | 391387X1 | 1 | Washer Metric | |
| 18 | 339369X1 | 1 | Lock Washer | |
| 19 | 339054X1 | 1 | Nut Metric | |
| 20 | 410169M91 | 1 | Chain | |
| 21 | 329176M91 | X | Link | |
| 22 | 329797M91 | X | Connecting Link | |
| 23 | 329179M91 | X | Link | |
| 24 | 329847M91 | X | Clevis Pin | |
| 25 | 410172M91 | 24 | Link | |
| 26 | 320335M1 | 24 | Plate | |
| 27 | 390062X1 | 48 | Rivet | |
| 28 | 339151X1 | 1 | Bolt | |
| 29 | 339025X1 | 1 | Washer Metric | |
| 30 | 324791M1 | 1 | Block | |
| 31 | 412315M1 | 1 | Ring | |
| 32 | 412261M1 | 1 | Ring | |
| 33 | 412260M1 | 1 | Bearing Assy | |
| 34 | 339247X1 | 3 | Bolt | |
| 35 | 339374X1 | 3 | Lock Washer | |
| 36 | 339169X1 | 3 | Nut Metric | |
| 37 | 414842M1 | 1 | Sprocket | Number of teeth/spines 8 |
| 38 | 391057X1 | 1 | Bearing Ball | |
| 39 | 417669M1 | 2 | Cap | |
| 40 | 391061X1 | 2 | Circlip | |
| 41 | 410691M91 | 1 | Pulley | |
| 42 | 339192X1 | 2 | Pin | |
| 43 | 405264M1 | 1 | Sprocket | |
| 44 | 339052X1 | 2 | Strip | |
| 45 | 411868M91 | 1 | Auger | |
| 46 | 412260M1 | 1 | Bearing Assy | |
| 47 | 411897M1 | 1 | Cage | |
| 48 | 339247X1 | 3 | Bolt | |
| 49 | 339374X1 | 3 | Lock Washer | |
| 50 | 339169X1 | 3 | Nut Metric | |
| 51 | 411327M91 | 1 | Channel | |
| 52 | 320719M2 | 1 | Tie | |
| 53 | 339082X1 | 1 | Rivet | |
| 54 | 390971X1 | 2 | Washer Metric | |
| 55 | 321756M1 | 1 | Trap | |
| 56 | 411449M1 | 1 | Guard | |
| 57 | 339230X1 | 4 | Screw Metric | |
| 58 | 339560X1 | 2 | Screw Metric | |
| 59 | 390971X1 | 3 | Washer Metric | |
| 60 | 339375X1 | 6 | Lock Washer | |
| 61 | 339030X1 | 6 | Nut Metric | |

15-5

KÖRNERELEVATOR
Tankmaschinen
(für Maschinen mit Sortierung)

GRAIN ELEVATOR
Tank Machines
(with Rotary Screen)

ELEVATEUR A GRAINS
machines avec réservoir à grains
(avec tamis cylindrique)



**MASSEY FERGUSON
MF 31 COMBINE - 415718**

415718

15-5

GRAIN ELEVATOR - TANK MACHINES

| Item | Part Number | Qty | Description | Comments |
|------|-------------|-----|---------------|-------------------------------------|
| | | | | TANK MACHINES WITH ROTARY SCREEN |
| 1 | 391382X1 | 2 | Washer Metric | (A) |
| 2 | 322118M933 | 4 | Flange | (A) |
| 3 | 320235M2 | 3 | Ring | (A) |
| 4 | 323378M91 | 3 | Bearing | (A) |
| 5 | 390843X1 | 3 | Nipple | (A) |
| 6 | 339375X1 | 16 | Lock Washer | |
| 7 | 339030X1 | 16 | Nut Metric | |
| 8 | 324728M1 | 1 | Pinion | Number of teeth/spines 6 |
| 9 | 339135X1 | 4 | Pin | |
| 10 | 390294X1 | 2 | Pin | |
| 11 | 320030M3 | 1 | Sprocket | Number of teeth/spines 8 |
| 12 | 410170M91 | 1 | Chain | (A) |
| | 411820M91 | 1 | Chain | (B) |
| | 410170M91 | 1 | Chain | (E) |
| 13 | 339138X1 | 1 | Pin | |
| 14 | 320763M2 | 1 | Cover | |
| 16 | 320280M92 | 1 | Bottom | Bottom (H) |
| | 339232X1 | 2 | Pin | |
| 17 | 324850M91 | 1 | Guard | |
| | 339232X1 | 2 | Pin | |
| 18 | 339056X1 | 2 | Washer Metric | |
| 19 | 339374X1 | 5 | Lock Washer | |
| 20 | 339169X1 | 6 | Nut Metric | |
| 21 | 324777M91 | 1 | Cover | |
| 22 | 339402X1 | 4 | Nut Metric | |
| 23 | 324683M91 | 2 | Plate | (A) |
| 24 | 324779M1 | 1 | Shaft | (A) |
| | 411787M1 | 1 | Shaft | (B) |
| 25 | 339560X1 | 4 | Screw Metric | |
| 26 | 339588X1 | 1 | Washer | |
| 27 | 339692X1 | 4 | Washer | |
| 28 | 411067M91 | 1 | Riser | (A) |
| | 411821M91 | 1 | Riser | (B) |
| | 416123M91 | 1 | Housing | (E) |
| 29 | 417461M91 | 1 | Fastener | (J) |
| 30 | 417472M91 | 1 | Knotter Hook | (J) |
| 31 | 417470M91 | 1 | Gate | Bottom (J) |
| 32 | 339074X1 | 2 | Rivet | |
| 34 | 320273M1 | 1 | Hasp | (H) |
| | 339232X1 | 2 | Pin | (H) |
| 35 | 339228X1 | 1 | Screw Metric | |
| 36 | 320019M92 | 1 | Pulley | |
| 37 | 339192X1 | 2 | Pin | |
| 38 | 322116M92 | 1 | Auger | (C) |
| | 411653M91 | 1 | Auger | (D) |
| | 411866M91 | 1 | Auger | (B, F) |
| | 417279M91 | 1 | Auger | (G) |
| 39 | 391382X1 | X | Washer Metric | |
| 40 | 323378M91 | 2 | Bearing | (C) |
| | 411649M91 | 2 | Bearing | (D) |
| 41 | 390843X1 | 2 | Nipple | |
| 42 | 320235M2 | 2 | Ring | (C) |
| | 411577M1 | 2 | Flange | (D) |
| 43 | 411580M1 | 1 | Insert | (D) |
| 44 | 339258X1 | 1 | Pin | (D) |
| 45 | 411579M1 | 1 | Bush | (D) |
| 46 | 411581M1 | 1 | Bush | (D) |
| 47 | 412243M1 | 4 | Bearing | (B) |
| 48 | 412245M1 | 4 | Ring | (B) |
| 49 | 411745M1 | 4 | Ring | (B) |
| 50 | 339247X1 | 12 | Bolt | (B) |
| 51 | 339374X1 | 12 | Lock Washer | (B) |
| 53 | 411779M92 | 2 | Plate | (B) |
| 54 | 414308M1 | 1 | Sprocket | Number of teeth/spines 8 |
| 55 | 339052X1 | 2 | Strip | (A) |

**MASSEY FERGUSON
MF 31 COMBINE - 415718**

415718

GRAIN ELEVATOR - TANK MACHINES

15-5

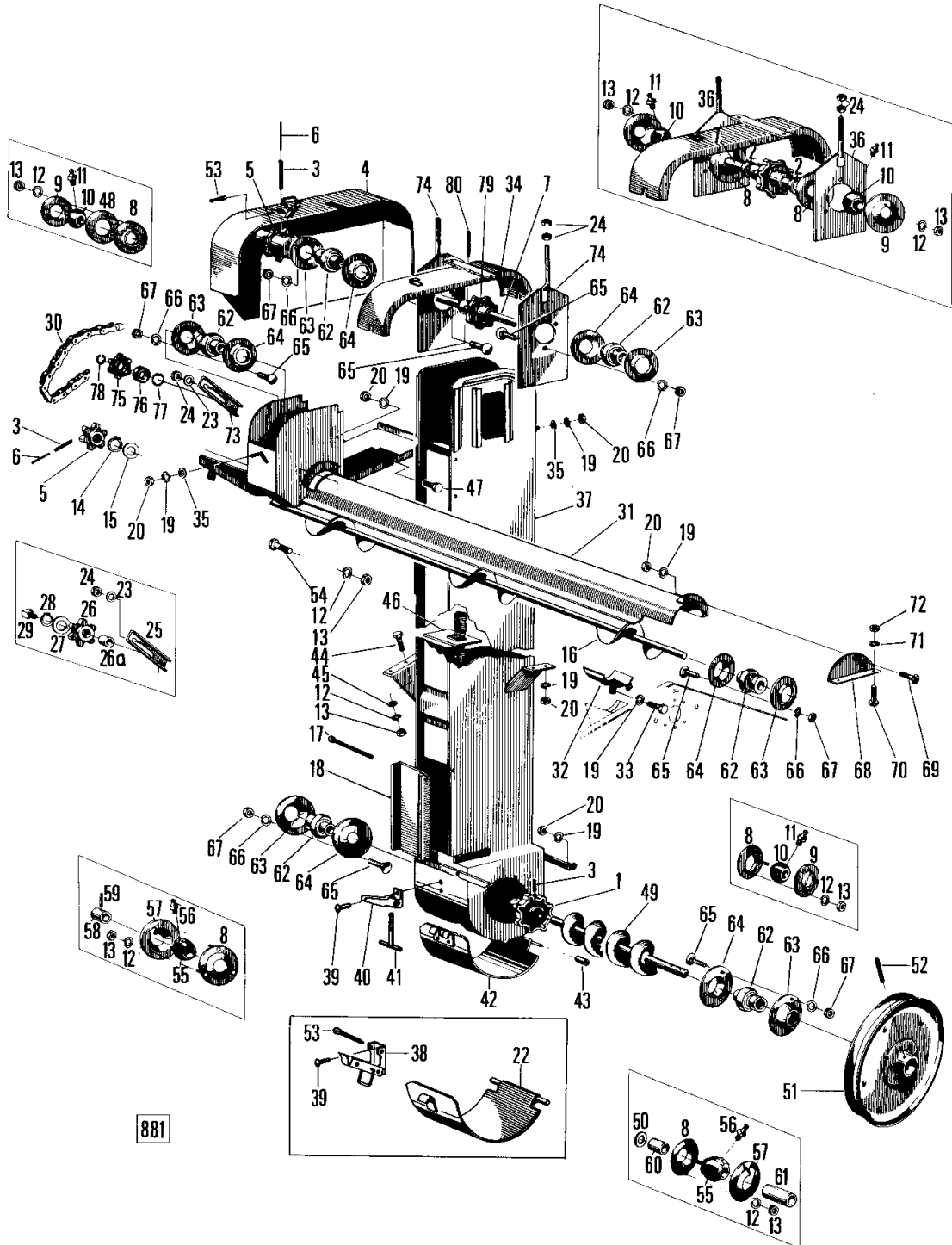
| Item | Part Number | Qty | Description | Comments |
|-------------|--------------------|------------|--------------------|---|
| | | | | Up to Serial or Engine Number 3043 (B) |
| | | | | From Serial or Engine Number 3044 (C) |
| | | | | Up to Serial or Engine Number 2243 (D) |
| | | | | NO. 2244 - NO. 3043 (E) |
| | | | | FOR GRAIN TANK 500 KG (F) |
| | | | | Up to Serial or Engine Number 7375 (G) |
| | | | | From Serial or Engine Number 7376 (H) |
| | | | | Up to Serial or Engine Number 8449 (J) |
| | | | | From Serial or Engine Number 8450 |

15-6

KÖRNERELEVATOR
 Tankmaschinen
 (für Maschinen ohne Sortierung
 mit oberer Verteilerschnecke)

GRAIN ELEVATOR
 Tank Machines
 (without Rotary Screen
 with Divider Auger)

ELEVATEUR A GRAINS
 machines avec réservoir à grains
 (sans tamis cylindrique avec
 vis sans fin)



881

**MASSEY FERGUSON
MF 31 COMBINE - 415718**

415718

15-6

GRAIN ELEVATOR - TANK MACHINES

| Item | Part Number | Qty | Description | Comments |
|------|-------------|-----|---------------|---|
| | | | | TANK MACHINES WITHOUT ROTARY SCREEN WITH DIVIDER AUGER |
| 1 | 320030M3 | 1 | Sprocket | Number of teeth/spines 8 |
| 2 | 391382X1 | 2 | Washer Metric | (A) |
| 3 | 339135X1 | 6 | Pin | |
| 4 | 411204M91 | 1 | Shield | |
| 5 | 324728M1 | 2 | Pinion | Number of teeth/spines 6 |
| 6 | 390294X1 | 4 | Pin | |
| 7 | 324779M1 | 1 | Shaft | (A) |
| | 411787M1 | 1 | Shaft | (B) |
| 8 | 32218M93 | 6 | Flange | (A) |
| 9 | 320235M2 | 4 | Ring | (A) |
| 10 | 323378M91 | 4 | Bearing | (A) |
| 11 | 390843X1 | 4 | Nipple | |
| 12 | 39375X1 | 22 | Washer | |
| 13 | 339030X1 | 22 | Nut Metric | |
| 14 | 1440475X1 | 1 | Circlip | |
| 15 | 390039X1 | 1 | Washer | |
| 16 | 411213M91 | 1 | Auger | (A) |
| | 411805M91 | 1 | Auger | (B) |
| 17 | 339138X1 | 1 | Pin | |
| 18 | 320763M2 | 1 | Cover | |
| 19 | 339374X1 | 15 | Lock Washer | |
| 20 | 339169X1 | 13 | Nut Metric | |
| 22 | 320280M92 | 1 | Bottom | Bottom (G) |
| 23 | 339534X1 | 1 | Washer Metric | |
| 24 | 339402X1 | 5 | Nut Metric | |
| | 324730M91 | 1 | Pinion | (A) |
| 25 | 324731M91 | 1 | Bearer | (A) |
| 26 | 322499M92 | 1 | Pinion | (A) |
| 26A | 321900M1 | 1 | Bush | (A) |
| 27 | 339027X1 | 1 | Washer Metric | (A) |
| 28 | 339276X1 | 1 | Circlip | (A) |
| 29 | 339002X1 | 1 | Lubricator | (A) |
| 30 | 411203M1 | 1 | Chain | |
| 31 | 411207M91 | 1 | Guard | (A) |
| | 411803M91 | 1 | Housing | (B) |
| 32 | 411188M91 | 1 | Plate | |
| 33 | 339124X1 | 8 | Screw Metric | |
| 34 | 324777M91 | 1 | Cover | Top |
| 35 | 339056X1 | 2 | Washer Metric | |
| 36 | 324683M91 | 2 | Plate | (A) |
| 37 | 411171M92 | 1 | Housing | (A) |
| | 411798M91 | 1 | Riser | (B) |
| 38 | 417461MN91 | 1 | Fastener | (H) |
| 39 | 417472M91 | 1 | Knotter Hook | (H) |
| 40 | 417470M91 | 1 | Gate | Bottom (H) |
| 41 | 320617M1 | 2 | Sleeve | |
| 42 | 339074X1 | 2 | Rivet | |
| 43 | 320273M1 | 1 | Hasp | (G) |
| 44 | 339560X1 | 3 | Screw Metric | |
| 45 | 339692X1 | 3 | Washer | |
| 46 | 410169M91 | 1 | Chain | |
| | 411843M91 | 1 | Chain | |
| 47 | 339136X1 | 1 | Bolt | |
| 48 | 322285M1 | 1 | Washer | (A) |
| 49 | 322116M92 | 1 | Auger | (C) |
| | 411653M91 | 1 | Auger | (D) |
| | 411866M91 | 1 | Auger | (B, E) |
| | 417279M91 | 1 | Auger | (F) |
| 50 | 391382X1 | X | Washer Metric | (A) |
| 51 | 320019M92 | 1 | Pulley | |
| 52 | 339192X1 | 2 | Pin | |
| 53 | 339232X1 | 2 | Pin | (G) |
| 54 | 339230X1 | 1 | Screw Metric | |
| 55 | 323378M91 | 2 | Bearing | (C) |
| | 411649M91 | 2 | Bearing | (D) |
| 56 | 390843X1 | 2 | Nipple | |

**MASSEY FERGUSON
MF 31 COMBINE - 415718**

415718

15-6

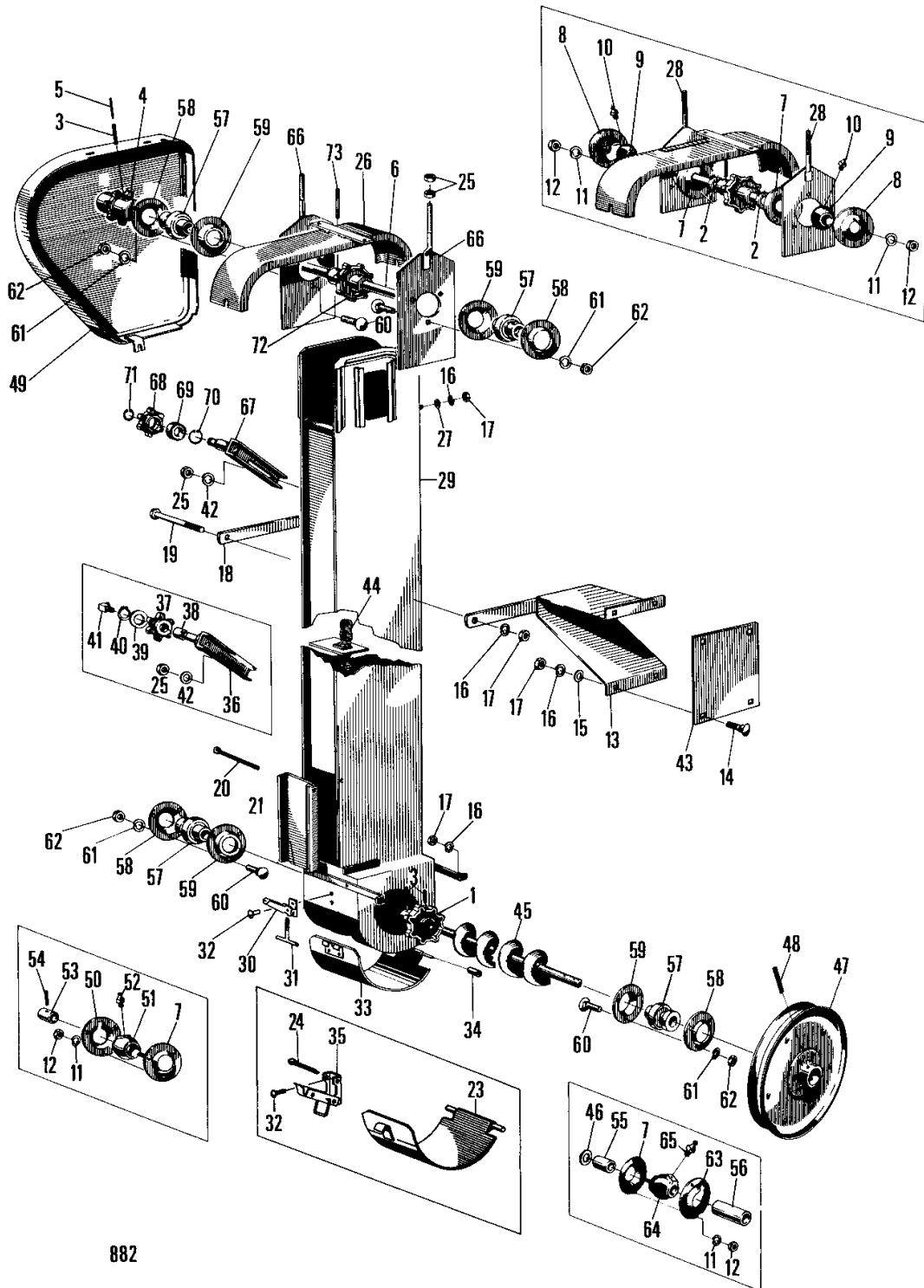
GRAIN ELEVATOR - TANK MACHINES

| Item | Part Number | Qty | Description | Comments |
|------|-------------|-----|--------------|---|
| 57 | 320235M2 | 2 | Ring | (C) |
| | 411577M1 | 2 | Flange | |
| 58 | 411580M1 | 2 | Insert | (D) |
| 59 | 339258X1 | 1 | Pin | (D) |
| 60 | 411579M1 | 1 | Bush | (D) |
| 61 | 411581M1 | 1 | Bush | (D) |
| 62 | 412243M1 | 6 | Bearing | (B) |
| 63 | 412245M1 | 6 | Ring | (B) |
| 64 | 411745M1 | 6 | Ring | (B) |
| 65 | 339247X1 | 18 | Bolt | (B) |
| 66 | 339374X1 | 18 | Lock Washer | (B) |
| 67 | 339169X1 | 18 | Nut Metric | (B) |
| 68 | 411807M1 | 1 | Plate | (B) |
| 69 | 339228X1 | 1 | Screw Metric | |
| 70 | 339230X1 | 2 | Screw Metric | |
| 71 | 339375X1 | 2 | Lock Washer | |
| 72 | 339030X1 | 2 | Nut Metric | |
| 73 | 411785M91 | 1 | Lever | (B) |
| 74 | 411779M92 | 2 | Plate | (B) |
| 75 | 411845M1 | 1 | Pinion | Thickness 6 (B) |
| 76 | 339932X1 | 1 | Bearing Assy | (B) |
| 77 | 339657X1 | 1 | Circlip | (B) |
| 78 | 391062X1 | 1 | Segment | (B) |
| 79 | 414308M1 | 1 | Sprocket | |
| 80 | 339052X1 | 2 | Strip | (A) Up to Serial or Engine Number 3043 (B) From Serial or Engine Number 3044 (C) Up to Serial or Engine Number 2243 (D) NO. 2244 - NO. 3043 (G) Up to Serial or Engine Number 8449 |

KÖRNERELEVATOR
Absackmaschinen

GRAIN ELEVATOR
Bagger Machines

ELEVATEUR A GRAINS
machines avec ensacheur



882

Mährescher MF 31

415 718 M2 (Ausgabe 1) 12/70

**MASSEY FERGUSON
MF 31 COMBINE - 415718**

415718

15-7

GRAIN ELEVATOR - BAGGER MACHINES

| Item | Part Number | Qty | Description | Comments |
|------|-------------|-----|---------------|--------------------------|
| | | | | BAGGER MACHINES |
| 1 | 320030M3 | 1 | Sprocket | Number of teeth/spines 8 |
| 2 | A391382X1 | 2 | Washer | (A) |
| 3 | 339135X1 | 4 | Pin | |
| 4 | 324728M1 | 1 | Pinion | Number of teeth/spines 6 |
| 5 | 390294X1 | 2 | Pin | |
| 6 | 324779M1 | 1 | Shaft | (A) |
| | 411787M1 | 1 | Shaft | (B) |
| 7 | 332118M93 | 4 | Flange | (A) |
| 8 | 320235M2 | 2 | Ring | (A) |
| 9 | 323378M91 | 2 | Bearing | (A) |
| 10 | 390843X1 | 2 | Nipple | |
| 11 | 339375X1 | 12 | Lock Washer | |
| 12 | 339030X1 | 12 | Nut Metric | |
| 13 | 411412M91 | 1 | Support | |
| 14 | 339170X1 | 4 | Screw | |
| 15 | 339024X1 | 4 | Washer Metric | |
| 16 | 339374X1 | 9 | Lock Washer | |
| 17 | 339169X1 | 9 | Nut Metric | |
| 18 | 321371M1 | 1 | Plate | |
| 19 | 339084X1 | 2 | Bolt Metric | |
| 20 | 339138X1 | 1 | Pin | |
| 21 | 320763M2 | 1 | Cover | |
| 23 | 320280M92 | 1 | Bottom | Bottom (J) |
| 24 | 339232X1 | 1 | Pin | (J) |
| 25 | 339402X1 | 5 | Nut Metric | |
| 26 | 411406M91 | 1 | Plate | Top |
| 27 | 339056X1 | 1 | Washer Metric | |
| 28 | 324683M91 | 2 | Plate | (A) |
| 29 | 411313M92 | 1 | Riser | (A) |
| | 411783M91 | 1 | Riser | (B) |
| 30 | 417461M91 | 1 | Fastener | (K) |
| 31 | 417472M91 | 1 | Knotter Hook | (K) |
| 32 | 339431X1 | 2 | Rivet | |
| 33 | 417470M91 | 1 | Gate | Bottom (K) |
| 34 | 320617M1 | 2 | Sleeve | |
| 35 | 320273M1 | 1 | Hasp | (J) |
| | 324730M91 | 1 | Pinion | (A) |
| 36 | 324731M91 | 1 | Bearer | (A) |
| 37 | 322499M92 | 1 | Pinion | (A) |
| 38 | 321900M1 | 1 | Bush | (A) |
| 39 | 339027X1 | 1 | Washer Metric | (A) |
| 40 | 339276X1 | 1 | Circlip | (A) |
| 41 | 339002X1 | 1 | Lubricator | (A) |
| 42 | 339534X1 | 1 | Washer Metric | |
| 43 | 411432M1 | 1 | Plate | |
| 44 | 410169M91 | 1 | Chain | |
| 45 | 322116M92 | 1 | Auger | (C) |
| | 411653M91 | 1 | Auger | (D) |
| | 411866M91 | 1 | Auger | (B, G) |
| | 417279M91 | 1 | Auger | (H) |
| 46 | 391382X1 | X | Washer Metric | |
| 47 | 320019M92 | 1 | Pulley | |
| 48 | 339192X1 | 2 | Pin | |
| 49 | 411408M91 | 1 | Guard | (A) |
| | 411765M91 | 1 | Guard | (B) |
| 50 | 320235M2 | 1 | Ring | (E) |
| | 411577M1 | 1 | Flange | (F) |
| 51 | 323378M91 | 1 | Bearing | (E) |
| | 411649M91 | 1 | Bearing | (F) |
| 52 | 390843X1 | 1 | Nipple | |
| 53 | 411580M1 | 1 | Insert | (F) |
| 54 | 339258X1 | 1 | Pin | (F) |
| 55 | 411579M1 | 1 | Bush | (D) |
| 56 | 411581M1 | 1 | Bush | (D) |
| 57 | 412243M1 | 4 | Bearing | (B) |
| 58 | 412245M1 | 4 | Ring | (B) |
| 59 | 411745M1 | 4 | Ring | (B) |

**MASSEY FERGUSON
MF 31 COMBINE - 415718**

415718

15-7

GRAIN ELEVATOR - BAGGER MACHINES

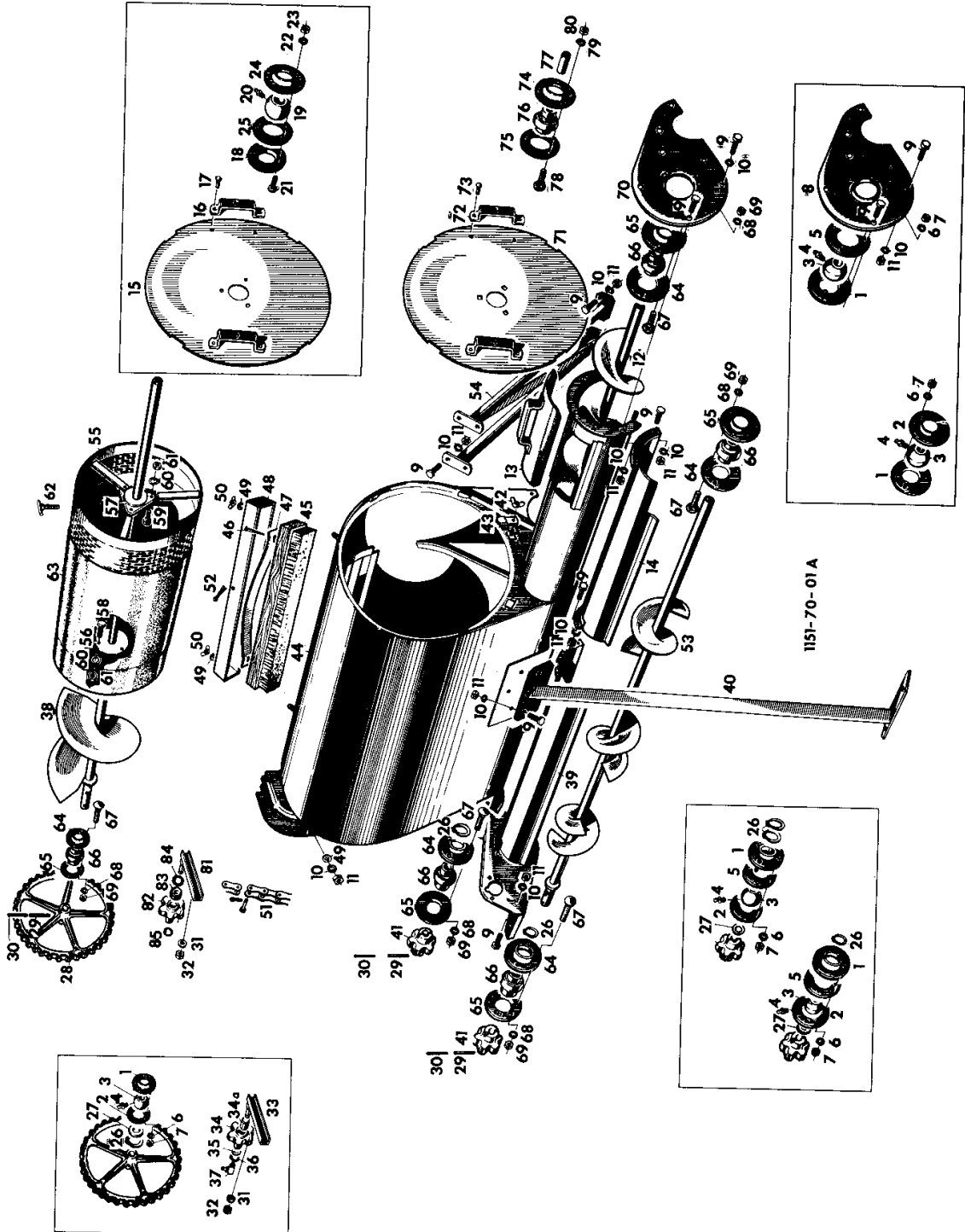
| Item | Part Number | Qty | Description | Comments |
|------|-------------|-----|--------------|---|
| 60 | 339247X1 | 12 | Bolt | (B) |
| 61 | 339374X1 | 12 | Lock Washer | (B) |
| 62 | 339169X1 | 12 | Nut Metric | (B) |
| 63 | 320235M2 | 1 | Ring | (A) |
| | 411577M1 | 1 | Flange | (D) |
| 64 | 323378M91 | 1 | Bearing | (A) |
| | 411649M91 | 1 | Bearing | (D) |
| 65 | 390843X1 | 1 | Nipple | |
| 66 | 411779M92 | 2 | Plate | (B) |
| 67 | 411785M91 | 1 | Lever | (B) |
| 68 | 411845M1 | 1 | Pinion | (B) |
| 69 | 339932X1 | 1 | Bearing Assy | (B) |
| 70 | 339657X1 | 1 | Circlip | (B) |
| 71 | 391062X1 | 1 | Segment | (B) |
| 72 | 414308M1 | 1 | Sprocket | Number of teeth/spines 8 |
| 73 | 339052X1 | 2 | Strip | (A) Up to Serial or Engine Number 3043 (B) From Serial or Engine Number 3044 (C) Up to Serial or Engine Number 2243 (D) NO. 2244 - NO. 3043 (E) Up to Serial or Engine Number 2529 (F) NO. 2530 - NO. 3043 (G) Up to Serial or Engine Number 7375 (H) From Serial or Engine Number 7376 (J) Up to Serial or Engine Number 8449 (K) From Serial or Engine Number 8450 |

17-1

SORTIERUNG
Tankmaschinen

ROTARY SCREEN
Tank Machines

TAMIS CYLINDRIQUE
machines avec réservoir à grains



Mährescher MF 31

415 718 M2 (Ausgabe 1) 12/70

**MASSEY FERGUSON
MF 31 COMBINE - 415718**

415718

17-1

ROTARY SCREEN - TANK MACHINES - TANK MACHINES

| Item | Part Number | Qty | Description | Comments |
|------|-------------|-----|---------------|---------------------------|
| | | | | TANK MACHINES |
| 1 | 322118M93 | 5 | Ring | (A) |
| 2 | 320235M2 | 4 | Ring | (A) |
| 3 | 323378M91 | 5 | Bearing | (A) |
| 4 | 390843X1 | 5 | Nipple | |
| 5 | 322285M1 | 3 | Washer | (A) |
| 6 | 339375X1 | 15 | Lock Washer | |
| 7 | 339030X1 | 15 | Nut Metric | |
| 8 | 324854M91 | 1 | Plate | Left Hand (A) |
| 9 | 339124X1 | 26 | Screw Metric | |
| 10 | 339374X1 | 27 | Lock Washer | |
| 11 | 339169X1 | 25 | Nut Metric | |
| 12 | 324720M92 | 1 | Auger | (A) |
| | 411796M91 | 1 | Auger | (B) |
| 13 | 324723M91 | 1 | Cover | |
| 14 | 324725M91 | 1 | Cover | Left Hand |
| | 322058M94 | 1 | Cover | (A) |
| | 322757M91 | 1 | Cover | (A) |
| 15 | 320090M2 | 2 | Handle | (A) |
| 16 | 339082X1 | 4 | Rivet | (A) |
| 17 | 320234M2 | 1 | Flange | (A) |
| 18 | 323378M91 | 1 | Bearing | (A) |
| 19 | 390843X1 | 1 | Nipple | (A) |
| 20 | 339560X1 | 3 | Screw Metric | (A) |
| 21 | 339375X1 | 1 | Lock Washer | (A) |
| 22 | 339030X1 | 3 | Nut Metric | (A) |
| 23 | 320235M2 | 1 | Ring | (A) |
| 24 | 322285M1 | 1 | Washer | (A) |
| 25 | 1440475X1 | 4 | Circlip | |
| 26 | 390039X1 | 4 | Washer | |
| 27 | 324729M1 | 1 | Pinion | Number of teeth/spines 38 |
| 28 | 339135X1 | 6 | Pin | |
| 29 | 390294X1 | 6 | Pin | |
| 30 | 339534X1 | 1 | Washer Metric | |
| 31 | 339402X1 | 1 | Nut Metric | |
| 32 | 324730M91 | 1 | Pinion | (A) |
| 33 | 324731M91 | 1 | Bearer | (A) |
| 34 | 322499M92 | 1 | Pinion | (A) |
| 34A | 321900M1 | 1 | Bush | (A) |
| 35 | 339027X1 | 1 | Washer Metric | (A) |
| 36 | 339276X1 | 1 | Circlip | (A) |
| 37 | 339002X1 | 1 | Lubricator | (A) |
| 38 | 324736M91 | 1 | Auger | (A) |
| | 411794M91 | 1 | Auger | (B) |
| 39 | 324739M92 | 1 | Guard | (A) |
| | 411814M91 | 1 | Guard | (B) |
| 40 | 324746M91 | 1 | Support | (A, C) |
| | 411810M91 | 1 | Support | (B) |
| 41 | 324728M1 | 2 | Pinion | Number of teeth/spines 6 |
| 42 | 339106X1 | 1 | Nut Metric | |
| 43 | 322055M1 | 1 | Fastener | |
| 44 | 324755M91 | 1 | Sieve | (A) |
| | 411812M91 | 1 | Body | (B) |
| | 322027M91 | 1 | Brush | |
| 45 | 322028M1 | 1 | Brush | |
| 46 | 339103X1 | 2 | Screw | |
| 47 | 322042M1 | 1 | Spring | |
| 48 | 322078M2 | 1 | Cover | |
| 49 | 339056X1 | 3 | Washer Metric | |
| 50 | 339106X1 | 2 | Nut Metric | |
| 51 | 324780M91 | 1 | Chain | |
| 52 | 391408X1 | 1 | Pin | |
| 53 | 324781M92 | 1 | Auger | (A) |
| | 411792M91 | 1 | Auger | (B) |
| 54 | 324785M91 | 2 | Support | (A, C) |
| | 411941M91 | 1 | Support | (B) |
| 55 | 9138063 | 1 | Cylinder | 2,5 MM |
| | 9138061 | 1 | Cylinder | 1,7 MM |
| | 9138062 | 1 | Cylinder | 2,0 MM |

**MASSEY FERGUSON
MF 31 COMBINE - 415718**

415718

17-1

ROTARY SCREEN - TANK MACHINES - TANK MACHINES

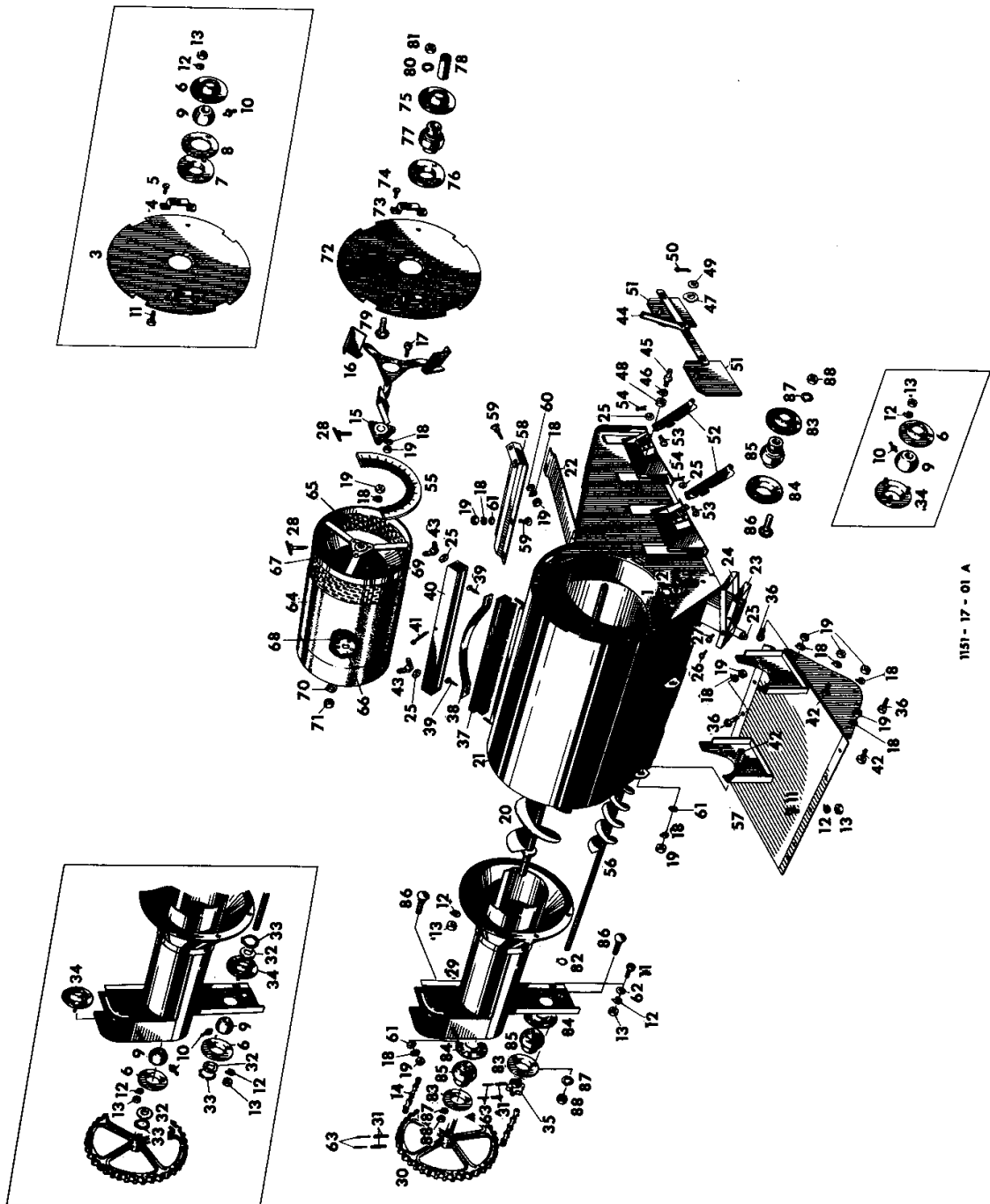
| Item | Part Number | Qty | Description | Comments |
|------|-------------|-----|--------------|------------------------------------|
| 56 | 322043M1 | 1 | Plate | |
| 57 | 320349M2 | 1 | Bearing | |
| 58 | 339123X1 | 3 | Screw Metric | |
| 59 | 339761X1 | 3 | Screw Metric | |
| 60 | 339374X1 | 6 | Lock Washer | |
| 61 | 339169X1 | 6 | Nut Metric | |
| 62 | 322056M91 | 1 | Screw | |
| 63 | 322555M2 | 1 | Housing | |
| 64 | 411745M1 | 5 | Ring | (B) |
| 65 | 412245M1 | 5 | Ring | (B) |
| 66 | 412243M1 | 5 | Bearing | (B) |
| 67 | 339247X1 | 15 | Bolt | (B) |
| 68 | 339374X1 | 15 | Lock Washer | (B) |
| 69 | 339169X1 | 15 | Nut Metric | (B) |
| 70 | 411817M92 | 1 | Plate | (B) |
| | | | | Left Hand |
| | 411753M91 | 1 | Cover | (B) |
| 71 | 411754M91 | 1 | Cover | (B) |
| 72 | 320090M2 | 2 | Handle | (B) |
| 73 | 339082X1 | 4 | Rivet | (B) |
| 74 | 412261M1 | 1 | Ring | (B) |
| 75 | 412315M1 | 1 | Ring | (B) |
| 76 | 412260M1 | 1 | Bearing Assy | (B) |
| 77 | 411757M1 | 1 | Bush | (B) |
| 78 | 339247X1 | 3 | Bolt | (B) |
| 79 | 339374X1 | 3 | Lock Washer | (B) |
| 80 | 339169X1 | 3 | Nut Metric | (B) |
| 81 | 411785M91 | 1 | Lever | (B) |
| 82 | 411845M1 | 1 | Pinion | Number of teeth/spines 6 (B) |
| 83 | 339932X1 | 1 | Bearing Assy | (B) |
| 84 | 339657X1 | 1 | Circlip | (B) |
| 85 | 391062X1 | 1 | Segment | (B) |
| | | | | (A) |
| | | | | Up to Serial or Engine Number 3043 |
| | | | | (B) |
| | | | | From Serial or Engine Number 3044 |
| | | | | (C) |
| | | | | FOR GRAIN TANK 500 KG |

17-2

SORTIERUNG
Absackmaschinen

ROTARY SCREEN
Bagger Machines

TAMIS CYLINDRIQUE
machines avec ensacheur



Mähdrescher MF 31

415 718 M2 (Ausgabe 1) 12/70

**MASSEY FERGUSON
MF 31 COMBINE - 415718**

415718

17-2

ROTARY SCREEN - BAGGER MACHINES - BAGGER MACHINES

| Item | Part Number | Qty | Description | Comments |
|------|-------------|-----|---------------|---------------------------|
| | | | | BAGGER MACHINES |
| 1 | 322055M1 | 1 | Fastener | |
| 2 | 339106X1 | 1 | Nut Metric | |
| | 402569M94 | 1 | Cover | (A) |
| 3 | 402570M93 | 1 | Cover | (A) |
| 4 | 320090M2 | 2 | Handle | (A) |
| 5 | 339082X1 | 4 | Rivet | (A) |
| 6 | 320235M2 | 4 | Ring | (A) |
| 7 | 320234M2 | 1 | Flange | (A) |
| 8 | 322285M1 | 1 | Washer | (A) |
| 9 | 323378M91 | 4 | Bearing | (A) |
| 10 | 390843X1 | 4 | Nipple | (A) |
| 11 | 339560X1 | 8 | Screw Metric | |
| 12 | 339375X1 | 25 | Lock Washer | |
| 13 | 339030X1 | 25 | Nut Metric | |
| 14 | 411390M1 | 1 | Chain | |
| 15 | 320349M2 | 1 | Bearing | |
| 16 | 411379M91 | 1 | Shovel | |
| 17 | 339761X1 | 3 | Screw Metric | |
| 18 | 339374X1 | 32 | Lock Washer | |
| 19 | 339169X1 | 32 | Nut Metric | |
| 20 | 411383M91 | 1 | Auger | (A) |
| | 411758M91 | 1 | Auger | (B) |
| 21 | 411364M91 | 1 | Housing | (A) |
| | 411760M91 | 1 | Housing | (B) |
| 22 | 402502M1 | 1 | Cover | |
| 23 | 322075M1 | 1 | Holder | |
| 24 | 322076M1 | 1 | Fastener | |
| 25 | 339056X1 | 6 | Washer Metric | |
| 26 | 391491X1 | 2 | Rivet | |
| 27 | 339292X1 | 2 | Rivet | |
| 28 | 322056M91 | 2 | Screw | |
| 29 | 411450M91 | 1 | Trough | (A) |
| | 411762M91 | 1 | Trough | (B) |
| 30 | 324729M1 | 1 | Pinion | Number of teeth/spines 38 |
| 31 | 339135X1 | 4 | Pin | |
| 32 | 339574X1 | 3 | Washer Metric | (A) |
| 33 | 1440475X1 | 3 | Circlip | (A) |
| 34 | 322118M93 | 3 | Ring | (A) |
| 35 | 324728M1 | 1 | Pinion | Number of teeth/spines 6 |
| 36 | 339124X1 | 8 | Screw Metric | |
| | 322027M91 | 1 | Brush | |
| 37 | 322028M1 | 1 | Brush | |
| 38 | 322042M1 | 1 | Spring | |
| 39 | 339103X1 | 2 | Screw | |
| 40 | 322078M2 | 1 | Cover | |
| 41 | 391408X1 | 1 | Pin | |
| 42 | 339123X1 | 14 | Screw Metric | |
| 43 | 339106X1 | 2 | Nut Metric | |
| 44 | 404435M91 | 1 | Lever | |
| 45 | 402558M1 | 1 | Bolt | |
| 46 | 339369X1 | 1 | Lock Washer | |
| 47 | 390056X1 | 1 | Washer | |
| 48 | 339054X1 | 1 | Nut Metric | |
| 49 | 339763X1 | 1 | Washer | |
| 50 | 339076X1 | 1 | Pin | |
| 51 | 404916M91 | 2 | Gate | |
| 52 | 402565M3 | 2 | Handle | |
| 53 | 339610X1 | 2 | Pin | |
| 54 | 339087X1 | 2 | Pin | |
| 55 | 411389M1 | 1 | Brush | |
| 56 | 411386M91 | 1 | Auger | (A) |
| | 411767M91 | 1 | Auger | (B) |
| 57 | 411434M91 | 1 | Plate | |
| 58 | 411455M91 | 1 | Support | |
| 59 | 339247X1 | 6 | Bolt | |
| 60 | 339697X1 | 2 | Washer | |
| 61 | 339024X1 | 11 | Washer Metric | |
| 62 | 339692X1 | 2 | Washer | |
| 63 | 390294X1 | 4 | Pin | |

**MASSEY FERGUSON
MF 31 COMBINE - 415718**

415718

ROTARY SCREEN - BAGGER MACHINES - BAGGER MACHINES

17-2

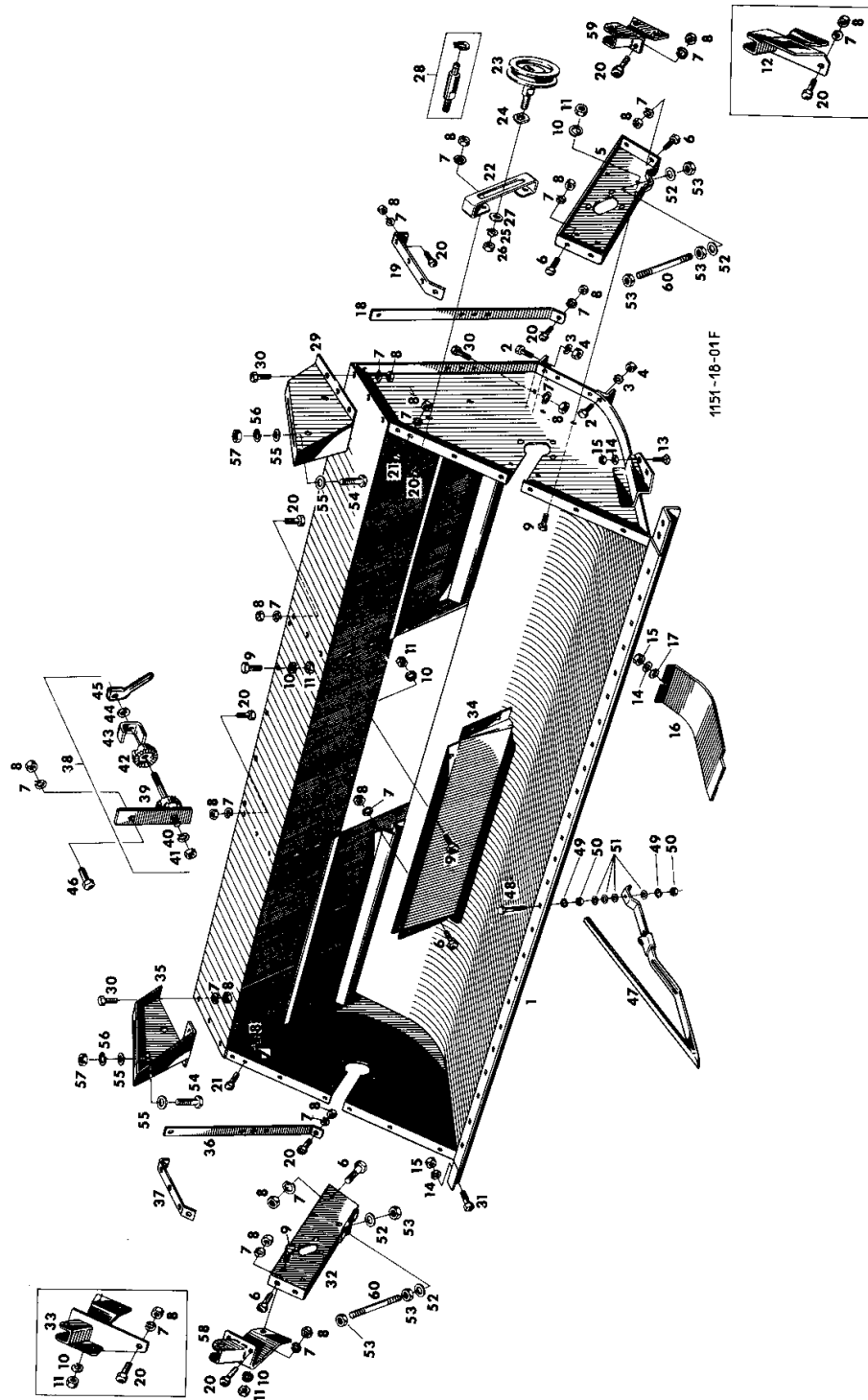
| Item | Part Number | Qty | Description | Comments |
|------|-------------|-----|--------------|------------------------------------|
| 64 | 322555M2 | 1 | Housing | |
| 65 | 9138063 | 1 | Cylinder | |
| | 9138061 | 1 | Cylinder | |
| | 9138062 | 1 | Cylinder | |
| 66 | 322043M1 | 1 | Plate | |
| 67 | 320349M2 | 1 | Bearing | |
| 68 | 339123X1 | 3 | Screw Metric | |
| 69 | 339761X1 | 3 | Screw Metric | |
| 70 | 339374X1 | 6 | Lock Washer | |
| 71 | 339169X1 | 6 | Nut Metric | |
| | 411753M91 | 1 | Cover | (B) |
| 72 | 411754M91 | 1 | Cover | (B) |
| 73 | 320090M2 | 2 | Handle | (B) |
| 74 | 339082X1 | 4 | Rivet | (B) |
| 75 | 412261M1 | 1 | Ring | (B) |
| 76 | 412315M1 | 1 | Ring | (B) |
| 77 | 412260M1 | 1 | Bearing Assy | (B) |
| 78 | 411757M1 | 1 | Bush | (B) |
| 79 | 339247X1 | 3 | Bolt | (B) |
| 80 | 339374X1 | 3 | Lock Washer | (B) |
| 81 | 339169X1 | 3 | Nut Metric | (B) |
| 82 | 1440475X1 | 1 | Circlip | (B) |
| 83 | 412245M1 | 3 | Ring | (B) |
| 84 | 411745M1 | 3 | Ring | (B) |
| 85 | 412243M1 | 3 | Bearing | (B) |
| 86 | 339247X1 | 9 | Bolt | (B) |
| 87 | 339374X1 | 9 | Lock Washer | (B) |
| 88 | 339169X1 | 9 | Nut Metric | (B) |
| | | | | (A) |
| | | | | Up to Serial or Engine Number 3043 |
| | | | | (B) |
| | | | | From Serial or Engine Number 3044 |

18-1

TISCH

TABLE

TABLE



Mähdrescher MF 31

415 718 M2 (Ausgabe 1) 12/70

TABLE

| Item | Part Number | Qty | Description | Comments |
|------|-------------|-----|---------------|----------------------------------|
| 1 | 411021M91 | 1 | Table | (A, C) |
| | 411572M92 | 1 | Table | (A, D) |
| | 411393M91 | 1 | Table | (C, B) |
| | 411573M93 | 1 | Table | (D, B) |
| 2 | 339123X1 | 7 | Screw Metric | (A) |
| | 339123X1 | 10 | Screw Metric | (B) |
| 3 | 339374X1 | 7 | Lock Washer | (A) |
| | 339374X1 | 10 | Lock Washer | (B) |
| 4 | 339169X1 | 7 | Nut Metric | (A) |
| | 339169X1 | 10 | Nut Metric | (B) |
| 5 | 404413M1 | 1 | Shield | Left Hand (C, A, B) |
| | 413562M91 | 1 | Plate | Left Hand (D, A, B) |
| 6 | 339124X1 | 18 | Screw Metric | (A) |
| | 339124X1 | 17 | Screw Metric | (B) |
| 7 | 339374X1 | 56 | Lock Washer | (A, B) |
| 8 | 339169X1 | 56 | Nut Metric | (A, B) |
| 9 | 339560X1 | 18 | Screw Metric | (A) |
| | 339560X1 | 20 | Screw Metric | (B) |
| 10 | 339375X1 | 18 | Lock Washer | (A) |
| | 339375X1 | 20 | Lock Washer | (B) |
| 11 | 339030X1 | 18 | Nut Metric | (A) |
| | 339030X1 | 20 | Nut Metric | (B) |
| 12 | 412373M91 | 1 | Support | Left Hand (C, A, B) |
| | 413586M91 | 1 | Support | Left Hand (D, E, A, B) |
| 13 | 339172X1 | 6 | Bolt Metric | (A, B) |
| 14 | 339376X1 | 12 | Lock Washer | (A, B) |
| 15 | 339402X1 | 12 | Nut Metric | (A, B) |
| 16 | 404412M1 | 4 | Shoe | (A, B) |
| | 404858M91 | 1 | Plate | Alternative 2-404412M1 (A, B) |
| 17 | 391396X1 | 4 | Washer Metric | (A, B) |
| 18 | 402632M1 | 1 | Brace | Left Hand (A, B) |
| 19 | 402633M1 | 1 | Angle | (A, B) |
| 20 | 339123X1 | 17 | Screw Metric | (A, B) |
| 21 | 339228X1 | 9 | Screw Metric | (A, B) |
| 22 | 412377M1 | 1 | Support | (A, B) |
| | 416579M91 | 1 | Pulley | (A, B) |
| 23 | 416580M91 | 1 | Pulley | (A, B) |
| 24 | 416584M1 | 1 | Washer | (A, B) |
| 25 | 339380X1 | 1 | Washer | (A, B) |
| 26 | 339070X1 | 1 | Nut | (A, B) |
| 27 | 339072X1 | 1 | Washer | (A, B) |
| 28 | 412446M1 | 1 | Pin | (G, A, B) |
| | 391062X1 | 1 | Segment | (G, A, B) |
| 29 | 413499M1 | 1 | Bearer | Left Hand (A, B) |
| 30 | 339337X1 | 12 | Screw Metric | (A, B) |
| 31 | 339081X1 | 2 | Screw Metric | (A, B) |
| 32 | 404414M1 | 1 | Shield | Right Hand (A, B, C) |
| | 413559M91 | 1 | Plate | Right Hand (D, A, B) |
| 33 | 412457M91 | 1 | Support | Right Hand (E, A, B) |
| 34 | 411060M1 | 1 | Plate | (A, B) |
| 35 | 402640M1 | 1 | Support | Right Hand (A, B) |
| 36 | 402642M2 | 1 | Reinforcement | Right Hand (A, B) |
| 37 | 402633M1 | 1 | Angle | (A, B) |
| 38 | 412439M91 | 1 | Lever | (A, B) |
| 39 | 412440M91 | 1 | Support | (A, B) |
| 40 | 339376X1 | 1 | Lock Washer | (A, B) |
| 41 | 339402X1 | 1 | Nut Metric | (A, B) |
| 42 | 412442M1 | 1 | Segment | (A, B) |

TABLE

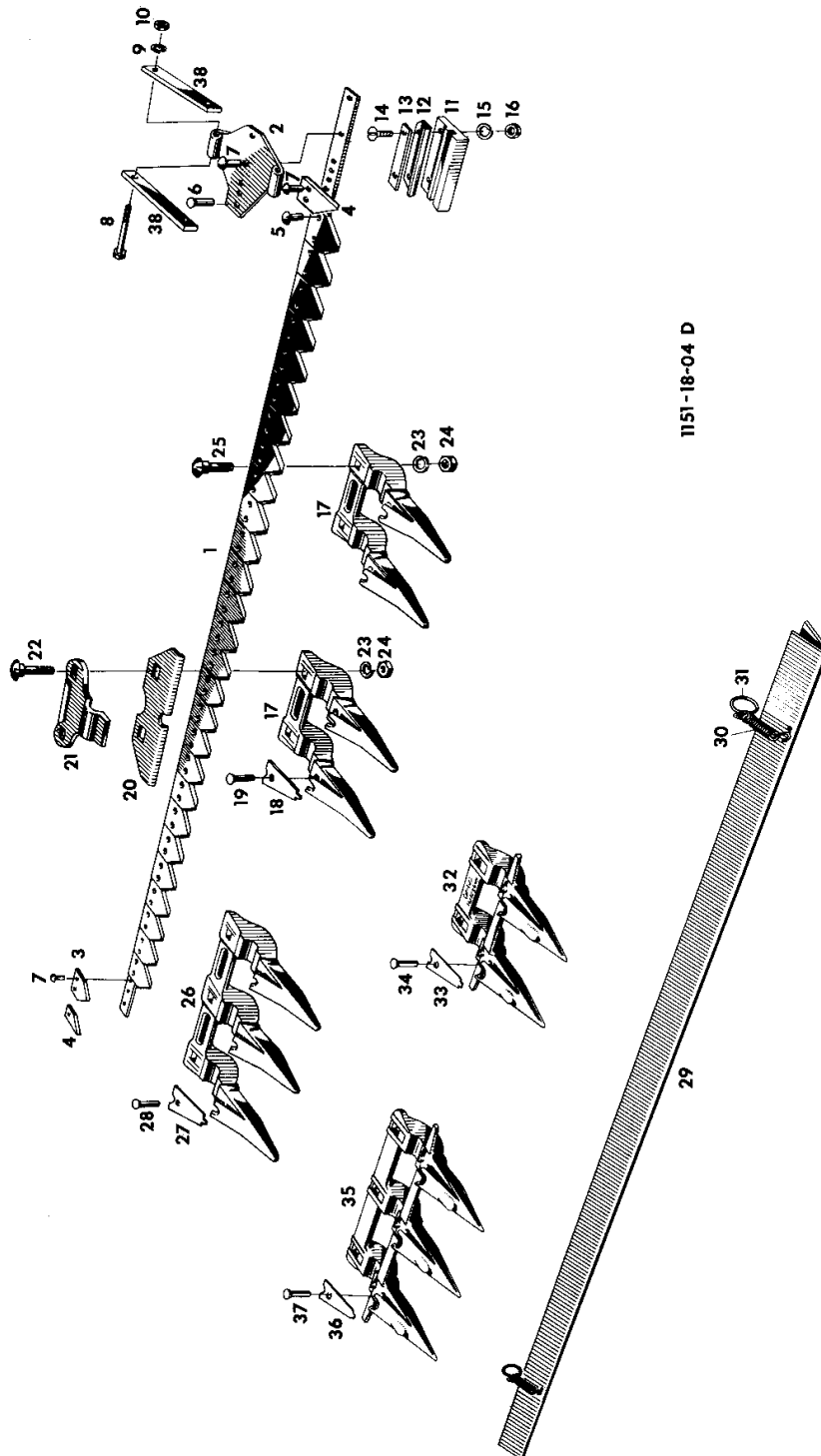
| Item | Part Number | Qty | Description | Comments |
|------|-------------|-----|---------------|--|
| 43 | 412443M1 | 1 | Bracket | (A, B) |
| | 412439M91 | | Lever | |
| 44 | 339025X1 | 1 | Washer Metric | (A, B) |
| 45 | 412444M1 | 1 | Handle | (A, B) |
| 46 | 339337X1 | 1 | Screw Metric | (A, B) |
| 47 | 1723866M91 | AR | Ear Lifter | (A, B) |
| 48 | 390122X1 | AR | Bolt Metric | (A, B) |
| 49 | 339376X1 | AR | Lock Washer | (A, B) |
| 50 | 339402X1 | AR | Nut Metric | (A, B) |
| 51 | 1440287X1 | AR | Washer Metric | (A, B) |
| 52 | 339026X1 | 4 | Washer Metric | (A, B, D) |
| 53 | 339054X1 | 6 | Nut Metric | (D, A, B) |
| 54 | 339123X1 | 1 | Screw Metric | (A, B) |
| 55 | 339817X1 | 2 | Washer Metric | (A, B) |
| 56 | 339374X1 | 1 | Lock Washer | (A, B) |
| 57 | 339169X1 | 1 | Nut Metric | (A, B) |
| 50 | 404407M91 | 1 | Suspension | Right Hand (F, B) |
| 59 | 414024M91 | 1 | Support | Left Hand (F, A, B) |
| 60 | 413570M1 | 2 | Bolt | (D, A, B) (A) 6' TABLE (B) 7' TABLE (C) Up to Serial or Engine Number 1612 (D) From Serial or Engine Number 1613 (E) Up to Serial or Engine Number 2043 (F) From Serial or Engine Number 3044 (G) Up to Serial or Engine Number 6914 |

18-2

MESSER

KNIFE

LAME DE COUPE



Mähdrescher MF 31

415 718 M2 (Ausgabe 1) 12/70

KNIFE

| Item | Part Number | Qty | Description | Comments |
|------|-------------|-----|--------------|-----------|
| 1 | 411043M91 | 1 | Knife | (F, A) |
| | 417833M91 | 1 | Knife | (G, A) |
| | 411414M91 | 1 | Knife | (F, B) |
| | 417834M91 | 1 | Knife | (G, B) |
| 2 | 1724499M91 | 1 | Head | (A, B) |
| 3 | 206236M1 | 24 | Section | (F, A) |
| | 206236M1 | 28 | Section | (F, B) |
| | 210987M1 | 24 | Section | (G, A) |
| | 210987M1 | 28 | Section | (G, B) |
| 4 | 322638M1 | 2 | Plate | (A, B) |
| 5 | 391493X1 | 50 | Rivet | (A) |
| | 391493X1 | 58 | Rivet | (B) |
| 6 | 339419X1 | 4 | Rivet | (A, B) |
| 7 | 391498X1 | 3 | Rivet | (A, B) |
| 8 | 339204X1 | 2 | Screw | (A, B) |
| 9 | 339376X1 | 2 | Lock Washer | (A, B) |
| 10 | 339402X1 | 2 | Nut Metric | (A, B) |
| 11 | 404410M1 | 1 | Guide | (A, B) |
| 12 | 404409M1 | 1 | Guide | (A, B) |
| 13 | 404795M1 | 1 | Plate | (A, B) |
| 14 | 390640X1 | 2 | Screw Metric | (A, B) |
| 15 | 339376X1 | 2 | Lock Washer | (A, B) |
| 16 | 339402X1 | 2 | Nut Metric | (A, B) |
| 17 | 205977M21 | 11 | Guard | (C, E, A) |
| | 205977M21 | 13 | Guard | (C, E, B) |
| 18 | 206280M1 | 22 | Plate | (A) |
| | 206280M1 | 26 | Plate | (B) |
| 19 | 391500X1 | 22 | Rivet | (A) |
| | 391500X1 | 26 | Rivet | (B) |
| 20 | 206196M1 | 5 | Guide | (A) |
| | 206196M1 | 6 | Guide | (B) |
| 21 | 206195M1 | 5 | Clip | (A) |
| | 206195M1 | 6 | Clip | (B) |
| .22 | 339236X1 | 10 | Bolt Metric | (A) |
| 22 | 339236X1 | 12 | Bolt Metric | (B) |
| 23 | 339376X1 | 25 | Lock Washer | (A) |
| | 339376X1 | 29 | Lock Washer | (B) |
| 24 | 339402X1 | 25 | Nut Metric | (A) |
| | 339402X1 | 29 | Nut Metric | (B) |
| 25 | 339237X1 | 15 | Screw | (A) |
| | 339237X1 | 17 | Screw | (B) |
| 26 | 205913M21 | 1 | Finger | (C, A, B) |
| 27 | 206280M1 | 3 | Plate | (A, B) |
| 28 | 391500X1 | 3 | Rivet | (A, B) |
| 29 | 411051M91 | 1 | Guard | (A) |
| | 411361M91 | 1 | Guard | (B) |
| 30 | 322980M1 | 2 | Spring | (A, B) |
| 31 | 322979M1 | 2 | Knotter Hook | (A, B) |
| 32 | 640590M91 | 11 | Finger | (D, A) |
| | 640590M91 | 13 | Finger | (D, B) |
| 33 | 206280M1 | 22 | Plate | (A) |
| | 206280M1 | 26 | Plate | (B) |
| 34 | 340601X1 | 22 | Rivet | (A) |
| | 340601X1 | 26 | Rivet | (B) |
| 35 | 411646M91 | 1 | Finger | (D, A, B) |
| 36 | 206280M1 | 3 | Plate | (A, B) |
| 37 | 340601X1 | 3 | Rivet | (A, B) |
| 38 | 402321M1 | 2 | Plate | (A, B) |

(A)

6' TABLE

(B)

7' TABLE

(C)

Up to Serial or Engine Number 2673

(D)

From Serial or Engine Number 2674

(E)

Not serviced, order 1724652M91

(F)

SERRATED VERSION

MASSEY FERGUSON
MF 31 COMBINE - 415718

415718

KNIFE

18-2

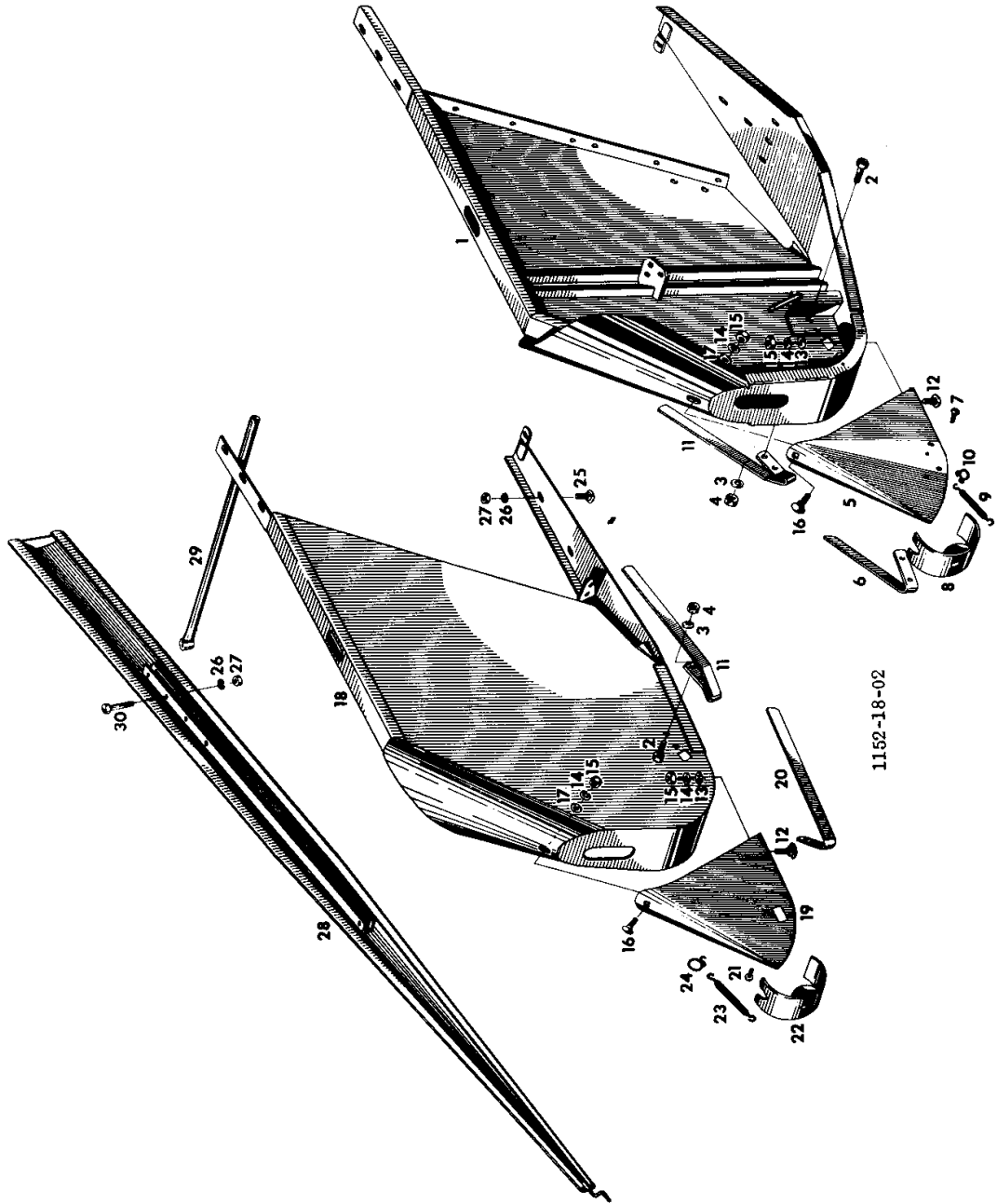
| Item | Part Number | Qty | Description | Comments |
|------|-------------|-----|-------------|-----------------------|
| | | | | (G) SMOOTH VERSION |

18-3

ABTEILER
bis Serien-Nr. 3043

DIVIDERS
up to No. 3043

DIVISEURS
jusqu' au No. 3043



1152-18-02

**MASSEY FERGUSON
MF 31 COMBINE - 415718**

415718

DIVIDERS - UP TO NO. 3043

18-3

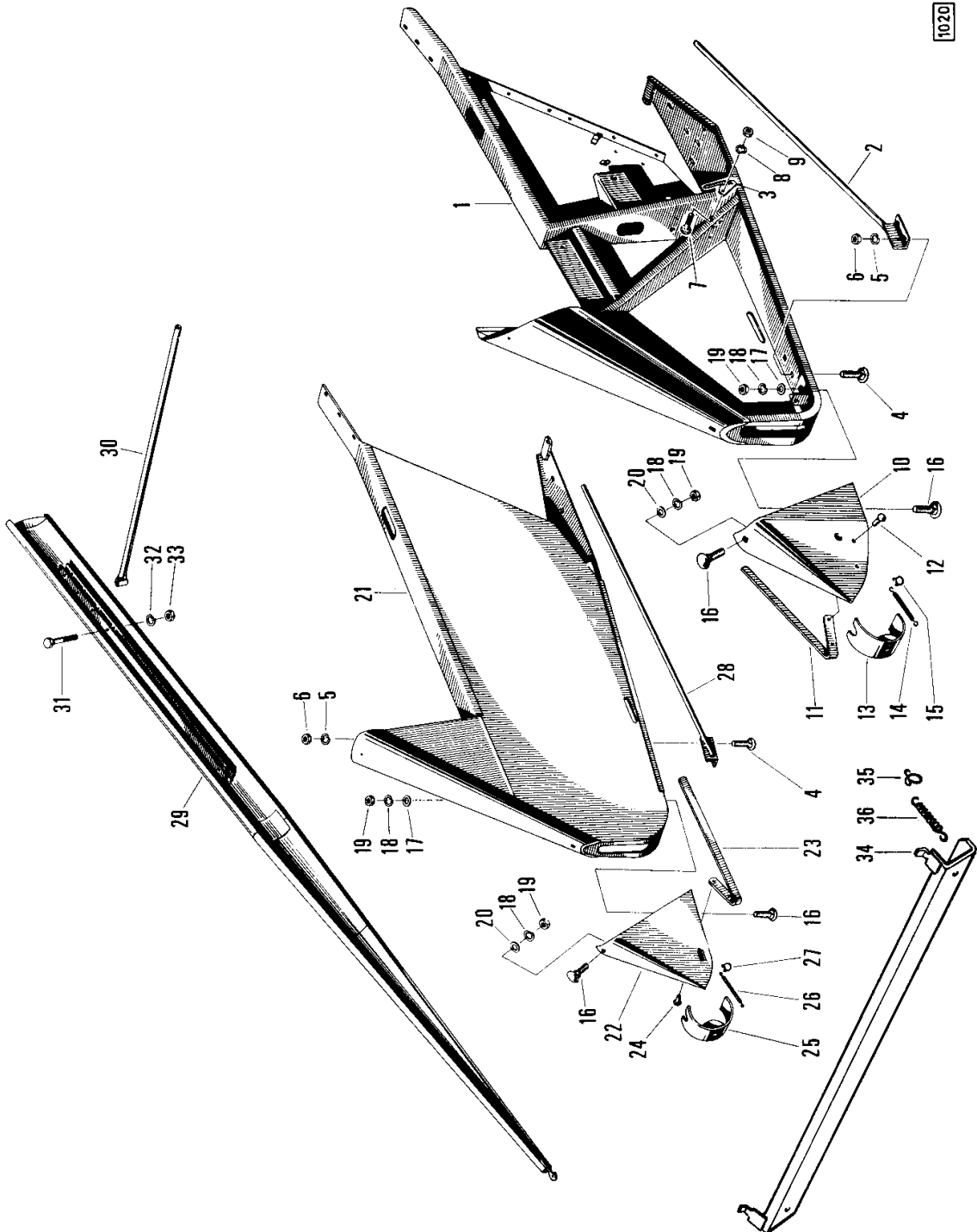
| Item | Part Number | Qty | Description | Comments |
|------|-------------|-----|---------------|------------------------------------|
| | | | | Up to Serial or Engine Number 3043 |
| 1 | 412360M91 | 1 | Divider | Left Hand |
| 2 | 339123X1 | 4 | Screw Metric | |
| 3 | 339374X1 | 4 | Lock Washer | |
| 4 | 339169X1 | 4 | Nut Metric | |
| 5 | 404559M92 | 1 | Shoe | Left Hand |
| 6 | 404765M1 | 1 | Bracket | |
| 7 | 391489X1 | 2 | Rivet | |
| 8 | 404790M92 | 1 | Guard | Left Hand |
| 9 | 1706101M1 | 1 | Spring | |
| 10 | 322979M1 | 1 | Knotter Hook | |
| 11 | 412388M1 | 2 | Stem | |
| 12 | 339170X1 | 2 | Screw | |
| 13 | 339056X1 | 2 | Washer Metric | |
| 14 | 339374X1 | 4 | Lock Washer | |
| 15 | 339169X1 | 4 | Nut Metric | |
| 16 | 339170X1 | 2 | Screw | |
| 17 | 339534X1 | 2 | Washer Metric | |
| 18 | 412447M91 | 1 | Divider | Right Hand |
| 19 | 404458M92 | 1 | Divider | Right Hand |
| 20 | 404765M1 | 1 | Bracket | |
| 21 | 391489X1 | 2 | Rivet | |
| 22 | 404794M92 | 1 | Guard | Right Hand |
| 23 | 1706101M1 | 1 | Spring | |
| 24 | 322979M1 | 1 | Knotter Hook | |
| 25 | 339172X1 | 3 | Bolt Metric | |
| 26 | 339376X1 | 4 | Lock Washer | |
| 27 | 339402X1 | 4 | Nut Metric | |
| 28 | 412461M91 | 1 | Fender | |
| 29 | 404642M91 | 1 | Tube | |
| 30 | 339019X1 | 1 | Bolt Metric | |

18-4

ABTEILER
ab Serien-Nr. 3044

DIVIDERS
from No. 3044

DIVISEURS
à partir du No. 3044



Mähdrösch MF 31

415 718 M2 (Ausgabe 1) 12/70

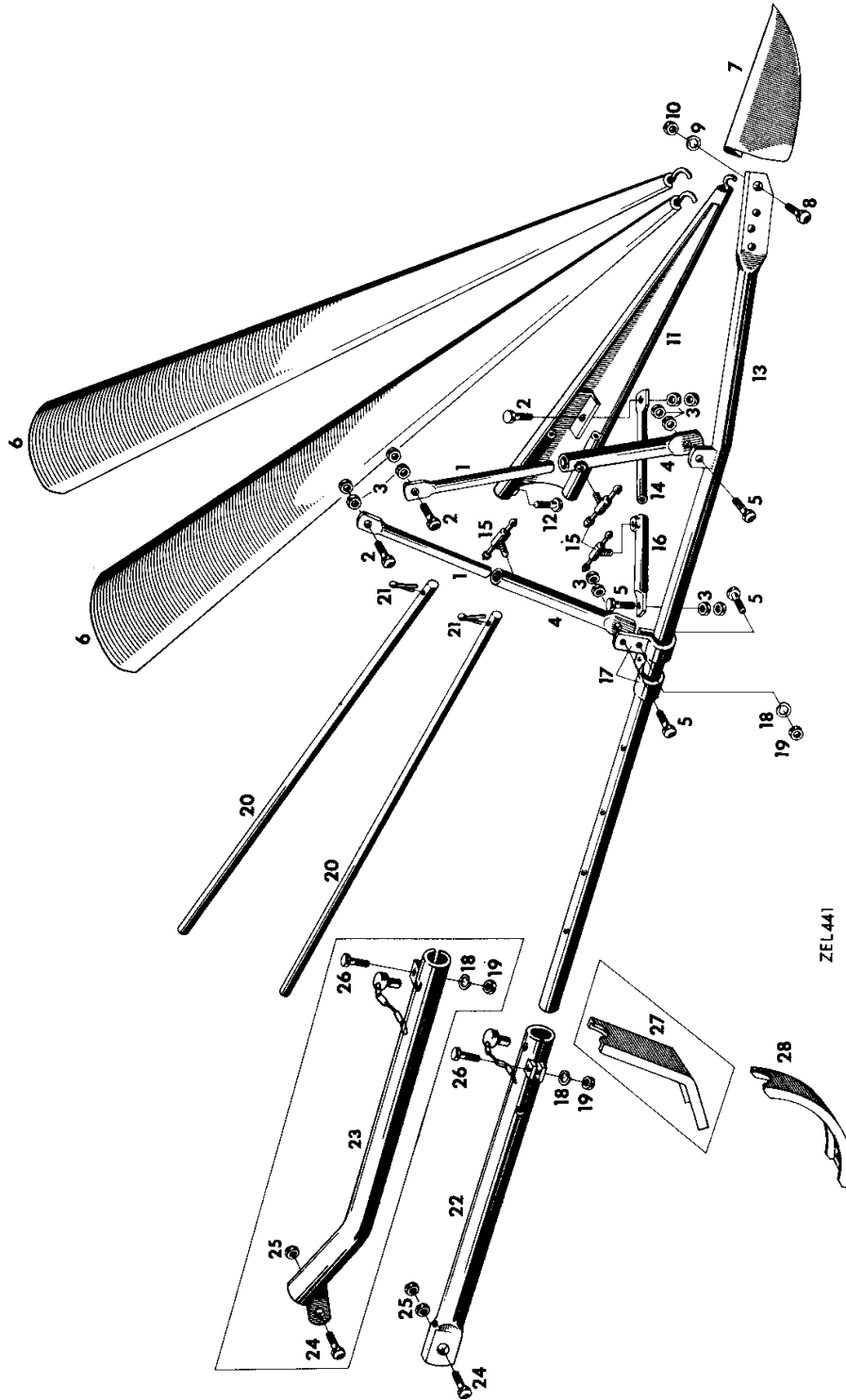
**MASSEY FERGUSON
MF 31 COMBINE - 415718**

415718

18-4

DIVIDERS - FROM NO. 3044

| Item | Part Number | Qty | Description | Comments |
|------|-------------|-----|---------------|-------------------------------------|
| | | | | From Serial or Engine Number 3044 |
| 1 | 404547M93 | 1 | Divider | Left Hand |
| 2 | 404562M91 | 1 | Tube | Left Hand |
| 3 | 404565M91 | 1 | Plate | |
| 4 | 339170X1 | 4 | Screw | |
| 5 | 339374X1 | 4 | Lock Washer | |
| 6 | 339169X1 | 4 | Nut Metric | |
| 7 | 339560X1 | 2 | Screw Metric | |
| 8 | 339375X1 | 2 | Lock Washer | |
| 9 | 339030X1 | 2 | Nut Metric | |
| 10 | 404559M92 | 1 | Shoe | Left Hand |
| 11 | 404765M1 | 1 | Bracket | |
| 12 | 391489X1 | 2 | Rivet | |
| 13 | 404790M92 | 1 | Guard | (A) Left Hand |
| 14 | 1706101M1 | 1 | Spring | |
| 15 | 322979M1 | 1 | Knotter Hook | |
| 16 | 339170X1 | 4 | Screw | |
| 17 | 339056X1 | 2 | Washer Metric | |
| 18 | 339374X1 | 4 | Lock Washer | |
| 19 | 339169X1 | 4 | Nut Metric | |
| 20 | 339534X1 | 2 | Washer Metric | |
| 21 | 404444M93 | 1 | Divider | Right Hand |
| 22 | 404458M92 | 1 | Divider | Right Hand |
| 23 | 404765M1 | 1 | Bracket | |
| 24 | 391489X1 | 2 | Rivet | |
| 25 | 404794M92 | 1 | Guard | (A) Right Hand |
| 26 | 1706101M1 | 1 | Spring | |
| 27 | 322979M1 | 1 | Knotter Hook | |
| | 322979M1 | 1 | Knotter Hook | |
| 28 | 404461M91 | 1 | Tube | Right Hand |
| 29 | 404631M91 | 1 | Cone | |
| 30 | 404642M91 | 1 | Tube | |
| 31 | 339019X1 | 1 | Bolt Metric | |
| 32 | 339376X1 | 1 | Lock Washer | |
| 33 | 339402X1 | 1 | Nut Metric | |
| 34 | 1723340M91 | 1 | Cowl | 6' (B) |
| | 1723342M91 | 1 | Guard | 7' (B) |
| 35 | 322979M1 | 2 | Knotter Hook | |
| 36 | 1706101M1 | 2 | Spring | |
| | | | | (A) NOT FOR GERMANY AND AUSTRIA |
| | | | | (B) ONLY FOR GERMANY AND AUSTRIA |



Mährescher MF 31

415 718 M2 (Ausgabe 1) 12/70

EXTENSION DIVIDERS

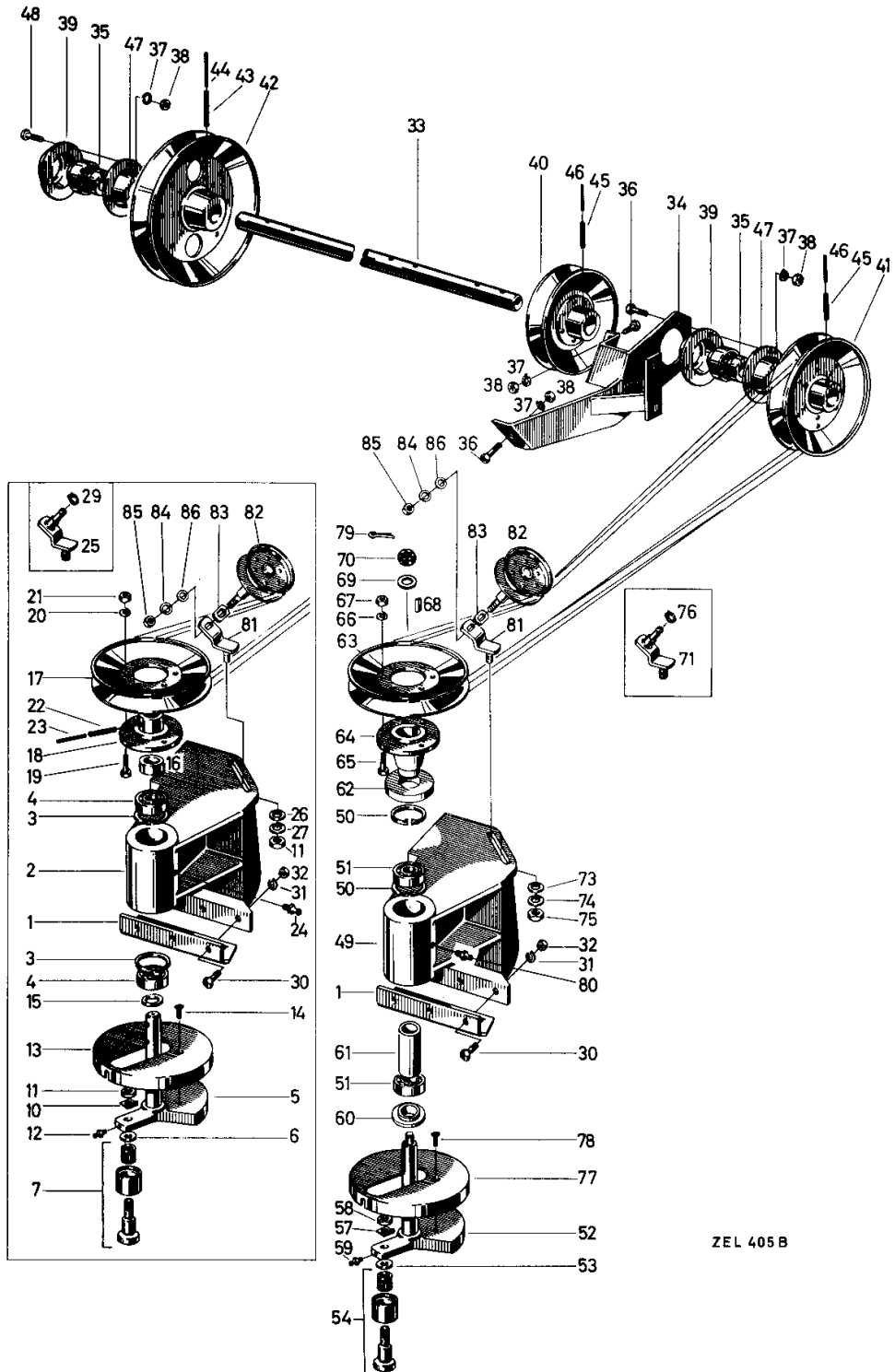
| Item | Part Number | Qty | Description | Comments |
|------|-------------|-----|--------------|------------------------------------|
| 1 | 404480M1 | 2 | Tube | |
| 2 | 339139X1 | 3 | Screw Metric | |
| 3 | 339186X1 | 12 | Nut Metric | |
| 4 | 404481M91 | 2 | Tube | |
| 5 | 339912X1 | 5 | Bolt | |
| 6 | 404473M91 | 2 | Cone | (A, E) |
| | 410571M91 | 2 | Cone | (B, C, E) |
| | 404748M91 | 2 | Cone | (B, D, E) |
| | 404473M91 | 4 | Cone | (A, B, F) |
| 7 | 404468M91 | 1 | Shoe | |
| 8 | 339761X1 | 2 | Screw Metric | |
| 9 | 339374X1 | 2 | Lock Washer | |
| 10 | 339169X1 | 2 | Nut Metric | |
| 11 | 404477M92 | 1 | Segment | |
| 12 | 339124X1 | 2 | Screw Metric | |
| 13 | 404956M91 | 1 | Tube | (A, E) |
| | 404464M91 | 1 | Tube | (B, E) |
| | 414906M91 | 2 | Tube | (A, B, F) |
| 14 | 404484M1 | 1 | Tube | |
| 15 | 404596M91 | 3 | Bolt | |
| 16 | 404485M91 | 1 | Tube | |
| 17 | 404491M91 | 2 | Clamp | |
| 18 | 339369X1 | 3 | Lock Washer | |
| 19 | 339054X1 | 3 | Nut Metric | |
| 20 | 404720M1 | 2 | Clevis Pin | |
| 21 | 390446X1 | 2 | Pin | |
| 22 | 404738M93 | 1 | Tube | (A, E) |
| | 414905M91 | 2 | Tube | (A, B, F) |
| 23 | 410573M91 | 1 | Tube | (B, C) |
| | 404746M92 | 1 | Tube | (B, D, E) |
| 24 | 339275X1 | 1 | Screw Metric | (C) |
| | 339275X1 | 1 | Screw Metric | (D) |
| | 339881X1 | 1 | Bolt Metric | (D) |
| | 391196X1 | 2 | Bolt Metric | (F) |
| 25 | 339495X1 | 2 | Nut | |
| 26 | 339053X1 | 1 | Bolt Metric | |
| 27 | 410576M1 | 1 | Shield | (C) |
| 28 | 404743M1 | 1 | Plate | (D) |
| | | | | (A) |
| | | | | RIGHT |
| | | | | (B) |
| | | | | LEFT |
| | | | | (C) |
| | | | | Up to Serial or Engine Number 3043 |
| | | | | (D) |
| | | | | From Serial or Engine Number 3044 |
| | | | | (E) |
| | | | | Up to Serial or Engine Number |
| | | | | (F) |
| | | | | From Serial or Engine Number |

18-6

SCHNEIDWERK VORGELEGE
UND MESSERANTRIEB

REDUCTION AND
KNIFE DRIVE

REDUCTEUR ET
COMMANDE DE LAME DE COUPE



ZEL 405 B

**MASSEY FERGUSON
MF 31 COMBINE - 415718**

415718

18-6

REDUCTION AND KNIFE DRIVE

| Item | Part Number | Qty | Description | Comments |
|------|-------------|-----|-----------------|--------------------------------------|
| 1 | 404411M1 | 1 | Anglepiece | |
| | 412380M93 | 1 | Bracket | (A) Not serviced, order 417264M91 |
| 2 | 404401M3 | 1 | Bearing Carrier | (A) |
| 3 | 339199X1 | 2 | Ring | |
| 4 | 1440489X1 | 2 | Bearing Ball | (A) |
| 5 | 402462M91 | 1 | Shaft | (A) |
| 6 | 412381M1 | 1 | Washer | |
| 7 | 417292M91 | 1 | Clevis Pin | |
| 10 | 412383M1 | 1 | Plate | |
| 11 | 339070X1 | 2 | Nut | |
| 12 | 390843X1 | 1 | Nipple | |
| 13 | 402997M1 | 1 | Cover | |
| 14 | 339153X1 | 2 | Screw Metric | |
| 15 | 390039X1 | 1 | Washer | (A) |
| 16 | 1706332M1 | 1 | Bush | (A) |
| | 402459M92 | 1 | Pulley | (A) |
| 17 | 403735M91 | 1 | Pulley | (A) |
| 18 | 402461M2 | 1 | Hub | (A) |
| 19 | 339666X1 | 6 | Screw Metric | |
| 20 | 339375X1 | 6 | Lock Washer | |
| 21 | 339030X1 | 6 | Nut Metric | |
| 22 | 339052X1 | 2 | Strip | (A) |
| 23 | 339174X1 | 2 | Pin | (A) |
| 24 | 339003X1 | 1 | Greaser | (A) |
| 25 | 402465M93 | 1 | Bearer | (E) |
| 26 | 339072X1 | 1 | Washer | |
| 27 | 339380X1 | 1 | Washer | |
| 29 | 339069X1 | 1 | Circlip | (A) |
| 30 | 339451X1 | 3 | Screw Metric | |
| 31 | 339376X1 | 3 | Lock Washer | |
| 32 | 339402X1 | 3 | Nut Metric | |
| 33 | 410952M1 | 1 | Shaft | (C) |
| | 411363M1 | 1 | Shaft | (D) |
| 34 | 410953M91 | 1 | Support | |
| 35 | 412260M1 | 2 | Bearing Assy | |
| 36 | 339123X1 | 7 | Screw Metric | |
| 37 | 339374X1 | 10 | Lock Washer | |
| 38 | 339169X1 | 10 | Nut Metric | |
| 39 | 412315M1 | 2 | Ring | |
| 40 | 412394M91 | 1 | Pulley | |
| 41 | 402325M92 | 1 | Pulley | |
| 42 | 410910M91 | 1 | Pulley | |
| 43 | 339192X1 | 2 | Pin | |
| 44 | 390533X1 | 2 | Pin | |
| 45 | 390383X1 | 4 | Pin | |
| 46 | 390543X1 | 4 | Pin | |
| 47 | 412261M1 | 2 | Ring | |
| 48 | 339124X1 | 3 | Screw Metric | (C) |
| | 390379X1 | 3 | Bolt Metric | (D) |
| | 417264M91 | 1 | Bracket | (B) |
| 49 | 414699M1 | 1 | Housing | (B, H) |
| | 417265M1 | 1 | Bracket | (J) |
| 50 | 339199X1 | 2 | Ring | |
| 51 | 339599X1 | 2 | Bearing Ball | (B, H) |
| | 1440489X1 | 2 | Bearing Ball | (J) |
| | 417264M91 | | Bracket | |
| 52 | 414700M91 | 1 | Shaft | (B, H) |
| | 417270M91 | 1 | Shaft | (J) |
| 53 | 412381M1 | 1 | Washer | |
| 54 | 417292M91 | 1 | Clevis Pin | |
| 57 | 412383M1 | 1 | Plate | |
| 58 | 339070X1 | 1 | Nut | |
| 59 | 390843X1 | 1 | Nipple | |
| 60 | 414703M1 | 1 | Ring | (B, H) |
| | 417273M1 | 1 | Washer | (J) |
| 61 | 414704M1 | 1 | Tube | (B, H) |
| | 1706404M1 | 1 | Tube | (J) |
| 62 | 414705M1 | 1 | Washer | (B, H) |
| | 417268M1 | 1 | Plate | (J) |

REDUCTION AND KNIFE DRIVE

| Item | Part Number | Qty | Description | Comments |
|------|-------------|-----|---------------|----------|
| | 414706M91 | 1 | Pulley | (B, H) |
| | 417266M91 | 1 | Pulley | (J) |
| 63 | 403735M91 | 1 | Pulley | (B) |
| 64 | 414707M1 | 1 | Hub | (B, H) |
| | 417267M1 | 1 | Hub | (J) |
| 65 | 339666X1 | 6 | Screw Metric | |
| 66 | 339375X1 | 6 | Lock Washer | |
| 67 | 339030X1 | 6 | Nut Metric | |
| 68 | 391186X1 | 1 | Key Door | (B, H) |
| | 391411X1 | 1 | Key Door | (J) |
| 69 | 391212X1 | 1 | Washer Metric | (B, H) |
| | 391459X1 | 1 | Washer Metric | (J) |
| 70 | 391214X1 | 1 | Nut Metric | (B, H) |
| | 391232X1 | 1 | Nut | (J) |
| 71 | 402465M93 | 1 | Bearer | (E) |
| 73 | 339072X1 | 1 | Washer | |
| 74 | 339380X1 | 1 | Washer | |
| 75 | 339070X1 | 1 | Nut | |
| 76 | 391062X1 | 1 | Segment | (B, E) |
| 77 | 402997M1 | 1 | Cover | |
| 78 | 339153X1 | 2 | Screw Metric | |
| 79 | 390447X1 | 1 | Pin | (H) |
| | 390448X1 | 1 | Pin | (J) |
| 80 | 339003X1 | 1 | Greaser | (J) |
| 81 | 417205M91 | 1 | Bearer | (F) |
| | 416579M91 | 1 | Pulley | (G) |
| 82 | 416580M91 | 1 | Pulley | (G) |
| 83 | 416584M1 | 1 | Washer | |
| 84 | 339380X1 | 1 | Washer | |
| 85 | 339070X1 | 1 | Nut | |
| 86 | 339072X1 | 1 | Washer | |

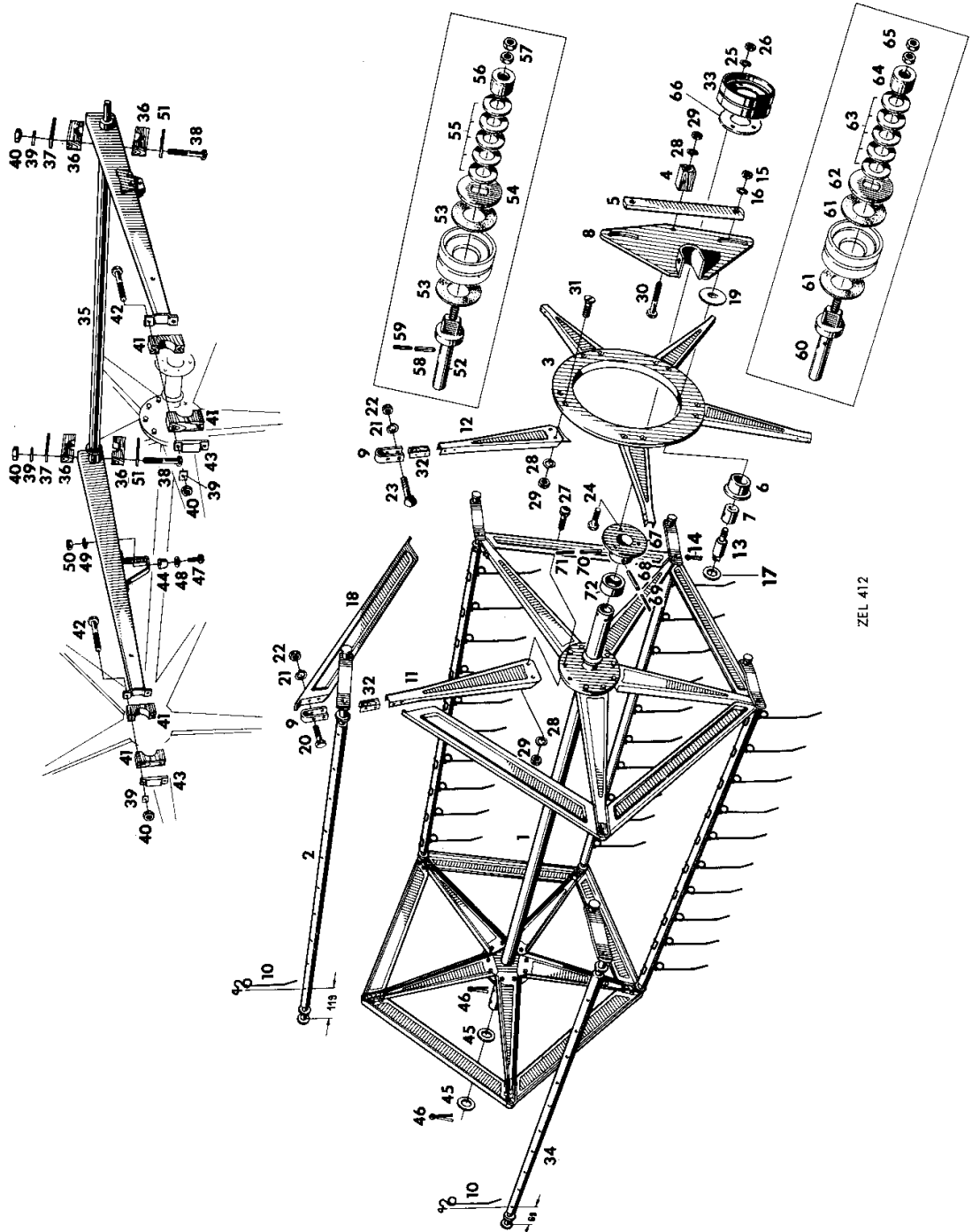
(A)
Up to Serial or Engine Number 4634
(B)
From Serial or Engine Number 4635
(C)
6' TABLE
(D)
7' TABLE
(E)
Up to Serial or Engine Number 6914
(F)
From Serial or Engine Number 6915
(G)
Up to Serial or Engine Number 6914
Not serviced, order 417205M91
(H)
Up to Serial or Engine Number 7332
(J)
From Serial or Engine Number 7333

18-7

HASPEL (ROHR) UND
HASPELTRAGROHR

REEL (TUBE) AND
REEL CARRIER

RABATTEUR (TUBE)
ET BRAS DE RABATTEUR



ZEL 412

Mähdrösch MF 31

415 718 M2 (Ausgabe 1) 12/70

**MASSEY FERGUSON
MF 31 COMBINE - 415718**

415718

18-7

REEL (TUBE) AND REEL CARRIER

| Item | Part Number | Qty | Description | Comments |
|------|-------------|-----|--------------|----------------------------|
| 1 | 411087M91 | 1 | Shaft | (D, A) |
| | 411391M91 | 1 | Shaft | (D, B) |
| | 411669M92 | 1 | Shaft | INCL. REF. 67-72 (E, A) |
| | 411671M92 | 1 | Shaft | INCL. REF. 67-72 (E, B) |
| | 411716M91 | 1 | Shaft | (F, A) |
| | 411718M91 | 1 | Shaft | (F, B) |
| 2 | 411490M91 | 2 | Bar | (A) |
| | 411419M91 | 2 | Bar | (B) |
| 3 | 401903M91 | 1 | Head | (A, B) |
| 4 | 320614M1 | 1 | Block | (A, B) |
| 5 | 320610M1 | 1 | Strap | (A, B) |
| 6 | 320018M2 | 2 | Trunnion | (A, B, M) |
| | 415262M91 | 2 | Roller | (N, A, B) |
| 7 | 1706473M1 | 2 | Bush | (N, A, B) |
| | 320016M1 | 2 | Bush | (M, A, B) |
| 8 | 322344M91 | 1 | Plate | (A, B) |
| 9 | 320603M1 | 15 | Clamp | (A, B) |
| 10 | 411467M1 | 50 | Tine | (A) |
| | 411467M1 | 60 | Tine | (B) |
| 11 | 401905M2 | 10 | Arm | (A, B) |
| 12 | 403521M91 | 5 | Arm | (A, B) |
| 13 | 320017M1 | 2 | Bolt | (M, A, B) |
| | 415266M1 | 2 | Bolt | (N, A, B) |
| 14 | 339133X1 | 2 | Pin | (N, A, B) |
| 15 | 339623X1 | 2 | Nut Metric | (A, B) |
| 16 | 339377X1 | 2 | Lock Washer | (A, B) |
| 17 | 339027X1 | 2 | Washer | (M, A, B) |
| | | | Metric | |
| | 390461X1 | 2 | Washer | (N, A, B) |
| 18 | 401908M1 | 10 | Shield | (A, B) |
| 19 | 391390X1 | 2 | Washer | (M, A, B) |
| | | | Metric | |
| | 415265M1 | 2 | Washer | (N, A, B) |
| 20 | 339229X1 | 20 | Bolt Metric | (A, B) |
| 21 | 339375X1 | 30 | Lock Washer | (A, B) |
| 22 | 339030X1 | 30 | Nut Metric | (A, B) |
| 23 | 339215X1 | 10 | Bolt | (A, B) |
| 24 | 339451X1 | 3 | Screw Metric | (A, B) |
| 25 | 339376X1 | 3 | Lock Washer | (A, B) |
| 26 | 339402X1 | 3 | Nut Metric | (A, B) |
| 27 | 339124X1 | 20 | Screw Metric | (A, B) |
| 28 | 339374X1 | 31 | Lock Washer | (A, B) |
| 29 | 339169X1 | 31 | Nut Metric | (A, B) |
| 30 | 339013X1 | 1 | Bolt Metric | (A, B) |
| 31 | 339153X1 | 10 | Screw Metric | (A, B) |
| 32 | 401729M1 | 15 | Bearing | (A, B) |
| 33 | 322354M91 | 1 | Pulley | (D, A, B) |
| | 411659M1 | 1 | Pulley | (G, A, B) |
| 34 | 411488M91 | 3 | Bar | (A) |
| | 411418M91 | 3 | Tube | (B) |
| 35 | 411034M93 | 1 | Carrier | 6' (C, A) |
| | 411421M93 | 1 | Carrier | 7' (C, B) |
| 36 | 320713M1 | 4 | Bearing | (A, B) |
| 37 | 320714M1 | 2 | Plate | (A, B) |
| 38 | 339557X1 | 4 | Screw | (A, B) |
| 39 | 321728M1 | 8 | Plate | (A, B) |
| 40 | 339169X1 | 8 | Nut Metric | (A, B) |
| 41 | 320712M1 | 4 | Bearing | (A, B) |
| 42 | 339132X1 | 4 | Screw | (A, B) |
| 43 | 320715M1 | 2 | Plate | (H, A, B) |
| 44 | 411061M1 | 1 | Bumper | (A) |
| 45 | 391395X1 | 2 | Washer | (A, B) |
| | | | Metric | |
| 46 | 339039X1 | 2 | Pin | (A, B) |
| 47 | 339709X1 | 1 | Bolt | (A) |

REEL (TUBE) AND REEL CARRIER

| Item | Part Number | Qty | Description | Comments |
|------|-------------|-----|------------------|-----------|
| 48 | 390469X1 | 1 | Washer Metric | (A) |
| 49 | 339381X1 | 1 | Lock Washer | (A) |
| 50 | 339029X1 | 1 | Nut | (A) |
| 51 | 411645M1 | 2 | Plate | (A, B) |
| 52 | 411693M1 | 1 | Trunnion | (J, A, B) |
| 53 | 411687M1 | 2 | Lining | (J, A, B) |
| 54 | 411688M1 | 1 | Washer | (J, A, B) |
| 55 | 1441178X1 | 5 | Spring | (J, A, B) |
| 56 | 411692M91 | 1 | Bush | (J, A, B) |
| 57 | 339592X1 | 2 | Nut Metric | (J, A, B) |
| 58 | 339193X1 | 1 | Pin | (J, A, B) |
| 59 | 339248X1 | 1 | Pin | (J, A, B) |
| 60 | 411686M1 | 1 | Trunnion | (K, A, B) |
| 61 | 411687M1 | 2 | Lining | (K, A, B) |
| 62 | 411688M1 | 1 | Washer | (K, A, B) |
| 63 | 1441178X1 | 5 | Spring | (K, A, B) |
| 64 | 411692M91 | 1 | Bush | (K, A, B) |
| 65 | 339592X1 | 2 | Nut Metric | (K, A, B) |
| 66 | 411661M1 | 1 | Washer | (A, B) |
| 67 | 411713M91 | 1 | Disc | (L, A, B) |
| 68 | 339193X1 | 1 | Pin | (L, A, B) |
| 69 | 339248X1 | 1 | Pin | (L, A, B) |
| 70 | 339192X1 | 1 | Pin | (L, A, B) |
| 71 | 390533X1 | 1 | Pin | (L, A, B) |
| 72 | 1706427M1 | 1 | Spacer | (L, A, B) |

(A)

6' TABLE

(B)

7' TABLE

(C)

Up to Serial or Engine Number 2443

Not serviced, order 390070X1

(D)

Up to Serial or Engine Number 1960

(E)

NO. 1961-NO. 2456

(F)

From Serial or Engine Number 2457

(G)

From Serial or Engine Number 1961

(H)

U.K. 1 ONLY

(J)

SPECIAL EQUIPMENT - NO. 1961 - NO. 2127, NO. 2150 - NO. 2159, NO. 2162 - NO. 2243

(K)

From Serial or Engine Number 2244

(L)

From Serial or Engine Number

(M)

Up to Serial or Engine Number 4634

(N)

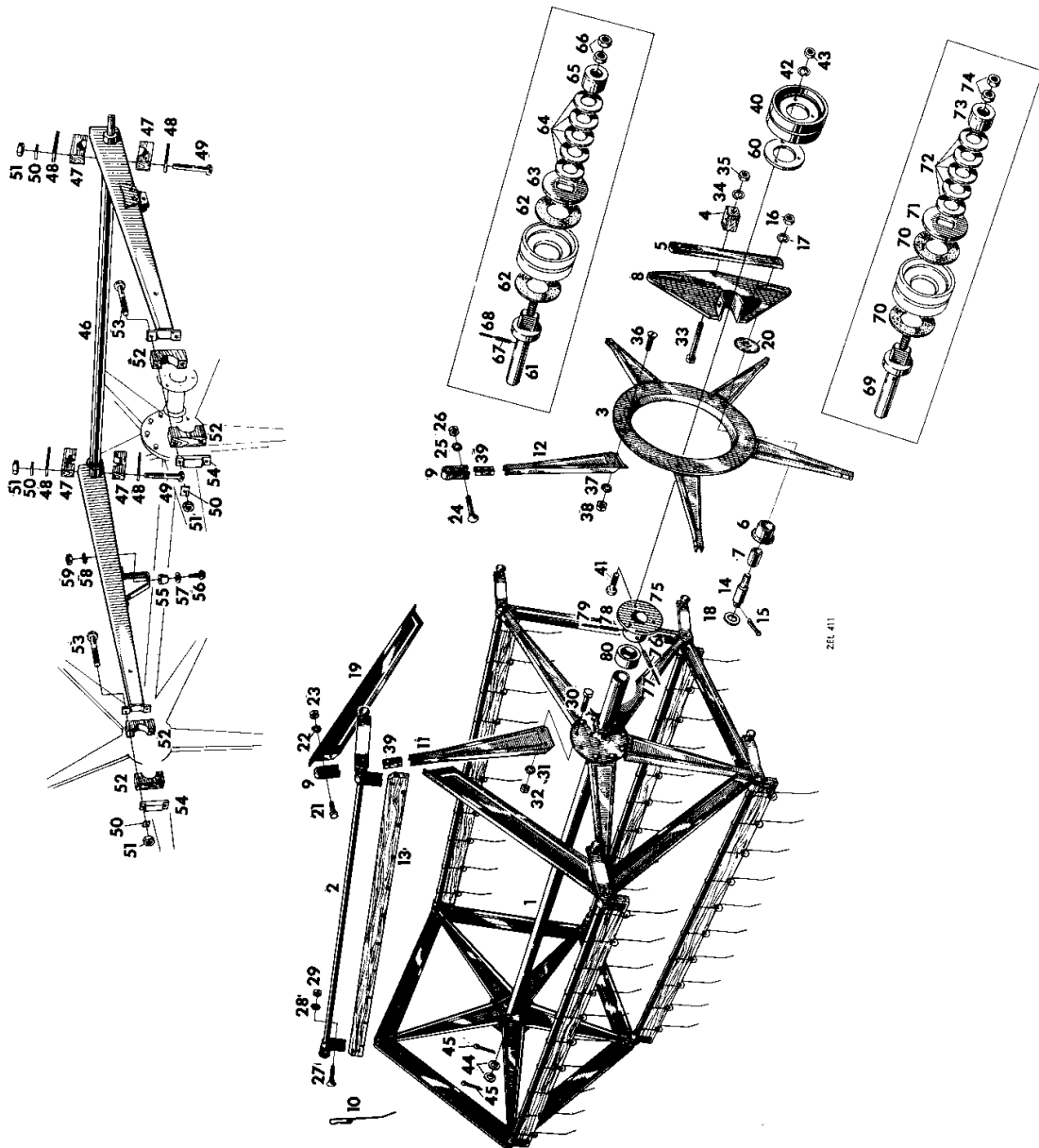
From Serial or Engine Number 4635

18-8

HASPEL (LATTEN) UND
HASPELTRAGROHR

REEL (SLATS) AND
REEL CARRIER

RABATTEUR (LATTES) ET
BRAS DE RABATTEUR



Mähdrescher MF 31

415 718 M2 (Ausgabe 1) 12/70

**MASSEY FERGUSON
MF 31 COMBINE - 415718**

415718

18-8

REEL (SLATS) AND REEL CARRIER

| Item | Part Number | Qty | Description | Comments |
|------|-------------|-----|--------------|----------------------------|
| 1 | 411087M91 | 1 | Shaft | (D, A) |
| | 411391M91 | 1 | Shaft | (D, B) |
| | 411669M92 | 1 | Shaft | INCL. REF. 75-80 (E, A) |
| | 411671M92 | 1 | Shaft | INCL. REF. 75-80 (E, B) |
| | 411716M91 | 1 | Shaft | (F, A) |
| | 411718M91 | 1 | Shaft | (F, B) |
| 2 | 411493M91 | 5 | Tube | (A) |
| | 411496M91 | 5 | Carrier | (B) |
| 3 | 401903M1 | 1 | Ring | (A, B) |
| 4 | 320614M1 | 1 | Block | (A, B) |
| 5 | 320610M1 | 1 | Strap | (A, B) |
| 6 | 320018M2 | 2 | Trunnion | (M, A, B) |
| | 415262M91 | 2 | Roller | (N, A, B) |
| 7 | 1706473M1 | 2 | Bush | (N, A, B) |
| | 320016M1 | 2 | Bush | (M, A, B) |
| 8 | 322344M91 | 1 | Plate | (A, B) |
| 9 | 320603M1 | 15 | Clamp | (A, B) |
| 10 | 320206M1 | 50 | Tine | (A) |
| | 320206M1 | 60 | Tine | (B) |
| 11 | 401905M2 | 10 | Arm | (A, B) |
| 12 | 403521M91 | 5 | Arm | (A, B) |
| 13 | 411495M1 | 5 | Slat | (A) |
| | 411498M1 | 5 | Slat | (B) |
| 14 | 320017M1 | 2 | Bolt | (M, A, B) |
| | 415266M1 | 2 | Bolt | (N, A, B) |
| 15 | 339133X1 | 2 | Pin | (N, A, B) |
| 16 | 339623X1 | 2 | Nut Metric | (A, B) |
| 17 | 339377X1 | 2 | Lock Washer | (A, B) |
| 18 | 339027X1 | 2 | Washer | (A, B) |
| | | | Metric | |
| | 390461X1 | 2 | Washer | (A, B) |
| 19 | 401908M1 | 10 | Shield | (A, B) |
| 20 | 391390X1 | 2 | Washer | (M, A, B) |
| | | | Metric | |
| | 415265M1 | 2 | Washer | (N, A, B) |
| 21 | 339229X1 | 20 | Bolt Metric | (A, B) |
| 22 | 339375X1 | 20 | Lock Washer | (A, B) |
| 23 | 339030X1 | 20 | Nut Metric | (A, B) |
| 24 | 339215X1 | 10 | Bolt | (A, B) |
| 25 | 339375X1 | 10 | Lock Washer | (A, B) |
| 26 | 339030X1 | 10 | Nut Metric | (A, B) |
| 27 | 339215X1 | 20 | Bolt | (A) |
| | 339215X1 | 30 | Bolt | (B) |
| 28 | 339375X1 | 20 | Lock Washer | (A) |
| | 339375X1 | 30 | Lock Washer | (B) |
| 29 | 339030X1 | 20 | Nut Metric | (A) |
| | 339030X1 | 30 | Nut Metric | (B) |
| 30 | 339124X1 | 20 | Screw Metric | (A, B) |
| 31 | 339374X1 | 20 | Lock Washer | (A, B) |
| 32 | 339169X1 | 20 | Nut Metric | (A, B) |
| 33 | 339013X1 | 1 | Bolt Metric | (A, B) |
| 34 | 339374X1 | 1 | Lock Washer | (A, B) |
| 35 | 339169X1 | 1 | Nut Metric | (A, B) |
| 36 | 339153X1 | 10 | Screw Metric | (A, B) |
| 37 | 339374X1 | 10 | Lock Washer | (A, B) |
| 38 | 339169X1 | 10 | Nut Metric | (A, B) |
| 39 | 401729M1 | 15 | Bearing | (A, B) |
| 40 | 322354M91 | 1 | Pulley | (D, A, B) |
| | 411659M1 | 1 | Pulley | (G, A, B) |
| 41 | 339451X1 | 3 | Screw Metric | (A, B) |
| 42 | 339376X1 | 3 | Lock Washer | (A, B) |
| 43 | 339402X1 | 3 | Nut Metric | (A, B) |
| 44 | 391395X1 | 2 | Washer | (A, B) |
| | | | Metric | |
| 45 | 339039X1 | 2 | Pin | (A, B) |
| 46 | 411034M93 | 1 | Carrier | (C, A) |
| | 411421M93 | 1 | Carrier | (C, B) |
| 47 | 320713M1 | 4 | Bearing | (A, B) |

REEL (SLATS) AND REEL CARRIER

| Item | Part Number | Qty | Description | Comments |
|------|-------------|-----|------------------|-----------|
| 48 | 320714M1 | 4 | Plate | (A, B) |
| 49 | 339587X1 | 4 | Washer | (A, B) |
| 50 | 321728M1 | 8 | Plate | (A, B) |
| 51 | 339169X1 | 8 | Nut Metric | (A, B) |
| 52 | 320712M1 | 4 | Bearing | (A, B) |
| 53 | 339132X1 | 4 | Screw | (A, B) |
| 54 | 320715M1 | 2 | Plate | (H, A, B) |
| 55 | 411061M1 | 1 | Bumper | (A) |
| 56 | 339709X1 | 1 | Bolt | (A) |
| 57 | 390469X1 | 1 | Washer Metric | (A) |
| 58 | 339381X1 | 1 | Lock Washer | (A) |
| 59 | 339029X1 | 1 | Nut | (A) |
| 60 | 411661M1 | 1 | Washer | (A, B) |
| 61 | 411693M1 | 1 | Trunnion | (J, A, B) |
| 62 | 411684M1 | 2 | Lining | (J, A, B) |
| 63 | 411688M1 | 1 | Washer | (J, A, B) |
| 64 | 1441178X1 | 5 | Spring | (J, A, B) |
| 65 | 411692M91 | 1 | Bush | (J, A, B) |
| 66 | 339592X1 | 2 | Nut Metric | (J, A, B) |
| 67 | 339193X1 | 1 | Pin | (J, A, B) |
| 68 | 339248X1 | 1 | Pin | (J, A, B) |
| 69 | 411686M1 | 1 | Trunnion | (K, A, B) |
| 70 | 411687M1 | 2 | Lining | (K, A, B) |
| 71 | 411688M1 | 1 | Washer | (K, A, B) |
| 72 | 1441178X1 | 5 | Spring | (K, A, B) |
| 73 | 411692M91 | 1 | Bush | (K, A, B) |
| 74 | 339592X1 | 2 | Nut Metric | (K, A, B) |
| 75 | 411713M91 | 1 | Disc | (L, A, B) |
| 76 | 339193X1 | 1 | Pin | (L, A, B) |
| 77 | 339248X1 | 1 | Pin | (L, A, B) |
| 78 | 339192X1 | 1 | Pin | (L, A, B) |
| 79 | 390533X1 | 1 | Pin | (L, A, B) |
| 80 | 1706427M1 | 1 | Spacer | (L, A, B) |

(A)

6' TABLE

(B)

7' TABLE

(C)

Up to Serial or Engine Number 2243

Not serviced, order 390070X1

(D)

Up to Serial or Engine Number 1960

(E)

NO. 1961 - NO. 2456

(F)

From Serial or Engine Number 2457

(G)

From Serial or Engine Number 1961

(H)

U.K. 1 ONLY

(J)

SPECIAL EQUIPMENT - NO. 1961 - NO. 2127, NO. 2150 - NO. 2159, NO. 2162 - NO. 2243

(K)

From Serial or Engine Number 2244

(L)

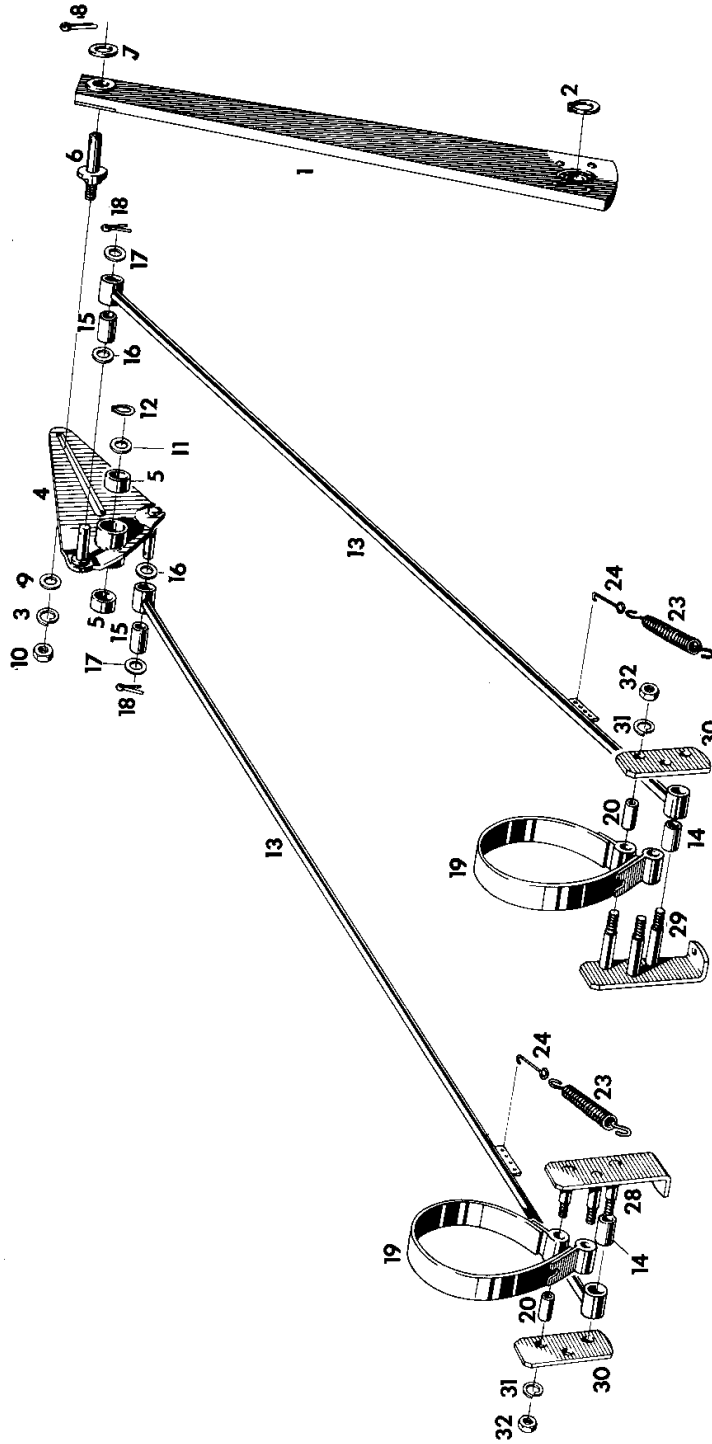
From Serial or Engine Number

(M)

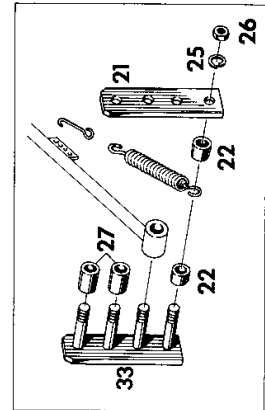
Up to Serial or Engine Number 4634

(N)

From Serial or Engine Number 4635



404 A



**MASSEY FERGUSON
MF 31 COMBINE - 415718**

415718

18-9

REEL DRIVE-HYDRAULIC ADJUSTING

| Item | Part Number | Qty | Description | Comments |
|------|-------------|-----|---------------|-------------------|
| 1 | 413582M91 | 1 | Rod | |
| 2 | 1440475X1 | 1 | Circlip | |
| 3 | 339369X1 | 1 | Lock Washer | |
| 4 | 410946M91 | 1 | Plate | (A) |
| | 411666M91 | 1 | Plate | (B) |
| 5 | 1706307M1 | 2 | Bush | |
| 6 | 410950M1 | 1 | Clevis Pin | (A) |
| | 401910M3 | 1 | Pin | (B) |
| 7 | 339027X1 | 1 | Washer Metric | |
| 8 | 339058X1 | 1 | Pin | |
| 9 | 391387X1 | 1 | Washer Metric | |
| 10 | 339054X1 | 1 | Nut Metric | |
| 11 | 390087X1 | 1 | Washer | |
| 12 | 1440476X1 | 1 | Circlip | |
| 13 | 322256M91 | 2 | Conrod | (A) |
| | 401926M93 | 2 | Rod | (B) |
| 14 | 1706467M1 | 2 | Bush | |
| 15 | 1706466M1 | 2 | Bush | |
| 16 | 390701X1 | 2 | Washer Metric | (A) |
| 17 | 339026X1 | 2 | Washer Metric | |
| 18 | 391402X1 | 2 | Pin | |
| 19 | 322254M93 | 2 | Band | (A) |
| | 1721307M91 | 2 | Band | (B) |
| 20 | 1706467M1 | 4 | Bush | |
| 21 | 320706M2 | 2 | Support | (A) |
| 22 | 320443M1 | 4 | Bush | (A) |
| 23 | 1706119M1 | 2 | Spring | |
| 24 | 321203M1 | 2 | Knotter Hook | |
| 25 | 339375X1 | 8 | Lock Washer | (A) |
| 26 | 339030X1 | 8 | Nut Metric | (A) |
| 27 | 320707M1 | 4 | Roller | (A) |
| 28 | 403285M92 | 1 | Plate | Right Hand (B) |
| 29 | 403282M92 | 1 | Lever | Left Hand (B) |
| 30 | 403287M1 | 2 | Plate | (B) |
| 31 | 339376X1 | 6 | Lock Washer | (B) |
| 32 | 339402X1 | 6 | Nut Metric | (B) |
| 33 | 322255M92 | 2 | Support | (A) (A) |

Up to Serial or Engine Number 1960
(B)
From Serial or Engine Number 1961

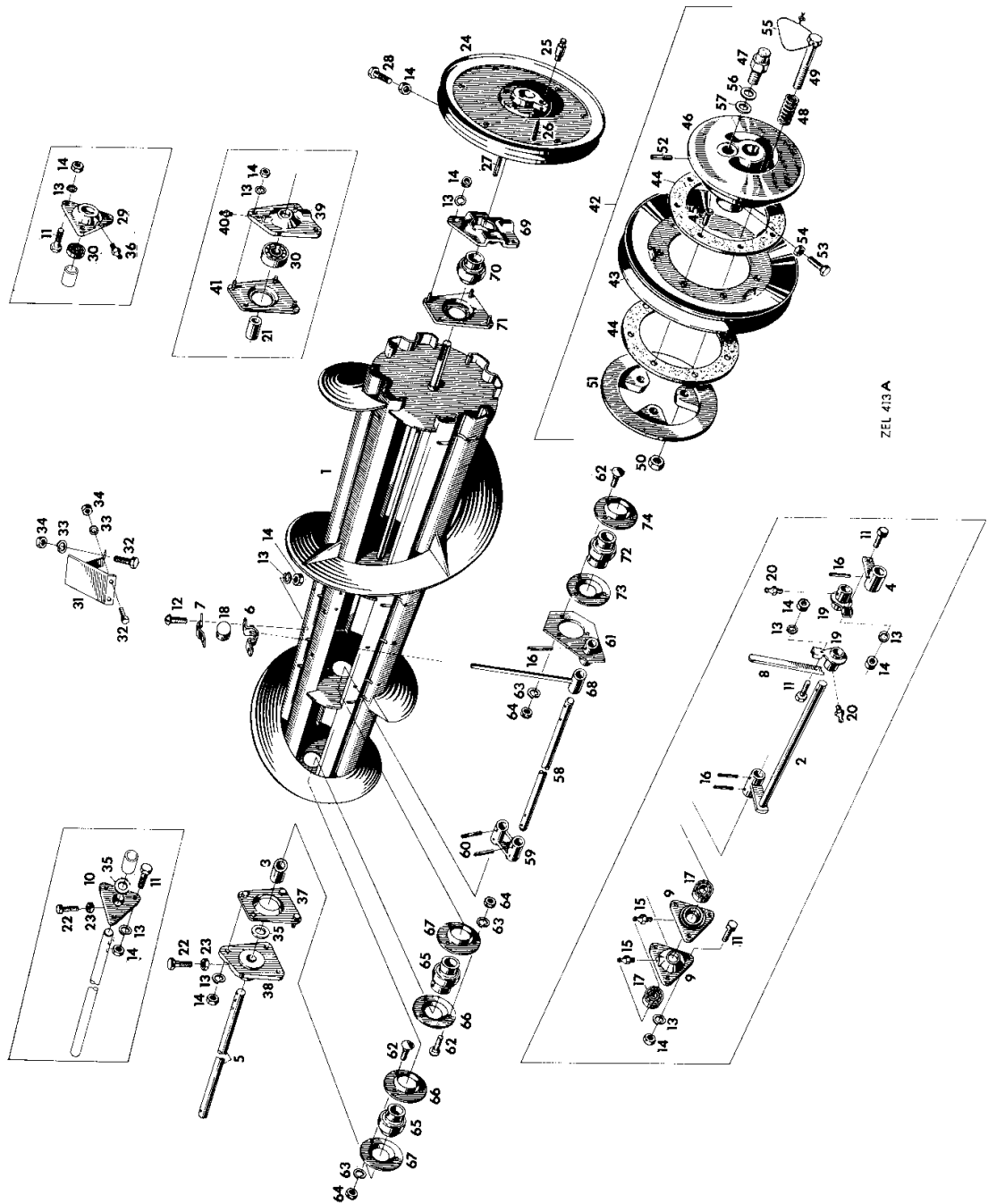
MF 31 COMBINE - 415718

18-10

FRONTSCHNECKE

FRONT AUGER

VIS D' ALIMENTATION



Mährescher MF 31

415 718 M2 (Ausgabe 1) 12/70

**MASSEY FERGUSON
MF 31 COMBINE - 415718**

415718

18-10

FRONT AUGER

| Item | Part Number | Qty | Description | Comments |
|------|-------------|-----|-----------------|-------------------|
| 1 | 411075M92 | 1 | Auger | (A) |
| | 411872M92 | 1 | Screw | (B) |
| | 411424M92 | 1 | Screw | (A) |
| | 411846M92 | 1 | Auger | (B) |
| 2 | 320212M92 | 1 | Shaft | (A) |
| 3 | 411083M1 | 1 | Bush | (A) |
| 4 | 320233M91 | 1 | Crank | (A) |
| 5 | 411084M1 | 1 | Shaft | (C) |
| | 411641M1 | 1 | Shaft | (A) |
| | 411878M1 | 1 | Shaft | (B) |
| | 411640M1 | 1 | Shaft | (A) |
| | 411859M1 | 1 | Shaft | (B) |
| 6 | 320208M1 | 8 | Clamp | (A) |
| | 401881M1 | 8 | Clamp | (B) |
| 7 | 320209M1 | 8 | Clamp | (A) |
| | 401880M1 | 8 | Clamp | (B) |
| 8 | 320259M1 | 8 | Finger | (A) |
| 9 | 320002M1 | 2 | Bearing Carrier | (A) |
| 10 | 320349M2 | 1 | Bearing | (C) |
| 11 | 339123X1 | 21 | Screw Metric | |
| 12 | 339043X1 | 16 | Screw Metric | |
| 13 | 339374X1 | 37 | Lock Washer | |
| 14 | 339169X1 | 38 | Nut Metric | |
| 15 | 339003X1 | 2 | Greaser | |
| 16 | 339071X1 | 3 | Pin | |
| 17 | 1440489X1 | 2 | Bearing Ball | (A) |
| 18 | 204660M3 | 8 | Bearing | (A) |
| | 401733M1 | 8 | Guide | (B) |
| 19 | 323293M93 | 9 | Bearing | (A) |
| 20 | 390843X1 | 9 | Nipple | (A) |
| 21 | 411278M1 | 1 | Bush | (A) |
| 22 | 339400X1 | 1 | Bolt | |
| 23 | 339402X1 | 1 | Nut Metric | |
| 24 | 411085M91 | 1 | Pulley | |
| 25 | 411086M1 | 1 | Clevis Pin | |
| 26 | 339071X1 | 1 | Pin | |
| 27 | 339310X1 | 1 | Key Parallel | |
| 28 | 390594X1 | 1 | Bolt Metric | |
| 29 | 320003M1 | 1 | Bearing Carrier | (C) |
| 30 | 1440491X1 | 1 | Bearing Ball | (A) |
| 31 | 324875M91 | 2 | Shovel | |
| 32 | 339230X1 | 6 | Screw Metric | |
| 33 | 339375X1 | 6 | Lock Washer | |
| 34 | 339030X1 | 6 | Nut Metric | |
| 35 | 339574X1 | X | Washer Metric | (A) |
| 36 | 339004X1 | 1 | Greaser | (C) |
| 37 | 413565M91 | 1 | Ring | Right Hand (D) |
| 38 | 411555M1 | 1 | Cage | (D) |
| 39 | 413569M1 | 1 | Cage | (A) |
| 40 | 339003X1 | 1 | Greaser | (A) |
| 41 | 413567M91 | 1 | Bearing Carrier | Left Hand (A) |
| 42 | 411673M91 | 1 | Clutch | |
| 43 | 413899M91 | 1 | Pulley | |
| 44 | 413830M1 | 2 | Lining | |
| 45 | 390928X1 | 8 | Rivet | |
| 46 | 413831M1 | 1 | Disc | |
| 47 | 413832M2 | 1 | Bolt | |
| 48 | 1706005M1 | 3 | Spring | |
| | 411673M91 | | Clutch | |
| 49 | 413834M1 | 3 | Bolt | |
| 50 | 339682X1 | 3 | Nut Metric | |
| 51 | 413835M1 | 1 | Disc | |
| 52 | 339080X1 | 1 | Roll Pin | |
| 53 | 390594X1 | 1 | Bolt Metric | |
| 54 | 339169X1 | 1 | Nut Metric | |
| 55 | 413836M1 | 1 | Wire | |
| 56 | 339574X1 | 1 | Washer Metric | |
| 57 | 391391X1 | 1 | Washer Metric | |

FRONT AUGER

| Item | Part Number | Qty | Description | Comments |
|------|-------------|-----|--------------|------------------|
| 58 | 411854M1 | 1 | Shaft | (B) |
| 59 | 411858M1 | 1 | Crank | (B) |
| 60 | 339783X1 | 4 | Pin | (B) |
| 61 | 415303M91 | 1 | Flange | (B) |
| 62 | 339170X1 | 9 | Screw | (B) |
| 63 | 339374X1 | 9 | Lock Washer | (B) |
| 64 | 339169X1 | 2 | Nut Metric | (B) |
| 65 | 412243M1 | 2 | Bearing | (B) |
| 66 | 412245M1 | 2 | Ring | (B) |
| 67 | 411745M1 | 2 | Ring | (B) |
| 68 | 413552M91 | 8 | Finger | (B) |
| 69 | 411860M1 | 1 | Housing | (B) |
| 70 | 412260M1 | 1 | Bearing Assy | (B) |
| 71 | 411861M91 | 1 | Ring | Left Hand (B) |
| 72 | 412260M1 | 1 | Bearing Assy | (B) |
| 73 | 412315M1 | 1 | Ring | (B) |
| 74 | 412261M1 | 1 | Ring | (B) (A) |

NON-SEALED BEARINGS
(B)
SEALED BEARINGS
(C)
Up to Serial or Engine Number 1612
(D)
From Serial or Engine Number 1613

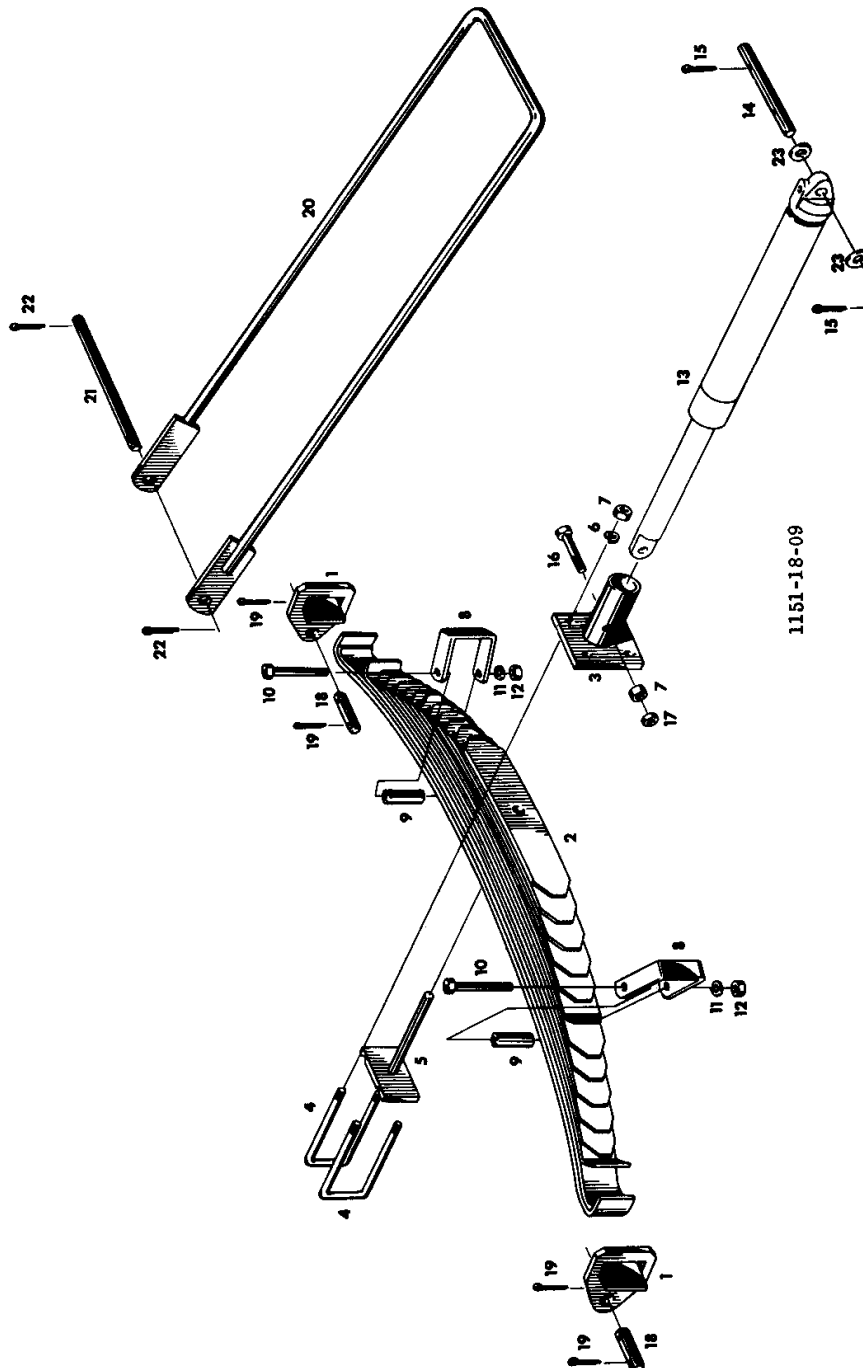
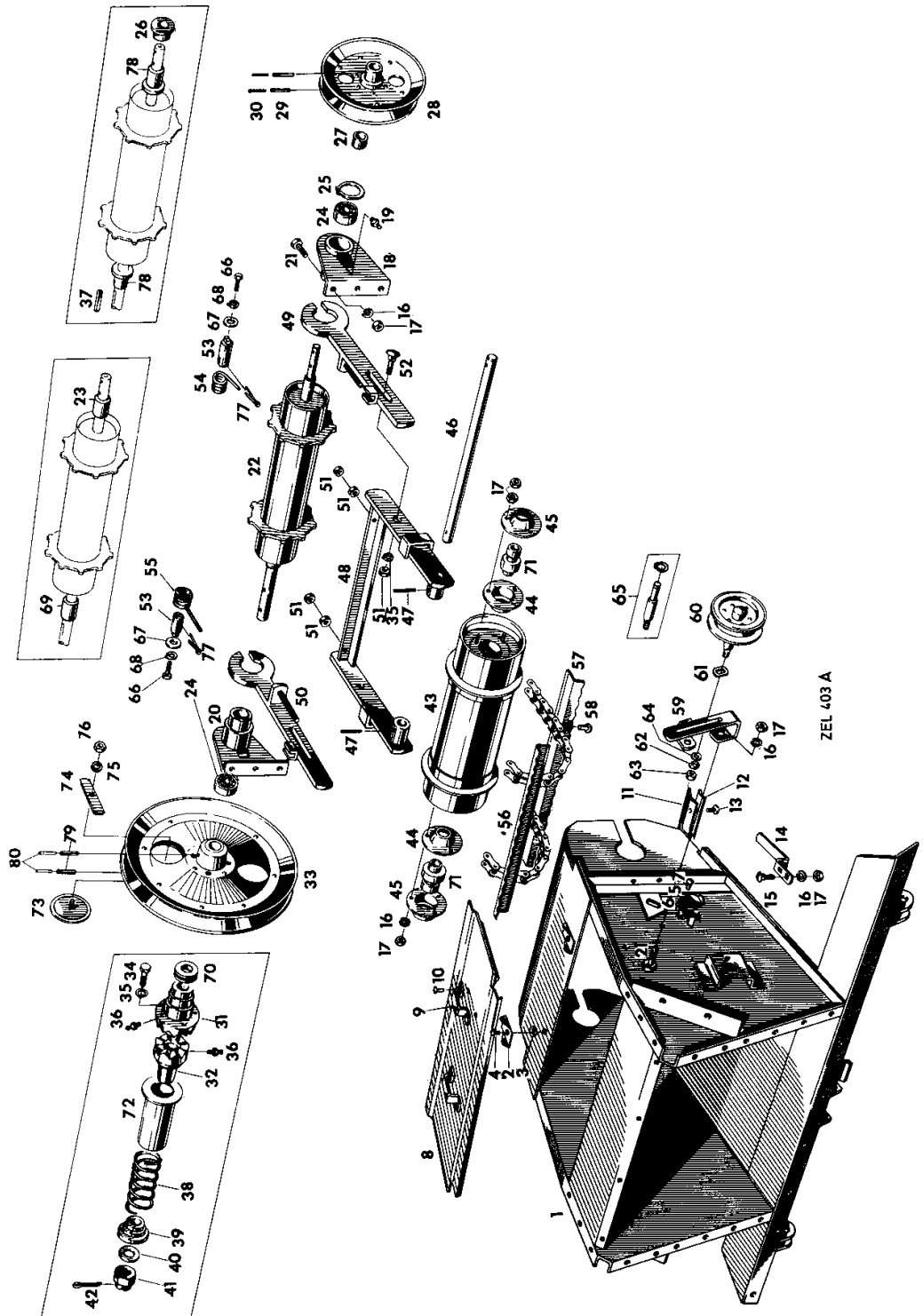


TABLE LIFT

| Item | Part Number | Qty | Description |
|-------------|--------------------|------------|--------------------|
| 1 | 412478M91 | 2 | Bearer |
| | 411158M91 | 1 | Spring |
| 2 | 411159M1 | 1 | Knife |
| 3 | 411160M91 | 1 | Bearer |
| 4 | 411164M1 | 2 | Bail |
| 5 | 411165M91 | 1 | Guide |
| 6 | 339369X1 | 4 | Lock Washer |
| 7 | 339054X1 | 5 | Nut Metric |
| 8 | 411164M1 | 2 | Bail |
| 9 | 1706437M1 | 2 | Bush |
| 10 | 339891X1 | 2 | Screw Metric |
| 11 | 339374X1 | 2 | Lock Washer |
| 12 | 339169X1 | 2 | Nut Metric |
| 13 | | 1 | Ram |
| 14 | 412996M1 | 1 | Clevis Pin |
| 15 | 339038X1 | 2 | Pin |
| 16 | 339484X1 | 1 | Bolt Metric |
| 17 | 339186X1 | 1 | Nut Metric |
| 18 | 412483M1 | 2 | Bolt |
| 19 | 339133X1 | 4 | Pin |
| 20 | 411268M91 | 1 | Bail |
| 21 | 412995M1 | 2 | Clevis Pin |
| 22 | 339058X1 | 2 | Pin |
| 23 | 339914X1 | 2 | Washer Metric |



**MASSEY FERGUSON
MF 31 COMBINE - 415718**

415718

FEEDER ELEVATOR WITH HOUSING

18-12

| Item | Part Number | Qty | Description | Comments |
|------|-------------|-----|-----------------|---------------------------------|
| 1 | 410886M92 | 1 | Boot | |
| 2 | 320719M2 | 2 | Tie | |
| 3 | 390971X1 | 2 | Washer Metric | |
| 4 | 339082X1 | 2 | Rivet | |
| 5 | 401550M1 | 2 | Door | |
| 6 | 390971X1 | 2 | Washer Metric | |
| 7 | 339212X1 | 2 | Rivet | |
| 8 | 410898M91 | 1 | Door | |
| 9 | 320090M2 | 2 | Handle | |
| 10 | 339082X1 | 4 | Rivet | |
| 11 | 320487M2 | 1 | Plate | |
| 12 | 320489M2 | 1 | Support | |
| 13 | 339109X1 | 11 | Rivet | |
| 14 | 412217M1 | 2 | Guide | |
| 15 | 339170X1 | 4 | Screw | |
| 16 | 339374X1 | 12 | Lock Washer | |
| 17 | 339169X1 | 24 | Nut Metric | |
| 18 | 410900M91 | 1 | Bearing | (C) Left Hand |
| | 414713M91 | 1 | Bracket | (D, E) Left Hand |
| | 416508M91 | 1 | Bearing Carrier | (F) Left Hand |
| 19 | 339004X1 | 1 | Greaser | (C) |
| 20 | 410902M91 | 1 | Bearing | (E) Right Hand |
| | 416510M91 | 1 | Bearing Carrier | (F) Right Hand |
| 21 | 339123X1 | 8 | Screw Metric | |
| 22 | 414718M91 | 1 | Drum | (C) |
| | 414708M91 | 1 | Drum | (D, E) |
| | 416512M91 | 1 | Drum | (F) |
| 23 | 410908M1 | 1 | Bush | (C) |
| 24 | 1440491X1 | 2 | Bearing Ball | (C) |
| | 339581X1 | 2 | Bearing Ball | (D) |
| 25 | 339126X1 | 1 | Circlip | |
| 26 | 320069M2 | 1 | Spacer | (E) |
| 27 | 410909M1 | 1 | Bush | (E) |
| | 1706435M1 | 1 | Spacer | (F) |
| 28 | 410910M91 | 1 | Pulley | |
| 29 | 339192X1 | 2 | Pin | |
| 30 | 390533X1 | 2 | Pin | |
| 31 | 410911M1 | 1 | Coupler | (E) Number of teeth/spines 8 |
| 32 | 410912M2 | 1 | Coupler | (E) Number of teeth/spines 8 |
| 33 | 410913M92 | 1 | Pulley | |
| | 416515M91 | 1 | Pulley | (F) |
| 34 | 339451X1 | 4 | Screw Metric | |
| 35 | 339376X1 | 6 | Lock Washer | |
| 36 | 390843X1 | 2 | Nipple | (E) |
| 37 | 410916M1 | 1 | Key | (E) |
| 38 | 1706014M1 | 1 | Spring | (E) |
| 39 | 410918M1 | 1 | Washer | (E) |
| 40 | 339028X1 | 1 | Washer | (E) |
| 41 | 339046X1 | 1 | Nut Metric | (E) |
| 42 | 339038X1 | 1 | Pin | (E) |
| 43 | 410920M93 | 1 | Drum | |
| 44 | 412244M1 | 2 | Ring | (A) |
| 45 | 412245M1 | 2 | Ring | |
| 46 | 410922M1 | 1 | Clevis Pin | |
| 47 | 339541X1 | 2 | Peg | |
| 48 | 410923M91 | 1 | Bearer | |
| 49 | 410927M93 | 1 | Support | Left Hand |
| 50 | 410932M93 | 1 | Support | Right Hand |
| 51 | 339402X1 | 6 | Nut Metric | |
| 52 | 390809X1 | 2 | Bolt Metric | |
| 53 | 410933M2 | 2 | Guide | |
| 54 | 412255M1 | 1 | Spring | Left Hand |
| 55 | 412256M1 | 1 | Spring | Right Hand |

**MASSEY FERGUSON
MF 31 COMBINE - 415718**

415718

FEEDER ELEVATOR WITH HOUSING

18-12

| Item | Part Number | Qty | Description | Comments |
|------|-------------|-----|----------------|------------------------------------|
| 56 | 410934M91 | 1 | Chain | |
| 57 | 410935M1 | 8 | Strap | |
| 58 | 339086X1 | 32 | Rivet | |
| 59 | 410937M91 | 1 | Bracket | |
| | 416579M91 | 1 | Pulley | |
| 60 | 416580M91 | 1 | Pulley | |
| 61 | 416584M1 | 1 | Washer | |
| 62 | 339380X1 | 1 | Washer | |
| 63 | 339070X1 | 1 | Nut | |
| 64 | 339072X1 | 1 | Washer | |
| 65 | 412446M1 | 1 | Pin | (G) |
| | 391062X1 | 2 | Segment | (G) |
| 66 | 339299X1 | 2 | Screw Metric | |
| 67 | 391187X1 | 2 | Washer | |
| 68 | 339369X1 | 2 | Lock Washer | |
| 69 | 410940M1 | 1 | Bush | (C) |
| 70 | 390803X1 | 1 | Bearing Thrust | (E) |
| 71 | 412243M1 | 2 | Bearing | |
| 72 | 411511M91 | 1 | Bush | (B, E) |
| 73 | 411509M91 | 2 | Disc | (B) |
| 74 | 411508M1 | 2 | Retainer | (B) |
| 75 | 339375X1 | 2 | Lock Washer | (B) |
| 76 | 339030X1 | 2 | Nut Metric | (B) |
| 77 | 339531X1 | 2 | Pin | |
| 78 | 414715M1 | 2 | Bush | (D, E) |
| 79 | 339192X1 | 2 | Pin | (F) |
| 80 | 390533X1 | 2 | Pin | (F) |
| | | | | (A) |
| | | | | Up to Serial or Engine Number 2259 |
| | | | | (B) |
| | | | | SPECIAL EQUIPMENT FOR U.K. |
| | | | | (C) |
| | | | | Up to Serial or Engine Number 4634 |
| | | | | (D) |
| | | | | From Serial or Engine Number 4635 |
| | | | | (E) |
| | | | | Up to Serial or Engine Number 6264 |
| | | | | (F) |
| | | | | From Serial or Engine Number 6265 |
| | | | | (G) |
| | | | | Up to Serial or Engine Number 6914 |

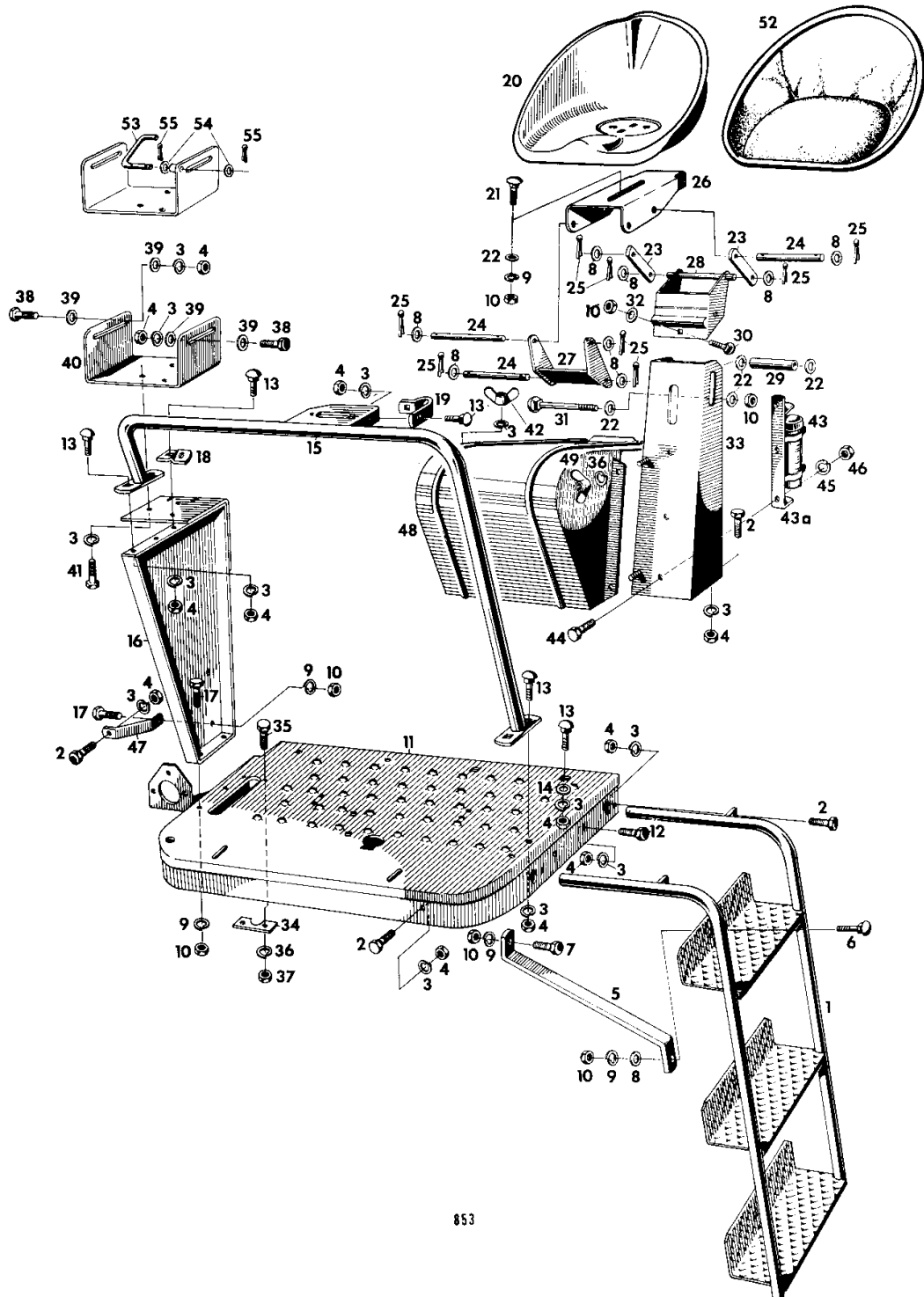
MF 31 COMBINE - 415718

19-1

FAHRERSTAND

OPERATORS PLATFORM

PLATE-FORME DE TRAVAIL



Mähdrescher MF 31

415 718 M2 (Ausgabe 1) 12/70

**MASSEY FERGUSON
MF 31 COMBINE - 415718**

415718

19-1

OPERATORS PLATFORM

| Item | Part Number | Qty | Description | Comments |
|------|-------------|-----|---------------|----------|
| 1 | 411096M93 | 1 | Ladder | (A, D) |
| | 416317M91 | 1 | Ladder | (A, E) |
| | 414507M91 | 1 | Ladder | (B) |
| | 411471M92 | 1 | Ladder | (B, F) |
| 2 | 339123X1 | 12 | Screw Metric | |
| 3 | 339374X1 | 29 | Lock Washer | |
| 4 | 339169X1 | 24 | Nut Metric | |
| 5 | 411101M2 | 1 | Brace | (A, D) |
| | 416319M1 | 1 | Brace | (A, E) |
| | 411474M1 | 1 | Brace | (B, F) |
| | 414509M1 | 1 | Brace | (B) |
| 6 | 390397X1 | 1 | Bolt | |
| 7 | 339451X1 | 1 | Screw Metric | |
| 8 | 391381X1 | 9 | Washer Metric | |
| 9 | 339376X1 | 6 | Lock Washer | |
| 10 | 339402X1 | 8 | Nut Metric | |
| 11 | 411104M93 | 1 | Platform | |
| 12 | 339124X1 | 2 | Screw Metric | |
| 13 | 339170X1 | 8 | Screw | |
| 14 | 390216X1 | 2 | Washer Metric | |
| 15 | 411109M91 | 1 | Rail | |
| 16 | 411115M92 | 1 | Support | |
| 17 | 339081X1 | 3 | Screw Metric | |
| 18 | 411118M1 | 1 | Bracket | |
| 19 | 411119M1 | 1 | Clip | |
| 20 | 401966M2 | 1 | Seat | (G) |
| | 417626M1 | 1 | Seat | (H) |
| 21 | 339401X1 | 2 | Screw Metric | (G) |
| | 390397X1 | 2 | Bolt | (H) |
| 22 | 391396X1 | 6 | Washer Metric | |
| 23 | 411500M1 | 2 | Lever | (G) |
| | 401958M1 | 2 | Lever | (H) |
| 24 | 339980X1 | 3 | Pin | |
| 25 | 391401X1 | 8 | Pin | |
| 26 | 411120M1 | 1 | Rest | |
| | 417628M1 | 1 | Rest | (H) |
| 27 | 401953M91 | 1 | Lever | |
| 28 | 401950M91 | 1 | Support | |
| 29 | 405400M1 | 1 | Bush | |
| 30 | 339172X1 | 1 | Bolt Metric | |
| 31 | 339981X1 | 1 | Bolt Metric | |
| 32 | 339794X1 | 1 | Washer Metric | |
| 33 | 410718M91 | 1 | Pedestal | |
| 34 | 411135M1 | 1 | Plate | |
| 35 | 339560X1 | 2 | Screw Metric | |
| 36 | 339375X1 | 4 | Lock Washer | |
| 37 | 339030X1 | 2 | Nut Metric | |
| 38 | 339337X1 | 2 | Screw Metric | |
| 39 | 339056X1 | 4 | Washer Metric | |
| 40 | 411634M91 | 1 | Support | |
| 41 | 339124X1 | 3 | Screw Metric | |
| 42 | 339106X1 | 1 | Nut Metric | |
| 43 | 416390M1 | 1 | Extinguisher | |
| 43A | 1701133M1 | 1 | Suspension | |
| 44 | 339560X1 | 3 | Screw Metric | |
| 45 | 339375X1 | 3 | Lock Washer | |
| 46 | 339030X1 | 3 | Nut Metric | |
| 47 | 411286M2 | 1 | Reinforcement | |
| 48 | 411121M91 | 1 | Cowl | |
| 49 | 339722X1 | 2 | Nut | |
| 50 | 339247X1 | 1 | Bolt | |
| 52 | 411554M1 | 1 | Bearing | (G) |
| | 417629M1 | 1 | Cushion | (H) |
| 53 | 411637M1 | 1 | Device | (C) |
| 54 | 339817X1 | 2 | Washer Metric | |
| 55 | 390511X1 | 2 | Pin | |

(A)
WITH TYRES 9-24 AND 10-24

(B)
WITH TYRES 14, 5-20

| Item | Part Number | Qty | Description | Comments |
|------|-------------|-----|-------------|---|
| | | | | (C) From Serial or Engine Number 1789 |
| | | | | (D) Up to Serial or Engine Number 6264 |
| | | | | (E) From Serial or Engine Number 6265 |
| | | | | (F) NO. 1635 - NO. 3679 |
| | | | | (G) Up to Serial or Engine Number 7407 |
| | | | | (H) From Serial or Engine Number 7408 |

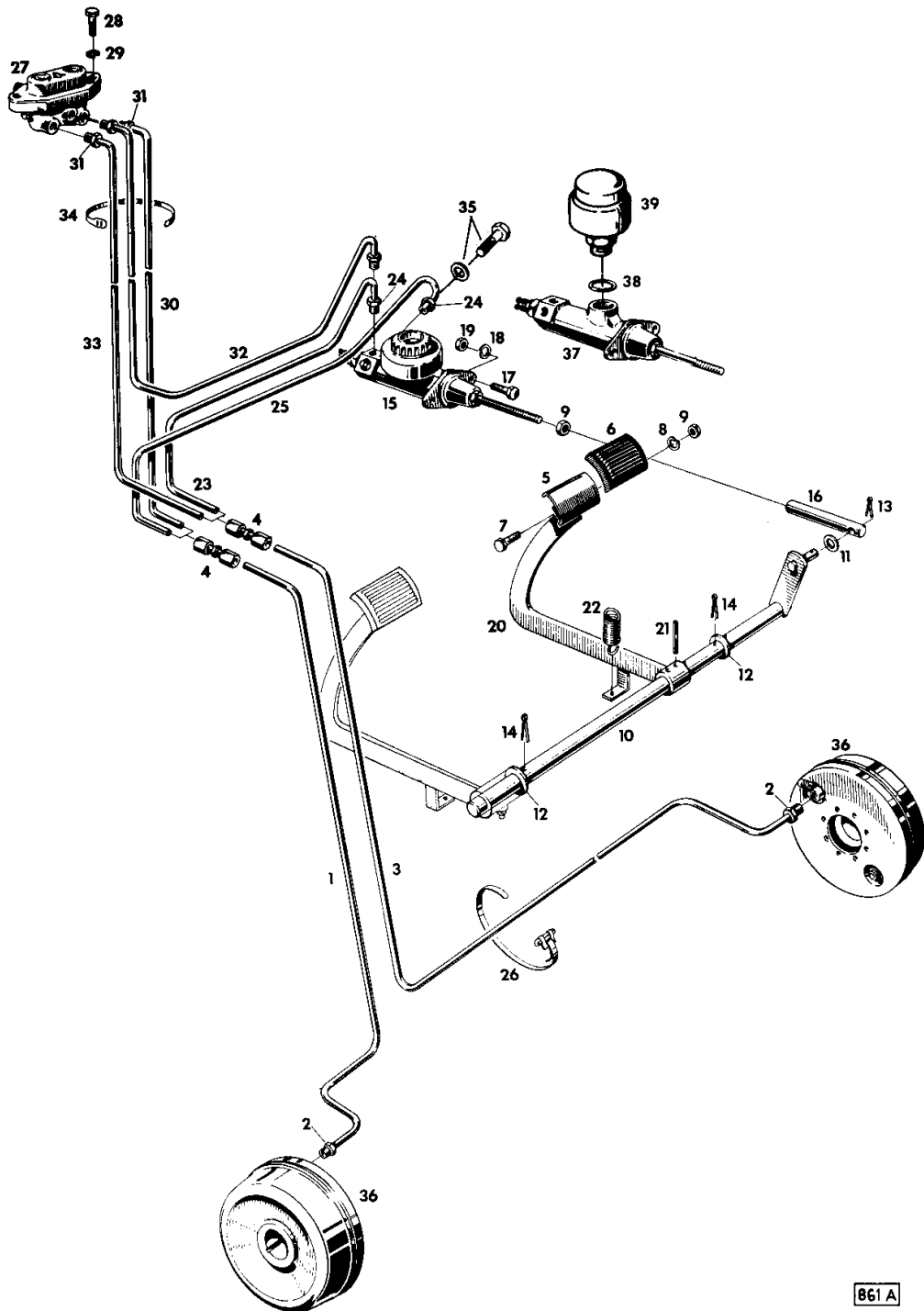
MF 31 COMBINE - 415718

19-2

FUSSBREMSE

FOOTBRAKE

PEDALES DE FREIN



Mährescher MF 31

415 718 M2 (Ausgabe 1) 12/70

FOOTBRAKE

| Item | Part Number | Qty | Description | Comments |
|------|-------------|-----|---------------|---|
| 1 | 411102M1 | 1 | Tube | Left Hand |
| 2 | 390835X1 | 2 | Bolt | |
| 3 | 411103M2 | 1 | Tube | Right Hand |
| 4 | 390813X1 | 2 | Connection | |
| 5 | 411113M91 | 1 | Pedal | |
| 6 | 401741M1 | 1 | Cap | |
| 7 | 339401X1 | 1 | Screw Metric | |
| 8 | 339376X1 | 3 | Lock Washer | |
| 9 | 339402X1 | 4 | Nut Metric | |
| 10 | 411137M92 | 1 | Shaft | |
| 11 | 339424X1 | 1 | Washer | |
| 12 | 339574X1 | 2 | Washer Metric | |
| 13 | 390446X1 | 1 | Pin | |
| 14 | 390448X1 | 2 | Pin | |
| 15 | 412705M2 | 1 | Cylinder | See Page - Reference Number 19-4 |
| | 1700890M1 | 1 | Switch | (F) |
| 16 | 411141M1 | 1 | Tappet | |
| 17 | 339123X1 | 1 | Screw Metric | |
| 18 | 339374X1 | 4 | Lock Washer | |
| 19 | 339169X1 | 4 | Nut Metric | |
| 20 | 411147M91 | 1 | Lever | |
| 21 | 339071X1 | 2 | Pin | |
| 22 | 1706114M1 | 1 | Spring | |
| 23 | 411156M1 | 1 | Tube | (D) Right Hand |
| 24 | 390835X1 | 2 | Bolt | (D) |
| 25 | 411155M1 | 1 | Tube | (D) Left Hand |
| 26 | 410403M1 | 4 | Band | |
| | 411280M1 | 4 | Band | |
| 27 | 412720M1 | 1 | Valve | (E) |
| 28 | 339124X1 | 2 | Screw Metric | (E) |
| 29 | 339374X1 | 2 | Lock Washer | (E) |
| 30 | 411153M1 | 1 | Tube | (E) Left Hand |
| 31 | 390835X1 | 2 | Bolt | (E) |
| 32 | 411154M1 | 1 | Tube | (E) |
| 33 | 411155M1 | 1 | Tube | (E) Right Hand |
| 34 | 321591M1 | 2 | Band | (E) |
| 35 | 1440994X1 | 1 | Plug | (E) |
| | 1440993X1 | 1 | Seal | (E) |
| 36 | 414342M1 | 1 | Brake | (B) See Page - Reference Number 19-2A |
| | 411202M1 | 1 | Brake | (A) See Page - Reference Number 19-2A |
| 37 | 413263M1 | 1 | Cylinder | (C) See Page - Reference Number 19-2B |
| 38 | 390855X1 | 1 | Ring | (C) |
| 39 | 411420M1 | 1 | Reservoir | (C) (A) INTERCHANGEABLE WITH 414342M1, FOR REPLACE USE THE SAME MAKE (B) INTERCHANGEABLE WITH 411202M1, FOR REPLACE USE THE SAME MAKE (C) SPECIAL EQUIPMENT FOR FRANCE (D) NOT USED IF SINGLE WHEEL BRAKE IS FITTED (E) SPECIAL EQUIPMENT - SINGLE WHEEL BRAKE (F) FOR AUSTRIA ONLY |

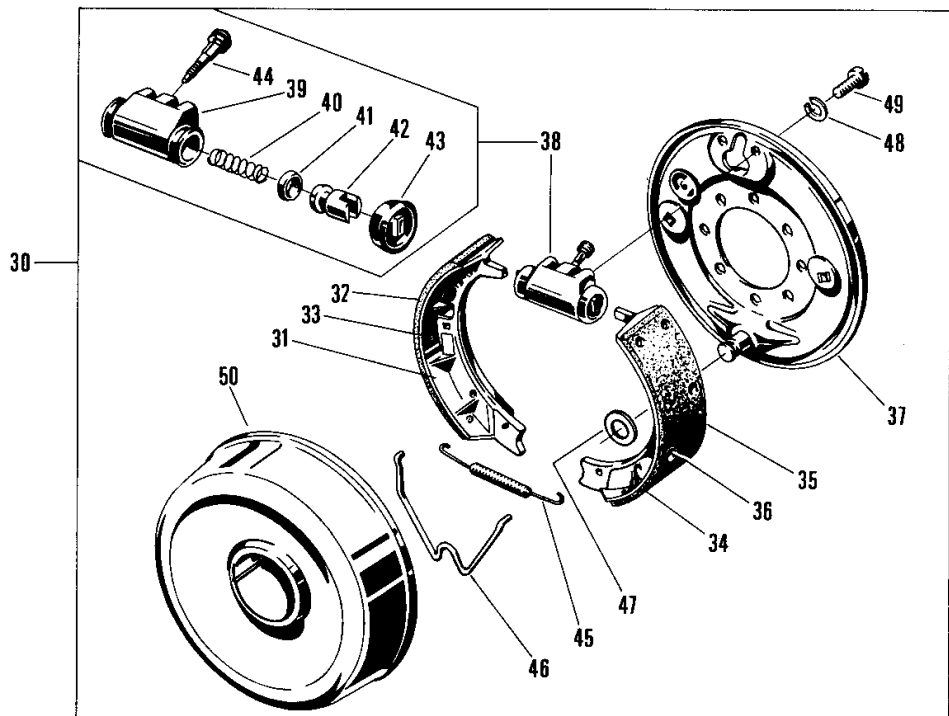
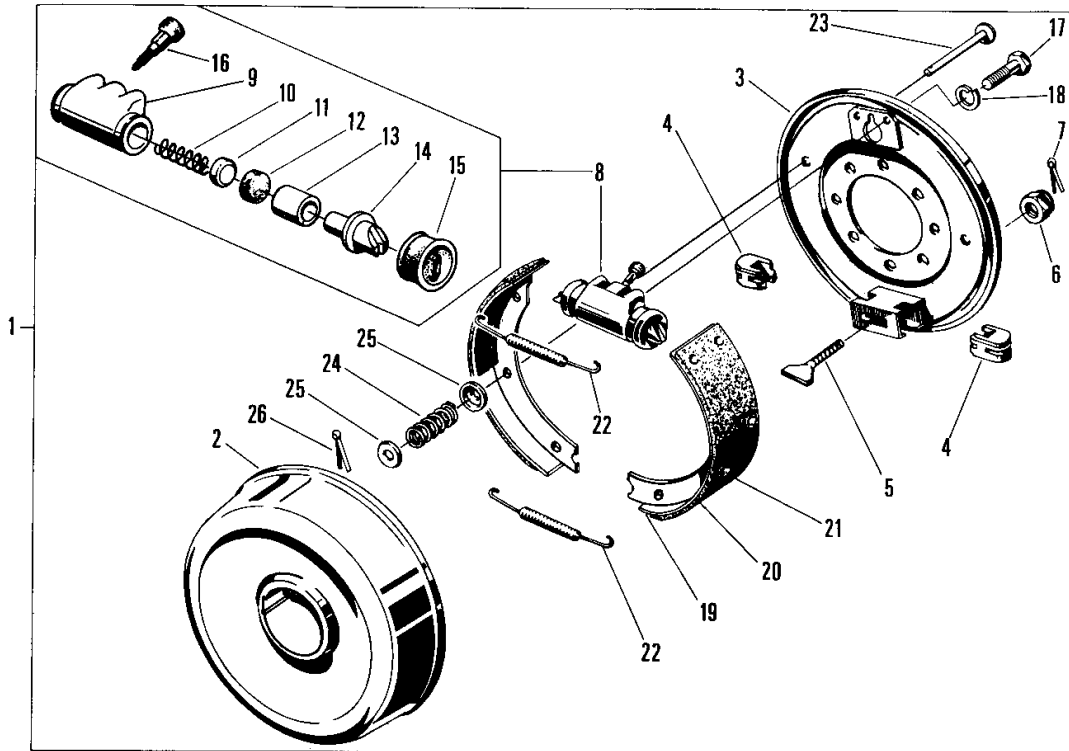
MF 31 COMBINE - 415718

19-3

TROMMELBREMSE

DRUM BRAKE

FREIN TAMBOUR



863

Mähdrösch MF 31

415 718 M2 (Ausgabe 1) 12/70

**MASSEY FERGUSON
MF 31 COMBINE - 415718**

415718

19-3

DRUM BRAKE - 414342M1 KNOTT

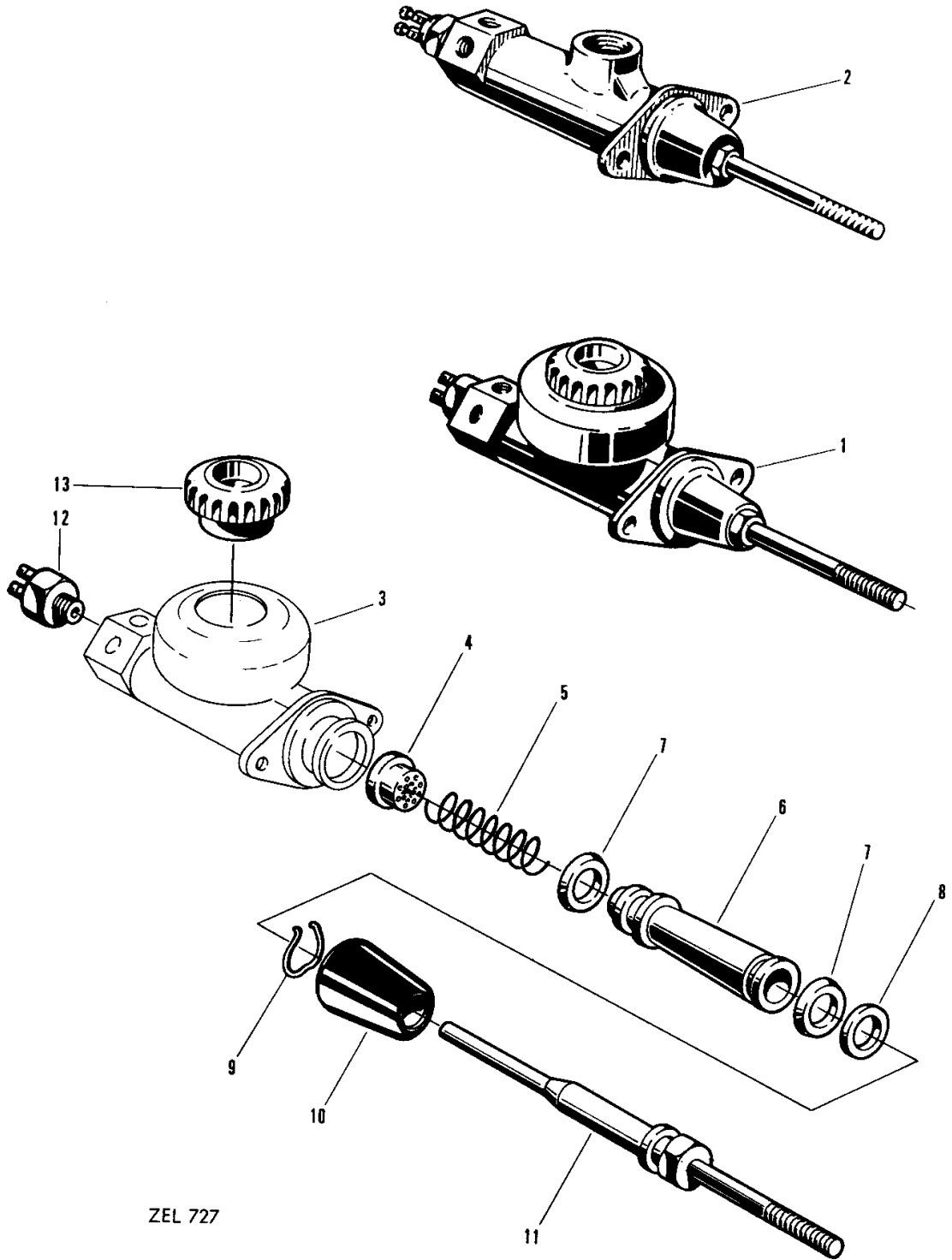
| Item | Part Number | Qty | Description | Comments |
|------|-------------|-----|--------------|--------------------------------|
| | | | | 414342M1 KNOTT |
| 1 | 414342M1 | 2 | Brake | |
| 2 | 1701022M1 | 1 | Drum | |
| 3 | 1701024M91 | 1 | Flange | |
| 4 | 1701028M1 | 2 | Cleat | |
| 5 | 1701029M1 | 1 | Spanner | |
| 6 | 390881X1 | 1 | Nut Metric | |
| 7 | 391401X1 | 1 | Pin | |
| 8 | 1701030M1 | 1 | Cylinder | |
| 9 | | 1 | Cylinder | Not serviced, order 1701030M1 |
| 10 | 1700871M1 | 1 | Spring | |
| 11 | 1701040M1 | 2 | Seat | |
| 12 | 1701041M1 | 2 | Ring | |
| 13 | 1701042M1 | 2 | Piston | |
| 14 | 1701043M1 | 2 | Clevis Pin | |
| 15 | 1701044M1 | 2 | Cap | |
| 16 | 1700875M1 | 1 | Breather | |
| 17 | 339666X1 | 2 | Screw Metric | |
| 18 | 391130X1 | 2 | Washer | |
| 19 | 1701031M91 | 2 | Shoe | |
| 20 | 1701033M1 | 2 | Facing | |
| 21 | 391131X1 | 14 | Rivet | |
| 22 | 1701034M1 | 2 | Spring | |
| 23 | 1701035M1 | 2 | Pin | |
| 24 | 1701036M1 | 2 | Spring | |
| 25 | 1701037M1 | 4 | Cover | |
| 26 | 391132X1 | 2 | Pin | |
| | | | | 411202M1 PERROT |
| 30 | 411202M1 | 2 | Brake | |
| 31 | 1700865M91 | 1 | Shoe | |
| 32 | 1700866M1 | 1 | Lining | |
| 33 | 390904X1 | 14 | Rivet | |
| 34 | 1700867M91 | 1 | Shoe | |
| 35 | 1700866M1 | 1 | Lining | |
| 36 | 390904X1 | 14 | Rivet | |
| 37 | 1700868M1 | 1 | Flange | |
| 38 | 1700869M91 | 1 | Cylinder | |
| 39 | | 1 | Housing | Not serviced, order 1700869M91 |
| 40 | 1700871M1 | 1 | Spring | |
| 41 | 1700872M1 | 2 | Ring | |
| 42 | 1700873M1 | 2 | Piston | |
| 43 | 1700874M1 | 2 | Cap | |
| 44 | 1700875M1 | 1 | Breather | |
| 45 | 1700876M1 | 1 | Spring | |
| 46 | 1700877M1 | 1 | Spring | |
| 47 | 1700878M1 | 1 | Washer | |
| 48 | 390902X1 | 2 | Washer | |
| 49 | 390903X1 | 2 | Screw Metric | |

19-4

HAUPTBREMSZYLINDER

MASTER CYLINDER

CYLINDRE PRINCIPAL



ZEL 727

Möhdrescher MF 31

415 718 M2 (Ausgabe 1) 12/70

**MASSEY FERGUSON
MF 31 COMBINE - 415718**

415718

19-4

MASTER CYLINDER - 412705M2

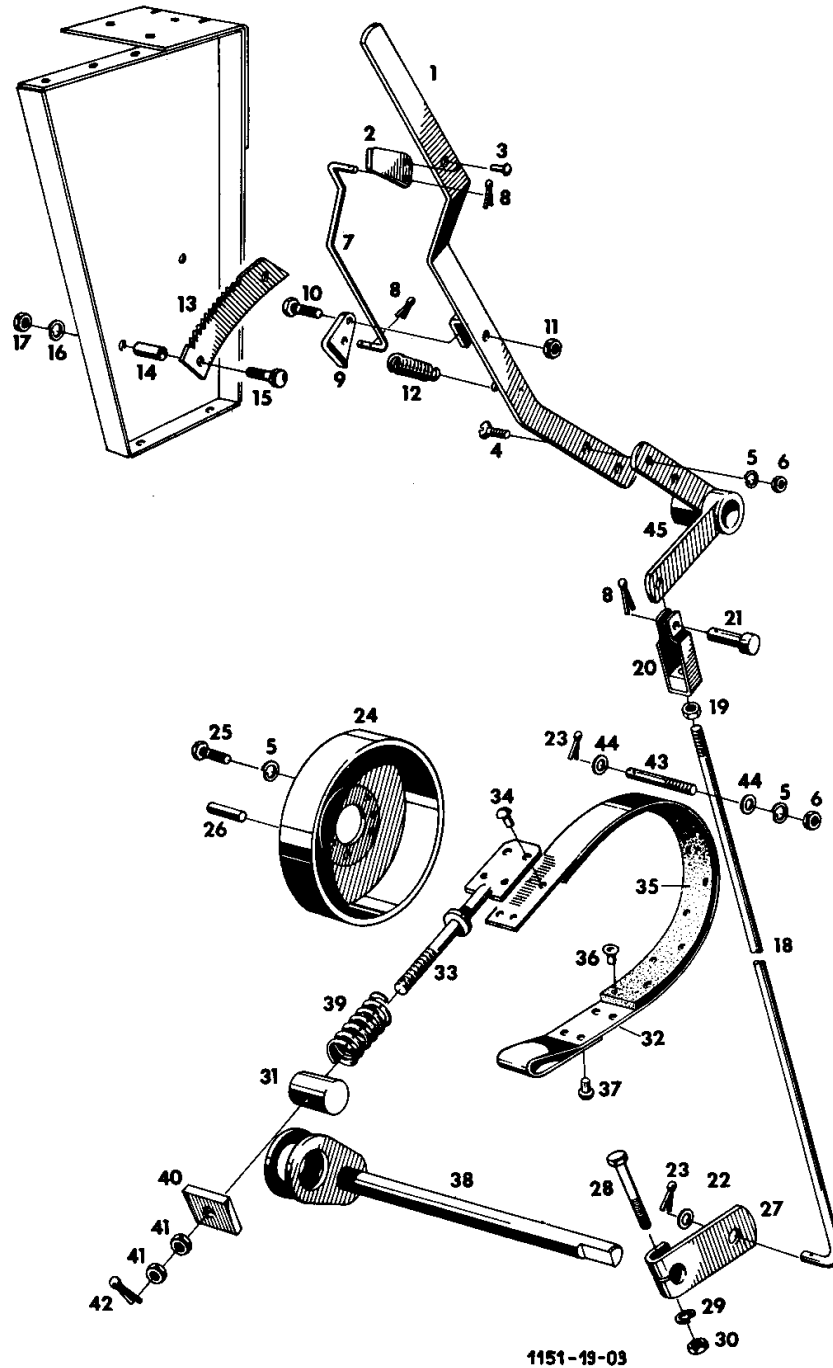
| Item | Part Number | Qty | Description | Comments |
|------|-------------|-----|-------------|------------------------------|
| | | | | 412705M2 |
| 1 | 412705M2 | 1 | Cylinder | |
| 3 | | 1 | Housing | Not serviced, order 412705M2 |
| 4 | 1700882M1 | 1 | Valve | |
| 5 | 1700883M1 | 1 | Spring | |
| 6 | 1700884M1 | 1 | Piston | |
| 7 | 1700885M1 | 2 | Ring | |
| 8 | 1700886M1 | 1 | Washer | |
| 9 | 1700887M1 | 1 | Circlip | |
| 10 | 1700888M1 | 1 | Boot | |
| 11 | 1700889M1 | 1 | Stem | |
| 12 | 1700891M1 | 2 | Plug | |
| 13 | 1700895M1 | 1 | Cap | |
| | | | | 413263M2 |
| 2 | 413263M2 | 1 | Cylinder | |
| 3 | | 1 | Housing | Not serviced, order 413263M2 |
| 4 | 1700882M1 | 1 | Valve | |
| 5 | 1700883M1 | 1 | Spring | |
| 6 | 1700884M1 | 1 | Piston | |
| 7 | 1700885M1 | 2 | Ring | |
| 8 | 1700886M1 | 1 | Washer | |
| 9 | 1700887M1 | 1 | Circlip | |
| 10 | 1700888M1 | 1 | Boot | |
| 11 | 1700889M1 | 1 | Stem | |
| 12 | 1700891M1 | 2 | Plug | |

19-5

HANDBREMSE

HANDBRAKE

FREIN A MAIN



Mähdrescher MF 31

415 718 M2 (Ausgabe 1) 12/70

HANDBRAKE

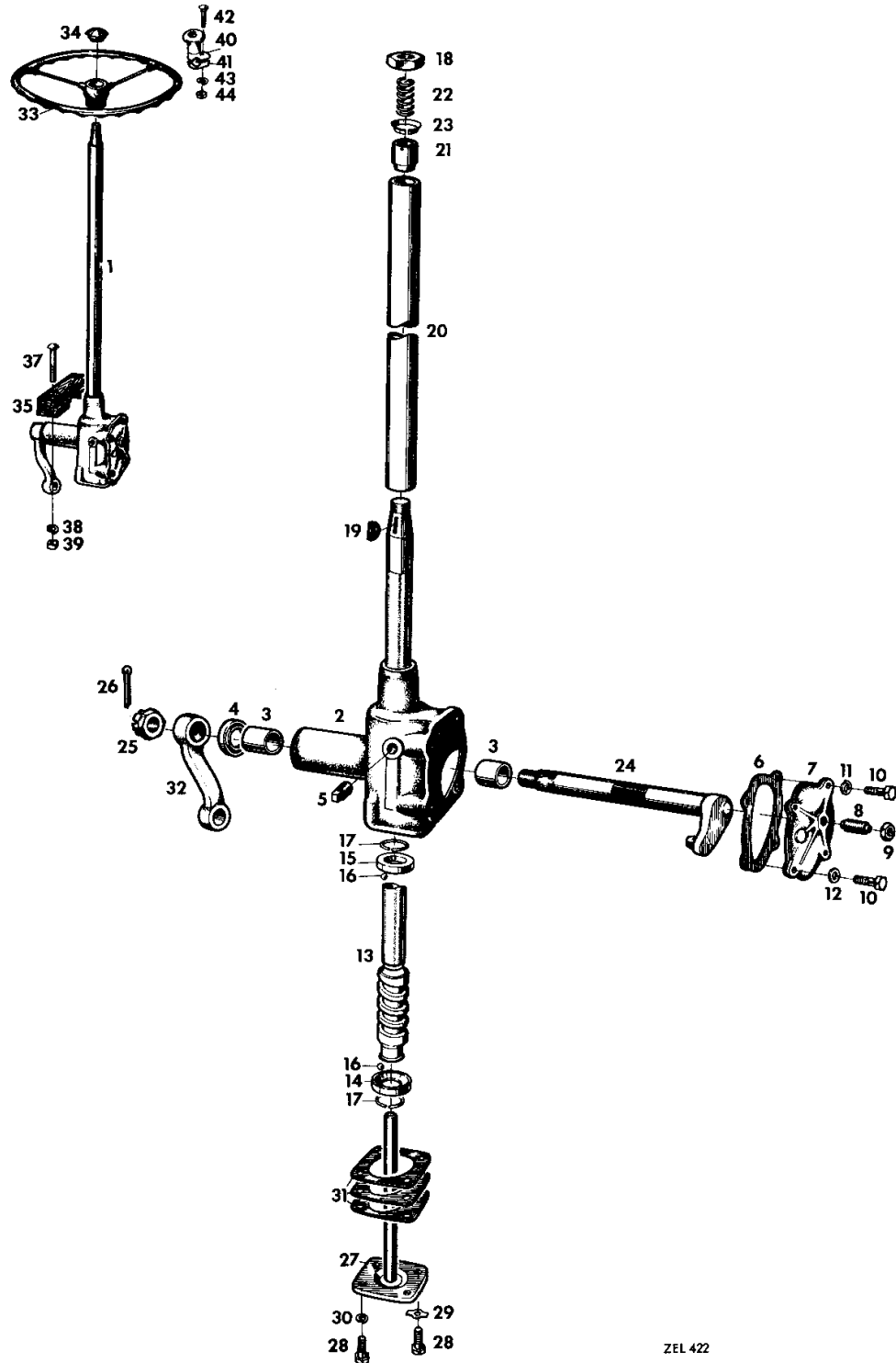
| Item | Part Number | Qty | Description |
|-------------|--------------------|------------|--------------------|
| 1 | 410451M91 | 1 | Lever |
| 2 | 410014M1 | 1 | Handle |
| 3 | 339045X1 | 1 | Rivet |
| 4 | 390766X1 | 2 | Bolt |
| 5 | 339374X1 | 9 | Lock Washer |
| 6 | 339169X1 | 4 | Nut Metric |
| 7 | 410454M1 | 1 | Rod |
| 8 | 339087X1 | 4 | Pin |
| 9 | 410018M1 | 1 | Latch |
| 10 | 339804X1 | 1 | Screw Metric |
| 11 | 339030X1 | 1 | Nut Metric |
| 12 | 1706115M1 | 1 | Spring |
| 13 | 410455M1 | 1 | Sector |
| 14 | 1706397M1 | 2 | Bush |
| 15 | 339018X1 | 2 | Bolt Metric |
| 16 | 339376X1 | 2 | Lock Washer |
| 17 | 339402X1 | 2 | Nut Metric |
| 18 | 410457M91 | 1 | Rod |
| 19 | 339169X1 | 1 | Nut Metric |
| 20 | 390552X1 | 1 | Yoke |
| 21 | 339610X1 | 1 | Pin |
| 22 | 339024X1 | 1 | Washer Metric |
| 23 | 391401X1 | 3 | Pin |
| 24 | 320144M2 | 1 | Drum |
| 25 | 339123X1 | 4 | Screw Metric |
| 26 | 339329X1 | 2 | Dowel |
| 27 | 411307M1 | 1 | Lever |
| 28 | 339019X1 | 1 | Bolt Metric |
| 29 | 339025X1 | 1 | Washer Metric |
| 30 | 339402X1 | 1 | Nut Metric |
| 31 | 410570M1 | 1 | Clevis Pin |
| 32 | 410461M91 | 1 | Band |
| 33 | 321780M91 | 1 | Stem |
| 34 | 339109X1 | 4 | Rivet |
| 35 | 320493M3 | 1 | Lining |
| 36 | 339101X1 | 12 | Rivet |
| 37 | 391486X1 | 4 | Rivet |
| 38 | 410459M91 | 1 | Lever |
| 39 | 1706033M1 | 1 | Drum |
| 40 | 321843M1 | 1 | Shim |
| 41 | 339252X1 | 2 | Nut Metric |
| 42 | 391402X1 | 1 | Pin |
| 43 | 1700097M1 | 2 | Guide |
| 44 | 1700098M1 | 4 | Washer |
| 45 | 411143M91 | 1 | Bearer |

19-6

LENKUNG

STEERING GEAR

DIRECTION



ZEL 422

Mähdrescher MF 31

415 718 M2 (Ausgabe 1) 12/70

STEERING GEAR

| Item | Part Number | Qty | Description | Comments |
|------|-------------|-----|---------------|-----------------------------------|
| 1 | 322293M91 | 1 | Gear | |
| | 320392M1 | 1 | Housing | |
| 2 | 1700491M1 | 1 | Housing | |
| 3 | 1700482M1 | 2 | Bush | |
| 4 | 1700492M1 | 1 | Bush | |
| 5 | 1700500M1 | 1 | Plug | |
| 6 | 1700494M1 | 1 | Gasket | |
| 7 | 1717738M1 | 1 | Cover | |
| 8 | 1700498M1 | 1 | Bolt | |
| 9 | 339252X1 | 1 | Nut Metric | |
| 10 | 339761X1 | 4 | Screw Metric | |
| 11 | 339374X1 | 2 | Lock Washer | |
| 12 | 1700501M1 | 2 | Washer | |
| 13 | 1700479M1 | 1 | Spindle | |
| 14 | 1700485M1 | 1 | Bearing Assy | |
| 15 | 1700486M1 | 1 | Bearing Assy | |
| 16 | 1700807M1 | 26 | Ball | |
| 17 | 1700487M1 | 2 | Ring | |
| 18 | 339592X1 | 1 | Nut Metric | |
| 19 | 1700497M1 | 1 | Key | |
| 20 | 1700478M1 | 1 | Tubular Shaft | |
| 21 | 1700481M1 | 1 | Sleeve | |
| 22 | 1700496M1 | 1 | Spring | |
| 23 | 1700495M1 | 1 | Ring | |
| 24 | 1701476M1 | 1 | Shaft | |
| 25 | 1700503M1 | 1 | Pin | |
| 26 | 339765X1 | 1 | Pin | |
| 27 | 1700484M1 | 1 | Cover | |
| 28 | 339560X1 | 4 | Screw Metric | |
| 29 | 1700808M1 | 2 | Plate | |
| 30 | 339375X1 | 2 | Lock Washer | |
| 31 | 1700488M1 | X | Plate | |
| | 1700489M1 | X | Plate | |
| | 1700490M1 | X | Plate | |
| 32 | 320291M1 | 1 | Crank | (A) |
| | 1724585M1 | 1 | Lever | (B, D) |
| 33 | 320393M2 | 1 | Wheel | |
| 34 | 322496M1 | 1 | Button | |
| 35 | 321774M1 | 1 | Bearer | |
| 37 | 339272X1 | 2 | Bolt | |
| 38 | 339376X1 | 2 | Lock Washer | |
| 39 | 339402X1 | 2 | Nut Metric | |
| 40 | 403288M91 | 1 | Handle | (C) |
| 41 | 403293M1 | 1 | Clamp | (C) |
| 42 | 339418X1 | 2 | Bolt Metric | (C) |
| 43 | 339374X1 | 2 | Lock Washer | (C) |
| 44 | 339169X1 | 2 | Nut Metric | (C) |
| | | | | (A) |
| | | | | Up to Serial or Engine Number |
| | | | | (B) |
| | | | | From Serial or Engine Number |
| | | | | (C) |
| | | | | SPECIAL EQUIPMENT |
| | | | | (D) |
| | | | | FOR ROD, STEERING WITH BALL JOINT |

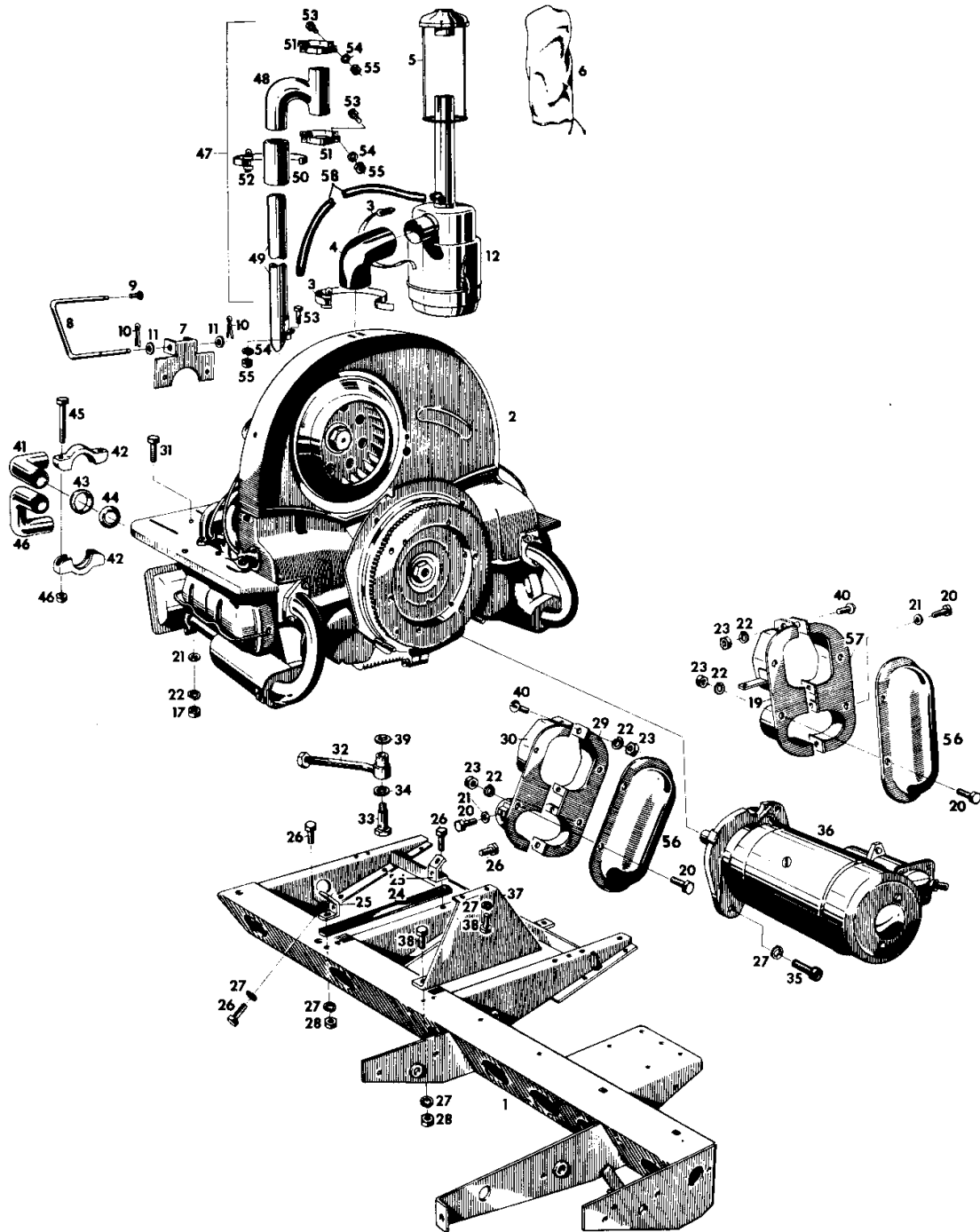
MF 31 COMBINE - 415718

20-1

VW-MOTOR 1200 ccm

VW ENGINE 1200 ccm

MOTEUR VW 1200 ccm



Mährescher MF 31

415 718 M2 (Ausgabe 1) 12/70

MASSEY FERGUSON

MF 31 COMBINE - 415718

415718

VW ENGINE 1200 CCM - 1200 CCM

20-1

| Item | Part Number | Qty | Description | Comments |
|------|-------------|-----|---------------|------------------------------------|
| | | | | 1200 CCM |
| 1 | 410985M92 | 1 | Support | |
| 2 | 411303M92 | 1 | Engine | |
| 3 | 410403M1 | 2 | Band | |
| | | 2 | Band | |
| 4 | 323888M1 | 1 | Water Hose | |
| 5 | 324246M91 | 1 | Cap | (C) |
| 6 | 321618M2 | 1 | Bag | (C) |
| | 404595M1 | 1 | Bag | (D) |
| 7 | 320682M2 | 1 | Bearer | |
| 8 | 323881M1 | 1 | Lever | |
| 9 | 339112X1 | 1 | Screw Metric | |
| 10 | 339087X1 | 2 | Pin | |
| 11 | 339056X1 | 2 | Washer Metric | |
| 12 | 414622M1 | 1 | Filter | (E) |
| | | | | See Page - Reference Number 20-4 |
| | 411562M1 | 1 | Filter | (E) |
| | | | | See Page - Reference Number 20-4 |
| 19 | 410069M91 | 1 | Plate | |
| 20 | 339230X1 | 10 | Screw Metric | |
| 21 | 390971X1 | 4 | Washer Metric | |
| 22 | 339375X1 | 18 | Lock Washer | |
| 23 | 339030X1 | 16 | Nut Metric | |
| 24 | 320632M1 | 1 | Strap | |
| 25 | 410864M1 | 2 | Angle | |
| 26 | 339451X1 | 4 | Screw Metric | |
| 27 | 339376X1 | 11 | Lock Washer | |
| 28 | 339402X1 | 5 | Nut Metric | |
| 29 | 410071M92 | 1 | Plate | |
| 30 | 410074M92 | 1 | Plate | |
| 31 | 339560X1 | 2 | Screw Metric | |
| 32 | 410093M91 | 1 | Extension | |
| 33 | 324946M1 | 1 | Screw | |
| 34 | 390591X1 | 1 | Seal | |
| 35 | 390580X1 | 2 | Screw Metric | |
| 36 | 320828M1 | 1 | Startermotor | |
| 37 | 410076M1 | 1 | Support | |
| 38 | 339081X1 | 5 | Screw Metric | |
| 39 | 390688X1 | 1 | Seal | |
| 40 | 391483X1 | 8 | Screw Metric | |
| 41 | 410197M1 | 2 | Exhaust Pipe | (A) |
| | 411712M1 | 1 | Exhaust Pipe | (B) |
| 42 | 1700464M1 | 2 | Clamp | |
| 43 | 1701057M1 | 1 | Gasket | |
| 44 | 1701058M1 | 1 | Cone | |
| 45 | 339229X1 | 2 | Bolt Metric | |
| 46 | 339030X1 | 2 | Nut Metric | |
| 47 | 9138077 | 1 | Heater | |
| 48 | 410099M91 | 1 | Tube | |
| 49 | 410102M91 | 1 | Tube | |
| 50 | 410105M1 | 1 | Tube | |
| 51 | 323939M1 | 4 | Clip | |
| 52 | 410403M1 | 1 | Band | |
| | | 1 | Band | |
| 53 | 339560X1 | 1 | Screw Metric | |
| | 339666X1 | 4 | Screw Metric | |
| 54 | 339375X1 | 5 | Lock Washer | |
| 55 | 339030X1 | 5 | Nut Metric | |
| 56 | 410063M1 | 2 | Cover | |
| 57 | 410064M91 | 1 | Plate | |
| 58 | 1723369M1 | 1 | Hose | (D) |
| | | | | (A) |
| | | | | Up to Serial or Engine Number 1906 |
| | | | | (B) |
| | | | | From Serial or Engine Number 1907 |
| | | | | (C) |
| | | | | Up to Serial or Engine Number 9751 |
| | | | | (D) |
| | | | | From Serial or Engine Number 9752 |
| | | | | (E) |

MASSEY FERGUSON

MF 31 COMBINE - 415718

415718

VW ENGINE 1200 CCM - 1200 CCM

20-1

| Item | Part Number | Qty | Description | Comments |
|------|-------------|-----|-------------|-------------------------------|
| | | | | Not serviced, order 1723372M1 |

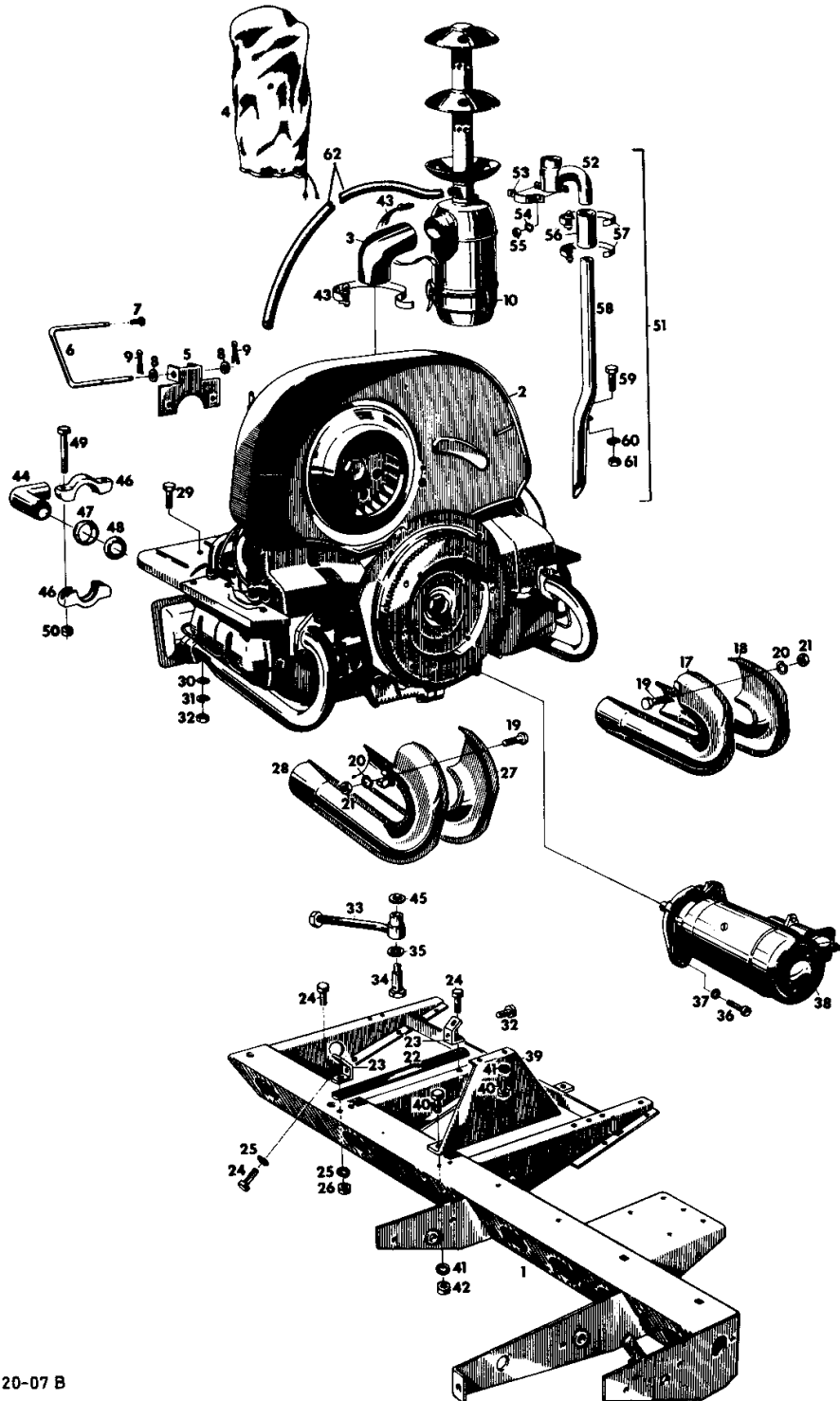
MF 31 COMBINE - 415718

20-2

VW-MOTOR 1600 ccm

VW ENGINE 1600 ccm

MOTEUR VW 1600 ccm



1151-20-07 B

Mähdrösch MF 31

415 718 M2 (Ausgabe 1) 12/70

MASSEY FERGUSON

MF 31 COMBINE - 415718

415718

VW ENGINE 1600 CCM - 1600 CCM

20-2

| Item | Part Number | Qty | Description | Comments |
|------|-------------|-----|---------------|--|
| | | | | 1600 CCM |
| 1 | 410985M92 | 1 | Support | |
| 2 | 411557M92 | 1 | Engine | |
| 3 | 323888M1 | 1 | Water Hose | |
| 4 | 1721380M1 | 1 | Bag | |
| 5 | 320682M2 | 1 | Bearer | |
| 6 | 323881M1 | 1 | Lever | |
| 7 | 339112X1 | 1 | Screw Metric | |
| 8 | 339056X1 | 2 | Washer Metric | |
| 9 | 339087X1 | 2 | Pin | |
| 10 | 414622M1 | 1 | Filter | (A) See Page - Reference Number 20-4 |
| | 411562M1 | 1 | Filter | (A) See Page - Reference Number 20-4 |
| 17 | 411563M91 | 1 | Guard | Right Hand |
| 18 | 411567M91 | 1 | Guard | Right Hand |
| 19 | 339230X1 | 10 | Screw Metric | |
| 20 | 339375X1 | 10 | Lock Washer | |
| 21 | 339030X1 | 10 | Nut Metric | |
| 22 | 320632M1 | 1 | Strap | |
| 23 | 410864M1 | 2 | Angle | |
| 24 | 339451X1 | 4 | Screw Metric | |
| 25 | 339376X1 | 4 | Lock Washer | |
| 26 | 339402X1 | 2 | Nut Metric | |
| 27 | 411569M91 | 1 | Guard | Left Hand |
| 28 | 411571M91 | 1 | Guard | Left Hand |
| 29 | 339560X1 | 2 | Screw Metric | |
| 30 | 390971X1 | 2 | Washer Metric | |
| 31 | 339375X1 | 2 | Lock Washer | |
| 32 | 339030X1 | 1 | Nut Metric | |
| 33 | 410093M91 | 1 | Extension | |
| 34 | 324946M1 | 1 | Screw | |
| 35 | 390591X1 | 1 | Seal | |
| 36 | 390580X1 | 2 | Screw Metric | |
| 37 | 339376X1 | 2 | Lock Washer | |
| 38 | 320828M1 | 1 | Startermotor | |
| 39 | 410076M1 | 1 | Support | |
| 40 | 339081X1 | 5 | Screw Metric | |
| 41 | 339376X1 | 5 | Lock Washer | |
| 42 | 339402X1 | 3 | Nut Metric | |
| 43 | 410403M1 | 2 | Band | |
| | | 2 | Band | |
| 44 | 411712M1 | 1 | Exhaust Pipe | (B) |
| 45 | 390688X1 | 1 | Seal | |
| 46 | 1700464M1 | 2 | Clamp | (B) |
| 47 | 1700465M1 | 1 | Washer | (B) |
| 48 | 1700466M1 | 1 | Cone | (B) |
| 49 | 339229X1 | 2 | Bolt Metric | (B) |
| 50 | 339030X1 | 2 | Nut Metric | (B) |
| 51 | 11517077 | 1 | Heater | |
| 52 | 411679M91 | 1 | Tube | |
| 53 | 411561M2 | 1 | Clip | |
| 54 | 339375X1 | 2 | Lock Washer | |
| 55 | 339030X1 | 2 | Nut Metric | |
| 56 | 411682M1 | 1 | Water Hose | |
| 57 | 410403M1 | 2 | Band | |
| | | 2 | Band | |
| 58 | 411676M91 | 1 | Tube | |
| 59 | 339560X1 | 1 | Screw Metric | |
| 60 | 339375X1 | 1 | Lock Washer | |
| 61 | 339030X1 | 1 | Nut Metric | |
| 62 | 1723369M1 | 1 | Hose | (C) (A) Not serviced, order 1723372M1 (B) Up to Serial or Engine Number 1906 (C) From Serial or Engine Number 9752 |

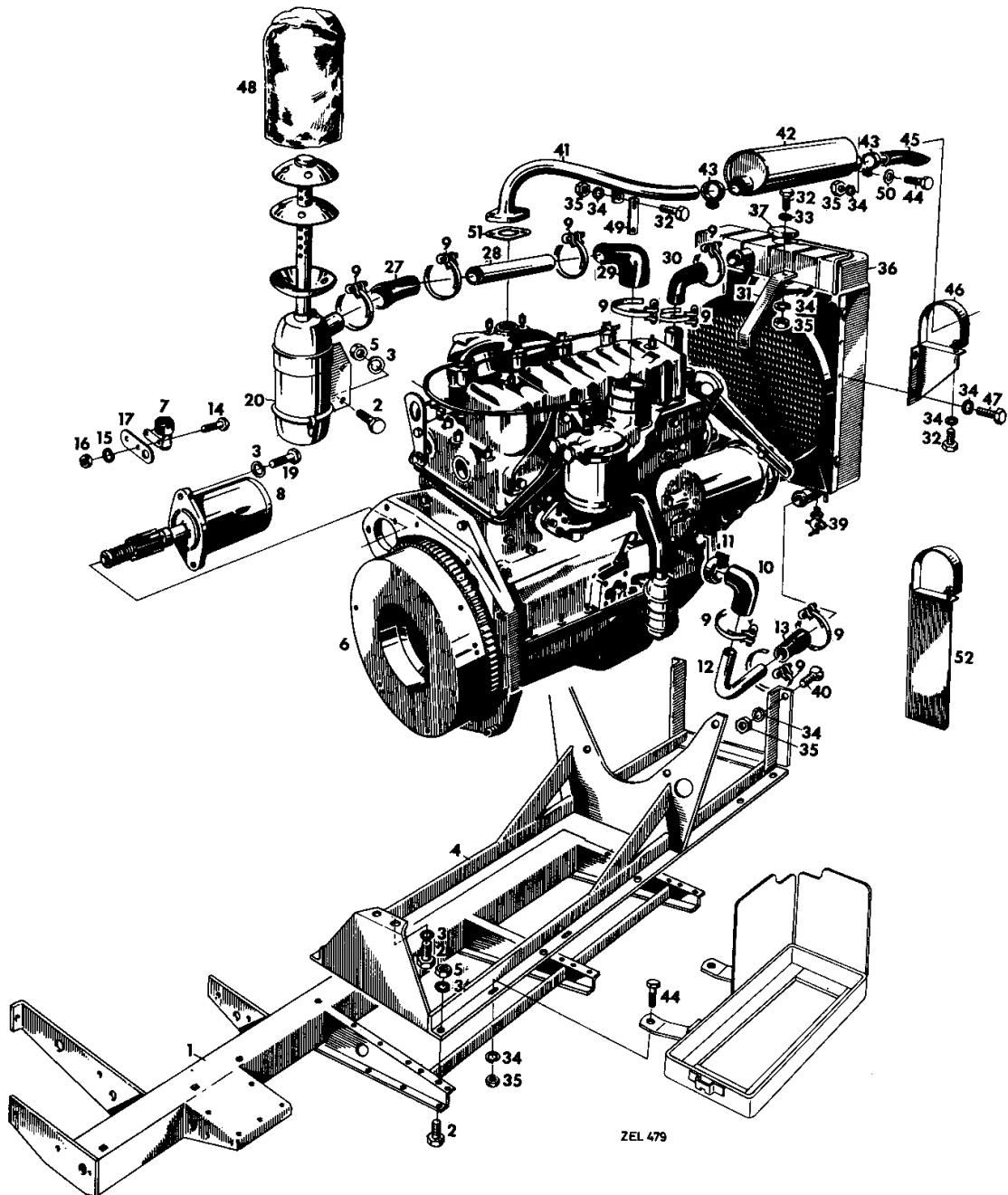
MF 31 COMBINE - 415718

20-3

PERKINS-MOTOR

PERKINS ENGINE

MOTEUR PERKINS



Mähdrrescher MF 31

415 718 M2 (Ausgabe 1) 12/70

PERKINS ENGINE

| Item | Part Number | Qty | Description | Comments |
|------|-------------|-----|----------------|---|
| 1 | 410985M92 | 1 | Support | |
| 2 | 339081X1 | 10 | Screw Metric | |
| 3 | 339376X1 | 11 | Lock Washer | |
| 4 | 618975M94 | 1 | Frame | |
| 5 | 339402X1 | 7 | Nut Metric | |
| 6 | | 1 | Engine | * (A) Not serviced, order 410324M2 |
| | 410324M2 | 1 | Engine | A 4.107 * (A) |
| | 410324M2 | 1 | Engine | A 4.107 UA ** |
| | 416594M1 | 1 | Engine | A 4.107 FA ** |
| 7 | 1446153M91 | 1 | Relay | |
| 8 | 1714939M1 | 1 | Starter Clutch | |
| 9 | 410403M1 | 10 | Band | |
| | 410402M1 | 10 | Band | |
| 10 | 619053M1 | 1 | Elbow | |
| 11 | 390708X1 | 1 | Clip | |
| 12 | 619061M1 | 1 | Elbow | |
| 13 | 619054M1 | 1 | Connector | |
| 14 | 339721X1 | 2 | Screw Metric | |
| 15 | 339381X1 | 2 | Lock Washer | |
| 16 | 339029X1 | 2 | Nut | |
| 17 | 619009M1 | 1 | Bracket | (C) |
| | 416364M1 | 1 | Bracket | (D) |
| 19 | 353537X1 | 1 | Screw Unf | |
| 20 | 414623M1 | 1 | Filter | (A) See Page - Reference Number 20-4 |
| | 410327M2 | 1 | Filter | (A) See Page - Reference Number 20-4 |
| 27 | 619058M1 | 1 | Elbow | |
| 28 | 619057M1 | 1 | Tube | |
| 29 | 619060M1 | 1 | Elbow | |
| 30 | 619059M1 | 1 | Elbow | |
| 31 | 410364M1 | 1 | Bracket | |
| 32 | 339123X1 | 3 | Screw Metric | |
| 33 | 339817X1 | 1 | Washer Metric | |
| 34 | 339374X1 | 11 | Lock Washer | |
| 35 | 339169X1 | 8 | Nut Metric | |
| 36 | 410350M2 | 1 | Radiator | (E) |
| | 417830M1 | 1 | Radiator | (F) |
| 37 | 411552M1 | 1 | Cap | (E) |
| | 417855M1 | 1 | Plug | (F) |
| 39 | 1851095M2 | 1 | Tap | |
| 40 | 339153X1 | 2 | Screw Metric | |
| 41 | 410351M91 | 1 | Tube | |
| 42 | 410343M2 | 1 | Silencer | |
| 43 | 410363M2 | 2 | Clip | |
| 44 | 339761X1 | 4 | Screw Metric | |
| 45 | 410355M1 | 1 | Stub | |
| 46 | 410357M91 | 1 | Clamp | |
| 47 | 339228X1 | 2 | Screw Metric | |
| 48 | 1721380M1 | 1 | Bag | |
| 49 | 410356M1 | 1 | Bracket | |
| 50 | 339817X1 | 2 | Washer Metric | |
| 51 | 619044M1 | 1 | Gasket | |
| 52 | 411735M91 | 1 | Support | (B) Up to Serial or Engine Number 6264 ** From Serial or Engine Number 6265 (A) ALTERNATIVE (B) For UK only or any text in English only (C) Up to Serial or Engine Number 6264 (D) From Serial or Engine Number 6265 |

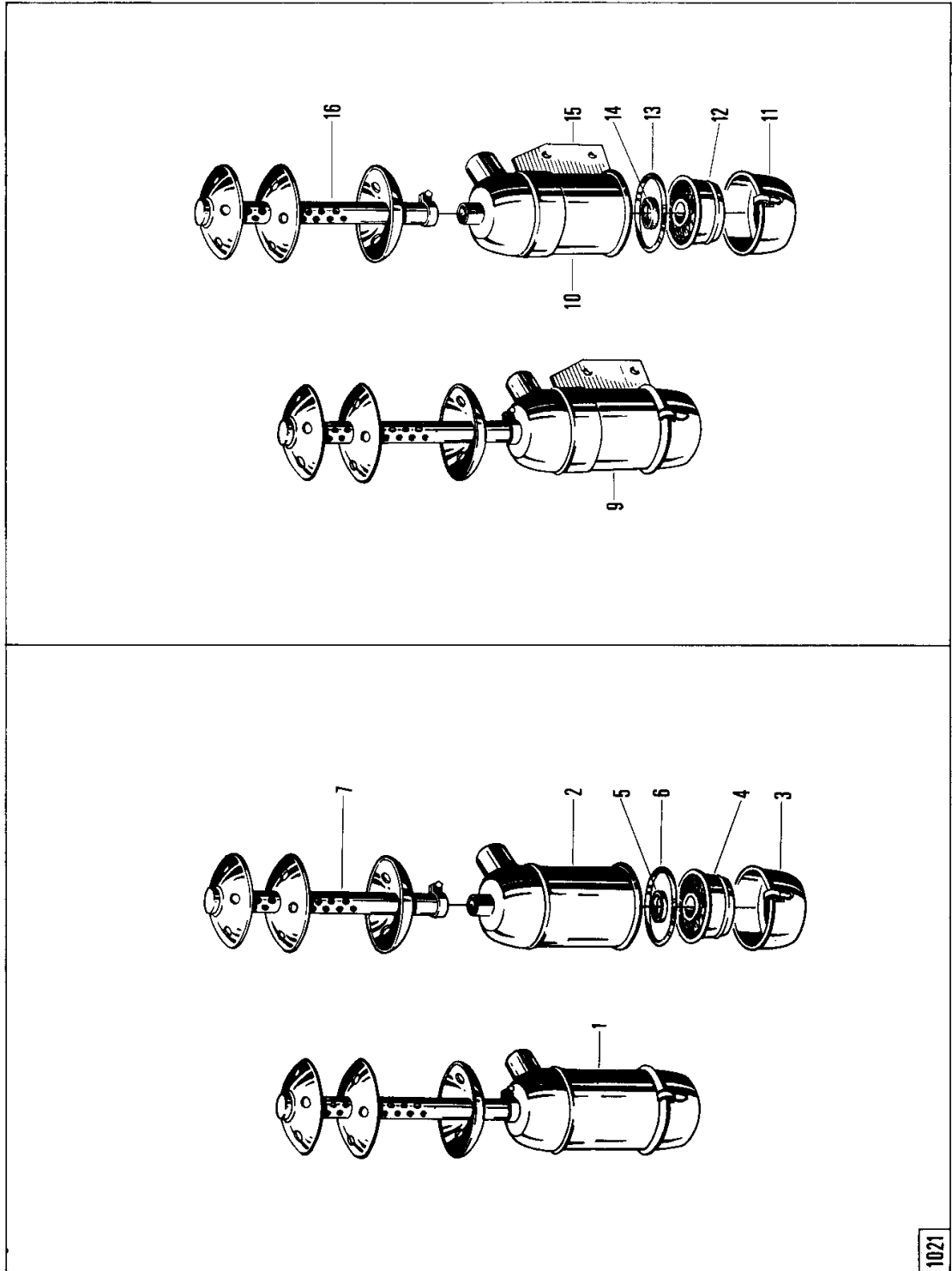
**MASSEY FERGUSON
MF 31 COMBINE - 415718**

415718

PERKINS ENGINE

20-3

| Item | Part Number | Qty | Description | Comments |
|------|-------------|-----|-------------|-------------------------------------|
| | | | | (E) STANDARD VERSION |
| | | | | (F) TROPICS VERSION (ABOVE 35 C) |



AIR FILTER

| Item | Part Number | Qty | Description | Comments |
|------|-------------|-----|-------------|-------------------------------------|
| 1 | 411562M1 | 1 | Filter | |
| | 414622M1 | 1 | Filter | |
| 2 | | 1 | Filter | |
| 3 | 1700515M1 | 1 | Container | |
| 4 | 1700517M1 | 1 | Element | |
| 5 | 1700518M1 | 1 | Joint | |
| 6 | 1700519M1 | 1 | Gasket | |
| 7 | 1700522M1 | 1 | Pipe | |
| 9 | 410327M2 | 1 | Filter | |
| | 414623M1 | 1 | Filter | |
| 10 | | 1 | Housing | Not serviced, order FILTER ASSEMBLY |
| 11 | 1700515M1 | 1 | Container | |
| 12 | 1700517M1 | 1 | Element | |
| 13 | 1700518M1 | 1 | Joint | |
| 14 | 1700519M1 | 1 | Gasket | |
| 15 | 1700521M1 | 1 | Strap | |
| 16 | 1700522M1 | 1 | Pipe | |

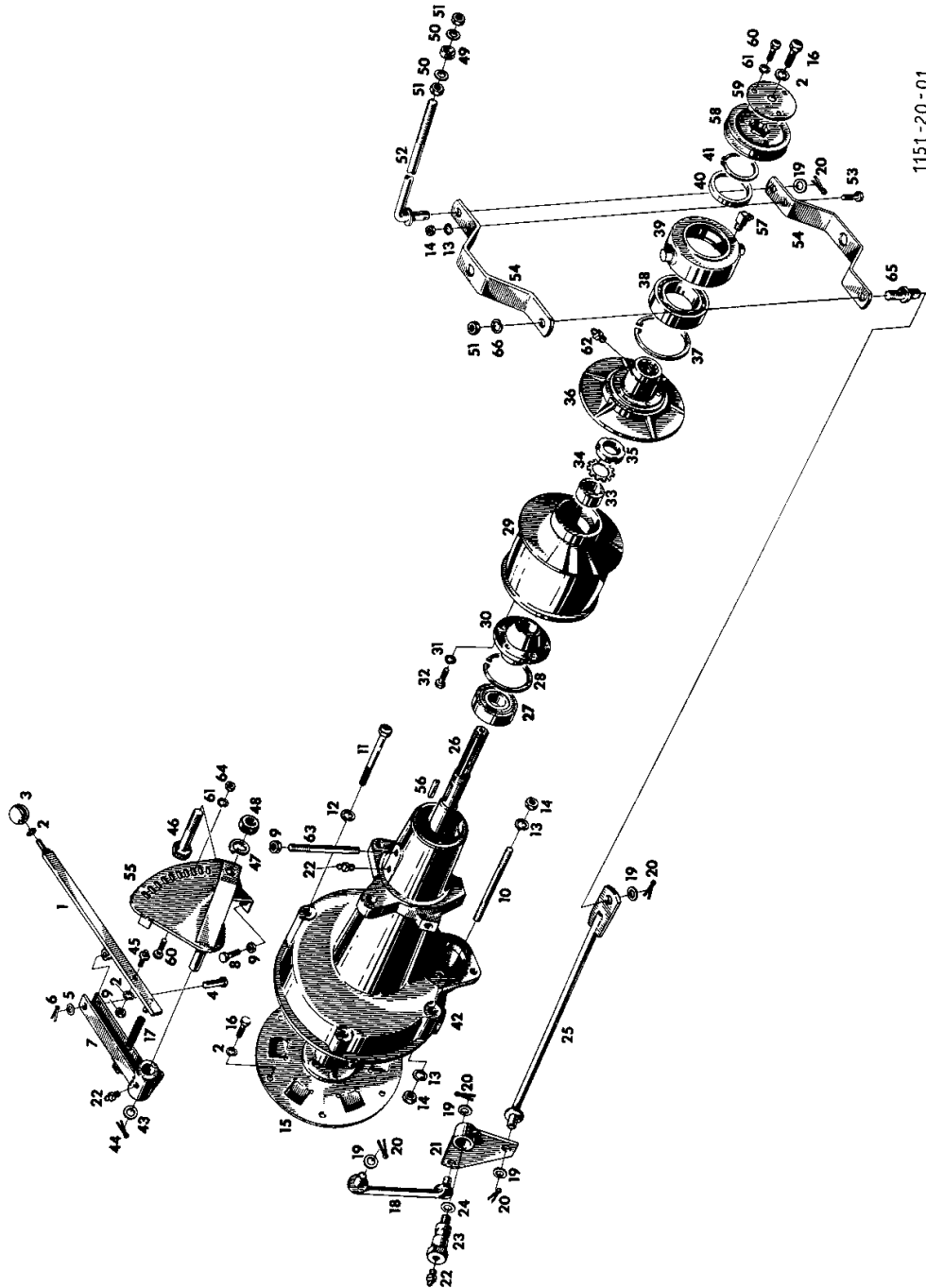
MF 31 COMBINE - 415718

20-5

MOTORABTRIEB - VW

MAIN DRIVE SHAFT - VW

CARTER ET PRISE DE FORCE - VW



Mähdrescher MF 31

415 718 M2 (Ausgabe 1) 12/70

**MASSEY FERGUSON
MF 31 COMBINE - 415718**

415718

20-5

MAIN DRIVE SHAFT - VW

| Item | Part Number | Qty | Description | Comments |
|------|-------------|-----|---------------|-------------------------------|
| 1 | 324095M91 | 1 | Lever | |
| 2 | 339374X1 | 1 | Lock Washer | |
| 3 | 339425X1 | 1 | Knob Assy | |
| 4 | 339143X1 | 1 | Clevis Pin | |
| 5 | 339025X1 | 1 | Washer Metric | |
| 6 | 391401X1 | 1 | Pin | |
| 7 | 324093M92 | 2 | Guide | |
| 8 | 339761X1 | 2 | Screw Metric | |
| 9 | 339169X1 | 4 | Nut Metric | |
| 10 | 320601M3 | 2 | Stud | |
| 11 | 339091X1 | 2 | Screw | |
| 12 | 339025X1 | 2 | Washer Metric | |
| 13 | 339376X1 | 5 | Lock Washer | |
| 14 | 339402X1 | 5 | Nut Metric | |
| 15 | 322334M93 | 1 | Disc | |
| 16 | 339123X1 | 7 | Screw Metric | |
| 17 | 1706044M1 | 1 | Spring | |
| 18 | 324112M93 | 1 | Stem | |
| 19 | 339763X1 | 5 | Washer | |
| 20 | 339076X1 | 5 | Pin | |
| 21 | 410620M91 | 1 | Plate | |
| 22 | 339003X1 | 3 | Greaser | |
| | 390066X1 | 1 | Plug | (B) |
| 23 | 324107M1 | 1 | Screw | |
| 24 | 391382X1 | 1 | Washer Metric | |
| 25 | 410605M91 | 1 | Stem | |
| 26 | 410607M2 | 1 | Shaft | |
| 27 | 1440509X1 | 1 | Bearing Ball | (A) |
| | 390384X1 | 1 | Bearing Ball | (B) |
| 28 | 1440480X1 | 1 | Circlip | |
| 29 | 410608M92 | 1 | Pulley | Right Hand |
| 30 | | 1 | Hub | Not serviced, order 410608M92 |
| 31 | 339374X1 | 6 | Lock Washer | |
| 32 | 339761X1 | 6 | Screw Metric | |
| 33 | 410622M1 | 1 | Bush | (C) |
| 34 | 320622M1 | 1 | Plate | |
| 35 | 320621M1 | 1 | Nut | |
| 36 | 410611M91 | 1 | Pulley | Left Hand |
| | | | | (C) |
| | 411638M91 | 1 | Pulley | (D) |
| 37 | 339094X1 | 1 | Circlip | |
| 38 | 1440504X1 | 1 | Bearing Ball | (A) |
| | 339601X1 | 1 | Bearing Ball | (B) |
| 39 | 320265M4 | 1 | Housing | (A) |
| | 414605M1 | 1 | Housing | (B) |
| 40 | 320266M1 | 1 | Ring | |
| 41 | 1440478X1 | 1 | Circlip | |
| 42 | 410614M1 | 1 | Housing | |
| 43 | 339027X1 | 1 | Washer Metric | |
| 44 | 339058X1 | 1 | Pin | |
| 45 | 322596M2 | 1 | Stem | |
| 46 | 339881X1 | 1 | Bolt Metric | |
| 47 | 339377X1 | 1 | Lock Washer | |
| 48 | 339034X1 | 1 | Nut Metric | |
| 49 | 410723M1 | 1 | Tube | |
| 50 | 339026X1 | 2 | Washer Metric | |
| 51 | 339054X1 | 3 | Nut Metric | |
| 52 | 410720M91 | 1 | Brace | |
| 53 | 339016X1 | 1 | Bolt | |
| 54 | 410616M1 | 2 | Lever | |
| 55 | 324101M92 | 1 | Sector | |
| 56 | 410623M1 | 1 | Key Door | |
| 57 | 339002X1 | 1 | Lubricator | |
| 58 | 410619M1 | 1 | Pulley | |
| 59 | 410618M1 | 1 | Washer | |
| 60 | 339560X1 | 4 | Screw Metric | |
| 61 | 339375X1 | 4 | Lock Washer | |
| 62 | 390843X1 | 1 | Nipple | |
| 63 | 390838X1 | 1 | Stud | |
| 64 | 339030X1 | 1 | Nut Metric | |

**MASSEY FERGUSON
MF 31 COMBINE - 415718**

415718

MAIN DRIVE SHAFT - VW

20-5

| Item | Part Number | Qty | Description | Comments |
|------|-------------|-----|-------------|------------------------------------|
| 65 | 411281M1 | 1 | Bolt | |
| 66 | 339369X1 | 1 | Lock Washer | |
| | | | | (A) |
| | | | | NON-SEALED BEARINGS |
| | | | | (B) |
| | | | | SEALED BEARINGS |
| | | | | (C) |
| | | | | Up to Serial or Engine Number 1826 |
| | | | | (D) |
| | | | | From Serial or Engine Number 1827 |

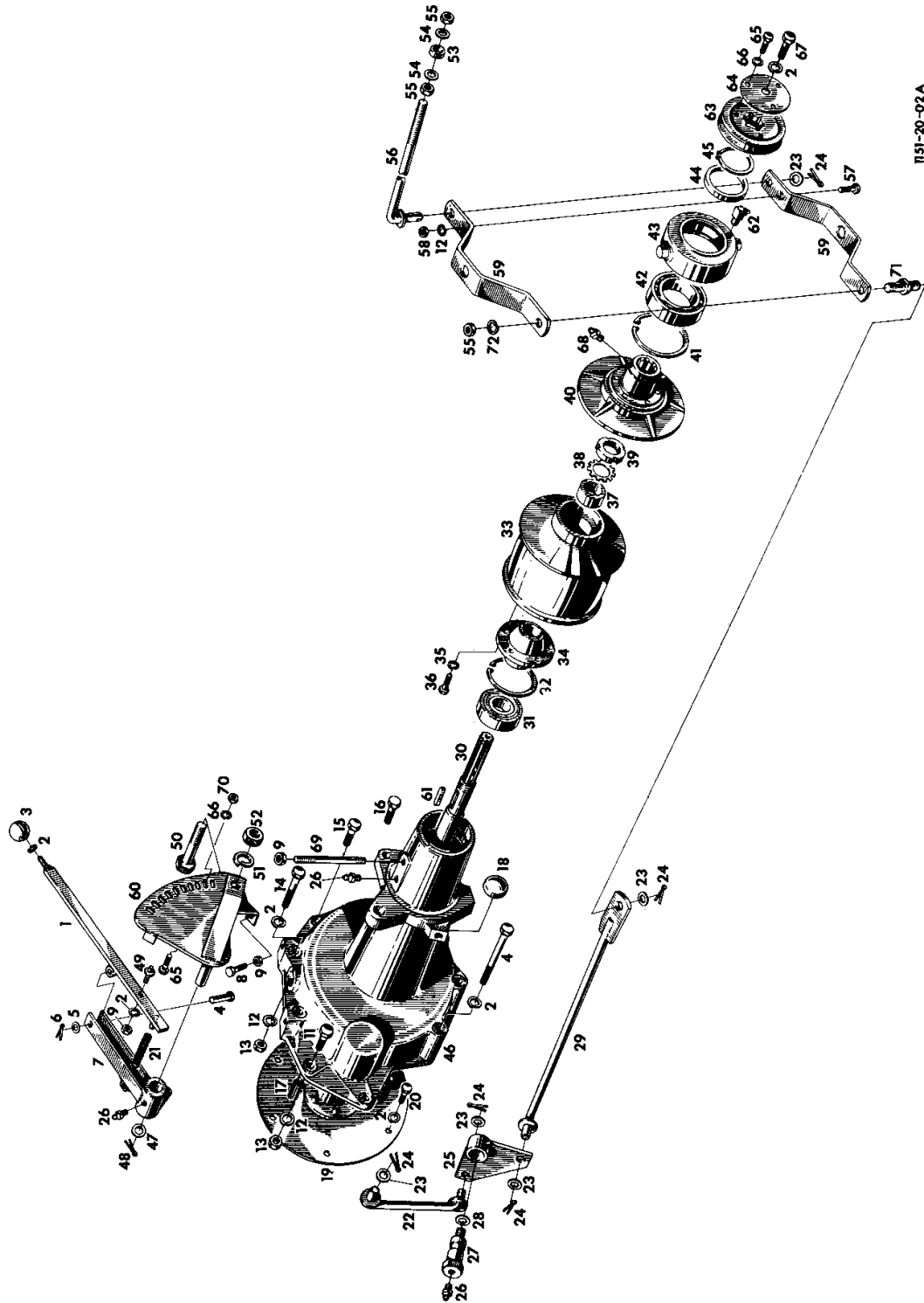
MF 31 COMBINE - 415718

20-6

MOTORABTRIEB - PERKINS

MAIN DRIVE SHAFT - PERKINS

CARTER ET PRISE DE FORCE - PERKINS



1151-20-02A

Mähdrescher MF 31

415 718 M2 (Ausgabe 1) 12/70

MASSEY FERGUSON

MF 31 COMBINE - 415718

415718

MAIN DRIVE SHAFT - PERKINS

20-6

| Item | Part Number | Qty | Description | Comments |
|------|-------------|-----|---------------|-------------------------------|
| 1 | 324095M91 | 1 | Lever | |
| 2 | 339374X1 | 16 | Lock Washer | |
| 3 | 339425X1 | 1 | Knob Assy | |
| 4 | 339143X1 | 1 | Clevis Pin | |
| 5 | 339025X1 | 1 | Washer Metric | |
| 6 | 391401X1 | 1 | Pin | |
| 7 | 324093M92 | 1 | Guide | |
| 8 | 339761X1 | 2 | Screw Metric | |
| 9 | 339169X1 | 4 | Nut Metric | |
| 10 | 353521X1 | 4 | Bolt Unf | |
| 11 | 353548X1 | 2 | Bolt Unf | |
| 12 | 339376X1 | 5 | Lock Washer | |
| 13 | 353431X1 | 4 | Nut Unf | |
| 14 | 353527X1 | 2 | Screw | |
| 15 | 353544X1 | 1 | Screw Unf | |
| 16 | 354514X1 | 1 | Bolt | |
| 17 | 330415X1 | 2 | Pin | |
| 18 | 613950M1 | 1 | Plug | |
| 19 | 412188M91 | 1 | Disc | |
| 20 | 353517X1 | 6 | Screw Unf | |
| 21 | 1706044M1 | 1 | Spring | |
| 22 | 324112M93 | 1 | Stem | |
| 23 | 339763X1 | 5 | Washer | |
| 24 | 339076X1 | 5 | Pin | |
| 25 | 410620M91 | 1 | Plate | |
| 26 | 339003X1 | 3 | Greaser | |
| | 390066X1 | 1 | Plug | (B) |
| 27 | 324107M1 | 1 | Screw | |
| 28 | 391382X1 | 1 | Washer Metric | |
| 29 | 410605M91 | 1 | Stem | |
| 30 | 410852M2 | 1 | Shaft | |
| 31 | 1440509X1 | 1 | Bearing Ball | (A) |
| | 390384X1 | 1 | Bearing Ball | (B) |
| 32 | 1440480X1 | 1 | Circlip | |
| 33 | 410608M92 | 1 | Pulley | Right Hand |
| 34 | | 1 | Hub | Not serviced, order 410608M92 |
| 35 | 339374X1 | 6 | Lock Washer | |
| 36 | 339761X1 | 6 | Screw Metric | |
| 37 | 410622M1 | 1 | Bush | (C) |
| 38 | 320622M1 | 1 | Plate | |
| 39 | 320621M1 | 1 | Nut | |
| 40 | 410611M91 | 1 | Pulley | Left Hand |
| | | | | (C) |
| | 411638M91 | 1 | Pulley | Left Hand |
| | | | | (D) |
| 41 | 339094X1 | 1 | Circlip | |
| 42 | 1440504X1 | 1 | Bearing Ball | (A) |
| | 339601X1 | 1 | Bearing Ball | (B) |
| 43 | 320265M4 | 1 | Housing | (A) |
| | 414605M1 | 1 | Housing | (B) |
| 44 | 320266M1 | 1 | Ring | |
| 45 | 1440478X1 | 1 | Circlip | |
| 46 | 410851M2 | 1 | Housing | (E) |
| | 411881M1 | 1 | Housing | (F) |
| | 410374M1 | 1 | Plug | |
| 47 | 339027X1 | 1 | Washer Metric | |
| 48 | 339058X1 | 1 | Pin | |
| 49 | 322596M2 | 1 | Stem | |
| 50 | 339881X1 | 1 | Bolt Metric | |
| 51 | 339377X1 | 1 | Lock Washer | |
| 52 | 339034X1 | 1 | Nut Metric | |
| 53 | 410723M1 | 1 | Tube | |
| 54 | 339026X1 | 2 | Washer Metric | |
| 55 | 339054X1 | 3 | Nut Metric | |
| 56 | 410720M91 | 1 | Brace | |
| 57 | 339451X1 | 1 | Screw Metric | |
| 58 | 339402X1 | 1 | Nut Metric | |
| 59 | 410616M1 | 2 | Lever | |
| 60 | 324101M92 | 1 | Sector | |
| 61 | 410623M1 | 1 | Key Door | |

MASSEY FERGUSON
MF 31 COMBINE - 415718

415718

20-6

MAIN DRIVE SHAFT - PERKINS

| Item | Part Number | Qty | Description | Comments |
|------|-------------|-----|--------------|----------|
| 62 | 339002X1 | 1 | Lubricator | |
| 63 | 410619M1 | 1 | Pulley | |
| 64 | 410618M1 | 1 | Washer | |
| 65 | 339560X1 | 4 | Screw Metric | |
| 66 | 339375X1 | 4 | Lock Washer | |
| 67 | 339123X1 | 1 | Screw Metric | |
| 68 | 390843X1 | 1 | Nipple | |
| 69 | 390838X1 | 1 | Stud | |
| 70 | 339030X1 | 1 | Nut Metric | |
| 71 | 411281M1 | 1 | Bolt | |
| 72 | 339369X1 | 1 | Lock Washer | |

(A)

NON-SEALED BEARINGS

(B)

SEALED BEARINGS

(C)

Up to Serial or Engine Number 1826

(D)

From Serial or Engine Number 1827

(E)

Up to Serial or Engine Number 3359

(F)

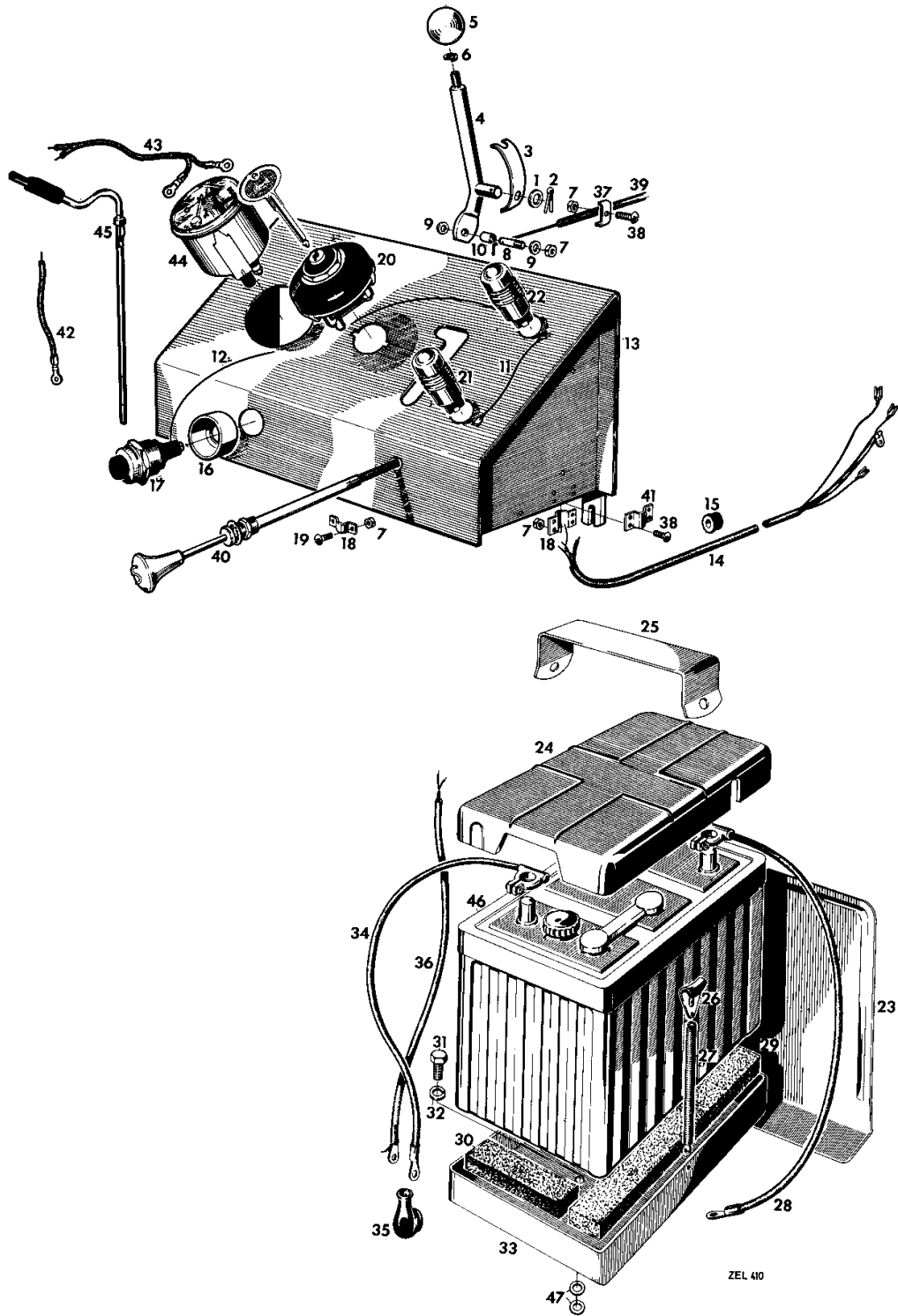
From Serial or Engine Number 3360

20-7

INSTRUMENTENBRETT UND
ELEKTRISCHE ANLAGE - VW

INSTRUMENT PANEL
AND ELECTRICAL
EQUIPMENT - VW

TABLEAU DE BORD ET
EQUIPEMENT ELECTRIQUE - VW



Mähdrescher MF 31

415 718 M2 (Ausgabe 1) 12/70

**MASSEY FERGUSON
MF 31 COMBINE - 415718**

415718

20-7

INSTRUMENT PANEL AND ELECTRICAL EQUIPMENT - VW

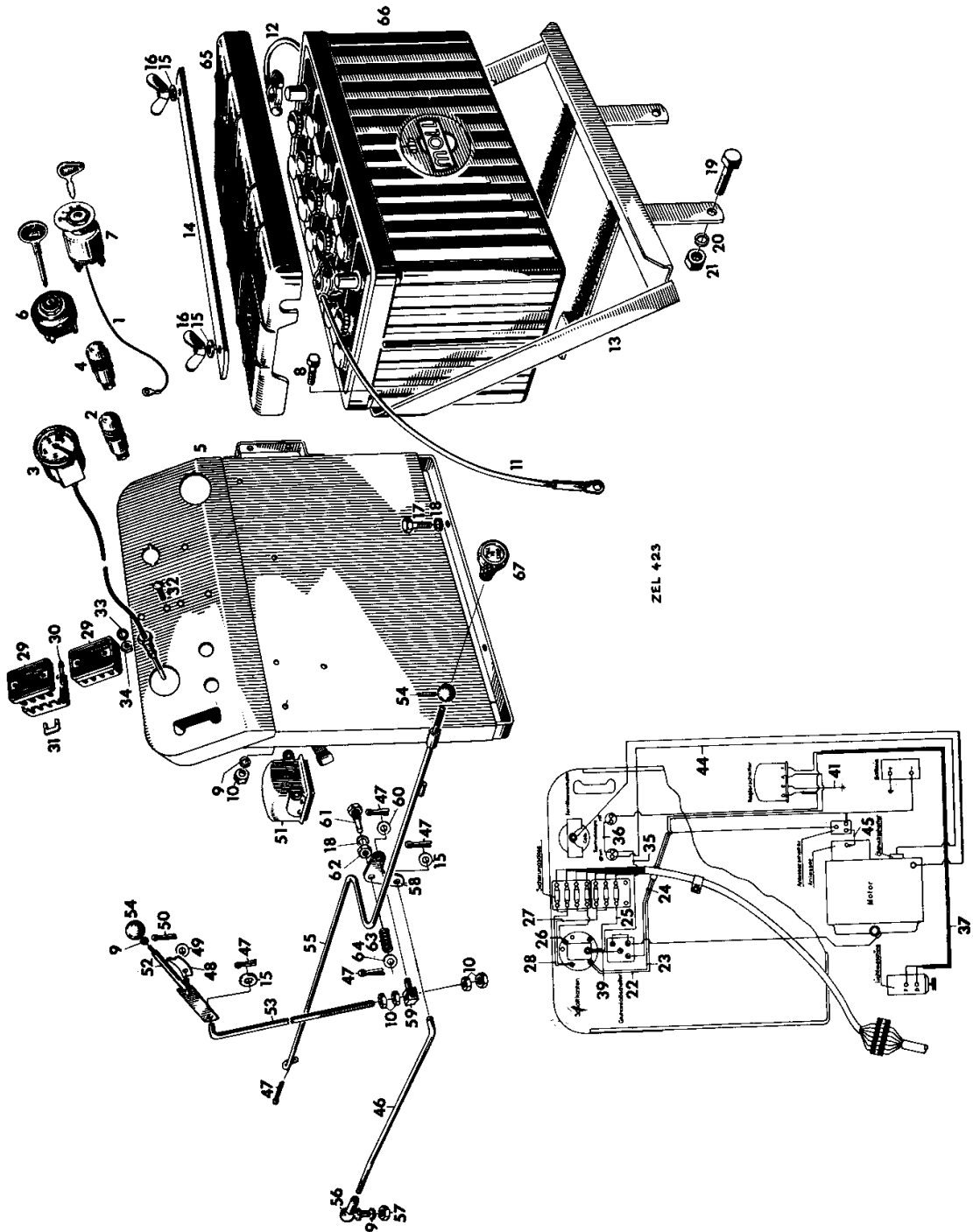
| Item | Part Number | Qty | Description | Comments |
|------|-------------|-----|------------------|-------------------|
| 1 | 339056X1 | 1 | Washer Metric | |
| 2 | 339087X1 | 1 | Pin | |
| 3 | 323886M1 | 1 | Spring | |
| 4 | 323837M92 | 1 | Lever | |
| 5 | 339426X1 | 1 | Knob | |
| 6 | 339375X1 | 1 | Lock Washer | |
| 7 | 339111X1 | 8 | Nut | |
| 8 | 323883M2 | 1 | Bolt | |
| 9 | 339362X1 | 2 | Washer | |
| 10 | 323884M2 | 1 | Spacer | |
| 11 | 323901M2 | 1 | Harness | |
| 12 | 323909M1 | 1 | Cable | |
| 13 | 323862M93 | 1 | Panel | |
| 14 | 410387M2 | 1 | Harness | |
| 15 | 320858M1 | 1 | Grommet | |
| 16 | 320797M2 | 1 | Sleeve | |
| 17 | 320808M1 | 1 | Switch | |
| 18 | 323914M1 | 2 | Clip | |
| 19 | 339268X1 | 2 | Screw Metric | |
| 20 | 320807M1 | 1 | Switch, Ignition | |
| | 1700112M1 | 1 | Key Door | |
| 21 | 413581M1 | 1 | Lamp | |
| | 320824M1 | 1 | Bulb | |
| 22 | 413580M1 | 1 | Lamp | |
| | 320824M1 | 1 | Bulb | |
| 23 | 410865M1 | 1 | Guard | |
| 24 | 320403M2 | 1 | Cover | |
| 25 | 321735M2 | 1 | Bridle | |
| 26 | 320637M1 | 2 | Hook | |
| 27 | 1706122M1 | 2 | Spring | |
| 28 | 323921M1 | 1 | Cable | NEGATIVE |
| 29 | 321587M1 | 2 | Gasket | |
| 30 | 321586M1 | 2 | Gasket | |
| 31 | 339081X1 | 3 | Screw Metric | |
| 32 | 339376X1 | 3 | Lock Washer | |
| 33 | 410862M1 | 1 | Carrier | |
| 34 | 323922M1 | 1 | Cable | POSITIVE |
| 35 | 320829M1 | 1 | Cap | |
| 36 | 410386M1 | 1 | Harness | |
| 37 | 323885M1 | 1 | Clip | |
| 38 | 339112X1 | 5 | Screw Metric | |
| 39 | 323882M1 | 1 | Pull | |
| 40 | 323916M1 | 1 | Control | |
| | 1700809M1 | 1 | Button | |
| 41 | 323913M1 | 2 | Strap | |
| 42 | 324009M91 | 1 | Cable | (A) |
| 43 | 324008M91 | 1 | Cable | (A) |
| 44 | 323996M1 | 1 | Manometer | (A) |
| 45 | 410171M1 | 1 | Connection | (A) |
| 46 | | 1 | Battery | 6V, 75 AH |
| 47 | 339735X1 | 4 | Washer | (A) |
| | | | | SPECIAL EQUIPMENT |

20-8

INSTRUMENTENBRETT UND
ELEKTRISCHE ANLAGE -
PERKINS
bis Serien-Nr. 3359

INSTRUMENT PANEL
AND ELECTRICAL
EQUIPMENT - PERKINS
up to No. 3359

TABLEAU DE BORD ET
EQUIPEMENT ELECTRIQUE -
PERKINS
jusqu'au No. 3359



Mährescher MF 31

415 718 M2 (Ausgabe 1) 12/70

**MASSEY FERGUSON
MF 31 COMBINE - 415718**

415718

INSTRUMENT PANEL AND ELECTRICAL EQUIPMENT - PERKINS

20-8

| Item | Part Number | Qty | Description | Comments |
|------|-------------|-----|------------------|------------------------------------|
| | | | | Up to Serial or Engine Number 3359 |
| 1 | 410408M1 | 1 | Cable | |
| 2 | 413580M1 | 1 | Lamp | |
| | 322795M1 | 1 | Bulb | |
| 3 | 410315M1 | 1 | Thermometer | |
| 4 | 413581M1 | 1 | Lamp | |
| | 322795M1 | 1 | Bulb | |
| 5 | 410409M93 | 1 | Panel | |
| 6 | 320807M1 | 1 | Switch, Ignition | |
| | 1700112M1 | 1 | Key Door | |
| 7 | 417402M1 | 1 | Switch | |
| | 1714521M1 | 1 | Key | |
| | 967420M1 | 1 | Plate | |
| 8 | 339804X1 | 2 | Screw Metric | |
| 9 | 339375X1 | 4 | Lock Washer | |
| 10 | 339030X1 | 6 | Nut Metric | |
| 11 | 410312M1 | 1 | Cable | NEGATIVE |
| 12 | 410333M1 | 1 | Cable | POSITIVE |
| 13 | 410287M91 | 1 | Frame | |
| 14 | 410289M1 | 1 | Strap | |
| 15 | 390971X1 | 4 | Washer Metric | |
| 16 | 339722X1 | 2 | Nut | |
| 17 | 339761X1 | 2 | Screw Metric | |
| 18 | 339374X1 | 3 | Lock Washer | |
| 19 | 339451X1 | 2 | Screw Metric | |
| 20 | 339376X1 | 2 | Lock Washer | |
| 21 | 339402X1 | 2 | Nut Metric | |
| 22 | 410266M1 | 1 | Cable | |
| 23 | 410267M2 | 1 | Cable | |
| 24 | 410409M1 | 1 | Cable | |
| 25 | 410269M1 | 1 | Cable | (A) |
| 26 | 410270M1 | 1 | Cable | (A) |
| 27 | 410271M1 | 1 | Cable | (A) |
| 28 | 410272M1 | 1 | Cable | (A) |
| 29 | 320809M2 | 2 | Box | (A) |
| 30 | 320810M2 | 7 | Fuse | (A) |
| 31 | 320823M1 | 3 | Rail | (A) |
| 32 | 339112X1 | 4 | Screw Metric | (A) |
| 33 | 339382X1 | 4 | Lock Washer | (A) |
| 34 | 339111X1 | 4 | Nut | (A) |
| 35 | 410273M2 | 1 | Cable | |
| 36 | 410274M2 | 1 | Cable | |
| 37 | 410275M2 | 1 | Cable | |
| 39 | 410410M1 | 1 | Cable | |
| 41 | 410280M2 | 1 | Cable | |
| | 391483X1 | 1 | Screw Metric | |
| | 339375X1 | 1 | Lock Washer | |
| | 339030X1 | 1 | Nut Metric | |
| 44 | 410281M2 | 1 | Cable | |
| 45 | 410334M1 | 1 | Cable | |
| 46 | 410372M1 | 1 | Rod | |
| 47 | 391400X1 | 5 | Pin | |
| 48 | 323886M1 | 1 | Spring | |
| 49 | 339024X1 | 1 | Washer Metric | |
| 50 | 391402X1 | 1 | Pin | |
| 51 | 1700892M1 | 1 | Control Box | |
| 52 | 410370M91 | 1 | Lever | |
| 53 | 410371M1 | 1 | Rod | |
| 54 | 339426X1 | 2 | Knob | |
| 55 | 411504M91 | 1 | Rod | |
| 56 | 390705X1 | 1 | Toggle | |
| 57 | 339030X1 | 1 | Nut Metric | (B) |
| 58 | 619018M1 | 1 | Lever | |
| 59 | 619023M1 | 1 | Eye | |
| 60 | 390050X1 | 1 | Washer | |
| 61 | 619022M1 | 1 | Joint | |
| 62 | 339169X1 | 1 | Nut Metric | |
| 63 | 1706018M1 | 1 | Spring | |
| 64 | 339588X1 | 1 | Washer | |
| 65 | 404951M1 | 1 | Cover | |

MASSEY FERGUSON**MF 31 COMBINE - 415718****415718****INSTRUMENT PANEL AND ELECTRICAL EQUIPMENT - PERKINS****20-8**

| Item | Part Number | Qty | Description | Comments |
|-------------|--------------------|------------|--------------------|--|
| 66 | | 1 | Battery | 12V, 70 AH |
| 67 | 411556M1 | 1 | Knob | (C) (A) FOR COMBINES WITH LIGHTING EQUIPMENT ONLY (B) NOT USED IF 390705X1 IS FITTED (C) U.K. ONLY |

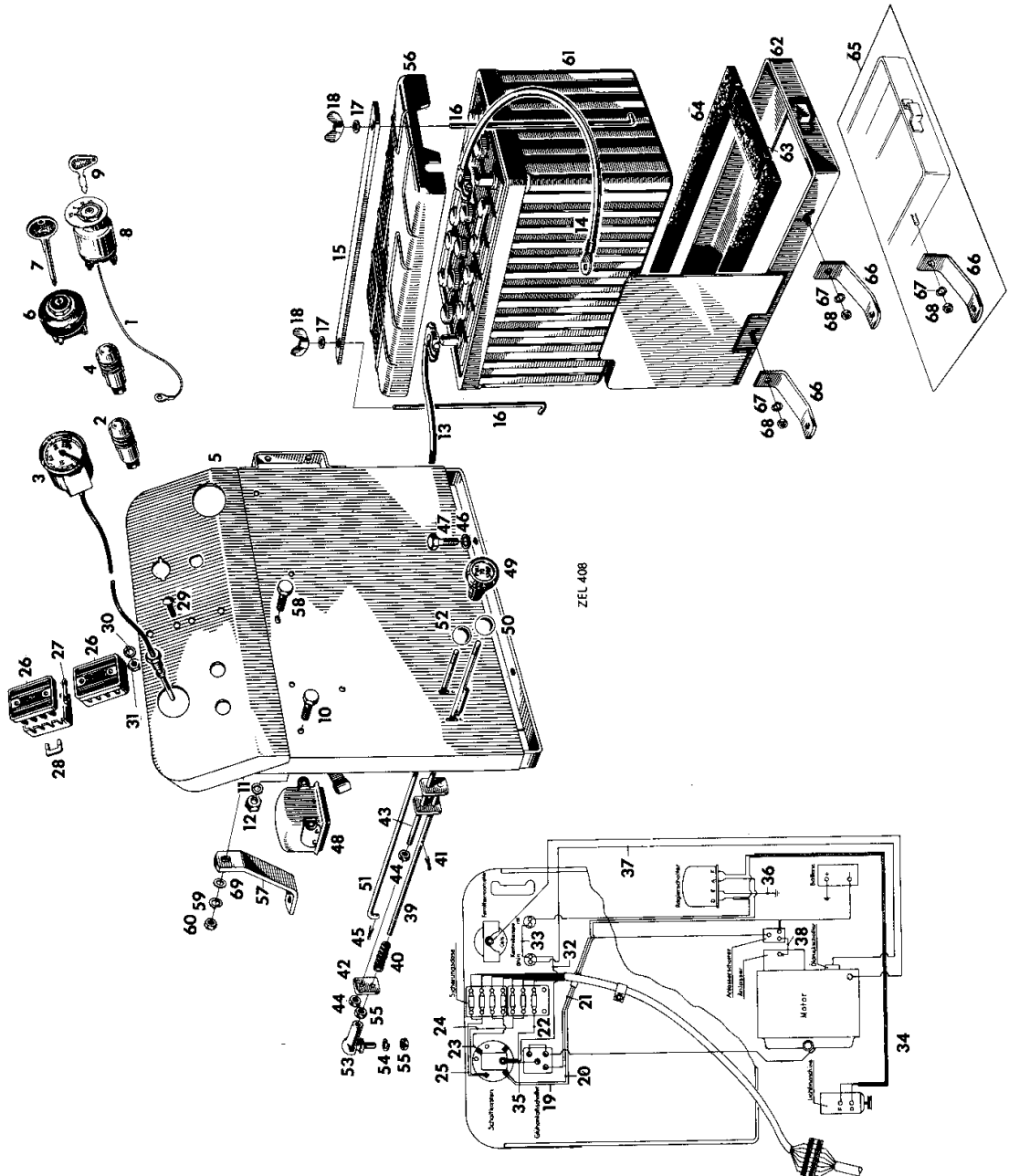
MF 31 COMBINE - 415718

20-9

INSTRUMENTENBRETT UND
ELEKTRISCHE ANLAGE -
PERKINS
ab Serien-Nr. 3360

INSTRUMENT PANEL
AND ELECTRICAL
EQUIPMENT - PERKINS
from No. 3360

TABLEAU DE BORD ET
EQUIPEMENT ELECTRIQUE -
PERKINS
à partir du No. 3360



Mähdrescher MF 31

415 718 M2 (Ausgabe 1) 12/70

**MASSEY FERGUSON
MF 31 COMBINE - 415718**

415718

INSTRUMENT PANEL AND ELECTRICAL EQUIPMENT - PERKINS

20-9

| Item | Part Number | Qty | Description | Comments |
|------|-------------|-----|------------------|-----------------------------------|
| | | | | From Serial or Engine Number 3360 |
| 1 | 410408M1 | 1 | Cable | |
| 2 | 413580M1 | 1 | Lamp | |
| | 322795M1 | 1 | Bulb | |
| 3 | 410315M1 | 1 | Thermometer | |
| 4 | 413581M1 | 1 | Lamp | |
| | 322795M1 | 1 | Bulb | |
| 5 | 411883M91 | 1 | Panel | (N) |
| | 416598M91 | 1 | Panel | (F, M) |
| 6 | 320807M1 | 1 | Switch, Ignition | |
| 7 | 1700112M1 | 1 | Key Door | |
| 8 | 417402M1 | 1 | Switch | |
| 9 | 1714521M1 | 1 | Key | (G) |
| | 1701282M1 | 1 | Spanner | (H, J) |
| | 968826M2 | 1 | Plate | (F) |
| | 967420M1 | 1 | Plate | |
| 10 | 339804X1 | 2 | Screw Metric | |
| 11 | 339375X1 | 2 | Lock Washer | |
| 12 | 339030X1 | 2 | Nut Metric | |
| 13 | 411882M1 | 1 | Cable | |
| 14 | 323922M1 | 1 | Cable | |
| 15 | 410289M1 | 1 | Strap | |
| 16 | 412833M1 | 2 | Bolt | |
| 17 | 390971X1 | 2 | Washer Metric | |
| 18 | 339722X1 | 2 | Nut | |
| 19 | 410266M1 | 1 | Cable | |
| 20 | 410267M2 | 1 | Cable | |
| 21 | 410409M1 | 1 | Cable | |
| 22 | 410269M1 | 1 | Cable | (A) |
| 23 | 410270M1 | 1 | Cable | (A) |
| 24 | 410271M1 | 1 | Cable | (A) |
| 25 | 410272M1 | 1 | Cable | (A) |
| 26 | 320809M2 | 2 | Box | (A) |
| 27 | 320810M2 | 7 | Fuse | (A) |
| 28 | 320823M1 | 3 | Rail | (A) |
| 29 | 339112X1 | 4 | Screw Metric | (A) |
| 30 | 339382X1 | 4 | Lock Washer | (A) |
| 31 | 339111X1 | 4 | Nut | (A) |
| 32 | 410273M2 | 1 | Cable | |
| 33 | 410274M2 | 1 | Cable | |
| 34 | 410275M2 | 1 | Cable | |
| 35 | 410410M1 | 1 | Cable | |
| 36 | 410280M2 | 1 | Cable | |
| | 391483X1 | 1 | Screw Metric | |
| | 339375X1 | 1 | Lock Washer | |
| | 339030X1 | 1 | Nut Metric | |
| 37 | 410281M2 | 1 | Cable | (K) |
| | 1722533M1 | 1 | Cable | (L) |
| 38 | 410334M1 | 1 | Cable | |
| | 411826M91 | 1 | Rod | |
| 39 | 411827M91 | 1 | Rod | |
| 40 | 1706021M1 | 1 | Spring | |
| 41 | 339087X1 | 1 | Pin | |
| 42 | 411830M1 | 1 | Bracket | |
| 43 | 411828M91 | 1 | Rod | |
| 44 | 339030X1 | 2 | Nut Metric | |
| 45 | 391400X1 | 1 | Pin | |
| 46 | 339374X1 | 2 | Lock Washer | |
| 47 | 339761X1 | 2 | Screw Metric | |
| 48 | 1700892M1 | 1 | Control Box | |
| 49 | 411556M1 | 1 | Knob | (B) |
| 50 | 339426X1 | 1 | Knob | |
| 51 | 411833M91 | 1 | Rod | |
| 52 | 339426X1 | 1 | Knob | |
| 53 | 390705X1 | 1 | Toggle | |
| 54 | 339375X1 | 1 | Lock Washer | |
| 55 | 339030X1 | 2 | Nut Metric | (E) |
| 56 | 404951M1 | 1 | Cover | |
| 57 | 411836M1 | 1 | Bracket | |
| 58 | 390737X1 | 1 | Bolt | |

**MASSEY FERGUSON
MF 31 COMBINE - 415718**

415718

INSTRUMENT PANEL AND ELECTRICAL EQUIPMENT - PERKINS

20-9

| Item | Part Number | Qty | Description | Comments |
|------|-------------|-----|---------------|----------|
| 59 | 339375X1 | 1 | Lock Washer | |
| 60 | 339030X1 | 1 | Nut Metric | |
| 61 | | 1 | Battery | |
| | 411837M92 | 1 | Frame | |
| 62 | 411838M92 | 1 | Frame | (D) |
| 63 | 404944M1 | 2 | Strip | |
| 64 | 404943M1 | 2 | Strip | |
| 65 | 414658M91 | 1 | Frame | (C) |
| 66 | 411839M2 | 2 | Bracket | |
| 67 | 339374X1 | 2 | Lock Washer | |
| 68 | 339169X1 | 2 | Nut Metric | |
| 69 | 390971X1 | 1 | Washer Metric | |

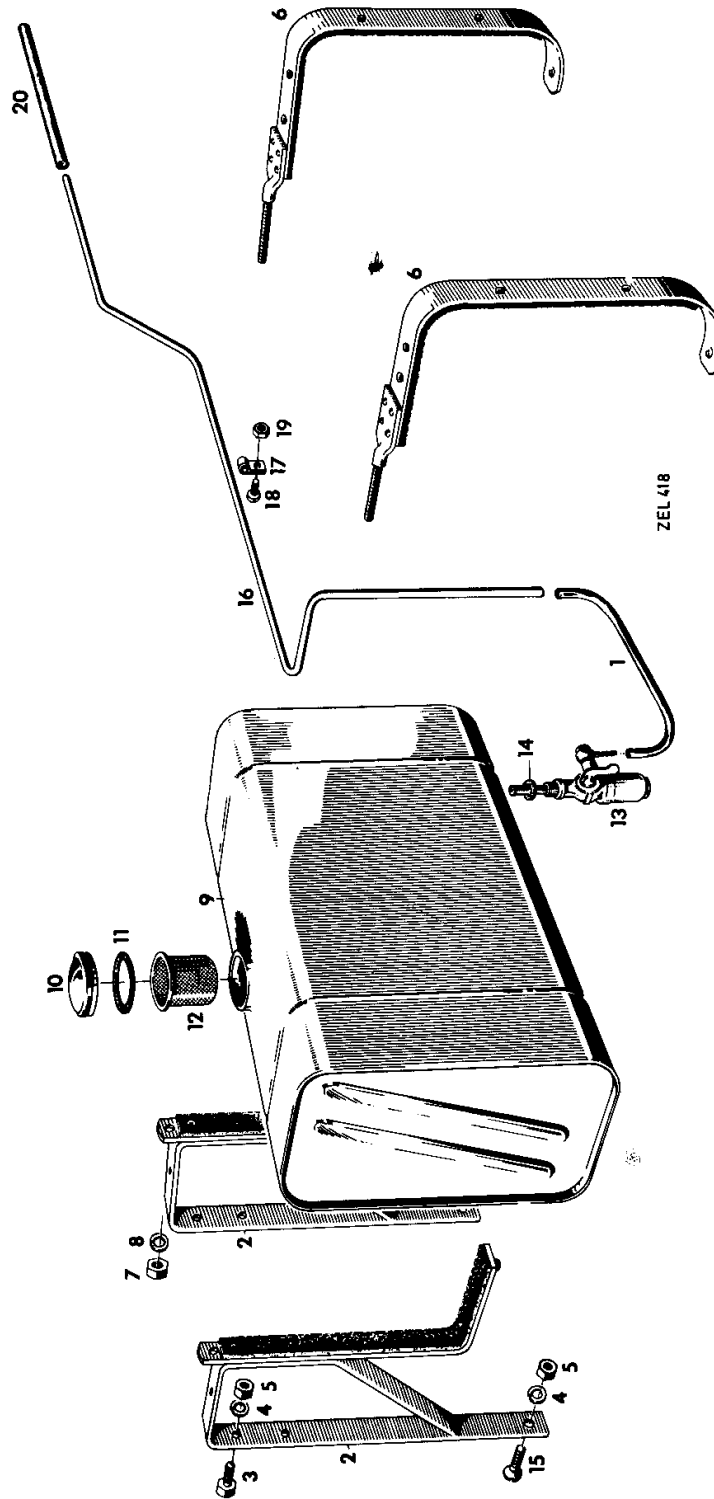
(A)
FOR COMBINES WITH LIGHTING EQUIPMENT ONLY
(B)
U.K. ONLY
(C)
Up to Serial or Engine Number 4254
(D)
From Serial or Engine Number 4255
(E)
NOT USED IF 390705X1 IS FITTED
(F)
FRANCE ONLY
(G)
Up to Serial or Engine Number
(H)
From Serial or Engine Number
(J)
USED WITH 417402M1
(K)
Up to Serial or Engine Number
(L)
From Serial or Engine Number
(M)
Up to Serial or Engine Number 4436
(N)
FOR FRANCE ALSO
From Serial or Engine Number 4437

20-10

KRAFTSTOFFBEHÄLTER UND
LEITUNGEN - VW

FUEL TANKS AND
FUEL LINES - VW

RESERVOIR A CARBURANT
ET TUYAUTERIES - VW



Mähdrescher MF 31

415 718 M2 (Ausgabe 1) 12/70

**MASSEY FERGUSON
MF 31 COMBINE - 415718**

415718

FUEL TANK AND FUEL LINES - VW

20-10

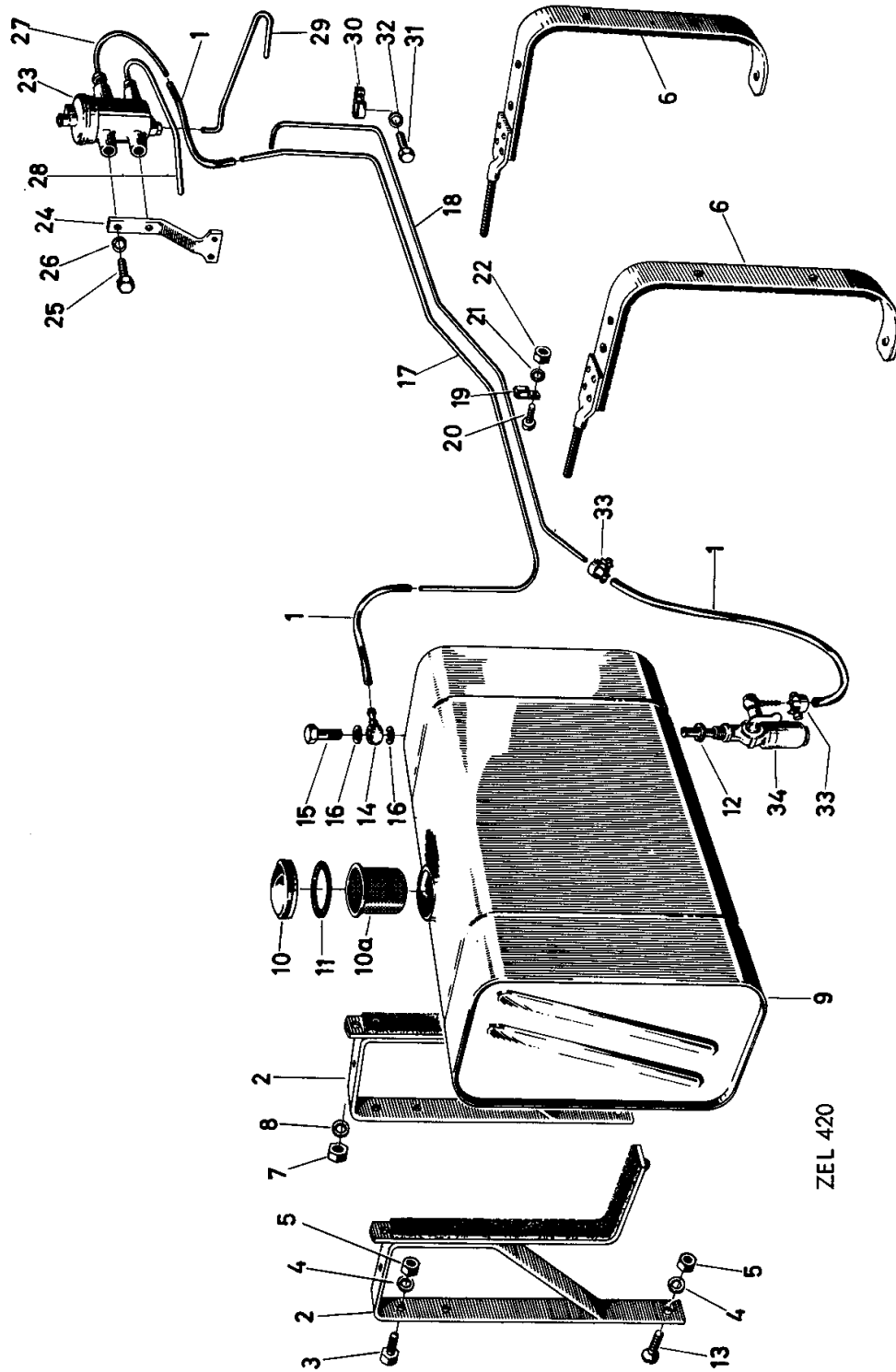
| Item | Part Number | Qty | Description |
|-------------|--------------------|------------|--------------------|
| 1 | 321435M2 | 1 | Hose |
| 2 | 322273M94 | 2 | Support |
| 3 | 339123X1 | 4 | Screw Metric |
| 4 | 339374X1 | 6 | Lock Washer |
| 5 | 339169X1 | 6 | Nut Metric |
| 6 | 322681M94 | 2 | Strap |
| 7 | 339402X1 | 2 | Nut Metric |
| 8 | 339376X1 | 2 | Lock Washer |
| 9 | 323819M94 | 1 | Reservoir |
| 10 | 322507M2 | 1 | Cap |
| 11 | 1700180M1 | 1 | Gasket |
| 12 | 411674M1 | 1 | Fuel Filter |
| 13 | 417880M1 | 1 | Cock |
| 14 | 321019M1 | 2 | Gasket |
| 15 | 339153X1 | 2 | Screw Metric |
| 16 | 410467M1 | 1 | Tube |
| 17 | 321564M1 | 1 | Clip |
| 18 | 391484X1 | 1 | Screw Metric |
| 19 | 339030X1 | 1 | Nut Metric |
| 20 | 416553M1 | 1 | Hose |

20-11

KRAFTSTOFFBEHÄLTER UND
LEITUNGEN - PERKINS

FUEL TANKS AND
FUEL LINES - PERKINS

RESERVOIR A CARBURANT ET
TUYAUTERIES - PERKINS



Mähdrrescher MF 31

415 718 M2 (Ausgabe 1) 12/70

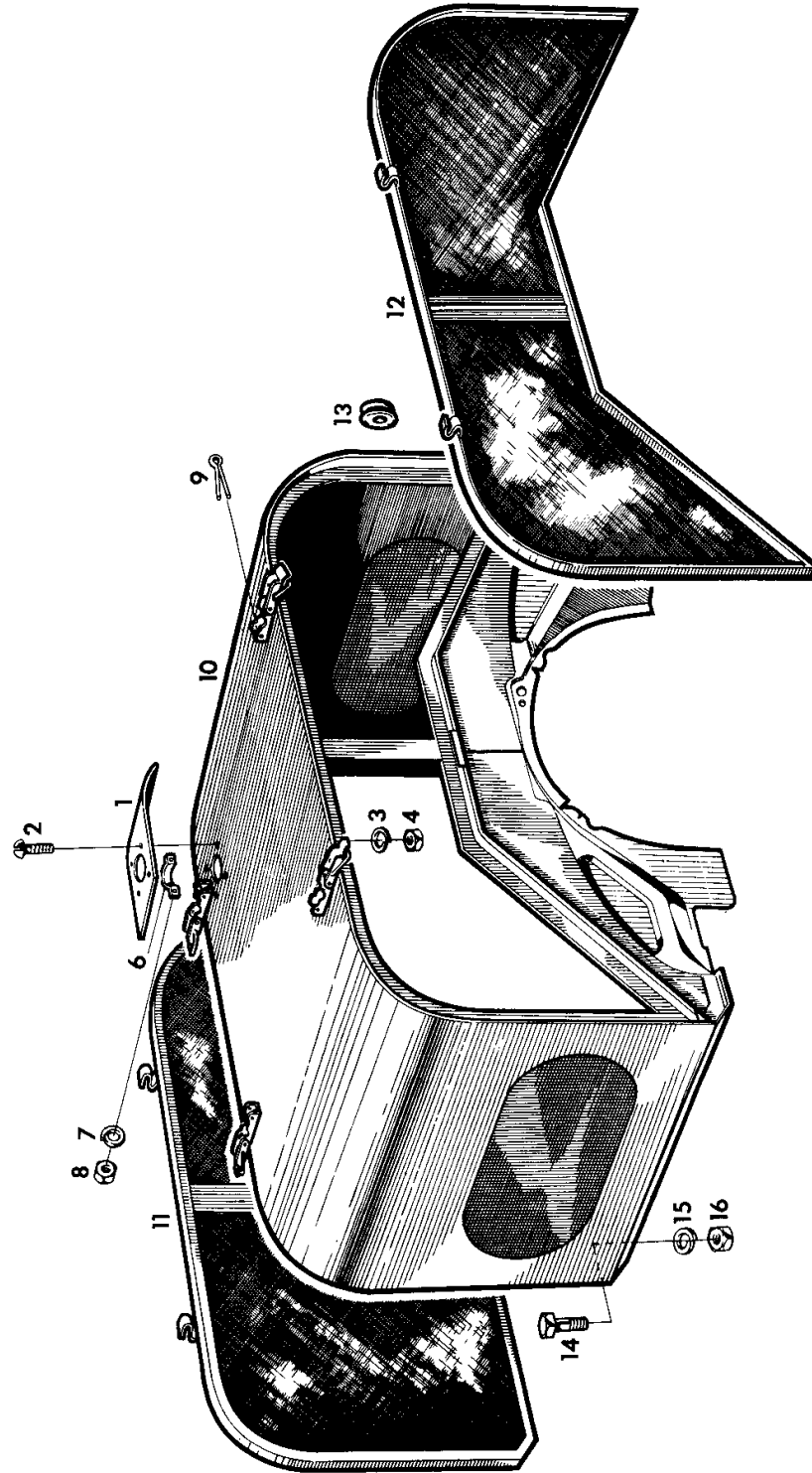
**MASSEY FERGUSON
MF 31 COMBINE - 415718**

415718

FUEL TANK AND FUEL LINES - PERKINS

20-11

| Item | Part Number | Qty | Description |
|------|-------------|-----|--------------|
| 1 | 321435M2 | 3 | Hose |
| 2 | 322273M94 | 2 | Support |
| 3 | 339123X1 | 4 | Screw Metric |
| 4 | 339374X1 | 6 | Lock Washer |
| 5 | 339169X1 | 6 | Nut Metric |
| 6 | 322681M94 | 2 | Strap |
| 7 | 339402X1 | 2 | Nut Metric |
| 8 | 339376X1 | 2 | Lock Washer |
| 9 | 324815M95 | 1 | Tank |
| 10 | 322507M2 | 1 | Cap |
| 10A | 411674M1 | 1 | Fuel Filter |
| 11 | 1700180M1 | 1 | Gasket |
| 12 | 321019M1 | X | Gasket |
| 13 | 339153X1 | 2 | Screw Metric |
| 14 | 390321X1 | 1 | Union |
| 15 | 390138X1 | 1 | Screw |
| 16 | 339655X1 | 2 | Gasket |
| 17 | 410466M1 | 1 | Pipe |
| 18 | 410465M1 | 1 | Tube |
| 19 | 619090M1 | 1 | Clip |
| 20 | 391484X1 | 1 | Screw Metric |
| 21 | 339375X1 | 1 | Lock Washer |
| 22 | 339030X1 | 1 | Nut Metric |
| 23 | 41374425 | 1 | Container |
| 24 | 619088M1 | 1 | Strap |
| 25 | 353501X1 | 2 | Screw Unf |
| 26 | 339714X1 | 2 | Washer |
| 27 | 619086M2 | 1 | Tube |
| 28 | 619087M2 | 1 | Tube |
| 29 | 410396M1 | 1 | Tube |
| 30 | 619091M1 | 1 | Strap |
| 31 | 353557X1 | 1 | Screw Unf |
| 32 | 339369X1 | 1 | Lock Washer |
| 33 | 390549X1 | 2 | Clip |
| 34 | 417880M1 | 11 | Cock |



883

Mähdrösch MF 31

415 718 M2 (Ausgabe 1) 12/70

MASSEY FERGUSON
MF 31 COMBINE - 415718

415718

ENGINE HOOD - VW

20-12

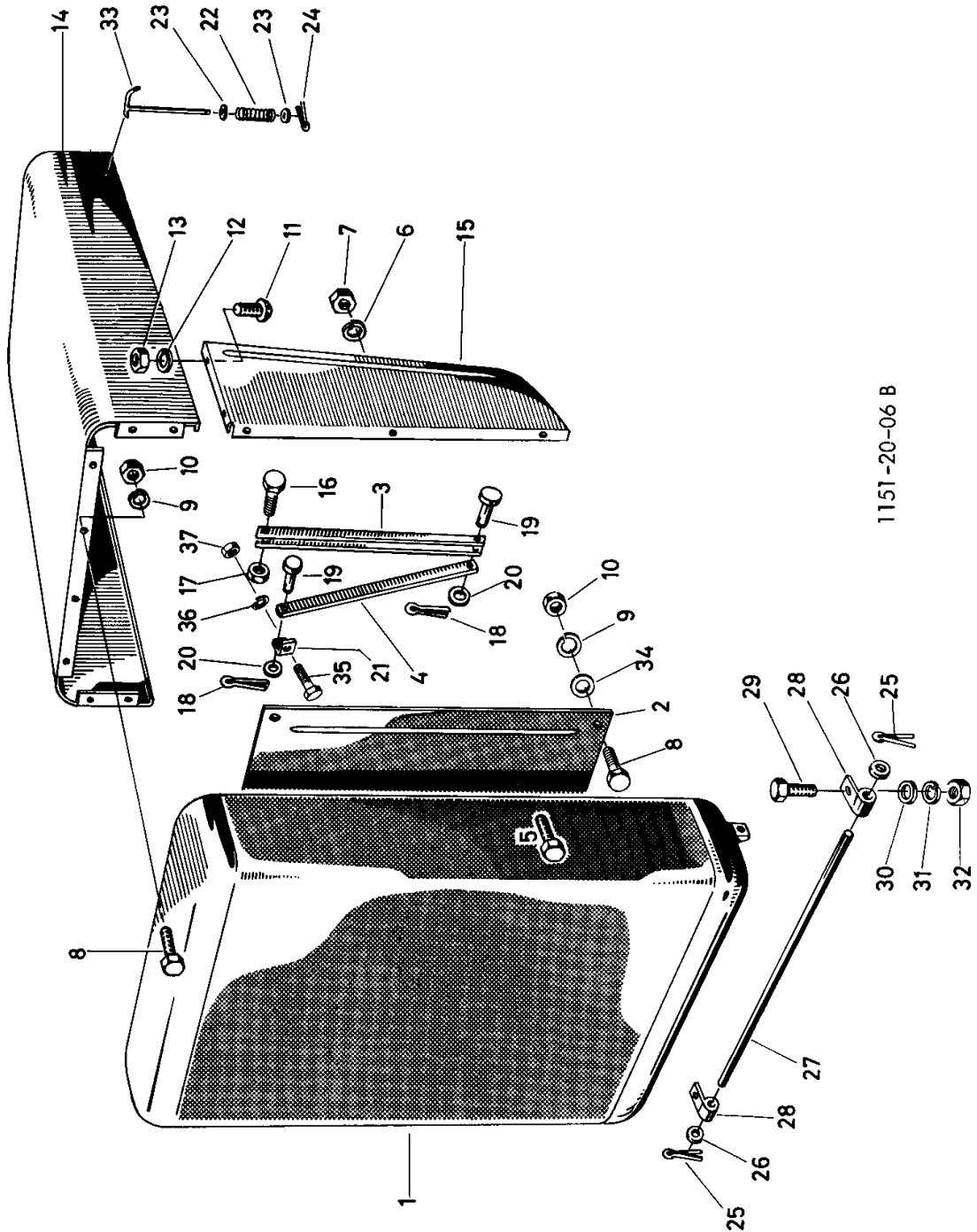
| Item | Part Number | Qty | Description | Comments |
|------|-------------|-----|--------------|----------|
| 1 | 323937M91 | 1 | Support | (A) |
| | 411559M92 | 1 | Support | (B) |
| | 411559M92 | 1 | Support | |
| 2 | 391483X1 | 6 | Screw Metric | |
| 3 | 339375X1 | 6 | Lock Washer | |
| 4 | 339030X1 | 6 | Nut Metric | |
| 6 | 323939M1 | 1 | Clip | (A) |
| | 411561M2 | 1 | Clip | (B) |
| | 411561M2 | 1 | Clip | |
| 7 | 339375X1 | 2 | Lock Washer | |
| 8 | 339030X1 | 2 | Nut Metric | |
| 9 | 339232X1 | 4 | Pin | |
| 10 | 410081M92 | 1 | Hood | |
| 11 | 323840M91 | 1 | Frame | |
| 12 | 323868M91 | 1 | Frame | |
| 13 | 323915M1 | 1 | Grommet | |
| 14 | 339560X1 | 2 | Screw Metric | |
| 15 | 339375X1 | 2 | Lock Washer | |
| 16 | 339030X1 | 2 | Nut Metric | |

(A)

Up to Serial or Engine Number 9751

(B)

From Serial or Engine Number 9752



**MASSEY FERGUSON
MF 31 COMBINE - 415718**

415718

ENGINE HOOD - PERKINS

20-13

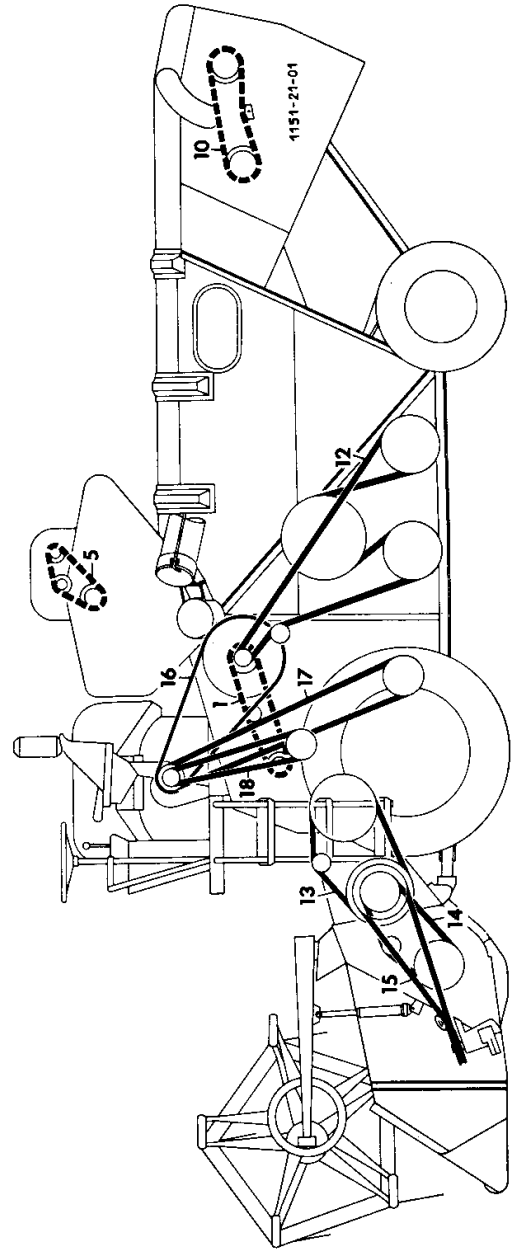
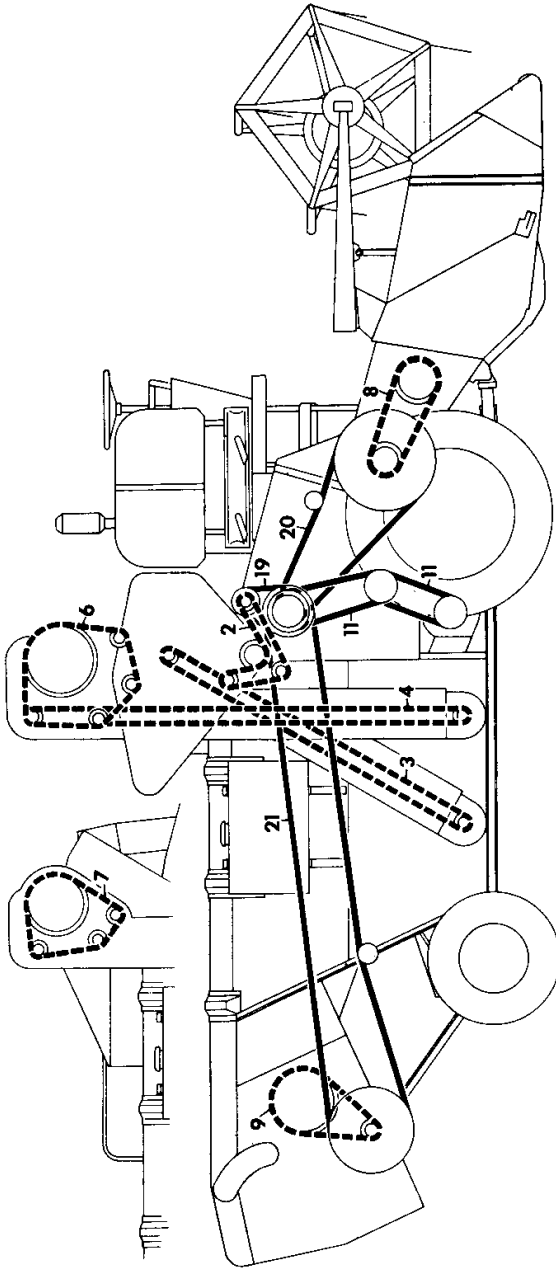
| Item | Part Number | Qty | Description |
|------|-------------|-----|---------------|
| | 410328M93 | 1 | Hood |
| 1 | 619039M92 | 1 | Pre Filter |
| 2 | 614880M1 | 1 | Deflector |
| 3 | 614877M1 | 1 | Support |
| 4 | 614879M1 | 1 | Support |
| 5 | 339230X1 | 2 | Screw Metric |
| 6 | 339375X1 | 2 | Lock Washer |
| 7 | 339030X1 | 2 | Nut Metric |
| 8 | 339124X1 | 11 | Screw Metric |
| 9 | 339374X1 | 11 | Lock Washer |
| 10 | 339169X1 | 11 | Nut Metric |
| 11 | 339112X1 | 2 | Screw Metric |
| 12 | 339382X1 | 2 | Lock Washer |
| 13 | 339111X1 | 2 | Nut |
| 14 | 619034M91 | 1 | Hood |
| 15 | 614881M1 | 1 | Guard |
| 16 | 33966X1 | 1 | Bolt |
| 17 | 339030X1 | 1 | Nut Metric |
| 18 | 339851X1 | 2 | Pin |
| 19 | 339850X1 | 2 | Pin |
| 20 | 339692X1 | 2 | Washer |
| 21 | 411312M1 | 1 | Angle |
| 22 | 1706012M1 | 2 | Spring |
| 23 | 339588X1 | 4 | Washer |
| 24 | 339087X1 | 2 | Pin |
| 25 | 339058X1 | 2 | Pin |
| 26 | 339704X1 | 2 | Washer |
| 27 | 324014M1 | 1 | Rod |
| 28 | 619153M91 | 2 | Hinge |
| 29 | 339401X1 | 2 | Screw Metric |
| 30 | 339025X1 | 2 | Washer Metric |
| 31 | 339376X1 | 2 | Lock Washer |
| 32 | 339402X1 | 2 | Nut Metric |
| 33 | 324023M91 | 2 | Stem |
| 34 | 339609X1 | 4 | Washer |
| 35 | 339560X1 | 1 | Screw Metric |
| 36 | 339375X1 | 1 | Lock Washer |
| 37 | 339030X1 | 1 | Nut Metric |

21-1

TREIBRIEMEN UND KETTEN

DRIVE BELTS AND CHAINS

COURROIES ET CHAINES



Mähdrescher MF 31

415 718 M2 (Ausgabe 1) 12/70

DRIVE BELTS AND CHAINS

| Item | Part Number | Qty | Description | Comments |
|------|-------------|-----|-------------|---|
| 1 | 410815M91 | 1 | Chain | Not serviced, order 416384M91 * (A, B) |
| | | | Chain | |
| | 323688M92 | AR | Extension | Number of teeth/spines 22 * (A, B) |
| | 323690M92 | AR | Extension | Number of teeth/spines 25 * (A, B) |
| | 323688M92 | AR | Extension | Number of teeth/spines 29 * (A, B) |
| | 323690M92 | AR | Extension | Number of teeth/spines 29 * (A, B) |
| | 323692M92 | AR | Extension | Number of teeth/spines 34 * (A, B) |
| | 323694M92 | AR | Extension | Number of teeth/spines 45 * (A, B) |
| | 323694M92 | AR | Extension | Number of teeth/spines 54 * (A, B) |
| | 323690M92 | AR | Extension | Number of teeth/spines 54 * (A, B) |
| | 416384M91 | 1 | Chain | ** (A, B) |
| | | | Chain | |
| | 416385M91 | AR | Extension | Number of teeth/spines 22 ** (A, B) |
| | 416386M91 | AR | Extension | Number of teeth/spines 25 ** (A, B) |
| | 416385M91 | AR | Extension | Number of teeth/spines 29 ** (A, B) |
| | 416386M91 | AR | Extension | Number of teeth/spines 29 ** (A, B) |
| | 416387M91 | AR | Extension | Number of teeth/spines 34 ** (A, B) |
| | 416388M91 | AR | Extension | Number of teeth/spines 45 ** (A, B) |
| | 416388M91 | AR | Extension | Number of teeth/spines 54 ** (A, B) |
| | 416386M91 | AR | Extension | Number of teeth/spines 54 ** (A, B) |
| 2 | 410703M1 | 1 | Chain | 118 LINKS (A) |
| | 411928M91 | 1 | Chain | 116 LINKS (A) |
| 3 | 410169M91 | 1 | Chain | 94 LINKS (A, B) |
| 4 | 410170M91 | 1 | Chain | 112 LINKS (A) |
| | 411820M91 | 1 | Chain | 120 LINKS (A) |
| | 410169M91 | 1 | Chain | 94 LINKS (B) |
| | 410169M91 | 1 | Chain | 94 LINKS (A) |
| | 411843M91 | 1 | Chain | 102 LINKS (A) |
| 5 | 411203M1 | 1 | Chain | 23 LINKS (A) |
| 6 | 324780M91 | 1 | Chain | 57 LINKS (A) |
| 7 | 411390M1 | 1 | Chain | 51 LINKS (B) |
| 8 | 410934M91 | 1 | Chain | (A, B) |
| 9 | 325776M91 | 1 | Chain | (A, B) |
| 10 | 325777M91 | 1 | Chain | (A, B) |
| 11 | 402604M1 | 2 | Belt | (A, B) |
| 12 | 410647M1 | 1 | Belt | (A, B) |
| 13 | 410957M1 | 1 | Belt | (A, B) |
| 14 | 410958M1 | 1 | Belt | (A, B) |
| 15 | 410959M1 | 1 | Belt | (A, B) |
| 16 | 410617M1 | 1 | Belt | (A, B) |
| 17 | 411218M1 | 1 | Belt | (A, B) |
| 18 | 411125M1 | 1 | Belt | (A, B) |

MASSEY FERGUSON
MF 31 COMBINE - 415718

415718

DRIVE BELTS AND CHAINS

21-1

| Item | Part Number | Qty | Description | Comments |
|------|-------------|-----|-------------|----------|
| 19 | 411020M1 | 1 | Belt | (A) |
| 20 | 410919M1 | 1 | Belt | (A) |
| 21 | 405928M1 | 1 | Belt | (A, B) |

(A)

TANK MACHINES

(B)

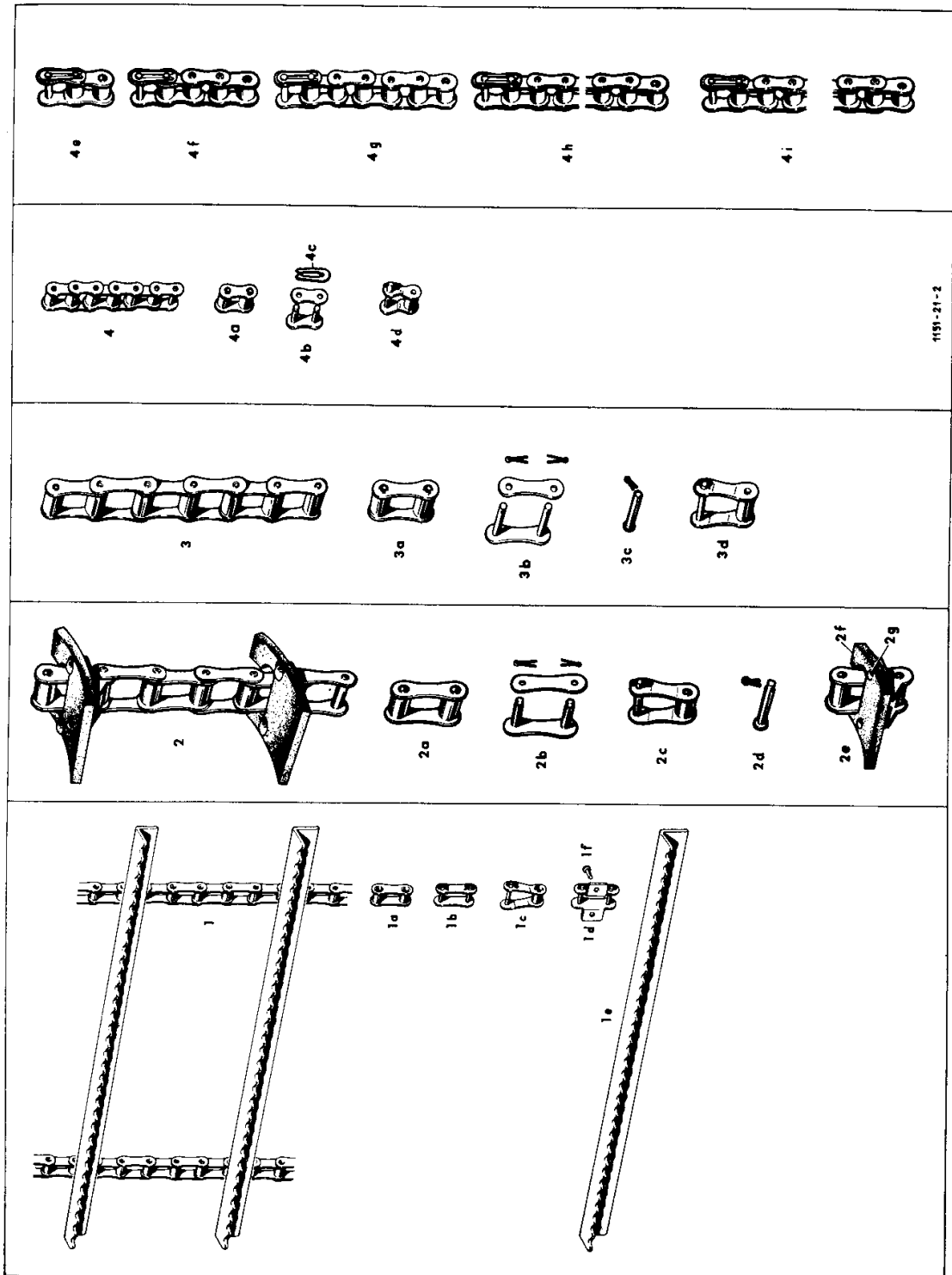
BAGGER MACHINES

WITHOUT PLASTIC SLEEVES

**

WITH PLASTIC SLEEVES

USE ONLY CHAIN EXTENSIONS TOGETHER WITH CHAINS OF SAME TYPE.



CHAINS AND LINKS

| Item | Part Number | Description | Comments |
|------|-------------|-----------------|---------------------------|
| 1 | 410934M91 | Chain | |
| 1A | 329312M91 | Link | |
| 1B | 329315M91 | Link | |
| 1C | 329316M91 | Cranked Link | |
| 1D | 329868M91 | Link | |
| 1E | 410935M1 | Strap | |
| 1F | 339086X1 | Rivet | |
| 2 | 410170M91 | Chain | |
| | 410169M91 | Chain | |
| | 411820M91 | Chain | |
| | 411843M91 | Chain | |
| 2A | 329176M91 | Link | |
| 2B | 329797M91 | Connecting Link | |
| 2C | 329179M91 | Link | |
| 2D | 329847M91 | Clevis Pin | |
| 2E | 410172M91 | Link | |
| 2F | 320335M1 | Plate | |
| 2G | 390062X1 | Rivet | |
| 3 | 324780M91 | Chain | |
| | 411203M1 | Chain | |
| | 411390M1 | Chain | |
| 3A | 329838M91 | Link | |
| 3B | 329199M91 | Link | |
| 3C | 329848M91 | Clevis Pin | |
| 3D | 329200M91 | Cranked Link | |
| 4 | 410703M1 | Chain | |
| | 411928M91 | Chain | |
| 4A | 329403M91 | Link | |
| 4B | 329407M91 | Link | |
| 4C | 329384M1 | Clip | |
| 4 | 325776M91 | Chain | |
| | 325777M91 | Chain | |
| 4A | 329257M91 | Link | |
| 4B | 329262M91 | Link | |
| 4C | 329255M1 | Tie | |
| 4D | 329266M91 | Cranked Link | |
| 4 | 410815M91 | Chain | |
| 4E | 323688M92 | Extension | Number of teeth/spines 22 |
| 4F | 323690M92 | Extension | Number of teeth/spines 25 |
| 4G | 323688M92 | Extension | Number of teeth/spines 29 |
| | 323690M92 | Extension | Number of teeth/spines 29 |
| 4H | 323692M92 | Extension | Number of teeth/spines 34 |
| 4I | 323694M92 | Extension | Number of teeth/spines 45 |
| | 323694M92 | Extension | Number of teeth/spines 54 |
| | 323690M92 | Extension | Number of teeth/spines 54 |
| 4A | 329558M91 | Link | |
| 4B | 329560M91 | Link | |
| 4C | 329057M1 | Spring | |
| 4 | 416384M91 | Chain | ** |
| 4E | 416385M91 | Extension | ** |
| | | | Number of teeth/spines 22 |
| 4F | 416386M91 | Extension | ** |
| | | | Number of teeth/spines 25 |
| 4G | 416385M91 | Extension | ** |
| | | | Number of teeth/spines 29 |
| | 416386M91 | Extension | ** |
| | | | Number of teeth/spines 29 |
| 4H | 416387M91 | Extension | ** |
| | | | Number of teeth/spines 34 |
| 4I | 416388M91 | Extension | ** |
| | | | Number of teeth/spines 45 |
| | 416388M91 | Extension | ** |

CHAINS AND LINKS

| Item | Part Number | Description | Comments |
|------|-------------|-----------------|---------------------------------|
| | 416386M91 | Extension | Number of teeth/spines 54 ** |
| 4A | 329972M91 | Link | Number of teeth/spines 54 ** |
| 4B | 329277M91 | Connecting Link | ** |
| 4C | 329057M1 | Spring | ** |
| 4D | 329973M91 | Link | ** |

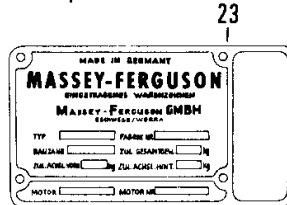
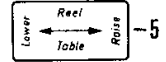
WITHOUT PLASTIC SLEEVES

**

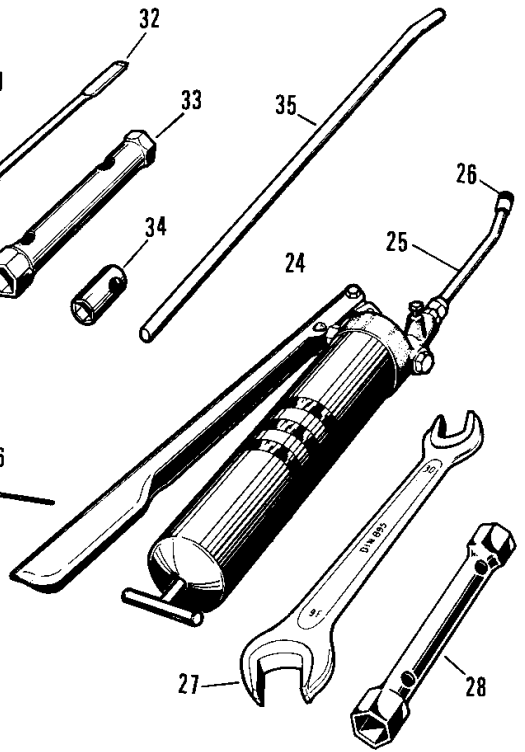
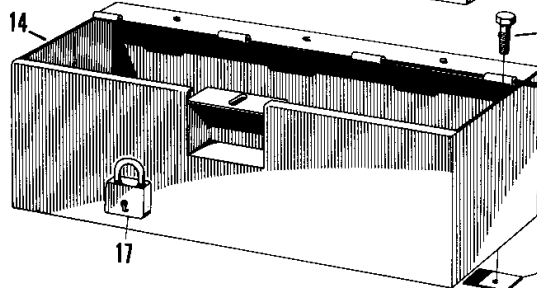
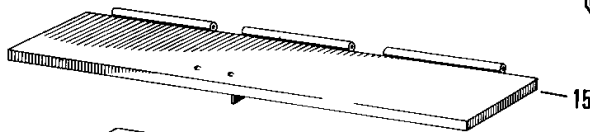
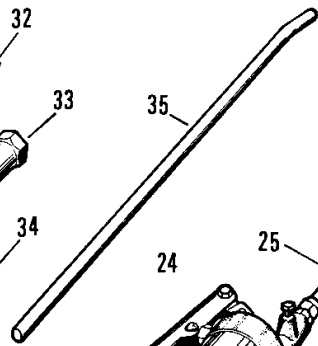
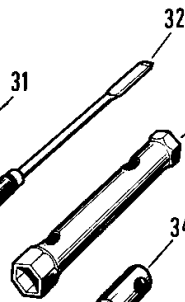
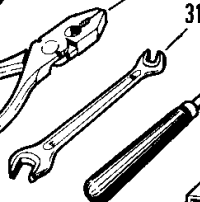
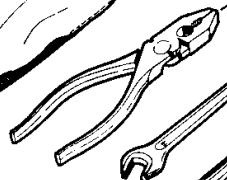
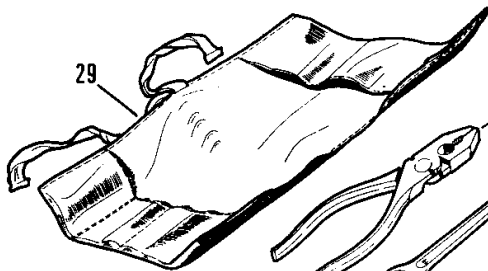
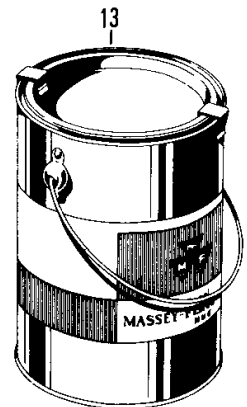
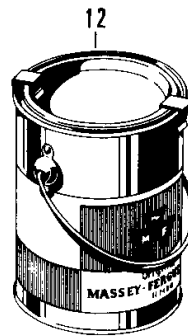
WITH PLASTIC SLEEVES

USE ONLY CHAIN EXTENSIONS TOGETHER WITH CHAINS OF SAME TYPE.

MASSEY-FERGUSON



HÄNDE WEG! GEFAHRENSTELLE



885

TRANSFERS AND TOOLS

| Item | Part Number | Qty | Description | Comments |
|------|-------------|-----|--------------|----------|
| 1 | 196201M1 | 1 | Transfer | |
| | 196222M1 | 2 | Transfer | |
| 2 | 196218M1 | 1 | Decal | |
| | 196219M1 | 1 | Decal | (C) |
| | 196219M1 | 1 | Decal | |
| 3 | 410221M1 | 2 | Decal | (G) |
| 4 | 410230M1 | 1 | Decal | (D) |
| 5 | 410246M1 | 1 | Transfer | (E) |
| 10 | 328745M1 | X | Spray | |
| 11 | 411350M1 | X | Mf Red | |
| 12 | 411351M1 | X | Mf Red | |
| 13 | 411352M1 | X | Mf Red | |
| 14 | 411337M92 | 1 | Tool Box | |
| 15 | 411345M91 | 1 | Door | |
| 16 | 411348M1 | 1 | Rod | |
| 17 | 321494M2 | 1 | Pad | |
| 18 | 411441M1 | 1 | Shim | (B) |
| 19 | 339123X1 | 4 | Screw Metric | |
| 20 | 339374X1 | 4 | Lock Washer | |
| 21 | 339169X1 | 4 | Nut Metric | |
| 22 | 415703M1 | 2 | Decal | (H) |
| 23 | 324292M4 | 1 | Nameplate | |
| | 903084M2 | 1 | Nameplate | (F) |
| | 391349X1 | 4 | Rivet | |
| 24 | 320678M1 | 1 | Pump | |
| 25 | 1700124M1 | 1 | Tube | |
| 26 | 1700125M1 | 1 | Stub | |
| 27 | 390184X1 | 1 | Wrench | 9 X 11 |
| | 390860X1 | 1 | Wrench | 19 X 24 |
| | 322686M1 | 1 | Wrench | 17 X 19 |
| | 322687M1 | 1 | Spanner | 22 X 24 |
| | 323485M1 | 1 | Spanner | 30 X 36 |
| | 391108X1 | 1 | Wrench | 13 X 14 |
| 28 | 391113X1 | 1 | Spanner | |
| 29 | 321492M2 | 1 | Tool Bag | (A) |
| 30 | | 1 | Pliers | (A) |
| 31 | | 1 | Wrench | (A) |
| 32 | | 1 | Screw | (A) |
| 33 | 1700115M1 | 1 | Spanner | (A) |
| 34 | 1700118M1 | 1 | Spanner | (A) |
| 35 | 1700116M1 | 1 | Tommy Screw | (A) |

(A)
FOR VW ENGINE ONLY

(B)

FOR TANK MACHINES ONLY

(C)

ROTARY SCREEN, AUSTRIA

(D)

GERMAN

(E)

ENGLISH

(F)

FRENCH

(G)

Up to Serial or Engine Number

(H)

From Serial or Engine Number

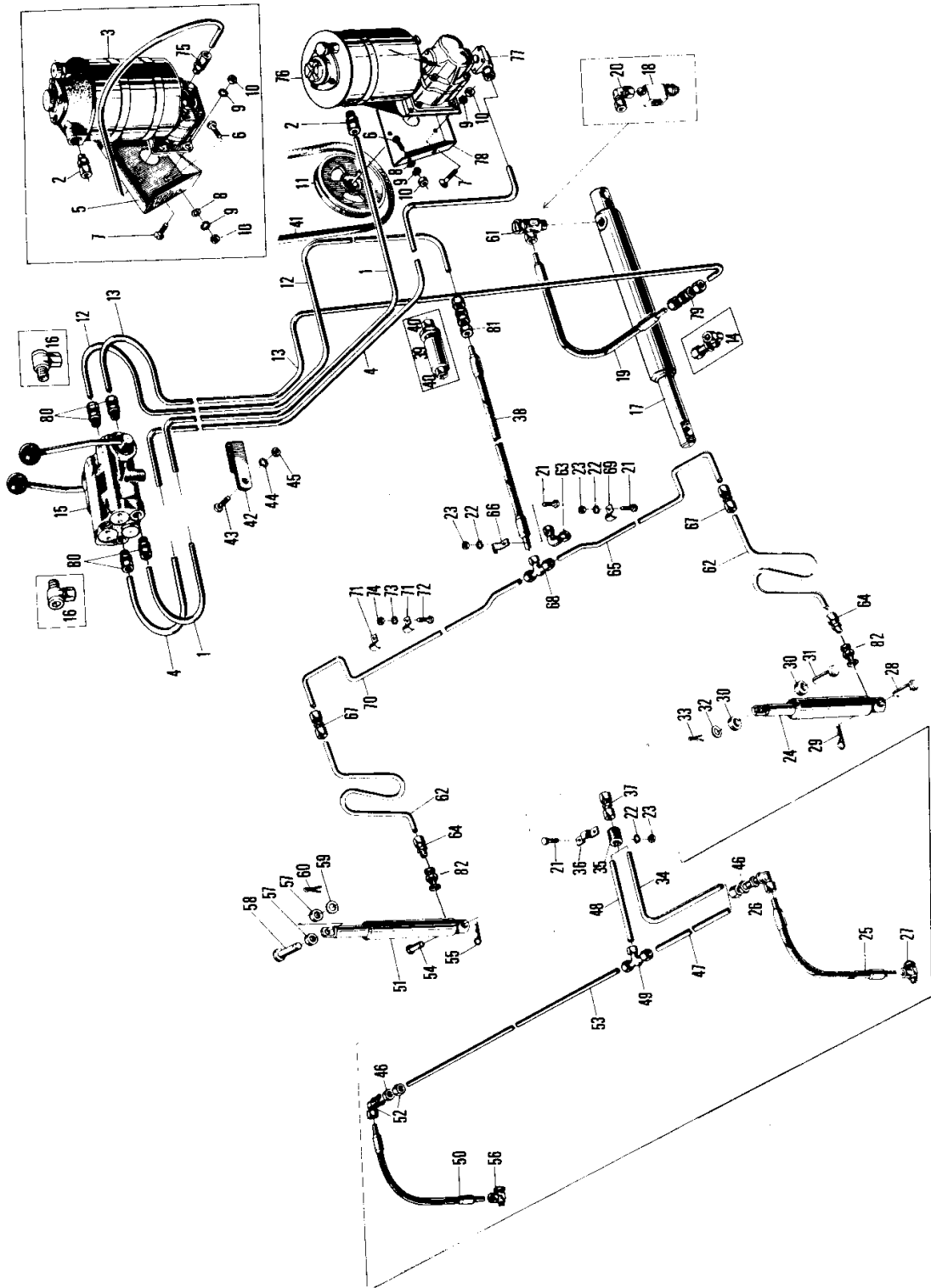
MF 31 COMBINE - 415718

70-1

HYDRAULIKANLAGE

HYDRAULIC EQUIPMENT

EQUIPEMENT HYDRAULIQUE



Mähdrösch MF 31

415 718 M2 (Ausgabe 3) 1/75

HYDRAULIC EQUIPMENT

| Item | Part Number | Qty | Description | Comments |
|------|-------------|-----|---------------|--|
| 1 | 411124M1 | 1 | Tube | (J) |
| | 417735M1 | 1 | Tube | (K) |
| 2 | 402414M1 | 1 | Union | |
| | 339526X1 | 1 | Seal | |
| 3 | 402178M1 | 1 | Pump | (J) See Page - Reference Number 70-8 |
| 4 | 411126M1 | 1 | Pipe | (J) |
| | 417736M1 | 1 | Tube | (K) |
| 5 | 411127M1 | 1 | Support | (J) |
| 6 | 339401X1 | 2 | Screw Metric | |
| 7 | 339509X1 | 4 | Screw Metric | |
| 8 | 391396X1 | 2 | Washer Metric | |
| 9 | 339376X1 | 6 | Lock Washer | |
| 10 | 339402X1 | 6 | Nut Metric | |
| 11 | 411128M1 | 1 | Pulley | (J) |
| | 417739M1 | 1 | Pulley | (K) |
| 12 | 411129M1 | 1 | Tube | |
| | 414512M1 | 1 | Pipe | (J) |
| | 417296M1 | 1 | Pipe | (K) |
| 13 | 411134M1 | 1 | Tube | (J) |
| | 417297M1 | 1 | Tube | (K) |
| 14 | 390065X1 | 1 | Connection | (J) |
| 15 | 410133M1 | 1 | Distributor | See Page - Reference Number 70-7 |
| 16 | 413349M1 | 4 | Connection | (J) |
| | 339526X1 | 4 | Seal | |
| 17 | | 1 | Ram | (N) See Page - Reference Number 70-6 |
| | | 1 | Ram | (N) See Page - Reference Number 70-6 |
| | 1748078M92 | 1 | Ram | (O) See Page - Reference Number 70-6B |
| 18 | 4130205M1 | 1 | Cock | (C) |
| 19 | 411309M1 | 1 | Hydr Hose | (C) |
| | 401629M1 | 1 | Hose | (D) |
| 20 | 390849X1 | 1 | Connection | (C) |
| 21 | 339560X1 | 2 | Screw Metric | |
| 22 | 339375X1 | 2 | Lock Washer | |
| 23 | 339030X1 | 2 | Nut Metric | |
| 24 | | 1 | Ram | (J) See Page - Reference Number 70-6A |
| | | 1 | Ram | See Page - Reference Number 70-6A |
| | 1748022M93 | 1 | Ram | (M) See Page - Reference Number 70-6C |
| 25 | 401631M2 | 1 | Hydr Hose | (G) |
| 26 | 390065X1 | 1 | Connection | (G) |
| 27 | 413349M1 | 1 | Connection | (G) |
| | 339526X1 | 1 | Seal | |
| 28 | 390081X1 | 1 | Pin | |
| 29 | 327669M1 | 1 | Pin | |
| 30 | 411042M2 | 2 | Sleeve | (E) |
| 31 | 339707X1 | 1 | Clevis Pin | (E) |
| | 390070X1 | 1 | Bolt | (F) |
| 32 | 339027X1 | 1 | Washer Metric | |
| 33 | 339058X1 | 1 | Pin | |
| 34 | 411053M1 | 1 | Tube | (A, G) |
| 35 | 320507M1 | 1 | Sleeve | (G) |
| 36 | 390057X1 | 1 | Clip | (G) |
| 37 | 390063X1 | 1 | Connection | |
| 38 | 401628M1 | 1 | Hose | (G) |
| | 414688M2 | 1 | Hose | (H, J) |
| | 401631M2 | 1 | Hydr Hose | (K) |
| 39 | 413353M91 | 1 | Union | (J) |
| 40 | 339995X1 | 2 | Union | (J) |
| | 339994X1 | 2 | Olive | (J) |
| 41 | 411125M1 | 1 | Belt | |
| 42 | 411142M1 | 1 | Clip | |
| 43 | 339123X1 | 1 | Screw Metric | |
| 44 | 339374X1 | 1 | Lock Washer | |
| 45 | 339169X1 | 1 | Nut Metric | |
| 46 | 339617X1 | 2 | Nut Metric | (B, G) |

HYDRAULIC EQUIPMENT

| Item | Part Number | Qty | Description | Comments |
|------|-------------|-----|---------------|---|
| 47 | 411447M1 | 1 | Tube | (B, G) |
| 48 | 402715M2 | 1 | Tube | (B, G) |
| 49 | 390052X1 | 1 | Union | (B, G) |
| 50 | 401631M2 | 1 | Hydr Hose | (B, G) |
| 51 | | 1 | Ram | (B, J) |
| | | 1 | Ram | See Page - Reference Number 70-6A (B, L) |
| | 1748022M93 | 1 | Ram | See Page - Reference Number 70-6A (B, M) |
| | | | | See Page - Reference Number 70-6C |
| 52 | 390065X1 | 1 | Connection | (B, G) |
| 53 | 411448M1 | 1 | Tube | Right Hand (B, G) |
| | 390082X1 | 1 | Bracket | (B, G) |
| | 339123X1 | 1 | Screw Metric | (B, G) |
| | 339374X1 | 1 | Lock Washer | (B, G) |
| | 339169X1 | 1 | Nut Metric | (B, G) |
| 54 | 390081X1 | 1 | Pin | (B) |
| 55 | 327669M1 | 1 | Pin | (B) |
| 56 | 413349M1 | 1 | Connection | (B, G) |
| | 339526X1 | 1 | Seal | (B) |
| 57 | 411042M2 | 2 | Sleeve | (B, E) |
| 58 | 339707X1 | 1 | Clevis Pin | (B, F) |
| | 390070X1 | 1 | Bolt | (B, F) |
| 59 | 339027X1 | 1 | Washer Metric | (B) |
| 60 | 339058X1 | 1 | Pin | (B) |
| 61 | 413349M1 | 1 | Connection | (B, D) |
| | 339526X1 | 1 | Seal | (B, D) |
| 62 | 415094M1 | 2 | Tube | (H) |
| 63 | 414679M1 | 1 | Connection | (A, H) |
| 64 | 415090M1 | 2 | Union | (H) |
| | 339526X1 | 2 | Seal | |
| | 1442426X1 | 2 | Union | (O) |
| 65 | 414677M1 | 1 | Pipe | (A, H) |
| | 414675M1 | 1 | Tube | (B, H) |
| 66 | 415092M1 | 1 | Tie | (H) |
| 67 | 415089M1 | 2 | Union | (H) |
| 68 | 415091M1 | 1 | Connection | (B, H) |
| 69 | 327201M1 | 1 | Clip | (B, H) |
| 70 | 414676M1 | 1 | Tube | Right Hand (B, H) |
| 71 | 327201M1 | 2 | Clip | (B, H) |
| 72 | 339560X1 | 2 | Screw Metric | (B, H) |
| 73 | 339375X1 | 2 | Lock Washer | (B, H) |
| 74 | 339030X1 | 2 | Nut Metric | (B, H) |
| 75 | 402414M1 | 1 | Union | (J) |
| 76 | 417737M1 | 1 | Pump | (K) |
| | | | | See Page - Reference Number 70-9 |
| 77 | 417732M1 | 1 | Connection | (K) |
| 78 | 417738M1 | 1 | Support | (K) |
| 79 | 339993X1 | 1 | Connection | (K) |
| 80 | 402414M1 | 4 | Union | (K) |
| | 401625M1 | 4 | Washer | |
| 81 | 339993X1 | 1 | Connection | (K) |
| 82 | 1726011M1 | 2 | Union | (O) |
| | 339526X1 | 2 | Seal | (O) |
| | | | | (A) |
| | | | | 6' TABLE |
| | | | | (B) |
| | | | | 7' TABLE |
| | | | | (C) |
| | | | | Up to Serial or Engine Number 1788 |
| | | | | (D) |
| | | | | From Serial or Engine Number 1789 |
| | | | | (E) |
| | | | | Up to Serial or Engine Number 2243 |
| | | | | (F) |
| | | | | From Serial or Engine Number 2244 |
| | | | | (G) |
| | | | | Up to Serial or Engine Number 4634 |

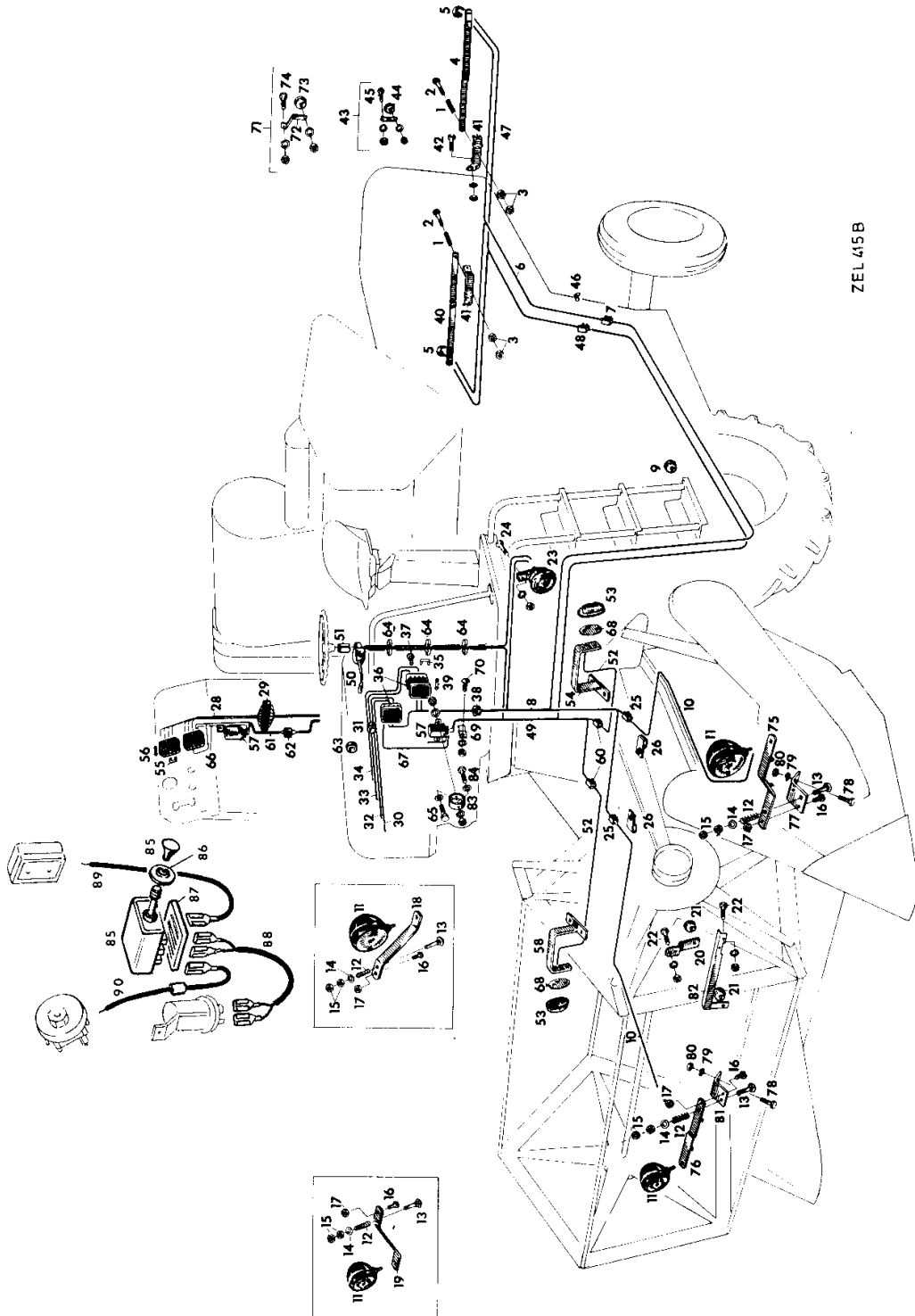
| Item | Part Number | Qty | Description | Comments |
|------|-------------|-----|-------------|---|
| | | | | (H) From Serial or Engine Number 4635 |
| | | | | (J) Up to Serial or Engine Number 8109 |
| | | | | (K) From Serial or Engine Number 8110 |
| | | | | (L) From Serial or Engine Number 8110 Up to Serial or Engine Number TB10098 |
| | | | | (M) From Serial or Engine Number TB10099 |
| | | | | (N) Up to Serial or Engine Number WB10521 |
| | | | | (O) From Serial or Engine Number WB10522 |

70-2

BELEUCHTUNG UND
BLINKANLAGE

LIGHTING AND
BLINKING EQUIPMENT

ECLAIRAGE ET
SIGNALISATION



Mähdrescher MF 31

415 718 M2 (Ausgabe 2) 10/73

**MASSEY FERGUSON
MF 31 COMBINE - 415718**

415718

70-2

LIGHTING AND BLINKING EQUIPMENT

| Item | Part Number | Qty | Description | Comments |
|------|-------------|-----|----------------|------------------------|
| 1 | 1706040M1 | 2 | Spring | |
| 2 | 339418X1 | 2 | Bolt Metric | |
| 3 | 339169X1 | 4 | Nut Metric | |
| 4 | 411238M91 | 1 | Bracket | Left Hand (A, C, E) |
| | 411936M91 | 1 | Bracket | Left Hand (A, C, F) |
| | 411248M91 | 1 | Bracket | Left Hand (B, D, E) |
| | 411934M91 | 1 | Bracket | Left Hand (B, D, F) |
| 5 | 327844M1 | 2 | Light | (K) |
| | 406204M1 | 2 | Lamp | (K) |
| | 412912M1 | 2 | Bulb | (A, B) |
| | 327711M1 | 2 | Bulb | (C, D) |
| | 410390M1 | 2 | Bulb | (A, B) |
| | 405813M1 | 2 | Bulb 2w Instr. | (C, D) |
| 6 | 411294M2 | 1 | Harness | (A, C) |
| | 411260M2 | 1 | Harness | (B, D) |
| 7 | 328999M1 | 1 | Connector | |
| 8 | 411240M2 | 2 | Reflector | |
| 9 | 321563M3 | 2 | Reflector | |
| 10 | 411293M2 | 2 | Harness | (G) |
| | 411482M2 | 2 | Harness | (H) |
| 11 | 403213M1 | 2 | Light | (P) |
| | 403212M1 | 2 | Light | (P) |
| | 320824M1 | 2 | Bulb | (A, B) |
| | 322795M1 | 2 | Bulb | (C, D) |
| | 320863M1 | 2 | Bulb | (A, B) |
| | 326917M1 | 2 | Bulb | (C, D) |
| 12 | 1706040M1 | 2 | Spring | |
| 13 | 339256X1 | 2 | Bolt Metric | |
| 14 | 339056X1 | 2 | Washer Metric | |
| 15 | 339169X1 | 4 | Nut Metric | |
| 16 | 391484X1 | 2 | Screw Metric | |
| 17 | 339030X1 | 2 | Nut Metric | |
| 18 | 412888M91 | 1 | Support | (E) Left Hand |
| 19 | 411291M91 | 1 | Support | (E) Right Hand |
| 20 | 403214M1 | 1 | Bracket | (L) Right Hand |
| 21 | 321563M3 | 1 | Reflector | (Q) |
| 22 | 339123X1 | 2 | Screw Metric | |
| | 339374X1 | 2 | Lock Washer | |
| | 339169X1 | 2 | Nut Metric | |
| 23 | 320811M1 | 1 | Horn | (A, B, N) |
| | 416360M1 | 1 | Horn | (A, B, O) |
| | 322798M1 | 1 | Horn | (C, D, N) |
| | 416361M1 | 1 | Horn | (C, D, O) |
| 24 | 339123X1 | 1 | Screw Metric | |
| | 339374X1 | 1 | Lock Washer | |
| | 339169X1 | 1 | Nut Metric | |
| 25 | 328999M1 | 2 | Connector | |
| 26 | 619091M1 | 2 | Strap | |
| 28 | 410325M1 | 1 | Harness | (C, D) |
| 29 | 328999M1 | 1 | Connector | (C, D) |
| 30 | 323906M1 | 1 | Cable | (A, B) |
| 31 | 327129M1 | 1 | Grommet | (A, B) |
| 32 | 410271M1 | 1 | Cable | (A, B) |
| 33 | 323907M2 | 1 | Cable | (A, B) |
| 34 | 323908M1 | 1 | Cable | (A, B) |
| 35 | 320823M1 | 4 | Rail | (A, B) |
| 36 | 320809M2 | 2 | Box | (A, B) |
| 37 | 339112X1 | 4 | Screw Metric | (A, B) |
| | 339382X1 | 4 | Lock Washer | (A, B) |
| | 339111X1 | 4 | Nut | (A, B) |
| 38 | 321011M1 | 1 | Grommet | |
| 39 | 320810M2 | 8 | Fuse | (A, B) |
| 40 | 411245M91 | 1 | Bracket | Right Hand |

**MASSEY FERGUSON
MF 31 COMBINE - 415718**

415718

70-2

LIGHTING AND BLINKING EQUIPMENT

| Item | Part Number | Qty | Description | Comments |
|------|-------------|-----|----------------|-------------------------|
| | 411938M91 | 1 | Bracket | (A, C, E) Right Hand |
| | 411248M91 | 1 | Bracket | (A, C, F) Right Hand |
| | 411934M91 | 1 | Bracket | (B, D, E) Right Hand |
| 41 | 411247M1 | 2 | Bracket | (B, D, F) (A, C) |
| 42 | 339666X1 | 4 | Screw Metric | (A, C) |
| | 339375X1 | 4 | Lock Washer | (A, C) |
| | 339030X1 | 4 | Nut Metric | (A, C) |
| 43 | 410361M91 | 1 | Reflector | (B, D, Q) |
| 44 | 321563M3 | 1 | Reflector | (B, D, Q) |
| 45 | 339721X1 | 1 | Screw Metric | (B, D, Q) |
| | 339381X1 | 1 | Lock Washer | (B, D, Q) |
| | 339029X1 | 1 | Nut | (B, D, Q) |
| 46 | 323760M1 | 2 | Clip | (A, C) |
| 47 | 411294M2 | 1 | Harness | (A, C) |
| | 411260M2 | 1 | Harness | (B, D) |
| 48 | 328999M1 | 1 | Connector | |
| 49 | 411255M1 | 1 | Harness | (C, D, R) |
| | 416362M1 | 1 | Cable | (A, B, O, R) |
| 50 | 324134M1 | 1 | Switch | (N) |
| | 416365M1 | 1 | Bulb | (A, B) |
| | 419040M1 | 1 | Bulb | (A, B) |
| | 403704M1 | 1 | Bulb 12v 2w | (C, D) |
| | 419264M1 | 1 | Bulb | (C, D) |
| 51 | 324138M1 | 2 | Spacer | |
| 52 | 411256M1 | 2 | Harness | (G) |
| | 411481M1 | 2 | Harness | (H) |
| 53 | 324130M1 | 2 | Flasher | |
| | 410390M1 | 2 | Bulb | (A, B) |
| | 405813M1 | 2 | Bulb 2w Instr. | (C, D) |
| 54 | 411257M92 | 1 | Bracket | Left Hand |
| 55 | 320823M1 | 1 | Rail | |
| 56 | 320810M2 | 1 | Fuse | |
| 57 | 416368M1 | 1 | Blinker Unit | (A, B, N) |
| | 416366M1 | 1 | Blinker Unit | (A, B, O) |
| | 416369M1 | 1 | Blinker Unit | (C, D, N) |
| | 406220M1 | 1 | Blinker | (C, D, O) |
| 58 | 411258M92 | 1 | Bracket | H |
| 60 | 328999M1 | 2 | Connector | |
| 61 | 410391M1 | 1 | Harness | (C, D, R) |
| | 1723189M1 | 1 | Harness | (C, D, S) |
| 62 | 328999M1 | 1 | Connector | (C, D) |
| 63 | 327129M1 | 1 | Grommet | (A, B) |
| 64 | 321591M1 | 3 | Band | |
| 65 | 339230X1 | 1 | Screw Metric | (A, B) |
| | 339375X1 | 1 | Lock Washer | (A, B) |
| | 339030X1 | 1 | Nut Metric | (A, B) |
| 66 | 410330M1 | 1 | Cable | (C, D, N) |
| | 416377M1 | 1 | Cable | (C, D, O, R) |
| | 1723187M1 | 1 | Harness | (C, D, S) |
| 67 | 324126M1 | 1 | Cable | (A, B, N) |
| | 416376M1 | 1 | Harness | (C, D, O, R) |
| | 1723188M1 | 1 | Harness | (C, D, S) |
| 68 | 413006M1 | 2 | Plate | (J) |
| 69 | 1441451X1 | 1 | Clip | (A, B) |
| 70 | 339112X1 | 1 | Screw Metric | Right Hand |
| | 339382X1 | 1 | Lock Washer | (A, B) |
| | 339111X1 | 1 | Nut | (A, B) |
| 71 | 411604M91 | 1 | Reflector | (A, C, Q) |
| 72 | 411605M1 | 1 | Bracket | (A, C, Q) |
| 73 | 321563M3 | 1 | Reflector | (A, C, Q) |
| 74 | 339560X1 | 1 | Screw Metric | (A, C, Q) |
| | 339375X1 | 1 | Lock Washer | (A, C, Q) |
| | 339030X1 | 1 | Nut Metric | (A, C, Q) |
| 75 | 411930M91 | 1 | Support | Left Hand |
| | | | | (F) |

LIGHTING AND BLINKING EQUIPMENT

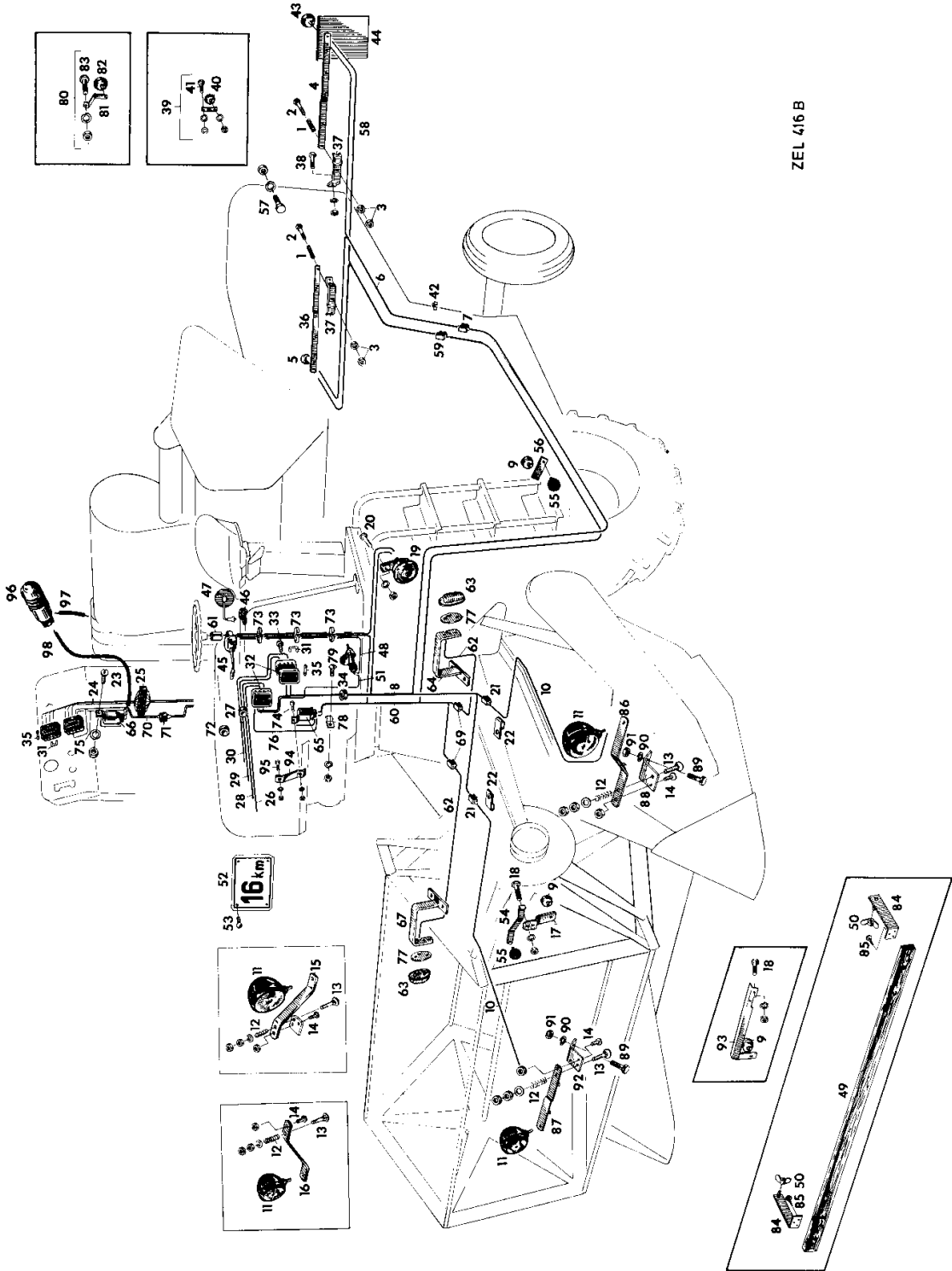
| Item | Part Number | Qty | Description | Comments |
|------|-------------|-----|---------------|------------------------------------|
| 76 | 411932M91 | 1 | Support | Right Hand (F) |
| 77 | 404964M1 | 1 | Bracket | Left Hand (F) |
| 78 | 339123X1 | 4 | Screw Metric | (F) |
| 79 | 339374X1 | 4 | Lock Washer | (F) |
| 80 | 339169X1 | 4 | Nut Metric | (F) |
| 81 | 404968M1 | 1 | Bracket | Right Hand (F) |
| 82 | 414639M91 | 1 | Support | (M, Q) |
| 83 | 414620M1 | 1 | Bracket | (N) |
| | 416363M1 | 1 | Ring | (O) |
| 84 | 339560X1 | 1 | Screw Metric | |
| | 390971X1 | 1 | Washer Metric | |
| | 339375X1 | 1 | Lock Washer | |
| | 339030X1 | 1 | Nut Metric | |
| 85 | 1723193M1 | 1 | Switch | (S) |
| | 1723192M1 | 1 | Switch | (S) |
| | 1723241M1 | 1 | Bulb | |
| | 403704M1 | 1 | Bulb 12v 2w | |
| 86 | 1724310M1 | 1 | Guard | (S) |
| 87 | 1724311M1 | 1 | Guard | (S) |
| 88 | 1723190M1 | 1 | Harness | (S) |
| 89 | 1723110M1 | 1 | Cable | (S) |
| 90 | 1723109M1 | 1 | Cable | (S) |
| | 1724363M91 | 1 | Blinker | (T, R) |
| | 1724364M91 | 1 | Blinker | (T, R) |
| | | | | (A) |
| | | | | WITHOUT PRESS - VW ENGINE |
| | | | | (B) |
| | | | | WITH PRESS - VW ENGINE |
| | | | | (C) |
| | | | | W/O PRESS - PERKINS ENGINE |
| | | | | (D) |
| | | | | WITH PRESS - PERKINS ENGINE |
| | | | | (E) |
| | | | | Up to Serial or Engine Number 3043 |
| | | | | (F) |
| | | | | From Serial or Engine Number 3044 |
| | | | | (G) |
| | | | | 6' TABLE |
| | | | | (H) |
| | | | | 7' TABLE |
| | | | | (J) |
| | | | | FOR BLINKER LIGHT BOSCH ONLY |
| | | | | (M) |
| | | | | From Serial or Engine Number 3760 |
| | | | | (N) |
| | | | | Up to Serial or Engine Number 6364 |
| | | | | (O) |
| | | | | From Serial or Engine Number 6365 |
| | | | | (Q) |
| | | | | Up to Serial or Engine Number |
| | | | | (R) |
| | | | | Up to Serial or Engine Number 9211 |
| | | | | (S) |
| | | | | From Serial or Engine Number 9212 |
| | | | | (T) |
| | | | | FOR SUPPLEMENTARY FITTING |

70-3

BELEUCHTUNG UND
BLINKANLAGE
Ausführung Österreich

LIGHTING AND
BLINKING EQUIPMENT
for Austria

ECLAIRAGE ET
SIGNALISATION
pour l'Autriche



Mähdrösch MF 31

415 718 M2 (Ausgabe 1) 12/70

**MASSEY FERGUSON
MF 31 COMBINE - 415718**

415718

70-3

LIGHTING AND BLINKING EQUIPMENT - FOR AUSTRIA

| Item | Part Number | Qty | Description | Comments FOR AUSTRIA |
|------|-------------|-----|----------------|-------------------------|
| 1 | 1706040M1 | 2 | Spring | |
| 2 | 339418X1 | 2 | Bolt Metric | |
| 3 | 339169X1 | 4 | Nut Metric | |
| 4 | 411238M91 | 1 | Bracket | (A, C, E) Left Hand |
| | 411936M91 | 1 | Bracket | (C, D, F) Left Hand |
| | 411248M91 | 1 | Bracket | (B, D, E) Left Hand |
| | 411934M91 | 1 | Bracket | (D, F) Left Hand |
| 5 | 327844M1 | 1 | Light | (K) |
| | 406204M1 | 1 | Lamp | (K) |
| | 412912M1 | 1 | Bulb | (A, B) |
| | 327711M1 | 1 | Bulb | (C, D) |
| | 410390M1 | 1 | Bulb | (A, B) |
| | 405813M1 | 1 | Bulb 2w Instr. | (C, D) |
| 6 | 411294M2 | 1 | Harness | (A, C) |
| | 411260M2 | 1 | Harness | (B, D) |
| 7 | 328999M1 | 1 | Connector | |
| 8 | 411240M2 | 1 | Harness | |
| 9 | 321563M3 | 2 | Reflector | |
| 10 | 411293M2 | 2 | Harness | (G) |
| | 411482M2 | 2 | Harness | (H) |
| 11 | 403213M1 | 2 | Light | (K) |
| | 403212M1 | 2 | Light | (K) |
| | 320824M1 | 2 | Bulb | (A, B) |
| | 322795M1 | 2 | Bulb | (C, D) |
| | 320863M1 | 2 | Bulb | (A, B) |
| | 326917M1 | 2 | Bulb | (C, D) |
| 12 | 1706040M1 | 2 | Spring | |
| 13 | 339256X1 | 2 | Bolt Metric | |
| | 339056X1 | 2 | Washer Metric | |
| | 339169X1 | 4 | Nut Metric | |
| 14 | 391484X1 | 2 | Screw Metric | |
| | 339030X1 | 2 | Nut Metric | |
| 15 | 412888M91 | 1 | Support | (E) Left Hand |
| 16 | 412890M91 | 1 | Support | (E) Right Hand |
| 17 | 403214M1 | 1 | Bracket | (L) Right Hand |
| 18 | 339123X1 | 2 | Screw Metric | (P) |
| | 339374X1 | 2 | Lock Washer | (P) |
| | 339169X1 | 2 | Nut Metric | (P) |
| 19 | 320811M1 | 1 | Horn | (A, B, N) |
| | 416360M1 | 1 | Horn | (A, B, O) |
| | 322798M1 | 1 | Horn | (C, D, N) |
| | 416361M1 | 1 | Horn | (C, D, O) |
| 20 | 339124X1 | 1 | Screw Metric | |
| | 339374X1 | 1 | Lock Washer | |
| | 339169X1 | 1 | Nut Metric | |
| 21 | 328999M1 | 2 | Connector | |
| 22 | 619091M1 | 2 | Strap | |
| 23 | 339666X1 | 1 | Screw Metric | (C, D) |
| | 339375X1 | 1 | Lock Washer | (C, D) |
| | 339030X1 | 1 | Nut Metric | (C, D) |
| 24 | 410325M1 | 1 | Harness | (C, D) |
| 25 | 328999M1 | 1 | Connector | (C, D) |
| 26 | 323906M1 | 1 | Cable | (A, B) |
| 27 | 327129M1 | 1 | Grommet | (A, B) |
| 28 | 410271M1 | 1 | Cable | (A, B) |
| 29 | 323907M2 | 1 | Cable | (A, B) |
| 30 | 323908M1 | 1 | Cable | (A, B) |
| 31 | 320823M1 | 4 | Rail | |
| 32 | 320809M2 | 2 | Box | (A, B) |
| 33 | 339112X1 | 4 | Screw Metric | (A, B) |
| | 339382X1 | 4 | Lock Washer | (A, B) |
| | 339111X1 | 4 | Nut | (A, B) |

LIGHTING AND BLINKING EQUIPMENT - FOR AUSTRIA

| Item | Part Number | Qty | Description | Comments |
|------|-------------|-----|----------------|-------------------------|
| 34 | 321011M1 | 1 | Grommet | |
| 35 | 320810M2 | 8 | Fuse | |
| 36 | 411245M91 | 1 | Bracket | (A, C, E) Right Hand |
| | 411938M91 | 1 | Bracket | (C, F) Right Hand |
| | 411248M91 | 1 | Bracket | (B, D, E) Right Hand |
| | 411934M91 | 1 | Bracket | (D, F) Right Hand |
| 37 | 411247M1 | 2 | Bracket | (A, C) |
| 38 | 339666X1 | 4 | Screw Metric | (A, C) |
| | 339375X1 | 4 | Lock Washer | (A, C) |
| | 339030X1 | 4 | Nut Metric | (A, C) |
| 39 | 410361M91 | 1 | Reflector | (B, D, P) |
| 40 | 321563M3 | 1 | Reflector | (B, D, P) |
| 41 | 339721X1 | 1 | Screw Metric | (B, D, P) |
| | 339381X1 | 1 | Lock Washer | (B, D, P) |
| | 339029X1 | 1 | Nut | (B, D, P) |
| 42 | 323760M1 | 2 | Clip | (A, C) |
| 43 | 322799M1 | 1 | Lamp | (K) |
| | 414524M1 | 1 | Lamp | (K) |
| | 412912M1 | 1 | Bulb | (A, B) |
| | 327711M1 | 1 | Bulb | (C, D, Q) |
| | 410390M1 | 1 | Bulb | (A, B) |
| | 405813M1 | 1 | Bulb 2w Instr. | (C, D) |
| 44 | 324128M1 | 1 | Plate | |
| 45 | 1723225M1 | 1 | Blinker Switch | |
| | 324132M1 | 1 | Bulb | (A, B) |
| | 419040M1 | 1 | Bulb | (A, B) |
| | 403704M1 | 1 | Bulb 12v 2w | (C, D) |
| | 419264M1 | 1 | Bulb | (C, D) |
| 46 | 411263M1 | 1 | Clamp | |
| 47 | 324142M1 | 1 | Mirror | |
| 48 | 417116M1 | 1 | Cable | |
| 49 | 411262M2 | 1 | Guard | (G, H, P) |
| 50 | 339106X1 | 2 | Nut Metric | (P) |
| 51 | 410395M1 | 1 | Cable | |
| 52 | 324135M1 | 1 | Plate | 16 KM |
| 53 | 339112X1 | 4 | Screw Metric | |
| | 339382X1 | 4 | Lock Washer | |
| | 339111X1 | 4 | Nut | |
| 54 | 411944M1 | 1 | Bracket | |
| 55 | 403697M1 | 2 | Reflector | |
| 56 | 410360M1 | 1 | Bracket | |
| 57 | 339124X1 | 1 | Screw Metric | (B, D) |
| | 339374X1 | 1 | Lock Washer | (B, D) |
| | 339169X1 | 1 | Nut Metric | (B, D) |
| 58 | 411294M2 | 1 | Harness | (A, C) |
| | 411260M2 | 1 | Harness | (B, D) |
| 59 | 328999M1 | 1 | Connector | |
| 60 | 1723234M1 | 1 | Harness | (C, D) |
| | 1723233M1 | 1 | Harness | (A, B) |
| 61 | 324138M1 | 2 | Spacer | |
| 62 | 411256M1 | 2 | Harness | (G) |
| | 411481M1 | 2 | Harness | (H) |
| 63 | 324130M1 | 2 | Flasher | |
| | 410390M1 | 2 | Bulb | (A, B) |
| | 405813M1 | 2 | Bulb 2w Instr. | (C, D) |
| 64 | 411257M92 | 1 | Bracket | Left Hand |
| 65 | 416368M1 | 1 | Blinker Unit | (A, B, N) |
| | 416366M1 | 1 | Blinker Unit | (A, B, O) |
| 66 | 416369M1 | 1 | Blinker Unit | (C, D, N) |
| | 406220M1 | 1 | Blinker | (C, D, O) |
| 67 | 411258M92 | 1 | Bracket | Right Hand |
| 69 | 328999M1 | 2 | Connector | |
| 70 | 410391M1 | 1 | Harness | (C, D, R) |
| | 1723189M1 | 1 | Cable | (C, D, S) |
| 71 | 328999M1 | 1 | Connector | (C, D) |
| 72 | 327129M1 | 1 | Grommet | |

LIGHTING AND BLINKING EQUIPMENT - FOR AUSTRIA

| Item | Part Number | Qty | Description | Comments |
|------|-------------|-----|---------------|--|
| 73 | 321591M1 | 3 | Band | |
| 74 | 339230X1 | 1 | Screw Metric | (A, B) |
| | 339375X1 | 1 | Lock Washer | (A, B) |
| | 339030X1 | 1 | Nut Metric | (A, B) |
| 75 | 410330M1 | 1 | Cable | (C, D, N) |
| | 416377M1 | 1 | Cable | (C, D, O) |
| 76 | 324126M1 | 1 | Cable | (A, B, N) |
| | 416376M1 | 1 | Harness | (O) |
| 77 | 413006M1 | 2 | Plate | (J) |
| 78 | 1441451X1 | 1 | Clip | (A, B) |
| 79 | 339112X1 | 1 | Screw Metric | (A, B) |
| | 339382X1 | 1 | Lock Washer | (A, B) |
| | 339111X1 | 1 | Nut | (A, B) |
| 80 | 411604M91 | 1 | Reflector | (A, C, P) |
| 81 | 411605M1 | 1 | Bracket | (A, C, P) |
| 82 | 321563M3 | 1 | Reflector | (A, C, P) |
| 83 | 339560X1 | 1 | Screw Metric | (A, C, P) |
| | 339375X1 | 1 | Lock Washer | (A, C, P) |
| | 339030X1 | 1 | Nut Metric | (A, C, P) |
| 84 | 404995M91 | 2 | Angle | (P) |
| 85 | 339103X1 | 6 | Screw | (P) |
| 86 | 411930M91 | 1 | Support | (C, D, F) Left Hand |
| 87 | 411932M91 | 1 | Support | (C, D, F) Right Hand |
| 88 | 404964M1 | 1 | Bracket | (C, D, F) Left Hand |
| 89 | 339123X1 | 4 | Screw Metric | (C, D) |
| 90 | 339374X1 | 4 | Lock Washer | (C, D) |
| 91 | 339169X1 | 4 | Nut Metric | (C, D) |
| 92 | 404968M1 | 1 | Bracket | (C, D, F) Right Hand |
| 93 | 414639M91 | 1 | Support | (M, P) |
| 94 | 414620M1 | 1 | Bracket | (N) |
| | 416363M1 | 1 | Ring | (O) |
| 95 | 339560X1 | 1 | Screw Metric | |
| | 390971X1 | 1 | Washer Metric | |
| | 339375X1 | 1 | Lock Washer | |
| | 339030X1 | 1 | Nut Metric | |
| 96 | 413580M1 | 1 | Lamp | |
| | 320824M1 | 1 | Bulb | |
| | 322795M1 | 1 | Bulb | |
| 97 | 410280M2 | 1 | Cable | (A, B) |
| 98 | 1723113M1 | 1 | Cable | (C, D) |
| | 1700890M1 | 1 | Switch | NOT ILLUSTRATED (A) WITHOUT PRESS - VW ENGINE (B) WITH PRESS - VW ENGINE (C) W/O PRESS - PERKINS ENGINE (D) WITH PRESS - PERKINS ENGINE (E) Up to Serial or Engine Number 3043 (F) From Serial or Engine Number 3044 (G) 6' TABLE (H) 7' TABLE (J) FOR BLINKER LIGHT BOSCH ONLY (K) ALTERNATIVE (L) Up to Serial or Engine Number 3759 (M) From Serial or Engine Number 3760 |

MASSEY FERGUSON
MF 31 COMBINE - 415718

415718

LIGHTING AND BLINKING EQUIPMENT - FOR AUSTRIA

70-3

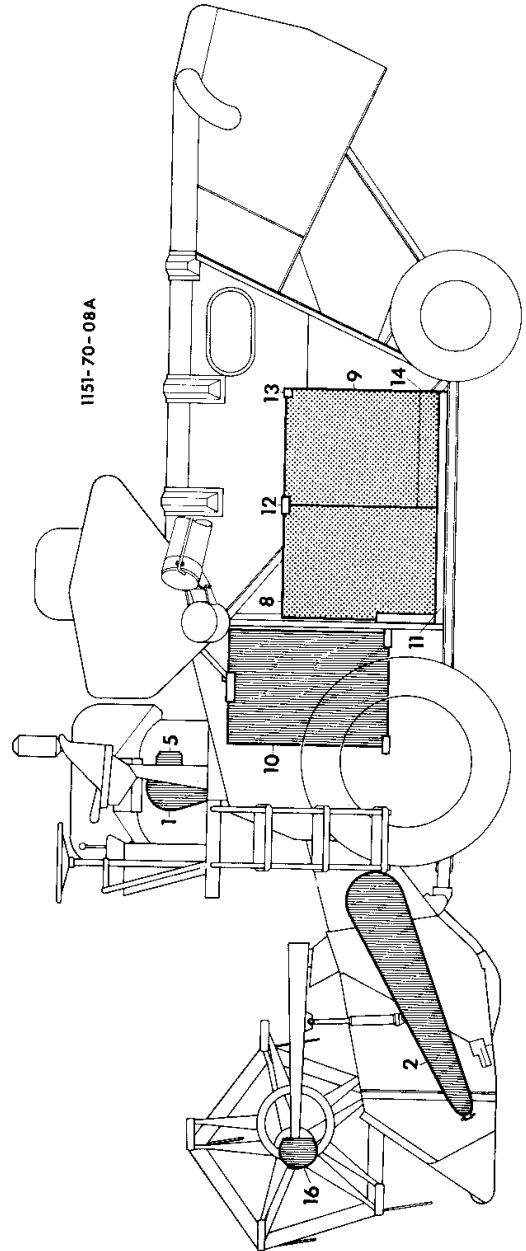
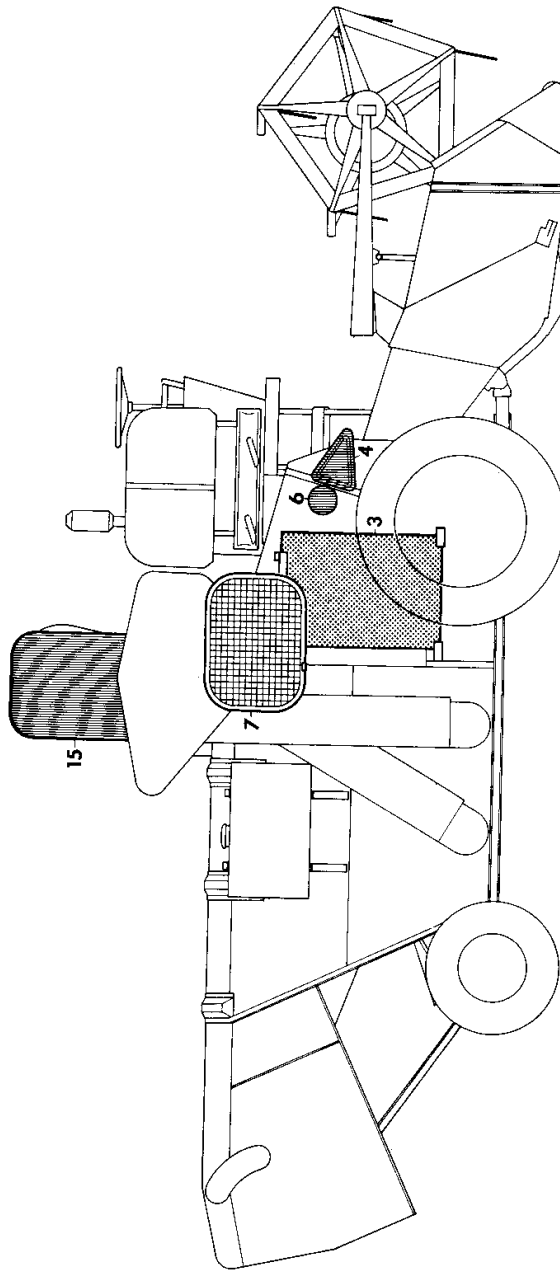
| Item | Part Number | Qty | Description | Comments |
|------|-------------|-----|-------------|------------------------------------|
| | | | | (N) |
| | | | | Up to Serial or Engine Number 6364 |
| | | | | (O) |
| | | | | From Serial or Engine Number 6365 |
| | | | | (P) |
| | | | | Up to Serial or Engine Number |
| | | | | (Q) |
| | | | | Up to Serial or Engine Number |
| | | | | (R) |
| | | | | Up to Serial or Engine Number 9211 |
| | | | | (S) |
| | | | | From Serial or Engine Number 9212 |

70-4

SCHUTZBLECHE
Tankmaschinen

GUARDS
Tank Machines

GARANTS
machines avec réservoir à grains



Mähdrescher MF 31

415 718 M2 (Ausgabe 1) 12/70

GUARDS-TRANSMISSION - TANK MACHINES

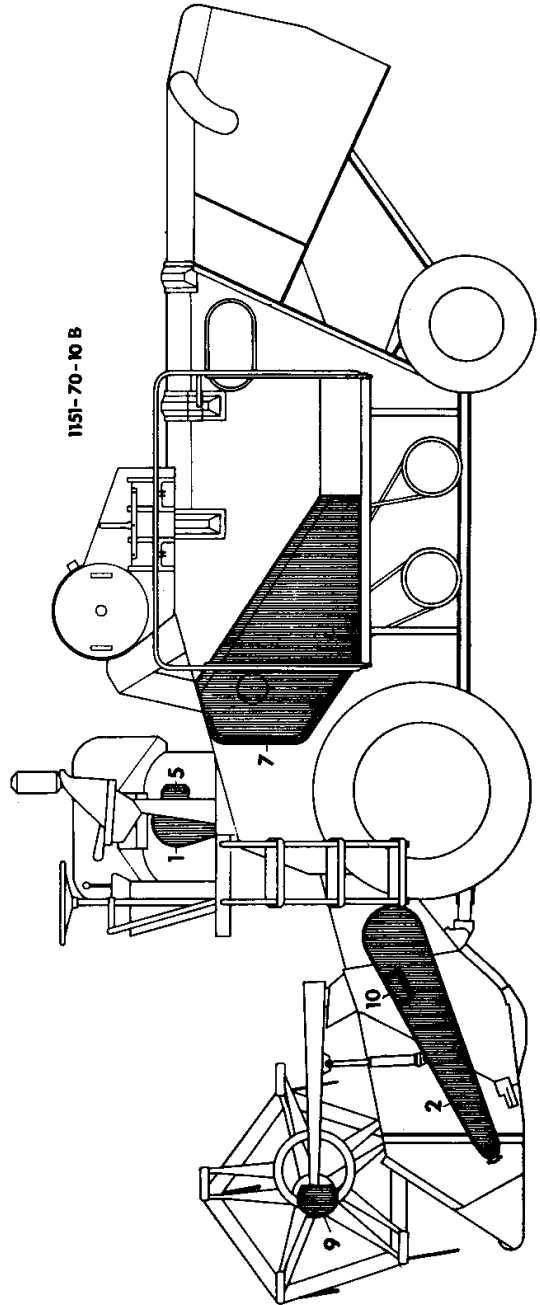
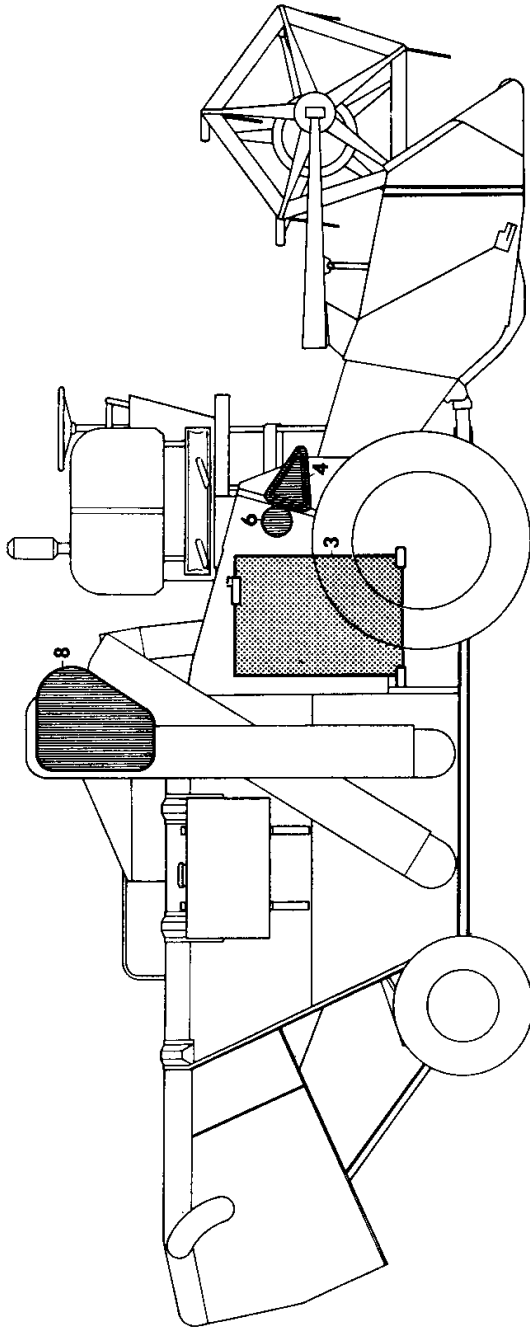
| Item | Part Number | Qty | Description | Comments |
|------|-------------|-----|--------------|------------------------------------|
| | | | | TANK MACHINES |
| 1 | 411121M91 | 1 | Cowl | |
| | 339375X1 | 2 | Lock Washer | |
| | 339722X1 | 2 | Nut | |
| 2 | 411045M92 | 1 | Shield | |
| 3 | 320510M4 | 1 | Screen | |
| 4 | 411226M1 | 1 | Guard | |
| | 339560X1 | 2 | Screw Metric | |
| | 339375X1 | 2 | Lock Washer | |
| | 339030X1 | 2 | Nut Metric | |
| 5 | 411301M1 | 1 | Guard | |
| 6 | 410868M2 | 1 | Disc | |
| 7 | 411175M92 | 1 | Guard | |
| 8 | 9467048 | 1 | Screen | |
| 9 | 320506M4 | 1 | Chaffer | |
| 10 | 324905M2 | 1 | Guard | |
| 11 | 324684M91 | 1 | Support | |
| | 339560X1 | 2 | Screw Metric | |
| | 339375X1 | 2 | Lock Washer | |
| | 339030X1 | 2 | Nut Metric | |
| | 339123X1 | 1 | Screw Metric | |
| | 339375X1 | 1 | Lock Washer | |
| | 339169X1 | 1 | Nut Metric | |
| | 339081X1 | 2 | Screw Metric | |
| | 339376X1 | 2 | Lock Washer | |
| | 339402X1 | 2 | Nut Metric | |
| 12 | 324688M91 | 1 | Latch | |
| | 391402X1 | 1 | Pin | |
| 13 | 411227M91 | 1 | Bracket | |
| | 391402X1 | 1 | Pin | |
| 14 | 321665M1 | 1 | Finger | |
| 15 | 324850M91 | 1 | Guard | |
| | 411204M91 | 1 | Shield | |
| 16 | 411048M92 | 1 | Plate | (A, C, E) |
| | 414650M1 | 1 | Guard | (B, E) |
| | 411728M1 | 1 | Support | (A, D, E) |
| | 414651M1 | 1 | Support | (B, E) |
| | 339123X1 | 2 | Screw Metric | (A, E) |
| | 339560X1 | 2 | Screw Metric | (B, E) |
| | 339374X1 | 2 | Lock Washer | (A, E) |
| | 339375X1 | 2 | Lock Washer | (B, E) |
| | 339169X1 | 2 | Nut Metric | (A, E) |
| | 339030X1 | 2 | Nut Metric | (B, E) |
| | | | | (A) |
| | | | | Up to Serial or Engine Number 3820 |
| | | | | (B) |
| | | | | From Serial or Engine Number 3821 |
| | | | | (C) |
| | | | | Up to Serial or Engine Number 2071 |
| | | | | Not serviced, order 411728M1 |
| | | | | (D) |
| | | | | Up to Serial or Engine Number 2071 |
| | | | | Not serviced, order 411048M92 |
| | | | | (E) |
| | | | | U.K. ONLY |

70-5

SCHUTZBLECHE
Absackmaschinen

GUARDS
Bagger Machines

GARANTS
machines avec ensacheur



Mährescher MF 31

415 718 M2 (Ausgabe 1) 12/70

GUARDS-TRANSMISSION - BAGGER MACHINES

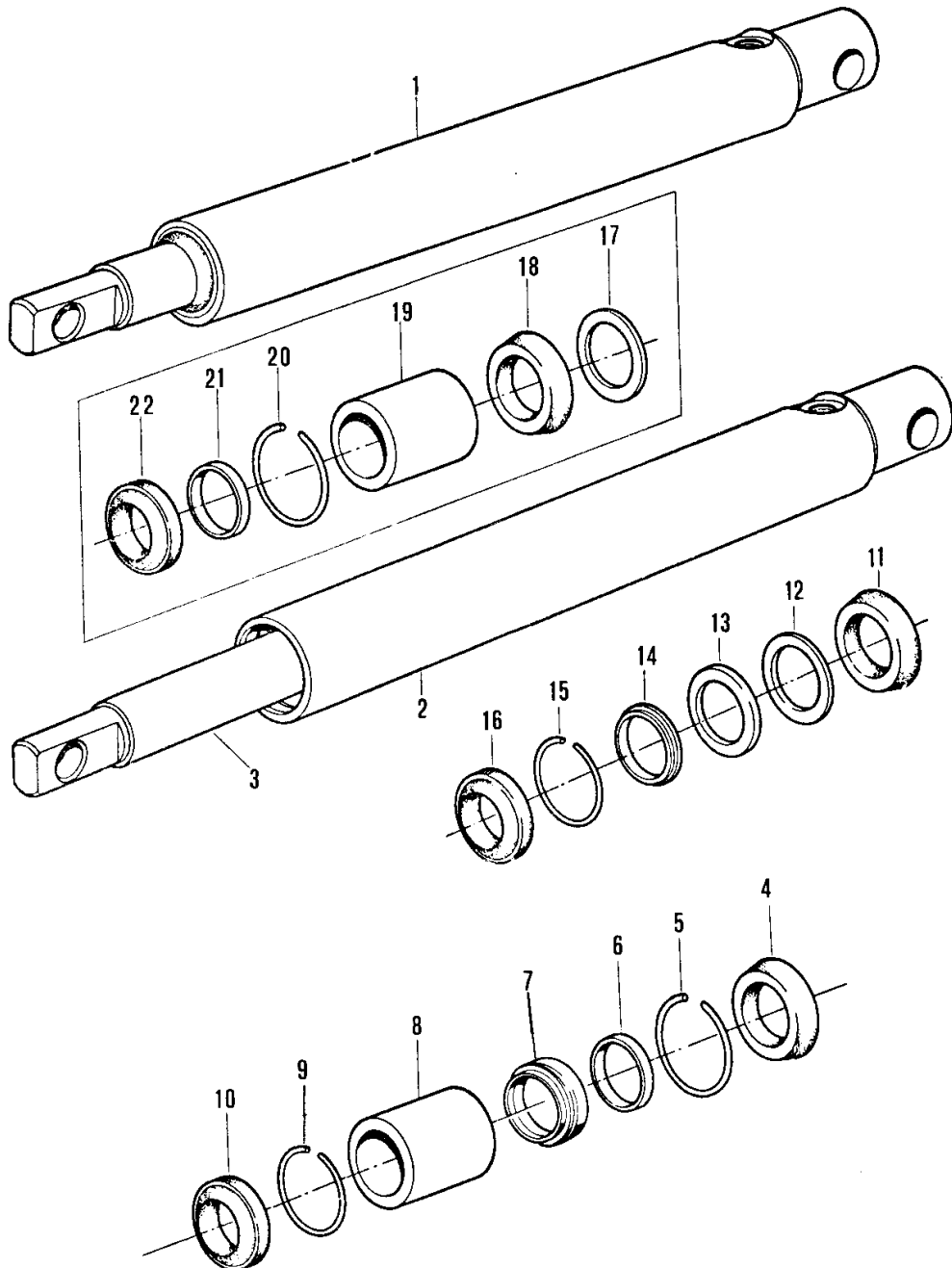
| Item | Part Number | Qty | Description | Comments |
|------|-------------|-----|---------------|------------------------------------|
| | | | | BAGGER MACHINES |
| 1 | 411121M91 | 1 | Cowl | |
| | 339375X1 | 2 | Lock Washer | |
| | 339722X1 | 2 | Nut | |
| 2 | 411045M92 | 1 | Shield | |
| 3 | 320510M4 | 1 | Screen | |
| 4 | 411226M1 | 1 | Guard | |
| | 339560X1 | 2 | Screw Metric | |
| | 339375X1 | 2 | Lock Washer | |
| | 339030X1 | 2 | Nut Metric | |
| 5 | 411301M1 | 1 | Guard | |
| 6 | 410868M2 | 1 | Disc | |
| 7 | 411355M91 | 1 | Guard | |
| | 411416M1 | 1 | Pin | |
| | 339169X1 | 2 | Nut Metric | |
| 8 | 411408M91 | 1 | Guard | (F) |
| | 411765M91 | 1 | Guard | (G) |
| | 339106X1 | 1 | Nut Metric | |
| | 339374X1 | 1 | Lock Washer | |
| | 339056X1 | 1 | Washer Metric | |
| 9 | 411048M92 | 1 | Plate | (A, C, E) |
| | 414650M1 | 1 | Guard | (B, E) |
| | 411728M1 | 1 | Support | (A, D, E) |
| | 414651M1 | 1 | Support | (B, E) |
| | 339123X1 | 2 | Screw Metric | (A, E) |
| | 339560X1 | 2 | Screw Metric | (B, E) |
| | 339374X1 | 2 | Lock Washer | (A, E) |
| | 339375X1 | 2 | Lock Washer | (B, E) |
| | 339169X1 | 2 | Nut Metric | (A, E) |
| | 339030X1 | 2 | Nut Metric | (B, E) |
| 10 | 419105M1 | 1 | Guard | |
| | 9467048 | 1 | Screen | (H) |
| | | | | NOT ILLUSTRATED |
| | 320506M4 | 1 | Chaffer | (H) |
| | | | | NOT ILLUSTRATED |
| | 321665M1 | 1 | Finger | (H) |
| | | | | NOT ILLUSTRATED |
| | | | | (A) |
| | | | | Up to Serial or Engine Number 3820 |
| | | | | (B) |
| | | | | From Serial or Engine Number 3821 |
| | | | | (C) |
| | | | | Up to Serial or Engine Number 2071 |
| | | | | Not serviced, order 411728M1 |
| | | | | (D) |
| | | | | Up to Serial or Engine Number 2071 |
| | | | | Not serviced, order 411048M92 |
| | | | | (E) |
| | | | | U.K. ONLY |
| | | | | (F) |
| | | | | Up to Serial or Engine Number 3043 |
| | | | | (G) |
| | | | | From Serial or Engine Number 3044 |
| | | | | (H) |
| | | | | SUPPLIED LOOSE |

70-6

HYDRAULIKZYLINDER
für Tischaushebung

RAM
for table

VERIN
pour table



Mährescher MF 31

415 718 M2 (Ausgabe 2) 1/75

RAM

| Item | Part Number | Qty | Description | Comments |
|------|-------------|-----|-------------|----------|
| 1 | | 1 | Ram | (A, C) |
| 2 | | 1 | Barrel | (D) |
| 3 | 1717000M1 | 1 | Rod | |
| 4 | 1717006M1 | 1 | Ring | |
| 5 | 1717016M1 | 1 | Ring | |
| 6 | 1717011M1 | 1 | Washer | |
| 7 | 1717003M1 | 1 | Ring | |
| 8 | 1717009M1 | 1 | Bush | |
| 9 | 1717015M1 | 1 | Ring | |
| 10 | 1717014M1 | 2 | Ring | |
| 1 | | 1 | Ram | (B, C) |
| 2 | | 1 | Barrel | (D) |
| 3 | | 1 | Rod | (D) |
| 11 | 1806949M1 | 1 | Ring | |
| 12 | 1717477M1 | 1 | Washer | |
| 13 | 1717478M1 | 1 | Washer | |
| 14 | 1441775X1 | 1 | Ring | |
| 15 | 1806950M1 | 1 | Gasket | |
| 16 | 1717480M1 | 1 | Ring | |
| 17 | 1717480M1 | 1 | Ring | |
| 18 | 1717481M1 | 1 | Ring | |
| 19 | 1441775X1 | 1 | Ring | |
| 20 | 1717482M1 | 1 | Bush | |
| 21 | 1806949M1 | 1 | Ring | |
| 22 | 1717483M1 | 1 | Ring | |

EARLY MODELS

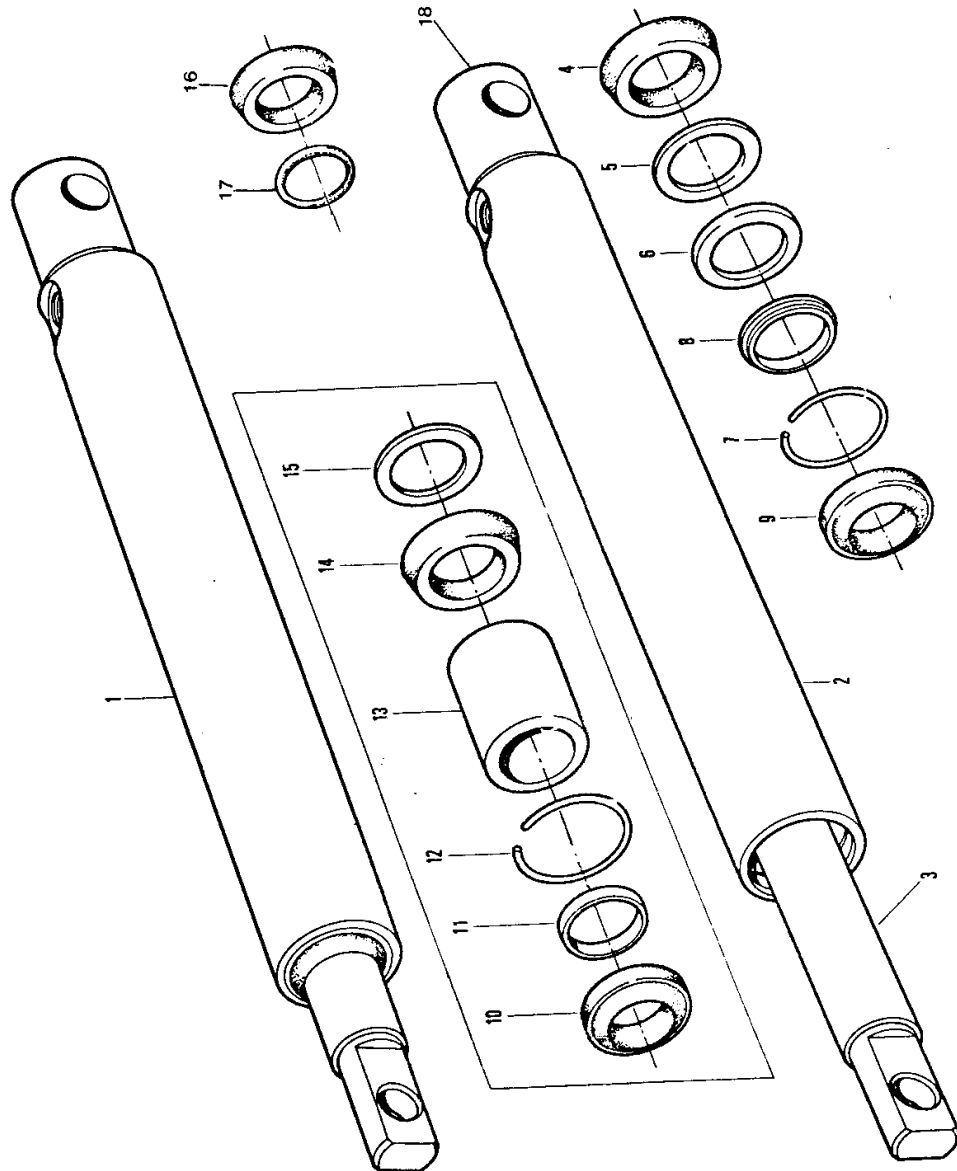
(A)
RAM STOCKEY & SCHMITZ
(B)
RAM BOSCH
(C)
Not serviced, order 1748078M92
See Page - Reference Number 70-6B
COMPLETE RAMS ARE INTERCHANGEABLE
(D)
Not serviced, order RAM ASSY.

70 - 6 A

HYDRAULIK ZYLINDER
für Haspelverstellung

RAM
for reel

VERIN
pour raboteur



RAM

| Item | Part Number | Qty | Description | Comments |
|------|-------------|-----|-------------|----------|
| 1 | | 1 | Ram | (A, C) |
| 2 | | 1 | Barrel | (D) |
| 3 | 1717001M1 | 1 | Rod | |
| 16 | 1717007M1 | 1 | Ring | |
| 17 | 1717004M1 | 1 | O Ring | |
| 18 | 1717012M1 | 1 | Bearing | |
| 1 | | 1 | Ram | (B, C) |
| 2 | | 1 | Barrel | (D) |
| 3 | | 1 | Rod | (D) |
| 4 | 1717364M1 | 1 | Ring | |
| 5 | 1717365M1 | 1 | Washer | |
| 6 | 1717366M1 | 1 | Washer | |
| 7 | 1717367M1 | 1 | Ring | |
| 8 | 1717368M1 | 1 | Ring | |
| 9 | 1700285M1 | 1 | Ring | |

EARLY MODELS

| | | | | |
|----|-----------|---|------|--|
| 10 | 1700285M1 | 1 | Ring | |
| 11 | 1717369M1 | 1 | Ring | |
| 12 | 1717367M1 | 1 | Ring | |
| 13 | 1717370M1 | 1 | Bush | |
| 14 | 1717364M1 | 1 | Ring | |

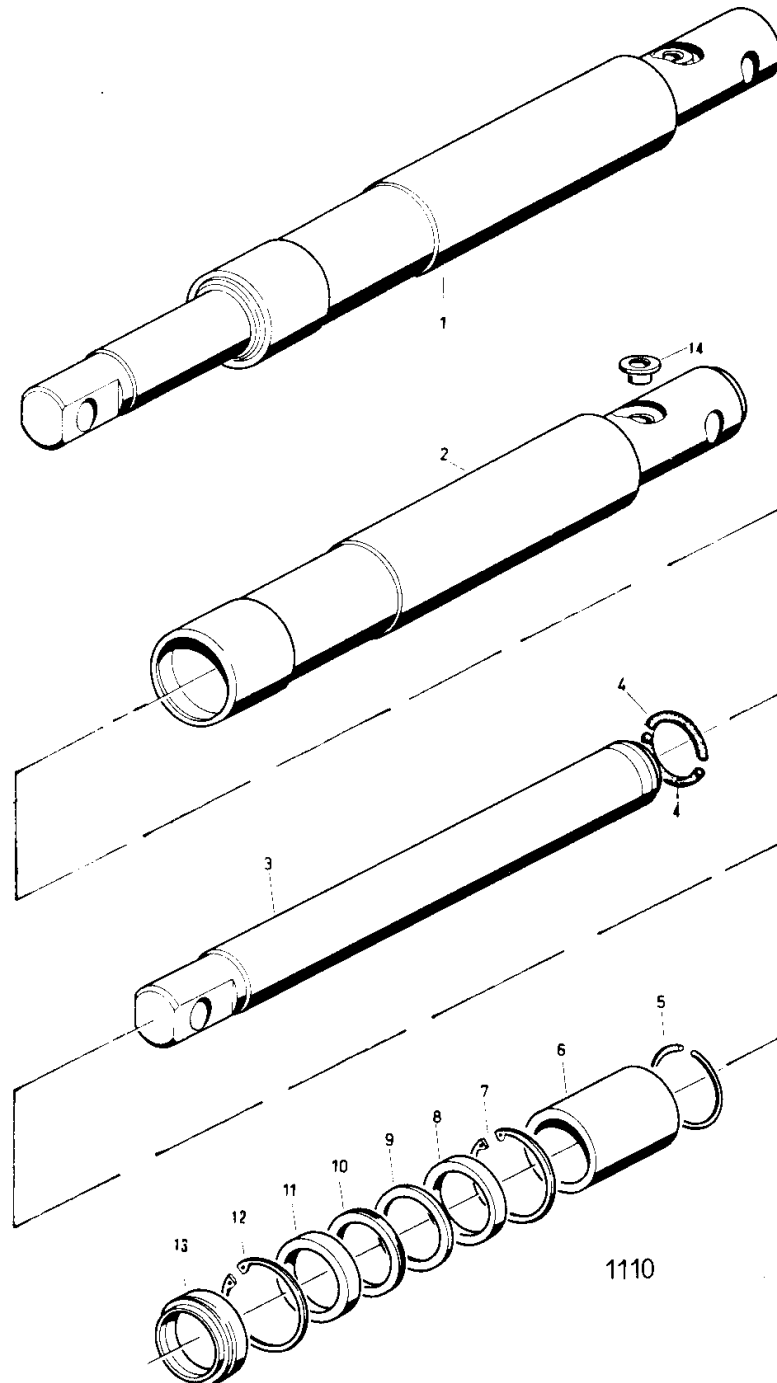
(A)
Up to Serial or Engine Number 8109
(B)
From Serial or Engine Number 8110
(C)
Not serviced, order 1748022M93,
1442426X1, 1726011M1
COMPLETE RAMS ARE INTERCHANGEABLE
(D)
Not serviced, order RAM ASSY.

70-6B

HYDRAULIKZYLINDER
für Tischaushebung

RAM
for table

VERIN
pour table



Mährescher MF 31

415 718 M2 (Ausgabe 3) 1/75

MASSEY FERGUSON
MF 31 COMBINE - 415718

415718

RAM

70-6B

| Item | Part Number | Qty | Description | Comments |
|------|-------------|-----|-------------|----------|
| 1 | 1748078M92 | 1 | Ram | |
| 2 | | 1 | Barrel | (A) |
| 3 | | 1 | Piston Rod | (A) |
| 4 | | 2 | Ring | (A) |
| 5 | | 1 | Snpring | (A) |
| 6 | 1748106M1 | 1 | Bush | |
| 7 | 1441825X1 | 1 | Circlip | |
| 8 | 1441843X1 | 1 | Bush | |
| 9 | 1748019M1 | 1 | Ring | |
| 10 | 1748020M1 | 1 | Ring | |
| 11 | 1748021M1 | 1 | Ring | |
| 12 | 1441775X1 | 1 | Ring | |
| 13 | 1441848X1 | 1 | Ring | |
| 14 | | 1 | Plug | |

(A)

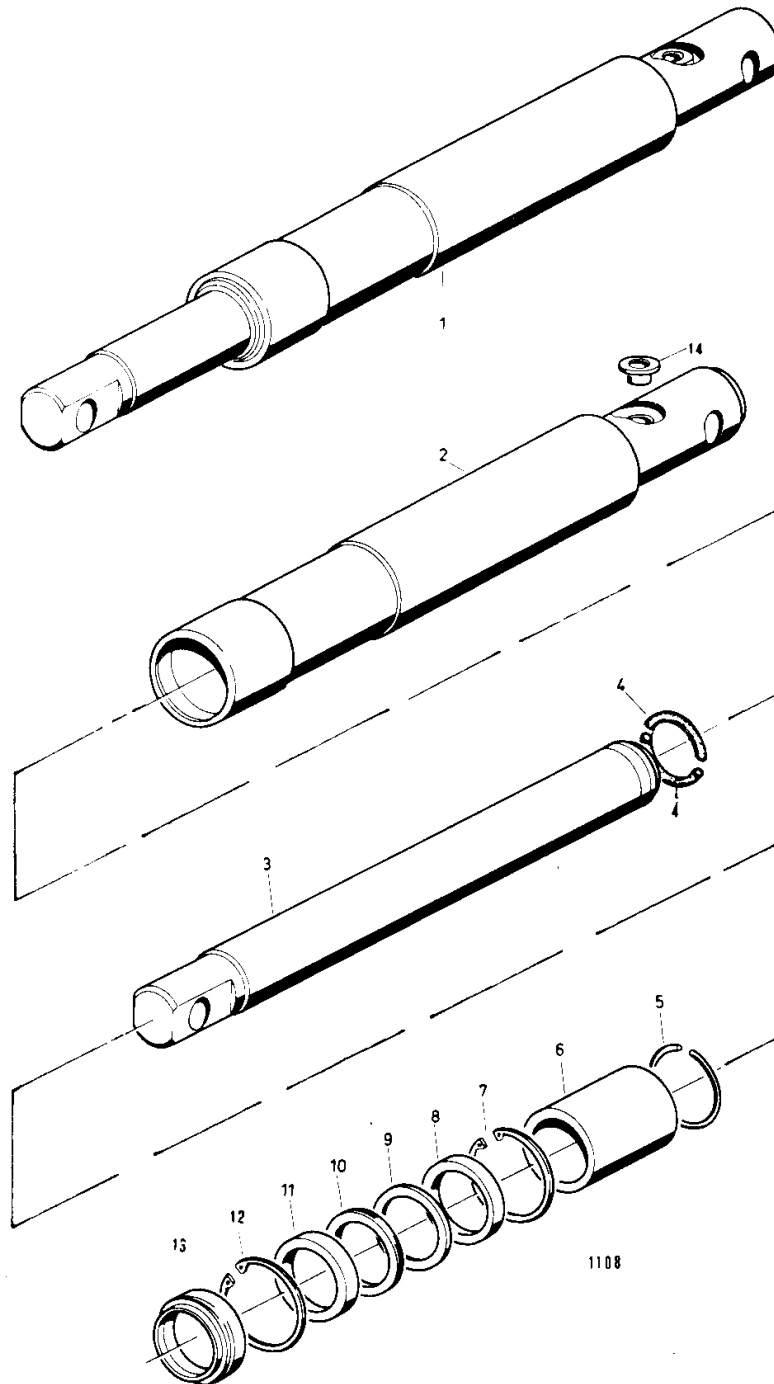
Not serviced, order 1748078M92

70-6C

HYDRAULIK ZYLINDER
für Haspelverstellung

RAM
for reel

VERIN
pour rabatteur



Mährescher MF 31

415 718 M2 (Ausgabe 3) 1/75

RAM

| Item | Part Number | Qty | Description | Comments |
|------|-------------|-----|-------------|----------|
| 1 | 1748022M92 | 1 | Ram | (A) |
| | 1748022M93 | 1 | Ram | |
| 2 | | 1 | Barrel | (B) |
| | | 1 | Barrel | (B) |
| 3 | | 1 | Piston Rod | (B) |
| 4 | | 2 | Stop | (B) |
| 5 | | 1 | Snpring | (B) |
| | 1748118M1 | 1 | Bush | |
| 7 | 1441827X1 | 1 | Ring | |
| 8 | 1441846X1 | 1 | Seal | |
| 9 | 1748030M1 | 1 | Ring | |
| 10 | 1748031M1 | 1 | Ring | |
| 11 | 1748032M1 | 1 | Ring | |
| | 1748319M1 | 1 | Ring | |
| 12 | 1441827X1 | 1 | Ring | |
| | 1748318M1 | 1 | Ring | |
| 13 | 1441847X1 | 1 | Seal | |
| 14 | 1748042M1 | 1 | Plug | |

(A)

IN CASE OF REQUIREMENT OF COMPLETE RAMS, ORDER 174 8022M93.
COMPLETE RAMS OF INTERCHANGEABLE

(B)

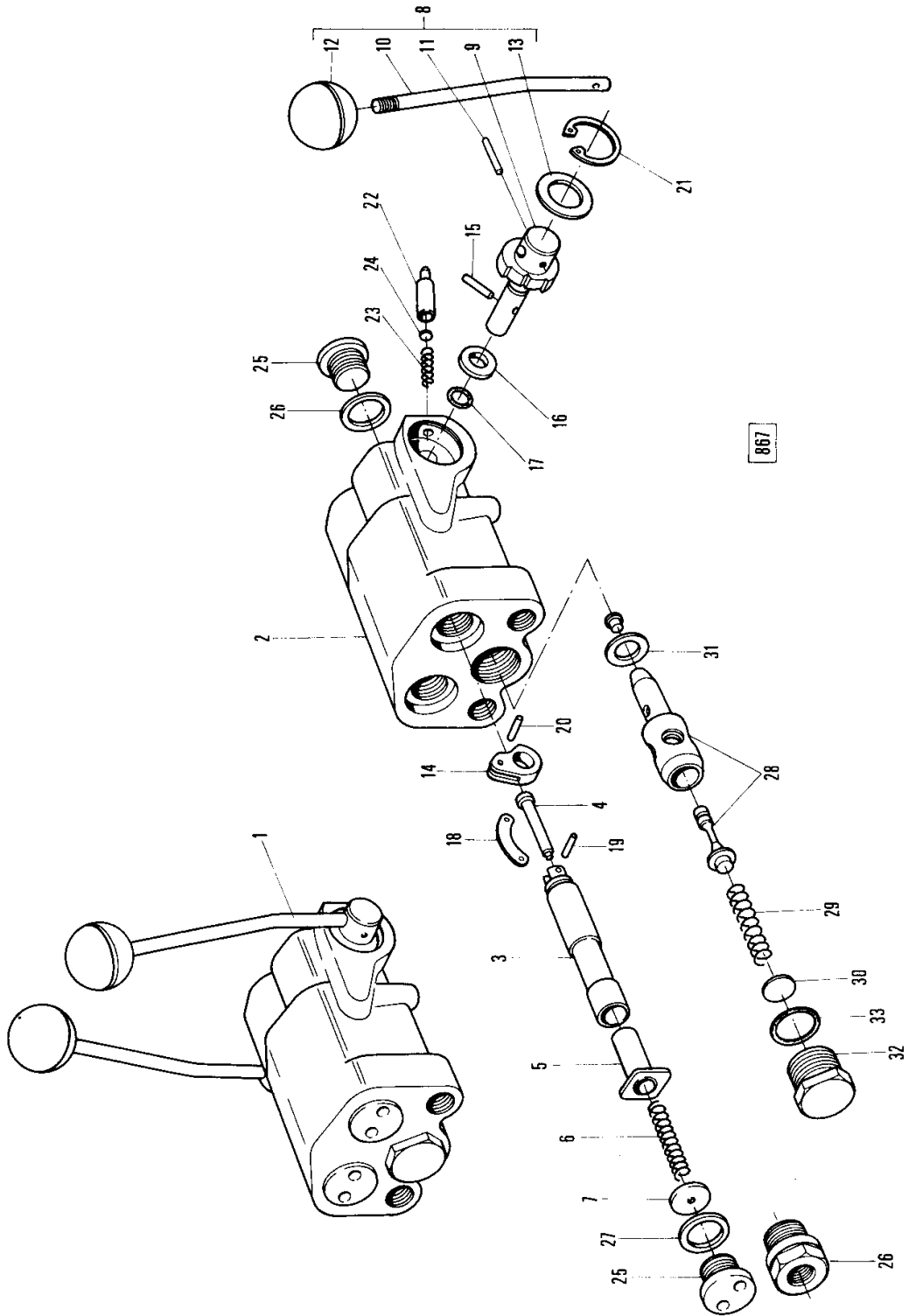
Not serviced, order 1748022M93

70-7

STEUERGERÄT

CONTROL VALVE

VALVE DOUBLE



Mähdrescher MF 31

415 718 M2 (Ausgabe 2) 10/73

CONTROL VALVE

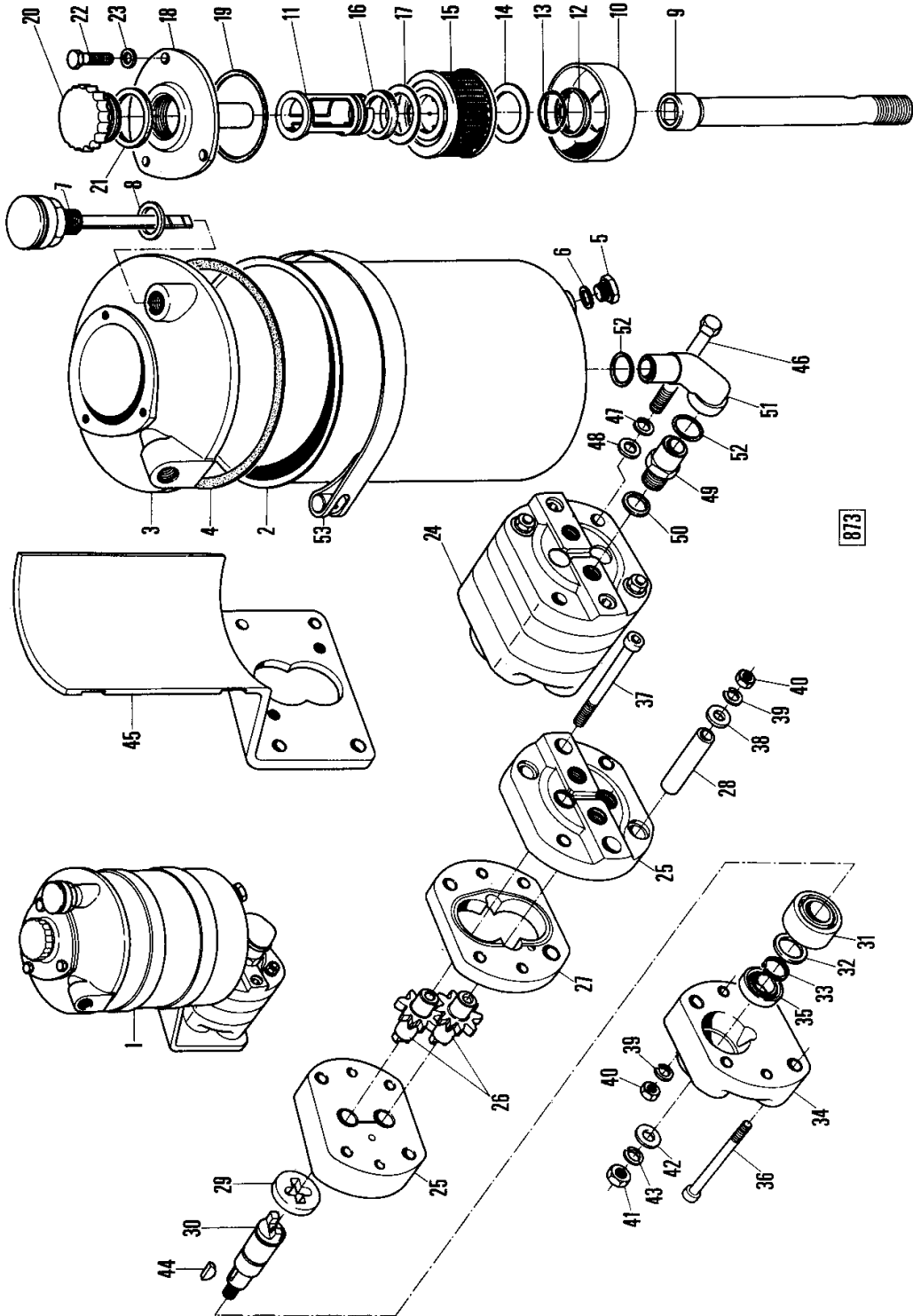
| Item | Part Number | Qty | Description | Comments |
|------|-------------|-----|---------------|---|
| 1 | 410133M1 | 1 | Distributor | |
| 2 | | 1 | Housing | Not serviced, order CONTROL VALVE ASSY. |
| 3 | | 2 | Spindle | Not serviced, order CONTROL VALVE ASSY. |
| 4 | 1717334M1 | 2 | Pin | |
| 5 | 1700525M1 | 2 | Sleeve | |
| 6 | 1700334M2 | 2 | Spring | |
| 7 | 1700335M1 | 2 | Washer | |
| 8 | 1717337M91 | 1 | Lever | Left Hand |
| | 1717338M91 | 1 | Lever | Right Hand |
| 9 | 1700527M1 | 1 | Clevis Pin | Left Hand |
| | 1700529M1 | 1 | Clevis Pin | Right Hand |
| 10 | 1717339M1 | 1 | Lever | Left Hand |
| | 1717339M1 | 1 | Lever | Right Hand |
| 11 | 1440398X1 | 1 | Pin | |
| 12 | 1700343M1 | 1 | Knob Assy | |
| 13 | 1700534M1 | 1 | Washer | |
| 14 | 1700532M1 | 2 | Lever | |
| 15 | 1440393X1 | 2 | Pin | (A) |
| 16 | 1441769X1 | 2 | Washer Metric | (A) |
| 17 | 1700346M1 | 2 | Bush | (A) |
| 18 | 1700536M1 | 2 | Plate | |
| 19 | 339548X1 | 2 | Pin | (A) |
| 20 | 1440961X1 | 2 | Pin | (A) |
| 21 | 1441240X1 | 2 | Circlip | (A) |
| 22 | 1700348M1 | 2 | Clevis Pin | |
| 23 | 1700349M1 | 2 | Spring | |
| 24 | 1700395M1 | X | Washer | |
| 25 | 1700350M1 | 4 | Plug | |
| 27 | 391265X1 | 4 | Gasket | (A) |
| 28 | 1700352M1 | 1 | Valve | |
| 29 | 1717363M1 | 1 | Spring | |
| 30 | 1700354M1 | X | Shim | |
| | 1700355M1 | X | Shim | |
| 31 | 1700394M1 | 1 | Gasket | (A) |
| 32 | 1700357M1 | 1 | Plug | |
| 33 | 1700358M1 | 1 | Ring | |
| | | | | (A) |
| | | | | WEARING PARTS |

70-8

HYDRAULIKPUMPE
MIT ÖLBEHÄLTER
bis Serien-Nr. 8109

HYDRAULIC PUMP
WITH OIL CONTAINER
up to No. 8109

POMPE HYDRAULIQUE
AVEC CUVE D'HUILE
jusqu'au No. 8109



Mährescher MF 31

415 718 M2 (Ausgabe 1) 12/70

HYDRAULIC PUMP WITH OIL CONTAINER

| Item | Part Number | Qty | Description | Comments |
|------|-------------|-----|---------------|------------------------------------|
| | | | | Up to Serial or Engine Number 8109 |
| 1 | 402178M1 | 1 | Pump | |
| 2 | 1717361M1 | 1 | Container | |
| 3 | 1717362M1 | 1 | Cover | |
| 4 | 1700300M1 | 1 | Plug | (A) |
| 5 | 1441060X1 | 1 | Plug | |
| 6 | 1440993X1 | 1 | Seal | (A) |
| 7 | 1717354M1 | 1 | Air Filter | |
| 8 | 1700551M1 | 1 | Ring | (A) |
| 9 | 1700370M1 | 1 | Tube | |
| 10 | 1700315M1 | 1 | Housing | |
| 11 | 1700316M1 | 1 | Tube | |
| 12 | 1700317M1 | 1 | Bush | (A) |
| 13 | 1441762X1 | 1 | Ring | |
| 14 | 1700319M1 | 1 | Washer | |
| 15 | 1700320M1 | 1 | Filter | |
| 16 | 1700321M1 | 1 | Bush | (A) |
| 17 | 1700319M1 | X | Shim | |
| 18 | 1700322M1 | 1 | Cover | |
| 19 | 1717350M1 | 1 | Gasket | (A) |
| 20 | 1717351M1 | 1 | Plug | |
| 21 | 1700330M1 | 1 | Washer | (A) |
| 22 | 339666X1 | 3 | Screw Metric | |
| 23 | 390971X1 | 3 | Washer Metric | |
| 24 | 1700304M1 | 1 | Pump | |
| 25 | | | Housing | Not serviced, order PUMP ASSY. |
| 26 | | | Pinion | Not serviced, order PUMP ASSY. |
| 27 | | | Spacer | Not serviced, order PUMP ASSY. |
| 28 | | | Sleeve | Not serviced, order PUMP ASSY. |
| 29 | 1700399M1 | 1 | Coupler | |
| 30 | 1700386M1 | 1 | Shaft | |
| 31 | 1441170X1 | 1 | Bearing | (A) |
| 32 | 1700389M1 | 1 | Washer | |
| 33 | 1441761X1 | 1 | Circlip | (A) |
| 34 | | | Cover | Not serviced, order PUMP ASSY. |
| 35 | 1700390M1 | 1 | Bush | (A) |
| 36 | 1441763X1 | 2 | Screw Metric | |
| 37 | 1441471X1 | 2 | Screw Metric | |
| 38 | 1700403M1 | 2 | Washer | |
| 39 | 339374X1 | 4 | Lock Washer | |
| 40 | 339169X1 | 4 | Nut Metric | |
| 41 | 1440219X1 | 1 | Nut Metric | |
| 42 | 339424X1 | 1 | Washer | |
| 43 | 339376X1 | 1 | Lock Washer | |
| 44 | 391728X1 | 1 | Key Door | |
| 45 | 1700305M1 | 1 | Plate | |
| 46 | 339365X1 | 2 | Bolt Metric | |
| 47 | 339376X1 | 2 | Lock Washer | |
| 48 | 339424X1 | X | Washer | |
| 49 | 1700306M1 | 1 | Connection | |
| 50 | 390855X1 | 1 | Ring | |
| 51 | 1700308M1 | 1 | Elbow | |
| 52 | 1700309M1 | 2 | Gasket | (A) |
| 53 | 1717401M1 | 2 | Band | |

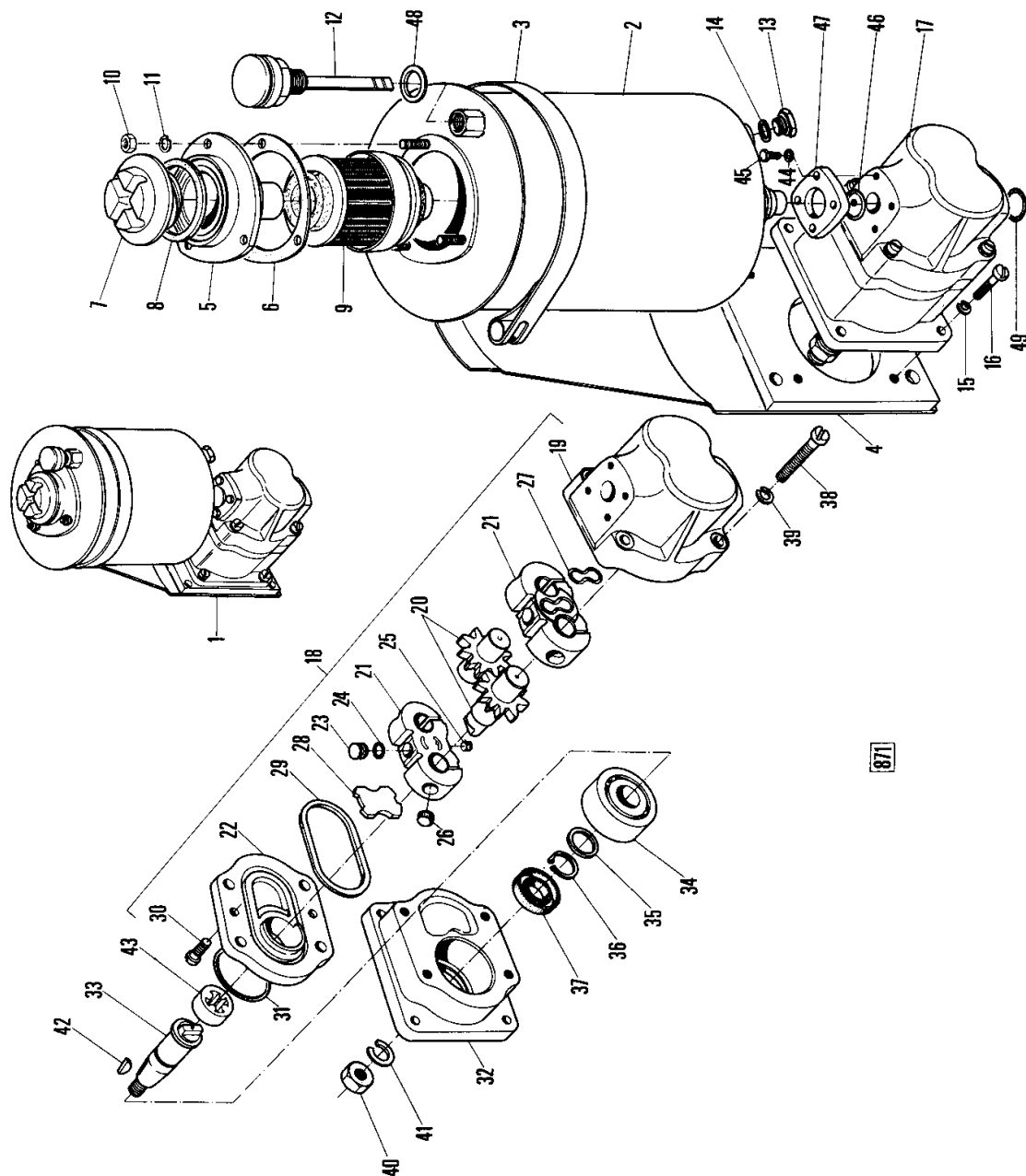
(A)
WEARING PARTS

70-9

HYDRAULIKPUMPE
MIT ÖLBEHÄLTER
ab Serien-Nr. 8110

HYDRAULIC PUMP
WITH OIL CONTAINER
from No. 8110

POMPE HYDRAULIQUE
AVEC CUVE D'HUILE
à partir du No. 8110



Mähdrösch MF 31

415 718 M2 (Ausgabe 1) 12/70

**MASSEY FERGUSON
MF 31 COMBINE - 415718**

415718

70-9

HYDRAULIC PUMP WITH OIL CONTAINER

| Item | Part Number | Qty | Description | Comments |
|------|-------------|-----|--------------|-----------------------------------|
| | | | | From Serial or Engine Number 8110 |
| 1 | 417737M1 | 1 | Pump | |
| 2 | 1717422M1 | 1 | Reservoir | |
| 3 | 1717423M1 | 1 | Clamp | |
| 4 | 1717424M1 | 1 | Plate | |
| 5 | 1717425M1 | 1 | Cover | |
| 6 | 1717426M1 | 1 | Gasket | (A) |
| 7 | 1717427M1 | 1 | Plug | |
| 8 | 1717428M1 | 1 | Ring | (A) |
| 9 | 1717429M1 | 1 | Element | (A) |
| 10 | 339030X1 | 3 | Nut Metric | |
| 11 | 339375X1 | 3 | Lock Washer | |
| 12 | 1717421M1 | 1 | Filter | |
| 13 | 1441060X1 | 1 | Plug | |
| 14 | 1440993X1 | 1 | Seal | (A) |
| 15 | 339374X1 | 4 | Lock Washer | |
| 16 | 391485X1 | 4 | Screw | |
| 17 | 1717430M91 | 1 | Pump | |
| 18 | 1717432M91 | 1 | Body | |
| 19 | | | Housing | Not serviced, order BODY ASSY. |
| 20 | | | Pinion | Not serviced, order BODY ASSY. |
| 21 | | | Bearing | Not serviced, order BODY ASSY. |
| 22 | 1717434M1 | 1 | Cover | |
| 23 | 1717435M1 | 2 | Plug | |
| 24 | 1717436M1 | 2 | Ring | |
| 25 | 1717437M1 | 2 | Plug | |
| 26 | 1717438M1 | 4 | Plug | |
| 27 | 1717439M1 | 2 | Gasket | (A) |
| 28 | 1717440M1 | 1 | Spacer | |
| 29 | 1717441M1 | 1 | Ring | (A) |
| 30 | 391308X1 | 2 | Screw Metric | |
| 31 | 1717442M1 | 1 | Gasket | |
| 32 | 1717443M1 | 1 | Cover | |
| 33 | 1717444M1 | 1 | Shaft | |
| 34 | 1441768X1 | 1 | Bearing | |
| 35 | 1717445M1 | 1 | Washer | |
| 36 | 1440475X1 | 1 | Circlip | |
| 37 | 1717446M1 | 1 | Ring | (A) |
| 38 | 339505X1 | 4 | Screw Metric | |
| 39 | 339374X1 | 4 | Lock Washer | |
| 40 | 339571X1 | 1 | Nut Metric | |
| 41 | 339380X1 | 1 | Washer | |
| 42 | 1440360X1 | 1 | Key Door | |
| 43 | 1717476M1 | 1 | Driving | |
| 44 | 339375X1 | 4 | Lock Washer | |
| 45 | 339666X1 | 4 | Screw Metric | |
| | 1717371M1 | 1 | Ring | (A) |
| 47 | 1717447M1 | 1 | Flange | |
| 48 | 1700551M1 | 1 | Ring | |
| 49 | 1717475M1 | 1 | Ring | |

(A)
WEARING PARTS