

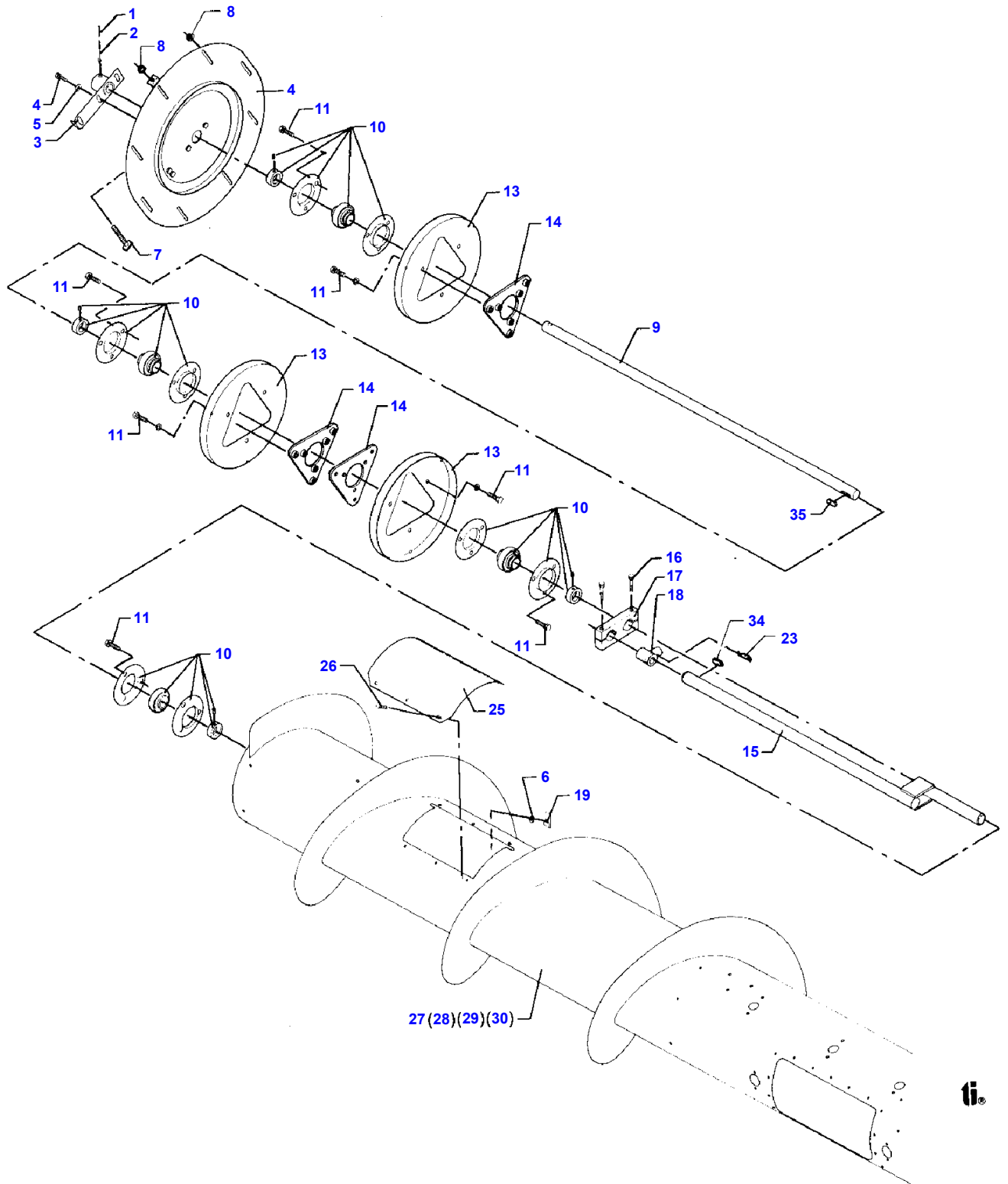
KNIVES AND FINGERS - FREEFLOW

Item	Part Number	Qty	Description	Comments
1	D28283934	19	Pliers	(F3)
	D28283934	15	Pliers	(S4)
	D28283934	17	Pliers	(T8)
	D28283934	21	Pliers	(F4)
3	D28280809	1	Guard	
4	D40551600		Bolt	
5	D41010800		Nut Metric	
6	D28260535	1	Finger	
8	D44102900	39	Finger	(F3)
	D44102900	31	Finger	(S4)
	D44102900	35	Finger	(T8)
	D44102900	43	Finger	(F4)
9	D28260531	1	Finger	
12	D28283104	1	Support	
13	D40423700	4	HEXAGON SCREW	
14	D20400414	8	Washer	
15	D41010700	4	Nut Metric	
	D28283009	2	Knife Back	(T8) 18'
	D28283010	2	Knife Back	(F3) 20'
	D28283308	2	Knife Back	(S4) 16'
	D28283865	2	Knife Back	(F4)
19	D28283011	2	Knife Head	
20	D28281490	2	Knife Back	(S4) 16'
20	D28281491	2	Knife Back	(T8) 18'
20	D28281492	2	Knife Back	(F3) 20'
20	D28281493	2	Knife Back	(F4) 22'
21	D44103700		Section	(5)
22	D44103800	1	Half Section	
23	D41306100		Rivet	(5)
24	D41306200		Rivet	(5)
25	D44104000	1	Half Section	
29	D49040200		Ear Lifter	
30	D49040400		Spring	
31	D40426100		Screw	
32	D49040600		Roller	
33	D40426100		Screw	
34	D40402400	2	Screw Metric	
35	D26500317	2	Spring	
36	D28230841	2	Spring	
37	D28230842	2	Guard	(F4)
	D28230843	1	Guard	(70)
	D28230844	1	Guard	(F3)
	D28230845	1	Guard	(S4)
	D28230842	2	Guard	(T8)
	D28230844	1	Guard	(S4)
	D28230845	1	Guard	(F3)
	D28281067	1	Wobble Drive	POS. 38-85
38	D44127800	1	Box	
39	D44128800	1	Bearing Needle	
41	D46116500	1	Valve	
42	D44129100	1	Nut	
43	D44129200	1	Washer	
44	D41668400	2	Bearing Roller	
45	D44127900	1	Housing	
46	D44128000	2	Journal	
47	D44129300	1	Shaft	
48	D44128200	1	Cover	
49	D41100700	6	Washer	
50	D40404900	6	Screw Metric	
51	D41669700	1	Bearing Needle	
52	D44128900	1	Seal	
53	D45481500	1	O Ring	
54	D44128300	1	Bearing Carrier	

MASSEY FERGUSON**MF 38 COMBINE, ->| 47597 - 1810921A****1810921A****KNIVES AND FINGERS - FREEFLOW****1-1**

Item	Part Number	Qty	Description	Comments
55	D41100700	2	Washer	
56	D40697200	2	Screw	
57	D40639600	2	Pin	
58	D44128400	2	Bush	
59	D44128500	1	Yoke	
60	D41669800	3	Bearing Needle	
61	D45409500	1	Seal	
62	D44128600	1	Plug	
63	D45236200	1	Plug	
64	D44127100	1	Hub	
65	D41100900	1	Washer	
66	D40694000	1	Screw	
67	D41985600	1	Belt	
69	D20400426	4	Washer	
70	D40410900	4	Screw	
74	D20400523	4	Spacer	
75	D40465400	4	Screw	
79	D40698400	2	Screw	
80	D20400438	2	Washer	
83	D41087700	1	Locknut	
84	D20400428	1	Washer	
85	D40429400	1	HEXAGON SCREW	
86	D41409100	1	SPLIT PIN	
87	D41054300	1	Nut	
88	D44126900	1	Flange	
89	D44127000	1	Swivel Arm	
90	D44127200	1	Pulley	
91	D28280986	4	Dog	
92	D28260362		Clip	(5)
93	D40067200		Screw	
94	D20400419		Washer	
95	D49040300		Ear Lifter	
96	D28283109	1	Support	

(F3)
20'
(F4)
22'
(S4)
16'
(T8)
18'
(5)
OPTIONAL
(70)
20' - 22'



MASSEY FERGUSON

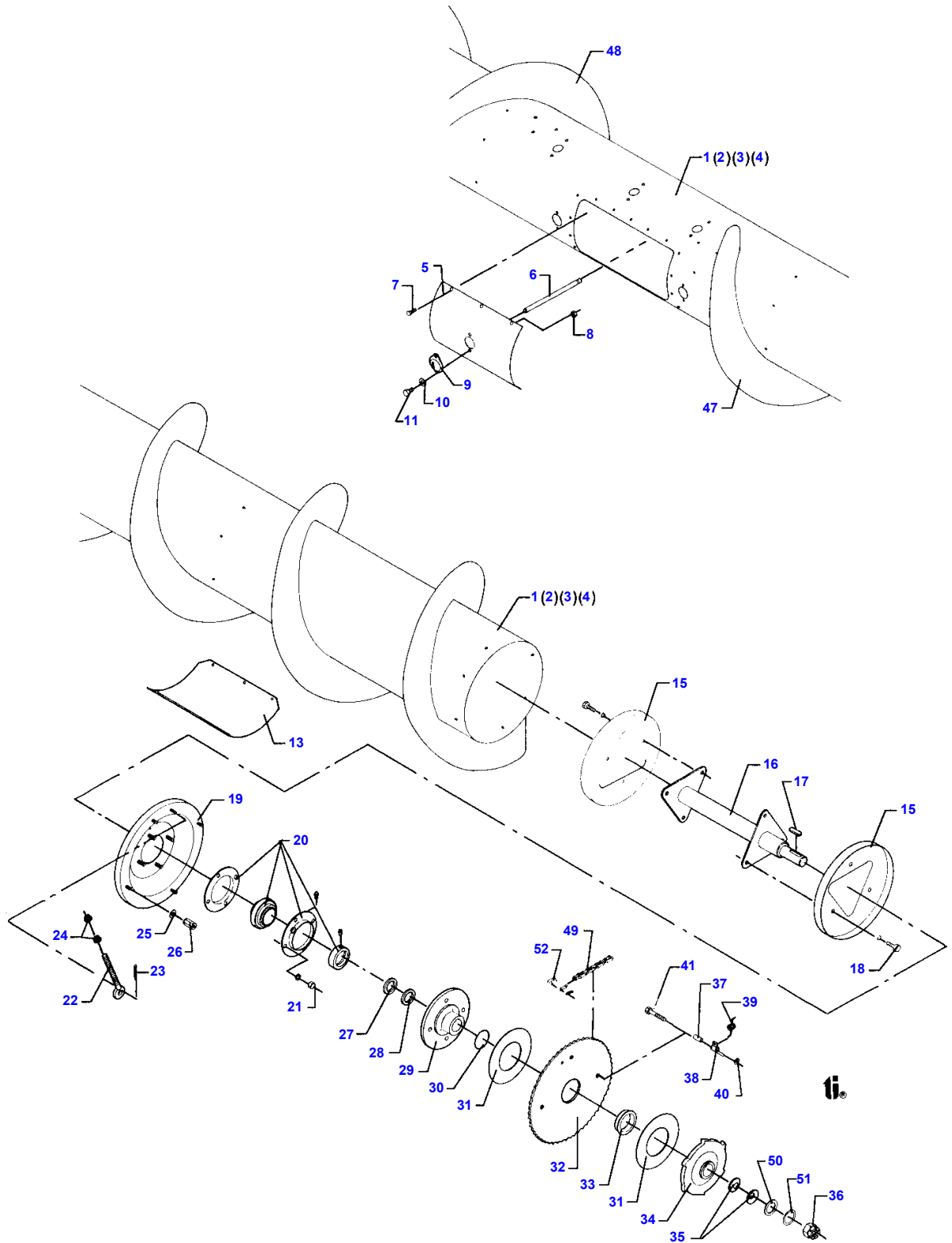
MF 38 COMBINE, ->| 47597 - 1810921A

1810921A

FEEDER DRUM 1 - FREEFLOW

1-2

Item	Part Number	Qty	Description	Comments
1	D40404700	1	Screw Metric	
2	D20400506	1	Spacer	
4	D28280040	1	Plate	
5	D28283029	1	Adjuster	
6	D20400470	12	Washer	
7	D28211023	1	Bolt	
8	D41013600	2	Nut	
	D28283073	1	Crank	(F3) 20' CPL
	D28283075	1	Crankshaft	(T8) 18' CPL
	D28283785	1	Crankshaft	(S4) 16' CPL
	D28283874	1	Crankshaft	(F4)
9	D28283036	1	Crankshaft	(T8) 18'
9	D28283037	1	Crank	(F3) 20'
9	D28283768	1	Crankshaft	(S4) 16'
9	D28283871	1	Crankshaft	(F4)
10	D41707800	4	Flange	
11	D40407900	24	Screw Metric	
13	D28280014	4	Plate	
14	D28283847	4	Bearing Plate	
15	D28283016	1	Crankshaft	
16	D40426100	2	Screw	
17	D28283039	1	Arm	
18	D28251831	15	Bearing	
19	D43428200	12	Nut	
23	D28283853	15	Hair Pin	
25	D28283070	1	Cover	
26	D40402600	12	Screw Metric	
27	D28283125	1	Drum	(F3)
	D28283134	1	Drum	(T8) 18'
27	D28283790	1	Drum	(S4) 16'
27	D28283870	1	Drum	(F4)
28	D28283012	1	Shell	
29	D28283031	1	Shell	(F3) Left Hand
29	D28283033	1	Shell	(T8) Left Hand
29	D28283794	1	Shell	(S4) Left Hand
29	D28283875	1	Shell	(F4) Left Hand
30	D28283032	1	Shell	(T8) Right Hand
30	D28283034	1	Shell	(F3) Right Hand
30	D28283795	1	Shell	(S4) Right Hand
30	D28283876	1	Shell	(F4) Right Hand
32	D42616400	1	Pin	
33	D42625300	1	Pin	
34	D43104700	1	Key	
35	D43104700	1	Key	(F3) 20' (F4) 22' (S4) 16' (T8) 18'



MASSEY FERGUSON

MF 38 COMBINE, ->| 47597 - 1810921A

1810921A

FEEDER AUGER 2 - FREEFLOW

1-3

Item	Part Number	Qty	Description	Comments
1	D28283125	1	Drum	(F3)
	D28283134	1	Drum	(T8) 18'
1	D28283790	1	Drum	(S4) 16'
1	D28283870	1	Drum	(F4)
2	D28283012	1	Shell	
3	D28283031	1	Shell	(F3) Left Hand
3	D28283033	1	Shell	(T8) Left Hand
3	D28283794	1	Shell	(S4) Left Hand
3	D28283875	1	Shell	(F4) Left Hand
4	D28283032	1	Shell	(T8) Right Hand
4	D28283034	1	Shell	(F3) Right Hand
4	D28283795	1	Shell	(S4) Right Hand
4	D28283876	1	Shell	(F4) Right Hand
5	D28283078	1	Cover	
6	D28283815	15	Spike	
7	D40402200		Screw Metric	
8	D41087400		Locknut	
9	D28283060	15	Bush	
10	D20400404		Washer	
11	D40402600		Screw Metric	
13	D28283070	1	Cover	
14	D40402600		Screw Metric	
15	D28280014	4	Plate	
16	D28283007	1	Drive Shaft	
17	D43106800	1	Key	
18	D40407900		Screw Metric	
19	D28283053	1	Plate	Left Hand
20	D41716500	1	Bearing	
21	D41010900	4	Nut Metric	
22	D28281387	1	Screw	
23	D41408900	1	Pin	
24	D41013600	2	Nut	
25	D20400416	4	Washer	
26	D28280729	4	Nut	
27	D28280956	2	Ring	
28	D28281029	2	Spacer	
29	D28283004	1	Washer	
30	D45481600	1	Ring	
31	D45904300	2	Facing	
32	D28283008	1	Sprocket	
33	D28283000	1	Insert	
34	D28283003	1	Washer	
35	D41112400	10	Washer	
36	D41054100	1	Castle Nut	
37	D28281431	1	Spacer	
38	D28281432	1	Carrier	
39	D28283006	1	Spring	
40	D20400507	1	Spacer	
41	D40426100	1	Screw	
47	D28280006	1	Spiral	(F3)
	D28280053	1	Spiral	(T8)
	D28280054	1	Spiral	(S4)
	D28280068	1	Spiral	(F4)
48	D28280005	1	Spiral	(F3)
	D28280051	1	Spiral	(T8)
	D28280052	1	Spiral	(S4)
	D28280067	1	Spiral	(F4)
49	D42329300	1	Chain	115
50	D20400520	4	Spacer	
51	D20400523	1	Spacer	

MASSEY FERGUSON

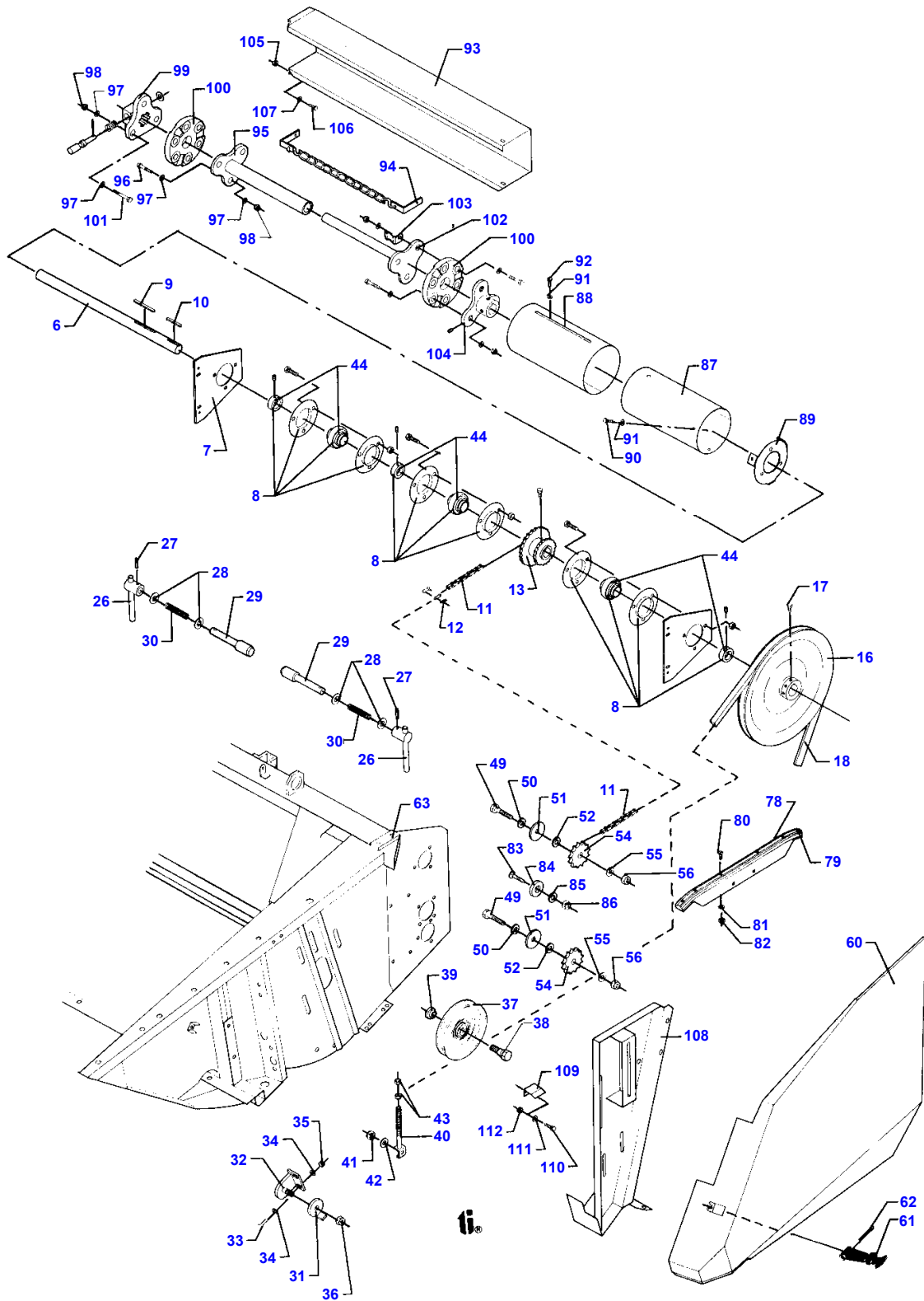
MF 38 COMBINE, ->| 47597 - 1810921A

1810921A

FEEDER AUGER 2 - FREEFLOW

1-3

Item	Part Number	Qty	Description	Comments
				(F3)
				20'
				(F4)
				22'
				(S4)
				16'
				(T8)
				18'



MASSEY FERGUSON

MF 38 COMBINE, ->| 47597 - 1810921A

1810921A

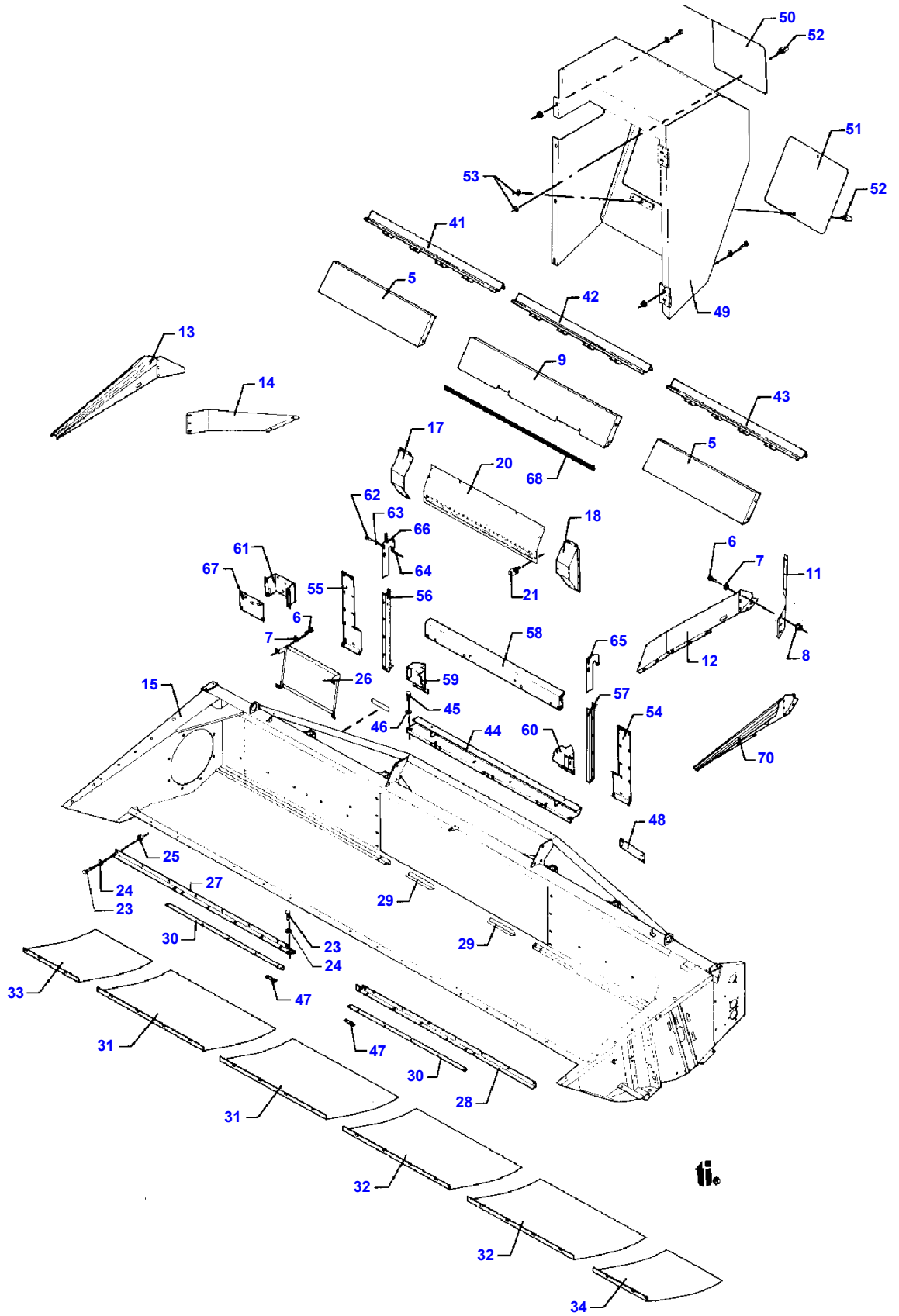
GUARDING AND REDUCING EQUIPMENT - FREEFLO

1-4

Item	Part Number	Qty	Description	Comments
1	D28283160	1	Guard	
2	D28281468	1	Cover	
3	D28280958	1	Cover	
4	D43427500	4	Pin	
5	D42555500	4	Circlip	
6	D28280270	1	Countershaft	(F4) 22'
6	D28283409	1	Shaft	(F3)
	D28283485	1	Shaft	(S4) 16'
6	D28283486	1	Shaft	(T8) 18'
7	D28283099	2	Support	
8	D41707800	3	Flange	
9	D43114900	1	Key	
10	D43105000	1	Key	
11	D42329600	1	Chain	
12	D42365100	1	Link	
13	D28280225	1	Sprocket	
14	D40466200	3	Setscrew	
16	D28280281	1	Pulley	
17	D40466700	3	Screw Metric	
18	D41985600	1	Belt	
26	D28283281	1	Arm	
27	D42612200	2	Pin	
28	D20400523	4	Spacer	
29	D28283200	2	Shaft	
30	D27100794	2	Spring	
31	D28251593	2	Lock Washer	
32	D28251594	2	Bracket	
33	D40407700	4	Screw	
34	D20400507	8	Spacer	
35	D41087600	4	Locknut	
36	D41087900	2	Locknut	
37	D28760159	1	Pulley	
38	D28760156	1	Screw	
39	D28760155	1	Bush	
40	D28260181	1	Bolt	
41	D41087900	1	Locknut	
42	D20400416	1	Washer	
43	D41010800	2	Nut Metric	
44	D41663500	3	Bearing Ball	
49	D40433600	2	HEXAGON SCREW	
50	D20400463	2	Washer	
51	D20400460	6	Washer	
52	D20400518	5	Spacer	
54	D41716800	2	Tightener	
55	D20400516	4	Spacer	
56	D41087900	2	Locknut	
60	D28283156	1	Cowl	
61	D44737100	1	Rubber Strap	
62	D41410900	1	SPLIT PIN	
63	D28283689	1	Housing	(S4)
	D28283690	1	Housing	(T8)
	S28283691	1	Housing	(F3)
	D28283858	1	Housing	(F4)
78	D28280787	1	Rail	
79	D28281365	1	Crossmember	
80	D40609300	6	Screw	
81	D20400453	6	Washer	
82	D41087200	6	Locknut	
83	D40073100	1	Screw	
84	D28280981	1	Spacer	
85	D20400459	1	Washer	
86	D41087900	1	Locknut	
87	D28282105	1	Guard	
88	D28282110	1	Guard	
89	D28280834	1	Ring	
90	D40404700	3	Screw Metric	
91	D20400506	4	Spacer	

MASSEY FERGUSON**MF 38 COMBINE, ->| 47597 - 1810921A****1810921A****GUARDING AND REDUCING EQUIPMENT - FREEFLO****1-4**

Item	Part Number	Qty	Description	Comments
92	D43385200	1	Screw	
93	D28283415	1	Guard	(S4)
93	D28283416	1	Guard	(T8)
93	D28283417	1	Guard	(F3)
93	D28283864	1	Guard	(F4)
94	D28280726	1	Chain	
95	D44127500	1	Tube	
96	D40408300	6	Screw Metric	
97	D20400471	18	Washer	
98	D41087600	9	Locknut	
99	D44127300	1	Clutch	
100	D44127400	2	Vibration Mount	
101	D40408500	3	Screw	
102	D44127600	1	Shaft	
103	D44129000	1	Spring	
104	D28280301	1	Flange	
105	D41010800	1	Nut Metric	
106	D40402400	2	Screw Metric	
107	D20400404		Washer	
108	D28283090	1	Plate	
109	D28283098	1	Fitting	
110	D40404900	2	Screw Metric	
111	D20400506	2	Spacer	
112	D41013500	2	Nut	
				(F3)
				20'
				(F4)
				22'
				(S4)
				16'
				(T8)
				18'



MASSEY FERGUSON

MF 38 COMBINE, ->| 47597 - 1810921A

1810921A

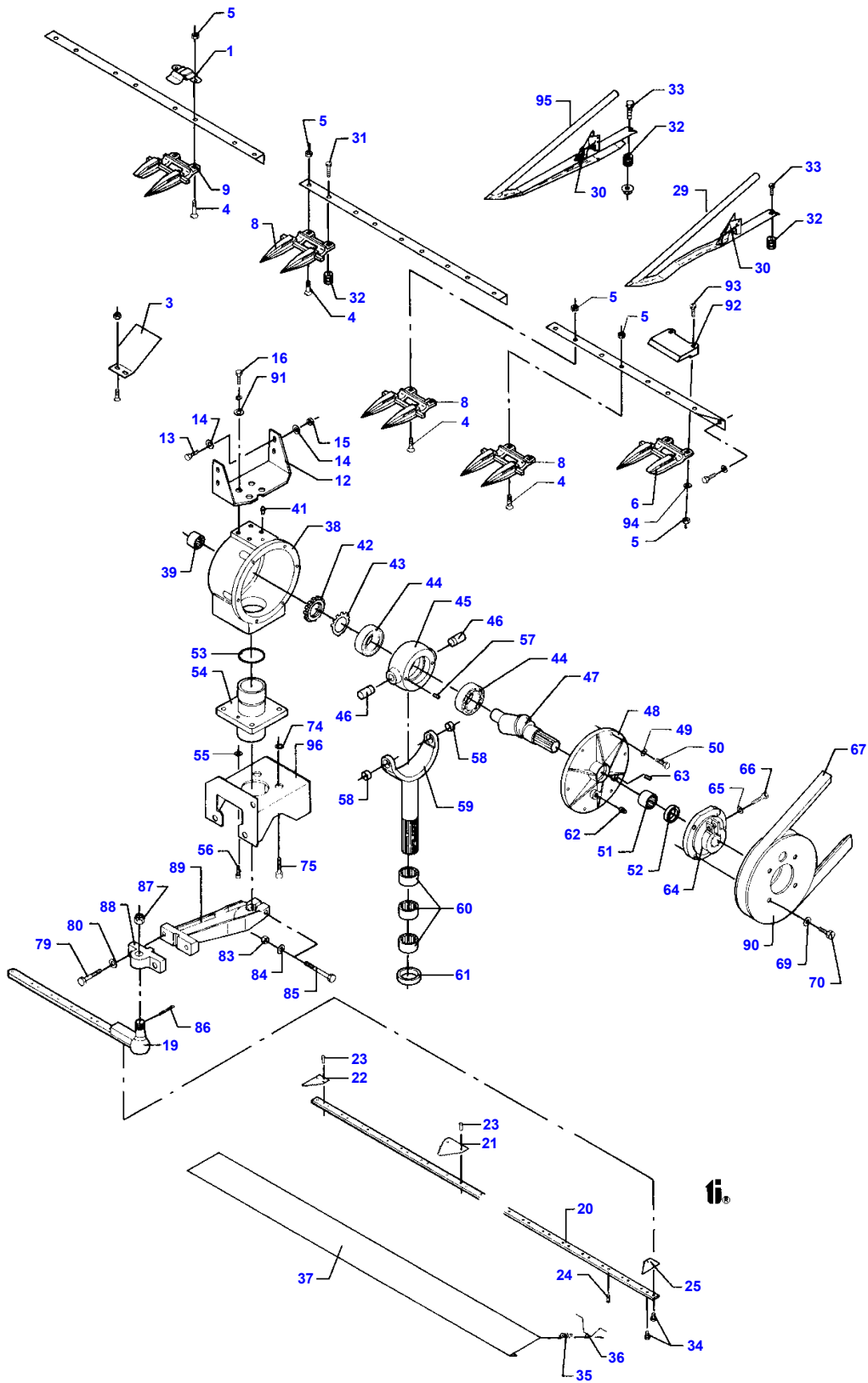
TABLE HOUSING WITH GUARDING - FREEFLO

1-5

Item	Part Number	Qty	Description	Comments
5	D28283237	1	Cowl	(T8)
	D28283238	1	Cowl	(F3)
	D28283427	1	Cowl	(S4)
	D28283862	1	Cowl	(F4)
6	D40404900		Screw Metric	
7	D20400409		Washer	
8	D41013500		Nut	
9	D28283236	1	Cowl	
11	D28283233	1	Cowl	
12	D28280689	1	Side	
13	D28283516	1	Side	
14	D28283232	1	Cowl	
15	D28283689	1	Housing	(S4)
	D28283690	1	Housing	(T8)
	D28283691	1	Housing	(F3)
	D28283858	1	Housing	(F4)
17	D28283317	1	Guard	Right Hand
18	D28283318	1	Guard	Left Hand
20	D28280585	1	Shutter	
21	D43427200	6	Pin	
22	D42555500	6	Circlip	
23	D40404900	8	Screw Metric	
24	D20400500	8	Spacer	
25	D41013500	8	Nut	
26	D28251573	1	Retainer	(S4)
	D28281024	1	Retainer	(G3)
27	D28283330	1	Deflector	(S4)
	D28283331	1	Deflector	(T8)
	D28283332	1	Deflector	(F3)
	D28283860	1	Deflector	(F4)
28	D28283335	1	Deflector	(S4)
	D28283336	1	Deflector	(T8)
	D28283337	1	Deflector	(F3)
	D28283859	1	Deflector	(F4)
29	D28283293	2	Bar	
30	D28283324	2	Deflector	(F3)
	D28283325	2	Deflector	(T8)
	D28283326	2	Deflector	(S4)
	D28283861	2	Deflector	(F4)
31	D28283256	3	Plate	(S4)
	D28283256	2	Plate	(T8)
	D28283256	4	Plate	(F3)
	D28283256	3	Plate	(F4)
32	D28283255	2	Plate	(E7)
33	D28283253	1	Plate	Right Hand
34	D28283254	1	Wearplate	Left Hand
35	D41087500		Locknut	
36	D40423700		HEXAGON SCREW	
37	D20400409		Washer	
41	D28283701	1	Stone Trap	
42	D28283704	1	Stone Trap	(S4)
	D28283705	1	Stone Trap	(F4)
	D28283706	1	Stone Trap	(F3)
	D28283704	1	Stone Trap	(F4)
	D28283705	1	Stone Trap	(T8)
43	D28283702	1	Stone Trap	Left Hand
44	D28283199	1	Profile	
45	D40407800	8	HEXAGON SCREW	
46	D20400415	8	Washer	
47	D28283321	4	Clamp	
48	D28283596	1	Cover	
49	D28283160	1	Guard	
50	D28281468	1	Cover	
51	D28280958	1	Cover	
52	D43427500	2	Pin	
53	D42555500	2	Circlip	
54	D28283197	1	Plate	Left Hand
55	D28283196	1	Plate	Right Hand
56	D28283204	1	Profile	Right Hand
57	D28283203	1	Profile	Left Hand

MASSEY FERGUSON**MF 38 COMBINE, ->| 47597 - 1810921A****1810921A****1-5****TABLE HOUSING WITH GUARDING - FREEFLO**

Item	Part Number	Qty	Description	Comments
58	D28283228	1	Profile	
59	D28283209	1	Console	Right Hand
60	D28283210	1	Console	Left Hand
61	D28283540	1	Bracket	
62	D40433300	2	HEXAGON SCREW	
63	D20400458	2	Washer	
64	D41087900	2	Locknut	
65	D28283260	1	Hook	
66	D28283261	1	Hook	
67	D28283568	1	Cover	
68	D28283557		Tensioner	
70	D28283938	1	Plate	(3) (E7) 18' AND 22' (F3) 20' (F4) 22' (G3) 18' - 20' AND 22' (S4) 16' (T8) 18' (3) OPTIONAL EQUIPMENT

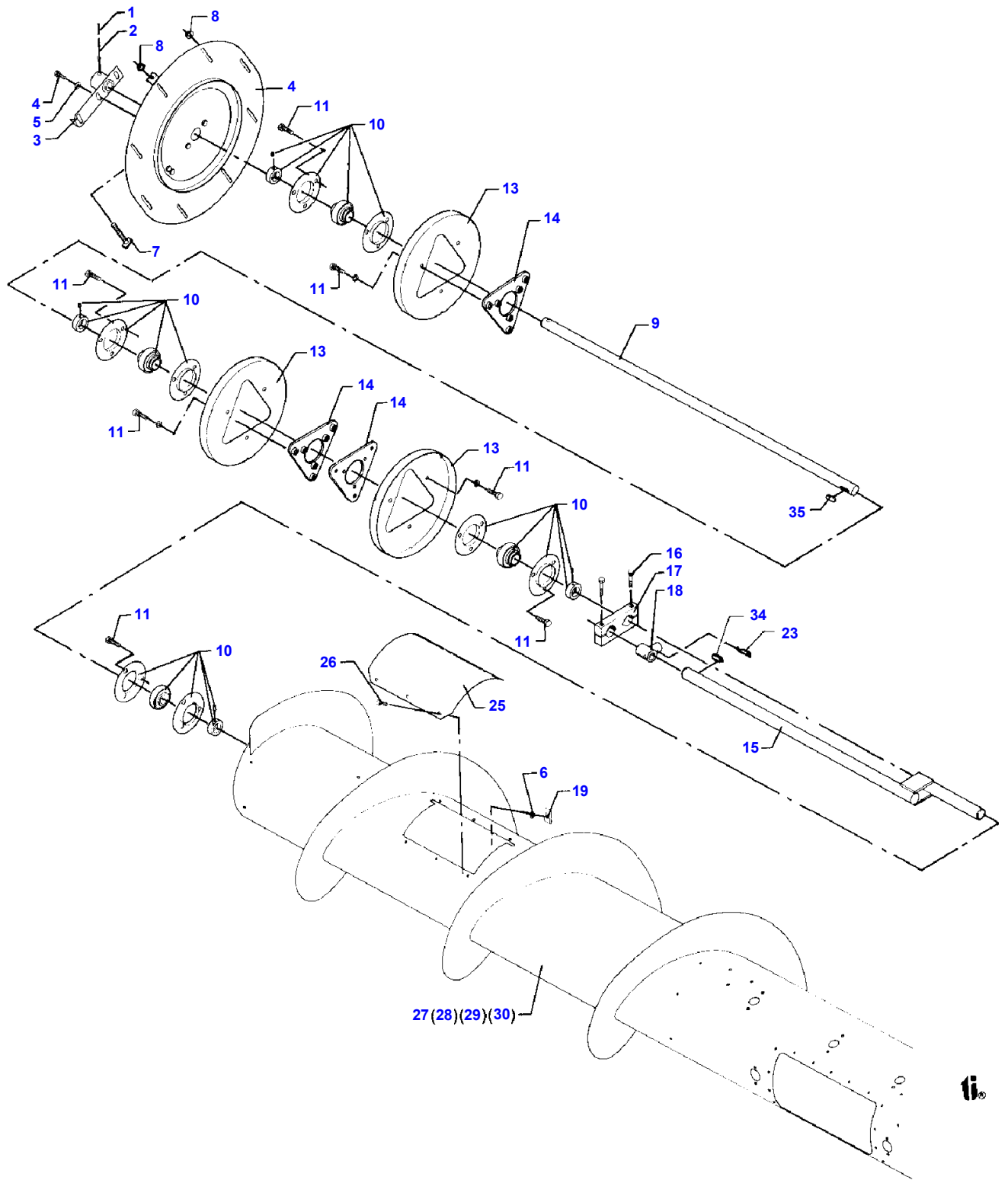


KNIVES AND FINGERS - POWERFLOW

Item	Part Number	Qty	Description	Comments
1	D28283934	19	Pliers	(F3)
	D28283934	15	Pliers	(S4)
	D28283934	17	Pliers	(T8)
3	D28280809	1	Guard	
4	D40551600		Bolt	
5	D41010800		Nut Metric	
6	D28260535	1	Finger	
8	D44102900	39	Finger	(F3)
	D44102900	31	Finger	(S4)
	D44102900	35	Finger	(T8)
9	D28260531	1	Finger	
12	D28283104	1	Support	
13	D40423700	4	HEXAGON SCREW	
14	D20400414	8	Washer	
15	D41010700	4	Nut Metric	
	D28283009	2	Knife Back	(T8) 18'
	D28283010	2	Knife Back	(F3) 20'
	D28283308	2	Knife Back	(S4) 16'
19	D28283011	2	Knife Head	
20	D28281490	2	Knife Back	(S4) 16'
20	D28281491	2	Knife Back	(T8) 18'
20	D28281492	2	Knife Back	(F3) 20'
21	D44103700		Section	
22	D44103800		Half Section	
23	D41306100		Rivet	
24	D41306200		Rivet	
25	D44104000	1	Half Section	
29	D49040200		Ear Lifter	
30	D49040400		Spring	
31	D40426100		Screw	
32	D49040600		Roller	
33	D40426100		Screw	
34	D40402400	2	Screw Metric	
35	D26500317	2	Spring	
36	D28230841	2	Spring	
37	D28230842	2	Guard	(T8)
	D28230843	1	Guard	(F3)
	D28230844	1	Guard	(F3)
	D28230845	1	Guard	(S4)
	D28230845	1	Guard	(F3)
	D28230844	1	Guard	(S4)
	D28281067	1	Wobble Drive	POS. 38-85
38	D44127800	1	Box	
39	D44128800	1	Bearing Needle	
41	D46116500	1	Valve	
42	D44129100	1	Nut	
43	D44129200	1	Washer	
44	D41668400	2	Bearing Roller	
45	D44127900	1	Housing	
46	D44128000	2	Journal	
47	D44129300	1	Shaft	
48	D44128200	1	Cover	
49	D41100700	6	Washer	
50	D40404900	6	Screw Metric	
51	D41669700	1	Bearing Needle	
52	D44128900	1	Seal	
53	D45481500	1	O Ring	
54	D44128300	1	Bearing Carrier	
55	D41100700	2	Washer	
56	D40697200	2	Screw	
57	D40639600	2	Pin	
58	D44128400	2	Bush	
59	D44128500	1	Yoke	
60	D41669800	3	Bearing Needle	

MASSEY FERGUSON**MF 38 COMBINE, ->| 47597 - 1810921A****1810921A****KNIVES AND FINGERS - POWERFLOW****1-6**

Item	Part Number	Qty	Description	Comments
61	D45409500	1	Seal	
62	D44128600	1	Plug	
63	D45236200	1	Plug	
64	D44127100	1	Hub	
65	D41100900	1	Washer	
66	D40694000	1	Screw	
67	D41986300	1	V Belt	
69	D20400426	4	Washer	
70	D40410900	4	Screw	
74	D20400523	4	Spacer	
75	D40465400	4	Screw	
79	D40698400	2	Screw	
80	D20400438	2	Washer	
83	D41087700	1	Locknut	
84	D20400428	1	Washer	
85	D40429400	1	HEXAGON SCREW	
86	D41054300	1	Nut	
88	D44126900	1	Flange	
89	D44127000	1	Swivel Arm	
90	D44127200	1	Pulley	
91	D28280986	4	Dog	
92	D28260362		Clip	(5)
93	D40067200		Screw	
94	D20400419		Washer	
95	D49040300		Ear Lifter	
96	D28283109	1	Support	(F3) 20' (S4) 16' (T8) 18' (5) OPTIONAL



MASSEY FERGUSON

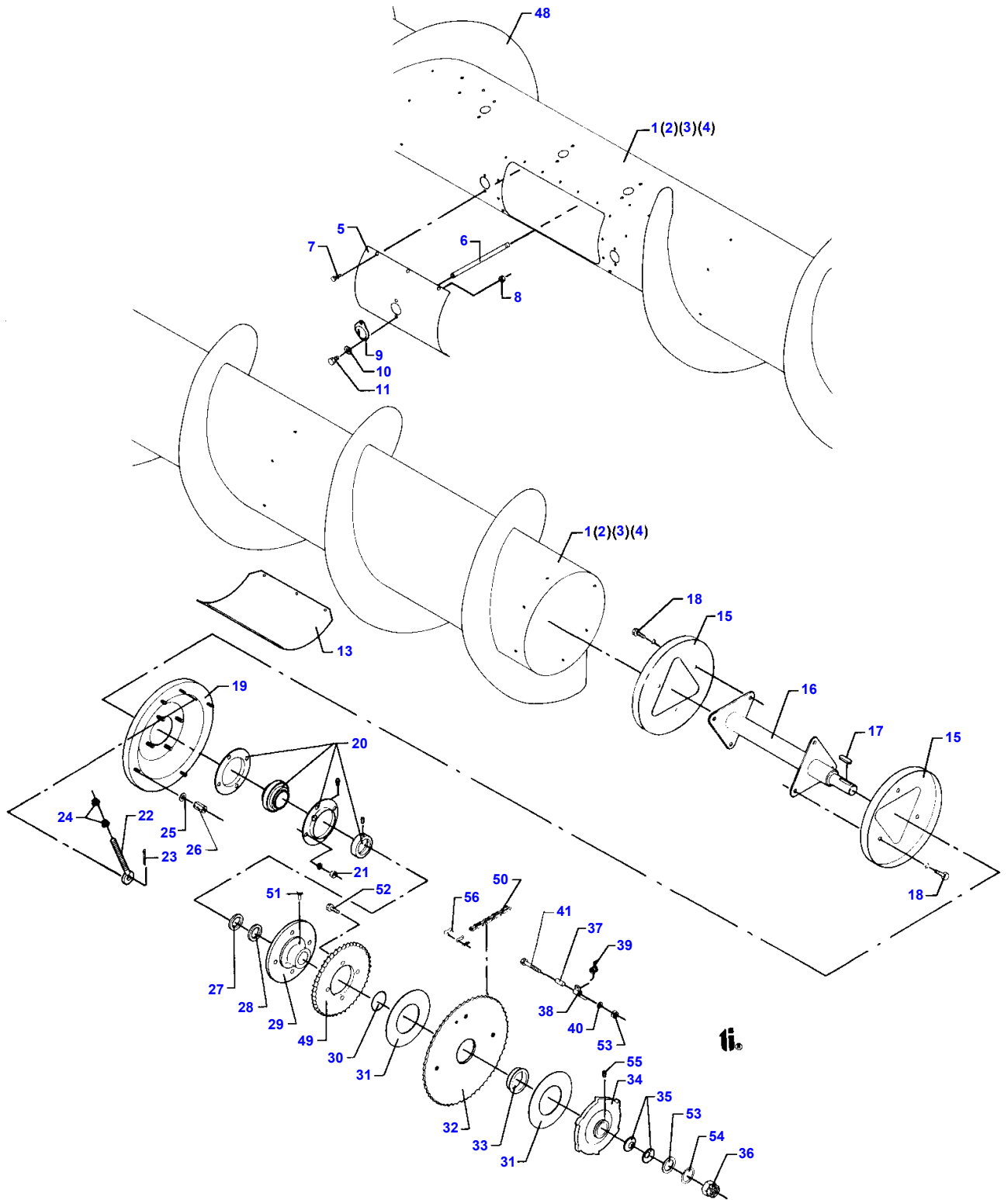
MF 38 COMBINE, ->| 47597 - 1810921A

1810921A

1-7

FEEDER DRUM 1 - POWERFLOW

Item	Part Number	Qty	Description	Comments
1	D40404700	1	Screw Metric	
2	D20400506	1	Spacer	
47	D28283041	1	Plate	
5	D28283028	1	Support	
6	D20400470	12	Washer	
7	D28211023	1	Bolt	
8	D41013600	2	Nut	
	D28283073	1	Crank	(F3) POS. 9-18 20'
	D28283075	1	Crankshaft	(T8) POS. 9-18 18'
	D28283785	1	Crankshaft	(S4) POS. 9-18 16'
9	D28283036	1	Crankshaft	(T8)
	D28283037	1	Crank	(F3)
	D28283768	1	Crankshaft	(S4)
10	D41707800	4	Flange	
11	D40407900	24	Screw Metric	
13	D28280014	4	Plate	
14	D28283847	4	Bearing Plate	
15	D28283016	1	Crankshaft	
16	D40426100	2	Screw	
17	D28283039	1	Arm	
18	D28251831	15	Bearing	
19	D43428200	12	Nut	
23	D28283853	15	Hair Pin	
25	D28283070	15	Cover	
26	D40402200		Screw Metric	
27	D28283148	1	Drum	(F3)
	D28283813	1	Drum	(S4)
	D28283814	1	Drum	(T8)
28	D28283869	1	Housing	
29	D28283058	1	Housing	(F3) Left Hand
29	D28283804	1	Shell	(S4) Left Hand
29	D28283805	1	Shell	(T8) Left Hand
30	D28283059	1	Housing	(F3) Right Hand
30	D28283800	1	Shell	(S4) Right Hand
30	D28283801	1	Shell	(T8) Right Hand
32	D42616400	1	Pin	
33	D42625300	1	Pin	
34	D43104700	1	Key	
35	D43104700	1	Key	(F3) 20' (S4) 16' (T8) 18'



MASSEY FERGUSON

MF 38 COMBINE, ->| 47597 - 1810921A

1810921A

FEEDER DRUM 2 - POWERFLOW

1-8

Item	Part Number	Qty	Description	Comments
1	D28283148	1	Drum	(F3)
	D28283813	1	Drum	(S4)
	D28283814	1	Drum	(T8)
2	D28283869	1	Housing	
3	D28283058	1	Housing	(F3)
				Left Hand
3	D28283804	1	Shell	(S4)
				Left Hand
3	D28283805	1	Shell	(T8)
				Left Hand
4	D28283059	1	Housing	(F3)
				Right Hand
4	D28283800	1	Shell	(S4)
				Right Hand
4	D28283801	1	Shell	(T8)
				Right Hand
5	D28283078	1	Cover	
6	D28283815	15	Spike	
7	D40402200	8	Screw Metric	
8	D41087400		Locknut	
9	D28283060	15	Bush	
10	D20400404		Washer	
11	D40402600		Screw Metric	
13	D28283070	2	Cover	
14	D40402200	2	Screw Metric	
15	D28280014	4	Plate	
16	D28283104		Support	
17	D43106800	1	Key	
18	D40407900		Screw Metric	
19	D28283053	1	Plate	
20	D41716500	1	Bearing	
21	D41010900	4	Nut Metric	
22	D28281387	1	Screw	
23	D41408800	1	Pin	
24	D41013600	2	Nut	
25	D20400416	4	Washer	
26	D28280729	4	Nut	
27	D28280956	2	Ring	
28	D28281029	2	Spacer	
29	D28283004	1	Washer	
30	D45481600	1	Ring	
31	D45904300	2	Facing	
32	D28283153	1	Sprocket	
33	D28283000	1	Insert	
34	D28283003	1	Washer	
35	D41112400	10	Washer	
36	D41054100	1	Castle Nut	
37	D28281431	1	Spacer	
38	D28281432	1	Carrier	
39	D28283006	1	Spring	
40	D20400507	1	Spacer	
41	D40426100	1	Screw	
47	D28283027	1	Flight	(F3)
	D28283810	1	Flight	(S4)
	D28283811	1	Flight	(T8)
48	D28283057	1	Flight	(F3)
	D28283807	1	Flight	(S4)
	D28283808	1	Flight	(T8)
49	D28283182	1	Sprocket	
50	D42329200	1	Chain	
51	D40405000	1	Screw Metric	
52	D40404900	4	Screw Metric	
53	D20400520	5	Spacer	
54	D20400523	1	Spacer	
55	D43001500	1	Greaser	
56	D42365100	1	Link	
				(F3)
				20'
				(S4)
				16'

MASSEY FERGUSON

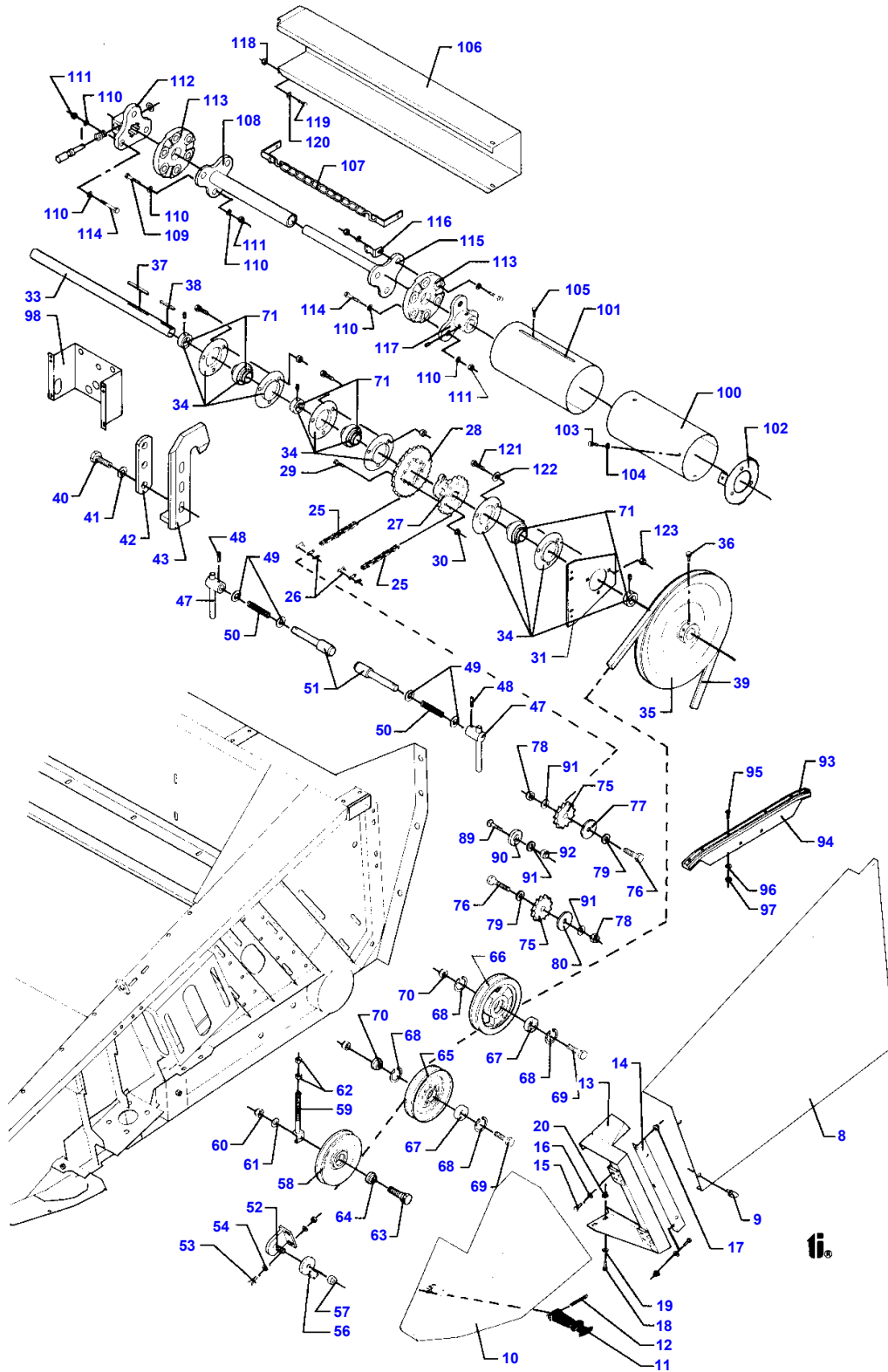
MF 38 COMBINE, ->| 47597 - 1810921A

1810921A

FEEDER DRUM 2 - POWERFLOW

1-8

Item	Part Number	Qty	Description	Comments
				(T8) 18'



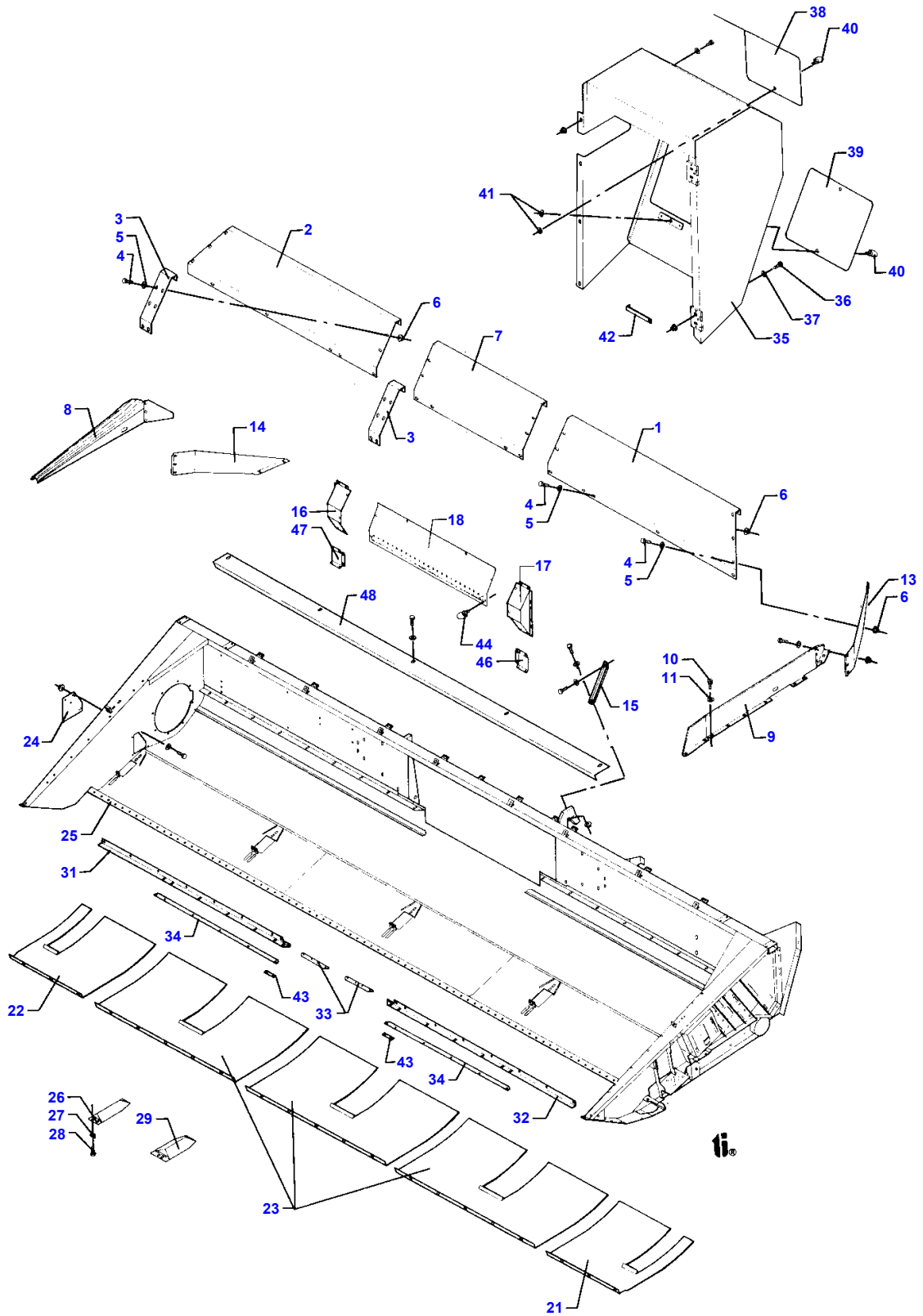
MASSEY FERGUSON**MF 38 COMBINE, ->| 47597 - 1810921A****1810921A****GUARDING AND REDUCING EQUIPMENT - POWER FLOW****1-9**

Item	Part Number	Qty	Description	Comments
8	D28280552	1	Guard	
9	D43427200	2	Pin	
10	D28280549	1	Front	
11	D44737200	1	Rubber Strap	
12	D41410900	1	SPLIT PIN	
13	D28280541	1	Post	
14	D28280550	1	Elbow	
15	D40402400	4	Screw Metric	
16	D20400404	4	Washer	
17	D41013400	4	Nut	
18	D40405000	4	Screw Metric	
19	D20400409	4	Washer	
20	D41013500	4	Nut	
25	D42329200	1	Chain	
26	D42365100	1	Link	
27	D28280830	1	Sprocket	
28	D28280827	1	Sprocket	
29	D40405100	8	Screw Metric	
30	D41013500	8	Nut	
31	D28281366	1	Bearing Carrier	
33	D28283409	1	Shaft	(F3)
	D28283485	1	Shaft	(S4)
	D28283486	1	Shaft	(T8)
34	D41707800	3	Flange	
35	D28280281	1	Pulley	
36	D40466700	3	Screw Metric	
37	D43114900	1	Key	
38	D43105000	1	Key	
39	D41986300	1	V Belt	
40	D40418500	3	Screw	
41	D20400521	3	Spacer	
42	D28280652	1	Mounting	
43	D28280295	1	Hook	
47	D28283281	2	Arm	
48	D42612200	2	Pin	
49	D20400523	4	Spacer	
50	D27100794	2	Spring	
51	D28283200	2	Shaft	
52	D28251594	2	Bracket	
53	D40407700	4	Screw	
54	D20400507	8	Spacer	
56	D28251593	2	Lock Washer	
57	D41087900	2	Locknut	
58	D28760159	1	Pulley	
59	D28280851	1	Bolt	
60	D41087900	1	Locknut	
61	D20400416	1	Washer	
62	D41010800	2	Nut Metric	
63	D28760156	1	Screw	
64	D28760155	1	Bush	
65	D28752130	1	Roller	
66	D28280819	1	Pulley	
67	D41622700	2	Bearing Ball	
68	D42513700	2	Circlip	
69	D28760156	2	Screw	
70	D28760155	2	Bush	
71	D41663400	2	Bearing Ball	
75	D41716800	2	Tightener	
76	D40433600	2	HEXAGON SCREW	
77	D20400460	2	Washer	
78	D41087900	3	Locknut	
79	D20400463	1	Washer	
80	D20400460	3	Washer	
89	D40073100	1	Screw	
90	D28280981	1	Spacer	
91	D20400459	1	Washer	
92	D41087900	1	Locknut	
93	D28280787	1	Rail	
94	D28281365	1	Crossmember	
95	D40609300	6	Screw	

MASSEY FERGUSON**MF 38 COMBINE, ->| 47597 - 1810921A****1810921A****GUARDING AND REDUCING EQUIPMENT - POWER FLOW****1-9**

Item	Part Number	Qty	Description	Comments
96	D20400400	6	Washer	
97	D41087200	6	Locknut	
98	D28283540	1	Bracket	
99	D28283769	1	Table	
99	D28283770	1	Table	
99	D28283771	1	Table	
100	D28282105	1	Guard	
101	D28282110	1	Guard	
102	D28280834	1	Ring	
103	D40404700	3	Screw Metric	
104	D20400506	4	Spacer	
105	D43385200	1	Screw	
106	D28283415	1	Guard	(S4)
106	D28283416	1	Guard	(T8)
106	D28283417	1	Guard	(F3)
107	D28280726	1	Chain	
108	D44127500	1	Tube	
109	D40408300	6	Screw Metric	
110	D20400471	18	Washer	
111	D41087600	9	Locknut	
112	D44127300	1	Clutch	
113	D44127400	2	Vibration Mount	
114	D40408500	3	Screw	
115	D44127600	1	Shaft	
116	D44129000	1	Spring	
117	D28280301	1	Flange	
118	D41010800	1	Nut Metric	
119	D40402400	4	Screw Metric	
120	D20400404	4	Washer	
121	D40066700	3	Screw	
122	D20400419	3	Washer	
123	D41087600	3	Locknut	

(F3)
20'
(S4)
16'
(T8)
18'



MASSEY FERGUSON

MF 38 COMBINE, ->| 47597 - 1810921A

1810921A

TABLE HOUSING WITH GUARDING - POWER FLOW

1-10

Item	Part Number	Qty	Description	Comments
1	D28280624	1	Guard	
2	D28280623	1	Guard	
3	D28280692	2	Plate	
4	D40404900		Screw Metric	
5	D20400506		Spacer	
6	D41013500		Nut	
8	D28283554	1	Panel	
9	D28280690	1	Side	
	D28283937	1	Plate	(3)
10	D40402400	9	Screw Metric	
11	D20400404	9	Washer	
12	D41013400	9	Nut	
13	D28280698	1	Guard	
14	D28280699	1	Guard	
15	D28280696		Support	(5)
16	D28283274	1	Guard	
17	D28283275	1	Guard	
18	D28280585	1	Shutter	
21	D28280253	1	Wearplate	(T8)
	D28280257	1	Wearplate	(F3)
	D28280915	1	Wearplate	(S4)
22	D28280254	1	Wearplate	(T8)
	D28280258	1	Wearplate	(F3)
	D28280916	1	Wearplate	(S4)
23	D28280255	3	Wearplate	(T9)
				4'
23	D28280256	3	Wearplate	(F3)
				5'
24	D28280359	1	Shutter	
25	D28283770	1	Table	(S4)
	D28283771	1	Table	(T8)
	D28283772	1	Table	(F3)
26	D28251486	3	Cover	
27	D20400409		Washer	(5)
28	D40690300	1	Screw Metric	
29	D28251487	3	Cover	
31	D28283330	1	Deflector	(S4)
	D28283331	1	Deflector	(T8)
	D28283332	1	Deflector	(F3)
32	D28283335	1	Deflector	(S4)
	D28283336	1	Deflector	(T8)
	D28283337	1	Deflector	(F3)
33	D28283322	2	Deflector	
34	D28283324	2	Deflector	(F3)
	D28283325	2	Deflector	(T8)
	D28283326	2	Deflector	(S4)
35	D28283723	1	Panel	
36	D40402400	5	Screw Metric	
37	D20400405	5	Washer	
38	D28280958	1	Cover	
39	D28280965	1	Cover	
40	D43427200	4	Pin	
41	D42555500	6	Circlip	
42	D28283924	1	Reinforcement	
43	D28283321	2	Clamp	
44	D43427500	6	Pin	
45	D42555500	6	Circlip	
46	D28283311	1	Cover	
47	D28283310	1	Cover	
48	D28280470	1	Plate	
				(F3)
				20'
				(S4)
				16'
				(T8)
				18'
				(T9)
				16' - 18'
				(3)
				OPTIONAL EQUIPMENT

MASSEY FERGUSON

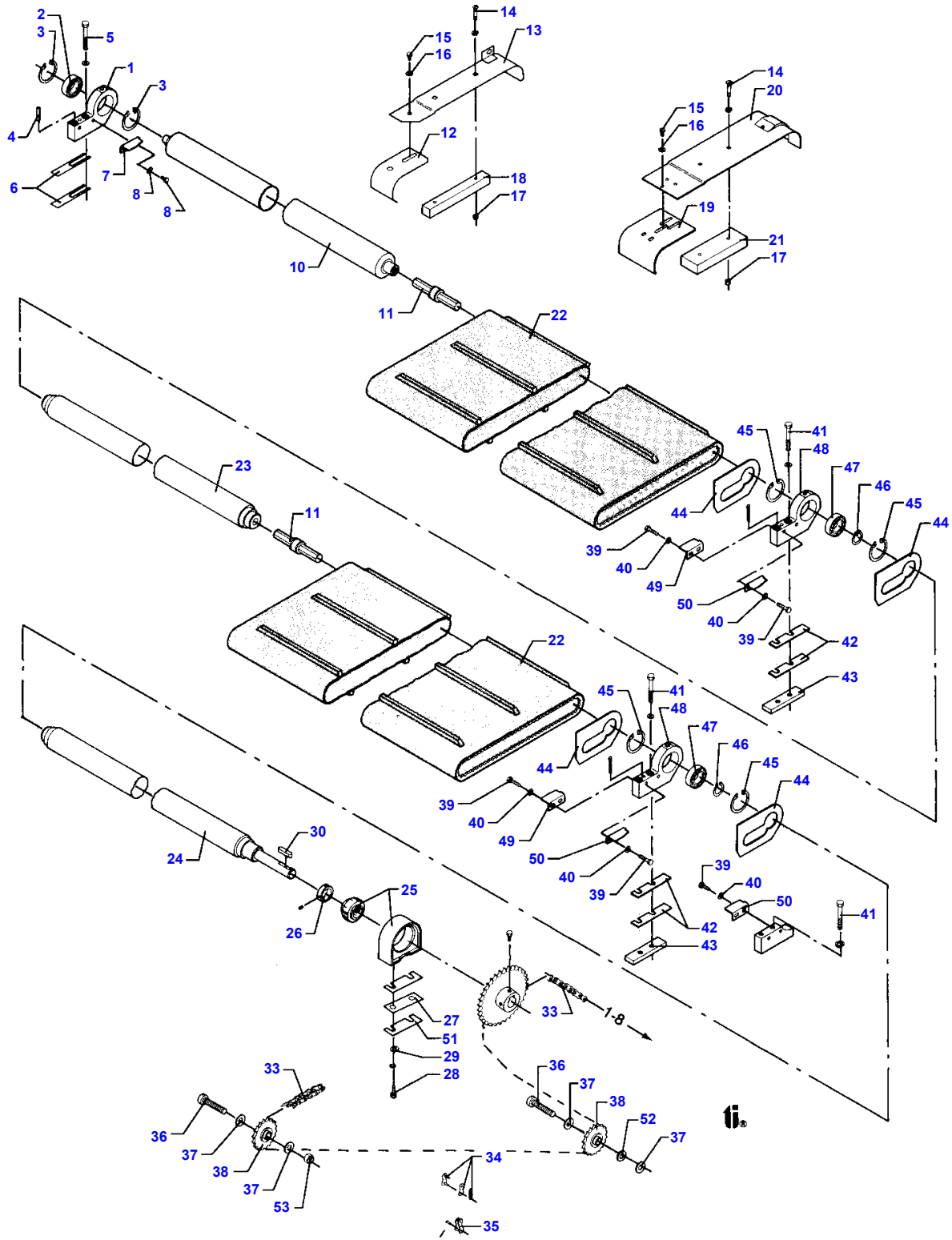
MF 38 COMBINE, ->| 47597 - 1810921A

1810921A

TABLE HOUSING WITH GUARDING - POWER FLOW

1-10

Item	Part Number	Qty	Description	Comments
				(5) OPTIONAL



MASSEY FERGUSON

MF 38 COMBINE, ->| 47597 - 1810921A

1810921A

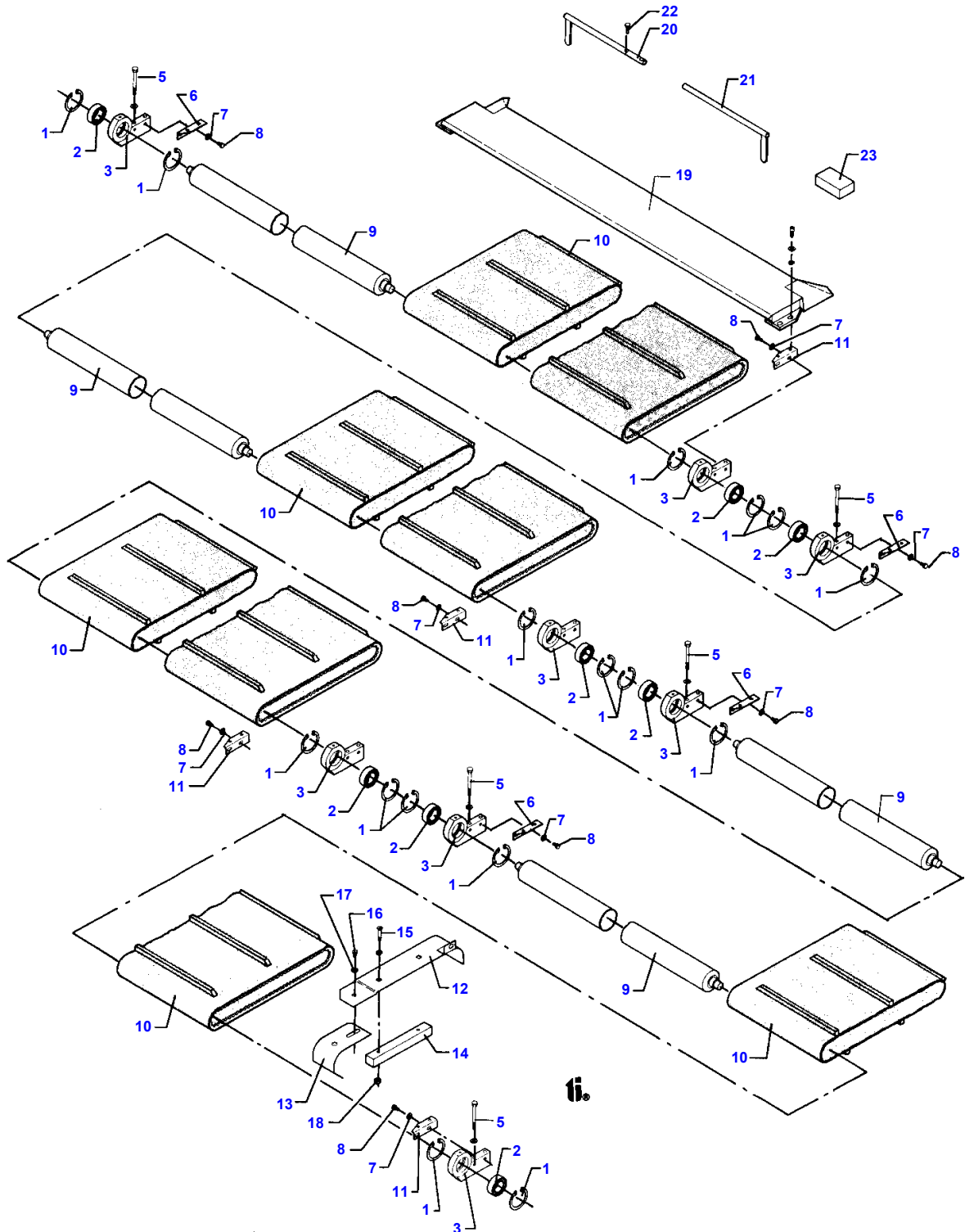
1-11

POWER FLOW BAND 1

Item	Part Number	Qty	Description	Comments
	D28251562	1	Bracket	POS. 1-3
1	D28251581	1	Bracket	
2	D41715600	1	Bearing Ball	
3	D42514500	2	Circlip	
4	D42616100	4	TIGHENING PIN	
5	D40426600		Screw Metric	
6	D28251519		Shim	
7	D28251380	1	Bracket	
8	D40404900		Screw Metric	
9	D20400409		Washer	
10	D28251347	1	Roller	(E9) Right Hand
10	D28251348	1	Roller	(S4) Right Hand
11	D28251565	3	Shaft	
12	D28251454	1	Guard	(S4) Right Hand
12	D28251455	1	Guard	(T8) Right Hand
12	D28280451	1	Guard	(F3)
13	D28251461	1	Guard	(T8) Right Hand
13	D28280454	1	Guard	(F3) Right Hand
13	D28281460	1	Tube	(S4)
14	D40066700		Screw	
15	D40404700		Screw Metric	
16	D20400409		Washer	
17	D41087500		Locknut	
18	D28251443	2	Control	
19	D28251449	3	Guard	
20	D28251462	3	Guard	
21	D28251444	3	Control	
22	D28250931	4	Band	(S4)
	D28250932	2	Band	(T8)
	D28250931	2	Band	(T8)
	D28250932	4	Band	(F3)
23	D28251356	2	Roller	(T9)
	D28280402	2	Roller	(F3)
24	D28280403	1	Roller	(E9)
	D28280938	1	Roller	(S4)
25	D41715800	1	Bearing	
26	D43004900	1	Foam	
27	D28251448	6	Shim	
28	D40407900		Screw Metric	
29	D20400419		Washer	
30	D43104900		Key	
31	D40466200	2	Setscrew	
32	D28251163	2	Sprocket	(X7)
	D28580228	1	Sprocket	(X8)
33	D42332800	1	Chain	
34	D42363100	1	Link	
35	D42363500	1	Link	
36	D40433600	3	HEXAGON SCREW	
37	D20400460	4	Washer	
38	D41712300	2	Tensioner	
39	D40404900		Screw Metric	
40	D20400409		Washer	
41	D40426600		Screw Metric	
42	D28251445		Shim	
43	D28251146		Strap	
44	D28251420	6	Control	
45	D42515400		Circlip	
46	D42503300		Circlip	
47	D41716300		Bearing Ball	
48	D28251583	3	Bracket	
49	D28251418	3	Scraper	
50	D28251417	3	Scraper	
51	D28281522		Shim	
52	D20400518	1	Spacer	

MASSEY FERGUSON**MF 38 COMBINE, ->| 47597 - 1810921A****1810921A****POWER FLOW BAND 1****1-11**

Item	Part Number	Qty	Description	Comments
53	D41087900	1	Locknut	(E9) 18' - 20' (F3) 20' (S4) 16' (T8) 18' (T9) 16' - 18' (X7) 25 TEETH (X8) 32 TEETH



MASSEY FERGUSON**MF 38 COMBINE, ->| 47597 - 1810921A****1810921A****POWER FLOW BAND 2****1-12**

Item	Part Number	Qty	Description	Comments
1	D42514500		Circlip	
2	D41715600		Bearing Ball	
3	D28251582	3	Bracket	
5	D40426600		Screw Metric	
6	D28251380	5	Bracket	
7	D20400409		Washer	
8	D40697400		Screw	
9	D28251345	2	Roller	(T8)
	D28251346	4	Roller	(S4)
	D28251345	4	Roller	(F3)
	D28251346	2	Roller	(T8)
10	D28250931	4	Band	(S4)
	D28250932	2	Band	(T8)
	D28250931	2	Band	(T8)
11	D28251379	5	Bracket	Left Hand
12	D28251457	1	Guard	(S4)
	D28251458	1	Guard	(T8)
	D28280453	1	Guard	(F3)
14	D28251443	2	Control	
15	D40066700		Screw	
	D40404700		Screw Metric	
17	D20400409		Washer	
18	D41087500		Locknut	
19	D28281562	2	Scraper	(T8)
	D28281563	4	Scraper	(S4)
	D28281562	4	Scraper	(F3)
	D28251543	1	Tool	POS. 20-23
20	D28251545	1	Tool	
21	D28251544	1	Tool	
22	D43385200	2	Screw	
23	D28251547	1	Adjuster	

(F3)

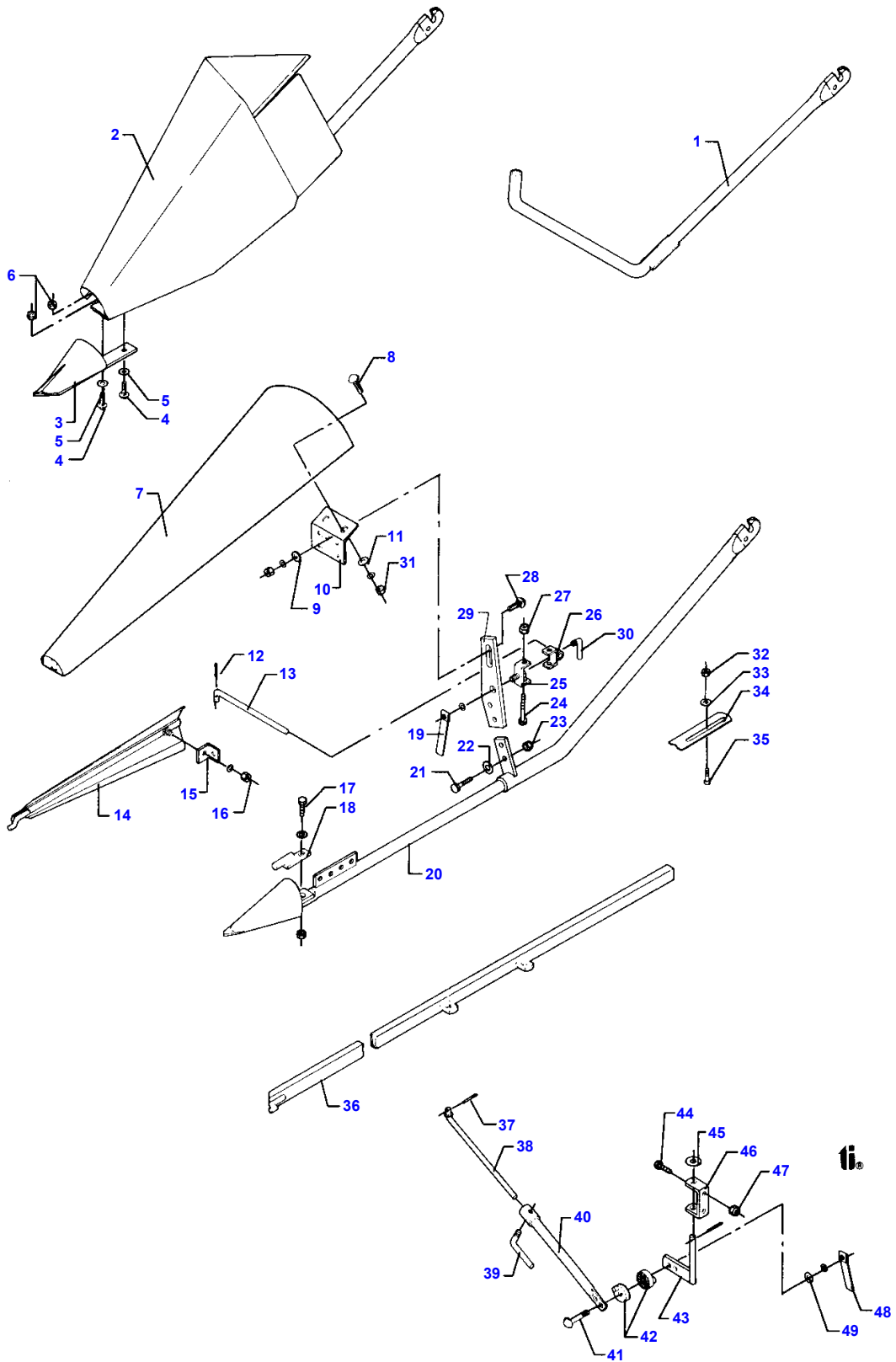
20'

(S4)

16'

(T8)

18'



MASSEY FERGUSON

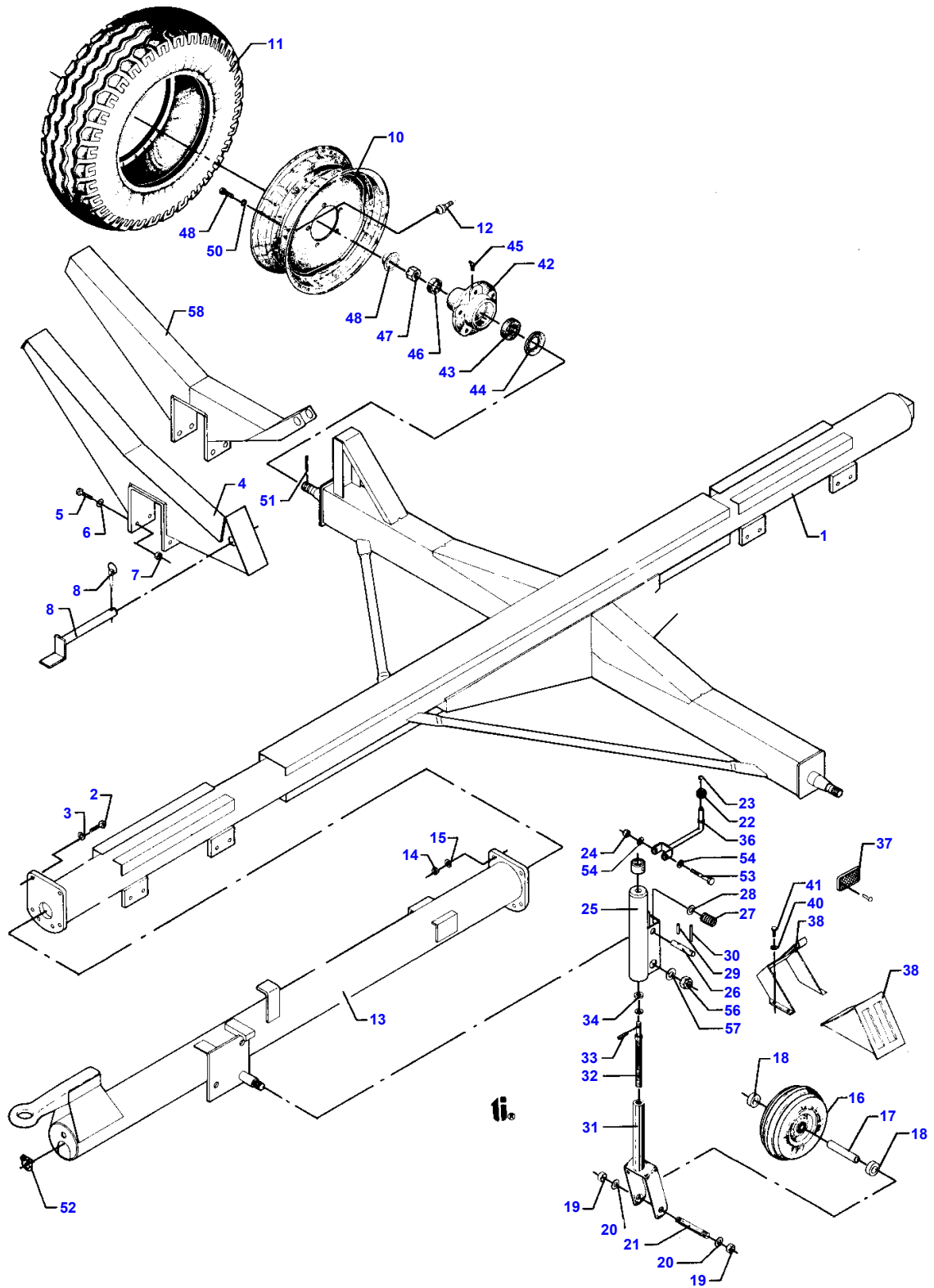
MF 38 COMBINE, ->| 47597 - 1810921A

1810921A

STRAW DIVIDER

1-13

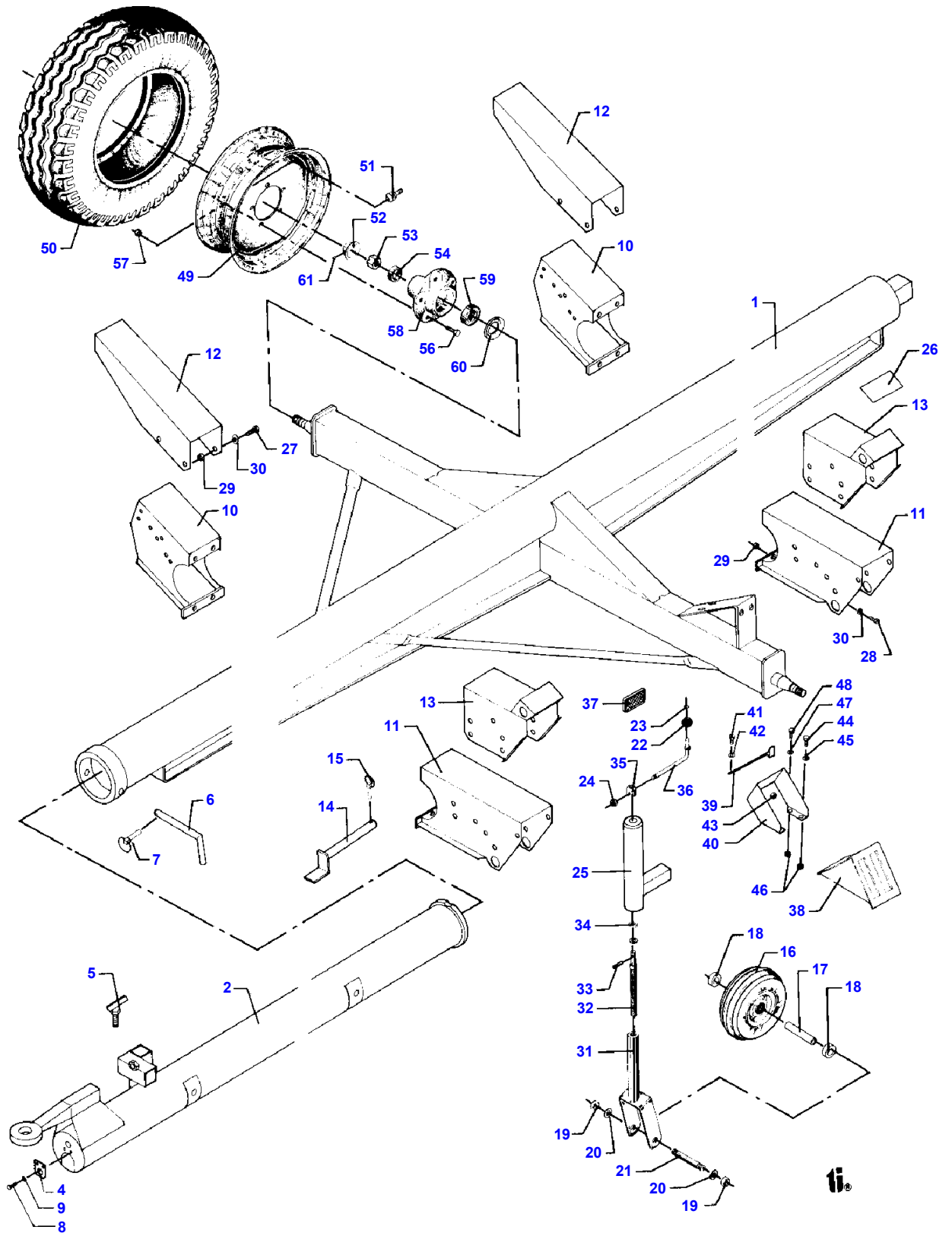
Item	Part Number	Qty	Description	Comments
1	D28251600	2	Divider	
	D28251604	1	Divider	POS. 2-6
2	D28251602	1	Divider	
	D28251603	1	Divider	
3	D28260226	2	Point	
4	D40066800	4	Screw Metric	
5	D20400471	1	Washer	
6	D41087600	4	Locknut	
	D28251605	1	Divider	(F0) POS. 7-31
	D28251606	1	Divider	(F1) POS. 7-31
7	D28211126	1	Divider	
8	D40063700	2	Screw	
9	D20400471	2	Washer	
10	D28230447	1	Plate	
11	D20400506	4	Spacer	
12	D41408700	1	SPLIT PIN	
13	D28230462	1	Rod	
14	D28230457	1	Wing	
15	D27200313	1	Angle	
16	D41010800	1	Nut Metric	
17	D40407900	1	Screw Metric	
18	D27200640	1	Stop	
19	D27300323	1	Locknut	
20	D28251601	1	Support	
21	D40405000	2	Screw Metric	
22	D20400506	2	Spacer	
	D28230467	1	Mounting	POS. 24-27
24	D40424400	1	HEXAGON SCREW	
25	D28230468	1	Mounting	
26	D28230471	1	Mounting	
27	D41087500	1	Locknut	
28	D40066700	2	Screw	
29	D28250549	1	Plate	
30	D27200300	1	Pin	
31	D41010700	2	Nut Metric	
32	D41087700	2	Locknut	
33	D20400423	2	Washer	
34	D28251588	2	Plate	
35	D40070200	2	Screw Metric	
	D28230487	2	Wing	POS. 36-49
36	D28230480	1	Wing	
37	D41410600	2	SPLIT PIN	
38	D28230482	1	Support	
39	D27200364	1	Handle	
40	D28230486	1	Pipe	
41	D40021300	1	Screw	
42	D28230488	2	Clutch	
43	D28230473	1	Support	
44	D40407700	2	Screw	
45	D20400518	1	Spacer	
46	D28230472	1	Bracket	
47	D41087600	2	Locknut	
48	D27300323	1	Locknut	
49	D20400426	1	Washer	(F0) ON THE RIGHT (F1) ON THE LEFT



MASSEY FERGUSON**MF 38 COMBINE, ->| 47597 - 1810921A****1810921A****1-14A****TABLE TRAILER 1**

Item	Part Number	Qty	Description	Comments
1	D28280858	1	Trailer	
	D28281420	1	Trailer	(B6)
2	D40411400	6	Screw Metric	
3	D20400426	6	Washer	
4	D28280582	2	Bracket	FREEFLO
	D28280606	2	Bracket	POWER FLOW
5	D40428300	8	HEXAGON SCREW	
6	D20400423	8	Washer	
7	D41087700	8	Locknut	
8	D28250759	2	Pin	
9	D41446200	2	Pin	
	D28280866	2	Wheel	10.0/75-15
10	D28170156	2	Rim	
11	D46735600	2	Tyre	
12	D46737200	2	Valve	
13	D28280594	1	Drawbar	
14	D41088100	6	Locknut	
15	D20400426	6	Washer	
16	D46721700	1	Wheel	
17	D28250317	1	Bush	
18	D28250305	2	Spacer	
19	D41011100	2	HEXAGON SCREW	
20	D20400459	2	Washer	
21	D28250315	1	Shaft	
22	D28200609	1	Ball	
23	D20400466	1	Washer	
24	D41087700	1	Locknut	
25	D28251079	1	Pipe	
26	D28250355	1	Pin	
27	D28700136	1	Spring	
28	D20400441	1	Washer	
29	D41410800	1	SPLIT PIN	
30	D42616700	1	TIGHENING PIN	
31	D28250340	1	Pipe	
32	D28250337	1	Spindle	
33	D42612000	1	TIGHENING PIN	
34	D41597100	1	Bearing	
35	D28281404	1	Hub	
36	D28281405	1	Lever	
37	D45084600	6	Reflector	
38	D45907200	2	Wedge	
39	D45907300	2	Holder	
40	D20400401	8	Washer	
41	D40741200	8	Screw	
42	D46721400	2	Housing	
43	D41661500	2	Roller	
44	D46727200	2	Plate	
45	D43001500	2	Greaser	
46	D41661200	2	Cup And Cone	
47	D41049400	2	Nut	
48	D46723200	2	Cap	
49	D40465300	10	Screw	
50	D41111200	10	Clip	
51	D41411100	2	SPLIT PIN	
52	D28250748	1	Support	
53	D40428800	1	HEXAGON SCREW	
54	D20400537	2	Spacer	
55	D41087700	1	Locknut	
56	D41088100		Locknut	
57	D20400426		Washer	
58	D28283616	2	Bracket	FREEFLO (B6)

EQUIPMENT REQUIRED AND APPROVED BY THE TUV AUTHORITIES

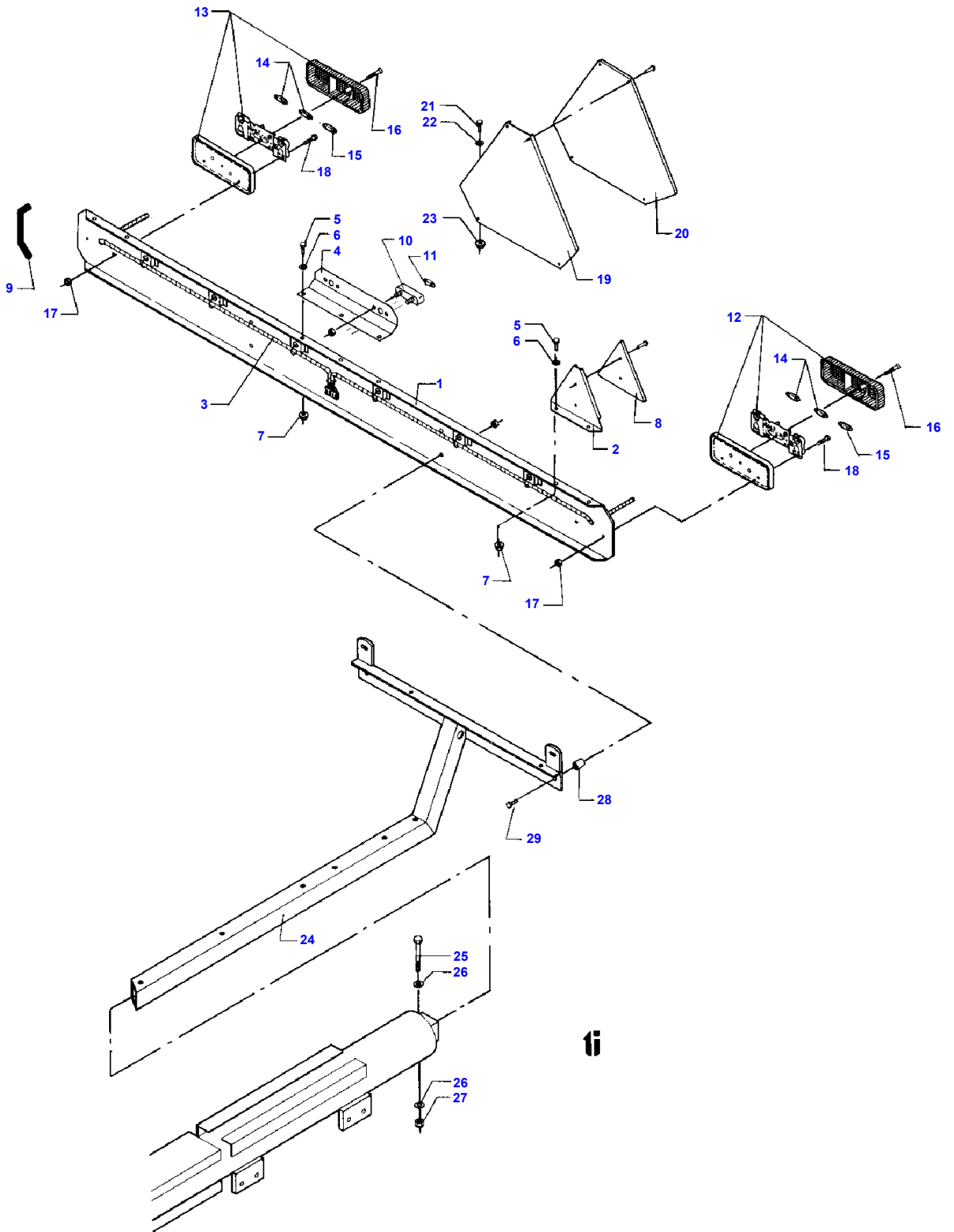


MASSEY FERGUSON**MF 38 COMBINE, ->| 47597 - 1810921A****1810921A****1-14B****TABLE TRAILER 2**

Item	Part Number	Qty	Description	Comments
1	D28283658	1	Table	
	D28283960	1	Table	(B6)
2	D28283668	1	Bar	
4	D28250748	1	Support	
5	D28283634	1	Screw	
6	D28283633	1	Screw	
7	D41446200	1	Pin	
8	D40402400	2	Screw Metric	
9	D20400404	2	Washer	
10	D28283675	2	Bracket	
11	D28283676	2	Bracket	
12	D28283678	2	Support	
13	D28283683	2	Support	
14	D28283693	2	Bolt	
15	D41446200	2	Pin	
16	D46721700	1	Wheel	
17	D28250317	1	Bush	
18	D28250305	2	Spacer	
19	D41011100	2	HEXAGON SCREW	
20	D20400459	2	Washer	
21	D28250315	1	Shaft	
22	D28200609	1	Ball	
23	D20400466	1	Washer	
24	D41087700	1	Locknut	
25	D28283635	1	Tube	
26	D49138600	1	Transfer	
27	D40410900	16	Screw	
28	D40411100	8	HEXAGON SCREW	
29	D41087700	24	Locknut	
30	D20400423	48	Washer	
31	D28250340	1	Pipe	
32	D28250337	1	Spindle	
33	D42612000	1	TIGHENING PIN	
34	D41597100	1	Bearing	
35	D28250356	1	Hub	
36	D28250327	1	Lever	
37	D45084600	6	Reflector	
38	D45907200	2	Wedge	(B6)
39	D28260477	2	Retainer	(B6)
40	D28283963	2	Retainer	(B6)
41	D40402600	2	Screw Metric	
42	D20400404	4	Washer	
43	D41087400	2	Locknut	
44	D40405100	2	Screw Metric	
45	D20400413	10	Washer	
46	D41087500	4	Locknut	
47	D20400413	4	Washer	
48	D40404900	3	Screw Metric	
	D28283720	2	Wheel	POS. 49-51 10.0/75-15
49	D28283694	2	Rim	
50	D46735600	2	Tyre	
51	D46737200	2	Valve	
52	D46723900	2	Cap	
53	D41087900	2	Locknut	
54	D41620900	2	Ball	
55	D46724000	2	Hub	
56	D40438200	10	Bolt	
57	D41021600	10	Nut	
58	D46724000	2	Hub	
59	D41623000	2	Bearing Ball	
60	D41582400	2	Washer	
61	D43002500	2	Greaser	

(B6)

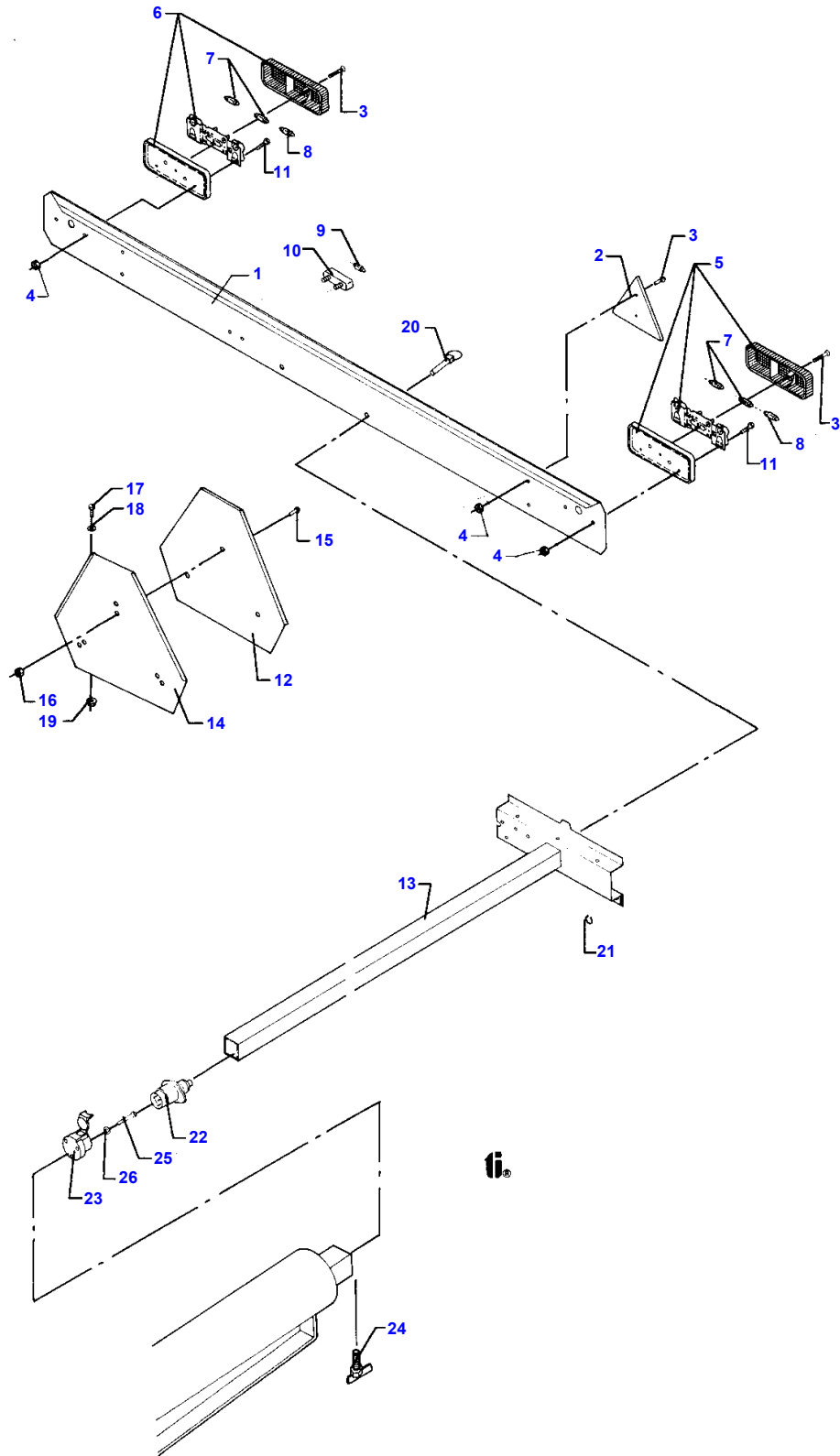
EQUIPMENT REQUIRED AND APPROVED BY THE TUV AUTHORITIES



ti

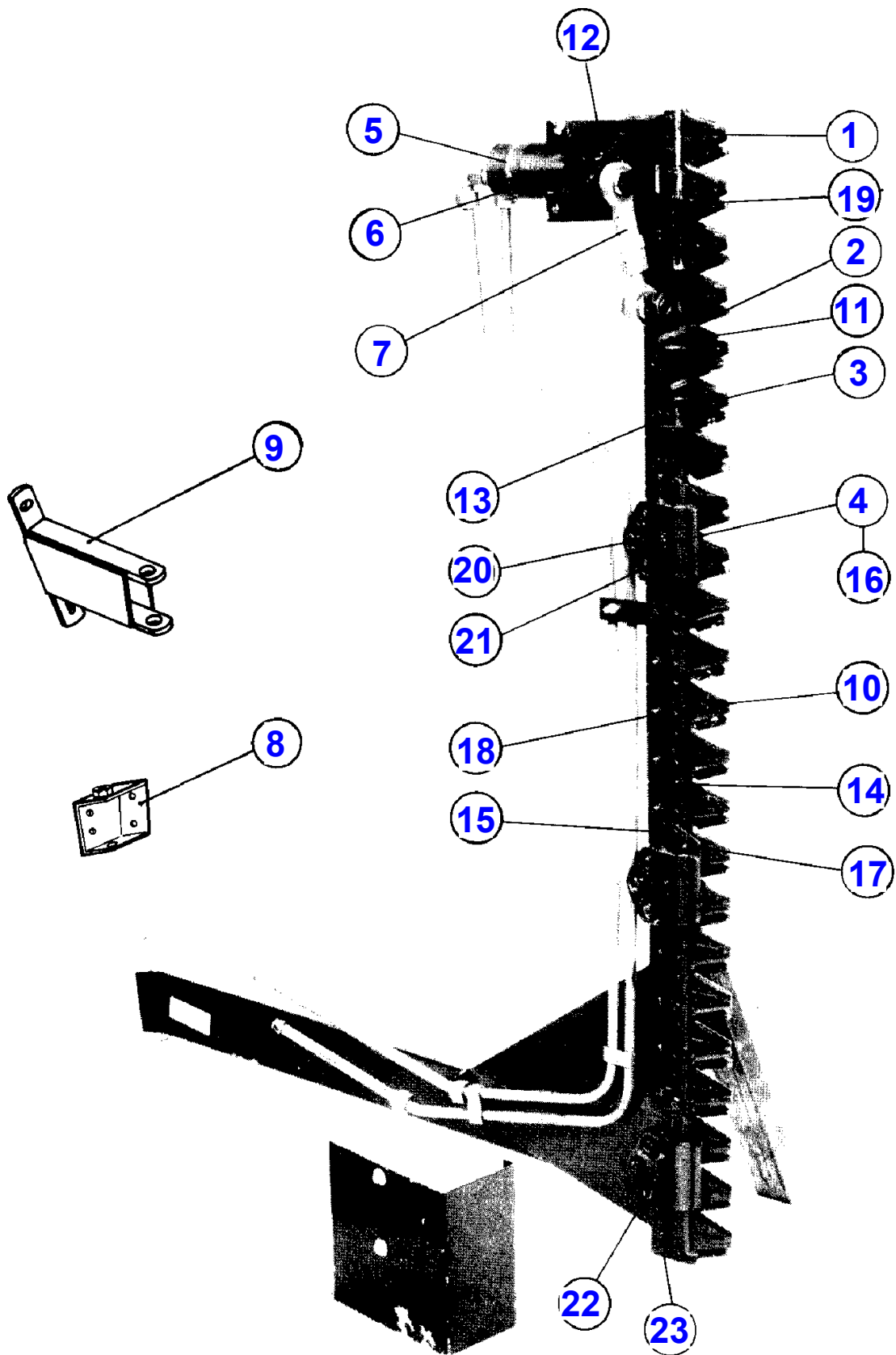
MASSEY FERGUSON**MF 38 COMBINE, -> 47597 - 1810921A****1810921A****LIGHTENING BRACKET 1****1-15A**

Item	Part Number	Qty	Description	Comments
	D28250777	1	Bracket	POS. 1-18
1	D28250772	1	Bracket	
2	D28250558	1	Retainer	
3	D28250776	1	Wiring Harness	
4	D28270086	1	Support	
5	D40402400	7	Screw Metric	
6	D20400470	7	Washer	
7	D41013400	7	Nut	
8	D45083900	2	Reflector	
9	D44735900		Seal Section	0.750M
10	D45085500	2	Lamp	
11	D45080900	2	Bulb	
12	D45077100	1	Rh Rear Lamp	Left Hand
13	D45077300	1	Lh Rear Lamp	Right Hand
14	D45080600	4	Bulb	
15	D45080700	2	Bulb	
16	D40400700	4	Screw Metric	
17	D41010500	8	Nut	
18	D40352300	4	Screw	
19	D28251559	1	Support	
20	D45084500	1	Reflector	
21	D40402600	6	Screw Metric	
22	D20400404	9	Washer	
23	D41010600	6	Nut	
24	D28251617	1	Bracket	
25	D40429200	2	Bolt	
26	D20400446	4	Washer	
27	D41087700	2	Locknut	
28	D28251428	4	Spacer	
29	D40405400	4	Screw Metric	



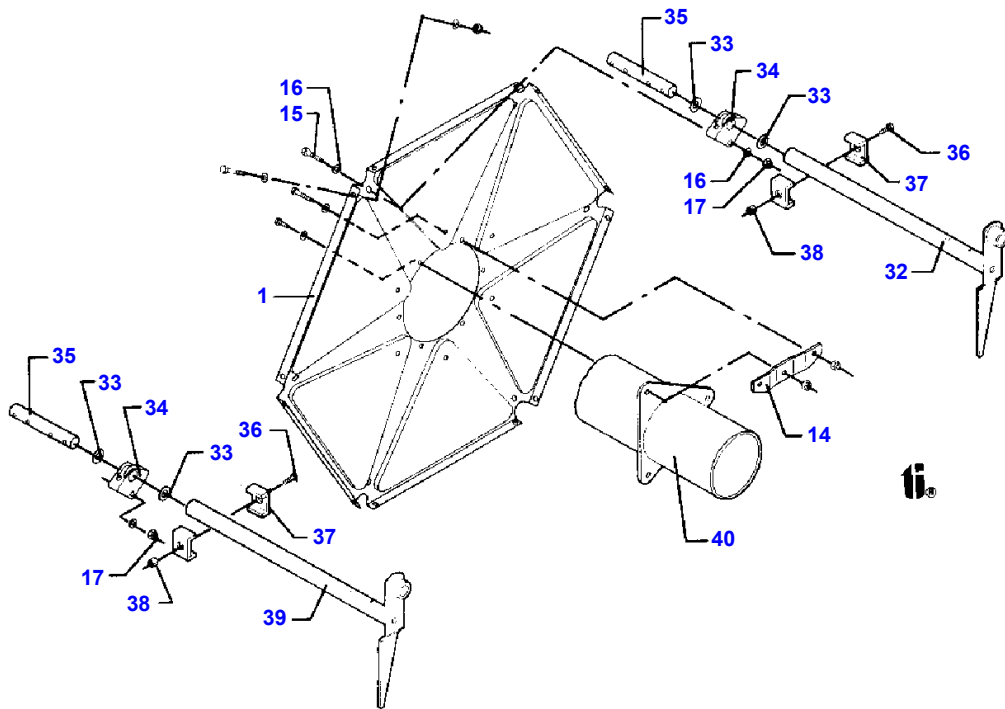
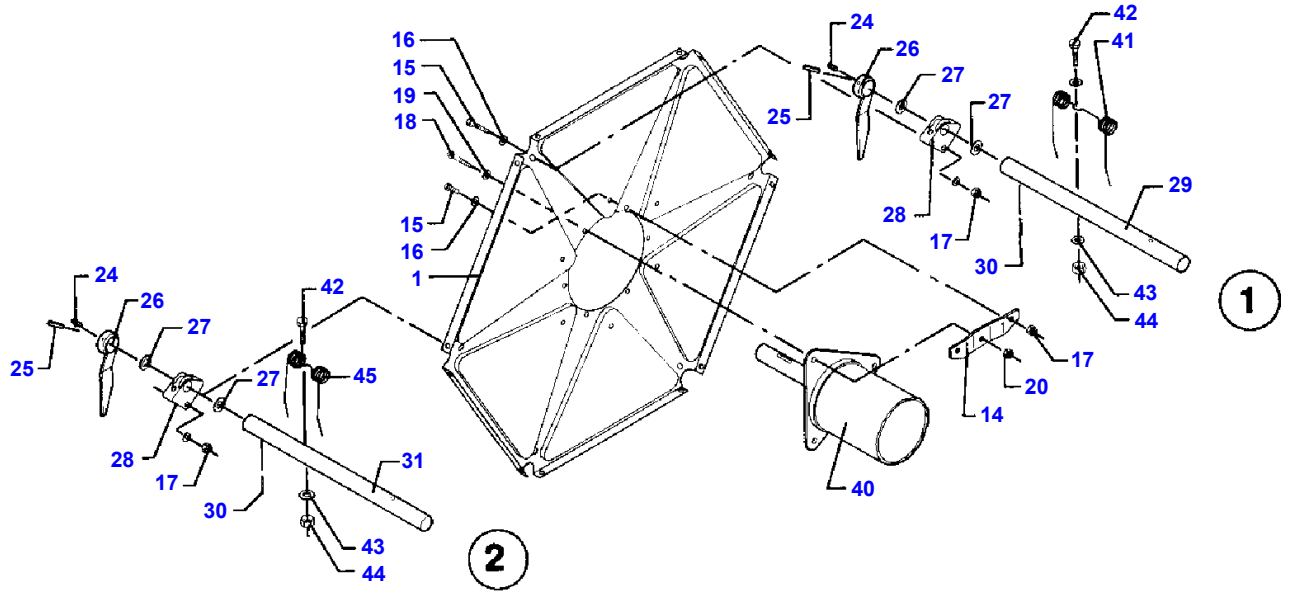
MASSEY FERGUSON**MF 38 COMBINE, -> 47597 - 1810921A****1810921A****LIGHTENING BRACKET 2****1-15B**

Item	Part Number	Qty	Description	Comments
	D28283719	1	Bracket	
1	D28283662	1	Ramp	
2	D45083900	2	Reflector	
3	D40400700	8	Screw Metric	
4	D41010500	8	Nut	
5	D45077100	1	Rh Rear Lamp	Left Hand
6	D45077300	1	Lh Rear Lamp	Right Hand
7	D45080600	4	Bulb	
8	D45080900	2	Bulb	
9	D45080900	2	Bulb	
10	D45085500	2	Lamp	
11	D40352300	4	Screw	
12	D45084500	1	Reflector	
13	D28283661	1	Bracket	
14	D28251559	1	Support	
15	D40400300	3	HEXAGON SCREW	
16	D41010400	3	Nut	
17	D40402400	3	Screw Metric	
18	D20400453	3	Washer	
19	D41013400	3	Nut	
20	D43427500	2	Pin	
21	D42555500	2	Circlip	
22	D45005200	1	Socket	
23	D45005300	1	Socket	
24	D28283634	1	Screw	
25	D40351600	3	Screw Metric	
26	D20400400	3	Washer	



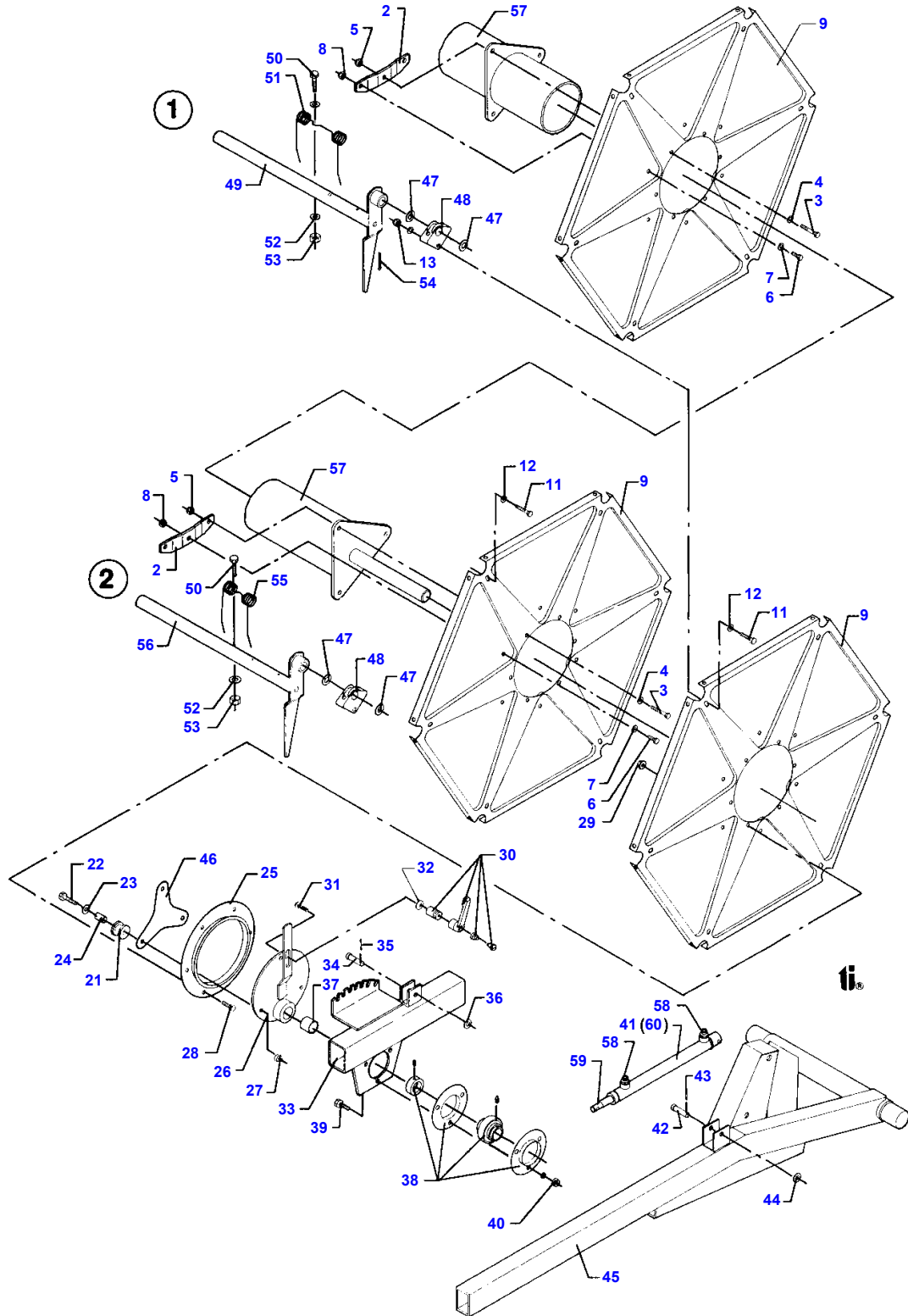
MASSEY FERGUSON**MF 38 COMBINE, ->| 47597 - 1810921A****1810921A****1-16****SIDE KNIFE**

Item	Part Number	Description	Comments
1	D44121600	Blade	
2	D44121700	Blade	
3	D44121800	Knife	
4	D44121900	Clip	
5	D44122000	Steering Unit	
6	D44122100	Crankshaft	
7	D44122200	Connecting Link	
8	D28281516	Support	(F1)
9	D28280734	Support	(F0) POWER FLOW
9	D28280738	Support	(F0) FREEFLO
10	D44122300	Knife	
11	D44122500	Knife Head	
12	D44122700	Support	(F0)
	D44122800	Support	(F1)
13	D41378800	Rivet	
14	D41378500	Rivet	
15	D41378700	Rivet	
16	D44122900	Spacer	
17	D44123000	Support	
18	D40063700	Screw	
19	D40690900	Screw Metric	
20	D40404900	Screw Metric	
21	D40064300	Screw	
22	D40690500	Screw Metric	
23	D44123100	Bar	(F0) ON THE RIGHT (F1) ON THE LEFT



REEL 1

Item	Part Number	Qty	Description	Comments
1	D28660002	5	Plate	
14	D28660051	5	Dog	
15	D40404700		Screw Metric	
16	D20400409		Washer	
17	D41013500		Nut	
18	D40405000		Screw Metric	
19	D20400409	12	Washer	
20	D41013500	12	Nut	
24	D40630900	6	Pin	
25	D42614300	6	Tensioner	
26	D28680107	6	Spike	
27	D20400586		Washer	
28	D28680117		Bearing	
29	D28680145	3	Rake	(70)
	D28680154	3	Rake	(T8)
	D28680168	3	Rake	(S4)
30	D41411100	3	Reel Tine	
31	D28680141	3	Rake	(70)
	D28680156	3	Rake	(T8)
	D28680167	3	Rake	(S4)
32	D28680142	3	Rake	(F4)
				Left Hand
32	D28680147	3	Rake	(F3)
				Left Hand
32	D28680153	3	Rake	(T8)
				Left Hand
33	D20400585		Washer	
34	D28680132		Cap	
35	D28680139	6	Pin	(G3)
36	D40426000	24	Screw	
37	D28660035	21	Divider	
38	D41087600	24	Locknut	
39	D28680140	3	Rake	(F4)
	D28680148	3	Rake	(F3)
	D28680152	3	Rake	(T8)
40	D28680138	1	Reel	(F4)
	D28680151	1	Pipe	(F3)
	D28680159	1	Pipe	(T8)
	D28680166	1	Pipe	(S4)
41	D28680130		Spring	
42	D40423900		HEXAGON SCREW	
43	D20400506		Spacer	
44	D41087500		Locknut	
45	D28680131	6	Spring	(F3)
				20'
				(F4)
				22'
				(G3)
				18' - 20' AND 22'
				(S4)
				16'
				(T8)
				18'
				(70)
				20' - 22'

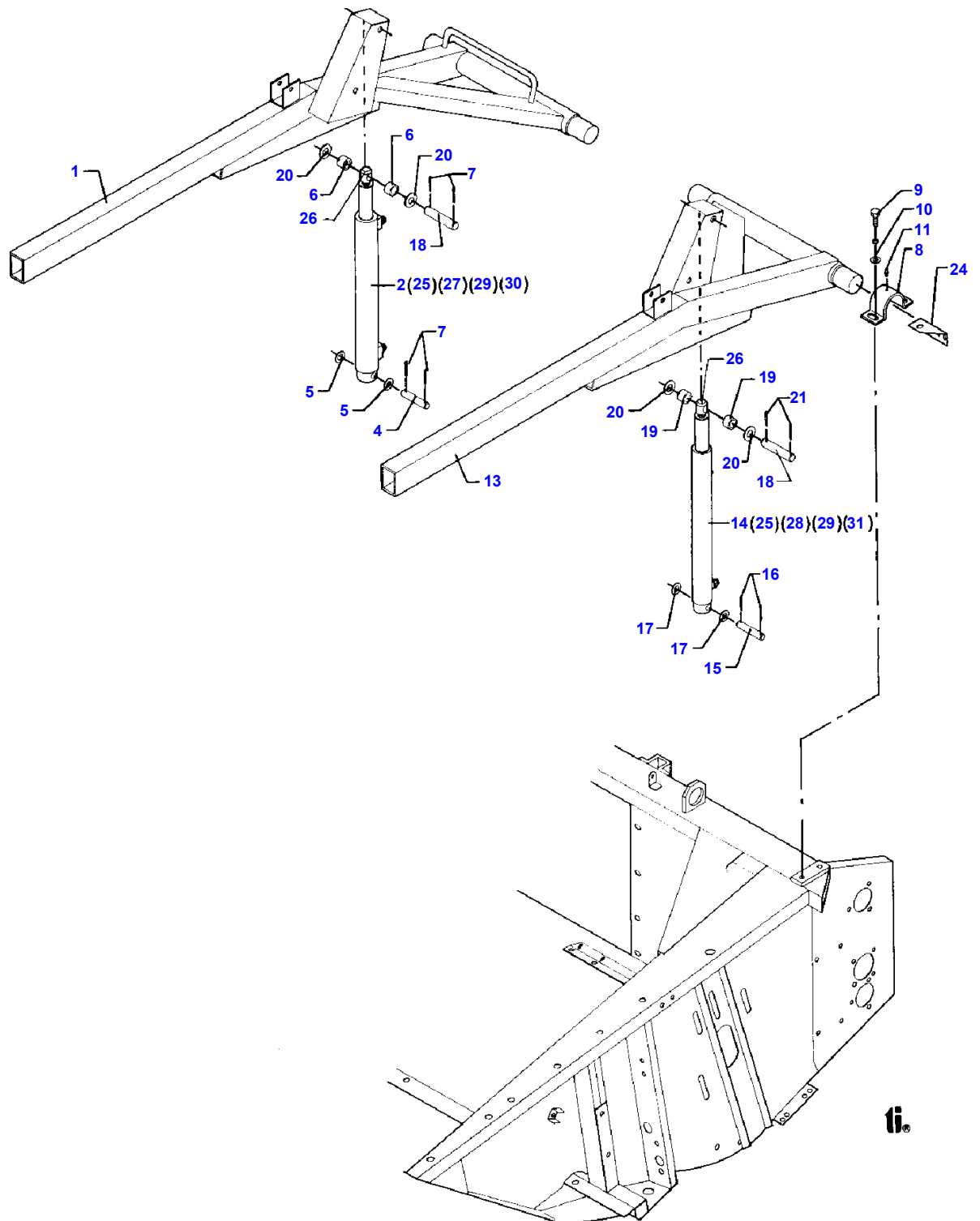


REEL 2

Item	Part Number	Qty	Description	Comments
2	D28660051	12	Dog	
3	D40405000	12	Screw Metric	
4	D20400409	12	Washer	
5	D41013500	12	Nut	
6	D40404700	24	Screw Metric	
7	D20400409	24	Washer	
8	D41013500	24	Nut	
9	D28660002	5	Plate	
11	D40402400		Screw Metric	
12	D20400470		Washer	
21	D28660005	3	Roller	
22	D40426000	3	Screw	
23	D20400416	3	Washer	
24	D28660143	3	Bush	
25	D28660036	1	Ring	
26	D28680097	1	Plate	
27	D41013600	3	Nut	
28	D40404700	6	Screw Metric	
29	D41013500	6	Nut	
30	D43387500	1	Lever	
31	D40070100	1	Screw Metric	
32	D20400426	1	Washer	
33	D28680054	1	Bearing	Left Hand
34	D28280383	1	Pin	
35	D41408800	1	Pin	
36	D20400471	1	Washer	
37	D43338200	1	Lining	
38	D41707800	1	Flange	
39	D40407600	3	Screw	
40	D41010800	3	Nut Metric	
41	D45100028	1	Cylinder	
42	D28280382	1	Pin	
43	D41408800	1	Pin	
44	D20400471	1	Washer	
45	D28283301	1	Frame	Left Hand FREE FLO
45	D28283303	1	Frame	Left Hand POWER FLOW
46	D28680120	1	Plate	
47	D20400586		Washer	
48	D28680117		Bearing	
49	D28680142	3	Rake	Left Hand (F4)
49	D28680147	3	Rake	Left Hand (F3)
49	D28680163	3	Rake	Left Hand (T8) (S4)
49	D28680168	3	Rake	
50	D40423900		HEXAGON SCREW	
51	D28680130		Spring	
52	D20400506		Spacer	
53	D41087500		Locknut	
54	D41411100		SPLIT PIN	
55	D28680131	6	Spring	
56	D28680140	3	Rake	Left Hand (F4)
56	D28680148	3	Rake	Left Hand (F3)
56	D28680152	3	Rake	Left Hand (T8)
56	D28680167	3	Rake	Left Hand (S4)
57	D28680138	1	Pipe	(F4) 22'
57	D28680151	1	Pipe	(F3) 20'
57	D28680159	1	Pipe	(T8) 18'
57	D28680166	1	Pipe	(S4) 16'

MASSEY FERGUSON**MF 38 COMBINE, ->| 47597 - 1810921A****1810921A****REEL 2****2-2**

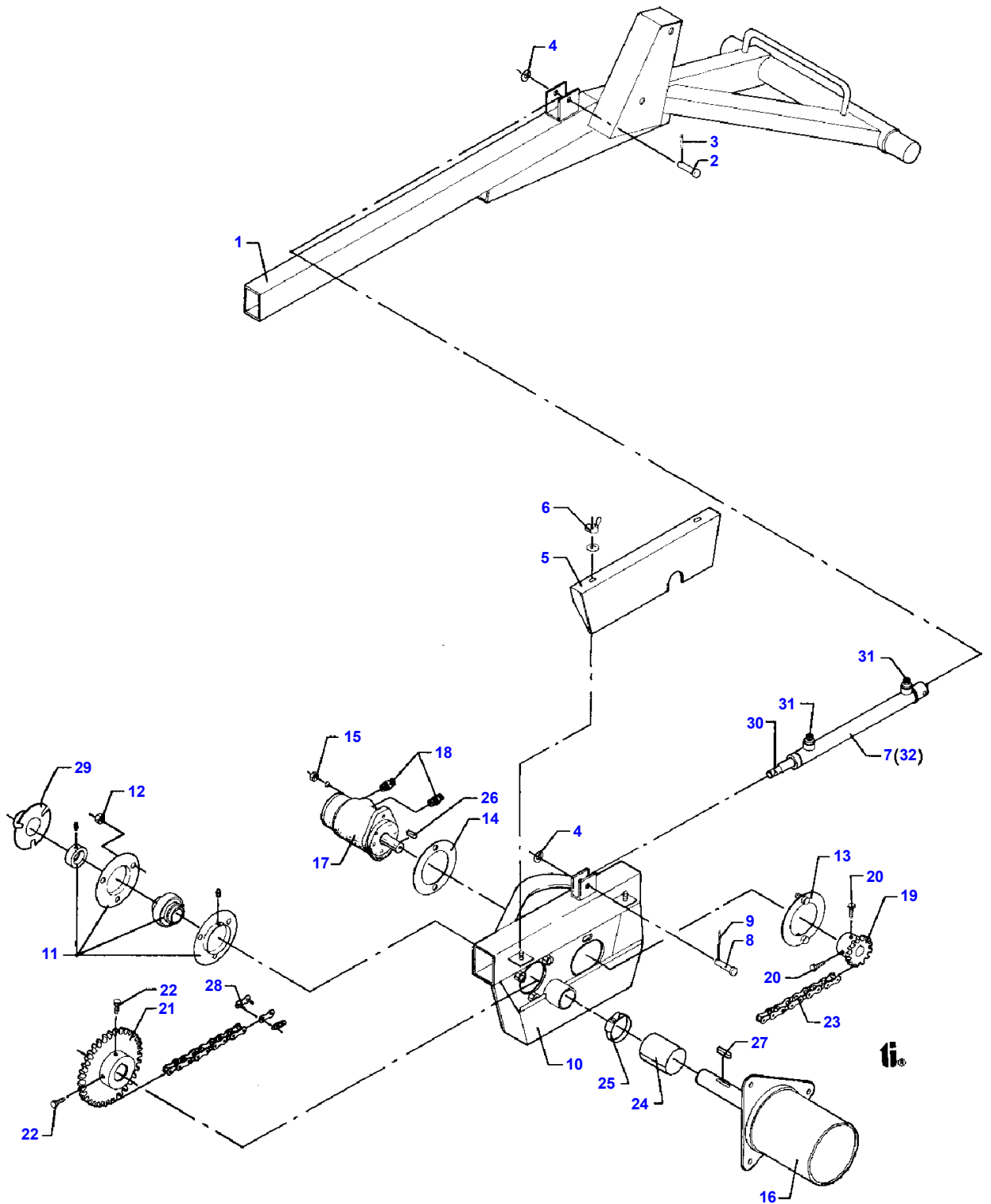
Item	Part Number	Qty	Description	Comments
58	D45252800	2	Union	PACOMA
59	D45100021	1	Piston Rod	PACOMA
60	D45100080	1	Kit, Seal	PACOMA
60	D45110025	1	Kit, Bush	PPT (F3) 20' (F4) 22' (S4) 16' (T8) 18'



ti.

MASSEY FERGUSON**MF 38 COMBINE, ->| 47597 - 1810921A****1810921A****REEL SUSPENSION AND HYDRAULIC CYLINDERS****2-3**

Item	Part Number	Qty	Description	Comments
1	D28283302	1	Frame	Right Hand FREEFLO
1	D28283304	1	Frame	Right Hand POWER FLOW
2	D45100066	1	Cylinder	
4	D28280236	1	Pin	
5	D20400518	2	Spacer	
6	D28751140	2	Spacer	
7	D41408800	4	Pin	
8	D28283300	2	Bearing Shell	
9	D40410900	8	Screw	
10	D20400426	8	Washer	
11	D43001500	4	Greaser	
12	D40900023	2	Screw	
13	D28283301	1	Frame	Left Hand FREEFLOW
13	D28283303	1	Frame	Left Hand POWER FLOW
14	D45100067	1	Cylinder	
15	D28280236	1	Pin	
16	D41408800	2	Pin	
17	D20400518	2	Spacer	
18	D28280237	2	Pin	
19	D28751140	2	Spacer	
20	D20400520	4	Spacer	
21	D41408800	4	Pin	
22	D28283251	1	Retainer	
25	D41042700	2	Nut	PACOMA
26	D45100044	2	Piston Head	PACOMA
27	D45100016	1	Piston Pin	PACOMA
28	D45100017	1	Piston Pin	PACOMA
29	D45252800	3	Union	PACOMA
30	D45100031	1	Gasket	PACOMA
	D45110030	1	Kit, Joint	PPT
31	D45100032	1	Kit,Joint/Gasket	PACOMA
	D45110022	1	Kit, Joint	PPT



MASSEY FERGUSON

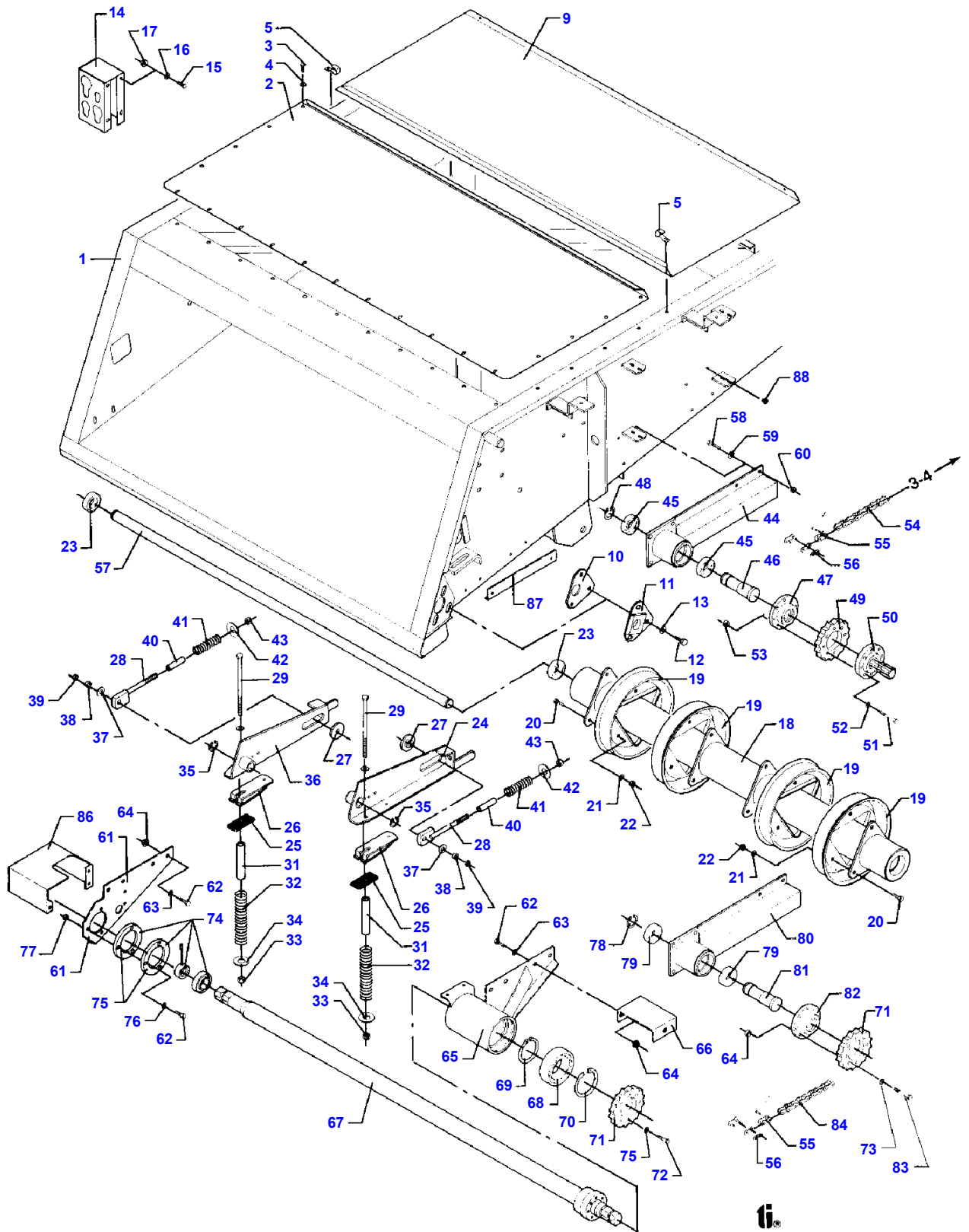
MF 38 COMBINE, ->| 47597 - 1810921A

1810921A

REEL SUSPENSION AND HYDRAULIC MOTOR

2-4

Item	Part Number	Qty	Description	Comments
1	D28283302	1	Frame	Right Hand FREE FLO
1	D28283304	1	Frame	Right Hand POWER FLOW
2	D28280382	1	Pin	
3	D41408800	2	Pin	
4	D20400471	2	Washer	
5	D28680046	1	Cover	
6	D41057100	2	Wing Nut	
7	D45100027	1	Cylinder	
8	D28280383	1	Pin	
9	D41408800	1	Pin	
10	D28680055	1	Bearing	
11	D41707800	1	Flange	
12	D41010800	3	Nut Metric	
13	D28650018	1	Plate	
14	D28650101	1	Plate	
15	D41010900	2	Nut Metric	
16	D28680138	1	Pipe	(F4)
	D28680151	1	Pipe	(F3)
	D28680159	1	Pipe	(T8)
	D28680166	1	Pipe	(S4)
17	D45120700	1	Hydraulic Motor	
18	D45250700	2	Union	
19	D28650023	1	Drive	
20	D40404700	2	Screw Metric	
21	D28680013	1	Sprocket	
22	D40405100	2	Screw Metric	
23	D42325700	1	Chain	
24	D28680087	1	Tube	
25	D45728000	1	Clamp	
26	D43103400	1	Key	
27	D43103500	1	Key	
28	D42363200	1	Link	
29	D28761977	2	Cover	
30	D45100022	1	Piston Rod	PACOMA
31	D45252800	2	Union	PACOMA
32	D45100070	1	Kit, Seal	PACOMA
	D45110019	1	Kit, Joint	PPT (F3) 20' (F4) 22' (S4) 16' (T8) 18'



MASSEY FERGUSON

MF 38 COMBINE, ->| 47597 - 1810921A

1810921A

3-1

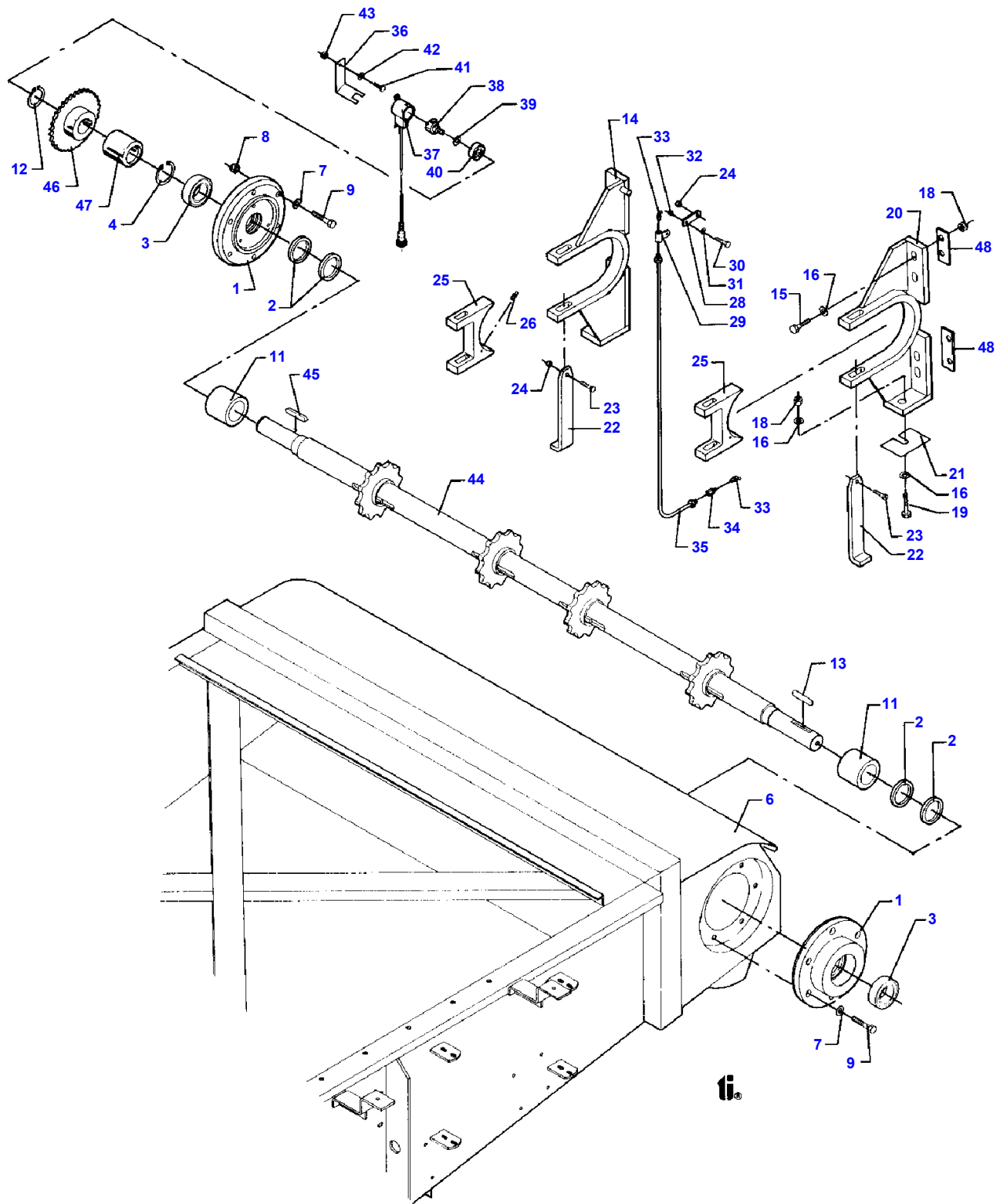
FEEDER SHAFT, LOWER

Item	Part Number	Qty	Description	Comments
1	D28281295	1	Channel	
2	D28281288	1	Plate	
3	D40404900	19	Screw Metric	
4	D20400506	19	Spacer	
5	D27100826	2	Spring	
6	D40400700	2	Screw Metric	
7	D20400401	4	Washer	
8	D41087300	2	Locknut	
9	D28281550	1	Gate	
10	D28281285	2	Washer	
11	D28281282	2	Locking Plate	
12	D40411000	6	HEXAGON SCREW	
13	D20400537	6	Spacer	
14	D28282091	1	Housing	F.47598
15	D40404900	4	Screw Metric	
16	D20400506	4	Spacer	
17	D41013500	4	Nut	
18	D28281246	1	Shaft	
19	D28281245	4	Bowl	
20	D40407900	12	Screw Metric	
21	D20400415	24	Washer	
22	D41087600	12	Locknut	
23	D41629000	2	Bearing Assy	
24	D28281258	1	Arm	
25	D28280537	1	Plate	
26	D28281374	2	Chock	(V)
27	D28280373	2	Ring	
28	D28280316	2	Bolt	
29	D28280491	2	Screw	
30	D20400426	2	Washer	
31	D28280490	2	Pipe	
32	D28280310	2	Spring	
33	D41087700	2	Locknut	
34	D20400425	2	Washer	
35	D42502800	2	Circlip	
36	D28281257	1	Arm	
37	D20400459	2	Washer	
38	D41011100	2	Nut	
39	D41012300	2	Nut	
40	D28280489	2	Tube	
41	D28280309	2	Spring	
42	D28260383	2	Indicator	
43	D41087700	2	Locknut	
44	D28281554	1	Support	
45	D41623000	2	Bearing Ball	
46	D28280282	1	Shaft	
47	D28280283	1	Hub	
48	D42503300	1	Circlip	
49	D28280292	1	Sprocket	
50	D28280420	1	Pin	
51	D40424000	8	HEXAGON SCREW	
52	D20400506	16	Spacer	
53	D41087500	8	Locknut	
54	D42329600	1	Chain	
55	D42367800	1	Link	
56	D42367700	1	Connecting Link	
57	D28281237	1	Shaft	
58	D40407800	8	HEXAGON SCREW	
59	D20400415	8	Washer	
60	D41013600	8	Nut	
61	D28281609	1	Bracket	(V)
62	D40407700	9	Screw	
63	D20400416	16	Washer	
64	D41013600	18	Nut	
65	D28281604	1	Bracket	(V)
66	D28281616	1	Stay	(V)
67	D28281612	1	Axle	(V)
68	D41616000	1	Bearing Ball	(V)
69	D42505800	1	Circlip	(V)
70	D42516900	1	Circlip	(V)

MASSEY FERGUSON**MF 38 COMBINE, -> 47597 - 1810921A****1810921A****FEEDER SHAFT, LOWER****3-1**

Item	Part Number	Qty	Description	Comments
71	D28281617	1	Sprocket	(V)
72	D40423600	8	HEXAGON SCREW	
73	D20400506		Spacer	
74	D41663500	1	Bearing Ball	(V)
75	D41701700	2	Bearing Carrier	(V)
76	D20400507	3	Spacer	
77	D41010800	3	Nut Metric	
78	D42503300	1	Circlip	(V)
79	D41623000	2	Bearing Ball	(V)
80	D28281554	1	Support	(V)
81	D28280282	1	Shaft	(V)
82	D28281611	1	Hub	(V)
83	D40405100	4	Screw Metric	
84	D42333200	1	Chain	(V)
86	D28283890	1	Shield	(V)
87	D28281681	2	Cover	
88	D45745800	8	Plug	

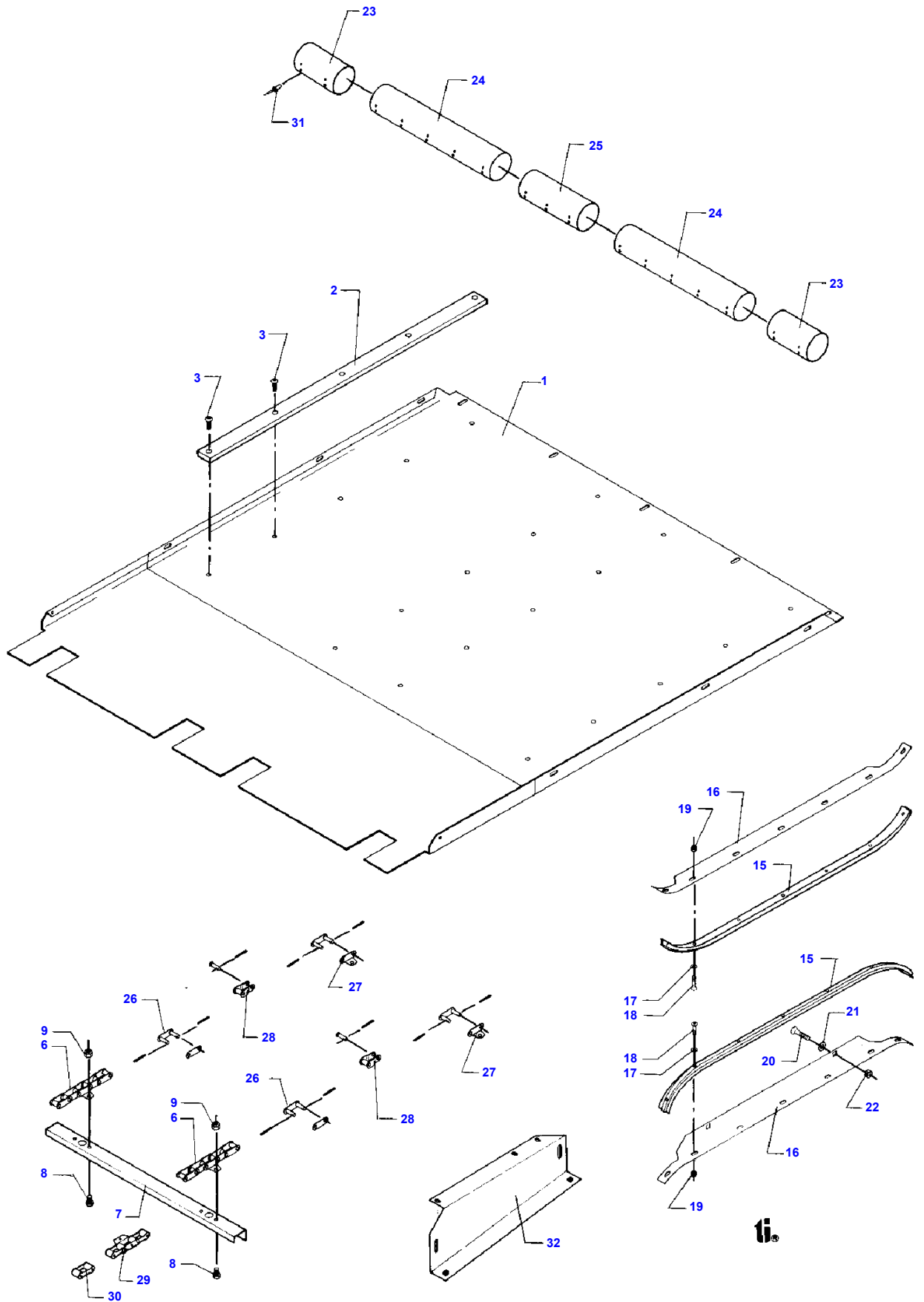
(V)
MAIZE EQUIPMENT



ti.

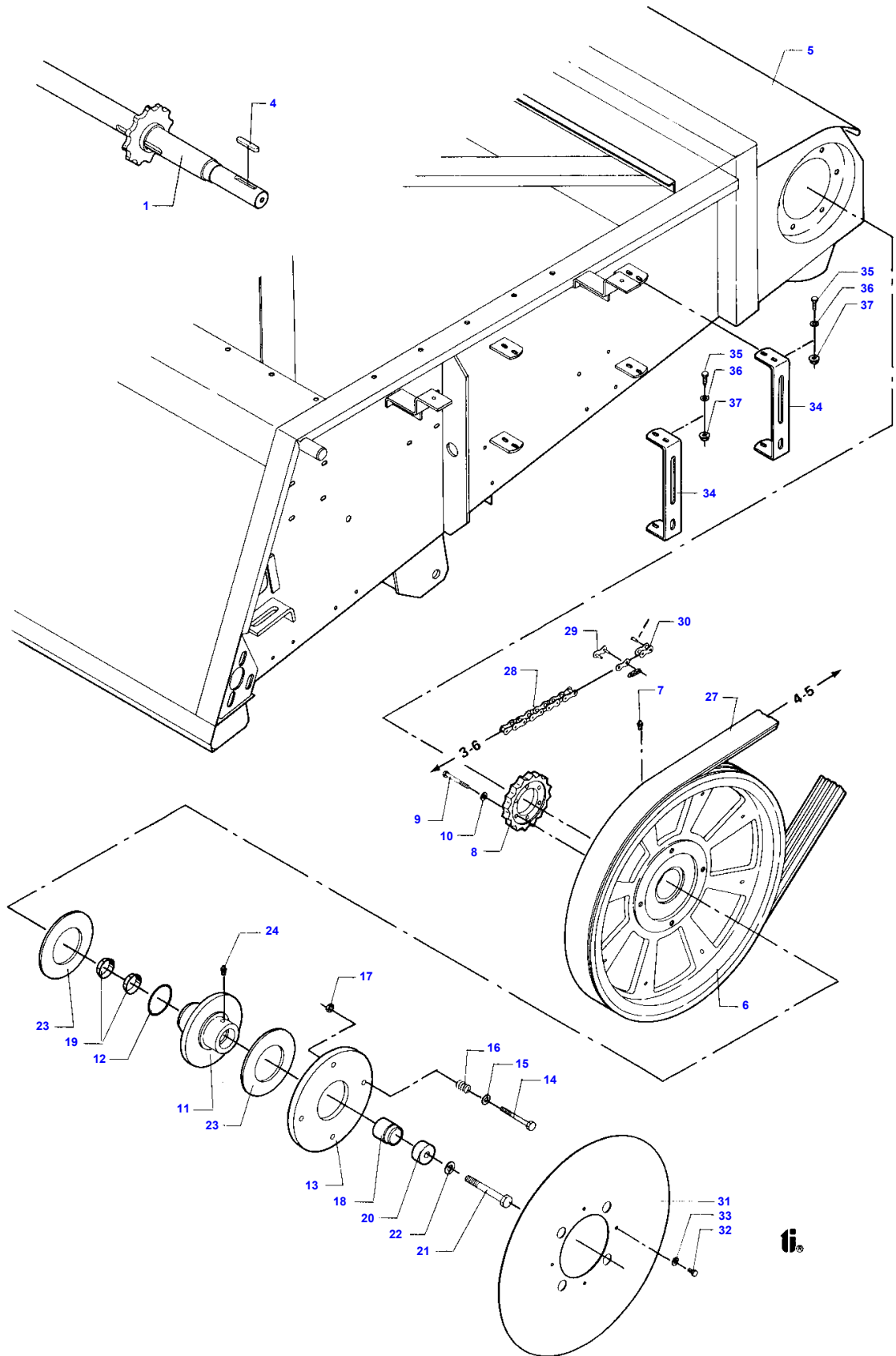
MASSEY FERGUSON**MF 38 COMBINE, ->| 47597 - 1810921A****1810921A****3-2****FEEDER SHAFT, UPPER WITH SUSPENSION**

Item	Part Number	Qty	Description	Comments
1	D28280112	2	Bearing	
2	D43501500	4	Ring	
3	D41623300	2	Bearing Ball	
4	D42515900	1	Circlip	
6	D28281295	1	Channel	
7	D20400426	12	Washer	
8	D41087700	6	Locknut	
9	D40694100	12	Screw	
11	D28284038	2	Insert	
	D40632000	2	Pin	
12	D42504300	1	Circlip	
13	D43107900	1	Key	
14	D28280139	1	Bearing	
15	D40433600	4	HEXAGON SCREW	
16	D20400458	6	Washer	
18	D41087900	5	Locknut	
19	D40433700	1	HEXAGON SCREW	
20	D28280140	1	Bearing	
21	D28280142	12	Shim	
22	D28280138	2	Pin	
23	D40405100	2	Screw Metric	
24	D41087500	2	Locknut	
25	D28281552	2	Stop	
26	D43002700	2	Greaser	
28	D28281478	1	Mounting	
29	D43009200	1	Bracket	
30	D40402600	1	Screw Metric	
31	D20400404	1	Washer	
32	D41087400	1	Locknut	
33	D43002700	2	Greaser	
34	D43009500	1	Connector	
35	D28281479	1	Exhaust Pipe	
36	D28780841	1	Support	
37	D28780514	1	Sensor	
38	D28780516	1	Bolt	
39	D20400419	1	Washer	
40	D41622600	1	Bearing Ball	
41	D40404700	1	Screw Metric	
42	D20400470	1	Washer	
43	D41010600	1	Nut	
44	D28283598	1	Shaft	F.47598
45	D43107500	1	Key	F.47598
46	D28283544	1	Sprocket	F.47598
47	D28283545	1	Spacer	F.47598
48	D28281663	2	Dog	
49	D28281662	2	Dog	



MASSEY FERGUSON**MF 38 COMBINE, ->| 47597 - 1810921A****1810921A****3-3****FEEDER CHAIN - PROTECTIVE PLATES**

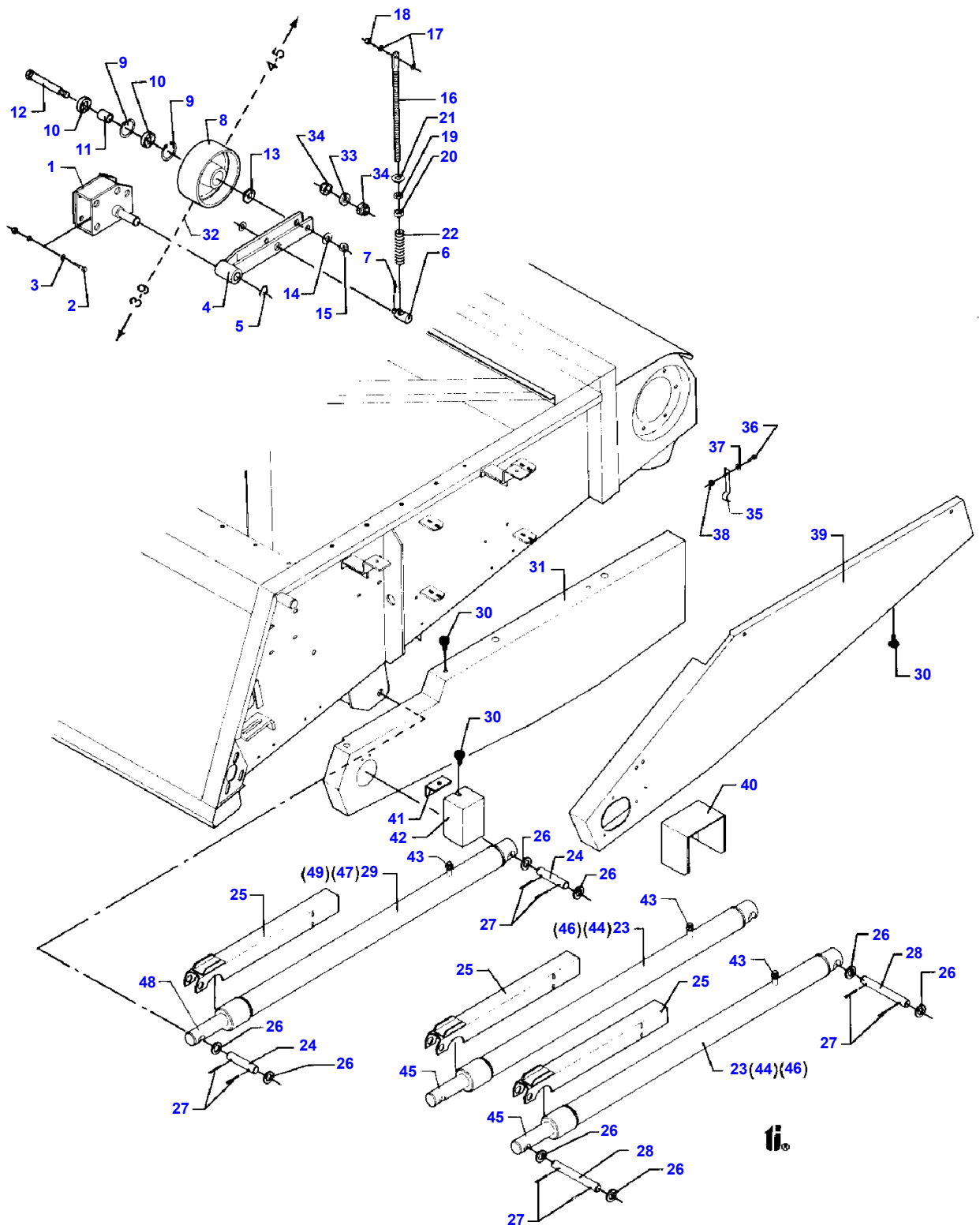
Item	Part Number	Qty	Description	Comments
1	D28281248	1	Plate	
2	D28281247	4	Guide	
3	D40685000	20	Screw Metric	
	D28281553	2	Chain	POS. 6-9
6	D28280302	2	Chain	
7	D28281556	20	Bat	
8	D40404900		Screw Metric	(5)
9	D41087500		Locknut	(5)
	D28281557	2	Rail	POS. 15-19
15	D28280540	2	Rail	
16	D28281315	2	Reinforcement	
17	D20400404	7	Washer	
18	D40600900	7	Screw Metric	
19	D41087400	7	Locknut	
20	D40070100	2	Screw Metric	
21	D20400423	2	Washer	
22	D41010900	2	Nut Metric	
23	D28281523	2	Tube	
24	D28281519	2	Tube	
25	D28281520	1	Tube	
26	D42350800	1	Connecting Link	
27	D42350700	1	Connecting Link	
28	D42350900	1	Cranked Link	
29	D42350600	1	Link	
30	D42354900	1	Link	
31	D41397400		Clamp	
32	D28281610	1	Fitting	(V) (V) MAIZE EQUIPMENT (5) OPTIONAL



MASSEY FERGUSON**MF 38 COMBINE, ->| 47597 - 1810921A****1810921A****3-4****TABLE CLUTCH**

Item	Part Number	Qty	Description	Comments
1	D28283598	1	Shaft	F.47598
4	D43107900	4	Key	
5	D28281295	1	Channel	
6	D28280120	1	Pulley	
8	D28280262	1	Sprocket	
	D28281618	1	Pinion	(V)
9	D40407900	6	Screw Metric	
10	D20400471	6	Washer	
11	D28280118	1	Hub	
12	D45481200	1	O Ring	
13	D28280116	1	Plate	
14	D40429400	4	HEXAGON SCREW	F.47598
15	D28251025	4	Washer	F.47598
16	D28260098	4	Comp.Spring	F.47598
17	D41012100	4	Locknut	
18	D28280252	1	Ring	
19	D42596900	2	Element	
20	D28280261	1	Ring	
21	D40433200	1	HEXAGON SCREW	
22	D20400459	1	Washer	
23	D45903400	2	Friction Disc	
24	D43001600	1	Greaser	
27	D41979800	1	Belt	
28	D42329600	1	Chain	
	D42333200	1	Chain	(V)
29	D42367700	1	Connecting Link	
30	D42367800	1	Link	
31	D28281027	1	Cowl	
32	D40404700	4	Screw Metric	
33	D20400409	4	Washer	
34	D28281296	2	Bracket	
35	D40405000	8	Screw Metric	
36	D20400506	8	Spacer	
37	D41013500	8	Nut	(V)

MAIZE EQUIPMENT



MASSEY FERGUSON

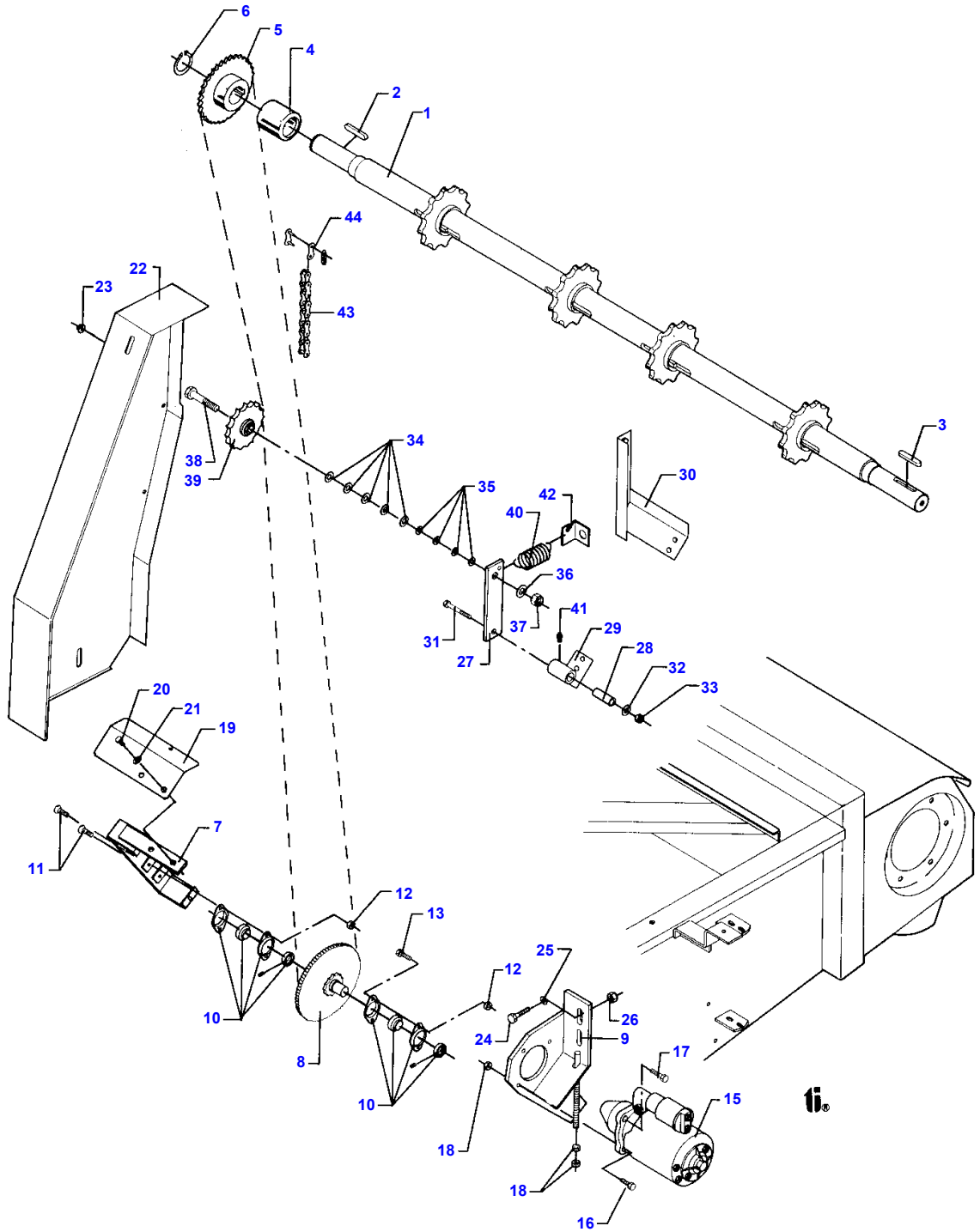
MF 38 COMBINE, ->| 47597 - 1810921A

1810921A

3-5

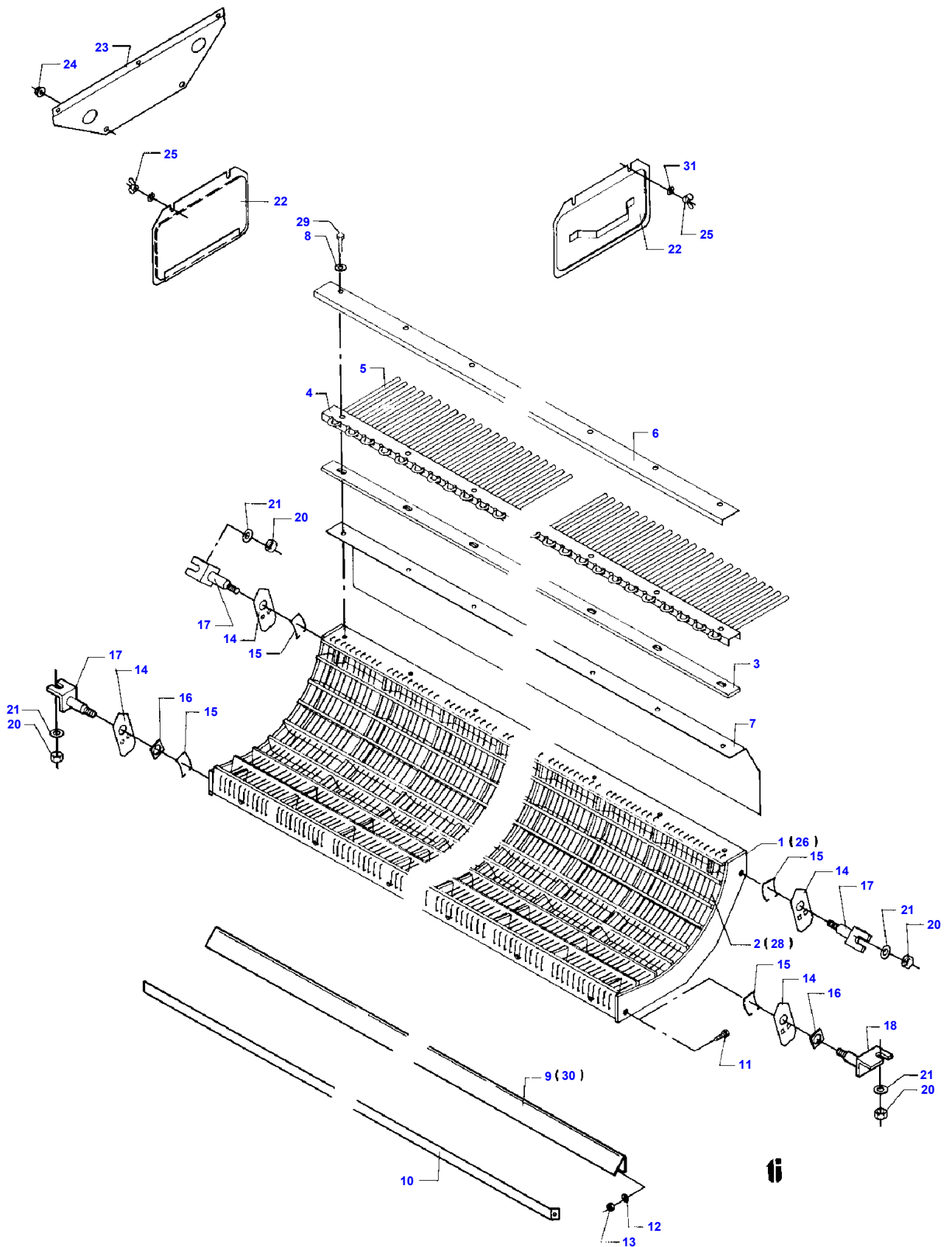
HYDRAULIC CYLINDER

Item	Part Number	Qty	Description	Comments
1	D28780496	1	Bracket	
2	D40408100	4	HEXAGON SCREW	
3	D20400419	4	Washer	
4	D28780026	1	Lever	
5	D42502300	1	Circlip	
6	D28780030	1	Pivot	
7	D41404400	1	SPLIT PIN	
8	D28880196	1	Pulley	
9	D42513700	2	Circlip	
10	D41622700	2	Bearing Ball	
11	D28780007	1	Ring	
12	D28780008	1	Bolt	
13	D28380003	1	Ring	
14	D20400459	1	Washer	
15	D41087900	1	Locknut	
16	D28380011	1	Tie Rod	
17	D20400471	2	Washer	
18	D41087600	1	Locknut	
19	D41012300	14	Nut	
20	D40900072	1	Screw	
21	D20400460	1	Washer	
22	D28210881	1	Comp.Spring	
23	D45100057	2	Ram	45 X 600
24	D28282040	2	Bolt	
25	D28752129	3	Housing	
26	D20400467	8	Washer	
27	D41411100	8	SPLIT PIN	
28	D28282039	2	Bolt	
29	D45100058	1	Ram	50 X 600
30	D43385200	5	Screw	
31	D28280584	1	Guard	
32	D41979800	1	Belt	
33	D28780776	1	Spacer	
34	D28780777	2	Eccentric	
35	D28260477	3	Retainer	
36	D40402600	3	Screw Metric	
37	D20400404	6	Washer	
38	D41087400	3	Locknut	
39	D28281615	1	Guard	(V)
40	D28281637	1	Guard	(V)
41	D28281646	1	Retainer	(V)
42	D28281647	1	Guard	(V)
43	D45250800		Union	PACOMA
44	D45100096	2	Snapping	PACOMA
45	D45100085	2	Piston Rod	PACOMA
46	D45100074	2	Kit, Seal	PACOMA
	D45110023	2	Kit, Joint	PPT
47	D45100097	1	Snapping	PACOMA
48	D45100086	1	Cylinder Rod	PACOMA
49	D45100075	1	Kit, Seal	PACOMA
	D45110024	1	Kit, Joint	PPT
				(V)
				MAIZE EQUIPMENT



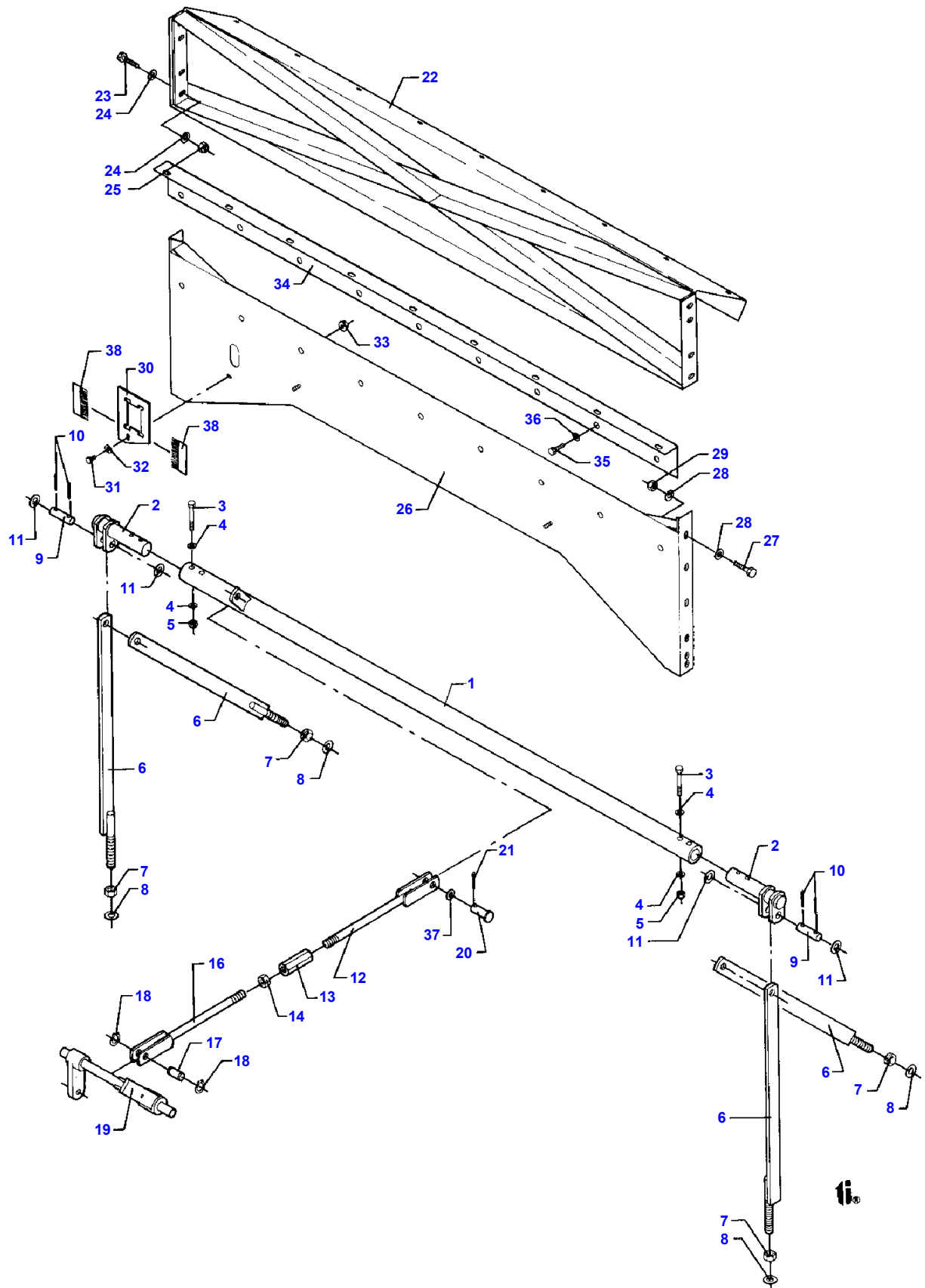
REVERSING DEVICE

Item	Part Number	Qty	Description	Comments
1	D28283598	1	Shaft	F.47598
2	D43107500	1	Key	F.47598
3	D43107900		Key	
4	D28283545	1	Spacer	F.47598
5	D28283544	1	Sprocket	F.47598
6	D42504300	1	Circlip	
7	D28283537	1	Bow Saw	(3)
8	D28283513	1	Pinion	(3)
9	D28283514	1	Bracket	(3)
10	D41713900	2	Bearing	(3)
11	D40603400	2	Screw Metric	
12	D41010800	4	Nut Metric	
13	D40407800	2	HEXAGON SCREW	
14	D20400507	2	Spacer	
15	D45070088	1	Choke	(3)
16	D40407900	2	Screw Metric	
17	D40408100	1	HEXAGON SCREW	
18	D41010800	3	Nut Metric	
19	D28283541	1	Shield	(3)
20	D40404500	2	HEXAGON SCREW	
21	D20400506	2	Spacer	
22	D28283519	1	Shield	(3)
23	D41013500	3	Nut	
24	D40428300	2	HEXAGON SCREW	
25	D20400446	2	Washer	
26	D41087700	2	Locknut	
27	D28283818	1	Arm	(3)
28	D28283820	1	Bush	(3)
29	D28283823	1	Bearing	(3)
30	D28283542	1	Support	(3)
31	D40426600	1	Screw Metric	
32	D20400507	1	Spacer	
33	D41087600	1	Locknut	
34	D20400458	5	Washer	
35	D20400516	4	Spacer	
36	D20400462	1	Washer	
37	D41087900	1	Locknut	
38	D40433700	1	HEXAGON SCREW	
39	D41712300	1	Tensioner	(3)
40	D28760287	1	Spring	(3)
41	D43001500	1	Greaser	(3)
42	D28283819	1	Stop	(3)
43	D42333300	1	Roller	(3)
44	D42363100	1	Link	(3)
				OPTIONAL EQUIPMENT



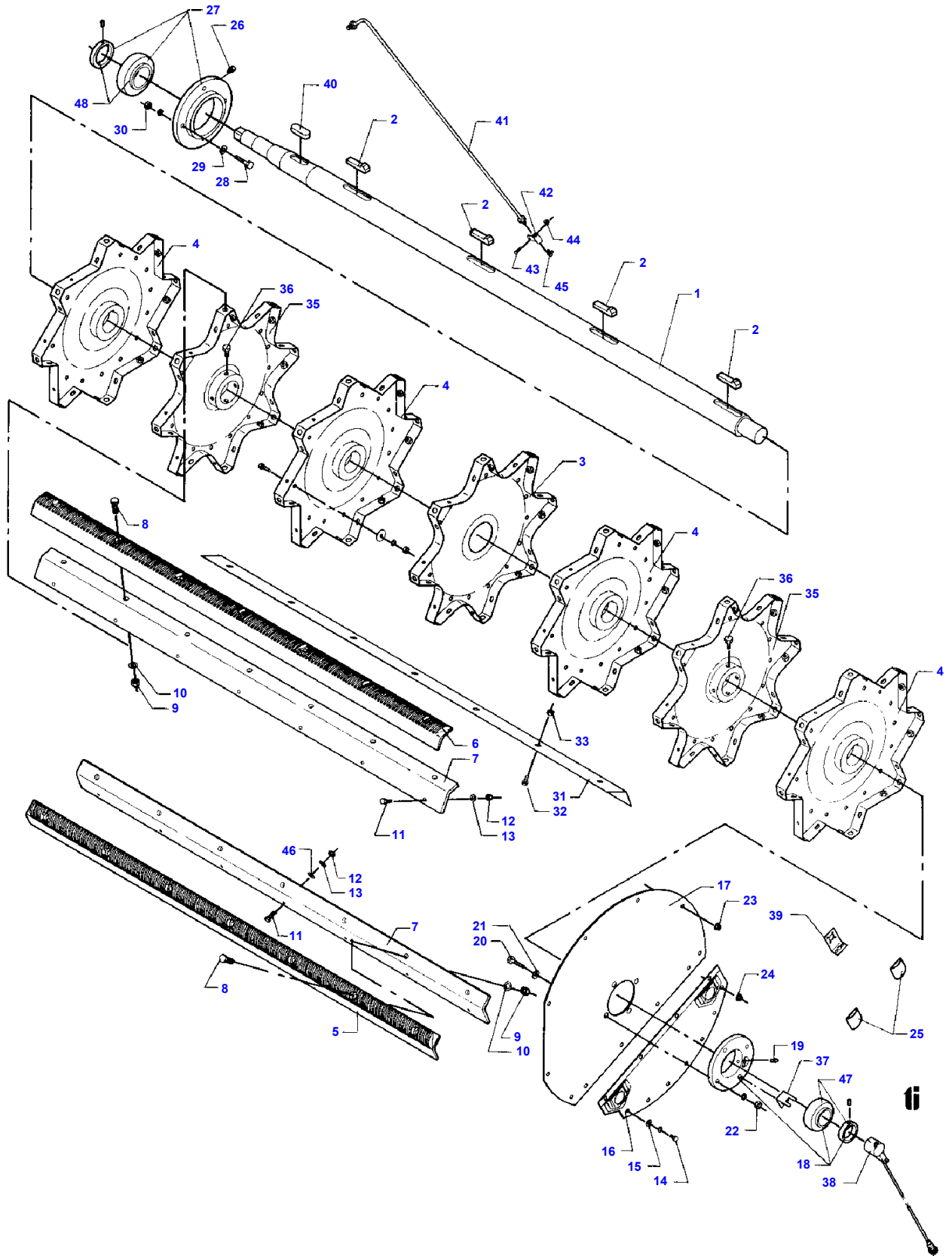
MASSEY FERGUSON**MF 38 COMBINE, ->| 47597 - 1810921A****1810921A****CONCAVE****4-1**

Item	Part Number	Qty	Description	Comments
1	D28380066	1	Concave	(3)
	D28380219	1	Concave	
2	D28380075		Wire	(5)
3	D28380078	1	Washer	
4	D28380079	1	Plate	
5	D28350257	30	Tine	
6	D28380080	1	Plate	
7	D28380081	1	Guard	
8	D20400415	8	Washer	
9	D28380077	1	Front	
10	D28380191	3	Plate	
11	D40407900	7	Screw Metric	
12	D20400419	7	Washer	
13	D41013600	7	Nut	
14	D28350146	4	Plate	POS. 14-15
15	D28350031	4	Spring	
16	D28350037	2	Gauge	
17	D28350008	3	Journal	
18	D28380182	1	Journal	
20	D41087600	4	Locknut	
21	D20400471	4	Washer	
22	D28150041	2	Cover	Left Hand
23	D28380091	1	Shutter	
25	D41013500	4	Nut	
	D41057100	4	Wing Nut	
26	D28380161	1	Concave	(3)
	D28380200	1	Concave	(3)
28	D28380158		Wire	(3)
29	D40425900	8	Screw	
30	D28380160	1	Cowl	(3)
31	D20400506	4	Spacer	
				(3)
				OPTIONAL EQUIPMENT
				(5)
				OPTIONAL



MASSEY FERGUSON**MF 38 COMBINE, ->| 47597 - 1810921A****1810921A****4-2****CONCAVE SETTING**

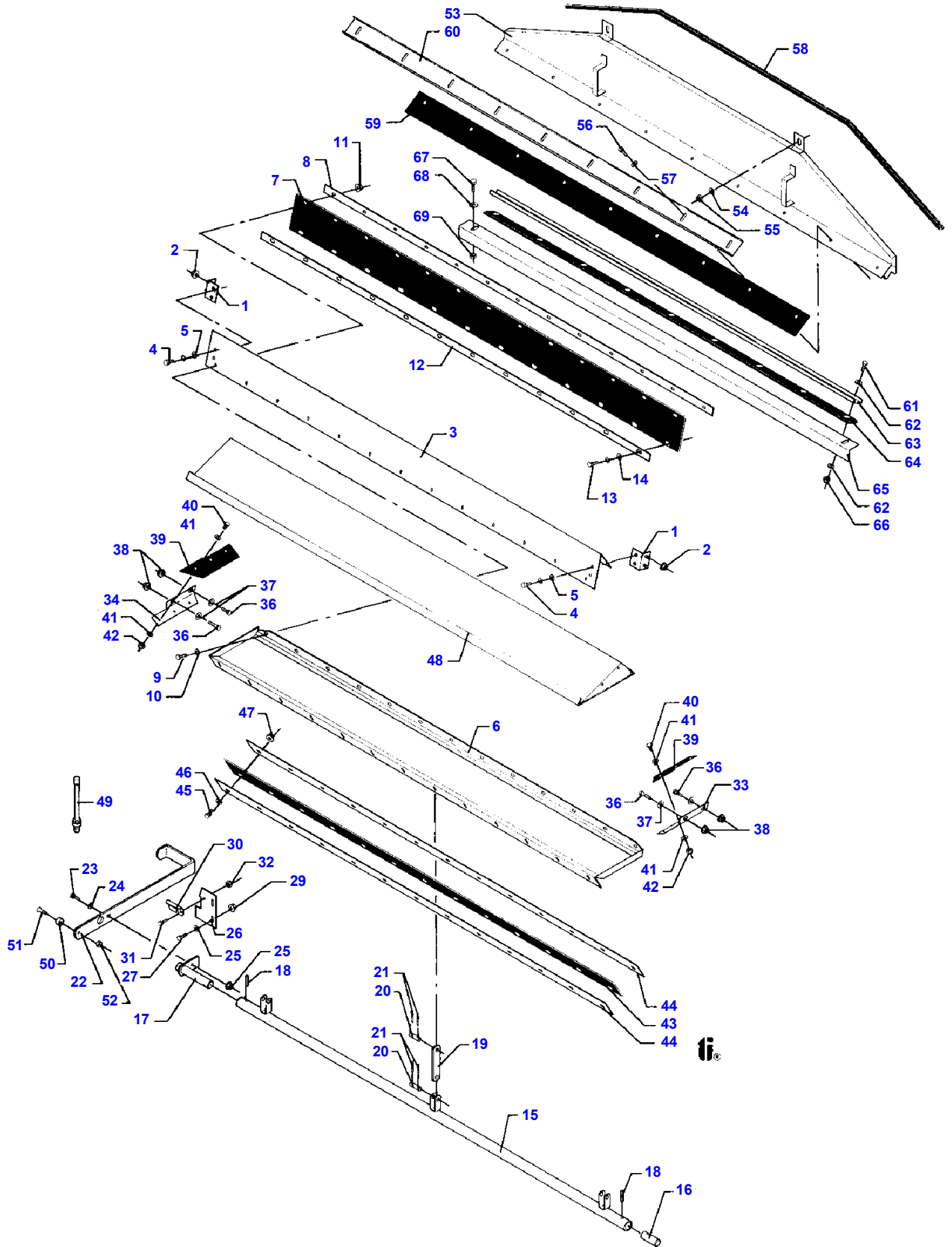
Item	Part Number	Qty	Description	Comments
1	D28380144	1	Shaft	
2	D28380139	2	Lever	
3	D40426300	4	HEXAGON SCREW	
4	D20400471	8	Washer	
5	D41087600	4	Locknut	
6	D28380142	4	Suspension	
7	D41011100	8	Nut	
8	D20400458	8	Washer	
9	D28380146	2	Pin	
10	D41408900	4	Pin	
11	D20400518	4	Spacer	
12	D28980635	1	Rod	
13	D28350090	1	Nut	T.47962
	D28884116	1	Nut	F.47963
14	D41011100	1	Nut	
16	D28980634	1	Rod	
17	D28980137	1	Pin	
18	D42501400	2	Circlip	
19	D28980658	1	Shaft	
20	D41486000	1	Clevis Pin	
21	D41408800	1	Pin	
22	D28180195	1	Support	
23	D40428300	8	Screw	
24	D20400426	16	Washer	
25	D41087700	8	Locknut	
26	D28181201	1	Plate	+F.47938
27	D40428300	12	HEXAGON SCREW	
28	D20400426	24	Washer	
29	D41087700	12	Locknut	
30	D28180188	1	Plate	+F.48013
31	D40402400	1	Screw Metric	
32	D20400470	1	Washer	
33	D41013400	1	Nut	
34	D28181088	1	Reinforcement	
35	D40407700	9	Screw	
36	D20400471	9	Washer	
37	D20400461	1	Washer	
38	D28180246	2	Brush	+F.48013



MASSEY FERGUSON**MF 38 COMBINE, ->| 47597 - 1810921A****1810921A****4-3****THRESHING DRUM**

Item	Part Number	Qty	Description	Comments
	D28380082	1	Drum	POS. 1-13
1	D28380083	1	Shaft	
2	D43160200	4	Gib Key	
3	D28380084	1	Crosspiece	
4	D28380085	4	Crosspiece	
5	D28380087	4	Beater Bar	Right Hand
6	D28380088	4	Beater Bar	Left Hand
7	D28380089	8	Support	
8	D40411100	56	Screw	
9	D41087700	56	Locknut	
10	D20400424	56	Washer	
11	D40423600	56	HEXAGON SCREW	
12	D41087500	56	Locknut	
13	D20400409	56	Washer	
14	D40404700	4	Screw Metric	
15	D20400409	4	Washer	
16	D28380091	1	Shutter	
17	D28380209	1	Cover	
18	D41715000	1	Bearing	
19	D43004900	1	Foam	
20	D40411100	4	HEXAGON SCREW	
21	D20400446	4	Washer	
22	D41010900	4	Nut Metric	
23	D41013500	7	Nut	
24	D41013500	7	Nut	
25	D27300181	4	Shutter	
26	D43009600	1	Greaser	
27	D41716400	1	Flange	
28	D40411200	4	Setscrew	
29	D20400446	4	Washer	
30	D41010900	4	Nut Metric	
31	D28380162	8	Plate	(3)
32	D40407700		Screw	
33	D41013600		Nut	
34	D20400416	1	Washer	
35	D28380202	2	Spider	
36	D40693800	2	Screw	
37	D28780749	1	Retainer	
38	D28780514	1	Sensor	
39	D28780772	1	Retainer	
40	D43110600	1	Key	
41	D28780831	1	Exhaust Pipe	
42	D43009200	1	Bracket	
43	D40402400	1	Screw Metric	
44	D41013400	1	Nut	
45	D43002700	1	Greaser	
46	D20400414	56	Washer	R.46700
47	D41713200	1	Bearing Ball	
48	D41717000	1	Bearing Assy	(3)

(3)
OPTIONAL EQUIPMENT



MASSEY FERGUSON

MF 38 COMBINE, ->| 47597 - 1810921A

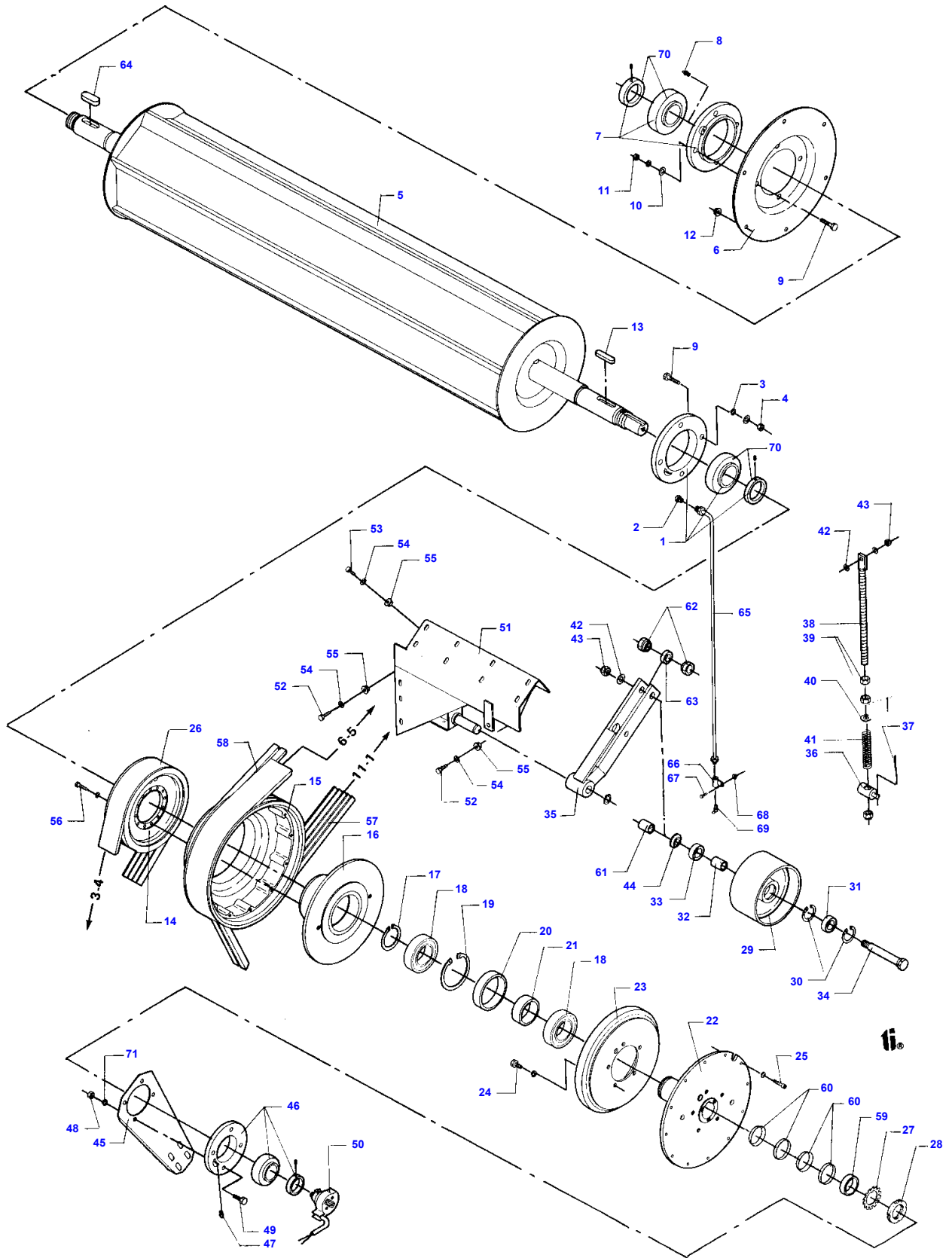
1810921A

4-4

DRUM COVER AND STONE TRAP

Item	Part Number	Qty	Description	Comments
1	D28380105	2	Elbow	
2	D41013600	4	Nut	
3	D28380106	1	Plate	
4	D40407700	4	Screw	
5	D20400471	4	Washer	
6	D28380117	1	Stone Trap	
7	D28380107	1	Curtain	
8	D28380108	1	Strip	
9	D40402700	13	Screw Metric	
10	D20400470	13	Washer	
11	D41013400	13	Nut	
12	D28380109	1	Washer	
13	D40405000	12	Screw Metric	
14	D20400506	12	Spacer	
15	D28380110	1	Shaft	
16	D28380111	1	Journal	
17	D28380112	1	Carrier	
18	D42612000	2	TIGHENING PIN	
19	D28380113	3	Strap	
20	D28600299	6	Pin	
21	D41405900	12	SPLIT PIN	
22	D28384019	1	Handle	
23	D40402600	1	Screw Metric	
24	D20400470	1	Washer	
25	D41013400	1	Nut	
26	D28380187	1	Stop	
27	D40404900	2	Screw Metric	
28	D20400506	2	Spacer	
29	D41013500	2	Nut	
30	D28150616	1	Mounting	
31	D40402600	1	Screw Metric	
32	D41087400	1	Locknut	
33	D28380118	1	Seal	Left Hand
34	D28380119	1	Seal	Right Hand
36	D40405000	2	Screw Metric	
37	D20400506	4	Spacer	
38	D41013500	4	Nut	
39	D28380148	2	Seal	
40	D40402400	6	Screw Metric	
41	D20400404	12	Washer	
42	D41087400	6	Locknut	
43	D28380115	1	Strip	
44	D28380116	2	Stop	
45	D40405000	13	Screw Metric	
46	D20400506	13	Spacer	
47	D41013500	13	Nut	
48	D28380163	1	Plate	(3)
49	D28780365	1	Pipe	
50	D45010092	1	Magnet	
51	D40316600	1	Screw	
52	D41010400	1	Nut	
53	D28180632	1	Cover	
54	D20400419	2	Washer	
55	D41087600	2	Locknut	
56	D40404900	9	Screw Metric	
57	D20400506	9	Spacer	
58	D44706600		Seal Section	1,780M
59	D28180409	1	Seal	
60	D28180628	1	Rail	
61	D40405100	9	Screw Metric	
62	D20400506	18	Spacer	
63	D28180630	1	Rail	
64	D28180629	1	Deflector	
65	D28180627	1	Profile	
66	D41087500	1	Locknut	
67	D40408000	2	HEXAGON SCREW	
68	D20400415	2	Washer	
69	D41010800	2	Nut Metric	

(3)
OPTIONAL EQUIPMENT

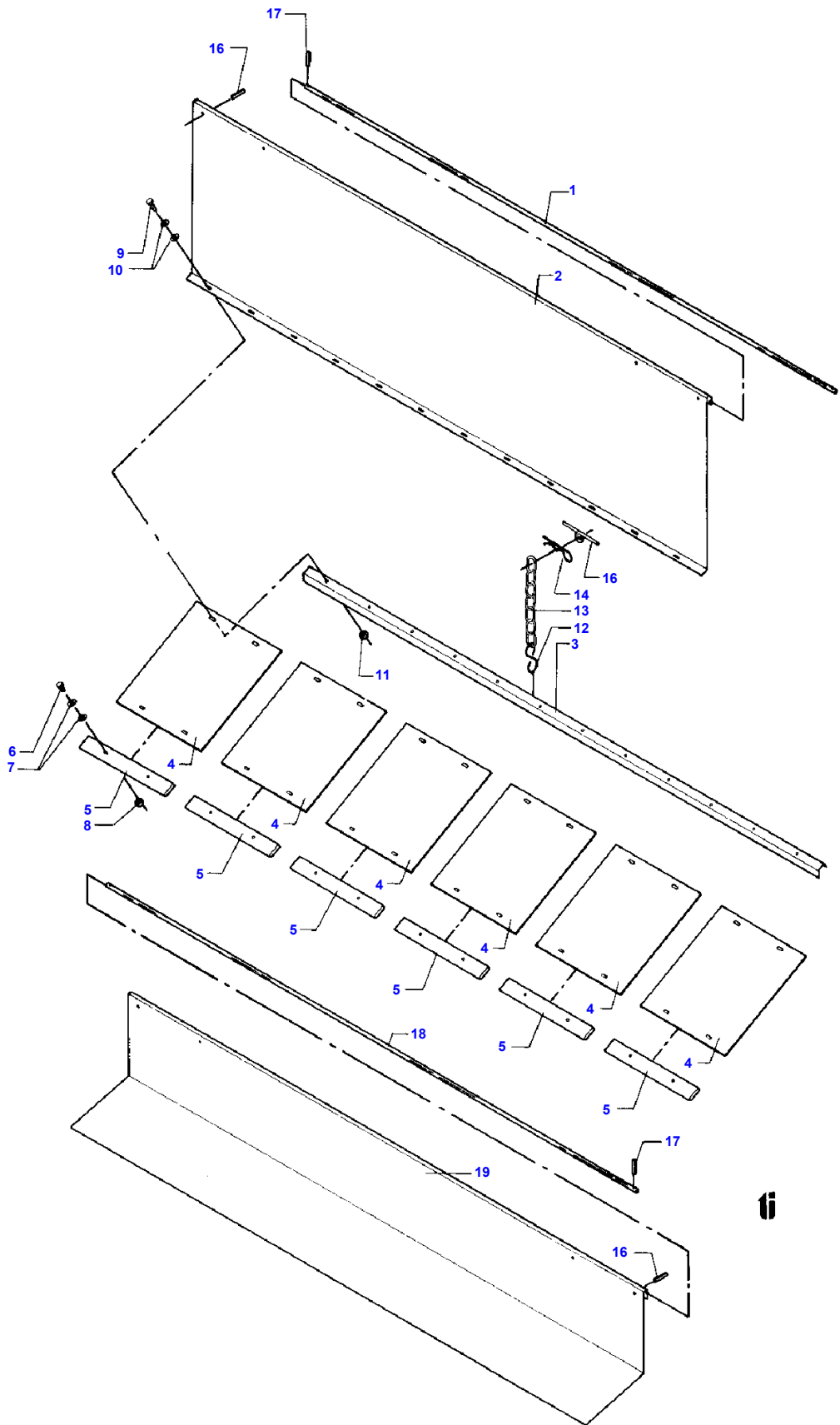


MASSEY FERGUSON**MF 38 COMBINE, ->| 47597 - 1810921A****1810921A****4-5****STRIPPER BEATER**

Item	Part Number	Qty	Description	Comments
1	D41716400	1	Flange	
2	D43009600	1	Greaser	
3	D20400446	4	Washer	
4	D41010900	4	Nut Metric	
5	D28380186	1	Beater	
6	D28380103	1	Cover	
7	D41716400	1	Flange	
8	D43004900	1	Foam	
9	D40411100	8	HEXAGON SCREW	
10	D20400446	4	Washer	
11	D41010900	4	Nut Metric	
12	D41013500	6	Nut	
13	D43159000	1	Key	
	D28380064	1	Clutch	P. 14-26
14	D28380047	1	Pulley	
15	D28380045	1	Washer	
16	D28380057	1	Hub	
17	D42505500	1	Circlip	
18	D41617700	2	Bearing Ball	
19	D42516700	1	Circlip	
20	D28380042	1	Ring	
21	D28380043	1	Ring	
22	D28380062	1	Hub	
23	D45061600	1	Clutch	
24	D40410800	4	HEXAGON SCREW	
25	D40690500	12	Screw Metric	
26	D41979800	1	Belt	
27	D28780617	1	Washer	
28	D25700322	1	Nut	
29	D28780486	1	Roller	
30	D42513700	2	Circlip	
31	D41622700	1	Bearing Ball	
32	D28780007	1	Ring	
33	D41622700	1	Bearing Ball	
34	D28780008	1	Bolt	
35	D28780026	1	Lever	
36	D28780030	1	Pivot	
37	D41404400	1	SPLIT PIN	
38	D28380011	1	Tie Rod	
39	D41012300	1	Nut	
40	D20400459	1	Washer	
41	D28210881	1	Comp.Spring	
42	D20400459	2	Washer	
43	D41087900	2	Locknut	
44	D28880354	1	Spacer	
45	D28380020	1	Yoke	
46	D41711000	1	Flange	
47	D43001500	1	Greaser	
48	D41010900	4	Nut Metric	
49	D40411000	4	HEXAGON SCREW	
50	D28780404	1	Retainer	
51	D28780830	1	Tensioner	
52	D40408000	2	HEXAGON SCREW	
53	D40407800	2	HEXAGON SCREW	
54	D20400415	4	Washer	
55	D41013600	4	Nut	
56	D40405100	12	Screw Metric	
57	D41979900	1	Belt	
58	D41990001	2	V Belt	
59	D28380195	1	Bush	
60	D42595900	2	Tightener	
61	D28380003	1	Ring	
32	D28780777	2	Eccentric	
63	D28780776	1	Spacer	
64	D43110600	1	Key	
65	D28780831	1	Exhaust Pipe	
66	D43009200	1	Bracket	
67	D40402400	1	Screw Metric	
68	D41013400	1	Nut	
69	D43002700	1	Greaser	

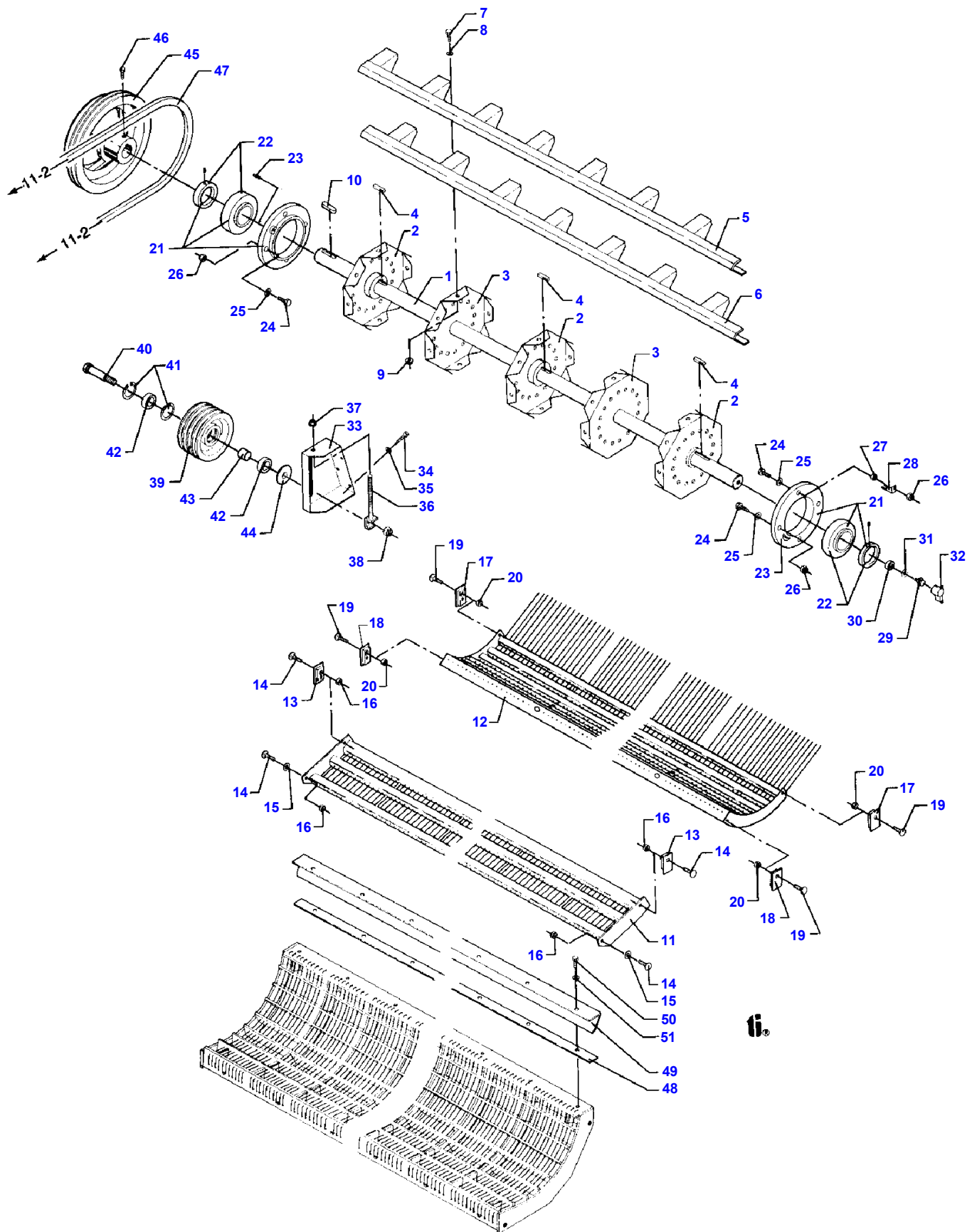
MASSEY FERGUSON**MF 38 COMBINE, ->| 47597 - 1810921A****1810921A****STRIPPER BEATER****4-5**

Item	Part Number	Qty	Description	Comments
70	D41717000	2	Bearing Assy	
71	D41705700		Bearing Ball	
72	D20400424	4	Washer	



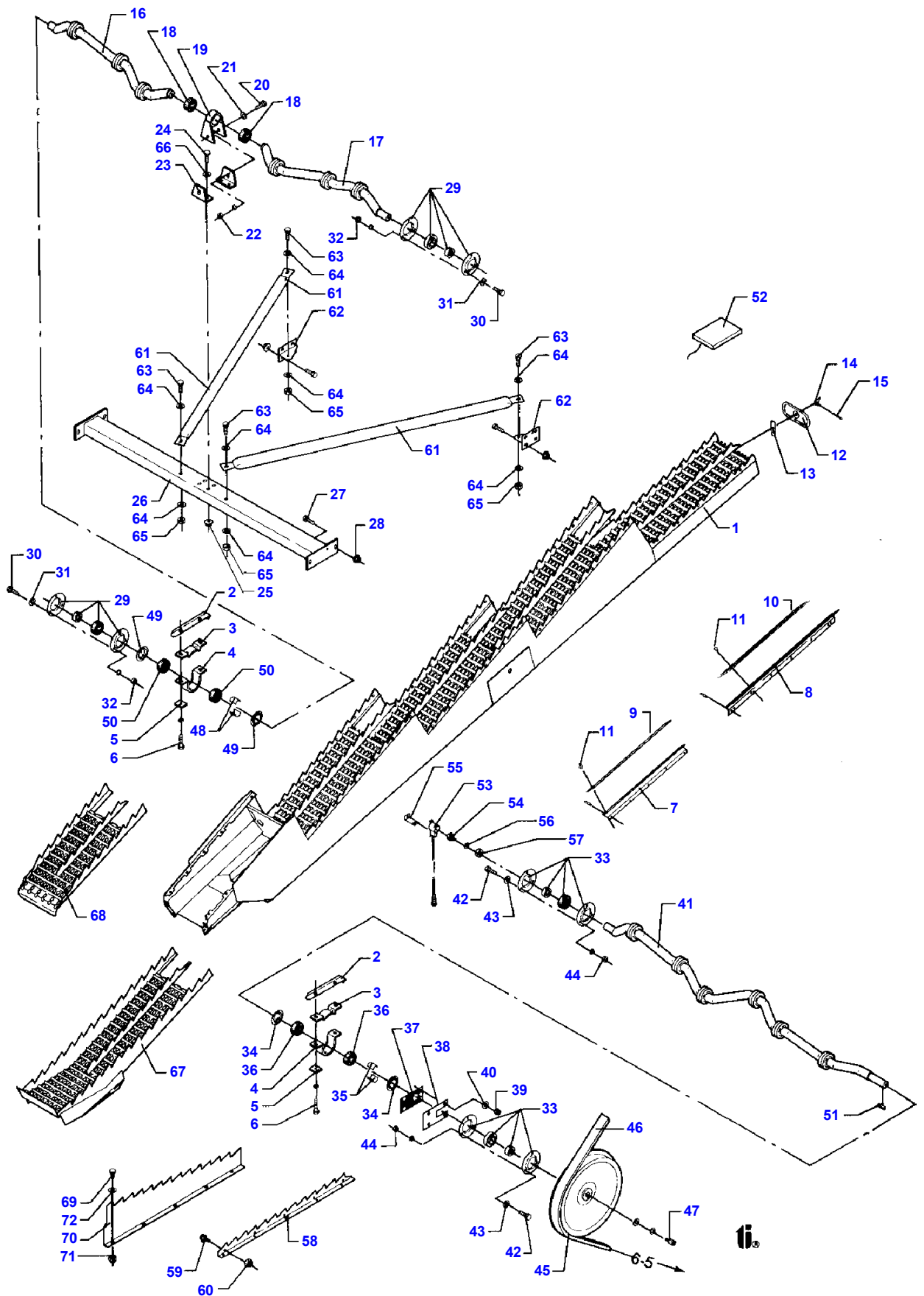
CHECK FLAPS

Item	Part Number	Qty	Description
1	D28180133	1	Shaft
2	D28180136	1	Shield
3	D28180132	1	Rail
4	D28180131	6	Plate
5	D28180130	6	Reinforcement
6	D40402400	12	Screw Metric
7	D20400404	24	Washer
8	D41087400	12	Locknut
9	D40404900	12	Screw Metric
10	D20400506	24	Spacer
11	D41087500	12	Locknut
12	D42386000	1	Hook
13	D28180405	1	Chain
14	D27100120	1	Hair Pin
15	D21100341	1	Retainer
16	D41408800	8	Pin
17	D41415000	4	Pin
18	D28180133	1	Shaft
19	D28181019	1	Cowl



MASSEY FERGUSON**MF 38 COMBINE, ->| 47597 - 1810921A****1810921A****CONCAVE AND CYLINDER - GRAIN SEPARATOR****4-7**

Item	Part Number	Qty	Description	Comments
	D28380260	1	Cylinder	POS. 1-9
1	D28380259	1	Shaft	
2	D28380258	3	Drum	
3	D28380257	2	Drum	
4	D43154900	3	Gib Key	
5	D28380254	4	Batt	
6	D28380255	4	Batt	
7	D40407800	40	HEXAGON SCREW	
8	D20400415	40	Washer	
9	D41013600	40	Nut	
10	D43107500	1	Key	
11	D28380252	1	Beater	
12	D28380245	1	Separator	
13	D28380278	2	Support	
14	D40070200	4	Screw Metric	
15	D20400426	2	Washer	
16	D41010900	4	Nut Metric	
17	D28380262	2	Support	
18	D28380264	2	Support	
19	D40070300	4	Screw	
20	D41010900	4	Nut Metric	
21	D41711000	2	Flange	
22	D41705700	2	Bearing Ball	
23	D43001500	2	Greaser	
24	D40411100	8	HEXAGON SCREW	
25	D20400426	8	Washer	
26	D41087700	8	Locknut	
27	D41010900	1	Nut Metric	
28	D28780611	1	Retainer	
29	D28780516	1	Bolt	
30	D41622600	1	Bearing Ball	
31	D20400419	1	Washer	
32	D28780514	1	Sensor	
33	D28380234	1	Bracket	
34	D40408000	3	HEXAGON SCREW	
35	D20400415	3	Washer	
36	D28211025	1	Bolt	
37	D41013600	1	Nut	
38	D41087900	1	Locknut	
39	D28380242	1	Roller	
40	D28480090	1	Bolt	
41	D42513700	2	Circlip	
42	D41622700	2	Bearing Ball	
43	D28780007	1	Ring	
44	D28380235	1	Washer	
45	D28380244	1	Pulley	
46	D40407800	2	HEXAGON SCREW	
47	D41990007	2	Belt	
48	D28380291	1	Chock	
49	D28380261	1	Extension	
50	D40407800	2	HEXAGON SCREW	
51	D20400415	8	Washer	



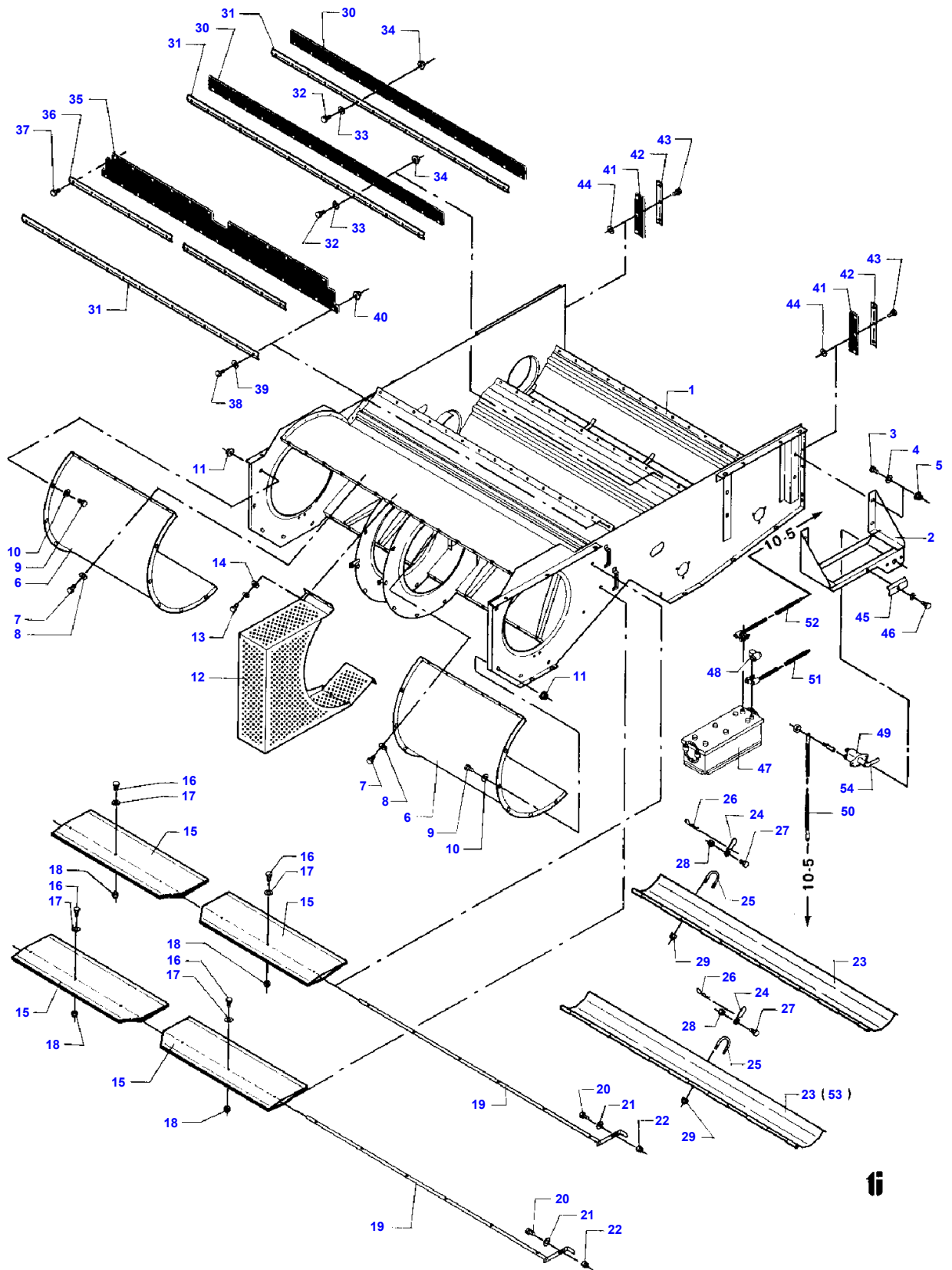
MASSEY FERGUSON**MF 38 COMBINE, ->| 47597 - 1810921A****1810921A****5-1****STRAW SHAKER AND CRANKS**

Item	Part Number	Qty	Description	Comments
1	D28480523	1	Walker	+F.48012
2	D28460005	12	Dog	
3	D28450624	12	Bottom Part	
4	D28450625	12	Holder	
5	D28450626	24	Dog	
6	D40407900	24	Screw Metric	
7	D28450536	2	Plate	
8	D28480301	2	Plate	
9	D28450637	2	Bush	
10	D28480300	2	Seal	
11	D43427400	48	Fastener	
	D28450115	6	Cover	POS. 12-15
12	D28450114	6	Cover	
13	D27400370	6	Spring	
14	D27400371	6	Lock	
15	D41408800	6	Pin	
16	D28480068	1	Crankshaft	
17	D28480287	1	Crank	
18	D41617000	12	Bearing Ball	
19	D28480355	1	Bracket	
20	D40411000	2	HEXAGON SCREW	
21	D20400426	4	Washer	
22	D41010900	2	Nut Metric	
23	D28480356	2	Bracket	
24	D40405000	4	Screw Metric	
25	D41013500	4	Nut	
26	D28480228	1	Crossmember	
27	D40407800	4	HEXAGON SCREW	
28	D41013600	4	Nut	
	D41709600	2	Flange	
30	D40407700	6	Screw	
31	D20400507	12	Spacer	
32	D41010800	6	Nut Metric	
33	D41709600	2	Flange	
34	D28460184	12	Cover	
35	D28450278	12	Bush	
36	D41623100	12	Bearing Ball	
37	D28180699	1	Seal	
38	D28180700	1	Plate	
39	D41087500	5	Locknut	
40	D20400409	5	Washer	
41	D28480078	1	Crankshaft	
42	D40407700	5	Screw	
43	D20400507	12	Spacer	
44	D41010800	6	Nut Metric	
45	D28480377	1	Pulley	
46	D41979000	1	Belt	
47	D28780419	1	Threaded Part	
48	D28450278	12	Bush	
49	D28460184	12	Cover	
50	D41623100	12	Bearing Ball	
51	D43104700	1	Key	
52	D45060058	1	Sensor	
53	D28780514	1	Sensor	
54	D28780516	1	Bolt	
55	D28780692	1	Retainer	
56	D20400419	1	Washer	
57	D41622600	1	Bearing Ball	
58	D28480461	1	Rake	(3)
59	D28480462	4	Bolt	(3)
60	D41087500	4	Locknut	
61	D28180145	2	Reinforcement	
62	D28180645	2	Bracket	
63	D40411100	4	HEXAGON SCREW	
64	D20400426	8	Washer	
65	D41087700	4	Locknut	
66	D20400506	4	Spacer	
67	D28480514	6	Facing	(H7) +F.48038
68	D28480491	6	Facing	(H6)

MASSEY FERGUSON**MF 38 COMBINE, ->| 47597 - 1810921A****1810921A****STRAW SHAKER AND CRANKS****5-1**

Item	Part Number	Qty	Description	Comments
69	D28480462	5	Bolt	(3)
70	D28480524	1	Raiser	(3)
71	D41087500	5	Locknut	
72	D20400506	5	Spacer	

(H6)
FOR MACHINES WITH GRAIN SEPARATOR
(H7)
FOR MACHINES WITHOUT GRAIN SEPARATOR
(3)
OPTIONAL EQUIPMENT

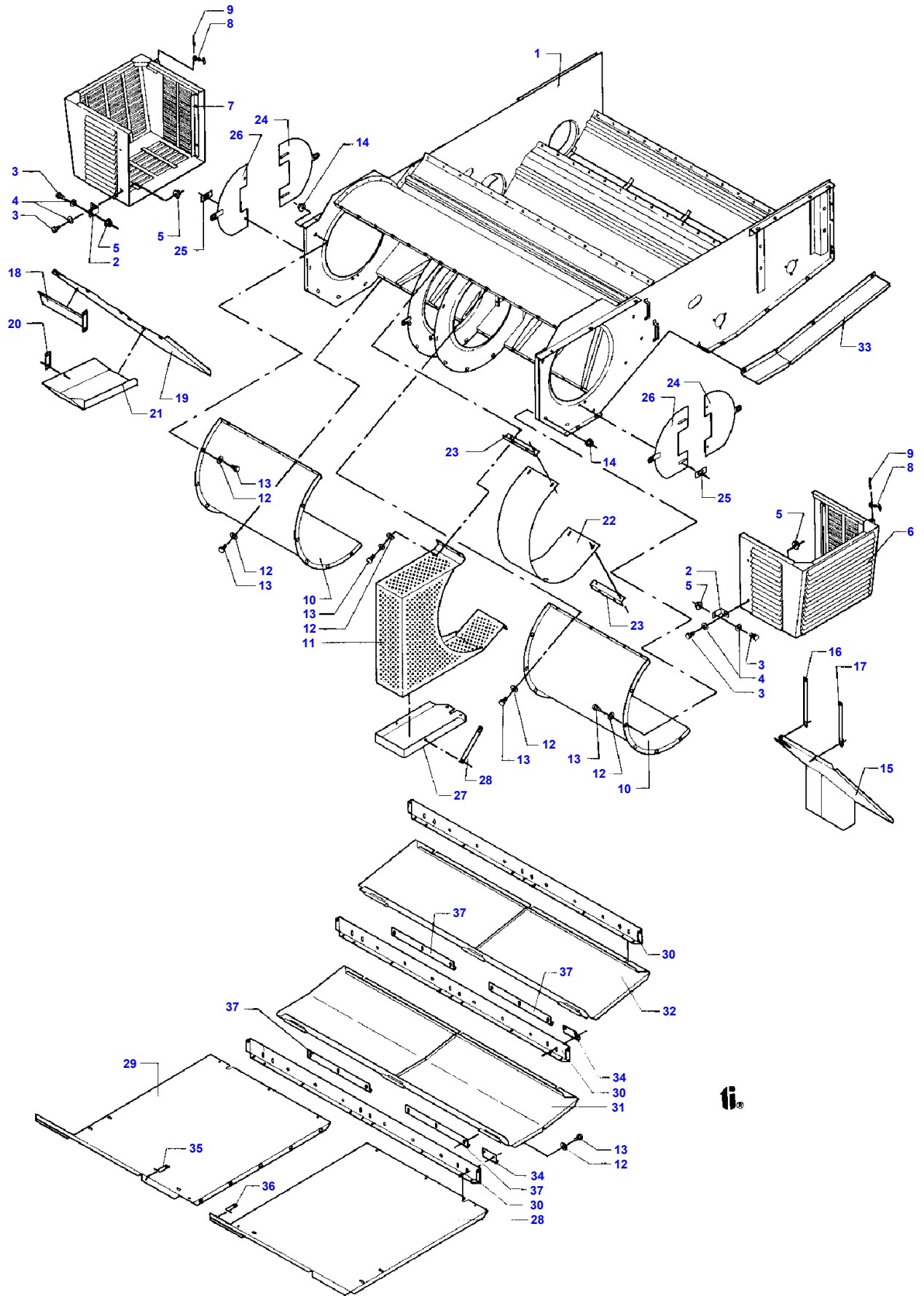


fi

MASSEY FERGUSON**MF 38 COMBINE, ->| 47597 - 1810921A****1810921A****FAN HOUSING WITH MANTLE AND ROTARY AIR INTAKE****6-1A**

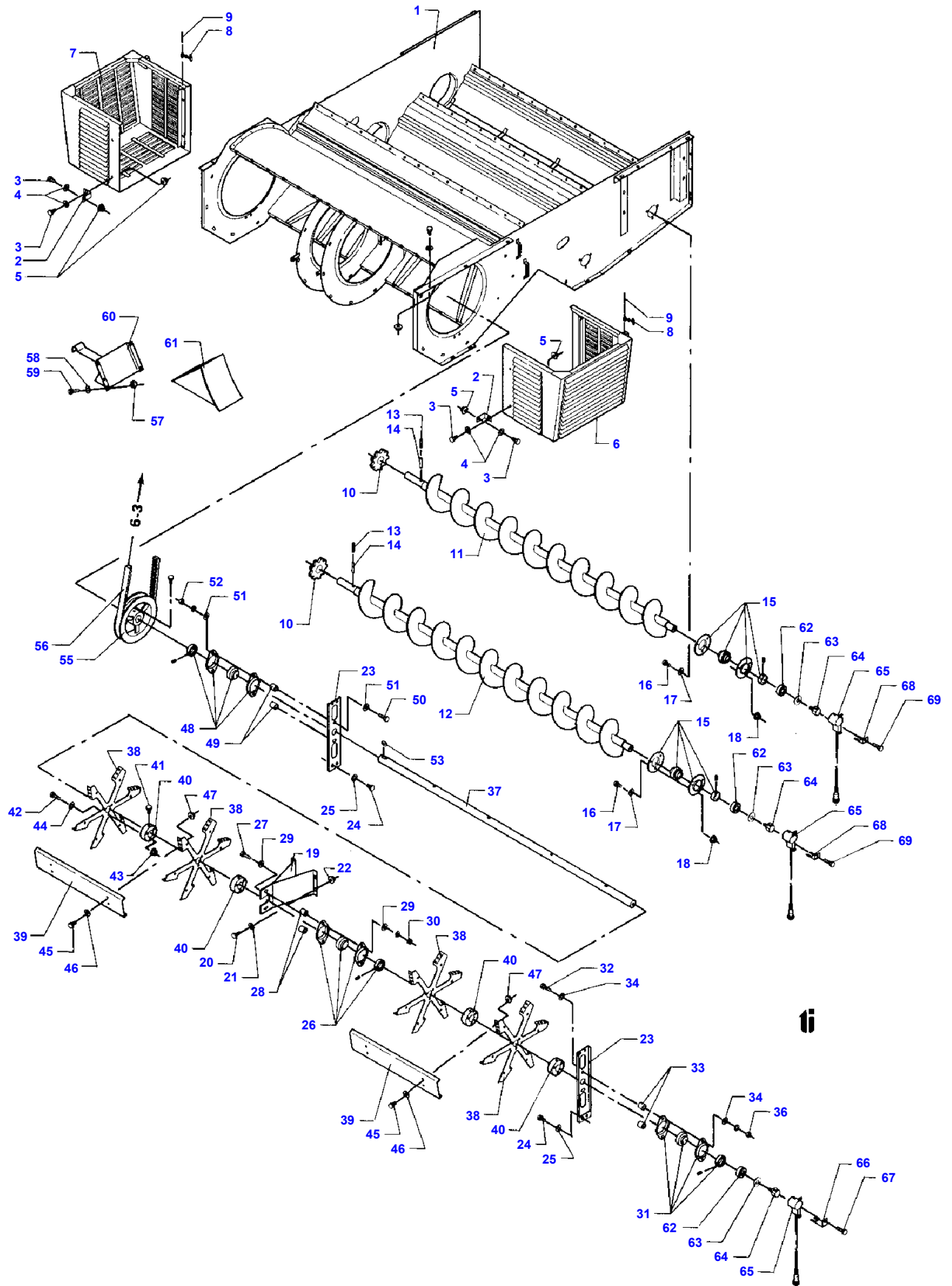
Item	Part Number	Qty	Description	Comments
1	D28480556	1	Boot	+F.47938
2	D28480375	1	Retainer	
3	D40404900	4	Screw Metric	
4	D20400409	4	Washer	
5	D41013500	4	Nut	
6	D28480171	2	Shell	
7	D40404900	24	Screw Metric	
8	D20400409	24	Washer	
9	D40404900	20	Screw Metric	
10	D20400409	20	Washer	
11	D41013500	20	Nut	
12	D28480216	1	Intake	
13	D40404900	6	Screw Metric	
14	D20400409	6	Washer	
15	D28480566	4	Slide	
16	D40401000	12	Screw	
17	D20400470	12	Washer	
18	D41087300	12	Locknut	
19	D28480211	2	Shaft	
20	D40405000	2	Screw Metric	
21	D20400409	4	Washer	
22	D41087500	2	Locknut	
23	D28480156	2	Shutter	
24	D28560162	6	Handle	
25	D28560165	6	U Bolt	
26	D27100120	6	Hair Pin	
27	D40402600	6	Screw Metric	
28	D41087400	6	Locknut	
29	D41087400	12	Locknut	
30	D28480158	2	Seal	
31	D28480157	3	Rail	
32	D40402700	30	Screw Metric	
33	D20400470	30	Washer	
34	D41013400	30	Nut	
35	D28480024	1	Seal	
36	D28480173	2	Rail	
37	D40402700	12	Screw Metric	
38	D40402700	15	Screw Metric	
39	D20400470	15	Washer	
40	D41013400	15	Nut	
41	D28480363	2	Seal	
42	D28480362	2	Rail	
43	D40404900	6	Screw Metric	
44	D20400409	6	Washer	
45	D28480285	1	Retainer	
46	D40404900	1	Screw Metric	
47	D45061100	1	Cylinder	
48	D45060042	1	Plug	
49	D45059800	1	Switch	
50	D28780515	1	Cable	
51	D28780205	1	Cable	+
52	D28780506	1	Cable	-
53	D28480447	1	Shutter	(R3)
54	D45060055	1	Spanner	(R3)

OPTIONAL EQUIPMENT FOR PEAS



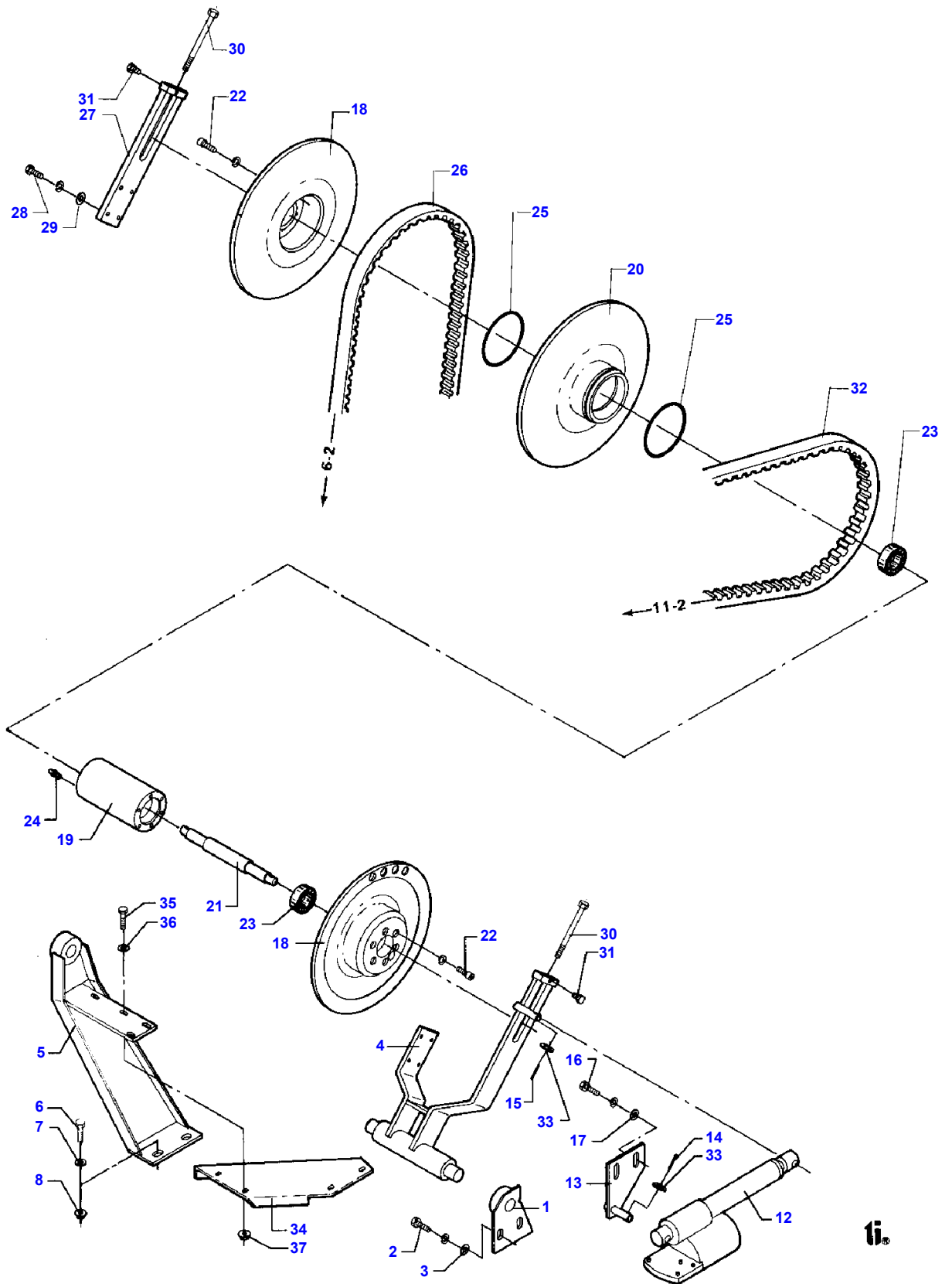
MASSEY FERGUSON**MF 38 COMBINE, ->| 47597 - 1810921A****1810921A****6-1B****FAN HOUSING WITH GUARDING**

Item	Part Number	Qty	Description	Comments
1	D28480208	1	Housing	+F.47938
2	D28180829	8	Bracket	
3	D40404900	16	Screw Metric	
4	D20400409	16	Washer	
5	D41013500	16	Nut	
6	D28180817	1	Intake	Left Hand
7	D28180818	1	Intake	Right Hand
8	D44737100	2	Rubber Strap	
9	D41411100	2	SPLIT PIN	
10	D28480171	2	Shell	
11	D28480216	1	Intake	
12	D20400409		Washer	
13	D40404900		Screw Metric	
14	D41013500		Nut	
15	D28181005		Guard	(3)
16	D28180997		Stay	(3)
17	D28180996		Stay	(3)
18	D28180994	1	Bracket	(3) Right Hand
19	D28181004	1	Guard	(3)
20	D28180991	1	Mounting	(3)
21	D28181002	1	Guard	(3)
22	D28480401	1	Tube	(3)
23	D28480397	2	Clamp	(3)
24	D28480400	2	Cover	(3)
25	D28480396	4	Mounting	(3)
26	D28480399	2	Cover	(3)
27	D28480421	1	Cover	(3)
28	D28480422	1	Cover	(3)
29	D28480429	1	Cover	(3)
30	D28480423	3	Profile	(3)
31	D28480413	1	Shutter	(3)
32	D28480411	1	Shutter	(3)
33	D28480456	1	Cover	(3)
34	D28480417	6	Hinge	(3)
35	D28480420	2	Bracket	(3)
36	D28480419	2	Bracket	(3)
37	D28480478	4	Chock	(3) +F.46565
38	D28480418	2	Stay	(3) OPTIONAL EQUIPMENT



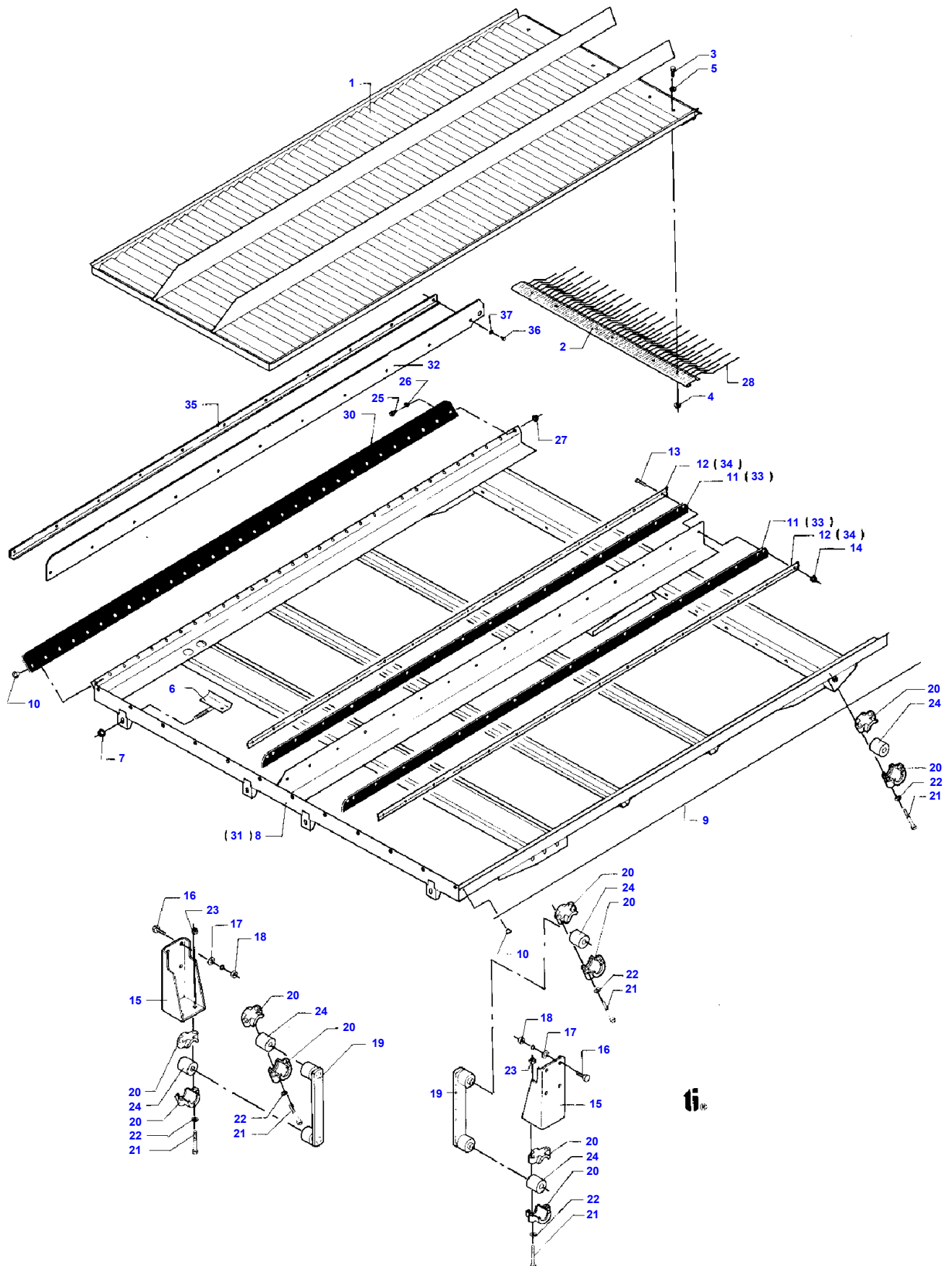
MASSEY FERGUSON**MF 38 COMBINE, ->| 47597 - 1810921A****1810921A****MAIN FAN BLADE AND BOTTOM AUGER****6-2**

Item	Part Number	Qty	Description	Comments
1	D28480556	1	Boot	+F.47938
2	D28180829	8	Bracket	
3	D40404900	16	Screw Metric	
4	D20400409	16	Washer	
5	D41013500	16	Nut	
6	D28180817	1	Intake	Left Hand
7	D28180818	1	Intake	Right Hand
8	D44737100	2	Rubber Strap	
9	D41411100	2	SPLIT PIN	
10	D28580202	2	Sprocket	Number of teeth/spines 9
11	D28480361	1	Auger	
12	D28480360	1	Auger	
13	D42610000	2	Pin	
14	D42616300	2	Pin	
15	D41709400	2	Bearing	
16	D40407700	4	Screw	
17	D20400471	12	Washer	
18	D41010800	6	Nut Metric	
19	D28480165	1	Bracket	
20	D40404900	4	Screw Metric	
21	D20400409	4	Washer	
22	D41013500	4	Nut	
23	D28480366	2	Stay	
24	D40407600	8	Screw	
25	D20400471	8	Washer	
26	D41710100	1	Bearing	
27	D40411400	2	Screw Metric	
28	D28480172	2	Spacer	
29	D20400426	4	Washer	
30	D41010900	2	Nut Metric	
31	D41710100	1	Bearing	
32	D40411400	2	Screw Metric	
33	D28480172	2	Spacer	
34	D20400426	4	Washer	
36	D41010900	2	Nut Metric	
37	D28480325	1	Shaft	
	D28480185	2	Fan	POS. 38-47
38	D28440130	4	Spider	
39	D28480174	12	Fan	
40	D28480162	4	Bush	
41	D40407900	4	Screw Metric	
42	D40405600	12	Setscrew	
43	D41013500	12	Nut	
44	D20400409	12	Washer	
45	D40405000	48	Screw Metric	
46	D20400409	48	Washer	
47	D41087500	48	Locknut	
48	D41710100	1	Bearing	
49	D28480172	2	Spacer	
50	D40411400	2	Screw Metric	
51	D20400426	4	Washer	
52	D41010900	2	Nut Metric	
53	D43106200	1	Key	
54	D40407700	1	Screw	
55	D28480142	1	Pulley	
56	D41981100	1	Belt	
57	D41013500	3	Nut	
58	D20400409	3	Washer	
59	D40405000	3	Screw Metric	
60	D28761656	1	Retainer	
61	D45907000	1	Wedge	
62	D41622600	3	Bearing Ball	
63	D20400419	3	Washer	
64	D28780516	3	Bolt	
65	D28780514	3	Sensor	
66	D28780611	1	Retainer	
67	D41010900	1	Nut Metric	
68	D28780522	2	Support	
69	D41010800	2	Nut Metric	



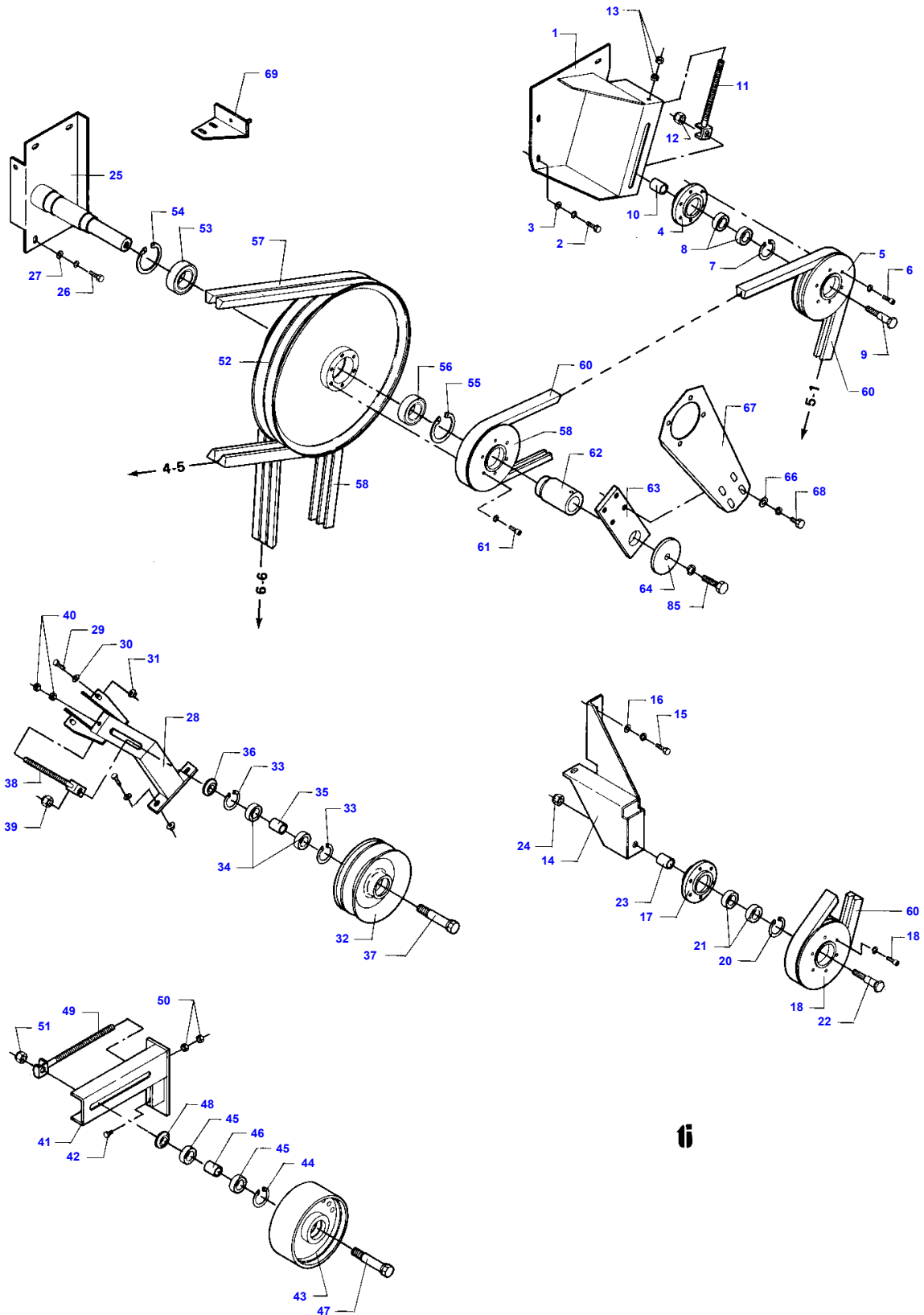
MASSEY FERGUSON**MF 38 COMBINE, ->| 47597 - 1810921A****1810921A****MAIN FAN VARIATOR****6-3**

Item	Part Number	Qty	Description	Comments
1	D28480203	1	Bracket	
2	D40407700	2	Screw	
3	D20400471	2	Washer	
4	D28480323	1	Fork	T.47597
	D28480475	1	Fork	F.47598
5	D28480322	1	Bracket	
6	D40407900	2	Screw Metric	
7	D20400416	2	Washer	
8	D41013600	2	Nut	
12	D28780473	1	Actuator	
13	D28480197	1	Bracket	T.47597
	D28480469	1	Bracket	F.47598
14	D41405900	1	SPLIT PIN	
15	D41405900	1	SPLIT PIN	
16	D40407700	2	Screw	
17	D20400471	2	Washer	
	D28480324	1	Variator	POS. 18-25
18	D28480140	2	Variator	
19	D28480321	1	Bearing Housing	
20	D28480144	1	Washer	
21	D28480316	1	Shaft	
22	D40690400	12	Screw	
23	D41628800	2	Bearing Ball	
24	D43001500	1	Greaser	
25	D45476400	2	O Ring	
26	D41981100	1	Belt	
27	D28480317	1	Fork	
28	D40405000	4	Screw Metric	
29	D20400409	4	Washer	
30	D40409400	2	Screw Metric	
31	D40402200	2	Screw Metric	
32	D41981200	1	Belt	
33	D20400537	2	Spacer	
34	D28480557	1	Support	F.47684
35	D40405100	4	Screw Metric	
36	D20400506	4	Spacer	
37	D41013500	4	Nut	



MASSEY FERGUSON**MF 38 COMBINE, ->| 47597 - 1810921A****1810921A****CONVEYOR PAN WITH SUSPENSION****6-4**

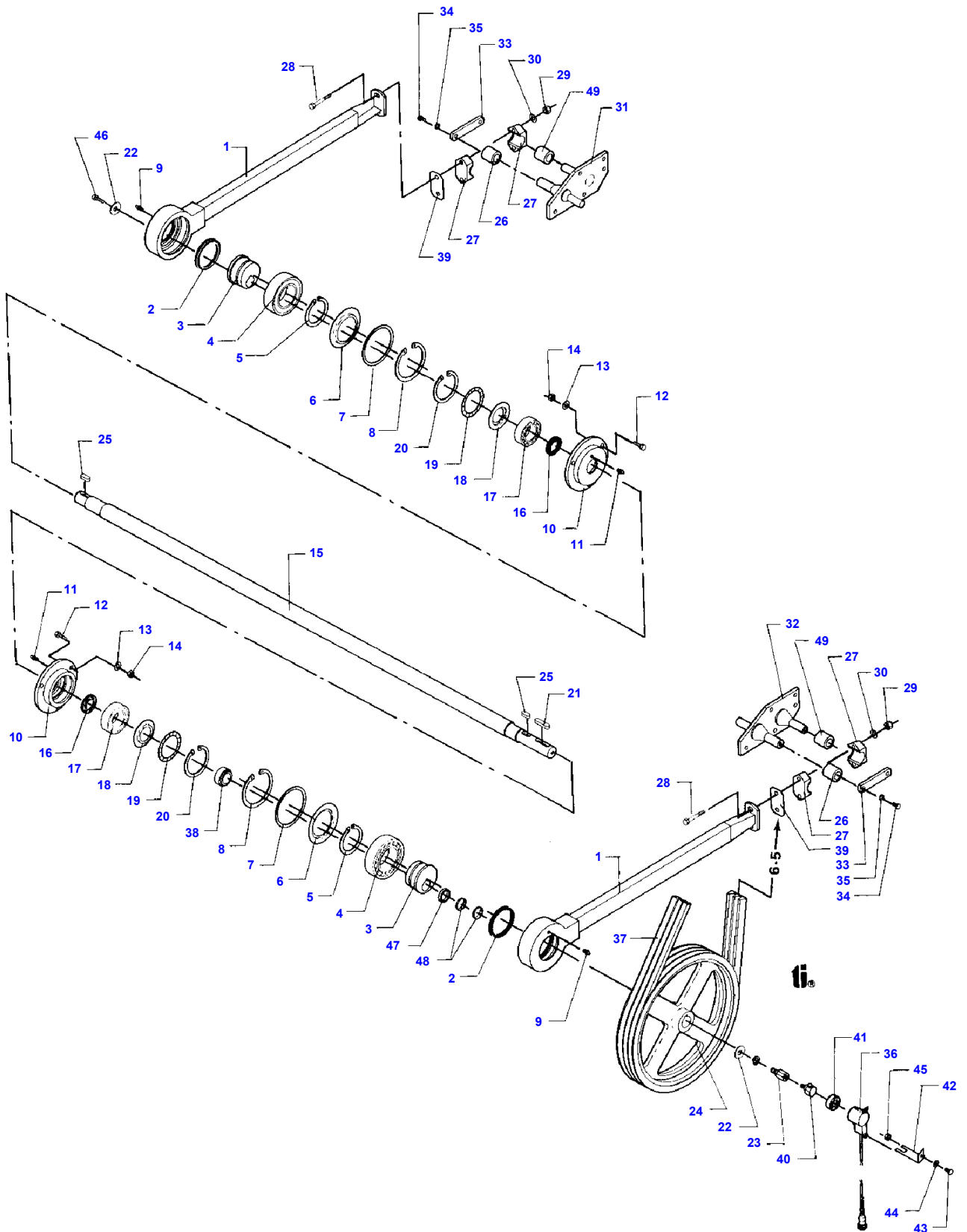
Item	Part Number	Qty	Description	Comments
1	D28480018	2	Pan	
2	D28480086	2	Grate	
3	D40405000	12	Screw Metric	
4	D41013500	12	Nut	
5	D20400409	12	Washer	
6	D28480012	4	Hook	
7	D41013600	4	Nut	
	D28480407	1	Frame	(75) POS. 8-14
8	D28480034	1	Frame	T.47962
9	D28480465	1	Gasket	(73)
10	D43427400	56	Fastener	T.47962
11	D28480019	2	Strip	T.47962
12	D28480020	2	Rail	T.47962
13	D40421800	16	HEXAGON SCREW	
14	D41013400	16	Nut	
15	D28480070	2	Bracket	
16	D40410900	8	Screw	
17	D20400426	8	Washer	
18	D41010900	8	Nut Metric	
19	D28480069	2	Arm	
20	D28430010	8	Half Flange	
21	D40426500	10	Screw	
22	D41087600	6	Locknut	
23	D20400471	10	Washer	
24	D28450420	6	Bush	
25	D40402400	6	Screw Metric	
26	D20400404	6	Washer	
27	D41013400	6	Nut	
28	D28480008	42	Pin	
30	D28480466	1	Gasket	(73)
	D28480548	1	Frame	(74) P.31-37
31	D28480536	1	Frame	F.47963
32	D28480529	1	Gasket	F.47963
33	D28480531	2	Gasket	F.47963
34	D28480530	2	Rail	F.47963
35	D28480528	2	Rail	F.47963
36	D40402300	22	HEXAGON SCREW	F.47963
37	D20400470	22	Washer	(73) USED F.46275 - T.47962 (74) USED F.47963 (75) USED T.47962



ti

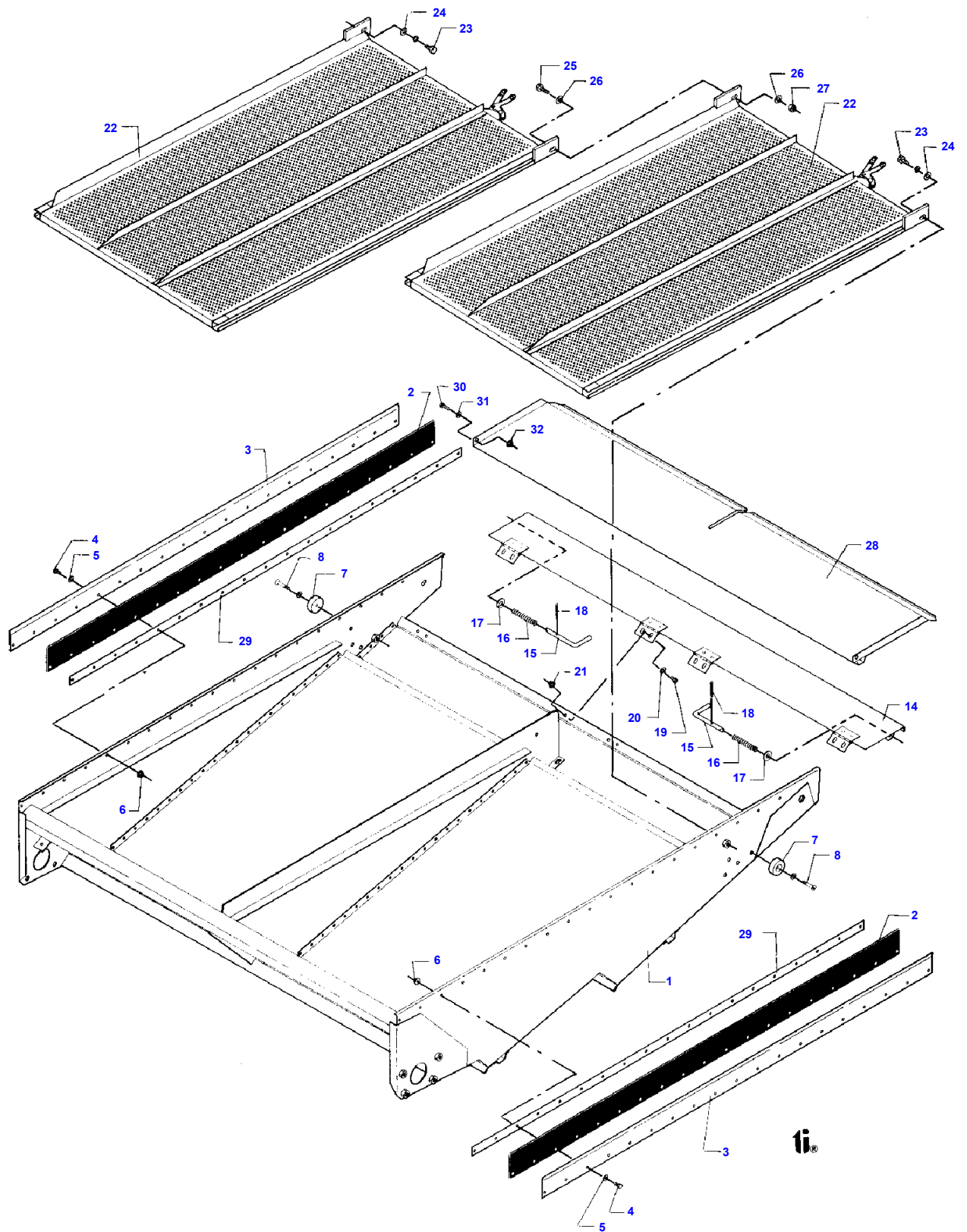
ECCENTRIC DRIVE 1

Item	Part Number	Qty	Description
1	D28480387	1	Bracket
2	D40407800	3	HEXAGON SCREW
3	D20400419	3	Washer
4	D28480357	1	Hub
5	D28480094	1	Pulley
6	D40690400	6	Screw
7	D42513700	1	Circlip
8	D41622700	2	Bearing Ball
9	D28250444	1	Bolt
10	D28880354	1	Spacer
11	D28260181	1	Bolt
12	D41087900	1	Locknut
13	D41010800	2	Nut Metric
14	D28480388	1	Bracket
15	D40407800	2	HEXAGON SCREW
16	D20400419	2	Washer
17	D28480357	1	Hub
18	D28480094	1	Pulley
19	D40690400	6	Screw
20	D42513700	1	Circlip
21	D41622700	2	Bearing Ball
22	D28250444	1	Bolt
23	D28480457	1	Spacer
24	D41087900	1	Locknut
25	D28480379	1	Bracket
26	D40407800	5	HEXAGON SCREW
27	D20400506	5	Spacer
28	D28480245	1	Bracket
29	D40405000	4	Screw Metric
30	D20400409	4	Washer
31	D41013500	4	Nut
32	D28480093	1	Pulley
33	D42513700	2	Circlip
34	D41622700	2	Bearing Ball
35	D28780007	1	Ring
36	D28380003	1	Ring
37	D28480090	1	Bolt
38	D28211025	1	Bolt
39	D41087900	1	Locknut
40	D41010800	2	Nut Metric
41	D28480384	1	Bracket
42	D40407000	2	Screw
43	D28250441	1	Roller
44	D42513700	1	Circlip
45	D41622700	2	Bearing Ball
47	D28250444	1	Bolt
48	D28480457	1	Spacer
49	D28850316	1	Bolt
50	D41010800	2	Nut Metric
51	D41087900	1	Locknut
52	D28480458	1	Washer
53	D41636000	1	Bearing Ball
54	D42515400	1	Circlip
55	D42515100	1	Circlip
56	D41635900	1	Bearing Ball
57	D41990001	2	V Belt
58	D41933700	2	V Belt
59	D28480094	1	Pulley
60	D41979000	1	Belt
61	D40690400	6	Screw
62	D28480091	1	Bush
63	D28380018	1	Bracket
64	D28750882	1	Disc
65	D40416500	1	HEXAGON SCREW
66	D20400424	4	Washer
67	D28380104	1	Yoke
68	D40410800	4	HEXAGON SCREW
69	D28180737	1	Support



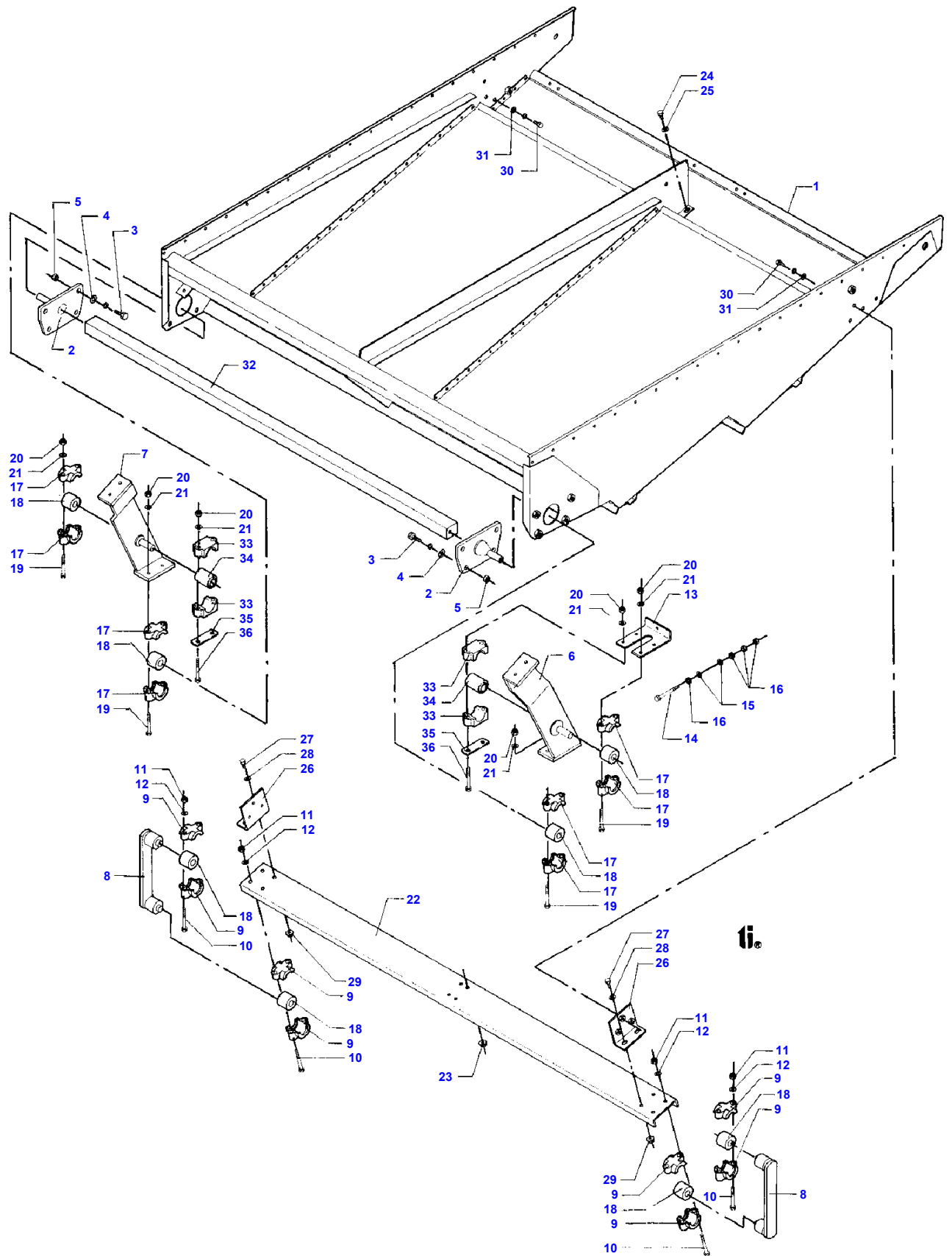
ECCENTRIC DRIVE 2

Item	Part Number	Qty	Description
1	D28480489	2	Conrod
2	D45417000	2	Seal
3	D28480265	2	Eccentric
4	D41616000	2	Bearing Ball
5	D42505800	2	Circlip
6	D45426100	2	Seal
7	D28480267	2	Ring
8	D42516900	2	Circlip
9	D43001500	2	Greaser
10	D28480258	2	Housing
11	D43001500	2	Greaser
12	D40407800	6	HEXAGON SCREW
13	D20400471	12	Washer
14	D41087600	6	Locknut
15	D28480266	1	Shaft
16	D45478900	2	Ring
17	D41629200	2	Bearing Ball
18	D45427500	2	Seal
19	D41679500	2	Spacer
20	D42515900	2	Circlip
21	D43105000	1	Key
22	D25400068	2	Washer
23	D28780419	1	Threaded Part
24	D28480460	1	Pulley
25	D43104600	2	Key
26	D28480268	4	Bush
27	D28480270	4	Bearing
28	D40408800	4	HEXAGON SCREW
29	D41087600	4	Locknut
30	D20400419	8	Washer
31	D28480088	1	Suspension
32	D28480089	1	Suspension
33	D28480129	2	Link
34	D40407700	4	Screw
35	D20400419	4	Washer
36	D28780514	1	Sensor
37	D41933700	2	V Belt
38	D28480264	1	Bush
39	D28480430	8	Chock
40	D28780516	1	Bolt
41	D41622600	1	Bearing Ball
42	D28780693	1	Retainer
43	D40404900	1	Screw Metric
44	D20400409	1	Washer
45	D41013500	1	Nut
46	D40407700	1	Screw
47	D28480467	1	Ring
48	D42596500	1	Bush
49	D28450420	2	Bush



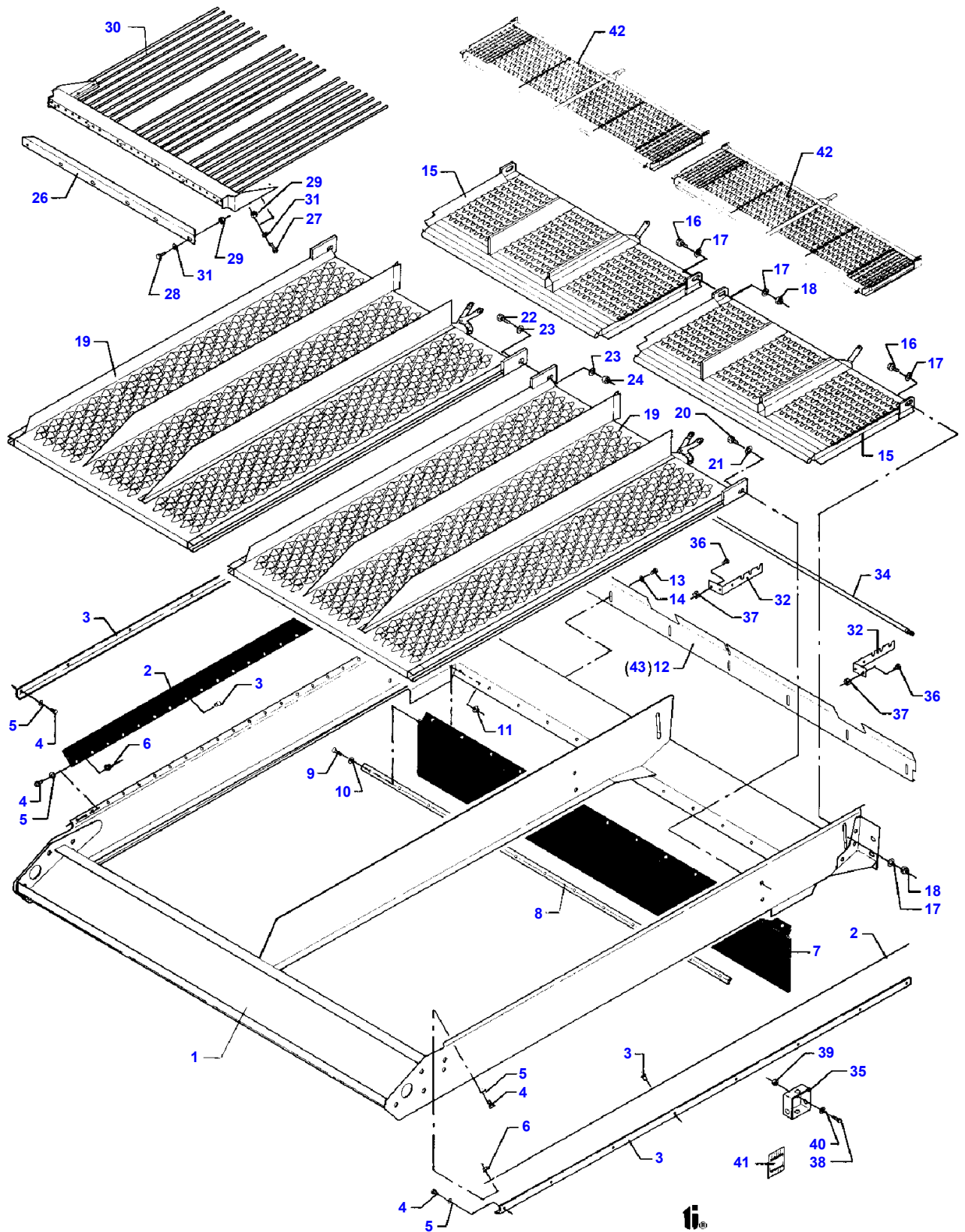
MASSEY FERGUSON**MF 38 COMBINE, -> 47597 - 1810921A****1810921A****6-7****LOWER SHAKER SHOE WITH SIEVES**

Item	Part Number	Qty	Description	Comments
	D28480554	1	Boot	(74) POS. 1-21
1	D28480128	1	Shaker	T.47962
	D28480537	1	Boot	F.47963
2	D28480118	2	Strip	T.47962
	D28480541	2	Gasket	F.47963
3	D28480117	2	Plate	F.47962
	D28480540	2	Plate	F.47963
4	D40402400		Screw Metric	
5	D20400470		Washer	
6	D41013400		Nut	T.47962
7	D28480097	2	Washer	
8	D40601600	2	Screw Metric	T.47962
	D40601800	2	Screw	F.47963
14	D28480126	1	Cover	
15	D28480120	2	Handle	
16	D27200158	2	Spring	
17	D20400426	2	Washer	
18	D41405900	2	SPLIT PIN	
19	D40402400	8	Screw Metric	
20	D20400470	8	Washer	
21	D41013400	8	Nut	
22	D28480099	2	Sieve	
	D28480309	2	Sieve	(3) Diameter 2, 5
22	D28480310	2	Sieve	(3) Diameter 5
23	D40410800	2	HEXAGON SCREW	
24	D20400426	2	Washer	
25	D40410900	1	Screw	
26	D20400426	2	Washer	
27	D41087700	1	Locknut	
28	D28480450	1	Plate	(3)
29	D28480496	2	Chock	
30	D40404900	2	Screw Metric	
31	D20400500	2	Spacer	
32	D41013500	2	Nut	
				(3) OPTIONAL EQUIPMENT (74) USED F.47963



MASSEY FERGUSON**MF 38 COMBINE, ->| 47597 - 1810921A****1810921A****LOWER SHAKER SHOE WITH SUSPENSION****6-8**

Item	Part Number	Qty	Description	Comments
1	D28480537	1	Boot	+F.47963
2	D28480081	2	Bracket	
3	D40410900	8	Screw	
4	D20400537	8	Spacer	
5	D41010900	8	Nut Metric	
6	D28480550	1	Rocker	+F.47598
7	D28480551	1	Rocker	Left Hand +F.47598 Right Hand
8	D28480069	2	Arm	
9	D28430010	8	Half Flange	
10	D40426500	8	Screw	
11	D41087600	8	Locknut	
12	D20400419	16	Washer	
13	D28480130	1	Plate	
14	D40408800	1	HEXAGON SCREW	
15	D20400471	2	Washer	
16	D41010800	4	Nut Metric	
17	D28430010	8	Half Flange	
18	D28450420	4	Bush	
19	D40408800		HEXAGON SCREW	
20	D41087600		Locknut	
21	D20400419		Washer	
22	D28480127	1	Profile	
23	D41013600	4	Nut	
24	D40407700	4	Screw	
25	D20400471	4	Washer	
26	D28480114	2	Angle	
27	D40407700	8	Screw	
28	D41013600	8	Nut	
29	D20400419	8	Washer	
30	D40407600	6	Screw	
31	D20400419	6	Washer	
32	D28480502	1	Stay	
33	D28480526	4	Fitting	+F.47598
34	D28480525	2	Bush	+F.47598
35	D28480571	2	Dog	
36	D40426800	3	Screw	



MASSEY FERGUSON

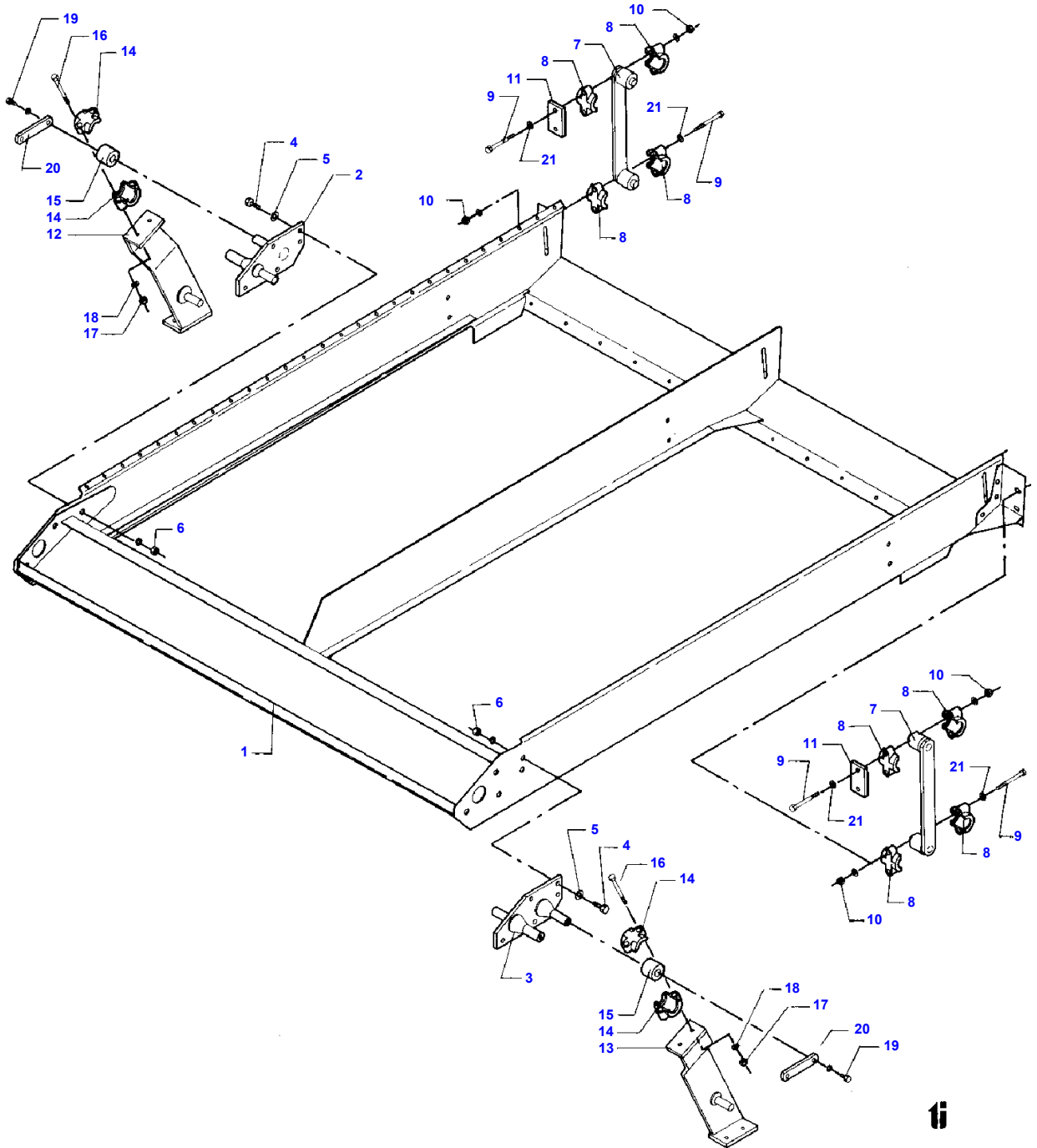
MF 38 COMBINE, ->| 47597 - 1810921A

1810921A

UPPER SHAKER SHOE WITH SIEVES

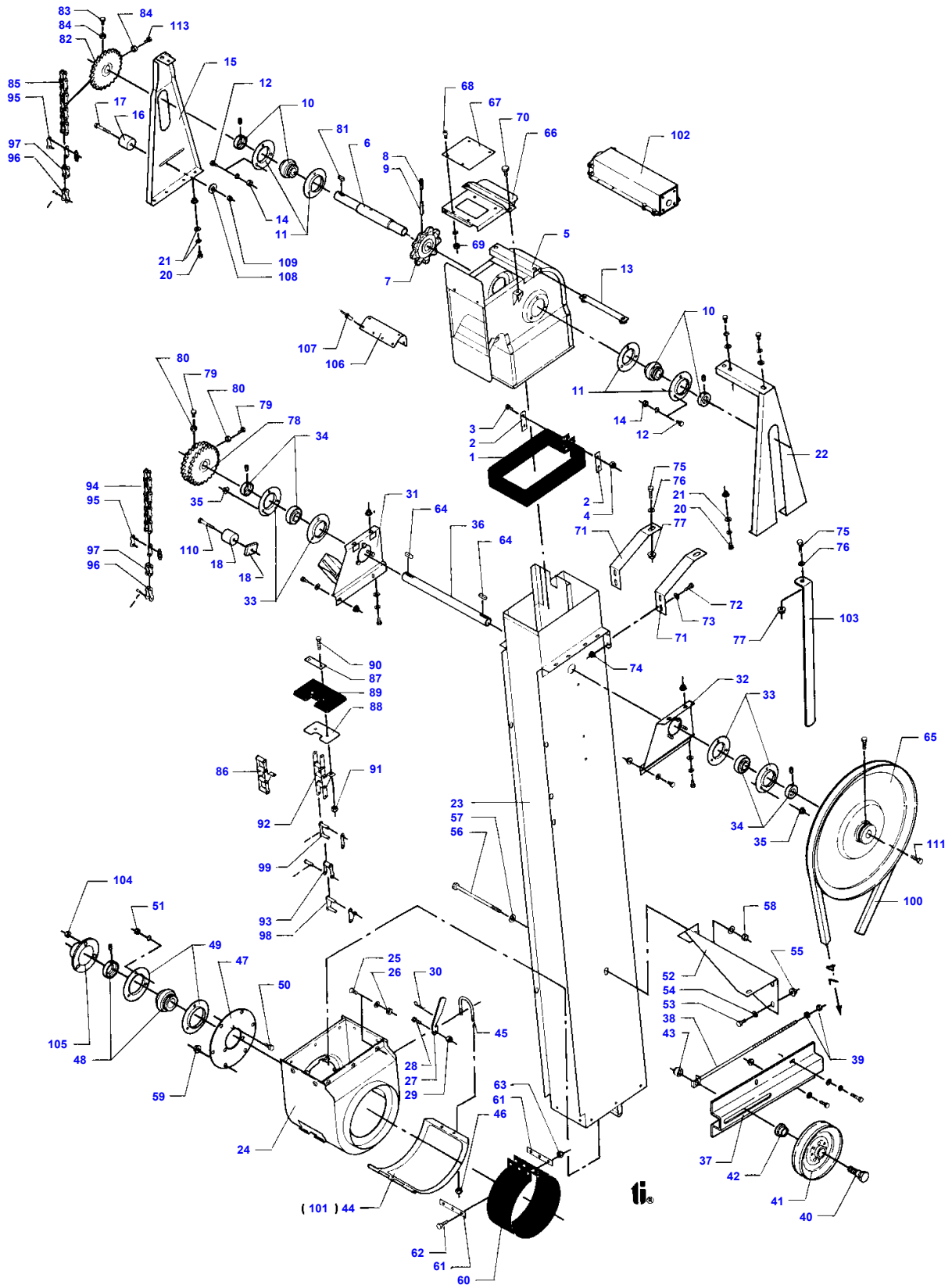
6-9

Item	Part Number	Qty	Description	Comments
	D28480555	1	Boot	(74) POS. 1-11
1	D28480542	1	Boot	+F.47963
2	D28480077	2	Strip	T047962
	D28480546	2	Gasket	+F.47963
3	D28480545	2	Rail	+F.47963
	D43427400	48	Fastener	T.47962
4	D40402300	16	HEXAGON SCREW	+F.47963
	D40402400	6	Screw Metric	T.47962
5	D20400404	6	Washer	T.47962
	D20400470	16	Washer	+F.47963
6	D41013400	6	Nut	T.47962
7	D28480060	1	Strip	T.47962
	D28480547	1	Gasket	+F.47963
8	D28480076	1	Rail	
9	D40405000	13	Screw Metric	
10	D20400409	13	Washer	
11	D41013500	13	Nut	
12	D28480096	1	Plate	
13	D40402600	7	Screw Metric	
14	D20400470	7	Washer	
15	D28480101	2	Extension	(3)
	D28480432	2	Grille	(3)
16	D40410800	3	HEXAGON SCREW	
17	D20400426	6	Washer	
18	D41087700	3	Locknut	
19	D28480100	2	Sieve	
	D28480431	2	Grille	(3)
	D28480451	2	Grille	
20	D40410800	2	HEXAGON SCREW	
21	D20400426	2	Washer	
22	D40410900	1	Screw	
23	D20400426	2	Washer	
24	D41087700	1	Locknut	
25	D28480441	2	Extension	(3)
26	D28480445	2	Profile	(3)
27	D40404700	12	Screw Metric	
28	D40405000	12	Screw Metric	
29	D41013500	24	Nut	
30	D28180351	46	Spring Wire	(3)
31	D20400409	24	Washer	
32	D28780774	1	Fitting	
33	D28780773	1	Fitting	
34	D45062700	1	Sensor	
35	D28780740	1	Box	
36	D40402400	4	Screw Metric	
37	D41010600	4	Nut	
38	D40317500	2	Screw Metric	
39	D41010500	2	Nut	
40	D20400401	2	Washer	
41	D45062200	1	Printed Circuit	
42	D28480480	2	Grille	(3)
43	D28480572	1	Cowl	(3)
				(3)
				OPTIONAL EQUIPMENT
				(74)
				USED F.47963



MASSEY FERGUSON**MF 38 COMBINE, ->| 47597 - 1810921A****1810921A****UPPER SHAKER SHOE WITH SUSPENSION****6-10**

Item	Part Number	Qty	Description	Comments
1	D28480079	1	Shaker	T.47962
	D28480542	1	Boot	F.47963
2	D28480088	1	Suspension	
3	D28480089	1	Suspension	
4	D40411000	10	HEXAGON SCREW	
5	D20400537	20	Spacer	
6	D41010900	10	Nut Metric	
7	D28480087	2	Arm	
8	D28430010	8	Half Flange	
9	D40408800	4	HEXAGON SCREW	
10	D41087600	8	Locknut	
11	D28480235	2	Shim	
12	D28480136	1	Rockerarm	T.47697 Right Hand
12	D28480551	1	Rocker	F.47598 Right Hand
13	D28480137	1	Rockerarm	T.47697 Left Hand
13	D28480550	1	Rocker	F.47598 Left Hand
14	D28430010	4	Half Flange	
15	D28450420	4	Bush	
16	D40408600	4	Setscrew	
17	D41087600	4	Locknut	
18	D20400471	4	Washer	
19	D40407600	4	Screw	
20	D28480129	2	Link	
21	D20400419	8	Washer	

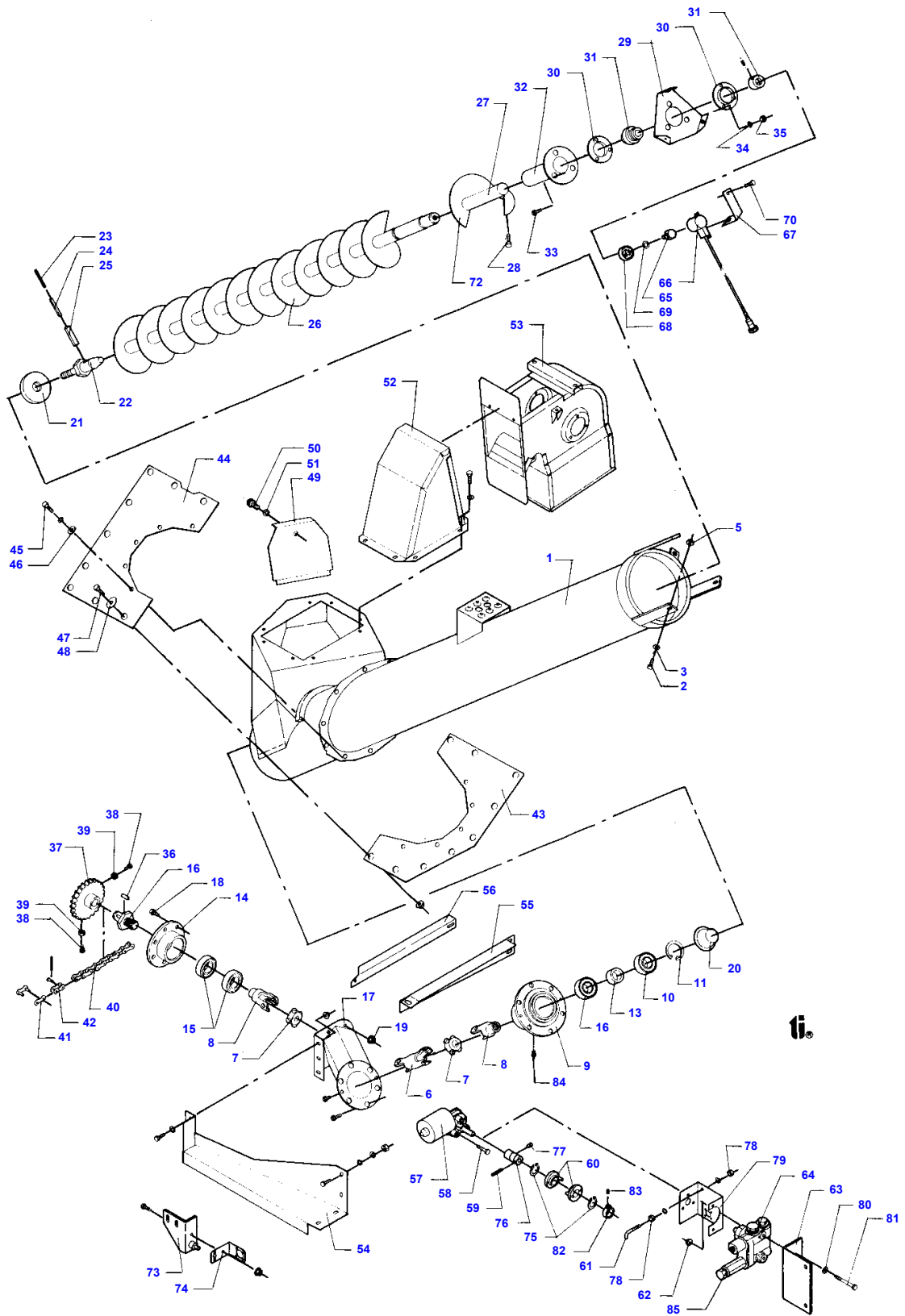


MASSEY FERGUSON**MF 38 COMBINE, ->| 47597 - 1810921A****1810921A****FILLING ELEVATOR****7-1**

Item	Part Number	Qty	Description	Comments
1	D28580176	1	Plate	
2	D28530204	2	Plate	
3	D40402400	2	Screw Metric	
4	D41087400	2	Locknut	
5	D28580115	1	Top	
6	D28580134	1	Shaft	
7	D28580202	1	Sprocket	Number of teeth/spines 9
8	D42610000	1	Pin	
9	D42616300	1	TIGHENING PIN	
10	D41708500	2	Bearing Ball	
11	D41708700	4	Flange	
12	D40404700	1	Screw Metric	
13	D28580094	1	Dog	
14	D41010700	6	Nut Metric	
15	D28580159	1	Holder	
16	D28550012	1	Support	
17	D40064300	1	Screw	
18	D28550012	1	Support	
19	D28580219	1	Dog	
20	D40405000	8	Screw Metric	
21	D20400506	8	Spacer	
22	D28580093	1	Holder	
23	D28580124	1	Housing	
24	D28580048	1	Bottom Part	
25	D40600500	12	Screw	
26	D41087400	12	Locknut	
27	D28560162	1	Handle	
28	D40402700	1	Screw Metric	
29	D41087400	1	Locknut	
30	D27100120	1	Hair Pin	
31	D28580164	1	Bracket	
32	D28580170	1	Bracket	Left Hand
33	D41708700	4	Flange	
34	D41713300	2	Bearing Ball	
35	D41010700	6	Nut Metric	
36	D28580160	1	Shaft	
37	D28580240	1	Bracket	
38	D28550210	1	Tightener	
39	D41010800	2	Nut Metric	
40	D28761939	1	Bolt	
41	D28760159	1	Pulley	
42	D28760163	1	Spacer	
43	D41087900	1	Locknut	
44	D28580052	1	Cover	
45	D28560165	1	U Bolt	
46	D41087400	2	Locknut	
47	D28580245	1	Plate	
48	D41708600	1	Bearing Ball	
49	D41708800	2	Flange	
50	D40407000	3	Screw	
51	D41010800	3	Nut Metric	
52	D28580018	1	Bracket	
53	D40407800	2	HEXAGON SCREW	
54	D20400415	3	Washer	
55	D41013600	3	Nut	
56	D40430300	1	Screw	
57	D20400425	1	Washer	
58	D41087700	1	Locknut	
59	D41013500	6	Nut	
60	D28480219	1	Plate	
61	D28550247	2	Band	
62	D40402400	3	Screw Metric	
63	D41087400	3	Locknut	
64	D43103400	2	Key	
65	D28580002	1	Pulley	
66	D28580089	1	Cover	
67	D28580171	1	Plate	
68	D40688000	4	Screw	
69	D41013400	4	Nut	
70	D43385200	2	Screw	

FILLING ELEVATOR

Item	Part Number	Qty	Description	Comments
71	D28580250	2	Bracket	
72	D40404900	4	Screw Metric	
73	D20400506	4	Spacer	
74	D41013500	4	Nut	
75	D40407700	3	Screw	
76	D20400419	3	Washer	
77	D41013600	2	Nut	
78	D28580167	1	Sprocket	
79	D40404700	1	Screw Metric	
80	D41010700	2	Nut Metric	
81	D43103200	1	Key	
82	D28540049	1	Sprocket	
83	D40404700	1	Screw Metric	
84	D41010700	2	Nut Metric	
85	D42328200	1	Chain	
86	D42350300	1	Chain	
	D28580135	1	Chain	POS. 86-91
87	D28550323	30	Plate	
88	D28550372	30	Plate	
89	D28580137	30	Plate	
90	D40405100	60	Screw Metric	
91	D41087500	60	Locknut	
92	D42351300	1	Chain	
93	D42351200	1	Link	
94	D42325600	1	Chain	
95	D42363100	1	Link	
96	D42362400	1	Inner Link	
97	D42363200	1	Link	
98	D42350400	1	Link	
99	D42351400	1	Link	
100	D41986100	1	V Belt	
101	D28580295	1	Cover	(R3)
102	D28780630	1	Cover	(3)
103	D28582012	1	Stay	
104	D41010800	3	Nut Metric	
105	D28761667	1	Cover	
106	D28580172	1	Cover	
107	D41399800	10	Rivet	
108	D20400414	1	Washer	
109	D41087500	1	Locknut	
110	D40602100	1	Screw Metric	
111	D40407700	1	Screw	
112	D40404500	1	Screw	
113	D40404900	1	Screw Metric	
				(R3)
				OPTIONAL EQUIPMENT FOR PEAS
				(3)
				OPTIONAL EQUIPMENT

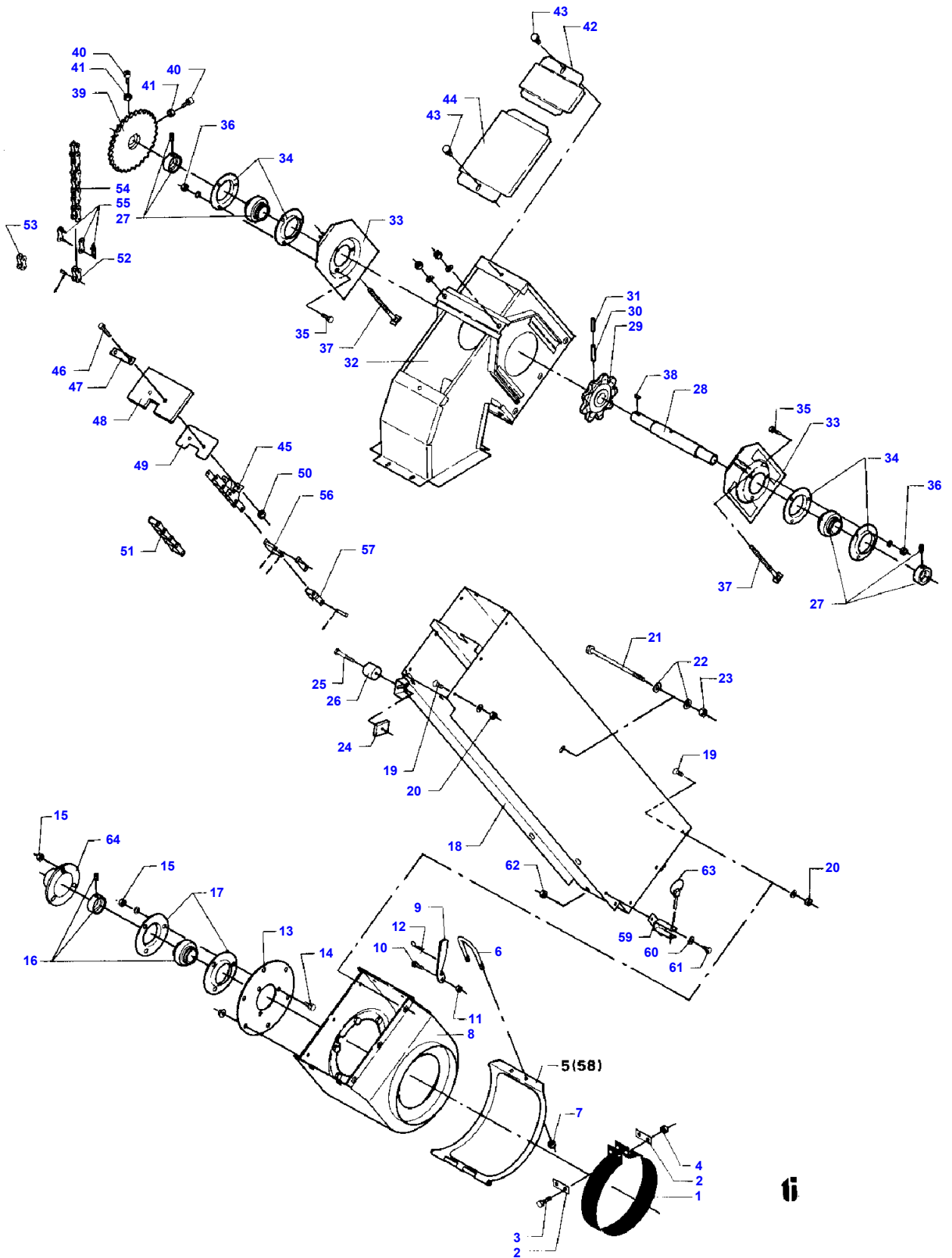


FILLER PIPE

Item	Part Number	Qty	Description	Comments
1	D28580310	1	Spout	
2	D40405100	3	Screw Metric	
3	D20400506	3	Spacer	
5	D41013500	3	Nut	
6	D45626500	1	Fork	
7	D45623000	2	Bearing	
8	D28580057	2	Fork	
9	D28580257	1	Bearing Housing	
10	D41621100	1	Bearing Ball	
11	D42515100	1	Circlip	
12	D41623000	1	Bearing Ball	
13	D27700245	1	Spacer	
14	D28580027	1	Bearing Housing	
15	D41623000	2	Bearing Ball	
16	D28580060	1	Pin	
17	D28580029	1	Spacer	
18	D40405000	6	Screw Metric	
19	D41013500	6	Nut	
20	D28580300	1	Cone	
21	D28580255	1	Washer	
22	D28580251	1	Pin	
23	D42610400	1	TIGHENING PIN	
24	D42616700	1	TIGHENING PIN	
25	D42625600	1	Pin	
26	D28580053	1	Auger	
27	D28850988	1	Worm	
28	D40404900	1	Screw Metric	
29	D28580301	1	Flange	
30	D41708700	2	Flange	
31	D41708500	1	Bearing	
32	D28850886	1	Guard	
33	D40405100	2	Screw Metric	
	D40405300	1	Screw	
34	D20400506	6	Spacer	
35	D41010700	3	Nut Metric	
36	D43103200	1	Key	
37	D28540049	1	Sprocket	
38	D40685000	2	Screw Metric	
39	D41010700	2	Nut Metric	
40	D42325600	1	Chain	
41	D42363100	1	Link	
42	D42362400	1	Inner Link	
43	D28580279	1	Plate	
44	D28580278	1	Plate	
45	D40404900	10	Screw Metric	
46	D20400409	10	Washer	
47	D40405100	16	Screw Metric	
48	D20400414	16	Washer	
49	D28580258	1	Cover	
50	D43385200	1	Screw	
51	D20400409	1	Washer	
52	D28580309	1	Spout	
53	D28580115	1	Top	
54	D28580272	1	Bracket	
55	D28580285	1	Reinforcement	
56	D28580293	1	Stay	
57	D45060038	1	Wiper Motor	
58	D40421800	1	HEXAGON SCREW	
59	D42609200	1	TIGHENING PIN	
60	D28780802	2	Washer	
61	D28780801	1	Stop	
62	D41013500	1	Nut	
63	D28980999	1	Support	
64	D45110048	1	Distributor	
65	D28780516	1	Bolt	
66	D28780514	1	Sensor	
67	D28780522	1	Support	
68	D41622600	1	Bearing	
69	D20400419	1	Washer	
70	D41010700	1	Nut Metric	

MASSEY FERGUSON**MF 38 COMBINE, ->| 47597 - 1810921A****1810921A****FILLER PIPE****7-2**

Item	Part Number	Qty	Description	Comments
72	D28850990	1	Flight	
73	D28180737	1	Support	
75	D42501800	2	Circlip	
76	D28981003	1	Union	
77	D40630800	1	Pin	T.48238
77	D43170300	1	Key	F.48239
78	D41010500	2	Nut	
79	D28981001	1	Support	
80	D20400409	2	Washer	
81	D40424300	2	Bolt	
82	D28981086	1	Ring	
83	D40631000	1	Pin	T.48238
83	D40632000	1	Pin	F.48239
84	D43002500	1	Greaser	
85	D28251484	1	Non Return Valve	



MASSEY FERGUSON

MF 38 COMBINE, ->| 47597 - 1810921A

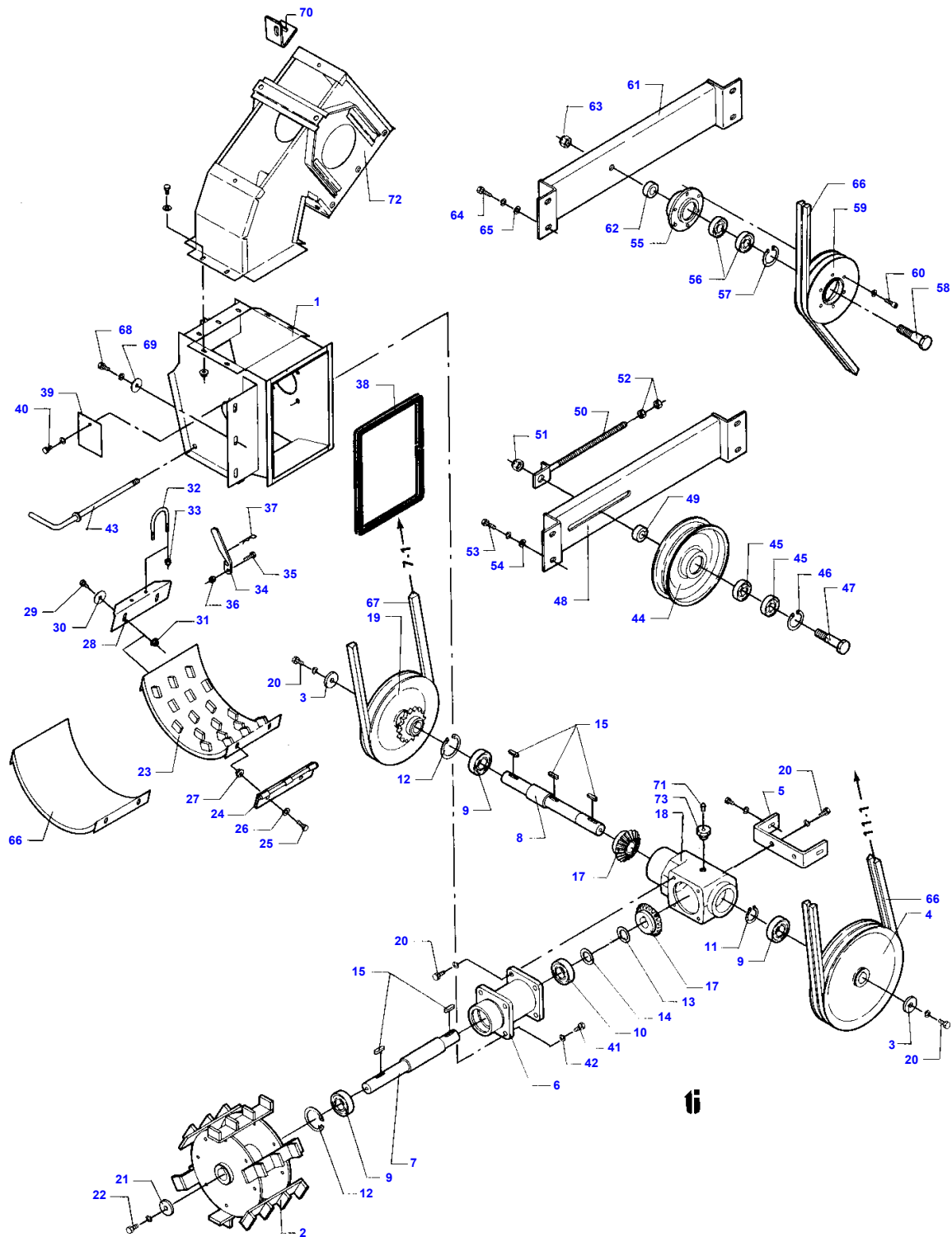
1810921A

7-3

RETURN ELEVATOR

Item	Part Number	Qty	Description	Comments
1	D28480218	1	Plate	
2	D28480217	2	Strip	
3	D40402400	2	Screw Metric	
4	D41087400	2	Locknut	
5	D28580052	1	Cover	
6	D28560165	1	U Bolt	
7	D41087400	2	Locknut	
8	D28580048	1	Bottom Part	
9	D28560162	1	Handle	
10	D40402600	1	Screw Metric	
11	D41087400	1	Locknut	
12	D27100120	1	Hair Pin	
13	D28580245	1	Plate	
14	D40407000	3	Screw	
15	D41010800	3	Nut Metric	
16	D41708600	1	Bearing Ball	
17	D41708800	2	Flange	
18	D28580226	1	Housing	
19	D40600500	20	Screw	
20	D41010600	20	Nut	
21	D40430300	1	Screw	
22	D20400426	2	Washer	
23	D41087700	1	Locknut	
24	D28580219	1	Dog	
25	D40602100	1	Screw Metric	
26	D28550012	1	Support	
27	D41708500	2	Bearing	
28	D28580227	1	Shaft	
29	D28580202	1	Sprocket	Number of teeth/spines 9
30	D42616300	1	TIGHENING PIN	
31	D42610000	1	Pin	
32	D28580229	1	Top	
33	D28580221	2	Plate	
34	D41708700	4	Flange	
35	D40404900	6	Screw Metric	
36	D41010700	6	Nut Metric	
37	D28520060	2	Bolt	
38	D43103100	1	Key	
39	D28580228	1	Sprocket	
40	D40690500	2	Screw Metric	
41	D41010700	2	Nut Metric	
42	D28580097	1	Shutter	
43	D43385200	2	Screw	
44	D28580222	1	Shutter	
45	D42350300	1	Chain	
	D28580225	1	Chain	POS. 46-50
46	D40405100	40	Screw Metric	
47	D28550323	20	Plate	
48	D28580137	20	Plate	
49	D28550372	20	Plate	
50	D41087500	40	Locknut	
51	D42351300	1	Chain	
52	D42363200	1	Link	
53	D42362400	1	Inner Link	
54	D42329000	1	Chain	POS. 54-55
55	D42363100	1	Link	
56	D42351400	1	Link	
57	D42351200	1	Link	
58	D28580295	1	Cover	(R3)
59	D28580282	1	Retainer	
60	D20400470	2	Washer	
61	D40402400	2	Screw Metric	
62	D41013400	2	Nut	
63	D41447300	1	Split Ring	
64	D28761667	1	Cover	(R3)

OPTIONAL EQUIPMENT FOR PEAS

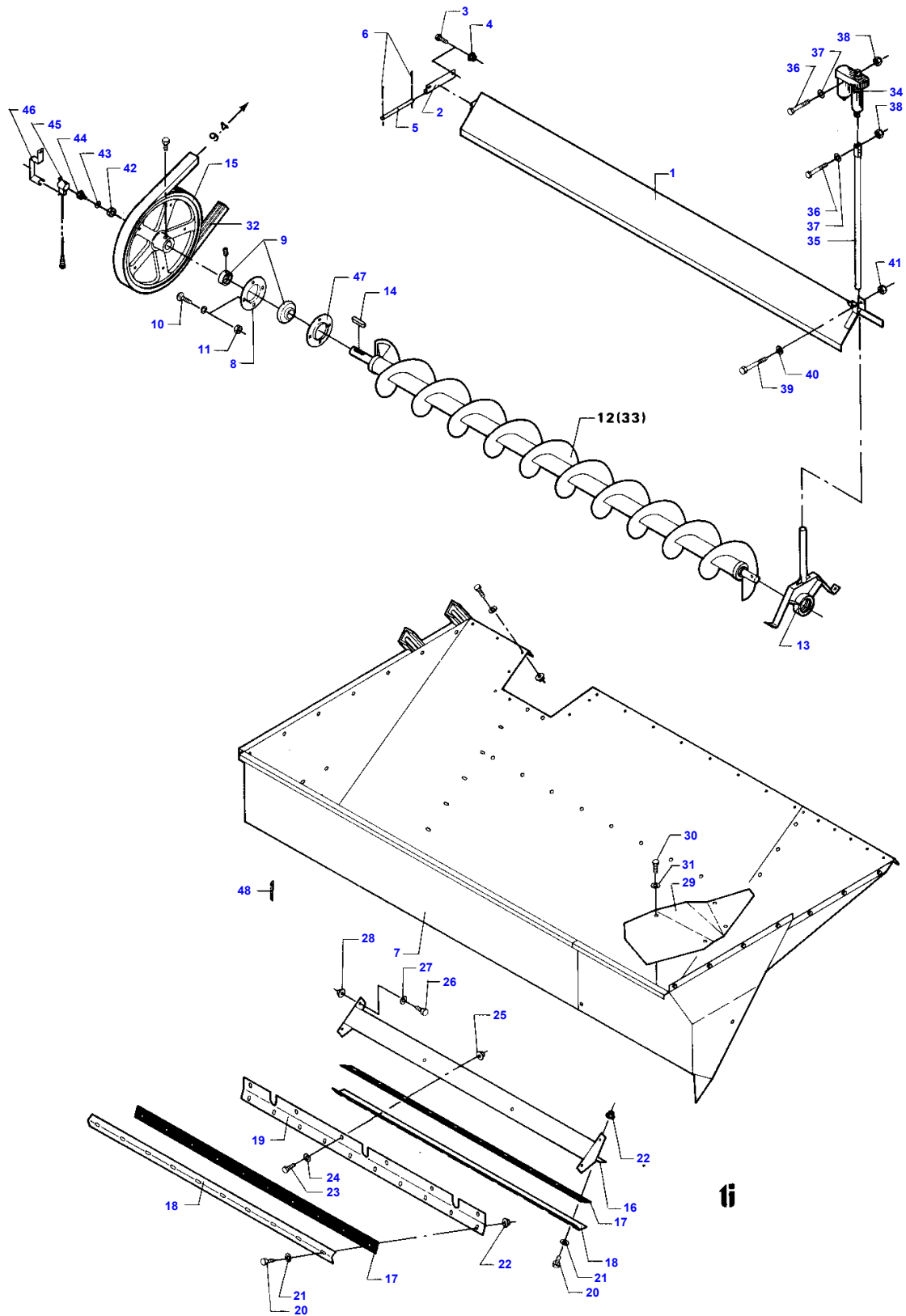


MASSEY FERGUSON**MF 38 COMBINE, ->| 47597 - 1810921A****1810921A****7-4****RETURNS THRESHER**

Item	Part Number	Qty	Description	Comments
1	D28580315	1	Box	+F.47674
2	D28580243	1	Cylinder	
	D28580214	1	Angle Drive	POS. 3-20
3	D20400420	2	Washer	
4	D28580001	1	Pulley	
5	D28580211	1	Support	
6	D28580207	1	Bearing Housing	
7	D28580209	1	Shaft	
8	D28580210	1	Drive Shaft	
9	D41621000	3	Bearing Ball	
10	D41618300	1	Bearing Ball	
11	D42502800	1	Circlip	
12	D42514500	2	Circlip	
13	D42598800	1	Washer	
14	D42598900	1	Washer	
15	D43103400	5	Key	
17	D28580010	2	Gear	
18	D28580216	1	Gear Case Assy.	
19	D28580217	1	Pulley	
20	D40407700	8	Screw	
21	D20400420	1	Washer	
22	D40407700	1	Screw	
23	D28580230	1	Cover	
	D28580232	1	Cover	
24	D28580189	1	Hinge	
25	D40405000	2	Screw Metric	
26	D20400506	2	Spacer	
27	D41013500	2	Nut	
28	D28580248	1	Plate	
29	D40404900	2	Screw Metric	
30	D20400410	2	Washer	
31	D41013500	2	Nut	
32	D28560165	1	U Bolt	
33	D41087400	2	Locknut	
34	D28560162	1	Handle	
35	D40402700	1	Screw Metric	
36	D41087400	1	Locknut	
37	D27100120	1	Hair Pin	
38	D44706600		Seal Section	1,200 M
39	D28580182	1	Cover	
40	D40404700	1	Screw Metric	
41	D40407800	4	HEXAGON SCREW	
42	D20400419	4	Washer	
43	D28580247	1	Rod	
44	D28250441	1	Roller	
45	D41622700	2	Bearing Ball	
46	D42513700	1	Circlip	
47	D28580205	1	Bolt	
48	D28580018	1	Bracket	
49	D28250445	1	Spacer	
50	D28580206	1	Tightener	
51	D41087900	1	Locknut	
52	D41010800	2	Nut Metric	
53	D40477200	4	Screw	
54	D20400415	4	Washer	
55	D28480357	1	Hub	
56	D41622700	2	Bearing Ball	
57	D42513700	1	Circlip	
58	D28250444	1	Bolt	
59	D28480094	1	Pulley	
60	D40690400	6	Screw	
61	D28580020	1	Bracket	
62	D28250445	1	Spacer	
63	D41087900	1	Locknut	
64	D40477200	4	Screw	
65	D20400415	4	Washer	
66	D41937500	2	V Belt	
67	D41986100	1	V Belt	
68	D40407600	3	Screw	
69	D20400414	3	Washer	

MASSEY FERGUSON**MF 38 COMBINE, ->| 47597 - 1810921A****1810921A****RETURNS THRESHER****7-4**

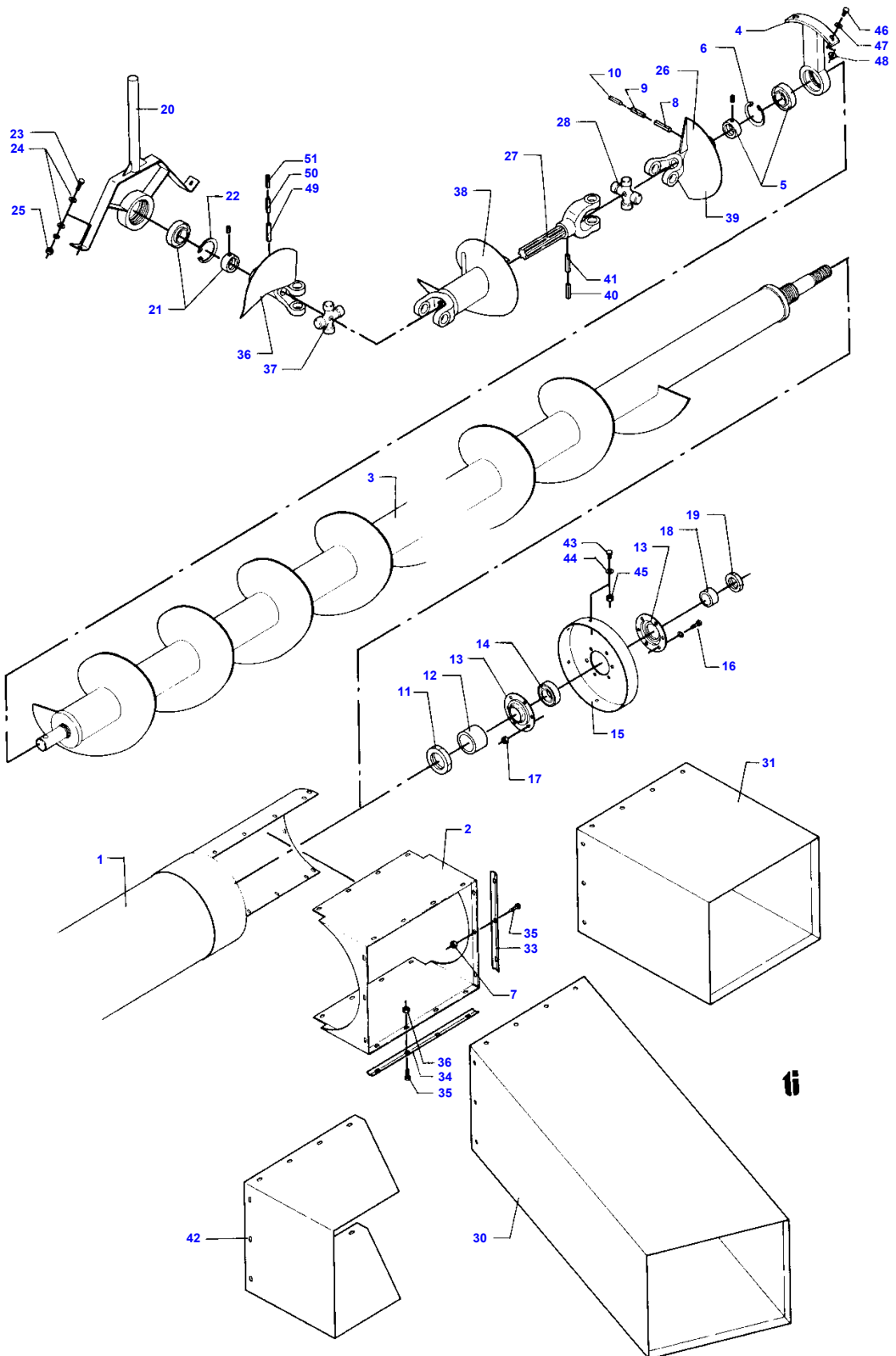
Item	Part Number	Qty	Description	Comments
70	D28580286	1	Angle	
71	D46116500	1	Valve	
72	D28580229	1	Top	
73	D28580296	1	Plug	



DISCHARGE AUGER, FIXED PART

Item	Part Number	Qty	Description	Comments
1	D28880241	1	Plate	
2	D28850049	1	Hinge	
3	D40404900	2	Screw Metric	
4	D20400506	2	Spacer	
5	D28850051	1	Hinge Rod	
6	D44358000	2	Hair Pin	
7	D28880220	1	Bottom	
8	D41711100	2	Flange	
9	D41705500	1	Bearing Ball	
10	D40070200	4	Screw Metric	
11	D41010900	4	Nut Metric	
12	D28880237	1	Auger	
13	D28880230	1	Bracket	
14	D43106700	1	Key	
15	D28761879	1	Pulley	
16	D28380193	1	Deflector	
17	D28380132	2	Scraper	
18	D28380133	2	Rail	
19	D28380131	1	Deflector	
20	D40405100	20	Screw Metric	
21	D20400506	20	Spacer	
22	D41013500	20	Nut	
23	D40407700	6	Screw	
24	D20400416	6	Washer	
25	D41013500	6	Nut	
26	D40407800	4	HEXAGON SCREW	
27	D20400419	4	Washer	
28	D41013600	4	Nut	
29	D28880234	1	Plate	
30	D40402400	4	Screw Metric	
31	D20400470	4	Washer	
32	D41978800	1	Belt	
33	D28880379	1	Auger	(3)
34	D28780722	1	Actuator	
35	D28880121	1	Rod	
36	D40428800	2	HEXAGON SCREW	
37	D20400426	7	Washer	
38	D41087700	2	Locknut	
39	D20400471	1	Washer	
40	D20400471	3	Washer	
41	D41087600	1	Locknut	
42	D41622600	1	Bearing	
43	D20400419	1	Washer	
44	D28780516	1	Bolt	
45	D28780514	1	Sensor	
46	D28780724	1	Retainer	
47	D41712200	1	Flange	
48	D41408900	1	Pin	

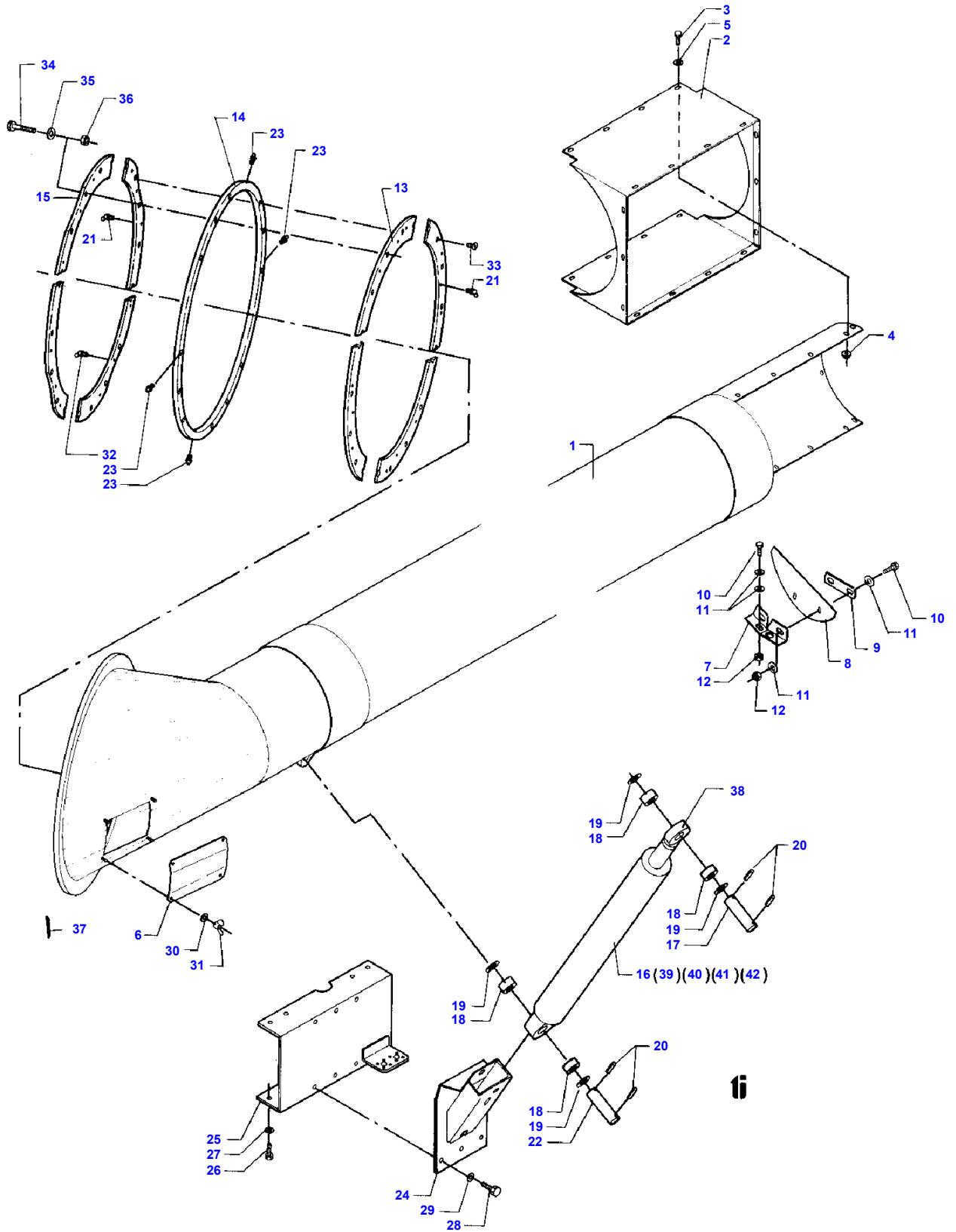
(3)
OPTIONAL EQUIPMENT



MASSEY FERGUSON**MF 38 COMBINE, -> 47597 - 1810921A****1810921A****DISCHARGE AUGER, SWIVEL PART****9-2**

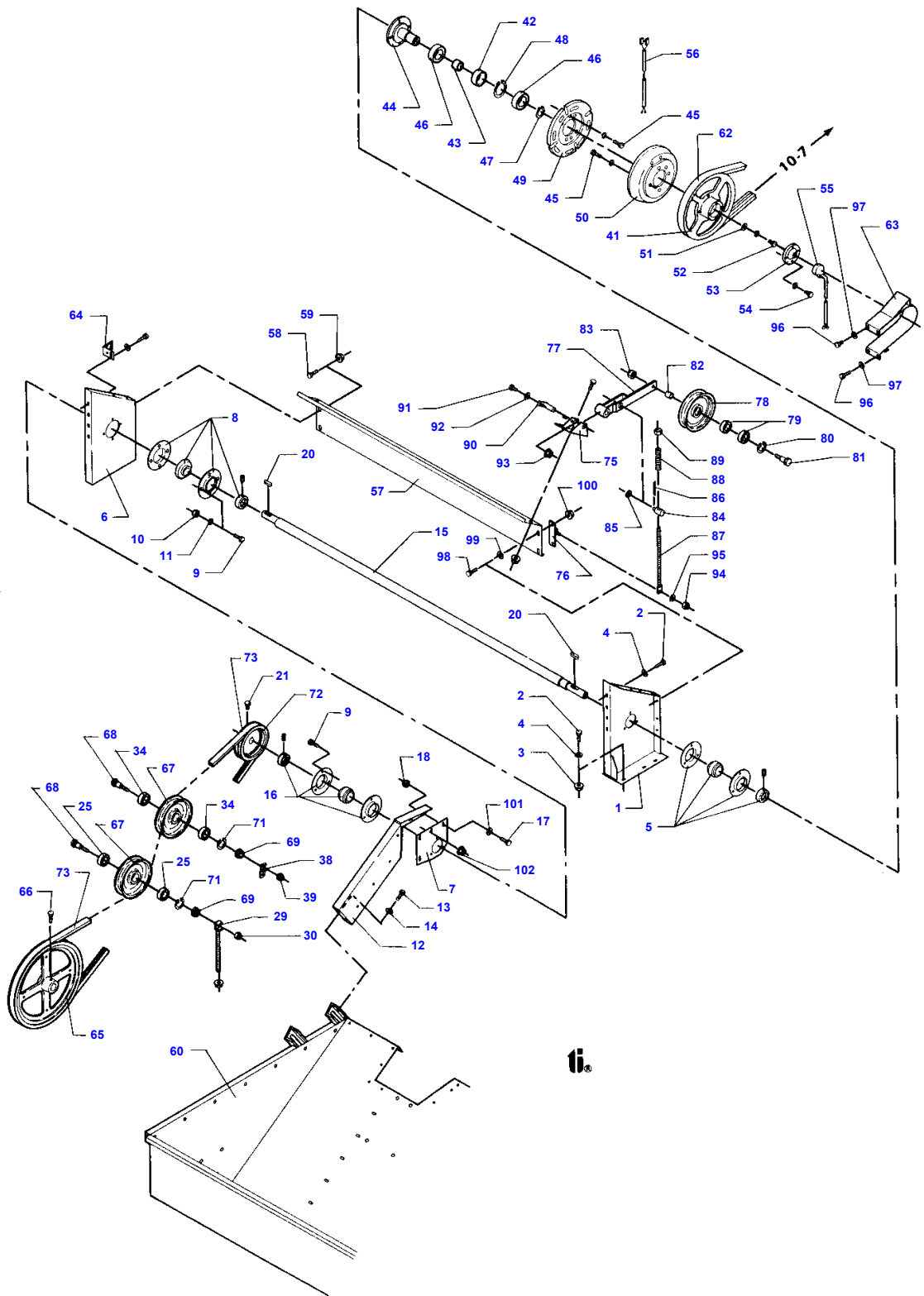
Item	Part Number	Qty	Description	Comments
1	D28880042	1	Pipe	
2	D28880034	1	Funnel	
3	D28880021	1	Auger	
4	D28880045	1	Bracket	
5	D41663400	1	Bearing Ball	
6	D42515000	1	Circlip	
7	D41013500	14	Nut	
8	D42625400	1	Pin	
9	D42616500	1	Pin	
10	D42610200	1	TIGHENING PIN	
11	D41034400	1	Nut	
12	D28830693	1	Spacer	
13	D28200239	2	Bearing Carrier	
14	D41623000	1	Bearing Ball	
15	D28880046	1	Plate	
16	D40404900	6	Screw Metric	
17	D41010700	6	Nut Metric	
18	D28800328	2	Spacer	
19	D41034100	1	Nut	
20	D28880230	1	Bracket	
21	D41663400	1	Bearing Ball	
22	D42515000	1	Circlip	
23	D40407800	2	HEXAGON SCREW	
24	D20400416	4	Washer	
25	D41010800	2	Nut Metric	
	D28880053	1	Yoke	POS. 26-28
26	D28880051	1	Yoke	
27	D28880052	1	Fork	
28	D45622700	1	Crosspiece	
30	D28880032	1	Canvas	(J)
31	D28880323	1	Canvas	
33	D28880030	2	Rail	
34	D28880031	2	Rail	
35	D40404900	14	Screw Metric	
	D28880083	1	Auger	POS. 36-38
36	D28850839	1	Yoke	
37	D45622700	1	Crosspiece	
38	D28880073	1	Auger	
39	D28850834	1	Flight	
40	D42612600	1	TIGHENING PIN	
41	D42618900	1	TIGHENING PIN	
42	D28882044	1	Auger	(3)
43	D40404900	4	Screw Metric	
44	D20400506	4	Spacer	
45	D41010700	4	Nut Metric	
46	D40405100	2	Screw Metric	
47	D20400506	2	Spacer	
48	D41013500	2	Nut	
49	D42625600	1	Pin	
50	D42616700	1	TIGHENING PIN	
51	D42610400	1	TIGHENING PIN	

(3)
OPTIONAL EQUIPMENT



MASSEY FERGUSON**MF 38 COMBINE, ->| 47597 - 1810921A****1810921A****DISCHARGE AUGER PIPE****9-3**

Item	Part Number	Qty	Description	Comments
1	D28880042	1	Pipe	
2	D28880034	1	Funnel	
3	D40404900	8	Screw Metric	
4	D41013500	8	Nut	
5	D20400506	8	Spacer	
6	D28880366	1	Gate	
7	D28851025	1	Retainer	
8	D28880024	1	Stop	
9	D28851026	1	Plate	
10	D40405000	2	Screw Metric	
11	D20400409	4	Washer	
12	D41087500	2	Locknut	
13	D28880174	1	Flange	
	D28880398	4	Flange	+F.47694
14	D28880397	1	Flange	
15	D28880037	1	Flange	
	D28880399	4	Flange	+F.47694
16	D45100065	1	Ram	
17	D28850877	1	Pin	
18	D28850878	4	Spacer	
19	D20400530	4	Spacer	
20	D41411100	4	SPLIT PIN	
21	D43001500	7	Greaser	
22	D28750214	1	Cotter	
23	D43001700	4	Greaser	
24	D28880283	1	Bracket	
25	D28880400	1	Bracket	+F.47304
26	D40407900	4	Screw Metric	
27	D20400419	4	Washer	
28	D40410900	6	Screw	
29	D20400419	6	Washer	
30	D20400409	4	Washer	
31	D41057300	4	Wing Nut	
32	D43001600	1	Greaser	
33	D40600800	8	Screw Metric	
34	D40411400	12	Screw Metric	
	D40428600	3	HEXAGON SCREW	
35	D20400426	30	Washer	
36	D41010900	15	Nut Metric	
37	D41408900	1	Pin	
38	D45698500	1	Ball Joint	PACOMA
39	D41043000	1	Nut Metric	PACOMA
40	D45252600	2	Union	PACOMA
41	D45100023	1	Piston Rod	PACOMA
42	D45100079	1	Kit, Seal	PACOMA
	D45110029	1	Kit, Joint	PPT

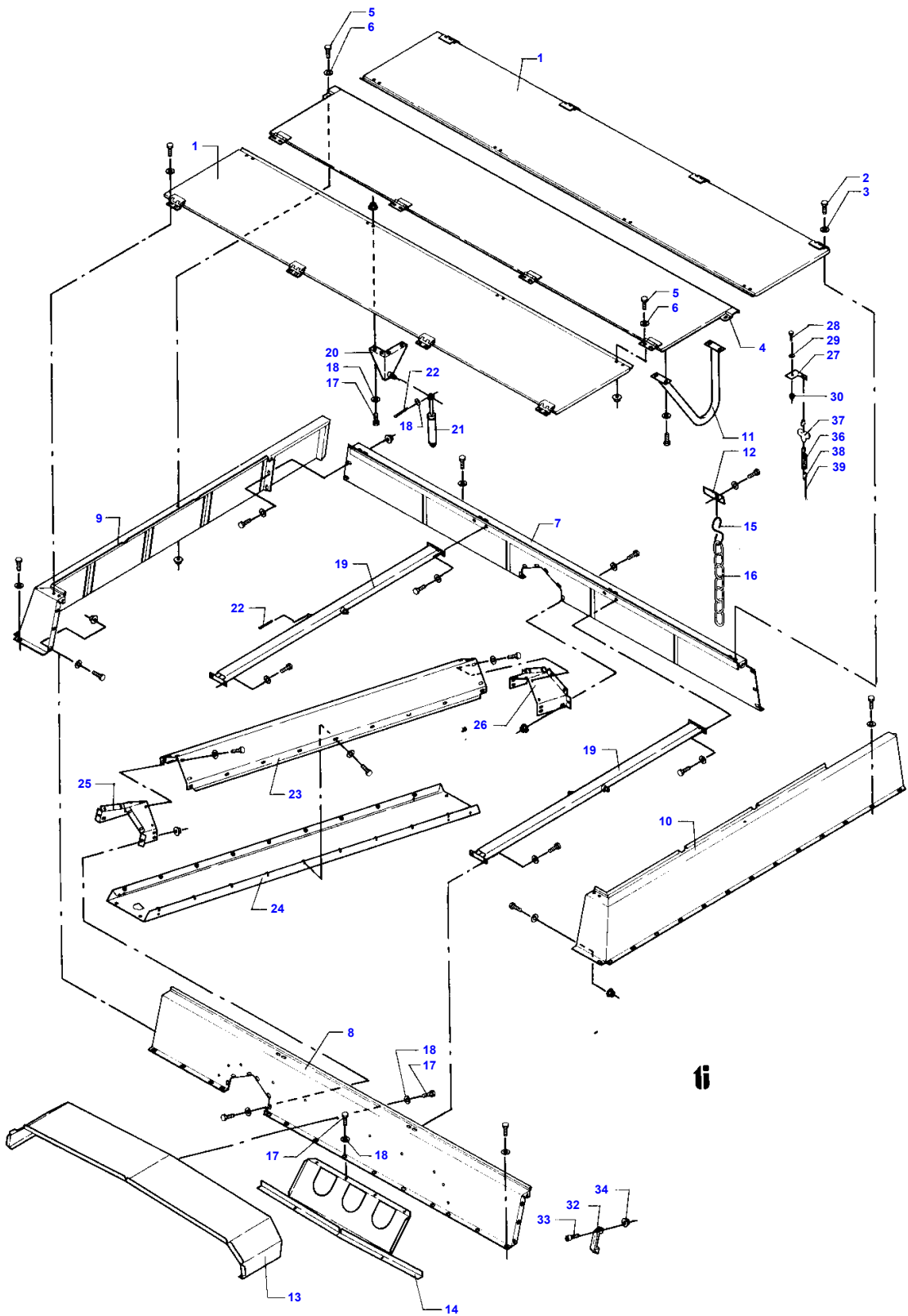


MASSEY FERGUSON**MF 38 COMBINE, ->| 47597 - 1810921A****1810921A****TRANSMISSION, UNLOADING AUGER****9-4**

Item	Part Number	Qty	Description	Comments
1	D28880187	1	Bracket	
2	D40407800	7	HEXAGON SCREW	
3	D41013600	3	Nut	
4	D20400471	7	Washer	
5	D41707800	1	Flange	
6	D28880184	1	Bracket	
7	D28880284	1	Plate	
8	D41716500	1	Bearing	
9	D40410900	8	Screw	
10	D41010900	8	Nut Metric	
11	D20400426	8	Washer	
12	D28880194	1	Bracket	
13	D40407600	2	Screw	
14	D20400416	2	Washer	
15	D28880185	1	Shaft	
16	D41707800	1	Flange	
17	D40407700	4	Screw	
18	D41013600	4	Nut	
20	D43104700	2	Key	
21	D40404900	1	Screw Metric	
25	D41622700	2	Bearing Ball	
29	D28850316	1	Bolt	
30	D41087900	1	Locknut	
34	D41622700	2	Bearing Ball	
38	D28251476	1	Retainer	
39	D41087900	1	Locknut	
	D28780019	1	Clutch	P. 41-50
41	D28780013	1	Pulley	
42	D28780015	1	Bush	
43	D28780016	1	Bush	
44	D28780018	1	Hub	
45	D40410800	8	HEXAGON SCREW	
46	D41617800	2	Bearing Ball	
47	D42504300	1	Circlip	
48	D42515400	1	Circlip	
49	D45060300	1	Plate	
50	D45060200	1	Magnet	
51	D28780638	1	Washer	
52	D40410900	1	Screw	
53	D28780017	1	Cover	
54	D40402600	4	Screw Metric	
55	D28780404	1	Retainer	
56	D28851037	1	Wire	
57	D28880186	1	Plate	
58	D40407600	8	Screw	
59	D41013600	8	Nut	
60	D28880220	1	Bottom	
62	D41979100	1	Belt	
63	D28780723	1	Guard	
64	D28780381	1	Retainer	
65	D28761879	1	Pulley	
66	D40407700	1	Screw	
67	D28250441	2	Roller	
68	D28250444	2	Bolt	
69	D28480457	2	Spacer	
70	D41013600	1	Nut	
71	D42513700	2	Circlip	
72	D28880368	1	Pulley	
73	D41978800	1	Belt	
75	D28880359	1	Support	
76	D28880361	1	Clamp	
77	D28880355	1	Pulley	
78	D28250441	1	Roller	
79	D41622700	2	Bearing Ball	
80	D42513700	1	Circlip	
81	D28250444	1	Bolt	
82	D28880354	1	Spacer	
83	D41087900	1	Locknut	
84	D28780030	1	Pivot	
85	D20400429	1	Washer	

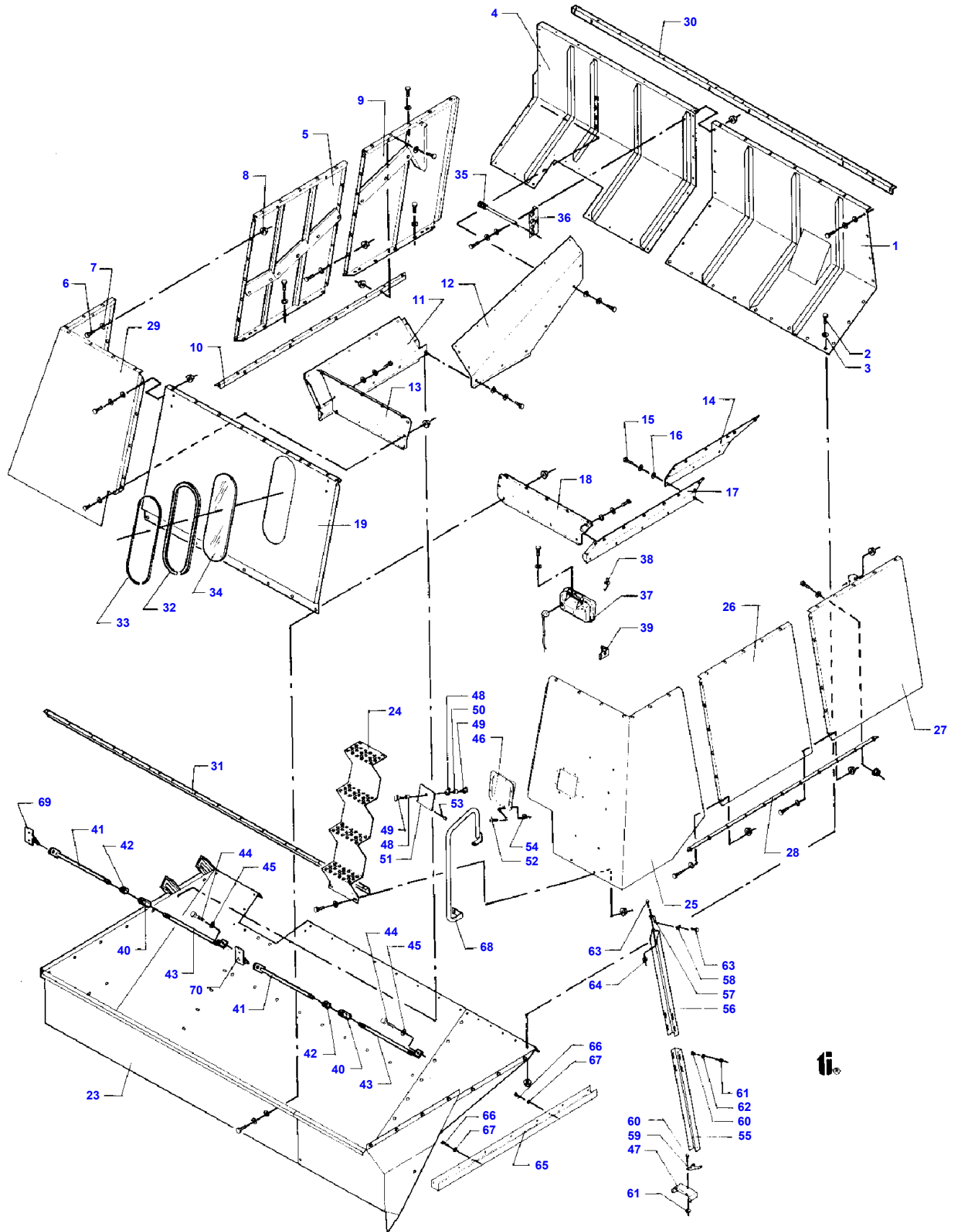
MASSEY FERGUSON**MF 38 COMBINE, ->| 47597 - 1810921A****1810921A****TRANSMISSION, UNLOADING AUGER****9-4**

Item	Part Number	Qty	Description	Comments
86	D41405900	1	SPLIT PIN	
87	D28380011	1	Tie Rod	
88	D28210881	1	Comp.Spring	
89	D41011100	1	HEXAGON SCREW	
90	D28880360	1	Pin	
91	D40402400	1	Screw Metric	
92	D20400404	1	Washer	
93	D41013400	1	Nut	
94	D41087600	1	Locknut	
95	D20400471	1	Washer	
96	D40405000	4	Screw Metric	
97	D20400409	4	Washer	
98	D40407800	10	HEXAGON SCREW	
99	D20400416	10	Washer	
100	D41013600	10	Nut	
101	D20400416	4	Washer	
102	D41010800	7	Nut Metric	
103	D20400458	1	Washer	
104	D20400459	1	Washer	



MASSEY FERGUSON**MF 38 COMBINE, -> 47597 - 1810921A****1810921A****GUARD, GRAIN TANK TOP****9-5**

Item	Part Number	Qty	Description	Comments
1	D28180883	2	Cover	
2	D40404900	16	Screw Metric	
3	D20400409	16	Washer	
4	D28180882	1	Cover	
5	D40402600	8	Screw Metric	
6	D20400470	8	Washer	
7	D28180856	1	Plate	
8	D28181119	1	Plate	
9	D28181121	1	SIDE PLATE	
10	D28181120	1	SIDE PLATE	
11	D28880321	1	Bracket	
12	D28880311	1	Support	
13	D28980931	1	Guard	
14	D28981007	1	Stay	
15	D42386000	1	Hook	
16	D28180405	1	Chain	
17	D40405000		Screw Metric	
18	D20400506		Spacer	
19	D28180857	2	Reinforcement	
20	D28180943	4	Support	
21	D45061800	4	Cylinder	
22	D41404400	8	SPLIT PIN	
23	D28880288	1	Cover	
24	D28880289	1	Connecting Link	
25	D28880286	1	Plate	
26	D28880285	1	Plate	
27	D28181191	1	Retainer	
28	D40402300	1	HEXAGON SCREW	
29	D20400453	2	Washer	
30	D41087400	1	Locknut	
32	D43386900	1	Handle	
33	D40690300	2	Screw Metric	
34	D41013500	2	Nut	
	D28181192	1	Handle	POS. 36-39
36	D28710049	1	Spring	
37	D43384800	1	Handle	
38	D43407800	1	Lock	
39	D44714000		String	0,650M



MASSEY FERGUSON

MF 38 COMBINE, ->| 47597 - 1810921A

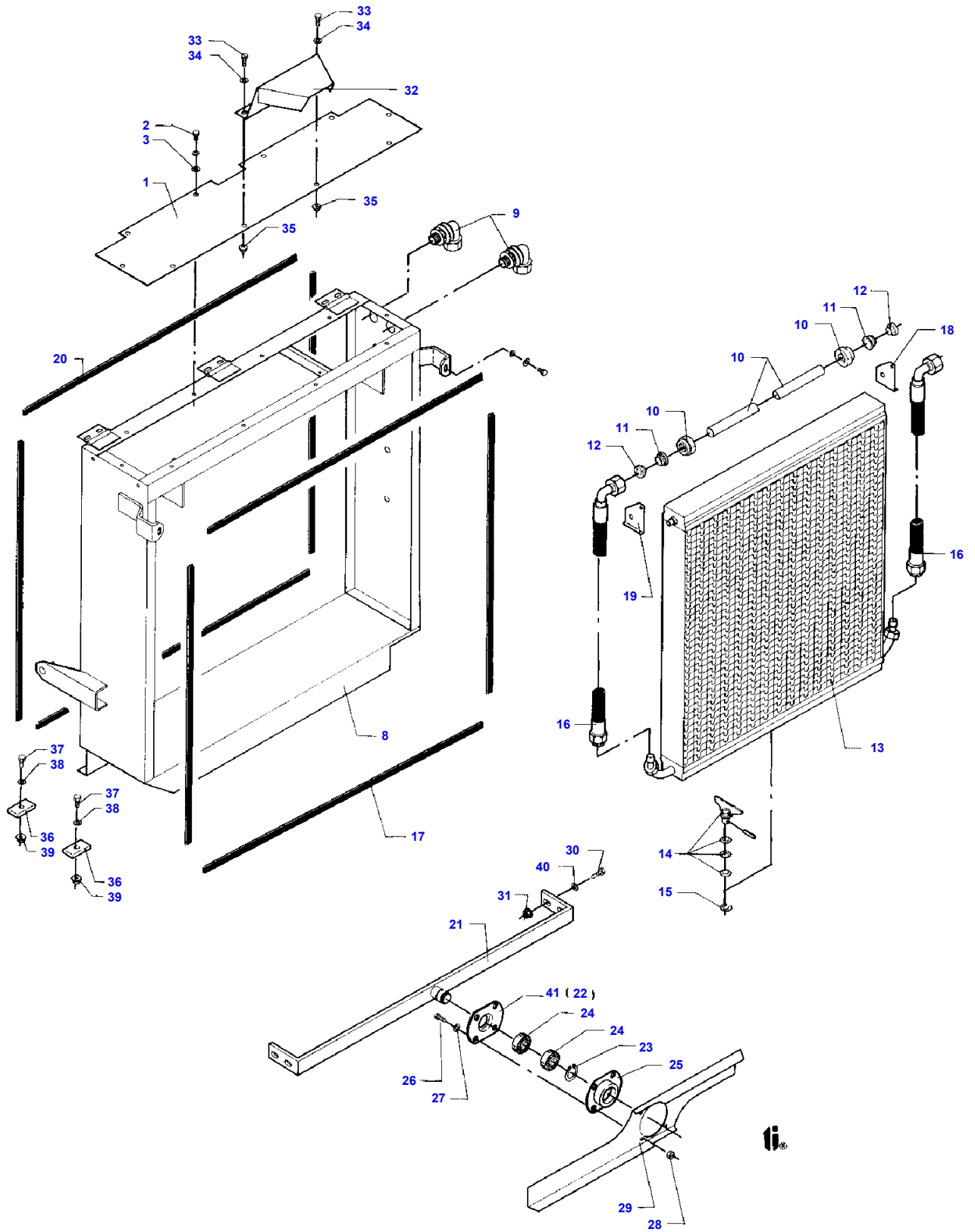
1810921A

GUARD - GRAIN TANK

9-6

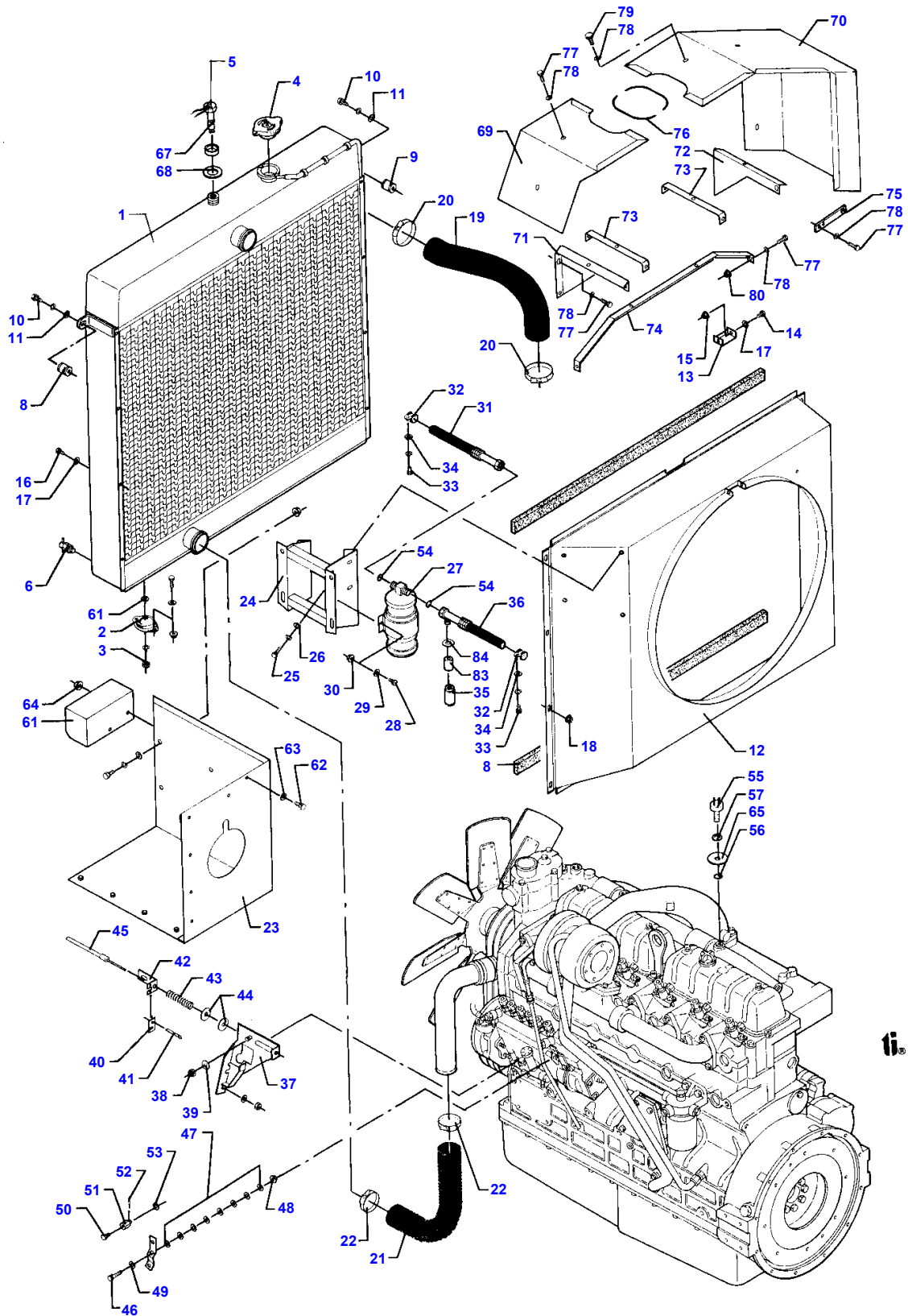
Item	Part Number	Qty	Description	Comments
1	D28880276	1	Plate	
2	D40404900		Screw Metric	(5)
3	D20400414		Washer	(5)
4	D28880275	1	Plate	
5	D28180654	1	Cowl	
6	D40404900		Screw Metric	(5)
7	D20400409		Washer	(5)
8	D41013500		Nut	(5)
9	D28180696	1	Cowl	
10	D28880158	1	Rail	
11	D28180774	1	Seal	
12	D28180775	1	Seal	
13	D28180776	1	Seal	
14	D28180740	1	Seal	
15	D40404900		Screw Metric	(5)
16	D20400414		Washer	(5)
17	D28180741	1	Seal	
18	D28180742	1	Seal	
19	D28180780	1	Guard	
23	D28880220	1	Bottom	
24	D28180879	1	Ladder	
25	D28180724	1	Cowl	
26	D28180639	1	Cowl	
27	D28180660	1	Cowl	
28	D28880158	1	Rail	
29	D28180708	1	Guard	
30	D28880270	1	Reinforcement	
31	D28180782	1	Profile	
32	D44708000		Seal Section	1,500M
33	D44708400		Gasket	1,500M
34	D28181029	1	Glass Pane	
35	D28780531	1	Warn Indicator	
36	D28780748	1	Retainer	
37	D45084700	1	Work Light	
38	D45080200	1	Bulb	
39	D28780972	1	Retainer	
40	D28350090	2	Nut	T.47962
	D28884116	2	Nut	F.47963
41	D28880305	2	Reinforcement	
42	D41011100	2	HEXAGON SCREW	
43	D28880302	2	Reinforcement	
44	D40408000	2	HEXAGON SCREW	
45	D20400416	2	Washer	
46	D28181052	1	Frame Assy	
47	D28181054	1	Support	
48	D43429200	1	Housing	
49	D43429300	1	Punch	
50	D43429400	1	Latch	
51	D28181056	1	Trap	
52	D40688200	8	Screw Metric	
53	D40741100	2	Screw	
54	D41013400	8	Nut	
55	D28880374	1	Channel	
56	D28880373	1	Channel	
57	D28880369	1	Support	
58	D28880370	1	Support	
59	D28880372	1	Support	
60	D40402400	2	Screw Metric	
61	D41013400	2	Nut	
62	D20400405	8	Washer	
63	D40404900	2	Screw Metric	
64	D41013500	2	Nut	
65	D28880377	1	Profile	
66	D40404900	2	Screw Metric	
67	D20400409	2	Washer	
68	D28181027	1	Clamp	
69	D28880309	1	Tensioner	
70	D28880293	1	Tensioner	

(5)
OPTIONAL



MASSEY FERGUSON**MF 38 COMBINE, ->| 47597 - 1810921A****1810921A****SUCTION CHANNEL AND HYDRAULIC COOLER****10-1**

Item	Part Number	Qty	Description	Comments
1	D28780067	1	Cover	
2	D40404700	10	Screw Metric	
3	D20400409	10	Washer	
8	D28780551	1	Channel	
9	D45269900	2	Connector	
10	D28780533	1	Pipe	POS. 10-12
	D45211300	2	Nut	
11	D45211400	2	Ring	
12	D45707800	2	Plug	
13	D28780544	1	Radiator	
14	D43428500	1	Pin	
15	D43428600	1	Lock Washer	
16	D45130023	2	Hydr Hose	
17	D44706600		Seal Section	3,750 M
18	D28780788	1	Support	
19	D28780789	1	Support	
20	D44706600		Seal Section	3,750 M
21	D28780912	1	Bracket	F.46994
22	D28770434	1	Bowl	T.48238
23	D42502300	1	Circlip	F.46994
24	D41622800	1	Bearing Ball	F.46994
25	D28770432	1	Bearing Housing	+F.47344
26	D40404900	4	Screw Metric	
27	D20400506	4	Spacer	
28	D41010700	4	Nut Metric	
29	D28780913	1	Rotor	F.46994
30	D40407800	4	HEXAGON SCREW	
31	D41013600	4	Nut	
32	D28782062	1	Fence	F.46718
33	D40404700	2	Screw Metric	
34	D20400506	2	Spacer	
35	D41013500	2	Nut	
36	D28784149	4	Support	
37	D40407900	4	Screw Metric	
38	D20400471	4	Washer	
39	D41013600	4	Nut	
40	D20400471	4	Washer	
41	D28770432	1	Bearing Housing	F.48239



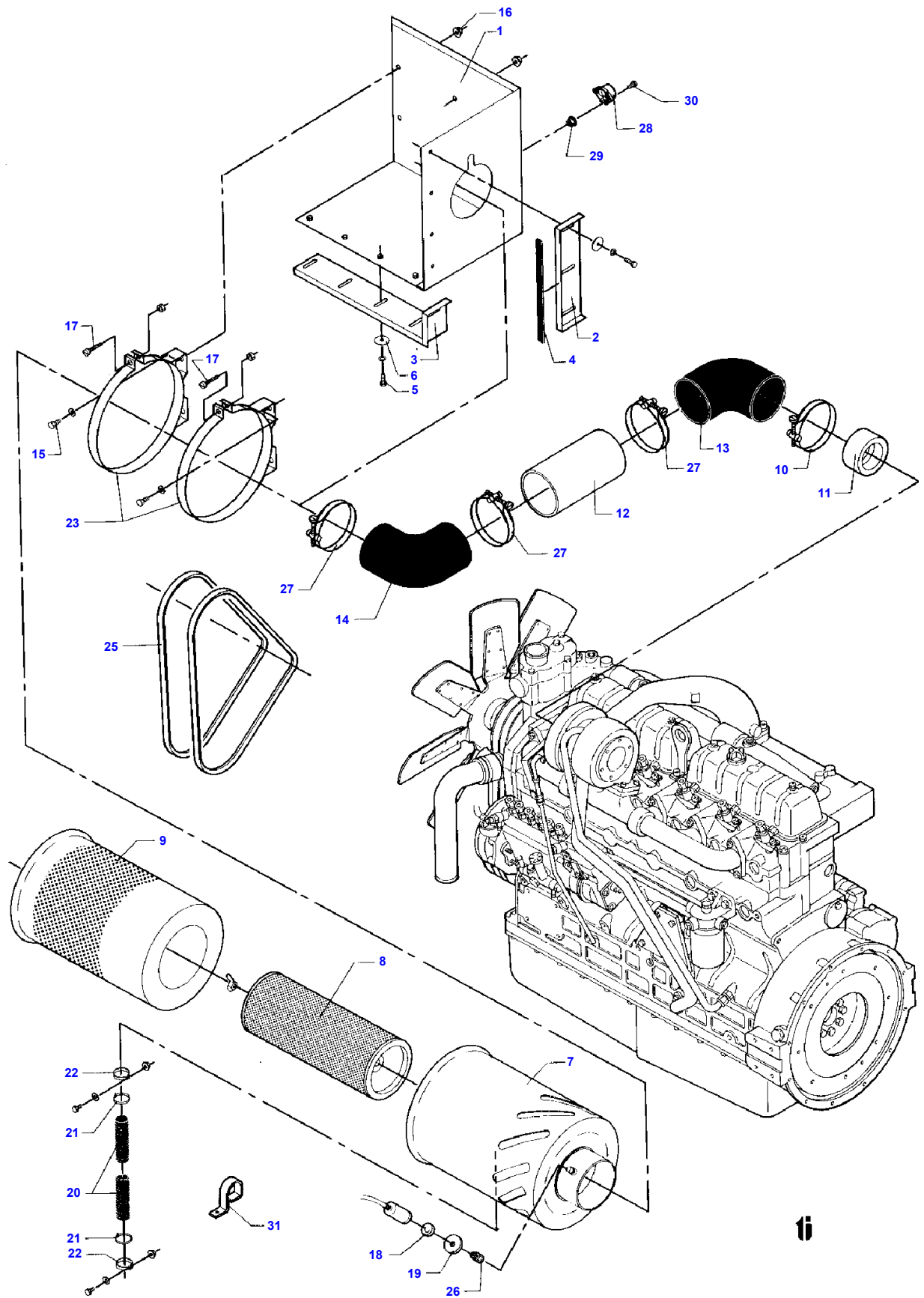
fi

MASSEY FERGUSON**MF 38 COMBINE, ->| 47597 - 1810921A****1810921A****10-2****RADIATOR HOSES AND CABLES**

Item	Part Number	Qty	Description	Comments
1	D28780455	1	Radiator	
2	D28700549	4	Damper	
3	D41010800	4	Nut Metric	
4	D46409400	1	Cap	
5	D45073900	1	Switch,Indirect	
6	D46419500	1	Bleeder	
8	D44705100		Gasket	2 M
9	D28700666	2	Damper	
10	D40407400	4	HEXAGON SCREW	
11	D20400416	4	Washer	
12	D28780053	1	Guard	
13	D28780884	1	Inner Link	
14	D40402400	2	Screw Metric	
15	D41013400	2	Nut	
16	D40402400	8	Screw Metric	
17	D20400404	10	Washer	
18	D41013400	8	Nut	
19	D28780499	1	Hose	
20	D45728500	2	Clamp	
21	D46414600	1	Hose	
22	D45728500	2	Clamp	
23	D28780509	1	Guard	
24	D28780503	1	Bracket	
25	D40404900	4	Screw Metric	
26	D20400506	4	Spacer	
27	D45070017	1	Filter	
28	D40401000	4	Screw	
29	D20400401	8	Washer	
30	D41087300	4	Locknut	
31	D45070031	1	Hose	
32	D45729800	2	Clamp	
33	D40402400	2	Screw Metric	
34	D20400404	2	Washer	
35	D45070023	1	Switch	
36	D45070021	1	Hose	
37	D28751586	1	Support	
38	D41087500	1	Locknut	
39	D20400500	1	Spacer	
40	D28730779	1	Locking Plate	
41	D41405700	1	SPLIT PIN	
42	D28751582	1	Retainer	
43	D27200158	1	Spring	
44	D20400471	2	Washer	
45	D46439300	1	Cable	
46	D40421800	1	HEXAGON SCREW	
47	D20400453	9	Washer	
48	D41013400	1	Nut	
49	D28751730	1	Lever	
50	D40402200	1	Screw Metric	
51	D28751580	1	Stud	
52	D41402700	1	Pin	
53	D20400470	1	Washer	
54	D45090500	2	O Ring	
55	D45029900	1	Indicator	
56	D45201800	1	Ring	
57	D45201600	2	Packing	
61	D28782063	1	Fence	
62	D40404700	2	Screw Metric	
63	D20400506	2	Spacer	
64	D41013500	2	Nut	
65	D28780947	1	Washer	
67	D44732400	1	Bush	
68	D20400534	1	Washer	
69	D28780916	1	Guard	
70	D28780915	1	Cowl	
71	D28780917	1	Support	
72	528780918	1	Bracket	
73	D28780920	1	Stay	
74	D28780919	1	Crossmember	
75	D28780921	1	Mounting	

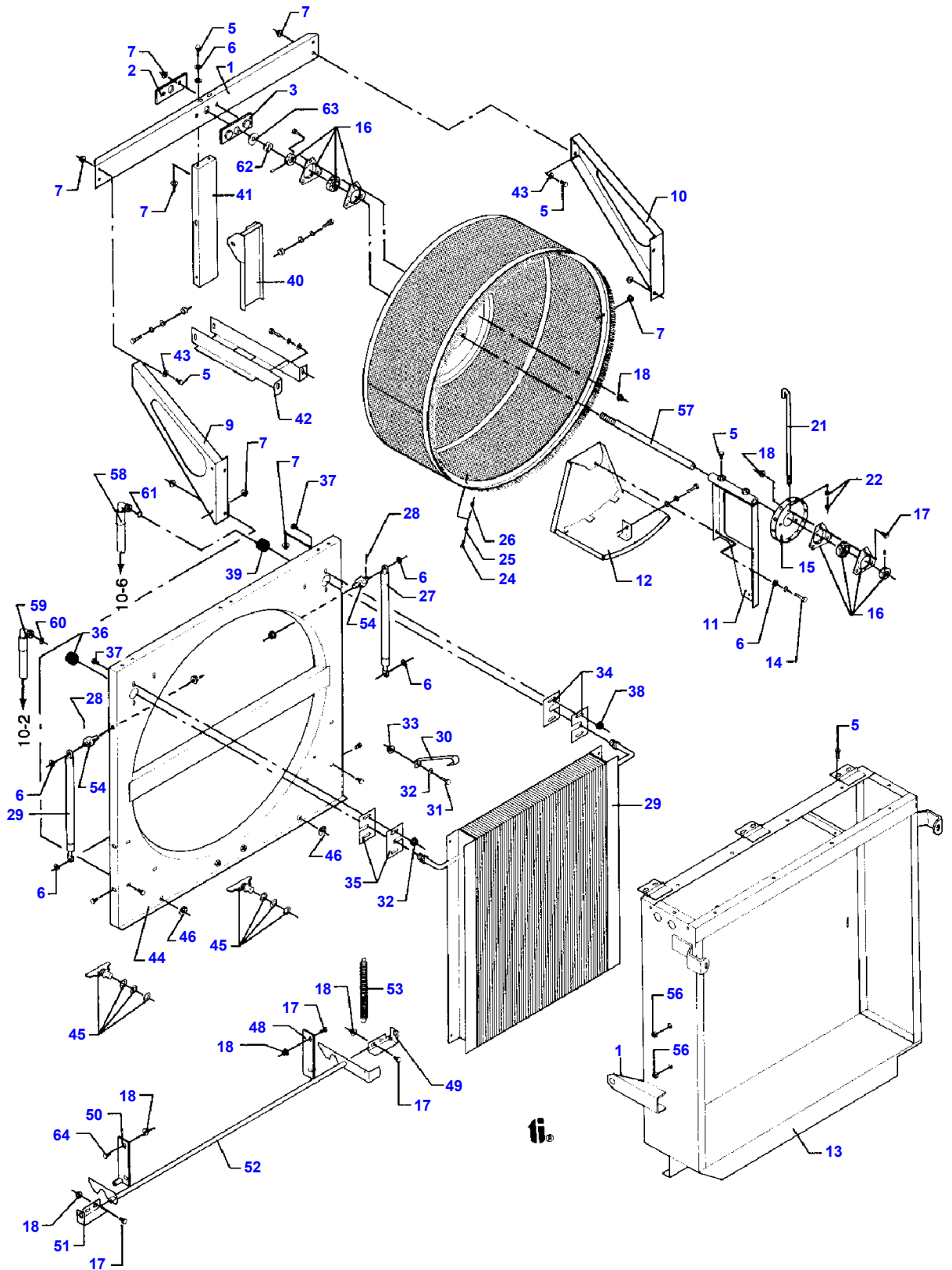
MASSEY FERGUSON**MF 38 COMBINE, ->| 47597 - 1810921A****1810921A****RADIATOR HOSES AND CABLES****10-2**

Item	Part Number	Qty	Description	Comments
76	D44735900		Seal Section	0,440M
77	D40404900		Screw Metric	(5)
78	D20400506		Spacer	(5)
79	D43385200	3	Screw	
80	D41013500		Nut	(5)
81	D20400425	4	Washer	
83	D28781015	1	Spacer	
84	D20400464	1	Washer	
				(5)
				OPTIONAL



MASSEY FERGUSON**MF 38 COMBINE, ->| 47597 - 1810921A****1810921A****10-3****AIR CLEANER**

Item	Part Number	Qty	Description	Comments
1	D28780509	1	Guard	
2	D28780510	1	Rail	
3	D28780513	1	Rail	
4	D44706600		Seal Section	1,00 M
5	D40404900	8	Screw Metric	
6	D20400506	8	Spacer	
7	D46442200	1	Cleaner	POS.7-9
8	D46428600	1	Air Fitr.Element	
9	D46442300	1	Air Fitr.Element	
10	D45733800	1	Clamp	
11	D28780557	1	Bush	
12	D28780504	1	Pipe	
13	D46444900	1	Hose	
14	D46421300	1	Elbow	
15	D40407600	4	Screw	
16	D41013600	4	Nut	
17	D40405400	2	Screw Metric	
18	D46442400	1	Indicator	
19	D20400417	1	Washer	
20	D46448500	1	Hose	
21	D45728300	3	Strap	
22	D45727500	2	Clamp	
23	D46421200	2	Band	
25	D41991200	2	Belt	
26	D28780730	1	Holder	
27	D45733700	3	Clip	
28	D45026300	1	Socket	
29	D41010400	2	Nut	
30	D40351800	2	Screw Metric	
31	D28780804	1	Clamp	F.46220



MASSEY FERGUSON

MF 38 COMBINE, ->| 47597 - 1810921A

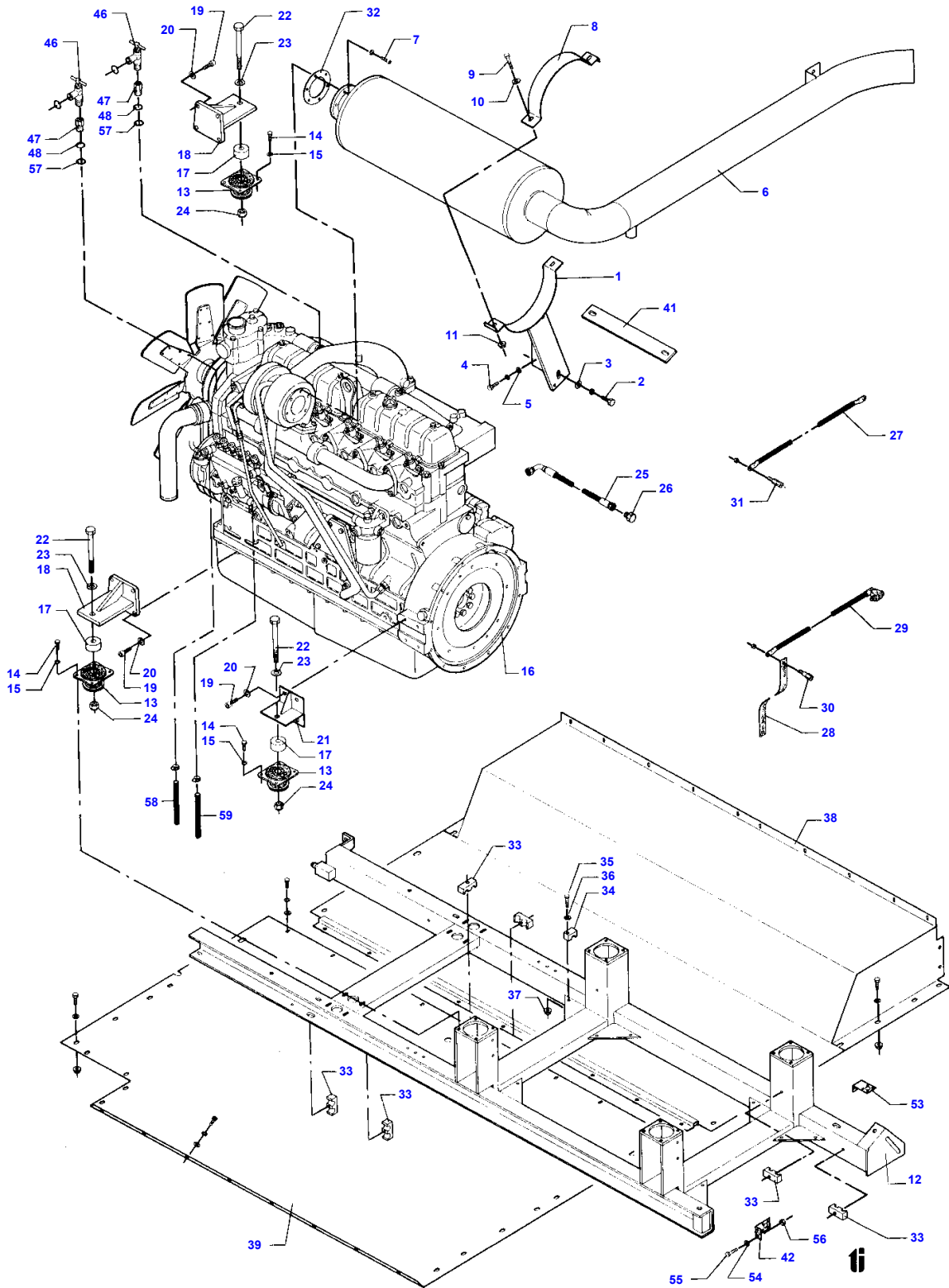
1810921A

STRAINER

10-4

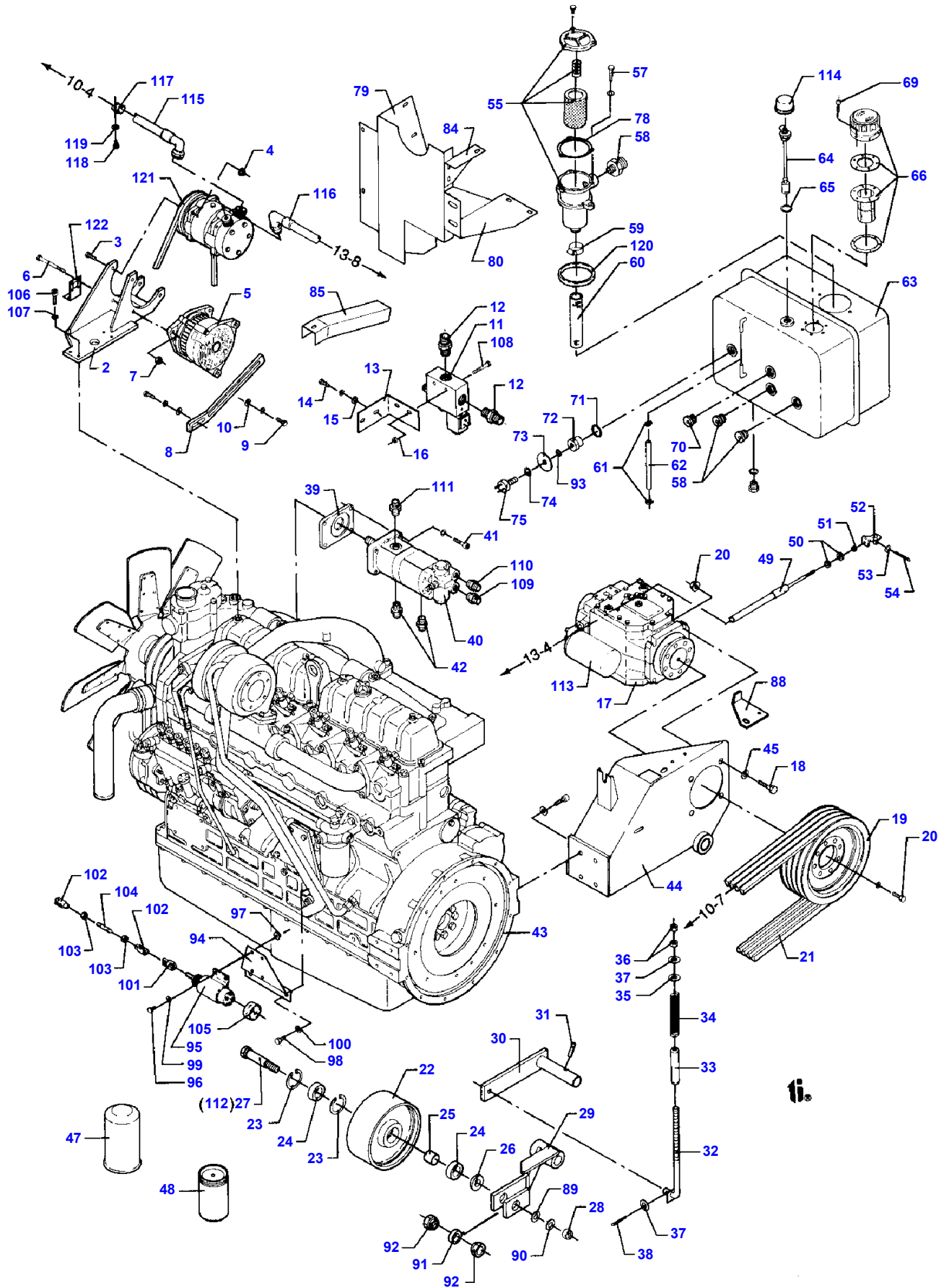
Item	Part Number	Qty	Description	Comments
1	D28780111	1	Support	+F.47248
2	D28780966	1	Plate	+F.47248
3	D28780954	1	Plate	+F.47248
5	D40404900		Screw Metric	(5)
6	D20400506		Spacer	(5)
7	D41013500		Nut	(5)
9	D28780084	1	Bracket	Left Hand
10	D28780085	1	Bracket	Right Hand
11	D28781045	1	Bracket	+F.48038
12	D28781043	1	Plate	+F.48038
13	D28780551	1	Channel	
14	D40405100	2	Screw Metric	
	D28780905	1	Intake	POS.15-26
15	D28780984	1	Strainer	
16	D41713600	2	Flange	
17	D40404900		Screw Metric	(5)
18	D41013500		Nut	(5)
19	D28780096	1	Hub	
21	D28780094	1	Spoke	
22	D41010600		Nut	(5)
23	D28781010	1	Seal	
24	D40351800	10	Screw Metric	
25	D20400400	10	Washer	
26	D41087200	10	Locknut	
27	D45056700	2	Cylinder	
28	D41404400	4	SPLIT PIN	
29	D45070014	1	Condenser	
30	D28780537	1	Spring Plate	
31	D40404900	1	Screw Metric	
32	D20400409	1	Washer	
33	D41013500	1	Nut	
34	D28780769	2	Plate	(G5)
	D28782043	1	Plate	
35	D28780554	2	Plate	(G5)
	D28782043	1	Plate	
36	D44731100	1	Grommet	
37	D40404700	4	Screw Metric	
38	D41013500	4	Nut	
39	D44732000	1	Grommet	
40	D28780779	1	Shroud	
41	D28780783	1	Support	
42	D28780786	1	Shroud	
43	D20400506	4	Spacer	
44	D28780977	1	Plate	
45	D43428500	2	Pin	T.47120
46	D43428600	2	Lock Washer	T.47120
48	D28780923	1	Locking Plate	F.47121
49	D28780924	1	Bracket	F.47121
50	D28780922	1	Locking Plate	F.47121
51	D28780925	1	Bracket	F.47121
52	D28780926	1	Pawl	F.47121
53	D28761862	1	Tension Spring	F.47121
54	D28780939	2	Clevis Pin	
55	D41013600	2	Nut	
56	D45742900	2	Plug	
57	D28780906	1	Shaft	
58	D45070018	1	Hose	
59	D45070031	1	Hose	
60	D45090500	1	O Ring	
61	D45092200	1	O Ring	
62	D41011100	1	Nut	
63	D20400459	2	Washer	
64	D40405000	2	Screw Metric	

(G5)
AIR-CONDITION
(5)
OPTIONAL



MASSEY FERGUSON**MF 38 COMBINE, ->| 47597 - 1810921A****1810921A****10-5****ENGINE BRACKET AND SILINCER**

Item	Part Number	Qty	Description	Comments
1	D28780148	1	Bracket	
2	D40410900	1	Screw	
3	D20400426	1	Washer	
4	D40407800	1	HEXAGON SCREW	
5	D20400471	1	Washer	
6	D28780252	1	Silencer	
7	D40690300	6	Screw Metric	
8	D28780147	1	Tensioner	
9	D40425900	2	Screw	
10	D20400471	2	Washer	
11	D41013600	2	Nut	
12	D28780266	1	Frame	
13	D46406600	4	Vibration Mount	
14	D40404900	16	Screw Metric	
15	D20400409	16	Washer	
16	D46497200	1	Engine	
	D46497300	1	Engine	
17	D28770291	4	Bush	
18	D28780259	2	Suspension	
19	D40693800	12	Screw	
20	D20400426	12	Washer	
21	D28770293	1	Suspension	
22	D40434600	4	Bolt	
23	D20400433	8	Washer	
24	D41087900	4	Locknut	
25	D45138700	1	Hydr Hose	
26	D28780170	1	Plug	
27	D28780205	1	Cable	+
28	D28760642	1	Earth Strap	
29	D28780506	1	Cable	-
30	D28760746	1	Threaded Part	(J)
	D28761073	1	Threaded Part	(J)
31	D28761472	1	Threaded Part	
32	D46443600	1	Gasket	
33	D45739200	6	Support	
34	D45739600	2	Support	
35	D40421900	2	Bolt	
36	D20400404	2	Washer	
37	D41013400	2	Nut	
38	D28180256	1	Roof	
39	D28180713	1	Roof	
40	D46422300	2	Cock	
41	D28780787	1	Reinforcement	
42	D28780772	1	Retainer	
43	D20400446	2	Washer	
44	D20400513	1	Washer	
45	D40411000	2	HEXAGON SCREW	
46	D46422300	2	Cock	
47	D28950540	2	Union	
48	D45700000	2	Band	
53	D28780381		Retainer	
54	D20400404	2	Washer	
55	D40422000	2	HEXAGON SCREW	
56	D41013400	2	Nut	
57	D45201800	2	Ring	
58	D28780572	1	Hose	T.47693
	D28784146	1	Hose	F.47694
59	D28780571	1	Fuel Hose	T.47693
	D28784143	1	Hose	F.47694
				(J)
				USED AS PER TYPE OF THREAD ON THE ENGINE



MASSEY FERGUSON

MF 38 COMBINE, ->| 47597 - 1810921A

1810921A

PROP. PUMP - HYDR. PUMP

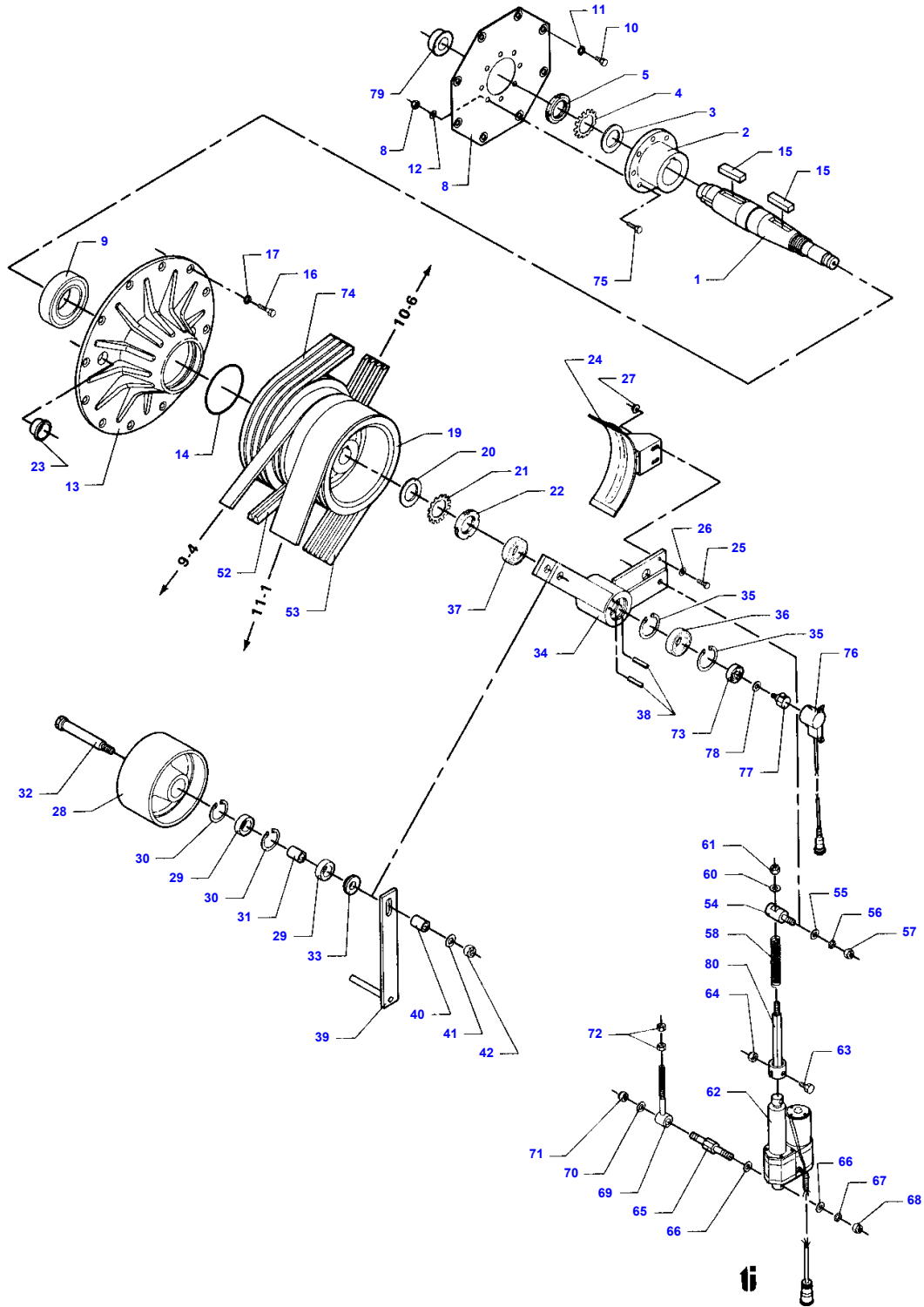
10-6

Item	Part Number	Qty	Description	Comments
1	D45070015	1	Compressor	
2	D28780600	1	Bracket	
3	D40423600	6	HEXAGON SCREW	
4	D41013500	6	Nut	
5	D46447500	1	Alternator	
6	D40425100	1	Screw	
7	D41087500	1	Locknut	
8	D28780603	1	Tensioner	
9	D40404900	2	Screw Metric	
10	D20400414	2	Washer	
11	D45110053	1	Valve	
12	D45251500	2	Union	
13	D28780344	1	Bracket	
14	D40424100	2	HEXAGON SCREW	
15	D20400409	2	Washer	
16	D41013500	2	Nut	
17	D45163000	1	Hydraulic Pump	
18	D40411300	4	HEXAGON SCREW	
19	D28780058	1	Pulley	
20	D40407700	1	Screw	
21	D41934200	1	Belt	
22	D28780900	1	Roller	
	D28880196	1	Pulley	T.47015
23	D42513700	2	Circlip	
24	D41622700	2	Bearing Ball	
25	D28780007	1	Ring	
26	D28380003	1	Ring	
27	D28480090	1	Bolt	T.47015
28	D41011100	1	Nut	F.47016
	D41087900	1	Locknut	T.47015
29	D28780203	1	Arm	T.47015
	D28780902	1	Arm	T.47016
30	D28780197	1	Arm	
31	D42621900	1	Pin	
32	D28780195	1	Spindle	
33	D28780196	1	Pipe	
34	D28210881	1	Comp.Spring	
35	D20400446	1	Washer	
36	D41010900	1	Nut Metric	
37	D20400423	1	Washer	
38	D41410700	1	SPLIT PIN	
39	D28751567	1	Flange	
40	D45163200	1	Hydraulic Pump	
41	D40690700	4	Screw Metric	
42	D45251500	2	Union	
43	D46497200	1	Engine	
	D46497300	1	Engine	
44	D28780273	1	Bracket	
45	D20400446	4	Washer	
46	D41909000	1	Belt	(G5)
	D41991000	1	V Belt	
47	D46447400	1	Oil Filter	
48	D46446900	1	Filter	
49	D46439000	1	Cable	
50	D41018900	2	Nut	
51	D41018300	1	Nut	
52	D28761414	1	Tensioner	
	D28784148	1	Tensioner	+F.47963
53	D20400506	1	Spacer	
54	D41405900	1	SPLIT PIN	
55	D45146400	1	Oil Filter	+F.47963
56	D45145300	1	Hydr. Element	
57	D40749600	2	Screw	
58	D45251500	1	Union	
59	D45727000	1	Hose Clip	
60	D28711628	1	Hose	
61	D45738900	2	Hose Clip	
62	D28720448	1	Hose	
63	D28780045	1	Oil Tank	
64	D45074100	1	Switch	

MASSEY FERGUSON**MF 38 COMBINE, ->| 47597 - 1810921A****1810921A****PROP. PUMP - HYDR. PUMP****10-6**

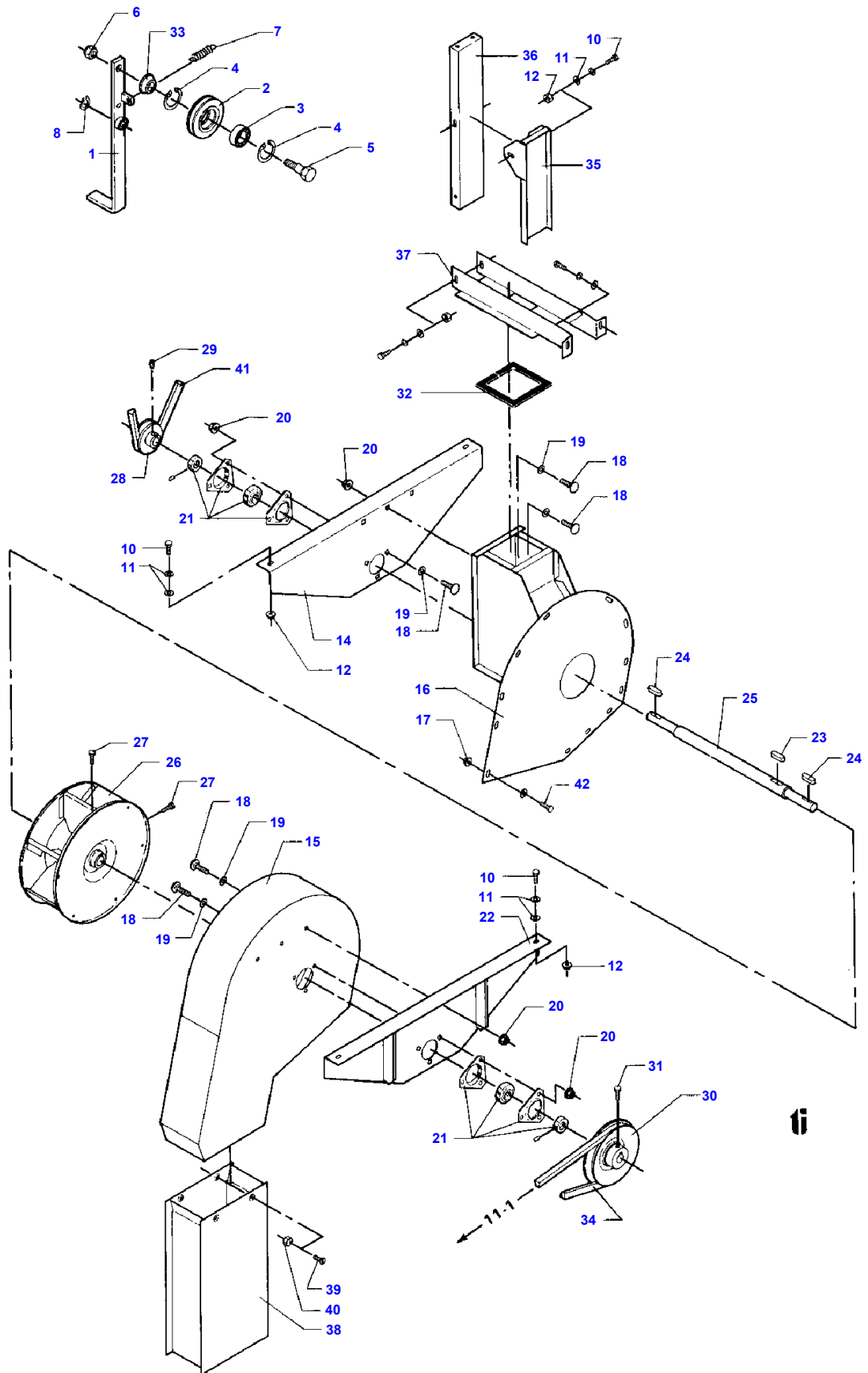
Item	Part Number	Qty	Description	Comments
65	D45201900	1	Packing	
66	D45103000	1	Filter	
67	D45103200	1	Filter	
68	D45103100	1	Gasket	
69	D40749100	6	Screw Metric	
70	D45117800	1	Plug	
71	D45202000	1	Packing Ring	
72	D28780418	1	Adaptor	
73	D28780947	1	Washer	
74	D45711400	1	Gasket	
75	D45029900	1	Indicator	
77	D45145800	1	Seal	
78	D45145700	1	Kit	
79	D28780623	1	Support	
80	D28180911	1	Support	
85	D28780620	1	Reinforcement	
88	D28780896	1	Speedometer	
89	D20400459	1	Washer	
90	D20400460	1	Washer	
91	D28780776	1	Spacer	
92	D28780777	2	Eccentric	
93	D45711400	1	Gasket	
74	D28780975	1	Console	+F.47938
94	D45070016	1	Coupler	
95	D46447600	1	Dynamo	+F.47938
96	D40402600	4	Screw Metric	
97	D41087400	4	Locknut	
98	D40407600	2	Screw	
99	D20400470	8	Washer	
100	D20400416	2	Washer	
101	D28780974	1	Stem	+F.47938
102	D46435600	2	Fork	+F.47938
103	D41010600	2	Nut	
104	D28780973	1	Stud	+F.47938
105	D28781009	1	Bush	
106	D40692400	4	Screw	
107	D20400471	4	Washer	
108	D40424300	2	Bolt	
109	D45250800	1	Union	
110	D45251000	1	Union	
111	D45250700	1	Union	
112	D28780008	1	Bolt	F.47016
113	D45161300	1	Oil Filter	
114	D45708800	1	Plug	
115	D45070018	1	Hose	
116	D45070020	1	Hose	
117	D45729800	4	Clamp	
118	D40402400	4	Screw Metric	
119	D20400404	4	Washer	
120	D28780979	1	Gasket	
121	D45070016	1	Coupler	
122	D28780772	1	Retainer	

(G5)
AIR-CONDITION



MASSEY FERGUSON**MF 38 COMBINE, ->| 47597 - 1810921A****1810921A****10-7****POWER TAKE-OFF**

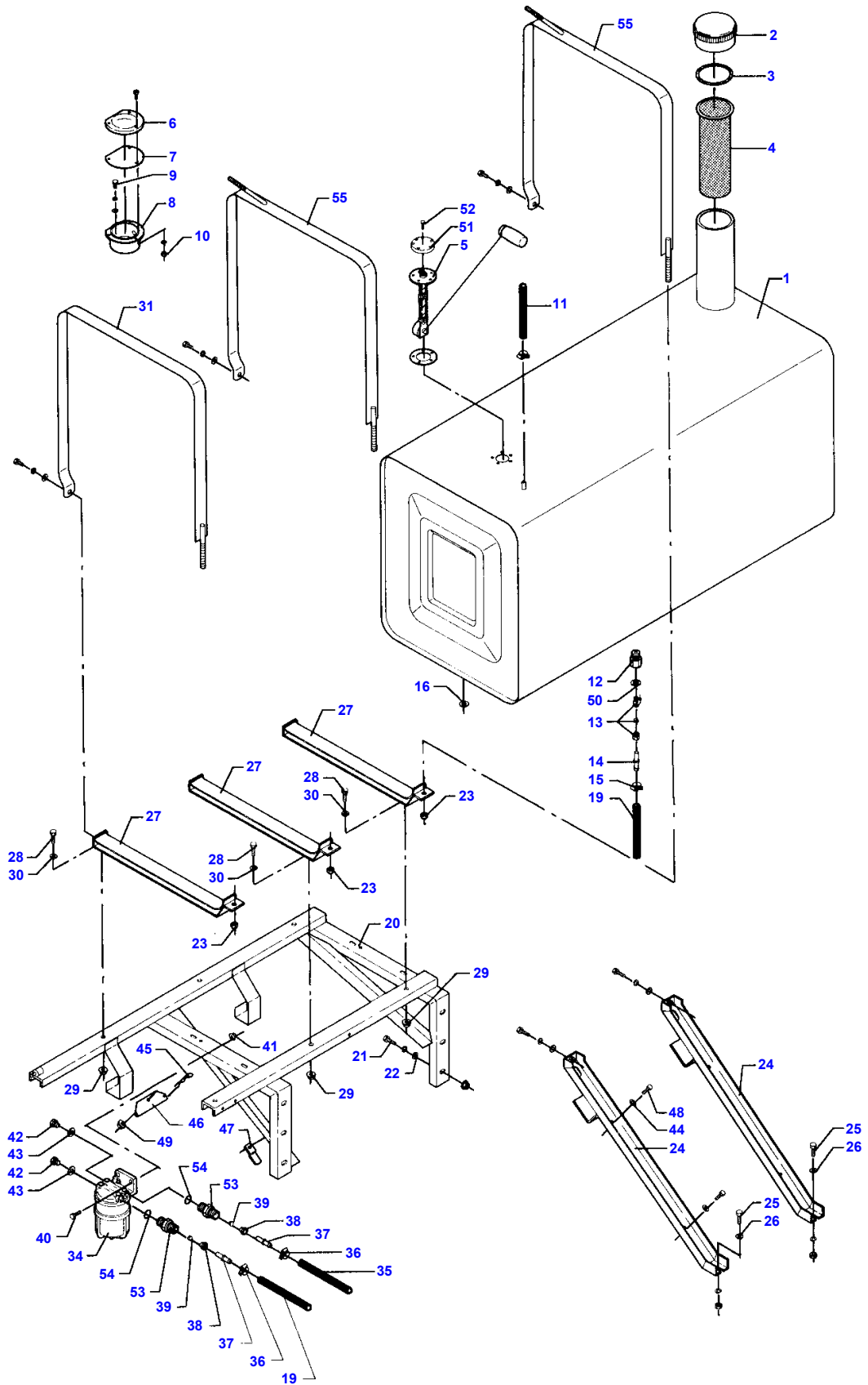
Item	Part Number	Qty	Description	Comments
1	D28780771	1	Shaft	INCL. P.79
2	D28780615	1	Hub	
3	D25700260	1	Washer	
4	D28780617	1	Washer	
5	D25700322	1	Nut	
6	D28780468	1	Plate	
8	D41010800	8	Nut Metric	
9	D41629600	1	Bearing Ball	
10	D40448300	8	Setscrew	
11	D41112500	8	Washer	
12	D41112500	8	Washer	
13	D28780061	1	Bearing Housing	
14	D45470800	1	O Ring	
15	D43110600	2	Key	
16	D40407800	12	HEXAGON SCREW	
17	D41112500	12	Washer	
19	D28780057	1	Pulley	
20	D28730018	1	Washer	
21	D28710736	1	Lock Washer	
22	D28710073	1	Nut	
23	D45746700	2	Plug	
24	D28780241	1	Band	
25	D40405000	2	Screw Metric	
26	D20400409	2	Washer	
27	D41013500	2	Nut	
28	D28780486	1	Roller	
29	D41622700	2	Bearing Ball	
30	D42513700	2	Circlip	
31	D28780007	1	Ring	
32	D28780008	1	Bolt	
33	D28380003	1	Ring	
34	D28780246	1	Lever	
35	D42514500	2	Circlip	
36	D41622900	1	Bearing Ball	
37	D41623000	1	Bearing Ball	
38	D42605600	2	Pin	
39	D28780226	1	Lift	
40	D28780224	1	Spacer	
41	D20400517	1	Spacer	
42	D41087900	1	Locknut	
52	D41979100	1	Belt	
53	D41979400	1	Belt	
54	D28780250	1	Pin	
55	D20400423	1	Washer	
56	D41112300	1	Washer	
57	D41087700	1	Locknut	
58	D28780182	1	Spring	
60	D20400423	1	Washer	
61	D41087700	1	Locknut	
62	D28780405	1	Actuator	T.48459
	D28781062	1	Ram	F.48460
63	D40411400	1	Screw Metric	
64	D41087700	1	Locknut	
65	D28780844	1	Pin	
66	D20400426	2	Washer	
67	D41112300	1	Washer	
68	D41087700	1	Locknut	
69	D28780843	1	Bolt	
70	D20400433	1	Washer	
71	D41087900	1	Locknut	
72	D41010900	2	Nut Metric	
73	D41622600	1	Bearing Ball	
74	D41934200	1	Belt	
75	D40407700	8	Screw	
76	D28780514	1	Sensor	
77	D28780516	1	Bolt	
78	D20400419	1	Washer	
79	D28780805	1	Bush	
80	D28780247	1	Bolt	



FAN HOUSING

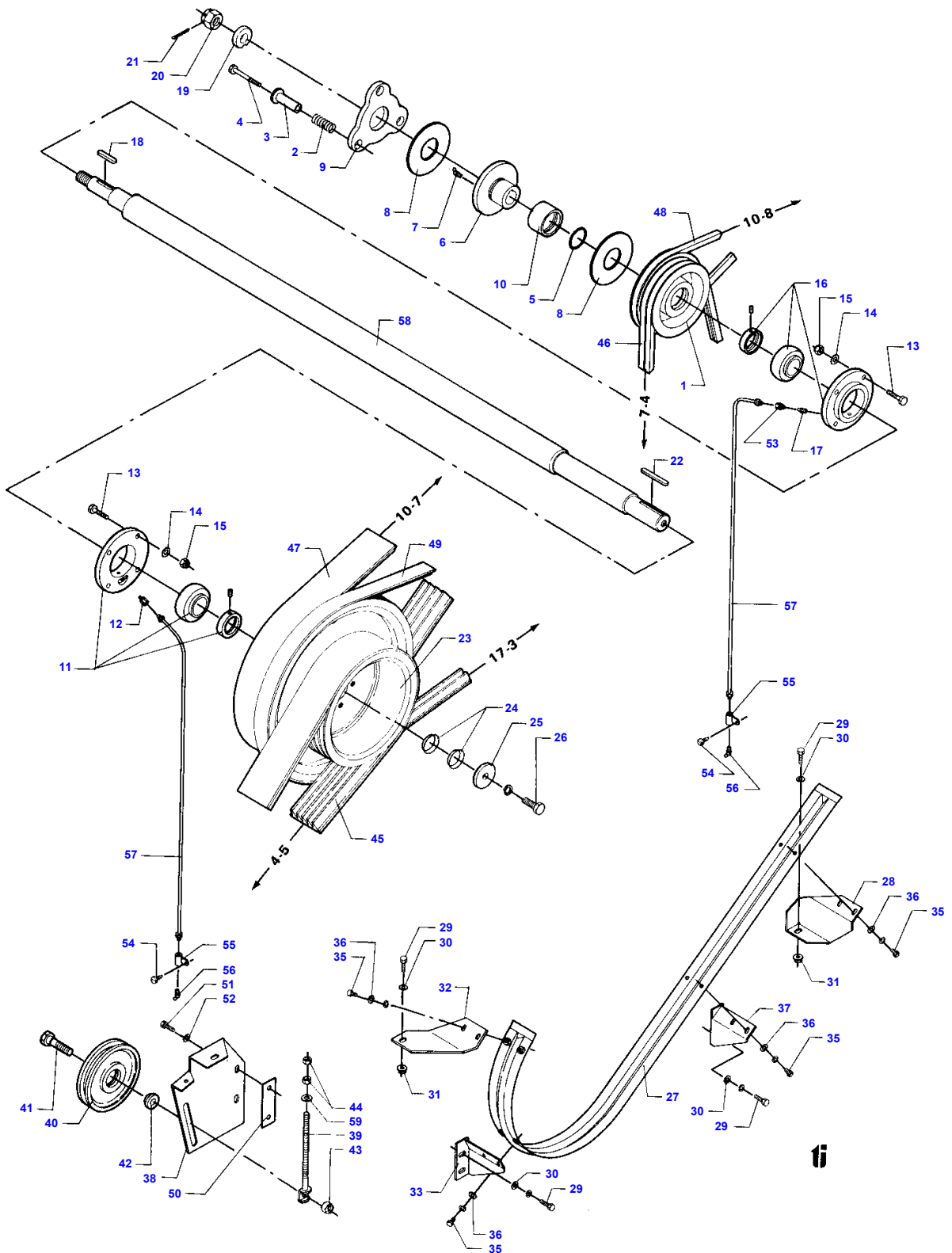
Item	Part Number	Qty	Description	Comments
1	D28780130	1	Lever	
2	D28950560	1	Pulley	
3	D41622800	1	Bearing Ball	
4	D42514000	2	Circlip	
5	D28760328	1	Bolt	
6	D41087900	1	Locknut	
7	D28761057	1	Spring	
8	D42501400	1	Circlip	
10	D40404900		Screw Metric	(5)
11	D20400506		Spacer	(5)
13	D28780566	1	Nozzle	T.46204
14	D28780151	1	Bracket	
15	D28780573	1	Housing	
16	D28780596	1	Cover	
17	D41013400	13	Nut	
18	D40063700	1	Screw	(5)
19	D20400506		Spacer	(5)
20	D41013500		Nut	(5)
21	D41713700	2	Bearing	
22	D28780151	1	Bracket	
23	D43103400	1	Key	
24	D43102200	2	Key	
25	D28780582	1	Shaft	
26	D28780586	1	Fan	
27	D40404900	2	Screw Metric	
28	D28780114	1	Pulley	
29	D40631000	2	Pin	
30	D28780113	1	Pulley	
31	D40404900	1	Screw Metric	
32	D44741500		Gasket	0,360 M
33	D28380003	1	Ring	
34	D41998800	1	V Belt	
35	D28780779	1	Shroud	
36	D28780783	1	Support	
37	D28780786	1	Shroud	
38	D28780799	1	Exhaust Pipe	
39	D40600500	4	Screw	
40	D41010600	4	Nut	
41	D41911000	1	Belt	
42	D40402400	12	Screw Metric	
43	D20400404	12	Washer	(5)

OPTIONAL



MASSEY FERGUSON**MF 38 COMBINE, ->| 47597 - 1810921A****1810921A****10-9****FUEL TANK**

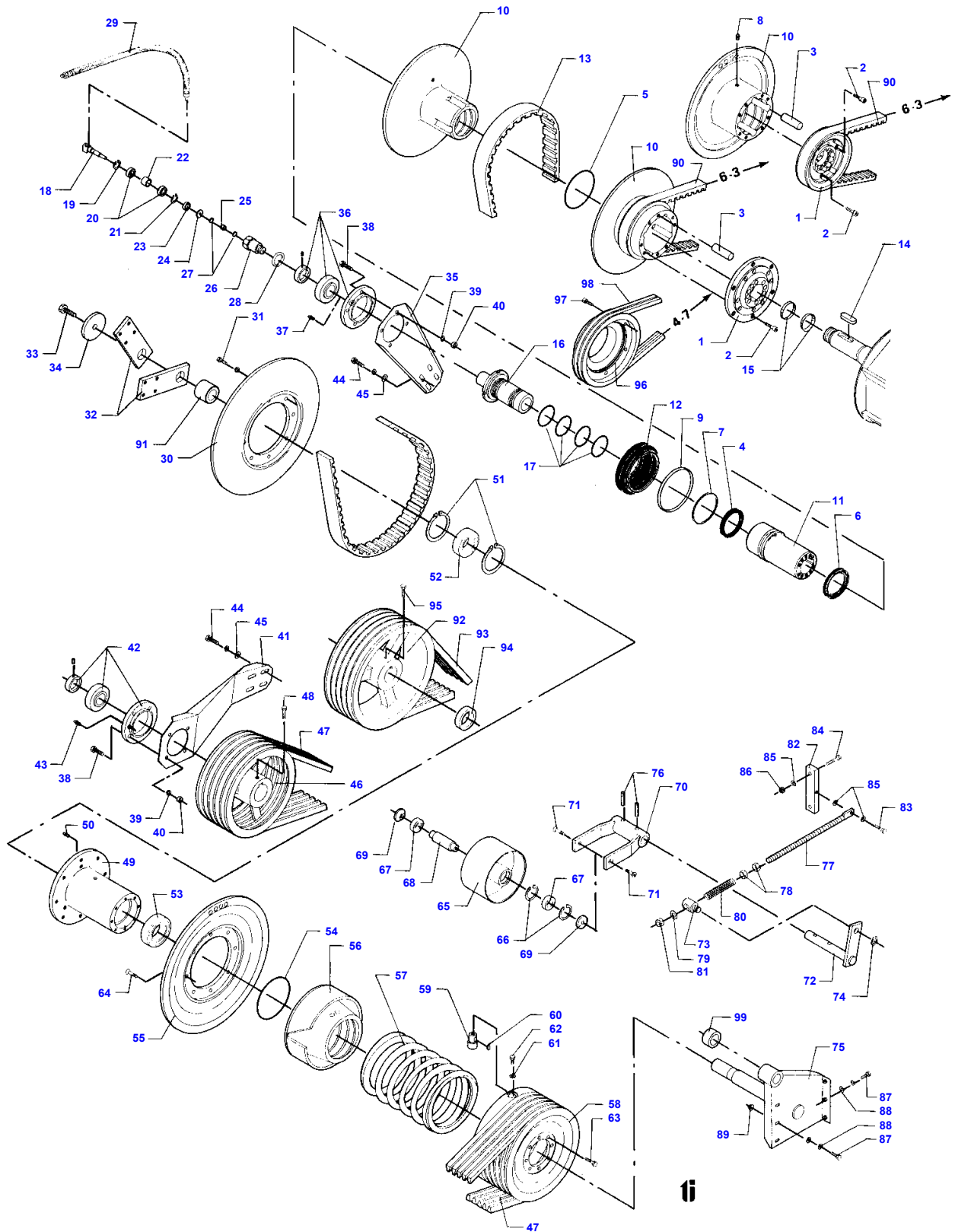
Item	Part Number	Qty	Description	Comments
1	D28780162	1	Fuel Tank	
2	D46404300	1	Cover	
3	D46404400	1	Packing	
4	D46403500	1	Fuel Filter	
5	D45089900	1	Gauge	
6	D45020061	1	Cover	T.47673
7	D45020062	1	Packing	T.47673
8	D45020060	1	Housing	T.47673
9	D40352000	3	Screw Metric	T.47673
10	D41010400	3	Nut	T.47673
11	D28780572	1	Hose	T.47713
	D28784146	1	Hose	F.47715
12	D28780775	1	Stud	
13	D46401100	1	Plug	
14	D46418200	1	Adaptor	
15	D45726900	2	Clip	F.47715
	D45729700	2	Clamp	T.47714
16	D45232400	1	Washer	
18	D45236100	1	Plug	+F47674
19	D28731553	1	Fuel Hose	T.47714
	D28784145	1	Hose	F.47715
20	D28780466	1	Bracket	T.47962
	D28781049	1	Bracket	F.47963
21	D40407800	6	HEXAGON SCREW	
22	D20400471	6	Washer	
23	D41013600	3	Nut	
24	D28780636	2	Stay	T.47962
25	D40407700	2	Screw	
26	D20400471	2	Washer	
27	D28780472	3	Support	
28	D40407700	9	Screw	
29	D41013600	9	Nut	
30	D20400471	9	Washer	
31	D28780191	1	Clip	
32	D20400471	3	Washer	
33	D40407600	3	Screw	
34	D46301058	1	Trap	
35	D28780571	1	Fuel Hose	T.47714
	D28784143	1	Hose	F.47715
36	D45726900	2	Clip	F.47715
	D45729700	2	Clamp	T.47714
37	D45716800	2	Union	F.47715
	D46418200	2	Adaptor	T.47714
38	D28711763	2	Union	T.47714
	D46446000	2	Union	F.47715
39	D45715000	2	Tapered Ring	T.47714
	D46446300	2	Washer	F.47715
40	D40405000	2	Screw Metric	
41	D41013500	2	Nut	
42	D46301059	2	Plug	
43	D46300336	2		
44	D20400409	2	Washer	
45	D27100120	1	Hair Pin	
46	D28580298	1	Hinge	
47	D28580299	1	Retainer	
48	D40404900	2	Screw Metric	
49	D41013500	2	Nut	
50	D45201900	1	Packing	
51	D28784157	1	Cover	F.47673
52	D40401000	5	Screw	F.47673
53	D46446100	2	Union	F.47715
54	D46446200	2	Bush	F.47715
55	D28780191	2	Clip	T.47962
	D28784142	2	Clip	F.47963



11

COUNTER SHAFT

Item	Part Number	Qty	Description	Comments
	D28780480	1	Clutch	POS. 1-10
1	D28780813	1	Pulley	
2	D28260098	3	Comp.Spring	
3	D28780809	1	Bush	
4	D40466800	3	Screw	
5	D45465600	1	O Ring	
6	D28780482	1	Hub	
7	D43001600	1	Greaser	
8	D45903800	2	Friction Disc	
9	D28780478	1	Plate	
10	D28780810	1	Lining	
11	D41715000	1	Bearing	
12	D43009600	1	Greaser	
13	D40411100	8	HEXAGON SCREW	
14	D20400426	8	Washer	
15	D41087700	8	Locknut	
16	D41711000	1	Flange	
17	D43001700	1	Greaser	
18	D43104900	1	Key	
19	D28780475	1	Washer	
20	D41049100	1	Castle Nut	
21	D41410700	1	SPLIT PIN	
22	D43108000	1	Key	
23	D28780021	1	Pulley	
24	D42596900	1	Element	
25	D28780497	1	Washer	
26	D40465700	1	Screw	
27	D28780173	1	Belt	
28	D28780174	1	Bracket	
29	D40407800	1	HEXAGON SCREW	
30	D20400416		Washer	
31	D41013600	1	Nut	
32	D28780175	1	Bracket	
33	D28780176	1	Bracket	
34	D20400416		Washer	
35	D40404700	8	Screw Metric	
36	D20400409	8	Washer	
37	D28780177	1	Bracket	
38	D28780142	1	Bracket	
39	D28260181	1	Bolt	
40	D28760159	1	Pulley	
41	D28760156	1	Screw	
42	D28760163	1	Spacer	
43	D41087900	1	Locknut	
44	D41010800	2	Nut Metric	
45	D41979900	1	Belt	
46	D41937500	1	V Belt	
47	D41979400	1	Belt	
48	D41998800	1	V Belt	
49	D41979600	1	Belt	
50	D28780034	1	Plate	
51	D40407800	2	HEXAGON SCREW	
52	D20400416	2	Washer	
53	D43009500	1	Connector	
54	D40743100	2	Screw	
55	D43009200	2	Bracket	
56	D43002600	2	Grease Nipple	
57	D28780803	2	Tube	
58	D28780492	1	Countershaft	
59	D20400419	1	Washer	

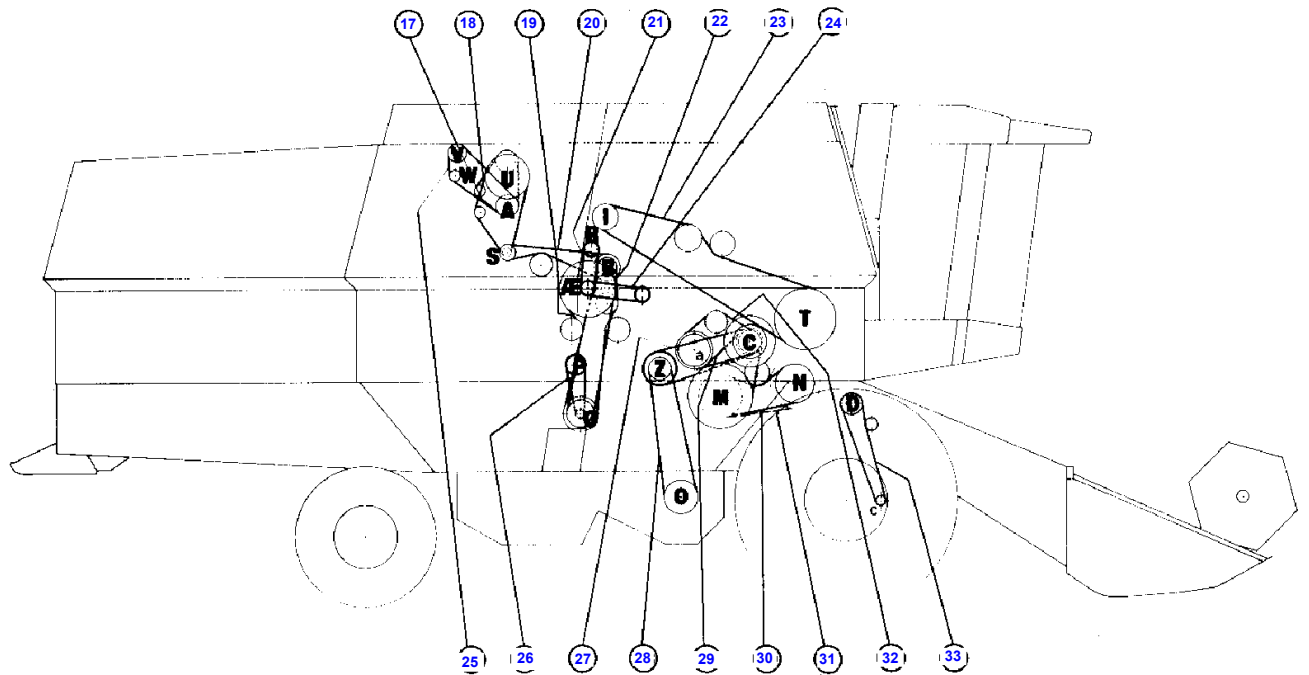
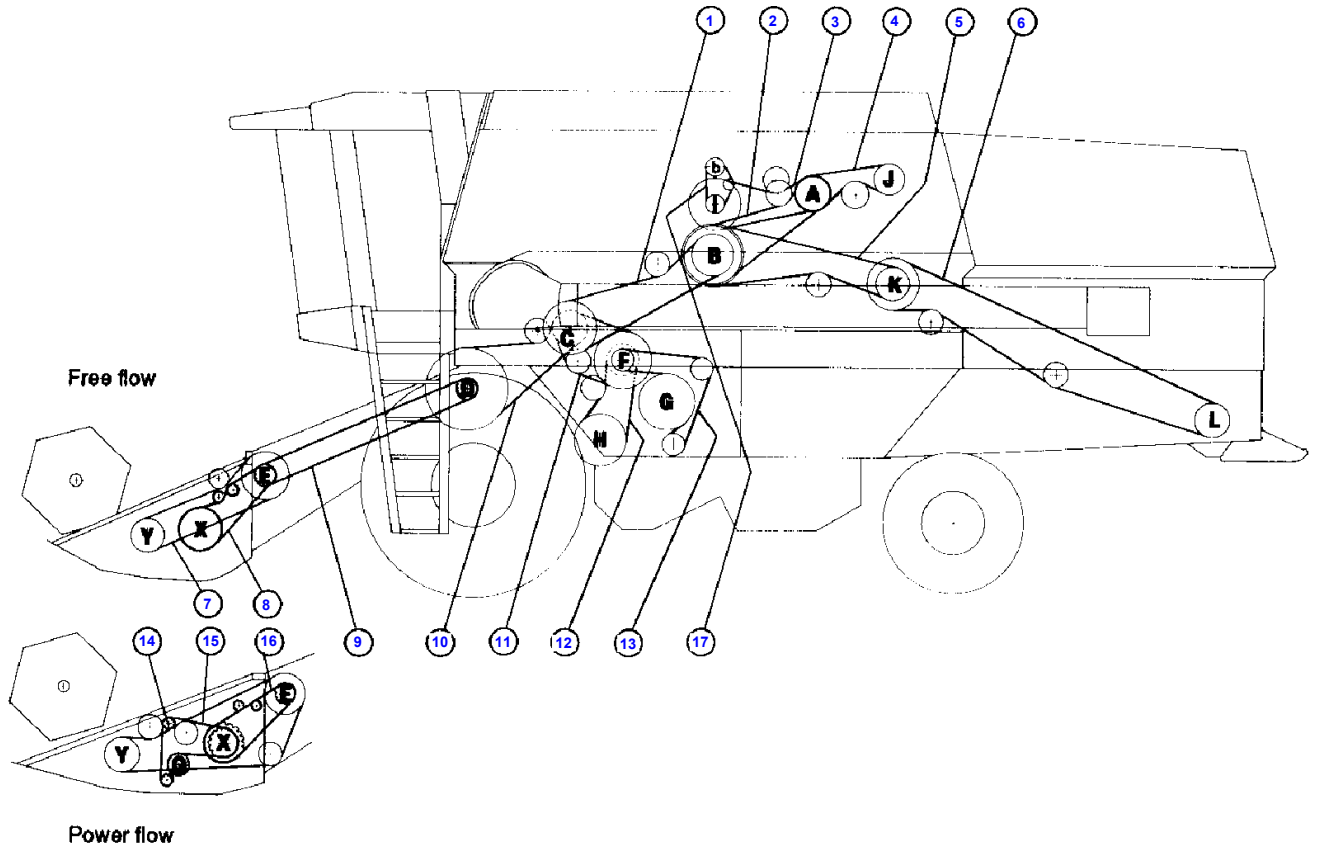


MASSEY FERGUSON**MF 38 COMBINE, ->| 47597 - 1810921A****1810921A****CYLINDER TRANSMISSION****11-2**

Item	Part Number	Qty	Description	Comments
	D28380056		Variator	T.47597
	D28382095	1	Variator	F.47597
1	D28380025	1	Cover	T.47597
	D28380221	1	Cover	F.47597
2	D40607100	16	Screw	
3	D28380024	4	Pin	
4	D45402700	1	Ring	
5	D45471500	1	Ring	
6	D45402800	1	Ring	
7	D45402000	1	Ring	
8	D43001500	1	Greaser	
9	D45039100	3	Bearer	
10	D28380034	1	Pulley	T.47597
	D28382117	1	Variator	F.47597
11	D28380014	1	Bush	
12	D28380031	1	Bellows	
13	D41981000	1	Belt	
14	D43110600	1	Key	
15	D42596800	1	Tightener	
16	D28380184	1	Bush	
17	D45467100	4	Seal	
	D28380017	1	Clutch	POS. 18-27
18	D28710334	1	Shaft	
19	D42512000	1	Circlip	
20	D41615100	2	Bearing Ball	
21	D42500700	1	Circlip	
22	D28710333	1	Bush	
23	D28710332	1	Bush	
24	D28710331	1	Ring	
25	D28710330	1	Ring	
26	D28380016	1	Bolt	
27	D45410500	2	Ring	
28	D45420100	1	Seal	
29	D45136900	1	Hydr Hose	
30	D28380063	1	Washer	
31	D40407800	8	Ring	
32	D28380018	2	Bracket	
33	D40416500	1	HEXAGON SCREW	
34	D28750882	1	Disc	
35	D28380020	1	Yoke	
36	D41711000	1	Flange	
37	D43001500	1	Greaser	
38	D40411000	8	HEXAGON SCREW	
39	D20400424	8	Washer	
40	D41010900	8	Nut Metric	
41	D28380104	1	Yoke	
42	D41711000	1	Flange	
43	D43001500	1	Greaser	
44	D40410800	8	HEXAGON SCREW	
45	D20400424	8	Washer	
46	D28380021	1	Pulley	
47	D41983300	1	Kit, Belt	
48	D40408000	2	HEXAGON SCREW	
	D28380065	1	Pulley	POS. 49-64
49	D28380040	1	Variator	
50	D43001500	1	Greaser	
51	D42516400	2	Circlip	
52	D41629300	1	Bearing Ball	
53	D41629400	1	Bearing Ball	
54	D45472100	1	Ring	
55	D28380041	1	Ring	
56	D28380046	1	Variator	
57	D28380036	1	Spring	
58	D28380039	1	Pulley	
59	D28380037	2	Pin	
60	D43103100	2	Key	
61	D20400415	2	Washer	
62	D40407600	2	Screw	
63	D40408000	8	HEXAGON SCREW	
64	D40603300	1	Screw Metric	

MASSEY FERGUSON**MF 38 COMBINE, ->| 47597 - 1810921A****1810921A****11-2****CYLINDER TRANSMISSION**

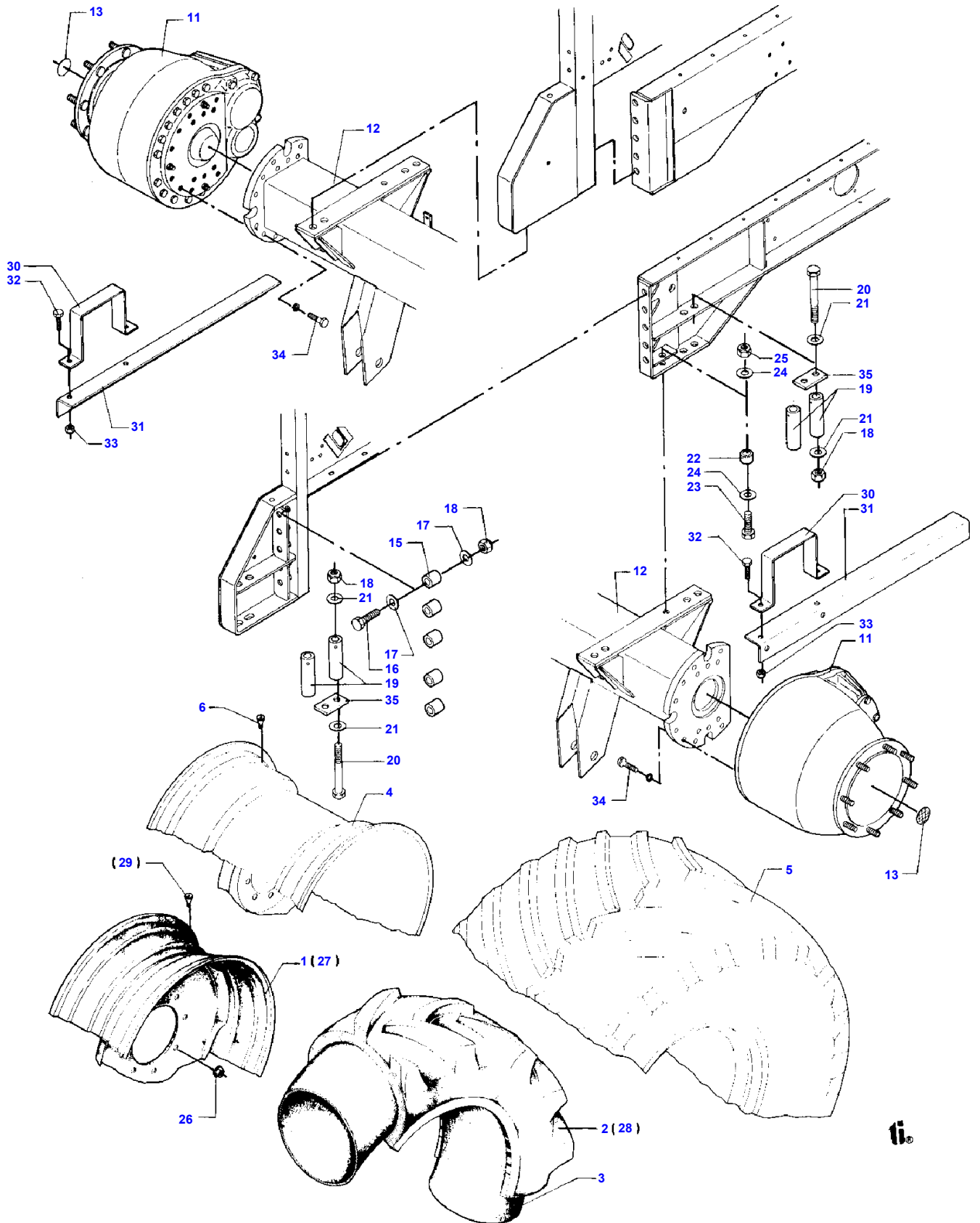
Item	Part Number	Qty	Description	Comments
65	D28380189	1	Pulley	
66	D42513700	2	Circlip	
67	D41622700	2	Bearing Ball	
68	D28380001	1	Bolt	
69	D28380003	2	Ring	
70	D28380009	1	Arm	
71	D40603300	2	Screw Metric	
72	D28380005	1	Arm	
73	D28760334	1	Trunnion	
74	D42501800	1	Circlip	
75	D28380053	1	Bracket	
76	D42621900	2	Pin	
77	D28380011	1	Tie Rod	
78	D41011100	1	Nut	
78	D41012300	1	Nut	
79	D20400459	2	Washer	
80	D28210881	1	Comp.Spring	
81	D41087900	1	Locknut	
82	D28380010	1	Bracket	T.47597
82	D28380276	1	Fitting	F.47597
83	D40466700	1	Screw Metric	
84	D40426200	2	HEXAGON SCREW	
85	D20400415	4	Washer	
86	D41087600	2	Locknut	
87	D40407800	6	HEXAGON SCREW	
88	D20400415	6	Washer	
89	D41013600	3	Nut	
90	D41981200	1	Belt	
91	D28380019	1	Bush	
92	D28380022	1	Pulley	(3)
93	D41985300	1	V Belt	(3)
94	D28380128	1	Ring	(3)
95	D40408000	1	HEXAGON SCREW	(3)
96	D28380231	1	Washer	(H6)
97	D40692300	6	Screw	(H6)
98	D41990007	2	Belt	(H6)
99	D43367400	4	Lining	(H6)
				FOR MACHINES WITH GRAIN SEPARATOR
				(3)
				OPTIONAL EQUIPMENT



BELT MOUNTING

Item	Part Number	Qty	Description	Comments
1	D41979900	1	Belt	
2	D41979400	1	Belt	
3	D41979100	1	Belt	
4	D41934200	1	Belt	
5	D41979600	1	Belt	
6	D41978900	1	Belt	
7	D41985600	1	Belt	F.45848
	D41986200	1	V Belt	T.45847
8	D42329300	1	Chain	T.45847
9	D42329600	1	Chain	
10	D41979800	1	Belt	
11	D41990001	2	V Belt	
12	D41933700	2	V Belt	F.46220
	D41933700	3	V Belt	T.46204
13	D41979000	1	Belt	
14	D41986300	1	V Belt	
15	D42332800	1	Chain	F.46220
	D42329400	1	Chain	T.46204
16	D42329200	1	Chain	
17	D41911000	1	Belt	
18	D41991200	2	Belt	
19	D41986100	1	V Belt	
20	D41998800	1	V Belt	
21	D42328200	1	Chain	
22	D41937500	2	V Belt	
23	D41978800	1	Belt	F.46220
	D41979200	1	Belt	T.46204
24	D42325600	1	Chain	
25	D41909000	1	Belt	(G5)
	D41991000	1	V Belt	
26	D42329000	1	Chain	
27	D41981200	1	Belt	
28	D41981100	1	Belt	
29	D41981000	1	Belt	
30	D41983300	1	Kit, Belt	
31	D41985300	1	V Belt	
32	D41990007	2	Belt	
33	D42333300	1	Roller	

(G5)
AIR CONDITION



MASSEY FERGUSON

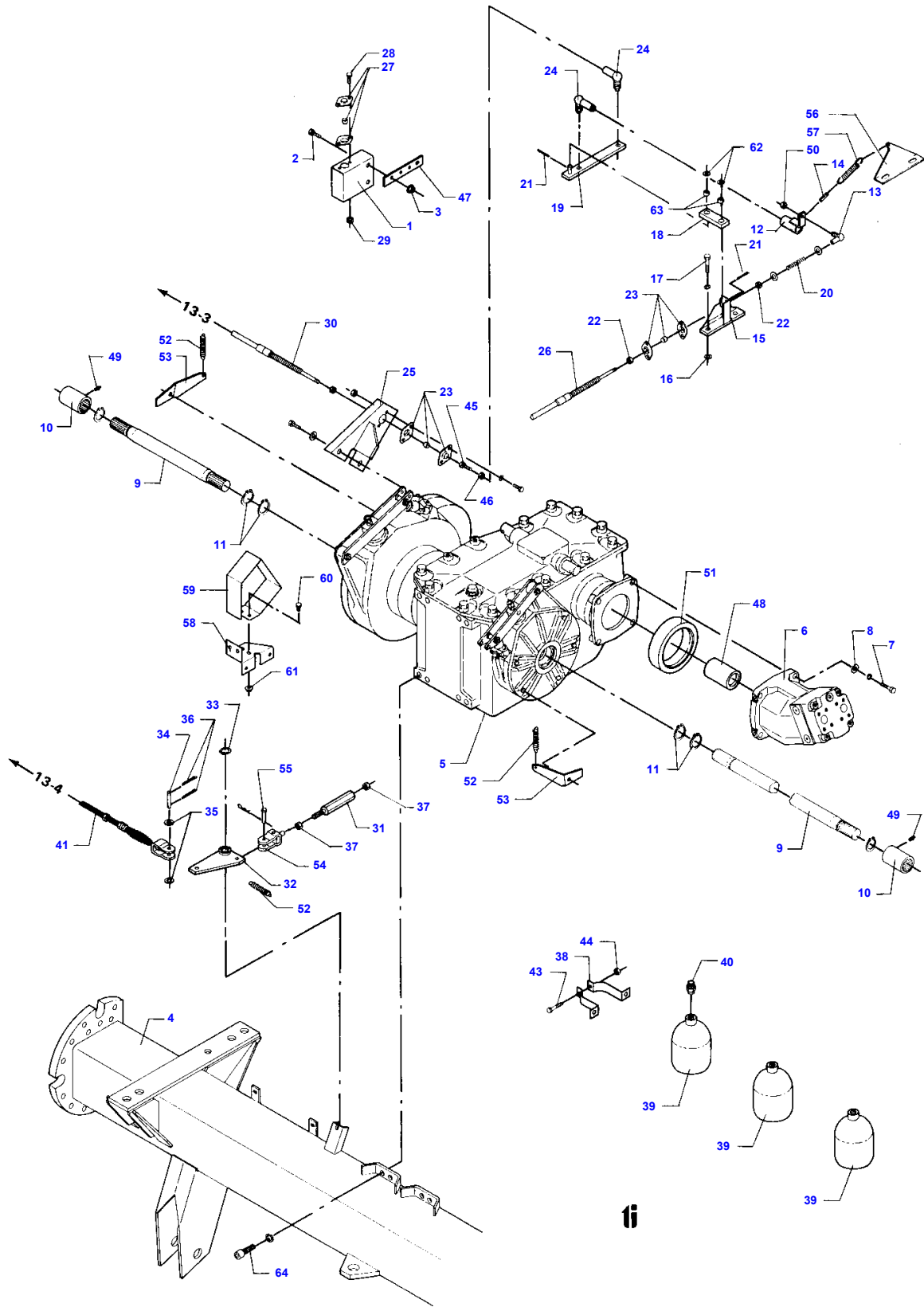
MF 38 COMBINE, ->| 47597 - 1810921A

1810921A

DRIVING WHEELS AND SIDE PINIONS, RIGHT AND LEFT

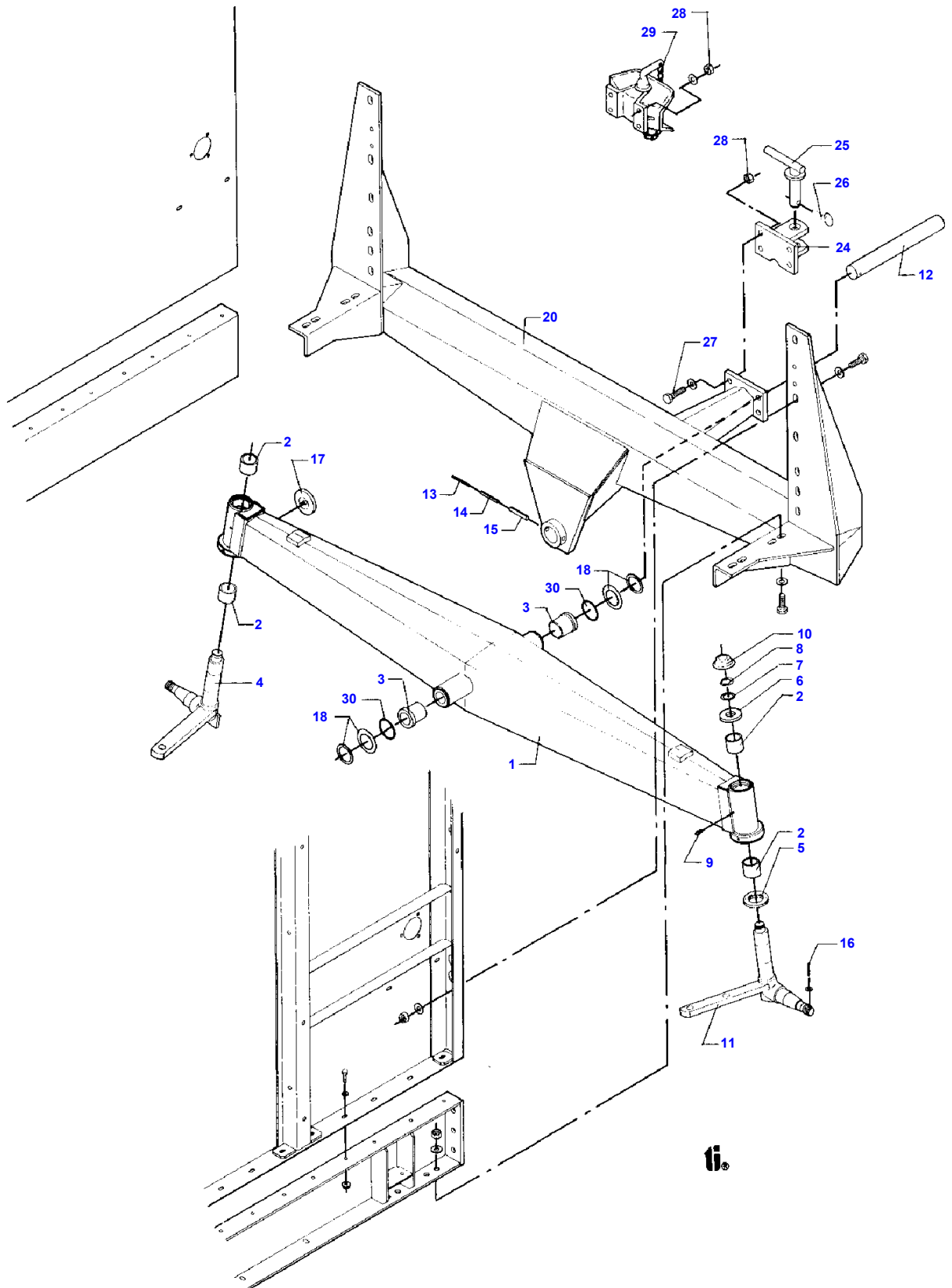
12-1

Item	Part Number	Qty	Description	Comments
	D28180805	1	Wheel	(F0) P.1-3 24 5-32 Right Hand
	D28180806	1	Wheel	(F0) P.1-3 24 5-32 Left Hand
1	D28180665	1	Rim	
2	D46735700	1	Tyre	
3	D46738200	1	Hose	
	D28180803	1	Wheel	(F0) POS. 4-6 73 X 44 00-32
	D28180804	1	Wheel	(F1) POS. 4-6 73 X 44 00-32
4	D28180600	1	Rim	
5	D46735300	1	Tyre	
6	D46737600	1	Valve	
11	D46137600	2	Final Drive	
12	D28180020	1	Front Axle	(69)
	D28180990	1	Front Axle	(68)
13	D45085400	2	Reflector	
15	D28180088	10	Spacer	
16	D40437200	10	Screw	
17	D20400437	20	Washer	
18	D41088100	14	Locknut	
19	D28180058	8	Pipe	
20	D40437800	4	Screw	
21	D20400437	8	Washer	
22	D28180059	2	Pipe	
23	D40437200	2	Screw	
24	D20400437	4	Washer	
25	D41088100	2	Locknut	
26	D41021700	8	Nut	
	D28180970	1	Wheel	(F1) POS. 27-29 30 5LR-32
	D28180971	1	Wheel	(F0) POS. 27-29 30 5LR-32
27	D28180090	1	Rim	
28	D46735900	1	Tyre	
29	D46737200	1	Valve	
30	D28181115	2	Support	(V)
31	D28181116	2	Reinforcement	(V)
32	D40433200	4	HEXAGON SCREW	
33	D41087900	4	Locknut	
34	D40433300	28	HEXAGON SCREW	
35	D28181161	2	Plate	(F0) Right Hand (F1) Left Hand (V) MAIZE EQUIPMENT (68) TABLE CHANNEL 2 (69) TABLE CHANNEL 1



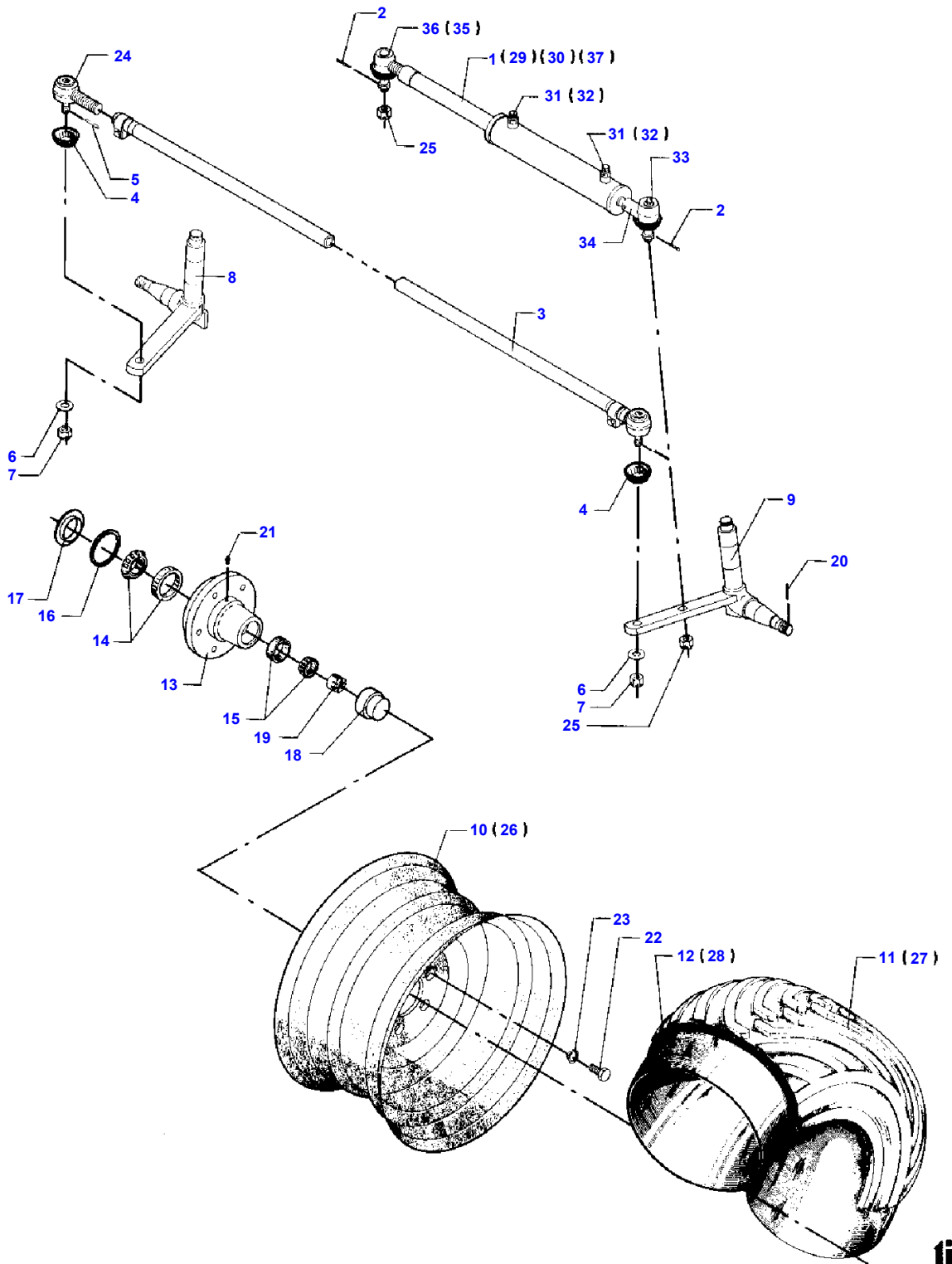
MASSEY FERGUSON**MF 38 COMBINE, ->| 47597 - 1810921A****1810921A****FRONT AXLE WITH GEARBOX AND SHAFTS****12-2**

Item	Part Number	Qty	Description	Comments
1	D28980806	1	Bracket	
2	D40407800	2	HEXAGON SCREW	
3	D41013600	2	Nut	
4	D28180990	1	Front Axle	
5	D46136800	1	Gearbox	
6	D45163100	1	Hydraulic Motor	
7	D40433200	4	HEXAGON SCREW	
8	D20400459	4	Washer	
9	D46137700	2	Shaft	
10	D46137800	2	Sleeve	
11	D42509500	4	Circlip	
12	D28980349	1	Selector	
13	D46436200	1	Connector	
14	D42609500	1	Pin	
15	D28980808	1	Plate	
16	D20400537	2	Spacer	
17	D40439300	2	Screw	
18	D28980354	1	Lever	
19	D28980796	1	Arm	
20	D28760816	1	Spring	T.46495
21	D41405900	2	SPLIT PIN	
22	D41010600	2	Nut	
23	D46434800	2	Ball Joint	
24	D46436200	2	Connector	
25	D28980352	1	Bracket	
26	D46439400	1	Cable	
27	D46431600	1	Flange	
28	D40402600	2	Screw Metric	
29	D41010600	2	Nut	
30	D46439500	1	Cable	
31	D28180836	1	Rod	
32	D28180834	1	Rocker	
33	D42501400	1	Circlip	
34	D28180838	1	Pin	
35	D20400507	2	Spacer	
36	D41402800	2	SPLIT PIN	
37	D41010900	1	Nut Metric	
38	D28752408	6	Support	+F.45921
39	D45100300	3	Accumulator	
40	D45250500	3	Union	
41	D45924400	1	Cable	
43	D40405400	3	Screw Metric	
44	D41087500	3	Locknut	
45	D28760913	2	Bolt	
46	D41010800	2	Nut Metric	
47	D28980940	1	Handle	
48	D46137200	1	Muff	
49	D43001500	2	Greaser	
50	D41010800	1	Nut Metric	
51	D46137300	1	Bush	
52	D28800460	3	Spring	
53	D28181013	2	Fitting	
54	D45905400	1	Fork	
55	D45905500	1	Bolt	
56	D28780870	1	Bracket	
57	D28710853	1	Spring	
58	D28181226	1	Retainer	F.48087
59	D28181225	1	Elbow	F.48087
60	D40404900	4	Screw Metric	
61	D41013500	4	Nut	
62	D20400537	2	Spacer	
63	D43360500	2	Bush	
64	D40696400	8	Screw	



MASSEY FERGUSON**MF 38 COMBINE, ->| 47597 - 1810921A****1810921A****12-3****REAR AXLE**

Item	Part Number	Qty	Description	Comments
1	D28180359	1	Rear Axle	(H5)
	D28180860	1	Rear Axle	
2	D43339500	4	Lining	
3	D42640500	2	Bush	
4	D46725400	1	Steering Spindle	T.48004 Right Hand
4	D46726200	1	Spindle	F.48005
5	D41668200	1	Bearing Needle	
6	D28150131	1	Washer	
7	D42599000	1	Washer	
8	D42502800	1	Circlip	
9	D43001500	1	Greaser	
10	D45745700	1	Cover	
11	D46725500	1	Spindle	T.48004 Left Hand
11	D46726300	1	Spindle	F.48005
12	D28180880	1	Bolt	
13	D42610600	1	Tensioner	
14	D42616900	1	Tensioner	
15	D42625800	1	Tensioner	
16	D41405900	2	SPLIT PIN	
17	D45085600	2	Reflector	
18	D28182115	4	Washer	
20	D28180052	1	Casing	
24	D28150801	1	Fork	
25	D28150802	1	Bolt	
26	D41446200	1	Pin	
27	D40430900	4	HEXAGON SCREW	
28	D41011000	4	Nut	
29	D45907400	1	Coupler	
30	D45481700	2	O Ring	(H5) NARROW TRACK GANGE



ti

MASSEY FERGUSON

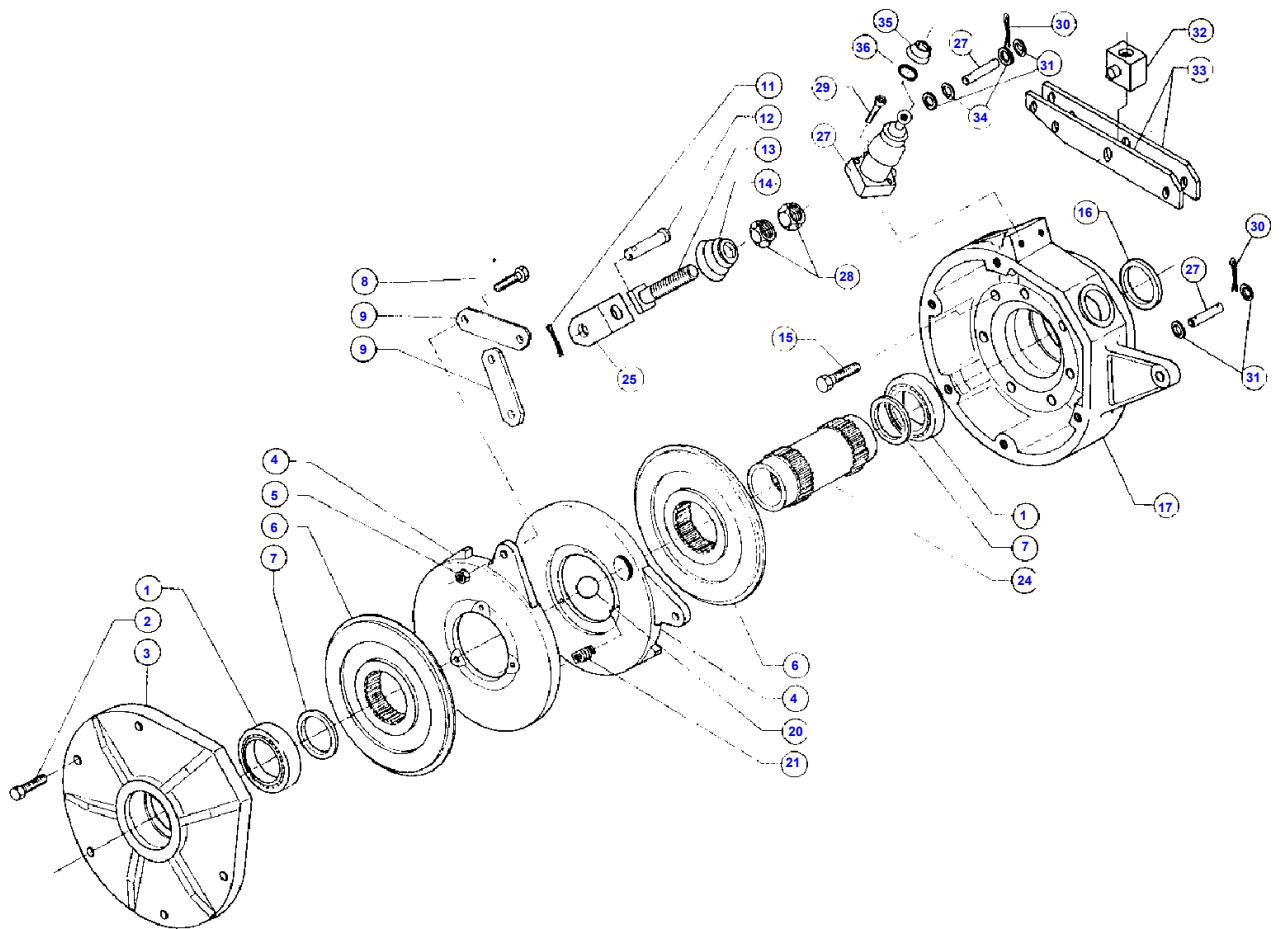
MF 38 COMBINE, ->| 47597 - 1810921A

1810921A

12-4

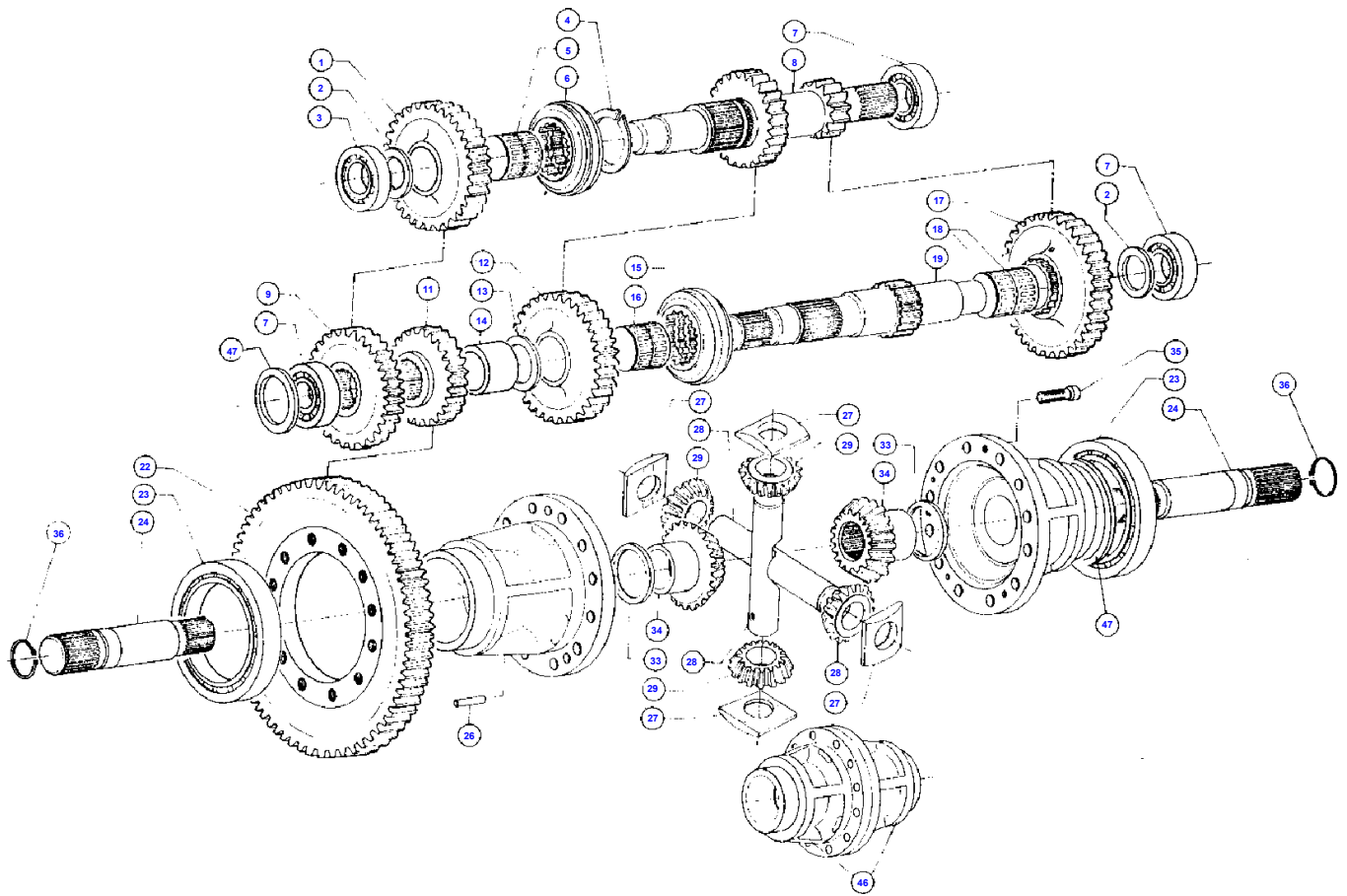
STEERING WHEEL

Item	Part Number	Qty	Description	Comments
1	D28151301	1	Ram	
	D45100025	1	Ram	
2	D41405900	2	SPLIT PIN	
3	D45900200	1	Conrod	
	D45900900	1	Rod	(H5)
4	D45901500	2	Cap	
5	D41405900	2	SPLIT PIN	
6	D20400429	2	Washer	
7	D41048600	2	Castle Nut	
8	D46725400	1	Steering Spindle	T.48004 Right Hand
8	D46726200	1	Spindle	F.48005
9	D46725500	1	Spindle	T.48004 Left Hand
9	D46726300	1	Spindle	F.48005
	D28180807	1	Steering Wheel	POS. 10-12 Right Hand
	D28180808	1	Steering Wheel	POS. 10-12 Left Hand
10	D28180602	1	Rim	
11	D46735400	1	Tyre	
12	D46749400	1	Hose	
13	D46722400	1	Hub	T.48004
	D46726400	1	Housing	F.48005
14	D41661700	1	Bearing Assy	F.48005
	D41662900	1	Bearing Roller	T.48004
15	D41662700	1	Bearing Roller	
16	D45408800	1	Gasket	
17	D46727300	1	Plate	
18	D46723300	1	Cover	
19	D41048200	1	Nut	
20	D41415200	1	Pin	
21	D43000300	1	Greaser	
22	D46728400	6	Bolt	
23	D41111600	6	Circlip	
24	D45901000	1	Toggle	
25	D41048800	2	Nut	
	D28181079	1	Steering Wheel	(F0) POS. 26-28 600/50 X 22,5
	D28181080	1	Steering Wheel	(F1) POS. 26-28 600/50 X 22,5
26	D28181081	1	Rim	
27	D46736000	1	Tyre	
28	D46738300	1	Tube	
29	D45933900	2	Cap	
30	D45100092	1	Cylinder Rod	PACOMA
31	D45250800	2	Union	
32	D45707900	2	Cap	
33	D45933500	1	Toggle	
34	D42605100	1	TIGHENING PIN	
35	D41043000	1	Nut Metric	
36	D45933600	1	Toggle	
37	D45100078	1	Kit,Joint/Gasket	PACOMA
	D45110018	1	Kit, Joint	PPT (F0) Right Hand (F1) Left Hand (H5) NARROW TRACK GANGE



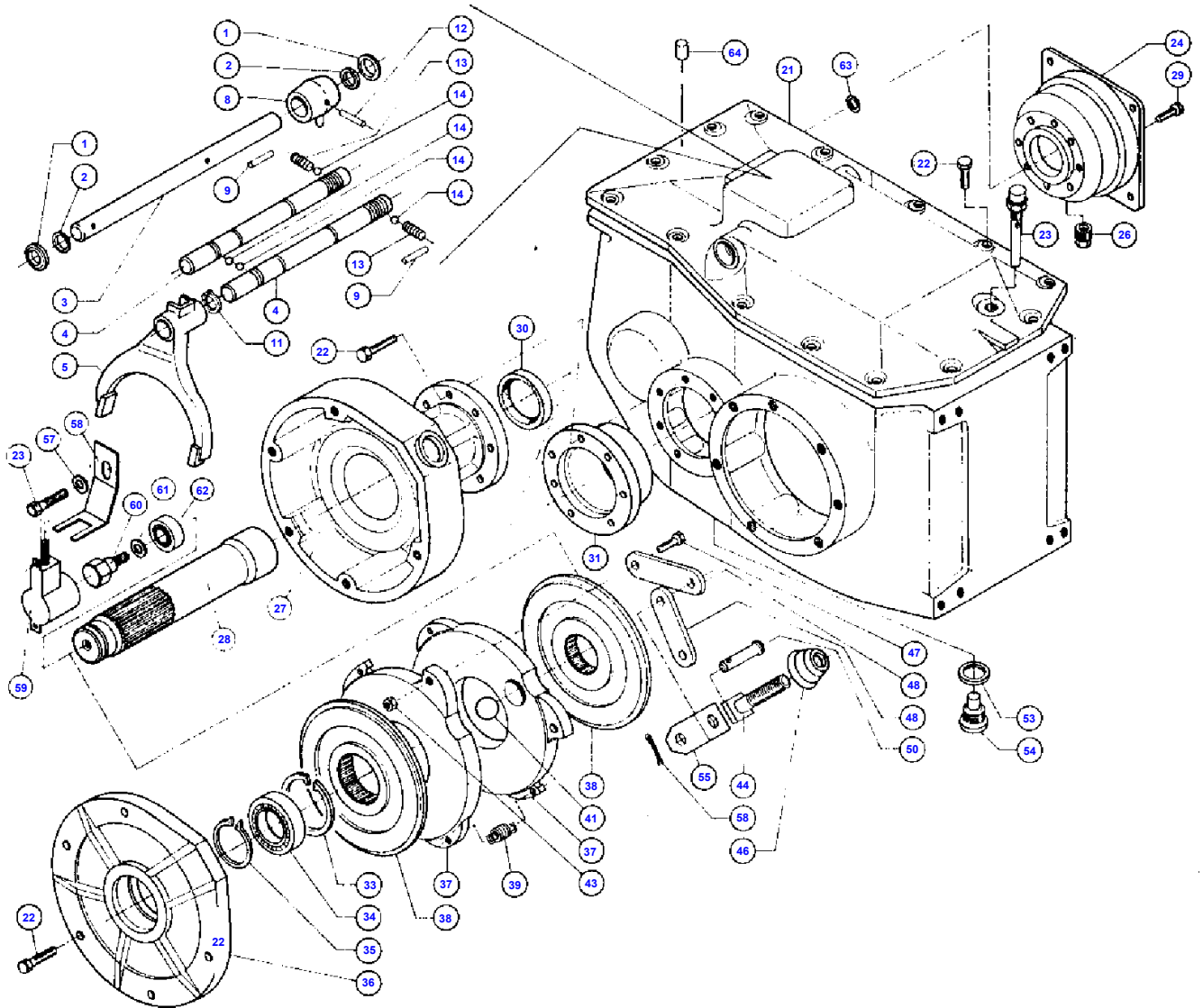
MASSEY FERGUSON**MF 38 COMBINE, ->| 47597 - 1810921A****1810921A****12-5****WORKING BRAKE**

Item	Part Number	Qty	Description	Comments
1	D41614900	4	Bearing	
2	D40411100	10	HEXAGON SCREW	DMB
	D40439800	10	Nut	COB.
3	D46100678	2	Cover	
4	D46100679	4	Washer	
5	D41012000	4	Nut Metric	
6	D46100681	4	Disc	
7	D46100682	4	Washer	
8	D46100683	4	Screw	
9	D46100684	4	Tensioner	
10	D41402800	2	SPLIT PIN	
11	D41402800	2	SPLIT PIN	
12	D46100686	2	Cotter	
13	D46100687	2	Tensioner	
14	D46100688	2	Bellows	
15	D40407900	14	Screw Metric	DMB
	D40439400	14	Screw	COB.
16	D45408700	2	Gasket	
17	D46100691	2	Housing	
20	D46100754	6	Ball	
21	D46100693	6	Spring	
24	D46100694	2	Sleeve	
25	D46100695	2	Head	
26	D40689100	4		
27	D46100773	2	Cylinder	
28	D41010900	4	Nut Metric	
29	D46100769	4	Bolt	
30	D41404400	8	SPLIT PIN	
31	D20400409	8	Washer	
32	D46100765	2	Link	
33	D46100766	4	Arm	
34	D46100771	4	Washer	
35	D46173200	1	Bellows	
36	D45481900	2	O Ring	



GEAR BOX 2

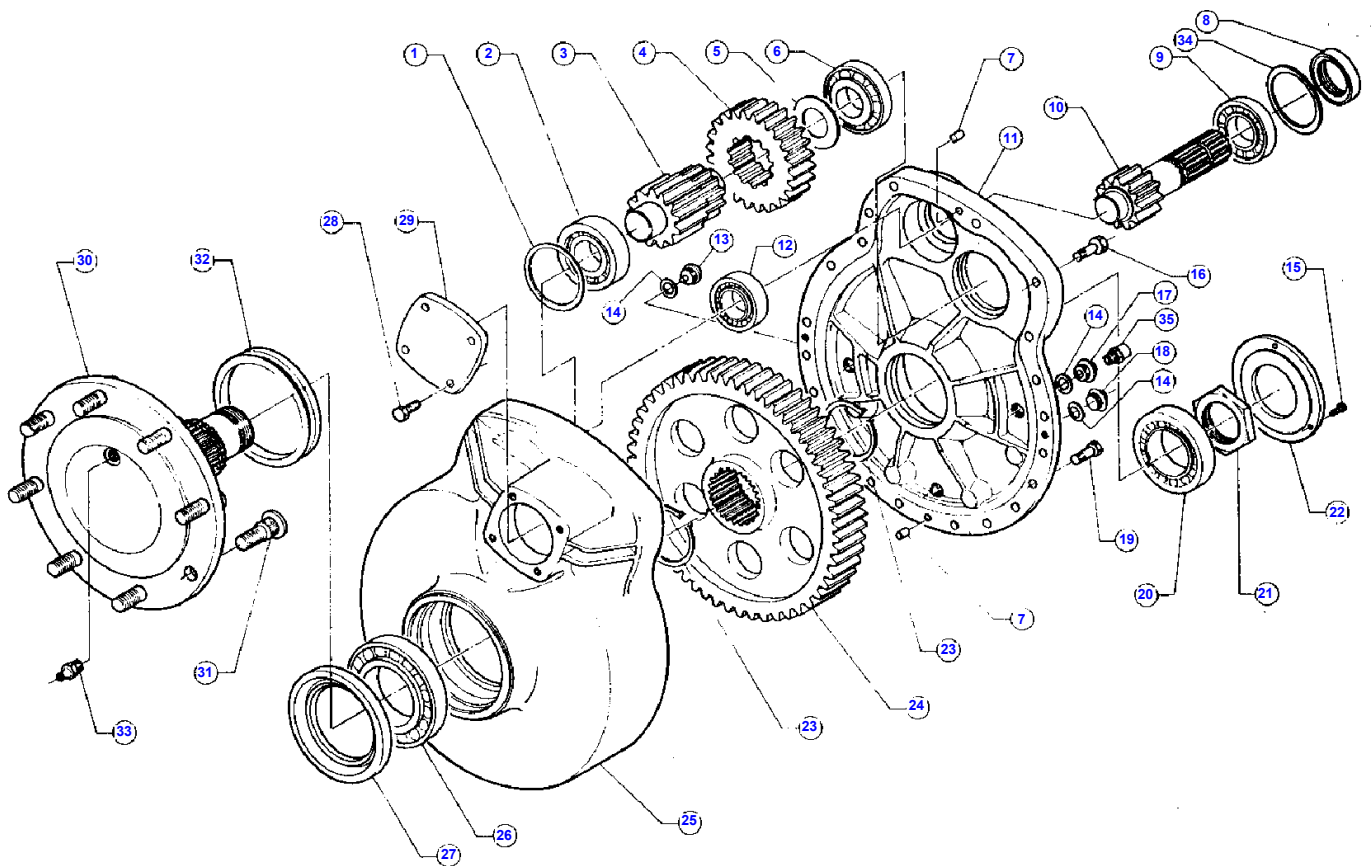
Item	Part Number	Qty	Description	Comments
1	D46100696	1	Gear	
2	D41651500	2	Washer	
3	D41637000	1	Bearing Assy	
4	D42508900	1	Clip	
5	D41650000	1	Bearing Assy	
6	D46100701	1	Sleeve	
7	D41636600	3	Bearing Assy	
8	D46100703	1	Shaft	
9	D46100704	1	Gear	
11	D46100705	1	Gear	
12	D46100706	1	Gear	
13	D41651600	1	Washer	
14	D46100708	1	Spacer	
15	D46100709	1	Sleeve	
16	D41650200	1	Bearing Assy	
17	D46100711	1	Gear	
18	D41650100	2	Bearing Assy	
19	D46100713	1	Shaft	
22	D46100714	1	Gear	
23	D41614400	2	Bearing Ball	
24	D46100716	2	Shaft	
26	D42609400	2		
27	D46100718	4	Washer	
28	D46100719	2	Bolt	
29	D46100720	4	Drive Pinion	
33	D46100722	2	Washer	
34	D46100723	2	Gear	
35	D40900086	12	Screw	
36	D42504000	2	Circlip	DMB
	D42508500	2	Clip	COB.
46	D46100725	1	Housing	
47	D46173700		Spacer	(5)
	D46173800		Spacer	(5)
48	D46173500		Spacer	(5)
	D46173600		Spacer	(5)
				OPTIONAL



5

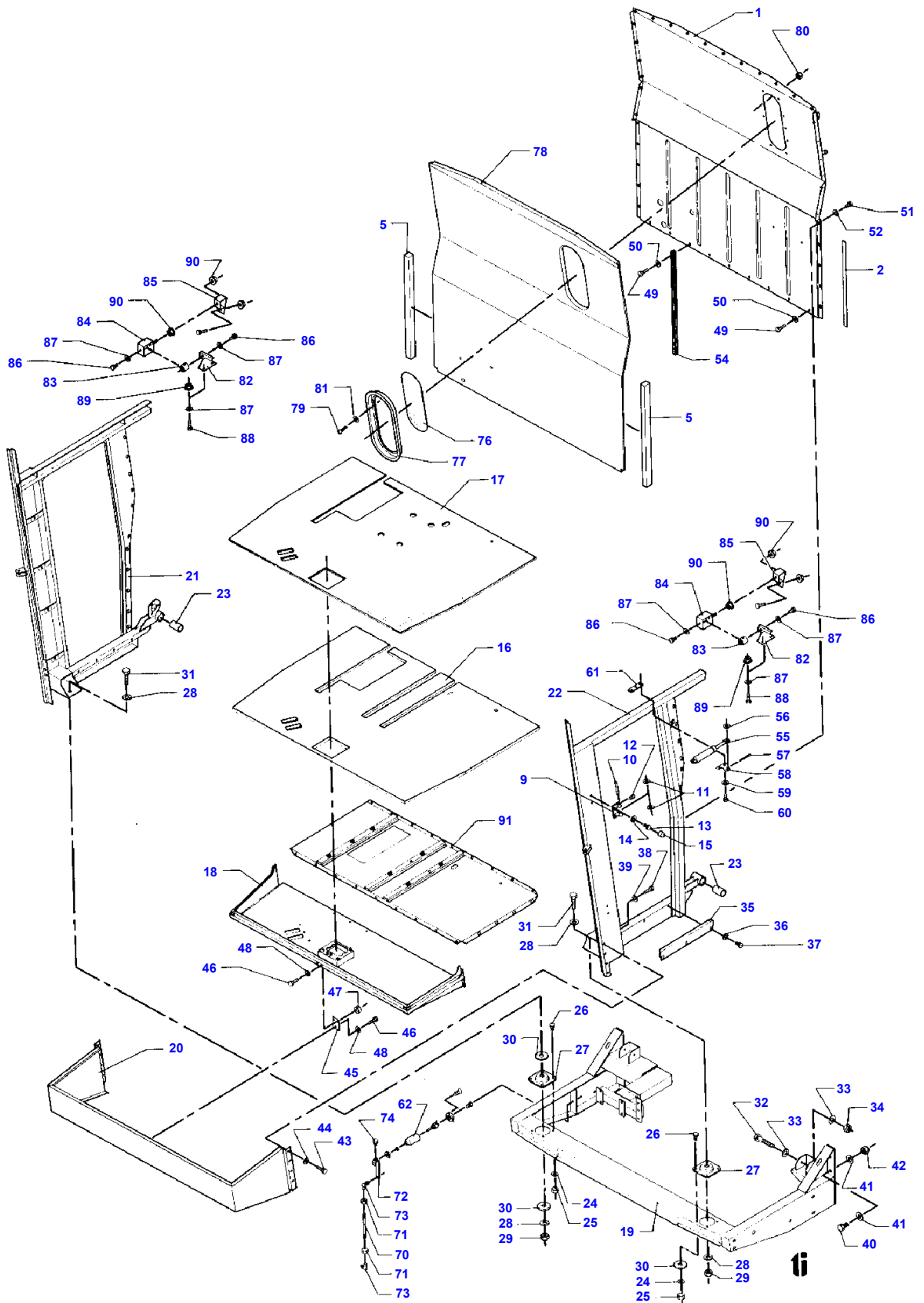
MASSEY FERGUSON**MF 38 COMBINE, -> 47597 - 1810921A****1810921A****GEAR BOX 3 - PARKING BRAKE****12-7**

Item	Part Number	Qty	Description	Comments
				PARKING BRAKE
1	D45405900	2	Seal	
2	D45462700	2	Gasket	
3	D46100728	1	Fork	
4	D46100729	2	Shaft	
5	D46100730	2	Fork	
8	D46100731	1	Hub	
9	D42601100	2	TIGHENING PIN	
11	D46100357	4	Circlip	
12	D42609700	1	Pin	
13	D46100735	2	Spring	
14	D46100736	4	Ball	
21	D46100737	1	Cover	
22	D40407900	27	Screw Metric	DMB
	D40439400	27	Screw	COB.
23	D46100739	1	Screw	
24	D46100740	1	Flange	
26	D45236500	1	Plug	
27	D46100742	1	Housing	
28	D46100743	1	Shaft	
29	D40408100	7	HEXAGON SCREW	DMB
	D40439500	7	HEXAGON SCREW	COB.
30	D45408700	1	Gasket	
31	D46100746	1	Flange	
33	D42514500	1	Circlip	
34	D41617100	1	Bearing Assy	
35	D42503300	1	Circlip	
36	D46100750	1	Cover	
37	D46100751	2	Washer	
38	D46100752	2	Brake Disc	
39	D46100753	2	Spring	
41	D46100754	3	Ball	
43	D41010700	2	Nut Metric	
44	D46100756	1	Bolt	
45	D41402800	1	SPLIT PIN	
46	D46100688	1	Bellows	
47	D46100759	2	Screw	
48	D46100760	2	Tensioner	
50	D46100761	1	Cotter	
53	D45201900	1	Packing	
54	D46100764	1	Plug	
55	D46100774	1	Head	
57	D20400419	2	Washer	T.48086
58	D28780691	1	Retainer	T.48086
59	D28780514	1	Sensor	
60	D28780516	1	Bolt	
61	D20400419	1	Washer	
62	D41622600	1	Bearing Ball	
63	D46173300		Spacer	(5)
	D46173400		Spacer	(5)
64	D46134000	2	Pin	DMB
				(5)
				OPTIONAL



SIDE PINIONS

Item	Part Number	Qty	Description	Comments
1	D46135600		Washer	(5)
	D46135700		Washer	(5)
	D46135800		Washer	(5)
	D46135900		Washer	(5)
2	D41668100	1	Bearing Assy	
3	D46136700	1	Shaft	
4	D46136500	1	Gear	
5	D46136000	1	Washer	
6	D41668800	1	Bearing Assy	
7	D46134000	2	Pin	
8	D45408700	1	Gasket	
9	D41636800	1	Bearing Assy	
10	D46136600	1	Shaft	
12	D41636700	1	Bearing Assy	
13	D46135400	1	Plug	
14	D45232700	3	Gasket	
15	D40688400	3	Screw	
16	D40431200	5	Screw Metric	
17	D46135300	1	Plug	
18	D45236600	1	Plug	
19	D40413900	16		
20	D41669300	1	Bearing Assy	
21	D46139300	1	Nut	
22	D46139100	1	Cover	
23	D42509300	2	Clip	
24	D46136400	1	Gear	
26	D41669900	1	Bearing Assy	
27	D46134800	1	Seal	
28	D40411000	4	HEXAGON SCREW	
29	D46139200	1	Cover	
30	D46139000	1	Shaft	
31	D46133900	8	Bolt	
32	D45479700	1	Ring	
33	D43004600	1	Grease Nipple	
34	D46125700		Washer	(5)
	D46171900		Spacer	(5)
35	D46116500	1	Valve	(5)
				OPTIONAL

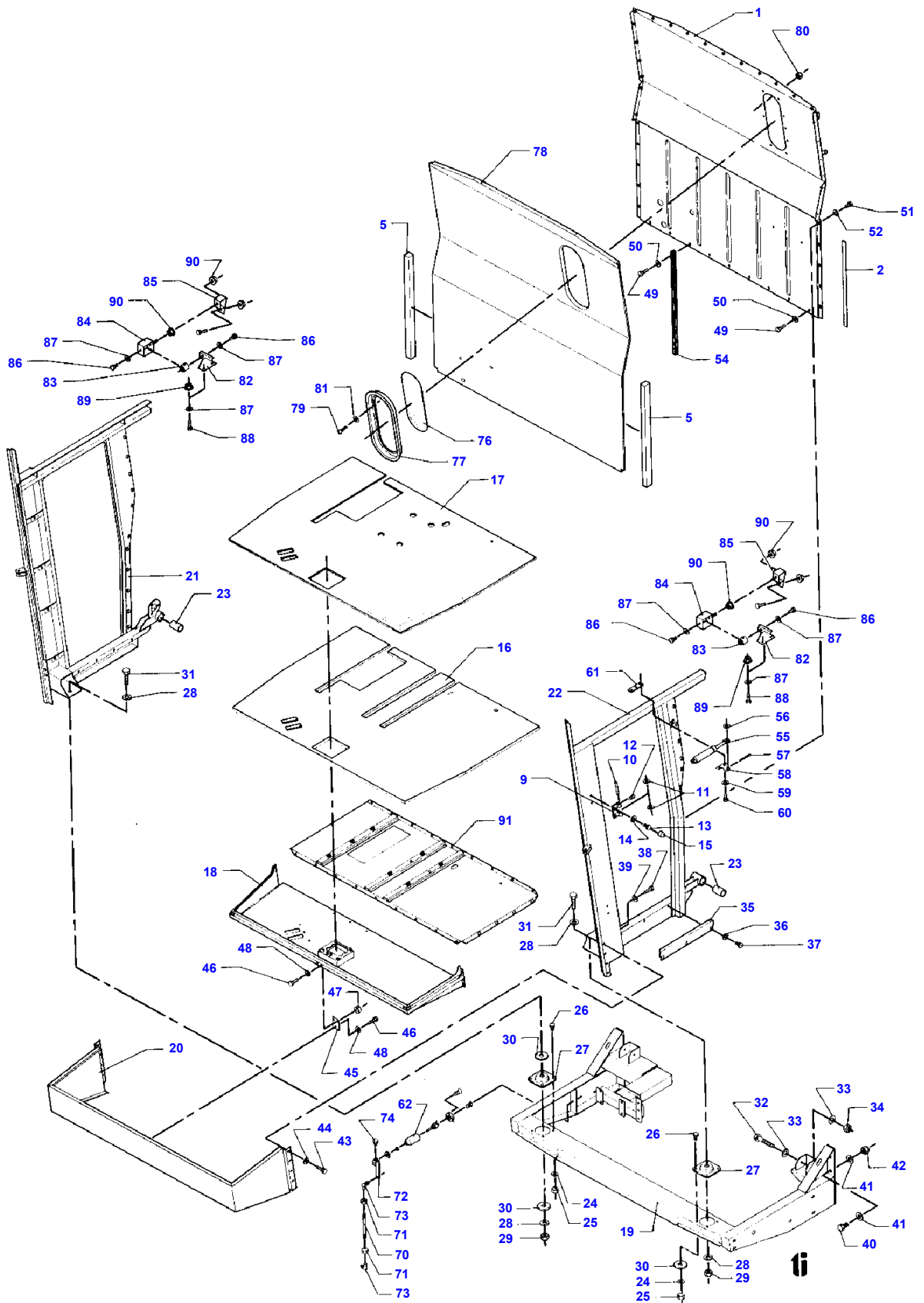


DRIVER CABIN

Item	Part Number	Qty	Description
1	D28980576	1	Side
2	D28980953	5	Strip
5	D28980853	2	Lining
9	D28980512	2	Hinge
10	D42694100	2	Pin
11	D43406400	4	Washer
12	D40630100	4	Pin
13	D40407700	4	Screw
14	D20400419	4	Washer
15	D45744700	4	Protector
16	D28980780	1	Plate
17	D28980779	1	Plate
18	D28980528	1	Frame
19	D28980575	1	Suspension
20	D28980910	1	Front
21	D28980539	1	Frame
22	D28980546	1	Frame
23	D46480600	2	Damper
24	D20400506	8	Spacer
25	D41087500	8	Locknut
26	D40405000	8	Screw Metric
27	D46480400	2	Damper
28	D20400429	4	Washer
29	D41087800	2	Locknut
30	D20400460	3	Washer
31	D40431500	2	Screw Metric
32	D40437700	2	Screw
33	D20400441	4	Washer
34	D41088100	2	Locknut
35	D28980926	1	Strip
36	D20400506	3	Spacer
37	D40404700	3	Screw Metric
38	D40407700	6	Screw
39	D20400471	6	Washer
40	D40430900	8	HEXAGON SCREW
41	D20400430	16	Washer
42	D41087800	8	Locknut
43	D40749100	8	Screw Metric
44	D20400466	8	Washer
45	D28980903	1	Wearplate
46	D40404700	3	Screw Metric
47	D41013500	2	Nut
48	D20400506	3	Spacer
49	D40404700	9	Screw Metric
50	D20400506	9	Spacer
51	D40402300	31	HEXAGON SCREW
54	D28760642	1	Earth Strap
55	D45061800	1	Cylinder
56	D20400500	2	Spacer
57	D41405700	2	SPLIT PIN
58	D28980456	1	Bracket
59	D20400470	3	Washer
60	D40402600	3	Screw Metric
61	D28980571	1	Threaded Part
62	D28780523	1	Meter
70	D28780446	1	Rod
71	D41010600	2	Nut
72	D28780845	1	Stem
73	D46437300	2	Toggle
74	D40402400	1	Screw Metric
76	D28980222	1	Window
77	D28980050	1	Frame
78	D28981048	1	Lining
79	D40688000	10	Screw
80	D41087400	10	Locknut
81	D20400404	10	Washer
82	D28980984	2	Bracket
83	D46480700	2	Buffer
84	D28980987	2	Safety Frame
85	D28880301	2	Tensioner

MASSEY FERGUSON**MF 38 COMBINE, ->| 47597 - 1810921A****1810921A****DRIVER CABIN****13-1**

Item	Part Number	Qty	Description
86	D40404700	4	Screw Metric
87	D20400506	8	Spacer
88	D40404900	4	Screw Metric
89	D41013500	4	Nut
90	D41013600	4	Nut
91	D28980647	1	Plate

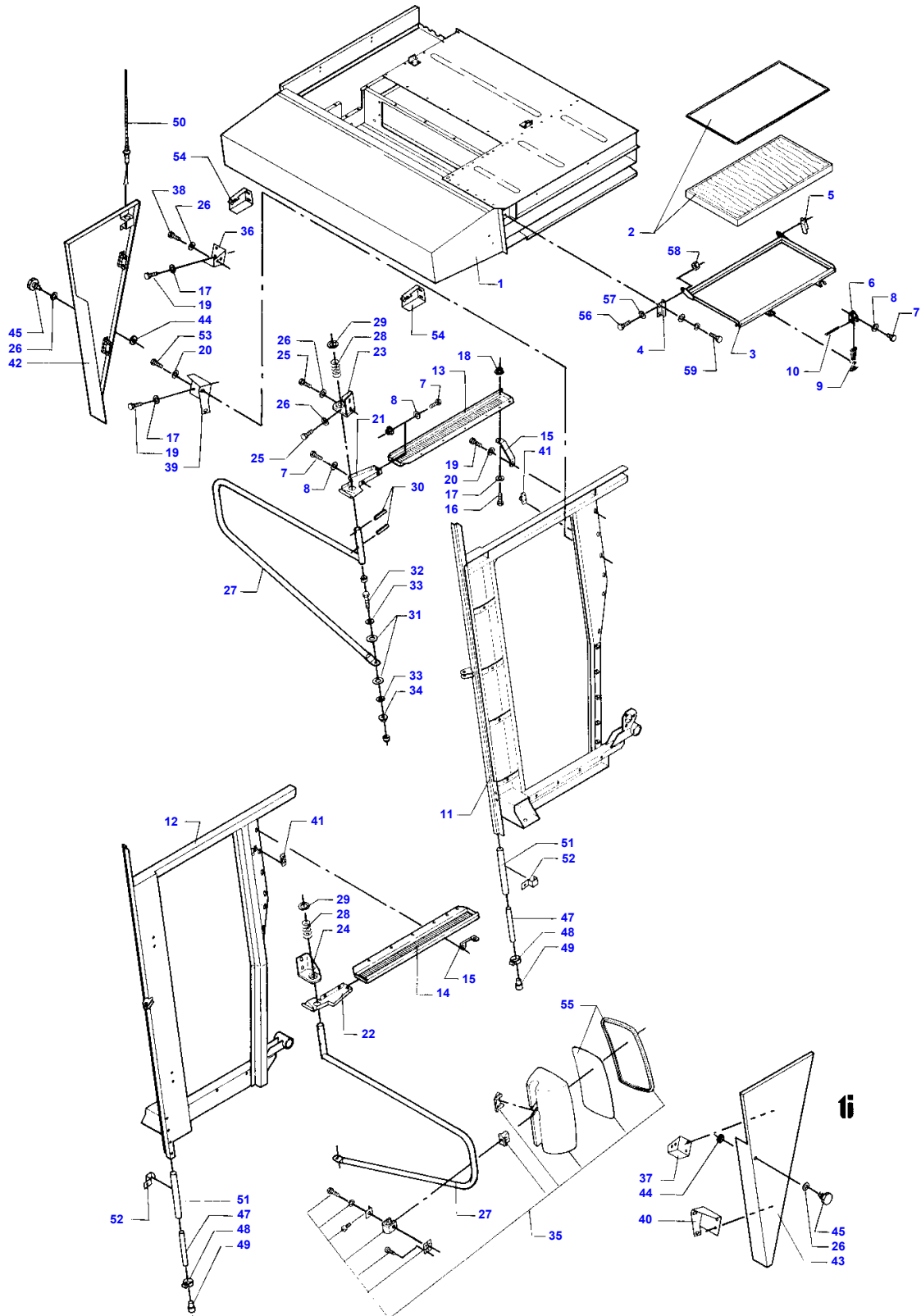


DRIVER CABIN

Item	Part Number	Qty	Description
1	D28980576	1	Side
2	D28980953	5	Strip
5	D28980853	2	Lining
9	D28980512	2	Hinge
10	D42694100	2	Pin
11	D43406400	4	Washer
12	D40630100	4	Pin
13	D40407700	4	Screw
14	D20400419	4	Washer
15	D45744700	4	Protector
16	D28980780	1	Plate
17	D28980779	1	Plate
18	D28980528	1	Frame
19	D28980575	1	Suspension
20	D28980910	1	Front
21	D28980539	1	Frame
22	D28980546	1	Frame
23	D46480600	2	Damper
24	D20400506	8	Spacer
25	D41087500	8	Locknut
26	D40405000	8	Screw Metric
27	D46480400	2	Damper
28	D20400429	4	Washer
29	D41087800	2	Locknut
30	D20400460	3	Washer
31	D40431500	2	Screw Metric
32	D40437700	2	Screw
33	D20400441	4	Washer
34	D41088100	2	Locknut
35	D28980926	1	Strip
36	D20400506	3	Spacer
37	D40404700	3	Screw Metric
38	D40407700	6	Screw
39	D20400471	6	Washer
40	D40430900	8	HEXAGON SCREW
41	D20400430	16	Washer
42	D41087800	8	Locknut
43	D40749100	8	Screw Metric
44	D20400466	8	Washer
45	D28980903	1	Wearplate
46	D40404700	3	Screw Metric
47	D41013500	2	Nut
48	D20400506	3	Spacer
49	D40404700	9	Screw Metric
50	D20400506	9	Spacer
51	D40402300	31	HEXAGON SCREW
54	D28760642	1	Earth Strap
55	D45061800	1	Cylinder
56	D20400500	2	Spacer
57	D41405700	2	SPLIT PIN
58	D28980456	1	Bracket
59	D20400470	3	Washer
60	D40402600	3	Screw Metric
61	D28980571	1	Threaded Part
62	D28780523	1	Meter
70	D28780446	1	Rod
71	D41010600	2	Nut
72	D28780845	1	Stem
73	D46437300	2	Toggle
74	D40402400	1	Screw Metric
76	D28980222	1	Window
77	D28980050	1	Frame
78	D28981048	1	Lining
79	D40688000	10	Screw
80	D41087400	10	Locknut
81	D20400404	10	Washer
82	D28980984	2	Bracket
83	D46480700	2	Buffer
84	D28980987	2	Safety Frame
85	D28880301	2	Tensioner

MASSEY FERGUSON**MF 38 COMBINE, ->| 47597 - 1810921A****1810921A****DRIVER CABIN****13-1**

Item	Part Number	Qty	Description
86	D40404700	4	Screw Metric
87	D20400506	8	Spacer
88	D40404900	4	Screw Metric
89	D41013500	4	Nut
90	D41013600	4	Nut
91	D28980647	1	Plate

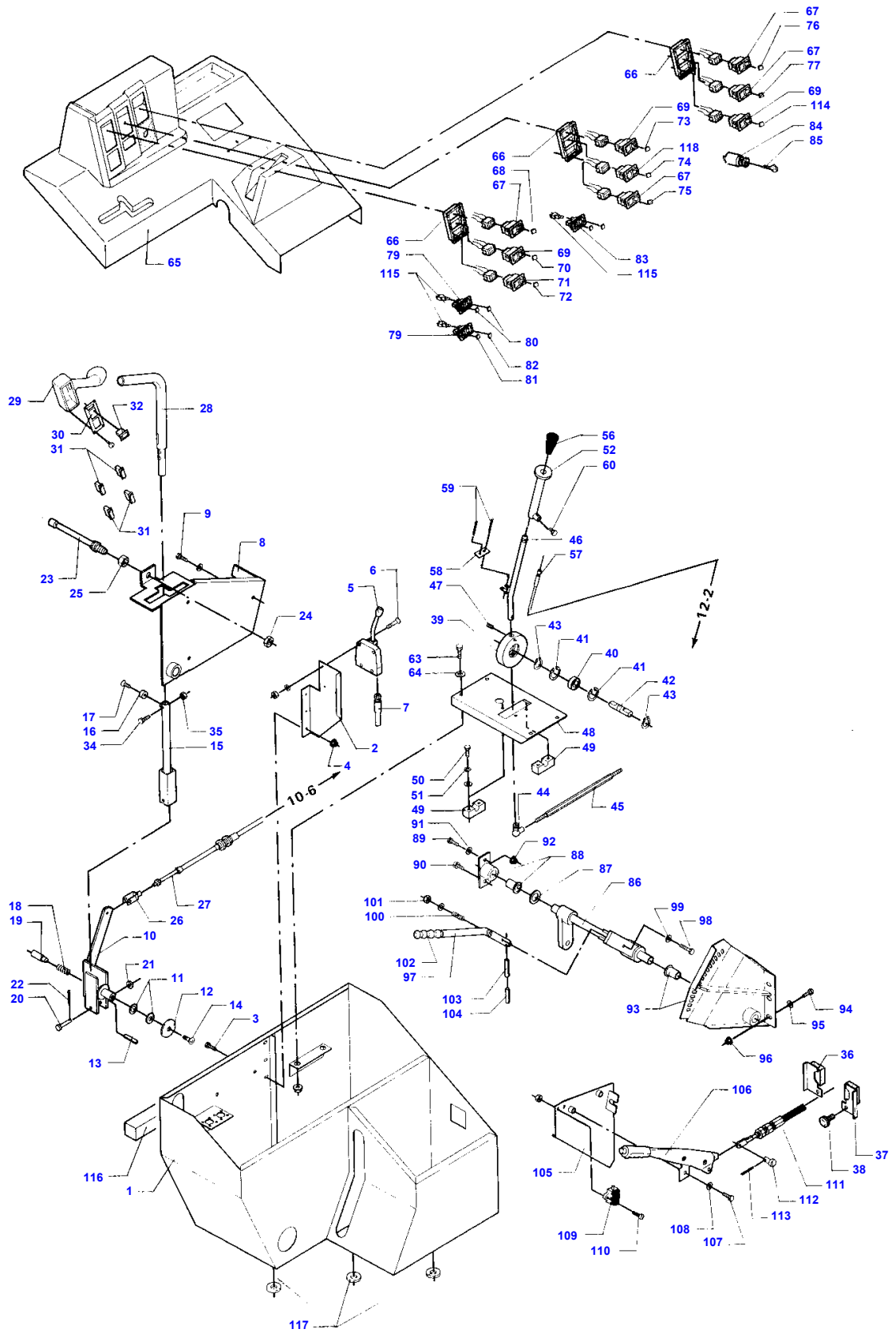


MASSEY FERGUSON**MF 38 COMBINE, ->| 47597 - 1810921A****1810921A****13-2****CAB ROOF WITH SIDE MEMBERS**

Item	Part Number	Qty	Description	Comments
1	D28980704	1	Roof	
2	D28980100	1	Cab Filter	
3	D28980715	1	Frame	
4	D28980713	1	Hinge	
5	D28980714	1	Hinge	
6	D28130287	2	Retainer	
7	D40402400	10	Screw Metric	
8	D20400470	10	Washer	
9	D44737100	2	Rubber Strap	
10	D41411100	2	SPLIT PIN	
11	D28980539	1	Frame	
12	D28980546	1	Frame	
13	D28980891	1	Intake	
14	D28980892	1	Intake	
15	D28980890	2	Stay	
16	D40402600	2	Screw Metric	
17	D20400453	6	Washer	
18	D41013400	2	Nut	
19	D40402400	6	Screw Metric	
20	D20400470	2	Washer	
21	D28980952	1	Guard	
22	D28980951	1	Guard	
23	D28980758	1	Bracket	Right Hand
24	D28980757	1	Bracket	Left Hand
25	D40405000	6	Screw Metric	
26	D20400506	12	Spacer	
27	D28980762	2	Arm	
28	D28760286	2	Spring	
29	D20400531	2	Spacer	
30	D42662500	4	Pin	
31	D28980752	4	Washer	
32	D40423600	2	HEXAGON SCREW	
33	D20400500	4	Spacer	
34	D41087400	2	Locknut	
35	D45086300	2	Mirror	
36	D28981038	1	Mounting	+F.45867
37	D28981037	1	Mounting	+F.45867
38	D40404700	4	Screw Metric	
39	D28981040	1	Mounting	+F.45867
40	D28981039	1	Mounting	+F.45867
41	D28981045	2	Support	+F.45867
42	D28981046	1	Cowl	
43	D28981047	1	Cowl	
44	D28981044	2	Washer	+F.45867
45	D43385300	2	Screw	
47	D45702100		Hose	5,5M
48	D45726900	2	Clip	
49	D45092000	2	Valve	
50	D45086600	1	Aerial Long	
51	D45703700		Hose	0,600 M
52	D28981051	2	Retainer	
53	D40402300		HEXAGON SCREW	
54	D28980783	2	Hinge	
55	D45083300	1	Window	
56	D40404900	2	Screw Metric	
57	D20400500	2	Spacer	
58	D41087500	2	Locknut	
59	D40404700	4	Screw Metric	
60	D20400506	4	Spacer	

MASSEY FERGUSON**MF 38 COMBINE, ->| 47597 - 1810921A****1810921A****BRAKE PEDALS AND GEARSHIFT****13-3**

Item	Part Number	Qty	Description	Comments
1	D28980528	1	Frame	
2	D28980663	1	Bracket	
3	D28980677	1	Brake Lever	
4	D43364800	4	Bush	
5	D42609000	3	TIGHENING PIN	
6	D28980676	1	Brake Lever	
7	D28750436	1	Shaft	
8	D28740948	1	Spacer	
9	D43319300	4	Bush	
10	D41411100	2	SPLIT PIN	
11	D28800460	2	Spring	
12	D40405300	2	Screw	
13	D45908000	2	Cylinder	
14	D41012000	2	Nut Metric	
15	D45905300	2	Fork Head	
16	D40405000	4	Screw Metric	
17	D45905500	2	Bolt	
18	D45905600	2	Washer	
19	D41405900	2	SPLIT PIN	
20	D45908100	1	Cylinder	
21	D40404700	1	Screw Metric	
22	D20400506	1	Spacer	
23	D45908400	1	Connector	
24	D45908500	1	Screw	
25	D45713600	1	Gasket	
26	D45713700	1	Gasket	
27	D28780948	1	Washer	
28	D45908300	1	Switch	
29	D28980948	1	Pipe	
30	D28980947	1	Pipe	Left Hand
31	D40063600	6	Screw Metric	
32	D41013500	6	Nut	
33	D28980955	1	Pipe	
34	D28980946	1	Pipe	
35	D28980944	1	Pipe	Right Hand
36	D28980945	1	Pipe	Left Hand
37	D28751844	1	Base Plate	
38	D28751845	1	Base Plate	
39	D40405100	2	Screw Metric	
40	D20400506	2	Spacer	
41	D41013500	2	Nut	
42	D28751843	1	Pawl	
43	D44719500	2	Rubber	
44	D28980776	1	Plate	
45	D28980777	1	Plate	
46	D28980811	1	Frame	
47	D28751796	1	Bellows	
48	D40742800	5	Screw	
49	D28980801	1	Shaft	
50	D41713600	2	Flange	
51	D46436200	1	Connector	
52	D41010800	1	Nut Metric	
53	D40405000	6	Screw Metric	
54	D41013500	6	Nut	
55	D42609500	1	Pin	
56	D28980804	1	Arm	
57	D28980805	1	Rod	
59	D28980696	1	Support	
60	D40404900	2	Screw Metric	
61	D20400506	2	Spacer	
62	D41013500	2	Nut	
63	D28980684	1	Cover	
64	D44735300		Gasket	1,55 M
65	D46439500	1	Cable	



MASSEY FERGUSON**MF 38 COMBINE, ->| 47597 - 1810921A****1810921A****INSTRUMENT PANEL, CONTROL BOX****13-4**

Item	Part Number	Qty	Description	Comments
1	D28980082	1	Control Box	
2	D28980144	1	Bracket	
3	D40402400	3	Screw Metric	
4	D41013400	3	Nut	
5	D46415200	1	Lever	
6	D40317500	4	Screw Metric	
7	D46439300	1	Cable	
8	D28981131	1	Console	
9	D40404700	3	Screw Metric	
10	D28980094	1	Hub	
11	D43319300	2	Bush	
12	D28750915	1	Brake Disc	
13	D42601000	1	TIGHENING PIN	
14	D40608800	1	Screw Metric	
15	D28980592	1	Handle	
16	D45010092	1	Magnet	
17	D40316400	1	Screw Metric	
18	D28980356	1	Spring	
19	D28980093	1	Plate	
20	D45906000	1	Pin	
21	D20400507	1	Spacer	
22	D41405800	1	Pin	
23	D28780380	1	Pipe	
24	D41012300	1	HEXAGON SCREW	
25	D41011100	1	Nut	
26	D46438700	1	Fork	
27	D46439000	1	Cable	
	D28980943	1	Handle	P.28-33
28	D28980590	1	Handle	
29	D28980686	1	Handle	
30	D28980659	1	Plate	
31	D45060029	4	Switch	
32	D45060030	1	Switch	
33	D40740200	4	Screw	
34	D40421800	1	HEXAGON SCREW	
35	D41087400	1	Locknut	
39	D28980790	1	Bearing Housing	
40	D41622500	1	Bearing Ball	
41	D42512900	2	Circlip	
42	D28980789	1	Shaft	
43	D42501300	2	Circlip	
44	D46436200	1	Connector	
45	D28980805	1	Rod	
46	D28980793	1	Rocker	
47	D42609100	1	Pin	
48	D28980809	1	Plate	
49	D28980788	1	Retainer	
50	D40405100	4	Screw Metric	
51	D20400506	4	Spacer	
52	D28981083	1	Selector	+F.46600
56	D43383800	1	Handle	
57	D46439400	1	Cable	
58	D28730779	1	Locking Plate	
59	D41405700	2	SPLIT PIN	
60	D40402200	1	Screw Metric	
63	D40407700	4	Screw	
64	D20400419	4	Washer	
65	D28980649	1	Cover	
66	D45060016	3	Frame	
67	D45060002	4	Switch	
68	D28751654	1	Decal	
69	D45065000	2	Switch	
70	D28751652	1	Decal	
71	D45065000	1	Switch	
72	D45060007	1	Decal	
73	D28751659	1	Decal	
74	D28751656	1	Decal	
75	D28950520	1	Decal	
76	D45060009	1	Decal	
77	D45082100	1	Sign	

MASSEY FERGUSON**MF 38 COMBINE, ->| 47597 - 1810921A****1810921A****INSTRUMENT PANEL, CONTROL BOX****13-4**

Item	Part Number	Qty	Description	Comments
79	D45060014	3	Lamp	
80	D45060013	2	Decal	
81	D45060012	1	Decal	
82	D45063800	1	Plate	
83	D45060011	2	Decal	
84	D45089800	1	Switch	
85	D45060040	1	Ignition Key	
86	D28980658	1	Shaft	
87	D43319300	1	Bush	
88	D28980640	1	Bearing	
88	D43316200	1	Bush	
89	D28980640	1	Bearing	
88	D43316200	1	Bush	
89	D40407700	1	Screw	
90	D40407600	1	Screw	
91	D20400507	2	Spacer	
92	D41013600	1	Nut	
	D28751459	1	Plate	
93	D43317000	1	Bush	
94	D40404900	3	Screw Metric	
95	D20400506	3	Spacer	
96	D41013400	3	Nut	
97	D28980654	1	Lever	
98	D40422300	1	Screw	
99	D20400404	1	Washer	
100	D45666100	1	Spring	
101	D41087400	1	Locknut	
102	D43389700	1	Handle	
103	D42612000	1	TIGHENING PIN	
104	D42605100	1	TIGHENING PIN	
105	D28980685	1	Brake Lever	
106	D45924500	1	Handbrake Assy	
107	D40405100	2	Screw Metric	
108	D20400506	2	Spacer	
109	D45070090	1	Switch	
110	D40352000	2	Screw Metric	
111	D45924400	1	Cable	
112	D45905900	1	Journal	
113	D41402800	1	SPLIT PIN	
114	D45063800	1	Plate	
115	D45065800	3	Light	
116	D44739400	1	List	
117	D28980857	3	Shim	
118	D45060003	1	Switch	+F.47715

MASSEY FERGUSON

MF 38 COMBINE, ->| 47597 - 1810921A

1810921A

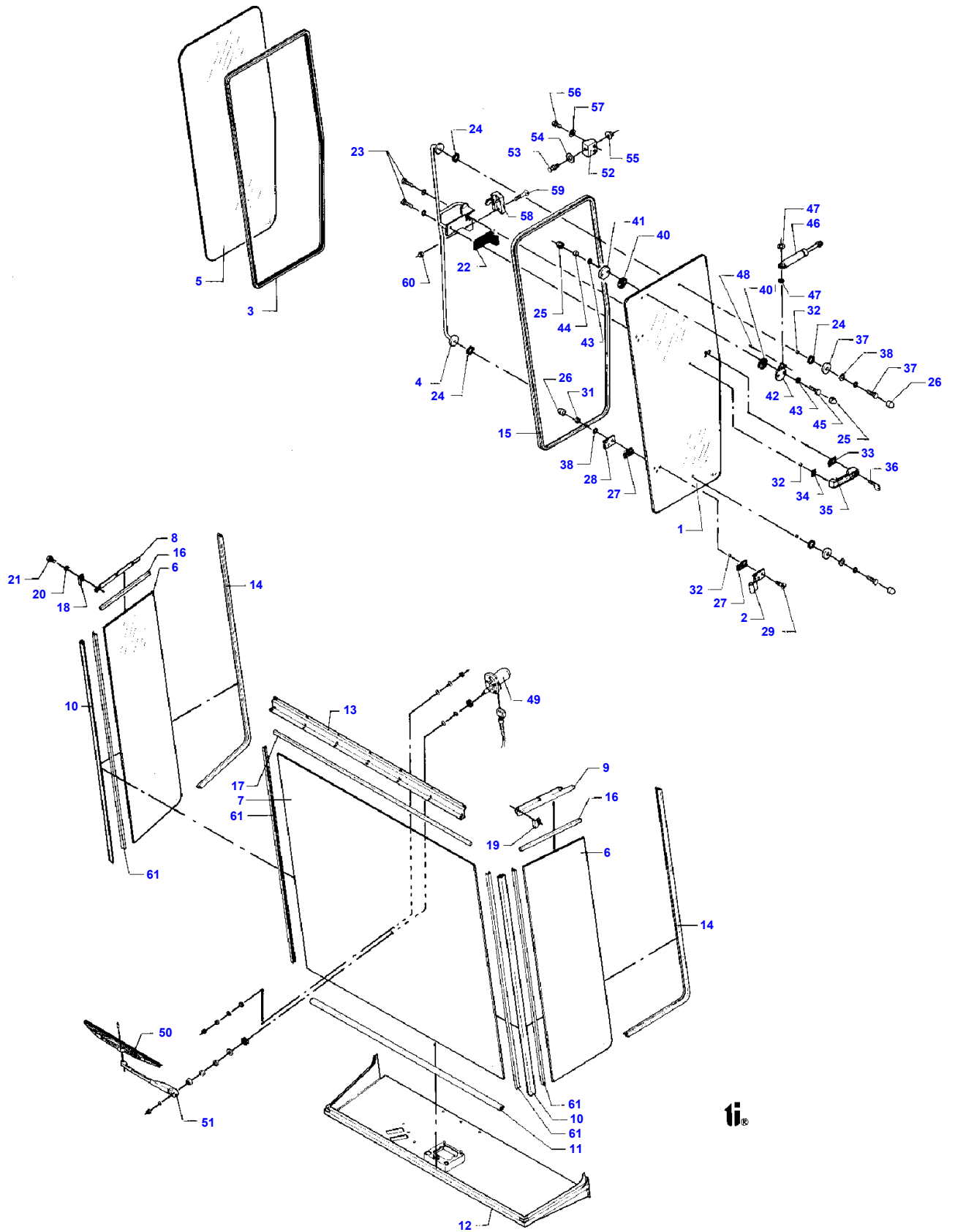
OPERATOR SEAT, STEERING ARRANGEMENT

13-5

Item	Part Number	Qty	Description	Comments
1	D28980608	1	Shaft	
2	D28981103	1	Steering Column	
3	D41616900	1	Bearing Ball	
4	D42513700	1	Circlip	
5	D42502300	1	Circlip	
6	D40609000	2	Pin	
7	D28760755	1	Journal	
8	D43101100	1	Key	
9	D45900300	1	Steering Wheel	
10	D20400438	1	Washer	
11	D41091200	1	Locknut	
12	D45900600	1	Cap	
13	D45900800	1	Handle	
14	D46437900	1	Bellows	
15	D28980671	1	Bellows	
16	D45114400	1	Valve Block	
17	D45089500	1	Manometer	T.48012
18	D45276800	1	Connector	
19	D28980410	1	Pipe	
20	D45130024	1	Hydr Hose	
21	D45276900	1	Packing Ring	
22	D41033700	1	Locknut	T.48012
23	D28980604	2	Bearing	
24	D28980593	2	Plate	
25	D40407600	4	Screw	
26	D28981105	1	Cover	+F.48013
27	D28981104	1	Cover	+F.48013
28	D28981101	2	Rod	
29	D40742000	4	Screw	
30	D28980612	1	Rod	
31	D20400429	1	Washer	
32	D41087800	1	Locknut	
33	D28980605	2	Brake Lining	
34	D28980630	1	Lever	
35	D28981027	1	Spring	
36	D28980609	2	Guide	
37	D41087800	2	Locknut	
38	D28980616	1	Pedal	
39	D44719900	1	Rubber	
40	D40414500	1	Screw	
41	D20400429	1	Washer	
42	D45019600	1	Switch	
43	D40351900	1	Screw	
44	D20400400	1	Washer	
45	D28980199	1	Reinforcement	
46	D45065000	1	Switch	
47	D28751654	1	Decal	
48	D28980730	1	Bracket	
49	D28981139	1		GRAMMER
50	D28980737	1	Shelf	
51	D40741200	4	Screw	
52	D20400466	4	Washer	
53	D28980736	1	Bracket	
54	D45908200	1	Container	
55	D40402400	2	Screw Metric	
56	D20400453	2	Washer	
57	D40404700	1	Screw Metric	
58	D20400506	5	Spacer	
59	D41013400	2	Nut	
60	D40404900	4	Screw Metric	
61	D28980857	4	Shim	
62	D40407900	4	Screw Metric	
63	D20400419	4	Washer	
65	D28980949	2	Hose	
66	D45730800	2	Clip	
67	D28980955	1	Pipe	
68	D28980946	1	Pipe	
69	D45939400	1	Seat	GRAMMER
	D45939600	1	Seat	VIKING
70	D28980689	1	Plate	T.47987

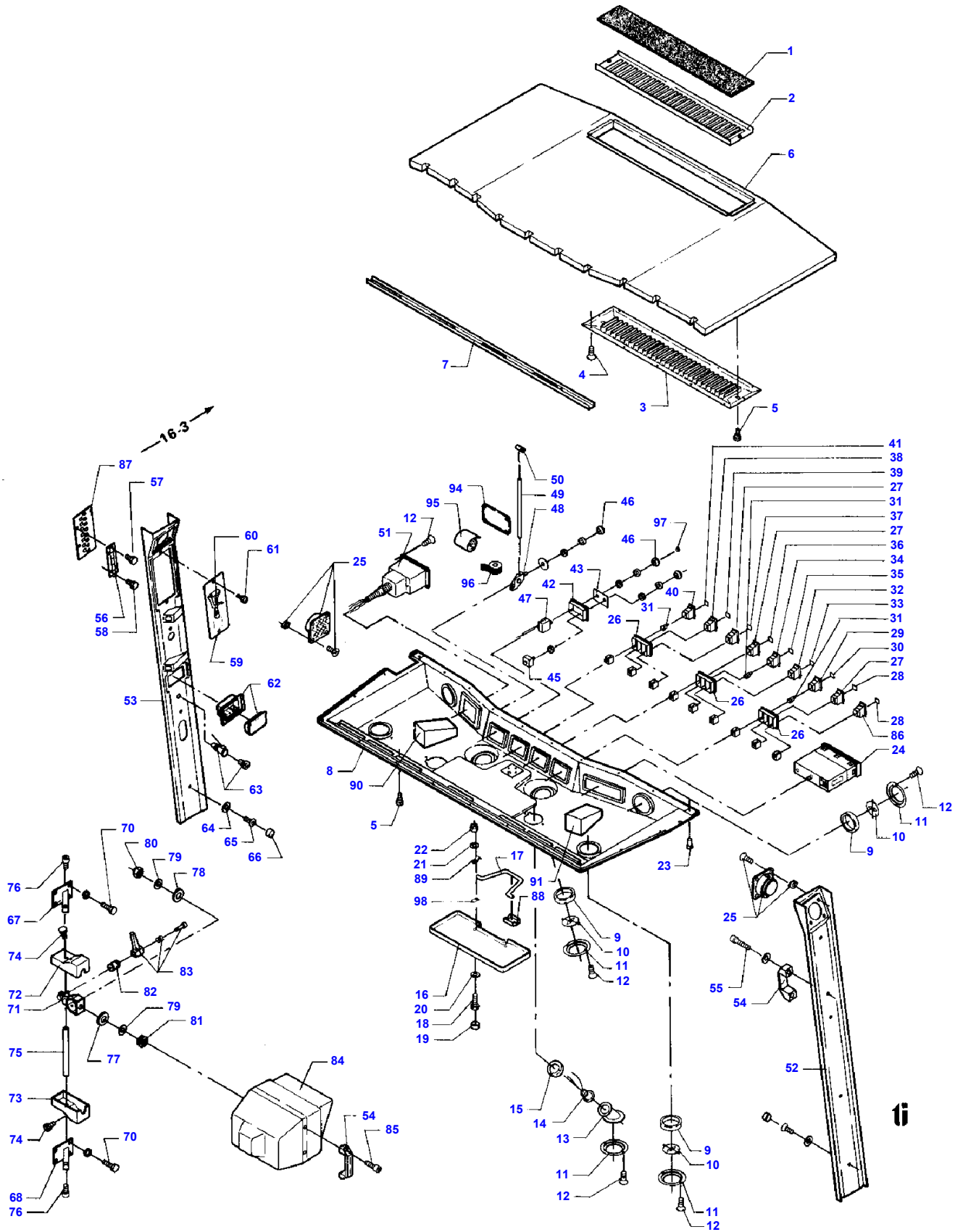
MASSEY FERGUSON**MF 38 COMBINE, ->| 47597 - 1810921A****1810921A****OPERATOR SEAT, STEERING ARRANGEMENT****13-5**

Item	Part Number	Qty	Description	Comments
70	D28981097	1	Plate	F.47988
71	D28980693	1	Link	
72	D28980690	1	Link	
73	D28980666	1	Frame	T.47987
73	D28981099	1	Frame Assy	F.47988
74	D28980670	1	Seat	
75	D40688200	3	Screw Metric	
76	D41013400	3	Nut	
77	D40404900	5	Screw Metric	
78	D41087500	5	Locknut	
79	D40423800	3	HEXAGON SCREW	
80	D41013500	3	Nut	
81	D45070068	1	Window	
82	D28980942	2	Wearplate	
83	D45083100	1	Manometer	F.47988
84	D43429600	4	Clip	F.47988
85	D45745100	4	Washer	F.48013
86	D45745200	4	Plug	F.48013



WINDOW PANES

Item	Part Number	Qty	Description	Comments
1	D28980561	1	Window	
2	D28980477	4	Hinge	
3	D28980034		Seal Section	4,100 M
4	D28980475	1	Tensioner	
5	D28980562	1	Window	
6	D28980064	2	Glass Pane	
7	D28980066	1	Windscreen	
8	D28980885	1	Strip	
9	D28980886	1	Strip	
10	D28980015	2	Profile	
11	D28980034		Seal Section	1,41 M
12	D28980528	1	Frame	
13	D28980889	1	Strip	
14	D28980034		Seal Section	1,900 M
15	D44737400		Gasket	4,100 M
16	D44736700		Strip	0,410 M
17	D44736700		Strip	1,410 M
18	D28980888	1	Stop	
19	D28980887	1	Stop	
20	D20400466	13	Washer	
21	D40749100	13	Screw Metric	
22	D28980489	1	Shim	
23	D40402600	3	Screw Metric	
24	D28980463	4	Plate	
25	D45744800	4	Protector	
26	D45744900	10	Protector	
27	D28980478	4	Plate	
28	D28980485	2	Plate	
29	D40601800	6	Screw	
30	D20400506	6	Spacer	
31	D41087500	6	Locknut	
32	D28980322	6	Bush	
33	D28980486	1	Shim	
34	D28980487	1	Shim	
35	D43419100	1	Door Handle	
36	D43418700	1	Key Door	
37	D28980466	2	Washer	
38	D20400506	2	Spacer	
39	D40405000	2	Screw Metric	
40	D28980461	2	Washer	
41	D28980464	1	Washer	
42	D28980470	1	Bracket	
43	D20400453	4	Washer	
44	D41087400	2	Locknut	
45	D40421800	2	HEXAGON SCREW	
46	D45061800	1	Cylinder	
47	D20400500	2	Spacer	
48	D41405700	2	SPLIT PIN	
49	D45060026	1	Wiper Motor	
50	D45060025	1	Wiper Blade	
51	D45060027	1	Wiper Arm	
52	D28980916	1	Bracket	
53	D43419400	1	Bolt	
54	D20400426	2	Washer	
55	D46434600	1	Nut	
56	D40404700	2	Screw Metric	
57	D20400506	2	Spacer	
58	D43419200	1	Lock	
59	D40601900	2	Screw	
60	D41087500	2	Locknut	
61	D44737300		Gasket	1,525M

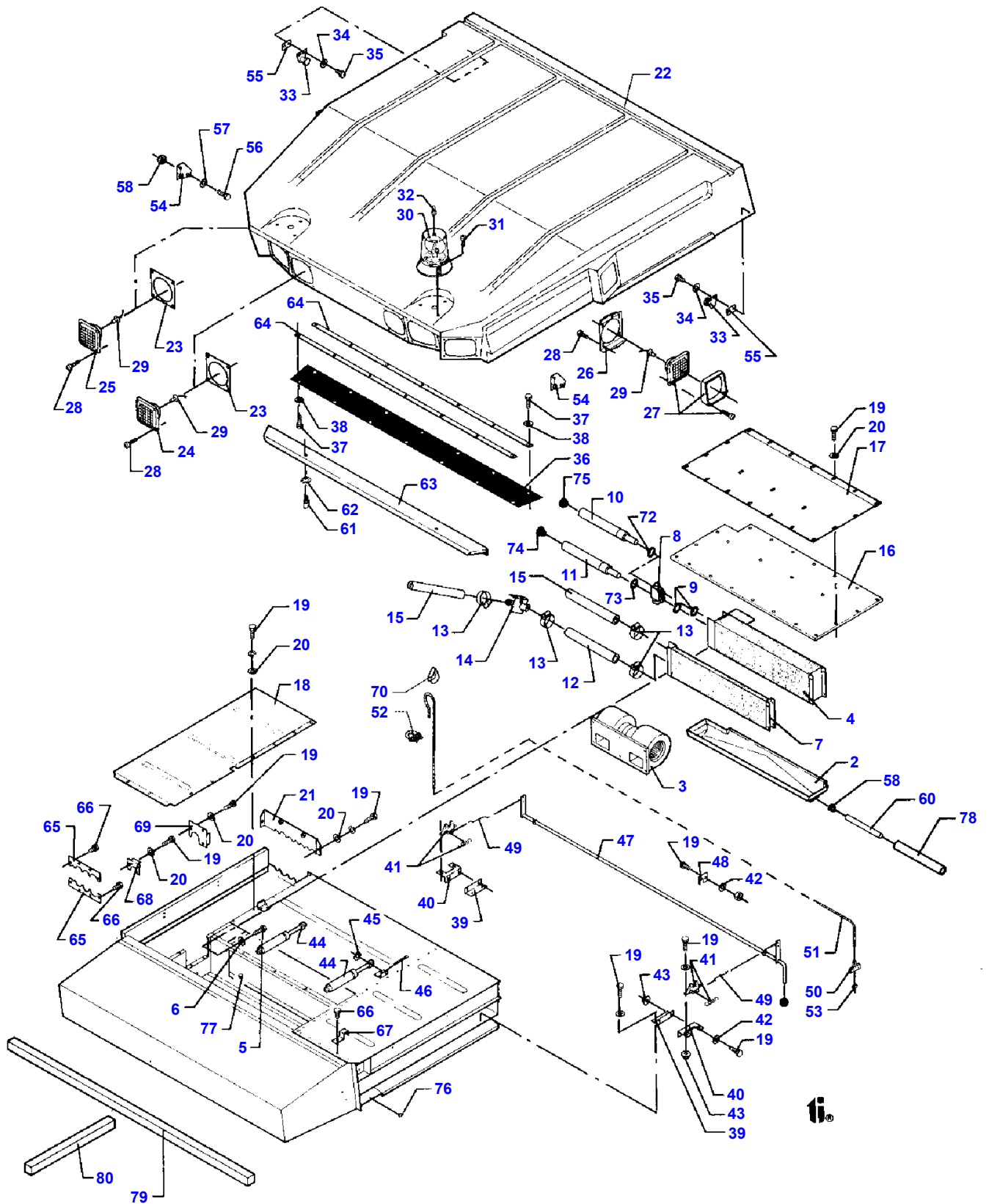


MASSEY FERGUSON**MF 38 COMBINE, ->| 47597 - 1810921A****1810921A****FRONT PANEL, SIDE MEMBERS, DANIAVISION****13-7**

Item	Part Number	Qty	Description	Comments
1	D28980849	1	Filter	
2	D28980923	1	Shutter	
3	D28980778	1	Grate	
4	D40740100	12	Screw	
5	D43385100	4	Screw	
6	D28980855	1	Lining	
7	D28980840	1	Damper	
8	D28980204	1	Panel	
9	D28980554	6	Retainer	
10	D28980553	6	Shutter	
11	D28980555	8	Ring	
12	D40740200	24	Screw	
13	D28980839	2	Holder	
14	D45060001	2	Light	
15	D28980771	2	Cover	
16	D28980746	1	Visor	
17	D28980664	1	Support	
18	D40400900	2	Setscrew	
19	D45745200	2	Plug	
20	D45745100	2	Washer	
21	D20400466	2	Washer	
22	D41087300	2	Locknut	
23	D45745600	22	Rivet	
24	D45086400	1	Radio	
25	D45086500	1	Kit	
26	D45060016	3	Frame	
27	D45065000	4	Switch	
28	D45065400	2	Decal	
29	D45063700	1	Switch	
30	D45060005	1	Decal	
31	D45065800	3	Light	
32	D45065100	1	Switch	
33	D45065300	1	Decal	
34	D45063600	1	Switch	
35	D28751650	1	Decal	
36	D45060006	1	Decal	
37	D28751657	1	Decal	
38	D45063500	1	Switch	
39	D28751658	1	Decal	
40	D45063700	1	Switch	
41	D28751653	1	Decal	
42	D28980928	1	Frame	
43	D28980436	1	Plate	
45	D45070024	1	Switch	
46	D45070026	2	Stud	
47	D45093000	1	Thermostat	
48	D45070025	1	Adjuster	
49	D45070027	1	Cable	
50	D45070028	1	Lock	
51	D28780629	1	Printer	
52	D28980326	1	Cover	
53	D28980325	1	Cover	
54	D43386900	2	Handle	
55	D40690300	2	Screw Metric	
56	D28980772	1	Hinge	
57	D40400500	2	HEXAGON SCREW	
58	D40402200	2	Screw Metric	
59	D28980763	1	Cover	
60	D45059600	1	Hammer	
61	D43385100	2	Screw	
62	D45060024	1	Locknut	
63	D45060037	1	Lighter	
64	D45745100	6	Washer	
65	D40352300	6	Screw	
66	D45745200	6	Plug	
67	D28981042	1	Suspension	
68	D28980764	1	Suspension	
70	D40404900	8	Screw Metric	
71	D28980721	1	Lever	
72	D28980744	1	Cover	

MASSEY FERGUSON**MF 38 COMBINE, ->| 47597 - 1810921A****1810921A****FRONT PANEL, SIDE MEMBERS, DANIAVISION****13-7**

Item	Part Number	Qty	Description	Comments
73	D28980739	1	Cover	
74	D40351800	2	Screw Metric	
75	D28981043	1	Rod	
76	D40688400	1	Screw	
77	D28980694	1	Washer	
78	D28980695	1	Washer	
79	D20400459	2	Washer	
80	D41087900	1	Locknut	
81	D46437800	1	Bellows	
82	D28980748	1	Bush	
83	D43387500	1	Lever	
	D28780628	1	Gauge	P.84-85
84	D28981012	2	Guard	
85	D40690500	2	Screw Metric	
86	D45066100	1	Switch,Indirect	
87	D28980775	1	Panel	
88	D28980665	2	Retainer	
89	D45060031	1	Fitting	
90	D28980976	1	Block	
91	D28980977	1	Block	
94	D28981026	1	Plate	
95	D45010063	1	Paper	
96	D45010062	1	Ribbon	
97	D45745300	1	Plug	
98	D28981143	2	Support	



MASSEY FERGUSON

MF 38 COMBINE, ->| 47597 - 1810921A

1810921A

CAB ROOF WITH AIR-CONDITION

13-8

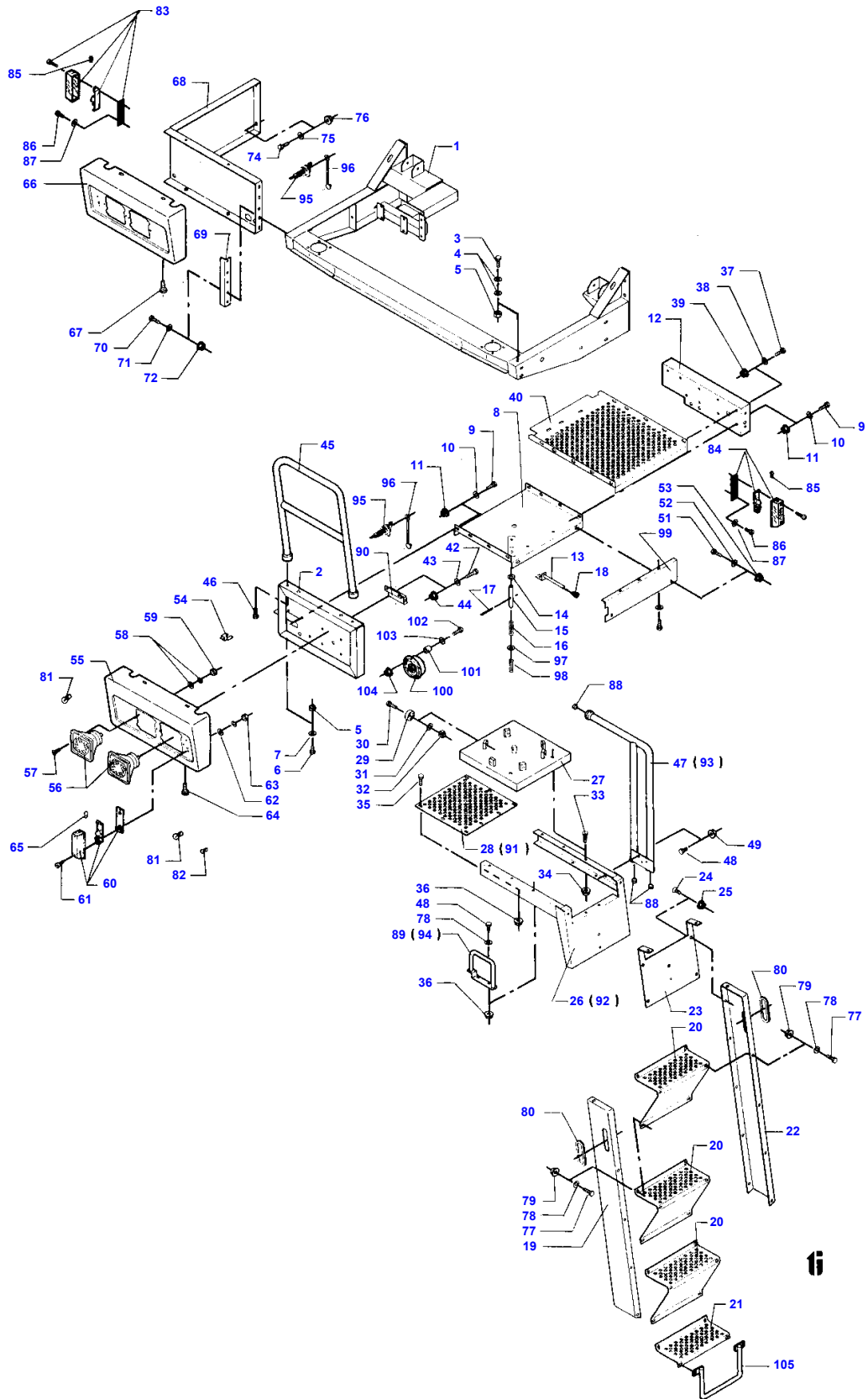
Item	Part Number	Qty	Description	Comments
1	D28980704	1	Roof	
2	D28980595	1	Tray	
3	D28981035	1	Fan	T.47287
	D45053200	1	Fan	F.47304
4	D45070022	1	Cooler	
5	D40402600	4	Screw Metric	
6	D20400470	4	Washer	
7	D45070012	1	Element	
8	D45092100	1	Valve	
9	D45092200		O Ring	
10	D45070021	1	Hose	
11	D45070020	1	Hose	
12	D44717700	1	Hose	0,05 M
13	D45726800	4	Clamp	
14	D45070008	1	Valve	
15	D44717700	2	Hose	4,3 M
16	D28980997	1	Insulation	
17	D28980742	1	Cover	
18	D28980743	1	Plate	
19	D40402400		Screw Metric	
20	D20400453		Washer	
21	D28980929	1	Plate	
22	D28980708	1	Roof	
23	D28980835	6	Plate	
24	D45060034	4	Headlamp	
25	D45060035	2	Headlamp	
26	D28980866	2	Plate	
27	D45060036	2	Headlamp	
28	D40741400	32	Screw	
29	D45080200	8	Bulb	
30	D45050200	1	Rotating Light	
	D45060046	1	Rotating Light	(04)
31	D40352900	3	Screw	
32	D45081000	1	Bulb	
33	D43419700	2	Pin	
34	D20400466	2	Washer	
35	D40400700	2	Screw Metric	
36	D28980868	1	Cover	
37	D40402600	14	Screw Metric	
38	D20400470	28	Washer	
39	D28980933	2	Elbow	
40	D28980932	2	Bracket	
41	D43419800	2	Lock	
42	D20400404	15	Washer	
43	D41013400	8	Nut	
44	D45061900	2	Cylinder	
45	D20400506	4	Spacer	
46	D41405900	4	SPLIT PIN	
47	D28980880	1	Rod	
48	D28980876	3	Mounting	
49	D28980881	2	Rod	
50	D43384800	1	Handle	
51	D44719400	1	String	
52	D43405900	1	Lock	
53	D43407800	1	Lock	
54	D28980784	2	Hinge	
55	D28980993	2	Gauge	
56	D40404900	4	Screw Metric	
57	D20400506	8	Spacer	
58	D41087500	4	Locknut	
59	D28980863	2	Bush	
60	D45702100	2	Hose	3M
61	D43427200	4	Pin	
62	D42555500	4	Circlip	
63	D28980864	1	Guard	
64	D28980937	2	Rail	
65	D28980927	2	Locking Plate	
66	D40749100		Screw Metric	
67	D28980970	2	Retainer	
68	D28980966	1	Plate	

MASSEY FERGUSON**MF 38 COMBINE, ->| 47597 - 1810921A****1810921A****CAB ROOF WITH AIR-CONDITION****13-8**

Item	Part Number	Qty	Description	Comments
69	D28980964	1	Plate	
70	D43408800	1	Thimble	
71	D45050100	1	Rotating Light	LUCAS
71	D45060047	1	Window	CHRISTENSE
72	D45090500	1	O Ring	
73	D45096700	1	O Ring	
74	D44732900	1	Grommet	
75	D44733100	1	Bush	
76	D44719100	2	Rivet	
77	D45744600	1	Plug	

(04)

ONLY FOR SWITZERLAND



MASSEY FERGUSON

MF 38 COMBINE, ->| 47597 - 1810921A

1810921A

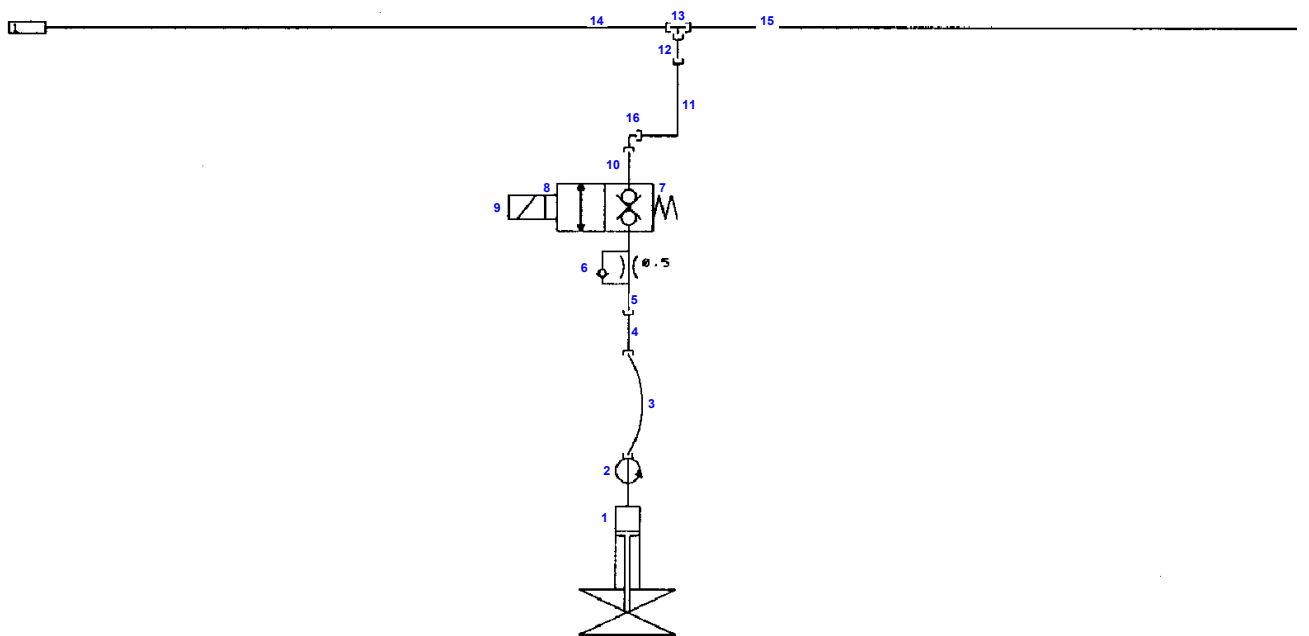
13-9

PLATFORM

Item	Part Number	Qty	Description	Comments
1	D28980575	1	Suspension	
2	D28980978	1	Plate	
3	D40407900	1	Screw Metric	
4	D20400420	2	Washer	
5	D41013600	3	Nut	
6	D40407700	2	Screw	
7	D20400419	2	Washer	
8	D28980905	1	Suspension	
9	D40404900	8	Screw Metric	
10	D20400409	8	Washer	
11	D41013500	8	Nut	
12	D28980896	1	Support	
13	D28980920	1	Lever	
14	D20400471	2	Washer	
15	D28981052	1	Ratchet	
16	D26600305	1	Spring	
17	D41408900	1	Pin	
18	D43383900	1	Handle	
19	D28980619	1	Support	Left Hand
20	D28980614	3	Step	
21	D28980632	1	Step	
22	D28980620	1	Support	Right Hand
23	D28980613	1	Plate	
24	D40601500	4	Screw	
25	D41013500	4	Nut	
26	D28980992	1	Suspension	
27	D28980914	1	Plate	
28	D28980856	1	Step	
29	D41622300	7	Bearing Ball	
30	D40408000	7	HEXAGON SCREW	
31	D20400471	20	Washer	
32	D41087600	6	Locknut	
33	D40407700	6	Screw	
34	D41013600	6	Nut	
35	D40404900	4	Screw Metric	
36	D41013500	4	Nut	
37	D40404900	10	Screw Metric	
38	D20400409	10	Washer	
39	D41013500	10	Nut	
40	D28980894	1	Plate	
42	D40404900	2	Screw Metric	
43	D20400409	2	Washer	
44	D41013500	2	Nut	
45	D28980118	1	Rail	
46	D40407800	2	HEXAGON SCREW	
47	D28980884	1	Rail	
48	D40405000	4	Screw Metric	
49	D41013500	2	Nut	
50	D28980898	1	Cover	
51	D40402600	2	Screw Metric	
52	D20400404	2	Washer	
53	D41013400	2	Nut	
54	D28980980	1	Cover	
55	D28980075	1	Shield	
56	D45085800	4	Lamp	(B3) Right Hand
56	D45085900	4	Lamp	(B5) Left Hand
57	D40316600	8	Screw	
58	D20400400	16	Washer	
59	D41010400	8	Nut	
60	D45086100	2	Flasher	
61	D40351400	2	Screw	
62	D20400400	2	Washer	
63	D41010400	2	Nut	
64	D43385200	4	Screw	
65	D45080600	1	Bulb	
66	D28980076	1	Shield	
67	D43385200	4	Screw	
68	D28980843	1	Platform	Right Hand

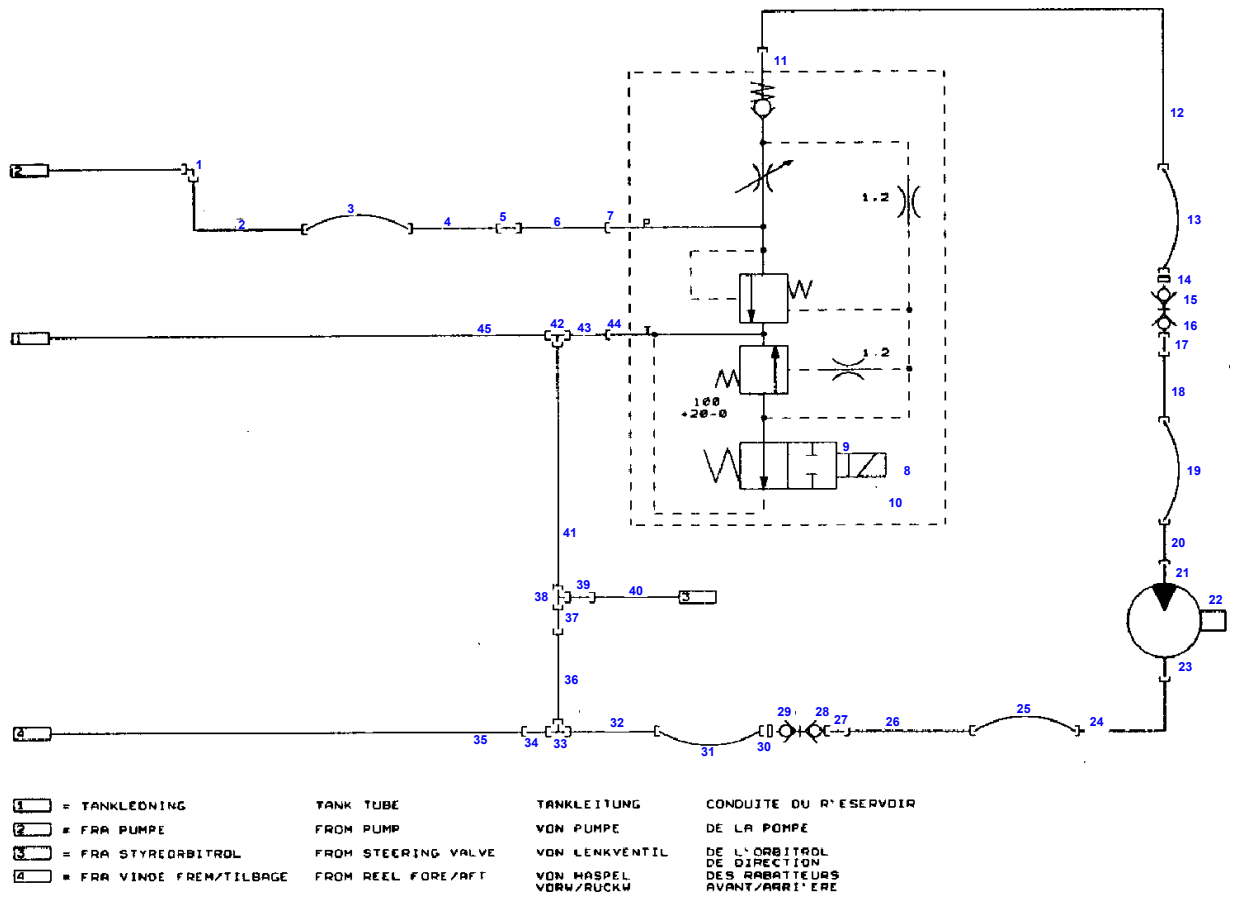
PLATFORM

Item	Part Number	Qty	Description	Comments
69	D28980986	1	Support	
70	D40407700	2	Screw	
71	D20400419	5	Washer	
73	D41013600	5	Nut	
74	D40404900	2	Screw Metric	
75	D20400414	2	Washer	
76	D41013500	2	Nut	
77	D40404900	16	Screw Metric	
78	D20400409	18	Washer	
79	D41013500	16	Nut	
80	D44735900		Seal Section	0,760M
81	D45080800	4	Bulb H/L 45/40w	(B5)
81	D45081100	4	Bulb	(B3)
82	D45015600	2	Bulb 12v 4w	
83	D45077500	1	Flasher	Right Hand
84	D45077600	1	Flasher	Left Hand
85	D45080600	2	Bulb	
86	D40400300	2	HEXAGON SCREW	
87	D20400400	2	Washer	
88	D45744200	3	Ferrule	
89	D28981031	1	Safety Frame	
90	D28980995	1	Stop	
91	D28981021	1	Step	(3)
92	D28981022	1	Suspension	(3)
93	D28981014	1	Rail	(3)
94	D28981013	1	Rail	(3)
95	D45068200	2	Plug	
96	D45068300	2	Dustcap	
97	D20400507	2	Spacer	
98	D28210500	1	Spring	
99	D28980898	1	Cover	
100	D45019500	1	Horn	
101	D28480172	2	Spacer	
102	D40423900	1	HEXAGON SCREW	
103	D20400506	1	Spacer	
104	D41013500	1	Nut	
105	D28981028	1	Elbow	GB (B3) FOR ASSYMMETRIC LIGHT (B5) FOR SYMMETRIC LIGHT (3) OPTIONAL EQUIPMENT



MASSEY FERGUSON**MF 38 COMBINE, ->| 47597 - 1810921A****1810921A****HYDRAULICS - CYLINDER VARIATOR****14-2**

Item	Part Number	Qty	Description
1	D28380056	1	Variator
2	D28380017	1	Clutch
3	D45136900	1	Hydr Hose
4	D28780423	1	Pipe
5	D45252600	1	Union
6	D28780700	1	Washer
7	D45110014	1	Kit, Joint
	D45110054	1	Valve
8	D45110065	1	Parts Pack
9	D45110064	1	Coil
10	D45252600	1	Union
11	D28780960	1	Tube
12	D45272100	1	Connector
13	D45256200	1	Union
14	D28780664	1	Pipe
15	D28780663	1	Pipe
16	D45263900	1	Union



MASSEY FERGUSON

MF 38 COMBINE, ->| 47597 - 1810921A

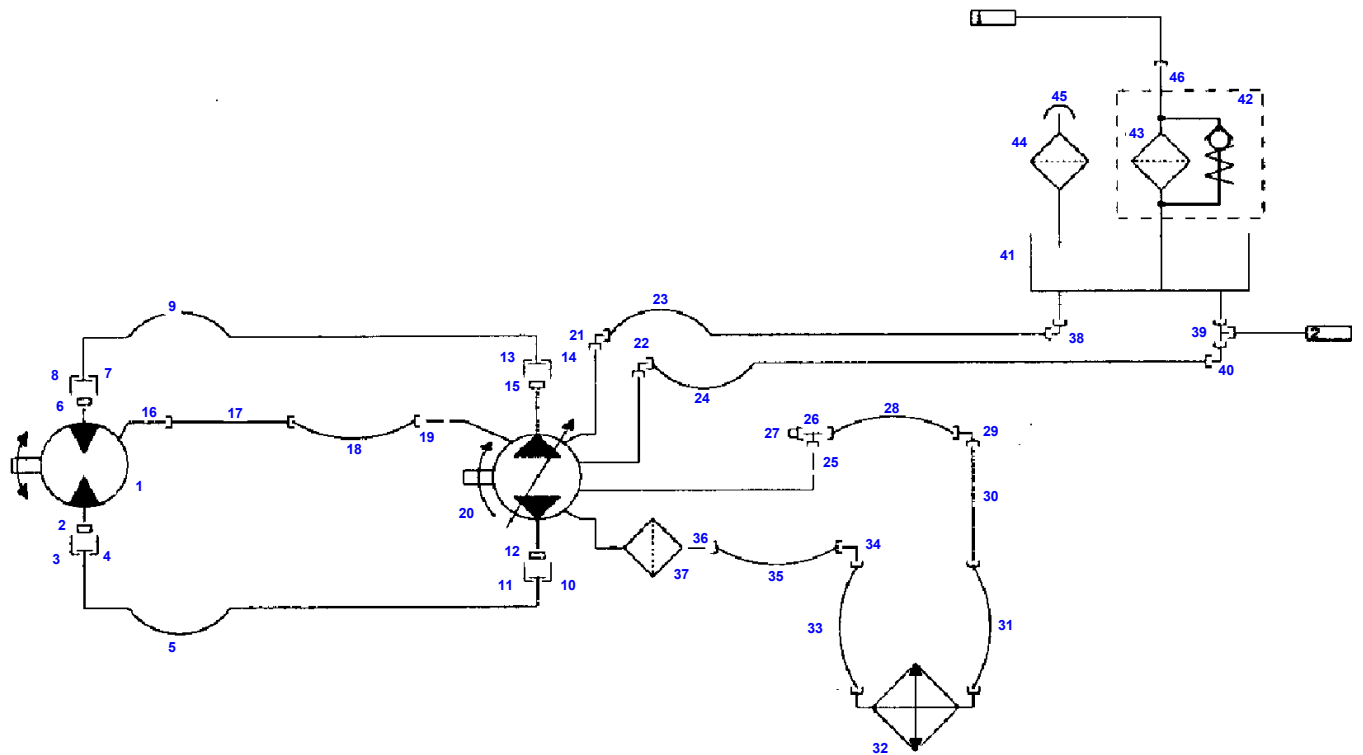
1810921A

14-3

HYDRAULICS - REEL SPEED

Item	Part Number	Qty	Description	Comments
1	D45264100	1	Union	
2	D28780342	1	Pipe	
3	D45132500	1	Hose	
4	D28780658	1	Pipe	
5	D45254100	1	Union	
6	D28780665	1	Pipe	
7	D45253400	1	Union	
8	D45110043	1	Solenoid	
9	D45110060	1	Pressure Valve	
10	D45110011	1	Kit, Seal	
	D45110048	1	Distributor	
11	D45250700	1	Union	
12	D28780993	1	Tube	
13	D45130019	1	Hydr Hose	
14	D45135400	1	Union	
15	D45462200	1	O Ring	
16	D45135300	1	Union	
17	D45250700	1	Union	
18	D28283440	1	Tube	(U2)
	D28283441	1	Tube	(T7)
	D28283442	1	Pipe	(S4)
	D28283443	1	Pipe	(T8)
	D28283444	1	Pipe	(F3)
	D28283863	1	Pipe	(F4)
19	D45130013	1	Hydr Hose	FREELO
	D45130015	1	Hydr Hose	POWER FLOW
20	D28280676	1	Tube	
21	D45250700	1	Union	
22	D45120700	1	Hydraulic Motor	
23	D45250700	1	Union	
24	D28280677	1	Tube	
25	D45130013	1	Hydr Hose	FREELO
	D45130015	1	Hydr Hose	POWER FLOW
26	D28283440	1	Tube	(U2)
	D28283441	1	Tube	(T7)
	D28283442	1	Pipe	(S4)
	D28283443	1	Pipe	(T8)
	D28283444	1	Pipe	(F3)
	D28283863	1	Pipe	(F4)
27	D45250700	1	Union	
28	D45135400	1	Union	
29	D45135300	1	Union	
30	D45462200	1	O Ring	
31	D45130019	1	Hydr Hose	
32	D28780995	1	Tube	
33	D45256200	1	Union	
34	D45272100	1	Connector	
35	D28780989	1	Tube	
36	D28780994	1	Tube	
37	D45272800	1	Union	
38	D45256400	1	Union	
39	D45272600	1	Union	
40	D28780657	1	Pipe	
41	D28780668	1	Pipe	
42	D45256400	1	Union	
43	D28780669	1	Pipe	
44	D45251500	1	Union	
45	D28780671	1	Pipe	
				(F3)
				20'
				(F4)
				22'
				(S4)
				16'
				(T7)
				14'
				(T8)
				18'
				(U2)
				12'

	= FRA HOVEDVENTIL	FROM MAIN VALVE	VON HAUPTVENTIL	DE LA CONDUITE PRINCIPALE
	= TIL HYDRAULIKPUMPE	TO HYDRAULIC PUMP	ZU HYDRAULIKPUMPE	A LA POMPE HYDRAULIQUE

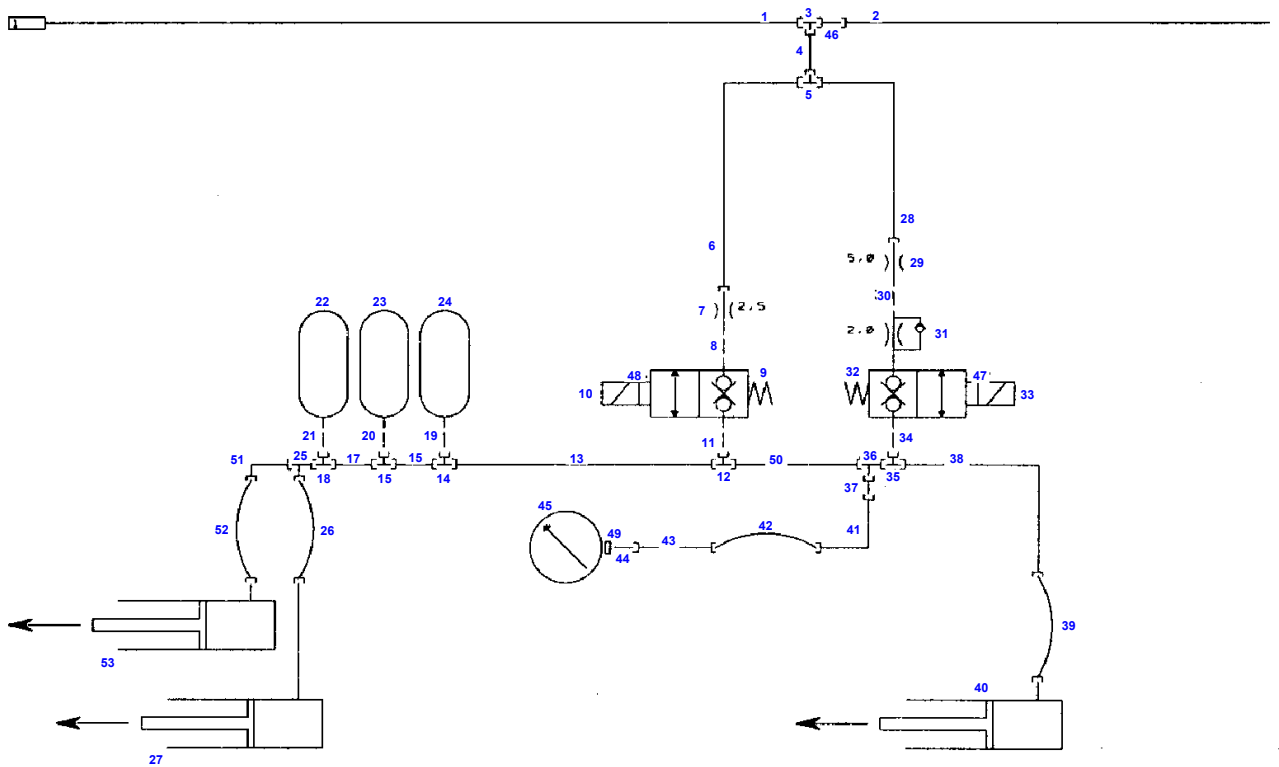


MASSEY FERGUSON**MF 38 COMBINE, ->| 47597 - 1810921A****1810921A****PROPULSION HYDRAULIC****14-4**

Item	Part Number	Qty	Description
1	D45163100	1	Hydraulic Motor
2	D45463900	1	O Ring
3	D45160800	1	Flange
4	D45160800	1	Flange
5	D45130010	1	Hydr Hose
6	D45463900	1	O Ring
7	D45160800	1	Flange
8	D45160800	1	Flange
9	D45130009	1	Hydr Hose
10	D45160800	1	Flange
11	D45160800	1	Flange
12	D45463900	1	O Ring
13	D45160800	1	Flange
14	D45160800	1	Flange
15	D45463900	1	O Ring
16	D45251100	1	Union
17	D28780690	1	Pipe
18	D45128300	1	Hydr Hose
	D45251100	1	Union
20	D45163000	1	Hydraulic Pump
21	D45264200	1	Union
22	D45264200	1	Union
23	D45130025	1	Hydr Hose
24	D45130025	1	Hydr Hose
25	D45251100	1	Union
26	D45267200	1	Union
27	D45219900	1	Plug
28	D45130022	1	Hydr Hose
29	D45269900	1	Connector
30	D28780533	1	Pipe
31	D45130023	1	Hydr Hose
32	D28780544	1	Radiator
33	D45130023	1	Hydr Hose
34	D45269900	1	Connector
35	D45130022	1	Hydr Hose
36	D45251100	1	Union
37	D45161300	1	Oil Filter
38	D45264200	1	Union
39	D45266600	1	Union
40	D45264200	1	Union
41	D28780045	1	Oil Tank
42	D45145400	1	Oil Filter
43	D45145300	1	Hydr. Element
44	D45103200	1	Filter
45	D45103000	1	Filter
46	D45251500	1	Union

MASSEY FERGUSON**MF 38 COMBINE, ->| 47597 - 1810921A****1810921A****HYDRAULICS - PUMP AND MAIN VALVE****14-5**

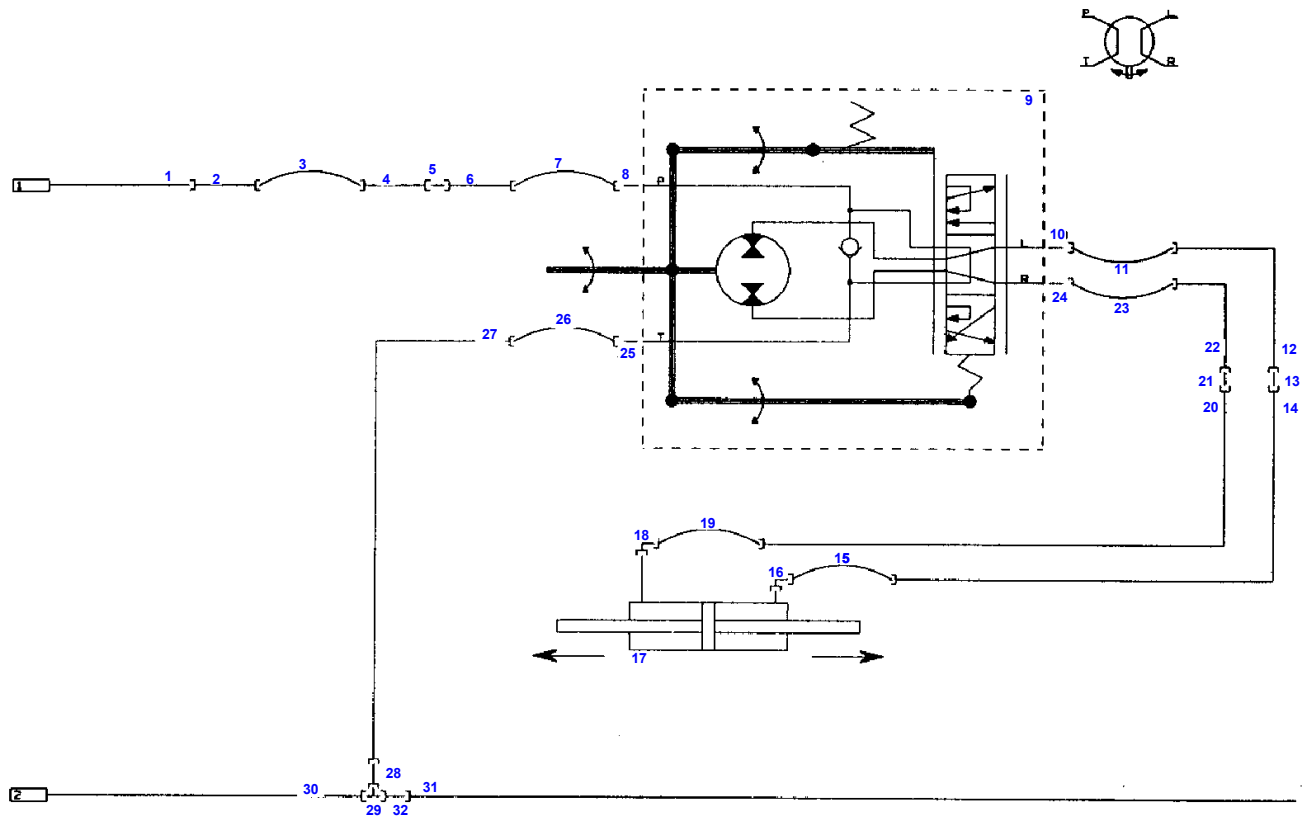
Item	Part Number	Qty	Description
1	D45110041	1	Pinion
2	D45110006	1	Kit,Joint/Gasket
	D45163200	1	Hydraulic Pump
3	D45110063	1	Pressure Valve
4	D45110062	1	Pressure Valve
5	D45110064	1	Coil
6	D45110013	1	Gasket
	D45110053	1	Valve
7	D45103200	1	Filter
8	D45103000	1	Filter
9	D45145300	1	Hydr. Element
10	D45145400	1	Oil Filter
11	D28780045	1	Oil Tank
12	D45110061	1	Kit, Repair
13	D45251500	1	Union
14	D45130031	1	Hose
15	D45251500	1	Union
16	D45251500	1	Union
17	D45130025	1	Hydr Hose
18	D45264200	1	Union
19	D45251500	1	Union
20	D45130025	1	Hydr Hose
21	D45266600	1	Union
22	D45264200	1	Union
23	D45130027	1	Hydr Hose
24	D45266600	1	Union
25	D45251500	1	Union
26	D28780343	1	Pipe
27	D45251500	1	Union
28	D45266600	1	Union
29	D45128400	1	Hydr Hose
30	D28780674	1	Pipe
31	D45250700	1	Union
32	D45264100	1	Union
33	D28780342	1	Pipe
34	D45132500	1	Hose
35	D28780658	1	Pipe
36	D45251000	1	Union
37	D28780340	1	Pipe
38	D45264200	1	Union
39	D45272700	1	Union
40	D45266600	1	Union
41	D45251500	1	Union
42	D45272800	1	Union
43	D28780342	1	Pipe
44	D45132500	1	Hose
45	D28780673	1	Pipe
46	D45250800	1	Union
47	D28780659	1	Pipe
48	D45124400	1	Hose



☐ = HOVEDLEDNING HAIN TUBE HAUPTLEITUNG CONDUITE PRINCIPALE

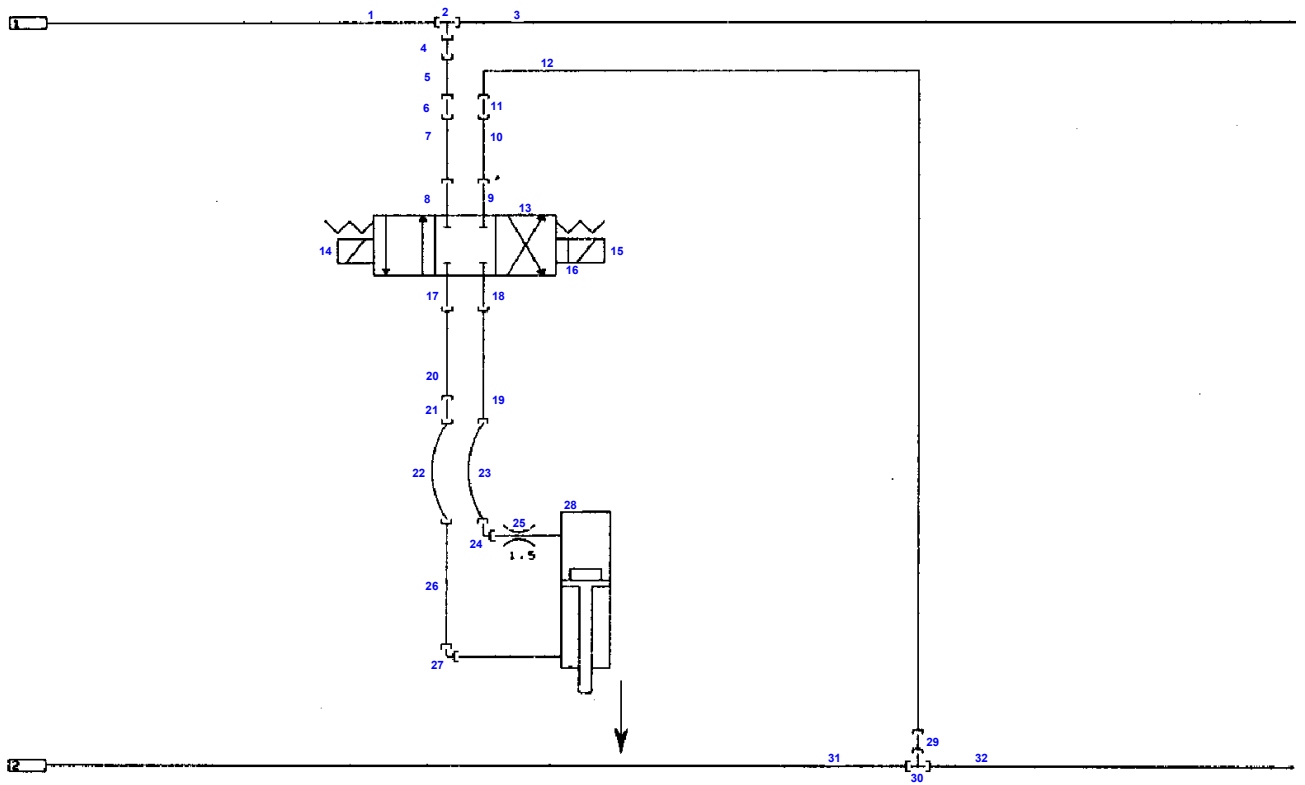
MASSEY FERGUSON**MF 38 COMBINE, -> 47597 - 1810921A****1810921A****14-6****HYDRAULICS - TABLE OP/DOWN**

Item	Part Number	Qty	Description	Comments
1	D28780663	1	Pipe	
	D28780711	1	Washer	
2	D28782037	1	Pipe	
3	D45256200	1	Union	
4	D28780662	1	Pipe	
5	D45256200	1	Union	
6	D28780655	1	Pipe	
8	D45255200	1	Connector	
9	D45110014	1	Kit, Joint	
	D45110054	1	Valve	
10	D45110064	1	Coil	
11	D45250800	1	Union	
12	D45267100	1	Union	
13	D28780330	1	Pipe	
14	D45267100	1	Union	
15	D28730695	1	Pipe	
16	D45267100	1	Union	
17	D28730695	1	Pipe	
18	D45267100	1	Union	
19	D45250500	1	Union	
20	D45250500	1	Union	
21	D45250500	1	Union	
22	D45100300	1	Accumulator	
23	D45100300	1	Accumulator	
24	D45100300	1	Accumulator	
25	D45266300	1	Union	
26	D45130016	1	Hydr Hose	
27	D45100057	1	Ram	45 X 600
28	D28780655	1	Pipe	
29	D28780712	1	Washer	
30	D45255200	1	Connector	
31	D28780319	1	Washer	
32	D45110014	1	Kit, Joint	
	D45110054	1	Valve	
33	D45110064	1	Coil	
34	D45250800	1	Union	
35	D45267100	1	Union	
36	D45266300	1	Union	
37	D45272300	1	Connector	
38	D28780329	1	Pipe	
39	D45130016	1	Hydr Hose	
40	D45100058	1	Ram	50 X 600
41	D28780660	1	Pipe	
42	D45130024	1	Hydr Hose	
43	D28980410	1	Pipe	
44	D45276800	1	Connector	
45	D45089500	1	Manometer	
46	D45272100	1	Connector	
47	D45110065	1	Parts Pack	
48	D45110065	1	Parts Pack	
49	D45276900	1	Packing Ring	
50	D28780331	1	Pipe	
51	D45264000	1	Union	
52	D45130016	1	Hydr Hose	
53	D45100057	1	Ram	45 X 600



1 = FRA PUMPE FROM PUMP VON PUMPE DE LA POMPE
2 = TANKLEDNING TANK TUBE TANKLEITUNG CONDUITE DU RESERVOIR

Item	Part Number	Qty	Description
1	D45250800	1	Union
2	D28780659	1	Pipe
3	D45124400	1	Hose
4	D28780672	1	Pipe
5	D45254900	1	Union
6	D28780656	1	Pipe
7	D45130026	1	Hydr Hose
8	D45252700	1	Union
9	D45114400	1	Valve Block
10	D45252700	1	Union
11	D45130026	1	Hydr Hose
12	D28780653	1	Pipe
13	D45254100	1	Union
14	D28780651	1	Pipe
15	D45124400	1	Hose
16	D45264000	1	Union
17	D28151301	1	Ram
18	D45264000	1	Union
19	D45124400	1	Hose
20	D28780652	1	Pipe
21	D45254100	1	Union
22	D28780654	1	Pipe
23	D45130026	1	Hydr Hose
24	D45252700	1	Union
25	D45252700	1	Union
26	D45130026	1	Hydr Hose
27	D28780657	1	Pipe
28	D45272600	1	Union
29	D45256400	1	Union
30	D28780668	1	Pipe
31	D28780666	1	Pipe
32	D45272800	1	Union



1 = HOVEDLEDNING MAIN TUBE HAUPTLEITUNG CONDUITE PRINCIPALE
2 = TANKLEDNING TANK TUBE TANKLEITUNG CONDUITE DU RESERVOIR

MASSEY FERGUSON**MF 38 COMBINE, ->| 47597 - 1810921A****1810921A****14-8****HYDRAULICS - UNLOADING AUGER**

Item	Part Number	Qty	Description
1	D28780673	1	Pipe
2	D45256200	1	Union
3	D28780664	1	Pipe
4	D45272100	1	Connector
5	D28780677	1	Pipe
6	D45254000	1	Union
7	D28780678	1	Pipe
8	D45252600	1	Union
9	D45252600	1	Union
10	D28780676	1	Pipe
11	D45254000	1	Union
12	D28780675	1	Pipe
13	D45110015	1	Gasket
	D45110055	1	Valve
14	D45110064	1	Coil
15	D45110064	1	Coil
16	D45110066	1	Parts Pack
17	D45252600	1	Union
18	D45252600	1	Union
19	D28780680	1	Pipe
20	D28780679	1	Pipe
21	D45254000	1	Union
22	D45123600	1	Hose
23	D45123600	1	Hose
24	D45263900	1	Union
25	D28780324	1	Washer
26	D28780425	1	Pipe
27	D45263900	1	Union
28	D45100065	1	Ram
29	D45272000	1	Connector
30	D45256400	1	Union
31	D28780674	1	Pipe
32	D28780671	1	Pipe

MASSEY FERGUSON**MF 38 COMBINE, ->| 47597 - 1810921A****1810921A****14-9****HYDRAULICS - REEL FORE/AFT.**

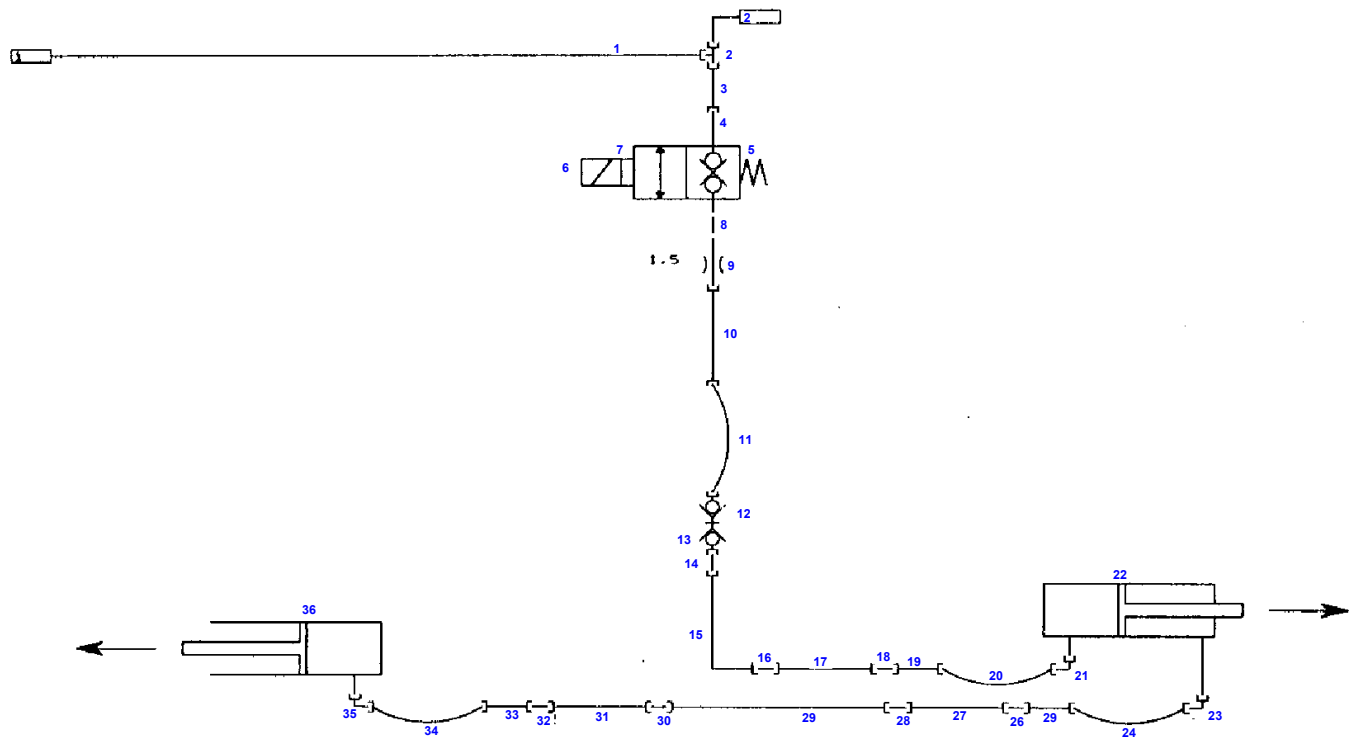
Item	Part Number	Qty	Description	Comments
1	D28782037	1	Pipe	
2	D45266100	1	Union	
3	D28780653	1	Pipe	
4	D45252600	1	Union	
5	D45110015	1	Gasket	
	D45110055	1	Valve	
6	D45110066	1	Parts Pack	
7	D45110064	1	Coil	
8	D45110064	1	Coil	
9	D45252600	1	Union	
10	D28780988	1	Tube	
11	D45252800	1	Union	
12	D45110059	1	Valve	
13	D45252800	1	Union	
14	D45263900	1	Union	
15	D28780991	1	Tube	
16	D45130020	1	Hydr Hose	
17	D45110017	1	Gasket	
	D45138800	1	Coupling	
18	D45138900	1	Coupling	
19	D45252800	1	Union	
20	D28283434	1	Pipe	
21	D45254000	1	Union	
22	D28283436	1	Pipe	
23	D45254000	1	Union	
24	D28283436	1	Pipe	
25	D45254000	1	Union	
26	D28283436	1	Pipe	(F3)
	D28283437	1	Pipe	(T8)
	D28283438	1	Pipe	(S4)
	D28283439	1	Pipe	(T7)
	D28283436	1	Pipe	(F4)
27	D45254000	1	Union	
28	D28283439	1	Pipe	(F4)
29	D45130017	1	Hydr Hose	
30	D45254000	1	Union	
31	D28281208	1	Tube	FREEFLO
	D28283571	1	Pipe	POWER FLOW
32	D45263900	1	Union	
33	D45100028	1	Cylinder	
34	D45263900	1	Union	
35	D28281207	1	Tube	FREEFLO
	D28283572	1	Pipe	POWER FLOW
36	D45254000	1	Union	
37	D45130017	1	Hydr Hose	
38	D28283439	1	Pipe	(F4)
39	D45254000	1	Union	
40	D28283435	1	Tube	
41	D45254000	1	Union	
42	D28283436	1	Pipe	(F3)
	D28283437	1	Pipe	(T8)
	D28283438	1	Pipe	(S4)
	D28283439	1	Pipe	(T7)
	D28283436	1	Pipe	(F4)
43	D45254000	1	Union	
44	D28283439	1	Pipe	(F4)
45	D45130017	1	Hydr Hose	
46	D45254000	1	Union	
47	D28281208	1	Tube	FREEFLO
	D28283571	1	Pipe	POWER FLOW
48	D45263900	1	Union	
49	D45100027	1	Cylinder	
50	D45263900	1	Union	
51	D28281207	1	Tube	FREEFLO
	D28283572	1	Pipe	POWER FLOW
52	D45254000	1	Union	
53	D45130017	1	Hydr Hose	
54	D28283439	1	Pipe	(F4)
55	D45254000	1	Union	
56	D28283436	1	Pipe	(F3)

MASSEY FERGUSON**MF 38 COMBINE, ->| 47597 - 1810921A****1810921A****HYDRAULICS - REEL FORE/AFT.****14-9**

Item	Part Number	Qty	Description	Comments
56	D28283437	1	Pipe	(T8)
56	D28283438	1	Pipe	(S4)
56	D28283439	1	Pipe	(T7)
56	D28283436	1	Pipe	(F4)
57	D45254000	1	Union	
58	D28283434	1	Pipe	
59	D45252800	1	Union	
60	D45138900	1	Coupling	
61	D45110017	1	Gasket	
61	D45138800	1	Coupling	
62	D45130020	1	Hydr Hose	
63	D28780992	1	Tube	
64	D45252800	1	Union	
65	D45252800	1	Union	
66	D28780988	1	Tube	
67	D45252600	1	Union	
68	D45252600	1	Union	
69	D28780989	1	Tube	
70	D45272100	1	Connector	
71	D45256200	1	Union	
72	D28780995	1	Tube	
73	D28780994	1	Tube	
74	D45272800	1	Union	
75	D45256400	1	Union	
76	D45272600	1	Union	
77	D28780657	1	Pipe	
78	D28780668	1	Pipe	

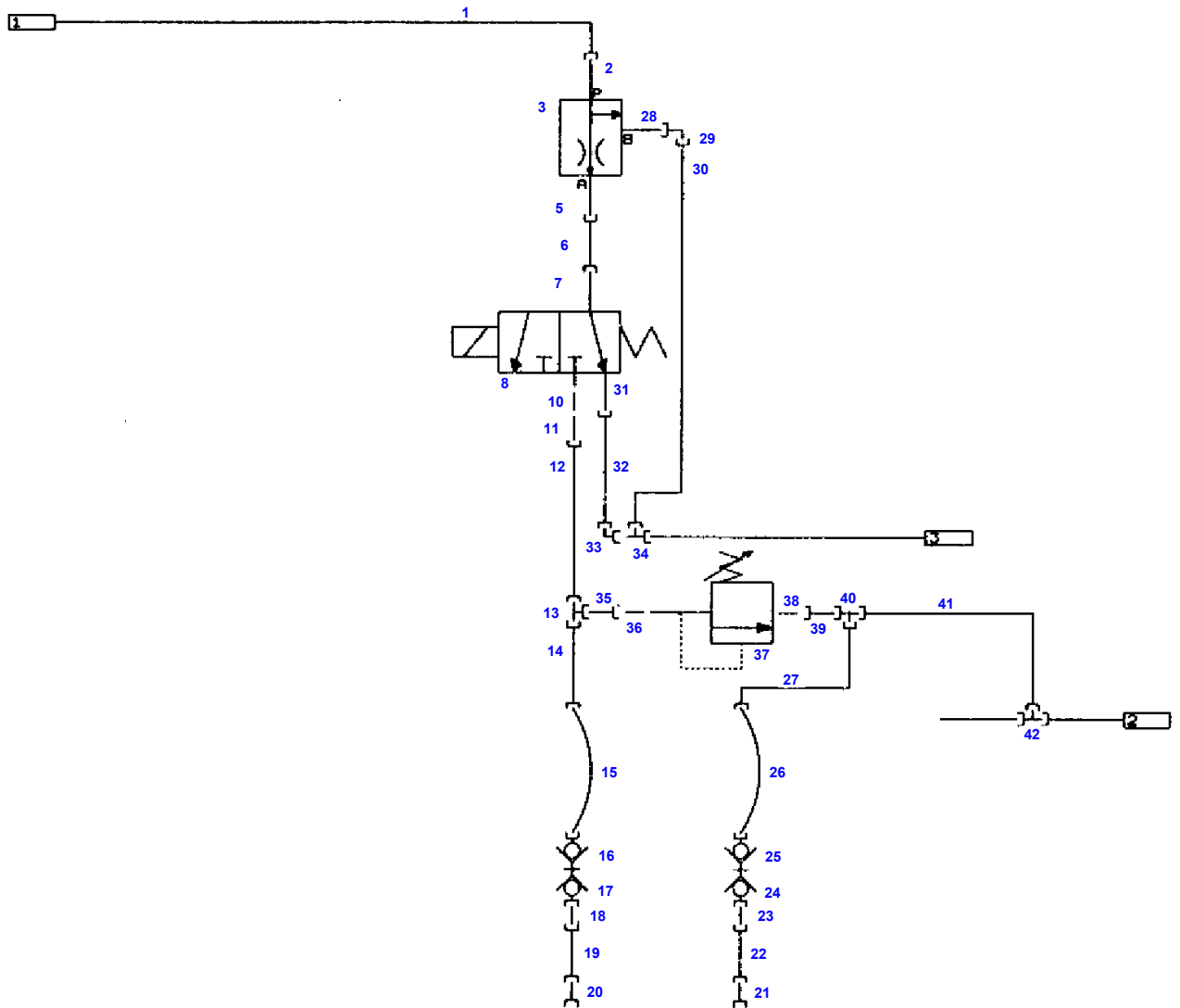
(F3)
20'
(F4)
22'
(S4)
16'
(T7)
14'
(T8)
18'




1	= HOVEDLEDNING	MAIN TUBE	HAUPTLEITUNG	CONDUITE PRINCIPALE
2	= TIL VINDE FREM/TILBAGE	TO REEL FORE/AFT	ZU HASPEL VORWARTS/RUCKWARTS	AUX RABATTEURS AVANT/ARRIERE



MASSEY FERGUSON**MF 38 COMBINE, ->| 47597 - 1810921A****1810921A****HYDRAULICS - REEL UP/DOWN****14-10**

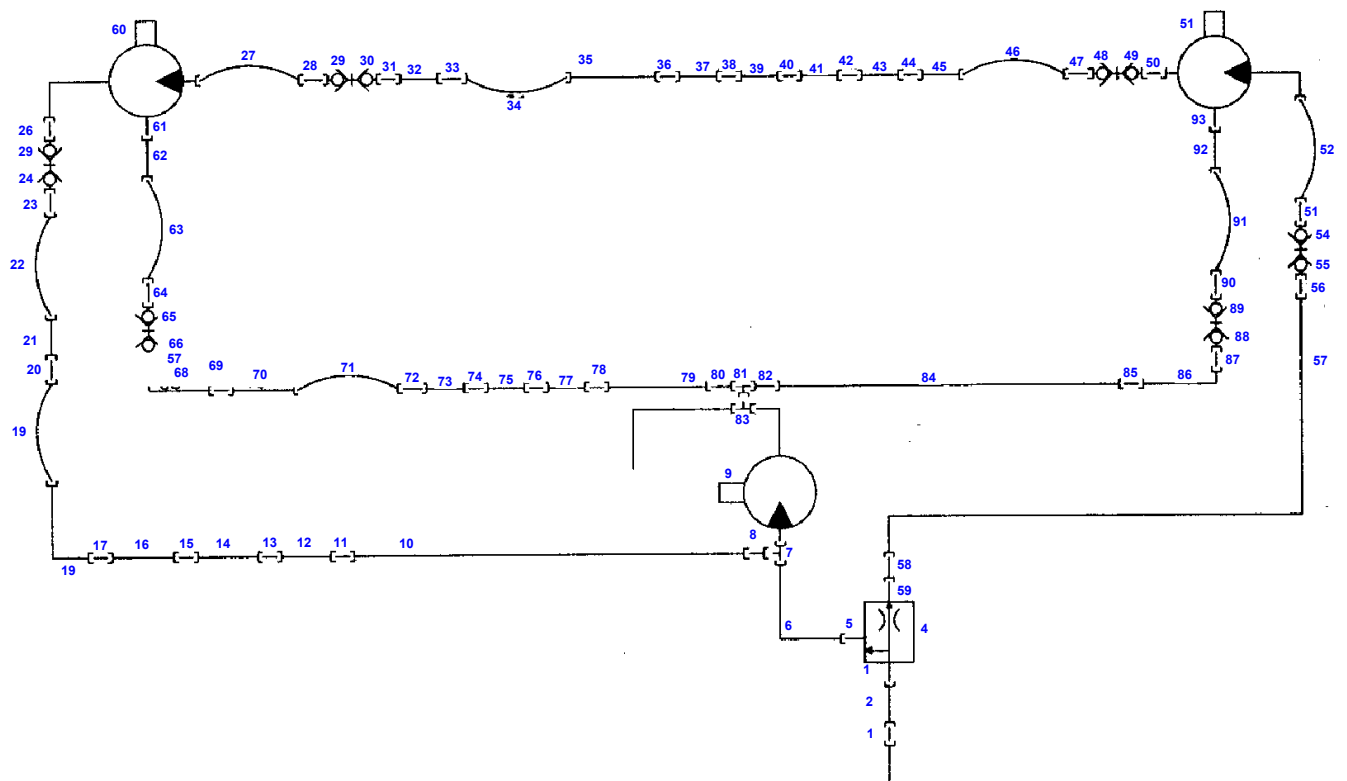
Item	Part Number	Qty	Description	Comments
1	D28782037	1	Pipe	
2	D45266100	1	Union	
3	D28780653	1	Pipe	
4	D45252600	1	Union	
5	D45110014	1	Kit, Joint	
	D45110054	1	Valve	
6	D45110065	1	Parts Pack	
7	D45110064	1	Coil	
8	D45252600	1	Union	
9	D28781055	1	Washer	
10	D28780990	1	Hydr Hose	
11	D45130020	1	Hydr Hose	
12	D45138900	1	Coupling	
13	D45110017	1	Gasket	
	D45138800	1	Coupling	
14	D45252800	1	Union	
15	D28283434	1	Pipe	
16	D45254000	1	Union	
17	D28283439	1	Pipe	
18	D45254000	1	Union	
19	D28283439	1	Pipe	(F4)
20	D45130017	1	Hydr Hose	FREEFLO
	D45130029	1	Hose	POWER FLOW
21	D45263900	1	Union	
22	D45100066	1	Cylinder	
23	D45263900	1	Union	
24	D45130017	1	Hydr Hose	FREEFLO
	D45130029	1	Hose	POWER FLOW
25	D28283439	1	Pipe	(F4)
26	D45254000	1	Union	
27	D28283439	1	Pipe	
28	D45254000	1	Union	
29	D28283435	1	Tube	
30	D45254000	1	Union	
31	D28283436	1	Pipe	(F3)
	D28283437	1	Pipe	(T8)
	D28283438	1	Pipe	(S4)
	D28283439	1	Pipe	(T7)
	D28283436	1	Pipe	(F4)
32	D45254000	1	Union	
33	D28283439	1	Pipe	(F4)
34	D45130017	1	Hydr Hose	FREEFLO
	D45130029	1	Hose	POWER FLOW
35	D45263900	1	Union	
36	D45100067	1	Cylinder	
			(F3)	
			20'	
			(F4)	
			22'	
			(S4)	
			16'	
			(T7)	
			14'	
			(T8)	
			18'	



	= HOVEDLEDNING	MAIN TUBE	HAUPTLEITUNG	CONDUITE PRINCIPALE
	= TANKLEDNING	TANK TUBE	TANKLEITUNG	CONDUITE DU RESERVOIR
	= TIL FLOWDIVIDER	TO FLOWDIVIDER	ZU FLOWDIVIDER	AU DIVISEUR DE DEBIT

MASSEY FERGUSON**MF 38 COMBINE, ->| 47597 - 1810921A****1810921A****HYDRAULICS - CHAF SPREADER****14-11**

Item	Part Number	Qty	Description
1	D28781029	1	O.I.B.
2	D45250900	1	Union
5	D45250900	1	Union
6	D28781030	1	Pipe
7	D45250700	1	Union
8	D45110039	1	Valve
10	D45250700	1	Union
11	D45272100	1	Connector
12	D28781033	1	O.I.B.
13	D45266900	1	Connector
14	D28781035	1	O.I.B.
15	D45130020	1	Hydr Hose
16	D45135000	1	Union
17	D45134900	1	Union
18	D45252800	1	Union
19	D28780423	1	Pipe
20	D45272100	1	Connector
21	D45272100	1	Connector
22	D28780423	1	Pipe
23	D45252800	1	Union
24	D45135000	1	Union
25	D45134900	1	Union
26	D45130020	1	Hydr Hose
27	D28781034	1	O.I.B.
28	D45250900	1	Union
29	D45264100	1	Union
30	D28781031	1	Pipe
31	D45250700	1	Union
32	D28780655	1	Pipe
33	D45264100	1	Union
34	D45266200	1	Union
35	D45272100	1	Connector
36	D45250700	1	Union
37	D45110036	1	Valve
38	D45250700	1	Union
39	D45272100	1	Connector
40	D45266100	1	Union
42	D45266100	1	Union



MASSEY FERGUSON

MF 38 COMBINE, ->| 47597 - 1810921A

1810921A

HYDRAULICS - SIDE KNIFE

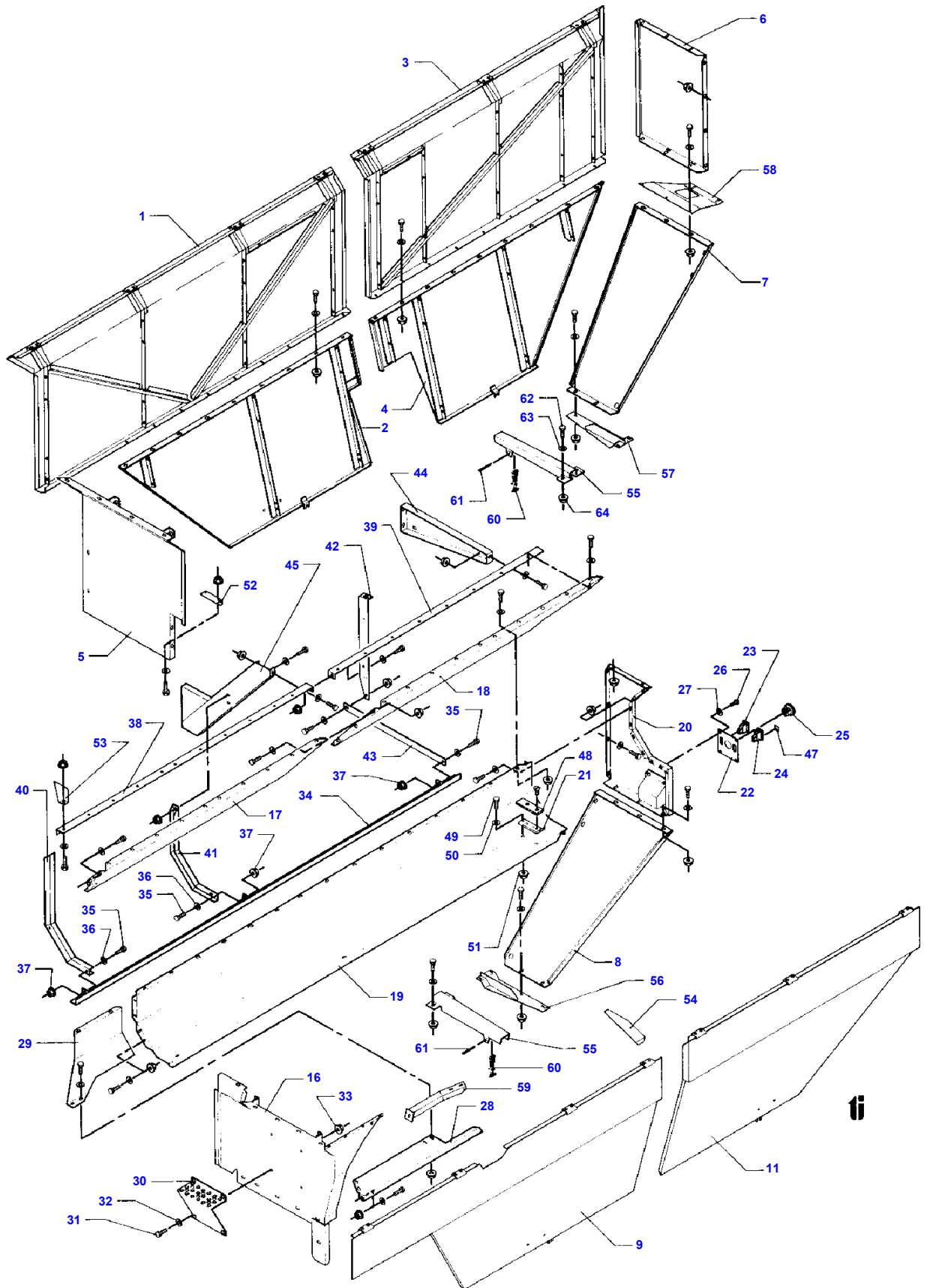
14-12

Item	Part Number	Qty	Description	Comments
1	D45254900	1	Union	
2	D28281011	1	Pipe	
3	D45250900	1	Union	
4	D45110046	1	Valve	
5	D45250900	1	Union	
6	D28281012	1	Pipe	
7	D45266200	1	Union	
8	D45272200	1	Union	
9	D45120700	1	Hydraulic Motor	
10	D28283977	1	Tube	
11	D45254100	1	Union	
12	D28283478	1	Tube	
13	D45254100	1	Union	
14	D28281514	2	Tube	(F3)
	D28281514	1	Tube	(T9)
15	D45254100	1	Union	
16	D28281506	1	Tube	
17	D45254100	1	Union	
18	D28283481	1	Tube	
19	D45125300	1	Pipe	
20	D45254100	1	Union	
21	D28283480	1	Tube	
22	D45125300	1	Pipe	
23	D45250800	1	Union	
24	D45135100	1	Union	
25	D45135200	1	Union	
26	D45250800	1	Union	
27	D45125300	1	Pipe	
28	D45250800	1	Union	
29	D45135100	1	Union	
30	D45135200	1	Union	
31	D45250800	1	Union	
32	D28283480	1	Tube	
33	D45254100	1	Union	
34	D45125300	1	Pipe	
35	D28283481	1	Tube	
36	D45254100	1	Union	
37	D28281506	1	Tube	
38	D45254100	1	Union	
39	D28281514	2	Tube	(F3)
	D28281514	1	Tube	(T9)
40	D45254100	1	Union	
41	D28283479	1	Tube	
42	D45254100	1	Union	
43	D28283477	1	Tube	
44	D45254100	1	Union	
45	D28281013	1	Pipe	POWER FLOW
	D28281025	1	Pipe	FREEFLO
46	D45125300	1	Pipe	
47	D45250800	1	Union	
48	D45135100	1	Union	
49	D45135200	1	Union	
50	D45250800	1	Union	
51	D44122000	1	Steering Unit	
52	D45125300	1	Pipe	
53	D45250800	1	Union	
54	D45135100	1	Union	
55	D45135200	1	Union	
56	D45250800	1	Union	
57	D28281014	1	Pipe	POWER FLOW
	D28281026	1	Pipe	FREEFLO
58	D45272200	1	Union	
59	D45250900	1	Union	
60	D44122000	1	Steering Unit	
61	D45252500	1	Connector	
62	D28281673	1	Tube	
63	D45130017	1	Hydr Hose	
64	D45252800	1	Union	
65	D45135000	1	Union	
66	D45134900	1	Union	

MASSEY FERGUSON**MF 38 COMBINE, ->| 47597 - 1810921A****1810921A****HYDRAULICS - SIDE KNIFE****14-12**

Item	Part Number	Qty	Description	Comments
67	D45252800	1	Union	
68	D28281670	1	Pipe	
69	D45254000	1	Union	
70	D28283979	1	Tube	
71	D45130017	1	Hydr Hose	
72	D45254000	1	Union	
73	D28283439	1	Pipe	
74	D45254000	1	Union	
75	D28283436	1	Pipe	(S3)
75	D28283436	2	Pipe	(T9)
75	D28283436	3	Pipe	(F3)
76	D45254000	1	Union	
77	D28283438	1	Pipe	(T7)
77	D28283438	1	Pipe	(T8)
78	D45254000	1	Union	
79	D28283978	1	Tube	
80	D45272100	1	Connector	
81	D45267300	1	Union	
82	D45272100	1	Connector	
83	D45266200	1	Union	
84	D28281671	1	Pipe	
85	D45254000	1	Union	
86	D28281670	1	Pipe	
87	D45252800	1	Union	
88	D45134900	1	Union	
89	D45135000	1	Union	
90	D45252800	1	Union	
91	D45130017	1	Hydr Hose	
92	D28281672	1	Tube	
93	D45252500	1	Connector	

(F3)
20'
(S3)
12'-14'
(T7)
14'
(T8)
18'
(T9)
16'-18'



MASSEY FERGUSON

MF 38 COMBINE, ->| 47597 - 1810921A

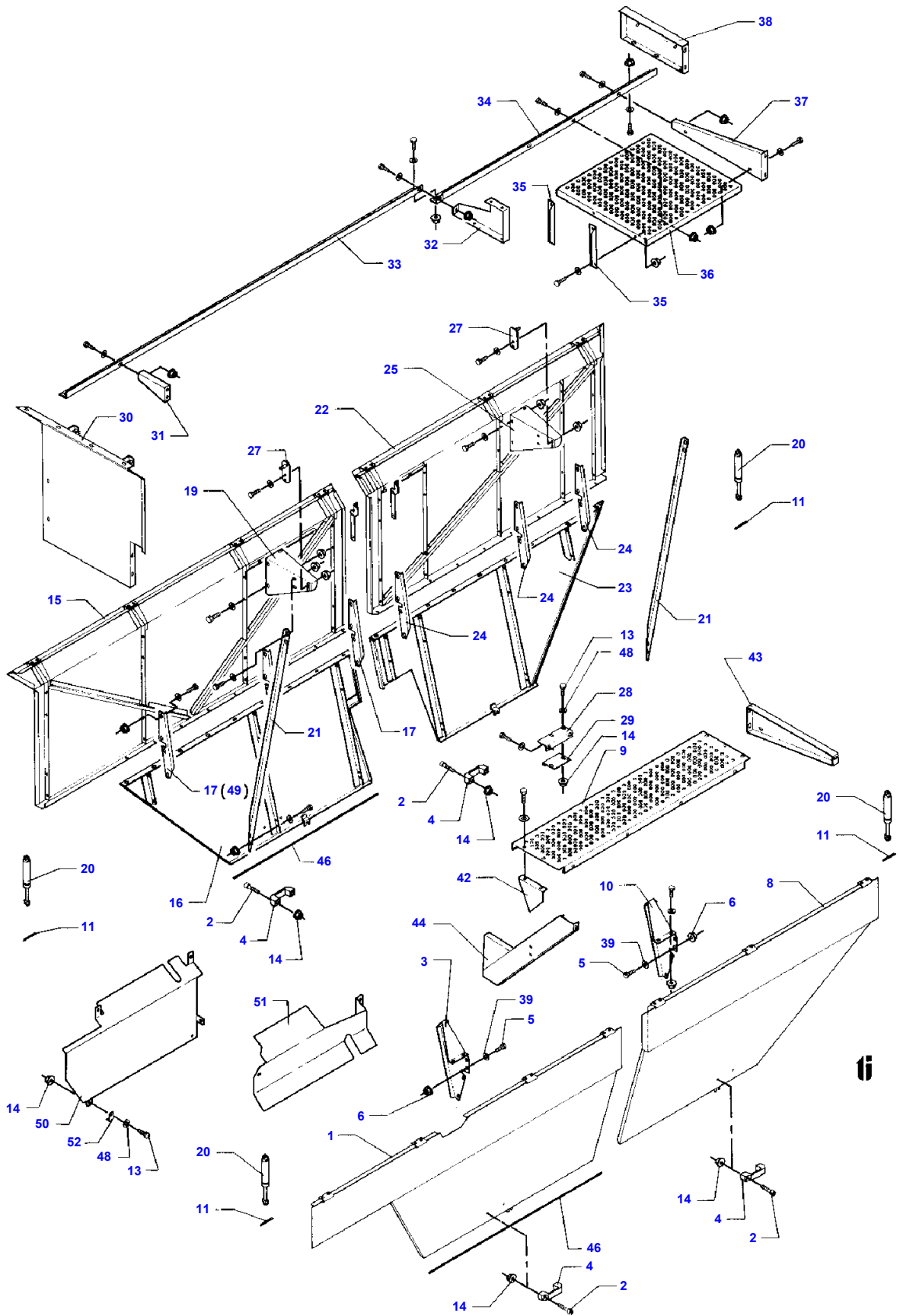
1810921A

15-1

LOWER GUARDING 1

Item	Part Number	Qty	Description	Comments
1	D28181137	1	Guard	(3)
	D28181167	1	Cowl	
2	D28180732	1	Cowl	
	D28181134	1	Guard	(3)
3	D28181168	1	Cowl	
4	D28180759	1	Cowl	
5	D28180501	1	Plate	
6	D28180788	1	Cowl	
7	D28180787	1	Cowl	
8	D28180786	1	Cowl	
9	D28181040	1	Cowl	
	D28181148	1	Guard	(3)
11	D28181045	1	Cowl	
16	D28180510	1	Guard	
17	D28180613	1	Cowl	
18	D28180614	1	Cowl	
19	D28180616	1	Cowl	
20	D28180615	1	Cowl	T.48216
	D28180618	1	Cowl	F.48313
21	D28181034	1	Stop	+F.46220
22	D28180621	1	Plate	T.47597
23	D45088300	1	Switch,Indirect	(64) T.47597
24	D45065000	1	Switch	(65)
25	D45060022	1	Rev Indicator	T.47597
26	D40688000	4	Screw	
27	D20400470	4	Washer	
28	D28180619	1	Cowl	
29	D28180620	1	Cowl	
30	D28180878	1	Step	
31	D40404900	4	Screw Metric	
32	D20400409	4	Washer	
33	D41013500	4	Nut	
34	D28180790	1	Band	
35	D40407700	3	Screw	
36	D20400471	3	Washer	
37	D41013600	3	Nut	
38	D28180794	1	Band	
39	D28180793	1	Band	
40	D28180796	1	Support	
41	D28181067	1	Support	
42	D28180479	1	Bracket	
43	D28180480	1	Tensioner	
44	D28180487	1	Bracket	
45	D28180802	1	Bracket	
47	D45065400	1	Decal	
48	D28181033	1	Stop	+F.46220
49	D40601500	2	Screw	
50	D20400414	2	Washer	
51	D41013500	2	Nut	
52	D28781001	1	Holder	
53	D28180798	1	Bracket	
54	D28180757	1	Support	
55	D28180830	2	Support	
56	D28180846	1	Support	
57	D28180849	1	Support	
58	D28180935	1	Plate	
59	D28180939	1	Bracket	
60	D44737100	2	Rubber Strap	
61	D41411100	2	SPLIT PIN	
62	D40402600	2	Screw Metric	
63	D20400470	2	Washer	
64	D41013400	2	Nut	

(3)
OPTIONAL EQUIPMENT
(64)
MAIN FAN
(65)
LIGHT, STRAW NOSE



MASSEY FERGUSON

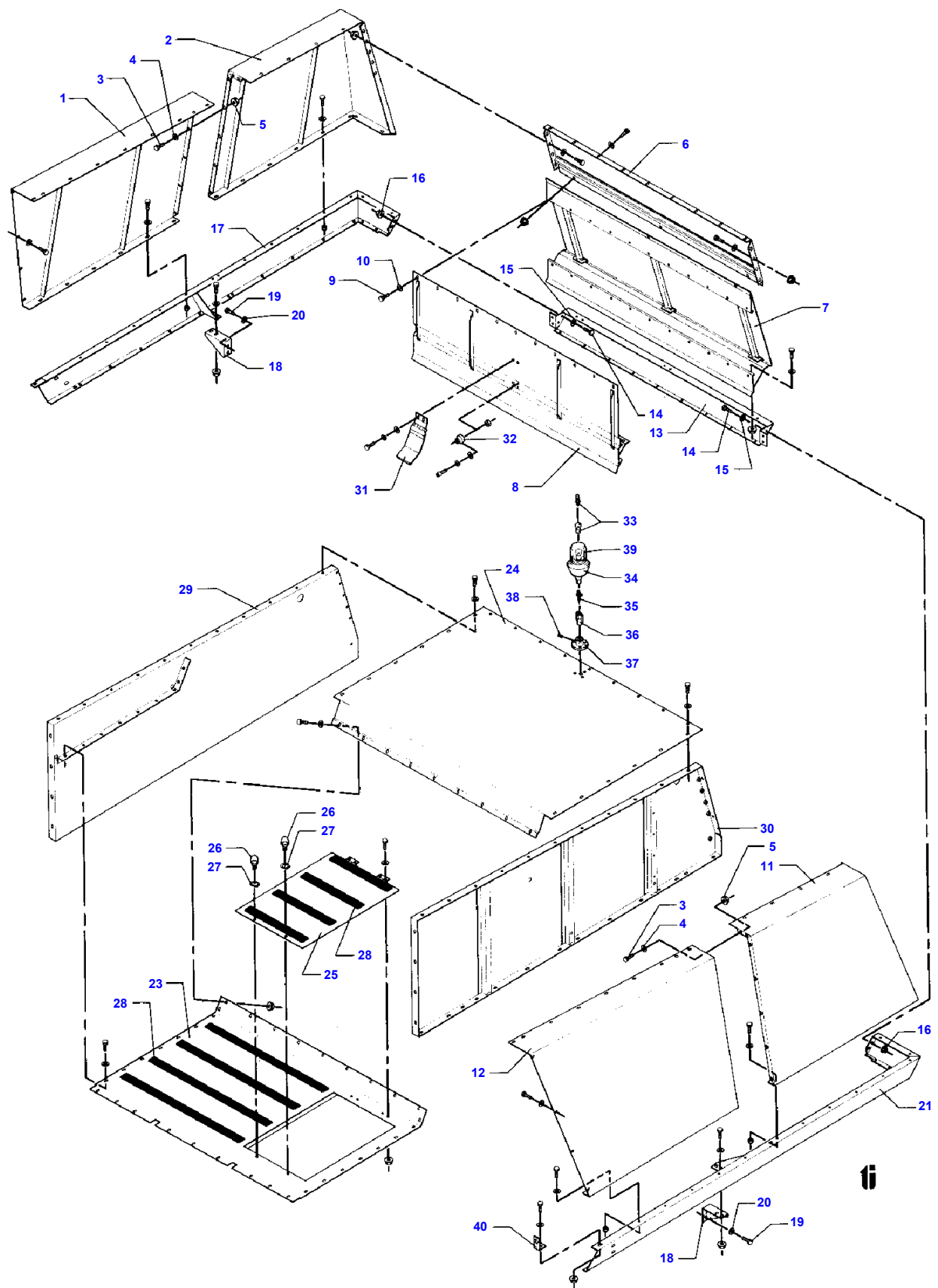
MF 38 COMBINE, ->| 47597 - 1810921A

1810921A

15-2

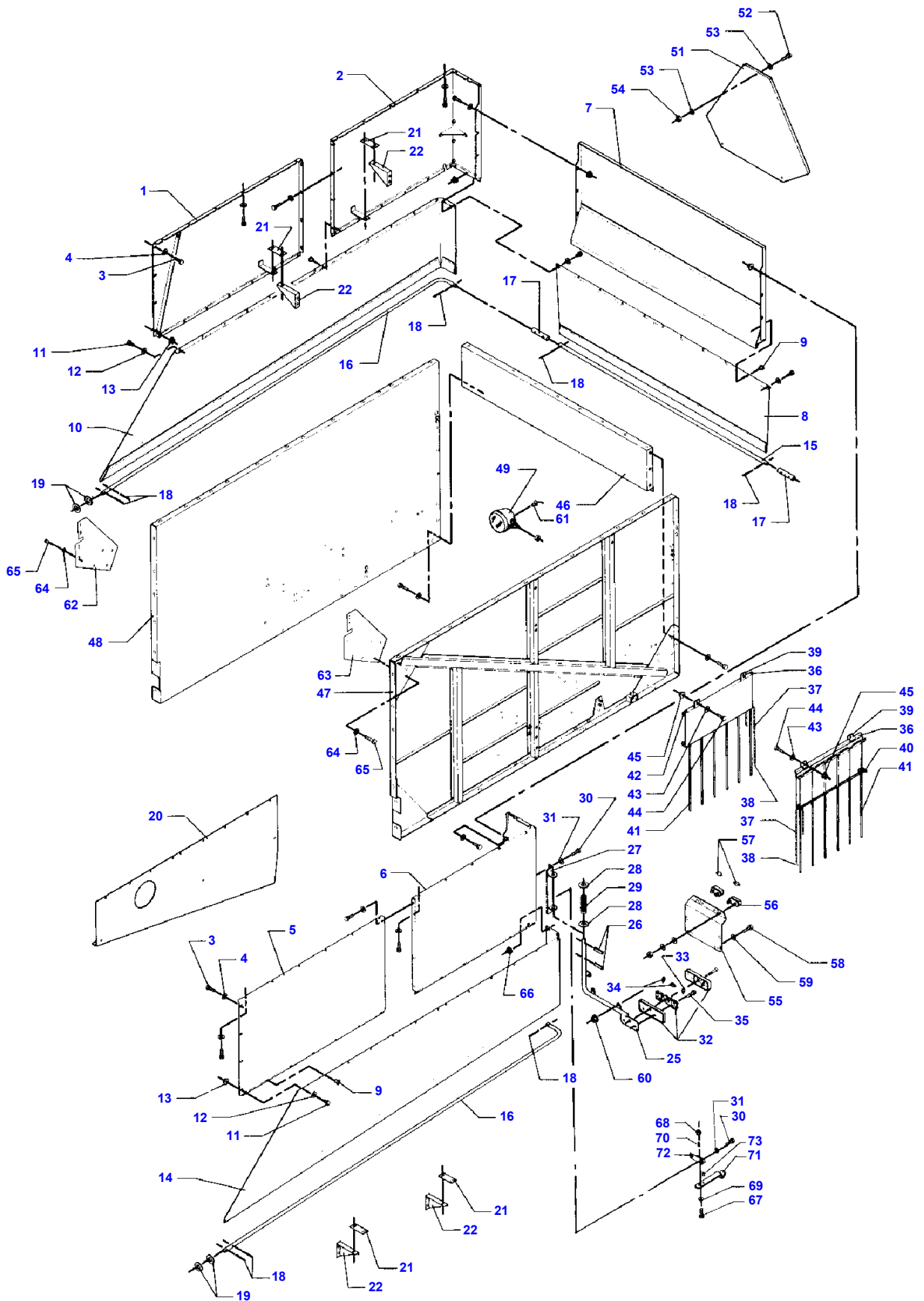
LOWER GUARDING 2

Item	Part Number	Qty	Description	Comments
1	D28181040	1	Cowl	
2	D28181148	1	Cowl	(3)
	D40690300		Screw Metric	
3	D28180676	1	Bracket	
4	D43386900	4	Handle	
5	D40404900	2	Screw Metric	
6	D41013500	2	Nut	
8	D28181045	1	Cowl	
9	D28180889	1	Step	
10	D28180751	1	Bracket	
11	D41404400	2	SPLIT PIN	
13	D40404900		Screw Metric	(5)
14	D41013500		Nut	(5)
15	D28181137	1	Cowl	(3)
	D28181167	1	Cowl	
16	D28180732	1	Cowl	
	D28181134	1	Cowl	(3)
17	D28180679	3	Bracket	
19	D28180677	1	Bracket	
20	D45056700	1	Cylinder	
21	D28180734	2	Support	
22	D28181168	1	Cowl	
23	D28180759	1	Cowl	
24	D28180679	3	Bracket	
25	D28181108	1	Support	
27	D28180739	2	Bracket	
28	D28180733	1	Stay	
29	D28180745	1	Stay	
30	D28180501	1	Plate	
31	D28180812	1	Bracket	
32	D28180811	1	Bracket	
33	D28180809	1	Band	Right Hand
34	D28180810	1	Band	Right Hand
35	D28180564	2	Retainer	
36	D28180565	1	Step	
37	D28180813	1	Bracket	
38	D28180905	1	Band	
39	D20400405		Washer	
42	D28181021	1	Bracket	
43	D28180487	1	Bracket	
44	D28180802	1	Bracket	
46	D44735900		Seal Section	1,000 M
48	D20400506		Spacer	(5)
49	D28181231	1	Console	(3)
50	D28780727	1	Support	
51	D28780729	1	Support	
52	D28880370	1	Support	
				(3)
				OPTIONAL EQUIPMENT
				(5)
				OPTIONAL



STRAW NOSE

Item	Part Number	Qty	Description	Comments
1	D28180326	1	Cowl	
2	D28180324	1	Cowl	
3	D40404700		Screw Metric	
4	D20400409		Washer	
5	D41013500		Nut	
6	D28180169	1	Plate	
7	D28180146	1	Shutter	
8	D28180173	1	Cowl	
9	D40404900	1	Screw Metric	(5)
10	D20400409		Washer	(5)
11	D28180325	1	Guard	
12	D28180327	1	Cowl	
13	D28180181	1	Band	
14	D40407700	4	Screw	
15	D20400471	4	Washer	
16	D41087600	4	Locknut	
17	D28180276	1	Band	
18	D28180177	2	Bracket	
19	D40407600	4	Screw	
20	D20400416	4	Washer	
21	D28180277	1	Band	
23	D28180159	1	Shield	
24	D28180167	1	Shield	
25	D28150137	1	Shutter	
26	D43427200	2	Pin	
27	D42555500	2	Circlip	
28	D44738900		Strip	3 M
29	D28180137	1	Shield	
30	D28180138	1	Shield	
31	D28780545	1	Alarm	
32	D45087200	1	Switch, Indirect	
33	D45006200	1	Bulb	
	D45081000	1	Bulb	
	D28780302	1		POS. 34-38
34	D45051200	1	Lamp	
35	D45068200	1	Plug	
36	D45051300	1	Retainer	
37	D28950553	1	Console	
38	D40630900	1	Pin	
39	D45051900	1	Glass	(D3)
	D45060043	1	Glass	(D4)
	D45060044	1	Glass	(D5)
40	D28180929	1	Elbow	(D3) HELLA WITH METAL BOTTOM (D4) AEB 590 (D5) OPTILUX WITH PLAST BOTTOM (5) OPTIONAL



MASSEY FERGUSON

MF 38 COMBINE, ->| 47597 - 1810921A

1810921A

STRAW NOSE - LOWER GUARDING AND WIND GUARDING

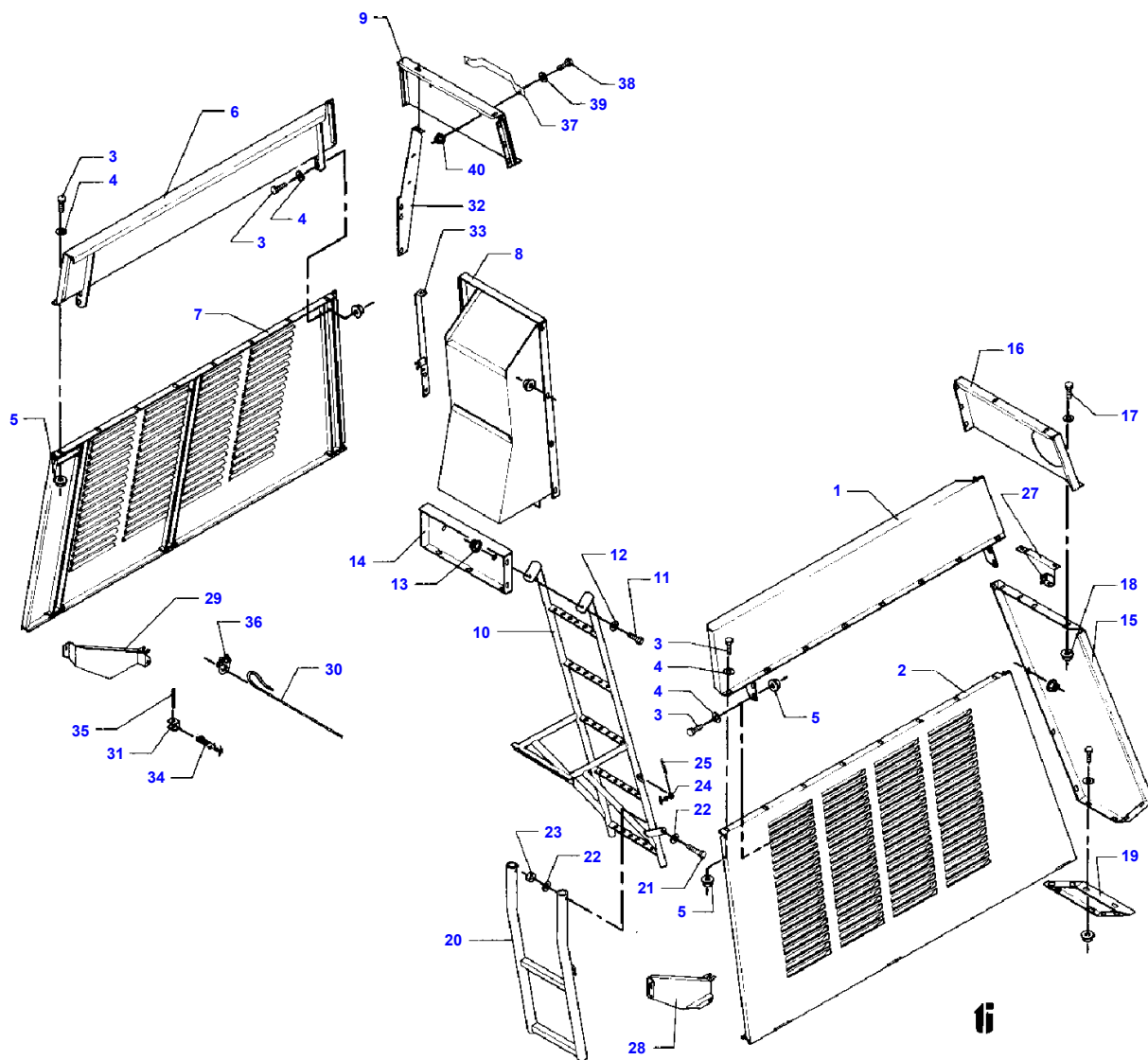
15-4

Item	Part Number	Qty	Description	Comments
1	D28180335	1	Plate	
2	D28180346	1	Plate	
3	D40404900		Screw Metric	(5)
4	D20400409		Washer	(5)
5	D28180331	1	Plate	
6	D28180347	1	Plate	
7	D28180171	1	Cowl	
8	D28180334	1	Guard	
9	D43427400	1	Fastener	(5)
10	D28180710	1	Shield	Right Hand
11	D40402400		Screw Metric	(5)
12	D20400404		Washer	(5)
13	D41013400		Nut	(5)
14	D28180338	1	Guard	Left Hand
15	D28180340	1	Pipe	
16	D28180341	2	Pipe	
17	D28150175	2	Pin	
18	D41405800	8	Pin	
19	D20400520	4	Spacer	
20	D28180596	1	Guard	
21	D28180998	4	Plate	
22	D28180777	4	Bracket	
	D28780819	1	Arm	Right Hand (D2) P.25-29
	D28780820	1	Arm	Left Hand (D2) P.25-29
25	D28780816	1	Arm	(D2)
26	D42612300	2	Pin	
27	D28751068	1	Bracket	T.48037
	D28751069	1	Bracket	T.48037 Left Hand
27	D28784163	1	Bracket	F.48038
	D28784164	1	Support	F.48038
28	D20400467	4	Washer	
29	D28760286	2	Spring	
30	D40404900	5	Screw Metric	
31	D20400409	7	Washer	
32	D45077300	1	Lh Rear Lamp	Right Hand
33	D45080700	1	Bulb	
34	D450780600	2	Bulb	
35	D40400700	2	Screw Metric	
	D28180352	1	Guide	POS. 36 - 45
36	D28181025	1	Deflector	
37	D28100327	1	Chain	
38	D42386000	2	Hook	
39	D28160299	2	Hinge	
40	D28181024	1	Frame	
41	D28181046	7	Tooth	
42	D28181047	1	Crank	
43	D20400470	4	Washer	
44	D40402400	4	Screw Metric	
45	D41013400	4	Nut	
46	D28180692	1	Shield	
47	D28180688	1	Shield	
48	D28180689	1	Shield	
49	D45060045	1	Work Light	
50	D41013600	1	Nut	
51	D45084500	1	Reflector	
52	D40400900	3	Setscrew	
53	D20400401	6	Washer	
54	D41087300	3	Locknut	
55	D28752224	1	Plate	
56	D45085500	2	Lamp	
57	D45080900	2	Bulb	
58	D40402600	3	Screw Metric	
59	D20400470	3	Washer	
60	D41013400	3	Nut	
61	D45080200	1	Bulb	

MASSEY FERGUSON**MF 38 COMBINE, ->| 47597 - 1810921A****1810921A****STRAW NOSE - LOWER GUARDING AND WIND GUARDING****15-4**

Item	Part Number	Qty	Description	Comments
62	D28181084	1	Reinforcement	
63	D28181010	1	Reinforcement	
64	D20400416	8	Washer	
65	D40407800	8	HEXAGON SCREW	
66	D41013500	4	Nut	
67	D40426000	2	Screw	
68	D41087600	2	Locknut	
69	D20400471	2	Washer	
70	D27800277	2	Spring	
71	D28850684	2	Spring	
72	D28880403	2	Console	
73	D42608700	2	Tensioner	

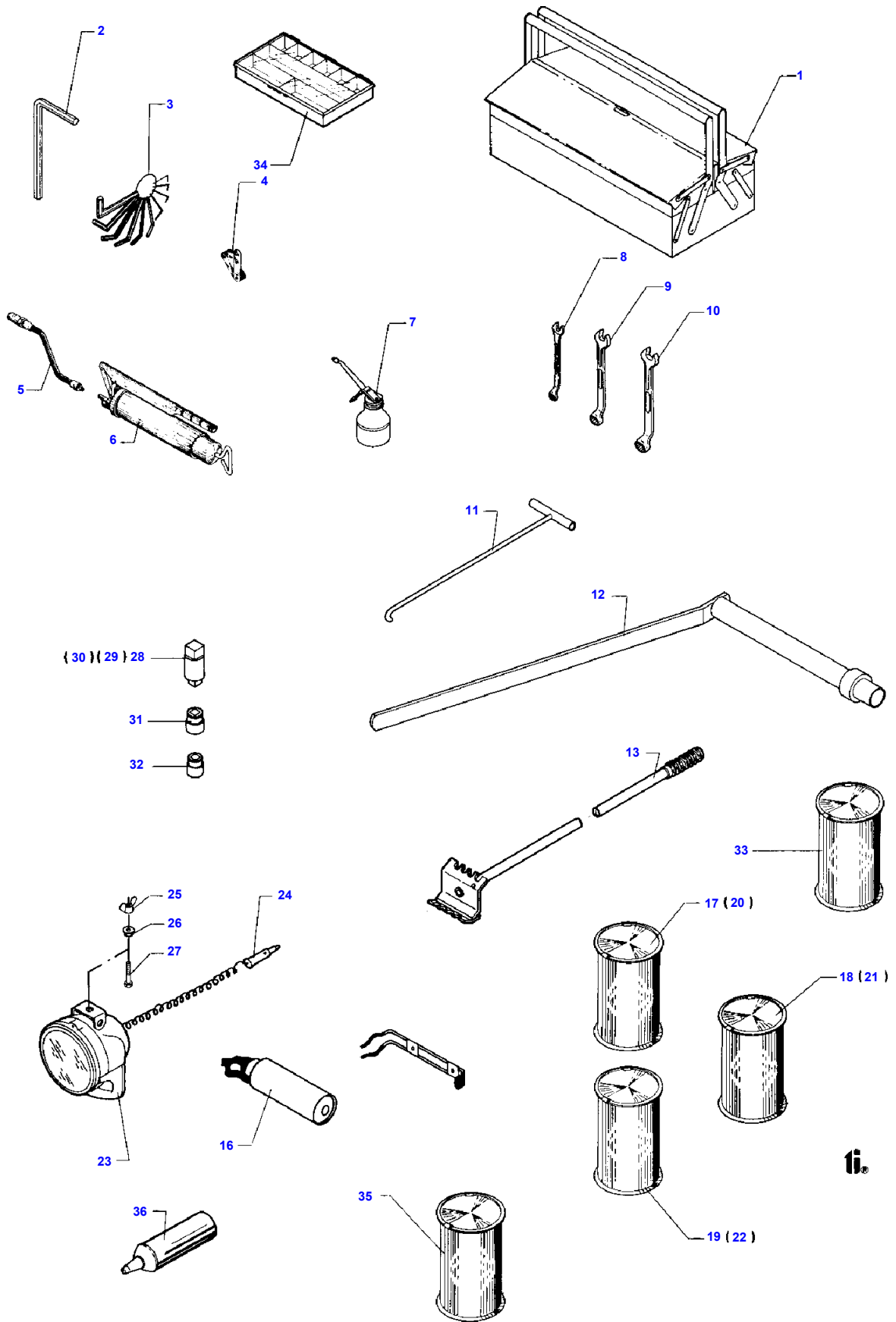
(D2)
USED +F.46220
(5)
OPTIONAL



MASSEY FERGUSON**MF 38 COMBINE, -> 47597 - 1810921A****1810921A****UPPER GUARDING - ENGINE****15-5**

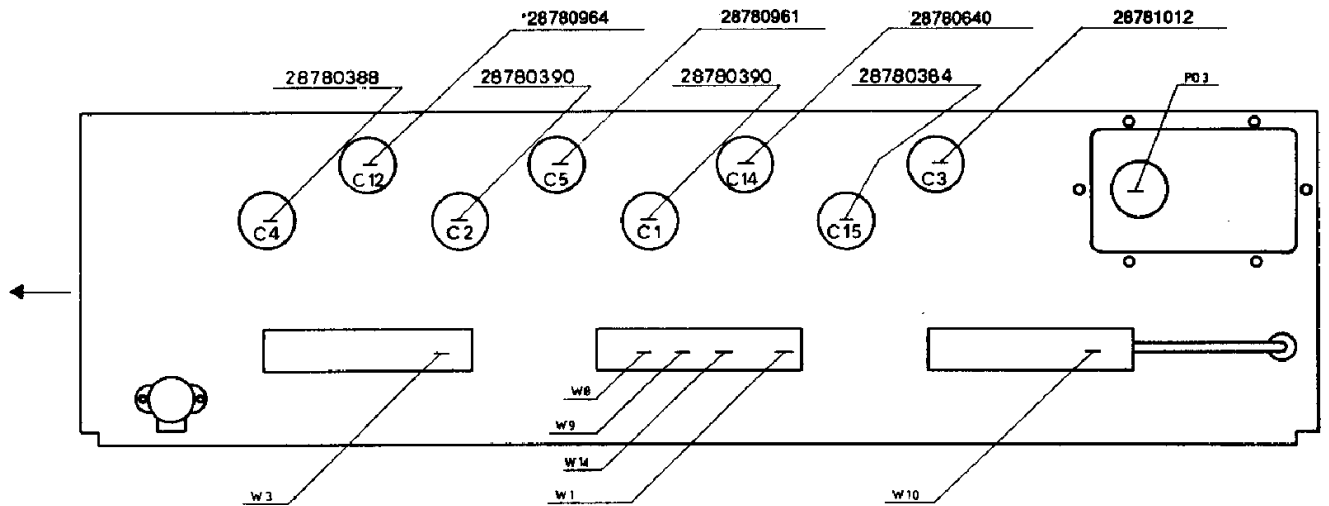
Item	Part Number	Qty	Description	Comments
1	D28180894	1	Cover	
2	D28180896	1	Shutter	
3	D40404900		Screw Metric	(5)
4	D20400409		Washer	(5)
5	D41013500		Nut	(5)
6	D28180895	1	Shutter	
7	D28180897	1	Shutter	
8	D28180209	1	Hydr Hose	
9	D28180906	1	Corner	
10	D28180684	1	Ladder	
11	D40407800	2	HEXAGON SCREW	
12	D20400471	2	Washer	
13	D41013600	2	Nut	
14	D28180905	1	Band	
15	D28180907	1	Plate	
16	D28180904	1	Corner	
17	D40404700		Screw Metric	
18	D41013500		Nut	
19	D28180625	1	Band	
20	D28151081	1	Step	
21	D40423700	2	HEXAGON SCREW	
22	D20400506	4	Spacer	
23	D41087500	2	Locknut	
24	D44737200	1	Rubber Strap	
25	D41411100	1	SPLIT PIN	
27	D28180955	1	Retainer	
28	D28180950	1	Bracket	
29	D28180949	1	Bracket	
30	D28180957	4	Stem	
31	D28180969	2	Bracket	
32	D28180912	1	Reinforcement	
33	D28180945	1	Bracket	
34	D44737100	4	Rubber Strap	
35	D41411100	4	SPLIT PIN	
36	D43405900	16	Lock	
37	D28130373	1	Handle	
38	D40402400	2	Screw Metric	
39	D20400404	2	Washer	
40	D41013400	2	Nut	

(5)
OPTIONAL



TOOLS - PAINT

Item	Part Number	Qty	Description	Comments
1	D43712600	1	Tool Box	
2	D43704400	1	Allen Key	
3	D43705100	1	Kit	
4	D27300186	1	Feeler Guage	
5	D43709800	1	Hose	
6	D43709700	1	Grease Gun	
7	D43710300	1	Oil Can	
8	D43707700	1	Spanner	
9	D43707800	1	Spanner	
10	D43707900	1	Spanner	
11	D28530187	1	Tool	
12	D28380136	1	Key	
13	D28450569	1	Scraper	
16	D43713400	1	Extinguisher	6 KG
	D43713500	1	Extinguisher	3 KG
	D43714200	1	Extinguisher	2 KG
17	D49200500		Paint Orange	0 3/4L
	D49200600		Paint Orange	0 5L
18	D49203400		Paint Brown	B 3/4L
	D49203600		Paint Brown	B 5L
19	D49203900		Paint	MR 3/4L
	D49204100		Paint	MR 5L
20	D49206000		Paint Orange	O SPRAY
21	D49206200		Aerosol	B SPRAY
22	D49206300		Paint Red	MR SPRAY
	D28761343	1	Work Light	POS. 23-27
23	D45077700	1	Work Light	
24	D45026600	1	Intake	
25	D41057200	1	Wing Nut	
26	D41013600	1	Nut	
27	D40408300	1	Screw Metric	
	D28151359	1	Extension	POS. 28-30
28	D28151358	1	Connector	
29	D28151357	1	Spring	
30	D41647600	1	Ball	
31	D43709600	1	Key	
32	D43708900	1	Key	
33	D49204700	1		DR 3/4L
	D49204900	1		DR 5 L
34	D28780770	1	Parts Pack	
35	D49205200	1	Paint	DS 3/4L
36	D49208700	1	Grease	



WIRING

Part Number	Description	Comments
28780205		+
28780640	WIRING	
28780363	WIRING	FOR TABLE 1
28780383	WIRING	Right Hand (GRAIN TANK, FUEL TANK, DRUM REVOLUTIONS, FAN REVOLUTIONS, DISCHARGE AUGER CLUTCH) T.47597
28780961	WIRING	Right Hand (GRAIN TANK, FUEL TANK, DRUM REVOLUTIONS, FAN REVOLUTIONS, DISCHARGE AUGER CLUTCH) T.47598
28780384	WIRING	Left Hand (THRESHING ENGAGEMENT, JUNCTION BOX REAR)
28781012	WIRING	REAR (STRAW NOSE)
28780388	WIRING	FRONT LIGHT
28780389	WIRING	HARVEST FUNCTION, FRONT (TABLE, FLOW DIVIDER, DISCHARGE AUGER OUT/IN) TABLE 1
28780964	WIRING	HARVEST FUNCTION FRONT (TABLE, FLOW DIVIDER, DISCHARGE AUGER OUT/IN) TABLE 2
28780390	WIRING	CAB
28780391	Feeder	FOR CAB
28780392	WIRING	DANIAVISION/SUPERVISION (REV., CUTTING HEIGHT, STONE TRAP, TRACTION) T.47673
28781018	WIRING	DANIAVISION/SUPERVISION (REV., CUTTING HEIGHT, STONE TRAP, TRACTION) F.47674
2870393	WIRING	DANIAVISION (MONITOR, PRINTER)
28780394	WIRING	DANIAVISION/FLOW CONTROL (FLOW CONTROL, GRAIN LOSS MONITOR)
28780396	WIRING	DANIAVISION BUS CABLE
28780506	Cable	-
28780515	Cable	(ACCUMULATOR - MAIN SWITCH)
28780612	WIRING	FOR WIPER
28780613	WIRING	WORKING LIGHT (CAB ROOF)
28780778	WIRING	PIPE FEELER D9000
28980996	WIRING	FOR RADIO CPL.
28280613	WIRING	FOR TABLE TRAILER 1
28780800	WIRING	FOR STRAW ALARM
28780962	Cable	FOR REVERSE DRIVE
28780688	WIRING	FOR AIR-CONDITION
28780985	WIRING	FOR TABLE TRAILER 2
28780986	WIRING	TENSION ROD, TABLE TRAILER 2

MASSEY FERGUSON

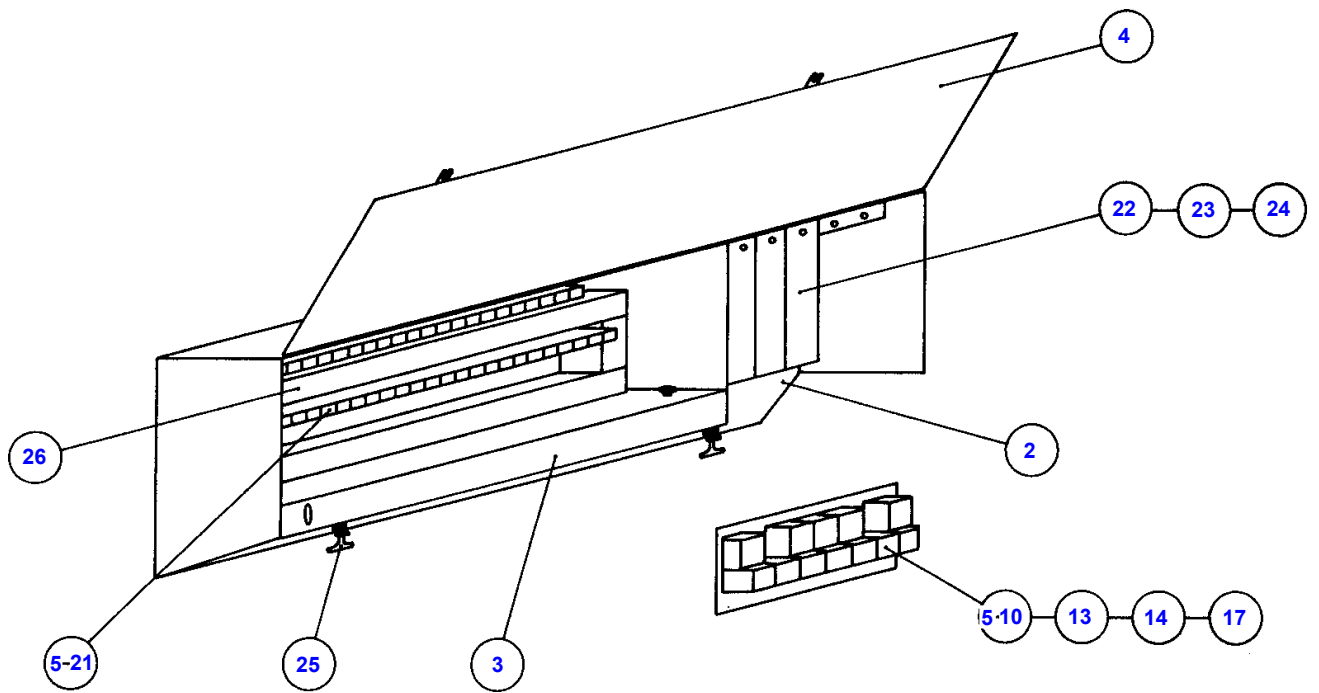
MF 38 COMBINE, ->| 47597 - 1810921A

1810921A

WIRING

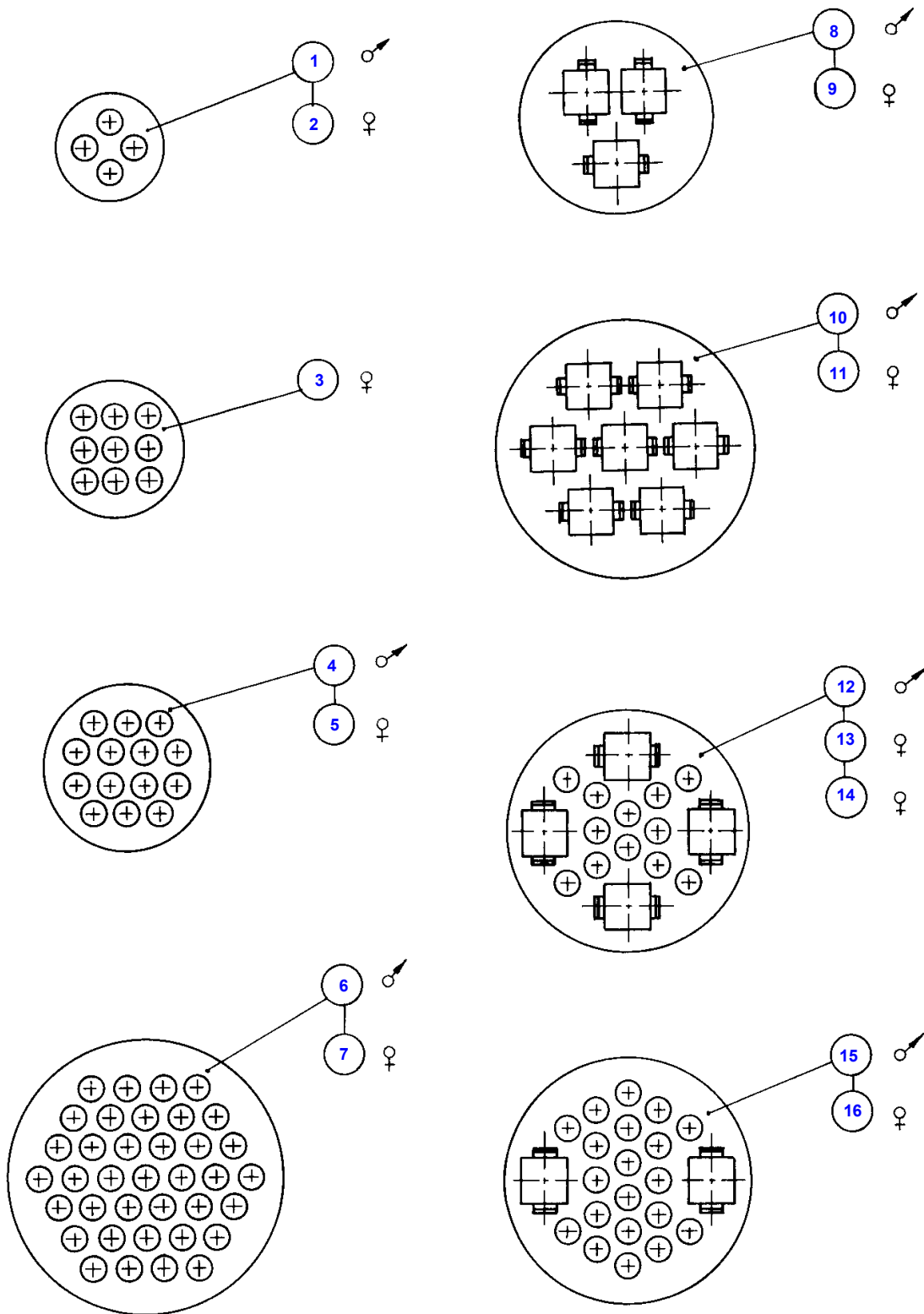
16-2

Part Number	Description	Comments
28780987	WIRING	LIGHTENING BRACKET



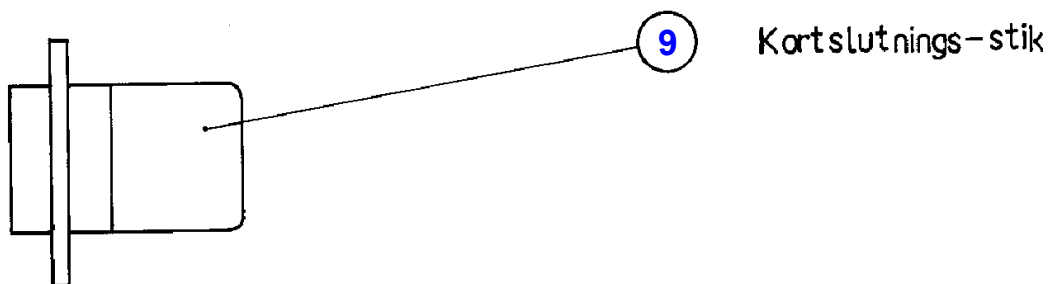
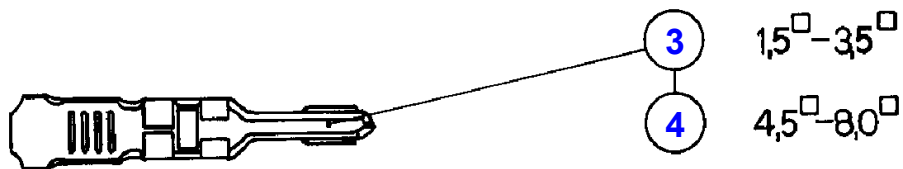
ELECTRICAL PARTS

Item	Part Number	Qty	Description
1	D28780969	1	Case Assy
2	D28780721	1	Rail
3	D28780891	1	Plate
4	D28780892	1	Cover
5	D45010068	43	Relay
6	D45010069	20	Fuse
7	D45010070	3	Fuse
8	D45010071	2	Fuse
9	D45010072	8	Fuse
10	D45010073	4	Fuse
11	D45010074	1	Fuse
12	D45010075	2	Fuse
13	D45010076	52	Fuse Holder
14	D45010094	13	Diode
15	D45010096	1	Rail
16	D45010099	2	Rail
17	D45060021	24	Relay
18	D45070089	2	Relay
19	D45086800	1	Relay
20	D45087700	16	Relay
21	D45088800	1	Relay
22	D45062400	1	Module
23	D45070091	1	Module
24	D45062600	1	Module
25	D44737200	2	Rubber Strap
26	D49100078	1	Transfer



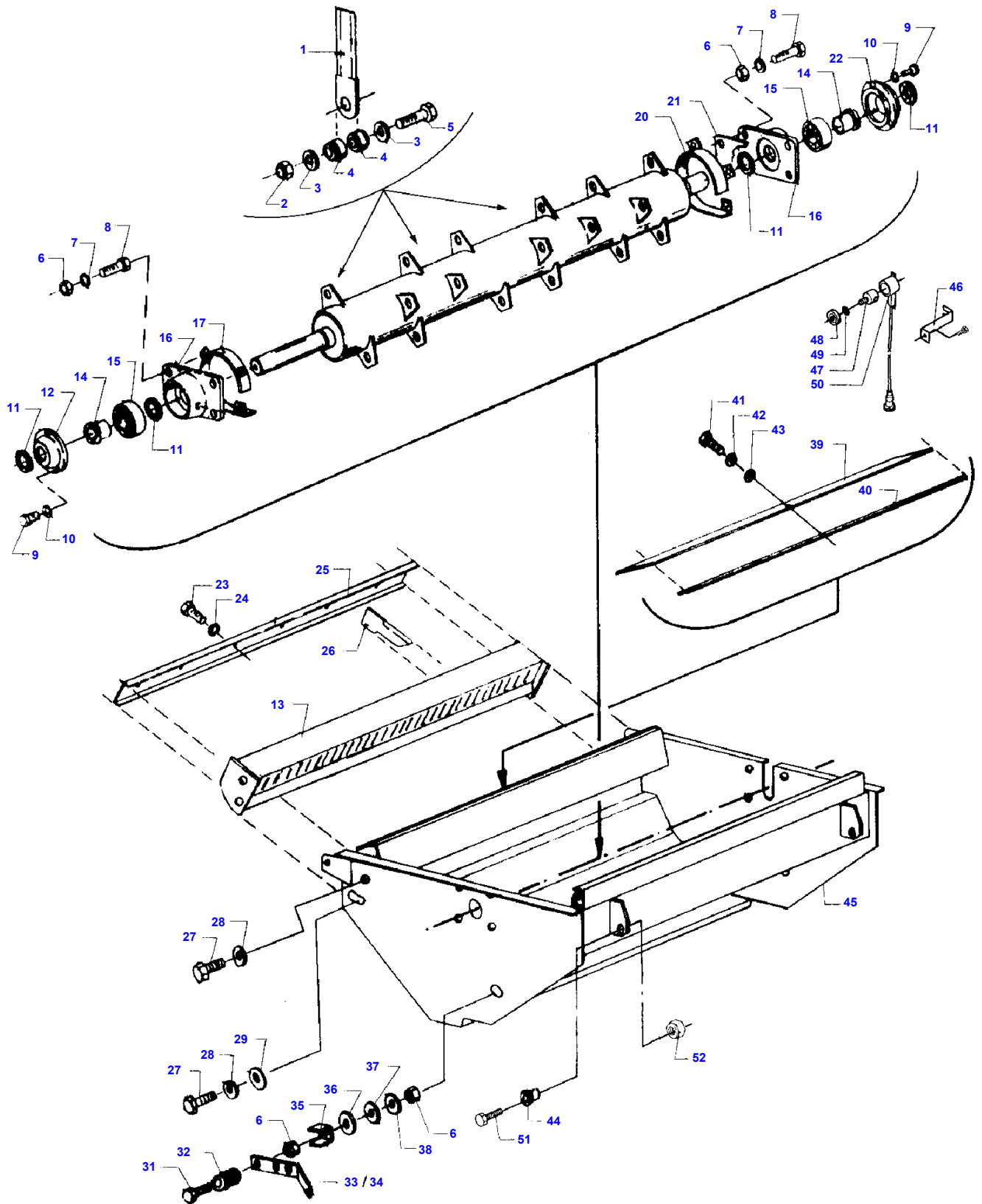
PLUG**16-4**

Item	Part Number	Description
1	D45010005	Plug
2	D45010006	Plug
3	D45010043	Intake
4	D45010010	Intake
5	D45010009	Intake
6	D45010008	Intake
7	D45010007	Intake
8	D45010012	Plug
9	D45010011	Plug
10	D45010014	Intake
11	D45010013	Intake
12	D45010018	Intake
13	D45010017	Plug
14	D45010055	Intake
15	D45010020	Intake
16	D45010019	Plug



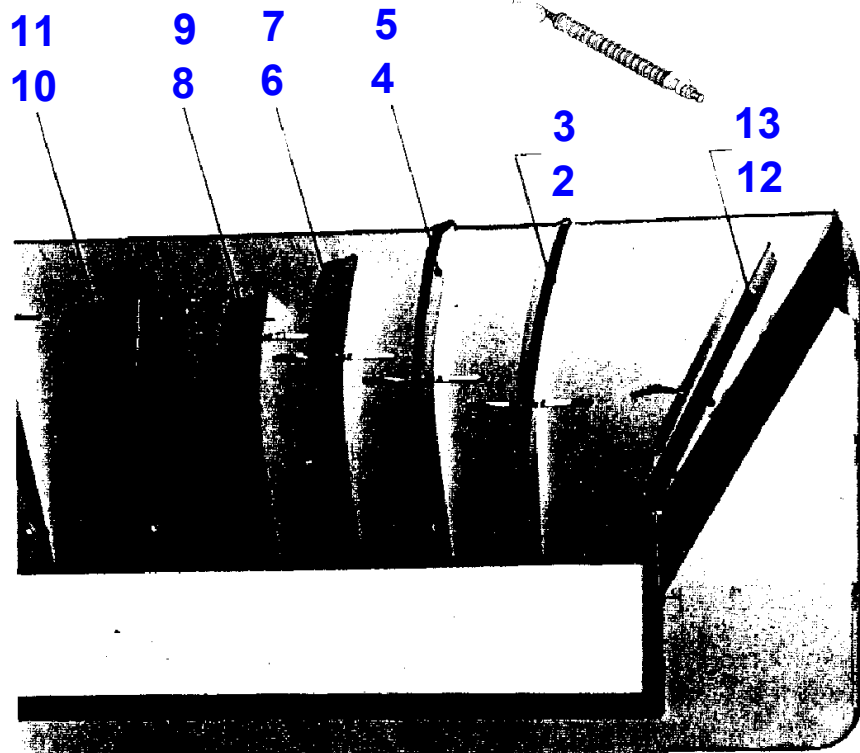
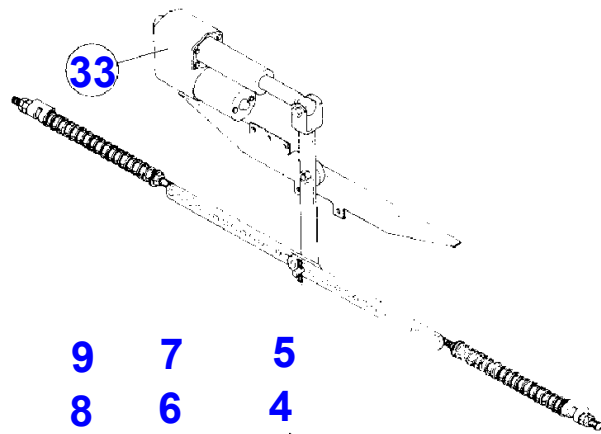
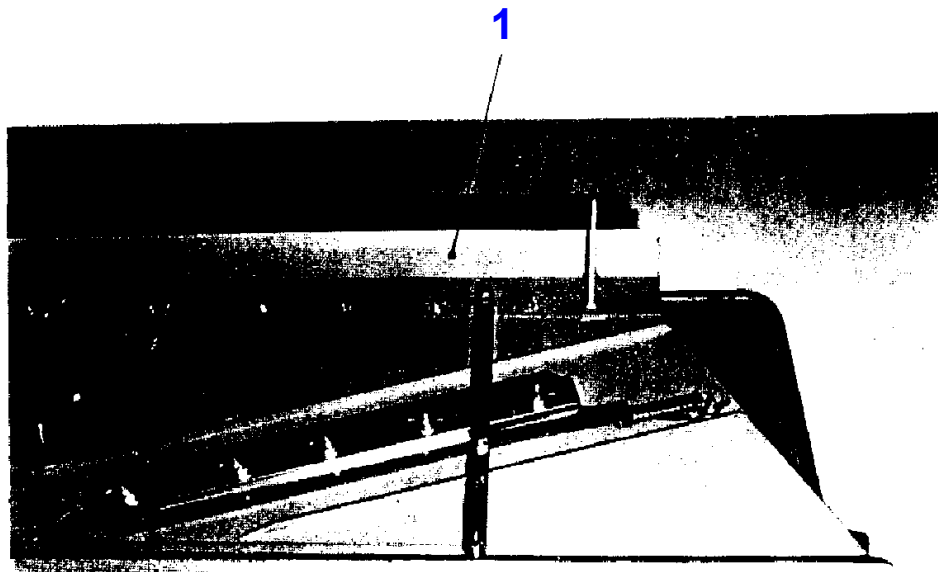
MASSEY FERGUSON**MF 38 COMBINE, ->| 47597 - 1810921A****1810921A****CABLE EYE - SHORT-CIRCUIT PLUG****16-5**

Item	Part Number	Description
1	D45010021	Eye
2	D45010022	Eye
3	D45010023	Eye
4	D45010025	Connector
5	D45010024	Eye
6	D45010026	Eye
7	D45010027	Eye
8	D45010028	Eye
9	D28780791	Plug



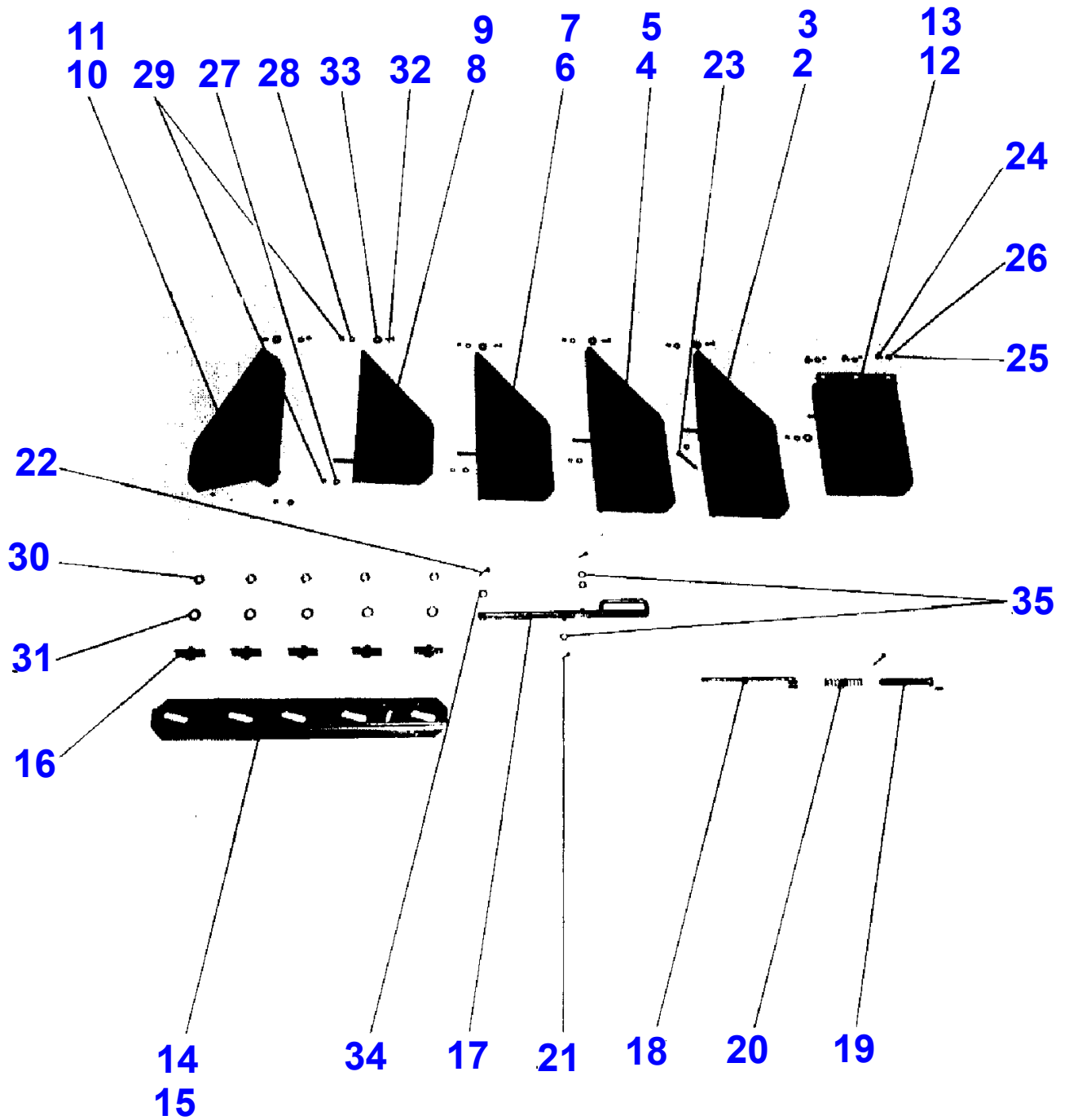
STRAW CHOPPER

Item	Part Number	Qty	Description	Comments
	D49092000		Grinder	POS. 1-44
	D49098100	1	Cylinder	POS. 1-5
1	D49017800	68	Knife	
	D49062900	68	Blade	(80)
2	D41010800	34	Nut Metric	
3	D49018000	68	Washer	
4	D49017900	68	Bush	
5	D40426000	34	Screw	
6	D41010900	12	Nut Metric	
7	D41100900	8	Washer	
8	D40410900	8	Screw	
9	D40402600	6	Screw Metric	
10	D41100600	6	Washer	
11	D49090200	4	Seal	
12	D49090300	1	Cover	
13	D49090400	1	Bar	
14	D41641100	2	Adaptor	
15	D41603800	2	Bearing Ball	
16	D49090600	2	Bearing Housing	
17	D49090700	1	Guard	
20	D49090900	1	Guard	
21	D49091000	1	Plate	
22	D49091100	1	Cover	
23	D40405100	11	Screw Metric	
25	D49091200	1	Bar	
26	D49018300	64	Knife	
	D49096600	64	Blade	(80)
31	D40428800	2	HEXAGON SCREW	
32	D49091300	2	Spring	
33	D49091400	1	Lever	
34	D49091500	1	Lever	
35	D49091600	1	Guide	
36	D49091700	2	Spacer	
39	D49091800	1	Plate	
40	D49091900	1	Rail	
41	D40402400	8	Screw Metric	
42	D41100600	8	Washer	
44	D49092200	2	Bush	
45	D49098500	1	Housing	
46	D28780743	1	Fitting	
47	D28780516	1	Bolt	
48	D41622600	1	Bearing Ball	
49	D20400419	1	Washer	
50	D28780514	1	Sensor	
51	D40416600	2	Screw Metric	
52	D41087900	2	Locknut	
				(80) KNIFE SERATED



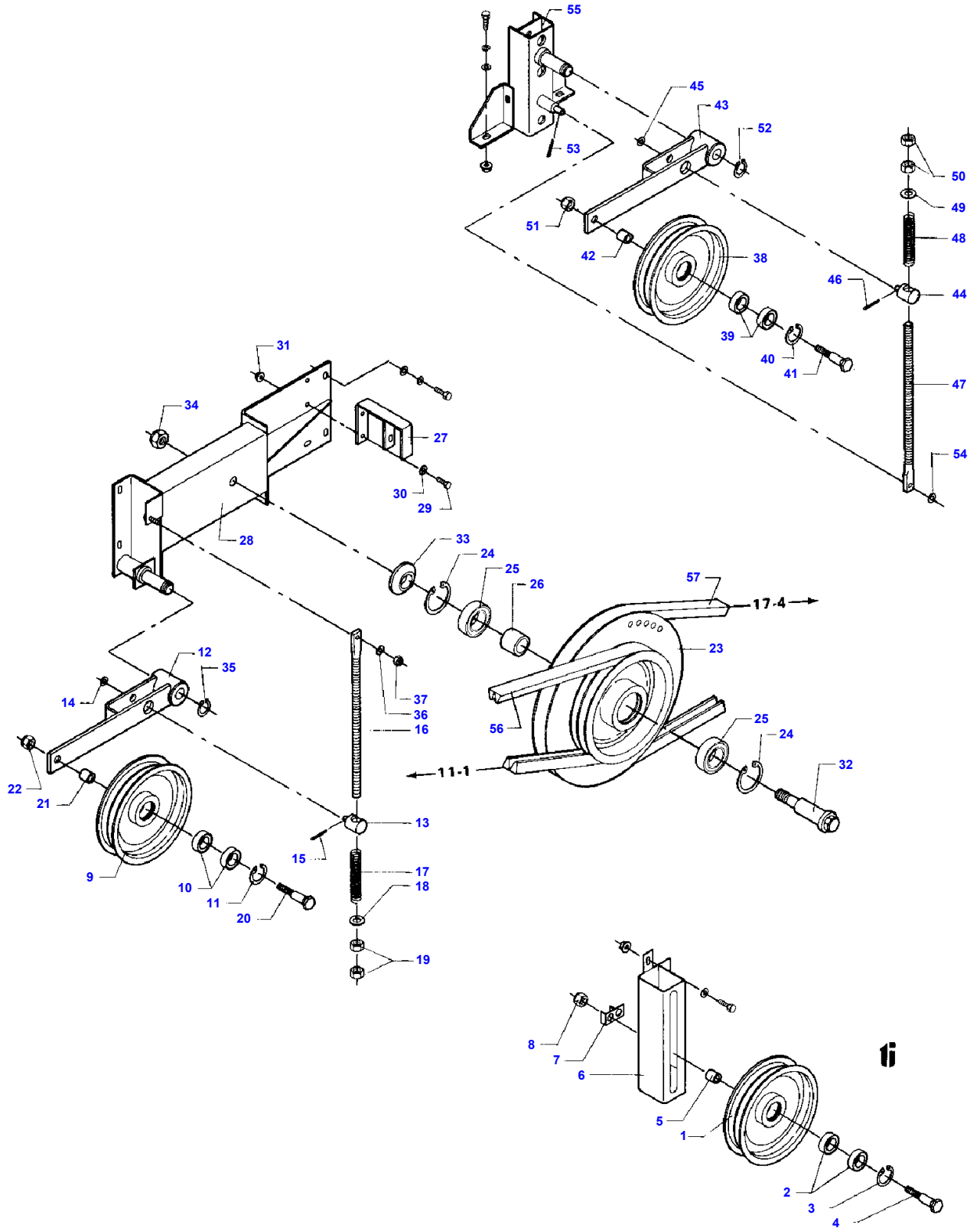
MASSEY FERGUSON**MF 38 COMBINE, ->| 47597 - 1810921A****1810921A****DISTRIBUTOR BOX****17-2A**

Item	Part Number	Qty	Description	Comments
1	D49092100	1	Box	
2	D49092300	1	Wing	
3	D49092400	1	Wing	Right Hand
4	D49092500	1	Wing	Left Hand
5	D49092600	1	Wing	Right Hand
6	D49092700	1	Wing	Left Hand
7	D49092800	1	Wing	Right Hand
8	D49092900	1	Wing	Left Hand
9	D49093000	1	Wing	Right Hand
10	D49093100	1	Wing	Left Hand
11	D49093200	1	Wing	Right Hand
12	D49097600	1	Flap	Left Hand
13	D49097700	1	Flap	Right Hand
33	D45070038		Ram	



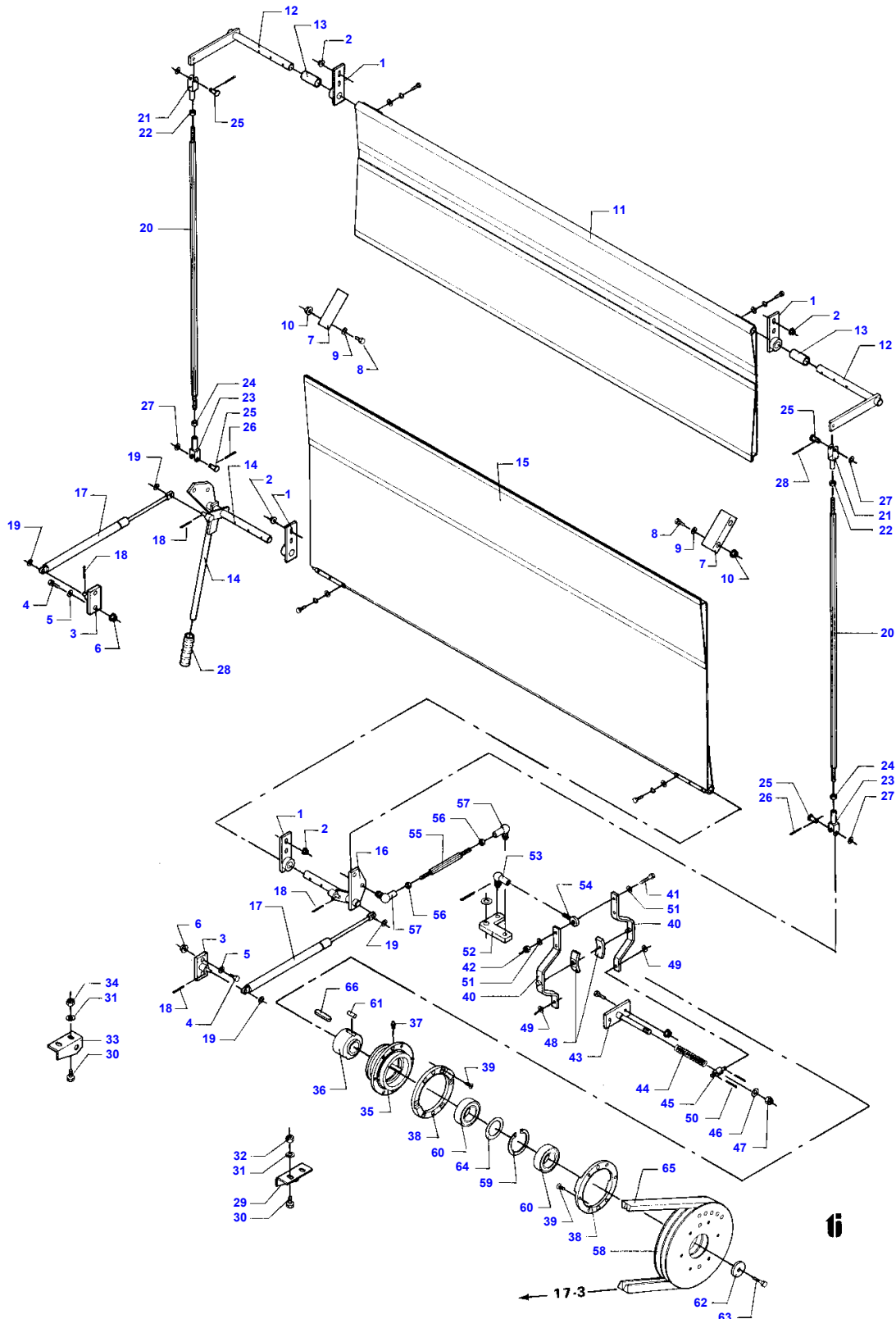
DISTRIBUTOR BOX

Item	Part Number	Qty	Description	Comments
1	D49092100	1	Box	
2	D49092300	1	Wing	
3	D49092400	1	Wing	Right Hand
4	D49092500	1	Wing	Left Hand
5	D49092600	1	Wing	Right Hand
6	D49092700	1	Wing	Left Hand
7	D49092800	1	Wing	Right Hand
8	D49092900	1	Wing	Left Hand
9	D49093000	1	Wing	Right Hand
10	D49093100	1	Wing	Left Hand
11	D49093200	1	Wing	Right Hand
12	D49097600	1	Flap	Left Hand
13	D49097700	1	Flap	Right Hand
14	D49093300	1	Guide	Left Hand
15	D49096800		Guide	Right Hand
16	D49096900	10	Screw	
17	D49097000	2	Lever	
18	D49097800	2	Rod	
19	D49097900	2	Tube	
20	D49098000	2	Spring	
22	D41408800	2	Pin	
23	D49097100	2	Latch	
24	D40060500	6	Screw Metric	
25	D41010600	6	Nut	
29	D41010700	20	Nut Metric	
30	D41011100	10	Nut	
32	D40404900	10	Screw Metric	



MASSEY FERGUSON**MF 38 COMBINE, ->| 47597 - 1810921A****1810921A****COUNTER DRIVE FOR STRAW CHOPPER****17-3**

Item	Part Number	Qty	Description
1	D28250441	1	Roller
2	D41622700	2	Bearing Ball
3	D42513700	1	Circlip
4	D28250444	1	Bolt
5	D28880354	1	Spacer
6	D28880267	1	Bracket
7	D28251476	1	Retainer
8	D41087900	1	Locknut
9	D28250441	1	Roller
10	D41622700	2	Bearing Ball
11	D42513700	1	Circlip
12	D28880253	1	Arm
13	D28780030	1	Pivot
14	D20400426	2	Washer
15	D41405900	1	SPLIT PIN
16	D28380011	1	Tie Rod
17	D28210881	1	Comp.Spring
18	D20400458	1	Washer
19	D41011100	2	Nut
20	D28250444	1	Bolt
21	D28880354	1	Spacer
22	D41087900	1	Locknut
23	D28880263	1	Pulley
24	D42515000	2	Circlip
25	D41623000	2	Bearing Ball
26	D28880254	1	Spacer
27	D28880265	1	Fork
28	D28880249	1	Bracket
29	D40405000	2	Screw Metric
30	D20400409	2	Washer
31	D41013500	2	Nut
32	D28880261	1	Bolt
33	D28851036	1	Disc
34	D41088100	1	Locknut
35	D42502300	1	Circlip
36	D20400471	1	Washer
37	D41087600	1	Locknut
38	D28250441	1	Roller
39	D41622700	2	Bearing Ball
40	D42513700	1	Circlip
41	D28250444	1	Bolt
42	D28880354	1	Spacer
43	D28880253	1	Arm
44	D28780030	1	Pivot
45	D20400426	1	Washer
46	D41405900	1	SPLIT PIN
47	D28380011	1	Tie Rod
48	D28880197	1	Spring
49	D20400458	1	Washer
50	D41011100	2	Nut
51	D41087900	1	Locknut
52	D42502300	1	Circlip
53	D41405900	1	SPLIT PIN
54	D20400417	1	Washer
55	D28880260	1	Bracket
56	D41979600	1	Belt
57	D41978900	1	Belt



MASSEY FERGUSON**MF 38 COMBINE, ->| 47597 - 1810921A****1810921A****17-4****ADJUSTMENT F. STRAW CHOPPER**

Item	Part Number	Qty	Description
1	D28880091	4	Bracket
2	D41013500	6	Nut
3	D28880097	2	Bracket
4	D40407800	4	HEXAGON SCREW
5	D20400471	4	Washer
6	D41013600	4	Nut
7	D28880098	4	Bracket
8	D40407600	8	Screw
9	D20400471	8	Washer
10	D41013600	8	Nut
11	D28880101	1	Plate
12	D28880093	2	Lever
13	D28880095	2	Tube
14	D28880107	1	Arm
15	D28880102	1	Plate
16	D28880084	1	Arm
17	D45059500	2	Cylinder
18	D20400409	4	Washer
19	D41404400	4	SPLIT PIN
20	D28880094	2	Rod
21	D45905300	2	Fork Head
22	D41010800	2	Nut Metric
23	D45905400	2	Fork
24	D41014300	2	Nut
25	D45905500	4	Bolt
26	D41404400	4	SPLIT PIN
27	D20400471	4	Washer
28	D43384000	1	Grip
29	D28180743	1	Plate
30	D40066800	4	Screw Metric
31	D20400426	4	Washer
32	D41087700	2	Locknut
33	D28180744	1	Plate
34	D41087600	2	Locknut
36	D28880201	1	Hub
37	D43001500	1	Greaser
38	D28880199	2	Claw
39	D40608800	4	Screw Metric
40	D28880214	2	Lever
41	D40408000	1	HEXAGON SCREW
42	D41087600	1	Locknut
43	D28880208	1	Retainer
44	D25400086	1	Spring
45	D28880207	1	Pin
46	D20400426	1	Washer
47	D41087700	1	Locknut
48	D28880262	2	Block
49	D20400471	2	Washer
50	D41405900	2	SPLIT PIN
51	D20400471		Washer
52	D28880205	1	Arm
53	D46436200	1	Connector
54	D45697900	1	Ball Joint
55	D28880206	1	Rod
56	D41010800	4	Nut Metric
57	D46436200	2	Connector
58	D28880264	1	Pulley
59	D42515400	1	Circlip
60	D41623100	2	Bearing Ball
61	D42694900	3	Pin
62	D20400421	1	Washer
63	D40466500	1	Setscrew
64	D42599200	1	Washer
65	D41978900	1	Belt
66	D43106500	1	Key