

# Parts list

## SERVO 45 S INTEL

Chassis Number                    00|\_|\_|\_|\_|\_|

VBP|\_|\_|\_|\_|\_|\_|\_|\_|\_|\_|\_|\_|\_|\_|\_|

## **PÖTTINGER - Know-How cannot be duplicated**

Our ORIGINAL INSIDE replacement parts offer additional benefits that count: Less wear, high fracture resistance, perfect fitting, long-term availability and clean work performance.

### **Technical alterations**

There may be deviations between these Instructions and the product because we constantly develop our products. Therefore no claims may be derived from the data, illustrations and descriptions. Please ask for the compulsory information regarding certain features of your implement from your service specialist.

We would ask for your understanding for the fact that changes to the scope of supply in form, equipment and technology are possible at any time.

Reproduction, translation and multiplication in any form, also of fragments, without the written consent of PÖTTINGER Landtechnik GmbH are prohibited.

All copyrights are expressly reserved by PÖTTINGER Landtechnik GmbH.

© PÖTTINGER Landtechnik GmbH

## **Dear Customer**

Only use genuine replacement parts or the spare parts and accessories approved by PÖTTINGER Landtechnik GmbH. Only the genuine replacement parts we make available have been tested and approved by us, and therefore possess the most suitable requisites for use in your machine. The use of any unapproved parts forfeits any guarantee or guarantee claim. Even after the guarantee period has expired we recommend the use of genuine replacement parts in order to ensure the continuous performance of the machine.

Genuine replacement parts can only be obtained through a PÖTTINGER Service Centre. Taking into account the points listed below, please direct each order to your Service Specialist Centre. The client takes full responsibility for any incorrect deliveries resulting from incomplete, unclear or illegible information provided.

### **When placing your order, specify the:**

- Model, type, year of manufacture as well as chassis no. and/or veh. ID no. or serial no.  
You will find these details on the identification plate.
- Clearly define the parts being ordered by specifying the part no. and designation.
- Specify the required quantity of each part ordered.
- Provide a correct and full delivery address.

The PÖTTINGER service team wishes you every success.

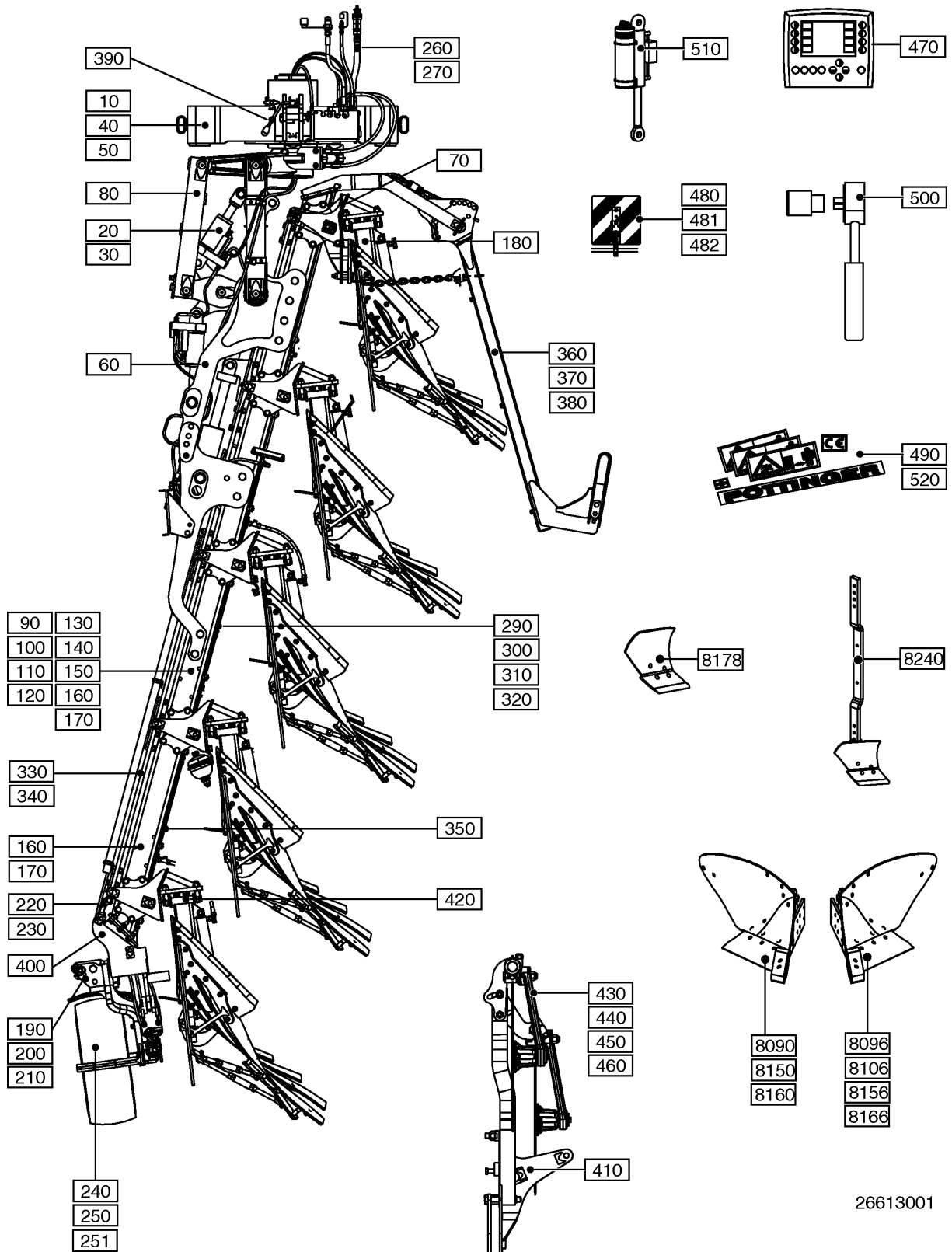
## You will find the following representations in this replacement parts list:

#	on request
&	only deliverable together
(	consisting of...
)	no spare part
*	see list no.
242	Loctite 242 (00 543 004)
245	Loctite 245 (00 543 005)
275	Loctite 275 (00 543 008)
495	Loctite IS 495 (00 543 103)
504	Loctite 504 (00 543 201)
542	Loctite 542 (00 543 010)
601	sealing compound DDL 601
648	Loctite 648 (00 543 014)
=	when required
@	measurement mm
AN	note
BT	plate
DA	outer diameter
DI	inner diameter
EK	pasted with ...
FU	see foot-note
K	only for cab control
L	left-hand
M:	not for...
MENGE	number of pieces
N	machine-side
NT	not for tandem axle
P:	only for...
PE	only for single axle
PNR	position number
PS	only for tractors
PT	only for tandem axle
Q	tractor-side
R	right-hand
R/S	state length and the order number of the guard cape
RA	only where cable passes round pulleys and offset drawbar is
RO	only where cable passes round pulleys
TEILE	part number
U	meterware
V	variant
W	at will

X        only for export  
Y        only for rear mounting  
Z        number of teeth

# Overview

## SERVO 45 SE (Type 9881)

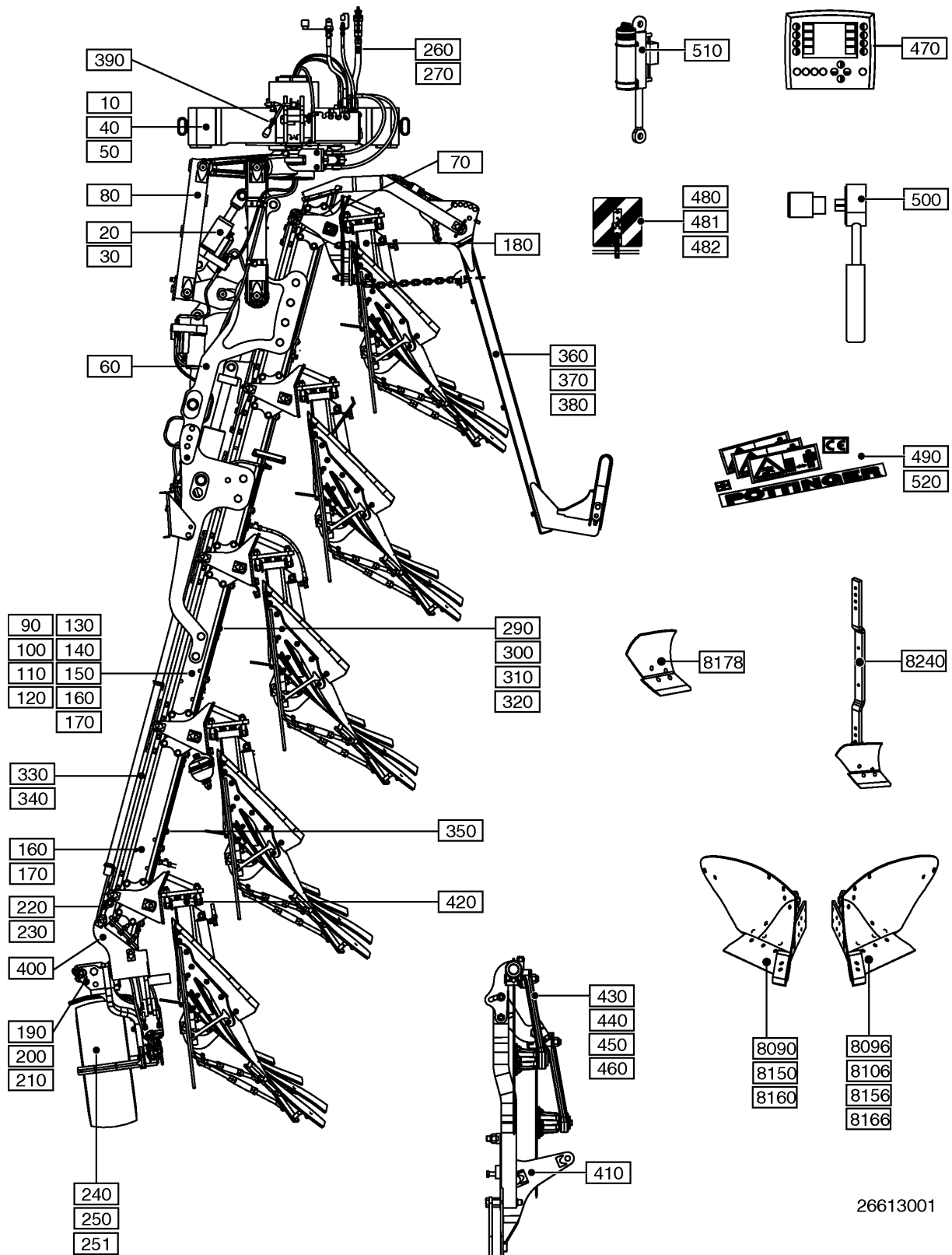


26613001

Table	Description	from No	to No
10	TURNOVER MECHANISM 45 S E	01001	
20	ELECTRONIC-CYLINDER BGI	01001	
30	ELECTRONIC-CYLINDER BG II	01001	
40	SHORT BOTTOM LINK	01001	
50	LOWER LINK PLATE	01001	
60	BEARING	01001	
70	ADJUSTING CENTRE PL.	01001	
80	LEVER	01001	
90	FRAME 4/95 PLUS	01001	
100	FRAME 4/102 PLUS	01001	
110	FRAME 5/95 PLUS	01001	
120	FRAME 5/102 PLUS	01001	
130	FRAME 4/95 NOVA PLUS	01001	
140	FRAME 5/95 NOVA PLUS	01001	
150	FRAME 4/102 NOVA PLUS	01001	
160	SUPPORT 95 NOVA PLUS	01001	
170	SUPPORT 102 NOVA PLUS	01001	
180	SWIVEL ELEMENT	01001	
190	TRAN.TURN OVER WHEEL	01001	
200	OVERFLOW PIPE SERVO 45,55 S E	01001	
210	BAR	01001	
220	TRAN.TURN OVER WHEEL BAR	01001	
230	TRAN.TURN OVER WHEEL SUPPORT 45	01001	
240	TYRES	01001	
250	WHEEL	01001	
251	WHEEL 260/70-15,3	01001	
260	OVERFLOW PIPE	01001	
270	NOVA-OVERFLOW PIPE	01001	
290	OVERFLOW PIPE	01001	
300	OVERFLOW PIPE 95 E	01001	
310	OVERFLOW PIPE	01001	
320	OVERFLOW PIPE 102 E	01001	
330	GUARD	01001	
340	GUARD	01001	
350	TRAN.TURN OVER WHEEL	01001	
360	SWIVEL ARM	01001	
370	BAR	01001	
380	BAR	01001	
390	TRANSPORT FIXING	01001	
400	BRACKET	01001	
410	PEEL	01001	
420	BUSHING	01001	
430	DISC COULTER CONSOLE	01001	
440	DISC COULTER CONSOLE	01001	
450	DISC COULTER CONSOLE	01001	
460	BRACKET	01001	
470	SOFT TOUCH KEYBOARD	01001	
481	LIGHTING SET TPR ZUS	01001	
482	LIGHTING SET FRANCE ZUS	01001	
490	NORMAL HITCH EQUIPM.	01001	

# Overview

## SERVO 45 SE (Type 9881)

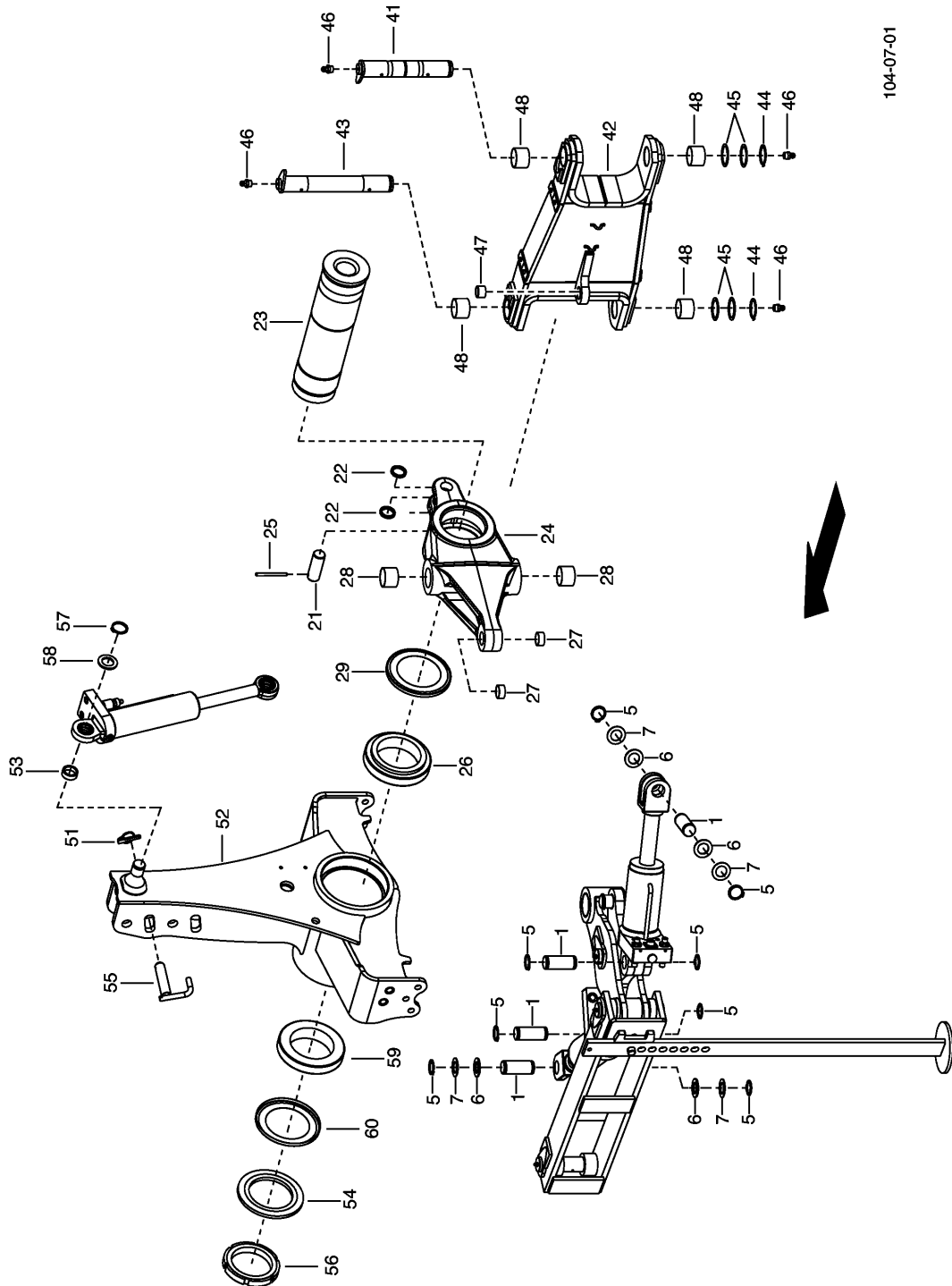


26613001



Table	Description	from No	to No
500	ACCESSORY	01001	
510	TOOL MOUNTING PLATE	01001	
520	EQUIPMENT, NORMAL	01001	
8090	BODY 27 W RIGHT	01001	
8096	BODY 27 W LEFT	01001	
8106	BODY 27 W LEFT	01001	
8150	BODY 46 W RIGHT	01001	
8156	BODY 46 W LEFT	01001	
8160	BODY 46 W RIGHT	01001	
8166	BODY 46W LEFT	01001	
8178	BODY V1, V2, V3	01001	
8240	DV-BODY	01001	
9000	PAINT, GLUE, OPERATING RESOURCE	00001	

Table 10 - TURNOVER MECHANISM 45 S E

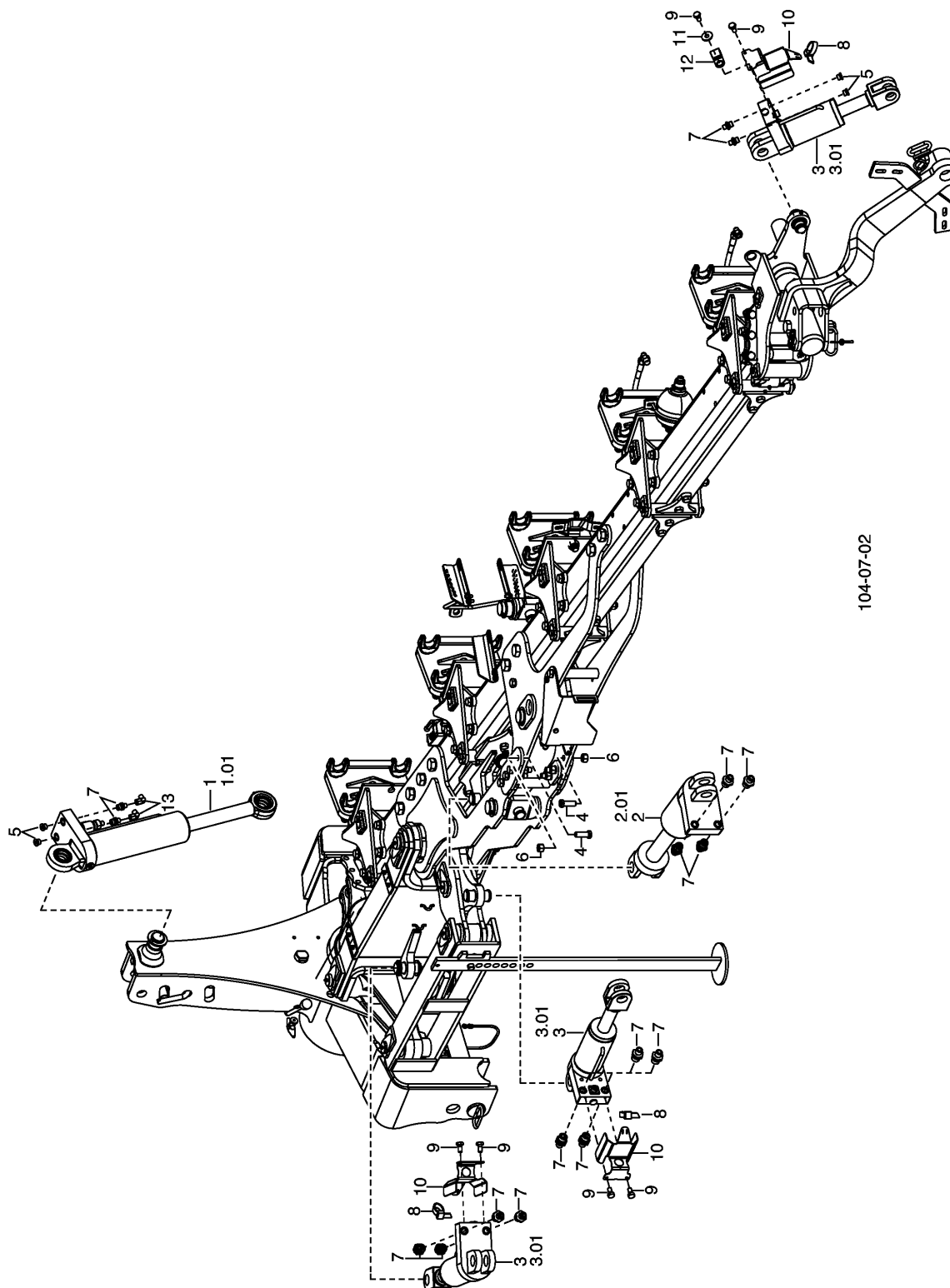


104-07-01

## TURNOVER MECHANISM 45 S E - Table 10

Pos	Part number	Qty	Description	Note	from No	to No
0.1	00+9881.60.100.0	1	Drehwerk 45 S E zus			
0.2	00+ 959.60.045.1	1	Schwinge S zus	(41-46		
0.3	00+ 983.60.430.0	1	Reversing axle 45	(21-29		
0.4	00+9881.60.010.0	1	Anbaubock S E zus	(51-60		
1	00+ 983.61.003.0	4	Pin			
5	00+ 157.825	8	Circlip 35x2,5 DIN 471 GEOMET			
6	00+ 163.109	4	Disc 30,2/50x1,50 ISO 4759-3 ZN			
7	00+ 163.108	4	Disc 30,2/50x3,00 ISO 4759-3 ZN			
21	00+ 959.60.031.0	1	Bolt			
22	00+ 959.60.032.0	2	Ring			
23	00+ 959.60.435.0	1	Turning axle			
24	00+ 983.60.440.0	1	Reversible body 45S			
25	00+ 173.180	1	Roll pin 8x90 DIN 1481 ST GEOMET			
26	00+ 404.738.001	1	Taper roller bearing 32030 DIN 720			
27	00+ 410.366	2	Sliding bush 40x44x20 SPRING STEEL			
28	00+ 410.373	2	Sliding bush 60x65x45 SPRING STEEL			
29	00+ 418.282	1	Nylos ring 32030 XAV			
41	00+ 955.60.055.2	1	Pin			
42	00+ 959.60.050.1	1	Rocker S	(47,48		
43	00+ 959.60.080.0	1	Pin front 60x443 mm			
44	00+ 157.835	2	Circlip 60x3 DIN 471 Phos.			
45	00+ 166.834	4	Disc 60,2/75x2,00 ISO 4759-3 GEOMET			
46	00+ 190.002	4	Lubrication nipple A M 8x1 DIN71412			
47	00+ 410.377	2	Sliding bush 35x40x25 SPRING STEEL			
48	00+ 410.373	4	Sliding bush 60x65x45 SPRING STEEL			
51	00+ 872.05.009.0	1	Linch pin			
52	00+9981.60.005.0	1	SUPPORT TOP LINK			
53	00+ 959.60.024.0	1	Ring			
54	00+ 959.60.046.0	1	Disc			
55	00+ 959.60.065.1	1	Upper link connector			
56	00+ 124.429	1	Nut M145x2,0 DIN 981 11H ZN			
57	00+ 157.827	1	Circlip 40x2,5 DIN 471 GEOMET			
58	00+ 163.139	1	Disc 40,2/65x5,00 ISO 4759-3 ZN			
59	00+ 404.738.001	1	Taper roller bearing 32030 DIN 720			
60	00+ 418.282	1	Nylos ring 32030 XAV			

Table 20 - ELECTRONIC-CYLINDER BGI

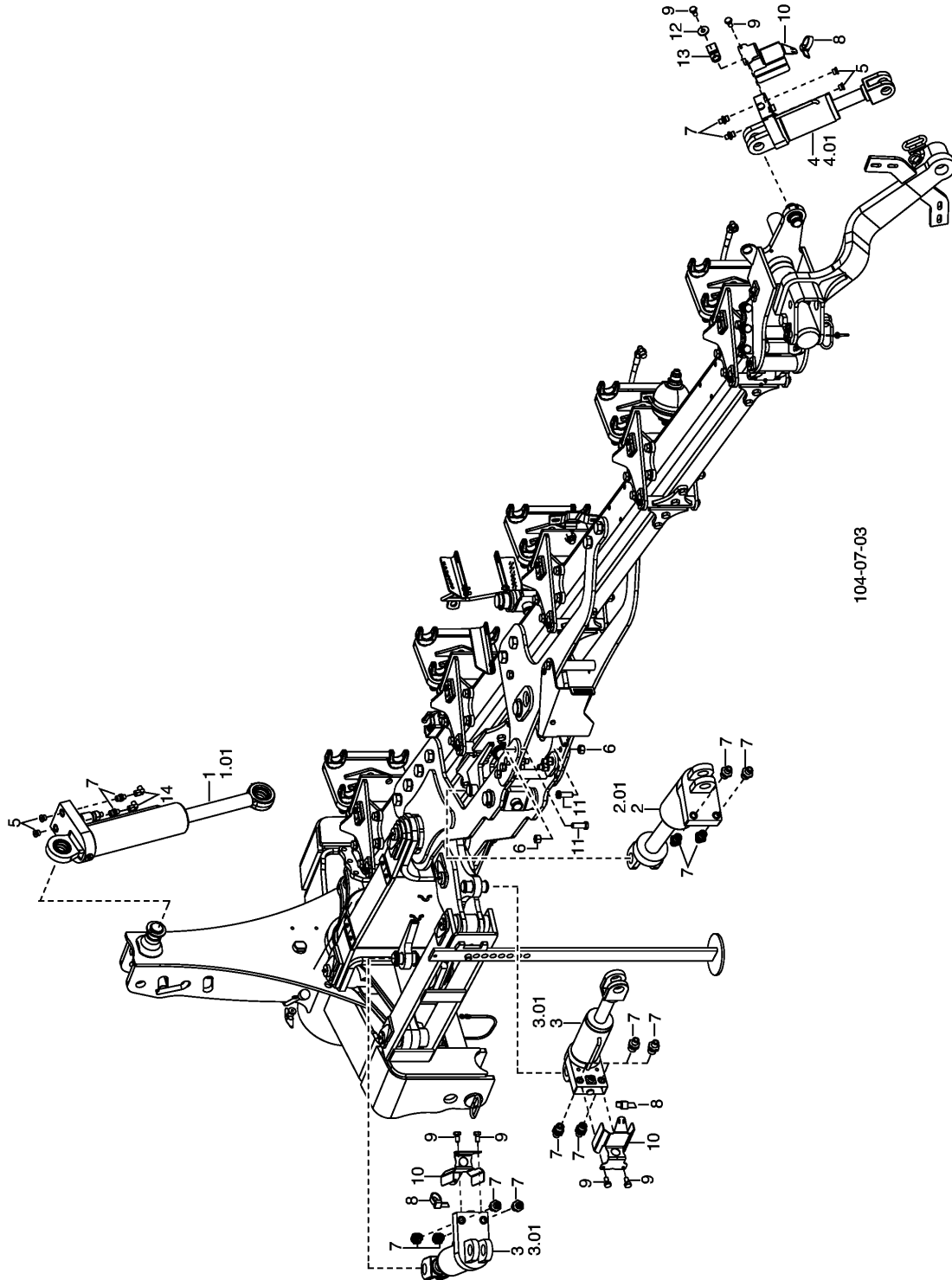


104-07-02

## ELECTRONIC-CYLINDER BGI - Table 20

Pos	Part number	Qty	Description	Note	from No	to No
0.1	00+9881.50.100.0	1	Elektronik - Zylinder BG I	V		
1	00+ 442.642	1	Hydraulic ram tension/comp. 90-45-290			
1.1	00+ 442.642.001	1	SET OF GASKETS			
2	00+ 442.641	1	Hydraulic ram tension/comp. 100-50-63			
2.1	00+ 442.641.001	1	SET OF GASKETS			
3	00+ 442.640	3	Hydraulic ram tension/comp. 80-40-120			
3.1	00+ 442.640.001	3	SET OF GASKETS			
4	00+ 104.329	2	Bolt M16x45 DIN 7984 8.8 ZN			
5	00+ 107.018	4	Bolt			
6	00+ 120.163	2	Nut M16 DIN 934 8 ZN			
7	00+ 448.1.049	16	Straight screw-in connector 8L-R 3/8"			
8	00+ 475.172	3	Cable clip 7,6x368; schwarz; PLT4H-TL0			
9	00+ 103.021	6	Bolt M 6x12 DIN 933 8.8 ZN			
10	00+ 988.84.150.0	3	Zyl.-Schutzblech E+			
11	00+ 162.405	1	Disc 6,5/18x1,50 ISO 4759-3 ZN			
12	00+ 448.554	1	Clamp 12,7 NR. 900729-1			
13	00+ 448.019	2	Angled connector, adjustable P-EWS 8L-S			

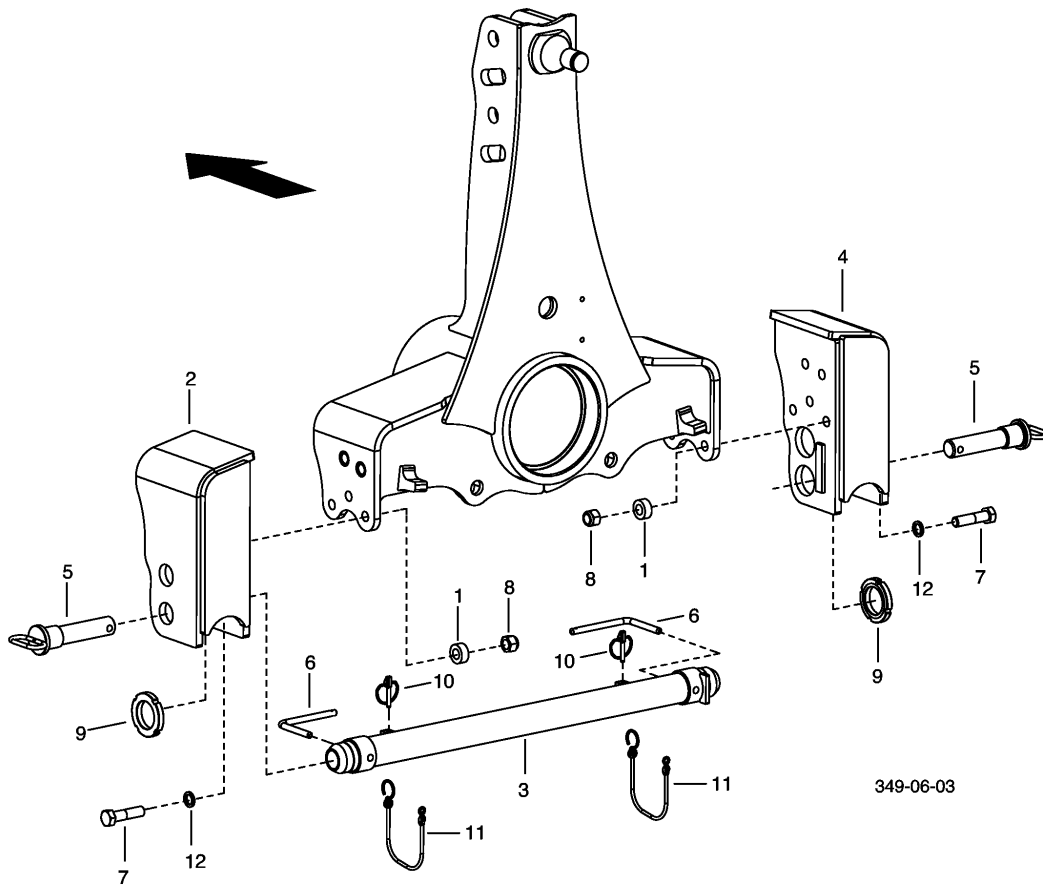
Table 30 - ELECTRONIC-CYLINDER BG II



## ELECTRONIC-CYLINDER BG II - Table 30

Pos	Part number	Qty	Description	Note	from No	to No
0.1	00+9881.50.200.0	1	Elektronik - Zylinder BG II	V		
1	00+ 442.642	1	Hydraulic ram tension/comp. 90-45-290			
1.1	00+ 442.642.001	1	SET OF GASKETS			
2	00+ 442.641	1	Hydraulic ram tension/comp. 100-50-63			
2.1	00+ 442.641.001	1	SET OF GASKETS			
3	00+ 442.640	2	Hydraulic ram tension/comp. 80-40-120			
3.1	00+ 442.640.001	2	SET OF GASKETS			
4	00+ 442.643	1	Hydraulic ram tension/comp. 80-40-120			
4.1	00+ 442.640.001	1	SET OF GASKETS			
5	00+ 107.018	4	Bolt			
6	00+ 120.163	2	Nut M16 DIN 934 8 ZN			
7	00+ 448.1.049	16	Straight screw-in connector 8L-R 3/8"			
8	00+ 475.172	3	Cable clip 7,6x368; schwarz; PLT4H-TL0			
9	00+ 103.021	6	Bolt M 6x12 DIN 933 8.8 ZN			
10	00+ 988.84.150.0	3	Zyl.-Schutzblech E+			
11	00+ 104.329	2	Bolt M16x45 DIN 7984 8.8 ZN			
12	00+ 162.405	1	Disc 6,5/18x1,50 ISO 4759-3 ZN			
13	00+ 448.554	1	Clamp 12,7 NR. 900729-1			
14	00+ 448.019	2	Angled connector, adjustable P-EWS 8L-S			

Table 40 - SHORT BOTTOM LINK

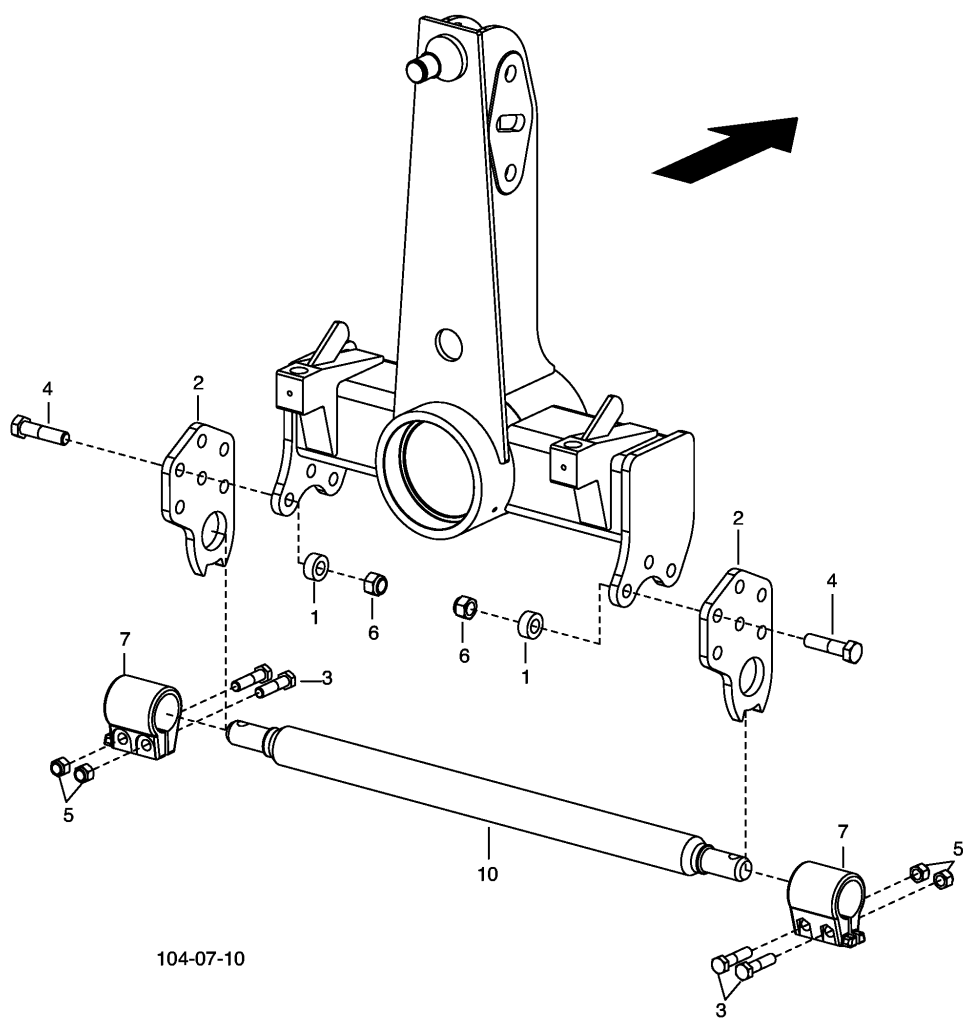




## SHORT BOTTOM LINK - Table 40

Pos	Part number	Qty	Description	Note	from No	to No
0.1	00+ 959.11.050.0	1	Doppellagerung für Anbauachse	(1-12		
1	00+ 918.06.703.0	6	Tube			
2	00+ 959.11.051.0	1	Hoop lhs.	L		
3	00+ 959.11.057.0	1	Zwischenrohr Sz.			
4	00+ 959.11.061.0	1	Hoop rhs.	R		
5	00+ 959.11.065.0	2	Pin			
6	00+ 959.11.067.0	2	Absteckbolzen			
7	00+ 103.928	10	Bolt M20x1,5x80 DIN 960 10.9 GEOMET			
8	00+ 122.220	6	Nut M20x1,5 DIN 980 10 GEOMET			
9	00+ 124.025	2	Nut M60x1,5 DIN 1804 5 ZN			
10	00+ 438.051	2	Linch pin 8x4			
11	00+ 438.026	2	Safety cord GTO F 80390			
12	00+ 165.416	4	Screw locking device M 20			

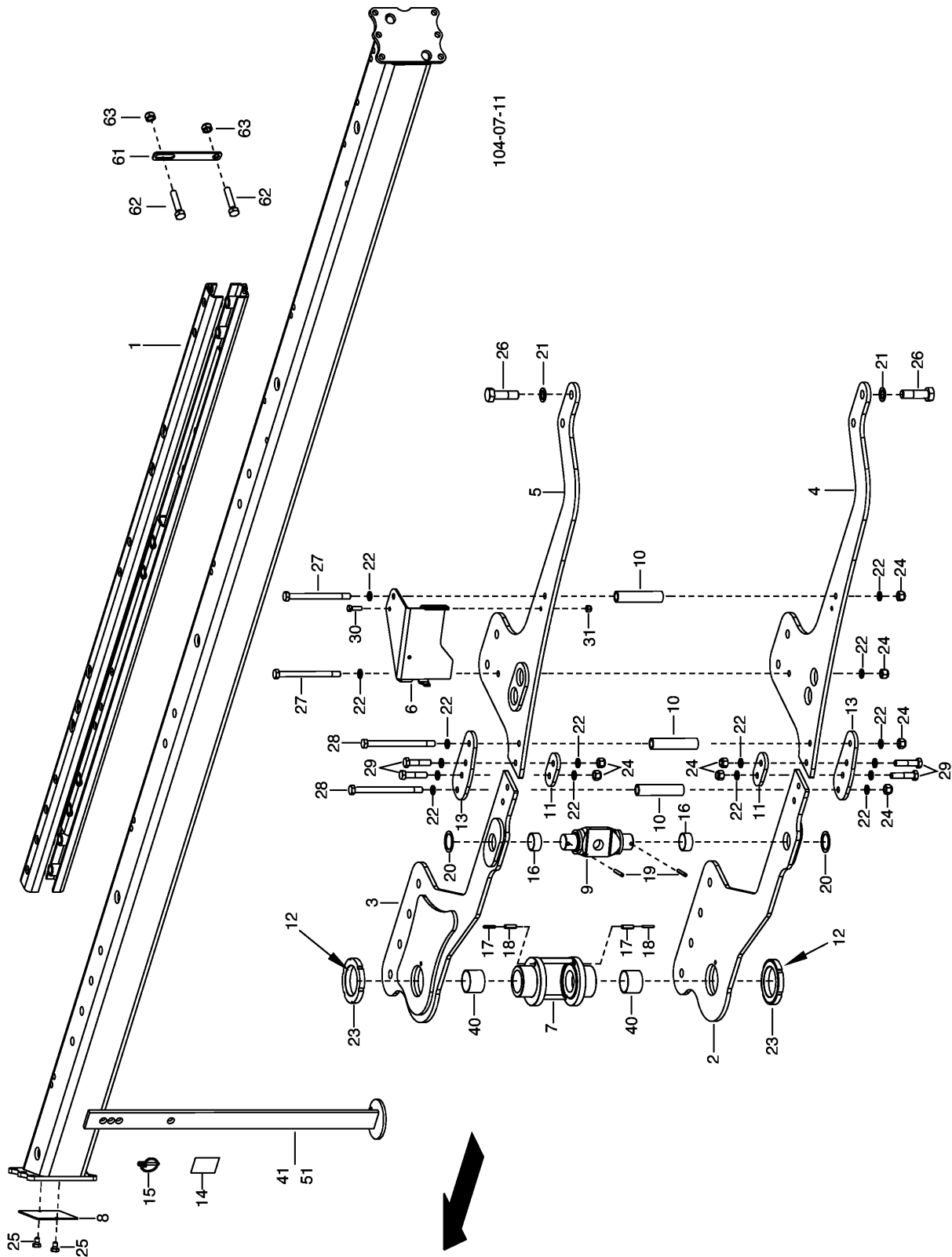
# Table 50 - LOWER LINK PLATE



**LOWER LINK PLATE - Table 50**

Pos	Part number	Qty	Description	Note	from No	to No
0.1	00+ 983.60.025.0	1	Disc			
0.2	00+ 959.11.030.0	1	Mounting axle Cat. III S	V (10		
1	00+ 918.06.703.0	6	Tube			
2	00+ 983.60.003.0	2	Disc			
3	00+ 103.367	4	Bolt M16x65 DIN 931 8.8 ZN			
4	00+ 103.928	6	Bolt M20x1,5x80 DIN 960 10.9 GEOMET			
5	00+ 122.110	4	Nut M16 DIN 980 8 ZN			
6	00+ 122.220	6	Nut M20x1,5 DIN 980 10 GEOMET			
7	00+ 612.127	2	Clamping ring GGG 40			
10	00+ 959.11.031.0	1	Mounting axle	V		

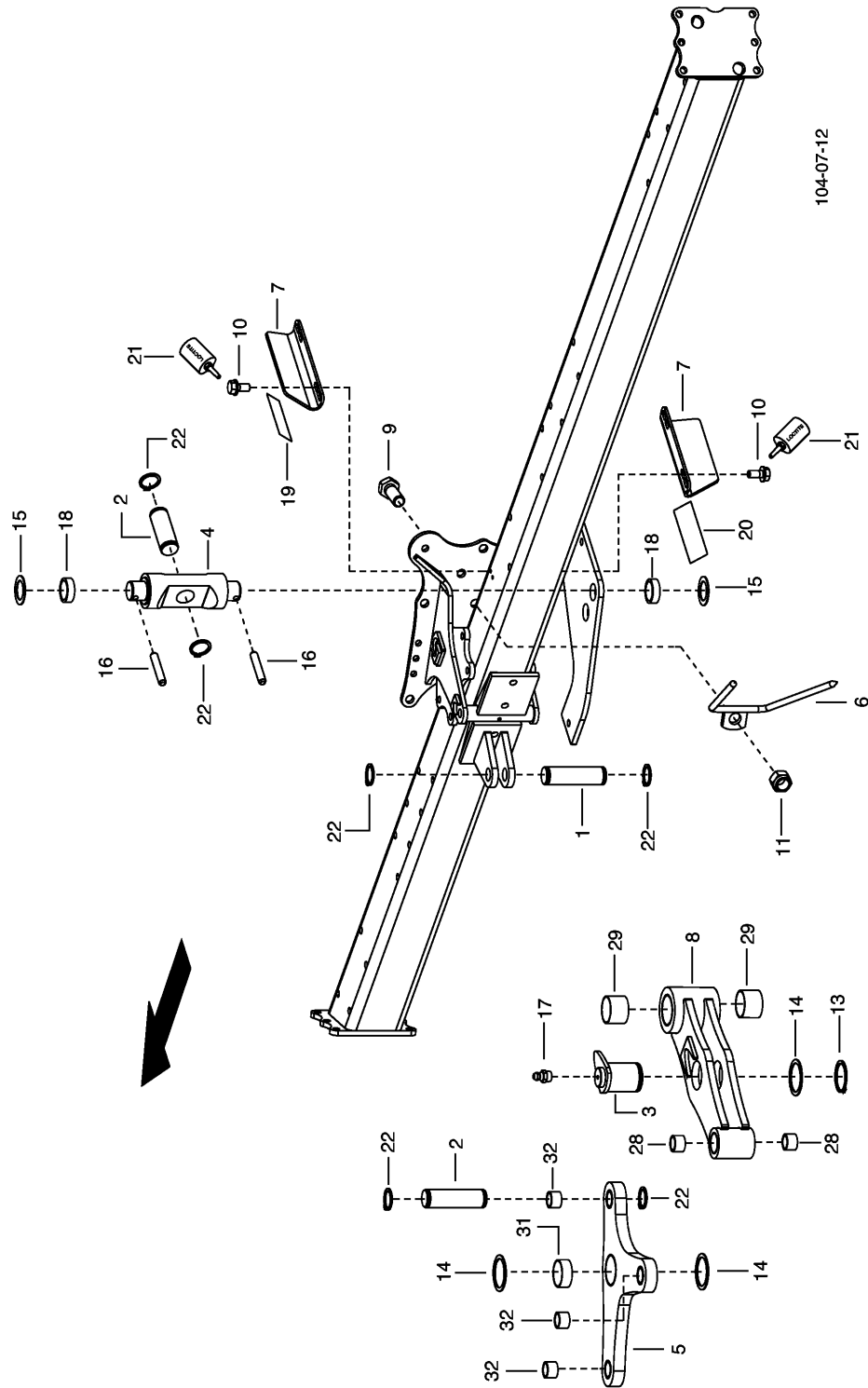
Table 60 - BEARING



**BEARING - Table 60**

Pos	Part number	Qty	Description	Note	from No	to No
0.1	00+ 983.60.600.3	1	Hauptrahmenlager S			
0.2	00+ 983.60.095.0	1	Gurt Montagehilfe Zus.	(61-63		
1	00+ 983.60.715.1	2	Belt 45 S			
2	00+ 983.60.630.0	1	Main frame bearing 45 S			
3	00+ 983.60.625.0	1	Main frame bearing 45 S			
4	00+ 983.60.638.0	1	Main frame bearing 45 S			
5	00+ 983.60.637.0	1	Main frame bearing 45 S			
6	00+ 955.61.078.0	1	Retainer			
7	00+ 955.60.062.0	1	Bearing block	(40		
8	00+ 983.60.091.0	1	Cover			
9	00+ 959.61.002.2	1	Cross link			
10	00+ 959.61.085.0	3	Pipe			
11	00+ 983.60.621.0	2	Plate			
12	00+ 543.014	1	Loctite Euro-Lock			
13	00+ 983.60.622.0	2	Disc			
14	00+ 495.694.0001	1	AZB "Standstütze abstecken"			
15	00+ 438.018	1	Linch pin 8x42 DIN11023			
16	00+ 410.382	2	Sliding bush 45x50x22 SPRING STEEL			
17	00+ 173.144	2	Roll pin 6x40 DIN 1481 ST GEOMET			
18	00+ 172.197	2	Roll pin 10x40 DIN 1481 ST			
19	00+ 172.977	2	Roll pin 8x60 DIN 1481 ST GEOMET			
20	00+ 166.829	2	Disc 45,2/60x2,00 ISO 4759-3			
21	00+ 165.418	16	Screw locking device M 24			
22	00+ 165.414	16	Screw locking device M 16			
23	00+ 124.034	2	Nut M90x2,0 DIN 1804 5 ZN			
24	00+ 122.218	8	Nut M16x1,5 DIN 980 10 GEOMET			
25	00+ 103.040	2	Bolt M 8x12 DIN 933 8.8 ZN			
26	00+ 101.833	16	Bolt M24x2x80 DIN 960 10.9 GEOMET			
27	00+ 101.825	2	Bolt M16x1,50x195 Thread 27mm			
28	00+ 101.838	2	Bolt M16x1,50x215 Thread 27mm			
29	00+ 101.080	4	Bolt M16x1,5x70 DIN 960 10.9 GEOMET			
30	00+ 103.066	1	Bolt M10x35 DIN 933 8.8 ZN			
31	00+ 122.107	1	Nut M10 DIN 980 8 ZN			
40	00+ 410.373	2	Sliding bush 60x65x45 SPRING STEEL			
41	00+ 955.61.090.0	1	Support V 90	V		
51	00+ 955.61.075.0	1	Support	V		
61	00+ 981.60.096.0	2	Bracket			
62	00+ 103.045	4	Bolt M 8x30 DIN 933 8.8 ZN			
63	00+ 122.106	4	Nut M 8 DIN 980 8 ZN			

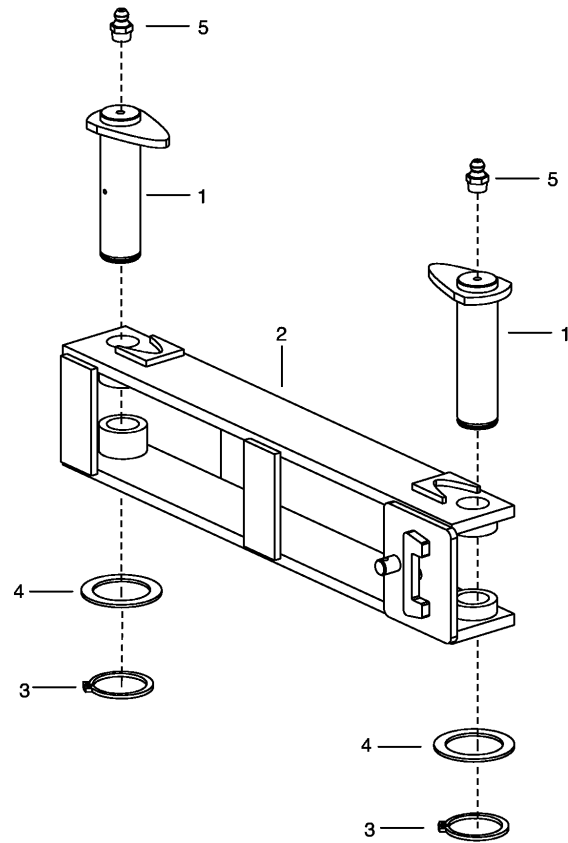
Table 70 - ADJUSTING CENTRE PL.



## ADJUSTING CENTRE PL. - Table 70

Pos	Part number	Qty	Description	Note	from No	to No
0.1	00+ 983.61.100.3	1	Einstellzentrum 45S Plus			
1	00+ 955.61.004.2	1	Bolt			
2	00+ 983.61.003.0	2	Pin			
3	00+ 955.62.035.0	1	Umlenkachse l=105 mm SZ			
3.1	00+9831.61.035.0	1	Umlenkachse SZ			
4	00+ 959.61.002.2	1	Cross link			
5	00+ 983.61.009.0	1	Umlenkhebel SZ ZUS	(31,32		
6	00+ 983.61.055.0	1	Pointer			
7	00+ 983.61.061.0	2	Scale			
8	00+ 983.61.630.3	1	Koppel S SZ/ZUS	(28,29		
8.1	00+9831.61.030.0	1	Couple	(28,29		
9	00+ 103.169	1	Bolt M20x50 DIN 933 8.8 ZN			
10	00+ 118.009	4	Bolt M 8x16 DIN 7500 GEOMET			
11	00+ 122.112	1	Nut M20 DIN 980 8 ZN			
13	00+ 157.835	1	Circlip 60x3 DIN 471 Phos.			
14	00+ 166.834	3	Disc 60,2/75x2,00 ISO 4759-3 GEOMET			
15	00+ 166.829	2	Disc 45,2/60x2,00 ISO 4759-3			
16	00+ 172.977	2	Roll pin 8x60 DIN 1481 ST GEOMET			
17	00+ 190.002	1	Lubrication nipple A M 8x1 DIN71412			
18	00+ 410.382	2	Sliding bush 45x50x22 SPRING STEEL			
19	00+ 495.684	1	Sticker" Schnittbreite Re."			
20	00+ 495.685	1	Sticker "Schnittbreite" Li.			
21	00+ 543.014	1	Loctite Euro-Lock	0,05		
22	00+ 157.825	6	Circlip 35x2,5 DIN 471 GEOMET			
28	00+ 410.366	2	Sliding bush 40x44x20 SPRING STEEL			
29	00+ 410.373	2	Sliding bush 60x65x45 SPRING STEEL			
31	00+ 410.373	1	Sliding bush 60x65x45 SPRING STEEL			
32	00+ 410.377	3	Sliding bush 35x40x25 SPRING STEEL			

# Table 80 - LEVER



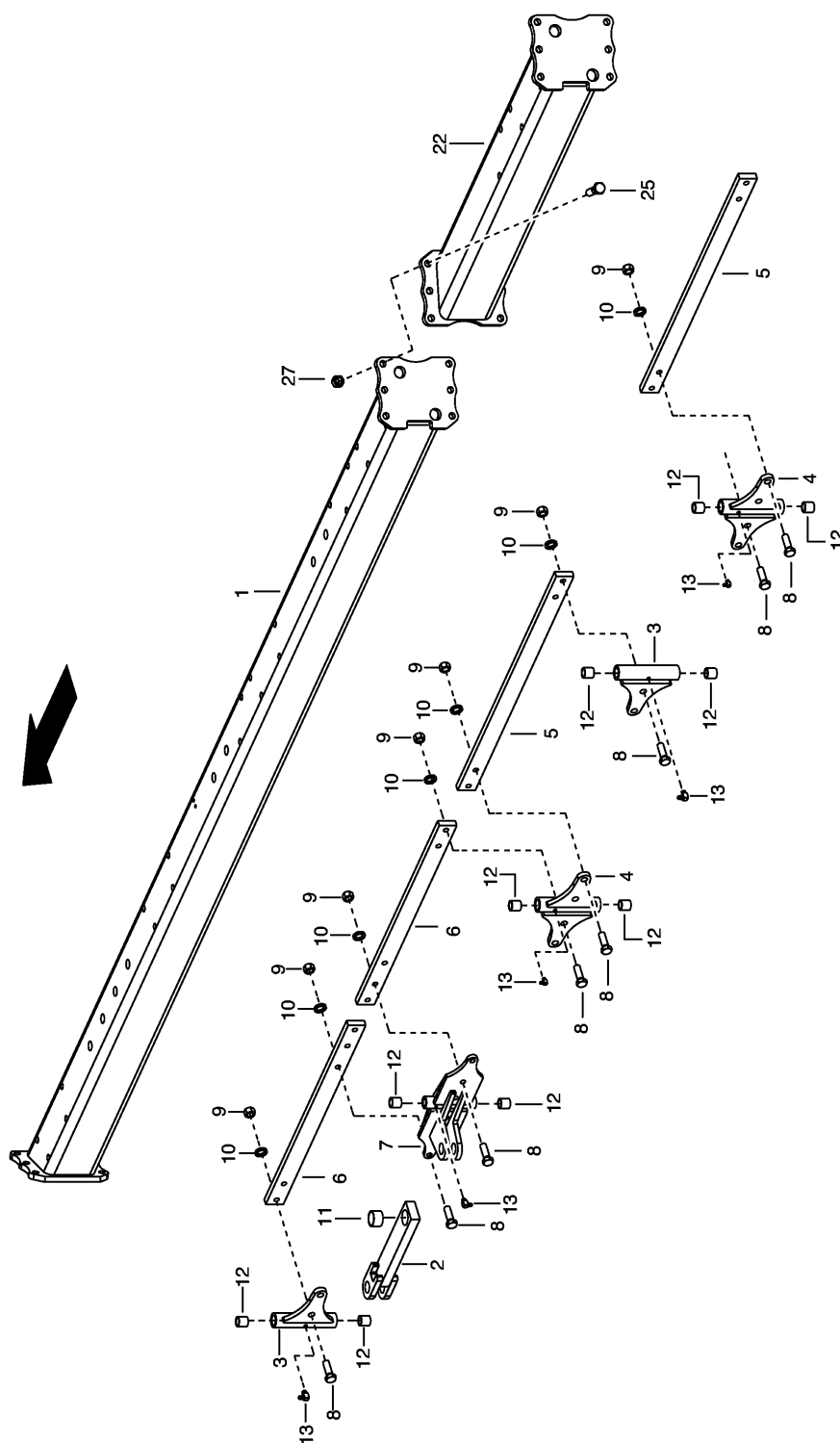
104-07-13



**LEVER - Table 80**

Pos	Part number	Qty	Description	Note	from No	to No
0.1	00+ 959.62.115.1	1	Viergelenkhebel S			
1	00+ 959.62.040.0	2	Four-bar bolt			
2	00+ 959.62.100.1	1	Four bar lever			
3	00+ 157.827	2	Circlip 40x2,5 DIN 471 GEOMET			
4	00+ 162.635	2	Disc 40,2/57x2,00 ISO 4759-3 ZN			
5	00+ 190.002	2	Lubrication nipple A M 8x1 DIN71412			

Table 90 - FRAME 4/95 PLUS

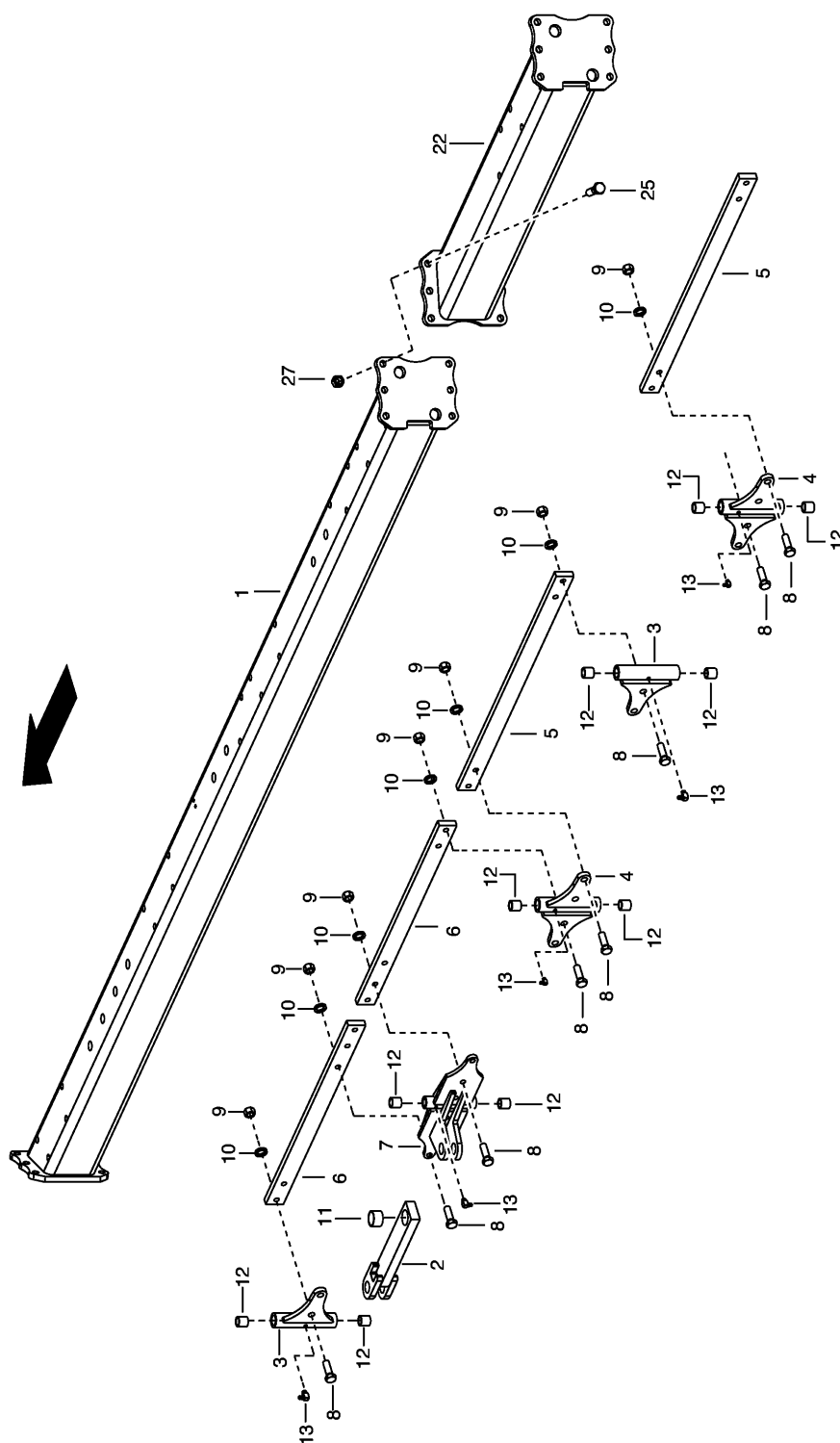


104-07-14

## FRAME 4/95 PLUS - Table 90

Pos	Part number	Qty	Description	Note	from No	to No
0.1	00+9831.30.101.0	1	Rahmen 4/95 Plus	V (1-10		
0.2	00+ 983.36.101.0	1	Mounting component 45 PLUS 95 cm	V FU		
1	00+ 983.30.110.4	1	Frame 4/95 Plus			
2	00+ 983.30.125.0	1	Anlenkhebel 95 S Sz. Zus.	(11		
3	00+ 983.36.025.0	2	Bracket	(12,13		
4	00+ 983.36.035.1	1	Bracket	(12,13		
5	00+ 983.36.119.1	2	Adjusting rod 95			
6	00+9831.36.119.0	2	Verstellstange 95			
7	00+ 983.61.215.0	1	Anlenklasche SZ bearbeitet	(12,13		
8	00+ 101.523	18	Bolt M16x1,5x50 DIN 961 8.8 ZN			
9	00+ 120.255	18	Nut M16x1,5 DIN 934 8 ZN			
10	00+ 165.414	18	Screw locking device M 16			
11	00+ 410.377	1	Sliding bush 35x40x25 SPRING STEEL			
12	00+ 410.365	10	Sliding bush 20x26x25 SPRING STEEL			
13	00+ 191.012	5	Lubrication nipple C M 8X1 DIN71412 SFG			
22	00+ 983.36.115.1	1	Mounting component 95 PLUS			
25	00+ 103.366	6	Bolt M16x60 DIN 931 8.8 ZN			
27	00+ 122.110	6	Nut M16 DIN 980 8 ZN			

Table 100 - FRAME 4/102 PLUS

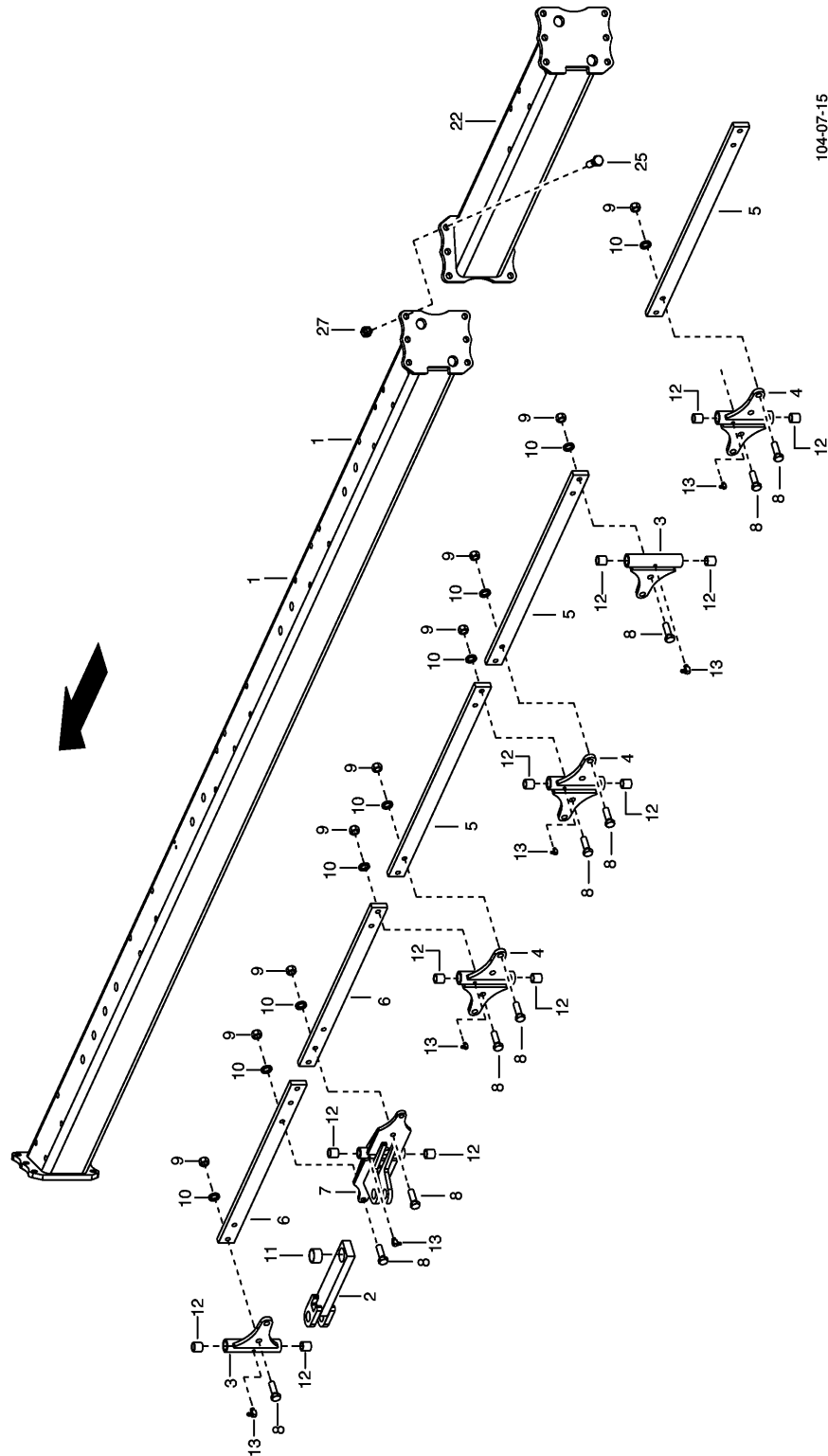


104-07-14

## FRAME 4/102 PLUS - Table 100

Pos	Part number	Qty	Description	Note	from No	to No
0.1	00+9831.30.001.0	1	Rahmen 4/102 Plus	V (1-10		
0.2	00+ 983.36.001.0	1	Mounting component 45 Plus 102 cm	V FU		
1	00+ 983.30.010.4	1	Frame 4/102 PLUS			
2	00+ 983.30.025.0	1	Anlenkhebel 02 S SZ/ZUS	(11		
3	00+ 983.36.025.0	2	Bracket	(12,13		
4	00+ 983.36.035.1	2	Bracket	(12,13		
5	00+ 983.36.019.1	2	Adjusting rod 102			
6	00+9831.36.019.0	2	Verstellstange 102			
7	00+ 983.61.215.0	1	Anlenklasche SZ bearbeitet	(12,13		
8	00+ 101.523	18	Bolt M16x1,5x50 DIN 961 8.8 ZN			
9	00+ 120.255	18	Nut M16x1,5 DIN 934 8 ZN			
10	00+ 165.414	18	Screw locking device M 16			
11	00+ 410.377	1	Sliding bush 35x40x25 SPRING STEEL			
12	00+ 410.365	10	Sliding bush 20x26x25 SPRING STEEL			
13	00+ 191.012	5	Lubrication nipple C M 8X1 DIN71412 SFG			
22	00+ 983.36.015.1	1	Mounting component 102 PLUS			
25	00+ 103.366	6	Bolt M16x60 DIN 931 8.8 ZN			
27	00+ 122.110	6	Nut M16 DIN 980 8 ZN			

Table 110 - FRAME 5/95 PLUS

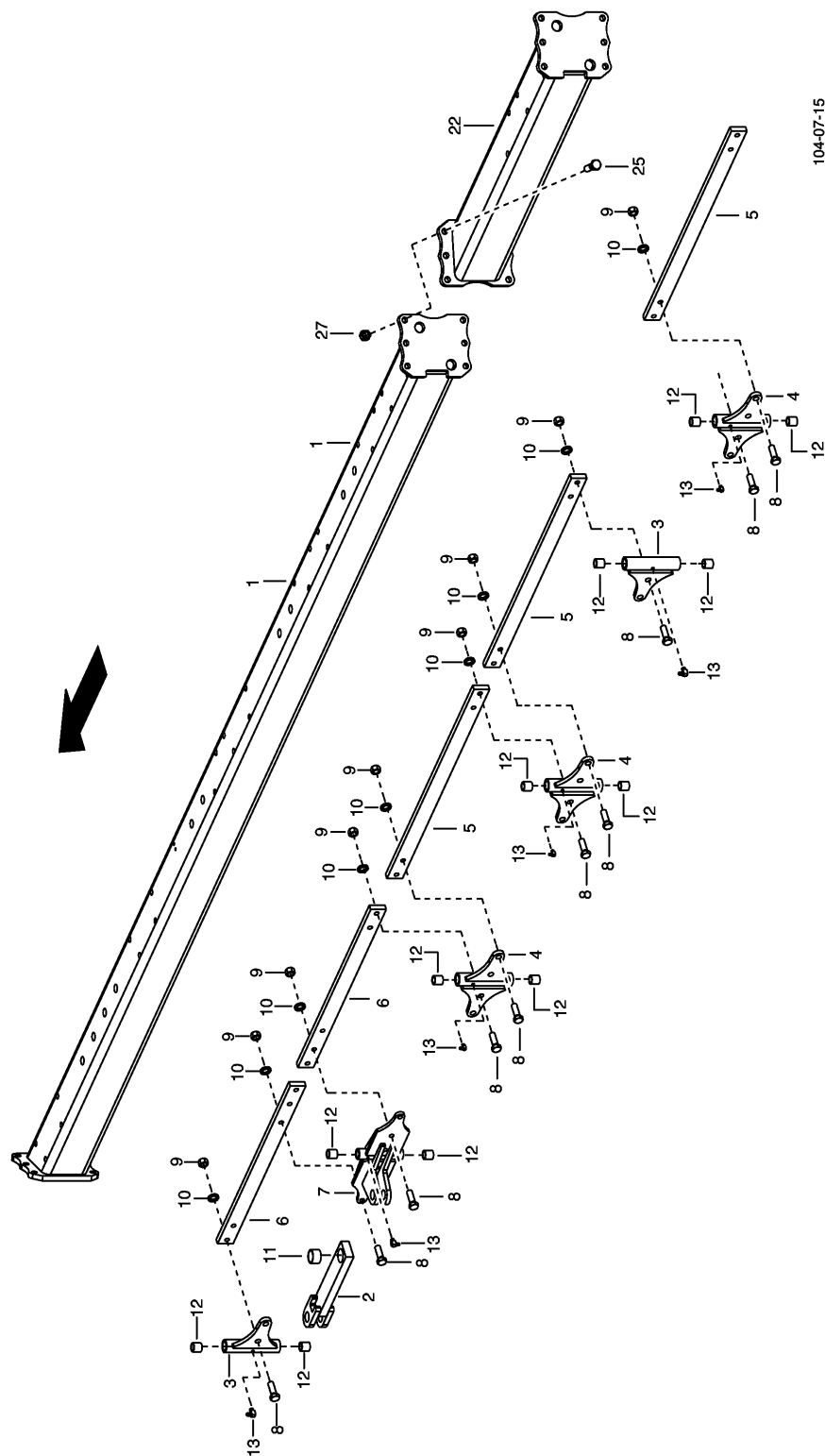


104-07-15

## FRAME 5/95 PLUS - Table 110

Pos	Part number	Qty	Description	Note	from No	to No
0.1	00+9831.30.030.0	1	Rahmen 5/95 Plus	V (1-10)		
1	00+ 983.30.040.2	1	Frame 5/95 Plus			
2	00+ 983.30.125.0	1	Anlenkhebel 95 S Sz. Zus.	(11		
3	00+ 983.36.025.0	2	Bracket	(12,13		
4	00+ 983.36.035.1	2	Bracket	(12,13		
5	00+ 983.36.119.1	2	Adjusting rod 95			
6	00+9831.36.119.0	2	Verstellstange 95			
7	00+ 983.61.215.0	1	Anlenklasche SZ bearbeitet	(12,13		
8	00+ 101.523	18	Bolt M16x1,5x50 DIN 961 8.8 ZN			
9	00+ 120.255	18	Nut M16x1,5 DIN 934 8 ZN			
10	00+ 165.414	18	Screw locking device M 16			
11	00+ 410.377	1	Sliding bush 35x40x25 SPRING STEEL			
12	00+ 410.365	10	Sliding bush 20x26x25 SPRING STEEL			
13	00+ 191.012	5	Lubrication nipple C M 8X1 DIN71412 SFG			

Table 120 - FRAME 5/102 PLUS



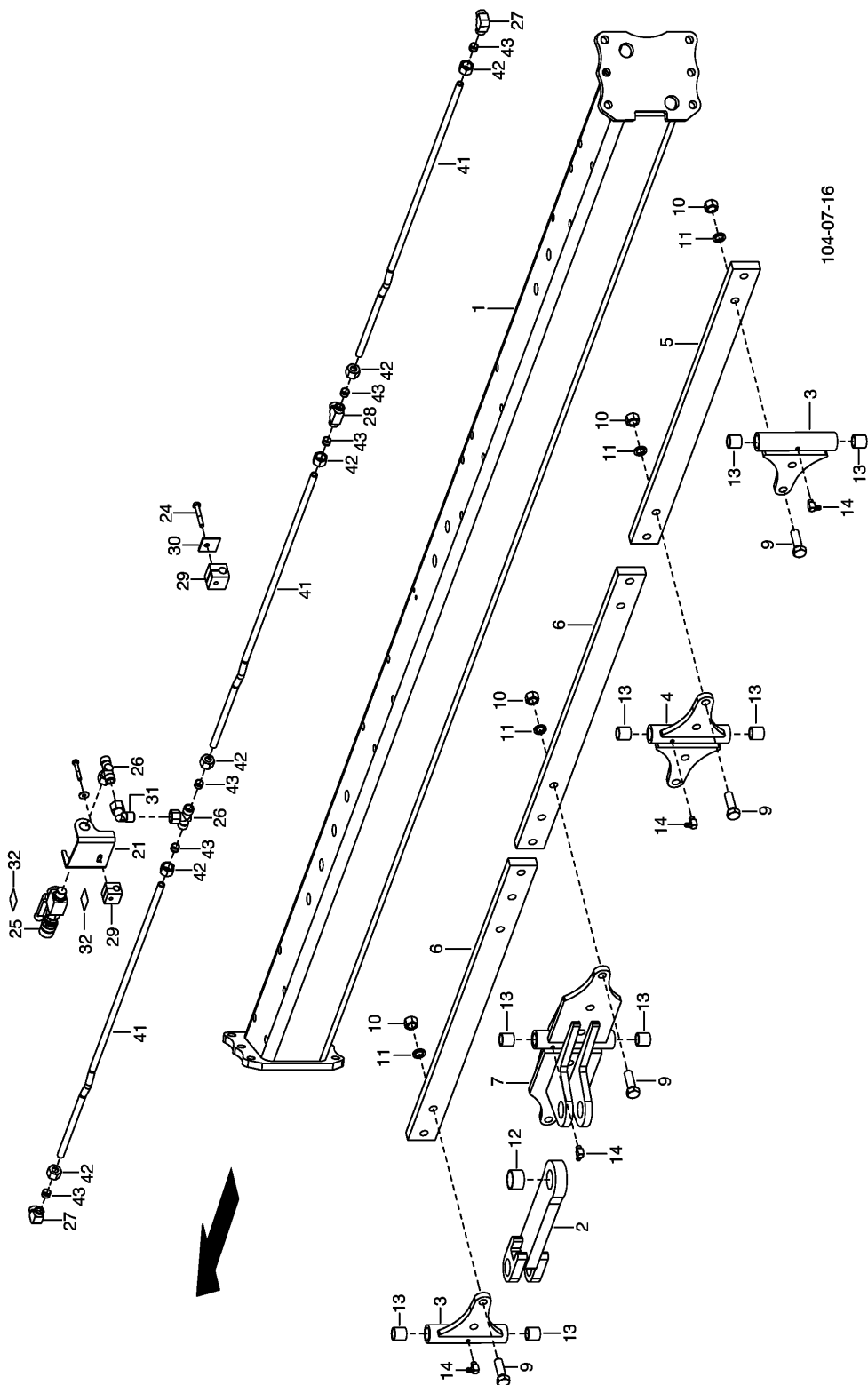
104-07-15



## FRAME 5/102 PLUS - Table 120

Pos	Part number	Qty	Description	Note	from No	to No
0.1	00+9831.30.050.0	1	Rahmen 5/102 Plus	V (1-10		
1	00+ 983.30.060.2	1	Frame 5/102 Plus			
2	00+ 983.30.025.0	1	Anlenkhebel 02 S SZ/ZUS	(11		
3	00+ 983.36.025.0	2	Bracket	(12,13		
4	00+ 983.36.035.1	2	Bracket	(12,13		
5	00+ 983.36.019.1	2	Adjusting rod 102			
6	00+9831.36.019.0	2	Verstellstange 102			
7	00+ 983.61.215.0	1	Anlenklasche SZ bearbeitet	(12,13		
8	00+ 101.523	18	Bolt M16x1,5x50 DIN 961 8.8 ZN			
9	00+ 120.255	18	Nut M16x1,5 DIN 934 8 ZN			
10	00+ 165.414	18	Screw locking device M 16			
11	00+ 410.377	1	Sliding bush 35x40x25 SPRING STEEL			
12	00+ 410.365	10	Sliding bush 20x26x25 SPRING STEEL			
13	00+ 191.012	5	Lubrication nipple C M 8X1 DIN71412 SFG			

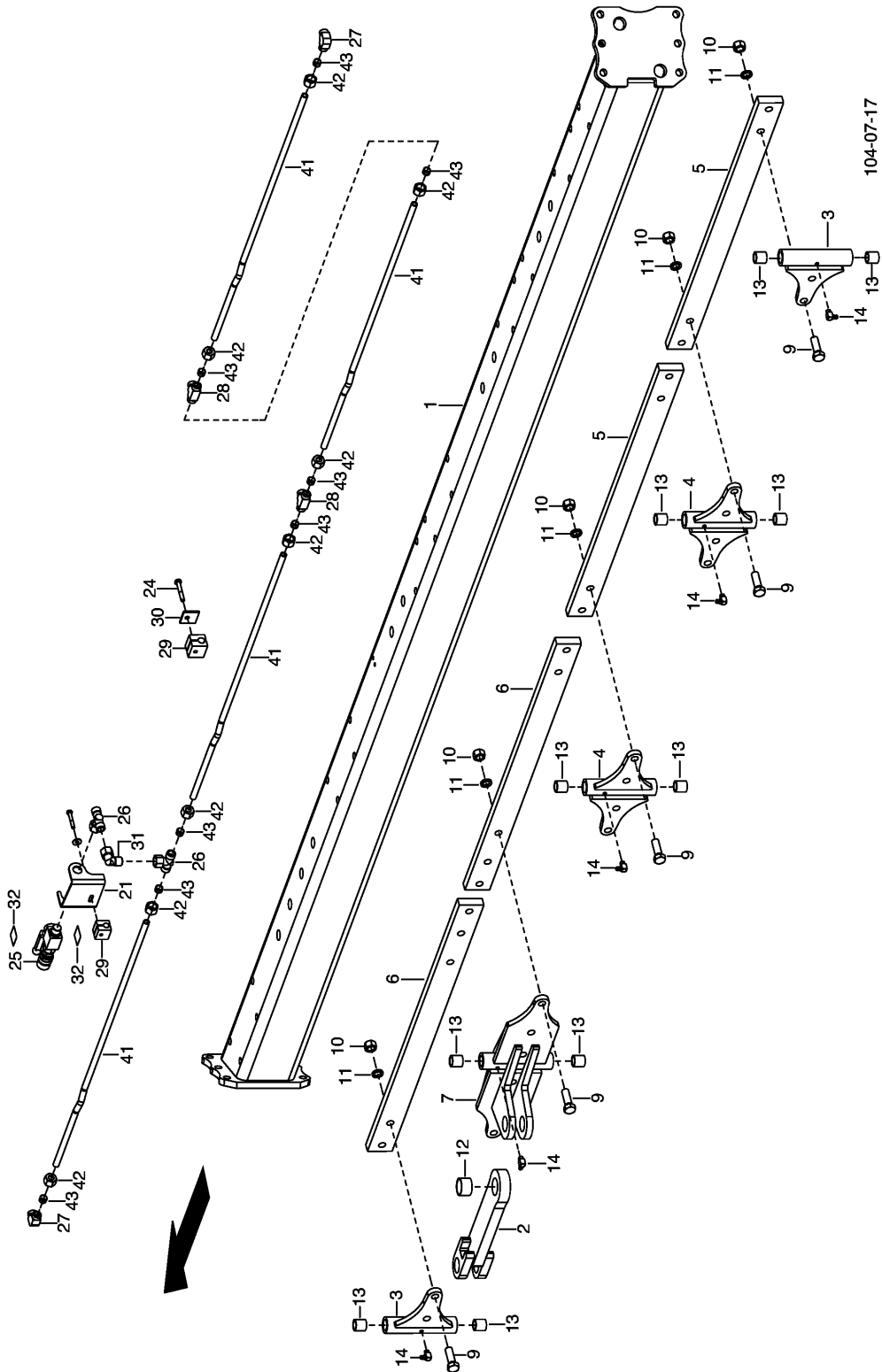
Table 130 - FRAME 4/95 NOVA PLUS



## FRAME 4/95 NOVA PLUS - Table 130

Pos	Part number	Qty	Description	Note	from No	to No
0.1	00+9841.30.101.0	1	Rahmen 4/95 Nova Plus	V (1-11		
0.2	00+ 984.36.140.0	1	Hydraulic line	(21-32		
0.3	00+ 984.36.145.0	3	Hydraulic line 12X2 L= 916	(41-43		
1	00+ 983.30.110.4	1	Frame 4/95 Plus			
2	00+ 983.30.125.0	1	Anlenkhebel 95 S Sz. Zus.			
3	00+ 983.36.025.0	2	Bracket	(13,14		
4	00+ 983.36.035.1	1	Bracket	(13,14		
5	00+ 983.36.119.1	1	Adjusting rod 95			
6	00+9831.36.119.0	2	Verstellstange 95			
7	00+ 983.61.215.0	1	Anlenklasche SZ bearbeitet	(13,14		
9	00+ 101.523	14	Bolt M16x1,5x50 DIN 961 8.8 ZN			
10	00+ 120.255	14	Nut M16x1,5 DIN 934 8 ZN			
11	00+ 165.414	14	Screw locking device M 16			
12	00+ 410.377	1	Sliding bush 35x40x25 SPRING STEEL			
13	00+ 410.365	8	Sliding bush 20x26x25 SPRING STEEL			
14	00+ 191.012	4	Lubrication nipple C M 8X1 DIN71412 SFG			
21	00+ 982.36.042.0	1	Reinforcement			
23	00+ 162.405	1	Disc 6,5/18x1,50 ISO 4759-3 ZN			
24	00+ 103.269	6	Bolt M 6x40 DIN 931 8.8 ZN			
25	00+ 445.1.003	1	Stop-cock BKH 12L-IG M18X1.5 08-1113-1			
26	00+ 448.022	2	T connection, adjustable P-ETS 12L-SV			
27	00+ 448.1.102	2	Angled connector WS 12L			
28	00+ 448.441	1	T connection TS 12L			
29	00+ 448.906	12	Clamping jaw TYPE: HRL 0 KP 12 PP POL			
30	00+ 448.907	5	Cover plate			
31	00+ 448.020	1	Angled connector, adjustable P-EWS 12L-			
32	00+ 495.786	2	Decal "Hebelstellung"			
41	00+ 984.36.146.0	3	Hydraulic line 95			
42	00+ 448.003	6	Union nut M 12L			
43	00+ 448.004	6	Cutting ring P-R 12L/S			

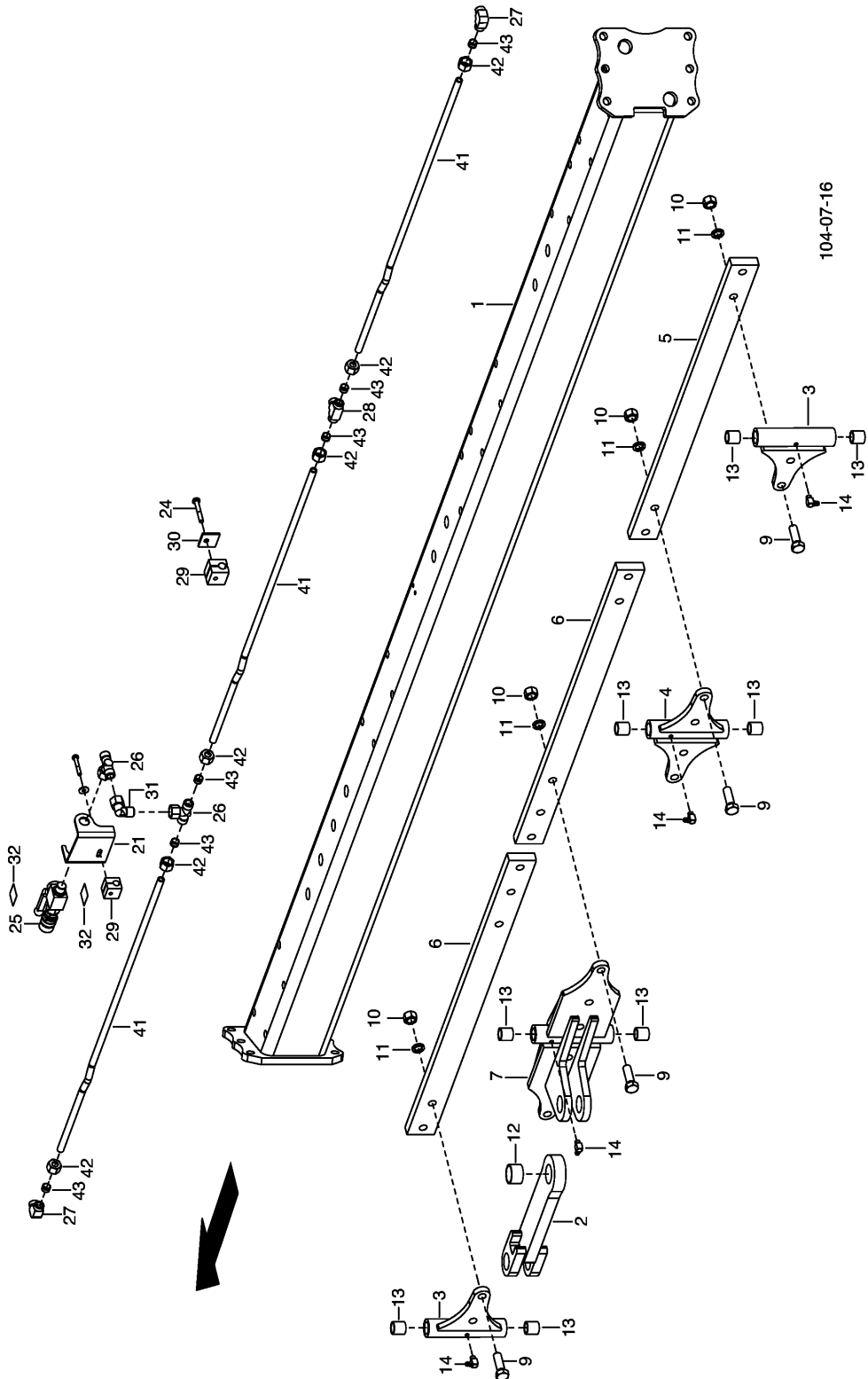
Table 140 - FRAME 5/95 NOVA PLUS



## FRAME 5/95 NOVA PLUS - Table 140

Pos	Part number	Qty	Description	Note	from No	to No
0.1	00+9841.30.030.0	1	Rahmen 5/95 Nova Plus	V (1-11		
0.2	00+ 984.36.130.1	1	Hydraulic line	(21-32		
0.3	00+ 984.36.145.0	4	Hydraulic line 12X2 L= 916	(41-43		
1	00+ 983.30.040.2	1	Frame 5/95 Plus			
2	00+ 983.30.125.0	1	Anlenkhebel 95 S Sz. Zus.			
3	00+ 983.36.025.0	2	Bracket	(13,14		
4	00+ 983.36.035.1	2	Bracket	(13,14		
5	00+ 983.36.119.1	2	Adjusting rod 95			
6	00+9831.36.119.0	2	Verstellstange 95			
7	00+ 983.61.215.0	1	Anlenklasche SZ bearbeitet	(13,14		
9	00+ 101.523	18	Bolt M16x1,5x50 DIN 961 8.8 ZN			
10	00+ 120.255	18	Nut M16x1,5 DIN 934 8 ZN			
11	00+ 165.414	18	Screw locking device M 16			
12	00+ 410.377	1	Sliding bush 35x40x25 SPRING STEEL			
13	00+ 410.365	10	Sliding bush 20x26x25 SPRING STEEL			
14	00+ 191.012	5	Lubrication nipple C M 8X1 DIN71412 SFG			
21	00+ 982.36.042.0	1	Reinforcement			
23	00+ 162.405	1	Disc 6,5/18x1,50 ISO 4759-3 ZN			
24	00+ 103.269	8	Bolt M 6x40 DIN 931 8.8 ZN			
25	00+ 445.1.003	1	Stop-cock BKH 12L-IG M18X1.5 08-1113-1			
26	00+ 448.022	2	T connection, adjustable P-ETS 12L-SV			
27	00+ 448.1.102	2	Angled connector WS 12L			
28	00+ 448.441	2	T connection TS 12L			
29	00+ 448.906	16	Clamping jaw TYPE: HRL 0 KP 12 PP POL			
30	00+ 448.907	7	Cover plate			
31	00+ 448.020	1	Angled connector, adjustable P-EWS 12L-			
32	00+ 495.786	2	Decal "Hebelstellung"			
41	00+ 984.36.146.0	4	Hydraulic line 95			
42	00+ 448.003	8	Union nut M 12L			
43	00+ 448.004	8	Cutting ring P-R 12L/S			

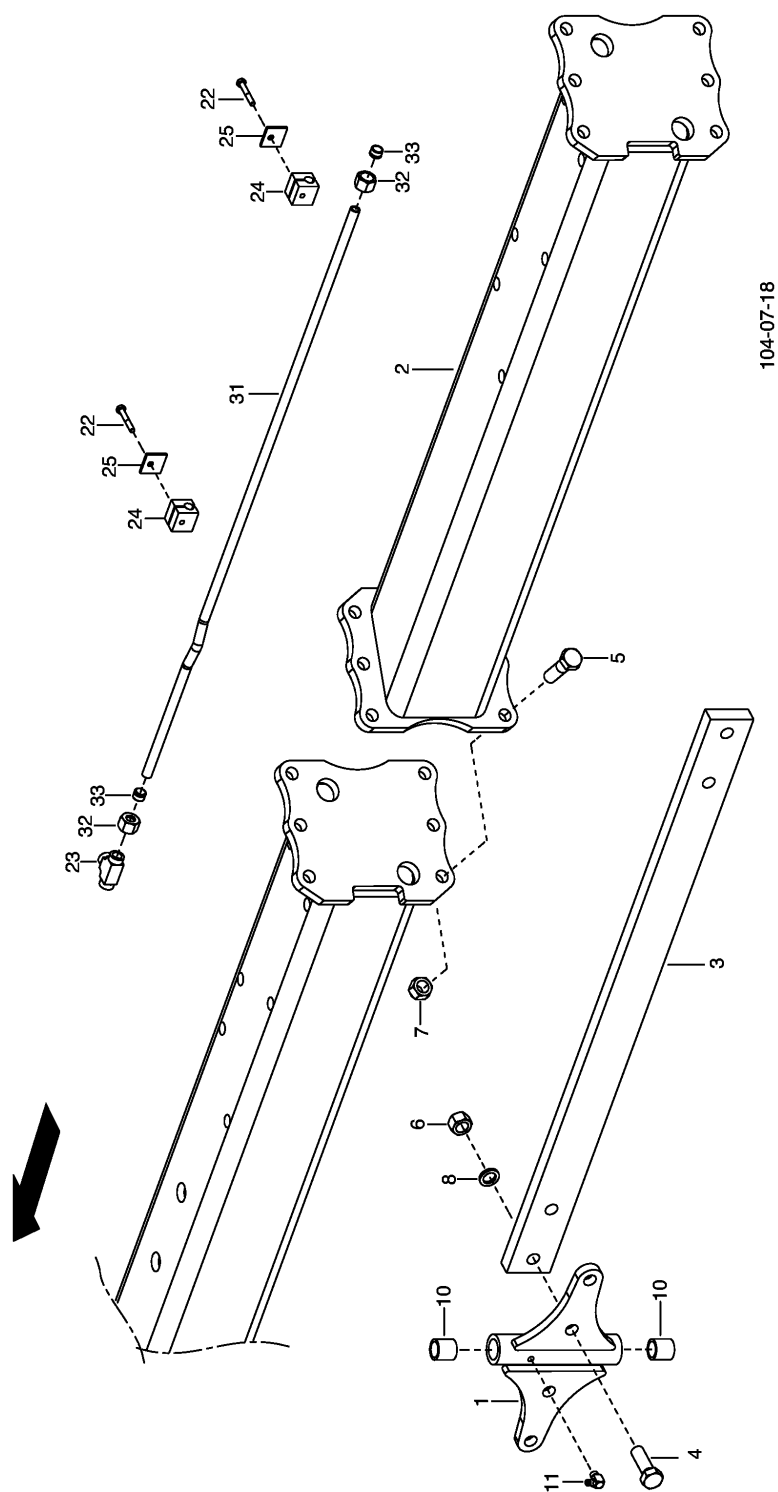
Table 150 - FRAME 4/102 NOVA PLUS



## FRAME 4/102 NOVA PLUS - Table 150

Pos	Part number	Qty	Description	Note	from No	to No
0.1	00+9841.30.001.0	1	Rahmen 4/102 Nova Plus	V (1-11		
0.2	00+ 982.36.040.0	1	Hydraulic line 4/102	(21-32		
0.3	00+ 984.36.045.0	3	Hydraulic line 12X2 L= 986	(41-43		
1	00+ 983.30.010.4	1	Frame 4/102 PLUS			
2	00+ 983.30.025.0	1	Anlenkhebel 02 S SZ/ZUS			
3	00+ 983.36.025.0	2	Bracket	(13,14		
4	00+ 983.36.035.1	1	Bracket	(13,14		
5	00+ 983.36.019.1	1	Adjusting rod 102			
6	00+9831.36.019.0	2	Verstellstange 102			
7	00+ 983.61.215.0	1	Anlenklasche SZ bearbeitet	(13,14		
9	00+ 101.523	14	Bolt M16x1,5x50 DIN 961 8.8 ZN			
10	00+ 120.255	14	Nut M16x1,5 DIN 934 8 ZN			
11	00+ 165.414	14	Screw locking device M 16			
12	00+ 410.377	1	Sliding bush 35x40x25 SPRING STEEL			
13	00+ 410.365	8	Sliding bush 20x26x25 SPRING STEEL			
14	00+ 191.012	4	Lubrication nipple C M 8X1 DIN71412 SFG			
21	00+ 982.36.042.0	1	Reinforcement			
23	00+ 162.405	1	Disc 6,5/18x1,50 ISO 4759-3 ZN			
24	00+ 103.269	6	Bolt M 6x40 DIN 931 8.8 ZN			
25	00+ 445.1.003	1	Stop-cock BKH 12L-IG M18X1.5 08-1113-1			
26	00+ 448.022	2	T connection, adjustable P-ETS 12L-SV			
27	00+ 448.1.102	2	Angled connector WS 12L			
28	00+ 448.441	1	T connection TS 12L			
29	00+ 448.906	12	Clamping jaw TYPE: HRL 0 KP 12 PP POL			
30	00+ 448.907	5	Cover plate			
31	00+ 448.020	1	Angled connector, adjustable P-EWS 12L-			
32	00+ 495.786	2	Decal "Hebelstellung"			
41	00+ 984.36.046.0	3	Hydraulikrohr 102			
42	00+ 448.003	6	Union nut M 12L			
43	00+ 448.004	6	Cutting ring P-R 12L/S			

Table 160 - SUPPORT 95 NOVA PLUS

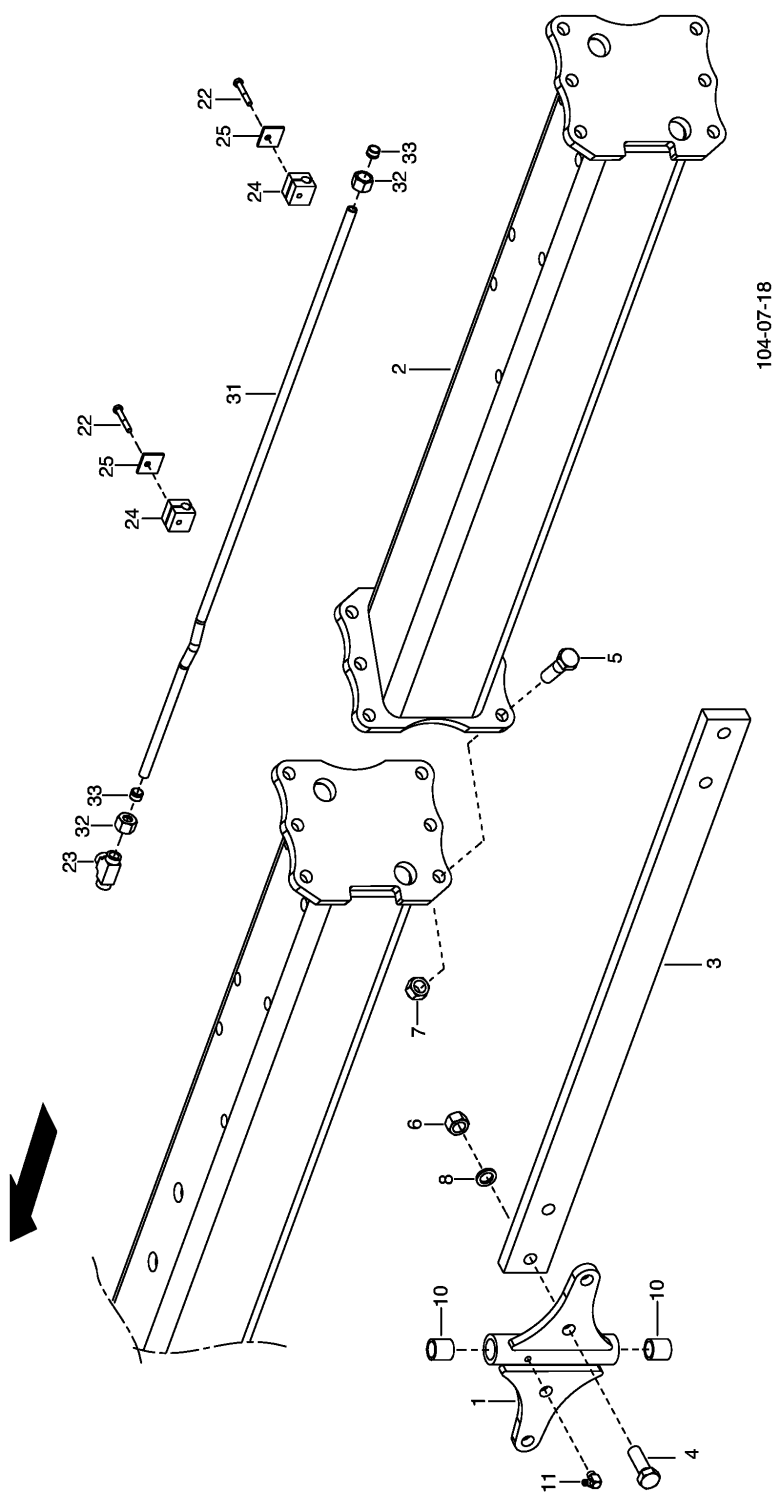




## SUPPORT 95 NOVA PLUS - Table 160

Pos	Part number	Qty	Description	Note	from No	to No
0.1	00+ 984.36.101.0	1	Mounting component 95 NOVA PLUS	V (1-8,0.02		
0.2	00+ 984.36.150.0	1	OVERFLOW PIPE	(0.03,22-25		
0.3	00+ 984.36.145.0	1	Hydraulic line 12X2 L= 916	(31-33		
1	00+ 983.36.035.1	1	Bracket	(10,11		
2	00+ 983.36.115.1	1	Mounting component 95 PLUS			
3	00+ 983.36.119.1	1	Adjusting rod 95			
4	00+ 101.523	4	Bolt M16x1,5x50 DIN 961 8.8 ZN			
5	00+ 103.366	6	Bolt M16x60 DIN 931 8.8 ZN			
6	00+ 120.255	4	Nut M16x1,5 DIN 934 8 ZN			
7	00+ 122.110	6	Nut M16 DIN 980 8 ZN			
8	00+ 165.414	4	Screw locking device M 16			
10	00+ 410.365	2	Sliding bush 20x26x25 SPRING STEEL			
11	00+ 191.012	1	Lubrication nipple C M 8X1 DIN71412 SFG			
22	00+ 103.269	2	Bolt M 6x40 DIN 931 8.8 ZN			
23	00+ 448.441	1	T connection TS 12L			
24	00+ 448.906	4	Clamping jaw TYPE: HRL 0 KP 12 PP POL			
25	00+ 448.907	2	Cover plate			
31	00+ 984.36.146.0	1	Hydraulic line 95			
32	00+ 448.003	2	Union nut M 12L			
33	00+ 448.004	2	Cutting ring P-R 12L/S			

Table 170 - SUPPORT 102 NOVA PLUS

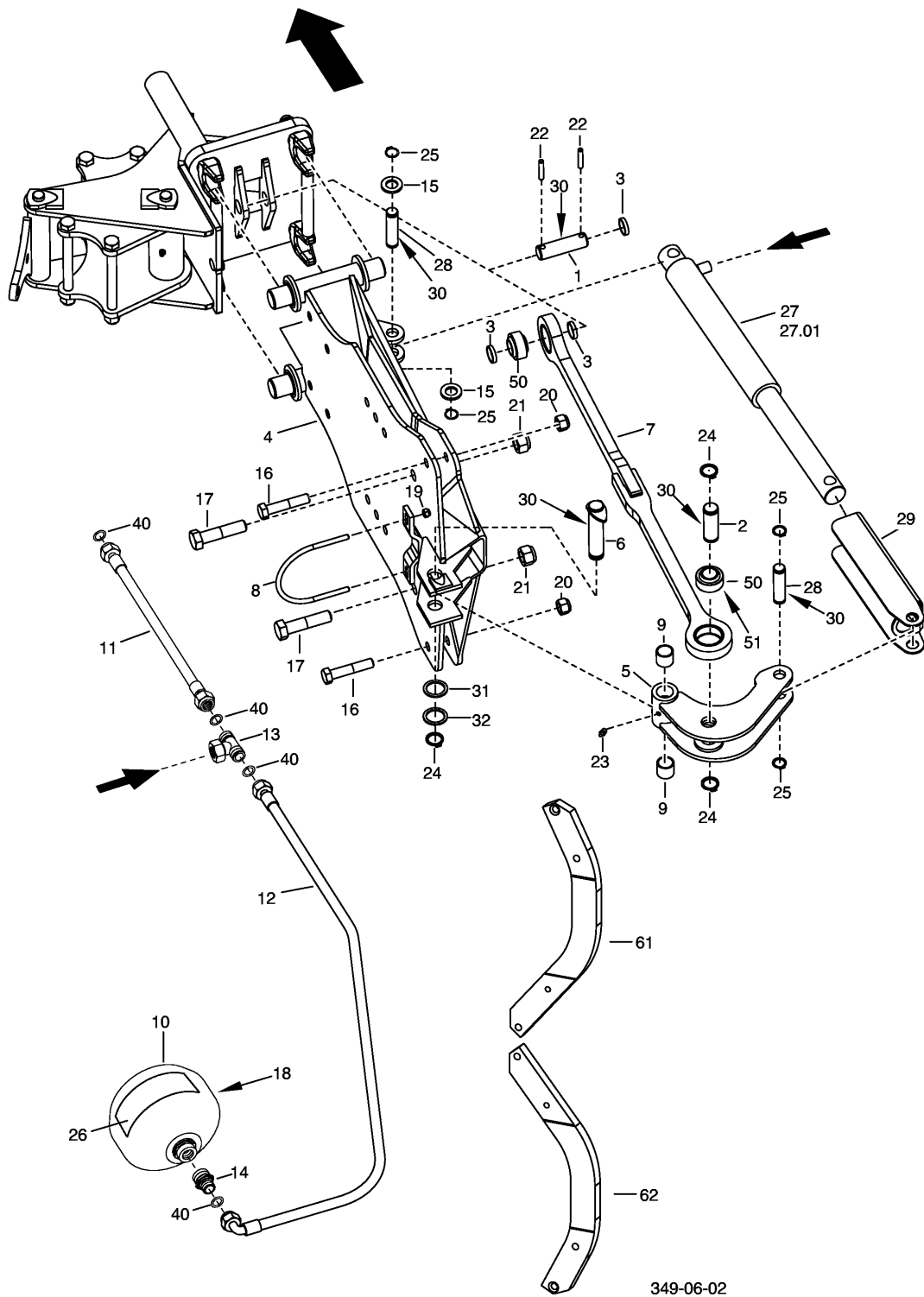


104-07-18

**SUPPORT 102 NOVA PLUS - Table 170**

Pos	Part number	Qty	Description	Note	from No	to No
0.1	00+ 984.36.001.0	1	Anbauteil 102 Nova Plus ZUS	V (1-8,0.02		
0.2	00+ 983.36.001.0	1	Mounting component 45 Plus 102 cm	(1-8		
0.3	00+ 982.36.050.0	1	Hydraulic line Anbau 102	(0.04,22-25		
0.4	00+ 984.36.045.0	1	Hydraulic line 12X2 L= 986	(31-33		
1	00+ 983.36.035.1	1	Bracket	(10,11		
2	00+ 983.36.015.1	1	Mounting component 102 PLUS			
3	00+ 983.36.019.1	1	Adjusting rod 102			
4	00+ 101.523	4	Bolt M16x1,5x50 DIN 961 8.8 ZN			
5	00+ 103.366	6	Bolt M16x60 DIN 931 8.8 ZN			
6	00+ 120.255	4	Nut M16x1,5 DIN 934 8 ZN			
7	00+ 122.110	6	Nut M16 DIN 980 8 ZN			
8	00+ 165.414	4	Screw locking device M 16			
10	00+ 410.365	2	Sliding bush 20x26x25 SPRING STEEL			
11	00+ 191.012	1	Lubrication nipple C M 8X1 DIN71412 SFG			
22	00+ 103.269	2	Bolt M 6x40 DIN 931 8.8 ZN			
23	00+ 448.441	1	T connection TS 12L			
24	00+ 448.906	4	Clamping jaw TYPE: HRL 0 KP 12 PP POL			
25	00+ 448.907	2	Cover plate			
31	00+ 984.36.046.0	1	Hydraulikrohr 102			
32	00+ 448.003	2	Union nut M 12L			
33	00+ 448.004	2	Cutting ring P-R 12L/S			

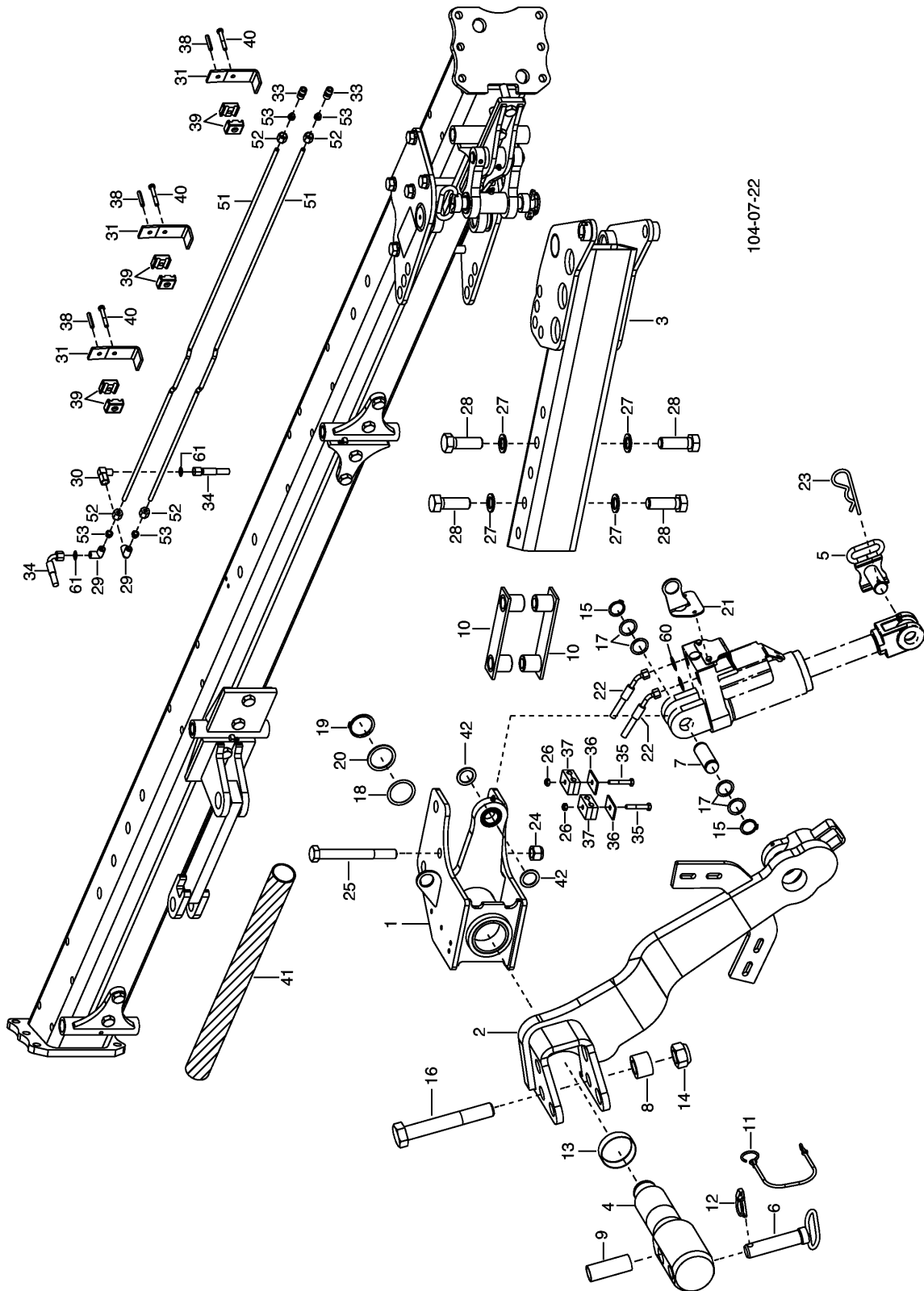
Table 180 - SWIVEL ELEMENT



## SWIVEL ELEMENT - Table 180

Pos	Part number	Qty	Description	Note	from No	to No
0.1	00+ 984.05.001.1	1	SWIVEL ELEMENT			
1	00+ 984.05.003.1	1	Pin 25x88			
2	00+ 957.05.002.1	1	Pin front 25x74 mm			
3	00+ 957.05.005.0	2	Spacer			
4	00+ 984.05.010.1	1	Pivoting element "C1"			
5	00+ 984.05.025.1	1	Lever			
6	00+ 984.05.035.0	1	Pin			
7	00+ 957.05.036.1	1	Pulling rod			
8	00+ 984.05.005.0	1	U-Bolt			
9	00+ 410.358	2	Sliding bush 25x29x25 SPRING STEEL			
10	00+ 445.102	1	Air vessel with membrane 0,75			
11	00+ 447.1.378	1	Hydraulic hose NW 10x550	(40		
12	00+ 447.2.702	1	Hydraulic hose NW 10x800	(40		
13	00+ 448.022	1	T connection, adjustable P-ETS 12L-SV			
14	00+ 448.038	1	Straight screw-in connector GES 12L/R1/2			
15	00+ 162.424	2	Disc 20,5/36x4,00 ISO 4759-3 ZN			
16	00+ 103.370	2	Bolt M16x80 DIN 931 8.8 ZN			
17	00+ 103.962	2	Bolt M20x1,5x85 DIN 960 10.9 GEOMET			
18	00+ 548.026	1	Nitrogen in flask			
19	00+ 122.106	2	Nut M 8 DIN 980 8 ZN			
20	00+ 122.110	2	Nut M16 DIN 980 8 ZN			
21	00+ 122.220	2	Nut M20x1,5 DIN 980 10 GEOMET			
22	00+ 172.969	2	Roll pin 8x45 DIN 1481 ST GEOMET			
23	00+ 191.002	1	Lubrication nipple A M 8x1 DIN71412 SFG			
24	00+ 157.820	2	Circlip 25x2 DIN 471 GEOMET			
25	00+ 157.018	4	Circlip 20x1,2 DIN 471 GEOMET			
26	00+ 494.346	1	Sticker "Caution" Memory"			
27	00+ 442.194	2	Hydraulic ram compression 45-40-245			
27.1	00+ 442.194.001	1	Sealkit for 442.194			
28	00+ 957.05.004.0	2	Pin for Zylinder			
29	00+ 957.05.031.0	1	Guard			
30	00+ 542.422	0	Optimol paste OPTIMOL OPTIMOLY PASTE VP			
31	00+ 162.427	1	Disc 25,2/34x2,00 ISO 4759-3 ZN			
32	00+ 163.119	1	Disc 25,2/34x1,00 ISO 4759-3 ZN			
40	00+ 415.578	4	O ring 9 X 1,5			
50	00+ 407.061	2	Hinge bearing GEH 25 C			
51	00+ 543.014	0	Loctite Euro-Lock	0,5 CCM		
61	00+ 942.84.001.1	1	LEG 72 CM LEFT FOR SERVO II-S			
62	00+ 942.84.002.1	1	LEGS 72 CM RIGHT FOR SERVO			

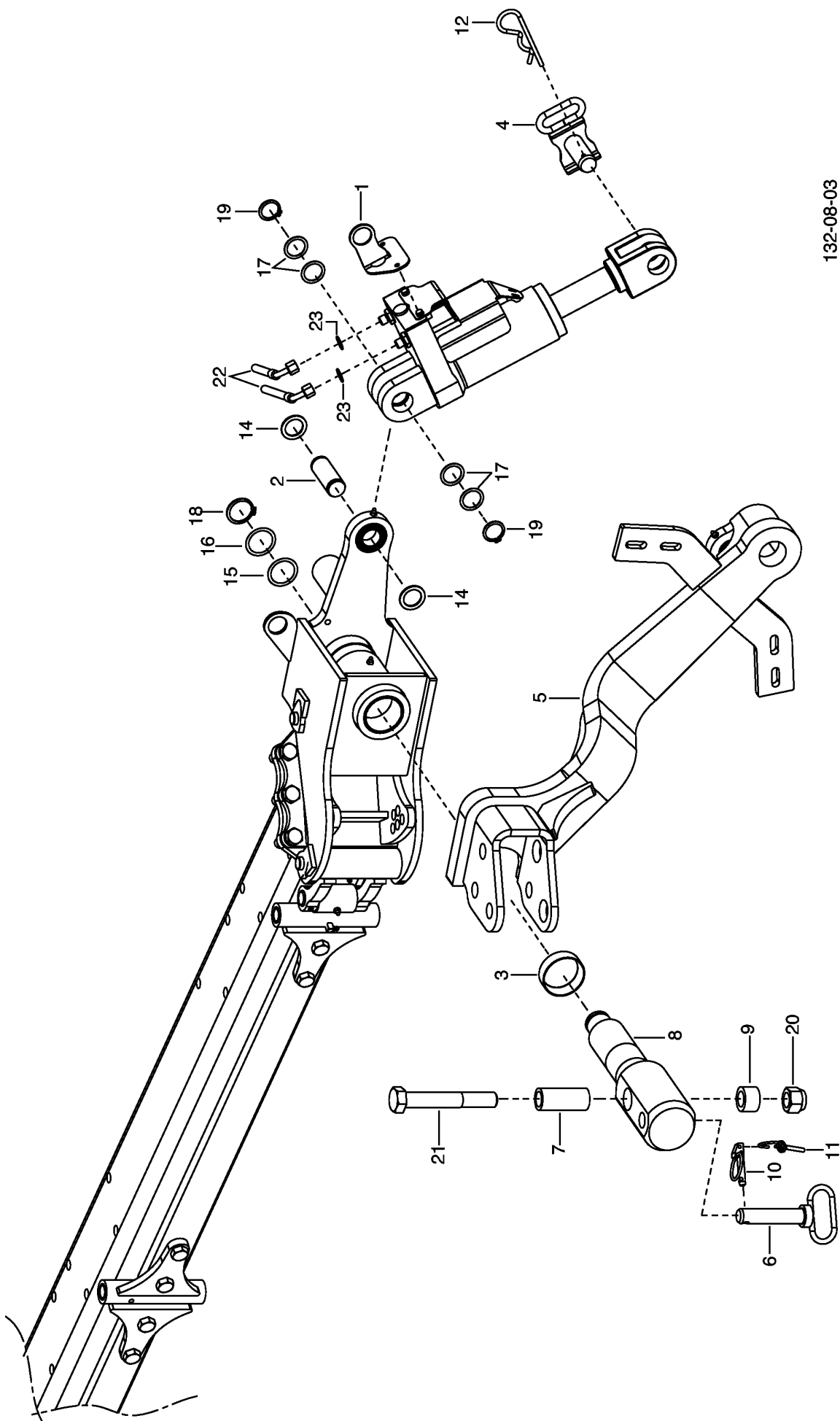
Table 190 - TRAN.TURN OVER WHEEL



**TRAN.TURN OVER WHEEL - Table 190**

Pos	Part number	Qty	Description	Note	from No	to No
0.1	00+ 923.66.300.0	1	V-TPR hydr. E			
0.2	00+ 983.37.009.0	2	Rohrleitung 8x1,5x 1200,0 Raummaß			
1	00+ 923.66.210.1	1	V-TPR Konsole hydr. Sz. mech.			
2	00+ 923.66.220.0	1	Wheel mount			
3	00+ 923.66.010.0	1	Support			
4	00+ 923.66.115.1	1	Axle			
5	00+ 923.66.055.0	1	Pin			
6	00+ 923.66.098.0	1	Pin			
7	00+ 955.61.006.1	1	Bolt 30x83			
8	00+ 923.66.090.0	1	Tube			
9	00+ 923.66.029.0	1	Spacer			
10	00+ 923.66.035.0	2	Slat			
11	00+ 438.026	1	Safety cord GTO F 80390			
12	00+ 438.054	1	Linch pin 10,5			
13	00+ 923.66.015.0	1	Ring			
14	00+ 122.224	1	Nut M30x2,0 DIN 980 10 GEOMET			
15	00+ 157.822	2	Circlip 30x2 DIN 471 GEOMET			
16	00+ 103.980	1	Bolt M30x2,0x200 DIN 960 10.9 GEOMET			
17	00+ 163.120	4	Disc 30,2/39x1,00 ISO 4759-3 ZN			
18	00+ 166.614	1	Disc 50/62x3,00 DIN 988			
19	00+ 157.831	1	Circlip 50x3 DIN 471 Phos.			
20	00+ 166.224	1	Disc 50/62x0,50 DIN 988			
21	00+9881.84.009.0	1	Zylinderhaltebügel			
22	00+ 447.2.754	2	Hydraulic hose NW 6x2300 1SN-K	(60)		
23	00+ 438.003	1	Pin 6,3 ZN			
24	00+ 122.112	1	Nut M20 DIN 980 8 ZN			
25	00+ 103.427	1	Bolt M20x180 DIN 931 8.8 ZN			
26	00+ 122.106	2	Nut M 8 DIN 980 8 ZN			
27	00+ 165.418	4	Screw locking device M 24			
28	00+ 103.957	4	Bolt M24x70 DIN 933 10.9 GEOMET			
29	00+ 448.1.101	2	Angled connector WS 8L			
30	00+ 448.177	1	Angled connector, adjustable EWSD 8L			
31	00+ 983.37.012.0	3	Holder			
33	00+ 448.1.031	2	Straight connection GS 8L			
34	00+ 447.2.207	2	Hydraulic hose NW 6x650 1SN-K	(61)		
35	00+ 103.285	2	Bolt M 8x50 DIN 931 8.8 ZN			
36	00+ 448.901.003	2	Cover plate TYPE HRZ 2 DP ST ZN			
37	00+ 448.908.001	4	Clamping jaw			
38	00+ 173.142	3	Roll pin 6x32 DIN 1481 ST GEOMET			
39	00+ 448.902	6	Clamping jaw 8- 8, ZWEI=			
40	00+ 103.269	3	Bolt M 6x40 DIN 931 8.8 ZN			
41	00+ 447.926	1	Scuff protection spiral			
42	00+ 166.604	2	Disc 30/42x2,50 DIN 988			
51	00+ 265.503	2	Pipe St 35 NBK 8x1,5 DIN2391			
52	00+ 448.005	4	Union nut M 8L			
53	00+ 448.006	4	Cutting ring P-R 8L/S			
60	00+ 415.578	4	O ring 9 X 1,5			
61	00+ 415.579	4	O ring 6,5 X 1,5			

Table 200 - OVERFLOW PIPE SERVO 45,55 S E



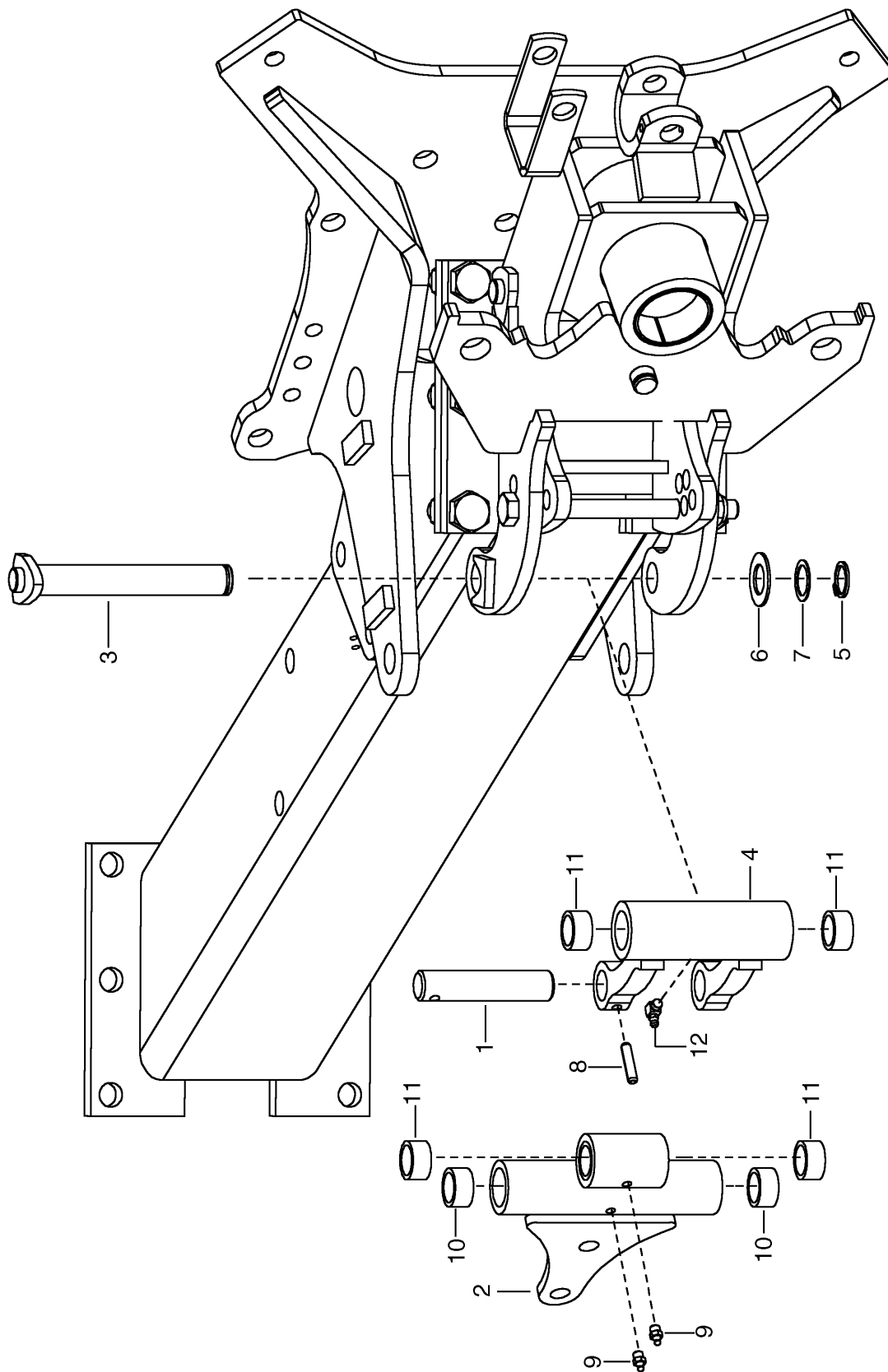
132-08-03



## OVERFLOW PIPE SERVO 45,55 S E - Table 200

Pos	Part number	Qty	Description	Note	from No	to No
0.1	00+ 923.65.001.1	1	TPR Servo 45,55 S E Zus.			
1	00+9881.84.009.0	1	Zylinderhaltebügel			
2	00+ 955.61.006.1	1	Bolt 30x83			
3	00+ 923.66.015.0	1	Ring			
4	00+ 923.66.055.0	1	Pin			
5	00+ 923.66.220.0	1	Wheel mount			
6	00+ 923.66.098.0	1	Pin			
7	00+ 923.66.029.0	1	Spacer			
8	00+ 923.66.115.1	1	Axle			
9	00+ 923.66.090.0	1	Tube			
10	00+ 438.054	1	Linch pin 10,5			
11	00+ 438.026	1	Safety cord GTO F 80390			
12	00+ 438.003	1	Pin 6,3 ZN			
14	00+ 166.604	2	Disc 30/42x2,50 DIN 988			
15	00+ 166.614	1	Disc 50/62x3,00 DIN 988			
16	00+ 166.224	1	Disc 50/62x0,50 DIN 988			
17	00+ 163.120	4	Disc 30,2/39x1,00 ISO 4759-3 ZN			
18	00+ 157.831	1	Circlip 50x3 DIN 471 Phos.			
19	00+ 157.822	2	Circlip 30x2 DIN 471 GEOMET			
20	00+ 122.224	1	Nut M30x2,0 DIN 980 10 GEOMET			
21	00+ 103.980	1	Bolt M30x2,0x200 DIN 960 10.9 GEOMET			
22	00+ 447.2.209	2	Hydraulic hose NW 6x500 1SN-K			
23	00+ 415.579	4	O ring 6,5 X 1,5			

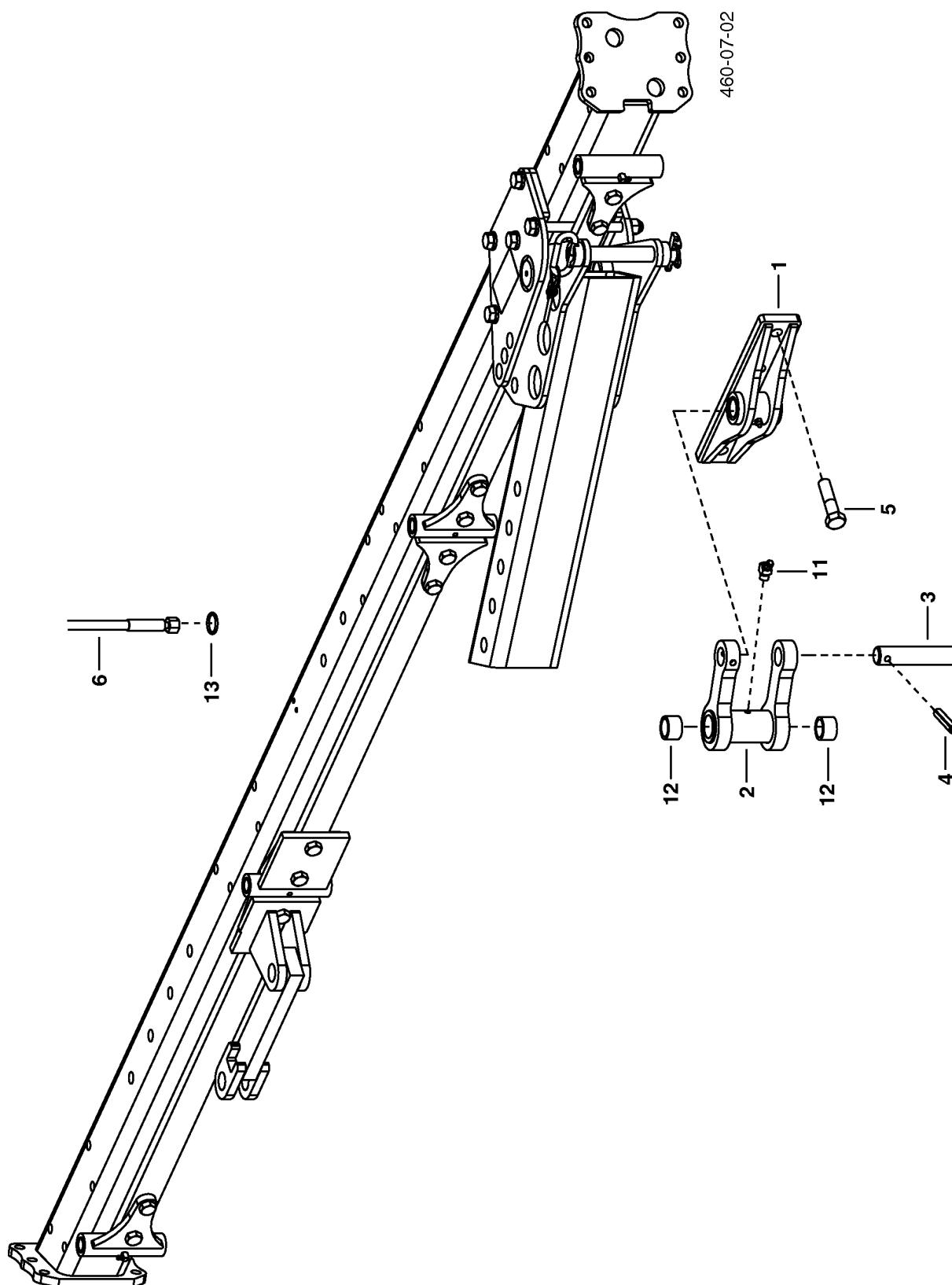
Table 210 - BAR



018-01-1

Pos	Part number	Qty	Description	Note	from No	to No
0.1	00+ 923.64.001.0	1	Coupling back			
1	00+ 923.40.118.0	1	Pin			
2	00+ 923.40.255.0	1	Bracket			
3	00+ 923.64.035.0	1	Bolt			
4	00+ 923.64.125.0	1	Link lever			
5	00+ 157.820	1	Circlip 25x2 DIN 471 GEOMET			
6	00+ 162.415	1	Disc 25,2/44x2,00 ISO 4759-3 ZN			
7	00+ 163.119	1	Disc 25,2/34x1,00 ISO 4759-3 ZN			
8	00+ 172.169	1	Roll pin 8x36 DIN 1481 ST			
9	00+ 191.002	2	Lubrication nipple A M 8x1 DIN71412 SFG			
10	00+ 410.365	2	Sliding bush 20x26x25 SPRING STEEL			
11	00+ 410.369	4	Sliding bush 25x32x20 SPRING STEEL			
12	00+ 191.012	1	Lubrication nipple C M 8X1 DIN71412 SFG			

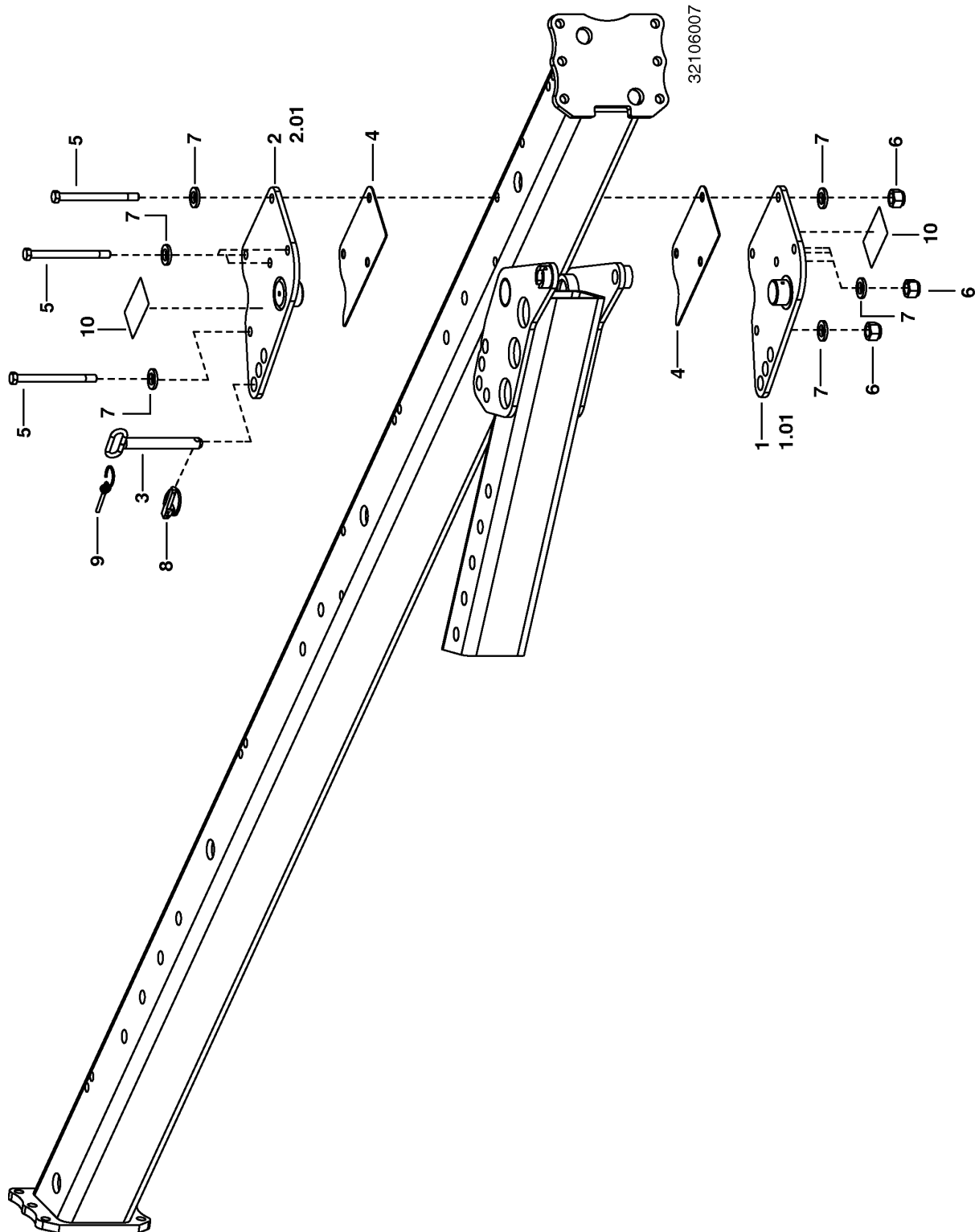
Table 220 - TRAN.TURN OVER WHEEL BAR



## TRAN.TURN OVER WHEEL BAR - Table 220

Pos	Part number	Qty	Description	Note	from No	to No
0.1	00+ 923.66.002.0	1	Link for front mounted wheel	(1-5		
1	00+ 923.66.060.0	1	Bearing block			
2	00+ 923.66.070.0	1	Link lever	(11-12		
3	00+ 923.40.118.0	1	Pin			
4	00+ 172.969	1	Roll pin 8x45 DIN 1481 ST GEOMET			
5	00+ 103.959	4	Bolt M16x1,5x65 DIN 960 10.9 GEOMET			
6	00+ 447.4.201	2	Hydraulic hose NW 6x1300 1SN-K	(13		
11	00+ 191.007	1	Lubrication nipple B M 8x1 DIN71412 SFG			
12	00+ 410.369	2	Sliding bush 25x32x20 SPRING STEEL			
13	00+ 415.579	2	O ring 6,5 X 1,5			

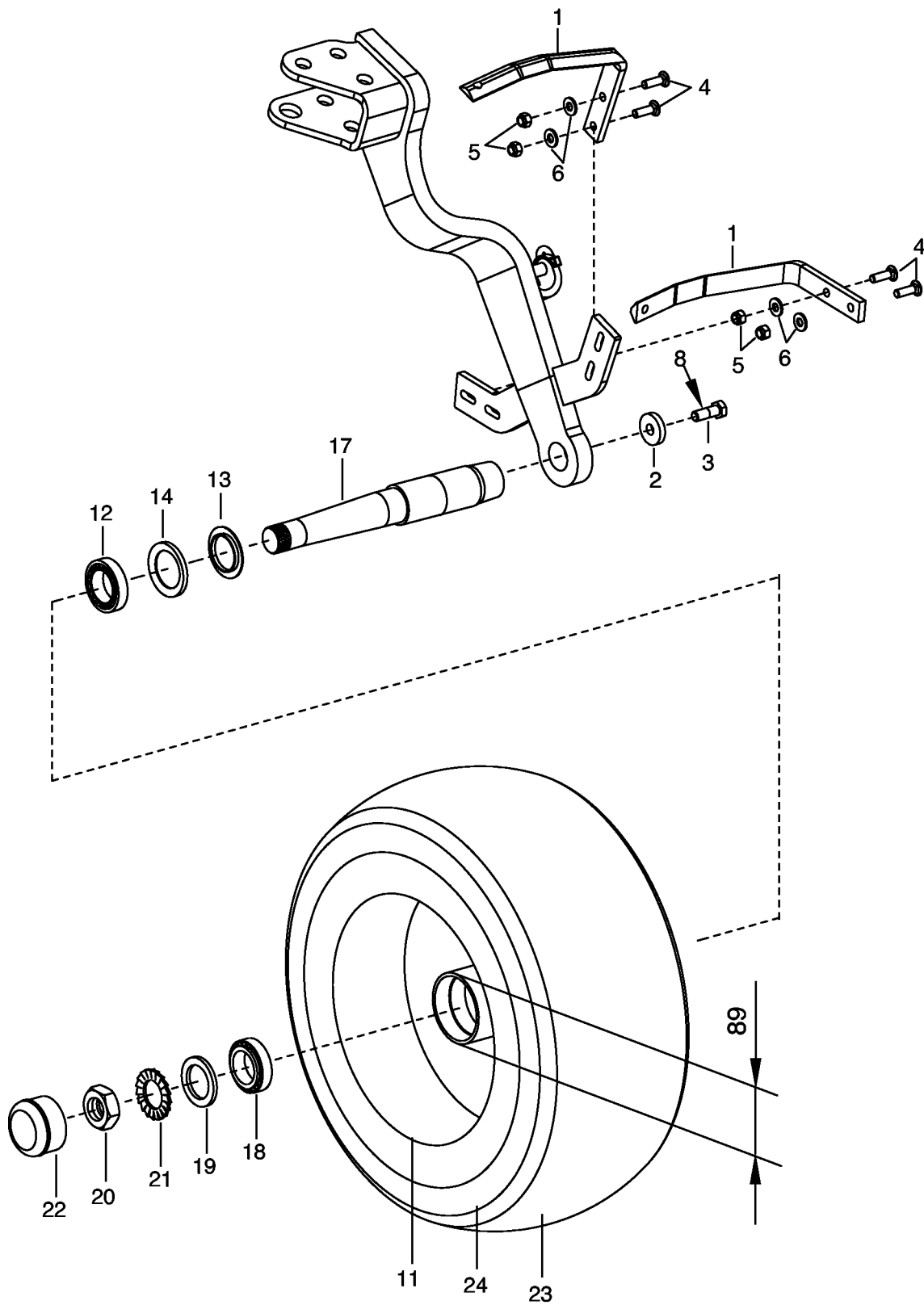
Table 230 - TRAN.TURN OVER WHEEL SUPPORT 45



## TRAN.TURN OVER WHEEL SUPPORT 45 - Table 230

Pos	Part number	Qty	Description	Note	from No	to No
0.1	00+ 923.66.003.0	1	Anbaukonsole f. vorges. Tpr. S 45	(1-10		
1	00+ 923.66.085.0	1	Disc 45	R		
1.1	00+ 923.66.085.1	1	Disc 45	R		
2	00+ 923.66.080.0	1	Disc 45	L		
2.1	00+ 923.66.080.1	1	Disc 45	L		
3	00+ 923.66.050.0	1	Pin			
4	00+ 923.66.025.0	2	Support plate			
5	00+ 101.825	5	Bolt M16x1,50x195 Thread 27mm			
6	00+ 122.218	5	Nut M16x1,5 DIN 980 10 GEOMET			
7	00+ 166.847	10	Disc 17/30x4,00 DIN 6916 ZN			
8	00+ 438.054	1	Linch pin 10,5			
9	00+ 495.798	2	Sticker "Cutting width"			
10	00+ 438.026	1	Safety cord GTO F 80390			

Table 240 - TYRES



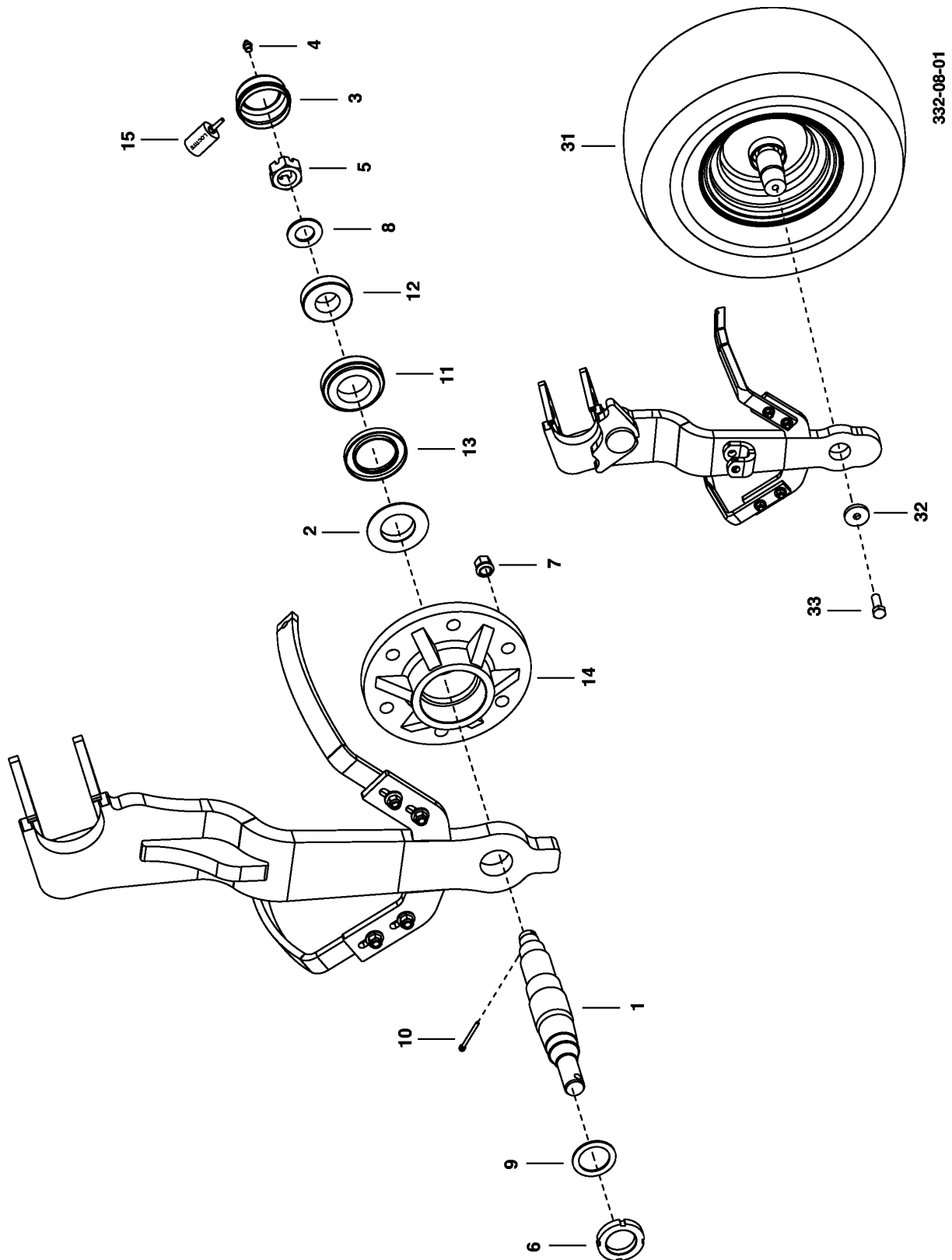
132-08-02



**TYRES - Table 240**

Pos	Part number	Qty	Description	Note	from No	to No
0.1	00+ 923.66.005.0	1	Tyres 705X277 (10.0/75-12)	V		
0.2	00+ 500.1.229	1	Tyres 10,0/75-12; 10PR	(11-24		
1	00+ 923.64.091.0	2	Scraper T446			
2	00+ 923.66.094.0	1	Disc			
3	00+ 103.918	1	Bolt M16x1,5x45 DIN 961 10.9 GEOMET			
4	00+ 108.921	4	Bolt M12x40 DIN 603 8.8 ZN			
5	00+ 122.108	4	Nut M12 DIN 980 8 ZN			
6	00+ 162.403	4	Disc 13/28x3,00 ISO 4759-3 ZN			
8	00+ 543.004	1	Securing for bolts 250 ml			
11	00+ 500.1.228.10	1	Rim 7,00x12x3.0			
12	00+ 404.508	1	Taper roller bearing 30208 DIN 720			
13	00+ 500.1.228.06	1	Seal ext.			
14	00+ 500.1.228.07	1	Seal int.			
17	00+ 500.1.228.01	1	Axle 50x278, 5			
18	00+ 404.537	1	Taper roller bearing 30307 DIN 720			
19	00+ 500.1.228.09	1	Disc 58/35X2,5			
20	00+ 500.1.228.02	1	SK nut			
21	00+ 500.1.228.03	1	Plate			
22	00+ 500.1.228.04	1	Screw cap			
23	00+ 452.140	1	Wheel 10,0/75-12/10PR			
24	00+ 452.526	1	Tube 10,0/80-12			

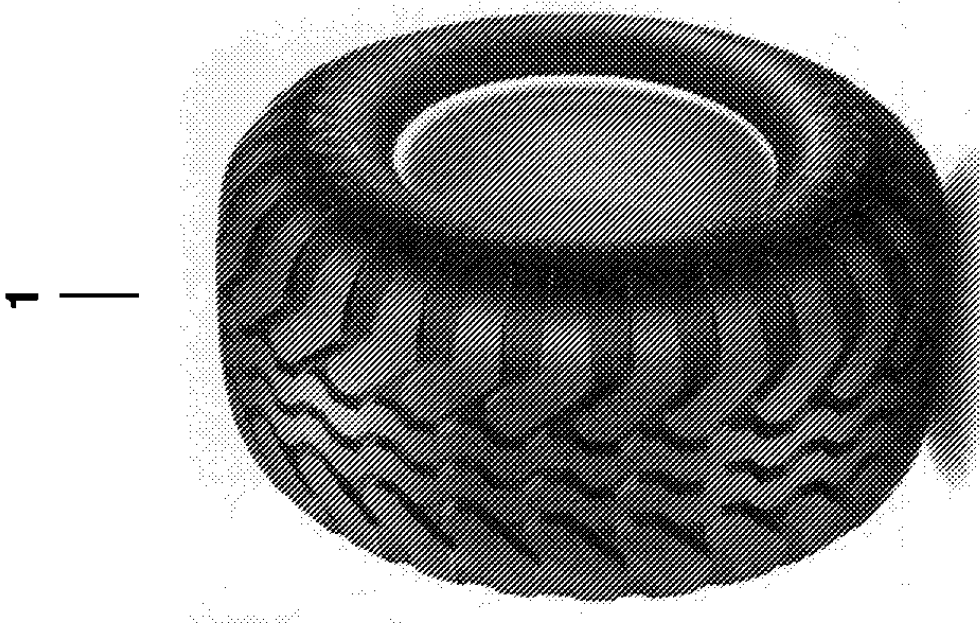
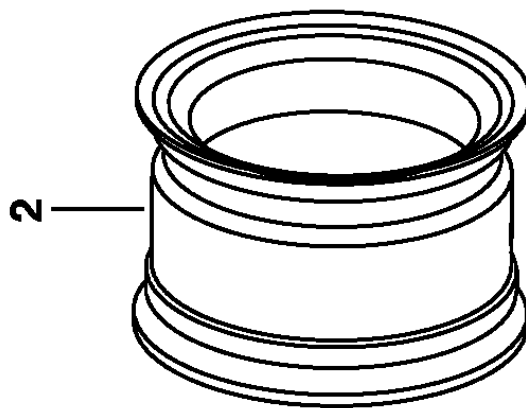
Table 250 - WHEEL



332-08-01

## WHEEL - Table 250

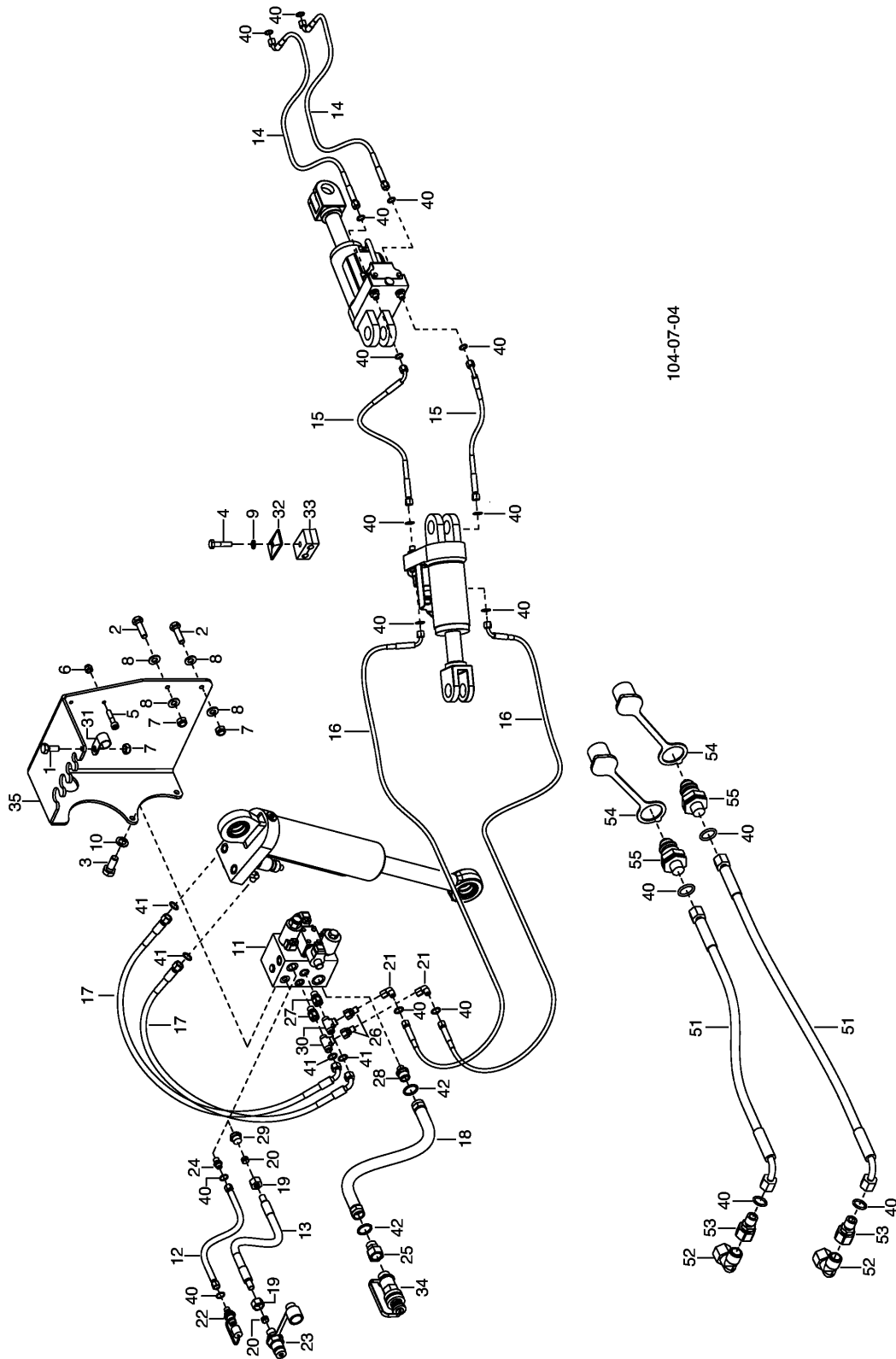
Pos	Part number	Qty	Description	Note	from No	to No
0.1	00+ 923.66.006.1	1	Wheel		01170	
0.2	00+ 923.66.005.0	1	Tyres 705X277 (10.0/75-12)	(31-33		
1	00+ 923.66.026.2	1	Axle			
2	00+ 923.66.032.0	1	Ring			
3	06+ 00888	1	Hub cap Ø 80 mm			
4	00+ 191.002	1	Lubrication nipple A M 8x1 DIN71412 SFG			
5	00+ 121.518	1	Nut M30x1,5 DIN 979 04 ZN			
6	00+ 124.310	1	Nut M50x1,5 DIN 981 11H			
7	00+ 127.005	6	Nut M18x1,5 DIN 74361 8 ZN			
8	00+ 162.153	1	Disc 31/56x4,00 DIN 125 ZN			
9	00+ 163.125	1	Disc 50,2/70x3,00 ISO 4759-3 ZN			
10	00+ 175.268	1	Split-pin 5,0x50 DIN 94-St chrom.			
11	00+ 404.511.001	1	Taper roller bearing 30211 DIN 720			
12	00+ 404.568.001	1	Taper roller bearing 32208 DIN 720			
13	00+ 415.195	1	Shaft sealing ring A 65X100X10 DIN3760			
14	00+ 453.474	1	Rotor hub			
15	00+ 543.014	1	Loctite Euro-Lock	0,1 CCM		
31	00+ 500.1.229	1	Tyres 10,0/75-12; 10PR			
32	00+ 923.66.094.0	1	Disc			
33	00+ 103.918	1	Bolt M16x1,5x45 DIN 961 10.9 GEOMET			



## WHEEL 260/70-15,3 - Table 251

Pos	Part number	Qty	Description	Note	from No	to No
0.1	00+ 500.1.461	1	Wheel 260/70-15,3;126 A8;F+;6			
1	00+ 452.258	1	Tyre 260/70-15,3 TL; 126 A8; Flot+			
2	00+ 451.591	1	Disc wheel 9,00X15,3 ET 0			

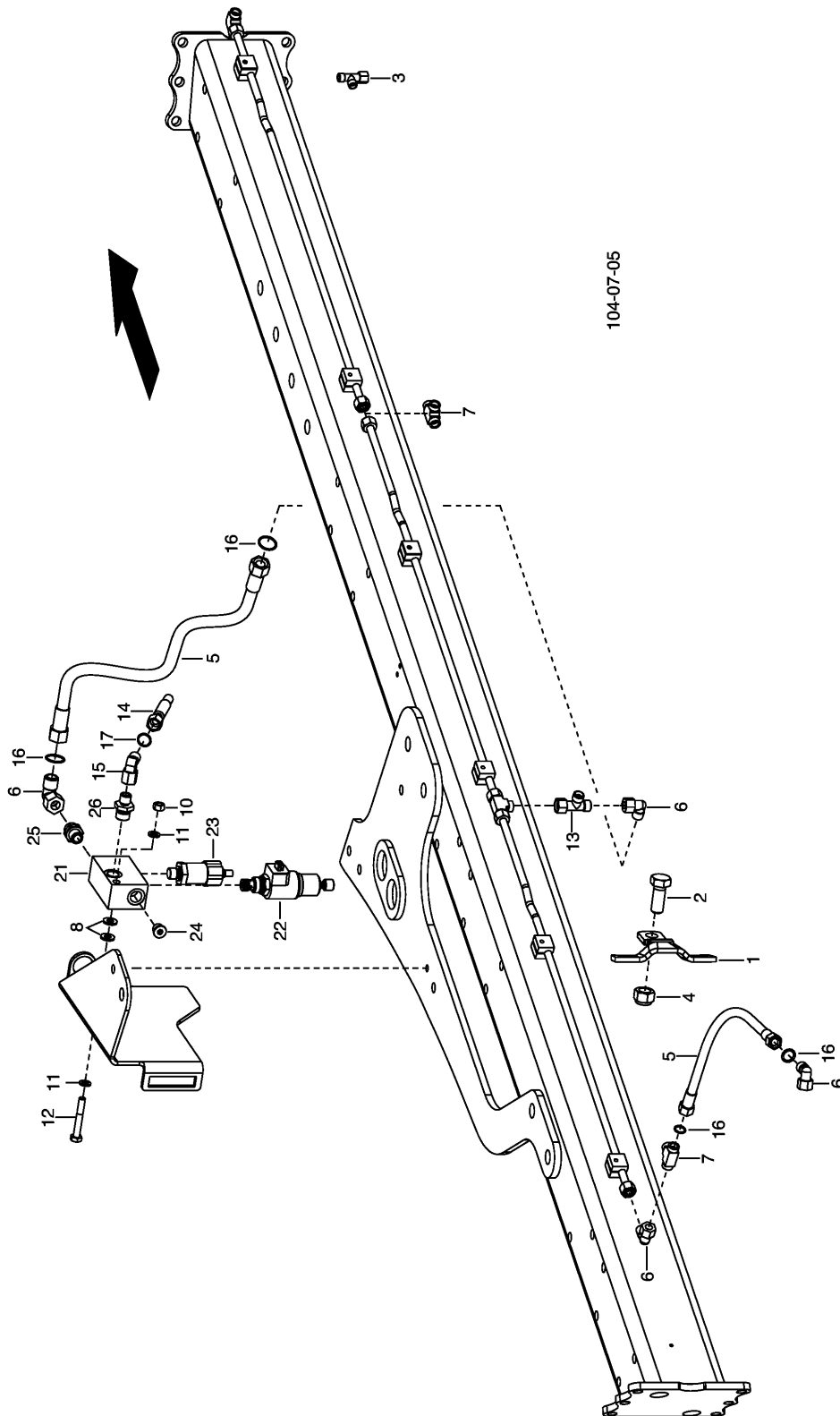
Table 260 - OVERFLOW PIPE



## OVERFLOW PIPE - Table 260

Pos	Part number	Qty	Description	Note	from No	to No
0.1	00+9881.50.050.0	1	Hydroleitungen zus			
0.2	00+ 983.63.035.0	1	Emergency control	(51-55)		
1	00+ 103.043	1	Bolt M 8x20 DIN 933 8.8 ZN			
2	00+ 103.045	2	Bolt M 8x30 DIN 933 8.8 ZN			
3	00+ 103.064	2	Bolt M10x25 DIN 933 8.8 ZN			
4	00+ 103.282	3	Bolt M 8x35 DIN 931 8.8 ZN			
5	00+ 104.749	4	Bolt M 6x35 DIN 912 8.8 ZN			
6	00+ 122.104	4	Nut M 6 DIN 980 8 ZN			
7	00+ 122.106	3	Nut M 8 DIN 980 8 ZN			
8	00+ 162.158	4	Disc 8,4/17x1,60 DIN 125 ZN			
9	00+ 165.310	3	Spring washer 8/14,8x2,00 DIN 128 ZN			
10	00+ 165.311	2	Spring washer 10/18,1x1,80 DIN 128 ZN			
11	00+ 445.167.011	1	Ventilblock HF 20871-02			
12	00+ 447.1.212	1	Hydraulic hose NW 6x1250	(40)		
13	00+ 447.183	1	Hydraulic hose 15/NW 12/15/1100			
14	00+ 447.2.208	2	Hydraulic hose NW 6x910 1SN-K	(40)		
15	00+ 447.2.209	2	Hydraulic hose NW 6x500 1SN-K	(40)		
16	00+ 447.2.219	2	Hydraulic hose NW 6x2200 1SN-K	(40)		
17	00+ 447.2.702	2	Hydraulic hose NW 10x800	(40)		
18	00+ 447.1.705	1	Hydraulic hose NW 16x1600	(42)		
19	00+ 448.007	2	Union nut M 15L			
20	00+ 448.008	2	Cutting ring P-R 15L			
21	00+ 448.019	2	Angled connector, adjustable P-EWS 8L-S			
22	00+ 448.083	1	Plug SVK M14x1,5; 8L, (2)			
23	00+ 448.084	1	SVK plug M22x1,5; 15L; Baugröße 4			
24	00+ 448.1.046	1	Straight screw-in connector GES 8LR			
25	00+ 448.1.062	1	Reducing union P-REDS 22/18L-SV			
26	00+ 448.1.067	2	Reducing union Reduzierstutzen			
27	00+ 448.1.073	2	Straight screw-in connector EGESD			
28	00+ 448.229	1	Straight screw-in connector GES			
29	00+ 448.232	1	Straight screw-in connector GES 15LR			
30	00+ 448.441	2	T connection TS 12L			
31	00+ 448.558	1	Clamp 19,0 NR. 900729-4			
32	00+ 448.901.003	3	Cover plate TYPE HRZ 2 DP ST ZN			
33	00+ 448.908.001	6	Clamping jaw			
34	00+ 448.058	1	Bush SVK M30x2,0 22L, (4)			
35	00+9881.63.021.0	1	Ventilblockhalterung			
36	00+ 983.63.035.0	1	Emergency control			
37	00+ 447.936	1	Protective hose 45X1,1	2,2M		
40	00+ 415.579	18	O ring 6,5 X 1,5			
41	00+ 415.578	2	O ring 9 X 1,5			
42	00+ 415.329	2	O ring 15 X 2 DIN 3770			
51	00+ 447.2.202	2	Hydraulic hose NW 6x1200 1SN-K	(40)		
52	00+ 448.020	2	Angled connector, adjustable P-EWS 12L-			
53	00+ 448.1.067	2	Reducing union Reduzierstutzen			
54	00+ 448.052	2	Dust cover red			
55	00+ 448.085	2	Plug M14x1,5; 8L; Baugröße 3			

Table 270 - NOVA-OVERFLOW PIPE

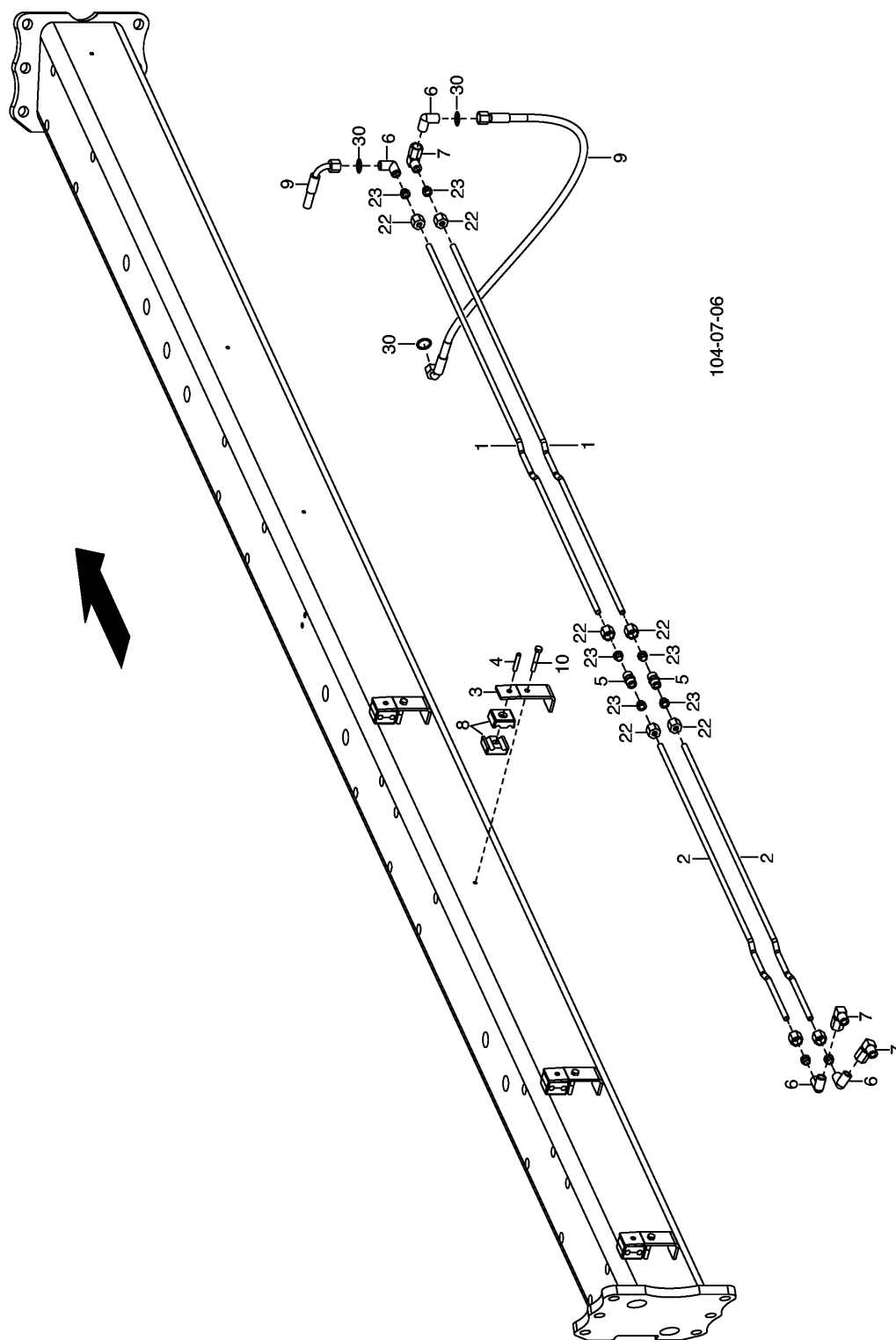




## NOVA-OVERFLOW PIPE - Table 270

Pos	Part number	Qty	Description	Note	from No	to No
1	00+ 983.67.030.0	1	Retainer			
2	00+ 103.169	1	Bolt M20x50 DIN 933 8.8 ZN			
3	00+ 448.1.271	1	L connection, adjustable P-ELS 8L-SV			
4	00+ 122.112	1	Nut M20 DIN 980 8 ZN			
5	00+ 447.1.378	2	Hydraulic hose NW 10x550	(16)		
6	00+ 448.020	3	Angled connector, adjustable P-EWS 12L-			
7	00+ 448.441	2	T connection TS 12L			
8	00+ 162.407	2	Disc 8,5/18x2,00 DIN 134 ZN			
9	00+ 445.502	1	Druckmessblock Zus.			
10	00+ 120.159	1	Nut M 8 DIN 934 8 ZN			
11	00+ 165.310	2	Spring washer 8/14,8x2,00 DIN 128 ZN			
12	00+ 103.286	1	Bolt M 8x55 DIN 931 8.8 ZN			
13	00+ 448.1.274	1	L connection, adjustable P-ELSD 12L			
14	00+ 447.2.210	1	Hydraulic hose NW 6x250 1SN-K	(17)		
15	00+ 448.019	1	Angled connector, adjustable P-EWS 8L-S			
16	00+ 415.578	2	O ring 9 X 1,5			
17	00+ 415.579	2	O ring 6,5 X 1,5			

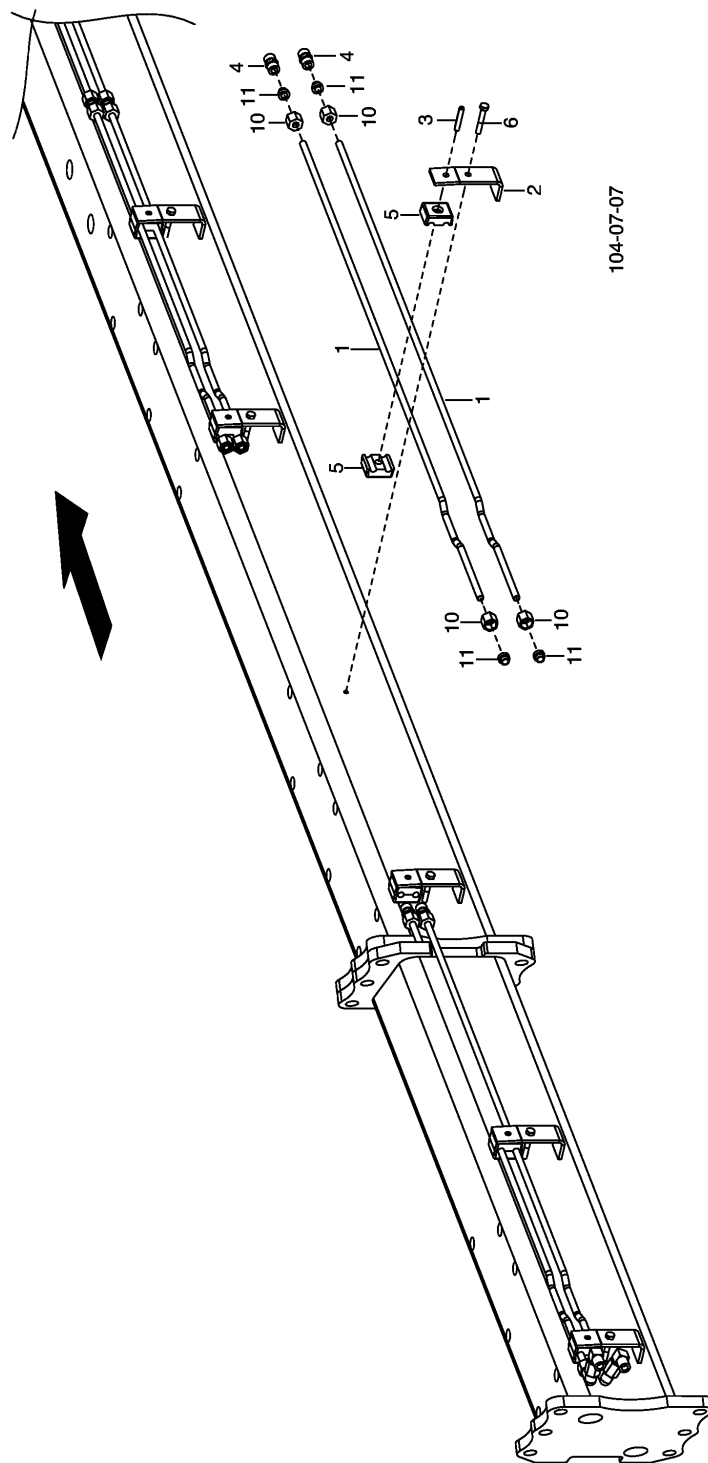
Table 290 - OVERFLOW PIPE



## OVERFLOW PIPE - Table 290

Pos	Part number	Qty	Description	Note	from No	to No
0.1	00+9881.37.014.0	1	TPR Rahmenrohrleitungen 95 E zus	V		
1	00+ 983.37.010.0	2	Hydraulic line 8X1,5 L= 940	(22,23		
2	00+ 983.37.011.0	2	Hydraulic line 8X1,5 L= 700			
3	00+ 983.37.012.0	4	Holder			
4	00+ 173.142	4	Roll pin 6x32 DIN 1481 ST GEOMET			
5	00+ 448.1.031	2	Straight connection GS 8L			
6	00+ 448.1.101	4	Angled connector WS 8L			
7	00+ 448.177	3	Angled connector, adjustable EWSD 8L			
8	00+ 448.902	8	Clamping jaw 8- 8, ZWEI=			
9	00+ 447.2.207	2	Hydraulic hose NW 6x650 1SN-K	(30		
10	00+ 103.269	4	Bolt M 6x40 DIN 931 8.8 ZN			
22	00+ 448.005	8	Union nut M 8L			
23	00+ 448.006	8	Cutting ring P-R 8L/S			
30	00+ 415.579	4	O ring 6,5 X 1,5			

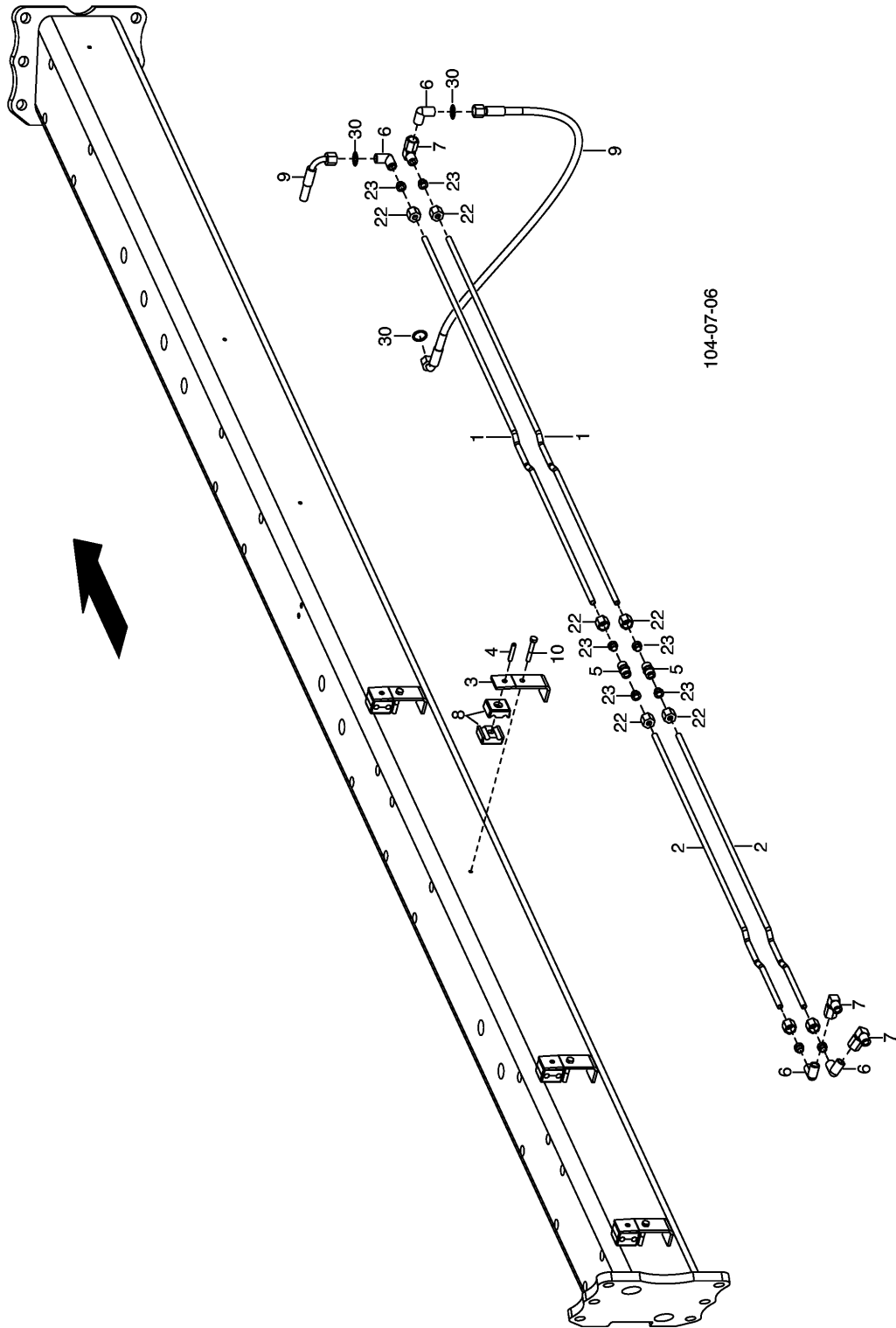
Table 300 - OVERFLOW PIPE 95 E



**OVERFLOW PIPE 95 E - Table 300**

Pos	Part number	Qty	Description	Note	from No	to No
0.1	00+9881.37.015.0	1	TPR Leitungsverlaeng 95 E zus	V		
1	00+ 983.37.020.0	2	Rohrleitung 8x1,5x 939,0 Raummaß	(10,11		
2	00+ 983.37.012.0	2	Holder			
3	00+ 173.143	2	Roll pin 6x36 DIN 1481 ST GEOMET			
4	00+ 448.1.031	2	Straight connection GS 8L			
5	00+ 448.902	4	Clamping jaw 8- 8, ZWEI=			
6	00+ 103.269	2	Bolt M 6x40 DIN 931 8.8 ZN			
10	00+ 448.005	4	Union nut M 8L			
11	00+ 448.006	4	Cutting ring P-R 8L/S			

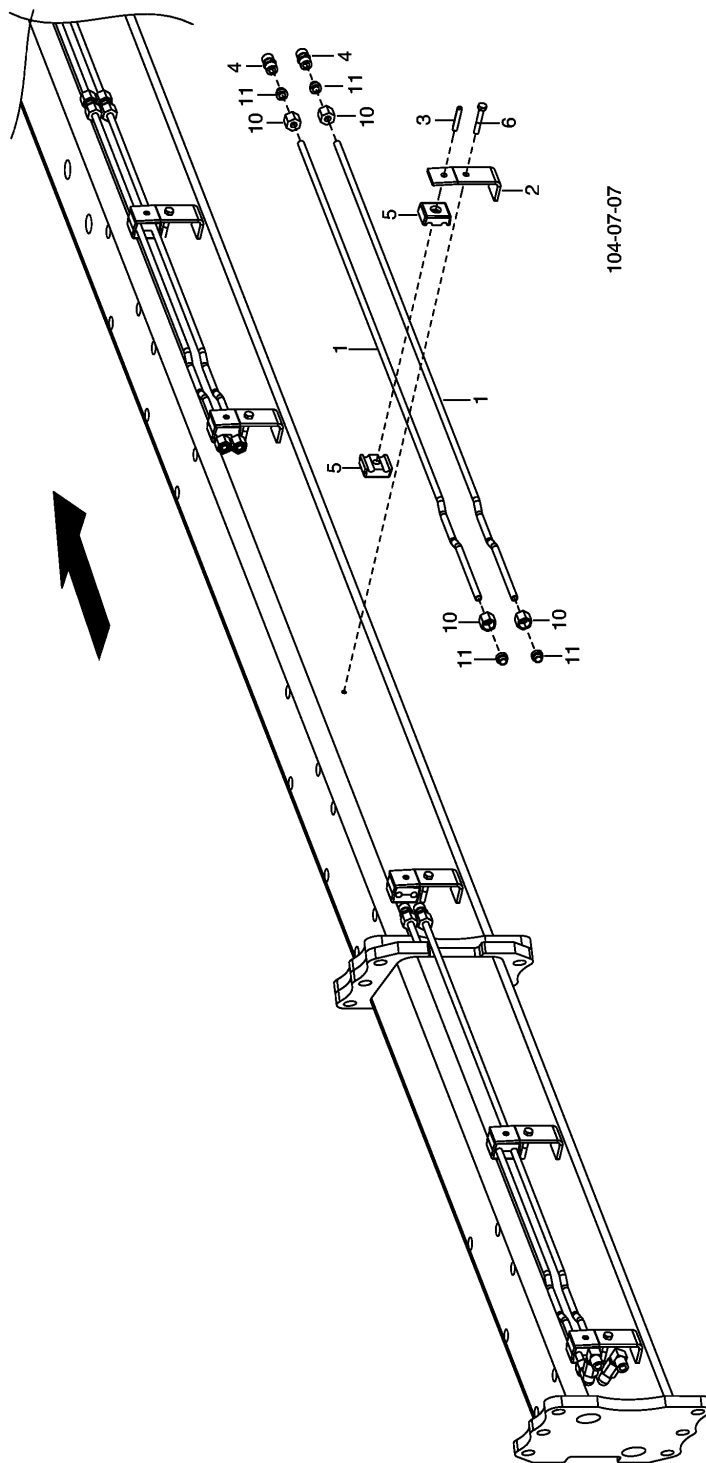
Table 310 - OVERFLOW PIPE



## OVERFLOW PIPE - Table 310

Pos	Part number	Qty	Description	Note	from No	to No
0.1	00+9881.37.114.0	1	TPR Rahmenrohrleitungen 02 E zus	V		
1	00+ 983.37.110.0	2	Hydraulic line 8X1,5 L= 1010	(22,23		
2	00+ 983.37.111.0	2	Hydraulic line 8X1,5 L= 840			
3	00+ 983.37.012.0	4	Holder			
4	00+ 173.142	4	Roll pin 6x32 DIN 1481 ST GEOMET			
5	00+ 448.1.031	2	Straight connection GS 8L			
6	00+ 448.1.101	4	Angled connector WS 8L			
7	00+ 448.177	3	Angled connector, adjustable EWSD 8L			
8	00+ 448.902	8	Clamping jaw 8- 8, ZWEI=			
9	00+ 447.2.207	2	Hydraulic hose NW 6x650 1SN-K	(30		
10	00+ 103.269	4	Bolt M 6x40 DIN 931 8.8 ZN			
22	00+ 448.005	8	Union nut M 8L			
23	00+ 448.006	8	Cutting ring P-R 8L/S			
30	00+ 415.579	4	O ring 6,5 X 1,5			

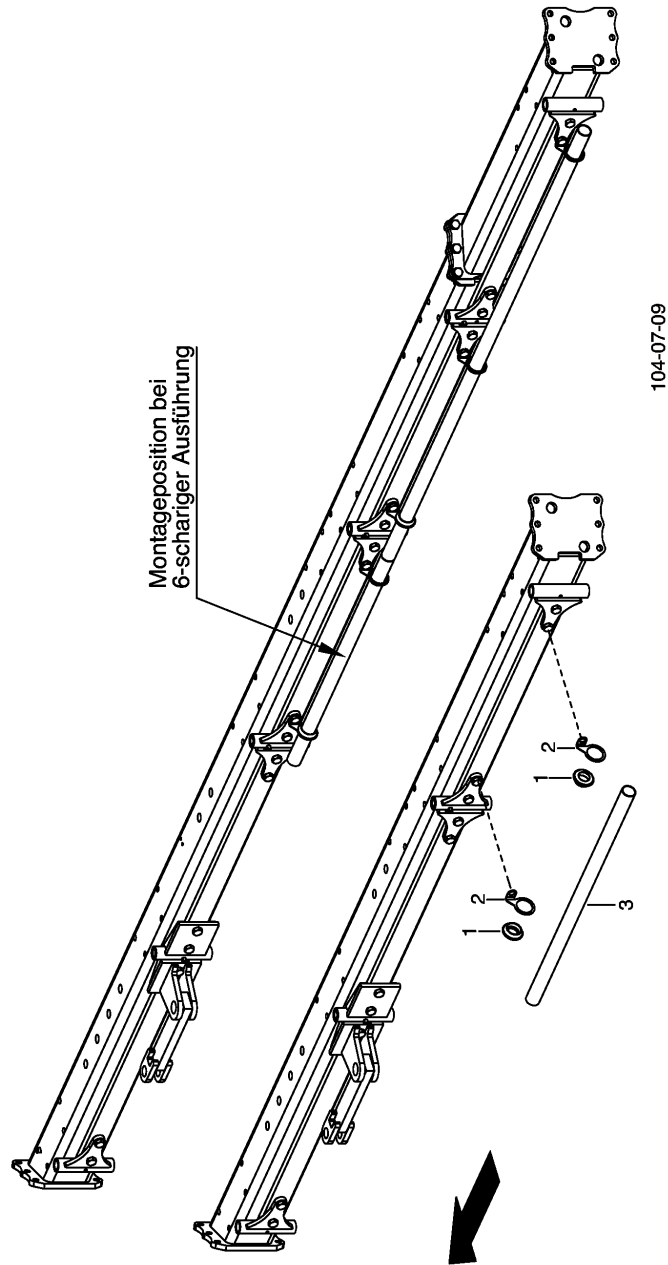
Table 320 - OVERFLOW PIPE 102 E





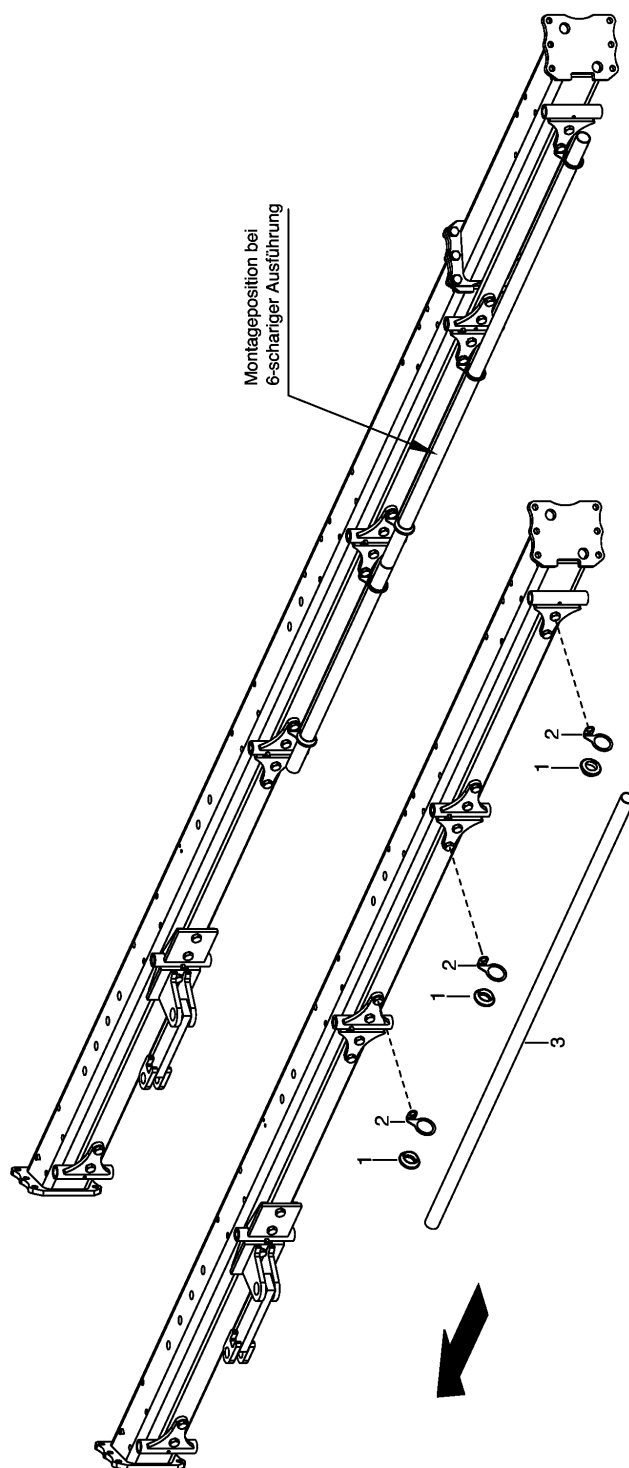
**OVERFLOW PIPE 102 E - Table 320**

Pos	Part number	Qty	Description	Note	from No	to No
0.1	00+9881.37.115.0	1	TPR Leitungsverlaeng 02 E zus	V		
1	00+ 983.37.120.0	2	Rohrleitung 8x1,5x 1009,0 Raummaß	(10,11		
2	00+ 983.37.012.0	2	Holder			
3	00+ 173.143	2	Roll pin 6x36 DIN 1481 ST GEOMET			
4	00+ 448.1.031	2	Straight connection GS 8L			
5	00+ 448.902	4	Clamping jaw 8- 8, ZWEI=			
6	00+ 103.269	2	Bolt M 6x40 DIN 931 8.8 ZN			
10	00+ 448.005	4	Union nut M 8L			
11	00+ 448.006	4	Cutting ring P-R 8L/S			



**GUARD - Table 330**

Pos	Part number	Qty	Description	Note	from No	to No
0.1	00+9881.37.050.0	1	3Scheuerschutz 4 TPR	V		
1	79+ 9001.59.40	2	SCHLAUCHTUELLE OFFEN			
2	00+9881.84.007.0	2	Rohrhalter			
3	00+ 496.106	1	SCHUTZROHR 40X2X 915 MM SCHLAGFESTES PV			

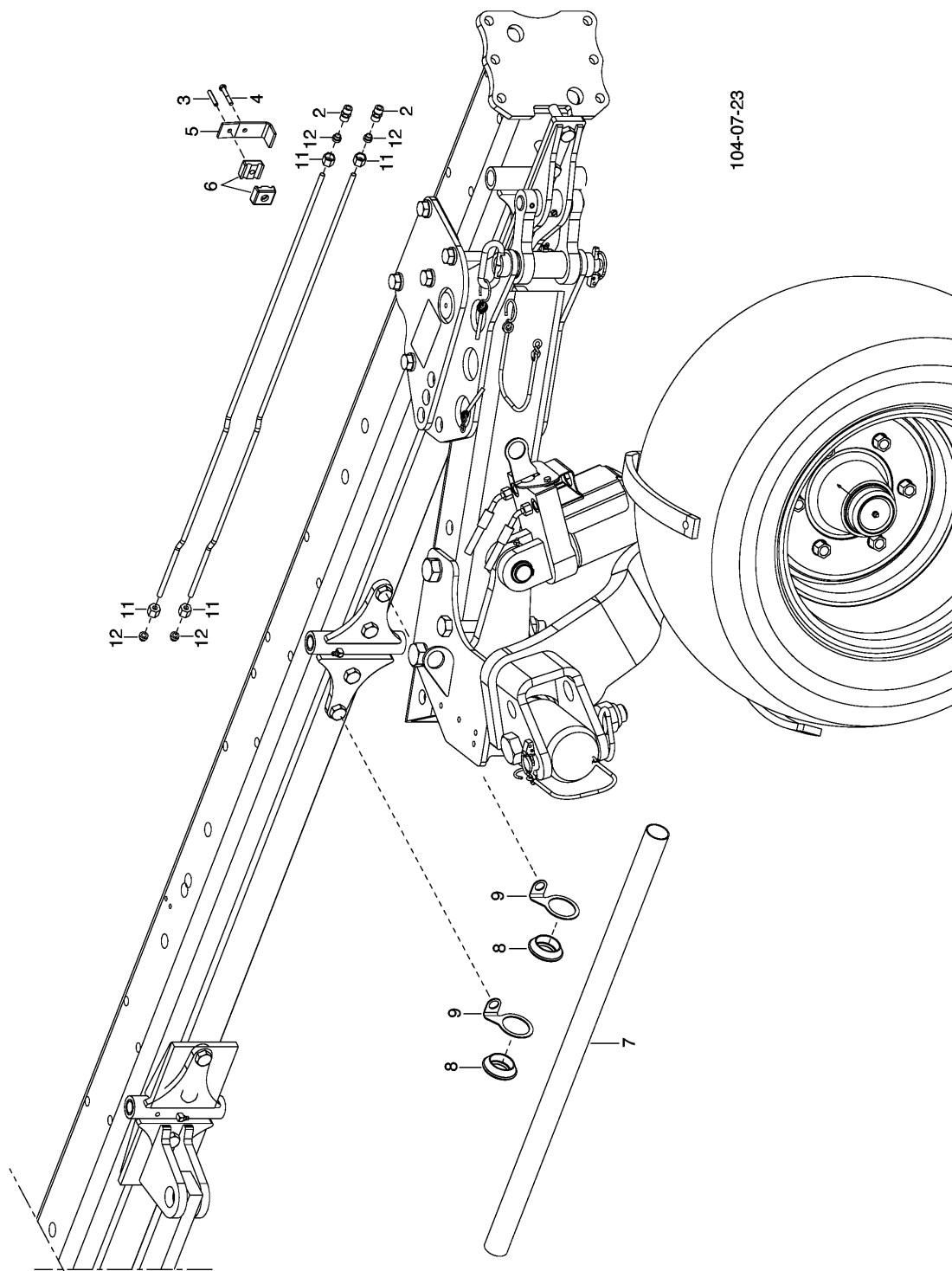


104-07-08

**GUARD - Table 340**

Pos	Part number	Qty	Description	Note	from No	to No
0.1	00+9881.37.051.0	1	Scheuerschutz 5 TPR	V		
1	79+ 9001.59.40	2	SCHLAUCHTUELLE OFFEN			
2	00+9881.84.007.0	2	Rohrhalter			
3	00+ 496.130	1	Protective pipe 40,0X2X1905			

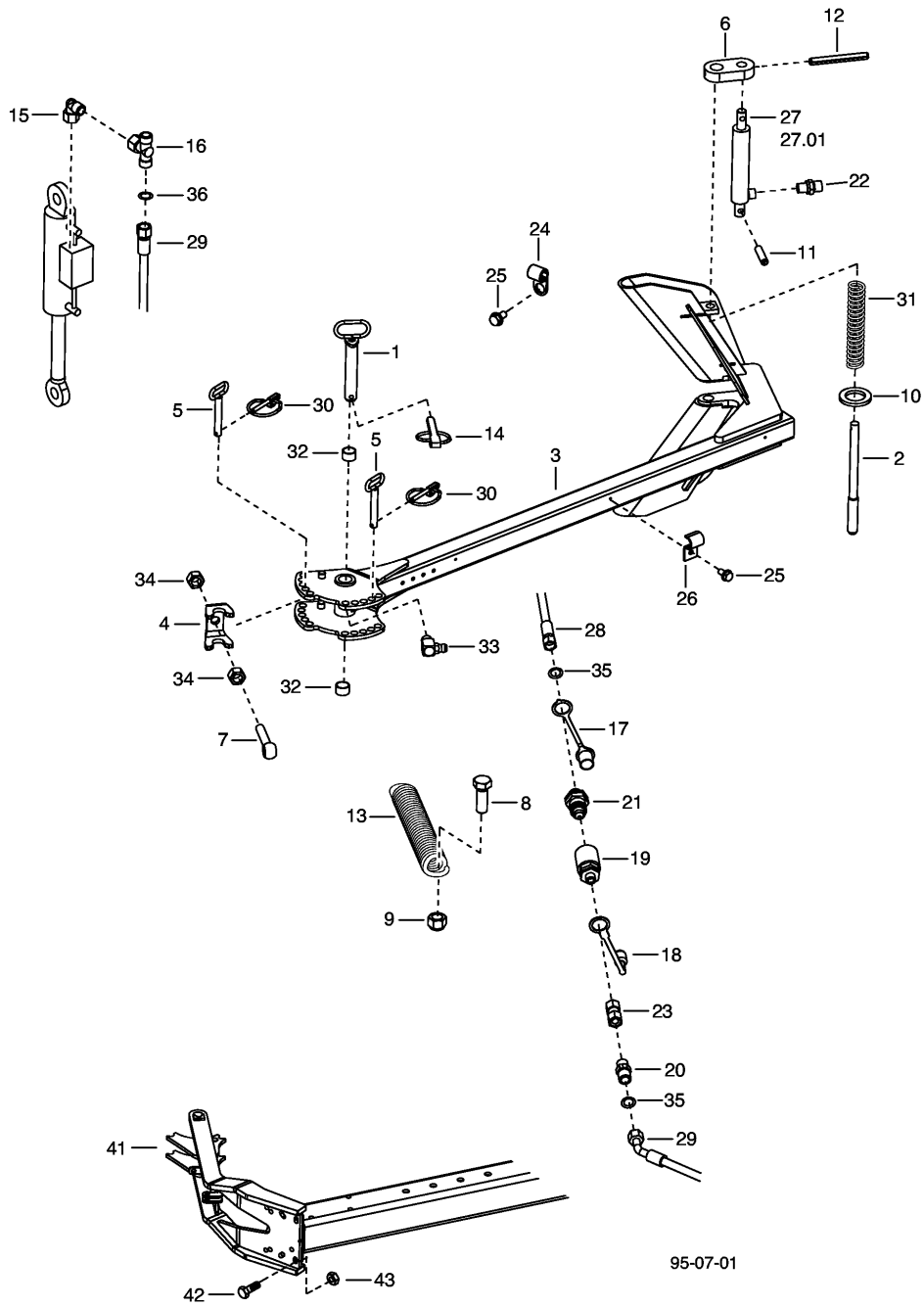
Table 350 - TRAN.TURN OVER WHEEL



## TRAN.TURN OVER WHEEL - Table 350

Pos	Part number	Qty	Description	Note	from No	to No
0.1	00+ 923.66.301.0	1	V-TPR Leitung S E 6-Schar.	V		
0.2	00+ 923.66.047.0	2	Circuit 6S	(11-13		
2	00+ 448.1.031	2	Straight connection GS 8L			
3	00+ 173.143	1	Roll pin 6x36 DIN 1481 ST GEOMET			
4	00+ 103.269	1	Bolt M 6x40 DIN 931 8.8 ZN			
5	00+ 983.37.012.0	1	Holder			
6	00+ 448.902	2	Clamping jaw 8- 8, ZWEI=			
7	00+ 496.106	1	SCHUTZROHR 40X2X 915 MM SCHLAGFESTES PV			
8	79+ 9001.59.40	2	SCHLAUCHTUELLE OFFEN			
9	00+9881.84.007.0	2	Rohrhalter			
11	00+ 265.503	2	Pipe St 35 NBK 8x1,5 DIN2391			
12	00+ 448.005	4	Union nut M 8L			
13	00+ 448.006	4	Cutting ring P-R 8L/S			

**Table 360 - SWIVEL ARM**

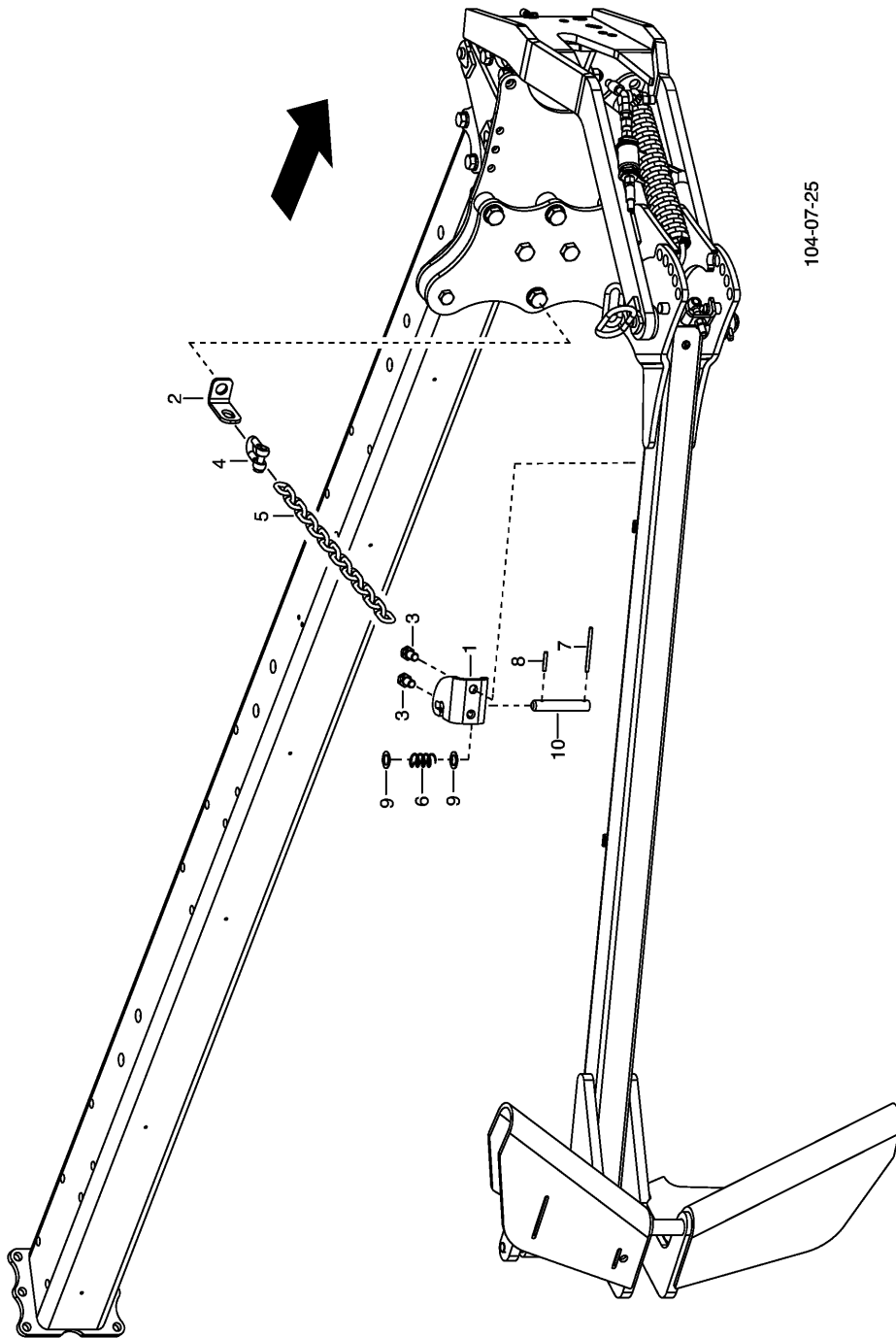


95-07-01



**SWIVEL ARM - Table 360**

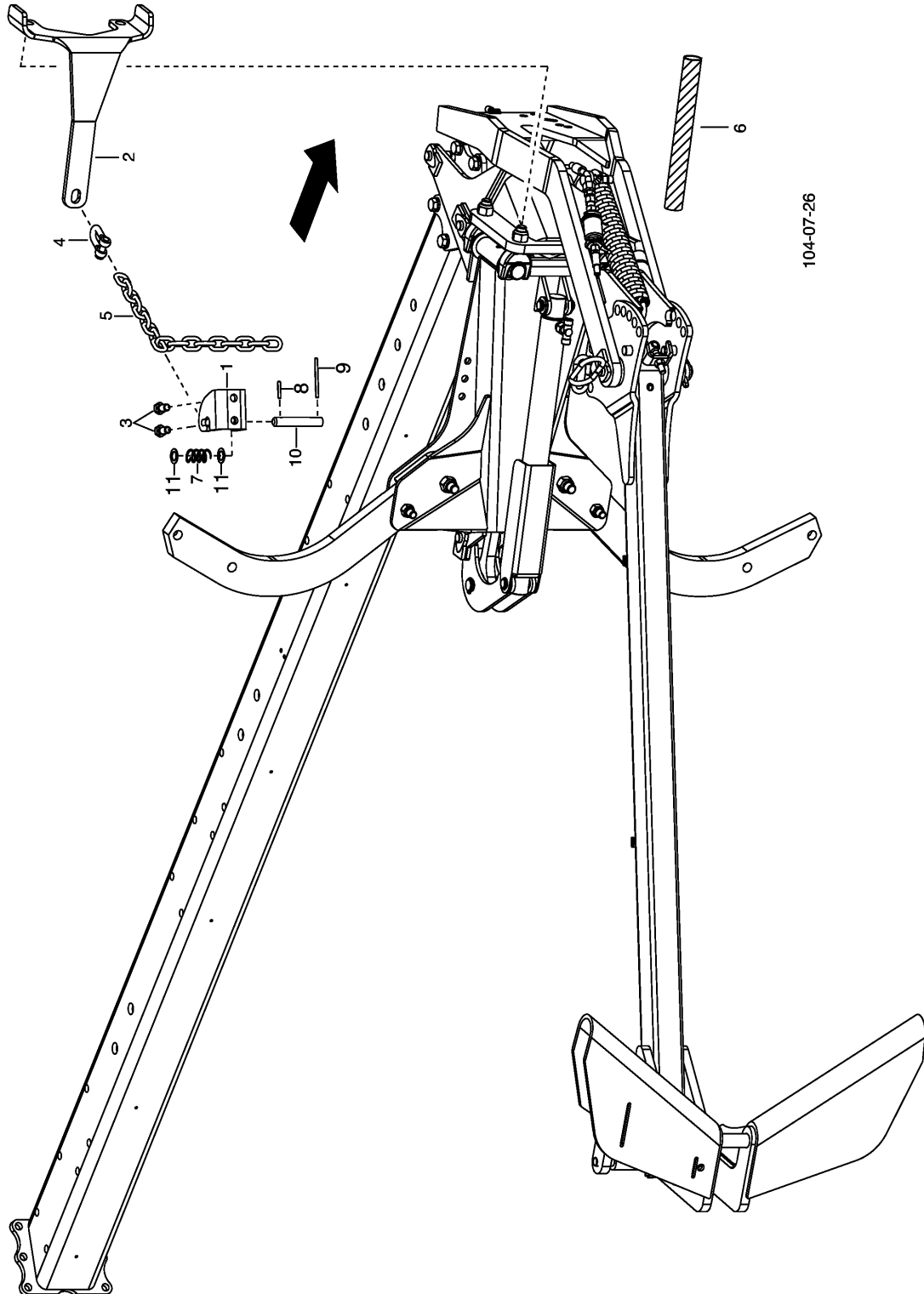
Pos	Part number	Qty	Description	Note	from No	to No
0.1	00+ 983.79.001.2	1	Furrow press extension arm hydr.	(1-34		
0.2	00+ 983.79.002.1	1	Bracket	(41-43		
1	00+ 983.79.275.0	1	Packerarmbolzen SZ			
2	00+ 983.79.031.1	1	Bolt			
3	00+ 983.79.050.0	1	Auslegerarm Sz.			
4	00+ 983.79.072.0	1	Spannblech			
5	00+ 983.79.063.0	2	Anschlagbolzen Sz.			
6	00+ 983.79.032.0	1	Limit stop			
7	00+ 107.161	1	Bolt M12x70 DIN 444 4.6 ZN			
8	00+ 103.130	1	Bolt M16x45 DIN 933 8.8 ZN			
9	00+ 122.110	1	Nut M16 DIN 980 8 ZN			
10	00+ 162.411	1	Disc 25,3/40x4,00 ISO 4759-3 ZN			
11	00+ 172.198	1	Roll pin 10x45 DIN 1481 ST			
12	00+ 172.207	1	Roll pin 10x90 DIN 1481 ST			
13	00+ 435.379	1	Tension spring 10,00/47x376			
14	00+ 438.055	1	Linch pin DIN11023			
15	00+ 448.020	1	Angled connector, adjustable P-EWS 12L-			
16	00+ 448.022	1	T connection, adjustable P-ETS 12L-SV			
17	00+ 448.052	1	Dust cover red			
18	00+ 448.054	1	Dust plug			
19	00+ 448.062	1	SVK socket TCH 616311 308			
20	00+ 448.073	1	Straight connection GS 12/10L			
21	00+ 448.085	1	Plug M14x1,5; 8L; Baugröße 3			
22	00+ 448.1.041	1	Straight screw-in connector GES 8LM			
23	00+ 448.1.283	1	Straight connection SNV 10L			
24	00+ 448.554	1	Clamp 12,7 NR. 900729-1			
25	00+ 118.005	4	Bolt M 6x12 DIN 7500 GEOMET			
26	00+ 448.705	3	Clamp BSN 13X20X2			
27	00+ 442.286	1	Hydraulic ram compression 30-25-100			
27.1	00+ 442.113	1	Sealkit for 442.102			
28	00+ 447.2.201	1	Hydraulic hose NW 6x2500	(35		
29	00+ 447.4.922	1	Hydraulic hose NW 8x1750 1SN-K	(36		
30	00+ 438.017	2	Linch pin 6x42 DIN11023			
31	00+ 435.212	1	Compression spring 5,00/32x230			
32	00+ 410.377	2	Sliding bush 35x40x25 SPRING STEEL			
33	00+ 191.012	1	Lubrication nipple C M 8X1 DIN71412 SFG			
34	00+ 120.161	2	Nut M12 DIN 934 8 ZN			
35	00+ 415.579	2	O ring 6,5 X 1,5			
36	00+ 415.578	2	O ring 9 X 1,5			
41	00+ 983.79.065.0	1	Befestigungsbuegel sz			
42	00+ 103.366	6	Bolt M16x60 DIN 931 8.8 ZN			
43	00+ 122.110	6	Nut M16 DIN 980 8 ZN			



104-07-25

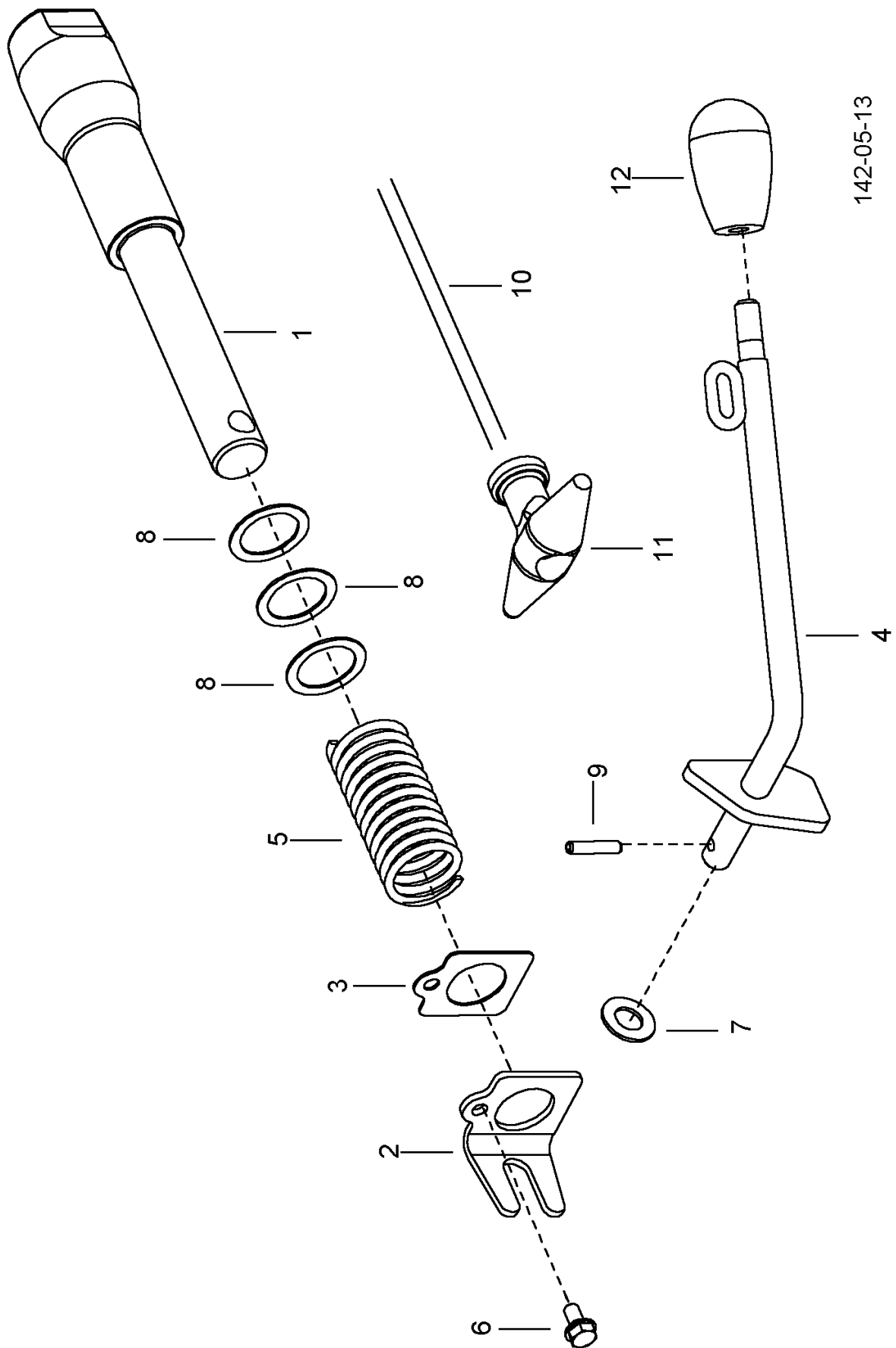
Pos	Part number	Qty	Description	Note	from No	to No
0.1	00+ 983.79.100.0	1	Attachment Plus	W		
1	00+ 983.79.074.0	1	Kettenspanner			
2	00+ 983.79.075.0	1	Kettenhalter			
3	00+ 103.085	2	Bolt M12x25 DIN 933 8.8 ZN			
4	00+ 430.908	1	Shackle A 063 DIN 82101 ZN			
5	00+ 464.157	1	Chain G8X32X15 DIN 5685 19 GLIEDER			
6	00+ 435.160	1	Compression spring 2,00/19x37 CR			
7	00+ 173.128	1	Roll pin 5x70 DIN 1481 ST GEOMET			
8	00+ 172.964	1	Roll pin 5x30 DIN 1481 ST GEOMET			
9	00+ 162.401	2	Disc 16,1/26x1,00 ISO 4759-3 ZN			
10	00+ 983.79.077.0	1	Pin			

Table 380 - BAR



Pos	Part number	Qty	Description	Note	from No	to No
0.1	00+ 983.79.110.0	1	Mounting Nova Plus f. swivel arm	W		
1	00+ 983.79.074.0	1	Kettenspanner			
2	00+ 983.79.076.0	1	Kettenhalter NOVA			
3	00+ 103.085	2	Bolt M12x25 DIN 933 8.8 ZN			
4	00+ 430.908	1	Shackle A 063 DIN 82101 ZN			
5	00+ 464.157	1	Chain G8X32X15 DIN 5685 19 GLIEDER			
6	00+ 447.936	1	Protective hose 45X1,1	0,5M		
7	00+ 435.160	1	Compression spring 2,00/19x37 CR			
8	00+ 172.964	1	Roll pin 5x30 DIN 1481 ST GEOMET			
9	00+ 173.128	1	Roll pin 5x70 DIN 1481 ST GEOMET			
10	00+ 983.79.077.0	1	Pin			
11	00+ 162.401	2	Disc 16,1/26x1,00 ISO 4759-3 ZN			

Table 390 - TRANSPORT FIXING

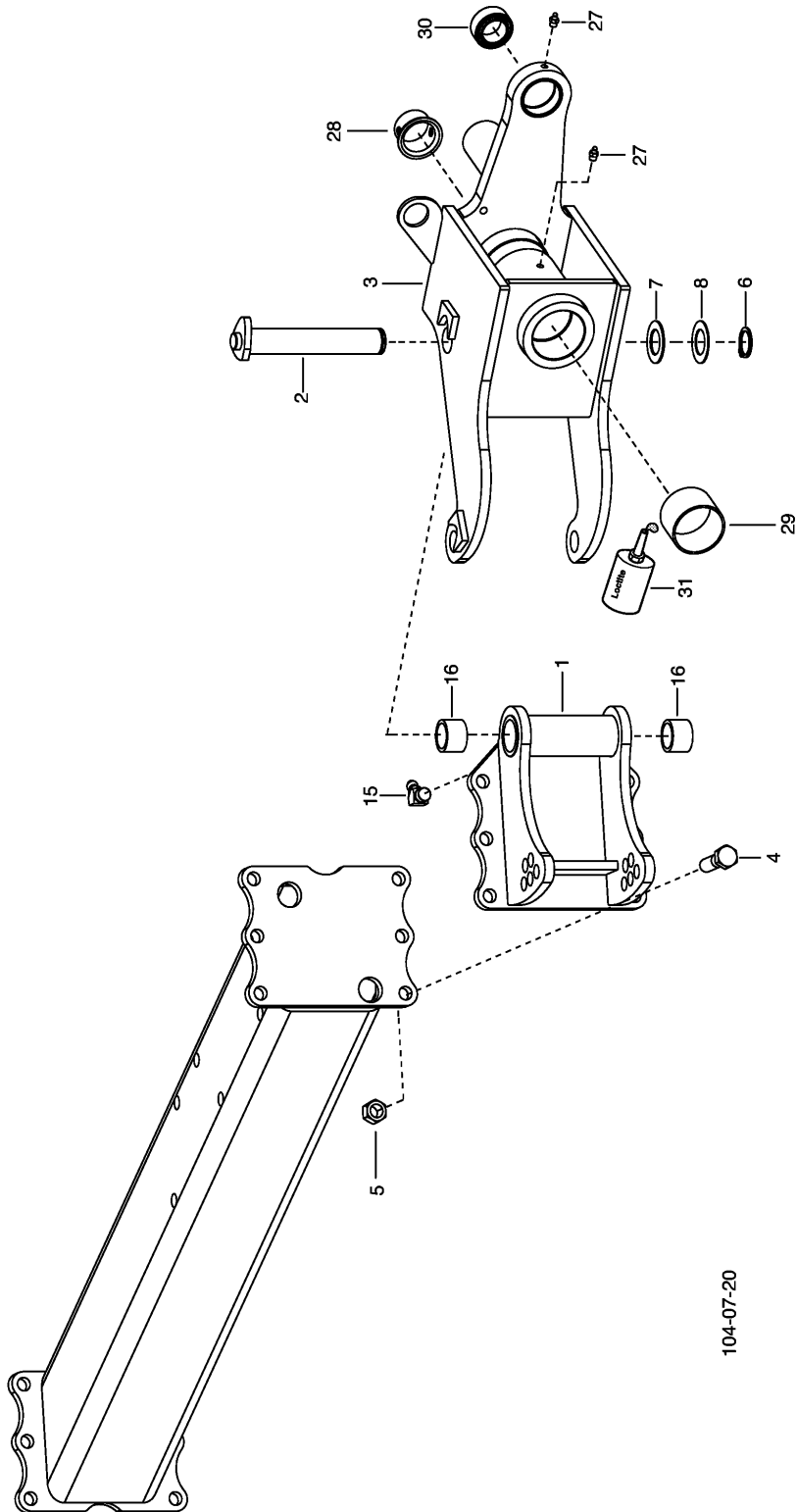


142-05-13

**TRANSPORT FIXING - Table 390**

Pos	Part number	Qty	Description	Note	from No	to No
0.1	00+ 959.60.070.0	1	Transport locking device			
1	00+ 959.60.071.0	1	Security unit			
2	00+ 983.60.072.0	1	Guide			
3	00+ 983.60.073.0	2	Support			
4	00+ 983.60.075.0	1	Eccentric			
5	00+ 1101049	1	Compression spring 3,60x 30,4x 145			
6	00+ 118.005	1	Bolt M 6x12 DIN 7500 GEOMET			
7	00+ 163.104	1	Disc 12,2/23x1,50 ISO 4759-3 ZN			
8	00+ 163.119	3	Disc 25,2/34x1,00 ISO 4759-3 ZN			
9	00+ 173.116	1	Roll pin 5x24 DIN 1481 ST			
10	00+ 430.144	1	Rope 6x3500 POLYÄTHYLEN			
11	00+ 490.951	1	Handle			
12	00+ 490.993	1	Gearshift knob GN 719-33-M10			

Table 400 - BRACKET



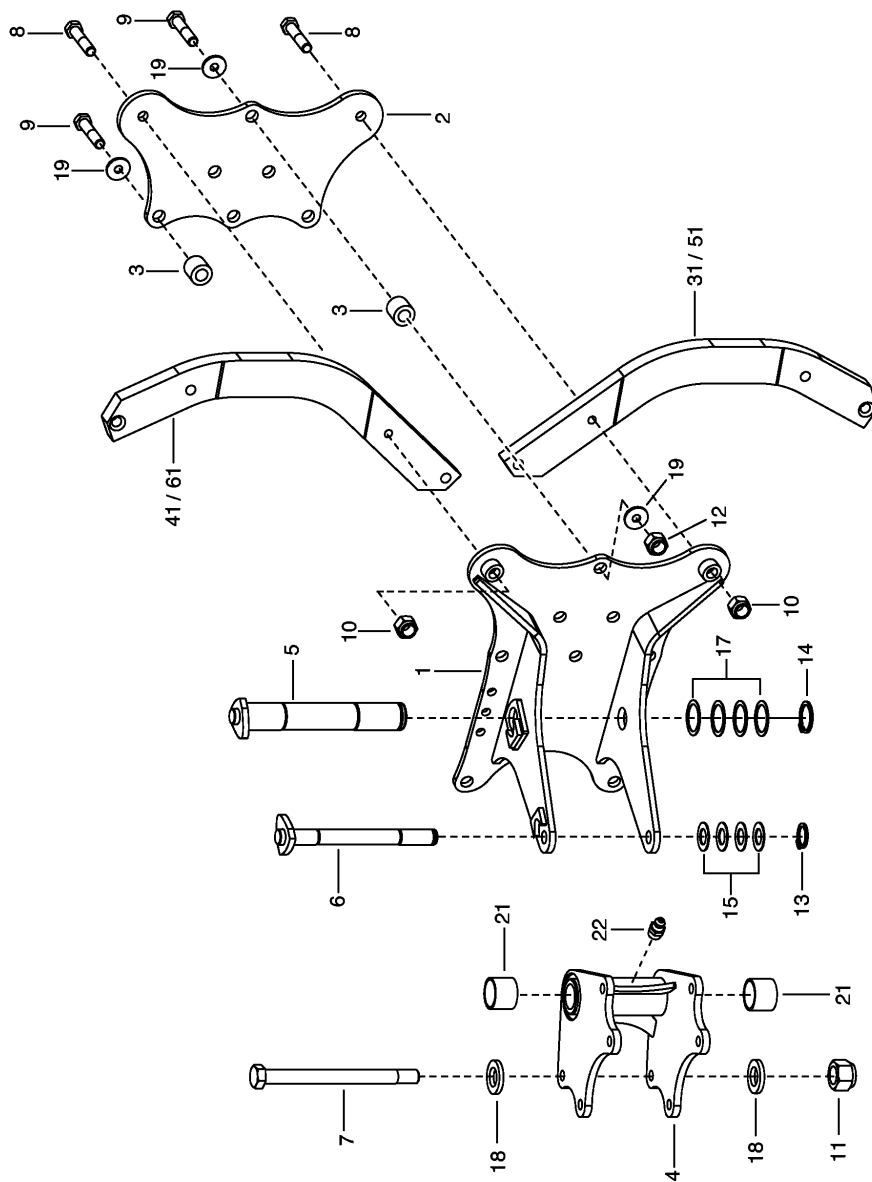
104-07-20



## BRACKET - Table 400

Pos	Part number	Qty	Description	Note	from No	to No
0.1	00+ 923.65.050.1	1	Konsole 45 S E Zus.	(1-8		
1	00+ 923.64.020.0	1	Console 45	(15,16		
2	00+ 923.64.025.0	1	Bolt 30x175			
3	00+ 923.65.010.1	1	Konsole 45 Elektronik SZ./Zus.	(27-30		
4	00+ 103.366	6	Bolt M16x60 DIN 931 8.8 ZN			
5	00+ 122.110	6	Nut M16 DIN 980 8 ZN			
6	00+ 157.822	1	Circlip 30x2 DIN 471 GEOMET			
7	00+ 163.105	1	Disc 30,2/50x2,00 ISO 4759-3 ZN			
8	00+ 163.109	1	Disc 30,2/50x1,50 ISO 4759-3 ZN			
15	00+ 191.007	1	Lubrication nipple B M 8x1 DIN71412 SFG			
16	00+ 410.370	2	Sliding bush 30x38x25 SPRING STEEL			
27	00+ 191.002	2	Lubrication nipple A M 8x1 DIN71412 SFG			
28	00+ 410.383	1	Sliding bush 70x80x45 SPRING STEEL			
29	00+ 410.229	1	Sliding bush 50x55x30 CUSN8			
30	00+ 407.062	1	Gelenklager GE 30 ES-2RS			
31	00+ 543.014	1	Loctite Euro-Lock			

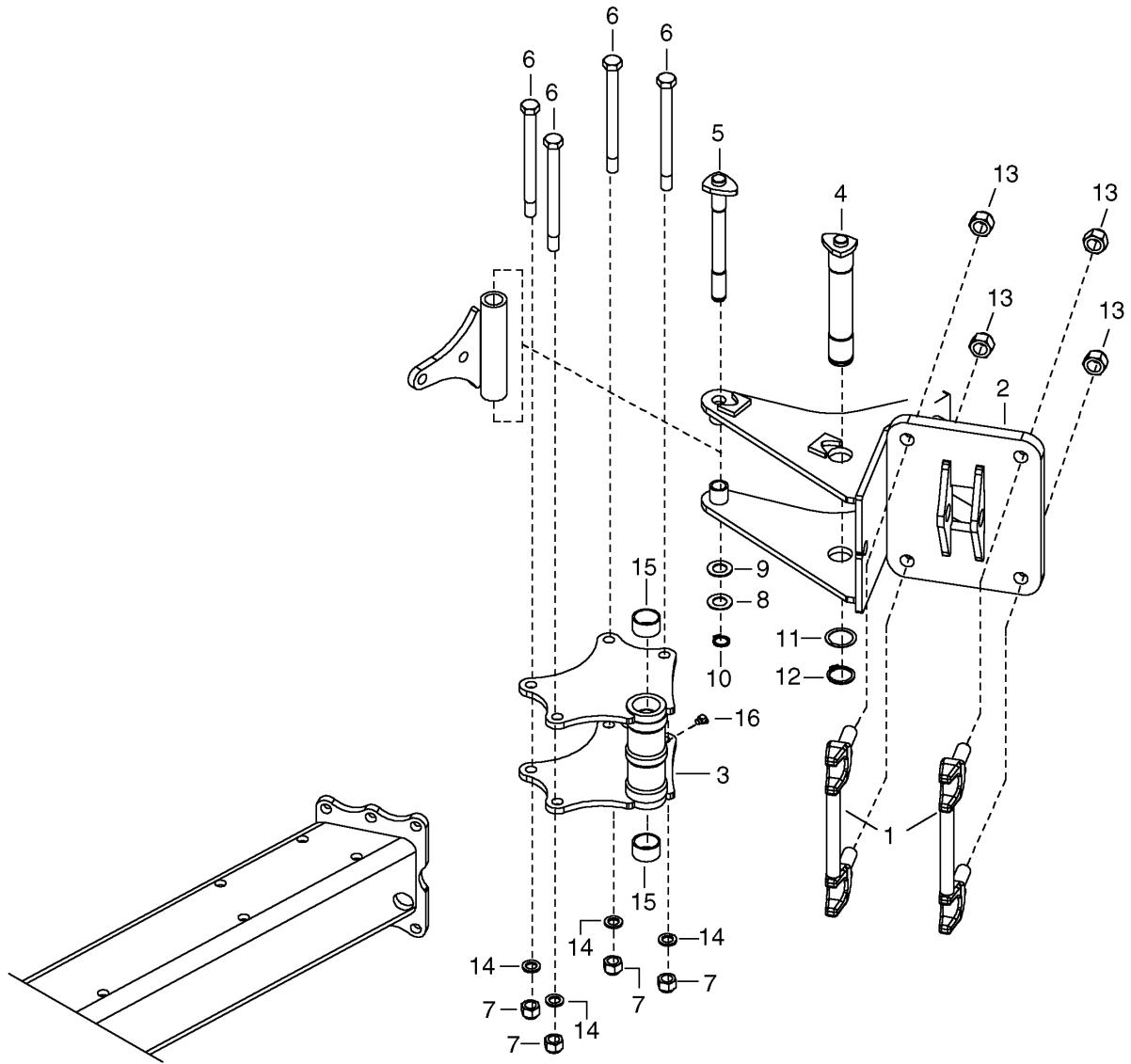
Table 410 - PEEL



104-07-24

Pos	Part number	Qty	Description	Note	from No	to No
0.1	00+ 983.26.001.2	1	Console 4 Plus			
1	00+ 983.26.005.3	1	Bracket			
2	00+ 983.26.010.4	1	Disc			
3	00+ 983.26.015.1	4	Tube			
4	00+ 983.26.025.1	1	Plate			
5	00+ 983.26.030.1	1	Bolt			
6	00+ 983.26.035.0	1	Bolt			
7	00+ 101.825	4	Bolt M16x1,50x195 Thread 27mm			
8	00+ 103.374	2	Bolt M16x100 DIN 931 8.8 ZN			
9	00+ 103.960	6	Bolt M20x1,5x95 DIN 960 10.9 GEOMET			
10	00+ 122.110	2	Nut M16 DIN 980 8 ZN			
11	00+ 122.218	4	Nut M16x1,5 DIN 980 10 GEOMET			
12	00+ 122.220	6	Nut M20x1,5 DIN 980 10 GEOMET			
13	00+ 157.817	1	Circlip 20x1,75 DIN 471 GEOMET			
14	00+ 157.825	1	Circlip 35x2,5 DIN 471 GEOMET			
15	00+ 163.132	4	Disc 20,5/30x1,50 ISO 4759-3 ZN			
17	00+ 162.434	4	Disc 35/45x1,00 ISO 4759-3 ZN			
18	00+ 166.847	8	Disc 17/30x4,00 DIN 6916 ZN			
19	00+ 166.848	8	Disc 21/37x4,00 DIN 6916 ZN			
21	00+ 410.374	2	Sliding bush 35x40x30 SPRING STEEL			
22	00+ 190.002	1	Lubrication nipple A M 8x1 DIN71412			
31	00+ 983.87.001.0	0	Body holder lhs Rh 80			
41	00+ 983.87.002.0	1	Body holder rhs. 45/80			
51	00+ 983.87.101.0	1	Body holder 45/90			
61	00+ 983.87.102.0	1	Body holder 45/90			

Table 420 - BUSHING

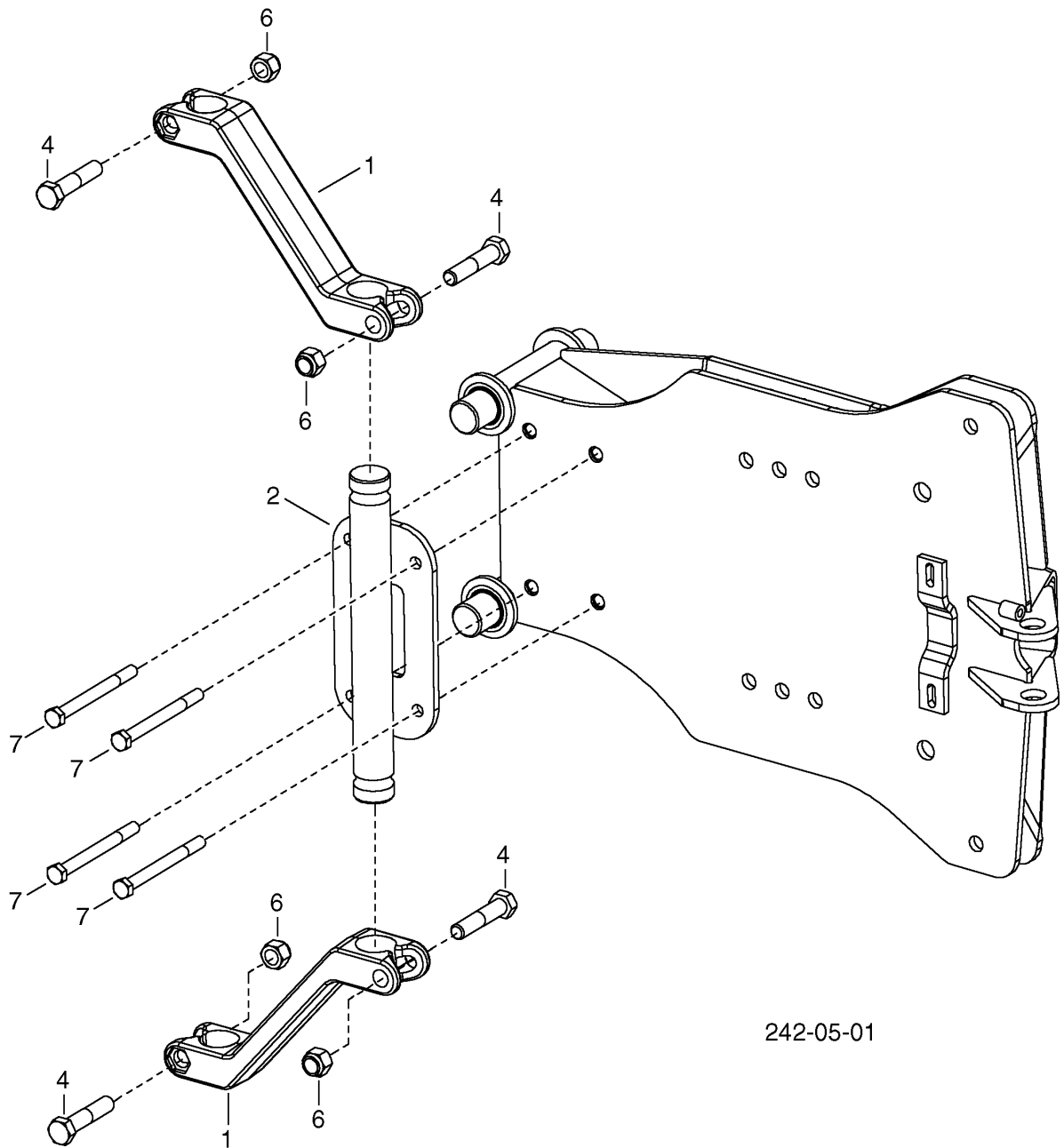


TD 41-00-1

## BUSHING - Table 420

Pos	Part number	Qty	Description	Note	from No	to No
0.1	00+ 984.26.001.1	1	Stone trough PLUS			
1	00+ 984.26.030.0	2	Bolt			
2	00+ 984.26.010.1	1	Stone trough PLUS S			
3	00+ 983.26.025.1	1	Plate	(15,16		
4	00+ 983.26.030.1	1	Bolt			
5	00+ 983.26.035.0	1	Bolt			
6	00+ 101.825	4	Bolt M16x1,50x195 Thread 27mm			
7	00+ 122.218	4	Nut M16x1,5 DIN 980 10 GEOMET			
8	00+ 162.509	1	Disc 20,5/36x1,50 ISO 4759-3 ZN			
9	00+ 162.417	1	Disc 20,5/36x2,00 ISO 4759-3 ZN			
10	00+ 157.817	1	Circlip 20x1,75 DIN 471 GEOMET			
11	00+ 162.434	2	Disc 35/45x1,00 ISO 4759-3 ZN			
12	00+ 157.825	1	Circlip 35x2,5 DIN 471 GEOMET			
13	00+ 122.112	4	Nut M20 DIN 980 8 ZN			
14	00+ 166.847	4	Disc 17/30x4,00 DIN 6916 ZN			
15	00+ 410.354	2	Sliding bush 35x40x22 SPRING STEEL			
16	00+ 190.002	1	Lubrication nipple A M 8x1 DIN71412			

Table 430 - DISC COULTER CONSOLE

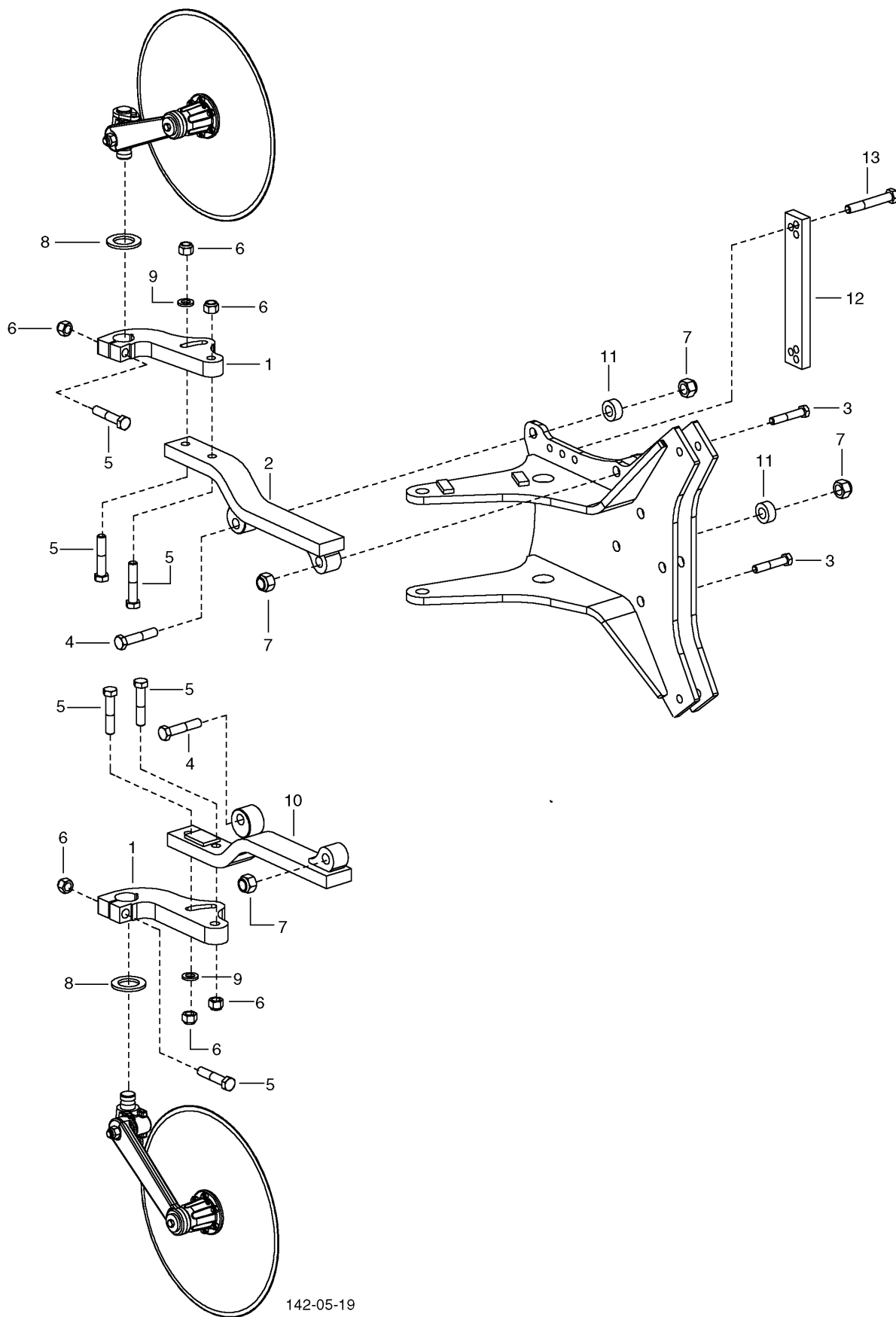


242-05-01

**DISC COULTER CONSOLE - Table 430**

Pos	Part number	Qty	Description	Note	from No	to No
0.1	00+ 918.06.550.0	1	CONSOLE FOR DISC COULTER			
1	00+ 918.06.025.0	2	Arm			
2	00+ 918.06.551.0	1	SS console			
4	00+ 103.919	4	Bolt M16x1,5x75 DIN 960 10.9 GEOMET			
6	00+ 122.218	4	Nut M16x1,5 DIN 980 10 GEOMET			
7	00+ 103.087	4	Bolt M12x35 DIN 933 8.8 ZN			

Table 440 - DISC COULTER CONSOLE



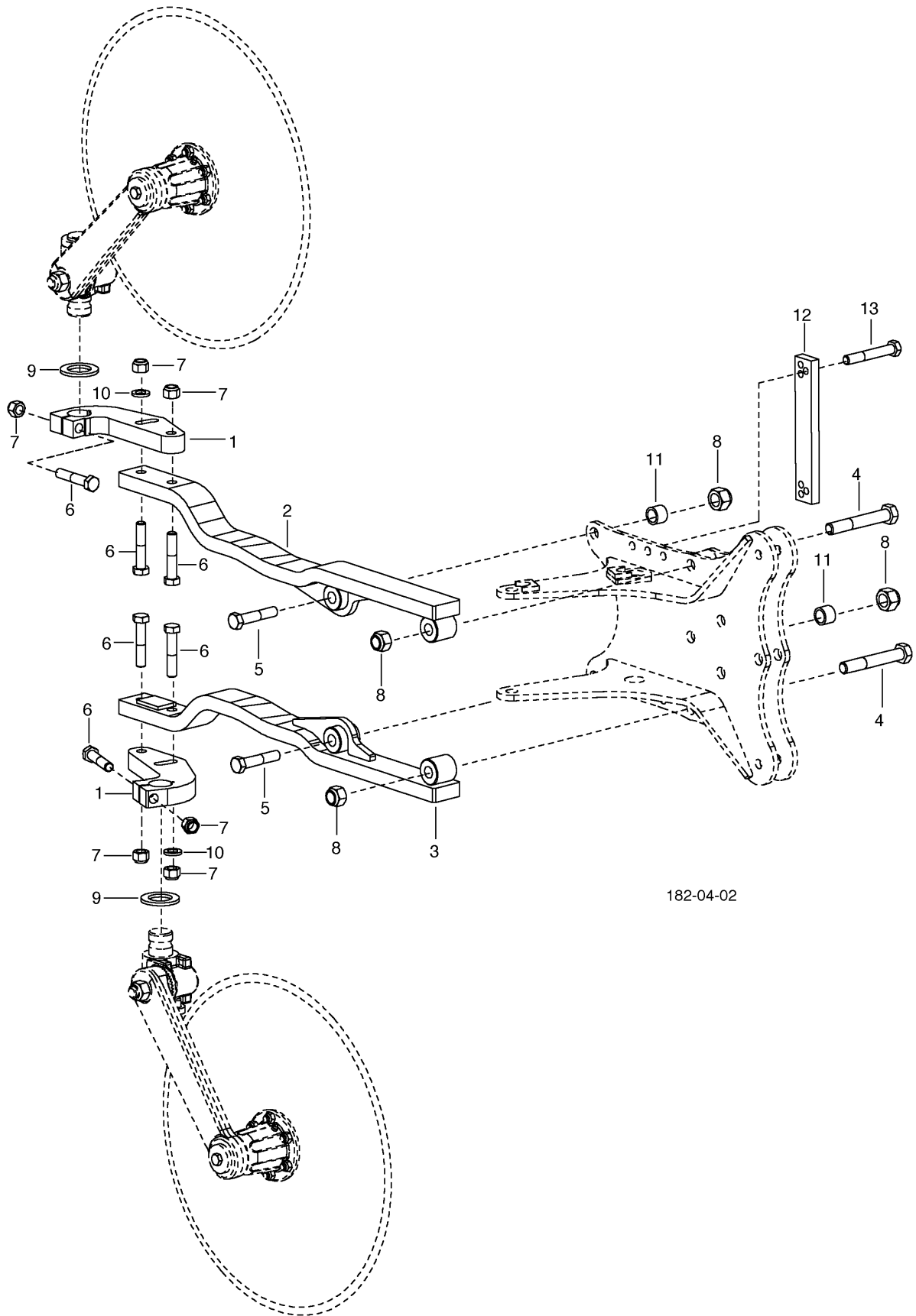
142-05-19



## DISC COULTER CONSOLE - Table 440

Pos	Part number	Qty	Description	Note	from No	to No
0.1	00+ 918.06.420.0	1	SS console			
1	00+ 918.06.401.1	2	Extension arm			
2	00+ 918.06.425.1	1	Retainer lhs.	L		
3	00+ 101.085	2	Bolt M20x1,5x130 DIN 960 10.9 GEOMET			
4	00+ 103.961	2	Bolt M20x1,5x100 DIN 960 10.9 GEOMET			
5	00+ 103.965	6	Bolt M16x1,5x80 DIN 931 10.9 GEOMET			
6	00+ 122.218	6	Nut M16x1,5 DIN 980 10 GEOMET			
7	00+ 122.220	4	Nut M20x1,5 DIN 980 10 GEOMET			
8	00+ 163.139	2	Disc 40,2/65x5,00 ISO 4759-3 ZN			
9	00+ 166.847	2	Disc 17/30x4,00 DIN 6916 ZN			
10	00+ 918.06.430.1	1	Retainer rhs.	R		
11	00+ 918.06.703.0	2	Tube			
12	00+ 921.93.005.0	1	Doubling			
13	00+ 103.348	2	Bolt M14x75 DIN 931 8.8 ZN			

Table 450 - DISC COULTER CONSOLE

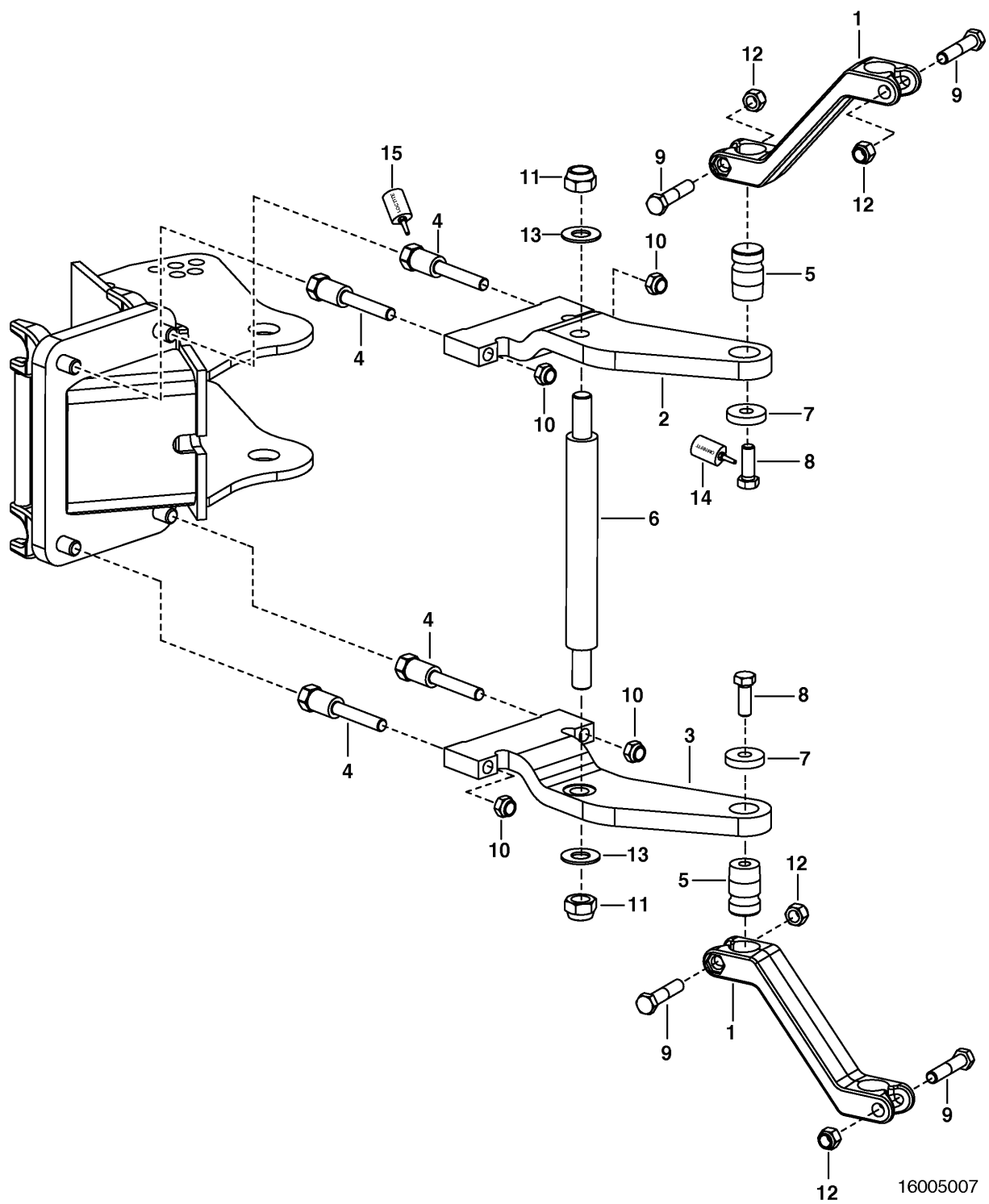


182-04-02

## DISC COULTER CONSOLE - Table 450

Pos	Part number	Qty	Description	Note	from No	to No
0.1	00+ 918.06.400.0	1	SS console			
1	00+ 918.06.401.1	2	Extension arm			
2	00+ 918.06.405.1	1	Retainer lhs.	L		
3	00+ 918.06.410.1	1	Retainer rhs.	R		
4	00+ 101.085	2	Bolt M20x1,5x130 DIN 960 10.9 GEOMET			
5	00+ 103.961	2	Bolt M20x1,5x100 DIN 960 10.9 GEOMET			
6	00+ 103.965	6	Bolt M16x1,5x80 DIN 931 10.9 GEOMET			
7	00+ 122.218	6	Nut M16x1,5 DIN 980 10 GEOMET			
8	00+ 122.220	4	Nut M20x1,5 DIN 980 10 GEOMET			
9	00+ 163.139	2	Disc 40,2/65x5,00 ISO 4759-3 ZN			
10	00+ 166.847	2	Disc 17/30x4,00 DIN 6916 ZN			
11	00+ 918.06.703.0	2	Tube			
12	00+ 921.93.005.0	1	Doubling			
13	00+ 103.348	2	Bolt M14x75 DIN 931 8.8 ZN			

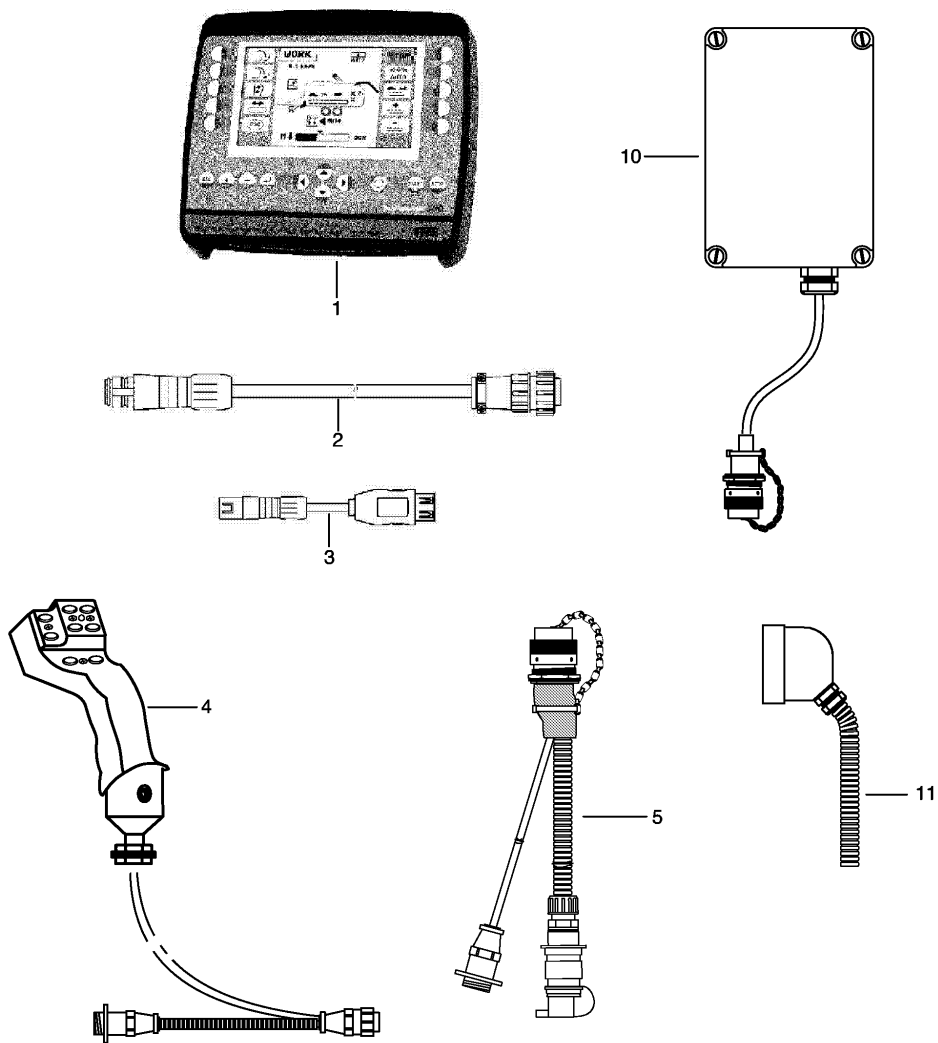
Table 460 - BRACKET



## BRACKET - Table 460

Pos	Part number	Qty	Description	Note	from No	to No
0.1	00+ 918.06.560.0	1	Disc coulter long support			
1	00+ 918.06.025.0	2	Arm			
2	00+ 918.06.561.1	1	Extension arm lhs.	L		
3	00+ 918.06.562.1	1	Extension arm rhs.	R		
4	00+ 918.06.563.1	4	Bolt			
5	00+ 918.06.565.0	2	Bolt			
6	00+ 918.06.564.0	1	Bolt			
7	00+ 923.64.476.0	2	Disc			
8	00+ 103.918	2	Bolt M16x1,5x45 DIN 961 10.9 GEOMET			
9	00+ 103.919	4	Bolt M16x1,5x75 DIN 960 10.9 GEOMET			
10	00+ 122.009	4	Nut M16 DIN 985 8 ZN			
11	00+ 122.013	2	Nut M24 DIN 985 8 ZN			
12	00+ 122.218	4	Nut M16x1,5 DIN 980 10 GEOMET			
13	00+ 162.757	2	Disc 24,2/50x3,00 ISO 4759-3 ZN			
14	00+ 543.004	0	Securing for bolts 250 ml	0,5 CCM		
15	00+ 543.014	0	Loctite Euro-Lock	1 CCM		

# Table 470 - SOFT TOUCH KEYBOARD

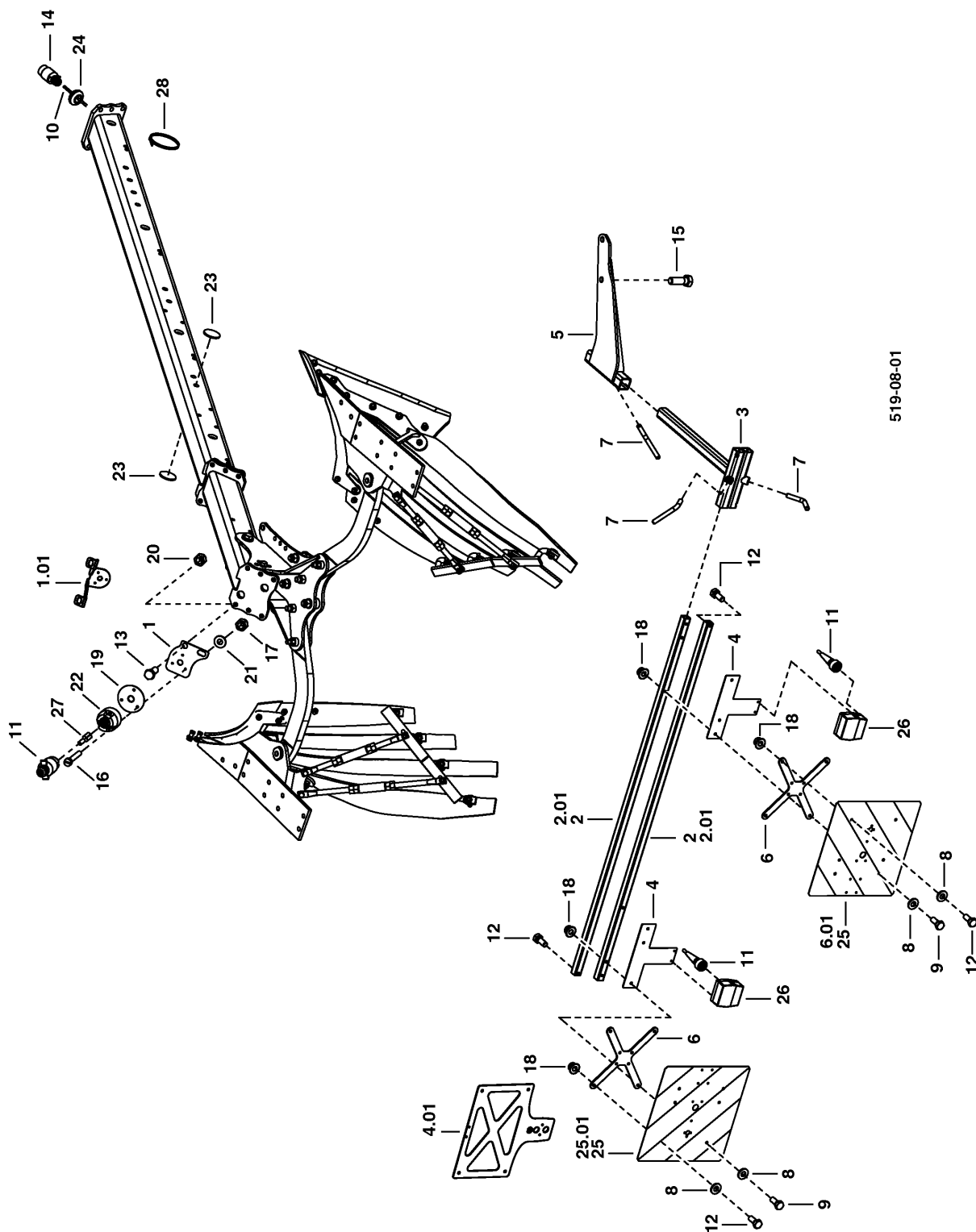


104-07-19

**SOFT TOUCH KEYBOARD - Table 470**

Pos	Part number	Qty	Description	Note	from No	to No
0.1	00+ 850.68.502.0	1	Bedienteil ISOBUS + MFG ZUS	W		
0.2	33+ 395A0000	1	Bedienteil ISO-Control	(1-3		
1	33+ 395A1000	1	Isobus Terminal fo 300			
2	33+ 395A5100	1	ISOBUS ADAPTERKABEL fo 300			
3	33+ 395A5400	1	USB Cable			
4	33+ 388B0000	1	ISOBUS Multifunktionsgriff 2			
5	33+ 356A4000	1	Cable			
10	33+ 406A2000.0	1	Jobrechner Pflug			
11	33+ 406A3000	1	Kabelbaum Variopflug			

Table 481 - LIGHTING SET TPR ZUS



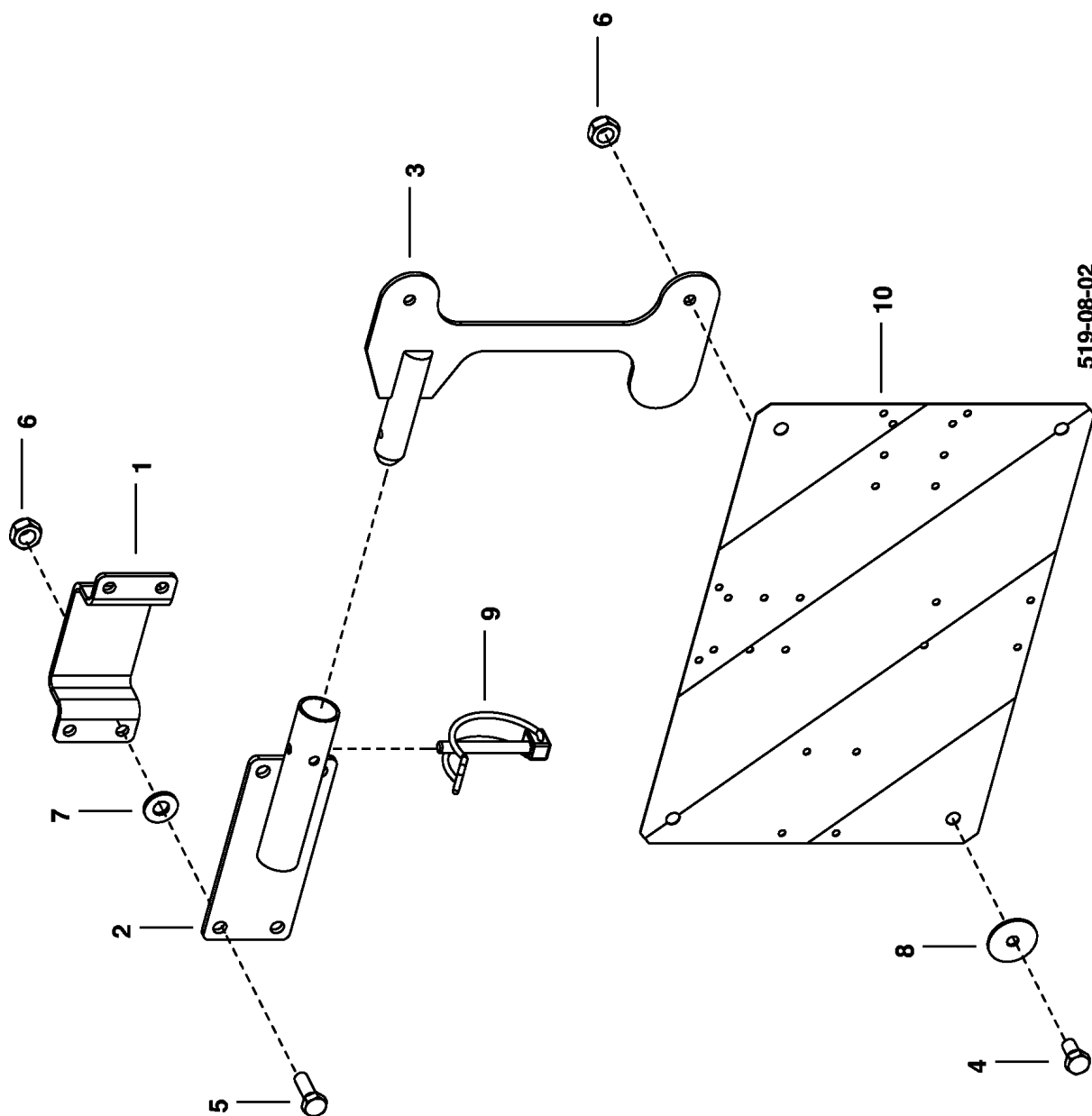
519-08-01



## LIGHTING SET TPR ZUS - Table 481

Pos	Part number	Qty	Description	Note	from No	to No
0.1	00+ 981.85.002.0	2	Lighting			
1	00+ 952.85.145.0	1	Flanschblech f. Stecker			
1.1	00+ 952.85.031.0	1	Halter für Stecker			
2	00+ 981.85.021.0	2	Contoured pipe			
2.1	00+ 981.85.021.1	2	Contoured pipe			
3	00+ 981.85.025.0	1	Contoured pipe			
4	00+ 981.85.026.0	2	Einstellblech			
4.1	00+ 981.85.035.0	2	Halter Beleuchtung			
5	00+ 981.85.030.0	1	Grundträger Sz.			
6	00+9752.85.216.0	2	Retainer			
6.1	00+ 470.040.003	1	Warning sign rhs. 423x282 mm			
7	00+ 200.14.014.0	3	Toggle			
8	00+ 162.407	10	Disc 8,5/18x2,00 DIN 134 ZN			
9	00+ 103.286	4	Bolt M 8x55 DIN 931 8.8 ZN			
10	00+ 477.126	1	Cable YMM 7 X 0,75	8 M		
11	00+ 476.238	1	Versorgungskabel Zus. L= 2200mm			
12	00+ 103.043	8	Bolt M 8x20 DIN 933 8.8 ZN			
13	00+ 103.129	2	Bolt M16x40 DIN 933 8.8 ZN			
14	00+ 474.105	1	Plug 12 V BEST.NR. 201018			
15	00+ 103.976	1	Bolt M20x1,5x60 DIN 961 10.9 GEOMET			
16	00+ 104.552	3	Bolt M 5x35 DIN 7985 4.8 ZN			
17	00+ 122.103	3	Nut M 5 DIN 980 8 ZN			
18	00+ 122.317	10	Nut M 8 DIN 6927 8 ZN			
19	00+ 474.007	1	Rubber seal NR. 035043			
20	00+ 122.110	2	Nut M16 DIN 980 8 ZN			
21	00+ 162.224	3	Disc 5,3/10x1,00 DIN 134 ZN			
22	00+ 474.006	1	Socket 12 V, EJV, 101097			
23	00+ 470.960	4	Reflector 60			
24	00+ 459.101	1	Suction holder 120mm			
25	00+ 470.037	2	Warning sign 423X423X0,8			
25.1	00+ 470.040.002	1	Warning sign lhs. 423x282 mm			
26	00+ 470.053	2	Rear light			
27	00+ 475.003	7	Flat connector sleeve 6,3 - 1 DIN 46245			
28	00+ 475.169	4	Cable clip 4,8x292; schwarz; PLT3S-M0			

Table 482 - LIGHTING SET FRANCE ZUS

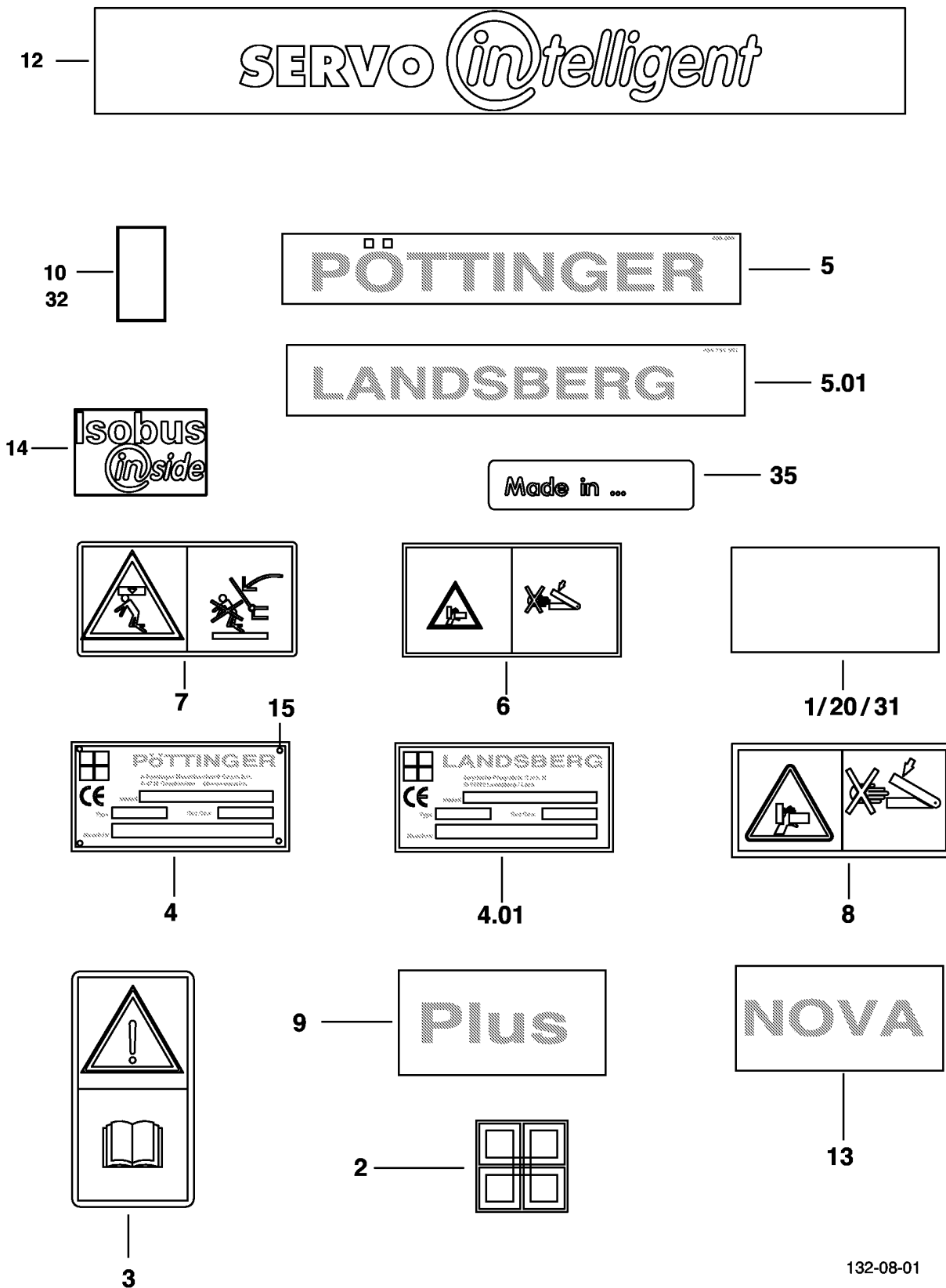


519-08-02

**LIGHTING SET FRANCE ZUS - Table 482**

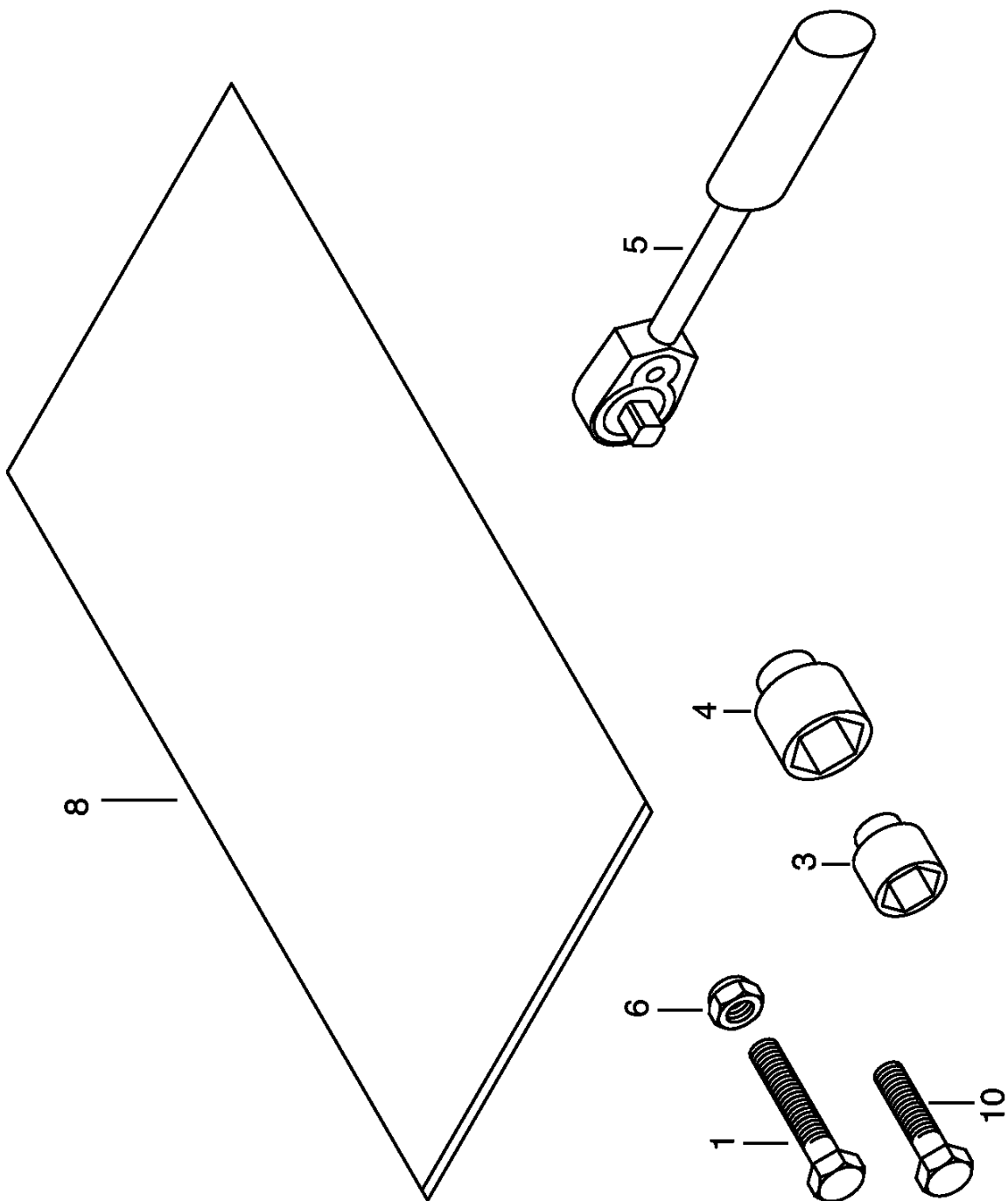
Pos	Part number	Qty	Description	Note	from No	to No
0.1	00+ 981.85.050.0	1	Additional warning signs for France			
1	00+ 981.85.041.0	2	Hoop			
2	00+ 981.85.045.0	2	Bracket			
3	00+ 981.85.046.0	2	Retainer			
4	00+ 103.041	4	Bolt M 8x16 DIN 933 8.8 ZN			
5	00+ 103.044	8	Bolt M 8x25 DIN 933 8.8 ZN			
6	00+ 122.106	12	Nut M 8 DIN 980 8 ZN			
7	00+ 162.407	8	Disc 8,5/18x2,00 DIN 134 ZN			
8	00+ 163.146	4	Disc 8,5/36x2,00 ISO 4759-3 ZN			
9	00+ 438.041	2	Safety pin 6x45 ZN			
10	00+ 470.040.001	2	Warning sign lh/rh 423x283			

SERVO 45 — 11



## NORMAL HITCH EQUIPM. - Table 490

Pos	Part number	Qty	Description	Note	from No	to No
0.1	00+ 983.90.101.0	1	Equipment Pöttinger SERVOintelligent			
0.2	00+ 983.90.031.0	1	Ausrüstung Frankreich SERVOint	(20)		
0.3	00+ 984.90.101.0	1	Equipment Pöttinger SERVOintelligent			
0.4	00+ 983.90.021.0	1	Ausrüstung Ukraine SERVOint	(31,32)		
0.5	00+2091.96.100.0	1	Ausrüstung "Made in Austria"	(35)		
1	00+ 1821986	1	AZB			
2	00+ 494.013	2	Decal "Cloverleaf" 70 x 70			
3	00+ 494.529	1	Sticker "Operating manual" 60x116 mm			
4	00+9881.90.901.0	1	Typenschild TYP I -DE-WRK0010-Standard			
4.1	00+ 494.041	1	Type plate "TYPENSCHILD"			
5	00+ 495.069	2	Sticker "PÖTTINGER" 50 mm			
5.1	00+ 494.795.001	1	Sticker "LANDSBERG" 50 mm			
6	00+ 495.154	2	Sticker "Squeeze"			
7	00+ 495.166	2	Decal "not within Swivel area..."			
8	00+ 495.171	10	Sticker "Squeeze....."			
9	00+ 495.508	2	Sticker "PLUS" 50 mm			
10	00+ 495.713	1	Sticker "product liability"			
11	00+ 495.982.0004	2	AZB "SERVO 45"			
12	00+ 495.993	1	AZB "SERVO INTELLIGENT"			
13	00+ 495.613	4	Sticker "NOVA" 185x60 mm			
14	00+ 495.483	2	Sticker "ISOBUS inside"			
15	00+ 179.123	2	Rivet 3,2x7,8			
20	00+ 495.623	1	AZB "SCHRAUBEN..."			
31	00+ 495.623.0002	1	AZB "SCHRAUBEN..."			
32	00+ 495.713.0001	1	AZB "Produkthaftung"			
35	00+ 494.286.0001	1	Sticker "Made in Austria"			

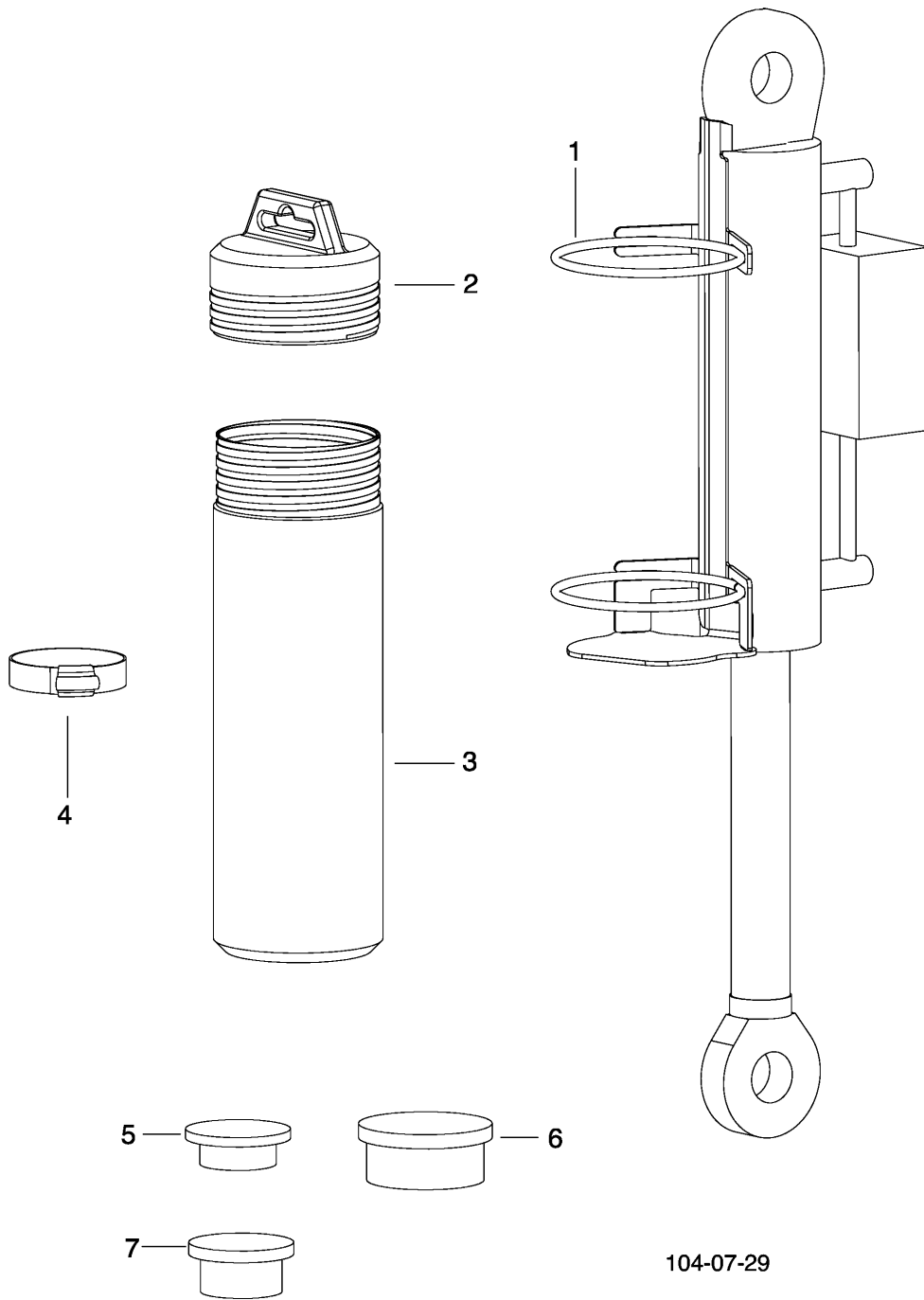


380-08-01

**ACCESSORY - Table 500**

Pos	Part number	Qty	Description	Note	from No	to No
0.1	00+ 983.95.001.0	1	Accessories	(1-8		
0.2	00+ 984.95.001.0	1	Accessories SERVO IV E NOVA	(2-10		
1	00+ 103.374	3	Bolt M16x100 DIN 931 8.8 ZN			
3	00+ 1900807	1	Socket for wrenches 1/2" SW 24			
4	00+ 1900808	1	Socket for wrenches 1/2" SW 30			
5	00+ 1900809	1	Ratchet 1/2"			
6	00+ 122.110	6	Nut M16 DIN 980 8 ZN			
8	00+ 497.521	1	Transparent plastic bag? 450x240x0,25			
10	00+ 103.370	3	Bolt M16x80 DIN 931 8.8 ZN			

Table 510 - TOOL MOUNTING PLATE

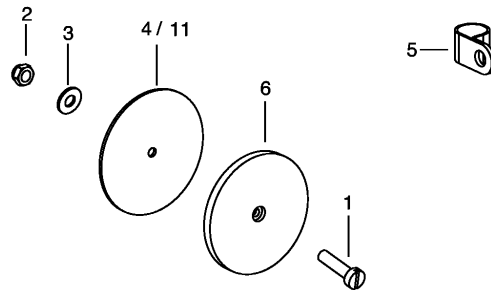




## TOOL MOUNTING PLATE - Table 510

Pos	Part number	Qty	Description	Note	from No	to No
0.1	00+ 983.95.100.0	1	Support for tools			
1	00+ 983.95.110.0	1	Tool carrier			
2	00+ 497.550.001	1	Two-section screw-together tube 105x055			
3	00+ 497.550.002	1	Two-section screw-together tube 105x300			
4	00+ 448.513	2	Hose clamp NR. 110 DIN 3017 ZN			
5	00+ 417.919	6	Plug GPN300 F 14			
6	00+ 417.930	2	Plug GPN300 F 23			
7	00+ 417.920	1	Plug GPN300 F 15			

# PÖTTINGER — 7

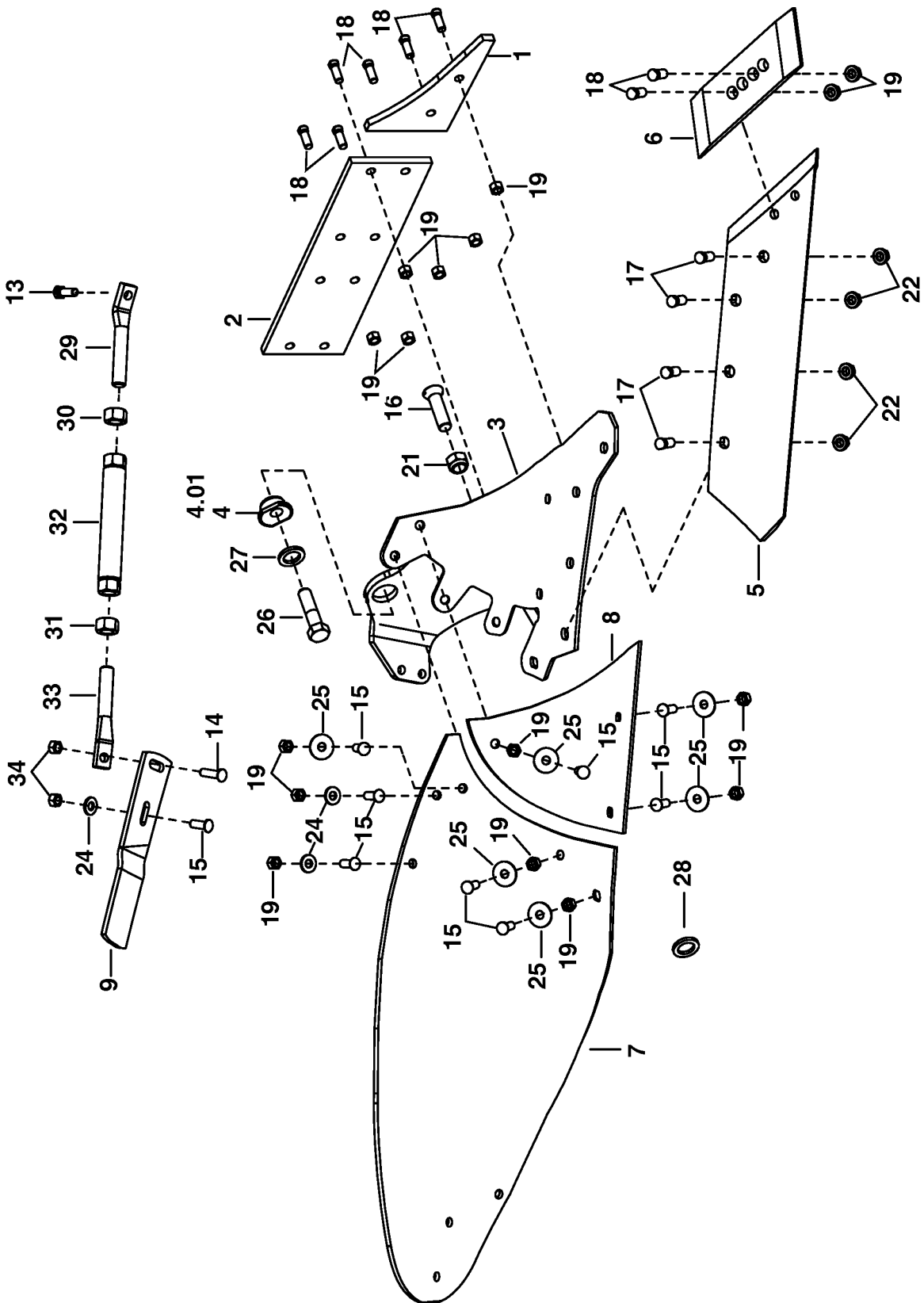


104-07-30

**EQUIPMENT, NORMAL - Table 520**

Pos	Part number	Qty	Description	Note	from No	to No
0.1	00+ 983.90.011.0	1	Ausrüstung Althaus SERVOint			
1	00+ 104.547	2	Bolt M 5x20 DIN 7985 4.8 ZN			
2	00+ 122.003	2	Nut M 5 DIN 985 8 ZN			
3	00+ 162.224	4	Disc 5,3/10x1,00 DIN 134 ZN			
4	00+ 162.634	2	Disc 6/83x2,00 ISO 4759-3			
5	00+ 448.558	2	Clamp 19,0 NR. 900729-4			
6	00+ 470.983.001	2	Reflector			
7	00+ 494.003	1	Sticker "PÖTTINGER" 25 mm			
8	00+ 495.014	1	Type plate "Althaus"			
9	00+ 495.077	1	AZB "Althaus"			
10	00+ 495.078	1	AZB "Althaus"			
11	00+ 162.442	2	Disc 6/83x2,00 ISO 4759-3 ZN			

Table 8090 - BODY 27 W RIGHT

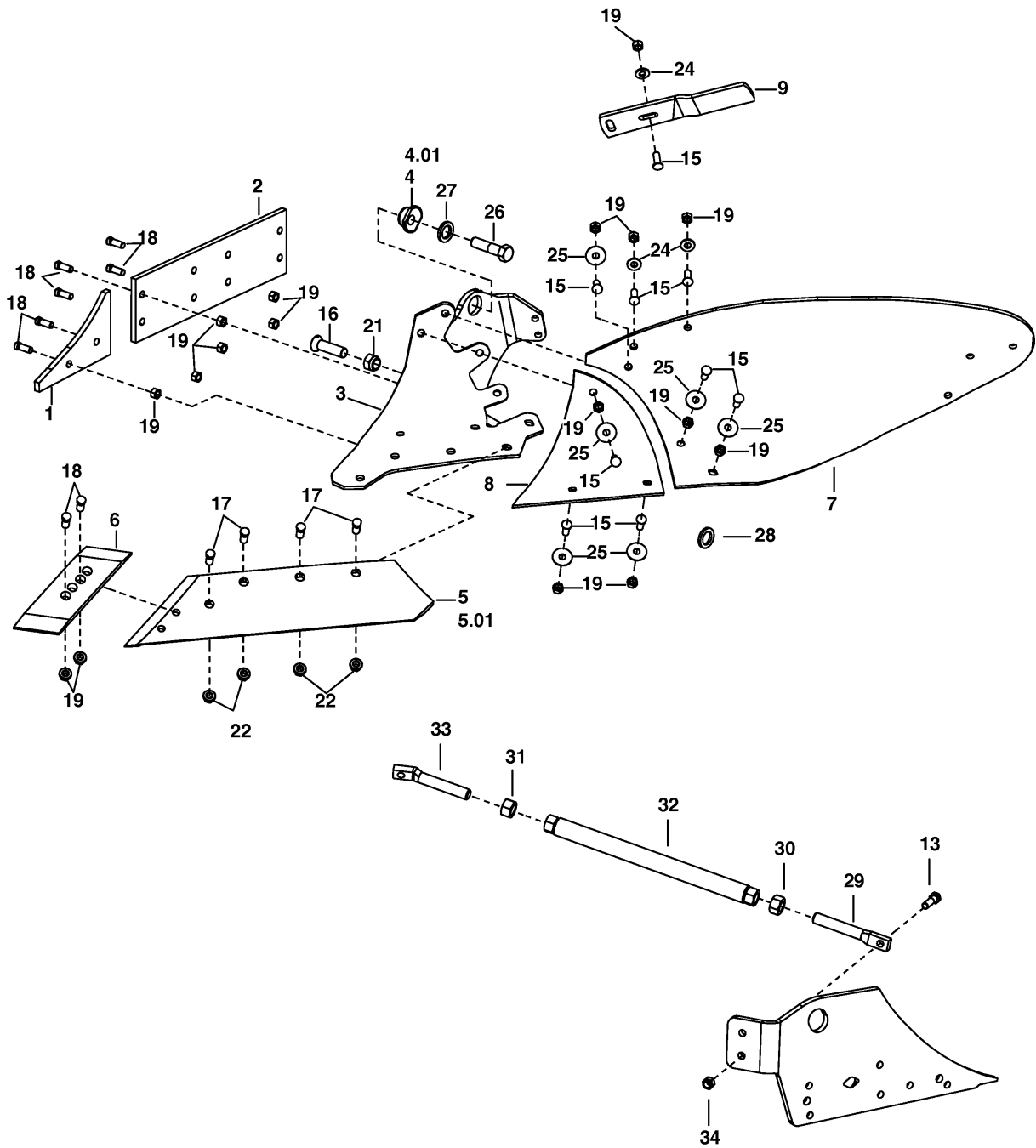


48612016

**BODY 27 W RIGHT - Table 8090**

Pos	Part number	Qty	Description	Note	from No	to No
0.1	00+ 930.76.201.0	1	Share right 27 W	R		
1	00+ 930.76.005.1	1	Landside point rhs. (27/46 W)	R		
2	00+ 929.10.010.1	1	Landside			
3	00+ 930.76.010.0	1	Body rhs. (46 W)	R		
4	00+ 930.82.118.0	1	Bush			
4.1	00+ 930.82.118.1	1	Bush			
5	00+ 930.76.221.0	1	Share rhs. 16" (27/46 W)	R		
6	00+ 930.76.127.0	1	Reversible point rhs (27/46 W) 5 holes	R		
7	00+ 930.76.230.0	1	Mouldboard 27W re.	R		
8	00+ 930.76.035.0	1	Cutting edge 27/46W	R		
9	67+ 053387	1	TAILPECE	R		
13	00+ 103.908	1	Bolt M12x45 DIN 931 10.9 GEOMET			
14	00+ 105.921	1	Bolt M12x45 DIN 11014 10.9			
15	00+ 105.922	9	Bolt M12x35 DIN 11014 10.9			
16	00+ 105.999	2	Bolt M20x1,5x75 DIN 604 10.9 ZN			
17	00+ 109.304	5	Share bolt M14x 33 10.9			
18	00+ 109.933	10	Cone bolt M12x 38 12.9			
19	00+ 120.161	16	Nut M12 DIN 934 8 ZN			
21	00+ 122.220	2	Nut M20x1,5 DIN 980 10 GEOMET			
22	00+ 127.053	5	Nut M14 10			
24	00+ 162.403	3	Disc 13/28x3,00 ISO 4759-3 ZN			
25	67+ 1601875	6	U-Scheibe Plastik 3mm			
26	00+ 103.926	1	Bolt M20x1,5x55 DIN 961 10.9 GEOMET			
27	00+ 165.416	3	Screw locking device M 20			
28	00+ 167.608	6	Disc 15/35x3,00 ISO 4759-3			
29	00+ 930.76.153.0	1	Eyebolt lhs. 4			
30	00+ 120.165	1	Nut M20 DIN 934 8 ZN			
31	00+ 128.111	1	Nut M20L DIN 934 8 ZN			
32	00+ 930.76.160.0	1	Threaded sleeve			
33	00+ 930.76.152.0	1	Eyebolt lhs. 3			
34	00+ 122.208	3	Nut M12 DIN 980 10 GEOMET			

Table 8096 - BODY 27 W LEFT

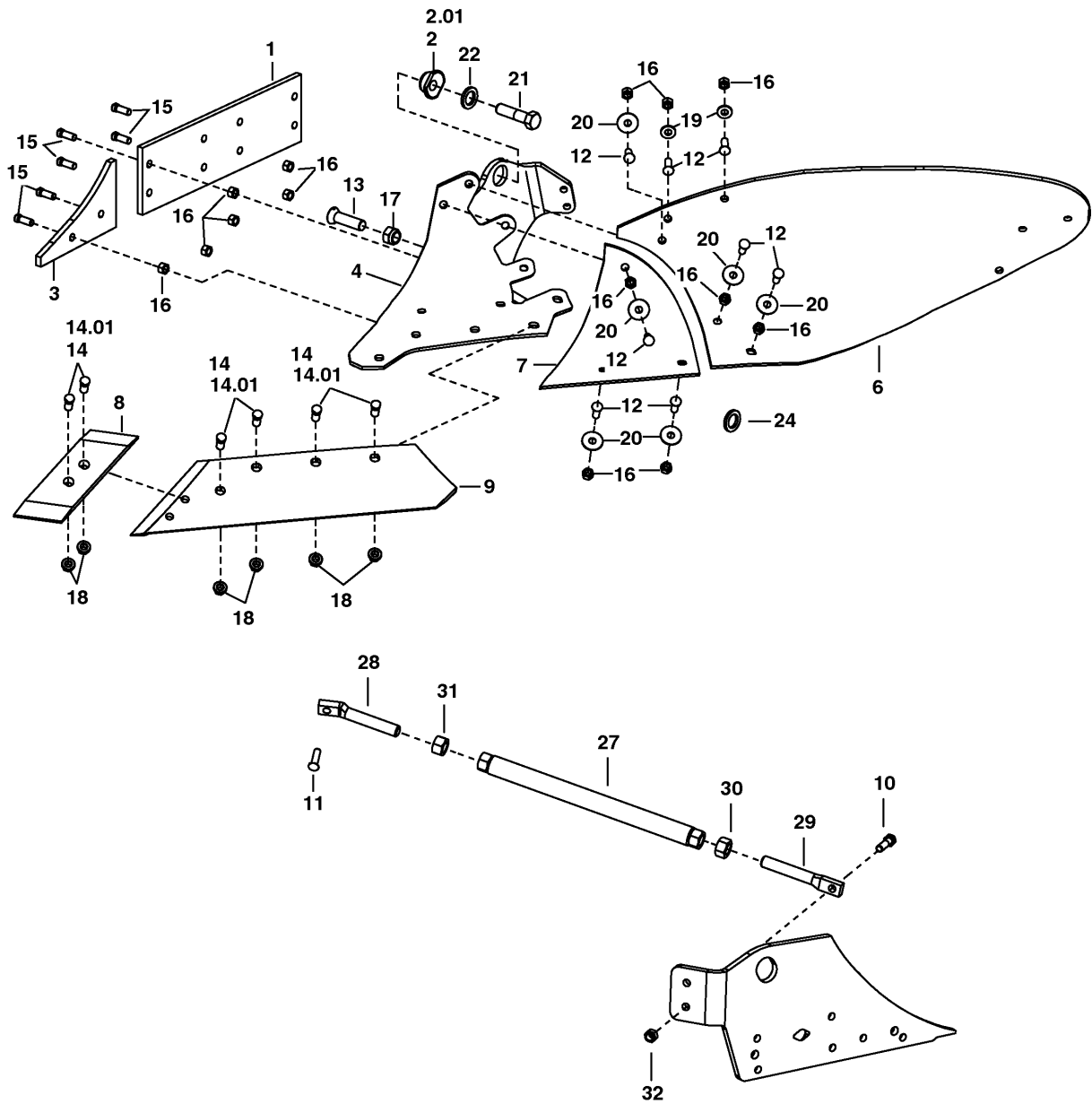


266-09-07

**BODY 27 W LEFT - Table 8096**

Pos	Part number	Qty	Description	Note	from No	to No
0.1	00+ 930.77.201.0	1	Share left 27 W	L		
1	00+ 930.77.005.1	1	Landside point lhs. (27/46 W)	L		
2	00+ 929.10.010.1	1	Landside			
3	00+ 930.77.010.0	1	Body lhs. (46 W)	L		
4	00+ 930.82.118.0	1	Bush			
4.1	00+ 930.82.118.1	1	Bush			
5	00+ 930.77.221.0	1	Share lhs. 16" (27/46 W)	L		
5.1	67+ 073055	1	Share lhs. 14" (27 W)			
6	00+ 930.77.127.0	1	Reversible point lhs (27/46 W) 5 holes	L		
7	00+ 930.77.230.0	1	Mouldboard 27W li.	L		
8	00+ 930.77.035.0	1	Cutting edge 27/46W	L		
9	67+ 063388	1	TAILPIECE	L		
13	00+ 103.908	1	Bolt M12x45 DIN 931 10.9 GEOMET			
14	00+ 105.921	1	Bolt M12x45 DIN 11014 10.9			
15	00+ 105.922	9	Bolt M12x35 DIN 11014 10.9			
16	00+ 105.999	2	Bolt M20x1,5x75 DIN 604 10.9 ZN			
17	00+ 109.304	5	Share bolt M14x 33 10.9			
18	00+ 109.933	10	Cone bolt M12x 38 12.9			
19	00+ 120.161	16	Nut M12 DIN 934 8 ZN			
21	00+ 122.220	2	Nut M20x1,5 DIN 980 10 GEOMET			
22	00+ 127.053	5	Nut M14 10			
24	00+ 162.403	3	Disc 13/28x3,00 ISO 4759-3 ZN			
25	67+ 1601874	6	U-Washer plastic 1mm PA6			
26	00+ 103.926	1	Bolt M20x1,5x55 DIN 961 10.9 GEOMET			
27	00+ 165.416	3	Screw locking device M 20			
28	00+ 167.608	6	Disc 15/35x3,00 ISO 4759-3			
29	00+ 930.76.153.0	1	Eyebolt lhs. 4			
30	00+ 120.165	1	Nut M20 DIN 934 8 ZN			
31	00+ 128.111	1	Nut M20L DIN 934 8 ZN			
32	00+ 930.76.160.0	1	Threaded sleeve			
33	00+ 930.76.152.0	1	Eyebolt lhs. 3			
34	00+ 122.208	3	Nut M12 DIN 980 10 GEOMET			

Table 8106 - BODY 27 W LEFT



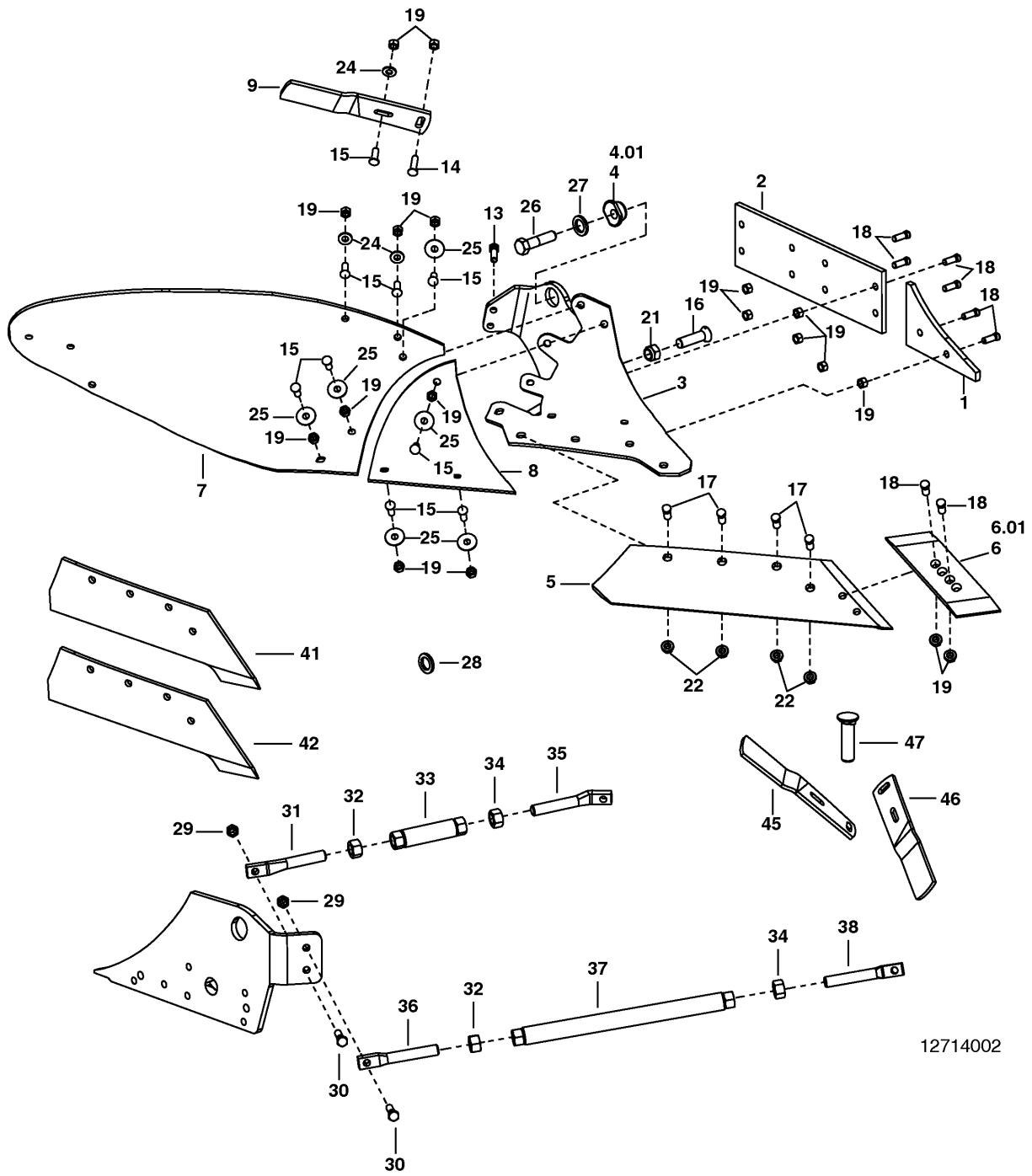
266-09-08



**BODY 27 W LEFT - Table 8106**

Pos	Part number	Qty	Description	Note	from No	to No
0.1	00+ 930.77.203.0	1	Share left 27 W 3L	L		
1	00+ 929.10.010.1	1	Landside			
2	00+ 930.82.118.0	1	Bush			
2.1	00+ 930.82.118.1	1	Bush			
3	00+ 930.77.005.1	1	Landside point lhs. (27/46 W)	L		
4	00+ 930.77.010.0	1	Body lhs. (46 W)	L		
6	00+ 930.77.233.0	1	Mouldboard lhs. (27W 3L)	L		
7	00+ 930.77.037.0	1	Cutting edge 46W li. 3-lagig	L		
8	00+ 930.77.127.0	1	Reversible point lhs (27/46 W) 5 holes	L		
9	00+ 930.77.221.0	1	Share lhs. 16" (27/46 W)	L		
10	00+ 103.908	1	Bolt M12x45 DIN 931 10.9 GEOMET			
11	00+ 105.921	1	Bolt M12x45 DIN 11014 10.9			
12	00+ 105.922	9	Bolt M12x35 DIN 11014 10.9			
13	00+ 105.999	2	Bolt M20x1,5x75 DIN 604 10.9 ZN			
14	00+ 109.304	5	Share bolt M14x 33 10.9			
14.1	00+ 109.305	5	Share bolt M14x 33 10.9			
15	00+ 109.933	10	Cone bolt M12x 38 12.9			
16	00+ 120.161	16	Nut M12 DIN 934 8 ZN			
17	00+ 122.220	2	Nut M20x1,5 DIN 980 10 GEOMET			
18	00+ 127.053	5	Nut M14 10			
19	00+ 162.403	3	Disc 13/28x3,00 ISO 4759-3 ZN			
20	67+ 1601874	6	U-Washer plastic 1mm PA6			
21	00+ 103.926	1	Bolt M20x1,5x55 DIN 961 10.9 GEOMET			
22	00+ 165.416	3	Screw locking device M 20			
24	00+ 167.608	3	Disc 15/35x3,00 ISO 4759-3			
27	00+ 930.76.160.0	1	Threaded sleeve			
28	00+ 930.76.152.0	1	Eyebolt lhs. 3			
29	00+ 930.76.153.0	1	Eyebolt lhs. 4			
30	00+ 120.165	1	Nut M20 DIN 934 8 ZN			
31	00+ 128.111	1	Nut M20L DIN 934 8 ZN			
32	00+ 122.208	3	Nut M12 DIN 980 10 GEOMET			

Table 8150 - BODY 46 W RIGHT

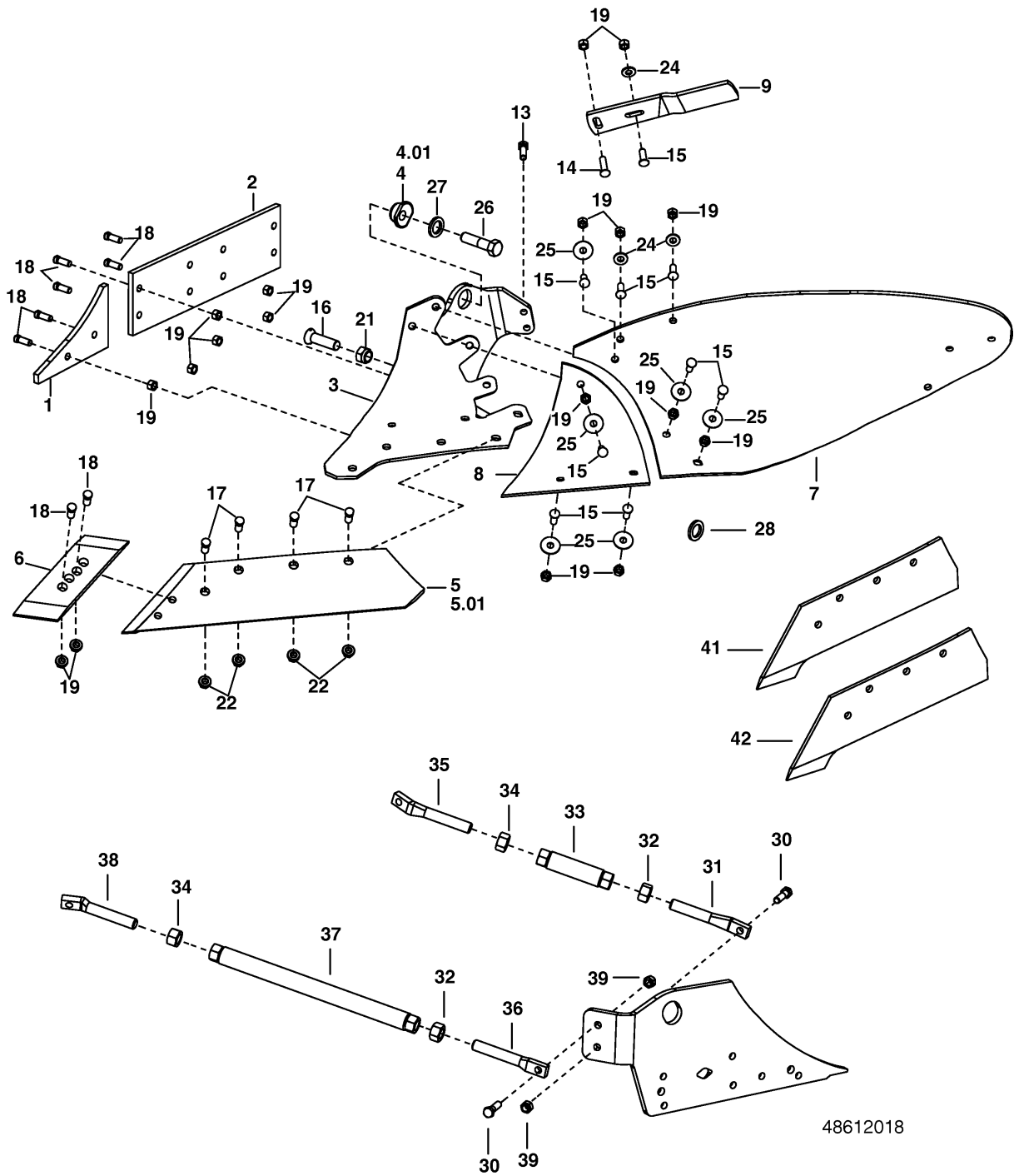


12714002

**BODY 46 W RIGHT - Table 8150**

Pos	Part number	Qty	Description	Note	from No	to No
0.1	00+ 930.76.101.0	1	Bodies 46 W right	(1-35 R		
0.2	00+ 930.76.120.0	1	Blade shares right 16" 27W, 46W	(41 R		
0.3	00+ 930.76.120.1	1	Schnabelschar re 16" 27W,46W aufgep.			
0.4	00+ 930.76.140.0	1	Paar Streichschiene W-Körper	(45-47		
1	00+ 930.76.005.1	1	Landside point rhs. (27/46 W)	R		
2	00+ 929.10.010.1	1	Landside			
3	00+ 930.76.010.0	1	Body rhs. (46 W)	R		
4	00+ 930.82.118.0	1	Bush			
4.1	00+ 930.82.118.1	1	Bush			
5	00+ 930.76.121.0	1	Share blade (46W) right 18" right	R		
6	67+ 53090F	1	Point rhs. (36/41W)	R		
6.1	00+ 930.76.127.0	1	Reversible point rhs (27/46 W) 5 holes			
7	00+ 930.76.030.0	1	Mouldboard 46W re.	R		
8	00+ 930.76.035.0	1	Cutting edge 27/46W	R		
9	67+ 53387	1	Tail-piece rhs.	R		
13	00+ 103.908	2	Bolt M12x45 DIN 931 10.9 GEOMET			
14	00+ 105.921	1	Bolt M12x45 DIN 11014 10.9			
15	00+ 105.922	9	Bolt M12x35 DIN 11014 10.9			
16	00+ 105.999	2	Bolt M20x1,5x75 DIN 604 10.9 ZN			
17	00+ 109.304	6	Share bolt M14x 33 10.9			
18	00+ 109.933	8	Cone bolt M12x 38 12.9			
19	00+ 120.161	15	Nut M12 DIN 934 8 ZN			
21	00+ 122.220	2	Nut M20x1,5 DIN 980 10 GEOMET			
22	00+ 127.053	6	Nut M14 10			
24	00+ 162.403	3	Disc 13/28x3,00 ISO 4759-3 ZN			
25	67+ 1601875	6	U-Scheibe Plastik 3mm			
26	00+ 103.926	1	Bolt M20x1,5x55 DIN 961 10.9 GEOMET			
27	00+ 165.416	3	Screw locking device M 20			
28	00+ 167.608	3	Disc 15/35x3,00 ISO 4759-3			
29	00+ 122.208	5	Nut M12 DIN 980 10 GEOMET			
30	00+ 103.908	1	Bolt M12x45 DIN 931 10.9 GEOMET			
31	00+ 930.76.151.0	1	Eyebolt 1			
32	00+ 120.165	1	Nut M20 DIN 934 8 ZN			
33	00+ 930.20.160.0	1	Threaded sleeve			
34	00+ 128.111	2	Nut M20L DIN 934 8 ZN			
35	00+ 930.76.154.0	1	Eyebolt lhs. 2	L		
36	00+ 930.76.153.0	1	Eyebolt lhs. 4			
37	00+ 930.76.160.0	1	Threaded sleeve			
38	00+ 930.76.152.0	1	Eyebolt lhs. 3			
41	67+ 9027388	1	Schnabelschar re. 16" (27/46W)	R		
42	00+ 930.76.122.0	1	Share rhs 16" DURASTAR (27W/46W)			
45	67+ 53387	1	Tail-piece rhs.	R		
46	67+ 63388	1	Tail-piece lhs.	L		
47	00+ 105.921	2	Bolt M12x45 DIN 11014 10.9			

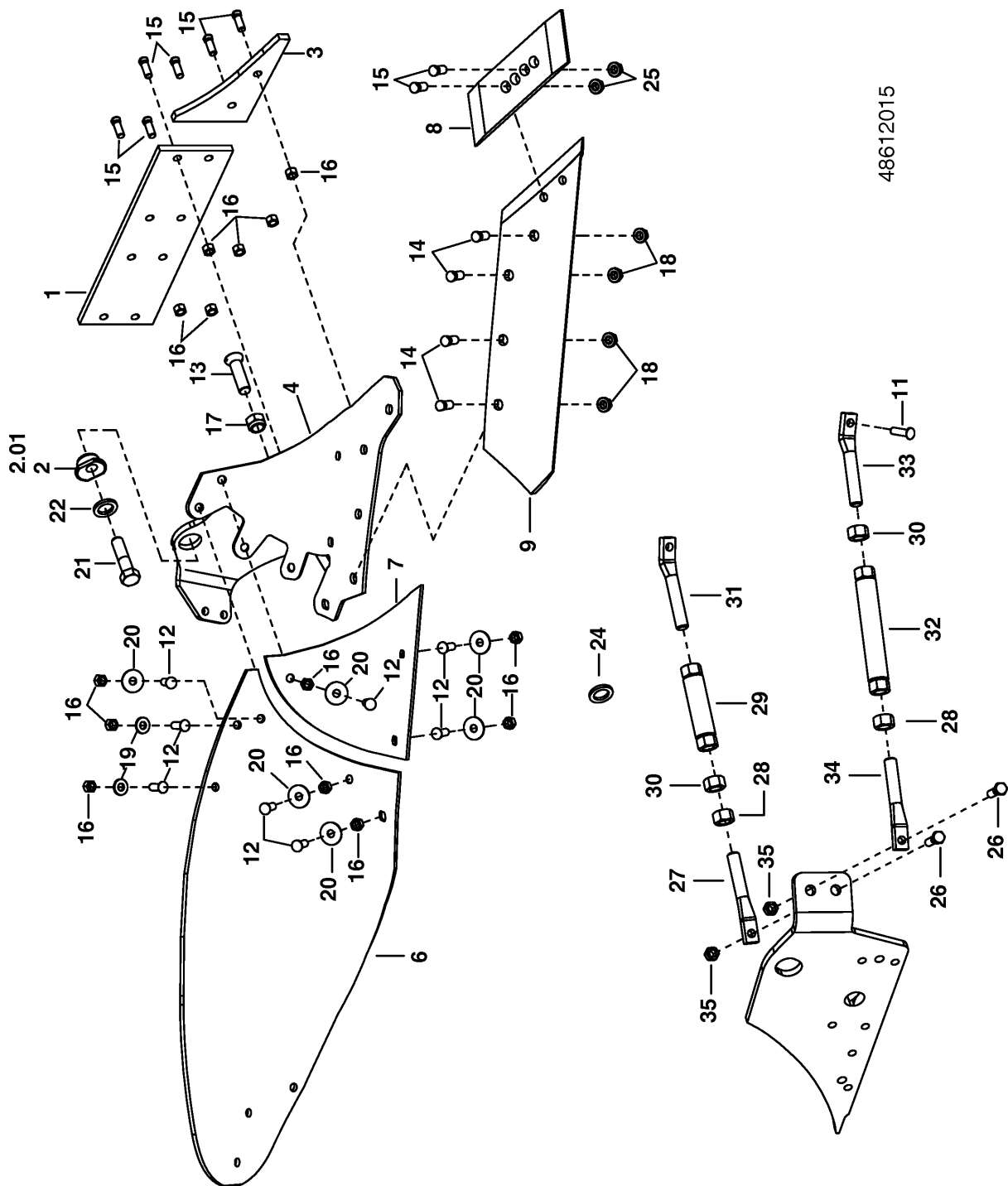
Table 8156 - BODY 46 W LEFT



**BODY 46 W LEFT - Table 8156**

Pos	Part number	Qty	Description	Note	from No	to No
0.1	00+ 930.77.101.0	1	Bodies 46 W left	(1-35 L		
0.2	00+ 930.77.120.0	1	Blade shares left 16" 27W, 46W	(41 L		
0.3	00+ 930.77.120.1	1	Schnabelschar li 16" 27W,46W aufgep.	(42 L		
1	00+ 930.77.005.1	1	Landside point lhs. (27/46 W)	L		
2	00+ 929.10.010.1	1	Landside			
3	00+ 930.77.010.0	1	Body lhs. (46 W)	L		
4	00+ 930.82.118.0	1	Bush			
4.1	00+ 930.82.118.1	1	Bush			
5	00+ 930.77.121.0	1	Share blade 46W left 18"	L		
5.1	67+ 073081.0001	1	Wechselspitzschar L 12MM 18" 46W			
6	00+ 930.77.127.0	1	Reversible point lhs (27/46 W) 5 holes	L		
7	00+ 930.77.030.0	1	Mouldboard lhs. (46 W)	L		
8	00+ 930.77.035.0	1	Cutting edge 27/46W	L		
9	67+ 063388	1	TAILPIECE	L		
14	00+ 105.921	1	Bolt M12x45 DIN 11014 10.9			
15	00+ 105.922	9	Bolt M12x35 DIN 11014 10.9			
16	00+ 105.999	2	Bolt M20x1,5x75 DIN 604 10.9 ZN			
17	00+ 109.304	5	Share bolt M14x 33 10.9			
18	00+ 109.933	10	Cone bolt M12x 38 12.9			
19	00+ 120.161	15	Nut M12 DIN 934 8 ZN			
21	00+ 122.220	2	Nut M20x1,5 DIN 980 10 GEOMET			
22	00+ 127.053	5	Nut M14 10			
24	00+ 162.403	3	Disc 13/28x3,00 ISO 4759-3 ZN			
25	67+ 1601875	6	U-Scheibe Plastik 3mm			
26	00+ 103.926	1	Bolt M20x1,5x55 DIN 961 10.9 GEOMET			
27	00+ 165.416	3	Screw locking device M 20			
28	00+ 167.608	6	Disc 15/35x3,00 ISO 4759-3			
30	00+ 103.908	2	Bolt M12x45 DIN 931 10.9 GEOMET			
31	00+ 930.76.151.0	1	Eyebolt 1			
32	00+ 120.165	2	Nut M20 DIN 934 8 ZN			
33	00+ 930.20.160.0	1	Threaded sleeve			
34	00+ 128.111	2	Nut M20L DIN 934 8 ZN			
35	00+ 930.76.154.0	1	Eyebolt lhs. 2	L		
36	00+ 930.76.153.0	1	Eyebolt lhs. 4			
37	00+ 930.76.160.0	1	Threaded sleeve			
38	00+ 930.76.152.0	1	Eyebolt lhs. 3			
39	00+ 122.208	5	Nut M12 DIN 980 10 GEOMET			
41	67+ 9027389	1	Schnabelschar li. 16" (27/46W)	L		
42	00+ 930.77.122.0	1	Share lhs 16" DURASTAR (27W/46W)	L		

Table 8160 - BODY 46 W RIGHT

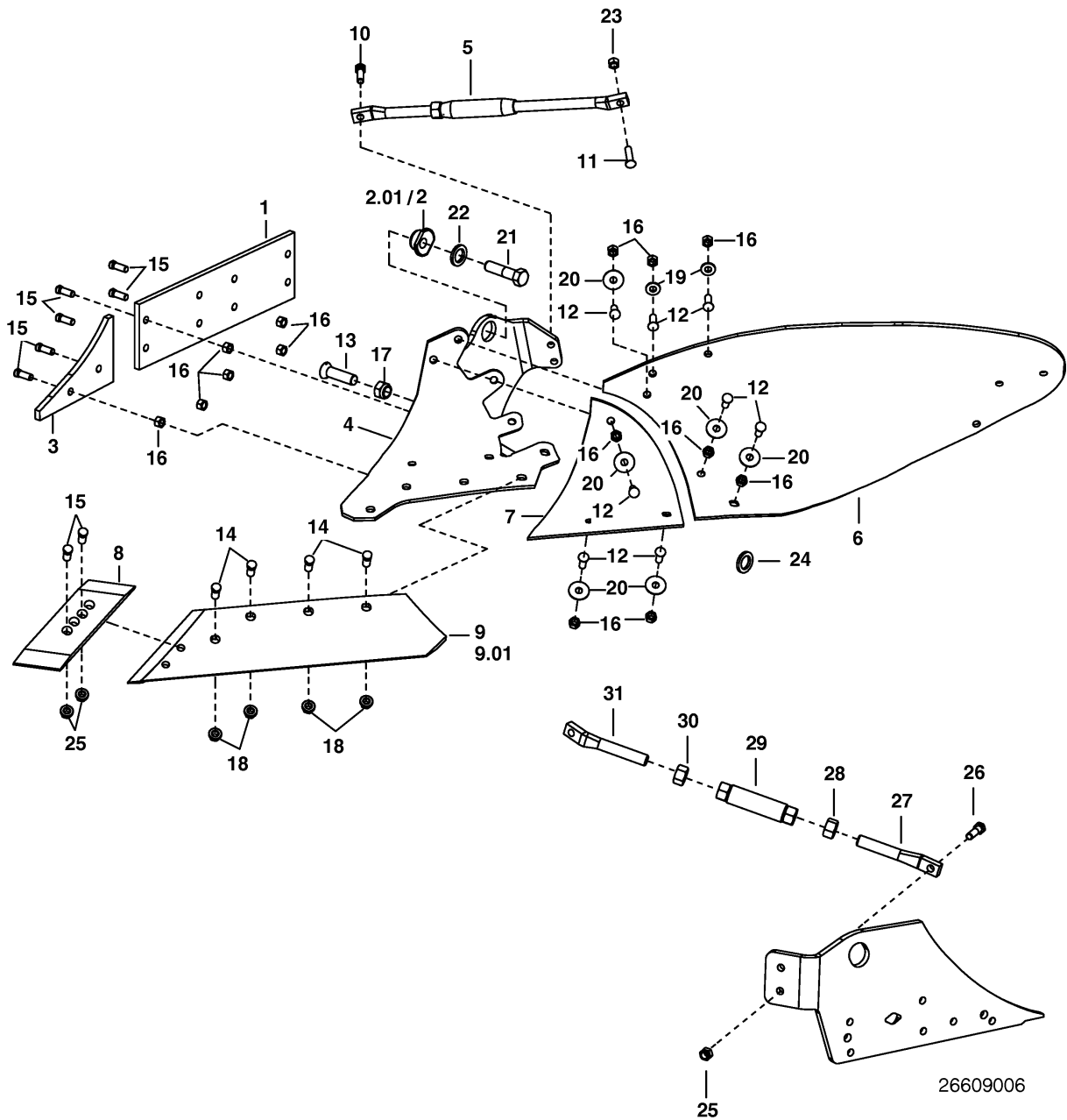


48612015

**BODY 46 W RIGHT - Table 8160**

Pos	Part number	Qty	Description	Note	from No	to No
0.1	00+ 930.76.103.0	1	Share right 46 W 3L (BACK SHED)	(1-31 R		
1	00+ 929.10.010.1	1	Landside			
2	00+ 930.82.118.0	1	Bush			
2.1	00+ 930.82.118.1	1	Bush			
3	00+ 930.76.005.1	1	Landside point rhs. (27/46 W)	R		
4	00+ 930.76.010.0	1	Body rhs. (46 W)	R		
6	00+ 930.76.033.0	1	Mouldboard rhs. (46W 3L)	R		
7	00+ 930.76.037.0	1	Cutting edge 46W re. 3-lagig	R		
8	00+ 930.76.127.0	1	Reversible point rhs (27/46 W) 5 holes	R		
9	67+ 073080	1	Share blade 46W right 18"	R		
11	00+ 105.921	1	Bolt M12x45 DIN 11014 10.9			
12	00+ 105.922	9	Bolt M12x35 DIN 11014 10.9			
13	00+ 105.999	2	Bolt M20x1,5x75 DIN 604 10.9 ZN			
14	00+ 109.304	5	Share bolt M14x 33 10.9			
15	00+ 109.933	10	Cone bolt M12x 38 12.9			
16	00+ 120.161	15	Nut M12 DIN 934 8 ZN			
17	00+ 122.220	2	Nut M20x1,5 DIN 980 10 GEOMET			
18	00+ 127.053	5	Nut M14 10			
19	00+ 162.403	3	Disc 13/28x3,00 ISO 4759-3 ZN			
20	67+ 1601869	6	Disc 3 mm PA6			
21	00+ 103.926	1	Bolt M20x1,5x55 DIN 961 10.9 GEOMET			
22	00+ 165.416	3	Screw locking device M 20			
24	00+ 167.608	6	Disc 15/35x3,00 ISO 4759-3			
25	00+ 120.161	15	Nut M12 DIN 934 8 ZN			
26	00+ 103.908	2	Bolt M12x45 DIN 931 10.9 GEOMET			
27	00+ 930.76.151.0	1	Eyebolt 1			
28	00+ 120.165	2	Nut M20 DIN 934 8 ZN			
29	00+ 930.20.160.0	1	Threaded sleeve			
30	00+ 128.111	2	Nut M20L DIN 934 8 ZN			
31	00+ 930.76.154.0	1	Eyebolt lhs. 2	L		
32	00+ 930.76.160.0	1	Threaded sleeve			
33	00+ 930.76.152.0	1	Eyebolt lhs. 3			
34	00+ 930.76.153.0	1	Eyebolt lhs. 4			
35	00+ 122.208	5	Nut M12 DIN 980 10 GEOMET			

Table 8166 - BODY 46W LEFT

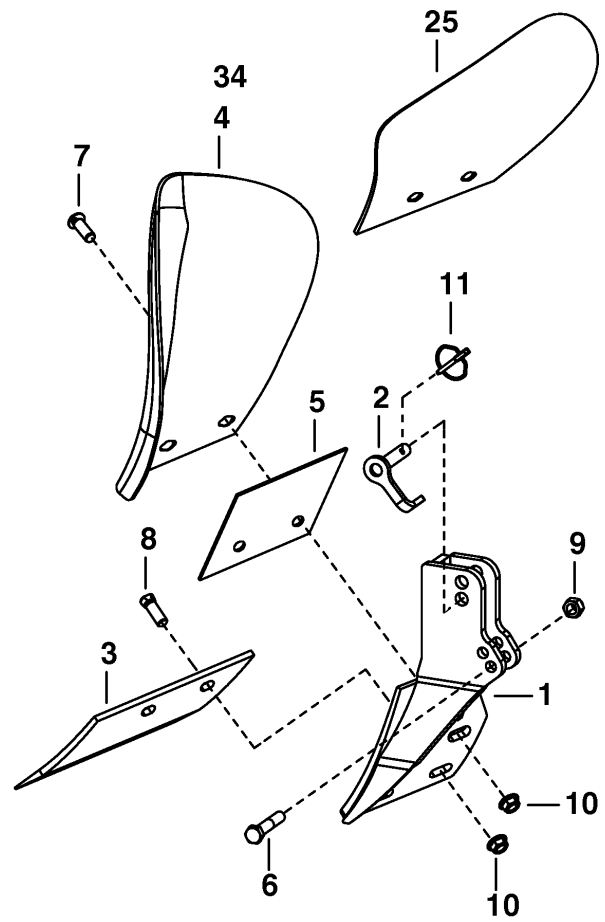
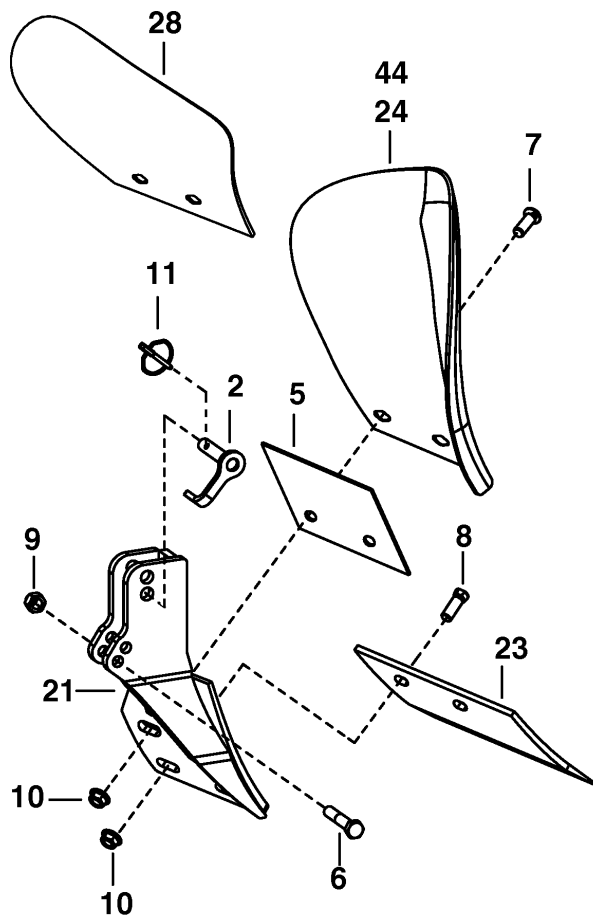




## BODY 46W LEFT - Table 8166

Pos	Part number	Qty	Description	Note	from No	to No
0.1	00+ 930.77.103.0	1	Share left 46 W 3L (BACK SHED)	(1-31 L		
1	00+ 929.10.010.1	1	Landside			
2	00+ 930.82.118.0	1	Bush			
2.1	00+ 930.82.118.1	1	Bush			
3	00+ 930.77.005.1	1	Landside point lhs. (27/46 W)	L		
4	00+ 930.77.010.0	1	Body lhs. (46 W)	L		
5	00+ 930.76.020.0	1	Support			
6	00+ 930.77.033.0	1	Mouldboard lhs. (46W 3L)	L		
7	00+ 930.77.037.0	1	Cutting edge 46W li. 3-lagig	L		
8	00+ 930.77.127.0	1	Reversible point lhs (27/46 W) 5 holes	L		
9	00+ 930.77.121.0	1	Share blade 46W left 18"	L		
9.1	67+ 073081.0001	1	Wechselspitzschar L 12MM 18" 46W			
10	00+ 103.129	1	Bolt M16x40 DIN 933 8.8 ZN			
11	00+ 105.921	1	Bolt M12x45 DIN 11014 10.9			
12	00+ 105.922	9	Bolt M12x35 DIN 11014 10.9			
13	00+ 105.999	2	Bolt M20x1,5x75 DIN 604 10.9 ZN			
14	00+ 109.304	5	Share bolt M14x 33 10.9			
15	00+ 109.933	10	Cone bolt M12x 38 12.9			
16	00+ 120.161	15	Nut M12 DIN 934 8 ZN			
17	00+ 122.220	2	Nut M20x1,5 DIN 980 10 GEOMET			
18	00+ 127.053	5	Nut M14 10			
19	00+ 162.403	3	Disc 13/28x3,00 ISO 4759-3 ZN			
20	67+ 1601875	6	U-Scheibe Plastik 3mm			
21	00+ 103.926	1	Bolt M20x1,5x55 DIN 961 10.9 GEOMET			
22	00+ 165.416	3	Screw locking device M 20			
23	00+ 122.110	1	Nut M16 DIN 980 8 ZN			
24	00+ 167.608	6	Disc 15/35x3,00 ISO 4759-3			
25	00+ 122.208	2	Nut M12 DIN 980 10 GEOMET			
26	00+ 103.908	2	Bolt M12x45 DIN 931 10.9 GEOMET			
27	00+ 930.76.151.0	1	Eyebolt 1			
28	00+ 120.165	1	Nut M20 DIN 934 8 ZN			
29	00+ 930.20.160.0	1	Threaded sleeve			
30	00+ 128.111	1	Nut M20L DIN 934 8 ZN			
31	00+ 930.76.154.0	1	Eyebolt lhs. 2			

Table 8178 - BODY V1, V2, V3

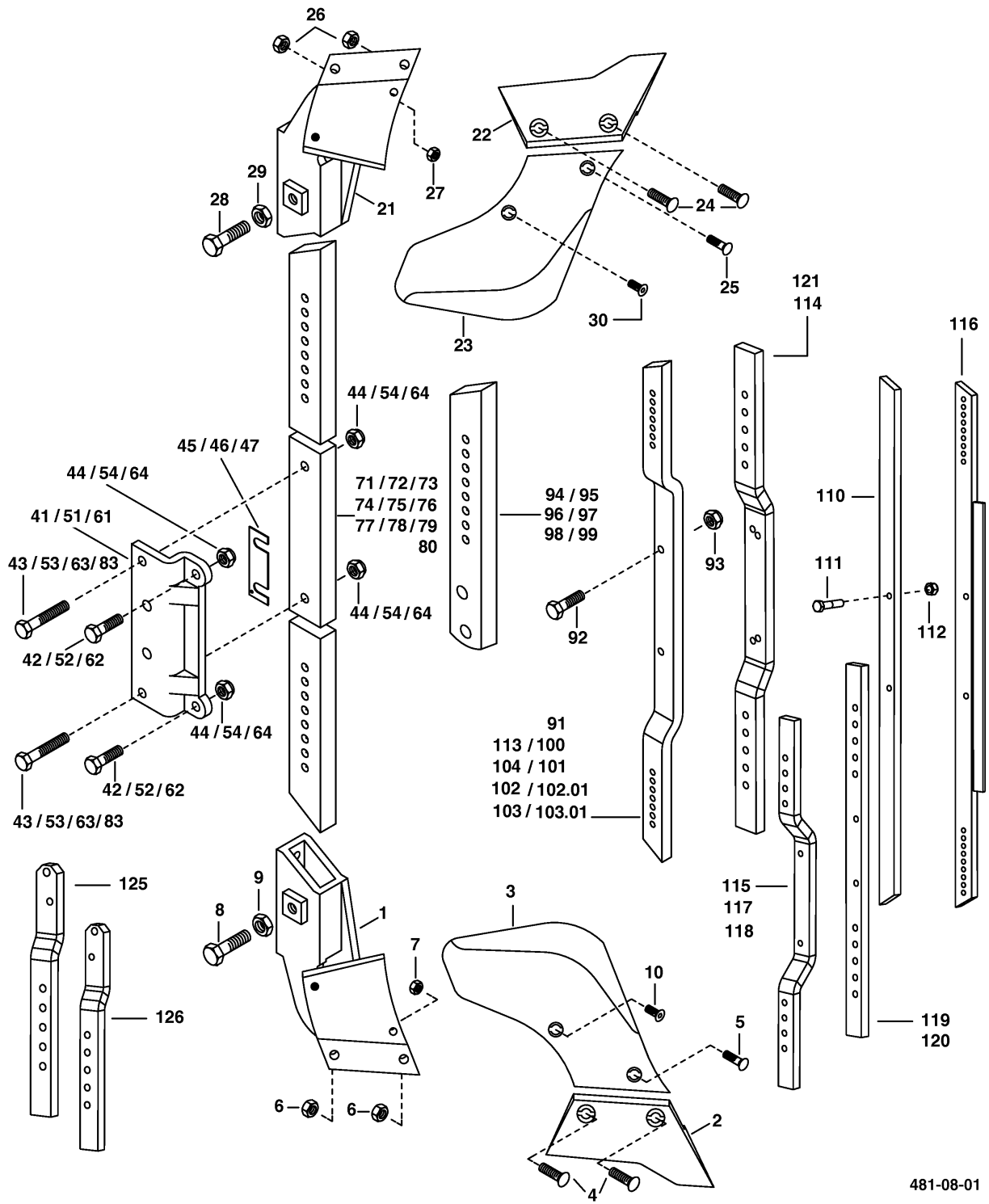


171-09-01

## BODY V1, V2, V3 - Table 8178

Pos	Part number	Qty	Description	Note	from No	to No
0.1	00+ 921.05.200.0	1	V1 maize skim right	(1-11 R		
0.2	00+ 921.06.200.0	1	V1 maize skim left	(2-11,21,23,24 L		
0.3	00+ 921.05.300.0	1	V2 body right	(1-3,5-11,34 R		
0.4	00+ 921.06.300.0	1	V2 Body left	(2,5-11,21,23,44 L		
0.5	00+ 921.05.400.0	1	V3 Skimmer right	(1-3,6-11,25 R		
0.6	00+ 921.06.400.0	1	V3 Skimmer left	(2,3,6-11,21,28 L		
1	00+ 921.05.210.0	1	Body rhs. V	R		
2	00+ 921.05.220.0	1	Pin			
3	00+ 921.05.225.1	1	Share rhs. (V1/V2/V3)	R		
4	00+ 921.05.230.0	1	Mouldboard rhs. (V1)	R		
5	00+ 921.05.235.0	1	Rubber support 70 SHORE			
6	00+ 103.325	1	Bolt M12x65 DIN 931 8.8 ZN			
7	00+ 105.922	2	Bolt M12x35 DIN 11014 10.9			
8	00+ 109.933	2	Cone bolt M12x 38 12.9			
9	00+ 122.108	1	Nut M12 DIN 980 8 ZN			
10	00+ 122.306	4	Nut M12 Verbus ripp 100 ZN			
11	00+ 438.016	1	Linch pin 5x32 DIN11023			
21	00+ 921.06.210.0	1	Body lhs. V	L		
23	00+ 921.06.225.0	1	Share lhs. (V1/V2/V3)	L		
24	00+ 921.06.230.0	1	Mouldboard lhs. (V1)	L		
25	00+ 921.05.430.0	1	Mouldboard rhs. (V3)			
28	00+ 921.06.430.0	1	Mouldboard lhs. (V3)			
34	00+ 921.05.330.0	1	Mouldboard rhs. (V2)	R		
44	00+ 921.06.330.0	1	Mouldboard lhs. (V2)	L		

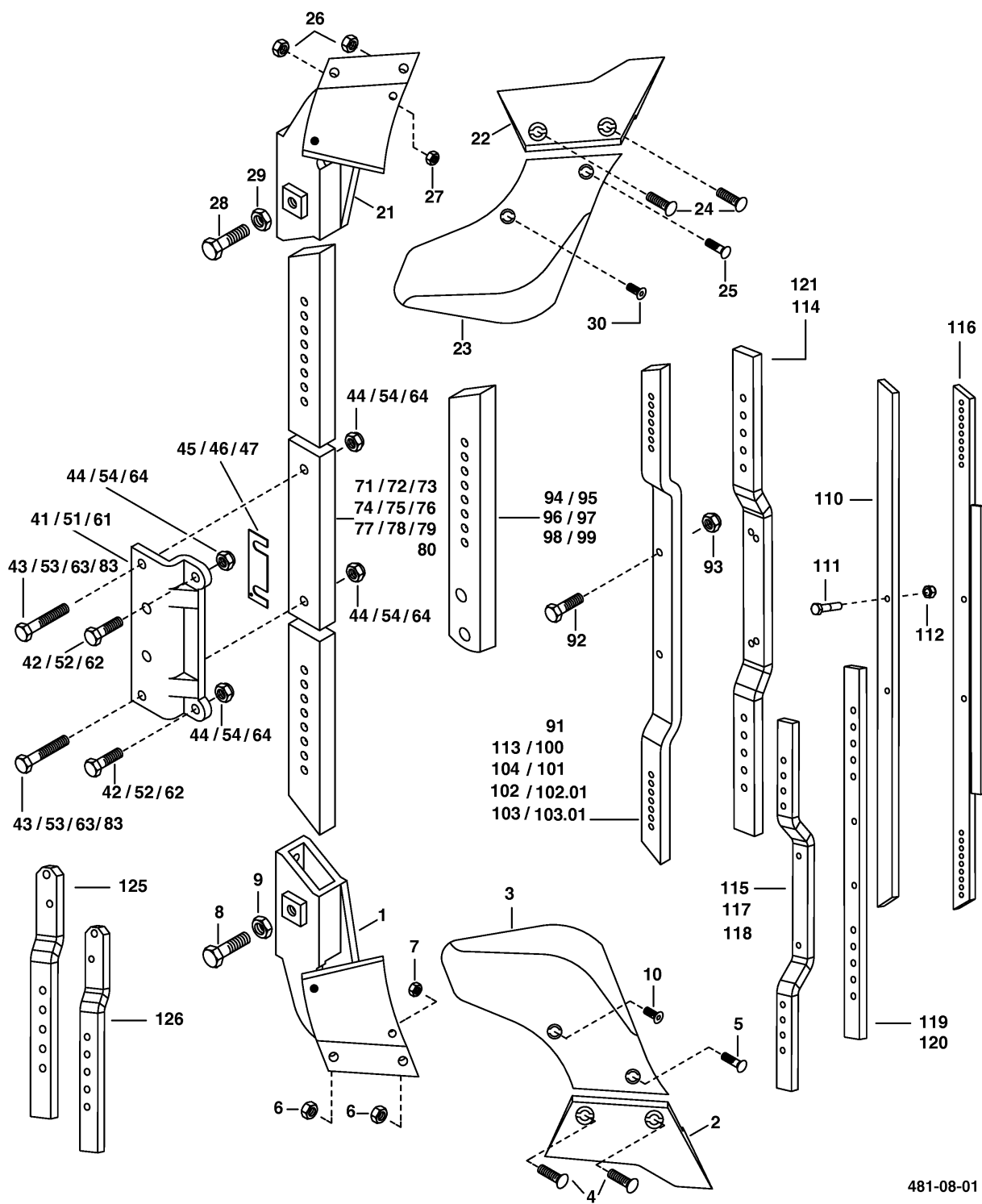
Table 8240 - DV-BODY



481-08-01

Pos	Part number	Qty	Description	Note	from No	to No
0.1	00+ 921.02.020.0	1	DV body	R(1-10		
0.2	00+ 921.02.010.0	1	DV body	L(21-30		
0.4	00+ 921.07.010.0	1	Doppelstiel und Befest. RH74	(119,51,52,92,93		
0.6	00+ 921.93.060.0	1	DV double stick NOVA C1	(91-93		
0.7	00+ 921.93.960.0	1	Double stick for maize skim			
0.8	00+ 921.93.980.0	1	DV double stick C1 L74	(92,93,101		
0.9	00+ 921.93.070.0	1	DV double stick NOVA C1			
0.10	00+ 921.93.080.0	1	DV double stick Rh 80	(79		
0.12	00+ 921.07.085.0	1	Support for skim C1 60 Nova, RH80	(104,111,112		
0.13	00+ 921.07.070.0	1	Handle Servo 65, RH80, V1	(111-113		
0.14	00+ 921.07.030.0	1	Double handle RH 80, S35/45	(111,112,114		
0.15	00+ 921.07.080.0	1	Support for skim C1 60 Nova, RH74	(111,112,115		
0.16	00+ 921.93.084.0	1	DV-Doppelstiel S 45 Rh 90	(111,112,116		
0.17	00+ 921.07.085.0	1	Support for skim C1 60 Nova, RH80	(111,112,117		
0.18	00+ 921.07.075.0	1	Doppelstiel Servo 65, RH90	(111,112,118		
0.19	00+ 921.07.060.0	1	Doppelstiel Servo 45, RH90	(111,112,121		
0.20	00+ 921.07.020.0	1	Doublesupport and assemblebracket UB80	(120,92,93,51,52		
1	00+ 921.02.040.0	1	DV cone	R		
2	80+ 001847Z	1	Share rhs.	R		
3	80+ 001849Z	1	Mouldboard rhs.	R		
4	00+ 105.911	4	Bolt M12x30 DIN 11014 8.8			
5	00+ 105.904	2	Bolt M10x25 DIN 11014 8.8			
6	00+ 120.161	4	Nut M12 DIN 934 8 ZN			
7	00+ 120.160	2	Nut M10 DIN 934 8 ZN			
8	00+ 101.634	2	Bolt M16x50 DIN 564 8.8 ZN			
9	00+ 120.378	2	Nut M16 DIN 439 04 ZN			
10	00+ 106.147	2	Bolt M10x16 DIN 7991 8.8 ZN			
21	00+ 921.02.030.0	1	DV cone	L		
22	00+ 001848Z	1	Blade share lhs. (DV)	L		
23	00+ 001850Z	1	Mouldboard	L		
24	00+ 105.911	4	Bolt M12x30 DIN 11014 8.8			
25	00+ 105.904	2	Bolt M10x25 DIN 11014 8.8			
26	00+ 120.161	4	Nut M12 DIN 934 8 ZN			
27	00+ 120.160	2	Nut M10 DIN 934 8 ZN			
28	00+ 101.634	2	Bolt M16x50 DIN 564 8.8 ZN			
29	00+ 120.378	2	Nut M16 DIN 439 04 ZN			
30	00+ 106.147	2	Bolt M10x16 DIN 7991 8.8 ZN			
42	00+ 103.086	2	Bolt M12x30 DIN 933 8.8 ZN			
43	00+ 103.916	2	Bolt M12x50 DIN 931 10.9 GEOMET			
44	00+ 122.007	4	Nut M12 DIN 985 8 ZN			
45	00+ 921.01.054.0	1	Shim 0,5mm			
46	00+ 921.01.055.0	1	Shim 1,0mm			
47	00+ 921.01.056.0	1	Shim 1,5mm			
52	00+ 103.109	2	Bolt M14x40 DIN 933 8.8 ZN			
53	00+ 103.346	2	Bolt M14x65 DIN 931 8.8 ZN			
54	00+ 122.009	4	Nut M16 DIN 985 8 ZN			
62	00+ 103.108	2	Bolt M14x35 DIN 933 8.8 ZN			
63	00+ 103.948	2	Bolt M14x60 DIN 931 10.9 GEOMET			
64	00+ 122.008	4	Nut M14 DIN 985 8 ZN			
71	00+ 921.02.006.0	1	Double-handle (DE) SL 65			

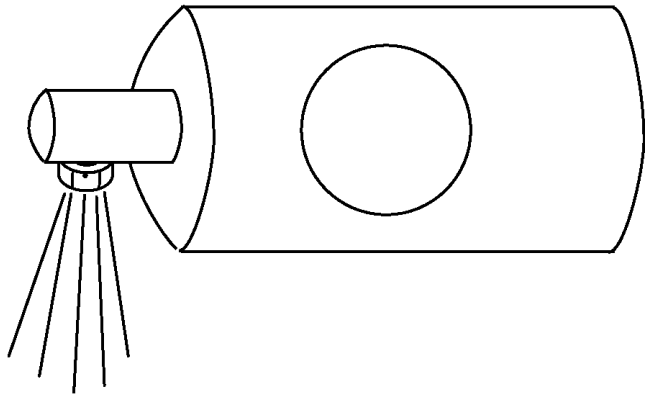
Table 8240 - DV-BODY



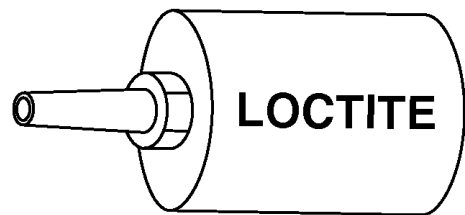
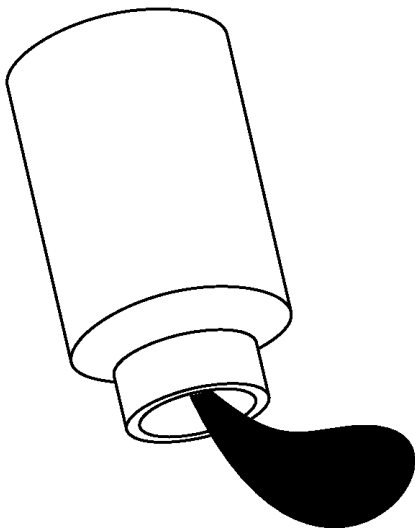
481-08-01

Pos	Part number	Qty	Description	Note	from No	to No
72	00+ 921.03.006.0	1	DV double stick SL 70			
75	00+ 921.93.030.0	1	DV double stick			
76	00+ 921.93.506.0	1	DV double stick MS78			
77	00+ 921.93.510.0	1	DV double stick MS 88			
78	00+ 921.96.006.0	1	DV double stick L65			
79	00+ 921.93.090.0	1	DV double stick 3 L-1150			
80	00+ 921.93.085.0	1	DV double stick 45 RH 90	#		
91	00+ 921.93.070.0	1	DV double stick NOVA C1			
92	00+ 103.346	2	Bolt M14x65 DIN 931 8.8 ZN			
93	00+ 122.109	2	Nut M14 DIN 980 8 ZN			
94	00+ 921.96.001.0	1	DV-stick			
95	00+ 921.96.002.0	1	DV-stick			
96	00+ 921.92.001.0	1	DV-stick			
97	00+ 921.92.002.0	1	DV-stick			
98	00+ 921.93.001.0	1	DV SKIM LEG 78 CM, LEFT			
99	00+ 921.93.002.0	1	DV SKIM LEG 78 CM, RIGHT			
100	00+ 921.93.970.0	1	Double-handle (DV) NOVA 50 C1			
101	00+ 921.93.985.0	1	DV double stick C1 L74			
104	00+ 921.07.086.0	1	DV-Doppelstiel C1 60 RH80			
110	00+ 921.93.056.0	1	DV double stick 35/90			
111	00+ 103.346	2	Bolt M14x65 DIN 931 8.8 ZN			
112	00+ 122.109	2	Nut M14 DIN 980 8 ZN			
113	00+ 921.07.071.0	1	Doppelstiel Servo 65 RH80			
114	00+ 921.07.031.0	1	Doppelstiel S 35/45 RH80			
115	00+ 921.07.081.0	1	Doppelstiel C1 60 RH74			
116	00+ 921.93.087.0	1	Doppelstiel 45 RH90 Sz.			
117	00+ 921.07.086.0	1	DV-Doppelstiel C1 60 RH80			
118	00+ 921.07.076.0	1	Doppelstiel Servo 65 RH90			
119	00+ 921.07.011.0	1	Double Arm Servo 25, 74cm			
120	00+ 921.07.021.0	1	Double-handle V1 (80)			
121	00+ 921.07.061.0	1	Doppelstiel Servo 45 RH90			

Table 9000 - PAINT, GLUE, OPERATING RESOURCE



19216001





## PAINT, GLUE, OPERATING RESOURCE - Table 9000

Pos	Part number	Qty	Description	Note	from No	to No
1	00+ 540.112	1	Paint EBELUX SCHWARZ MATT K 8362			
2	00+ 540.113	1	Paint SUPER NOVA GELB HL-S			
3	00+ 540.117	1	Paint RAL 9002 1 kg			
4	00+ 540.138	1	Paint "PÖTTINGER" 1978 1 kg			
5	00+ 540.139	1	Paint "PÖTTINGER" 1 kg			
6	00+ 540.145	1	Paint SUPERNOVA HLS RAL 5004 ART. NR.			
7	00+ 540.318	1	Paint anthacite 1 kg			
8	00+ 540.319	1	Paint yellow "PÖTTINGER" 1 kg			
9	00+ 540.321	1	Paint "PÖTTINGER" 1 kg			
10	00+ 540.124	1	Spray red "Pöttinger"			
11	00+ 540.220	1	Spray black			
12	00+ 540.252	1	Spray black RAL 9005			
13	00+ 540.253	1	Spray yellow RAL 1021			
14	00+ 540.256	1	Spray white RAL 9010			
15	00+ 540.258	1	Spray Anthrazit RAL 7021			
16	45+ 099661	1	LACKSPRAY			
17	00+ 540.167	1	Lack Grundierspray			
18	00+ 540.383	1	Spray gray RAL 7035			
19	00+ 540.301	1	Paint anthracite RAL 7016 UN 1263, 125ml			
20	00+ 540.303	1	Paint red UN 1263			
21	00+ 542.464	1	Solvent 50 Super 200 ml Label remover			
22	00+ 542.566	1	Rostlöserspray 300ml			
23	00+ 543.213	1	Protecting film spray OKS 2101			
24	00+ 543.004	1	Securing for bolts 250 ml			
25	00+ 543.014	1	Loctite Euro-Lock			
26	00+ 543.016	1	Loctite 380			
27	00+ 543.103	1	Superclue LOCTITE 495, 50 gr			
28	88+ 8.8.8.01246	1	Sealing paste for CAT NOVA cutterbars			
29	00+ 543.201	1	Loctite 510 KARTUSCHE			
30	00+ 543.220	1	Bremsenreiniger			
31	00+ 542.026	1	Graphit powder 0,5kg			
32	00+ 542.423	1	MONTIERPASTE UNIVERSAL TIP-TOP 3,5 KG			
33	00+ 542.422	1	Optimol paste OPTIMOL OPTIMOLY PASTE VP			
34	00+ 542.425	1	Transmission grease HALBFLUESSIGES			
35	00+ 542.501	1	Anti-Seize lubricant LOCTITE 1000 ml			
36	45+ 102966	1	Gleitmo 810 für Nockenschaltkuppl. 1 kg.			
37	45+ 304291	1	Gleitmo 810 für Nockenschaltkuppl. 100g			
38	00+ 558.001	1	Adhesive tape PPN brown 50/66			
39	00+ 543.020	1	LOCTITE-LEERFLASCHE 20 G.			

## Index

Part number	Table	Pos	Part number	Table	Pos	Part number	Table	Pos
00+ 001848Z	8240	22	00+ 103.269	290	10	00+ 103.948	8240	63
00+ 001850Z	8240	23	00+ 103.269	300	6	00+ 103.957	190	28
00+ 101.080	60	29	00+ 103.269	310	10	00+ 103.959	220	5
00+ 101.085	440	3	00+ 103.269	320	6	00+ 103.960	410	9
00+ 101.085	450	4	00+ 103.269	350	4	00+ 103.961	440	4
00+ 101.523	90	8	00+ 103.282	260	4	00+ 103.961	450	5
00+ 101.523	100	8	00+ 103.285	190	35	00+ 103.962	180	17
00+ 101.523	110	8	00+ 103.286	270	12	00+ 103.965	440	5
00+ 101.523	120	8	00+ 103.286	481	9	00+ 103.965	450	6
00+ 101.523	130	9	00+ 103.325	8178	6	00+ 103.976	481	15
00+ 101.523	140	9	00+ 103.346	8240	53	00+ 103.980	190	16
00+ 101.523	150	9	00+ 103.346	8240	92	00+ 103.980	200	21
00+ 101.523	160	4	00+ 103.346	8240	111	00+ 104.329	20	4
00+ 101.523	170	4	00+ 103.348	440	13	00+ 104.329	30	11
00+ 101.634	8240	8	00+ 103.348	450	13	00+ 104.547	520	1
00+ 101.634	8240	28	00+ 103.366	90	25	00+ 104.552	481	16
00+ 101.825	60	27	00+ 103.366	100	25	00+ 104.749	260	5
00+ 101.825	230	5	00+ 103.366	160	5	00+ 105.904	8240	5
00+ 101.825	410	7	00+ 103.366	170	5	00+ 105.904	8240	25
00+ 101.825	420	6	00+ 103.366	360	42	00+ 105.911	8240	4
00+ 101.833	60	26	00+ 103.366	400	4	00+ 105.911	8240	24
00+ 101.838	60	28	00+ 103.367	50	3	00+ 105.921	8090	14
00+ 103.021	20	9	00+ 103.370	180	16	00+ 105.921	8096	14
00+ 103.021	30	9	00+ 103.370	500	10	00+ 105.921	8106	11
00+ 103.040	60	25	00+ 103.374	410	8	00+ 105.921	8150	14
00+ 103.041	482	4	00+ 103.374	500	1	00+ 105.921	8150	47
00+ 103.043	260	1	00+ 103.427	190	25	00+ 105.921	8156	14
00+ 103.043	481	12	00+ 103.908	8090	13	00+ 105.921	8160	11
00+ 103.044	482	5	00+ 103.908	8096	13	00+ 105.921	8166	11
00+ 103.045	60	62	00+ 103.908	8106	10	00+ 105.922	8090	15
00+ 103.045	260	2	00+ 103.908	8150	13	00+ 105.922	8096	15
00+ 103.064	260	3	00+ 103.908	8150	30	00+ 105.922	8106	12
00+ 103.066	60	30	00+ 103.908	8156	30	00+ 105.922	8150	15
00+ 103.085	370	3	00+ 103.908	8160	26	00+ 105.922	8156	15
00+ 103.085	380	3	00+ 103.908	8166	26	00+ 105.922	8160	12
00+ 103.086	8240	42	00+ 103.916	8240	43	00+ 105.922	8166	12
00+ 103.087	430	7	00+ 103.918	240	3	00+ 105.922	8178	7
00+ 103.108	8240	62	00+ 103.918	250	33	00+ 105.999	8090	16
00+ 103.109	8240	52	00+ 103.918	460	8	00+ 105.999	8096	16
00+ 103.129	481	13	00+ 103.919	430	4	00+ 105.999	8106	13
00+ 103.129	8166	10	00+ 103.919	460	9	00+ 105.999	8150	16
00+ 103.130	360	8	00+ 103.926	8090	26	00+ 105.999	8156	16
00+ 103.169	70	9	00+ 103.926	8096	26	00+ 105.999	8160	13
00+ 103.169	270	2	00+ 103.926	8106	21	00+ 105.999	8166	13
00+ 103.269	130	24	00+ 103.926	8150	26	00+ 106.147	8240	10
00+ 103.269	140	24	00+ 103.926	8156	26	00+ 106.147	8240	30
00+ 103.269	150	24	00+ 103.926	8160	21	00+ 107.018	20	5
00+ 103.269	160	22	00+ 103.926	8166	21	00+ 107.018	30	5
00+ 103.269	170	22	00+ 103.928	40	7	00+ 107.161	360	7
00+ 103.269	190	40	00+ 103.928	50	4	00+ 108.921	240	4

Part number	Table	Pos	Part number	Table	Pos	Part number	Table	Pos			
00+	109.304	8090	17	00+	120.255	160	6	00+	122.218	420	7
00+	109.304	8096	17	00+	120.255	170	6	00+	122.218	430	6
00+	109.304	8106	14	00+	120.378	8240	9	00+	122.218	440	6
00+	109.304	8150	17	00+	120.378	8240	29	00+	122.218	450	7
00+	109.304	8156	17	00+	121.518	250	5	00+	122.218	460	12
00+	109.304	8160	14	00+	122.003	520	2	00+	122.220	40	8
00+	109.304	8166	14	00+	122.007	8240	44	00+	122.220	50	6
00+	109.305	8106	14.1	00+	122.008	8240	64	00+	122.220	180	21
00+	109.933	8090	18	00+	122.009	460	10	00+	122.220	410	12
00+	109.933	8096	18	00+	122.009	8240	54	00+	122.220	440	7
00+	109.933	8106	15	00+	122.013	460	11	00+	122.220	450	8
00+	109.933	8150	18	00+	122.103	481	17	00+	122.220	8090	21
00+	109.933	8156	18	00+	122.104	260	6	00+	122.220	8096	21
00+	109.933	8160	15	00+	122.106	60	63	00+	122.220	8106	17
00+	109.933	8166	15	00+	122.106	180	19	00+	122.220	8150	21
00+	109.933	8178	8	00+	122.106	190	26	00+	122.220	8156	21
00+	1101049	390	5	00+	122.106	260	7	00+	122.220	8160	17
00+	118.005	360	25	00+	122.106	482	6	00+	122.220	8166	17
00+	118.005	390	6	00+	122.107	60	31	00+	122.224	190	14
00+	118.009	70	10	00+	122.108	240	5	00+	122.224	200	20
00+	120.159	270	10	00+	122.108	8178	9	00+	122.306	8178	10
00+	120.160	8240	7	00+	122.109	8240	93	00+	122.317	481	18
00+	120.160	8240	27	00+	122.109	8240	112	00+	124.025	40	9
00+	120.161	360	34	00+	122.110	50	5	00+	124.034	60	23
00+	120.161	8090	19	00+	122.110	90	27	00+	124.310	250	6
00+	120.161	8096	19	00+	122.110	100	27	00+	124.429	10	56
00+	120.161	8106	16	00+	122.110	160	7	00+	127.005	250	7
00+	120.161	8150	19	00+	122.110	170	7	00+	127.053	8090	22
00+	120.161	8156	19	00+	122.110	180	20	00+	127.053	8096	22
00+	120.161	8160	16	00+	122.110	360	9	00+	127.053	8106	18
00+	120.161	8160	25	00+	122.110	360	43	00+	127.053	8150	22
00+	120.161	8166	16	00+	122.110	400	5	00+	127.053	8156	22
00+	120.161	8240	6	00+	122.110	410	10	00+	127.053	8160	18
00+	120.161	8240	26	00+	122.110	481	20	00+	127.053	8166	18
00+	120.163	20	6	00+	122.110	500	6	00+	128.111	8090	31
00+	120.163	30	6	00+	122.110	8166	23	00+	128.111	8096	31
00+	120.165	8090	30	00+	122.112	70	11	00+	128.111	8106	31
00+	120.165	8096	30	00+	122.112	190	24	00+	128.111	8150	34
00+	120.165	8106	30	00+	122.112	270	4	00+	128.111	8156	34
00+	120.165	8150	32	00+	122.112	420	13	00+	128.111	8160	30
00+	120.165	8156	32	00+	122.208	8090	34	00+	128.111	8166	30
00+	120.165	8160	28	00+	122.208	8096	34	00+	157.018	180	25
00+	120.165	8166	28	00+	122.208	8106	32	00+	157.817	410	13
00+	120.255	90	9	00+	122.208	8150	29	00+	157.817	420	10
00+	120.255	100	9	00+	122.208	8156	39	00+	157.820	180	24
00+	120.255	110	9	00+	122.208	8160	35	00+	157.820	210	5
00+	120.255	120	9	00+	122.208	8166	25	00+	157.822	190	15
00+	120.255	130	10	00+	122.218	60	24	00+	157.822	200	19
00+	120.255	140	10	00+	122.218	230	6	00+	157.822	400	6
00+	120.255	150	10	00+	122.218	410	11	00+	157.825	10	5

## Index

Part number	Table	Pos	Part number	Table	Pos	Part number	Table	Pos			
00+	157.825	70	22	00+	163.119	390	8	00+	167.608	8106	24
00+	157.825	410	14	00+	163.120	190	17	00+	167.608	8150	28
00+	157.825	420	12	00+	163.120	200	17	00+	167.608	8156	28
00+	157.827	10	57	00+	163.125	250	9	00+	167.608	8160	24
00+	157.827	80	3	00+	163.132	410	15	00+	167.608	8166	24
00+	157.831	190	19	00+	163.139	10	58	00+	172.169	210	8
00+	157.831	200	18	00+	163.139	440	8	00+	172.197	60	18
00+	157.835	10	44	00+	163.139	450	9	00+	172.198	360	11
00+	157.835	70	13	00+	163.146	482	8	00+	172.207	360	12
00+	162.153	250	8	00+	165.310	260	9	00+	172.964	370	8
00+	162.158	260	8	00+	165.310	270	11	00+	172.964	380	8
00+	162.224	481	21	00+	165.311	260	10	00+	172.969	180	22
00+	162.224	520	3	00+	165.414	60	22	00+	172.969	220	4
00+	162.401	370	9	00+	165.414	90	10	00+	172.977	60	19
00+	162.401	380	11	00+	165.414	100	10	00+	172.977	70	16
00+	162.403	240	6	00+	165.414	110	10	00+	173.116	390	9
00+	162.403	8090	24	00+	165.414	120	10	00+	173.128	370	7
00+	162.403	8096	24	00+	165.414	130	11	00+	173.128	380	9
00+	162.403	8106	19	00+	165.414	140	11	00+	173.142	190	38
00+	162.403	8150	24	00+	165.414	150	11	00+	173.142	290	4
00+	162.403	8156	24	00+	165.414	160	8	00+	173.142	310	4
00+	162.403	8160	19	00+	165.414	170	8	00+	173.143	300	3
00+	162.403	8166	19	00+	165.416	40	12	00+	173.143	320	3
00+	162.405	20	11	00+	165.416	8090	27	00+	173.143	350	3
00+	162.405	30	12	00+	165.416	8096	27	00+	173.144	60	17
00+	162.405	130	23	00+	165.416	8106	22	00+	173.180	10	25
00+	162.405	140	23	00+	165.416	8150	27	00+	175.268	250	10
00+	162.405	150	23	00+	165.416	8156	27	00+	179.123	490	15
00+	162.407	270	8	00+	165.416	8160	22	00+	1821986	490	1
00+	162.407	481	8	00+	165.416	8166	22	00+	190.002	10	46
00+	162.407	482	7	00+	165.418	60	21	00+	190.002	70	17
00+	162.411	360	10	00+	165.418	190	27	00+	190.002	80	5
00+	162.415	210	6	00+	166.224	190	20	00+	190.002	410	22
00+	162.417	420	9	00+	166.224	200	16	00+	190.002	420	16
00+	162.424	180	15	00+	166.604	190	42	00+	1900807	500	3
00+	162.427	180	31	00+	166.604	200	14	00+	1900808	500	4
00+	162.434	410	17	00+	166.614	190	18	00+	1900809	500	5
00+	162.434	420	11	00+	166.614	200	15	00+	191.002	180	23
00+	162.442	520	11	00+	166.829	60	20	00+	191.002	210	9
00+	162.509	420	8	00+	166.829	70	15	00+	191.002	250	4
00+	162.634	520	4	00+	166.834	10	45	00+	191.002	400	27
00+	162.635	80	4	00+	166.834	70	14	00+	191.007	220	11
00+	162.757	460	13	00+	166.847	230	7	00+	191.007	400	15
00+	163.104	390	7	00+	166.847	410	18	00+	191.012	90	13
00+	163.105	400	7	00+	166.847	420	14	00+	191.012	100	13
00+	163.108	10	7	00+	166.847	440	9	00+	191.012	110	13
00+	163.109	10	6	00+	166.847	450	10	00+	191.012	120	13
00+	163.109	400	8	00+	166.848	410	19	00+	191.012	130	14
00+	163.119	180	32	00+	167.608	8090	28	00+	191.012	140	14
00+	163.119	210	7	00+	167.608	8096	28	00+	191.012	150	14

Part number	Table	Pos	Part number	Table	Pos	Part number	Table	Pos			
00+	191.012	160	11	00+	415.578	190	60	00+	445.502	270	9
00+	191.012	170	11	00+	415.578	260	41	00+	447.183	260	13
00+	191.012	210	12	00+	415.578	270	16	00+	447.926	190	41
00+	191.012	360	33	00+	415.578	360	36	00+	447.936	260	37
00+	265.503	190	51	00+	415.579	190	61	00+	447.936	380	6
00+	265.503	350	11	00+	415.579	200	23	00+	448.003	130	42
00+	404.508	240	12	00+	415.579	220	13	00+	448.003	140	42
00+	404.537	240	18	00+	415.579	260	40	00+	448.003	150	42
00+	407.061	180	50	00+	415.579	270	17	00+	448.003	160	32
00+	407.062	400	30	00+	415.579	290	30	00+	448.003	170	32
00+	410.229	400	29	00+	415.579	310	30	00+	448.004	130	43
00+	410.354	420	15	00+	415.579	360	35	00+	448.004	140	43
00+	410.358	180	9	00+	417.919	510	5	00+	448.004	150	43
00+	410.365	90	12	00+	417.920	510	7	00+	448.004	160	33
00+	410.365	100	12	00+	417.930	510	6	00+	448.004	170	33
00+	410.365	110	12	00+	418.282	10	29	00+	448.005	190	52
00+	410.365	120	12	00+	418.282	10	60	00+	448.005	290	22
00+	410.365	130	13	00+	430.144	390	10	00+	448.005	300	10
00+	410.365	140	13	00+	430.908	370	4	00+	448.005	310	22
00+	410.365	150	13	00+	430.908	380	4	00+	448.005	320	10
00+	410.365	160	10	00+	435.160	370	6	00+	448.005	350	12
00+	410.365	170	10	00+	435.160	380	7	00+	448.006	190	53
00+	410.365	210	10	00+	435.212	360	31	00+	448.006	290	23
00+	410.366	10	27	00+	435.379	360	13	00+	448.006	300	11
00+	410.366	70	28	00+	438.003	190	23	00+	448.006	310	23
00+	410.369	210	11	00+	438.003	200	12	00+	448.006	320	11
00+	410.369	220	12	00+	438.016	8178	11	00+	448.006	350	13
00+	410.370	400	16	00+	438.017	360	30	00+	448.007	260	19
00+	410.373	10	28	00+	438.018	60	15	00+	448.008	260	20
00+	410.373	10	48	00+	438.026	40	11	00+	448.019	20	13
00+	410.373	60	40	00+	438.026	190	11	00+	448.019	30	14
00+	410.373	70	29	00+	438.026	200	11	00+	448.019	260	21
00+	410.373	70	31	00+	438.026	230	10	00+	448.019	270	15
00+	410.374	410	21	00+	438.041	482	9	00+	448.020	130	31
00+	410.377	10	47	00+	438.051	40	10	00+	448.020	140	31
00+	410.377	70	32	00+	438.054	190	12	00+	448.020	150	31
00+	410.377	90	11	00+	438.054	200	10	00+	448.020	260	52
00+	410.377	100	11	00+	438.054	230	8	00+	448.020	270	6
00+	410.377	110	11	00+	438.055	360	14	00+	448.020	360	15
00+	410.377	120	11	00+	442.113	360	27.1	00+	448.022	130	26
00+	410.377	130	12	00+	442.194	180	27	00+	448.022	140	26
00+	410.377	140	12	00+	442.286	360	27	00+	448.022	150	26
00+	410.377	150	12	00+	442.640	20	3	00+	448.022	180	13
00+	410.377	360	32	00+	442.640	30	3	00+	448.022	360	16
00+	410.382	60	16	00+	442.641	20	2	00+	448.038	180	14
00+	410.382	70	18	00+	442.641	30	2	00+	448.052	260	54
00+	410.383	400	28	00+	442.642	20	1	00+	448.052	360	17
00+	415.195	250	13	00+	442.642	30	1	00+	448.054	360	18
00+	415.329	260	42	00+	442.643	30	4	00+	448.058	260	34
00+	415.578	180	40	00+	445.102	180	10	00+	448.062	360	19

## Index

Part number	Table	Pos	Part number	Table	Pos	Part number	Table	Pos			
00+	448.073	360	20	00+	470.960	481	23	00+	540.253	9000	13
00+	448.083	260	22	00+	474.006	481	22	00+	540.256	9000	14
00+	448.084	260	23	00+	474.007	481	19	00+	540.258	9000	15
00+	448.085	260	55	00+	474.105	481	14	00+	540.301	9000	19
00+	448.085	360	21	00+	475.003	481	27	00+	540.303	9000	20
00+	448.177	190	30	00+	475.169	481	28	00+	540.318	9000	7
00+	448.177	290	7	00+	475.172	20	8	00+	540.319	9000	8
00+	448.177	310	7	00+	475.172	30	8	00+	540.321	9000	9
00+	448.229	260	28	00+	476.238	481	11	00+	540.383	9000	18
00+	448.232	260	29	00+	477.126	481	10	00+	542.026	9000	31
00+	448.441	130	28	00+	490.951	390	11	00+	542.422	180	30
00+	448.441	140	28	00+	490.993	390	12	00+	542.422	9000	33
00+	448.441	150	28	00+	494.003	520	7	00+	542.423	9000	32
00+	448.441	160	23	00+	494.013	490	2	00+	542.425	9000	34
00+	448.441	170	23	00+	494.041	490	4.1	00+	542.464	9000	21
00+	448.441	260	30	00+	494.346	180	26	00+	542.501	9000	35
00+	448.441	270	7	00+	494.529	490	3	00+	542.566	9000	22
00+	448.513	510	4	00+	495.014	520	8	00+	543.004	240	8
00+	448.554	20	12	00+	495.069	490	5	00+	543.004	460	14
00+	448.554	30	13	00+	495.077	520	9	00+	543.004	9000	24
00+	448.554	360	24	00+	495.078	520	10	00+	543.014	60	12
00+	448.558	260	31	00+	495.154	490	6	00+	543.014	70	21
00+	448.558	520	5	00+	495.166	490	7	00+	543.014	180	51
00+	448.705	360	26	00+	495.171	490	8	00+	543.014	250	15
00+	448.902	190	39	00+	495.483	490	14	00+	543.014	400	31
00+	448.902	290	8	00+	495.508	490	9	00+	543.014	460	15
00+	448.902	300	5	00+	495.613	490	13	00+	543.014	9000	25
00+	448.902	310	8	00+	495.623	490	20	00+	543.016	9000	26
00+	448.902	320	5	00+	495.684	70	19	00+	543.020	9000	39
00+	448.902	350	6	00+	495.685	70	20	00+	543.103	9000	27
00+	448.906	130	29	00+	495.713	490	10	00+	543.201	9000	29
00+	448.906	140	29	00+	495.786	130	32	00+	543.213	9000	23
00+	448.906	150	29	00+	495.786	140	32	00+	543.220	9000	30
00+	448.906	160	24	00+	495.786	150	32	00+	548.026	180	18
00+	448.906	170	24	00+	495.798	230	9	00+	558.001	9000	38
00+	448.907	130	30	00+	495.993	490	12	00+	612.127	50	7
00+	448.907	140	30	00+	496.106	330	3	00+	445.1.003	130	25
00+	448.907	150	30	00+	496.106	350	7	00+	445.1.003	140	25
00+	448.907	160	25	00+	496.130	340	3	00+	445.1.003	150	25
00+	448.907	170	25	00+	497.521	500	8	00+	447.1.212	260	12
00+	451.591	251	2	00+	540.112	9000	1	00+	447.1.378	180	11
00+	452.140	240	23	00+	540.113	9000	2	00+	447.1.378	270	5
00+	452.258	251	1	00+	540.117	9000	3	00+	447.1.705	260	18
00+	452.526	240	24	00+	540.124	9000	10	00+	447.2.201	360	28
00+	453.474	250	14	00+	540.138	9000	4	00+	447.2.202	260	51
00+	459.101	481	24	00+	540.139	9000	5	00+	447.2.207	190	34
00+	464.157	370	5	00+	540.145	9000	6	00+	447.2.207	290	9
00+	464.157	380	5	00+	540.167	9000	17	00+	447.2.207	310	9
00+	470.037	481	25	00+	540.220	9000	11	00+	447.2.208	260	14
00+	470.053	481	26	00+	540.252	9000	12	00+	447.2.209	200	22

Part number	Table	Pos	Part number	Table	Pos	Part number	Table	Pos
00+ 447.2.209	260	15	00+ 448.908.001	260	33	00+ 921.02.010.0	8240	0.2
00+ 447.2.210	270	14	00+ 470.040.001	482	10	00+ 921.02.020.0	8240	0.1
00+ 447.2.219	260	16	00+ 470.040.002	481	25.1	00+ 921.02.030.0	8240	21
00+ 447.2.702	180	12	00+ 470.040.003	481	6.1	00+ 921.02.040.0	8240	1
00+ 447.2.702	260	17	00+ 470.983.001	520	6	00+ 921.03.006.0	8240	72
00+ 447.2.754	190	22	00+ 494.795.001	490	5.1	00+ 921.05.200.0	8178	0.1
00+ 447.4.201	220	6	00+ 497.550.001	510	2	00+ 921.05.210.0	8178	1
00+ 447.4.922	360	29	00+ 497.550.002	510	3	00+ 921.05.220.0	8178	2
00+ 448.1.031	190	33	00+ 200.14.014.0	481	7	00+ 921.05.225.1	8178	3
00+ 448.1.031	290	5	00+ 494.286.0001	490	35	00+ 921.05.230.0	8178	4
00+ 448.1.031	300	4	00+ 495.623.0002	490	31	00+ 921.05.235.0	8178	5
00+ 448.1.031	310	5	00+ 495.694.0001	60	14	00+ 921.05.300.0	8178	0.3
00+ 448.1.031	320	4	00+ 495.713.0001	490	32	00+ 921.05.330.0	8178	34
00+ 448.1.031	350	2	00+ 495.982.0004	490	11	00+ 921.05.400.0	8178	0.5
00+ 448.1.041	360	22	00+ 500.1.228.01	240	17	00+ 921.05.430.0	8178	25
00+ 448.1.046	260	24	00+ 500.1.228.02	240	20	00+ 921.06.200.0	8178	0.2
00+ 448.1.049	20	7	00+ 500.1.228.03	240	21	00+ 921.06.210.0	8178	21
00+ 448.1.049	30	7	00+ 500.1.228.04	240	22	00+ 921.06.225.0	8178	23
00+ 448.1.062	260	25	00+ 500.1.228.06	240	13	00+ 921.06.230.0	8178	24
00+ 448.1.067	260	26	00+ 500.1.228.07	240	14	00+ 921.06.300.0	8178	0.4
00+ 448.1.067	260	53	00+ 500.1.228.09	240	19	00+ 921.06.330.0	8178	44
00+ 448.1.073	260	27	00+ 500.1.228.10	240	11	00+ 921.06.400.0	8178	0.6
00+ 448.1.101	190	29	00+ 850.68.502.0	470	0.1	00+ 921.06.430.0	8178	28
00+ 448.1.101	290	6	00+ 872.05.009.0	10	51	00+ 921.07.010.0	8240	0.4
00+ 448.1.101	310	6	00+ 918.06.025.0	430	1	00+ 921.07.011.0	8240	119
00+ 448.1.102	130	27	00+ 918.06.025.0	460	1	00+ 921.07.020.0	8240	0.20
00+ 448.1.102	140	27	00+ 918.06.400.0	450	0.1	00+ 921.07.021.0	8240	120
00+ 448.1.102	150	27	00+ 918.06.401.1	440	1	00+ 921.07.030.0	8240	0.14
00+ 448.1.271	270	3	00+ 918.06.401.1	450	1	00+ 921.07.031.0	8240	114
00+ 448.1.274	270	13	00+ 918.06.405.1	450	2	00+ 921.07.060.0	8240	0.19
00+ 448.1.283	360	23	00+ 918.06.410.1	450	3	00+ 921.07.061.0	8240	121
00+ 500.1.229	240	0.2	00+ 918.06.420.0	440	0.1	00+ 921.07.070.0	8240	0.13
00+ 500.1.229	250	31	00+ 918.06.425.1	440	2	00+ 921.07.071.0	8240	113
00+ 500.1.461	251	0.1	00+ 918.06.430.1	440	10	00+ 921.07.075.0	8240	0.18
00+ 404.511.001	250	11	00+ 918.06.550.0	430	0.1	00+ 921.07.076.0	8240	118
00+ 404.568.001	250	12	00+ 918.06.551.0	430	2	00+ 921.07.080.0	8240	0.15
00+ 404.738.001	10	26	00+ 918.06.560.0	460	0.1	00+ 921.07.081.0	8240	115
00+ 404.738.001	10	59	00+ 918.06.561.1	460	2	00+ 921.07.085.0	8240	0.12
00+ 442.194.001	180	27.1	00+ 918.06.562.1	460	3	00+ 921.07.085.0	8240	0.17
00+ 442.640.001	20	3.1	00+ 918.06.563.1	460	4	00+ 921.07.086.0	8240	104
00+ 442.640.001	30	3.1	00+ 918.06.564.0	460	6	00+ 921.07.086.0	8240	117
00+ 442.640.001	30	4.1	00+ 918.06.565.0	460	5	00+ 921.92.001.0	8240	96
00+ 442.641.001	20	2.1	00+ 918.06.703.0	40	1	00+ 921.92.002.0	8240	97
00+ 442.641.001	30	2.1	00+ 918.06.703.0	50	1	00+ 921.93.001.0	8240	98
00+ 442.642.001	20	1.1	00+ 918.06.703.0	440	11	00+ 921.93.002.0	8240	99
00+ 442.642.001	30	1.1	00+ 918.06.703.0	450	11	00+ 921.93.005.0	440	12
00+ 445.167.011	260	11	00+ 921.01.054.0	8240	45	00+ 921.93.005.0	450	12
00+ 448.901.003	190	36	00+ 921.01.055.0	8240	46	00+ 921.93.030.0	8240	75
00+ 448.901.003	260	32	00+ 921.01.056.0	8240	47	00+ 921.93.056.0	8240	110
00+ 448.908.001	190	37	00+ 921.02.006.0	8240	71	00+ 921.93.060.0	8240	0.6

## Index

Part number	Table	Pos	Part number	Table	Pos	Part number	Table	Pos
00+ 921.93.070.0	8240	0.9	00+ 923.66.080.1	230	2.1	00+ 930.76.151.0	8156	31
00+ 921.93.070.0	8240	91	00+ 923.66.085.0	230	1	00+ 930.76.151.0	8160	27
00+ 921.93.080.0	8240	0.10	00+ 923.66.085.1	230	1.1	00+ 930.76.151.0	8166	27
00+ 921.93.084.0	8240	0.16	00+ 923.66.090.0	190	8	00+ 930.76.152.0	8090	33
00+ 921.93.085.0	8240	80	00+ 923.66.090.0	200	9	00+ 930.76.152.0	8096	33
00+ 921.93.087.0	8240	116	00+ 923.66.094.0	240	2	00+ 930.76.152.0	8106	28
00+ 921.93.090.0	8240	79	00+ 923.66.094.0	250	32	00+ 930.76.152.0	8150	38
00+ 921.93.506.0	8240	76	00+ 923.66.098.0	190	6	00+ 930.76.152.0	8156	38
00+ 921.93.510.0	8240	77	00+ 923.66.098.0	200	6	00+ 930.76.152.0	8160	33
00+ 921.93.960.0	8240	0.7	00+ 923.66.115.1	190	4	00+ 930.76.153.0	8090	29
00+ 921.93.970.0	8240	100	00+ 923.66.115.1	200	8	00+ 930.76.153.0	8096	29
00+ 921.93.980.0	8240	0.8	00+ 923.66.210.1	190	1	00+ 930.76.153.0	8106	29
00+ 921.93.985.0	8240	101	00+ 923.66.220.0	190	2	00+ 930.76.153.0	8150	36
00+ 921.96.001.0	8240	94	00+ 923.66.220.0	200	5	00+ 930.76.153.0	8156	36
00+ 921.96.002.0	8240	95	00+ 923.66.300.0	190	0.1	00+ 930.76.153.0	8160	34
00+ 921.96.006.0	8240	78	00+ 923.66.301.0	350	0.1	00+ 930.76.154.0	8150	35
00+ 923.40.118.0	210	1	00+ 929.10.010.1	8090	2	00+ 930.76.154.0	8156	35
00+ 923.40.118.0	220	3	00+ 929.10.010.1	8096	2	00+ 930.76.154.0	8160	31
00+ 923.40.255.0	210	2	00+ 929.10.010.1	8106	1	00+ 930.76.154.0	8166	31
00+ 923.64.001.0	210	0.1	00+ 929.10.010.1	8150	2	00+ 930.76.160.0	8090	32
00+ 923.64.020.0	400	1	00+ 929.10.010.1	8156	2	00+ 930.76.160.0	8096	32
00+ 923.64.025.0	400	2	00+ 929.10.010.1	8160	1	00+ 930.76.160.0	8106	27
00+ 923.64.035.0	210	3	00+ 929.10.010.1	8166	1	00+ 930.76.160.0	8150	37
00+ 923.64.091.0	240	1	00+ 930.20.160.0	8150	33	00+ 930.76.160.0	8156	37
00+ 923.64.125.0	210	4	00+ 930.20.160.0	8156	33	00+ 930.76.160.0	8160	32
00+ 923.64.476.0	460	7	00+ 930.20.160.0	8160	29	00+ 930.76.201.0	8090	0.1
00+ 923.65.001.1	200	0.1	00+ 930.20.160.0	8166	29	00+ 930.76.221.0	8090	5
00+ 923.65.010.1	400	3	00+ 930.76.005.1	8090	1	00+ 930.76.230.0	8090	7
00+ 923.65.050.1	400	0.1	00+ 930.76.005.1	8150	1	00+ 930.77.005.1	8096	1
00+ 923.66.002.0	220	0.1	00+ 930.76.005.1	8160	3	00+ 930.77.005.1	8106	3
00+ 923.66.003.0	230	0.1	00+ 930.76.010.0	8090	3	00+ 930.77.005.1	8156	1
00+ 923.66.005.0	240	0.1	00+ 930.76.010.0	8150	3	00+ 930.77.005.1	8166	3
00+ 923.66.005.0	250	0.2	00+ 930.76.010.0	8160	4	00+ 930.77.010.0	8096	3
00+ 923.66.006.1	250	0.1	00+ 930.76.020.0	8166	5	00+ 930.77.010.0	8106	4
00+ 923.66.010.0	190	3	00+ 930.76.030.0	8150	7	00+ 930.77.010.0	8156	3
00+ 923.66.015.0	190	13	00+ 930.76.033.0	8160	6	00+ 930.77.010.0	8166	4
00+ 923.66.015.0	200	3	00+ 930.76.035.0	8090	8	00+ 930.77.030.0	8156	7
00+ 923.66.025.0	230	4	00+ 930.76.035.0	8150	8	00+ 930.77.033.0	8166	6
00+ 923.66.026.2	250	1	00+ 930.76.037.0	8160	7	00+ 930.77.035.0	8096	8
00+ 923.66.029.0	190	9	00+ 930.76.101.0	8150	0.1	00+ 930.77.035.0	8156	8
00+ 923.66.029.0	200	7	00+ 930.76.103.0	8160	0.1	00+ 930.77.037.0	8106	7
00+ 923.66.032.0	250	2	00+ 930.76.120.0	8150	0.2	00+ 930.77.037.0	8166	7
00+ 923.66.035.0	190	10	00+ 930.76.120.1	8150	0.3	00+ 930.77.101.0	8156	0.1
00+ 923.66.047.0	350	0.2	00+ 930.76.121.0	8150	5	00+ 930.77.103.0	8166	0.1
00+ 923.66.050.0	230	3	00+ 930.76.122.0	8150	42	00+ 930.77.120.0	8156	0.2
00+ 923.66.055.0	190	5	00+ 930.76.127.0	8090	6	00+ 930.77.120.1	8156	0.3
00+ 923.66.055.0	200	4	00+ 930.76.127.0	8150	6.1	00+ 930.77.121.0	8156	5
00+ 923.66.060.0	220	1	00+ 930.76.127.0	8160	8	00+ 930.77.121.0	8166	9
00+ 923.66.070.0	220	2	00+ 930.76.140.0	8150	0.4	00+ 930.77.122.0	8156	42
00+ 923.66.080.0	230	2	00+ 930.76.151.0	8150	31	00+ 930.77.127.0	8096	6



Part number	Table	Pos	Part number	Table	Pos	Part number	Table	Pos
00+ 930.77.127.0	8106	8	00+ 959.60.031.0	10	21	00+ 983.30.060.2	120	1
00+ 930.77.127.0	8156	6	00+ 959.60.032.0	10	22	00+ 983.30.110.4	90	1
00+ 930.77.127.0	8166	8	00+ 959.60.045.1	10	0.2	00+ 983.30.110.4	130	1
00+ 930.77.201.0	8096	0.1	00+ 959.60.046.0	10	54	00+ 983.30.125.0	90	2
00+ 930.77.203.0	8106	0.1	00+ 959.60.050.1	10	42	00+ 983.30.125.0	110	2
00+ 930.77.221.0	8096	5	00+ 959.60.065.1	10	55	00+ 983.30.125.0	130	2
00+ 930.77.221.0	8106	9	00+ 959.60.070.0	390	0.1	00+ 983.30.125.0	140	2
00+ 930.77.230.0	8096	7	00+ 959.60.071.0	390	1	00+ 983.36.001.0	100	0.2
00+ 930.77.233.0	8106	6	00+ 959.60.080.0	10	43	00+ 983.36.001.0	170	0.2
00+ 930.82.118.0	8090	4	00+ 959.60.435.0	10	23	00+ 983.36.015.1	100	22
00+ 930.82.118.0	8096	4	00+ 959.61.002.2	60	9	00+ 983.36.015.1	170	2
00+ 930.82.118.0	8106	2	00+ 959.61.002.2	70	4	00+ 983.36.019.1	100	5
00+ 930.82.118.0	8150	4	00+ 959.61.085.0	60	10	00+ 983.36.019.1	120	5
00+ 930.82.118.0	8156	4	00+ 959.62.040.0	80	1	00+ 983.36.019.1	150	5
00+ 930.82.118.0	8160	2	00+ 959.62.100.1	80	2	00+ 983.36.019.1	170	3
00+ 930.82.118.0	8166	2	00+ 959.62.115.1	80	0.1	00+ 983.36.025.0	90	3
00+ 930.82.118.1	8090	4.1	00+ 981.60.096.0	60	61	00+ 983.36.025.0	100	3
00+ 930.82.118.1	8096	4.1	00+ 981.85.002.0	481	0.1	00+ 983.36.025.0	110	3
00+ 930.82.118.1	8106	2.1	00+ 981.85.021.0	481	2	00+ 983.36.025.0	120	3
00+ 930.82.118.1	8150	4.1	00+ 981.85.021.1	481	2.1	00+ 983.36.025.0	130	3
00+ 930.82.118.1	8156	4.1	00+ 981.85.025.0	481	3	00+ 983.36.025.0	140	3
00+ 930.82.118.1	8160	2.1	00+ 981.85.026.0	481	4	00+ 983.36.025.0	150	3
00+ 930.82.118.1	8166	2.1	00+ 981.85.030.0	481	5	00+ 983.36.035.1	90	4
00+ 942.84.001.1	180	61	00+ 981.85.035.0	481	4.1	00+ 983.36.035.1	100	4
00+ 942.84.002.1	180	62	00+ 981.85.041.0	482	1	00+ 983.36.035.1	110	4
00+ 952.85.031.0	481	1.1	00+ 981.85.045.0	482	2	00+ 983.36.035.1	120	4
00+ 952.85.145.0	481	1	00+ 981.85.046.0	482	3	00+ 983.36.035.1	130	4
00+ 955.60.055.2	10	41	00+ 981.85.050.0	482	0.1	00+ 983.36.035.1	140	4
00+ 955.60.062.0	60	7	00+ 982.36.040.0	150	0.2	00+ 983.36.035.1	150	4
00+ 955.61.004.2	70	1	00+ 982.36.042.0	130	21	00+ 983.36.035.1	160	1
00+ 955.61.006.1	190	7	00+ 982.36.042.0	140	21	00+ 983.36.035.1	170	1
00+ 955.61.006.1	200	2	00+ 982.36.042.0	150	21	00+ 983.36.101.0	90	0.2
00+ 955.61.075.0	60	51	00+ 982.36.050.0	170	0.3	00+ 983.36.115.1	90	22
00+ 955.61.078.0	60	6	00+ 983.26.001.2	410	0.1	00+ 983.36.115.1	160	2
00+ 955.61.090.0	60	41	00+ 983.26.005.3	410	1	00+ 983.36.119.1	90	5
00+ 955.62.035.0	70	3	00+ 983.26.010.4	410	2	00+ 983.36.119.1	110	5
00+ 957.05.002.1	180	2	00+ 983.26.015.1	410	3	00+ 983.36.119.1	130	5
00+ 957.05.004.0	180	28	00+ 983.26.025.1	410	4	00+ 983.36.119.1	140	5
00+ 957.05.005.0	180	3	00+ 983.26.025.1	420	3	00+ 983.36.119.1	160	3
00+ 957.05.031.0	180	29	00+ 983.26.030.1	410	5	00+ 983.37.009.0	190	0.2
00+ 957.05.036.1	180	7	00+ 983.26.030.1	420	4	00+ 983.37.010.0	290	1
00+ 959.11.030.0	50	0.2	00+ 983.26.035.0	410	6	00+ 983.37.011.0	290	2
00+ 959.11.031.0	50	10	00+ 983.26.035.0	420	5	00+ 983.37.012.0	190	31
00+ 959.11.050.0	40	0.1	00+ 983.30.010.4	100	1	00+ 983.37.012.0	290	3
00+ 959.11.051.0	40	2	00+ 983.30.010.4	150	1	00+ 983.37.012.0	300	2
00+ 959.11.057.0	40	3	00+ 983.30.025.0	100	2	00+ 983.37.012.0	310	3
00+ 959.11.061.0	40	4	00+ 983.30.025.0	120	2	00+ 983.37.012.0	320	2
00+ 959.11.065.0	40	5	00+ 983.30.025.0	150	2	00+ 983.37.012.0	350	5
00+ 959.11.067.0	40	6	00+ 983.30.040.2	110	1	00+ 983.37.020.0	300	1
00+ 959.60.024.0	10	53	00+ 983.30.040.2	140	1	00+ 983.37.110.0	310	1

## Index

Part number	Table	Pos	Part number	Table	Pos	Part number	Table	Pos
00+ 983.37.111.0	310	2	00+ 983.79.100.0	370	0.1	00+9831.36.019.0	150	6
00+ 983.37.120.0	320	1	00+ 983.79.110.0	380	0.1	00+9831.36.119.0	90	6
00+ 983.60.003.0	50	2	00+ 983.79.275.0	360	1	00+9831.36.119.0	110	6
00+ 983.60.025.0	50	0.1	00+ 983.87.001.0	410	31	00+9831.36.119.0	130	6
00+ 983.60.072.0	390	2	00+ 983.87.002.0	410	41	00+9831.36.119.0	140	6
00+ 983.60.073.0	390	3	00+ 983.87.101.0	410	51	00+9831.61.030.0	70	8.1
00+ 983.60.075.0	390	4	00+ 983.87.102.0	410	61	00+9831.61.035.0	70	3.1
00+ 983.60.091.0	60	8	00+ 983.90.011.0	520	0.1	00+9841.30.001.0	150	0.1
00+ 983.60.095.0	60	0.2	00+ 983.90.021.0	490	0.4	00+9841.30.030.0	140	0.1
00+ 983.60.430.0	10	0.3	00+ 983.90.031.0	490	0.2	00+9841.30.101.0	130	0.1
00+ 983.60.440.0	10	24	00+ 983.90.101.0	490	0.1	00+9881.37.014.0	290	0.1
00+ 983.60.600.3	60	0.1	00+ 983.95.001.0	500	0.1	00+9881.37.015.0	300	0.1
00+ 983.60.621.0	60	11	00+ 983.95.100.0	510	0.1	00+9881.37.050.0	330	0.1
00+ 983.60.622.0	60	13	00+ 983.95.110.0	510	1	00+9881.37.051.0	340	0.1
00+ 983.60.625.0	60	3	00+ 984.05.001.1	180	0.1	00+9881.37.114.0	310	0.1
00+ 983.60.630.0	60	2	00+ 984.05.003.1	180	1	00+9881.37.115.0	320	0.1
00+ 983.60.637.0	60	5	00+ 984.05.005.0	180	8	00+9881.50.050.0	260	0.1
00+ 983.60.638.0	60	4	00+ 984.05.010.1	180	4	00+9881.50.100.0	20	0.1
00+ 983.60.715.1	60	1	00+ 984.05.025.1	180	5	00+9881.50.200.0	30	0.1
00+ 983.61.003.0	10	1	00+ 984.05.035.0	180	6	00+9881.60.010.0	10	0.4
00+ 983.61.003.0	70	2	00+ 984.26.001.1	420	0.1	00+9881.60.100.0	10	0.1
00+ 983.61.009.0	70	5	00+ 984.26.010.1	420	2	00+9881.63.021.0	260	35
00+ 983.61.055.0	70	6	00+ 984.26.030.0	420	1	00+9881.84.007.0	330	2
00+ 983.61.061.0	70	7	00+ 984.36.001.0	170	0.1	00+9881.84.007.0	340	2
00+ 983.61.100.3	70	0.1	00+ 984.36.045.0	150	0.3	00+9881.84.007.0	350	9
00+ 983.61.215.0	90	7	00+ 984.36.045.0	170	0.4	00+9881.84.009.0	190	21
00+ 983.61.215.0	100	7	00+ 984.36.046.0	150	41	00+9881.84.009.0	200	1
00+ 983.61.215.0	110	7	00+ 984.36.046.0	170	31	00+9881.90.901.0	490	4
00+ 983.61.215.0	120	7	00+ 984.36.101.0	160	0.1	00+9981.60.005.0	10	52
00+ 983.61.215.0	130	7	00+ 984.36.130.1	140	0.2	06+ 00888	250	3
00+ 983.61.215.0	140	7	00+ 984.36.140.0	130	0.2	33+ 356A4000	470	5
00+ 983.61.215.0	150	7	00+ 984.36.145.0	130	0.3	33+ 388B0000	470	4
00+ 983.61.630.3	70	8	00+ 984.36.145.0	140	0.3	33+ 395A0000	470	0.2
00+ 983.63.035.0	260	0.2	00+ 984.36.145.0	160	0.3	33+ 395A1000	470	1
00+ 983.63.035.0	260	36	00+ 984.36.146.0	130	41	33+ 395A5100	470	2
00+ 983.67.030.0	270	1	00+ 984.36.146.0	140	41	33+ 395A5400	470	3
00+ 983.79.001.2	360	0.1	00+ 984.36.146.0	160	31	33+ 406A3000	470	11
00+ 983.79.002.1	360	0.2	00+ 984.36.150.0	160	0.2	33+ 406A2000.0	470	10
00+ 983.79.031.1	360	2	00+ 984.90.101.0	490	0.3	45+ 099661	9000	16
00+ 983.79.032.0	360	6	00+ 984.95.001.0	500	0.2	45+ 102966	9000	36
00+ 983.79.050.0	360	3	00+ 988.84.150.0	20	10	45+ 304291	9000	37
00+ 983.79.063.0	360	5	00+ 988.84.150.0	30	10	67+ 53387	8150	9
00+ 983.79.065.0	360	41	00+2091.96.100.0	490	0.5	67+ 53387	8150	45
00+ 983.79.072.0	360	4	00+9752.85.216.0	481	6	67+ 63388	8150	46
00+ 983.79.074.0	370	1	00+9831.30.001.0	100	0.1	67+ 053387	8090	9
00+ 983.79.074.0	380	1	00+9831.30.030.0	110	0.1	67+ 063388	8096	9
00+ 983.79.075.0	370	2	00+9831.30.050.0	120	0.1	67+ 063388	8156	9
00+ 983.79.076.0	380	2	00+9831.30.101.0	90	0.1	67+ 073055	8096	5.1
00+ 983.79.077.0	370	10	00+9831.36.019.0	100	6	67+ 073080	8160	9
00+ 983.79.077.0	380	10	00+9831.36.019.0	120	6	67+ 53090F	8150	6

Part number	Table	Pos
67+ 1601869	8160	20
67+ 1601874	8096	25
67+ 1601874	8106	20
67+ 1601875	8090	25
67+ 1601875	8150	25
67+ 1601875	8156	25
67+ 1601875	8166	20
67+ 9027388	8150	41
67+ 9027389	8156	41
67+ 073081.0001	8156	5.1
67+ 073081.0001	8166	9.1
79+ 9001.59.40	330	1
79+ 9001.59.40	340	1
79+ 9001.59.40	350	8
80+ 001847Z	8240	2
80+ 001849Z	8240	3
88+ 8.8.8.01246	9000	28



## **PÖTTINGER Service and Support Centres**

### **Österreich**

PÖTTINGER Landtechnik GmbH  
Industriegelände 1  
4710 Grieskirchen  
Phone +43 7248 600-0  
Fax +43 7248 600-2513  
info@poettinger.at

### **Deutschland**

PÖTTINGER Deutschland GmbH  
Servicecenter Landsberg  
Spöttinger Straße 24  
86899 Landsberg am Lech  
Phone +49 8191 9299-0  
Fax +49 8191 59656  
info@poettinger.at

PÖTTINGER Deutschland GmbH  
Verkaufs- und Servicecenter Recke  
Steinbecker Straße 15  
49509 Recke  
Phone +49 5453 9114-0  
Fax +49 5453 9114-14

### **France**

PÖTTINGER France S.a.r.l.  
La Chapelle 129b  
68650 Le Bonhomme  
Phone +33 389 472830  
Fax +33 389 472839  
france@poettinger.at

### **Italia**

POETTINGER Italia s.r.l.  
Via E. Fermi 6  
29010 San Pietro in Cerro/PC  
Phone +39 0523 838012  
Fax +39 0523 838253

**Polska**

PÖTTINGER Polska

Poladowo 70

64-030 Smigiel

**United Kingdom**

Alois PÖTTINGER UK Ltd.

St. Marks Road 15

NN18AN Corby

Phone +44 1536 272220

Fax +44 1536 206220

info.uk@pottingeruk.co.uk

**Ireland**

POETTINGER Ireland Ltd.

Cashel road, Clonmel

Co. Tipperary

Phone +353 52 6125766

**Україна**

PÖTTINGER Ukraine

Prywokzalna vulitsa 50, Office 215

08300 Boryspil

Phone +38 04595 710 42

**Россия**

ООО "POETTINGER"

Bachruschin Str. 32/1

115054 Moskau

Phone +7 495 646 89 15

Fax +7 495 646 89 16

info.ru@poettinger.ru

**Canada**

POETTINGER Canada Inc.

650 Route 112

J0L 1T0 St. Cesaire

Phone +1 450 469 5594

Fax +1 866 417 1683

**United States**

POETTINGER US, Inc.  
393 Pilot drive  
46383 Valparaiso/IN  
Phone +1 219 510 5534  
Fax +1 219 707 5412

POETTINGER US, Inc.  
West Iona Ave  
93245 Lemoore/CA

**Australia**

POETTINGER Australia PTY LTD  
15, Fordson Street  
3061 Campbellfield/VIC  
Phone +61 3 9359 2969

## **PÖTTINGER Service Partners**

A worldwide network of well established Service Specialist Centres is at your disposal. This regional proximity guarantees the prompt supply of spare parts, enables optimum product handover and parameterisation of machines through competent personnel.

### **Our service features include:**

- Expertise through the regular training of professional personnel.
- 24 hour online ordering service for ORIGINAL INSIDE replacement parts.
- Long-term availability of replacement parts.
- And much more ...

Contact your local Service Specialist Centre or go to [www.poettinger.at](http://www.poettinger.at)