



**ALPHABETICAL INDEX**

**1**

**2**

ACCESSORIES AND APPLICATION MISCELLANEOUS

AUXILIARY DISTRIBUTOR KIT - 2nd DISTRIBUTOR	340
AUXILIARY DISTRIBUTOR KIT - 2nd DISTRIBUTOR	342
GEARBOX KIT - CREEPER - CONTROL	343
GEARBOX KIT - CREEPER - CONTROL	344

ACCESSORIES MECHANICAL

WEIGHT FRAME AND WEIGHTS - FRONT HOOK	330
DRAWBAR "CUNA" CAT."A"	332
HOOK PULL - REAR	333
REAR HOOK PULL	334
SUPPORT LEVER WITH TRAILOR BRAKING	335
TRAVERSE DRAWBAR	336
WARNING BEACON - TRIANGLE AND LICENCE PLATE	337
TOOL KIT - FITTINGS	338

ENGINE

ENGINE ASSEMBLY	1
SHORT ENGINE	2
CYLINDER BLOCK	3
CRANKSHAFT,PISTONS AND CONNECTING RODS	5
CYLINDER HEAD	8
ROCKER SHAFT	11
TIMING GEAR AND CAMSHAFT	13
OIL PUMP	17
FUEL INJECTION EQUIPMENT (DIESEL)	18
LUBRICATING OIL SUMP	20
LUBRICATING OIL FILLER AND BREATHER	22
HEAT EXCHANGER AND LUBRICATING OIL FILTER	25
WATER PUMP, THERMOSTAT AND HEAT EXCHANGER	27

EXHAUST MANIFOLD	29
ASPIRATION PUMP	30
FUEL PIPINGS	31
TURBOCHARGER	32
FUEL PIPINGS	33
ENGINE MAINTENANCE KIT	34

ENGINE ANCILLARY EQUIPMENT

ALTERNATOR	35
ALTERNATOR POSITIONER	36
STARTER MOTOR	37
COOLING SYSTEM - RADIATOR AND BRACKET	38
DRY AIR FILTER - DUAL ELEMENT	39
DRY AIR FILTER - DUAL ELEMENT	41
COOLING SYSTEM - RADIATOR AND BRACKET	42
COOLING SYSTEM - RADIATOR AND BRACKET	43
FUEL TANK	46
FUEL TANK	49
EXHAUST SYSTEM - "HORIZONTAL"	51
HAND AND FOOT THROTTLE CONTROLS - PITMAN	53
HAND AND FOOT THROTTLE CONTROLS - PITMAN	55
OIL TEMPERATURE	57
HEATER - ENGINE BLOCK	58

FENDERS FOOTSTEPS AND PLATFORM

PLATFORM	285
PLATFORM - INSTRUMENT PANEL	287
PLATFORM - SAFETY FRAME	288
PLATFORM	290
FENDERS AND PLATFORM - FENDER EXTENSION	291

## ALPHABETICAL INDEX

1

3

PLATFORM - INSULATION AND CLADDUING	292	DECALS	273
DRIVER SEAT "MT" WITH MECHANICS SUSPENSION	293	DECALS	276
DRIVER SEAT "MT" WITH MECHANICS SUSPENSION	295	DECALS - HOOD	278
FRONT AXLE AND STEERING		TOOL BOX	279
FRONT WHEELS - HOOPS AND TYRES - 2 WHEEL DRIVE	183	SOUNDPROOFING KIT	280
FRONT WHEELS - HOOPS AND TYRES - 4 WHEEL DRIVE	185	SOUNDPROOFING KIT	281
FRONT AXLE 2 WHEEL DRIVE - AXLE SUPPORT	189	SIDE COVER - SHIELD FAN	283
STEERING HYDRAULIC LINES	193	HYDRAULICS AND LINKAGE	
FRONT AXLE 4 WHEEL DRIVE - HOUSING AND SUPPORTS	195	HYDRAULICS EQUIPMENT - "PIPING AND PUMP"	220
STEERING ORBITROL UNIT "DANFOSS" - 2 WHEEL DRIVE	197	HYDRAULIC PUMP - DOUBLE BODY - "BOSCH"	222
STEERING ORBITROL UNIT "REXROTH" - 2 WHEEL DRIVE	200	HYDRAULICS EQUIPMENT - PIPINGS AND PUMP - HEAT EXCHANGER	223
STEERING ORBITROL UNIT "DANFOSS" - 4 WHEELS DRIVE	201	HYDRAULICS EQUIPMENT - VALVE	225
STEERING ORBITROL UNIT "REXROTH" - 4 WHEEL DRIVE	204	HYDRAULICS EQUIPMENT - "PIPING AND PUMP" - HEAT EXCHANGER	226
FRONT AXLE 4 WHEEL DRIVE	205	STEERING HYDRAULIC LINES	227
FRONT AXLE 4 WHEEL DRIVE - HOUSING AND SUPPORTS	206	HYDRAULIC LIFT - LIFT ARMS - WITH MECANICS RISER	228
FRONT AXLE 4 WHEEL DRIVE - DIFFERENTIAL	207	HYDRAULICS EQUIPMENT - PIPINGS AND PUMP	230
FRONT AXLE 4 WHEEL DRIVE - DIFFERENTIAL	209	HYDRAULIC LIFT - LIFT ARMS - WITH MECANICS RISER	231
FRONT AXLE 4 WHEEL DRIVE - STEERING CYLINDER	213	MECHANICAL CONTROL LIFT - DRAFT , POSITION AND INTERMIX	232
STEERING CYLINDER - 2 WHEEL DRIVE	214	MECHANICAL CONTROL LIFT - DRAFT , POSITION AND INTERMIX	234
STEERING WHEEL AND COLUMN	216	MECHANICAL CONTROL LIFT - DRAFT , POSITION AND INTERMIX	235
FIXED STEERING - COLUMN	217	AUXILIARY HYDRAULIC VALVE LINES - "HIDROIRMA"	236
FENDERS - FRONT	218	AUXILIARY HYDRAULIC VALVE LINES - "HIDROIRMA"	237
FRONT SHEET METAL		HYDRAULIC LIFT VALVE - SENSING DISTRIBUTION DEVICE	238
SHEET METAL - "HOOD" - BONNET SUPPORT	263	HYDRAULIC LIFT - LIFT ARMS - WITH MECANICS RISER	242
SHEET METAL - "HOOD"	265	MECHANISM CONTROL LIFT - DRAFT, POSITION AND INTERMIX	244
SHEET METAL - "HOOD"	267	MECHANISM CONTROL LIFT - DRAFT, POSITION AND INTERMIX	246
PLATFORM - STEP / STAIRS	269	LINKAGE - "STRUT AND LINKAGE" - STANDARD VERSION	248
DECALS	270		

## ALPHABETICAL INDEX

1

4

THREE POINT LINKAGE - 2 CAT - WITH BALL-TYPE FIX	250	LIGHTING EQUIPMENT - LIGHTS	78
THREE POINT LINKAGE - 2 CAT - WITH BALL-TYPE FIX	251	ELECTRICAL EQUIPMENT - LINE CAB - ROOF	80
LINKAGE - "STRUT AND LINKAGE" - WITH QUICK ATTACH	252	LIGHTING EQUIPMENT - WITH CAB	82
CONTROLS ,AUXILIARY HYDRAULICS - AUXILIARIS HYDRAULICS VALVES - WITH 1.O DISTRIBUTOR	253	ELECTRICAL WIRING - PLATFORM	84
CONTROLS ,AUXILIARY HYDRAULICS - AUXILIARIS HYDRAULICS VALVES - WITH 2.O DISTRIBUTORES	254	ELECTRICAL EQUIPMENT - LINE WIRING N.A.O.	85
CONTROLS ,AUXILIARY HYDRAULICS - AUXILIARIS HYDRAULICS VALVES - WITH 1.O DISTRIBUTOR	255	REAR AXLE AND REAR BRAKES	
CONTROLS ,AUXILIARY HYDRAULICS - AUXILIARIS HYDRAULICS VALVES - WITH 2.O DISTRIBUTORES	256	REAR AXLE - DIFFERENTIAL	149
AUXILIARY DISTRIBUTOR	257	DIFFERENTIAL LOCK CONTROLS - HYDRAULIC	152
AUXILIARY DISTRIBUTOR KICK-OUT	258	REAR AXLE - HOUSING AND WHEEL HUB	154
AUXILIARY DISTRIBUTOR KICK-OUT	259	BRAKE AND CONTROLS - PEDALS	158
AUXILIARY STANDARD DISTRIBUTOR	260	BRAKE AND CONTROLS - PEDALS - DEVICE	159
AUXILIARY FLOATING DISTRIBUTOR	261	BRAKES - PEDALS AND LINKAGE - "HYDRAULIQUE" CONTROL	162
AUXILIARY DISTRIBUTOR KICK-OUT	262	BRAKES - "HANDBRAKE"	164
LIGHTING EQUIPMENT		BRAKES - "HANDBRAKE"	166
BATTERY AND SUPPORT - FASTENING	59	REAR AND FRONT BRAKES - PIPINGS - FRONT PIPES	168
LIGHTING EQUIPMENT - REAR LIGHT	61	BRAKE CYLINDER	171
INSTRUMENT PANEL - EQUIPMENT INSTRUMENT	62	REAR WHEELS - HOOPS AND TYRES	172
ELECTRICAL WIRING - REAR	63	REAR WHEELS - HOOPS AND TYRES	177
ELECTRICAL WIRING - REAR	65	REAR WHEELS - HOOPS AND TYRES	178
ELECTRICAL WIRING - FRONT	66	TRAILER BRAKES - PIPES AND FITTINGS	179
ELECTRICAL WIRING - FRONT	67	TRAILER BRAKES - PIPES AND FITTINGS	181
ELECTRICAL EQUIPMENT - LINE FRONT LIGHTS	69	TRACTOR CAB	
ELECTRICAL EQUIPMENT - LINE INSTRUMENT PANEL	70	TRACTOR CAB - KIT - MIRROR	296
ROTATING LIGHT - PLATFORM	72	TRACTOR CAB - ROOF - CLADDING PANEL	298
ROTATING LIGHT - FOR CAB	73	TRACTOR CAB - WINDSCREEN	300
LIGHTING EQUIPMENT - LIGHTS	74	CAB - DOORS	302
		TRACTOR CAB - WINDOWS - REAR	305

## ALPHABETICAL INDEX

1

5

TRACTOR CAB - AIR CONDITIONER - COMPRESSOR AND CONDENSER	307	TRANSMISSION - "SYNCHRO"	109
TRACTOR CAB - ROOF - CLADDING PANEL	308	SHIFT LEVERS - RODS AND YOKES	110
TRACTOR CAB - INSULATION AND CLADDUING	310	REDUCER CONTROL "OPTIONS" - REDUCTION RATIO 5,3 : 1	112
TRACTOR CAB - VISOR CURTAINS KIT	312	TRANSMISSION - "HOUSING" - HOUSING AND COVER	117
TRACTOR CAB - PANELS	313	MECHANICAL MANUAL SHUTTLE - CONTROL	119
TRACTOR CAB - SOPPORTS	314	LOWER CLUTCH "P.T.O."	121
TRACTOR CAB - WINDSCREEN WIPER	315	PTO-CONTROL - HAND MECHANICAL CONTROL	123
TRACTOR CAB - AIR CONDITIONER - CAB HEATER - KIT	317	PTO-CONTROL - SELECTOR 540-750-1000 R.P.M.	124
TRACTOR CAB - AIR CONDITIONER - CAB HEATER - KIT	319	TRANSFER GEAR BOX AND DRIVE SHAFT: OUTPUT SHAFT	126
TRACTOR CAB - AIR CONDITIONER - COMPRESSOR AND CONDENSER	320	PTO SHAFT - SELECTOR 540/750/1000 R.P.M.	130
CAB - INSULATION AND CLADDUING	322	POWER TAKE-OFF SHAFT GUARDS	133
TRACTOR CAB - KIT	323	MECHANICAL MANUAL SHUTTLE - CONTROL	134
DRIVER SEAT "MT" WITH MECHANICS SUSPENSION	324	MECHANICAL MANUAL SHUTTLE - CONTROL	136
DRIVER SEAT "MT" WITH MECHANICS SUSPENSION	326	TRANSFER GEAR BOX AND DRIVE SHAFT: 4 WHEEL DRIVE	137
DRIVER SEAT "MT" WITH MECHANICS SUSPENSION	327	TRANSFER GEAR BOX AND DRIVE SHAFT	138
DRIVER SEAT "MT" WITH MECHANICS SUSPENSION	329	CREEPER GEARBOX CONTROL	140
TRANSMISSION		PTO-CONTROL - SELECTOR 540-750-1000 R.P.M.	142
CLUTCH - DUAL CLUTCH "LUK" - 11"	86	GEAR BOX: CONTROLS - RODS AND YOKES	143
CLUTCH PEDAL AND LINKAGE - CLUTCH COLLAR	88	CREEPER GEARBOX CONTROL	145
CLUTCH PEDAL AND LINKAGE	91	TRANSMISSION - "OUTPUT SHAFT"	146
LOWER CLUTCH "P.T.O."	93	TRANSMISSION - MOTOR AXLE GEARBOX	148
FRONT CENTRE HOUSING AND FLANGE - DRIVE SHAFT TO TRANS. CASE - CLUTCH BOX	95		
TRANSMISSION - "OUTPUT SHAFT"	96		
TRANSMISSION - "COUNTERSHAFT"	99		
TRANSMISSION - "SYNCHRO"	106		
TRANSMISSION - "SYNCHRO"	107		
TRANSMISSION - "SYNCHRO"	108		

ENGINE

A-05  
01

ENGINE ASSEMBLY

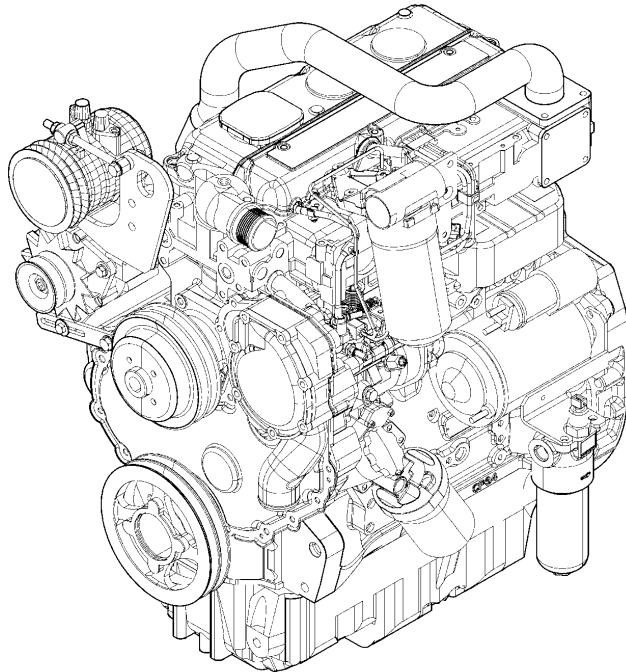
Rex Tier 2 fp/cab  
desp. 80 F/GE



A0501

- |   |            |                                 |          |
|---|------------|---------------------------------|----------|
| 1 | 3670564M93 | "PERKINS -<br>DD81438"<br>55 KW | 1 ENGINE |
|---|------------|---------------------------------|----------|

1



ENGINE

A-05  
011

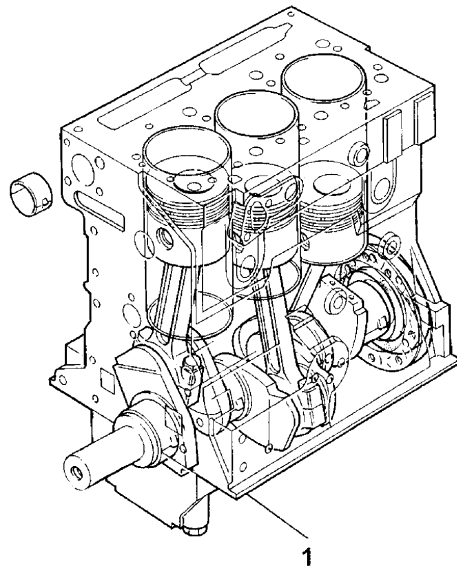
SHORT ENGINE

Rex Tier 2 fp/cab  
desp. 80 F/GE



A05011

4-ACHL-032-A



1 DD39165

T-A 25:0

1 ENGINE

T-A

Replacement

**ENGINE**

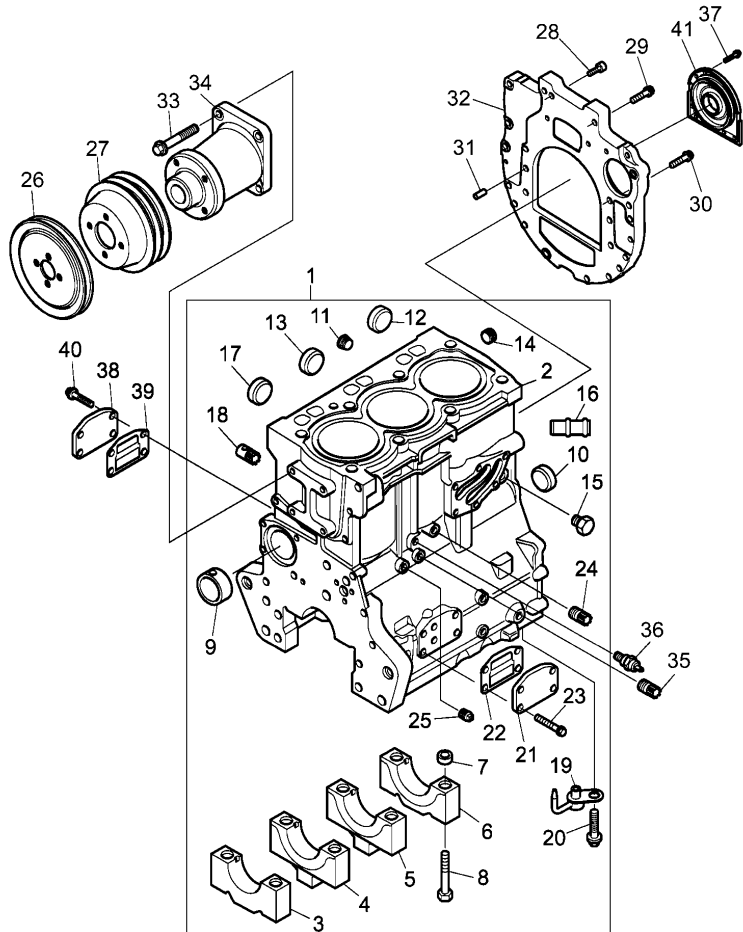
**A-05  
02**

**CYLINDER BLOCK**



A0502

Rex Tier 2 fp/cab  
desp. 80 F/GE



1	4181V016		1	CYLINDER
2		! 1	1	CYLINDER
3		! 1	1	BEARING
4		! 1	1	BEARING
5		! 1	1	BEARING
6		! 1	1	BEARING
7	33142111	! 1	8	MANICOTT
8	32166329	! 1	8	SCREW
9	3112D071	! 1	1	BUSH
10	3241A012	! 1	1	PLUG
11	0650588	! 1	1	PLUG
12	0650710	! 1	1	PLUG
13	3241A011	! 1	2	PLUG
14	3212P008	! 1	1	PLUG
15	32141316	! 1	1	PLUG
16	3313A022	! 1	1	PIPE
17	2485A108	! 1	1	PLUG
18	3212V006	! 1	1	PLUG
19	2113A001	● 2113A003 (3)	3	ATOMISER
20	2314F001	! 1	3	SCREW
21	3623A009	! 1	2	PLATE
22	3688A039	! 1	2	GASKET



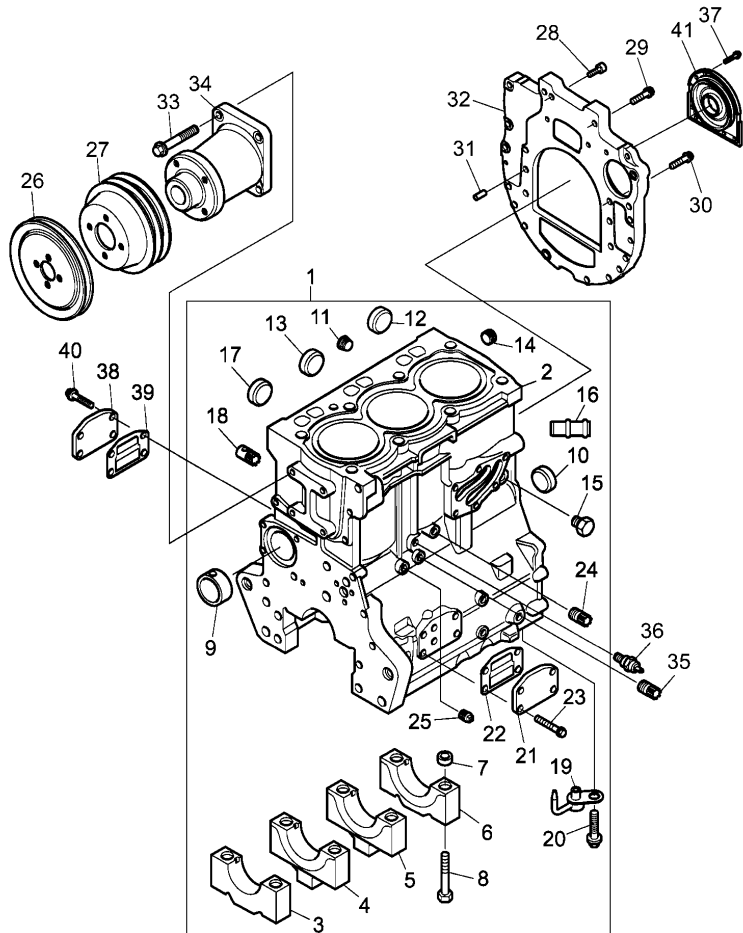
ENGINE

**A-05  
02**

CYLINDER BLOCK

Rex Tier 2 fp/cab desp. 80 F/GE

A0502

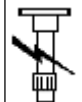


23	2314H033	!	1	8	SCREW
24	3212V005	!	1	1	PLUG
25	0650594	!	1	1	PLUG
26	3114X191			1	PULLEY
27	3115C113		T-A 2:0	1	PULLEY
28	2311D105		T-A 2:0	1	SCREW
29	2314J607			1	SCREW
30	2314J203			6	SCREW
31	0350025			2	DOWEL
32	3714A062			1	PLATE
33	2314J005		T-A 6:0	4	SCREW
34	4113K005			1	HOUSING
35	3212V005		T-A 2:0	1	PLUG
36	2848062	●	4172E054 (1)	1	SWITCH
37	3211C002		T-A 0:25	10	SCREW
38	3623A009			1	PLATE
39	3688A039		T-A 0:50	1	GASKET
40	2314H033		T-A 0:50	4	SCREW
41	2418F704			1	HOUSING
			T-A 11:0		
!	THIS IS A COMPONENT OF AN ASSEMBLY				
▶	NOT SERVICED, ORDER				
T-A	Replacement				

**ENGINE**

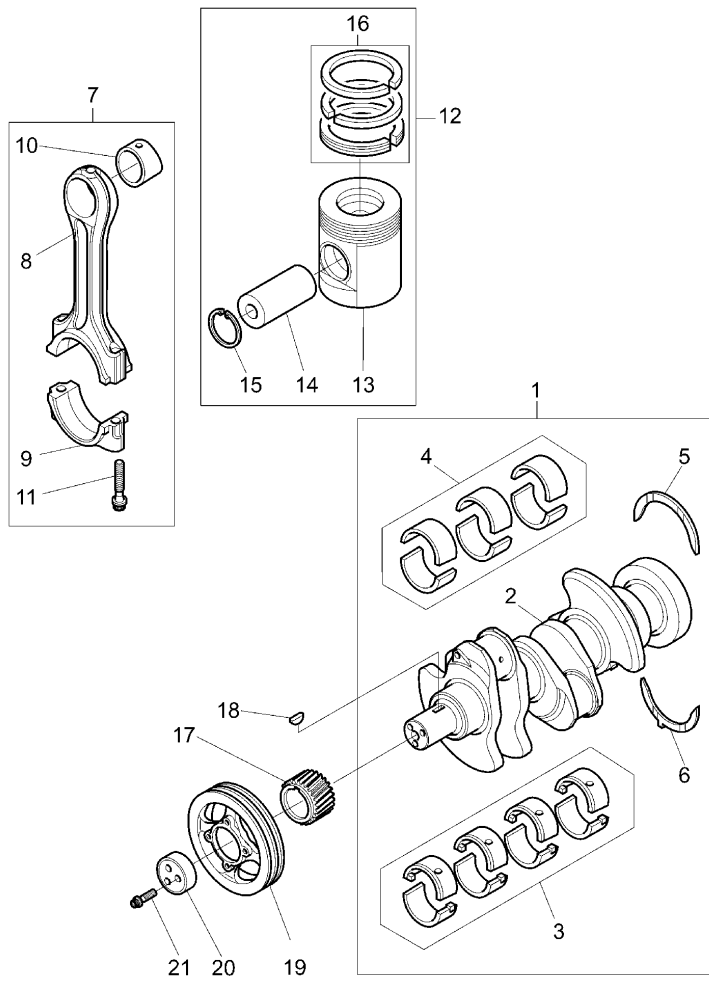
**A-05  
03**

**CRANKSHAFT, PISTONS AND CONNECTING RODS**



A0503

**Rex Tier 2 fp/cab desp. 80 F/GE**

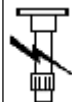


1	4181V017		1	SHAFT
2		! 1	1	CRANKSHAFT
3	U5MB0019	! 1	1	KIT
4	U5ME0018	! 1	1	KIT
5	31137312	! 1	2	RING
		▲ (+)0.007"		
		▼ T-A 18:50		
5	31137551	! 1	2	WASHER
		T-A 18:50		
6	31137322	! 1	2	RING
		▲ (+)0.007"		
		▼ T-A 18:50		
6	31137561	! 1	2	WASHER
		T-A 18:50		
7	4115C311	F	3	KIT
		T-A 17:0		
7	4115C312	E	3	KIT
		T-A 17:0		
7	4115C313	D	3	KIT
		T-A 17:0		

ENGINE

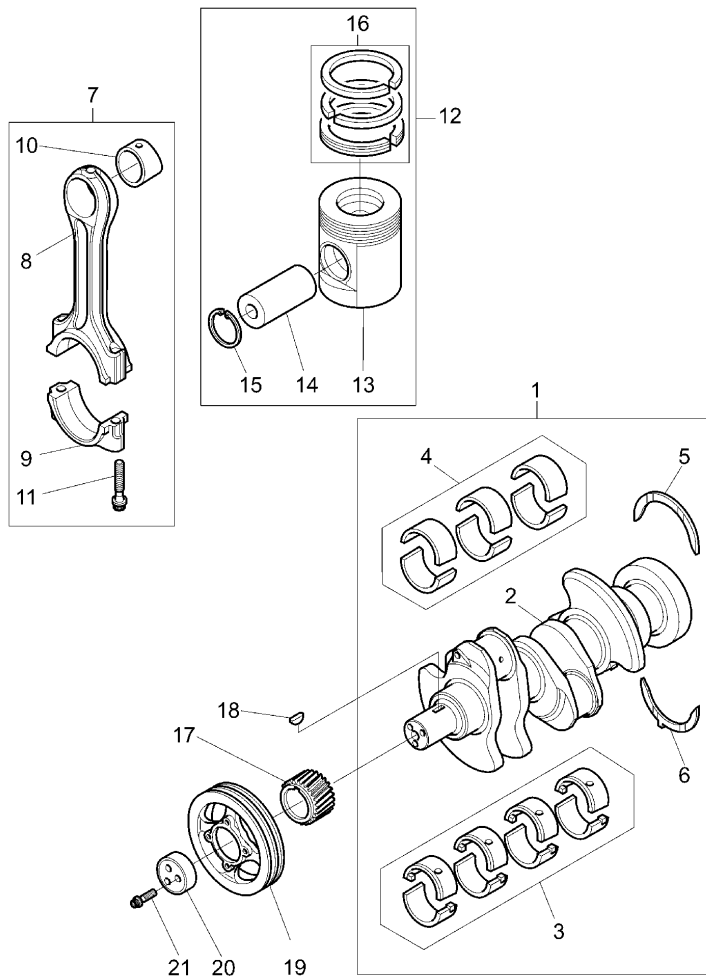
A-05  
03

CRANKSHAFT, PISTONS AND CONNECTING RODS



A0503

Rex Tier 2 fp/cab  
desp. 80 F/GE

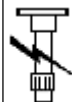


7	4115C314	C	3	KIT
		T-A 17:0		
7	4115C315	B	3	KIT
		T-A 17:0		
7	4115C316	A	3	KIT
		T-A 17:0		
8		!	7	1 CONROD
		➡	REF.N.7	
9		!	7	1 GUARD
		➡	REF.N.7	
10	3112A005	!	7	1 BUSH
			T-A 17:0	
11	3212V003	!	7	2 SCREW
12	4115P015			3 KIT
			T-A 17:0	
13		!	12	1 PISTON
		➡	4115P015	
14		!	12	1 PIN
		➡	4115P015	
15	2721332	!	12	2 RING
16	UPRK0002	!	12	1 KIT
			(X) 0.1.3.5	
			T-A 17:0	
17	3117C221			1 GEAR
			T-A 13:0	
18	0500012			1 KEY
			T-A 13:0	

ENGINE

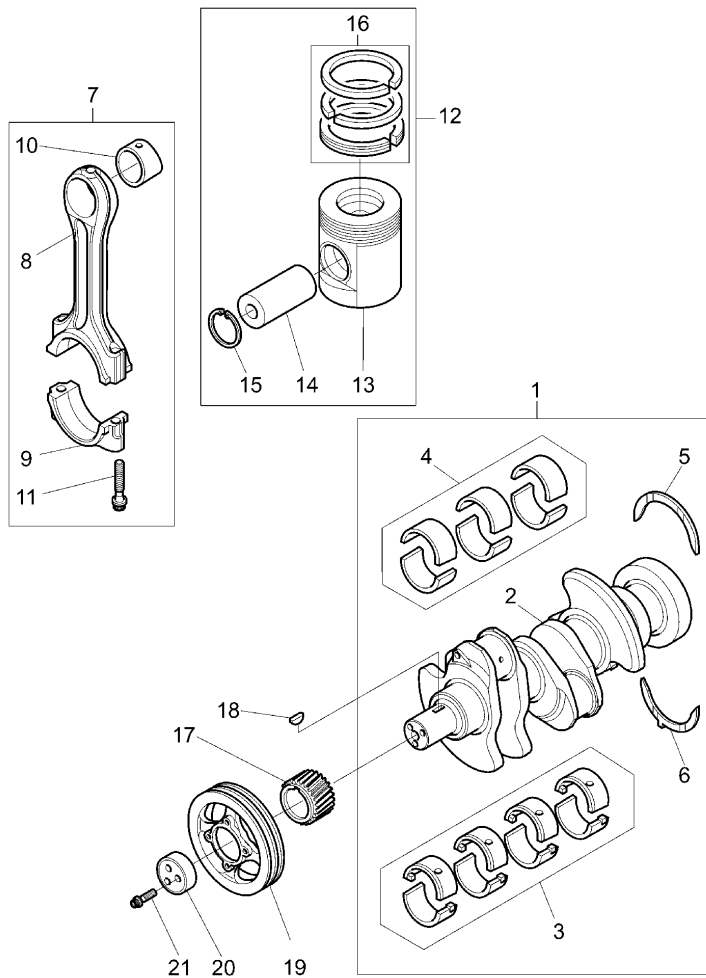
A-05  
03

CRANKSHAFT, PISTONS AND CONNECTING RODS



A0503

Rex Tier 2 fp/cab  
desp. 80 F/GE



- |     |   |         |   |        |
|-----|---|---------|---|--------|
| 19  | 3115T051  |         | 1 | PULLEY |
| 20  | 3241N001  | T-A 2:0 | 1 | BLOCK  |
| 21  | 32186137  | T-A 2:0 | 3 | SCREW  |
| !   | THIS IS A COMPONENT OF AN ASSEMBLY  |         |   |        |
| ▶   | NOT SERVICED, ORDER   |         |   |        |
| A   | BLUE  |         |   |        |
| ▲   | SHIM  |         |   |        |
| B   | PURPLE  |         |   |        |
| C   | GREEN   |         |   |        |
| D   | WHITE   |         |   |        |
| E   | ORANGE  |         |   |        |
| F   | RED   |         |   |        |
| T-A | Replacement   |         |   |        |
| (X) | QTY PER TRACTORS SOLD (AA.BBB.CCC.DDD) (AA) FOR<br>1,(BBB) 2-10 (CCC) 11-25 (DDD) 26-50 |         |   |        |

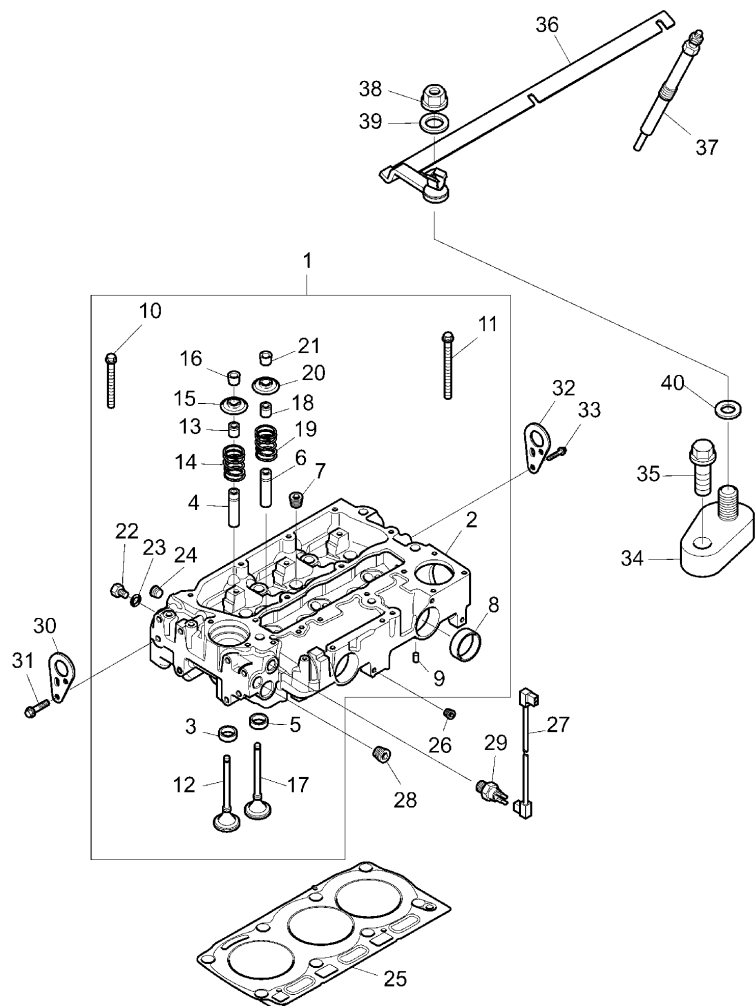
ENGINE

A-05  
04

CYLINDER HEAD

Rex Tier 2 fp/cab  
desp. 80 F/GE

A0504



1	4181V015	●	4181V041 (1)	1	HEAD
			T-A 4:0		
			T-B 7:0		
2		!	1	1	HEAD
		➡	4181V015		
3	3314A151	!	1	3	INSERT
			T-A 7:50		
4	3313E021	●	3313A012 (3)	3	GUIDE
		!	1		
			T-A 7:50		
5	3314A161	!	1	3	INSERT
			T-A 7:50		
6	3313E021	●	3313A012 (3)	3	GUIDE
		!	1		
			T-A 7:50		
7	0650588	!	1	3	PLUG
			T-A 0:50		
8	32416117	!	1	3	PLUG
			T-A 1:0		
9	3244A009	!	1	2	DOWEL
10	3218A011	!	1	5	SCREW
11	3218A012	!	1	3	SCREW
12	3142H071	!	1	3	VALVE
			T-A 7:50		
13	2418M514	●	N.L.S. (3)	3	RING
		!	1		
			T-A 3:0		

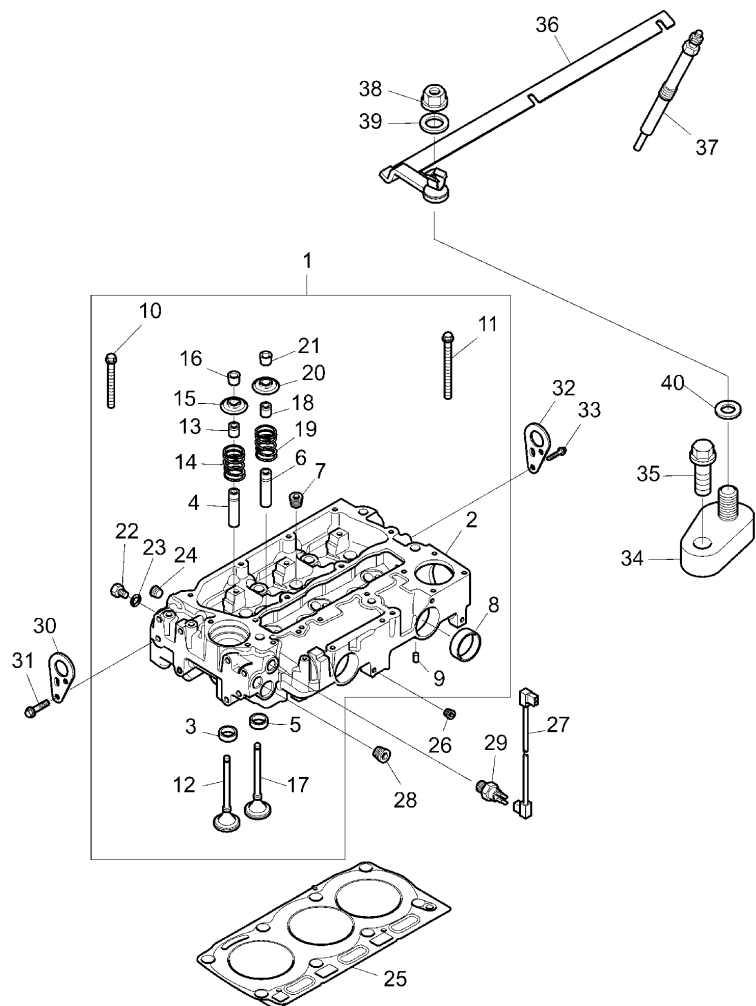
ENGINE

**A-05  
04**

CYLINDER HEAD

Rex Tier 2 fp/cab  
desp. 80 F/GE

A0504



14	3174A016	!	1	3	SPRING
			T-A 3:0		
15	3342A011	!	1	3	COVER
			T-A 3:0		
16	3142W004	!	1	6	COTTER
			T-A 3:0		
17	3142A151	!	1	3	VALVE
			T-A 7:50		
18	2418M514	●	N.L.S. (3)	3	RING
		!	1		
			T-A 3:0		
19	3174A016	!	1	3	SPRING
			T-A 3:0		
20	3342A011	!	1	3	COVER
			T-A 3:0		
21	3142W004	!	1	6	COTTER
			T-A 3:0		
22	3278A006	!	1	1	PLUG
23	2415H003	!	1	1	RING
24	2431154	!	1	3	PLUG
25	3681E045	●	3681E049 (1)	1	GASKET
			T-A 4:0		
26	2431131	●	0650594 (1)	1	PLUG

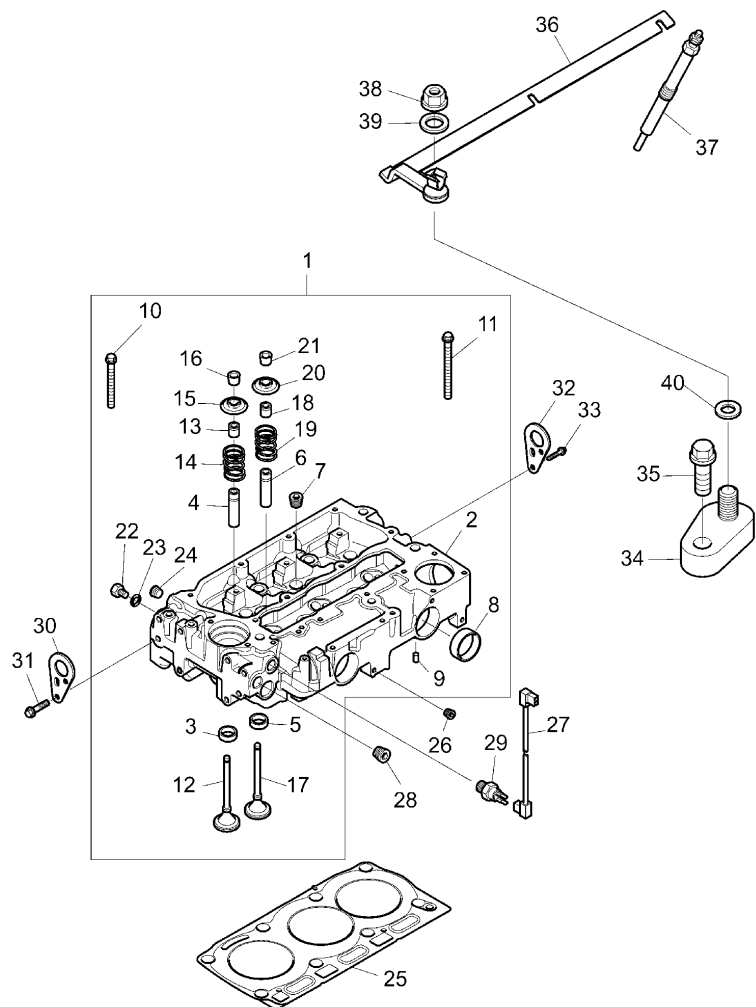
ENGINE

A-05  
04

CYLINDER HEAD

Rex Tier 2 fp/cab  
desp. 80 F/GE

A0504



- |    |          |          |   |            |
|----|----------|----------|---|------------|
| 27 | 3161C017 |          | 1 | CABLE      |
| 28 | 2431154  | T-A 0:25 | 1 | PLUG       |
| 29 | 2848A127 |          | 1 | SENSOR     |
| 30 | 3617A015 | T-A 0:25 | 1 | STIRRUP    |
| 31 | 2314J002 |          | 2 | SCREW      |
| 32 | 3617A015 |          | 1 | STIRRUP    |
| 33 | 2314J002 |          | 2 | SCREW      |
| 34 | 3881A006 |          | 1 | INSULATOR  |
| 35 | 2314F004 |          | 1 | SCREW      |
| 36 | 3812A031 |          | 1 | BAR        |
| 37 | 2666A016 |          | 3 | SPARK PLUG |

T-A 0:75 Il tempo è riferito alla sostituzione di tutte le candele

- |    |          |  |   |        |
|----|----------|--|---|--------|
| 38 | 2318A602 |  | 1 | NUT    |
| 39 | 2134A609 |  | 1 | WASHER |
| 40 | 0920002  |  | 1 | WASHER |

! THIS IS A COMPONENT OF AN ASSEMBLY NOT SERVICED, ORDER Replacement T-A Overhaul T-B

ENGINE

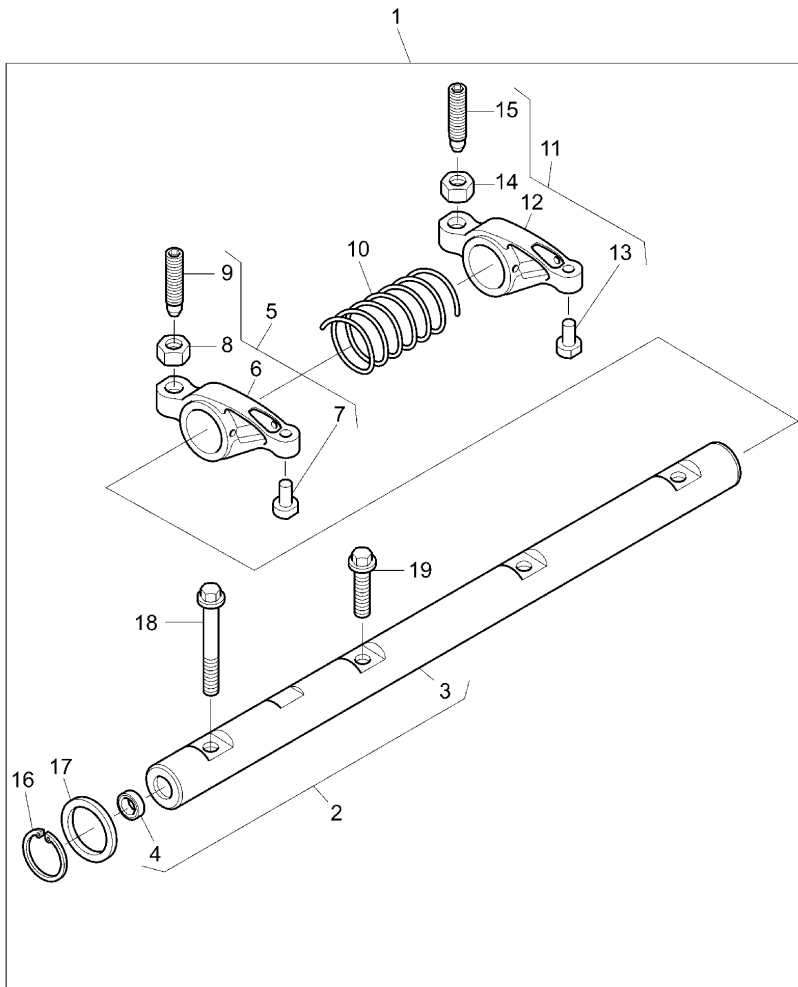
A-05  
05

ROCKER SHAFT



A0505

Rex Tier 2 fp/cab  
desp. 80 F/GE



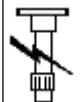
1	4115R611		1	SHAFT
2	4115R702	! 1	1	SHAFT
		T-A 4:0		
3		! 2	1	SHAFT
		4115R702		
4	2485A104	! 2	2	PLUG
		T-A 4:0		
5	4115R314	! 1	3	ROCKER
		T-A 4:0		
6		! 5	1	ROCKER
		4115R314		
7		! 5	1	SHIM
		4115R314		
8	0576052	! 5	1	NUT
9	32114145	● 370923A1 (1)	1	SCREW
		! 5		
10	3174A015	! 1	2	SPRING
		T-A 4:0		
11	4115R315	! 1	3	ROCKER
		T-A 4:0		
12		! 11	1	ROCKER
		4115R315		
13		! 11	1	SHIM
		4115R315		
14	0576052	! 11	1	NUT
15	32114145	● 370923A1 (1)	1	SCREW
		! 11		
		T-A 1:25		



ENGINE

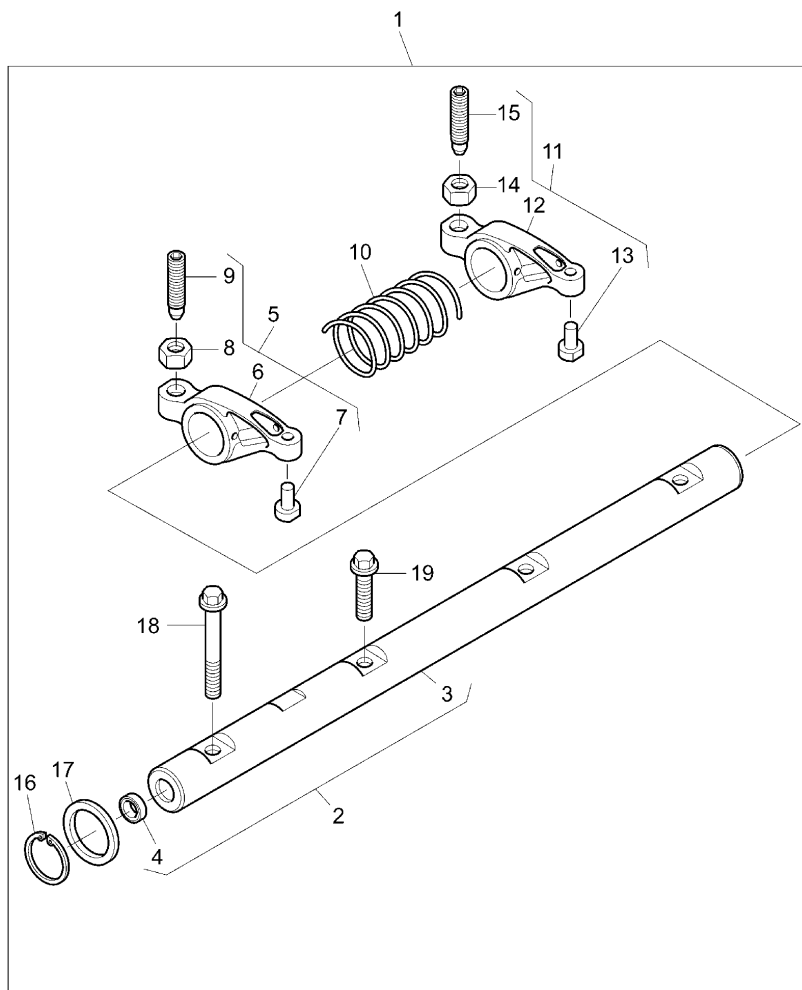
A-05  
05

ROCKER SHAFT



A0505

Rex Tier 2 fp/cab  
desp. 80 F/GE

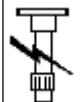


16	2722A022	!	1	2	RING
17	2134A502	!	1	2	WASHER
					T-A 4:0
18	2316A901	!	1	1	SCREW
19	2316A902	!	1	2	SCREW
!					THIS IS A COMPONENT OF AN ASSEMBLY
!					NOT SERVICED, ORDER
T-A					Replacement

**ENGINE**

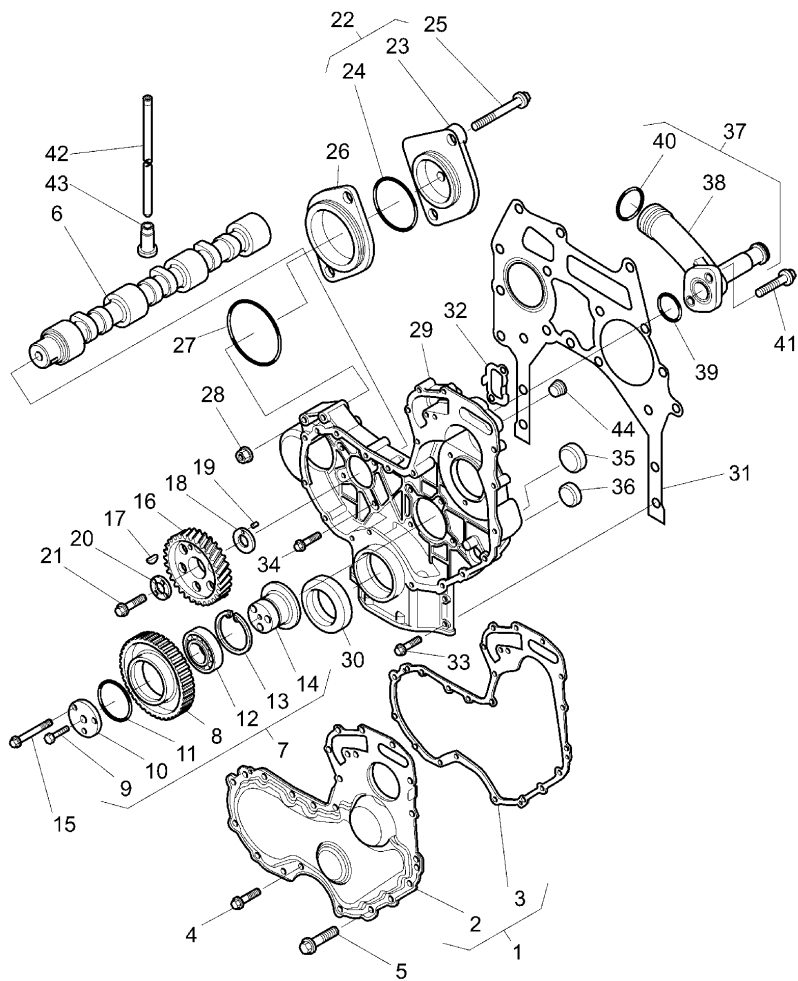
**A-05  
06**

**TIMING GEAR AND CAMSHAFT**



**A0506**

**Rex Tier 2 fp/cab  
desp. 80 F/GE**



- |    |          |   |              |   |          |
|----|----------|---|--------------|---|----------|
| 1  | 4142A501 | ● | 4142A503 (1) | 1 | KIT      |
|    |          |   | T-A 4:50     |   |          |
| 2  |          | ! | 1            | 1 | OVERLAY  |
|    |          | ▶ | 4142A501     |   |          |
| 3  | 3681P046 | ! | 1            | 1 | GASKET   |
|    |          |   | (X) 0.1.3.5  |   |          |
|    |          |   | T-A 4:50     |   |          |
| 4  | 2314H002 |   |              | 9 | SCREW    |
| 5  | 2314H012 |   |              | 5 | SCREW    |
| 6  | 3141A002 |   |              | 1 | SHAFT    |
|    |          |   | T-A 14:0     |   |          |
| 7  | 4111A028 | ● | 4111A042 (1) | 1 | GEAR     |
|    |          |   | T-A 4:75     |   |          |
| 8  |          | ! | 7            | 1 | GEAR     |
|    |          | ▶ | 4111A028     |   |          |
| 9  | 2314C037 | ! | 7            | 1 | SCREW    |
| 10 | 3241A013 | ! | 7            | 1 | DISC     |
|    |          |   | T-A 4:75     |   |          |
| 11 | 2559A001 | ! | 7            | 2 | WASHER   |
|    |          |   | T-A 4:75     |   |          |
| 12 | 2558A501 | ! | 7            | 1 | CUSCINET |
|    |          |   | T-A 4:75     |   |          |
| 13 | 2721B064 | ! | 7            | 2 | RING     |
|    |          |   | T-A 4:75     |   |          |

ENGINE

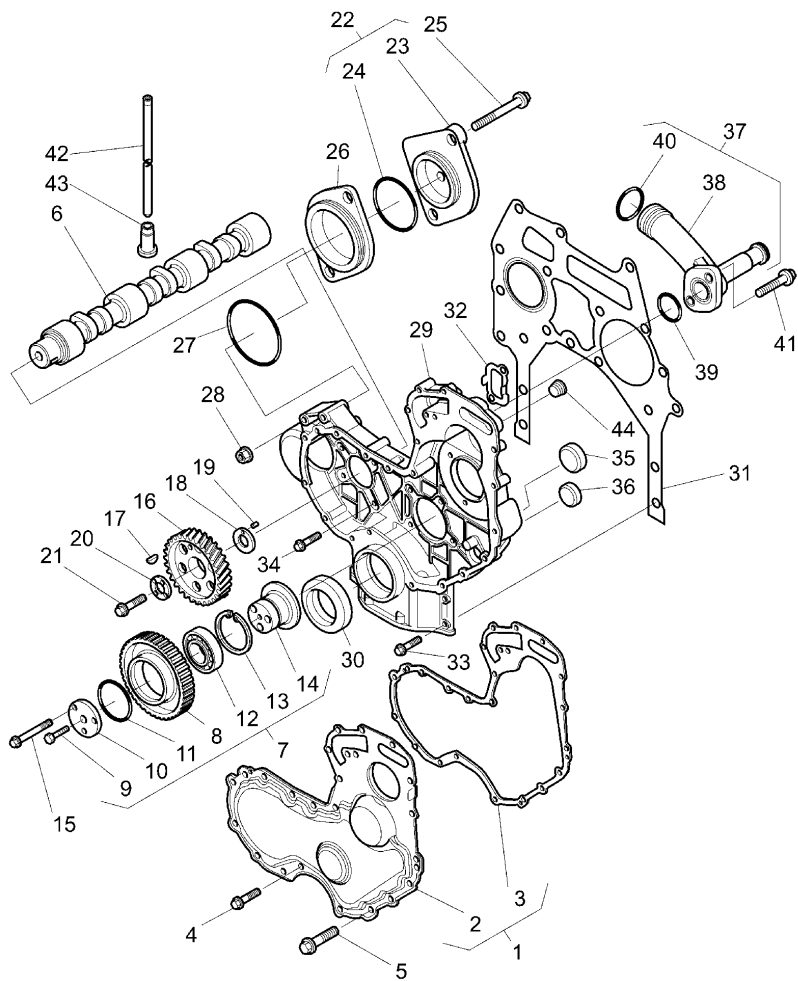
**A-05  
06**

TIMING GEAR AND CAMSHAFT

Rex Tier 2 fp/cab  
desp. 80 F/GE



A0506



14	3272A015	!	7	1	HUB
			T-A 4:75		
15	2314J012			3	SCREW
16	3117L271	●	3117L272 (1)	1	GEAR
			T-A 4:75		
17	0500012			1	KEY
18	3321A003			1	WASHER
			T-A 4:75		
19	2116053			1	PIN
20	3327A003			1	WASHER
			T-A 4:75		
21	2314J606			1	SCREW
22	4148K012			1	PLATE
			T-A 4:75		
23		!	22	1	PLATE
		▶	4148K012		
24	2415H510	●	2415H515 (1)	1	RING
		!	22		
			T-A 4:75		
25	2314J014			2	SCREW
26	3617A021			1	DISC
			T-A 4:75		
27	2415A063	●	2415H516 (1)	1	RING
			T-A 4:75		

ENGINE

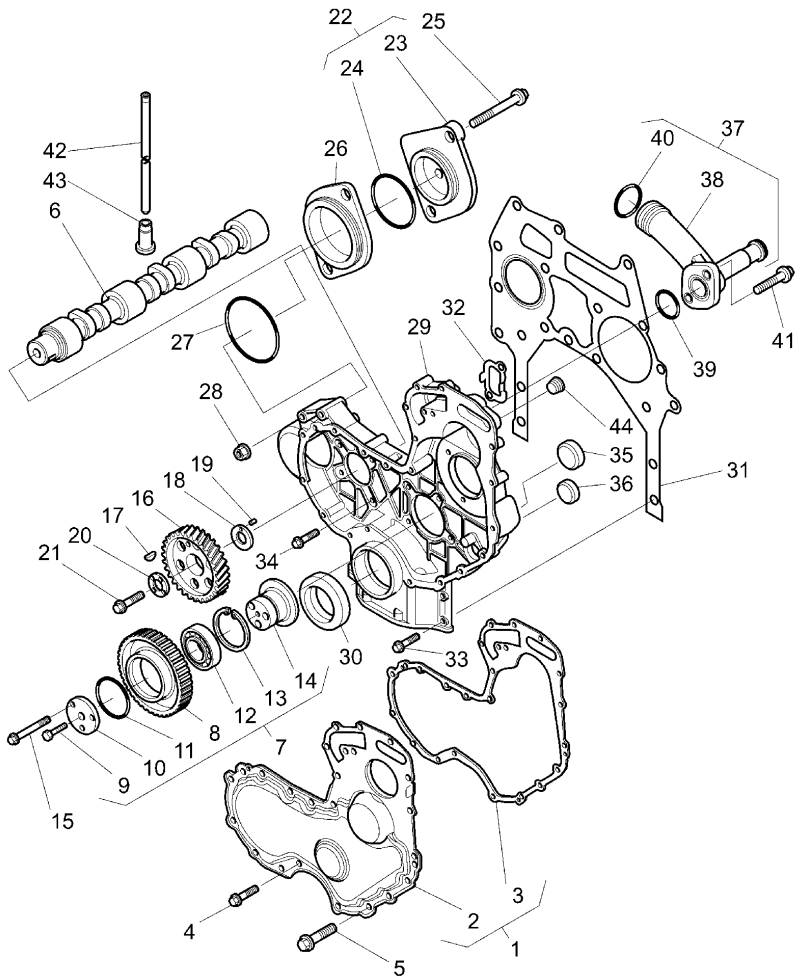
A-05  
06

TIMING GEAR AND CAMSHAFT



A0506

Rex Tier 2 fp/cab  
desp. 80 F/GE

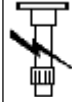


28	2318A604		2	NUT
29	3716C481	●	1	HOUSING
		T-A 4:75		
30	2418F436	●	1	SEAL
		T-A 4:75		
31	3617V015	●	1	GASKET
		T-A 4:75		
32	3617V016		1	GASKET
33	2314H003		8	SCREW
34	2314H034		4	SCREW
35	2485A124		1	PLUG
36	2485A118		1	PLUG
37	4133L049		1	CONNECTION
		T-A 4:75		
38		! 37	1	CONNECTION
		▶ 4133L049		
39	2418F001	! 37	1	RING
		T-A 4:75		
40	2418F002	! 37	1	RING
		T-A 4:75		
41	2314H003		2	SCREW
42	31434307		6	ROD
		T-A 2:75		
43	3142U031	● 3142U991 (6)	6	TAPPET
		T-A 14:25		

ENGINE

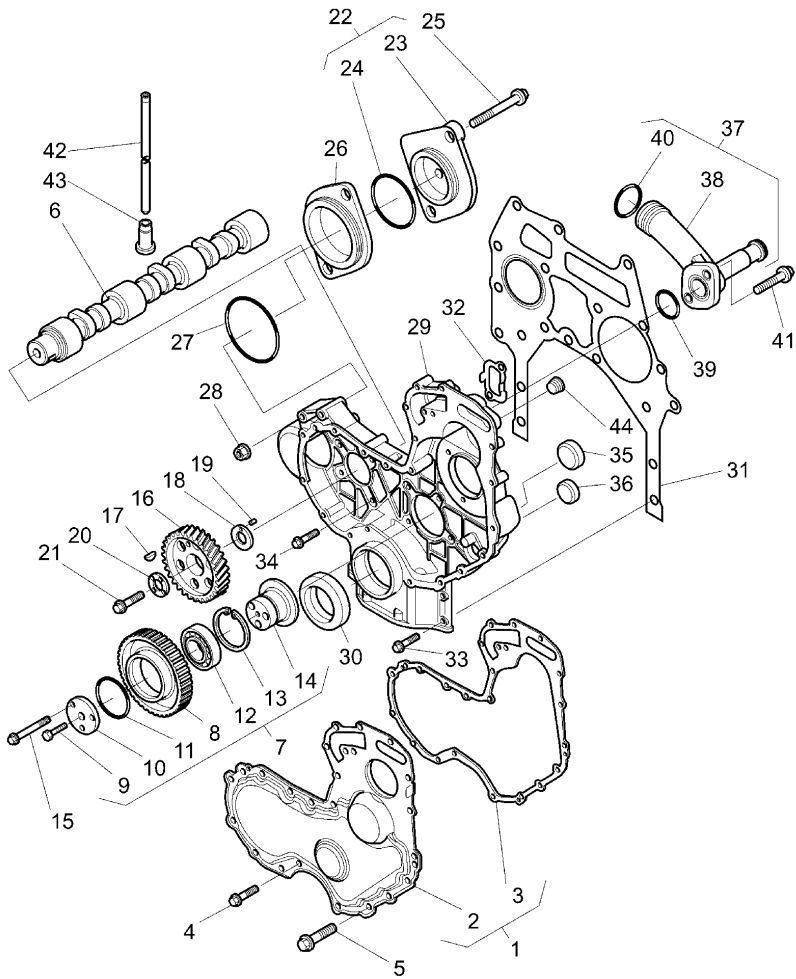
A-05  
06

TIMING GEAR AND CAMSHAFT



A0506

Rex Tier 2 fp/cab  
desp. 80 F/GE



44 2431154

1 PLUG

!

THIS IS A COMPONENT OF AN ASSEMBLY

☞

NOT SERVICED, ORDER

T-A

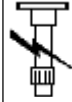
Replacement

(X)

QTY PER TRACTORS SOLD (AA.BBB.CCC.DDD) (AA) FOR  
1,(BBB) 2-10 (CCC) 11-25 (DDD) 26-50

ENGINE

A-05  
07

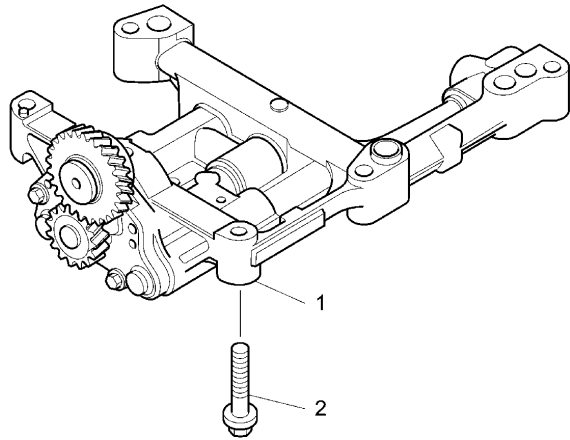


A0507

Rex Tier 2 fp/cab  
desp. 80 F/GE

OIL PUMP

- |   |          |             |   |       |
|---|----------|-------------|---|-------|
| 1 | 4132F071 |             | 1 | PUMP  |
|   |          | T-A 4:0     |   |       |
|   |          | T-B 5:0     |   |       |
| 2 | 2314J008 |             | 5 | SCREW |
|   | T-A      | Replacement |   |       |
|   | T-B      | Overhaul    |   |       |



ENGINE

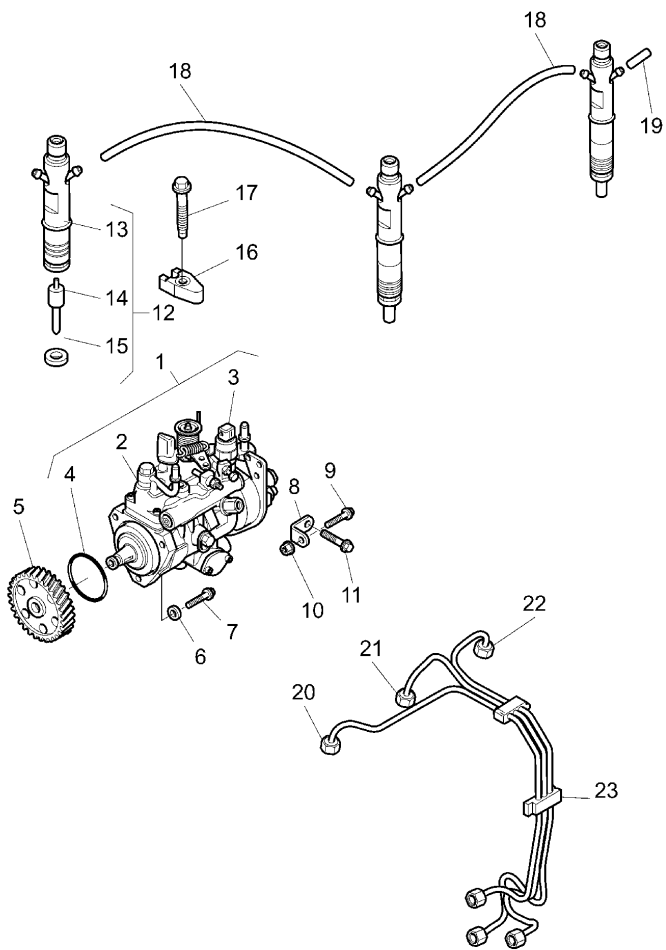
**A-05  
08**

FUEL INJECTION EQUIPMENT (DIESEL)



A0508

Rex Tier 2 fp/cab  
desp. 80 F/GE

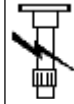


1	2643B302		1	PUMP
		T-A 5:0		
2		!	1	PUMP
		➡	2643B302	
3	26420469	!	1	SOLENOID
			(X) 0.1.3.5	
			T-A 0:25	
4	26420318	!	1	RING
			T-A 4:50	
5	3117L261		1	GEAR
			T-A 4:50	
6	2411D008		3	WASHER
7	2314H004		3	SCREW
8	3641A007		1	STIRRUP
9	2314H004		1	SCREW
10	2318A603		1	NUT
11	2314J002		1	SCREW
12	2645K011		1	ATOMISER
		T-A 2:0		
13		!	12	ATOMISER
		➡	2645K011	
14	2645K611	!	12	NOZZLE
			(X) 1.3.5.6	
			T-A 2:0	
15	L311FF02	!	12	WASHER
			T-A 2:0	
16	3751A241		1	CLAMP
		T-A 2:0		

ENGINE

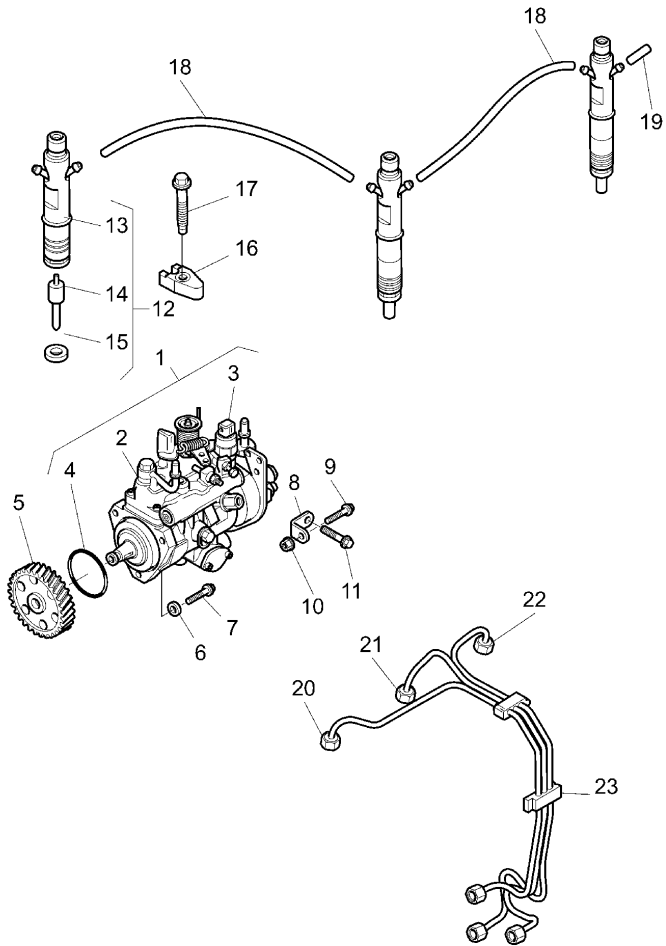
A-05  
08

FUEL INJECTION EQUIPMENT (DIESEL)



A0508

Rex Tier 2 fp/cab desp. 80 F/GE



17	2314W009		1	SCREW
18	2646F501		2	PIPE
		T-A 0:25		
19	2646E501		1	CAP
		T-A 0:25		
20	3525A114		1	PIPE
		T-A 0:25		
21	3525A115		1	PIPE
		T-A 0:25		
22	3525A116		1	PIPE
		T-A 0:25		
23	2646E018		2	CLIP

! THIS IS A COMPONENT OF AN ASSEMBLY

NOT SERVICED, ORDER

T-A Replacement

(X) QTY PER TRACTORS SOLD (AA.BBB.CCC.DDD) (AA) FOR 1,(BBB) 2-10 (CCC) 11-25 (DDD) 26-50



ENGINE

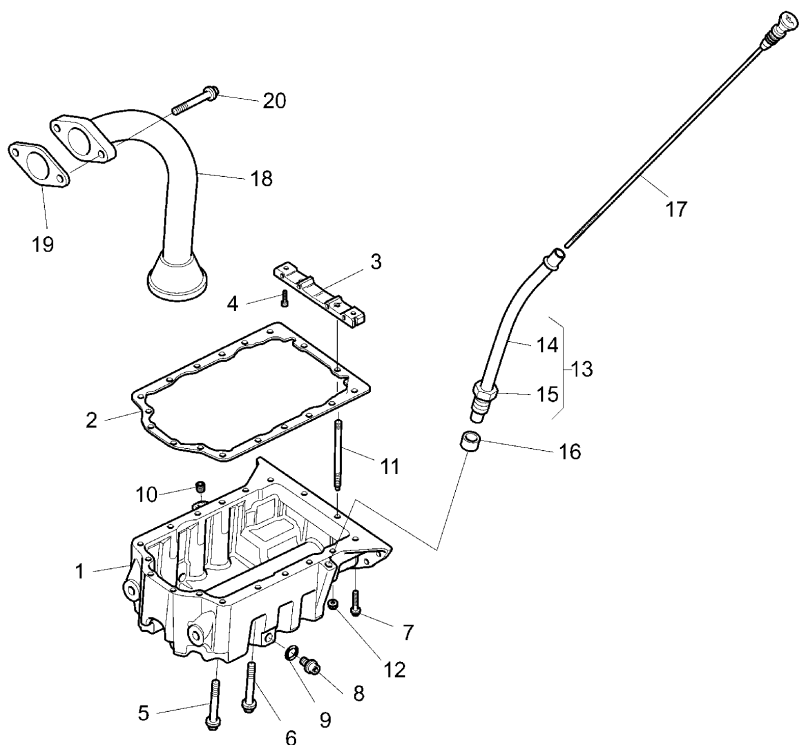
**A-05  
09**

LUBRICATING OIL SUMP

Rex Tier 2 fp/cab  
desp. 80 F/GE



A0509



- |    |          |   |              |   |            |
|----|----------|---|--------------|---|------------|
| 1  | 3717C141 | ● | 3717C142 (1) | 1 | SUMP       |
|    |          |   | T-A 2:0      |   |            |
| 2  | 3681K038 |   | T-A 2:0      | 1 | GASKET     |
| 3  | 3627P041 |   | T-A 2:0      | 1 | CROSSPIECE |
| 4  | 2311D039 |   |              | 2 | SCREW      |
| 5  | 2314H022 | ● | 2314H052 (2) | 2 | SCREW      |
| 6  | 2314H015 |   |              | 8 | SCREW      |
| 7  | 2314K159 |   |              | 2 | SCREW      |
| 8  | 32186405 |   |              | 2 | PLUG       |
| 9  | 2415715  |   |              | 2 | RING       |
| 10 | 2431A016 |   |              | 1 | PLUG       |
| 11 | 3211P022 |   |              | 2 | STUD       |
| 12 | 2318A603 |   |              | 2 | NUT        |
| 13 | 3577A125 | ● | 3577A157 (1) | 1 | PIPE       |
|    |          |   | T-A 0:25     |   |            |
| 14 |          | ! | 13           | 1 | PIPE       |
|    |          | ▶ | 3577A125     |   |            |
| 15 | 3353D005 | ! | 13           | 1 | NUT        |
| 16 | 33812116 |   |              | 1 | OLIVE      |
|    |          |   | T-A 0:25     |   |            |
| 17 | 3178C172 | ● | 3178C182 (1) | 1 | ROD        |
|    |          |   | T-A 0:25     |   |            |

ENGINE

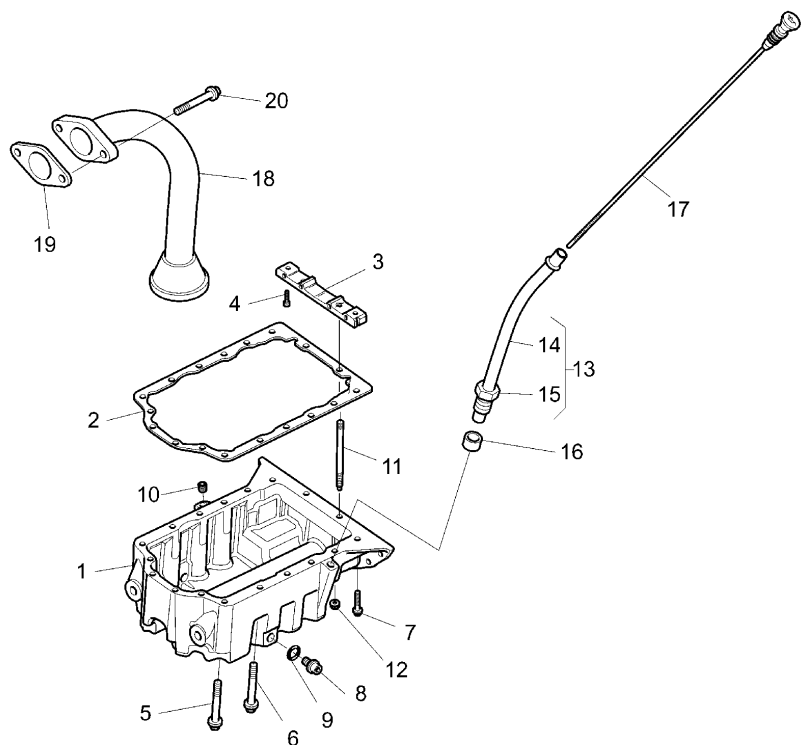
**A-05  
09**

LUBRICATING OIL SUMP

Rex Tier 2 fp/cab  
desp. 80 F/GE



A0509



- |     |                                    |          |   |        |
|-----|------------------------------------|----------|---|--------|
| 18  | 3575A064                           |          | 1 | PIPE   |
|     |                                    | T-A 2:25 |   |        |
| 19  | 36832137                           |          | 1 | GASKET |
|     |                                    | T-A 2:25 |   |        |
| 20  | 2314H004                           |          | 2 | SCREW  |
| !   | THIS IS A COMPONENT OF AN ASSEMBLY |          |   |        |
| ▶   | NOT SERVICED, ORDER                |          |   |        |
| T-A | Replacement                        |          |   |        |

ENGINE

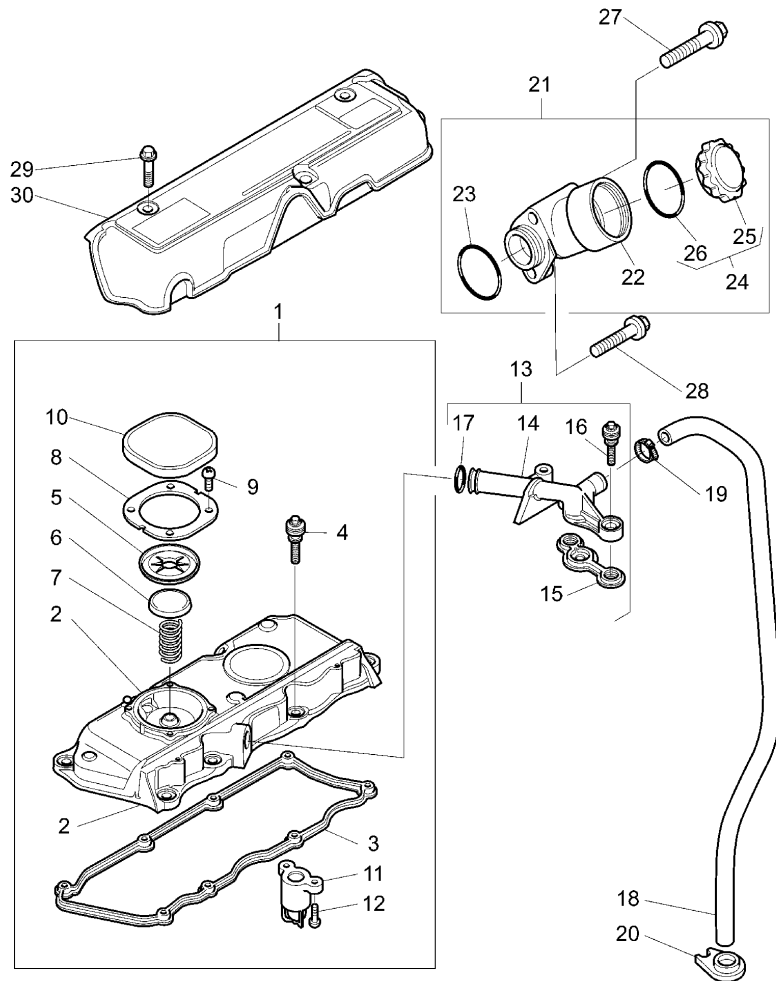
A-05  
10

LUBRICATING OIL FILLER AND BREATHER

Rex Tier 2 fp/cab  
desp. 80 F/GE



A0510



1	4142X301		1	COVER
2		! 1	1	COVER
3	3681A057	! 1	1	COVER
4	2161A011	! 1	8	SCREW
5	3789A001	! 1	1	DIAPHRAGM
6	3788A002	! 1	1	CAP
7	3174A017	! 1	1	SPRING
8	3615A009	! 1	1	PLATE
9	2152A034	! 1	4	SCREW
10	3788A003	! 1	1	CAP
11	2652A019	! 1	1	VALVE
12	2314D106	! 1	2	SCREW
13	4134K015	! 1	1	PIPE
		● 2314F005 (2)		
		● 4134K022 (1)		
		T-A 0:50		

ENGINE

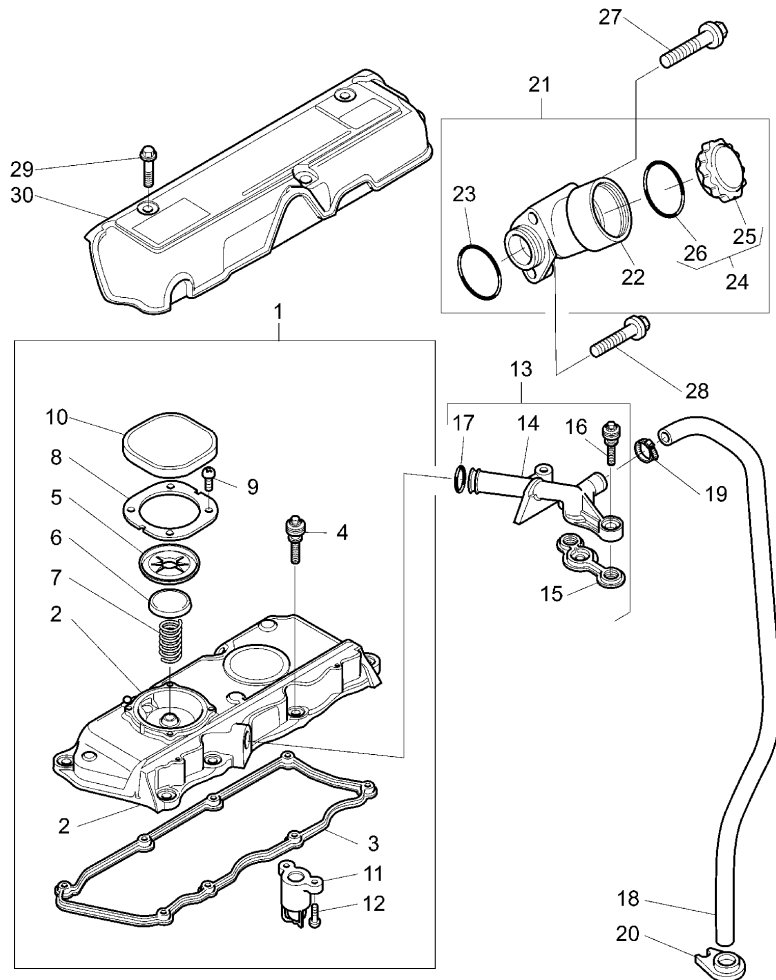
**A-05**  
**10**

LUBRICATING OIL FILLER AND BREATHER

Rex Tier 2 fp/cab  
desp. 80 F/GE



A0510



14	!	13	1	PIPE
15	➡	4134K015	1	RING
16	!	13	2	SCREW
		T-A 0:50		
17	●	N.L.S. (2)		
		!		
18	!	13	1	RING
		T-A 0:50		
	●	3482V094 (1)	1	PIPE
		T-A 0:25		
19		2481877	1	CLAMP
20		36241123	1	SUPPORT
		T-A 0:25		
21	●	4134C043	1	FILLER
22	!	4134C072 (1)	1	BODY
		➡		
		4134C043		
23	!	2415B148	1	RING
		!		
		21		
		T-A 0:25		
24	!	4142X098	1	PLUG
		!		
		21		
		(X) 0.1.3.5		
		T-A 0:25		
25	!	24	1	PLUG
	➡	4142X098		
26	!	24	1	O RING
		T-A 0:25		

ENGINE

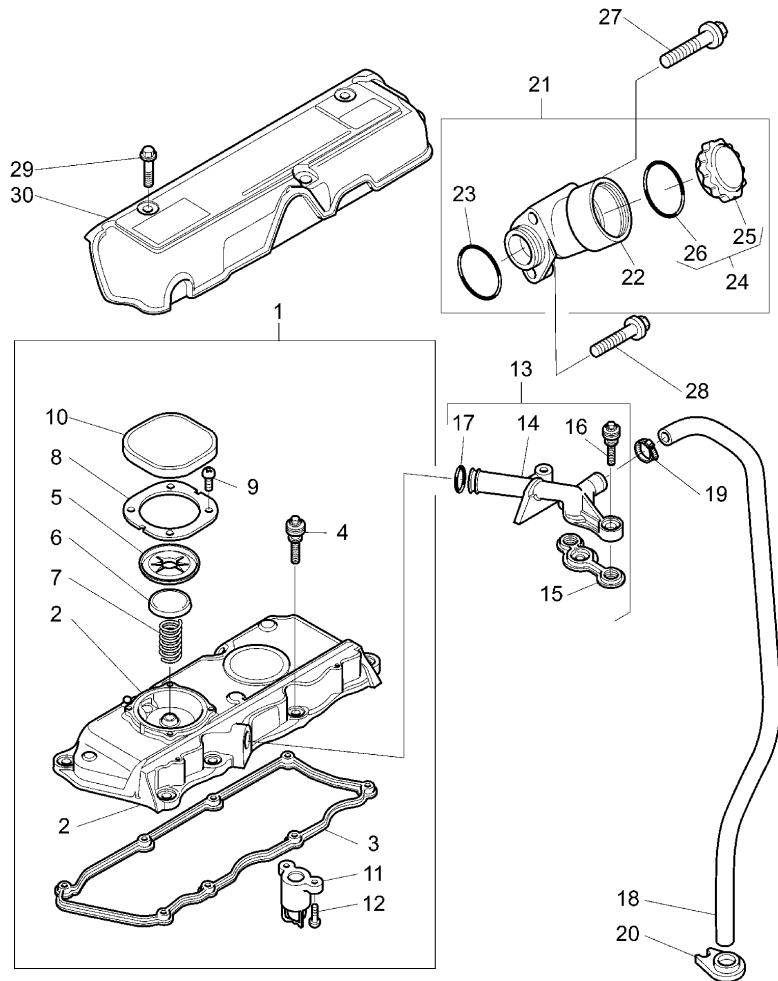
A-05  
10

LUBRICATING OIL FILLER AND BREATHER

Rex Tier 2 fp/cab  
desp. 80 F/GE



A0510



- 27 2314K161
- 28 2314H005
- 29 2314F003
- 30 3788N004

- 1 SCREW
- 1 SCREW
- 3 SCREW
- 1 GUARD

T-A 0:50

THIS IS A COMPONENT OF AN ASSEMBLY

!

NOT SERVICED, ORDER



Replacement

T-A

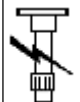
QTY PER TRACTORS SOLD (AA.BBB.CCC.DDD) (AA) FOR  
1,(BBB) 2-10 (CCC) 11-25 (DDD) 26-50

(X)

ENGINE

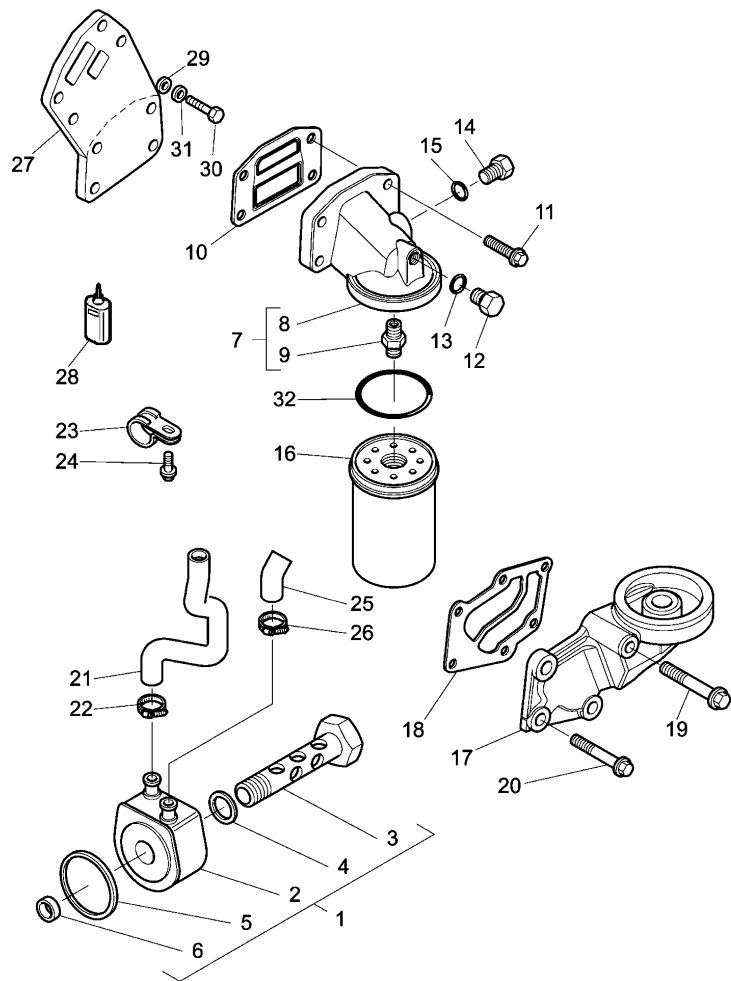
**A-05**  
**11**

HEAT EXCHANGER AND LUBRICATING OIL FILTER



A0511

Rex Tier 2 fp/cab  
desp. 80 F/GE



1	2486A221		1	COOLER
2		! 1	1	COOLER
3	2486A224	! 1	1	ADAPTOR
4	2411A524	! 1	1	GASKET
5	2486A223	! 1	1	GASKET
6	33813131	● 3311A042 (1)	1	SEAL
7	4134E058	● 3773A061 (1)	1	HEAD
8		! 7	1	HEAD
9	33554128	! 7	1	UNION
10	3688A039	! 7	1	GASKET
11	2314H034	T-A 1:0	4	SCREW
12	3278A007	T-A 1:0	1	PLUG
13	2415H009	T-A 1:0	1	O RING
		T-A 0:50		
		T-A 0:25		
		T-A 0:50		
		T-A 0:50		
		T-A 0:25		

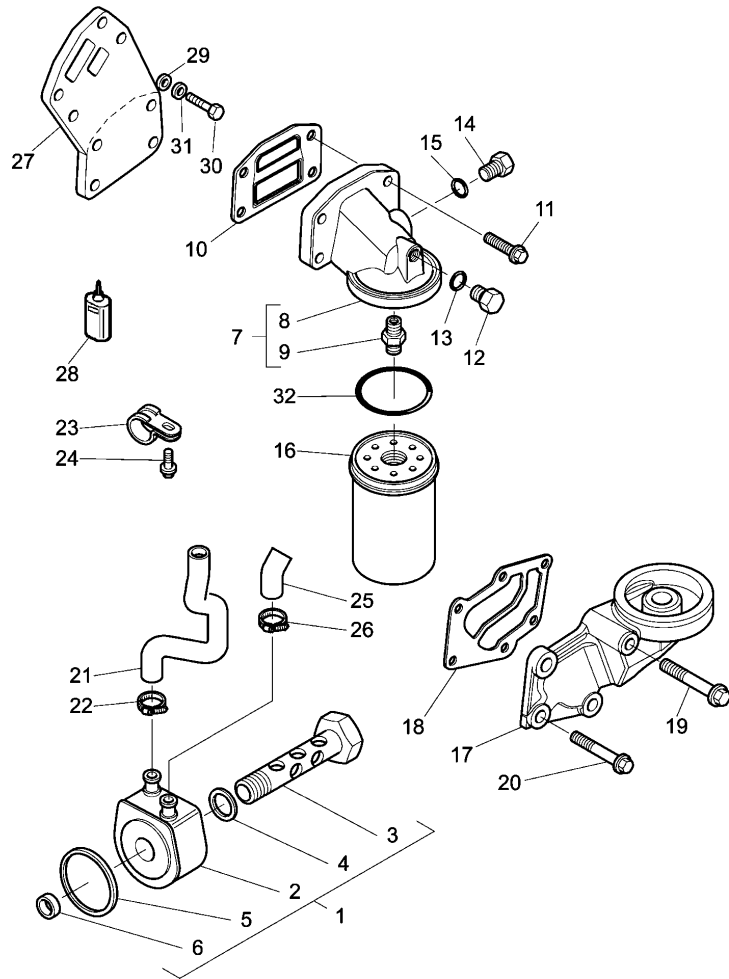
ENGINE

A-05  
11

HEAT EXCHANGER AND LUBRICATING OIL FILTER

Rex Tier 2 fp/cab  
desp. 80 F/GE

A0511



14	3278A004		1	PLUG
15	2415H002		1	RING
		T-A 0:25		
16	2654403		1	FILTER
17	3766A171		1	ADAPTOR
		T-A 0:25		
18	3687M037		1	GASKET
		T-A 0:25		
19	2314H010		2	SCREW
20	2314H004		4	SCREW
21	3482V093		1	PIPE
		T-A 0:25		
22	2481877		2	CLAMP
23	2481D156		1	CLIP
24	2314H002		1	SCREW
25	3482H023		1	PIPE
		T-A 0:25		
26	2481877		2	CLAMP
27	3670728M1		1	SUPPORT
28	3663814M1	● 1427801M2 (999)	999	LOCTITE
29	339374X1		4	LOCK & SEA
30	1440349X1	M8X30	4	SCREW
31	390972X1		4	WASHER
32	3672135M1		2	GASKET
!	THIS IS A COMPONENT OF AN ASSEMBLY			
🔧	NOT SERVICED, ORDER			
T-A	Replacement			

ENGINE

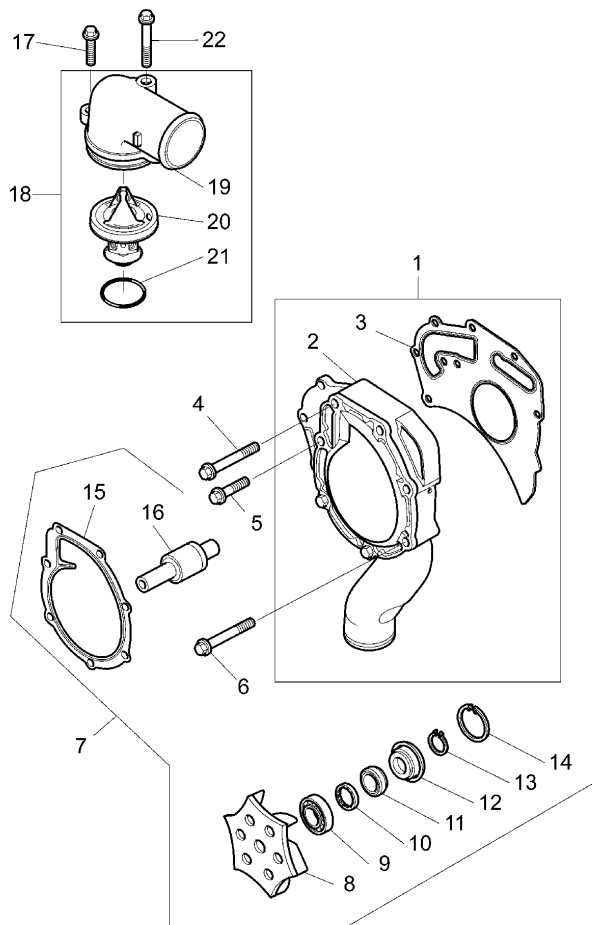
A-05  
12

WATER PUMP, THERMOSTAT AND HEAT EXCHANGER



A0512

Rex Tier 2 fp/cab  
desp. 80 F/GE



1	U5MW0197		1	KIT
		T-A 2:25		
2	!	1	1	PUMP
	➡	U5MW0197		
3	3682A011	!	1	GASKET
		(X) 0.1.3.5		
		T-A 2:25		
4	2314K164		2	SCREW
5	2314H005		2	SCREW
6	2314H012		5	SCREW
7	U7LW0174	●	U5MW0207 (1)	1 KIT,REPAIR
		T-A 2:25		
8	!	7	1	FAN
	➡	U7LW0174		
9	!	7	1	BEARING RO
	➡	U7LW0174		
10	!	7	1	BEARING
	➡	U7LW0174		
11	!	7	1	GASKET
	➡	U7LW0174		
12	!	7	1	GASKET
	➡	U7LW0174		
13	!	7	1	RING
	➡	U7LW0174		
14	!	7	1	RING
	➡	U7LW0174		
15	24880234	!	7	GUARD
		T-A 2:25		
16	!	7	1	SHAFT
	➡	U7LW0174		



ENGINE

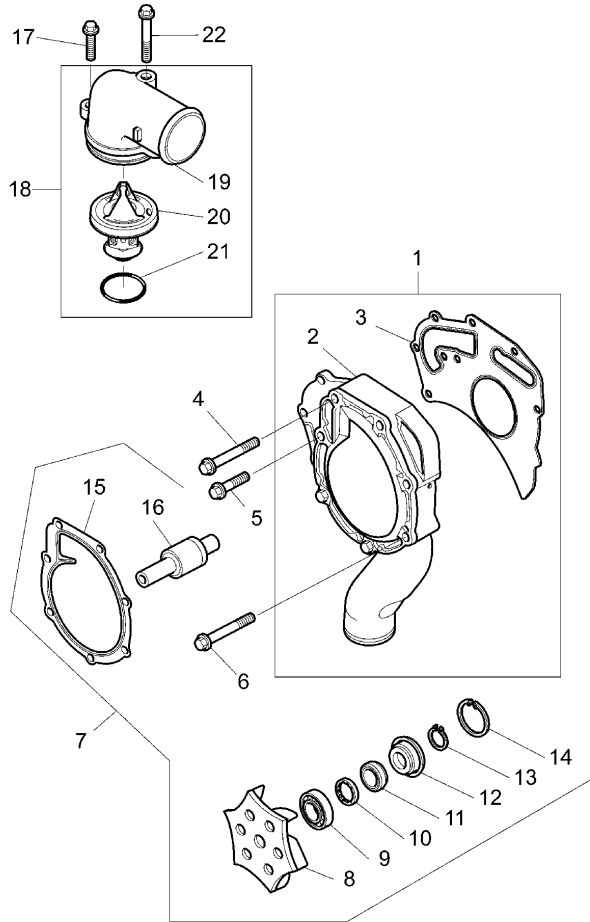
A-05  
12

WATER PUMP, THERMOSTAT AND HEAT EXCHANGER



A0512

Rex Tier 2 fp/cab  
desp. 80 F/GE



17	2314H004		1	SCREW
18	4133L502	●	4133L508 (1)	1 CONNECTION
			T-A 0:50	
19		!	18	1 CONNECTION
		➡	4133L502	
20	2485C041	●	N.L.S. (1)	1 THERMOSTAT
		!	18	
			T-A 0:50	
21	2415H008	●	2415H219 (1)	1 RING
		!	18	
			T-A 0:50	
22	2314H012			1 SCREW
		!	THIS IS A COMPONENT OF AN ASSEMBLY	
		➡	NOT SERVICED, ORDER	
		T-A	Replacement	
		(X)	QTY PER TRACTORS SOLD (AA.BBB.CCC.DDD) (AA) FOR	
			1,(BBB) 2-10 (CCC) 11-25 (DDD) 26-50	

ENGINE

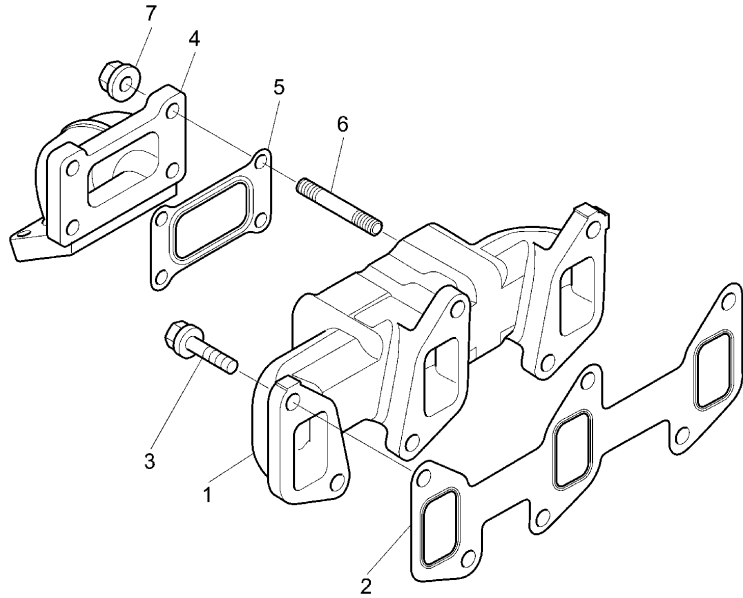
A-05  
13

EXHAUST MANIFOLD



A0513

Rex Tier 2 fp/cab  
desp. 80 F/GE



1	3778C111		1	MANIFOLD
		T-A 0:50		
2	3681V513		1	GASKET
		T-A 0:50		
3	3218J013		6	SCREW
4	3767A041		1	ELBOW
		T-A 0:25		
5	3684N027		1	GASKET
		T-A 0:25		
6	2313M377		4	STUD
7	2318A634		4	NUT
T-A		Replacement		

ENGINE

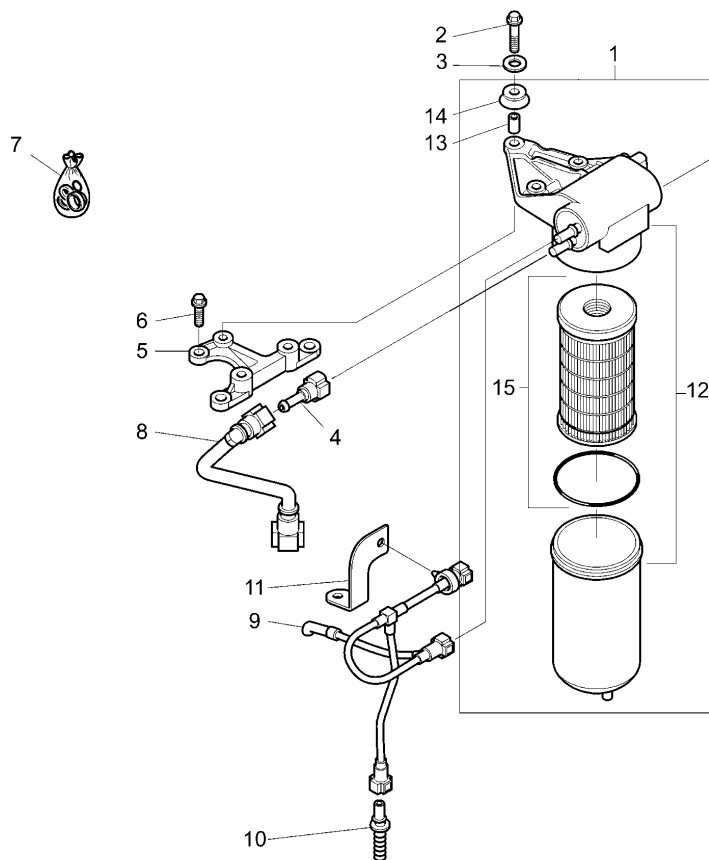
A-05  
14

ASPIRATION PUMP



A0514

Rex Tier 2 fp/cab  
desp. 80 F/GE



1	4132A012	● U5MK0696 (1) 4132A016 (1)	1 PUMP
		T-A 0:50	
2	2314F008		3 SCREW
3	2131A507		3 WASHER
4	3763A046		1 CONNECTION
		T-A 0:25	
5	3736A021		1 SPACER
		T-A 0:50	
6	2314H003		3 SCREW
7	U5MK1021		1 KIT
8	2646F011		1 PIPE
		T-A 0:50	
9	2646F012		1 PIPE
		T-A 0:50	
10	3763A045		1 CONNECTION
		T-A 0:50	
11	3644A022		1 STIRRUP
		T-A 0:50	
12	!	1	1 PUMP
	▶	4132A012	
13	!	1	3 SPACER
	▶	4132A012	
14	!	1	3 SPACER
	▶	4132A012	
15	26560166	● 26560163 (1)	1 FILTER
		!	
!	THIS IS A COMPONENT OF AN ASSEMBLY		
▶	NOT SERVICED, ORDER		
T-A	Replacement		

ENGINE

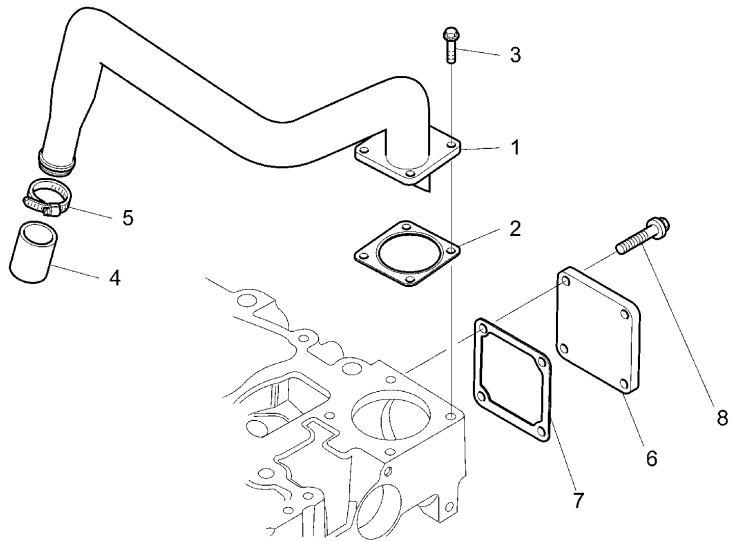
**A-05  
15**

FUEL PIPINGS



A0515

Rex Tier 2 fp/cab  
desp. 80 F/GE

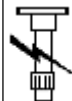


- |   |          |                 |   |             |
|---|----------|-----------------|---|-------------|
| 1 | 3571C077 |                 | 1 | PIPE        |
|   |          | T-A 0:50        |   |             |
| 2 | 3688A037 |                 | 1 | RING        |
|   |          | T-A 0:50        |   |             |
| 3 | 2314H033 |                 | 4 | SCREW       |
| 4 | 3383A037 |                 | 1 | PIPE        |
|   |          | T-A 0:25        |   |             |
| 5 | 2481D062 |                 | 2 | CLIP        |
| 6 | 3611M006 | ● 3693791M1 (1) | 1 | DISC        |
|   |          | T-A 0:25        |   |             |
| 7 | 3684N503 | ● 3693794M1 (1) | 1 | GASKET      |
|   |          | T-A 0:25        |   |             |
| 8 | 2314H033 |                 | 4 | SCREW       |
|   |          | T-A             |   | Replacement |

ENGINE

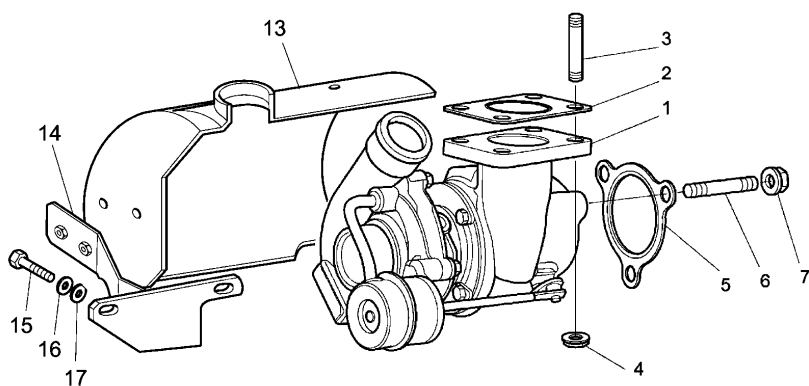
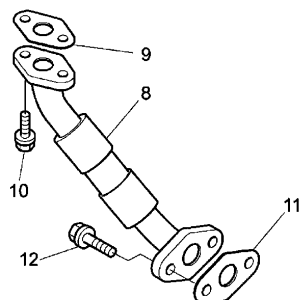
A-05  
16

TURBOCHARGER



A0516

Rex Tier 2 fp/cab  
desp. 80 F/GE



1	2674A405		1	TURBOCHARG
		T-A 0:50		
2	3688A029		1	UNIVERSAL
		T-A 0:50		
3	2313M377		4	STUD
4	2318A634		4	NUT
5	3681V514		1	GASKET
		T-A 0:50		
6	2313M377		3	STUD
7	2318A634		3	NUT
8	3584A005		1	PIPE
		T-A 0:25		
9	3688A035		1	RING
		T-A 0:25		
10	2314F004		2	SCREW
11	3688A036		1	RING
		T-A 0:25		
12	2314H003		2	SCREW
13	3677479M92	A	1	GUARD
14	3677477M91	A	1	SUPPORT
15	339081X1	A	2	SCREW
		M10X20		
16	390734X1	A	2	WASHER
17	1440314X1	A	2	LOCK & SEA
A		WITHOUT POSTERIOR FLANKS		
T-A		Replacement		

ENGINE

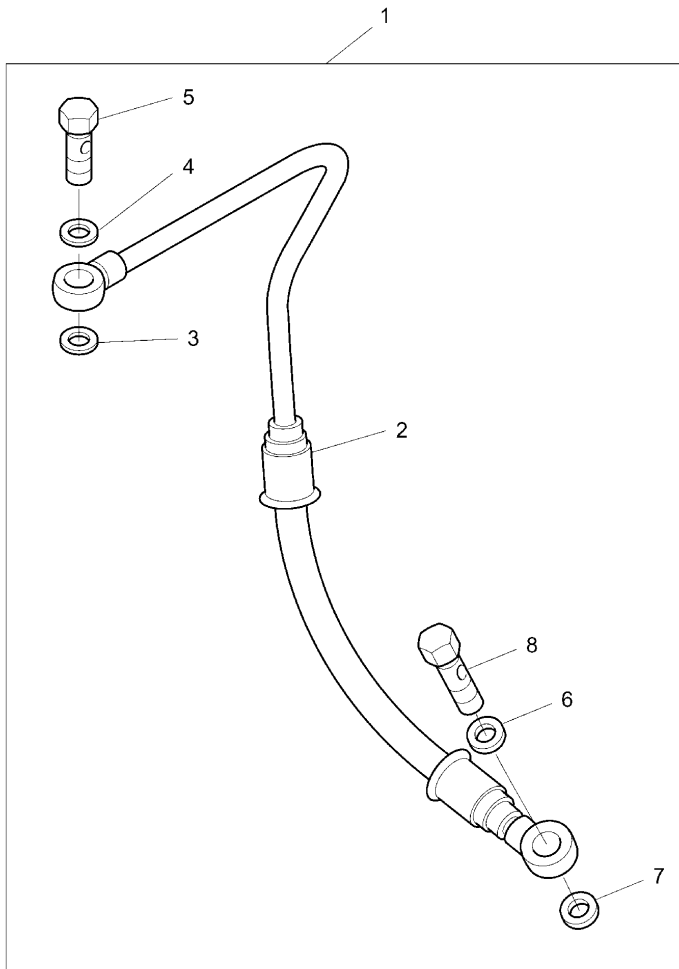
A-05  
17

FUEL PIPINGS



A0517

Rex Tier 2 fp/cab  
desp. 80 F/GE

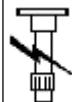


1	4128A032		1	PIPE
		T-A 0:50		
2		!	1	PIPE
		➡	4128A032	
3	2131A506	!	1	WASHER
4	2131A506	!	1	WASHER
5	3218R036	!	1	BOLT
6	2131A506	!	1	WASHER
7	2131A506	!	4	WASHER
8	3218R036	!	2	BOLT
!	THIS IS A COMPONENT OF AN ASSEMBLY			
➡	NOT SERVICED, ORDER			
T-A	Replacement			

ENGINE

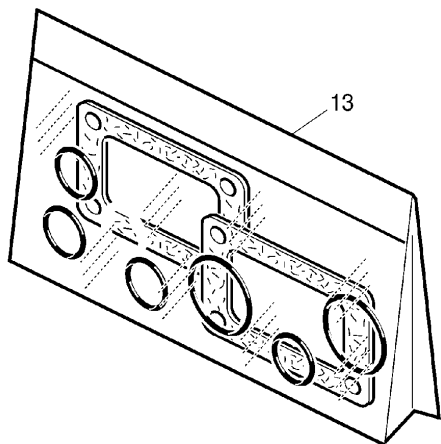
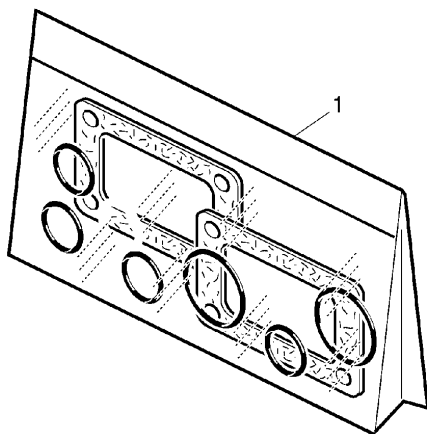
A-05  
18

ENGINE MAINTENANCE KIT



A0518

Rex Tier 2 fp/cab  
desp. 80 F/GE

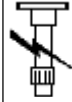


1	U5LT0351	●	U5LT0355 (1)	1	KIT
2	3681E045	●	3681E049 (1)	1	GASKET
		!	1		
3	3681A057	!	1	1	COVER
4	2415H008	●	2415H219 (1)	1	RING
		!	1		
5	3681V513	!	1	1	GASKET
6	3684N503	●	3693794M1 (3)	3	GASKET
		!	1		
7	2418M514	●	N.L.S. (6)	6	RING
		!	1		
8	L311FF02	!	1	3	WASHER
9	3688A029	!	1	1	UNIVERSAL
10	3688A035	!	1	1	RING
11	3688A036	!	1	1	RING
12	3688A037	!	1	1	RING
13	U5LB0379	▼		1	KIT
14	3681K038	!	13	1	GASKET
15	2415715	!	13	1	RING
16	36832137	!	13	1	GASKET
17	3617V015	●	3681P053 (1)	1	GASKET
		!	13		
18	3617V016	!	13	1	GASKET
19	3681P046	!	13	1	GASKET
20	26420318	!	13	1	RING
21	3688A039	!	13	2	GASKET
22	3688A041	!	13	1	RING
23	3682A011	!	13	1	GASKET
24	3688A035	!	13	1	RING
25	3688A036	!	13	1	RING

! THIS IS A COMPONENT OF AN ASSEMBLY  
 ▲ TOP  
 ▼ LOWER COMPONENT

ENGINE ANCILLARY EQUIPMENT

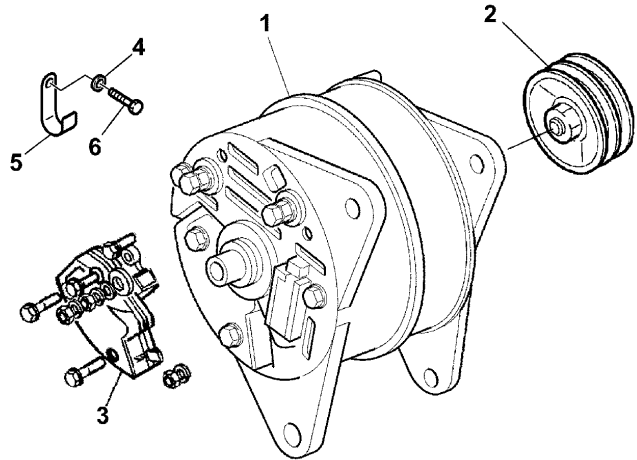
C-32  
01



C3201

Rex Tier 2 fp/cab  
desp. 80 F/GE

ALTERNATOR



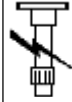
1	3671193M91	A	1	ALTERNATOR
		65 A		
		T-A 0:50		
1	3671529M91	B	1	ALTERNATOR
		85 A		
2	3676477M1	!	1	PULLEY
3	3676478M1	!	1	ADJUSTER
4	390971X1		1	WASHER
5	3307616M1		1	CLAMP
6	391894X1		1	SCREW
!	THIS IS A COMPONENT OF AN ASSEMBLY			
A	FOR PLATFORM			
B	FOR CAB			
T-A	Replacement			



ENGINE ANCILLARY EQUIPMENT

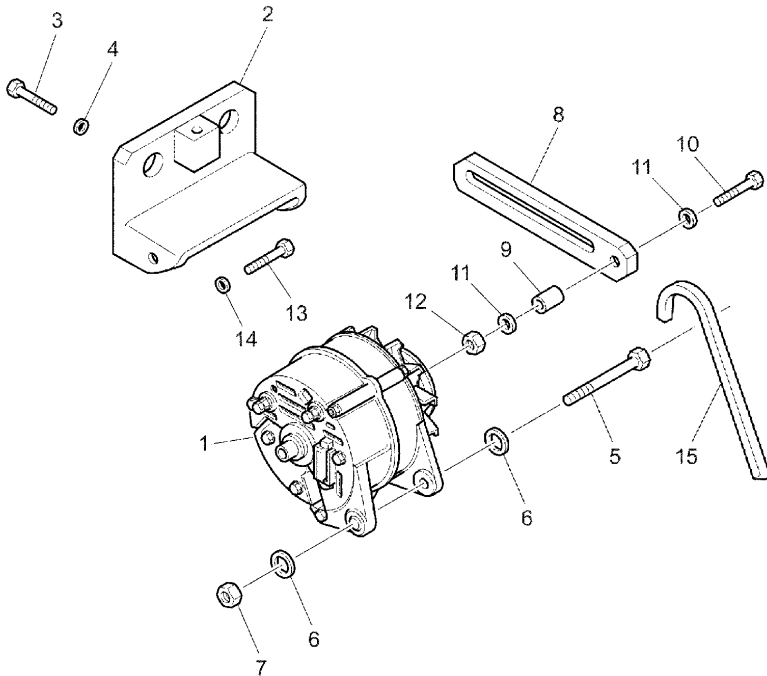
C-32  
02

ALTERNATOR POSITIONER



C3202

Rex Tier 2 fp/cab  
desp. 80 F/GE



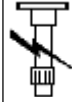
1	☞ C-32 01 01	1 ALTERNATOR
2	3675732M92	1 SUPPORT
	T-A 0:50	
3	339401X1	2 SCREW
4	1440314X1	2 LOCK & SEA
5	391245X1	1 SCREW
6	390972X1	2 WASHER
7	1441461X1	1 NUT
8	3668231M1	1 SUPPORT
	T-A 0:50	
9	3671639M1	1 SPACER
	T-A 0:50	
10	3009503X1	1 SCREW
11	390734X1	2 WASHER
12	1441932X1	1 NUT
13	339761X1	1 SCREW
14	391039X1	1 WASHER
15	3677935M1	1 BELT

☞ T-A 1:0  
SEE PAGE - REFERENCE NUMBER

T-A Replacement

ENGINE ANCILLARY EQUIPMENT

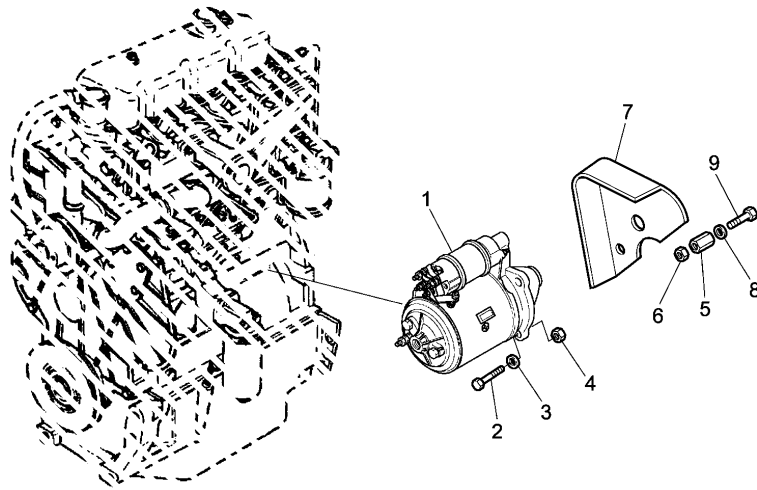
C-32  
03



C3203

Rex Tier 2 fp/cab  
desp. 80 F/GE

STARTER MOTOR



- |   |            |                          |   |            |
|---|------------|--------------------------|---|------------|
| 1 | 3669572M91 | "DENSO"<br>T-A 2:50      | 1 | STARTERMOT |
| 2 | 3009495X1  | ● 339018X1 (2)<br>M10X40 | 2 | SCREW      |
| 2 | 391005X1   | M10X25                   | 1 | STUD       |
| 3 | 1440314X1  |                          | 3 | LOCK & SEA |
| 4 | 3009694X1  |                          | 1 | NUT        |
| 5 | 3683103M1  |                          | 1 | SPACER     |
| 6 | 3539395M1  |                          | 1 | NUT        |
| 7 | 3681412M1  |                          | 1 | GUARD      |
| 8 | 3545498M1  |                          | 1 | WASHER     |
| 9 | 3683222M1  |                          | 1 | SCREW      |

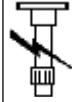
T-A Replacement

ENGINE ANCILLARY EQUIPMENT

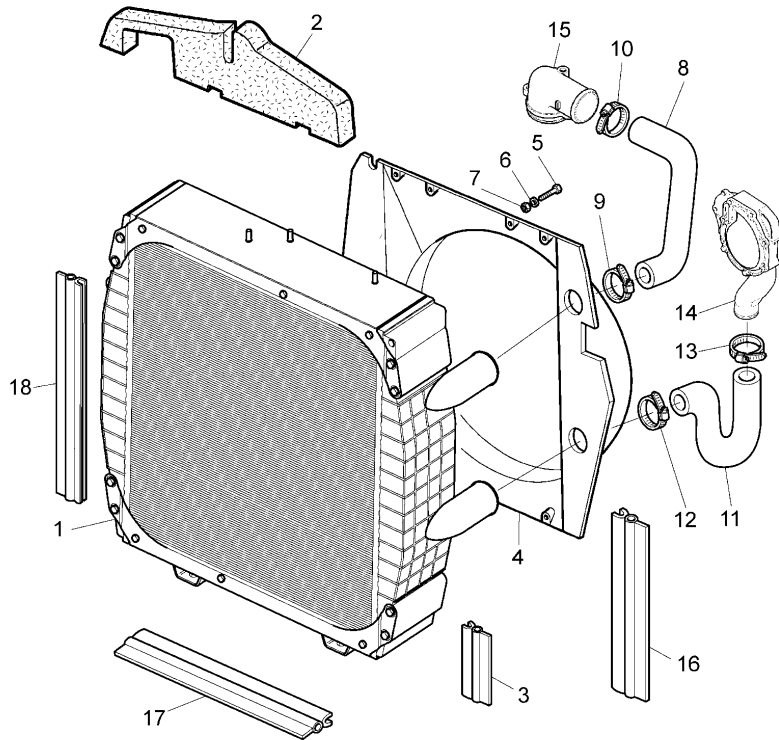
**C-32  
04**

COOLING SYSTEM - RADIATOR AND BRACKET

Rex Tier 2 fp/cab  
desp. 80 F/GE



C3204



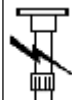
1	☞ C-32 07 01	1 RADIATOR
2	3671182M1	1 GASKET
	T-A 0:25	
3	3652084M2	2 GASKET
	T-A 0:25	
4	3674389M3 ● 3674389M4 (1)	1 CONVEYOR
	T-A 1:75	
5	339560X1 M6X16	8 SCREW
6	391038X1	8 WASHER
7	339375X1	8 LOCK WASHE
8	3668190M1	1 MANICOTT
	T-A 0:50	
9	3307667M91	1 CLAMP
10	3307666M91	1 CLAMP
11	3668204M1	1 MANICOTT
	T-A 0:50	
12	3307667M91	1 CLAMP
13	3307666M91	1 CLAMP
14	☞ A-05 12 01	1 PUMP
15	☞ A-05 12 18	1 THERMOSTAT
16	3685806M1	1 GASKET
17	3652085M2	1 GASKET
18	3648330M1	1 GASKET
☞	SEE PAGE - REFERENCE NUMBER	
T-A	Replacement	

ENGINE ANCILLARY EQUIPMENT

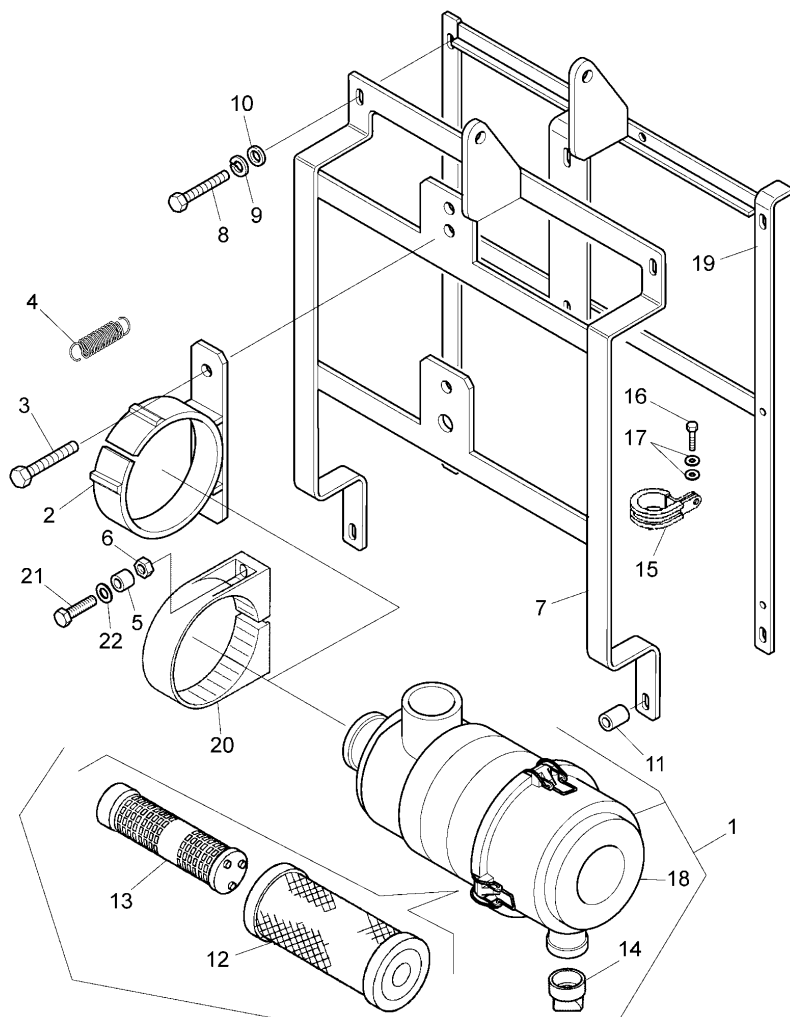
C-32  
05

DRY AIR FILTER - DUAL ELEMENT

Rex Tier 2 fp/cab  
desp. 80 F/GE



C3205



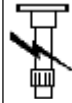
1	3543545M91	"DONALDSON" T-A 0:50 T-B 0:25	1	FILTER
2	3668814M91	A B T-A 0:50	1	SUPPORT
3	339666X1	A B M6X20	1	SCREW
4	3542903M92	A B T-A 0:25	1	SPRING
5	1425456M1	C	2	SPACER
6	339169X1	● 394367X1 (2) C	2	NUT
7	3687405M91	● 3687405M92 (1) A B	1	FRAME
8	339666X1	C M6X20	4	SCREW
8	339804X1	A B M6X25	4	SCREW
9	391038X1		4	WASHER
10	339375X1		4	LOCK WASHE
11	3531661M2	A B	4	SPACER
12	3540046M1	! 1	1	ELEMENT
13	3540047M1	! 1	1	ELEMENT
14	3540050M1	! 1	1	VALVE
15	3657766M91		1	CLAMP

ENGINE ANCILLARY EQUIPMENT

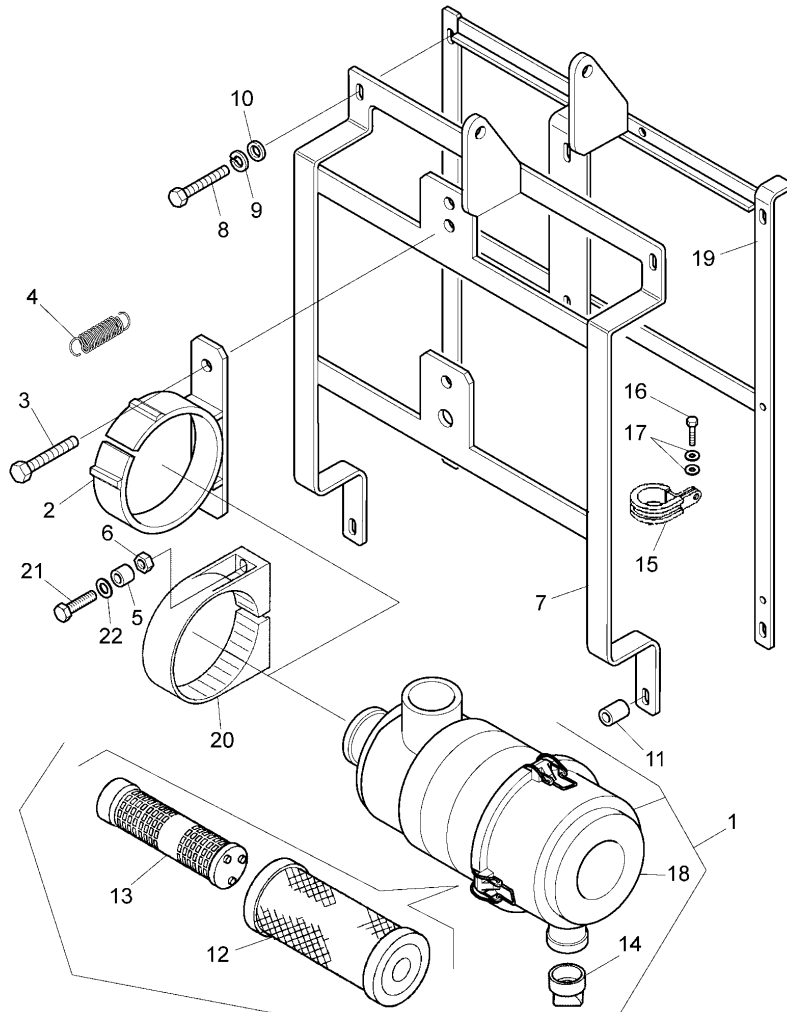
C-32  
05

DRY AIR FILTER - DUAL ELEMENT

Rex Tier 2 fp/cab  
desp. 80 F/GE



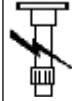
C3205



16	1441914X1	M6X18	1	SCREW
17	390971X1		2	WASHER
18	3541364M91	!	1	COVER
19	3693976M91	●	3693976M93 (1)	1
			C	FRAME
20	3666022M1	C		1
				CLAMP
21	339011X1	C		2
				SCREW
		M8X45		
22	390972X1	C		4
				WASHER
!	THIS IS A COMPONENT OF AN ASSEMBLY			
A	WITH CAB CONDITIONED AIR			
B	VERSION "F"			
C	WITHOUT CONDITIONED AIR			
T-A	Replacement			
T-B	Overhaul			

ENGINE ANCILLARY EQUIPMENT

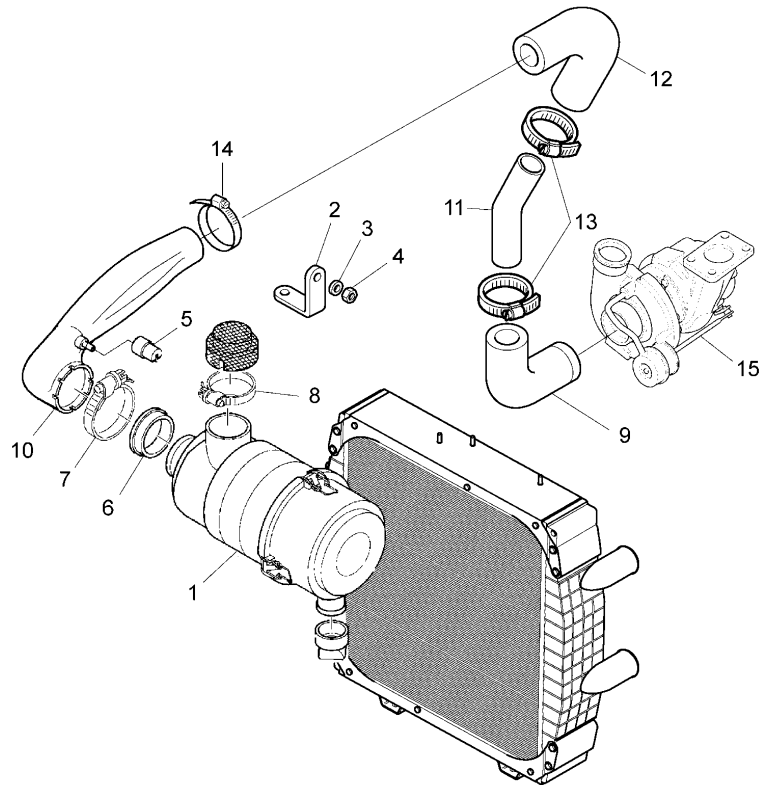
**C-32  
06**



C3206

Rex Tier 2 fp/cab  
desp. 80 F/GE

DRY AIR FILTER - DUAL ELEMENT



- |     |   |   |                  |
|-----|---|---|------------------|
| 1   | ☞ C-32 05 01  | 1 | AIR FILTER       |
| 2   | 3671889M3   | 1 | STIRRUP          |
| 3   | 390971X1  | 1 | WASHER           |
| 4   | 339030X1 ● 1441500X1 (1)                                    | 1 | NUT              |
| 5   | 3666635M1 ● 3534833M91 (1)<br>"FMDI"<br>4.8 KPA<br>T-A 0:25 | 1 | SWITCH,IND       |
| 6   | 3666062M3<br>T-A 0:50                                       | 1 | GASKET           |
| 7   | 3307669M91  | 1 | CLAMP            |
| 8   | 394306X1  | 1 | RETAINER         |
| 9   | 3674592M2 ● 3674592M4 (1)<br>T-A 0:50                       | 1 | MANICOTT         |
| 10  | 3668866M91<br>T-A 0:50                                      | 1 | PIPE             |
| 11  | 3670717M2 ● 3670717M4 (1)<br>T-A 0:50                       | 1 | PIPE             |
| 12  | 3670718M1<br>T-A 0:50                                       | 1 | MANICOTT         |
| 13  | 3307668M91 ● 3307667M91 (2)                                 | 2 | CLAMP            |
| 14  | 3307666M91  | 1 | CLAMP            |
| 15  | ☞ A-05 16 1   | 1 | TURBOCHARGE<br>R |
| ☞   | SEE PAGE - REFERENCE NUMBER                                 |   |                  |
| T-A | Replacement   |   |                  |

ENGINE ANCILLARY EQUIPMENT

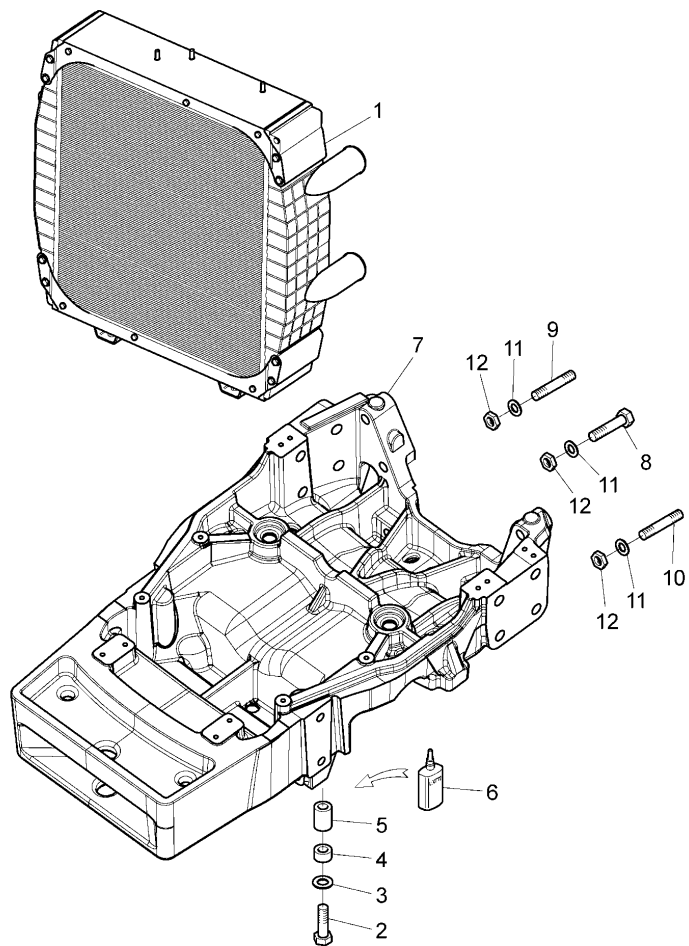
C-32  
07

COOLING SYSTEM - RADIATOR AND BRACKET



C3207

Rex Tier 2 fp/cab  
desp. 80 F/GE

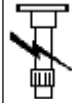


- |    |            |     |                 |     |            |
|----|------------|-----|-----------------|-----|------------|
| 1  | 3678800M91 | ●   | 3685422M91 (1)  | 1   | RADIATOR   |
|    |            | ⌋   | 3685423M91      |     |            |
|    |            |     | B               |     |            |
|    |            |     | "IRIA"          |     |            |
| 1  | 3685423M91 | ●   | 3685422M91 (1)  | 1   | RADIATOR   |
|    |            | ⌋   | 3678800M91      |     |            |
|    |            |     | B               |     |            |
|    |            |     | "COG"           |     |            |
| 2  | 339204X1   |     | M10X65          | 2   | SCREW      |
| 3  | 392875X1   |     |                 | 4   | WASHER     |
| 4  | 1825040M2  |     |                 | 4   | DAMPER     |
|    |            |     | T-A 1:75        |     |            |
| 5  | 3532530M1  |     |                 | 2   | SPACER     |
| 6  | 3663814M1  | ●   | 1427801M2 (999) | 999 | LOCTITE    |
| 7  | 3692350M1  |     |                 | 1   | SUPPORT    |
|    |            |     | T-A 4:0         |     |            |
| 8  | 339498X1   |     | M16X110         | 2   | SCREW      |
| 9  | 392476X1   |     | M16X70          | 2   | STUD       |
| 10 | 1440042X1  |     | M16X80          | 2   | STUD       |
| 11 | 391414X1   |     |                 | 6   | LOCK WASHE |
| 12 | 339034X1   |     |                 | 6   | NUT        |
|    |            | ⌋   | ALTERNATIVE     |     |            |
|    |            | B   | A 4 ELEMENTS    |     |            |
|    |            | T-A | Replacement     |     |            |

ENGINE ANCILLARY EQUIPMENT

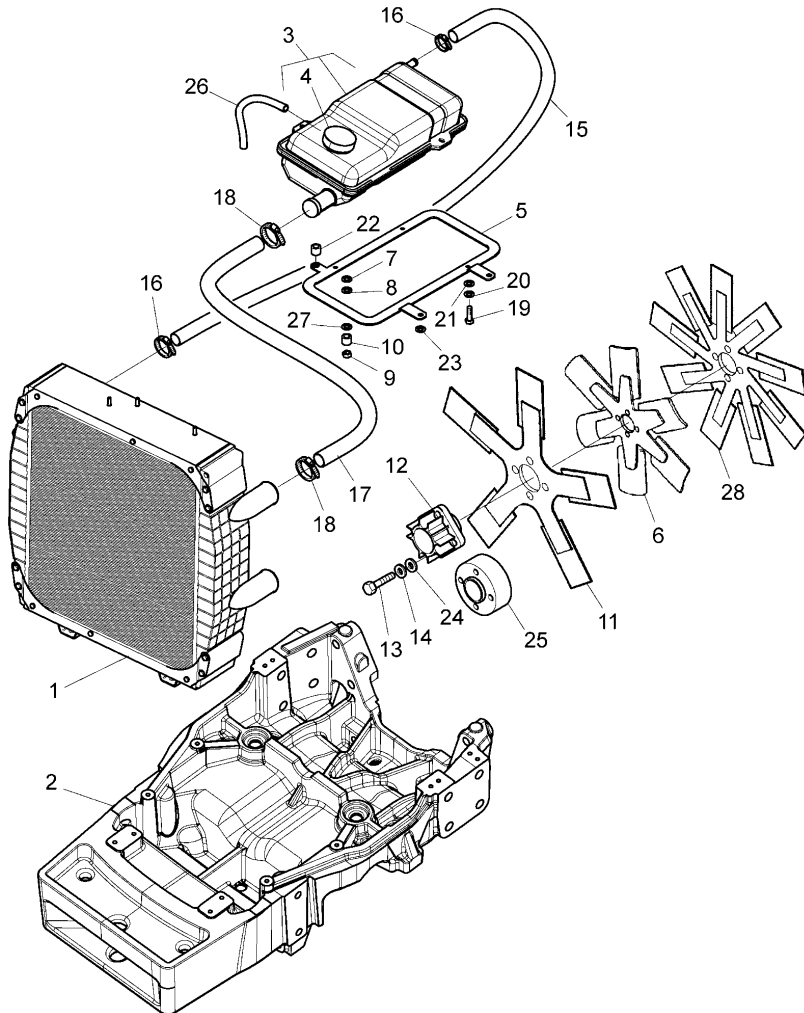
**C-32  
08**

COOLING SYSTEM - RADIATOR AND BRACKET



C3208

Rex Tier 2 fp/cab  
desp. 80 F/GE



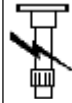
1	◇	C-32 07 01	1	RADIATOR
2	◇	C-32 07 07	1	SUPPORT
3		3671464M92	1	JAR
4	!	3671126M91	1	PLUG
5		3680041M91	1	SUPPORT
6	●	3658332M1	1	FAN
	⚡	2485C811 (1)		
		3674512M91		
		G		
		"TRUFLO"		
		T-A 1:75		
6	⚡	3674512M91	1	FAN
		3658332M1		
		"ROSATI"		
		T-A 1:75		
7		390971X1	5	WASHER
8		339375X1	5	LOCK WASHE
9	●	339030X1	2	NUT
10		3553620M1	2	SPACER
11		3674273M91	1	FAN
		A		
		D		
		T-A 1:75		
12		3678804M2	1	SPACER
		B		
		C		
		F		
		T-A 1:75		



ENGINE ANCILLARY EQUIPMENT

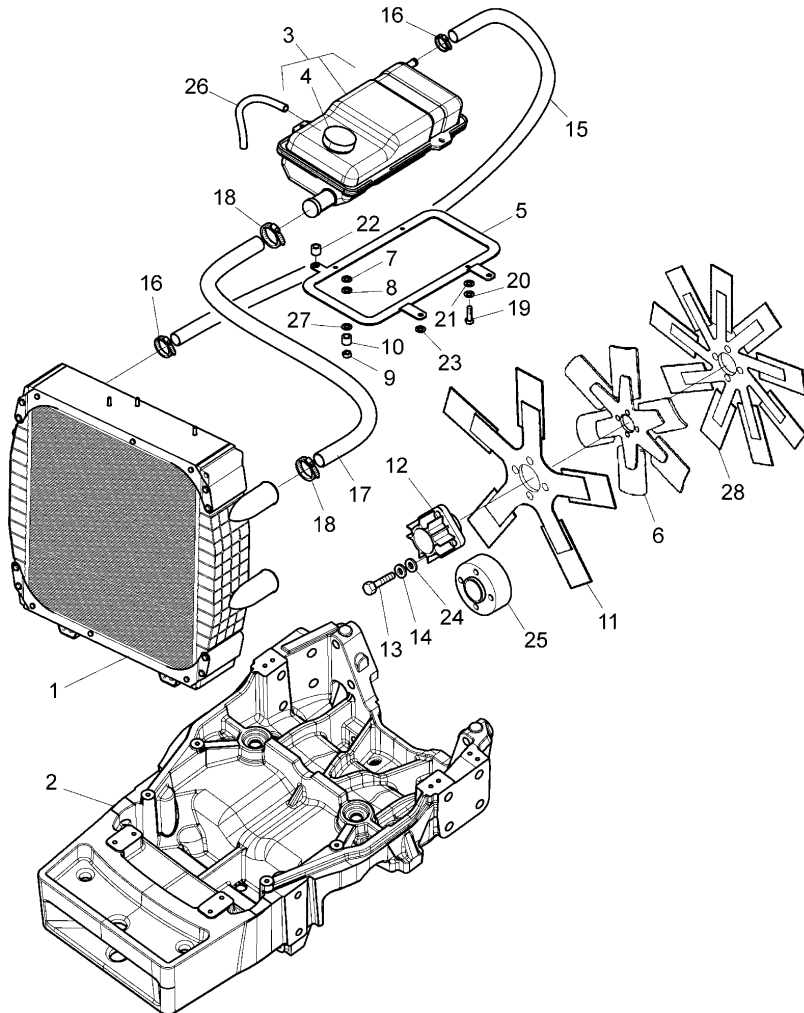
C-32  
08

COOLING SYSTEM - RADIATOR AND BRACKET



C3208

Rex Tier 2 fp/cab  
desp. 80 F/GE



13	339159X1	M8X65	4	SCREW
13	339368X1	A D M8X60	4	SCREW
14	339374X1		4	LOCK & SEA
15	3674317M1		1	MANICOTT
16	3019572X1	T-A 0:25	2	CLAMP
17	3678351M2	● 394301X1 (2)	1	PIPE
18	3664416M1	T-A 0:25	2	CLAMP
19	391286X1	M8X85	1	SCREW
20	390972X1		1	WASHER
21	339374X1		1	WASHER
22	3533063M1		1	SPACER
23	3550096M1		3	SPACER
24	390972X1		4	WASHER
25	3674276M4		1	SPACER
26	3534500M1	T-A 1:75	1	PIPE
27	339375X1		3	LOCK WASHE
28	3678642M91	B C F T-A 1:75	1	FAN

ENGINE ANCILLARY EQUIPMENT

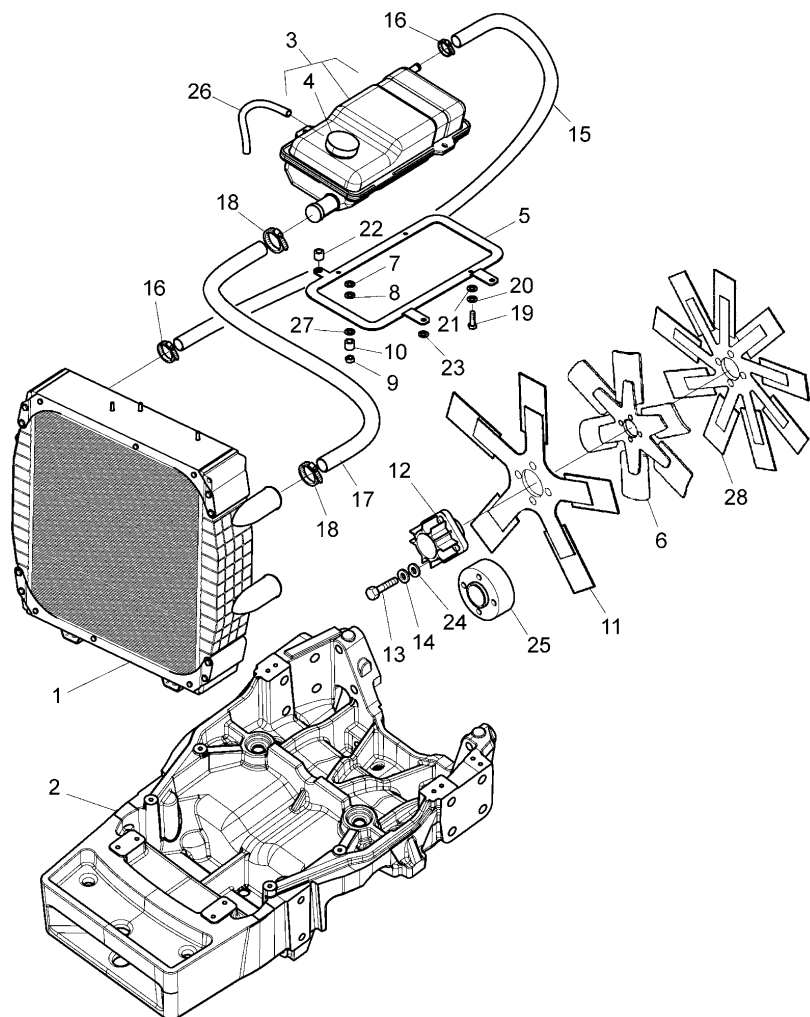
**C-32  
08**

COOLING SYSTEM - RADIATOR AND BRACKET

Rex Tier 2 fp/cab  
desp. 80 F/GE



C3208

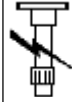


- ! THIS IS A COMPONENT OF AN ASSEMBLY
- ⊕ SEE PAGE - REFERENCE NUMBER
- ⌞ ALTERNATIVE
- A FOR MILD CLIMATE
- B FOR TROPICAL CLIMAT
- C WITH CAB CONDITIONED AIR
- D WITHOUT CONDITIONED AIR
- F VERSION "F"
- G WIYH 6 FANS
- T-A Replacement

ENGINE ANCILLARY EQUIPMENT

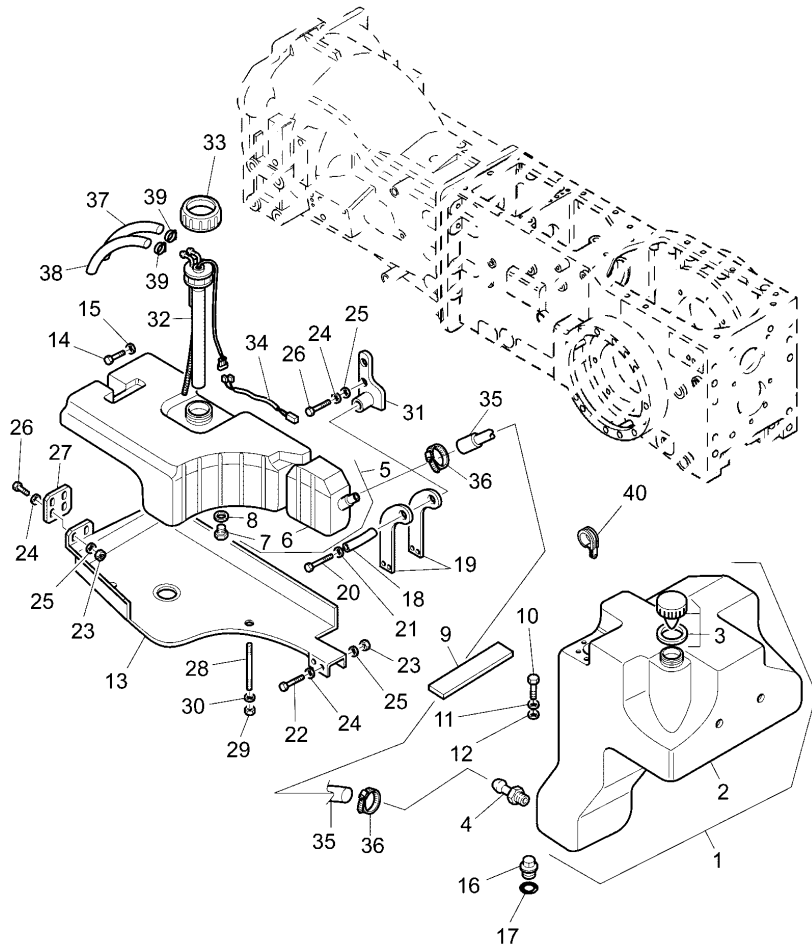
C-32  
09

FUEL TANK



C3209

Rex Tier 2 fp/cab  
desp. 80 F/GE

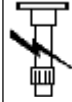


- |    |              |                |   |            |
|----|--------------|----------------|---|------------|
| 1  | 3671461M92 ● | 3671461M94 (1) | 1 | TANK       |
|    |              | T-A 5:50       |   |            |
| 2  | 3670459M92 ● | N.L.S. (1)     | 1 | TANK       |
|    | !            | 1              |   |            |
|    |              | T-A 5:50       |   |            |
| 3  | 3307650M91 ! | 1              | 1 | PLUG       |
|    |              | (X) 0.1.3.5    |   |            |
|    |              | T-A 0:25       |   |            |
| 4  | 3671969M2    | A              | 1 | UNION      |
| 5  | 3673001M93   | A              | 1 | KIT        |
|    |              | T-A 1:50       |   |            |
| 6  | 3670187M93 ● | N.L.S. (1)     | 1 | TANK       |
|    | !            | 5              |   |            |
|    |              | T-A 1:50       |   |            |
| 7  | 3553478M1 !  | 5              | 1 | PLUG       |
| 8  | 1441119X1 ●  | 364784X1 (1)   | 1 | O RING     |
|    | !            | 5              |   |            |
| 9  | 3548431M1    |                | 1 | GASKET     |
| 10 | 339560X1     | M6X16          | 2 | SCREW      |
| 11 | 390971X1     |                | 2 | WASHER     |
| 12 | 339375X1     |                | 2 | LOCK WASHE |
| 13 | 3669591M93   | A              | 1 | CRANKCASE  |
| 14 | 339123X1     | A              | 4 | SCREW      |
|    |              | M8X20          |   |            |
| 15 | 339374X1     |                | 4 | LOCK & SEA |
| 16 | 3671903M1    |                | 1 | PLUG       |
| 17 | 1440853X1    |                | 1 | GASKET     |
| 18 | 3670760M1    | A              | 1 | SPACER     |

ENGINE ANCILLARY EQUIPMENT

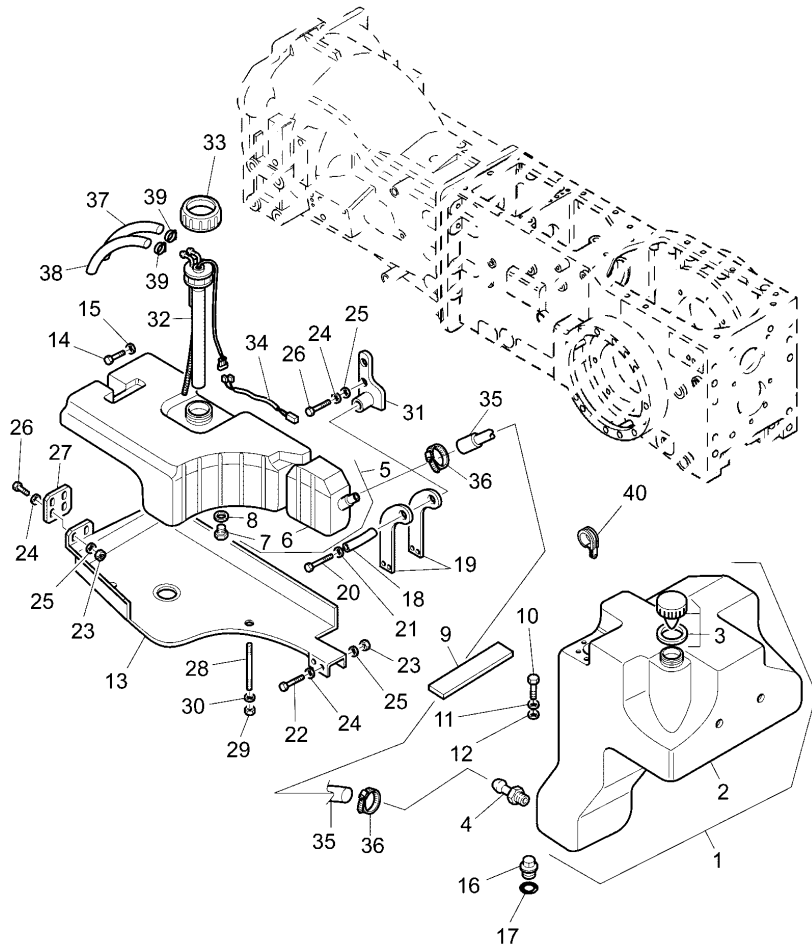
C-32  
09

FUEL TANK



C3209

Rex Tier 2 fp/cab  
desp. 80 F/GE



19	3670024M1	A	2	PLATE
20	3010971X1	A	1	SCREW
		M14X130		
21	1440276X1	● 390973X1 (1)	1	WASHER
		A		
22	339401X1	A	1	SCREW
		M10X25		
23	3009693X1	● 339402X1 (4)	4	NUT
		A		
24	390734X1	A	6	WASHER
25	1440314X1	A	6	LOCK & SEA
26	3009493X1	A	4	SCREW
27	3670039M2	A	1	PLATE
28	3670026M91	A	2	TIE ROD
29	1440329X1	A	2	NUT
30	390597X1	A	2	WASHER
31	3670025M92	A	1	SUPPORT
32	3682557M91	A	1	INDICATOR
33	3654964M1	A	1	FERRULE
		T-A 0:75		
34	3660938M92	A	1	HARNES
35	3670212M2	A	1	MANICOTT
36	3019572X1	● 394301X1 (2)	2	CLAMP
		A		
37	3538602M1		1	PIPE
38	3674373M1		1	PIPE
39	3551941M1		4	CLAMP
40	3657766M91	B	2	CLAMP
40	3657766M91	A	1	CLAMP

ENGINE ANCILLARY EQUIPMENT

C-32  
09

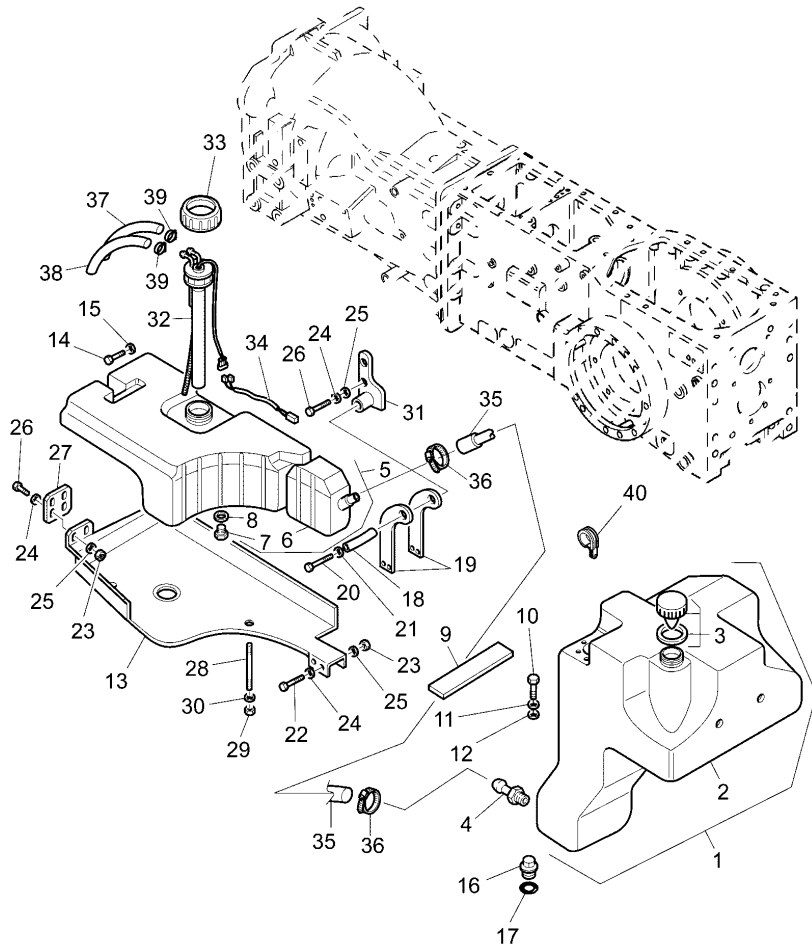
FUEL TANK



C3209

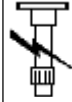
Rex Tier 2 fp/cab  
desp. 80 F/GE

- !
  - A
  - B
  - T-A
  - (X)
- THIS IS A COMPONENT OF AN ASSEMBLY  
WITH ADDITIONAL TANK  
WITHOUT ADDITIONAL TANK  
Replacement  
QTY PER TRACTORS SOLD (AA.BBB.CCC.DDD) (AA) FOR  
1,(BBB) 2-10 (CCC) 11-25 (DDD) 26-50



ENGINE ANCILLARY EQUIPMENT

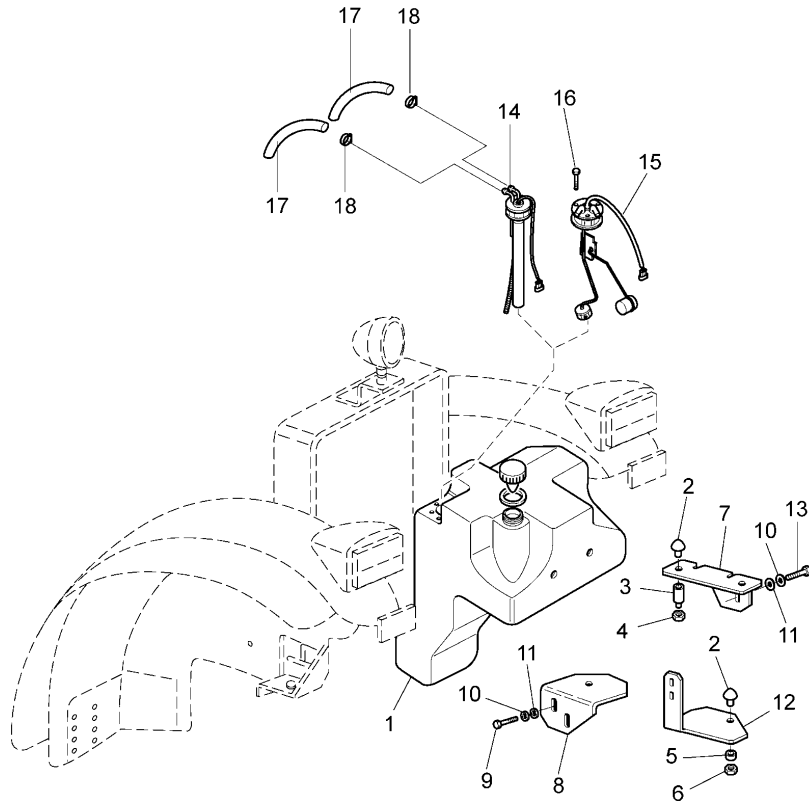
**C-32  
10**



C3210

Rex Tier 2 fp/cab  
desp. 80 F/GE

FUEL TANK



- |    |                  |              |
|----|------------------|--------------|
| 1  | ☞ C-32 09 01     | 1 TANK       |
| 2  | VP108193         | 3 PAD        |
| 3  | 3672986M1        | 3 PIN        |
| 4  | 339079X1         | 3 NUT        |
| 5  | 3531661M2        | 1 SPACER     |
| 6  | 1425214M1        | 1 NUT        |
| 7  | 3671840M5        | 1 SUPPORT    |
|    | ● 3671840M7 (1)  |              |
|    | ▶ T-A 5:50       |              |
| 8  | 3671838M3        | 1 SUPPORT    |
|    | ▶ T-A 5:50       |              |
| 9  | 339123X1         | 2 SCREW      |
|    | ▲ A              |              |
|    | M8X20            |              |
| 9  | 339761X1         | 2 SCREW      |
|    | ▲ B              |              |
|    | M8X25            |              |
| 10 | 339374X1         | 6 LOCK & SEA |
| 11 | 390972X1         | 6 WASHER     |
| 12 | 3675976M91       | 1 SUPPORT    |
|    | ▲ B              |              |
|    | E                |              |
| 13 | 339123X1         | 4 SCREW      |
|    | ▶ M8X20          |              |
| 14 | 3682554M91       | 1 INDICATOR  |
|    | ● 3682554M92 (1) |              |
|    | C                |              |
| 15 | 3672176M93       | 1 INDICATOR  |
|    | D                |              |
| 16 | 3015006X1        | 6 SCREW      |
| 17 | 3661039M1        | 2 PIPE       |
| 17 | 3661039M1        | 1 PIPE       |
| 18 | 3551941M1        | 4 CLAMP      |

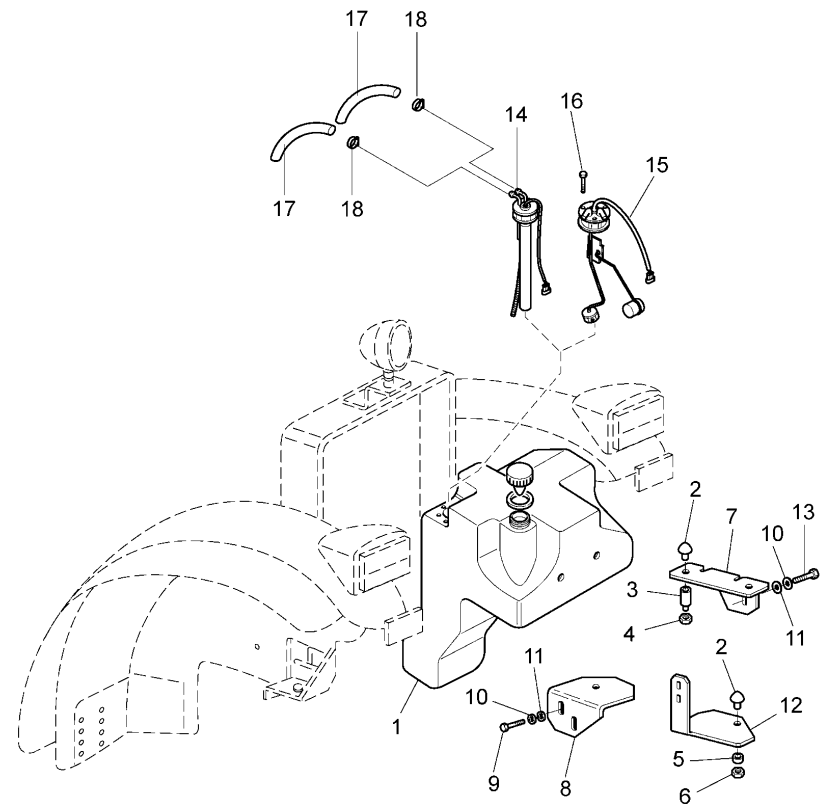
ENGINE ANCILLARY EQUIPMENT

**C-32**  
**10**

FUEL TANK

Rex Tier 2 fp/cab  
desp. 80 F/GE

C3210



SEE PAGE - REFERENCE NUMBER

A

WITH PLATFORM

B

WITH CAB

C

WITHOUT ADDITIONAL TANK

D

WITH ADDITIONAL TANK

E

VERSION "F"



LEFT HAND



RIGHT HAND

T-A

Replacement

ENGINE ANCILLARY EQUIPMENT

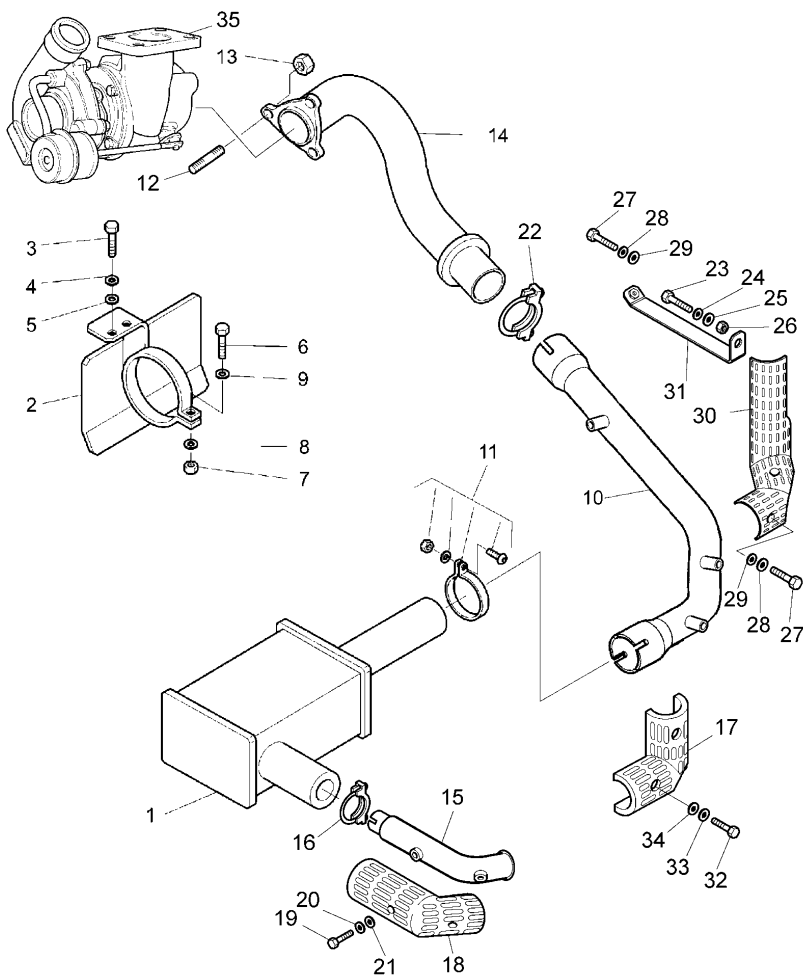
C-32  
11

EXHAUST SYSTEM - "HORIZONTAL"



C3211

Rex Tier 2 fp/cab  
desp. 80 F/GE



- |    |            |   |                |   |            |
|----|------------|---|----------------|---|------------|
| 1  | 3668841M91 | ● | 4209075M91 (1) | 1 | SILENCER   |
|    |            |   | T-A 0:75       |   |            |
| 2  | 3667955M95 | ● | 3667955M96 (1) | 1 | SUPPORT    |
|    |            |   | T-A 0:75       |   |            |
| 3  | 339337X1   |   | M8X30          | 2 | SCREW      |
| 4  | 390972X1   |   |                | 2 | WASHER     |
| 5  | 339374X1   |   |                | 2 | LOCK & SEA |
| 6  | 391176X1   |   | M8X40          | 1 | BOLT       |
| 7  | 339169X1   | ● | 394367X1 (1)   | 1 | NUT        |
| 8  | 390972X1   |   |                | 1 | WASHER     |
| 9  | 339374X1   |   |                | 1 | LOCK WASHE |
| 10 | 3673312M3  |   |                | 1 | PIPE       |
| 11 | 3654139M91 |   |                | 1 | CLAMP      |
| 12 | 391006X1   |   | M10X30         | 3 | STUD       |
| 13 | 1440213X1  |   |                | 3 | NUT        |
| 14 | 3673352M2  |   |                | 1 | ELBOW      |
|    |            |   | T-A 0:50       |   |            |
| 15 | 3657241M93 |   |                | 1 | EXTENSION  |
|    |            |   | T-A 0:25       |   |            |
| 16 | 3535795M91 |   |                | 1 | CLAMP      |
| 17 | 3675506M92 |   | A              | 1 | PROTECTOR  |
| 18 | 3657240M91 |   |                | 1 | GUARD      |
| 19 | 339160X1   |   | M5X10          | 2 | SCREW      |
| 20 | 3019560X1  |   |                | 2 | LOCK WASHE |
| 21 | 339381X1   |   |                | 2 | LOCK WASHE |
| 22 | 3535795M91 |   |                | 1 | CLAMP      |



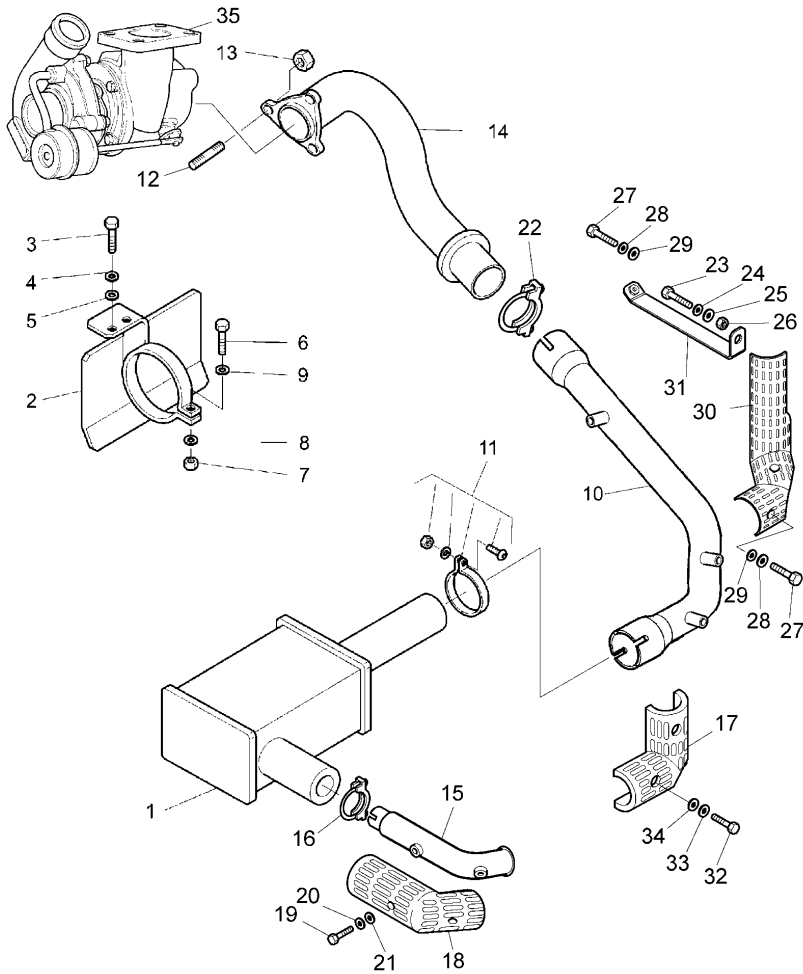
ENGINE ANCILLARY EQUIPMENT

C-32  
11

EXHAUST SYSTEM - "HORIZONTAL"

Rex Tier 2 fp/cab  
desp. 80 F/GE

C3211

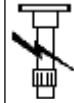


23	3009291X1	B	1	SCREW
		M10X20		
24	390734X1	B	1	WASHER
25	1440314X1	B	1	LOCK & SEA
26	339374X1	B	1	LOCK WASHE
27	339160X1	B	3	SCREW
		M5X10		
28	3019560X1	B	3	LOCK WASHE
29	339381X1	B	3	LOCK WASHE
30	3677482M92	B	1	GUARD
31	3677476M91	B	1	STIRRUP
32	339160X1	A	2	SCREW
		M5X10		
33	3019560X1	A	2	LOCK WASHE
34	339381X1	A	2	LOCK WASHE
35	⊕ A-05 16 01		1	PIPE
⊕	SEE PAGE - REFERENCE NUMBER			
A	WITH PLATFORM			
B	WITHOUT POSTERIOR FLANKS			
T-A	Replacement			

ENGINE ANCILLARY EQUIPMENT

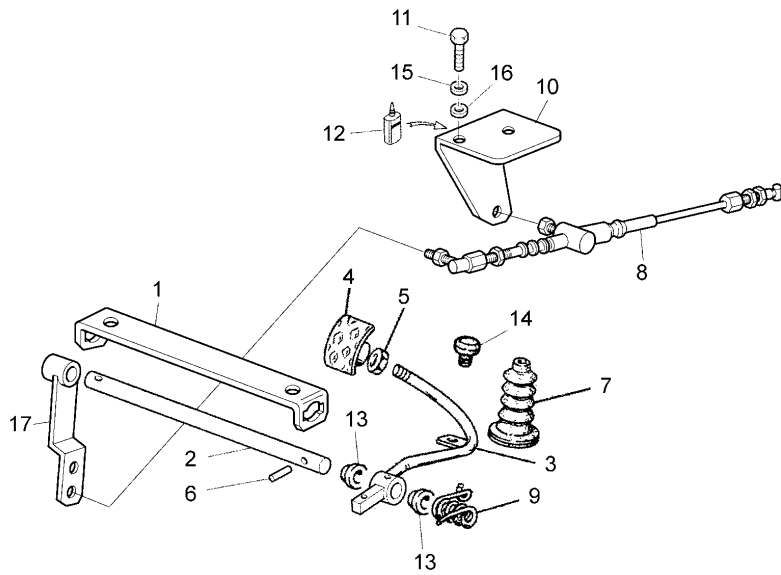
C-32  
12

HAND AND FOOT THROTTLE CONTROLS - PITMAN



C3212

Rex Tier 2 fp/cab  
desp. 80 F/GE



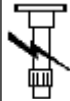
1	3669686M92		1	SUPPORT
2	3669685M2		1	PIN
3	3669683M91	T-A 0:50	1	PEDAL
4	3546579M92	T-A 0:50	1	FLOOR
5	3009694X1	T-A 0:25	1	NUT
6	1441723X1	● 1441725X1 (1)	1	DOWEL
7	3300393M1	T-A 0:25	1	GUARD
8	3674661M92	● 4206575M91 (1)	1	CABLE
9	3546581M1	T-A 1:0	1	SPRING
10	3669684M92	T-A 0:50	1	SUPPORT
11	339124X1	T-A 0:25	4	SCREW
12	3663814M1	● 1427801M2 (999)	999	LOCTITE
13	3532821M1	T-A 0:50	2	BUSH
14	3300129M1	T-A 0:25	1	PAD

ENGINE ANCILLARY EQUIPMENT

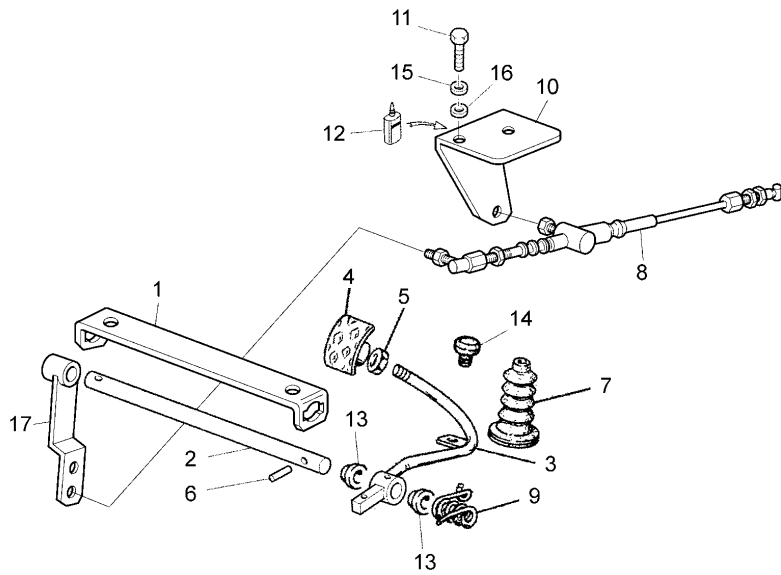
**C-32**  
**12**

HAND AND FOOT THROTTLE CONTROLS - PITMAN

Rex Tier 2 fp/cab  
desp. 80 F/GE



C3212



- |     |                             |   |            |
|-----|-----------------------------|---|------------|
| 15  | 339374X1                    | 4 | LOCK & SEA |
| 16  | 390972X1                    | 4 | WASHER     |
| 17  | ☞ C-32 13 11                | 1 | LEVER      |
| ☞   | SEE PAGE - REFERENCE NUMBER |   |            |
| T-A | Replacement                 |   |            |

ENGINE ANCILLARY EQUIPMENT

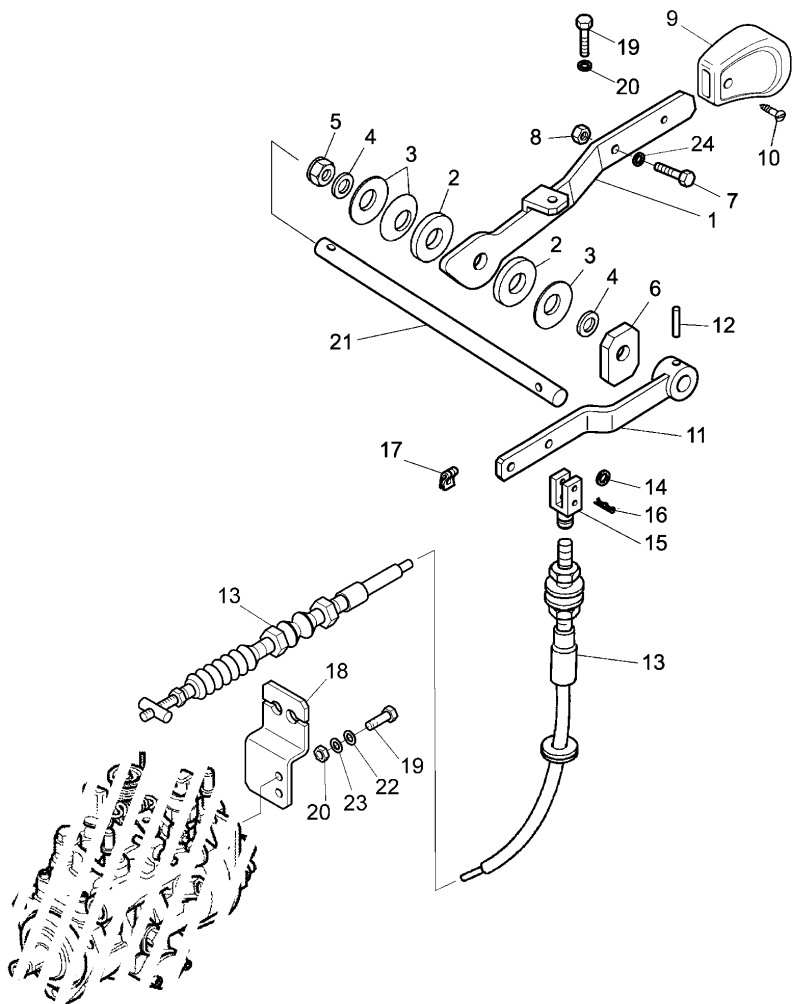
**C-32**  
**13**

HAND AND FOOT THROTTLE CONTROLS - PITMAN

Rex Tier 2 fp/cab  
desp. 80 F/GE



C3213

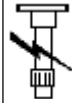


- |    |            |                  |   |           |
|----|------------|------------------|---|-----------|
| 1  | 3669915M91 |                  | 1 | LEVER     |
| 2  | 973078M2   | T-A 0:75         | 2 | DISC      |
| 3  | 973079M1   | T-A 0:75         | 3 | SPRING    |
| 4  | 390734X1   |                  | 1 | WASHER    |
| 5  | 390881X1   |                  | 1 | NUT       |
| 6  | 3673845M1  | ● 3673845M2 (1)  | 1 | SPACER    |
|    |            | T-A 0:75         |   |           |
| 7  | 339666X1   | M6X20            | 1 | SCREW     |
| 8  | 339030X1   | ● 1441500X1 (1)  | 1 | NUT       |
| 9  | 3662873M3  |                  | 1 | KNOB      |
|    |            | T-A 0:25         |   |           |
| 10 | 3002104X1  |                  | 1 | SCREW     |
| 11 | 3669687M91 |                  | 1 | LEVER     |
|    |            | T-A 0:75         |   |           |
| 12 | 1441723X1  | ● 1441725X1 (1)  | 1 | DOWEL     |
| 13 | 3674663M92 | ● 4206574M91 (1) | 1 | CABLE     |
|    |            | T-A 1:0          |   |           |
| 14 | 1442783X1  |                  | 1 | RING      |
| 15 | 3669845M2  |                  | 2 | PIN       |
| 16 | 1444438X1  |                  | 2 | LINCH PIN |

ENGINE ANCILLARY EQUIPMENT

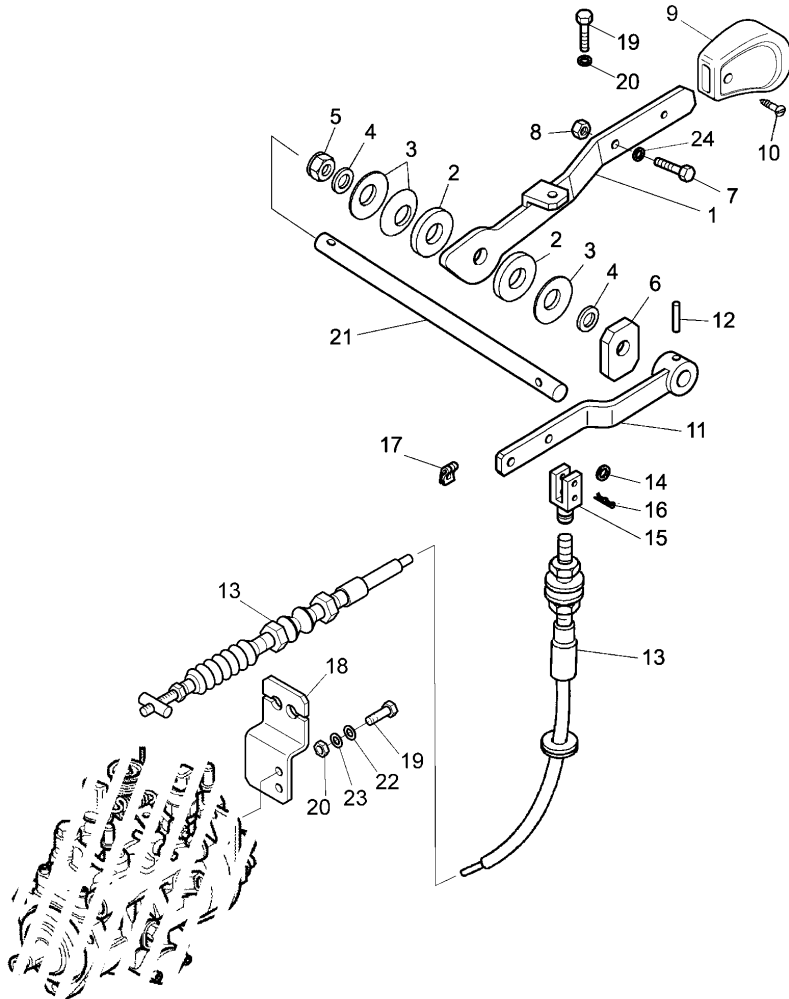
**C-32  
13**

HAND AND FOOT THROTTLE CONTROLS - PITMAN



C3213

Rex Tier 2 fp/cab  
desp. 80 F/GE



- |    |            |                 |   |            |
|----|------------|-----------------|---|------------|
| 17 | 3308153M1  |                 | 2 | RETAINER   |
| 18 | 3674629M93 |                 | 1 | STIRRUP    |
| 19 | 339666X1   | T-A 0:75        | 2 | SCREW      |
| 20 | 339030X1   | M6X20           | 2 | NUT        |
| 21 |            | ● 1441500X1 (2) | 2 | LOCK WASHE |
| 22 | 339375X1   | ◊ C-32 12 02    | 1 | PIN        |
| 23 | 390971X1   |                 | 2 | WASHER     |
| 24 | 339375X1   |                 | 1 | LOCK WASHE |



SEE PAGE - REFERENCE NUMBER

T-A

Replacement

ENGINE ANCILLARY EQUIPMENT

C-32  
14

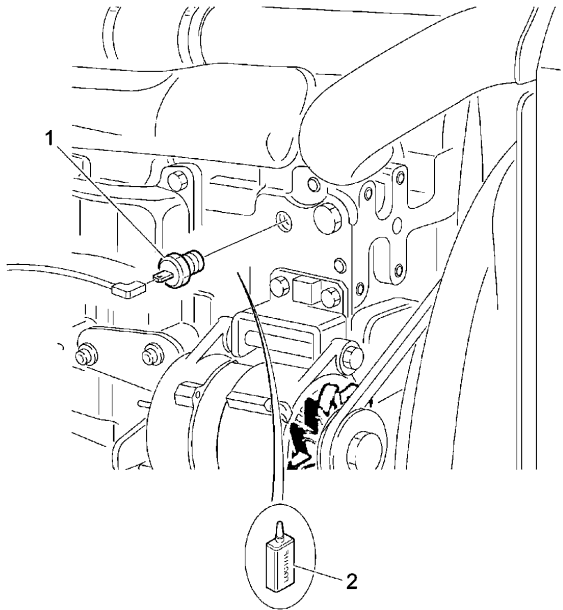
OIL TEMPERATURE

Rex Tier 2 fp/cab  
desp. 80 F/GE



C3214

- |   |           |                   |     |         |
|---|-----------|-------------------|-----|---------|
| 1 | 450519A1  | A                 | 1   | SENSOR  |
| 2 | 3663814M1 | ● 1427801M2 (999) | 999 | LOCTITE |
|   | A         | OIL TEMPERATURE   |     |         |
|   | T-A       | Replacement       |     |         |



ENGINE ANCILLARY EQUIPMENT

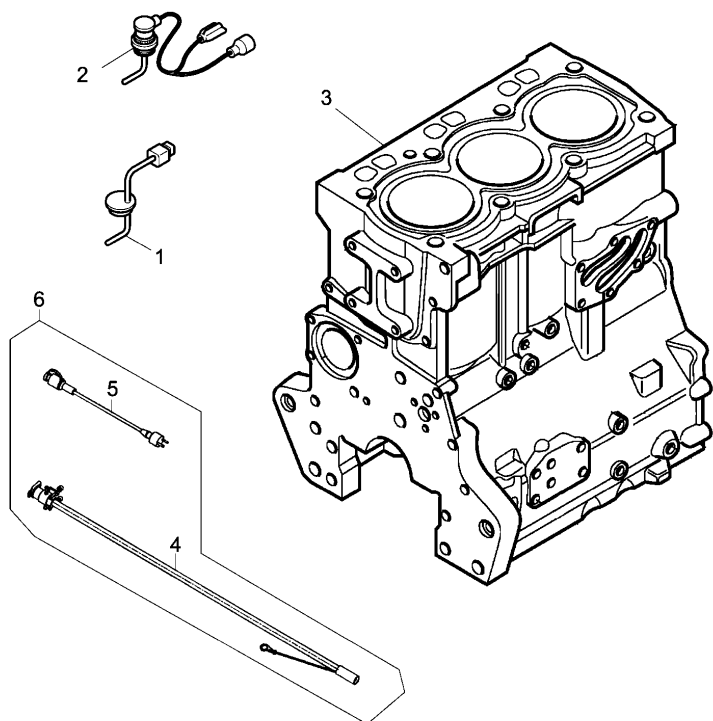
C-32  
15

HEATER - ENGINE BLOCK

Rex Tier 2 fp/cab  
desp. 80 F/GE



C3215



- |   |            |   |                              |   |            |
|---|------------|---|------------------------------|---|------------|
| 1 | 3686070M91 | ● |                              | 1 | GLOW PLUG  |
|   |            |   | A                            |   |            |
|   |            |   | T-A 0:25                     |   |            |
| 2 | 3686071M91 |   | B                            | 1 | GLOW PLUG  |
|   |            |   | T-A 0:25                     |   |            |
| 3 |            | ⊕ | A-05 02 01                   | 1 | CYLINDER B |
| 4 | 314722A1   | ! | 6                            | 1 | CABLE      |
| 5 | 314723A1   | ! | 6                            | 1 | CABLE      |
| 6 | 313126A2   | ● | 314723A1 (1)<br>314722A1 (1) | 1 | CABLE      |

! THIS IS A COMPONENT OF AN ASSEMBLY

⊕ SEE PAGE - REFERENCE NUMBER

A FOR "EUROPEAN" MARKET

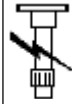
B FOR MARKET "N.A.O."

T-A Replacement

LIGHTING EQUIPMENT

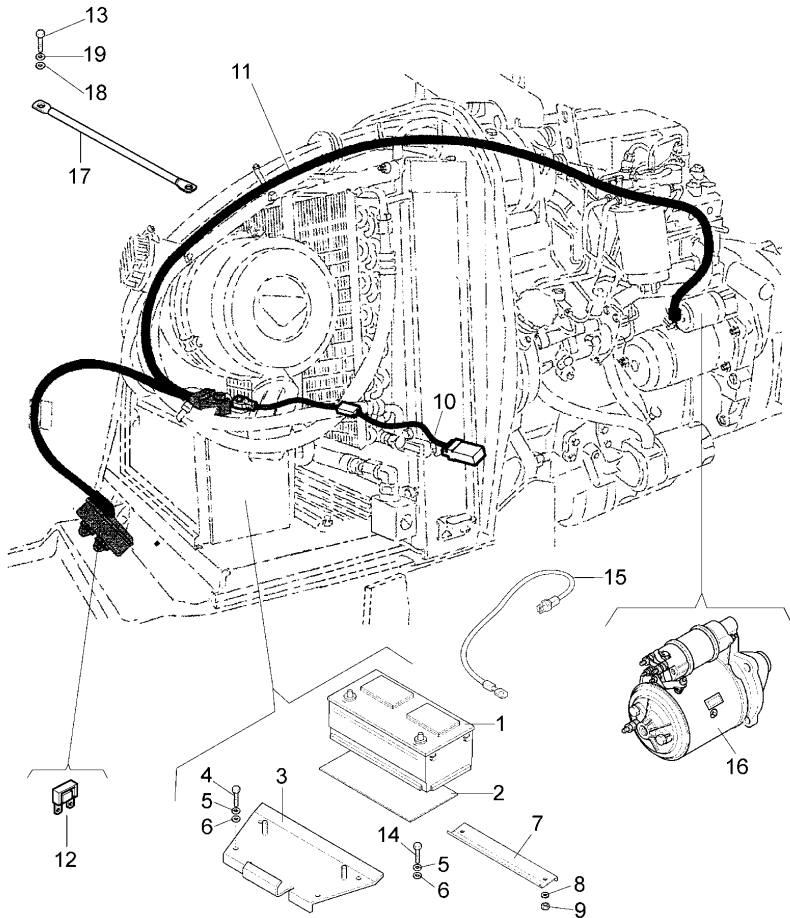
D-00  
01

BATTERY AND SUPPORT - FASTENING



D0001

Rex Tier 2 fp/cab  
desp. 80 F/GE



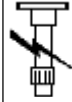
- |   |            |   |                |   |            |
|---|------------|---|----------------|---|------------|
| 1 | 3534408M91 | ● | E3653994M1 (1) | 1 | BATTERY    |
|   |            | ● | 3534413M91     |   |            |
|   |            | ● | 3548219M91     |   |            |
|   |            |   | "MARELLI"      |   |            |
|   |            |   | T-A 0:50       |   |            |
| 1 | 3534413M91 | ● | E3653994M1 (1) | 1 | BATTERY    |
|   |            | ● | 3534408M91     |   |            |
|   |            | ● | 3548219M91     |   |            |
|   |            |   | "SCAINI"       |   |            |
|   |            |   | T-A 0:50       |   |            |
| 1 | 3548219M91 | ● | E3653994M1 (1) | 1 | BATTERY    |
|   |            | ● | 3534408M91     |   |            |
|   |            | ● | 3534413M91     |   |            |
|   |            |   | "FIAMM"        |   |            |
|   |            |   | T-A 0:50       |   |            |
| 2 | 3547594M1  |   | T-A 0:50       | 1 | ABUTMENT   |
| 3 | 3668176M93 | ● | 3668176M95 (1) | 1 | SUPPORT    |
|   |            |   | T-A 1:25       |   |            |
| 4 | 3009440X1  | ● | 1441456X1 (2)  | 2 | SCREW      |
|   |            |   | M8X20          |   |            |
| 5 | 390972X1   |   |                | 2 | WASHER     |
| 6 | 339374X1   |   |                | 2 | LOCK & SEA |
| 7 | 3546948M2  |   |                | 1 | RETAINER   |
|   |            |   | T-A 0:25       |   |            |
| 8 | 390972X1   |   |                | 2 | WASHER     |
| 9 | 394367X1   |   |                | 2 | NUT        |



LIGHTING EQUIPMENT

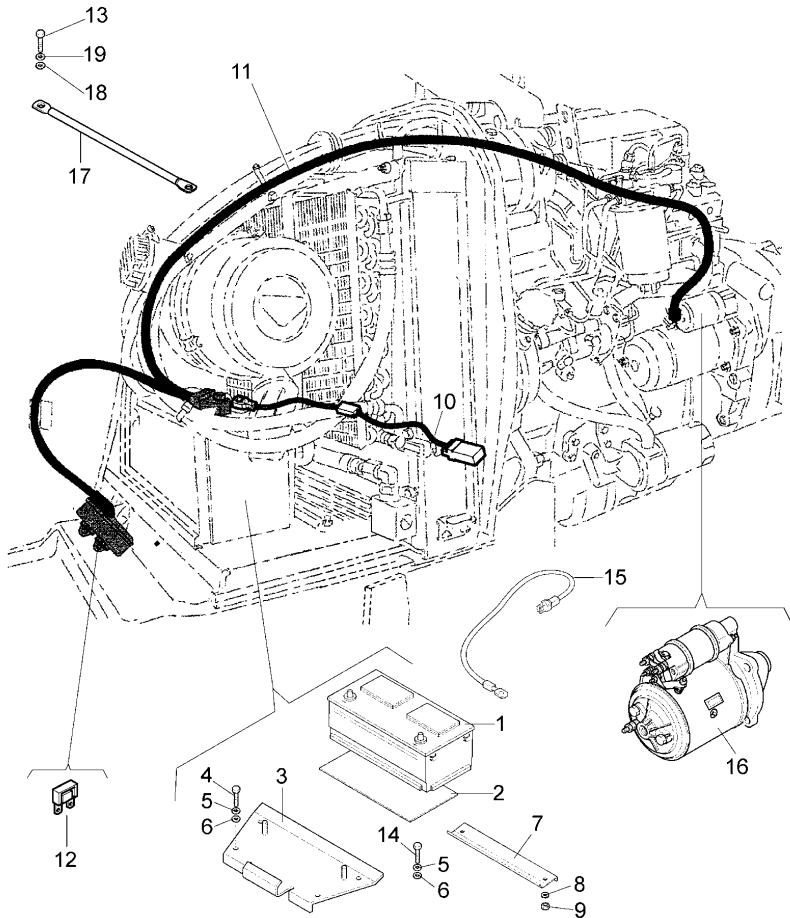
D-00  
01

BATTERY AND SUPPORT - FASTENING



D0001

Rex Tier 2 fp/cab  
desp. 80 F/GE



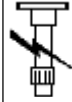
10	3676759M91	●	3676759M93 (1)	1	CABLE
			A		
11	3695142M91			1	HARNESS
			T-A 0:75		
12	3653924M1	!	11	3	FUSE
			60A		
12	3669719M91	!	11	1	FUSE
			70A		
12	3674124M1	!	11	1	FUSE
			50A		
12	3690909M1	!	11	1	FUSE
			20A		
13	339228X1		M8X12	1	SCREW
14	339124X1		M8X16	2	SCREW
15	3675442M91			1	CABLE
			T-A 0:75		
16		◇	C-32 03 01	1	MOTOR, ELE
17	3559514M91			1	CHAIN STRA
18	390972X1			1	WASHER
19	391025X1			1	LOCK WASHE
	!		THIS IS A COMPONENT OF AN ASSEMBLY		
	◇		SEE PAGE - REFERENCE NUMBER		
	⚡		ALTERNATIVE		
	A		WITH CAB		
	T-A		Replacement		

LIGHTING EQUIPMENT

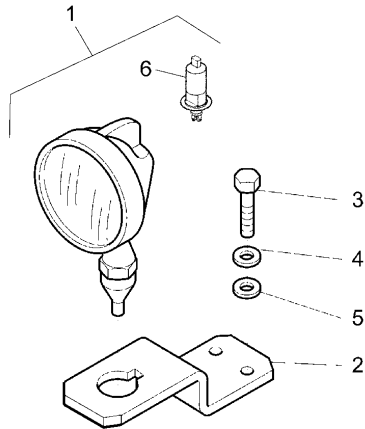
**D-00  
02**

LIGHTING EQUIPMENT - REAR LIGHT

Rex Tier 2 fp/cab  
desp. 80 F/GE



D0002



	A	
1	3673759M91	1 LIGHT
	T-A 0:25	
2	3677652M1	1 STIRRUP
3	339761X1	2 SCREW
4	390972X1	2 WASHER
5	339374X1	2 LOCK & SEA
6	3680259M1 ! 1	1 LAMP
	12V - 55W	
!	THIS IS A COMPONENT OF AN ASSEMBLY	
A	WITH PLATFORM	
T-A	Replacement	

LIGHTING EQUIPMENT

D-00  
03

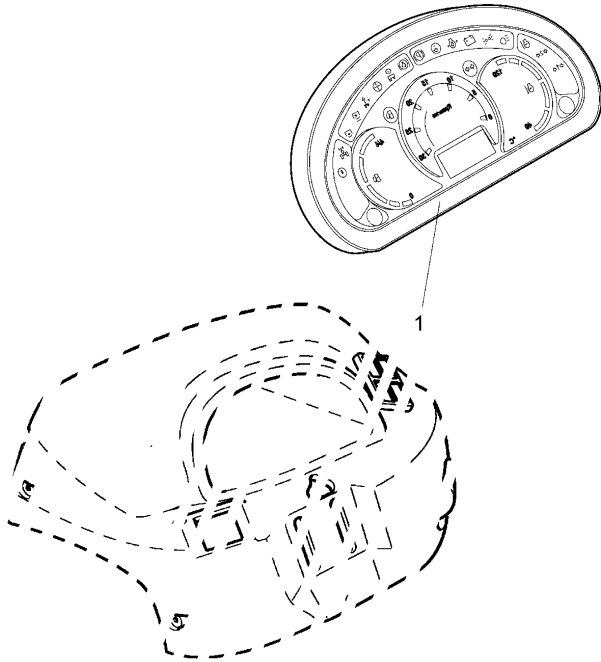
INSTRUMENT PANEL - EQUIPMENT INSTRUMENT



D0003

Rex Tier 2 fp/cab  
desp. 80 F/GE

- 1 3692490M92 ● 3692490M93 (1) 1 INSTRUMENT  
"UNIDECK"



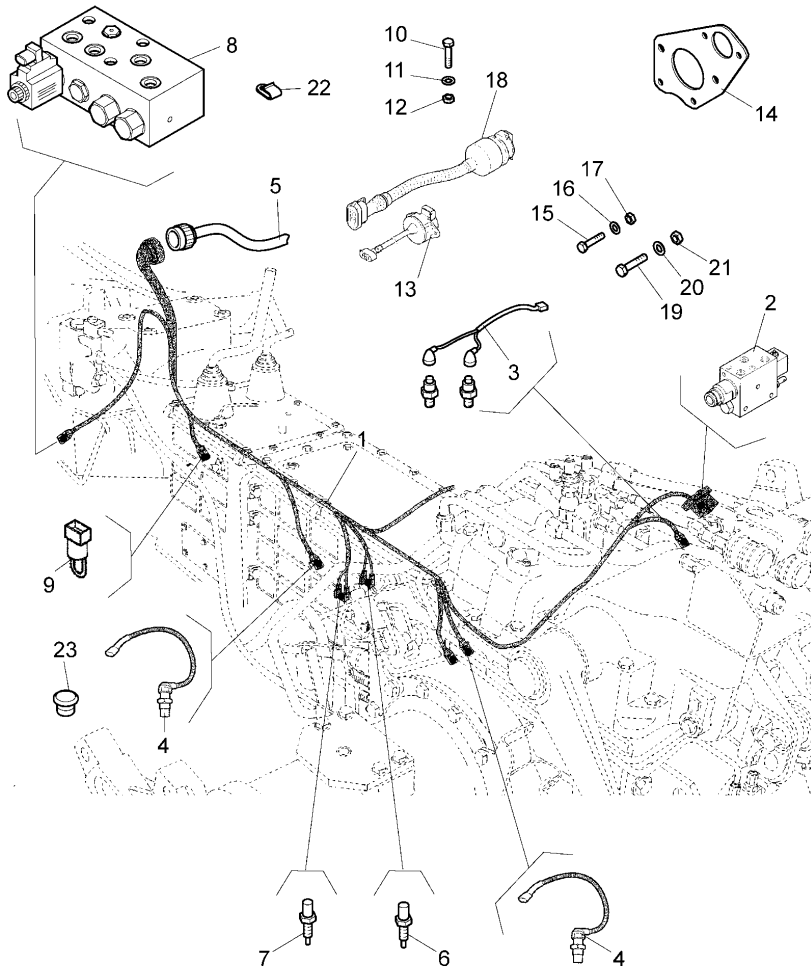
LIGHTING EQUIPMENT

D-00  
04

ELECTRICAL WIRING - REAR

Rex Tier 2 fp/cab  
desp. 80 F/GE

D0004



- |    |            |   |                                   |   |             |
|----|------------|---|-----------------------------------|---|-------------|
| 1  | 3695141M91 | ● | 3695141M92 (1)                    | 1 | HARNESS     |
| 2  |            | ◇ | G-40 15/16 01                     | 1 | DISTRIBUTOR |
| 3  |            | ◇ | G-40 15 23                        | 1 | CABLE       |
| 4  | 3667775M1  | ⊞ |                                   | 2 | SWITCH,IND  |
| 5  |            | ◇ | D-00 09 01                        | 1 | LINE        |
| 6  | 3668273M91 |   | B                                 | 1 | SWITCH,IND  |
| 7  | 3672348M91 |   | C                                 | 1 | SWITCH,IND  |
| 8  |            | ◇ | P-42 04 01                        | 1 | BLOCK       |
| 9  | 3535755M91 |   |                                   | 1 | CONNECTION  |
| 10 | 1442088X1  |   | D<br>M5X40                        | 3 | SCREW       |
| 11 | 1440312X1  |   | D                                 | 3 | WASHER      |
| 12 | 390995X1   |   | D                                 | 3 | NUT         |
| 13 | 3668201M91 | ● | 3666765M91 (1)<br>3668202M91<br>D | 1 | HARNESS     |
| 13 | 3668202M91 | ● | 3666765M91 (1)<br>3668201M91<br>D | 1 | HARNESS     |
| 14 | 3679896M2  |   | E                                 | 1 | NAMEPLATE   |
| 15 | 339560X1   |   | E<br>M6X16                        | 2 | SCREW       |
| 16 | 339375X1   |   | E                                 | 2 | LOCK WASHE  |
| 17 | 339030X1   | ● | 1441500X1 (2)<br>E                | 2 | NUT         |
| 18 | 3666759M91 |   | E                                 | 1 | PLUG SOCKE  |
| 19 | 339123X1   |   | E<br>M8X20                        | 2 | SCREW       |
| 20 | 339374X1   |   | E                                 | 2 | LOCK & SEA  |
| 21 | 339169X1   | ● | 394367X1 (2)<br>E                 | 2 | NUT         |
| 22 | 3307613M1  |   |                                   | 1 | CLAMP       |
| 22 | 3307614M1  |   |                                   | 2 | CLAMP       |

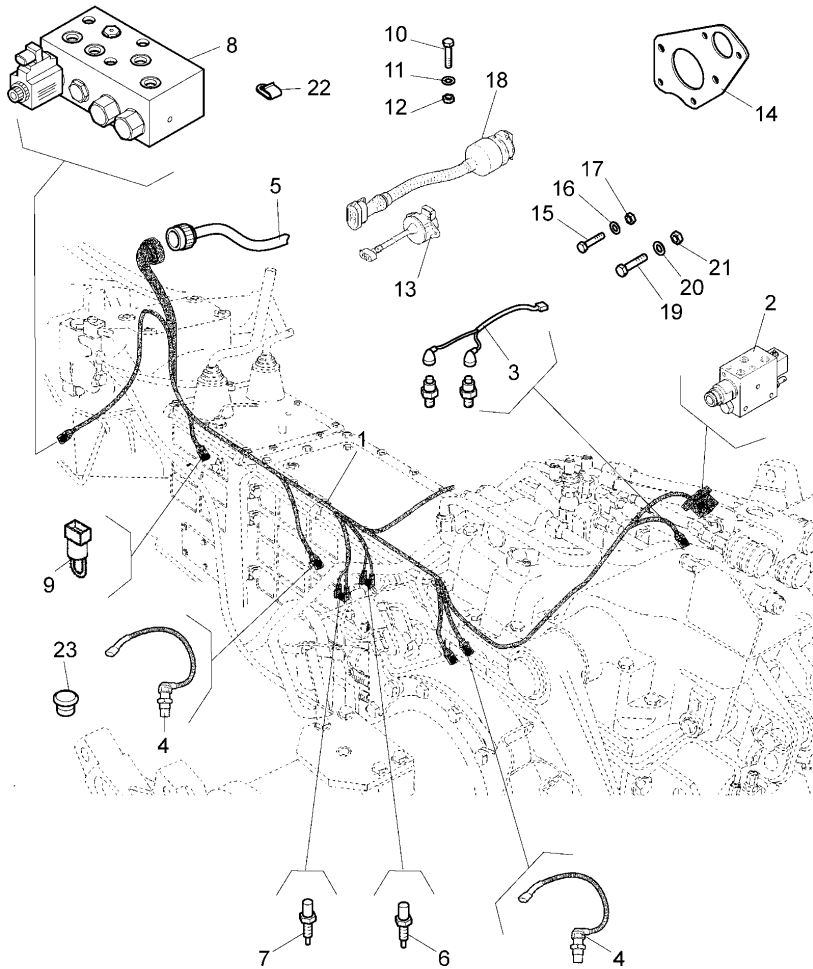
LIGHTING EQUIPMENT

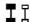



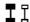
D-00  
04

ELECTRICAL WIRING - REAR

Rex Tier 2 fp/cab  
desp. 80 F/GE

D0004



- 23 3662863M1  1 PLUG
-  SEE PAGE - REFERENCE NUMBER
-  ALTERNATIVE
- B WITH INDEPENDANT P.T.O.
-  4 WHEEL DRIVE
- C WITH SYNCHRON POWER TAKE OFF
-  2 WHEEL DRIVE
- D EXCLUDED "N.A.O." MARKET
- E FOR MARKET "N.A.O."

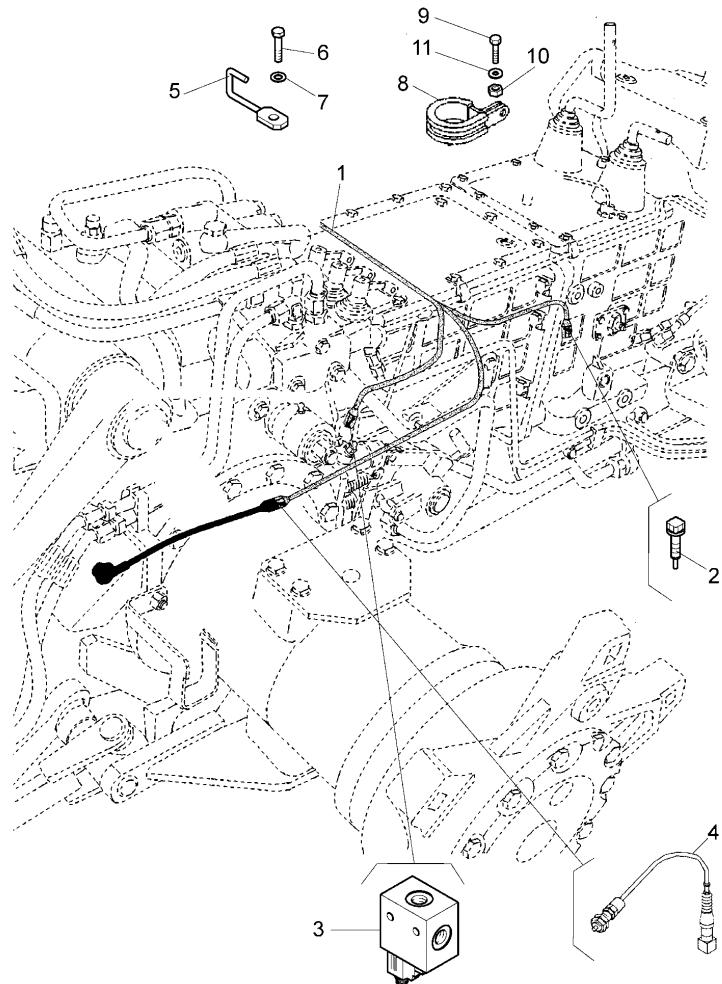
LIGHTING EQUIPMENT

D-00  
05

ELECTRICAL WIRING - REAR

Rex Tier 2 fp/cab  
desp. 80 F/GE

D0005



1	◇ D-00 04 01	1	LINE
2	◇ G-40 08 22	1	SWITCH
3	◇ P-42 05 01	1	VALVE
4	◇ E-04 27 12	1	SWITCH
5	3678557M91	1	STIRRUP
6	339081X1 M10X20	1	SCREW
7	390734X1	1	WASHER
8	3657766M91	3	CLAMP
9	3009431X1 M6X20	3	SCREW
10	1442021X1	3	NUT
11	390971X1	3	WASHER
	◇ SEE PAGE - REFERENCE NUMBER		

LIGHTING EQUIPMENT

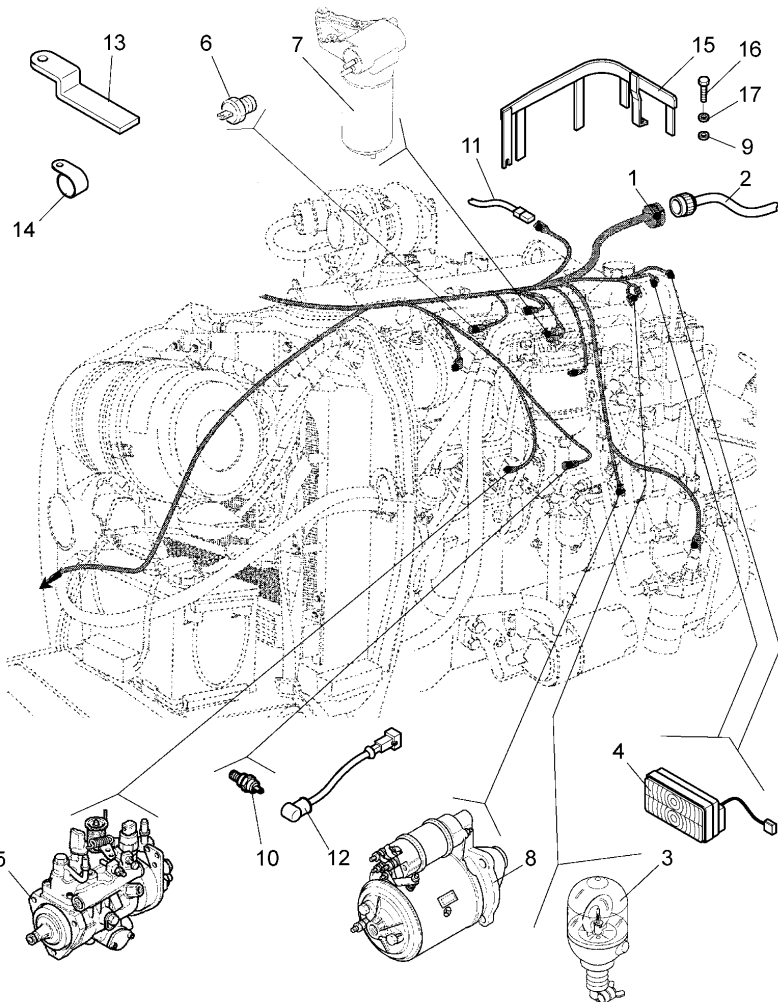
D-00  
06

ELECTRICAL WIRING - FRONT



D0006

Rex Tier 2 fp/cab  
desp. 80 F/GE



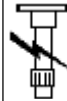
- |    |            |       |                |   |            |
|----|------------|-------|----------------|---|------------|
| 1  | 3694440M92 | ●     | 4207857M91 (1) | 1 | LINE       |
|    |            |       | 4217029M91 (1) |   |            |
| 2  |            | ⊖     | D-00 09 01     | 1 | LINE       |
| 3  |            | ⊖     | D-00 10/11 01  | 1 | HEADLAMP   |
| 4  |            | ⊖     | D-00 13 08     | 1 | LIGHT      |
| 5  |            | ⊖     | A-05 08 01     | 1 | PUMP       |
| 6  |            | ⊖     | C-32 14 01     | 1 | BULB       |
| 7  |            | ⊖     | A-05 14 01     | 1 | PUMP       |
| 8  |            | ⊖     | C-32 03 01     | 1 | ENGINE     |
| 9  | 390972X1   |       |                | 2 | WASHER     |
| 10 |            | ⊖     | A-05 02 43     | 1 | SWITCH     |
| 11 |            | ⊖     | D-00 08 01     | 1 | LINE       |
| 12 | 3674598M91 |       |                | 1 | BRIDLE     |
| 13 | 3680040M1  |       |                | 1 | STIRRUP    |
| 14 | 3539014M91 |       |                | 1 | CLAMP      |
| 15 | 3674964M92 |       |                | 1 | GUARD      |
| 16 | 339124X1   | M8X16 |                | 2 | SCREW      |
| 17 | 339374X1   |       |                | 2 | LOCK & SEA |
- ⊖ SEE PAGE - REFERENCE NUMBER

LIGHTING EQUIPMENT

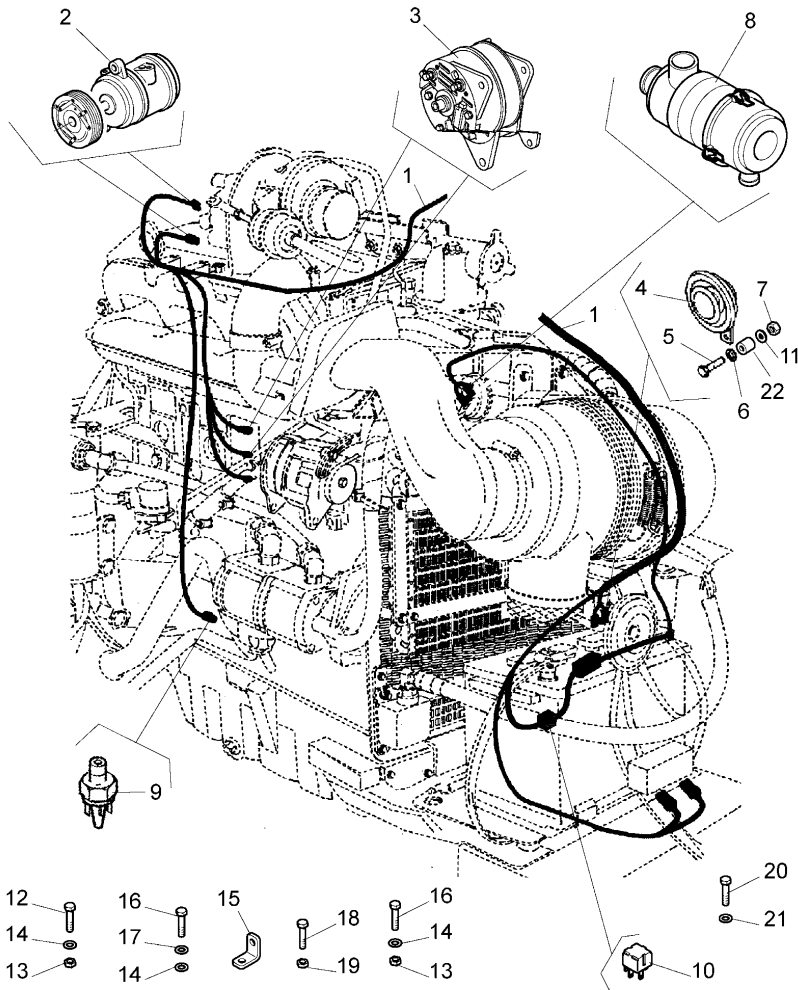
D-00  
07

ELECTRICAL WIRING - FRONT

Rex Tier 2 fp/cab  
desp. 80 F/GE



D0007



1	⊕	D-00 06 01	1	LINE
2	⊕	U-47 06 01	1	COMPRESSOR
3	⊕	C-32 01 01	1	ALTERNATOR
4	3539770M91	Y Y 3653709M91	1	HORN
		Y Y 3666296M91		"HELLA"
4	3653709M91	● 3539770M91 (1)	1	HORN
		Y Y 3539770M91		"BOSCH"
		Y Y 3666296M91		"BOSCH"
4	3666296M91	● 3539770M91 (1)	1	HORN
		Y Y 3539770M91		"COBO"
		Y Y 3653709M91		"COBO"
5	339262X1	M6X20	1	SCREW
6	390971X1		2	WASHER
7	339030X1	● 1441500X1 (1)	1	NUT
8		⊕ C-32 05 01	1	FILTER
9		⊕ P-42 01 06	1	PRESSUR SW
10	3680010M1	! 1	1	RELAY
		12V - 50A		
11	339375X1		1	LOCK WASHE
12	339560X1		1	SCREW
13	339030X1	● 1441500X1 (3)	3	NUT
14	390971X1		7	WASHER
15	3671889M3		1	STIRRUP
16	339666X1	M6X20	3	SCREW
17	339375X1		1	LOCK WASHE
18	3015137X1	M5X16	1	SCREW
19	390995X1		1	NUT
20	1442172X1	M4X16	1	SCREW
21	390468X1		1	LOCK WASHE



LIGHTING EQUIPMENT

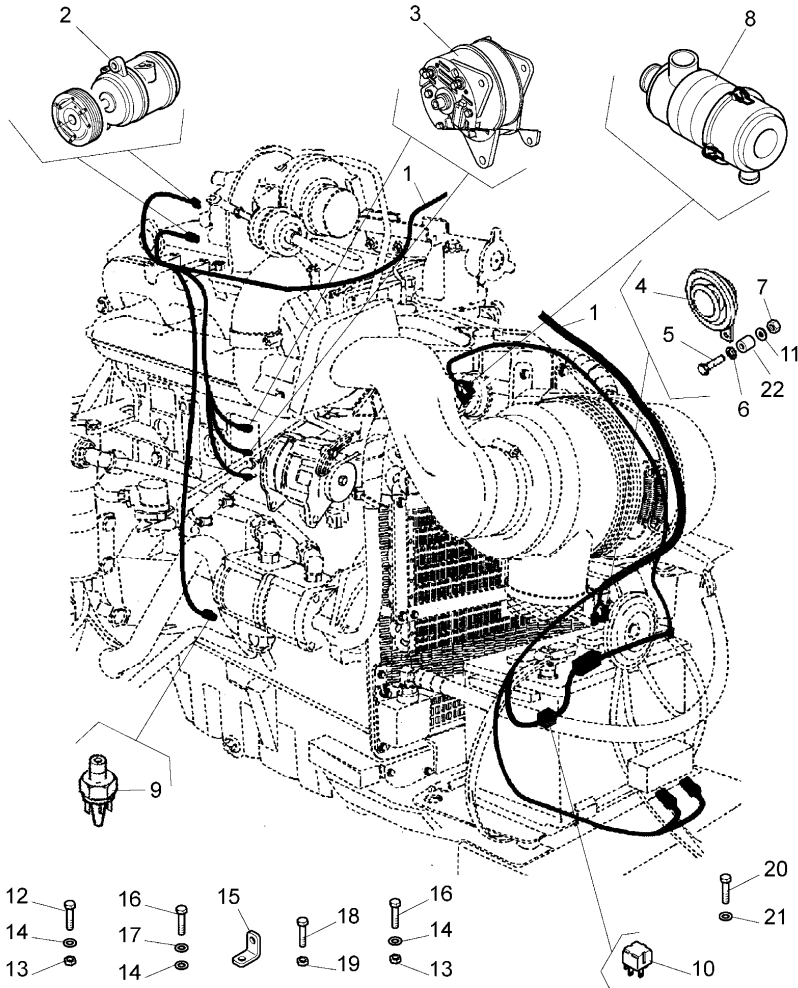
D-00  
07

ELECTRICAL WIRING - FRONT

Rex Tier 2 fp/cab  
desp. 80 F/GE



D0007



22 3532923M1

1 SPACER

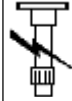
! THIS IS A COMPONENT OF AN ASSEMBLY

SEE PAGE - REFERENCE NUMBER

ALTERNATIVE

LIGHTING EQUIPMENT



D-00  
08

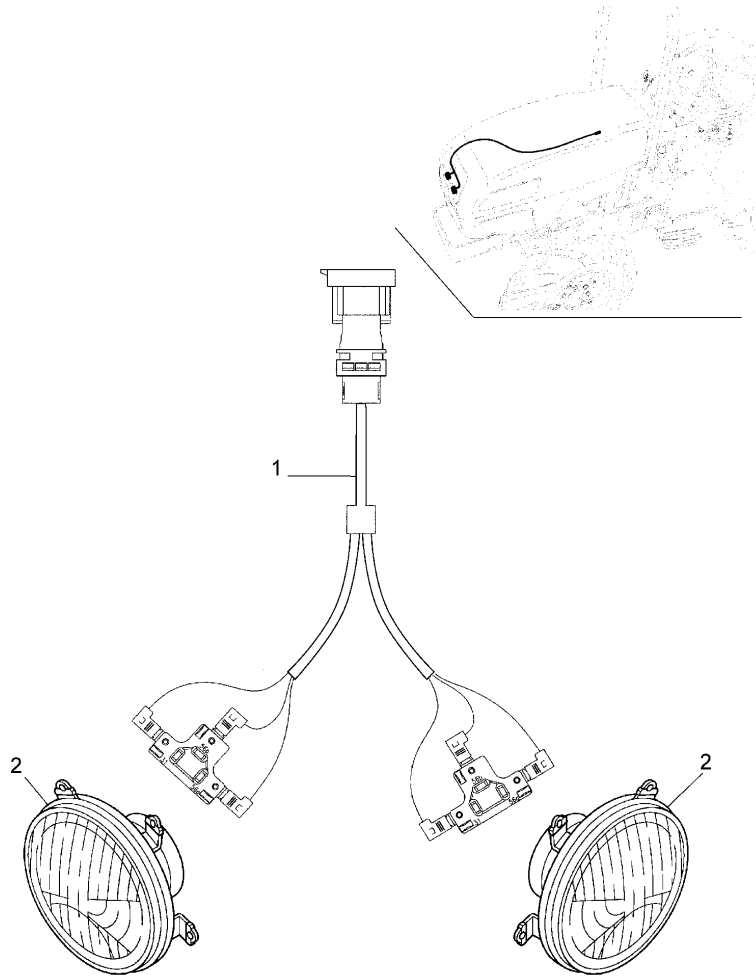


D0008

Rex Tier 2 fp/cab  
desp. 80 F/GE

ELECTRICAL EQUIPMENT - LINE FRONT LIGHTS

- 1 3671376M91
  - 2  D-00 13 01
  -  SEE PAGE - REFERENCE NUMBER
- 1 LINE
  - 2 LIGHT



LIGHTING EQUIPMENT

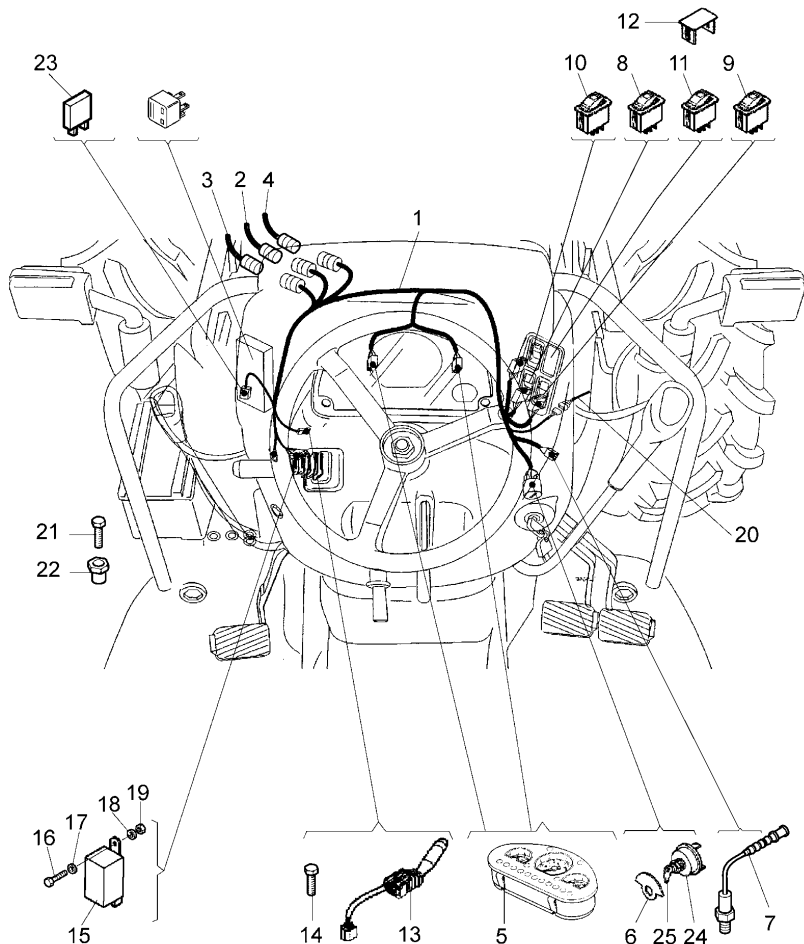
D-00  
09

ELECTRICAL EQUIPMENT - LINE INSTRUMENT PANEL



D0009

Rex Tier 2 fp/cab  
desp. 80 F/GE



- |    |            |   |                          |   |            |
|----|------------|---|--------------------------|---|------------|
| 1  | 3694475M91 | ➔ | 01/11/05                 | 1 | HARNESS    |
| 2  |            | ◊ | D-00 06 01               | 1 | HARNESS    |
| 3  |            | ◊ | D-00 16 01               | 1 | HARNESS    |
| 4  |            | ◊ | D-00 04 01               | 1 | HARNESS    |
| 5  |            | ◊ | D-00 03 01               | 1 | PANEL      |
| 6  | 3650694M2  |   | A                        | 1 | NOTE PLATE |
| 7  |            | ◊ | G-40 07 32               | 1 | SWITCH     |
| 8  | 3662736M91 | ● | 3662736M92 (1)<br>A<br>B | 1 | SWITCH,IND |
| 9  | 3662735M91 | ● | 3662735M93 (1)<br>A<br>C | 1 | SWITCH,IND |
| 10 | 3662738M91 |   | D                        | 1 | SWITCH,IND |
| 11 | 3662737M91 | ● | 3662737M94 (1)<br>F      | 1 | SWITCH     |
| 12 | 3662863M1  |   | E                        | 3 | PLUG       |
| 12 | 3662863M1  |   | A                        | 1 | PLUG       |
| 13 | 3676174M92 | ◄ | "COBO"                   | 1 | CHANGE DEV |
| 14 | 365919X1   |   |                          | 4 | SCREW      |
| 15 | 3676177M91 | ➔ | X09109<br>H<br>L         | 1 | SWITCH,IND |
| 15 | 3715413M1  |   |                          | 1 | SWITCH,IND |
| 16 | 339666X1   |   |                          | 1 | SCREW      |
| 17 | 390971X1   |   |                          | 1 | WASHER     |
| 18 | 1441206X1  |   |                          | 1 | LOCK WASHE |
| 19 | 339030X1   | ● | 1441500X1 (1)            | 1 | NUT        |
| 20 |            | ◊ | D-00 14 01               | 1 | HARNESS    |
| 21 | 3015153X1  |   |                          | 4 | SCREW      |
| 22 | 3684594M1  |   |                          | 4 | RIVET      |
| 23 | 3533928M91 | ! | 1<br>7.5A                | 5 | FUSE       |

**LIGHTING EQUIPMENT**

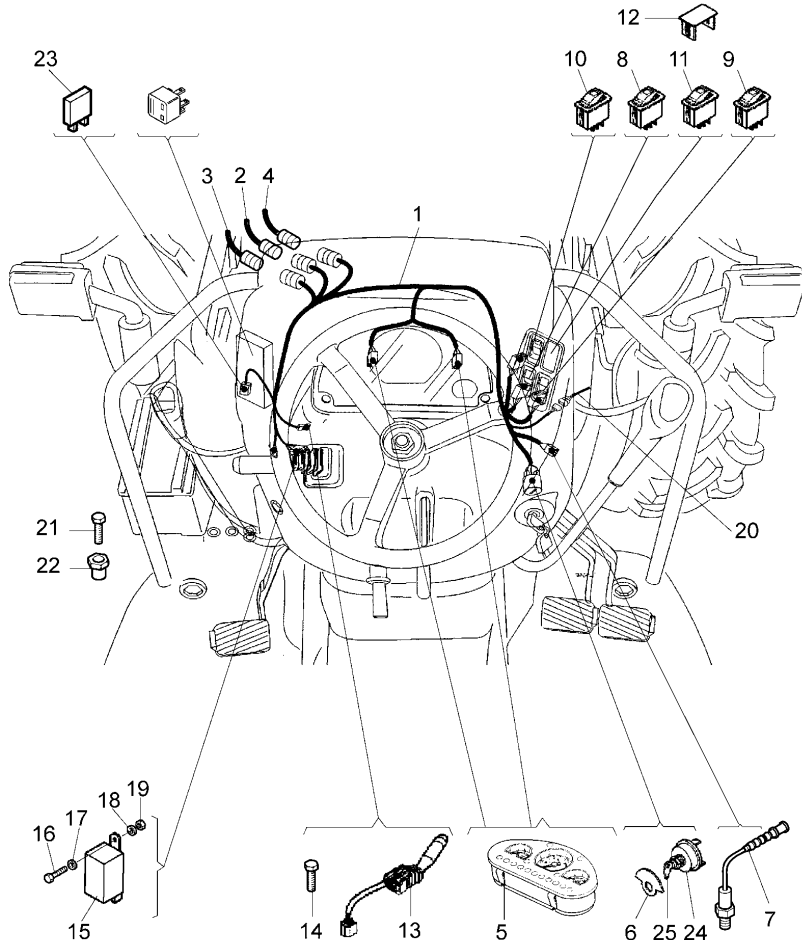
**D-00  
09**

**ELECTRICAL EQUIPMENT - LINE INSTRUMENT PANEL**

Rex Tier 2 fp/cab  
desp. 80 F/GE



D0009



23	3534037M91	!	1	3	FUSE
			10A		
23	3534038M91	!	1	3	FUSE
			20A		
23	3536581M91	!	1	1	FUSE
			15A		
23	3539311M91	!	1	8	FUSE
			5A		
24	3678781M91	!	1	1	SWITCH
25	3678782M1	!	1	1	KEY
26	3682991M1	!	1	9	RELAY
			M		
			12V		

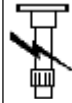
- ! THIS IS A COMPONENT OF AN ASSEMBLY
- ➔ FROM SERIAL OR ENGINE NUMBER
- 👁 SEE PAGE - REFERENCE NUMBER
- A FOR PLATFORM
- B FOR ROTARY LAMP
- C FOR JOB BEACONS
- D EMERGENCY SWITCH
- E FOR CAB
- F SWITCH LIGHT
- ◀ LEFT HAND
- H EXCLUDED "N.A.O." MARKET
- L FOR MARKET "N.A.O."
- M BLACK

LIGHTING EQUIPMENT

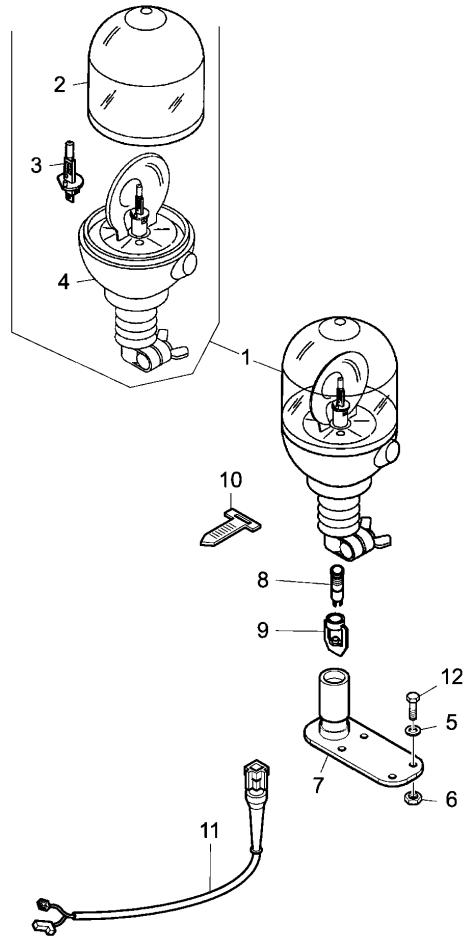
D-00  
10

ROTATING LIGHT - PLATFORM

Rex Tier 2 fp/cab  
desp. 80 F/GE



D0010



1	3663822M91	A	1	LAMPADA
		T-A 0:25		
2	3666666M1	!	1	GLASS
3	3405180M1	!	1	BULB
		(X) 0.1.3.5		
		T-A 0:25		
4		!	1	BASE
		➡ REF. N.1		
5	390971X1		8	WASHER
6	1441500X1		4	NUT
7	3548880M91		1	SUPPORT
		T-A 0:50		
8	3535827M92		1	PLUG SOCKE
		T-A 0:50		
9	3535828M1		1	PLUG
10	3301575M1		4	CLAMP
11	3674645M91		1	CABLE
		T-A 0:50		
12	339351X1		4	SCREW
		M6X25		
!	THIS IS A COMPONENT OF AN ASSEMBLY			
➡	NOT SERVICED, ORDER			
A	ORANGE			
T-A	Replacement			
(X)	QTY PER TRACTORS SOLD (AA.BBB.CCC.DDD) (AA) FOR 1,(BBB) 2-10 (CCC) 11-25 (DDD) 26-50			

LIGHTING EQUIPMENT

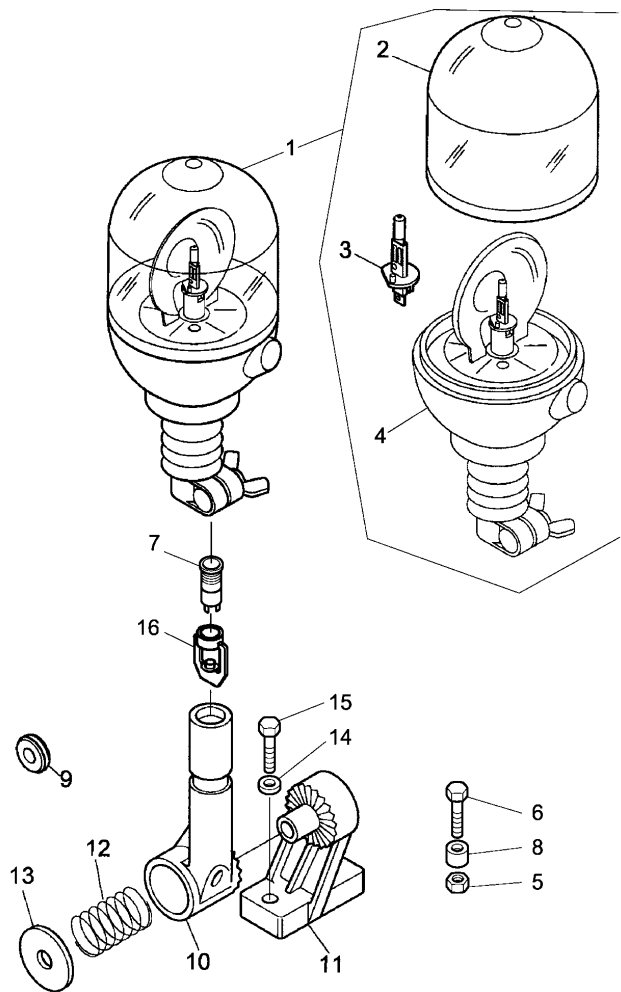
D-00  
11

ROTATING LIGHT - FOR CAB



D0011

Rex Tier 2 fp/cab  
desp. 80 F/GE



1	3663822M91	A	1	LAMPADA
		T-A 0:25		
2	3666666M1	!	1	GLASS
3	3405180M1	!	1	BULB
		12V-55W		
4		!	1	BODY
		➡ REF. N. 1		
5	390881X1		1	NUT
6	339204X1	M10X65	1	SCREW
7	3535827M92		1	PLUG SOCKE
8	1425415M2		1	SPACER
9	3556506M1		1	CHOCK
10	3648821M1		1	PIPE
11	3648822M1		1	SUPPORT
		T-A 0:25		
12	3713259M1		1	SPRING
13	390597X1		2	WASHER
14	390972X1		2	WASHER
15	339337X1	M8X30	2	SCREW
16	3535828M1		1	PLUG
!	THIS IS A COMPONENT OF AN ASSEMBLY			
➡	NOT SERVICED, ORDER			
A	ORANGE			
T-A	Replacement			

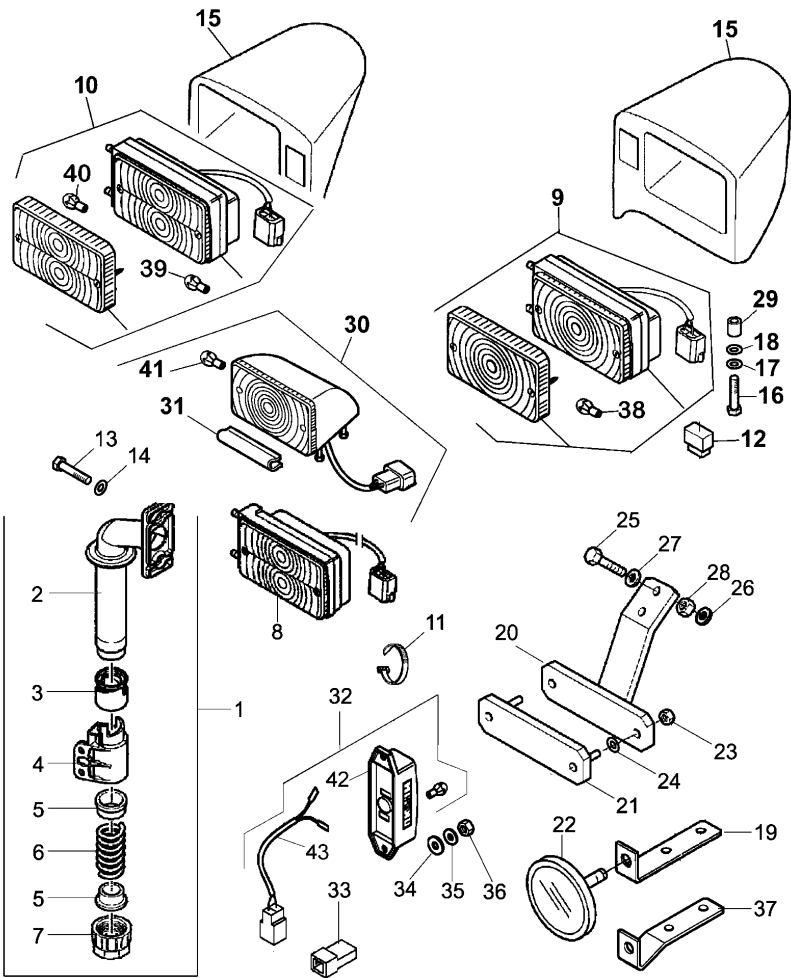
LIGHTING EQUIPMENT

D-00  
12

LIGHTING EQUIPMENT - LIGHTS

Rex Tier 2 fp/cab  
desp. 80 F/GE

D0012

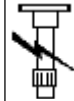


- |   |            |   |                |   |         |
|---|------------|---|----------------|---|---------|
| 1 | 4204936M91 | ● | 4204936M92 (1) | 1 | SUPPORT |
|   |            | ▶ | D              |   |         |
|   |            |   | T-A 0:50       |   |         |
| 1 | 4204937M91 | ● | 4204937M92 (1) | 1 | SUPPORT |
|   |            | ▲ | D              |   |         |
|   |            |   | T-A 0:50       |   |         |
| 2 | 4204939M1  | ! | 1              | 1 | SUPPORT |
|   |            |   | T-A 0:50       |   |         |
| 3 | 4204942M1  | ! | 1              | 1 | CAM     |
|   |            | ▲ | T-A 0:50       |   |         |
| 3 | 4204943M1  | ! | 1              | 1 | CAM     |
|   |            | ▶ | T-A 0:50       |   |         |
| 4 | 4204940M1  | ! | 1              | 1 | PIN     |
|   |            | ▲ | T-A 0:50       |   |         |
| 4 | 4204941M1  | ! | 1              | 1 | PIN     |
|   |            | ▶ | T-A 0:50       |   |         |
| 5 | 4204944M1  | ! | 1              | 2 | GUIDE   |
|   |            |   | T-A 0:50       |   |         |
| 6 | 4204938M1  | ! | 1              | 1 | SPRING  |
|   |            |   | T-A 0:50       |   |         |

LIGHTING EQUIPMENT

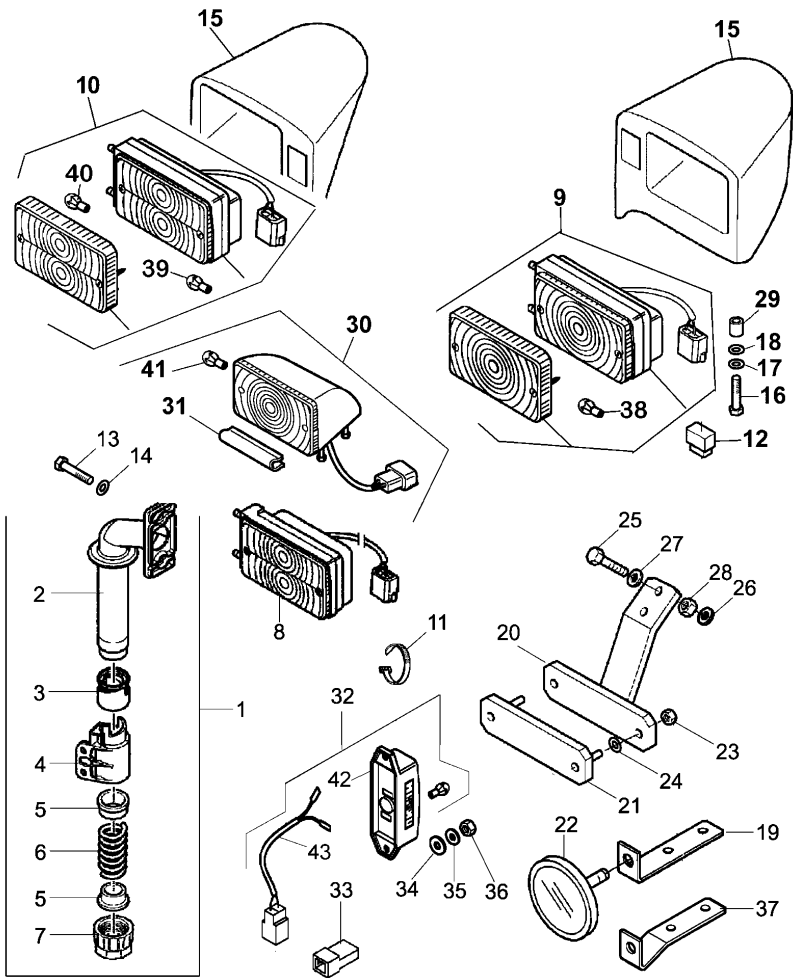
D-00  
12

LIGHTING EQUIPMENT - LIGHTS



D0012

Rex Tier 2 fp/cab  
desp. 80 F/GE



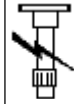
7	4204945M1	!	1	1	PLUG
				T-A 0:50	
8		☞	D-00 13 08	1	LIGHT
9	3673665M92	B		2	HEADLAMP
		E	T-A 0:50		
10	3673670M91	A		2	HEADLAMP
		E	T-A 0:50		
11	3307615M1			2	CLAMP
12	3533944M91	●	3309086M1 (2)	2	BLOCK
		B			
13	339081X1	D		4	SCREW
		M10X20			
14	1440314X1	D		4	LOCK & SEA
15	3671519M93	▶		1	BOX
		E			
15	3671521M93	◀		1	BOX
		E			
16	3015492X1		M5X10	6	SCREW
17	390469X1			6	LOCK WASHE
18	339381X1			6	WASHER
19	3549288M1			1	SUPPORT
20	3674371M91			2	SUPPORT
		T-A 0:50			
21	3671115M91			2	CAT EYE
22	1426901M92			2	CAT EYE
23	1441494X1			4	NUT
24	390469X1			4	WASHER
25	339666X1		M6X20	4	SCREW



LIGHTING EQUIPMENT

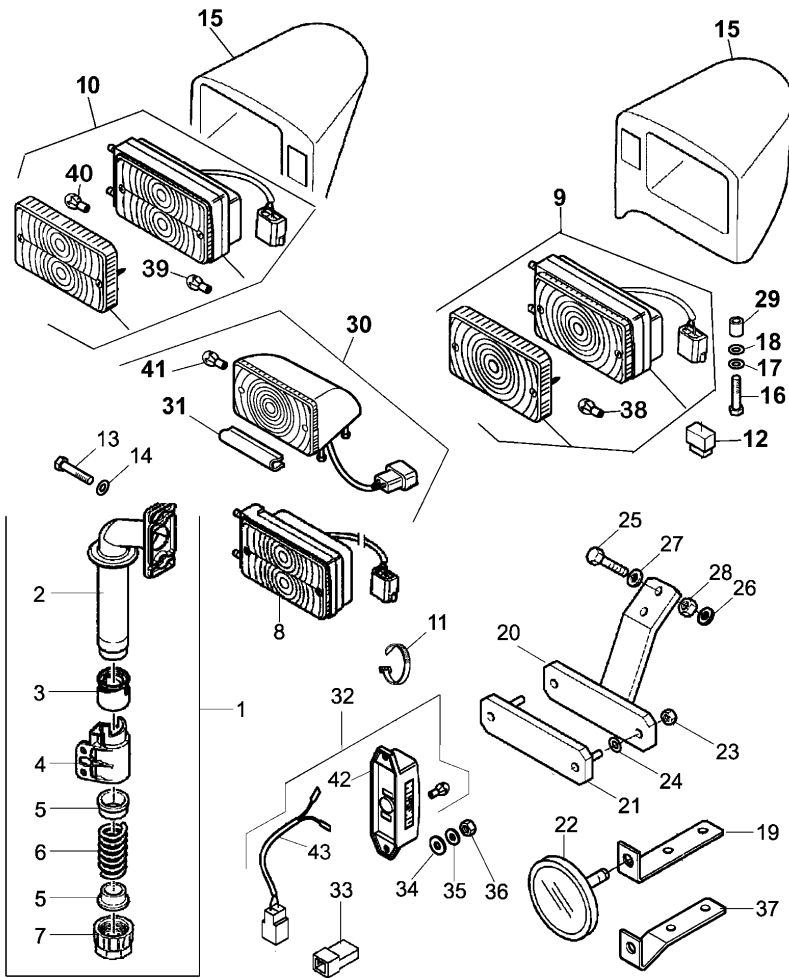
**D-00**  
**12**

LIGHTING EQUIPMENT - LIGHTS



D0012

Rex Tier 2 fp/cab  
desp. 80 F/GE



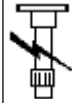
- |    |            |   |                |   |            |
|----|------------|---|----------------|---|------------|
| 26 | 339030X1   | ● | 1441500X1 (4)  | 4 | NUT        |
| 27 | 390971X1   |   |                | 8 | WASHER     |
| 28 | 339375X1   |   |                | 4 | LOCK WASHE |
| 29 | 3677653M1  |   |                | 4 | SPACER     |
| 30 | 3649303M92 | B |                | 2 | LIGHT      |
| 31 | 3665997M1  | ◀ | 0.5 m          | 1 | PROFILE    |
|    |            | B |                |   |            |
| 32 | 3533901M92 | C |                | 1 | LIGHT      |
| 33 | 3533941M91 | C |                | 1 | BLOCK      |
| 34 | 3006165X1  | C |                | 2 | LOCK WASHE |
| 35 | 3000087X1  | ● | 390469X1 (2)   | 2 | WASHER     |
|    |            | C |                |   |            |
| 36 | 390995X1   | C |                | 2 | NUT        |
| 37 | 3660926M91 |   |                | 1 | STIRRUP    |
| 38 | 395551X1   | ! | 9              | 1 | LAMP       |
|    |            |   | 12 V - 21 W    |   |            |
| 39 | 395551X1   | ! | 10             | 1 | LAMP       |
|    |            |   | 12 V - 21 W    |   |            |
| 40 | 908543M1   | ! | 10             | 1 | BULB       |
|    |            |   | 12 V - 21/5 W  |   |            |
| 41 | 908543M1   | ! | 30             | 1 | BULB       |
|    |            |   | 12 V - 21/5 W  |   |            |
| 42 | 3530904M91 | ● | 3531532M91 (1) | 1 | HEADLAMP   |
|    |            | ! | 32             |   |            |
| 43 | 3533902M92 | ! | 32             | 1 | HARNESS    |

LIGHTING EQUIPMENT

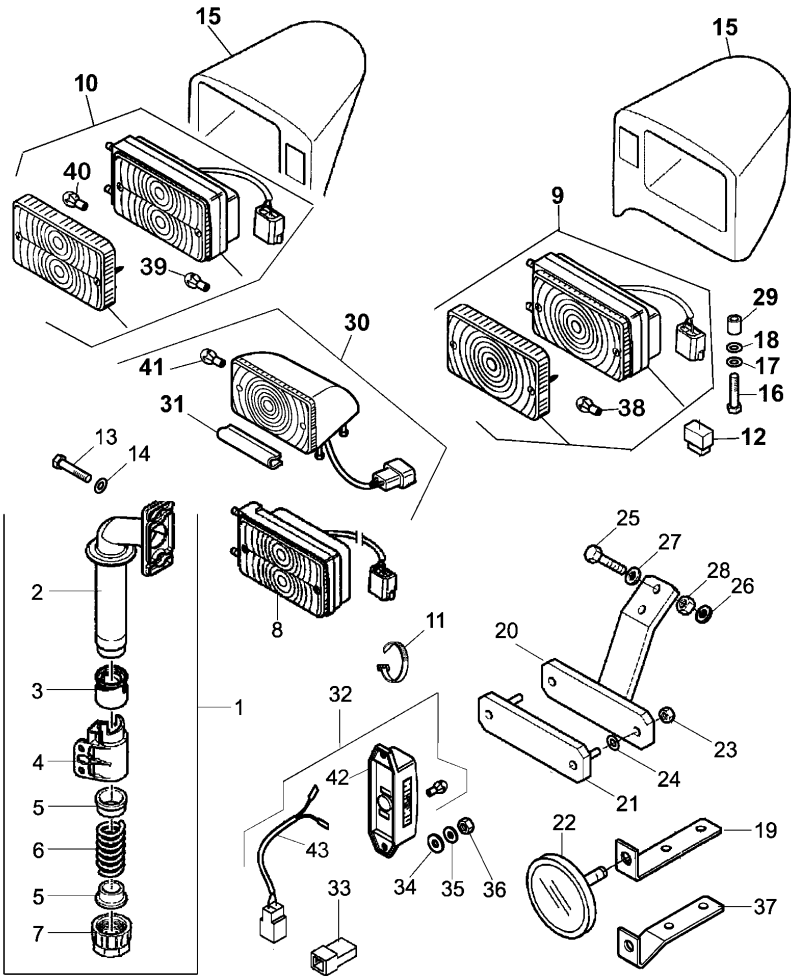
**D-00  
12**

LIGHTING EQUIPMENT - LIGHTS

Rex Tier 2 fp/cab  
desp. 80 F/GE



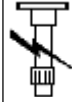
D0012



- ! THIS IS A COMPONENT OF AN ASSEMBLY
- 👁 SEE PAGE - REFERENCE NUMBER
- A EXCLUDED "N.A.O." MARKET
- B FOR MARKET "N.A.O."
- C WITHOUT TRIANGLE SUPPORT FOR ROAD CIRCULATION
- D WITH PLATFORM
- E REAR
- ◀ LEFT HAND
- ▶ RIGHT HAND
- ◄ LENGTH
- T-A Replacement

LIGHTING EQUIPMENT

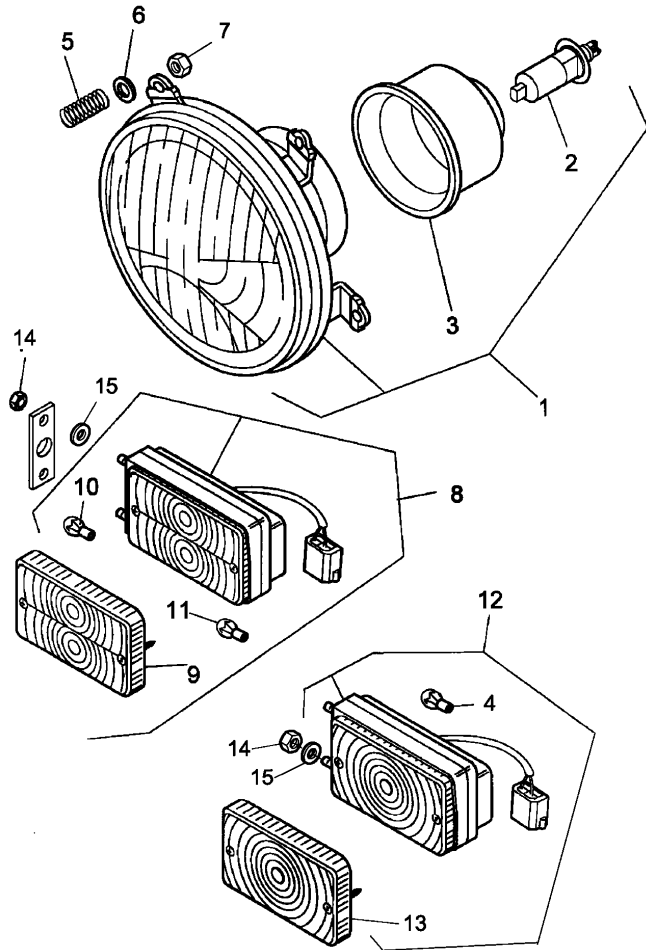
D-00  
13



D0013

Rex Tier 2 fp/cab  
desp. 80 F/GE

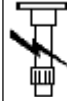
LIGHTING EQUIPMENT - LIGHTS



1	3654104M92	A		2	LIGHT
		T-A 0:50			
1	3654105M92	B		2	LIGHT
		T-A 0:50			
2	3540548M1	!	1	1	LAMP
		12V			
		(X) 0.1.3.5			
		T-A 0:25			
3	3540547M1	●	3532568M1 (1)	1	GUARD
		!	1		
		T-A 0:25			
4	395551X1	!	12	1	LAMP
			12 V - 21 W		
5	3681070M1			8	SPRING
6	3019560X1			8	WASHER
7	1441494X1			8	NUT
8	4202738M93	◀		1	LIGHT
			C		
			F		
			G		
			T-A 0:50		
8	4202739M93	▶		1	LIGHT
			C		
			F		
			G		
			T-A 0:50		
9	1424346M1	!	8	1	GLASS
			T-A 0:25		

LIGHTING EQUIPMENT

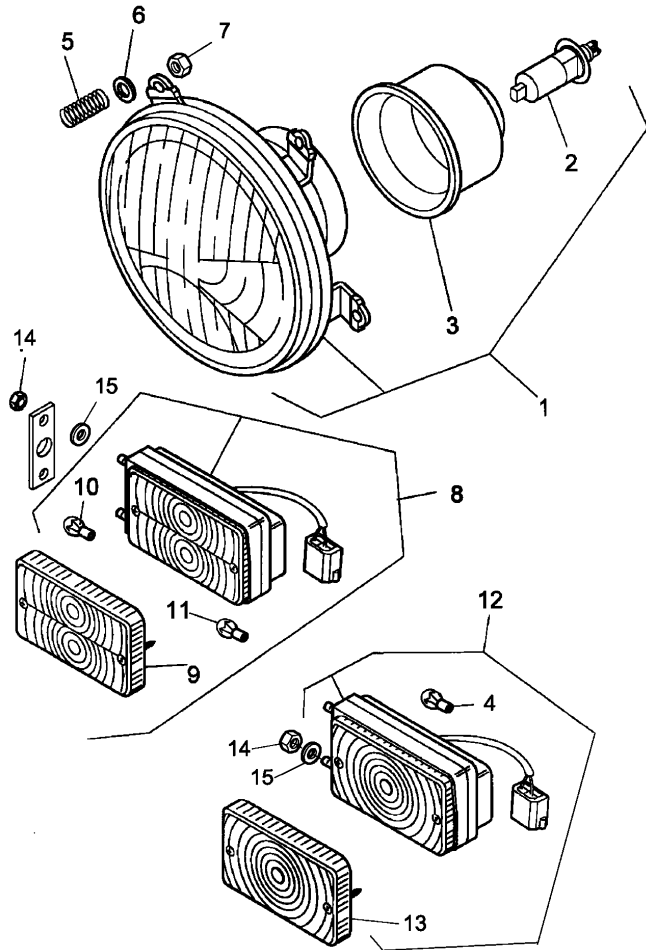
D-00  
13



D0013

Rex Tier 2 fp/cab  
desp. 80 F/GE

LIGHTING EQUIPMENT - LIGHTS



10	1420037M1	!	8	12V - 5W T-A 0:25	1	LAMP
11	395551X1	!	8	12 V - 21 W T-A 0:25	1	LAMP
12	4204888M91	◀		E F G T-A 0:50	1	LIGHT
12	4204889M91	▶		E F G T-A 0:50	1	LIGHT
13		!	12	REF. N.12	1	GLASS
14	1440084X1		G		4	NUT
15	390469X1		G		4	LOCK WASHE

! THIS IS A COMPONENT OF AN ASSEMBLY

▶ NOT SERVICED, ORDER

A FOR R.H DRIVING

B FOR LH DRIVING

C EXCLUDED "N.A.O." MARKET

E FOR MARKET "N.A.O."

F FRONT

◀ LEFT HAND

G FOR PLATFORM

▶ RIGHT HAND

T-A Replacement

(X) QTY PER TRACTORS SOLD (AA.BBB.CCC.DDD) (AA) FOR  
1,(BBB) 2-10 (CCC) 11-25 (DDD) 26-50

LIGHTING EQUIPMENT

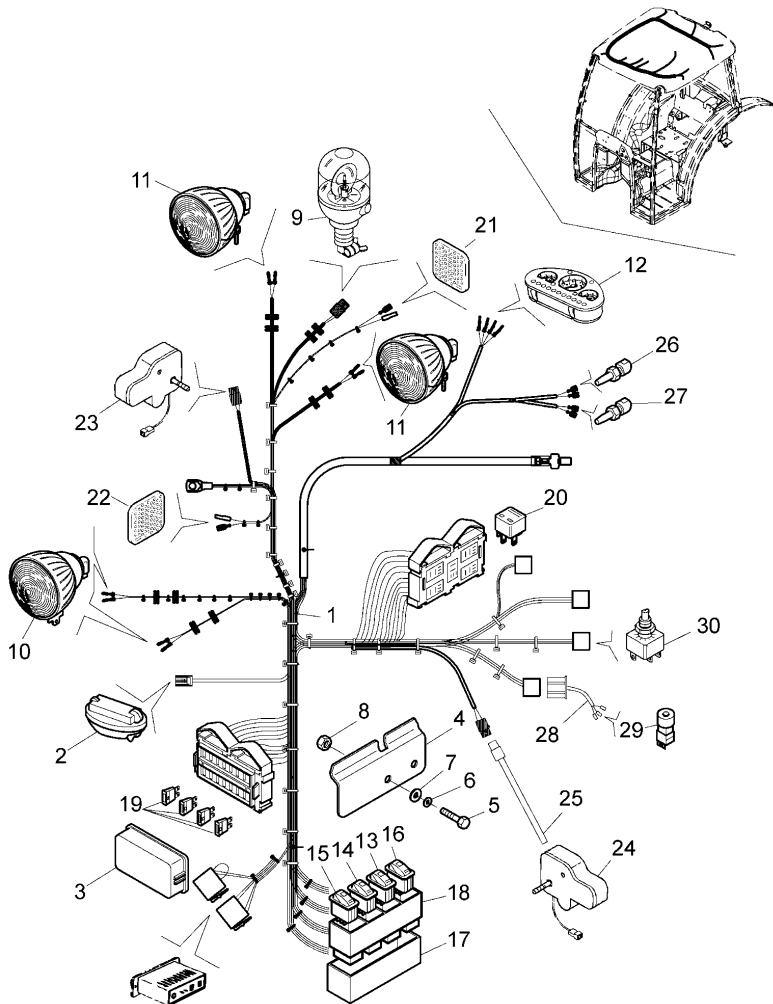
D-00  
14



D0014

Rex Tier 2 fp/cab  
desp. 80 F/GE

ELECTRICAL EQUIPMENT - LINE CAB - ROOF



- |    |            |              |   |            |
|----|------------|--------------|---|------------|
| 1  | 3686568M92 |              | 1 | HARNES     |
|    |            | T-A 3:0      |   |            |
| 2  |            | U-47 07 24   | 1 | ROOF LIGHT |
| 3  | 3682992M1  | !            | 1 | COVER      |
| 4  | 3679766M2  |              | 1 | GUARD      |
| 5  | 339081X1   | M10X20       | 2 | SCREW      |
| 6  | 390734X1   |              | 2 | WASHER     |
| 7  | 1440314X1  |              | 2 | LOCK & SEA |
| 8  | 3009693X1  | 339402X1 (2) | 2 | NUT        |
| 9  |            | D-00 10 01   | 1 | FLASHER    |
| 10 |            | D-00 15 06   | 2 | LIGHT      |
| 11 |            | D-00 15 05   | 2 | LIGHT      |
| 12 |            | D-00 03 01   | 1 | INSTRUMENT |
| 13 | 3677419M91 | !            | 1 | SWITCH     |
|    |            | D            |   |            |
| 14 | 3686793M91 | !            | 1 | SWITCH     |
|    |            | E            |   |            |
| 15 | 3683192M91 | !            | 1 | SWITCH     |
|    |            | F            |   |            |
| 16 | 3687176M91 | !            | 1 | SWITCH     |
|    |            | G            |   |            |
| 17 | 3682993M1  | !            | 1 | SKIRT      |
|    |            | A            |   |            |
| 18 | 3682994M1  | !            | 1 | SKIRT      |
|    |            | C            |   |            |
| 19 | 3674125M1  | !            | 1 | FUSE       |
|    |            | 5A           |   |            |
| 19 | 3674127M1  | !            | 1 | FUSE       |
|    |            | 10A          |   |            |
| 19 | 3674128M1  | !            | 3 | FUSE       |
|    |            | 15A          |   |            |
| 19 | 3674129M1  | !            | 1 | FUSE       |
|    |            | 20A          |   |            |

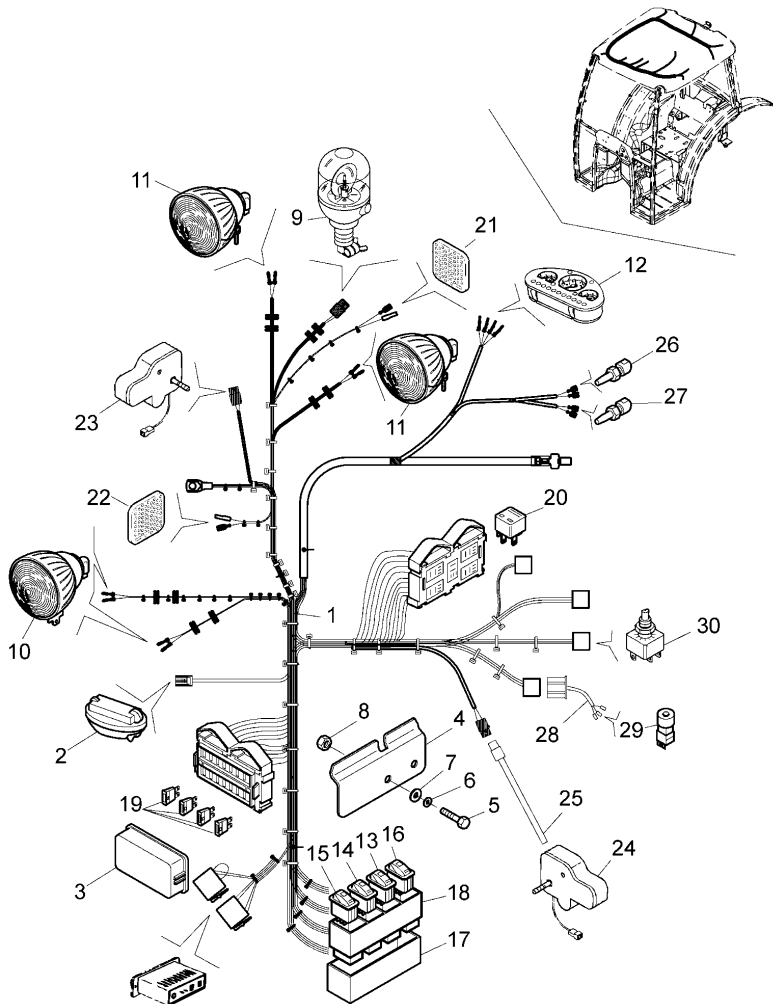
LIGHTING EQUIPMENT

D-00  
14

ELECTRICAL EQUIPMENT - LINE CAB - ROOF

Rex Tier 2 fp/cab  
desp. 80 F/GE

D0014



- |    |           |   |            |   |             |
|----|-----------|---|------------|---|-------------|
| 20 | 3682991M1 | ! | 1          | 5 | RELAY       |
|    |           |   | H          |   |             |
| 21 |           | ◊ | U-47 07 25 | 1 | CHOKE       |
| 22 |           | ◊ | U-47 07 25 | 1 | CHOKE       |
| 23 |           | ◊ | U-47 12 01 | 1 | WIPER MOTOR |
| 24 |           | ◊ | U-47 12 17 | 1 | WIPER MOTOR |
| 25 |           | ◊ | U-47 12 08 | 1 | CABLE       |
| 26 |           | ◊ | U-47 12 10 | 1 | SPLASHER    |
| 27 |           | ◊ | U-47 12 09 | 1 | SPLASHER    |
| 28 |           | ◊ | U-47 17 02 | 1 | WIRING HAR  |
| 29 |           | ◊ | U-47 17 04 | 1 | SWITCH      |
| 30 |           | ◊ | U-47 17 06 | 1 | SWITCH      |

! THIS IS A COMPONENT OF AN ASSEMBLY

◊ SEE PAGE - REFERENCE NUMBER

A EXTERNAL

C INTERNAL

D SWITCH WASHER

E TURN LIGHT SWITCH

F SWITCH WORKING LIGHT

◄ LEFT HAND

G AUXILIARY LIGHTS SWICTH

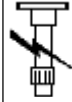
◄ RIGHT HAND

H BLACK

T-A Replacement

LIGHTING EQUIPMENT

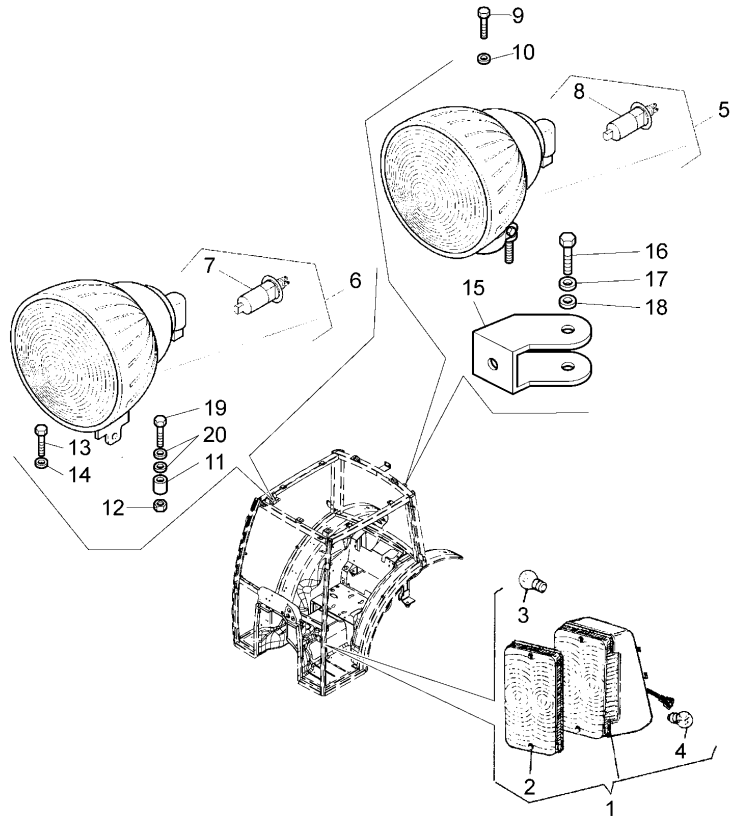
**D-00**  
**15**



D0015

Rex Tier 2 fp/cab  
desp. 80 F/GE

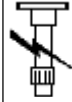
LIGHTING EQUIPMENT - WITH CAB



1	3679573M91 ▶	A	1	HEADLAMP
		T-A 0:25		
1	3679574M91 ◀	A	1	HEADLAMP
		T-A 0:25		
1	3680577M91 ◀	B	1	HEADLAMP
1	3680580M91 ▶	B	1	HEADLAMP
2	3311534M91 ●	3653945M1 (1)	1	GLASS
		!		
		B		
3	395551X1 !	1	1	LAMP
		21 Watt		
		12V - 12W		
4	3665396M1 !	1	1	LAMP
		A		
		12W - 5W		
5	3679310M91	C	2	LIGHT
		T-A 0:25		
6	3663975M91 ●	4213579M91 (2)	2	LIGHT
		D		
		T-A 0:50		
7	3671279M1 !	6	1	LAMP
		12V - 50W		
		(X) 0.1.3.5		
8	3671279M1 !	5	1	LAMP
		12V - 50W		
9	1440827X1	M5X30	2	SCREW

LIGHTING EQUIPMENT

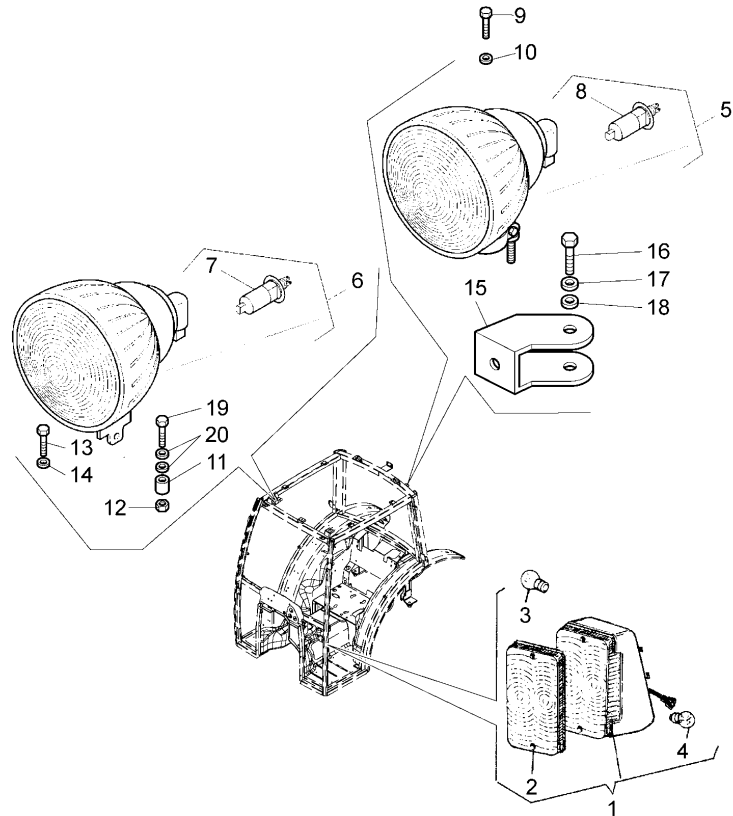
**D-00  
15**



D0015

Rex Tier 2 fp/cab  
desp. 80 F/GE

LIGHTING EQUIPMENT - WITH CAB



- |     |   |       |   |            |
|-----|---|-------|---|------------|
| 10  | 390975X1  |       | 2 | LOCK WASHE |
| 11  | 3301814M2   |       | 2 | SPACER     |
| 12  | 1442021X1   |       | 2 | NUT        |
| 13  | 391244X1  | M6X45 | 2 | BOLT       |
| 14  | 390971X1  |       | 2 | WASHER     |
| 15  | 3664288M92  | ▶     | 1 | SUPPORT    |
|     |   | C     |   |            |
| 15  | 3668057M91  | ◀     | 1 | SUPPORT    |
|     |   | C     |   |            |
| 16  | 339124X1  | M8X16 | 2 | SCREW      |
| 17  | 390972X1  |       | 2 | WASHER     |
| 18  | 339374X1  |       | 2 | LOCK & SEA |
| 19  | 391244X1  | M6X45 | 2 | BOLT       |
| 20  | 390971X1  |       | 2 | WASHER     |
| !   | THIS IS A COMPONENT OF AN ASSEMBLY  |       |   |            |
| A   | EXCLUDED "N.A.O." MARKET  |       |   |            |
| B   | FOR MARKET "N.A.O."   |       |   |            |
| C   | REAR  |       |   |            |
| D   | FRONT   |       |   |            |
| ◀   | LEFT HAND   |       |   |            |
| ▶   | RIGHT HAND  |       |   |            |
| T-A | Replacement   |       |   |            |
| (X) | QTY PER TRACTORS SOLD (AA.BBB.CCC.DDD) (AA) FOR<br>1,(BBB) 2-10 (CCC) 11-25 (DDD) 26-50 |       |   |            |



LIGHTING EQUIPMENT

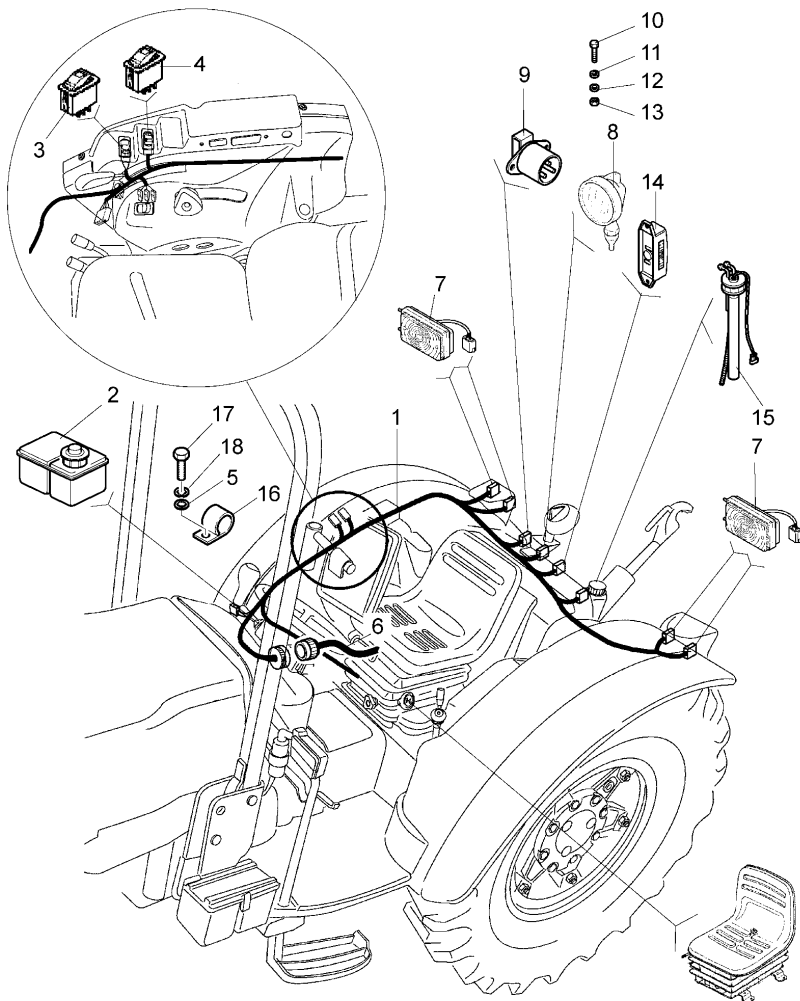
D-00  
16

ELECTRICAL WIRING - PLATFORM



D0016

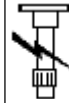
Rex Tier 2 fp/cab desp. 80 F/GE



- |    |            |       |                              |   |            |
|----|------------|-------|------------------------------|---|------------|
| 1  | 3695140M91 | ●     | 3695140M92 (1)               | 1 | HARNESS    |
| 2  |            | ◇     | G-40 06 01                   | 1 | TANK       |
| 3  | 3662790M91 | A     |                              | 1 | SWITCH,IND |
| 4  | 3662788M91 | ■-I   |                              | 1 | BUTTON     |
|    |            | C     |                              |   |            |
| 5  | 339375X1   |       |                              |   | LOCK WASHE |
| 6  |            | ◇     | D-00 09 01                   | 1 | LINE       |
| 7  |            | ◇     | D-00 12 09                   | 2 | LIGHT      |
| 8  |            | ◇     | D-00 02 01                   | 1 | LIGHT      |
| 9  | 3661272M91 |       |                              | 1 | PLUG SOCKE |
| 10 | 339721X1   |       |                              | 2 | SCREW      |
| 11 | 390469X1   |       |                              | 4 | LOCK WASHE |
| 12 | 339381X1   |       |                              | 2 | LOCK WASHE |
| 13 | 390995X1   |       |                              | 2 | NUT        |
| 14 |            | ◇     | D-00 12 32                   | 1 | LIGHT      |
| 15 |            | ◇     | C-32 09 32                   | 1 | FLOAT      |
| 16 | 3539014M91 |       |                              | 1 | CLAMP      |
| 17 | 339666X1   | M6X20 |                              | 1 | SCREW      |
| 18 | 390971X1   |       |                              | 1 | WASHER     |
|    | ◇          |       | SEE PAGE - REFERENCE NUMBER  |   |            |
|    | A          |       | SWITCH DIFFERENTIAL LOCK     |   |            |
|    | ■-I        |       | 4 WHEEL DRIVE                |   |            |
|    | C          |       | SWITCH 4 WHEEL DRIVE CONTROL |   |            |

LIGHTING EQUIPMENT

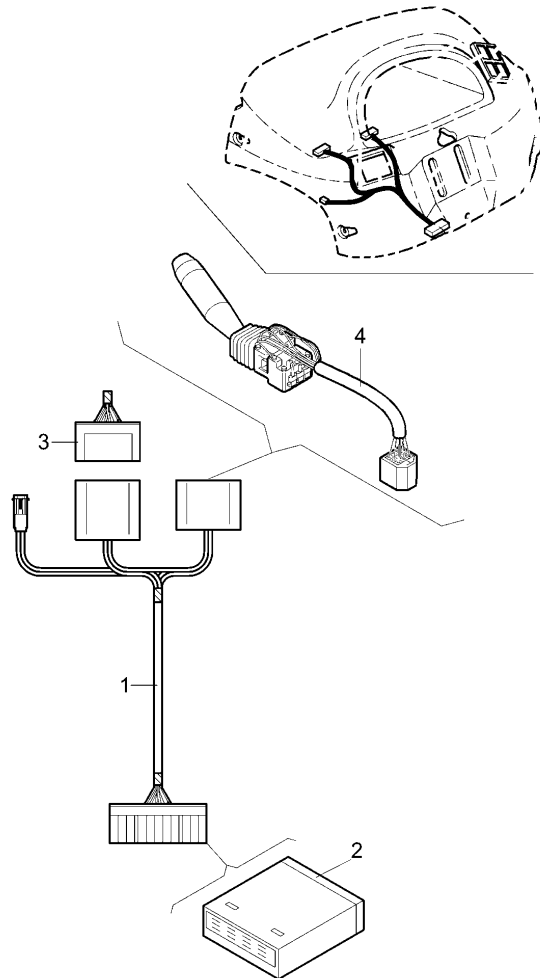
D-00  
17



D0017

Rex Tier 2 fp/cab  
desp. 80 F/GE

ELECTRICAL EQUIPMENT - LINE WIRING N.A.O.



- 1 3667322M91
  - 2 3666481M91
  - 3 D-00 09 01
  - 4 D-00 09 13
- 1 KIT
  - 1 CENTRALISE
  - 1 LINE
  - 1 CHANGE  
DEVICE
- SEE PAGE - REFERENCE NUMBER

TRANSMISSION

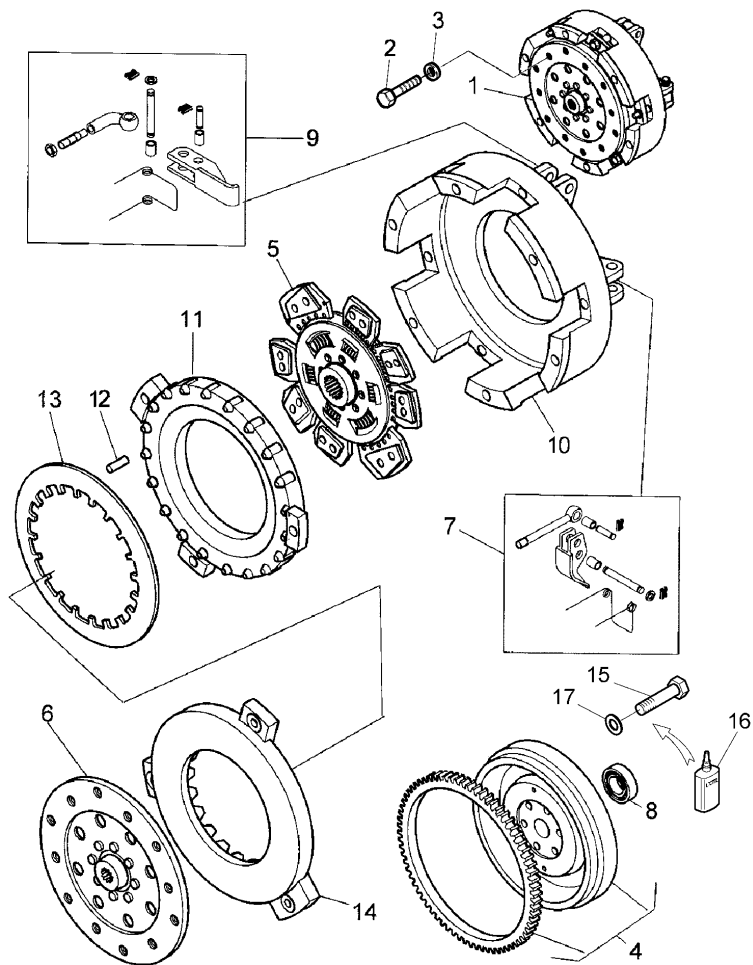
E-04  
01

CLUTCH - DUAL CLUTCH "LUK" - 11"



E0401

Rex Tier 2 fp/cab  
desp. 80 F/GE



	A		
	D		
	T-A 6:25		
1	3671892M91		1 CLUTCH
		T-A 6:50	
2	339084X1	M8X100	12 SCREW
3	339374X1		12 LOCK WASHE
4	3671072M91		1 FLYWHEEL
5	3675787M1	! 1	1 DISC
		B	
6	3675788M1	! 1	1 DISC
		C	
7	3675803M91	● 3106323M91 (1)	1 KIT
		! 1	
		C	
8	339599X1	● 3670612M1 (1)	1 CUSCINET
		T-A 6:50	
9	3675804M91	● 3106322M91 (1)	1 KIT
		! 1	
		B	
10		! 1	1 HOUSING
		▣ REF.N.1	
11		! 1	1 PLATE
		▣ REF.N.1	
12		! 1	1 DOWEL
		▣ REF.N.1	
13		! 1	1 SPRING
		▣ REF.N.1	
14		! 1	1 BASE PLATE
		▣ REF.N.1	

TRANSMISSION

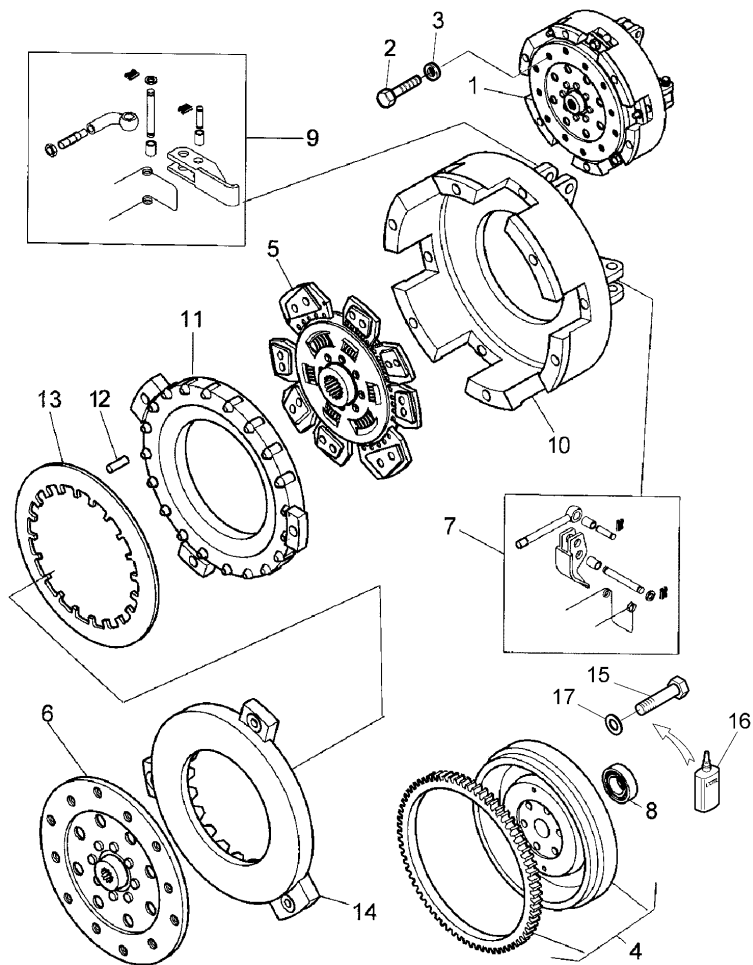
E-04  
01

CLUTCH - DUAL CLUTCH "LUK" - 11"



E0401

Rex Tier 2 fp/cab  
desp. 80 F/GE

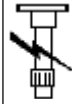


- |    |           |                   |     |         |
|----|-----------|-------------------|-----|---------|
| 15 | 3687531M1 |                   | 6   | SCREW   |
| 16 | 3663814M1 | ● 1427801M2 (999) | 999 | LOCTITE |
| 17 | 3667437M1 | ● 33117127 (6)    | 6   | WASHER  |
- ! THIS IS A COMPONENT OF AN ASSEMBLY  
 NOT SERVICED, ORDER  
 WITH MECHANIC P.T.O.  
 A FOR TRANSMISSION  
 B FOR P.T.O.  
 C WITH MECHANICAL REVERSING DEVICE  
 D Replacement

TRANSMISSION

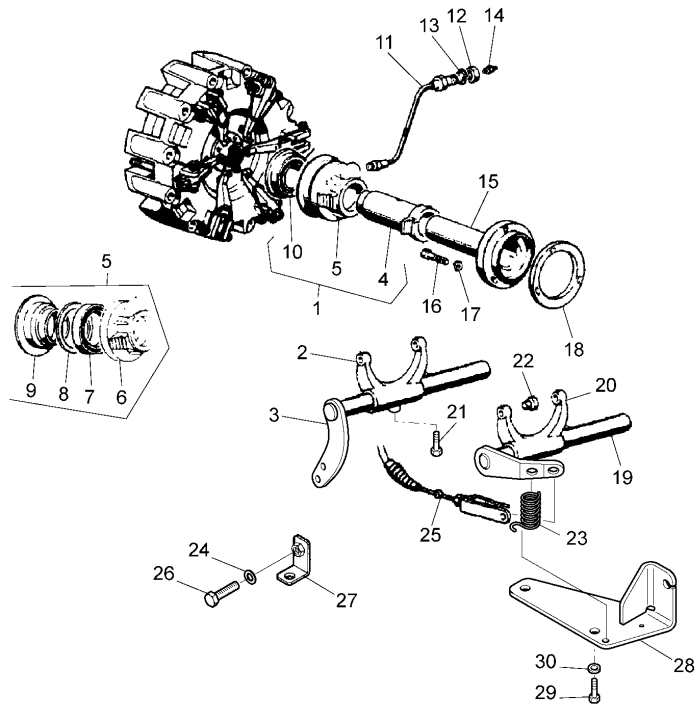
E-04  
02

CLUTCH PEDAL AND LINKAGE - CLUTCH COLLAR



E0402

Rex Tier 2 fp/cab  
desp. 80 F/GE

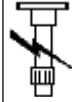


- |    |              |   |              |
|----|--------------|---|--------------|
| 1  | 1423470M96 ● | 1423473M94 (1)<br>1423471M94 (1)<br>1821699M5 (1) | 1 CLIP, HOSE |
|    |              | T-A 6:50<br>T-B 7:75                              |              |
| 2  | 3534199M3    | B   | 1 YOKE       |
|    |              | T-A 7:0   |              |
| 3  | 3692362M91   | T-A 7:0   | 1 SHAFT      |
| 4  | 1821699M5 !  | 1   | 1 COLLAR     |
|    |              | T-A 6:50  |              |
| 5  | 1423471M94 ! | 1   | 1 COLLAR     |
|    |              | T-A 6:50  |              |
| 6  | 1821721M6 !  | 5   | 1 SLEEVE     |
|    |              | T-A 6:50  |              |
| 7  | 1442381X1 !  | 5   | 1 BEARING    |
|    |              | T-A 6:75  |              |
| 8  | 1821722M1 !  | 5   | 1 DISC       |
|    |              | T-A 6:75  |              |
| 9  | 1423472M2 !  | 5   | 1 DISC       |
|    |              | T-A 6:75  |              |
| 10 | 1423473M94 ! | 1   | 1 COLLAR     |
|    |              | T-A 6:50  |              |

TRANSMISSION

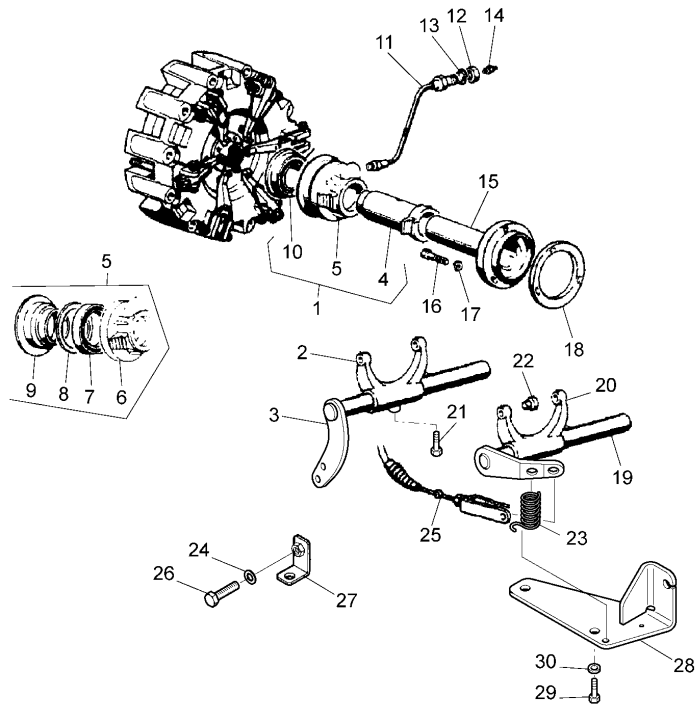
E-04  
02

CLUTCH PEDAL AND LINKAGE - CLUTCH COLLAR



E0402

Rex Tier 2 fp/cab  
desp. 80 F/GE



- |    |            |                      |   |             |
|----|------------|----------------------|---|-------------|
| 11 | 1824745M91 |                      | 1 | PIPE        |
| 12 | 392490X1   | ●                    | 1 | NUT         |
| 13 | 1440317X1  |                      | 1 | LOCK WASHER |
| 14 | 339608X1   |                      | 1 | GREASER     |
| 15 | 3305040M4  | T-A 6:50<br>C        | 1 | SUPPORT     |
| 16 | 339761X1   | T-A 7:0<br>C         | 3 | SCREW       |
| 17 | 339347X1   | M8X25<br>C           | 3 | LOCK WASHER |
| 18 | 3305041M2  | T-A 7:0<br>C         | 1 | GASKET      |
| 19 | 3670738M91 | T-A 7:0<br>A         | 1 | SHAFT       |
| 20 | 3534198M3  | T-A 7:0<br>A         | 1 | YOKE        |
| 21 | 393361X1   | T-A 7:0              | 2 | SCREW       |
| 22 | 973144M1   |                      | 4 | PIN         |
| 23 | 3547066M1  | T-A 6:50<br>T-A 0:25 | 2 | SPRING      |
| 24 | 390971X1   |                      | 1 | WASHER      |
| 25 |            | ◁ E-04 03 09         | 1 | CABLE       |
| 26 | 339560X1   | M6X16                | 1 | SCREW       |

TRANSMISSION

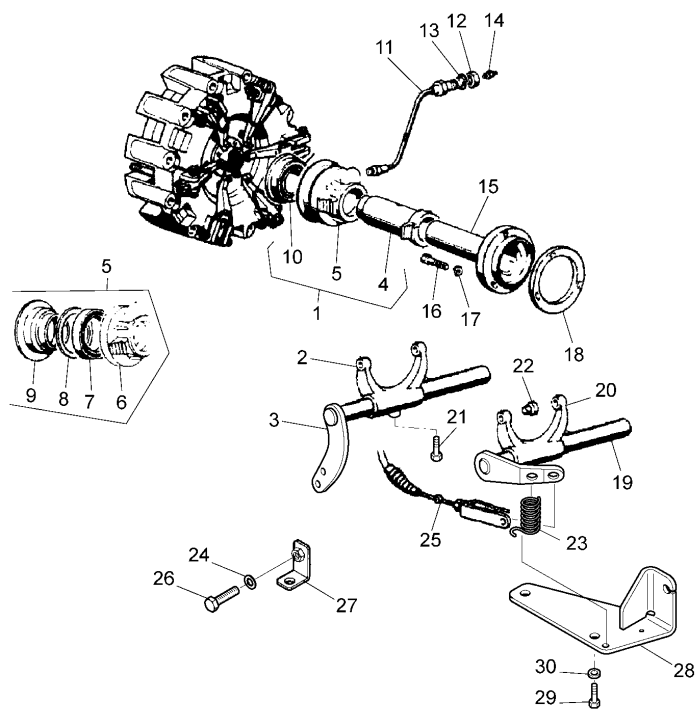
E-04  
02

CLUTCH PEDAL AND LINKAGE - CLUTCH COLLAR



E0402

Rex Tier 2 fp/cab  
desp. 80 F/GE



- |    |            |   |            |
|----|------------|---|------------|
| 27 | 3536129M91 | 1 | STIRRUP    |
| 28 | 3692371M2  | 1 | STIRRUP    |
| 29 | 393764X1   | 2 | SCREW      |
| 30 | 391414X1   | 2 | LOCK WASHE |

! THIS IS A COMPONENT OF AN ASSEMBLY  
 SEE PAGE - REFERENCE NUMBER  
 A FOR TRANSM. CLUTCH  
 B FOR P.T.O. CLUTCH  
 C WITH MECHANICAL REVERSING DEVICE  
 T-A Replacement  
 T-B Overhaul

TRANSMISSION

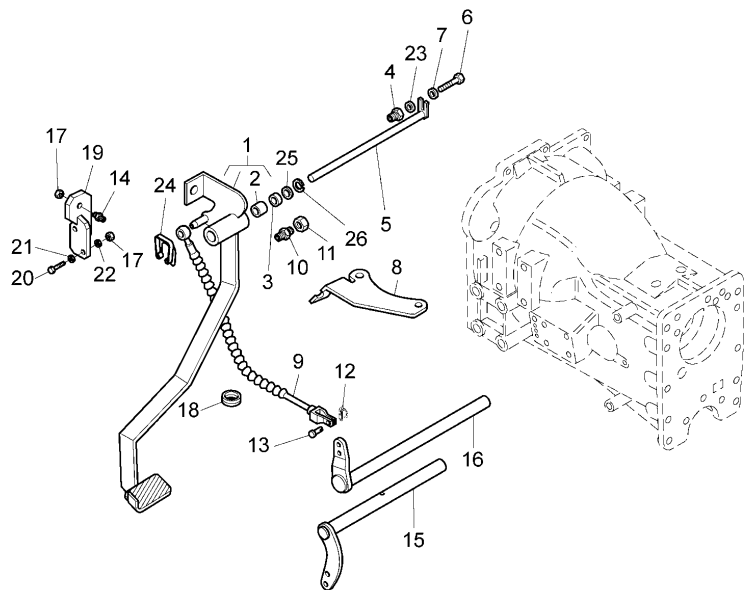
E-04  
03

CLUTCH PEDAL AND LINKAGE



E0403

Rex Tier 2 fp/cab  
desp. 80 F/GE



1	3667811M95	●	3667811M99 (1)	1	PEDAL
			T-A 1:0		
2	4203321M2	!	1	2	BUSH
			T-A 1:0		
3	3674024M1		T-A 1:0	1	SPACER
4	3665878M1			1	INSERT
5	3667053M91			1	PIN
			T-A 1:0		
6	339123X1		M8X20	1	SCREW
7	390972X1			1	WASHER
8	3671087M1			1	PLATE
9	3672806M94			1	CABLE
			T-A 0:75		
10	3542670M91			1	PAD
11	339169X1	●	394367X1 (1)	1	NUT
12	1442962X1			1	SPIROL PIN
13	3663980X1			1	PIN
14	3542670M91			1	PAD
15		◇	E-04 02 03	1	SHAFT
16		◇	E-04 02 19	1	SHAFT
17	339030X1	●	1441500X1 (3)	3	NUT
18	3556360M1			1	CHOCK
19	3676395M91	●	3676395M92 (1)	1	STIRRUP
20	339666X1		M6X20	2	SCREW



TRANSMISSION

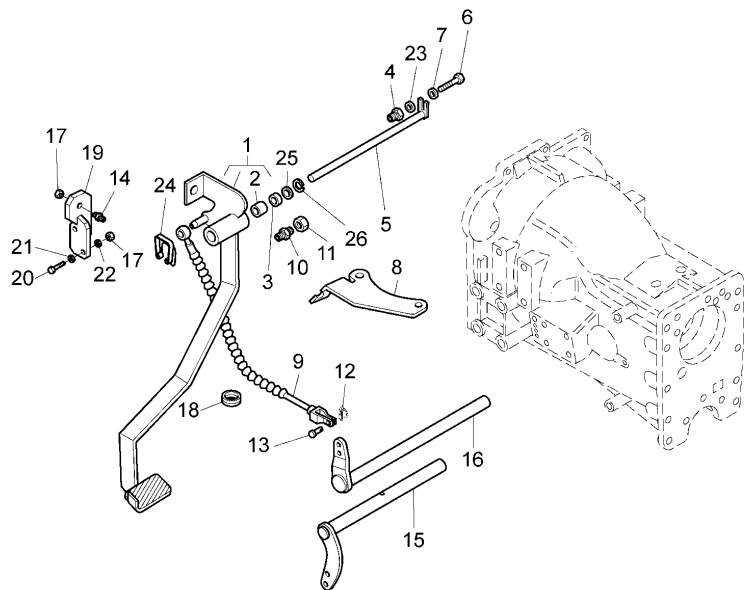
**E-04  
03**

CLUTCH PEDAL AND LINKAGE

Rex Tier 2 fp/cab  
desp. 80 F/GE



E0403



- |    |           |   |            |
|----|-----------|---|------------|
| 21 | 339375X1  | 2 | LOCK WASHE |
| 22 | 390971X1  | 2 | WASHER     |
| 23 | 339374X1  | 1 | LOCK & SEA |
| 24 | 3681921M1 | 1 | CLIP       |
| 25 | 390972X1  | 1 | WASHER     |
| 26 | 1440522X1 | 1 | RING       |

! THIS IS A COMPONENT OF AN ASSEMBLY

👁 SEE PAGE - REFERENCE NUMBER

T-A Replacement

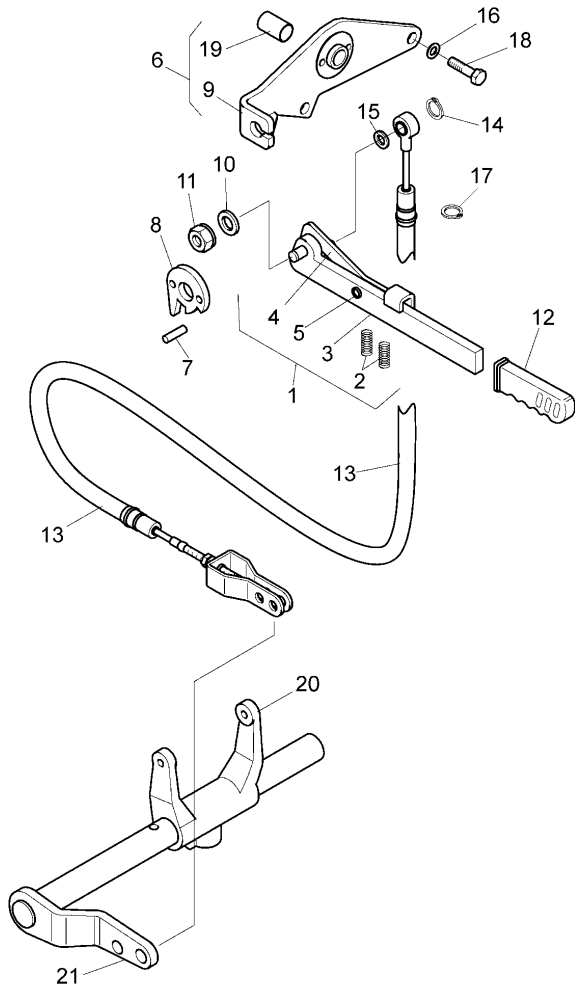
TRANSMISSION

E-04  
04

LOWER CLUTCH "P.T.O."

Rex Tier 2 fp/cab  
desp. 80 F/GE

E0404



1	3692666M94		1	LEVER
2	1821734M1	! 1		SPRING
		T-A 1:0		
3		! 1		LEVER
		REF.N.1		
4	4202924M3	! 1		SPIKE
5	4202923M3	! 1		PIN
6	3694559M91	● 3694559M92 (1)		FRAME
7	394106X1	● 1440399X1 (2)		RETAINER
		T-A 1:50		
8	3683105M1		1	SECTOR
9	3692669M91	● 3692669M92 (1)	1	PLATE
		! 6		
10	339025X1		1	WASHER
11	1441932X1		1	NUT
12	4203096M2		1	GRIP
		T-A 0:25		
13	3692876M91	● 3692876M92 (1)	1	CABLE
		T-A 0:50		
14	390702X1		1	RING
15	390734X1		1	WASHER
16	390972X1		2	WASHER
17	339422X1		1	RING
18	339761X1	M8X25	2	SCREW
19	3683100M1	! 6	1	BUSH
20		◁ E-04 02 02	1	YOKE
		T-A 4:50		

TRANSMISSION

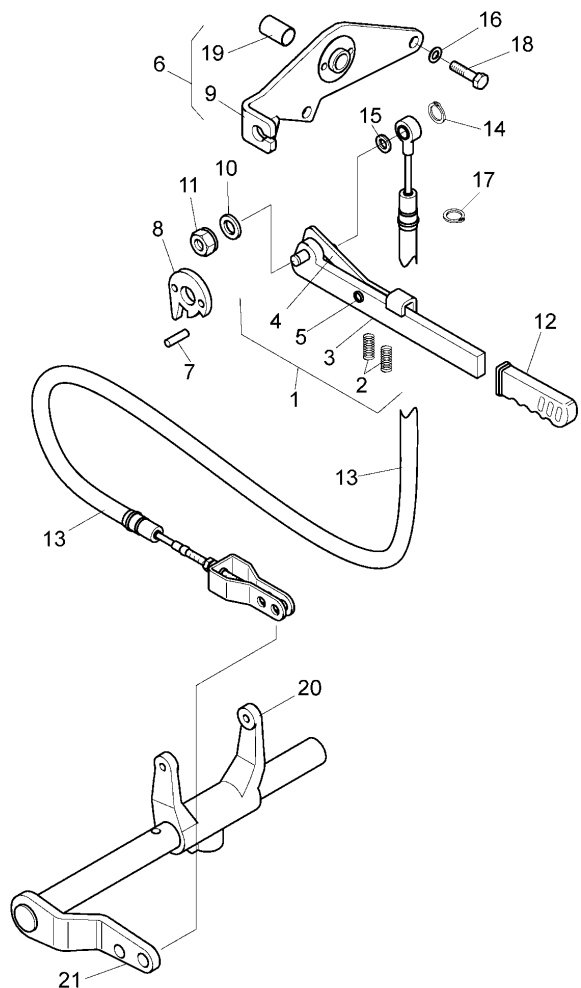
**E-04  
04**

LOWER CLUTCH "P.T.O."

Rex Tier 2 fp/cab  
desp. 80 F/GE



E0404



21

◊ E-04 02 03      1 SHAFT  
T-A 4:50

!

THIS IS A COMPONENT OF AN ASSEMBLY

◊

SEE PAGE - REFERENCE NUMBER

▶

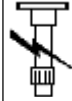
NOT SERVICED, ORDER

T-A

Replacement

TRANSMISSION

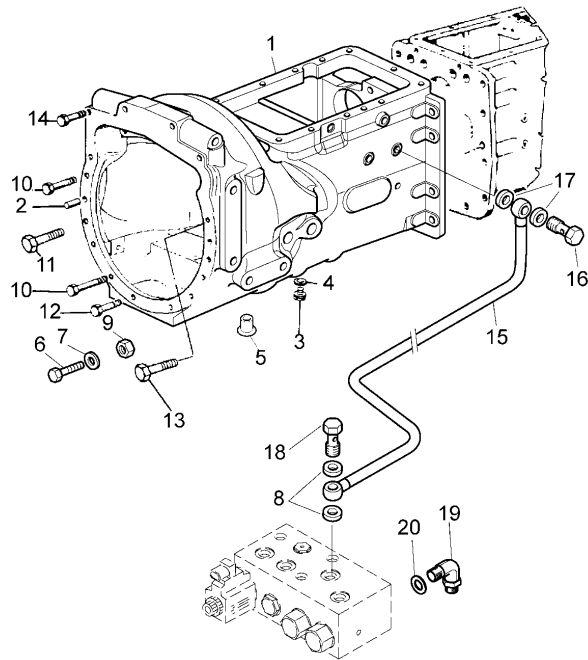
E-04  
05



E0405

Rex Tier 2 fp/cab  
desp. 80 F/GE

FRONT CENTRE HOUSING AND FLANGE - DRIVE SHAFT TO TRANS. CASE - CLUTCH BOX



1	3669619M4	A	1	AXLE
		T-A 8:50		
		T-B 10:75		
2	731434M1	● 0350018 (2)	2	RETAINER
3	3664481M91		1	PLUG
		T-A 0:25		
4	390855X1		1	WASHER
5	974809M1		2	PLUG
		T-A 0:25		
6	3008878X1	M12X1,5X85	1	SCREW
7	390735X1		1	WASHER
8	395592X1		2	WASHER
9	339643X1		1	NUT
10	391929X1	M12X60	4	SCREW
11	3001933X1	M12X70	1	SCREW
12	391112X1	● 391198X1 (6)	6	SCREW
		M12X50		
13	1443630X1	M12X100	1	SCREW
14	3015045X1	M12X75	2	SCREW
15	3692775M91		1	PIPE
16	3537542M1		1	FILLER
17	390839X1		2	GASKET
18	3553615M2		1	FILLER
19	3019302X91		1	UNION
20	3548877M1		1	WASHER
A	WITH MECHANICAL REVERSING DEVICE			
T-A	Replacement			
T-B	Overhaul			

TRANSMISSION

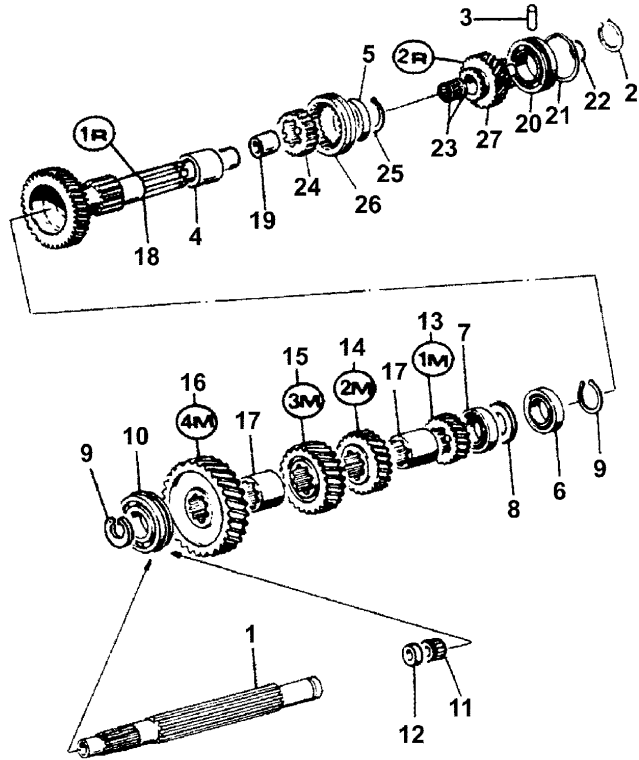
E-04  
06



E0406

Rex Tier 2 fp/cab  
desp. 80 F/GE

TRANSMISSION - "OUTPUT SHAFT"



1	☞ E-04 30 01 A T-A 19:0	1 SHAFT
2	339605X1 T-A 19:0	2 RING
3	3534671M2 T-A 19:0	1 PIN
4	3534366M1 N T-A 19:0	1 SPACER
5	3534375M1 T-A 19:0	1 BEARING
6	1440511X1 ● 4207427M1 (1) T-A 19:0	1 BEARING
7	1440511X1 ● 4207427M1 (1)	1 CUSHION
8	3530535M2 T-A 19:0	1 SPACER
9	339820X1 T-A 19:0	1 RING
10	831789M1 T-A 19:0	1 BEARING
11	3308392M1 T-A 19:0	1 CAGE

TRANSMISSION

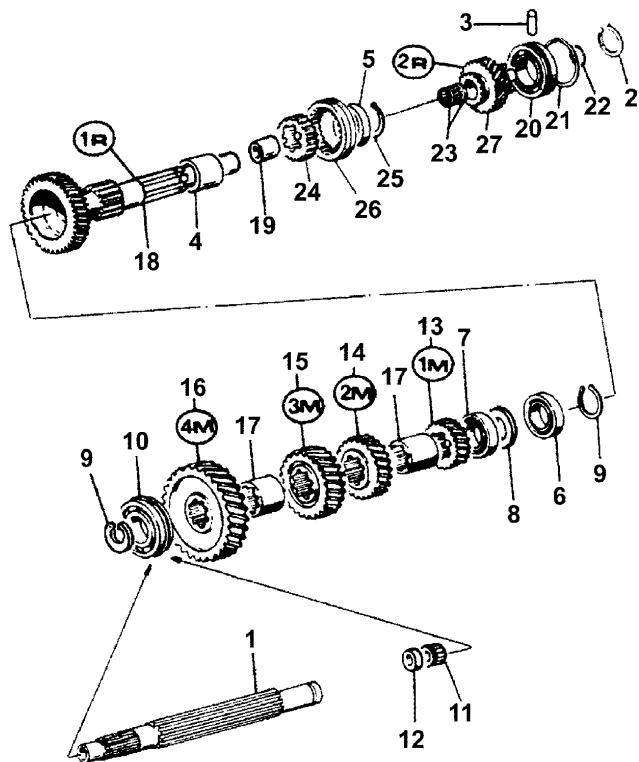
E-04  
06



E0406

Rex Tier 2 fp/cab  
desp. 80 F/GE

TRANSMISSION - "OUTPUT SHAFT"



12	3308393M1	M (X) 0.1.2.4 T-A 19:0	1	SEAL
13	3530536M1	23 B T-A 19:0	1	GEAR
14	3530537M1	30 C T-A 19:0	1	GEAR
15	3530538M1	34 D F T-A 19:0	1	GEAR
15	3688507M1	D G	1	GEAR
16	3532446M1	43 E F T-A 19:0	1	GEAR
16	3688509M1	E G	1	GEAR
17	3530540M1	T-A 19:0	2	SPACER
18	3534374M92	37/15 T-A 19:0	1	GEAR
19	979469M1	! 18 T-A 19:0	1	BUSH

TRANSMISSION

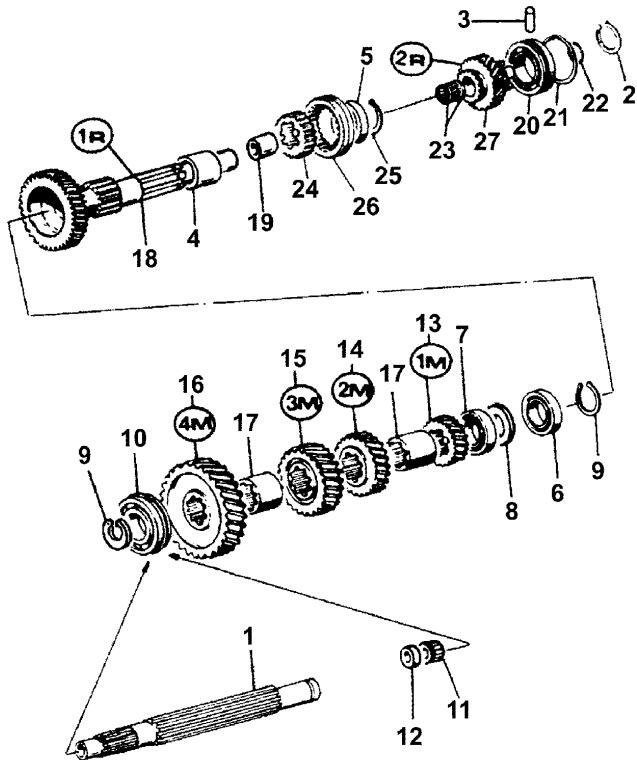
E-04  
06

TRANSMISSION - "OUTPUT SHAFT"

Rex Tier 2 fp/cab  
desp. 80 F/GE



E0406



20	1443559X1		1	CUSHION
21	339517X1		1	RING
22	395566X1		1	RING
23	395567X1		2	CAGE
24	3534402M1	N	1	HUB
		T-A 19:0		
24	3664104M1	P	1	HUB
		T-A 19:0		
25	1442697X1		1	RING
		T-A 19:0		
26	3542272M1		1	SLEEVE
		T-A 19:0		
27	3534368M1	25	1	GEAR
		T-A 19:0		

! THIS IS A COMPONENT OF AN ASSEMBLY

☞ SEE PAGE - REFERENCE NUMBER

A GEARBOX PRIMARY MOTION SHAFT

B FIRST SPEED

C SECOND SPEED

D THIRD SPEED

E FORTH SPEED

F 30 Km/h VERSION

G 36 Km/h VERSION

M WITH MECHANICAL P.T.O.

N WITHOUT REDUCER

P WITH SUPER REDUCER

T-A Replacement

▲ NUMBER OF TEETH/SPLINES

QTY PER TRACTORS SOLD (AA.BBB.CCC.DDD) (AA) FOR  
1,(BBB) 2-10 (CCC) 11-25 (DDD) 26-50

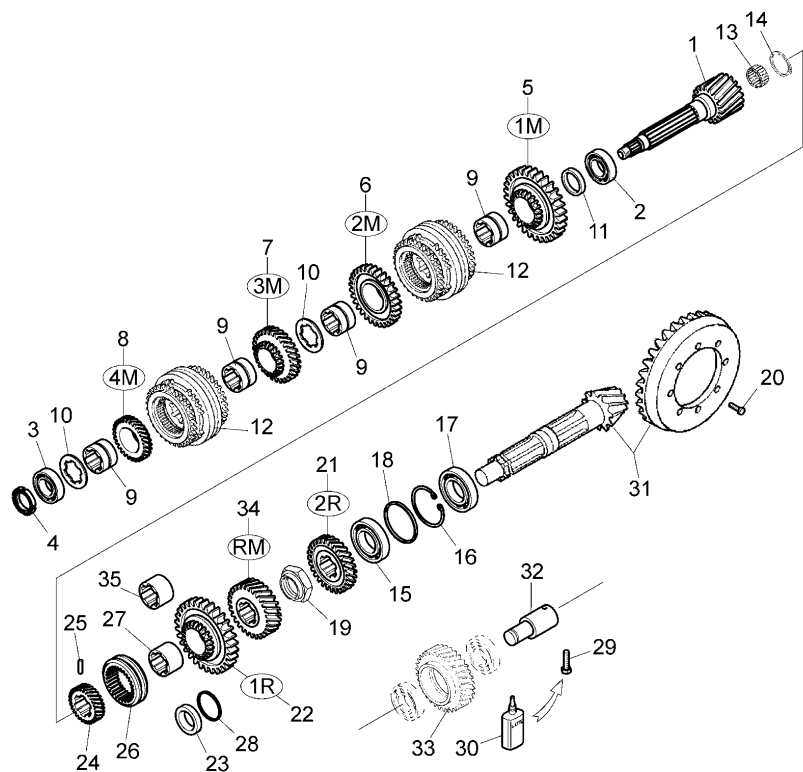
TRANSMISSION

E-04  
07

TRANSMISSION - "COUNTERSHAFT"

Rex Tier 2 fp/cab  
desp. 80 F/GE

E0407



1	3535394M2		1	SHAFT
		T-A 24:0		
2	3530755M1		1	BEARING
		T-A 24:0		
3	1440562X1		1	BEARING
		T-A 24:0		
4	3530542M1		1	FERRULE
		T-A 24:0		
5	3530543M3		1	GEAR
		A		
		T-A 24:0		
6	3530544M3		1	GEAR
		B		
		T-A 24:0		
7	3530545M3		1	GEAR
		C		
		M		
		T-A 24:0		
7	3688508M1	33	1	GEAR
		C		
		N		
		T-A 24:0		
8	3532447M3		1	GEAR
		D		
		M		
		T-A 24:0		
8	3688510M1	26	1	GEAR
		D		
		N		
		T-A 0:24		



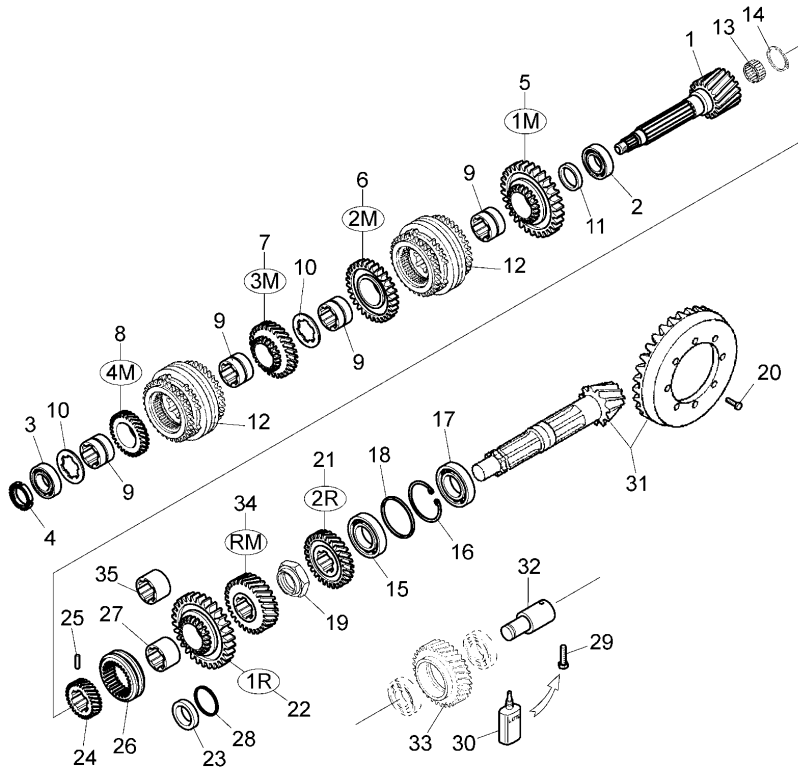
TRANSMISSION

E-04  
07

TRANSMISSION - "COUNTERSHAFT"

Rex Tier 2 fp/cab  
desp. 80 F/GE

E0407



9	3538938M2	●	3668655M1 (3) P T-A 24:0	3	BUSH
9	3668655M1		R T-A 24:0	1	BUSH
10	3530548M1		T-A 24:0	2	WASHER
11	3530549M1		T-A 24:0	1	WASHER
12	3530550M91	●	3530550M94 (1) 3539421M91 N "GRAZIANO"	1	KIT
12	3530550M94	⌋	3539421M91 M "GRAZIANO" T-A 24:0	2	SYNCHRO GE
12	3539421M91	●	3530550M94 (2) 3530550M94 "CATTINI" T-A 24:0	2	SYNCHRO GE
12	3539421M91	⌋	3530550M94 (1) 3530550M91 N "CATTINI" T-A 24:0	1	SYNCHRO GE
12	3688884M91	⌋	3688885M91 N "GRAZIANO" T-A 24:0	1	SYNCHRO GE

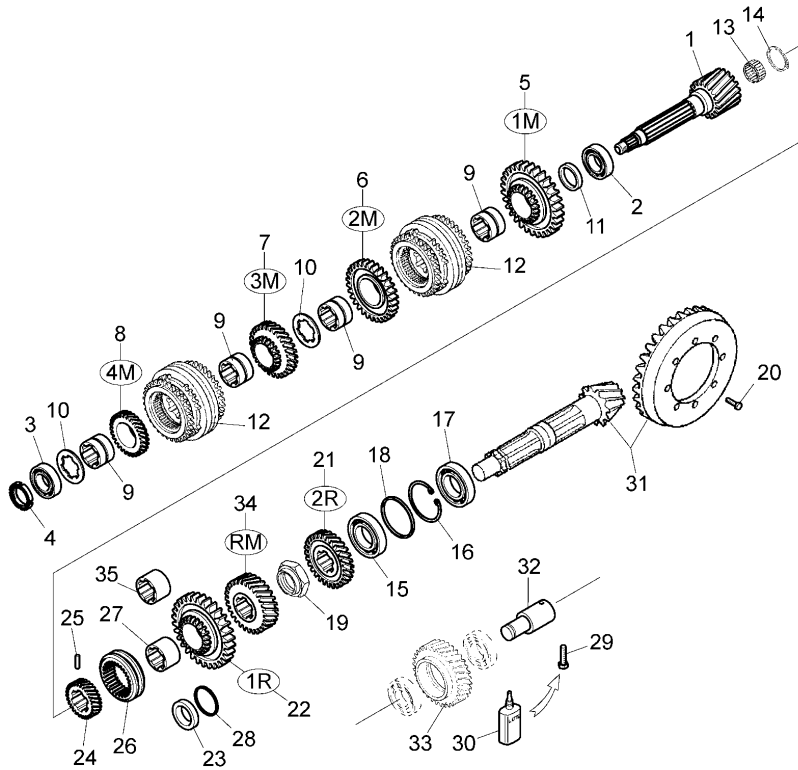
TRANSMISSION

E-04  
07

TRANSMISSION - "COUNTERSHAFT"

Rex Tier 2 fp/cab  
desp. 80 F/GE

E0407



12	3688885M91	↔	3688884M91 N "CATTINI" T-A 24:0	1	SYNCHRO GE
13	1441925X1		F (X) 0.1.3.5 T-A 24:0	1	BEARING
13	3015558X1		G T-A 24:0	1	CAGE
14	1441924X1		T-A 24:0	1	RING
14	3019352X1		G T-A 24:0	1	RING
15	1440640X1		T-A 24:0	1	BEARING
16	393580X1		T-A 24:0	1	RING
17	3532345M91		T-A 24:0	1	CUSCINET
18	1824669M1	⊙	1824670M1 (999) 0,10MM. T-A 24:0	999	SHIM
18	1824670M1	⊗	0,15MM T-A 24:0	999	SHIM

TRANSMISSION

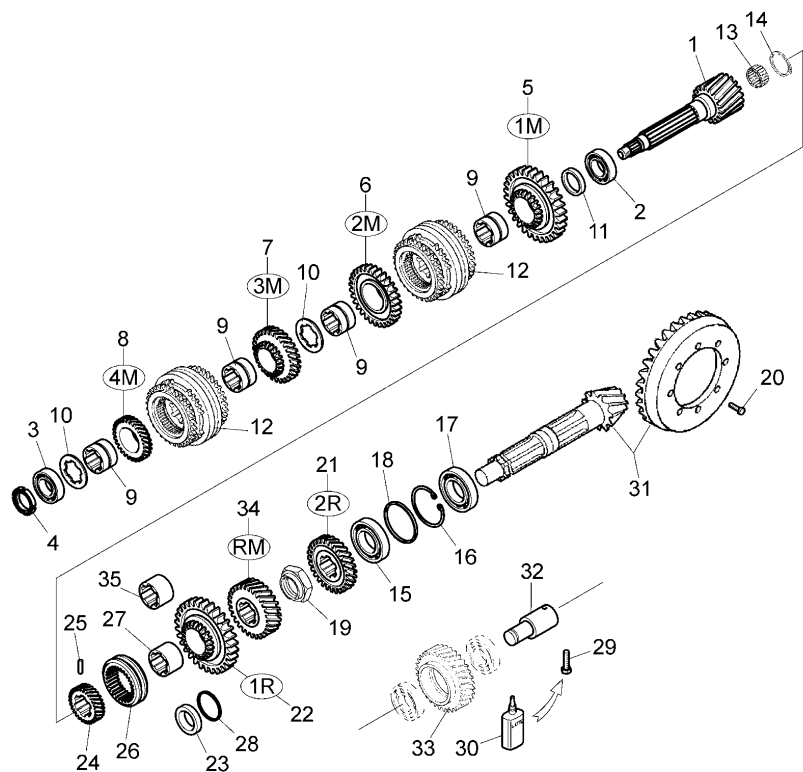
E-04  
07

TRANSMISSION - "COUNTERSHAFT"



E0407

Rex Tier 2 fp/cab  
desp. 80 F/GE



18	1824671M1	✂	0,20MM	999 SHIM
			T-A 24:0	
18	1824672M1	✂	0,30MM	999 SHIM
			T-A 24:0	
19	3307883M1		F	1 NUT
			T-A 24:0	
19	3661782M1		G	1 NUT
			T-A 24:0	
20	3015058X1		M12X45	8 SCREW
			T-A 24:0	
21	3530568M2		T-A 24:0	1 GEAR
22	3532498M1		F	1 GEAR
			T-A 24:0	
22	3666323M3	●	3666323M4 (1)	1 GEAR
			G	
			T-A 19:0	
23	3658813M1		G	1 SPACER
			T-A 24:0	
24	3536269M1		F	1 HUB
			T-A 24:0	
24	3658828M1		G	1 HUB
			T-A 24:0	

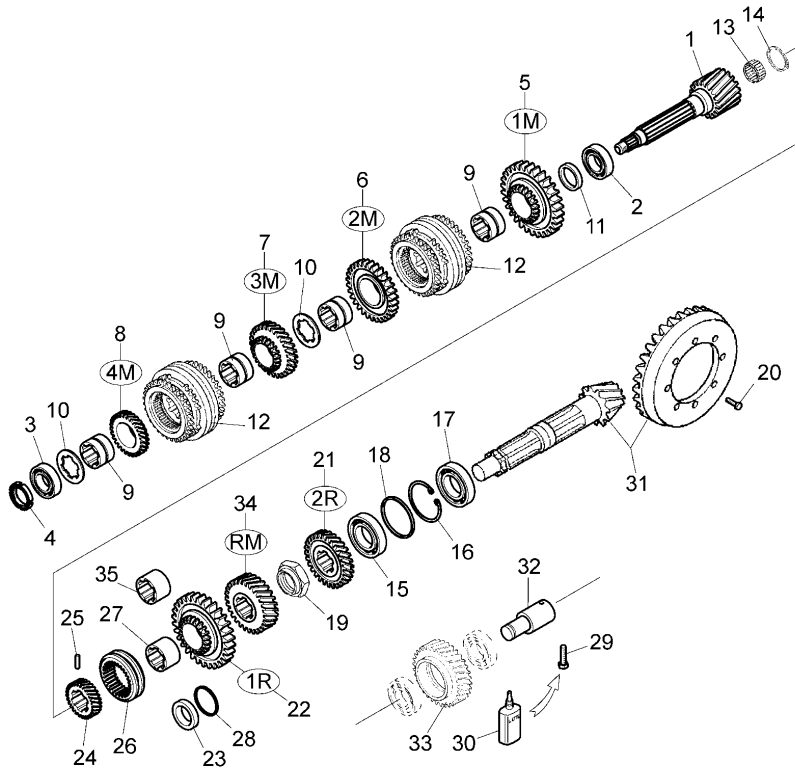
TRANSMISSION

E-04  
07

TRANSMISSION - "COUNTERSHAFT"

Rex Tier 2 fp/cab  
desp. 80 F/GE

E0407



25	1441805X1		2	DOWEL
26	3532500M3	T-A 24:0	1	MANICOTT
27	3530571M1	T-A 24:0 F	1	BUSH
28	3658826M1	T-A 24:0 G	1	SPACER
29	1441308X1	T-A 24:0 M12X16	1	SCREW
30	3303219M1		999	LOCTITE
31	3530579M91	3533148M91 F I 9/44 "GLEASON" T-A 24:0	1	KIT
31	3533148M91	3530579M91 (1) 3530579M91 F I 9/44 "KLINGELNBERG" T-A 24:0	1	KIT
31	3542251M91	F L 9/37 T-A 24:0	1	KIT

TRANSMISSION

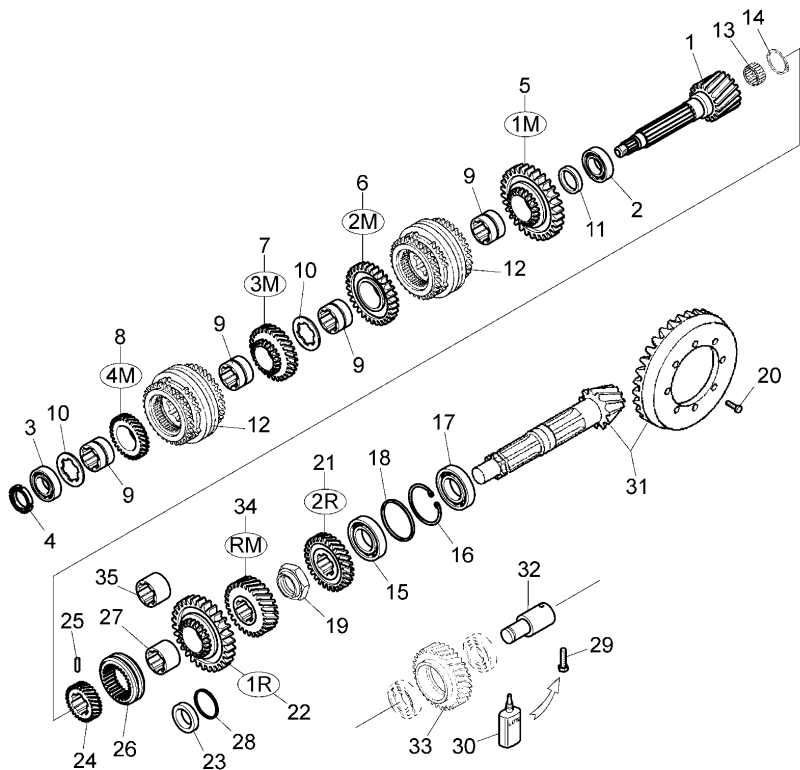
E-04  
07

TRANSMISSION - "COUNTERSHAFT"

Rex Tier 2 fp/cab  
desp. 80 F/GE



E0407



31	3671689M92	G L 9/37 T-A 24:0	1 KIT
31	3675359M91	G I 9/44 "GLEASON" T-A 24:0	1 KIT
32		⊕ E-04 13 47	1 SHAFT
33		⊕ E-04 13 46	1 GEAR
34	3531629M1	⊕ F T-A 24:0	1 GEAR
35	3547847M1	⊕ F T-A 24:0	1 SPACER

TRANSMISSION

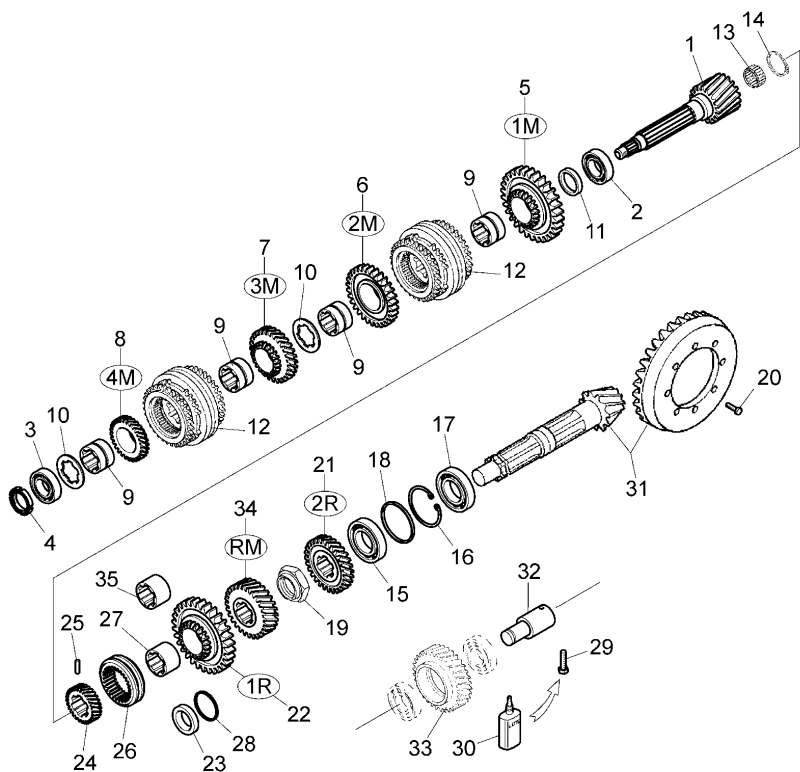
E-04  
07

TRANSMISSION - "COUNTERSHAFT"

Rex Tier 2 fp/cab  
desp. 80 F/GE



E0407



SEE PAGE - REFERENCE NUMBER



ALTERNATIVE

A

RICEIVING GEAR OF 1 GEAR



SHIM

B

RICEIVING GEAR OF 2 GEAR



4 WHEEL DRIVE

C

RICEIVING GEAR OF 3 GEAR



2 WHEEL DRIVE

D

RICEIVING GEAR OF 4 GEAR

F

WITHOUT REDUCER

G

WITH SUPER REDUCER

I

VERSION "F"

L

VERSION "GE"

M

30 Km/h VERSION

N

36 Km/h VERSION

P

FOR 1ST, 3RD AND 4TH GEAR

R

ON 2TH GEARS

T-A

Replacement

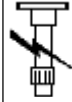


NUMBER OF TEETH/SPLINES

QTY PER TRACTORS SOLD (AA.BBB.CCC.DDD) (AA) FOR  
1,(BBB) 2-10 (CCC) 11-25 (DDD) 26-50

TRANSMISSION

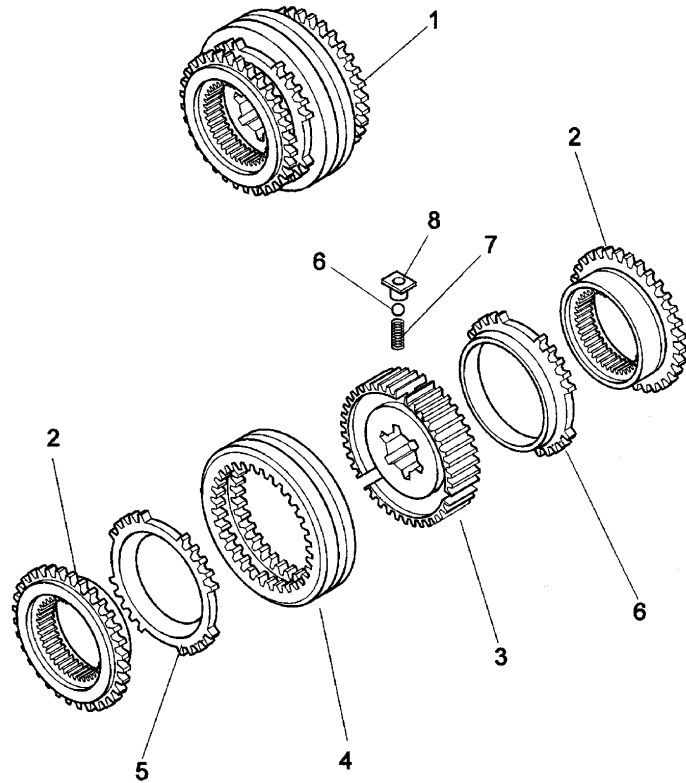
E-04  
08



E0408

Rex Tier 2 fp/cab  
desp. 80 F/GE

TRANSMISSION - "SYNCHRO"



1	3688884M91	↔	3688885M91 "GRAZIANO"	1	SYNCHRO GE
2	3657994M1	●	3538531M1 (2)	2	CROWNWHEEL
3	3311370M1	●	3534556M1 (1)	1	HUB
4	3538530M1	!	1	1	MANICOTT
5	3657995M1	●	3534405M1 (2)	2	RING
6	1444586X1	!	1	3	BALL
7	3533975M1	!	1	3	SPRING
8	3654745M1	●	3538529M1 (3)	3	INSERT
		!	1		
!	THIS IS A COMPONENT OF AN ASSEMBLY				
↔	ALTERNATIVE				
A	30 Km/h VERSION				

TRANSMISSION

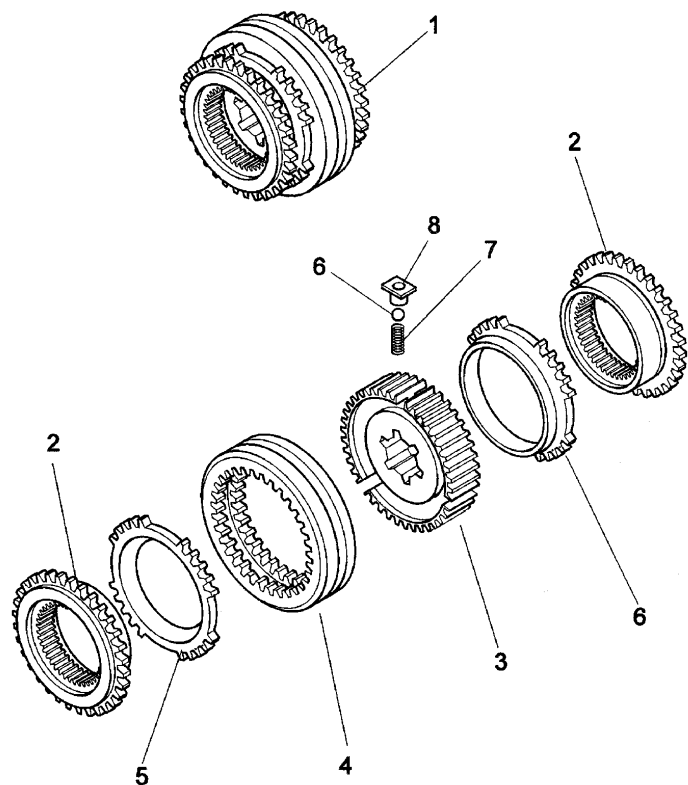
E-04  
09



E0409

Rex Tier 2 fp/cab  
desp. 80 F/GE

TRANSMISSION - "SYNCHRO"

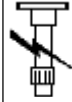


1	3688885M91	↔	A	3688884M91	1	SYNCHRO GEAR
				"CATTINI"		
				T-A 20:0		
2	3539427M1	!	1	T-A 20:0	2	CROWNWHEEL
3	3539426M1	!	1	T-A 20:0	1	HUB
4	3657969M1	●	1	3539422M1 (1)	1	MANICOTT
		!	1	T-A 20:0		
5		!	1	REF.N.1		RING
5	3657989M1	●	1	3539428M1 (1)	1	RING
		!	1	T-A 20:0		
6	1444586X1	!	1	T-A 20:0	3	BALL
7	3539425M1	!	1	T-A 20:0	3	SPRING
8	3657972M1	●	1	3539424M1 (3)	3	SKATE
		!	1	T-A 20:0		
!	THIS IS A COMPONENT OF AN ASSEMBLY					
↔	ALTERNATIVE					
▣	NOT SERVICED, ORDER					
A	30 Km/h VERSION					
T-A	Replacement					



TRANSMISSION

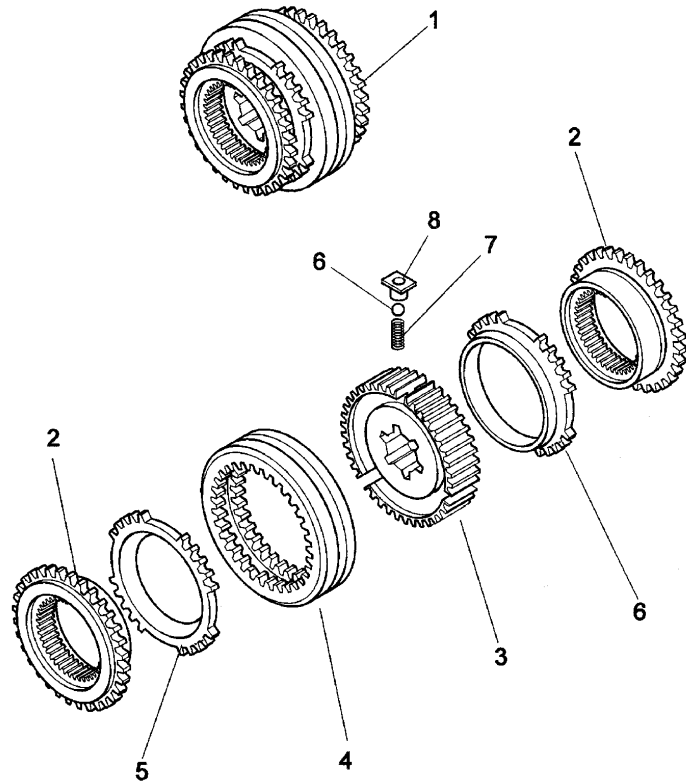
E-04  
10



E0410

Rex Tier 2 fp/cab  
desp. 80 F/GE

TRANSMISSION - "SYNCHRO"



1	3530550M94	↔	3539421M91 "GRAZIANO" T-A 20:0	1	SYNCHRO GEAR
2	3538531M1	!	1 T-A 20:0	2	CROWNWHEEL
3	3534556M1	!	1 T-A 20:0	1	HUB
4	3538530M1	!	1 T-A 20:0	1	MANICOTT
5	3534405M1	!	1 T-A 20:0	2	RING
6	1444586X1	!	1 T-A 20:0	3	BALL
7	3533975M1	!	1 T-A 20:0	3	SPRING
8	3538529M1	!	1 T-A 20:0	3	SKATE
	!		THIS IS A COMPONENT OF AN ASSEMBLY		
	↔		ALTERNATIVE		
	T-A		Replacement		

TRANSMISSION

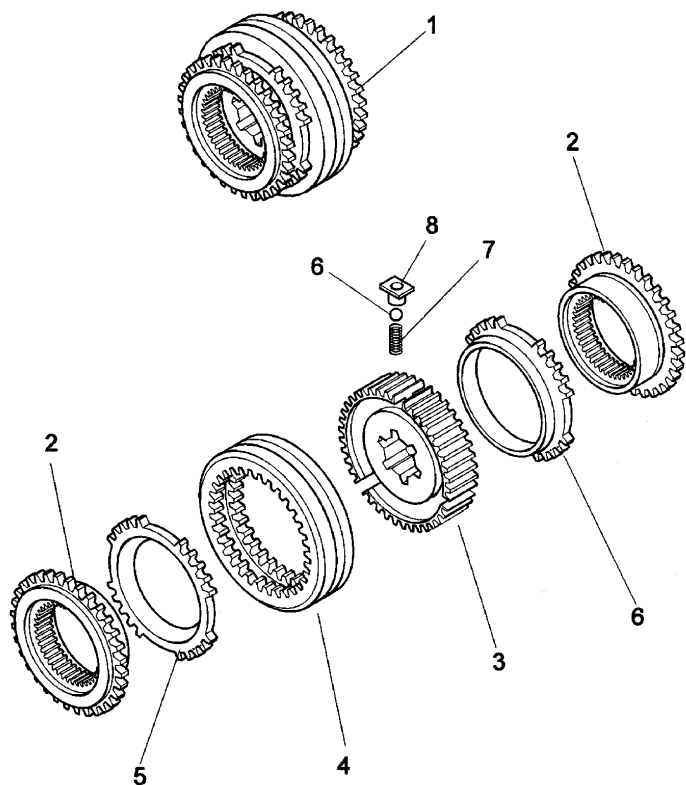
E-04  
11

TRANSMISSION - "SYNCHRO"

Rex Tier 2 fp/cab  
desp. 80 F/GE



E0411



- |     |                                    |   |                |   |              |
|-----|------------------------------------|---|----------------|---|--------------|
| 1   | 3539421M91                         | ! | 3530550M94 (1) | 1 | SYNCHRO GEAR |
|     |                                    |   | 3530550M94     |   |              |
|     |                                    |   | "GRAZIANO"     |   |              |
|     |                                    |   | T-A 20:0       |   |              |
| 2   | 3539428M1                          | ! | 1              | 2 | CROWNWHEEL   |
|     |                                    |   | T-A 20:0       |   |              |
| 3   | 3539426M1                          | ! | 1              | 1 | HUB          |
|     |                                    |   | T-A 20:0       |   |              |
| 4   | 3539422M1                          | ! | 1              | 1 | MANICOTT     |
|     |                                    |   | T-A 20:0       |   |              |
| 5   | 3539427M1                          | ! | 1              | 2 | RING         |
|     |                                    |   | T-A 20:0       |   |              |
| 6   | 1444586X1                          | ! | 1              | 3 | BALL         |
|     |                                    |   | T-A 20:0       |   |              |
| 7   | 3539425M1                          | ! | 1              | 3 | SPRING       |
|     |                                    |   | T-A 20:0       |   |              |
| 8   | 3539424M1                          | ! | 1              | 3 | SKATE        |
|     |                                    |   | T-A 20:0       |   |              |
| !   | THIS IS A COMPONENT OF AN ASSEMBLY |   |                |   |              |
| ↔   | ALTERNATIVE                        |   |                |   |              |
| T-A | Replacement                        |   |                |   |              |

TRANSMISSION

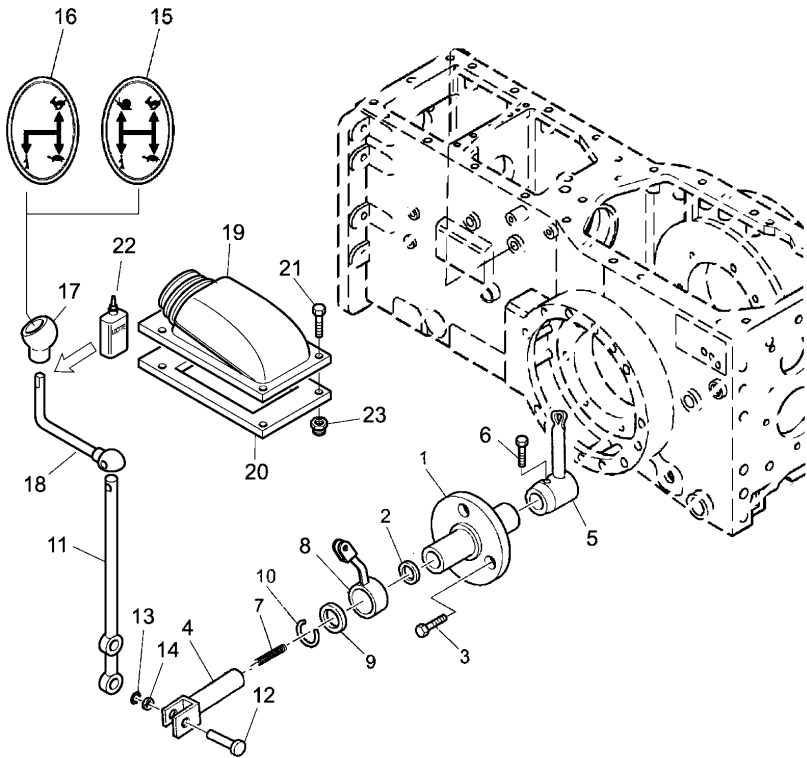
E-04  
12

SHIFT LEVERS - RODS AND YOKES



E0412

Rex Tier 2 fp/cab  
desp. 80 F/GE



1	3669626M1		1	FLANGE
2	3019915X1		1	O RING
3	339123X1	M8X20	3	SCREW
4	3669647M1		1	ROD
5	3669648M2		1	LEVER
6	3546200M1	M10X1.25	1	SCREW
7	1427476M1		1	SPRING
8	3669649M1		1	LEVER
9	3669923M1	T-A 5:0	1	WASHER
10	339713X1		1	RING
11	3669650M1		1	LEVER
12	3655716M2	T-A 1:0	2	PIN
13	1441923X1		2	RING
14	1440308X1	● 390734X1 (2)	2	WASHER
15	3675458M1	A	1	TOOL BIT
16	3675457M1	T-A 0:25	1	TOOL BIT
17	3663938M91	B	1	KNOB
18	3670184M93	T-A 0:25	1	LEVER
19	3670770M1	T-A 0:25	1	BELLOWS

TRANSMISSION

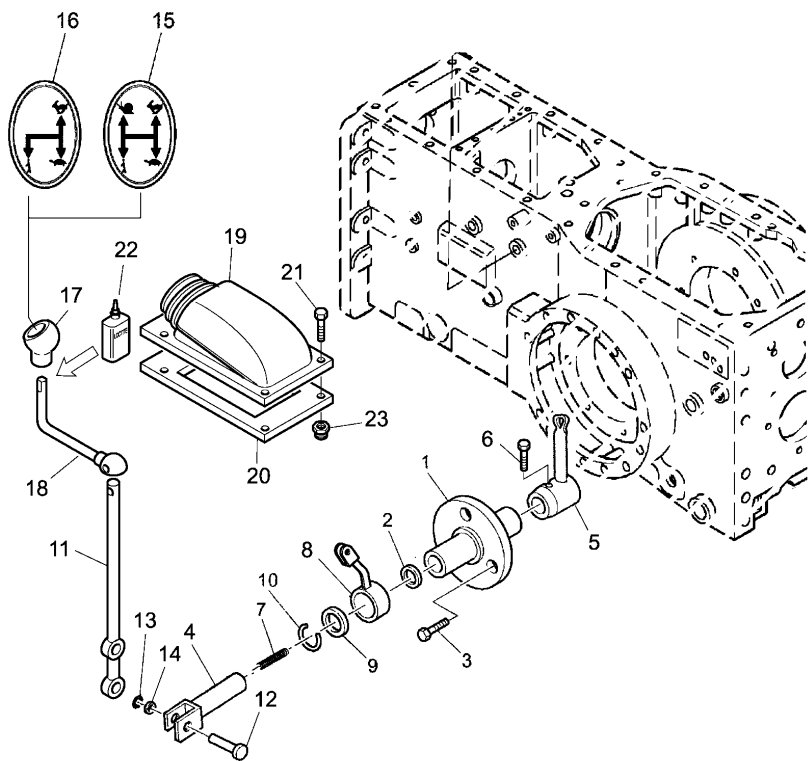
**E-04**  
**12**

SHIFT LEVERS - RODS AND YOKES



E0412

Rex Tier 2 fp/cab  
desp. 80 F/GE



- |     |                    |       |     |         |
|-----|--------------------|-------|-----|---------|
| 20  | 3677339M1          |       | 2   | SKIRT   |
| 21  | 3009560X1          | M4X16 | 4   | SCREW   |
| 22  | 3308788M1          |       | 999 | LOCTITE |
| 23  | 3684598M1          |       | 4   | RIVET   |
| A   | WITH SUPER REDUCER |       |     |         |
| B   | WITHOUT REDUCER    |       |     |         |
| T-A | Replacement        |       |     |         |

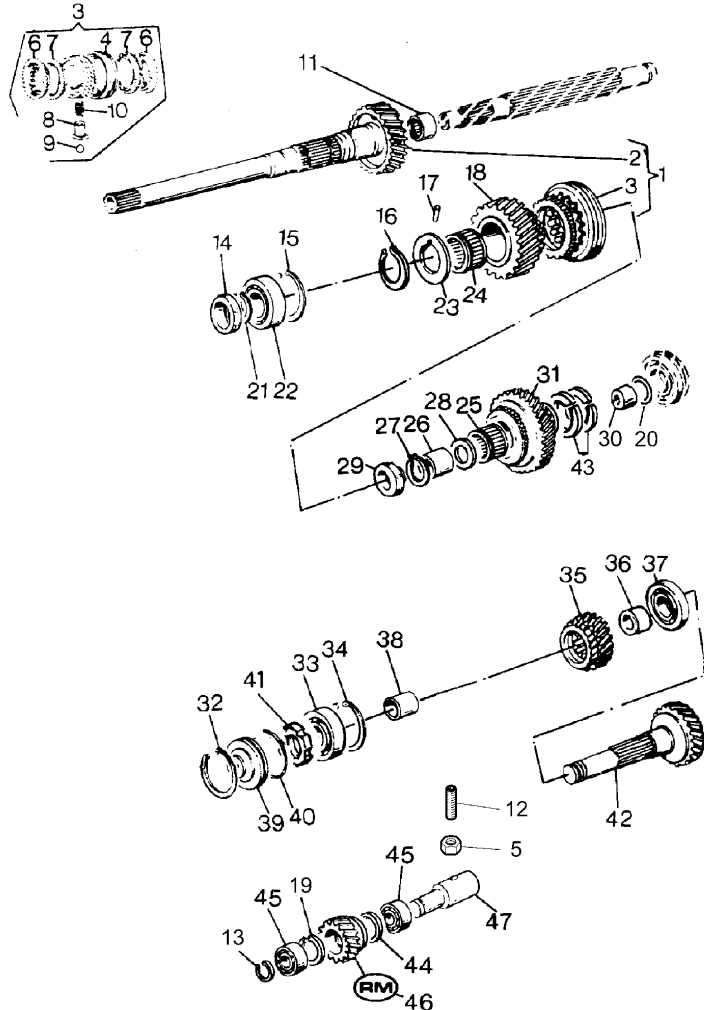
TRANSMISSION

E-04  
13

REDUCER CONTROL "OPTIONS" - REDUCTION RATIO 5,3 : 1

Rex Tier 2 fp/cab  
desp. 80 F/GE

E0413

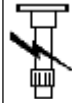


1	3550785M91	●	A	3550786M91 (1)	1	SHAFT
		⌋		3550786M91 "GRAZIANO" T-A 17:0		
1	3550786M91	⌋		3550785M91 "CATTINI" T-A 17:0	1	SHAFT
2	3550787M1	!	1	T-A 17:0	1	SHAFT
3	3538468M92	!	1	90 MM "GRAZIANO" T-A 17:0	1	SYNCHRO GEAR
3	3549749M91	●	!	3538468M92 (1)	1	SYNCHRO GE
		!	1	90 MM "CATTINI"		
4	3538584M1	●	!	3538468M92 (1)	1	MANICOTT
		!	3	"GRAZIANO"		
4	3549750M1	!	3	"CATTINI" T-A 17:0	1	SLEEVE
5	1442576X1				1	NUT
6	3538531M1	!	3	"GRAZIANO"	2	CROWNWHEEL
6	3539428M1	!	3	"CATTINI" T-A 17:0	2	CROWNWHEEL

TRANSMISSION

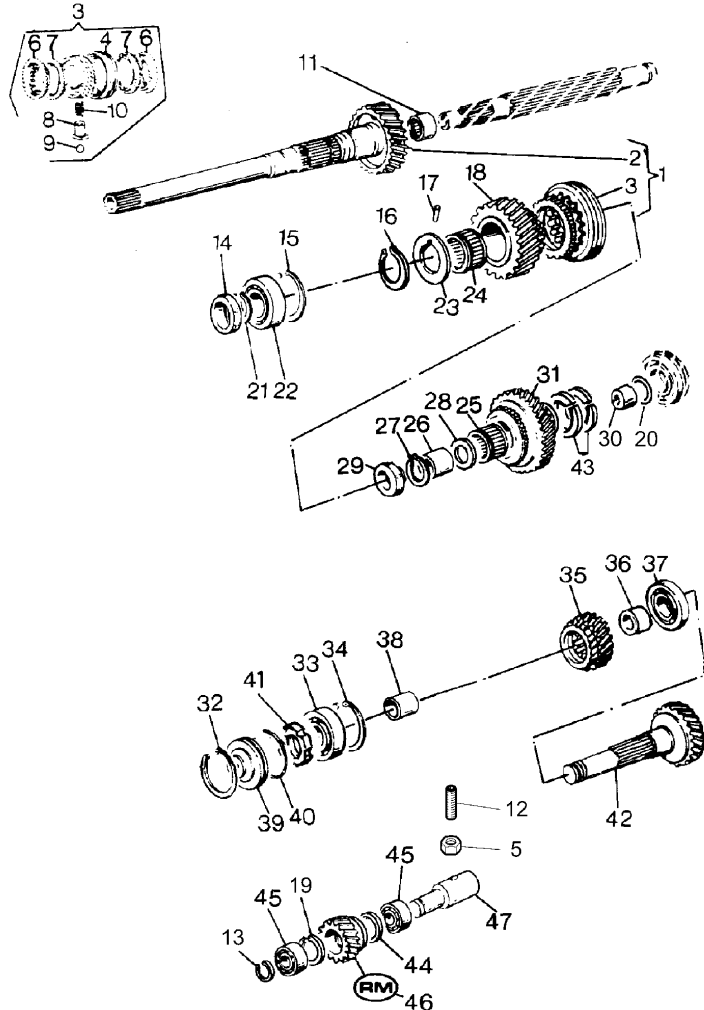
E-04  
13

REDUCER CONTROL "OPTIONS" - REDUCTION RATIO 5,3 : 1



E0413

Rex Tier 2 fp/cab  
desp. 80 F/GE

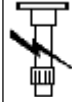


7	3538127M1	!	3	2	RING
			"GRAZIANO"		
7	3549754M1	!	3	2	RING
			"CATTINI"		
			T-A 17:0		
8	3538529M1	!	3	3	SKATE
			"GRAZIANO"		
8	3539424M1	!	3	3	SKATE
			"CATTINI"		
			T-A 17:0		
9	1444586X1	!	3	3	BALL
			T-A 17:0		
10	3533975M1	!	3	3	SPRING
			"GRAZIANO"		
10	3539425M1	!	3	3	SPRING
			"CATTINI"		
			T-A 17:0		
11	3533946M1			1	CAGE
			T-A 17:0		
12	3302110M2			1	SCREW
			T-A 17:0		
13	395565X1			1	RING
			T-A 17:0		
14	973454M1			1	SEAL
			T-A 17:0		
15	339437X1			1	RING
			T-A 17:0		

TRANSMISSION

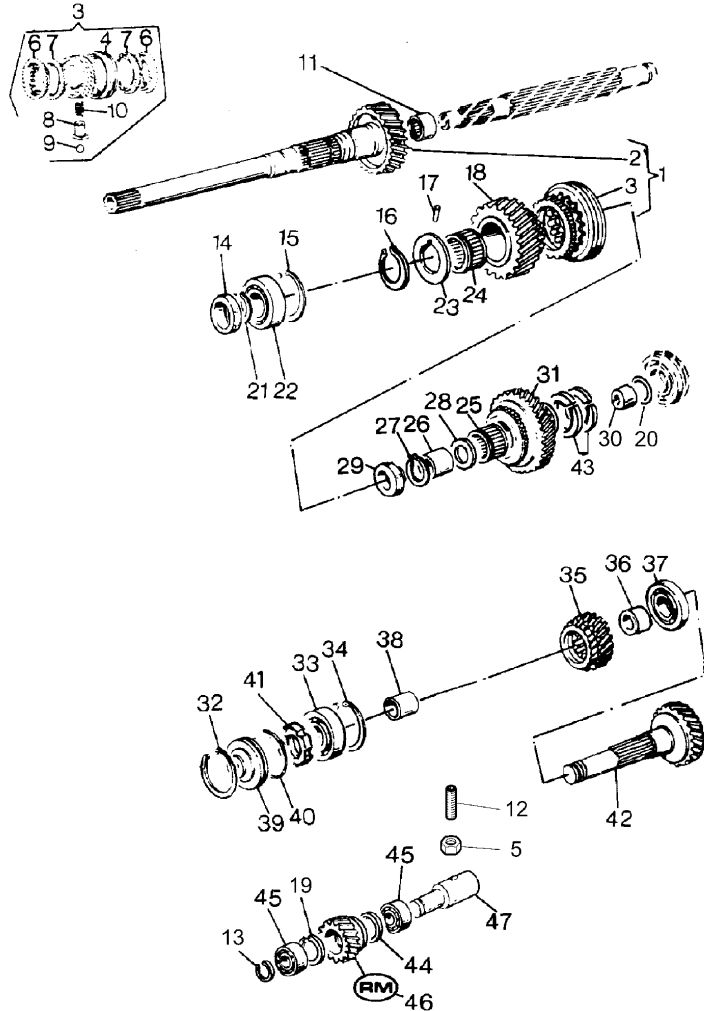
E-04  
13

REDUCER CONTROL "OPTIONS" - REDUCTION RATIO 5,3 : 1



E0413

Rex Tier 2 fp/cab  
desp. 80 F/GE

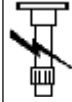


16	390232X1		1	RING
17	3019301X1	T-A 17:0	1	DOWEL
18	3548390M1	T-A 17:0	1	GEAR
19	339126X1	T-A 17:0	1	RING
20	3019912X1	T-A 17:0	2	O RING
21	339820X1	T-A 17:0	1	RING
22	339818X1	T-A 17:0	1	BEARING
23	3309354M1	T-A 17:0	1	DISC
24	3647577M1	T-A 17:0	1	CAGE
25	3304944M1	T-A 17:0	1	BEARING
26	3548467M1	T-A 17:0	1	BUSH
27	3006803X1	T-A 17:0	1	RING

TRANSMISSION

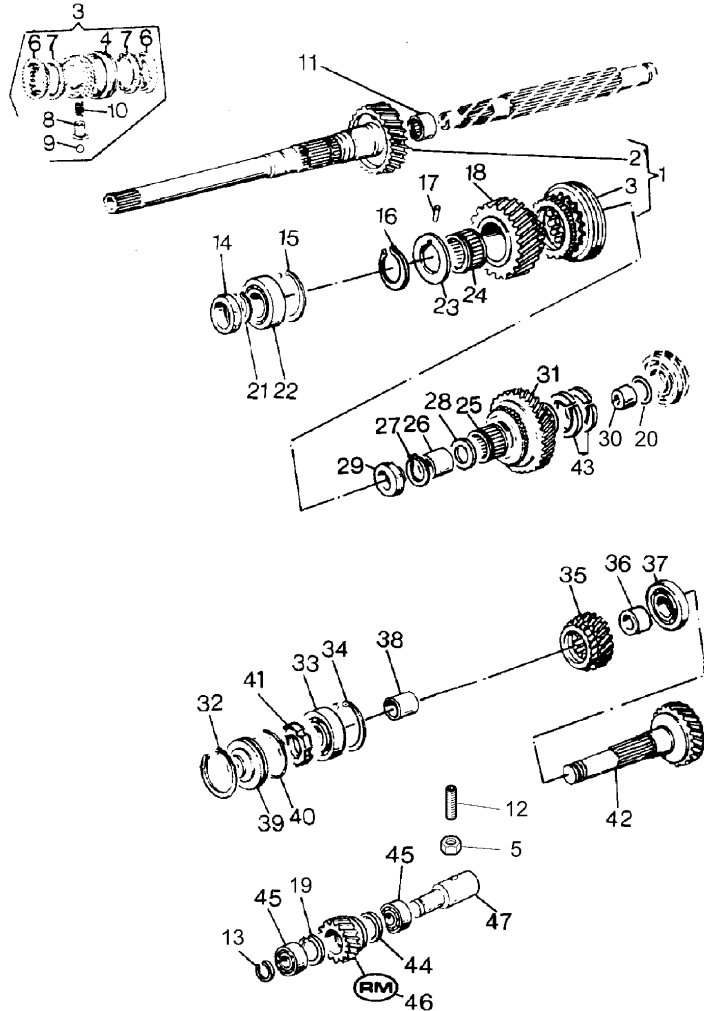
E-04  
13

REDUCER CONTROL "OPTIONS" - REDUCTION RATIO 5,3 : 1



E0413

Rex Tier 2 fp/cab  
desp. 80 F/GE



28	3548402M1		1	WASHER
		T-A 17:0		
29	3676568X1		1	RING
30	3666163M2		1	PIPE
		T-A 17:0		
31	3548316M1	B	1	GEAR
		T-A 17:0		
32	1443524X1		1	RING
		T-A 17:0		
33	339436X1		1	BEARING
		T-A 17:0		
34	339437X1		1	RING
		T-A 17:0		
35	3534907M2		1	GEAR
		T-A 17:0		
36	3544709M1		1	SPACER
		T-A 17:0		
37	339818X1		1	BEARING
		T-A 17:0		
38	3666178M1		1	SPACER
		T-A 17:0		
39	3305048M2		1	COVER
		T-A 17:0		



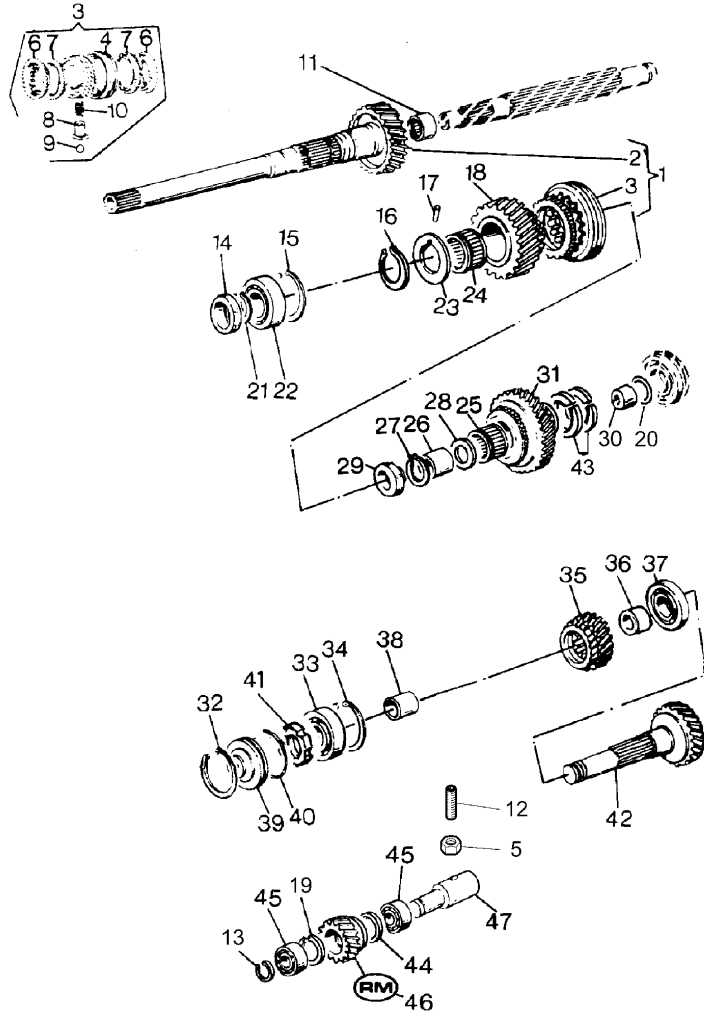
TRANSMISSION

E-04  
13

REDUCER CONTROL "OPTIONS" - REDUCTION RATIO 5,3 : 1

Rex Tier 2 fp/cab  
desp. 80 F/GE

E0413



40	3305049M1		1 RING
41	392771X1	T-A 17:0	1 FERRULE
42	3544705M1	T-A 17:0	1 SHAFT
43	3548395M1	T-A 17:0	2 RING
44	3534355M1	T-A 17:0	1 SPACER
45	3015010X1	T-A 17:0	2 BEARING
46	3309363M1	T-A 17:0	1 GEAR
47	3533979M2	T-A 17:0	1 SHAFT
	● 3533979M3 (1)		
48	831789M1	T-A 17:0	1 BEARING
!	THIS IS A COMPONENT OF AN ASSEMBLY		
↗	ALTERNATIVE		
A	WITH MECHANICAL REVERSING DEVICE		
B	RECEIVING GEAR		
∅	DIAMETER		
T-A	Replacement		

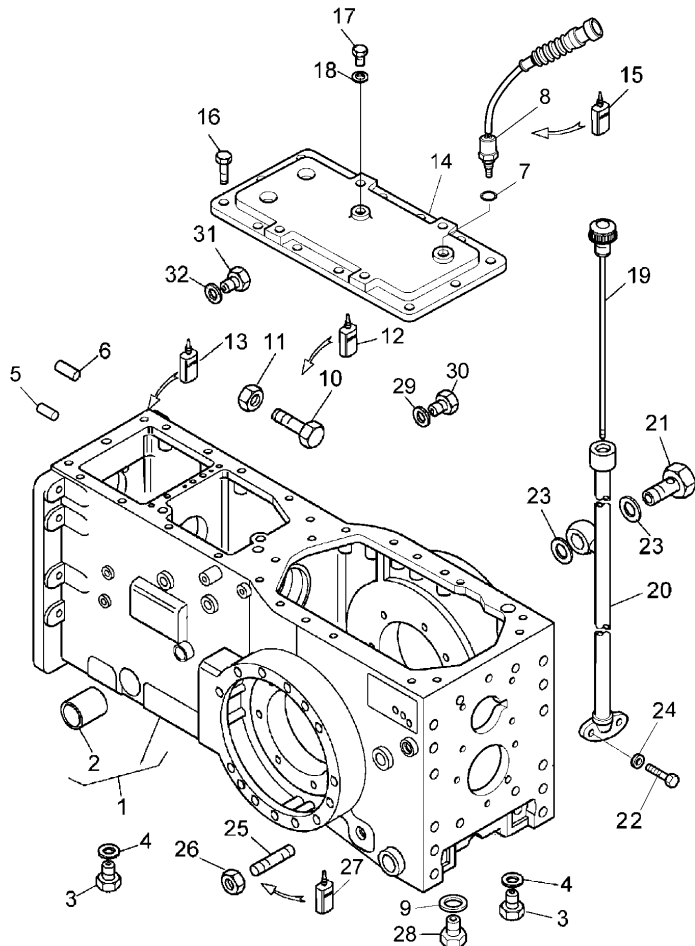
TRANSMISSION

E-04  
14

TRANSMISSION - "HOUSING" - HOUSING AND COVER

Rex Tier 2 fp/cab  
desp. 80 F/GE

E0414



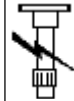
- |    |            |   |               |     |            |
|----|------------|---|---------------|-----|------------|
| 1  | 3670723M2  | ● | 3670723M5 (1) | 1   | CRANKCASE  |
| 2  | 1423482M1  |   |               | 2   | BUSH       |
| 3  | 3664481M91 |   | T-A 1:0       | 5   | PLUG       |
| 4  | 390855X1   |   | T-A 0:25      | 5   | WASHER     |
| 5  | 3538774M1  |   | T-A 0:25      | 1   | DOWEL      |
| 6  | 1440693X1  |   |               | 1   | DOWEL      |
| 7  | 1440012X1  |   |               | 1   | WASHER     |
| 8  | 3670780M91 | A |               | 1   | SWITCH,IND |
| 9  | 1440704X1  |   |               | 2   | WASHER     |
| 10 | 1442899X1  |   | T-A 0:25      | 12  | SCREW      |
| 11 | 1440200X1  |   | M12X65        | 10  | NUT        |
| 12 | 3545546M1  |   |               | 999 | LOCTITE    |
| 13 | 3308788M1  |   |               | 999 | LOCTITE    |
| 14 | 3669651M2  |   | T-A 5:25      | 1   | COVER      |
| 15 | 3308788M1  |   | T-A 4:50      | 999 | LOCTITE    |
| 16 | 3009493X1  |   | M10X30        | 13  | SCREW      |
| 17 | 392798X1   |   |               | 1   | PLUG       |
| 18 | 1444746X1  |   |               | 1   | GASKET     |
| 19 | 3679293M91 |   |               | 1   | ROD        |
| 20 | 3669635M91 |   | T-A 0:50      | 1   | PIPE       |

TRANSMISSION

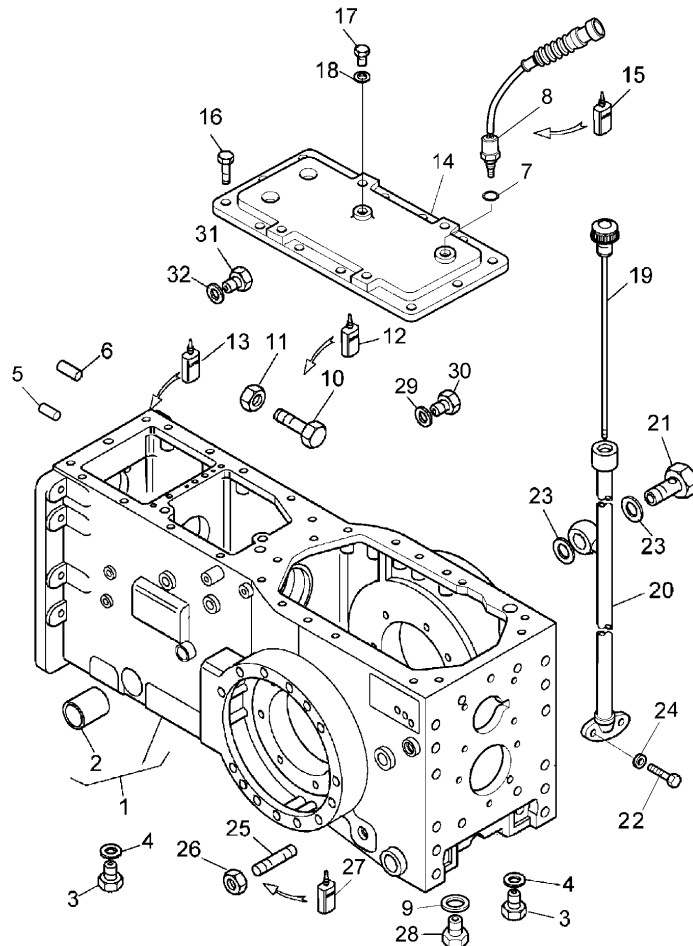
E-04  
14

TRANSMISSION - "HOUSING" - HOUSING AND COVER

Rex Tier 2 fp/cab  
desp. 80 F/GE



E0414



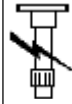
21	3537542M1		1	FILLER
22	1442692X1	M6X25	2	SCREW
23	1440012X1		2	WASHER
24	3019918X1		1	O RING
25	3015546X1	M14X50	2	SCREW
25	3304695M1	M14X35	4	SCREW
26	339079X1	M14	4	NUT
27	3545546M1		999	LOCTITE
28	3019437X1		2	PLUG
29	1440784X1	T-A 0:25 E	1	RING
30	392766X1	E	1	PLUG
31	392757X1		1	PLUG
32	1444745X1		1	RING
A	NEUTRAL SAFETY STARTING			
C	WITH MECHANICAL P.T.O.			
E	WITHOUT REDUCER			
T-A	Replacement			

TRANSMISSION

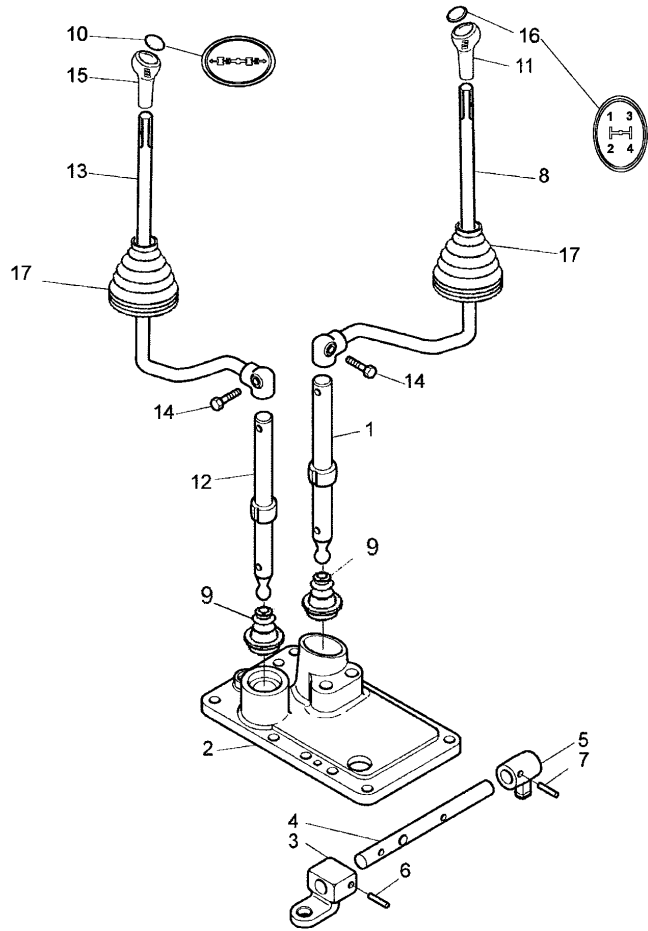
E-04  
15

MECHANICAL MANUAL SHUTTLE - CONTROL

Rex Tier 2 fp/cab  
desp. 80 F/GE



E0415



1	◇ E-04 22 16	1 LEVER
2	◇ E-04 22 10	1 COVER
3	3669630M1	1 LEVER
	T-A 6:0	
4	3669631M3	1 ROD
	T-A 6:0	
5	3669632M1	1 LEVER
	T-A 6:0	
6	1441736X1	1 DOWEL
	T-A 6:0	
7	1441739X1 ● 339248X1 (1)	1 DOWEL
	T-A 6:0	
8	3671212M94	1 LEVER
	B	
	T-A 0:50	
9	3530683M92	2 CAP
	T-A 4:75	
10	3663984M1	1 PLATE
	T-A 0:25	
11	3663938M91	1 KNOB
	T-A 0:25	
12	◇ E-04 22 15	1 LEVER
13	3671211M95	1 LEVER
	A	
	T-A 0:50	

TRANSMISSION

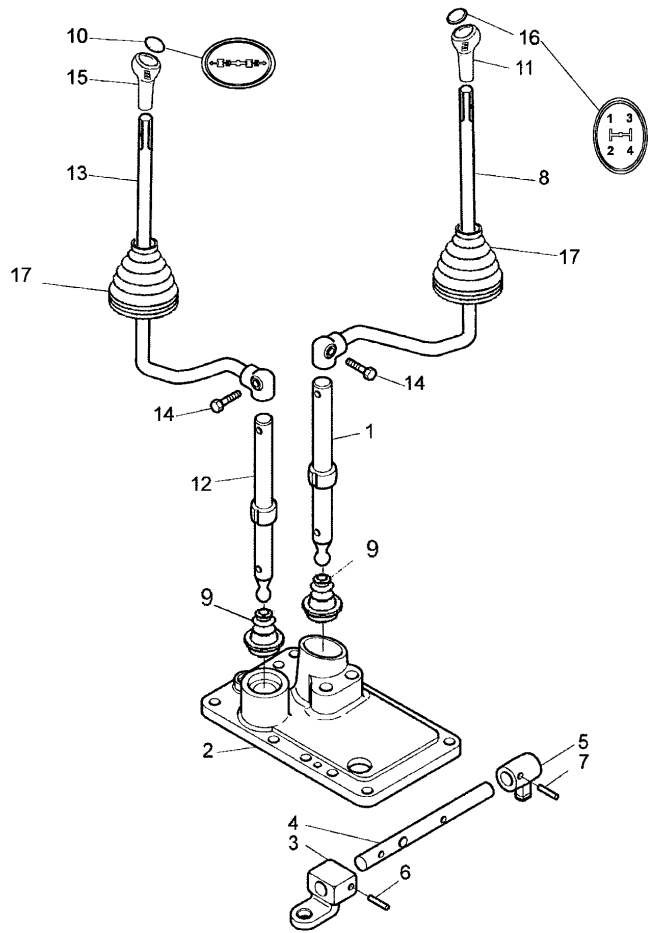
**E-04  
15**

MECHANICAL MANUAL SHUTTLE - CONTROL

Rex Tier 2 fp/cab  
desp. 80 F/GE



E0415



- |     |                             |                      |   |           |
|-----|-----------------------------|----------------------|---|-----------|
| 14  | 3658654M1                   | M10X1,25<br>T-A 0:50 | 2 | SCREW     |
| 15  | 3663938M91                  |                      | 1 | KNOB      |
| 16  | 3670952M1                   |                      | 1 | NAMEPLATE |
| 17  | 3650905M1                   | T-A 0:25             | 2 | BELLOWS   |
| ☞   | SEE PAGE - REFERENCE NUMBER |                      |   |           |
| A   | REVERSOMATIC CONTROL        |                      |   |           |
| B   | "SPEEDS" CONTROL            |                      |   |           |
| T-A | Replacement                 |                      |   |           |

TRANSMISSION

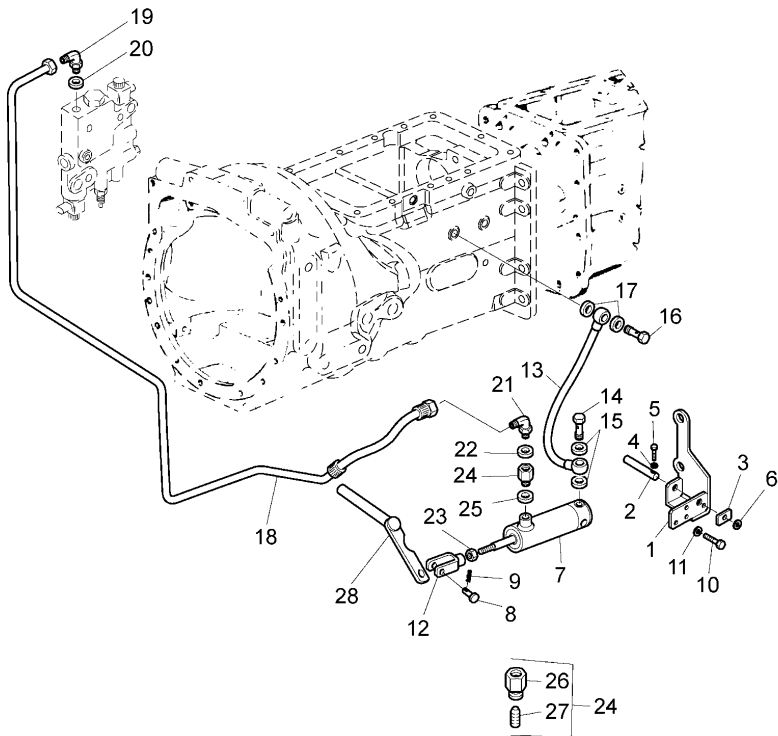
E-04  
16

LOWER CLUTCH "P.T.O."



E0416

Rex Tier 2 fp/cab  
desp. 80 F/GE

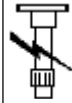


1	3672797M91	T-A 1:50 Con serbatoio supplementare aggiungere 1.50 ora	1	STIRRUP
2	3300073M1		1	PIN
3	3300126M1		1	PLATE
4	339585X1		1	WASHER
5	339228X1	M8X12	1	SCREW
6	390972X1		1	WASHER
7	3652403M2	T-A 1:50 Con serbatoio supplementare aggiungere 1.50 ora	1	CYLINDER
8	975528M1		1	PIN
9	1442992X1	● 391401X1 (1)	1	LINCH PIN
10	393764X1	M16X20	1	SCREW
11	391414X1		1	LOCK WASHE
12	3679064M1		1	YOKE
13	3673089M92		1	PIPE
14	394209X1	T-A 0:50 M10X1	1	FILLER
15	3554591M1		2	GASKET
16	3537542M1	M14X1,5	1	FILLER
17	390839X1		2	GASKET
18	3673088M93		1	PIPE
19	3019302X91		1	UNION
20	3548877M1		1	WASHER
21	3660751M91		1	UNION
22	3532523M1		1	WASHER
23	3009694X1		1	NUT
24	3682823M91		1	VALVE
25	3542937M1		1	WASHER
26	3682824M1	! 24	1	BODY
27	3682825M1	! 24	1	VALVE

TRANSMISSION

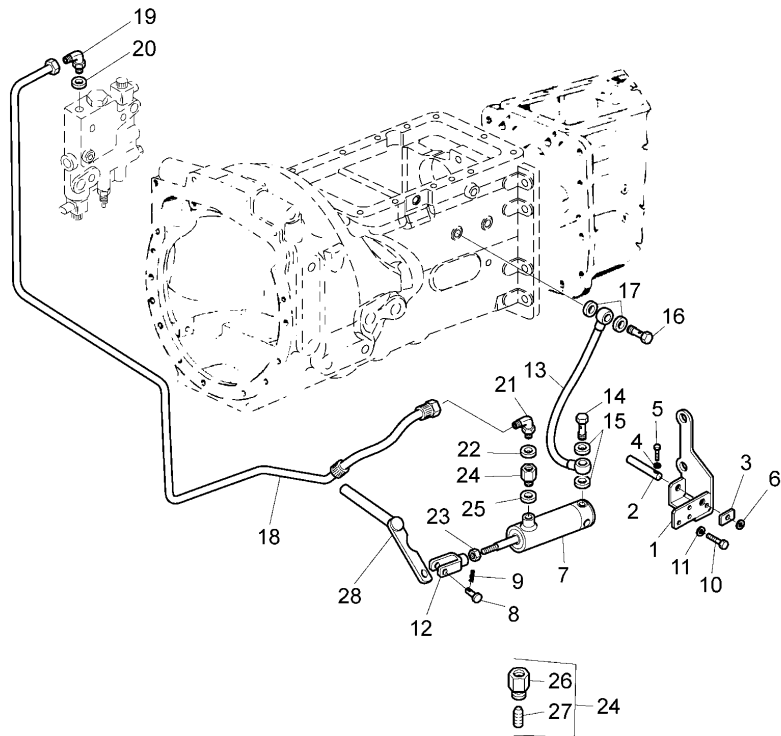
E-04  
16

LOWER CLUTCH "P.T.O."



E0416

Rex Tier 2 fp/cab  
desp. 80 F/GE



28

!

⊕

T-A

⊕ E-04 02 03      1 SHAFT  
THIS IS A COMPONENT OF AN ASSEMBLY  
SEE PAGE - REFERENCE NUMBER  
Replacement

TRANSMISSION

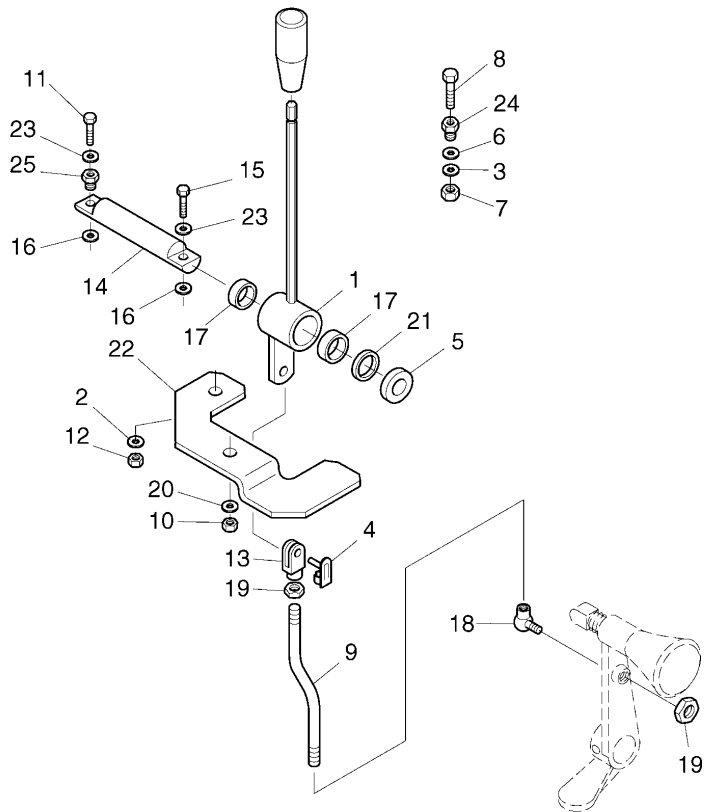
E-04  
17

PTO-CONTROL - HAND MECHANICAL CONTROL



E0417

Rex Tier 2 fp/cab  
desp. 80 F/GE



1	3667075M91		1	LEVER
2	391038X1		1	WASHER
3	339375X1		1	LOCK WASHE
4	3307702M91		2	PIN
5	3669825M1		1	SPACER
6	390971X1		1	WASHER
7	3009693X1	● 339402X1 (1)	1	NUT
8	339262X1		1	SCREW
9	3686952M1		1	TIE ROD
10	394367X1		1	NUT
11	339009X1	M8X35	1	SCREW
12	1441500X1		1	NUT
13	392466X1		2	YOKE
14	3546722M1		1	PIN
15	339761X1	T-A 0:50 M8X25	1	SCREW
16	339374X1		2	LOCK WASHER
17	3545940M1		2	SPACER
18	392295X1		1	BALL JOINT
19	339169X1	● 394367X1 (2)	2	NUT
20	390972X1		1	WASHER
21	3546309M1		6	SPRING
22	3676704M3		1	RETAINER
23	390972X1		2	WASHER
24	3663519M1		1	INSERT
25	3665878M1		1	INSERT
D	WITH SYNCHRON POWER TAKE OFF			
E	WITH MECHANIC P.T.O.			
T-A	Replacement			



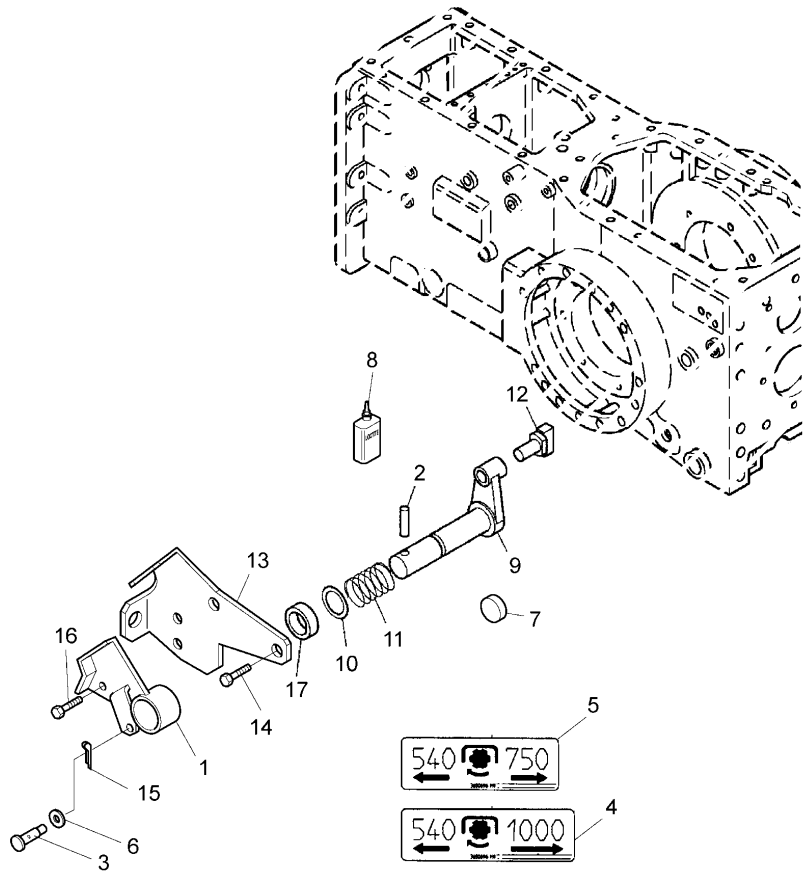
TRANSMISSION

E-04  
18

PTO-CONTROL - SELECTOR 540-750-1000 R.P.M.

Rex Tier 2 fp/cab  
desp. 80 F/GE

E0418



- |    |            |   |                 |     |            |
|----|------------|---|-----------------|-----|------------|
| 1  | 3686954M91 | ● | 3686954M92 (1)  | 1   | LEVER      |
| 2  | 339071X1   |   |                 | 1   | DOWEL      |
| 3  | 3307341M1  |   |                 | 1   | PIN        |
| 4  | 3535698M1  |   |                 | 1   | DECAL      |
| 5  | 3650696M1  |   |                 | 1   | NOTE PLATE |
| 6  | 390972X1   |   |                 | 1   | WASHER     |
| 7  | 3006020X1  |   |                 | 1   | PLUG       |
| 8  | 3663814M1  | ● | 1427801M2 (999) | 999 | LOCTITE    |
| 9  | 3536089M3  |   |                 | 1   | LEVER      |
| 10 | 3019914X1  |   |                 | 1   | O RING     |
| 11 | 3547211M1  |   |                 | 1   | SPRING     |
| 12 | 974436M2   |   |                 | 1   | SKATE      |
| 13 | 3667770M2  |   |                 | 1   | SELECTOR   |
| 14 | 339123X1   |   |                 | 2   | SCREW      |
| 15 | 3308154M1  |   |                 | 1   | RETAINER   |
| 16 | 3652836M91 |   |                 | 1   | SCREW      |

TRANSMISSION

**E-04**  
**18**

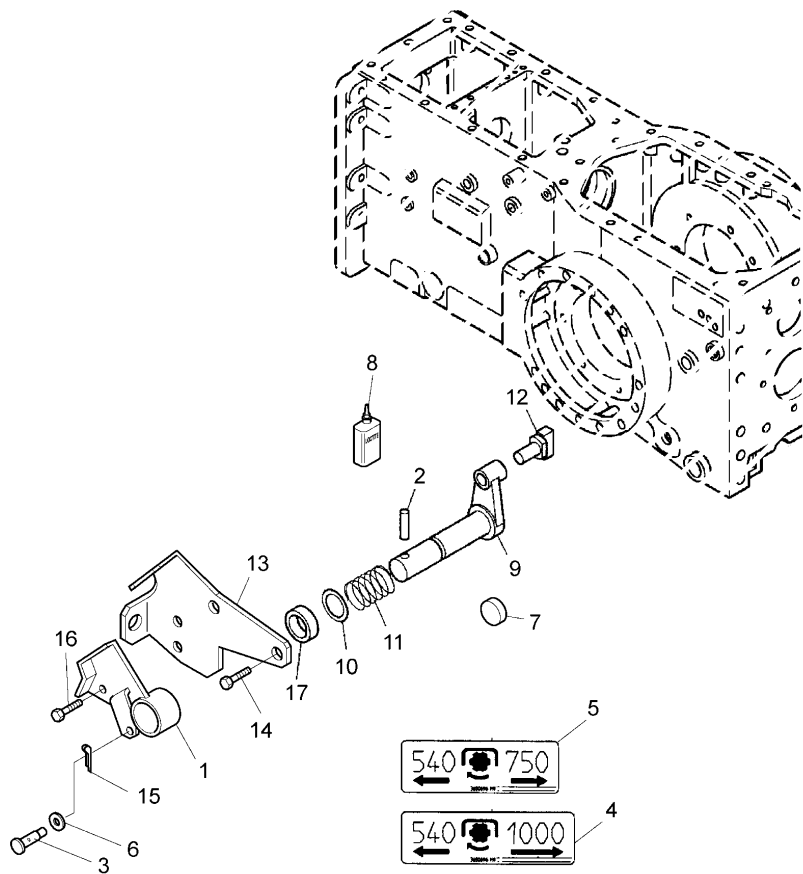
PTO-CONTROL - SELECTOR 540-750-1000 R.P.M.



E0418

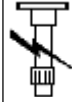
Rex Tier 2 fp/cab  
desp. 80 F/GE

- 17 3652772M2 T-A 1:0 1 SPACER
- A WITH SYNCHRON POWER TAKE OFF
- C EXCLUDED "N.A.O." MARKET
- D WITH MECHANIC P.T.O.
- E FOR MARKET "N.A.O."
- T-A Replacement



TRANSMISSION

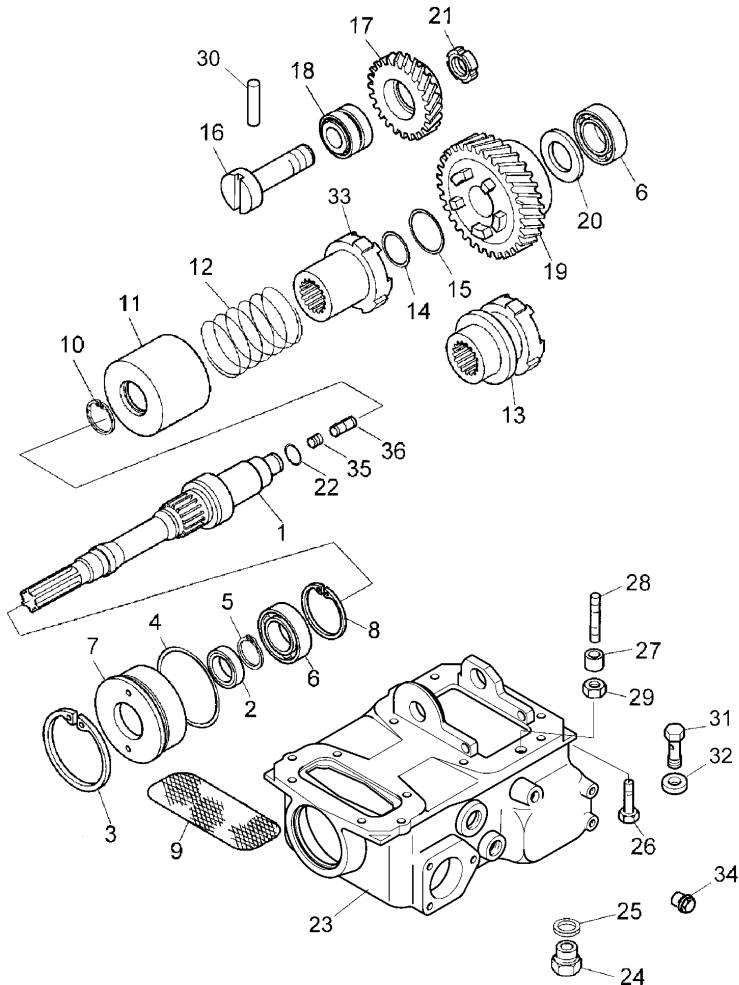
E-04  
19



E0419

Rex Tier 2 fp/cab  
desp. 80 F/GE

TRANSFER GEAR BOX AND DRIVE SHAFT: OUTPUT SHAFT

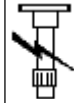


1	3682624M3	⊞	A	1	SHAFT
			T-A 4:0		
1	3682625M3	●	3682625M4 (1)	1	SHAFT
		⊞	B		
			T-A 4:0		
2	3019952X1	⊞	T-A 2:50	1	RING
3	390613X1		T-A 2:0	1	RING
4	152613M1		T-A 2:25	1	RING
5	1440477X1	●	392758X1 (1)	1	RING
		⊞			
6	1440494X1	⊞		2	CUSCINET
7	3655691M1	⊞	T-A 2:25	1	SUPPORT
7	3671858M1	⊞	T-A 2:25	1	SUPPORT
8	1440479X1	⊞		1	RING
9		◊	E-04 25 12	1	SCREEN
			T-A 2:25		
10	3015231X1	⊞		1	RING
11	3696785M91	⊞	T-A 4:0	1	WASHER

TRANSMISSION

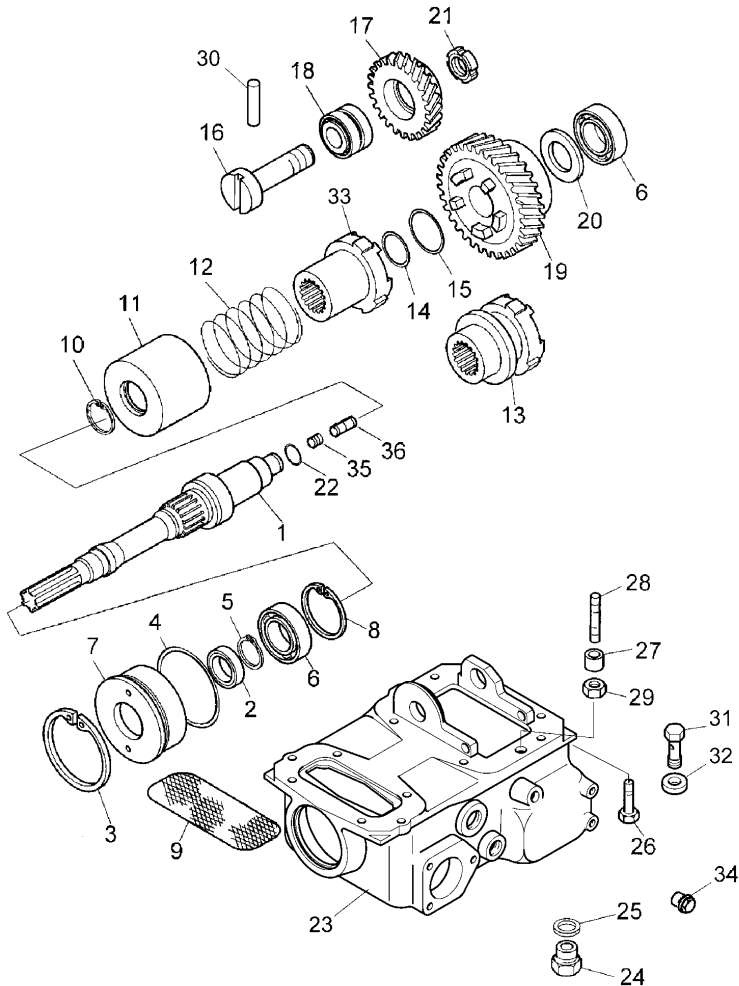
E-04  
19

TRANSFER GEAR BOX AND DRIVE SHAFT: OUTPUT SHAFT



E0419

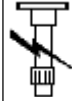
Rex Tier 2 fp/cab  
desp. 80 F/GE



12	3665210M1			1	SPRING
13	3688667M3		T-A 4:0	1	SLEEVE
14	378251X1		B T-A 4:0	1	O RING
15	338854X1		T-A 4:0	1	O RING
16	3534683M2		372962X1 (1) T-A 4:0	1	PIN
16	3673575M1		A T-A 4:0	1	PIN
17	3535788M1		B T-A 4:0	1	GEAR
18	3534457M91		A T-A 4:0	1	BEARING
19	3688828M1		B T-A 4:0	1	GEAR
19	3689220M1		A T-A 4:0	1	GEAR

TRANSMISSION

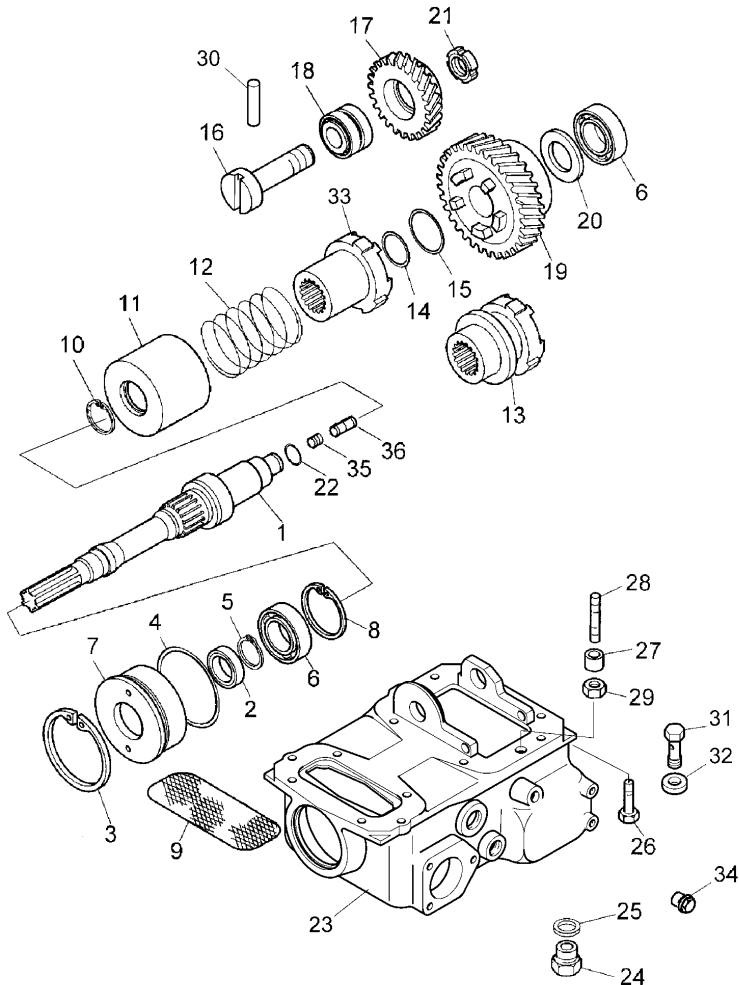
E-04  
19



E0419

Rex Tier 2 fp/cab  
desp. 80 F/GE

TRANSFER GEAR BOX AND DRIVE SHAFT: OUTPUT SHAFT



20	3531635M1	⊞	1	WASHER
21	3534684M1	⊞	1	FERRULE
		A		
		T-A 4:0		
22	3552976M1	⊞	1	RING
		T-A 4:0		
23	3689215M1	●	1	BOX
		3689215M2 (1)		
		A		
		T-A 2:0		
		T-B 4:0		
23	3689216M2	●	1	BOX
		3689216M3 (1)		
		B		
		T-A 2:0		
		T-B 4:0		
24	3664481M91		2	PLUG
25	390855X1		2	WASHER
26	3009493X1	M10X30	6	SCREW
26	339018X1	M10X40	6	SCREW
27	3532272M1		2	BUSH
28	391240X1	M10X40	2	STUD
29	339402X1		2	NUT
30	339414X1	B	1	PIN
31	3667937M2		1	PLUG
32	1442211X1		1	WASHER
33	3689883M3	⊞	1	SLEEVE
		A		
		T-A 4:0		
34	1442560X1		1	PLUG
35	3681630M1	⊞	1	SCREW

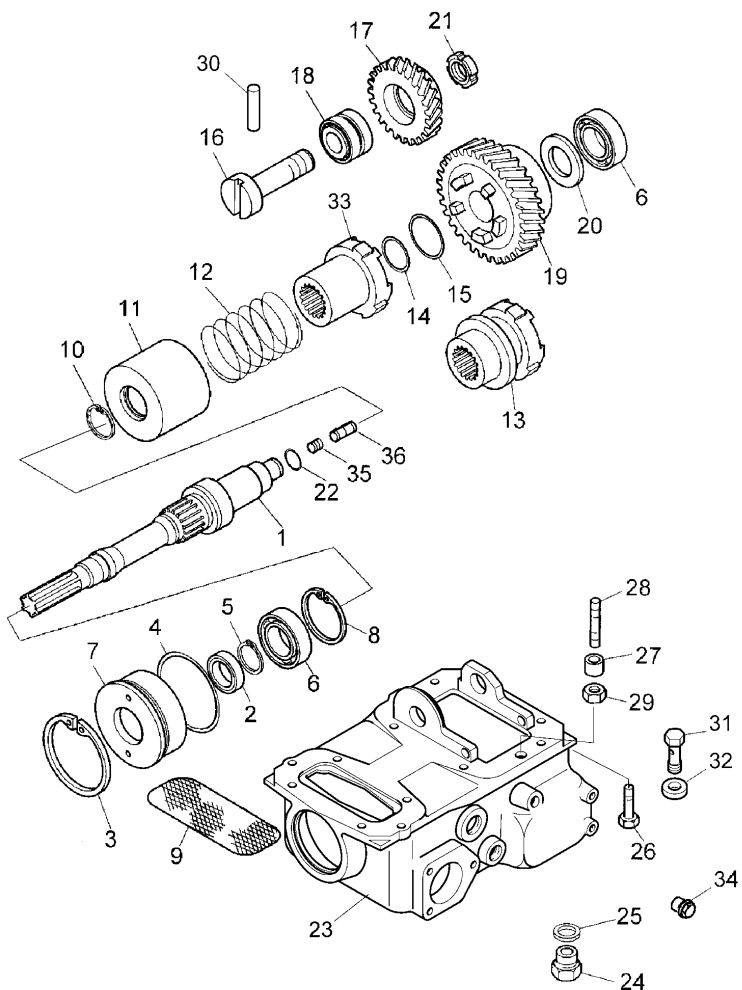
TRANSMISSION




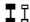
E-04  
19

TRANSFER GEAR BOX AND DRIVE SHAFT: OUTPUT SHAFT

Rex Tier 2 fp/cab  
desp. 80 F/GE

E0419



- 36 3682563M2  1 LOCKER
-  SEE PAGE - REFERENCE NUMBER
- A WITHOUT REDUCER
- B WITH REDUCER
-  4 WHEEL DRIVE
-  2 WHEEL DRIVE
- T-A Replacement
- T-B Overhaul

TRANSMISSION

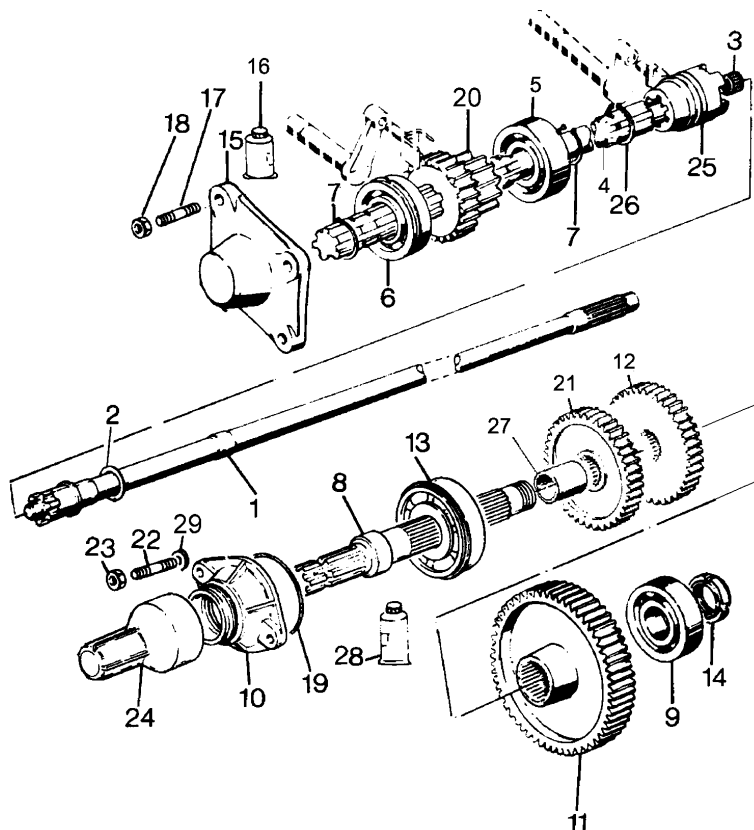
E-04  
20

PTO SHAFT - SELECTOR 540/750/1000 R.P.M.

Rex Tier 2 fp/cab  
desp. 80 F/GE



E0420



	G	
1	3691649M1	1 SHAFT
	T-A 3:0	
2	1423680M1	1 RING
3	1442537X1	1 CAGE
	T-A 3:0	
4	1423681M2	1 SHAFT
	A	
	540 R.P.M.	
	T-A 3:0	
4	3679549M1	1 SHAFT
	T	
5	339436X1	1 BEARING
	T-A 3:0	
6	1440559X1	1 BEARING
	T-A 3:0	
7	339469X1	4 RING
	A	
7	390863X1	5 RING
	T	
8	3690972M1 ● 3690972M3 (1)	1 SHAFT
	T-A 3:0	
9	353105X1	1 BEARING
	T-A 3:0	
10	3543738M2	1 COVER
	T-A 0:50	
	540 R.P.M.	
11	1825001M3	1 GEAR
	T-A 3:0	

TRANSMISSION

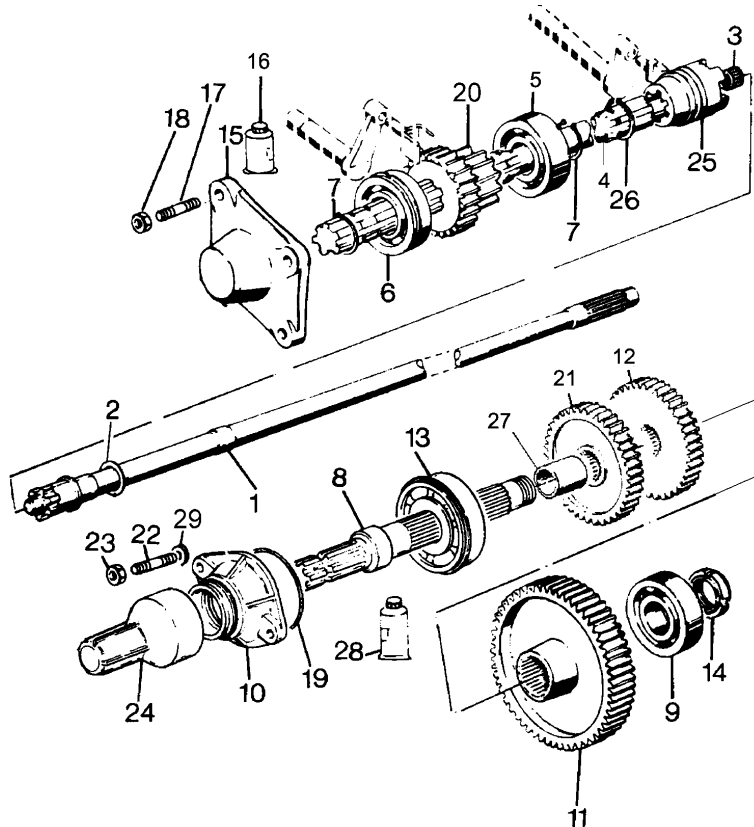
E-04  
20

PTO SHAFT - SELECTOR 540/750/1000 R.P.M.



E0420

Rex Tier 2 fp/cab  
desp. 80 F/GE



12	3539466M1		1	GEAR
13	831789M1	T-A 3:0	1	BEARING
14	4205521M1	T-A 3:0	1	FERRULE
15	1825005M4	T-A 0:25	1	COVER
16	3536801M1		999	LOCTITE
17	974743M1	● 3015155X1 (4) M12X30	4	STUD
18	1440200X1		4	NUT
19	359104X1		1	O RING
20	1825484M4	T-A 0:25 ▲ 15/24 T 540/1000 R.P.M.	1	GEAR
20	3532048M3	▲ 15/19 T 540/750 R.P.M.	1	GEAR
21	3539464M1	T 540/750 RPM	1	GEAR
21	3539465M1	T 540/1000 RPM	1	GEAR
22	3015504X1		2	SCREW
23	1440200X1		2	NUT
24	3543743M1		1	GUARD
25	3691665M1		1	MANICOTT
26	339469X1	A 540 R.P.M.	4	RING



TRANSMISSION

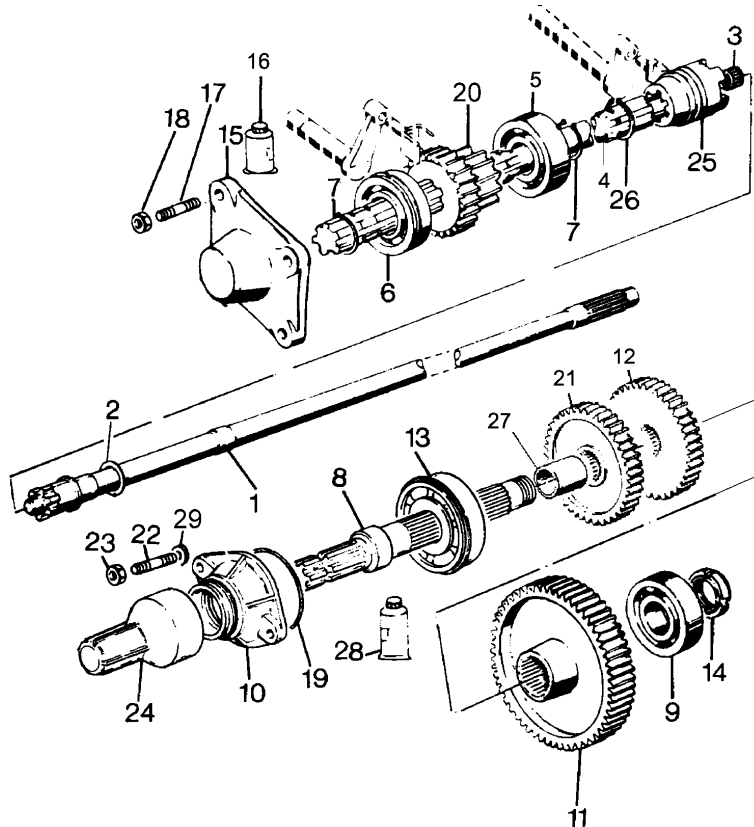
E-04  
20

PTO SHAFT - SELECTOR 540/750/1000 R.P.M.



E0420

Rex Tier 2 fp/cab  
desp. 80 F/GE



27	3545957M1	A	1	SPACER
		540 R.P.M.		
28	3536801M1		999	LOCTITE
29	390735X1		2	WASHER
A	FOR MARKET "N.A.O."			
G	WITH MECHANICAL P.T.O.			
T	EXCLUDED "N.A.O." MARKET			
T-A	Replacement			
▲	NUMBER OF TEETH/SPLINES			

TRANSMISSION

**E-04  
21**

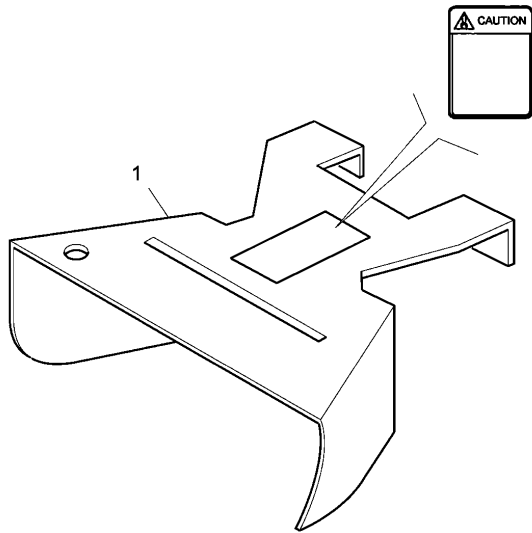
POWER TAKE-OFF SHAFT GUARDS

Rex Tier 2 fp/cab  
desp. 80 F/GE



E0421

1 3545561M93 E 1 GUARD  
E PART NUMBER MUST BE ORDERED WITH ITS SAFETY DECAL.



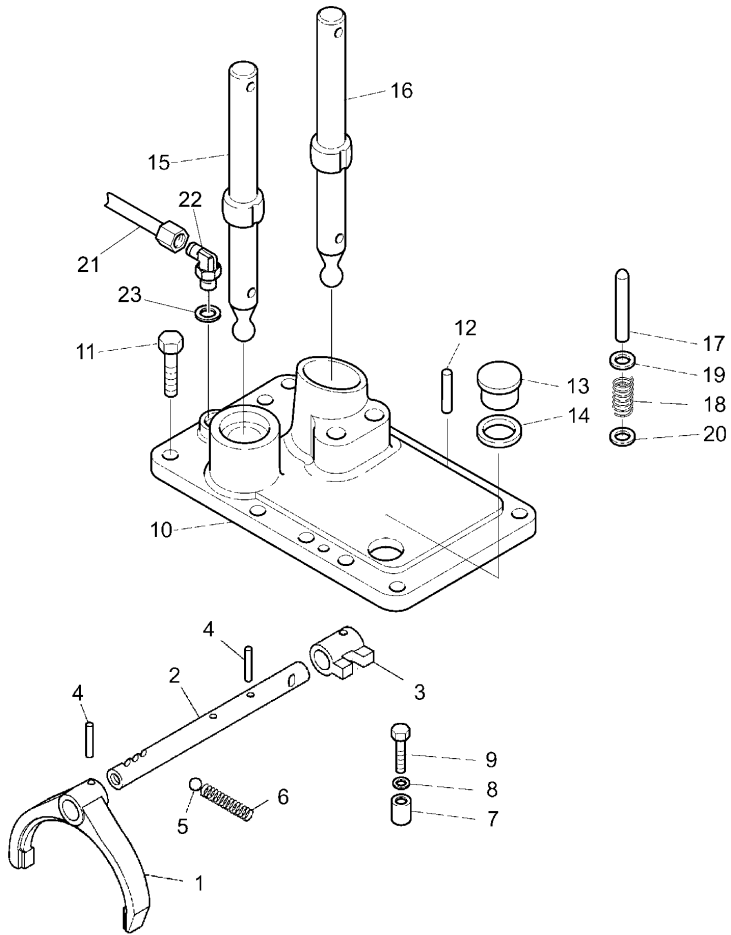
TRANSMISSION

E-04  
22

MECHANICAL MANUAL SHUTTLE - CONTROL

Rex Tier 2 fp/cab  
desp. 80 F/GE

E0422



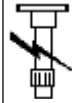
- |    |           |                 |    |        |
|----|-----------|-----------------|----|--------|
| 1  | 3665526M1 |                 | 1  | YOKE   |
| 2  | 3669560M1 | T-A 6:0         | 1  | ROD    |
| 3  | 3545317M1 | T-A 6:0         | 1  | GUIDE  |
| 4  | 1441736X1 | T-A 6:0         | 2  | DOWEL  |
| 5  | 361031X1  | T-A 6:0         | 1  | BALL   |
| 6  | 3305061M1 | T-A 6:0         | 1  | SPRING |
| 7  | 3551330M1 |                 | 1  | SPACER |
| 8  | 1440700X1 |                 | 1  | GASKET |
| 9  | 1441308X1 | M12X1,25X16     | 1  | SCREW  |
| 10 | 3669623M2 | ● 3669623M4 (1) | 1  | COVER  |
| 11 | 3009493X1 | T-A 5:25        | 10 | SCREW  |
| 11 | 3009494X1 | M10X30          | 2  | SCREW  |
| 12 | 1440688X1 | M10X35          | 2  | DOWEL  |
| 13 | 3019437X1 |                 | 1  | PLUG   |
| 14 | 1440704X1 |                 | 1  | WASHER |
| 15 | 3669633M1 | ● 3669633M2 (1) | 1  | LEVER  |
|    |           | B               |    |        |
|    |           | T-A 5:25        |    |        |

TRANSMISSION

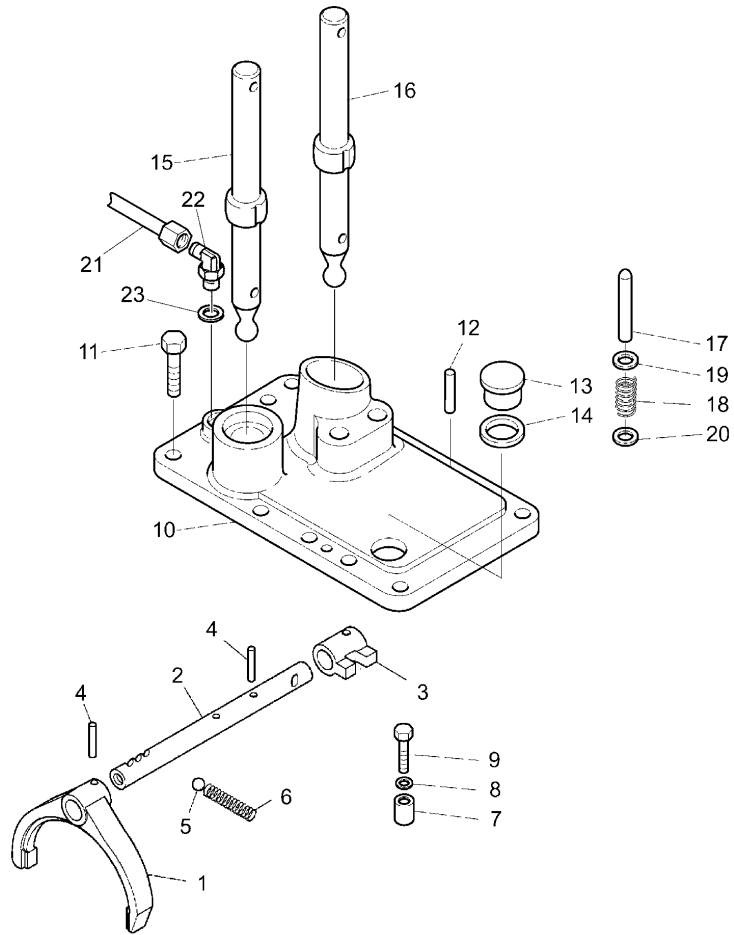
E-04  
22

MECHANICAL MANUAL SHUTTLE - CONTROL

Rex Tier 2 fp/cab  
desp. 80 F/GE



E0422

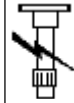


16	3669624M2	●	3669624M3 (1)	1	LEVER
			A		
			T-A 5:25		
17	3671527M1		T-A 5:0	1	PIN
18	3667867M1		T-A 5:0	1	SPRING
19	390972X1		T-A 5:0	1	WASHER
20	3006693X1		T-A 5:0	1	RING
21		◇	P-42 03 21	1	PIPE
22	3553055M91			1	UNION
23	3551467M1			1	WASHER
◇			SEE PAGE - REFERENCE NUMBER		
A			"SPEEDS" CONTROL		
B			REVERSOMATIC CONTROL		
T-A			Replacement		

TRANSMISSION

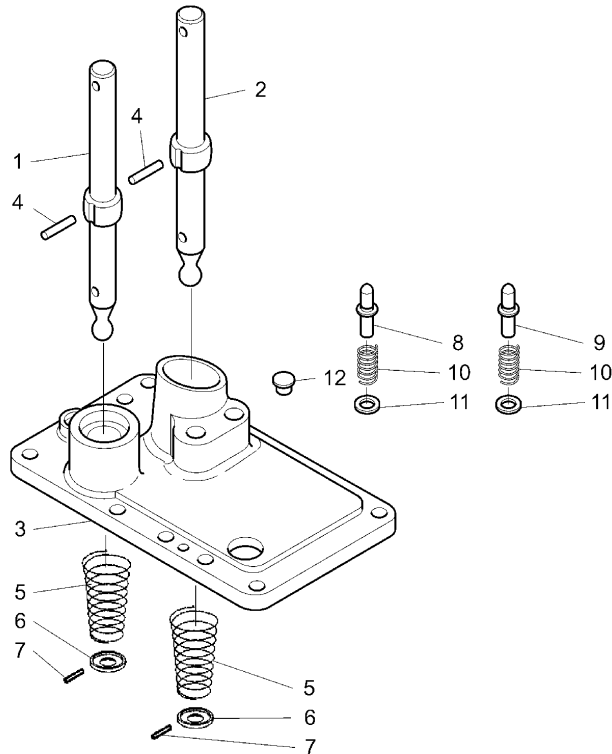
E-04  
23

MECHANICAL MANUAL SHUTTLE - CONTROL



E0423

Rex Tier 2 fp/cab  
desp. 80 F/GE



1	◇	E-04 22 15	1	LEVER
2	◇	E-04 22 16	1	LEVER
3	◇	E-04 22 10	1	COVER
4		973267M2	4	PIN
		T-A 5:25		
5	●	1824690M2	2	SPRING
		1824690M3 (2)		
		T-A 5:25		
6		3656234M1	4	DISC
		T-A 5:25		
7		390244X1	2	DOWEL
		T-A 5:25		
8	≡	3671574M1	2	PIN
		T-A 5:0		
8	≡	3671574M1	1	PIN
		T-A 5:0		
9	≡	3671806M1	1	PIN
		T-A 5:0		
10		3671486M1	2	SPRING
		T-A 5:0		
11	●	1441109X1	2	WASHER
		3004861X1 (2)		
		T-A 5:0		
12		1441772X1	2	PLUG
		T-A 5:0		
◇		SEE PAGE - REFERENCE NUMBER		
≡		4 WHEEL DRIVE		
≡		2 WHEEL DRIVE		
T-A		Replacement		

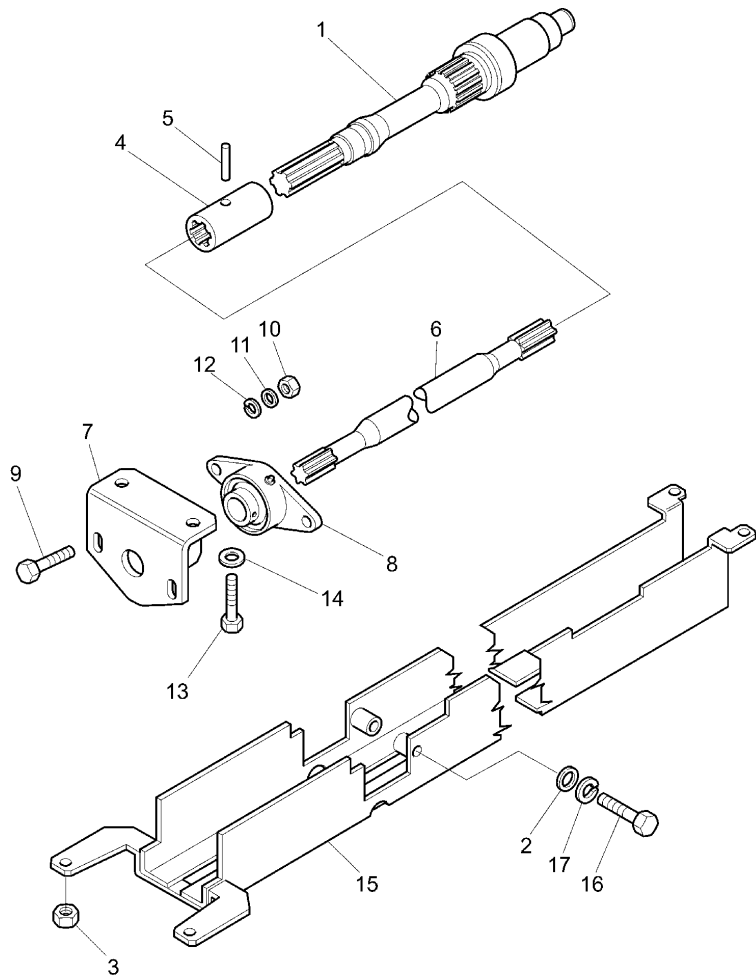
TRANSMISSION

**E-04  
24**

TRANSFER GEAR BOX AND DRIVE SHAFT: 4 WHEEL DRIVE

Rex Tier 2 fp/cab  
desp. 80 F/GE

E0424



1	⊕	E-04 19 01	1	SHAFT
2		390972X1	6	WASHER
3		392370X1	2	NUT
4		3531797M1	2	SLEEVE
		T-A 1:0		
5		339248X1	2	DOWEL
6		3670582M1	1	SHAFT
		T-A 1:0		
7		3547652M91	1	SUPPORT
		T-A 1:25		
8		3547684M91	1	BEARING
		T-A 1:25		
9		339018X1	2	SCREW
		MX10X40		
10		339402X1	2	NUT
11		1440314X1	2	LOCK WASHER
12		390734X1	2	WASHER
13		339299X1	1	SCREW
		M12X30		
14		1440315X1	2	LOCK WASHER
15		3670567M91	1	GUARD
		T-A 0:25		
16	●	339337X1 (6)	6	SCREW
		M8X30		
17		339374X1	6	LOCK WASHER
⊕		SEE PAGE - REFERENCE NUMBER		
⊕		4 WHEEL DRIVE		
T-A		Replacement		

TRANSMISSION

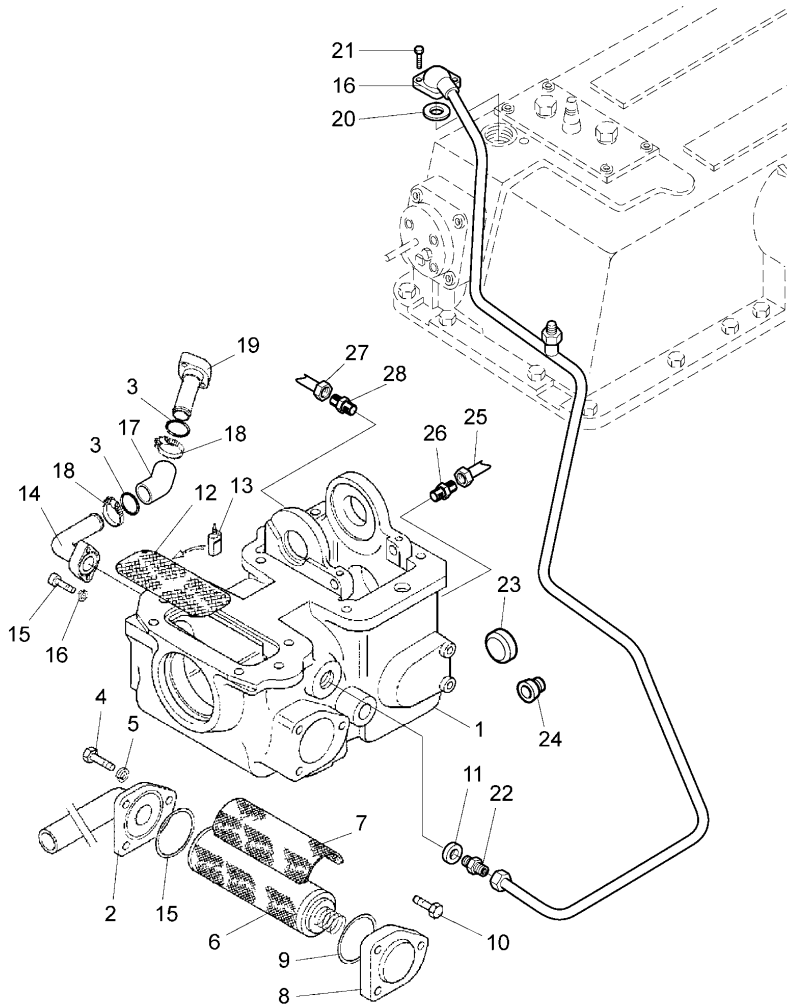
**E-04  
25**

TRANSFER GEAR BOX AND DRIVE SHAFT

Rex Tier 2 fp/cab  
desp. 80 F/GE



E0425



1	◇ E-04 19 23	1 BOX
2	◇ P-42 01 19	1 PIPE
3	1441699X1	2 O RING
4	T-A 0:50	3 SCREW
5	◇ P-42 01 21	3 LOCK WASHER
6	3555711M91	1 CARTRIDGE
7	3656198M1	1 SUPPORT
8	3555710M1	1 FLANGE
9	366544X1	1 O RING
10	T-A 0:50	3 SCREW
11	3005455X1	1 WASHER
12	3647491M1	1 SCREEN
13	3664410M1	999 LOCTITE
14	T-A 2:25	1 PIPE
15	3536801M1	1 RING
16	◇ P-42 01 20	1 PIPE
17	3665226M91	1 SLEEVE
18	T-A 0:50	2 CLAMP

TRANSMISSION

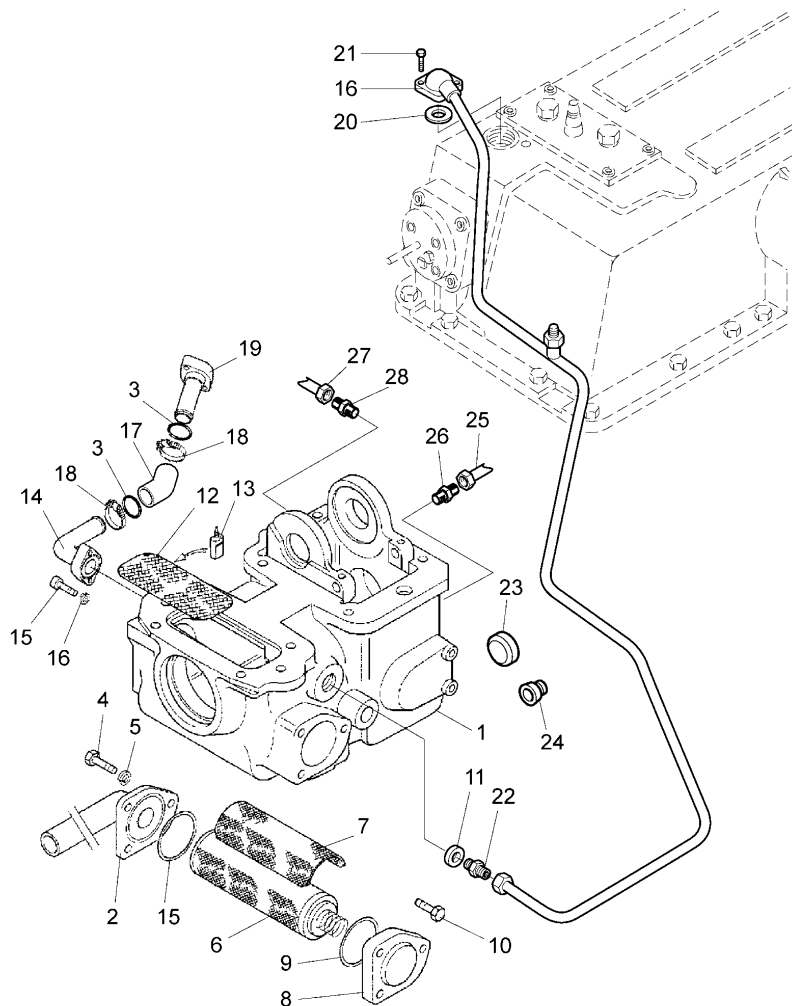
E-04  
25

TRANSFER GEAR BOX AND DRIVE SHAFT

Rex Tier 2 fp/cab  
desp. 80 F/GE



E0425



19	3665225M91		1	PIPE
		T-A 0:50		
20	3019918X1		1	O RING
21	1442692X1	M6X25	2	SCREW
22	3665915M91		1	UNION
23	3667092X1	Ø 26 MM	1	PLUG
24	3006020X1	Ø 20 MM	1	PLUG
25		∅ P-42 05 10	1	PIPE
26		∅ P-42 05 15	1	UNION
27		∅ P-42 05 11	1	PIPE
28		∅ P-42 05 12	1	UNION
∅		SEE PAGE - REFERENCE NUMBER		
		DIAMETER		
T-A		Replacement		



TRANSMISSION

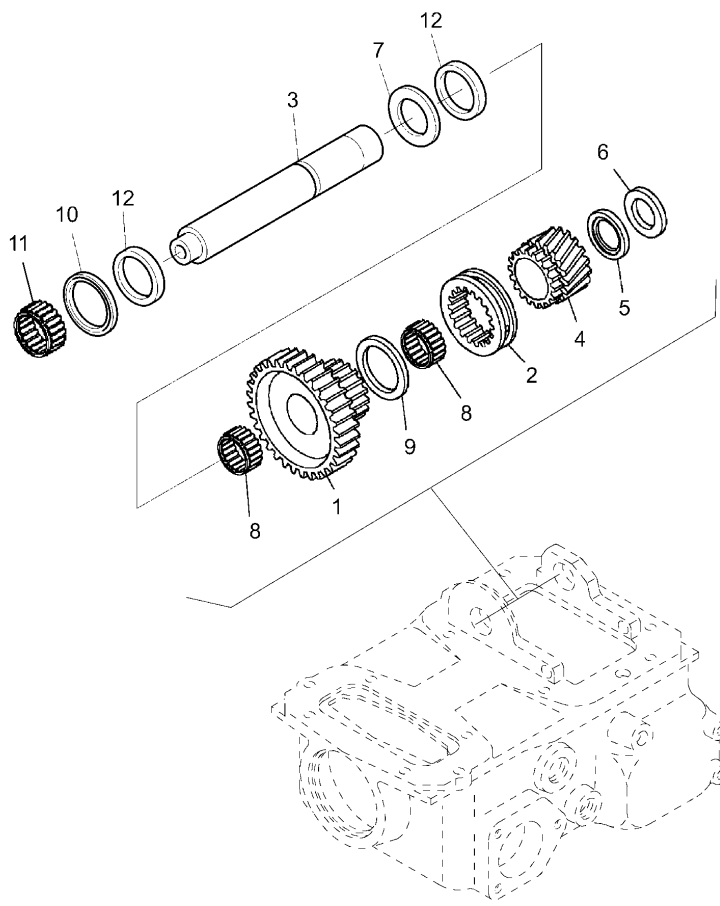
E-04  
26

CREEPER GEARBOX CONTROL

Rex Tier 2 fp/cab  
desp. 80 F/GE



E0426



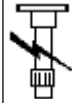
1	3664113M1	A	1	GEAR
		T-A 3:0		
2	3664114M1	A	1	MANICOTT
		T-A 3:0		
3	3672082M1	II	1	PIN
		A		
		T-A 3:0		
3	3672803M1	II	1	PIN
		C		
		T-A 3:0		
4	3664131M1	A	1	GEAR
		T-A 3:0		
5	3552294M91	A	1	CAGE
		T-A 3:0		
6	3662039M1	A	1	WASHER
		T-A 3:0		
7	3672084M1	II	1	BULKHEAD
		T-A 3:0		
8	3015559X1	A	2	CAGE
		T-A 3:0		
9	3658832M3	A	1	WASHER
10	3662002M1	A	1	WASHER
		T-A 3:0		
11	3662001M91	A	1	CAGE
		T-A 3:0		

TRANSMISSION

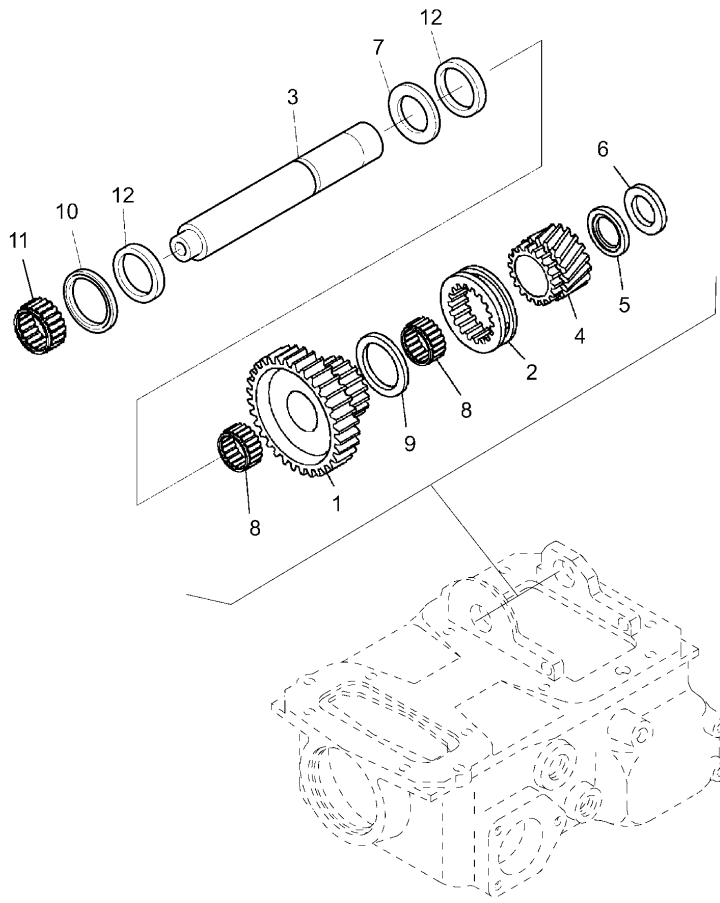
E-04  
26



CREEPER GEARBOX CONTROL

Rex Tier 2 fp/cab  
desp. 80 F/GE



E0426



- 12 1440523X1  2 RING
- T-A 3:0
- A WITH SUPER REDUCER
- C WITHOUT REDUCER
-  2 WHEEL DRIVE
- T-A Replacement

TRANSMISSION

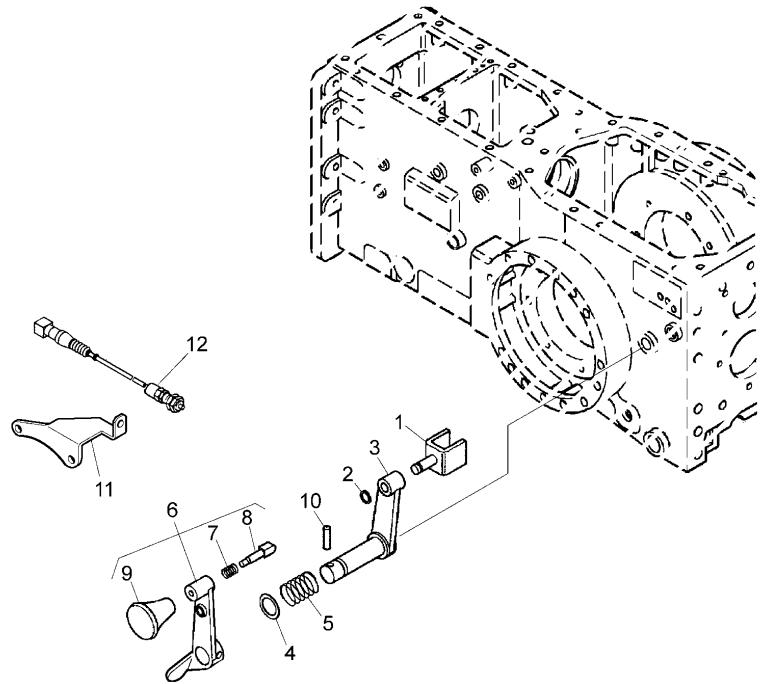
E-04  
27

PTO-CONTROL - SELECTOR 540-750-1000 R.P.M.

Rex Tier 2 fp/cab  
desp. 80 F/GE



E0427



		D	
1	1825491M92	A	1 CLEVIS
		T-A 7:0	
2	339422X1	A	1 RING
3	1825490M1	A	1 LEVER
		T-A 7:0	
4	3019914X1	A	1 O RING
		T-A 0:25	
5	974435M2	A	1 SPRING
		T-A 0:25	
6	3534086M92	A	1 LEVER
		T-A 0:25	
7	1426515M1	!	1 SPRING
		6	
		T-A 0:25	
8	3532657M1	!	1 PIN
		6	
		T-A 0:25	
9	3654296M1	!	1 KNOB
		6	
		T-A 0:25	
10	339071X1		1 DOWEL
11	3678513M1		1 STIRRUP
		T-A 0:50	
12	3667805M1		1 SWITCH,IND
		T-A 0:25	
!	THIS IS A COMPONENT OF AN ASSEMBLY		
A	EXCLUDED "N.A.O." MARKET		
D	WITH MECHANICAL P.T.O.		
T-A	Replacement		

TRANSMISSION

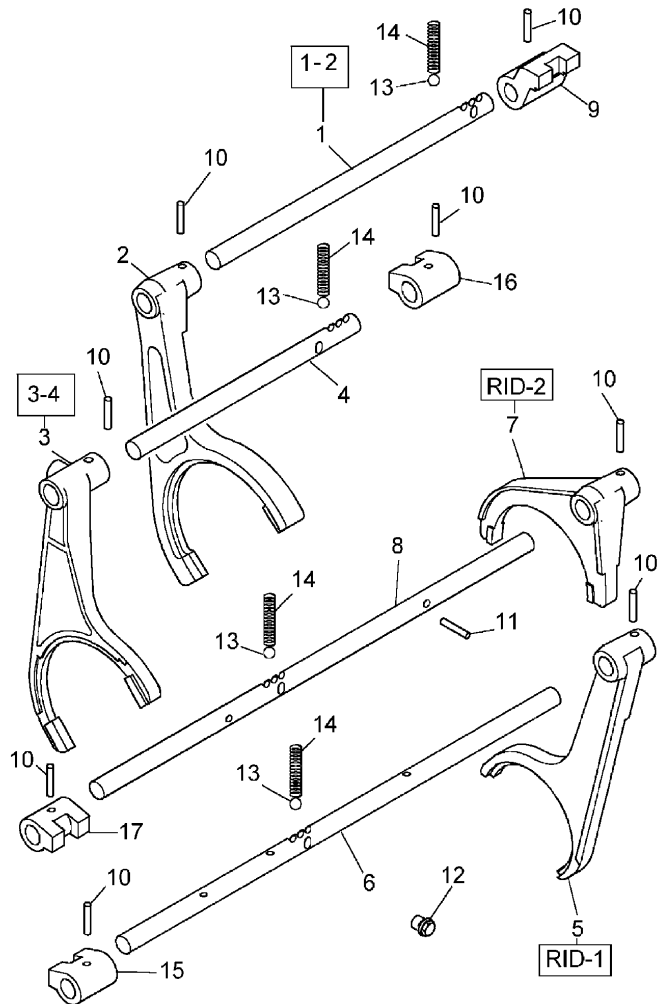
E-04  
28

GEAR BOX: CONTROLS - RODS AND YOKE

Rex Tier 2 fp/cab  
desp. 80 F/GE



E0428



1	3669640M1		1	ROD
2	3530884M3	T-A 16:0	1	YOKE
3	3530709M3	T-A 6:50	1	YOKE
4	3669642M1	T-A 16:0	1	ROD
5	3545393M2	T-A 6:50	1	YOKE
6	3665477M1	T-A 16:0	1	ROD
7	3532742M5	A	1	YOKE
7	3664105M2	T-A 6:50	1	YOKE
8	3664106M1	B	1	ROD
8	3665987M1	T-A 6:50	1	ROD
9	3669641M1	A	1	ROD
		T-A 6:50	1	GUIDE
10	1441736X1	T-A 6:50	8	DOWEL

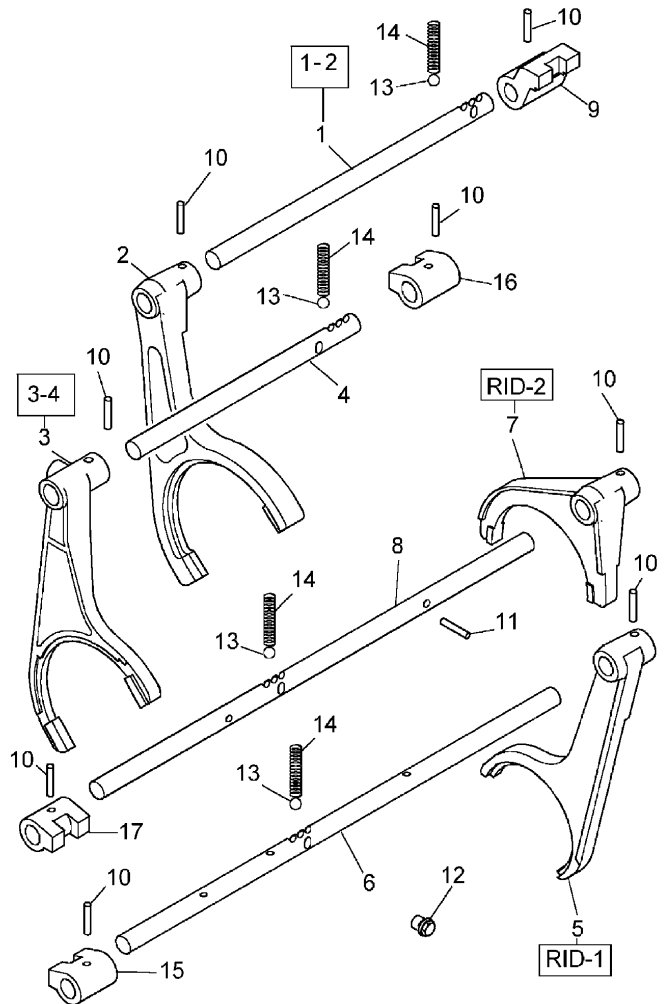
TRANSMISSION

**E-04  
28**

GEAR BOX: CONTROLS - RODS AND YOKES

Rex Tier 2 fp/cab  
desp. 80 F/GE

E0428



- |     |                 |          |   |        |
|-----|-----------------|----------|---|--------|
| 11  | 1824702M1       |          | 2 | PIN    |
| 12  | 1442560X1       |          | 2 | PLUG   |
| 13  | 361031X1        |          | 4 | BALL   |
| 14  | 3305061M1       | T-A 5:0  | 4 | SPRING |
| 15  | 3532938M2       | T-A 5:0  | 1 | GUIDE  |
| 16  | 3669643M1       | T-A 6:50 | 1 | GUIDE  |
| 17  | 3532938M2       | T-A 6:50 | 1 | GUIDE  |
| A   | WITHOUT REDUCER |          |   |        |
| B   | WITH REDUCER    |          |   |        |
| T-A | Replacement     |          |   |        |

TRANSMISSION

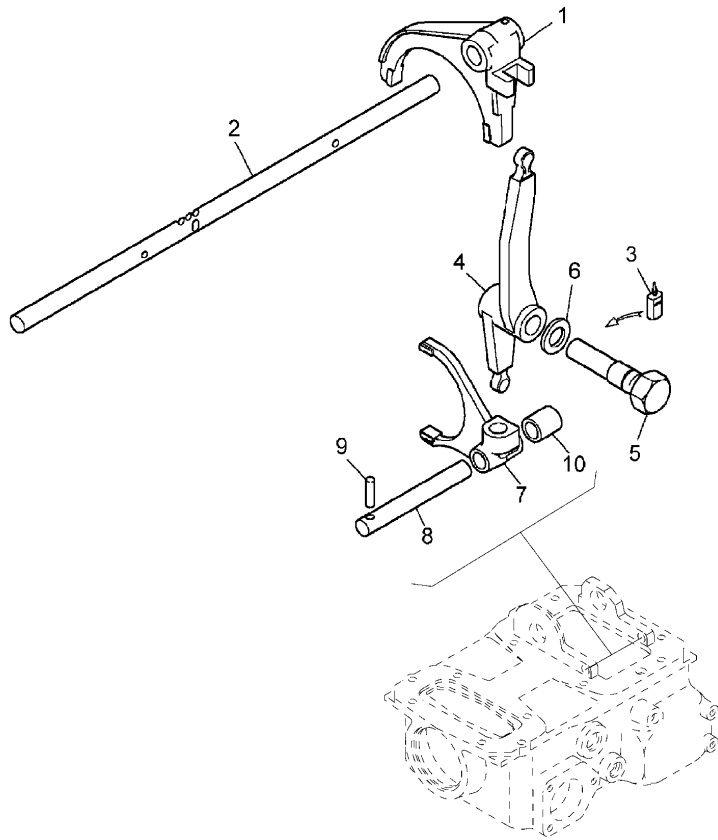
**E-04  
29**

CREEPER GEARBOX CONTROL

Rex Tier 2 fp/cab  
desp. 80 F/GE



E0429



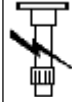
- |     |                             |     |         |
|-----|-----------------------------|-----|---------|
|     | A                           |     |         |
| 1   | ◇ E-04 28 07                | 1   | YOKE    |
| 2   | ◇ E-04 28 08                | 1   | ROD     |
| 3   | 3663814M1 ● 1427801M2 (999) | 999 | LOCTITE |
| 4   | 3664107M1                   | 1   | LEVER   |
|     | T-A 2:50                    |     |         |
| 5   | 3664127M2                   | 1   | PIN     |
|     | T-A 2:50                    |     |         |
| 6   | 1440784X1                   | 1   | WASHER  |
| 7   | 3664115M1                   | 1   | YOKE    |
|     | T-A 3:50                    |     |         |
| 8   | 3664116M1                   | 1   | ROD     |
|     | T-A 3:50                    |     |         |
| 9   | 1442387X1                   | 1   | DOWEL   |
| 10  | 3671804M1                   | 1   | SPACER  |
|     | T-A 3:50                    |     |         |
| ◇   | SEE PAGE - REFERENCE NUMBER |     |         |
| A   | WITH SUPER REDUCER          |     |         |
| T-A | Replacement                 |     |         |

TRANSMISSION

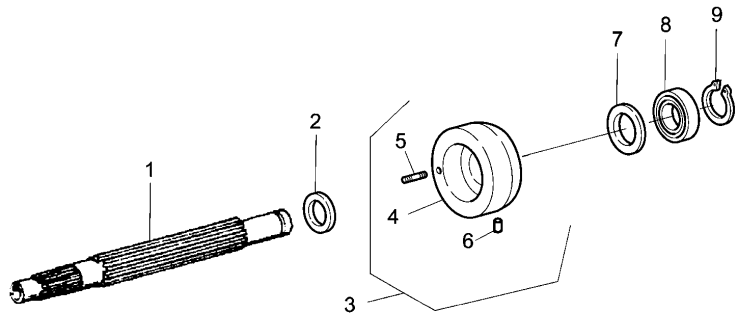
**E-04  
30**

TRANSMISSION - "OUTPUT SHAFT"

Rex Tier 2 fp/cab  
desp. 80 F/GE



E0430



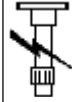
		A		
1	3665618M1		1	SHAFT
2	3666350M1	✕ 0,8 MM T-A 17:0 T-A 6:50	1	SHIM
2	3666351M1	✕ 0,9 MM T-A 6:50	1	SHIM
2	3666352M1	✕ 1,0 MM T-A 6:50	1	SHIM
2	3666353M1	✕ 1,1 MM T-A 6:50	1	SHIM
2	3666354M1	✕ 1,2 MM T-A 6:50	1	SHIM
2	3666355M1	✕ 1,3 MM T-A 6:50	1	SHIM
2	3666356M1	✕ 1,4 MM T-A 6:50	1	SHIM
2	3666357M1	✕ 1,5 MM T-A 6:50	1	SHIM
3	3692932M91		1	HUB
4	3669562M1	! 3 T-A 6:50	1	HUB
5	3009410X1	! 3	1	DOWEL PIN
6	3647339M1	! 3	1	PLUG

TRANSMISSION

**E-04  
30**

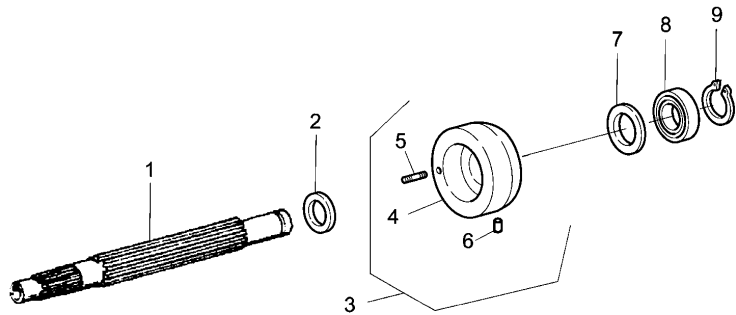
TRANSMISSION - "OUTPUT SHAFT"

Rex Tier 2 fp/cab  
desp. 80 F/GE



E0430

- |     |                                    |                 |   |         |
|-----|------------------------------------|-----------------|---|---------|
| 7   | 3666172M1                          |                 | 1 | SPACER  |
|     |                                    | T-A 6:50        |   |         |
| 8   | 1440511X1                          | ● 4207427M1 (1) | 1 | CUSHION |
|     |                                    | T-A 6:50        |   |         |
| 9   | 366434X1                           |                 | 1 | O RING  |
|     |                                    | T-A 6:50        |   |         |
| !   | THIS IS A COMPONENT OF AN ASSEMBLY |                 |   |         |
| A   | WITH MECHANICAL REVERSING DEVICE   |                 |   |         |
| ⌘   | SHIM                               |                 |   |         |
| T-A | Replacement                        |                 |   |         |





TRANSMISSION

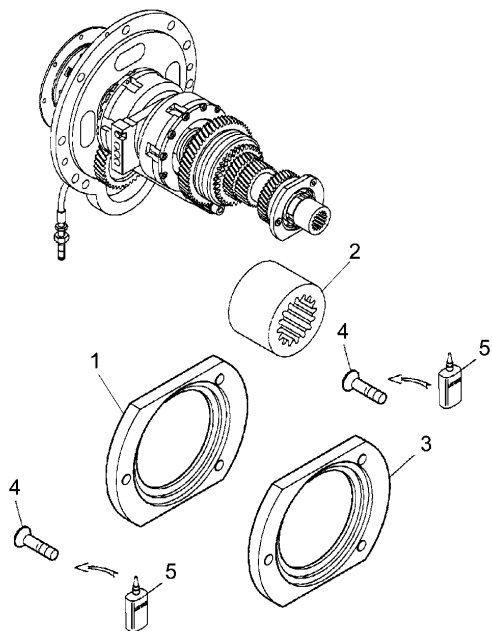
E-04  
31



E0431

Rex Tier 2 fp/cab  
desp. 80 F/GE

TRANSMISSION - MOTOR AXLE GEARBOX



- 1 3660235M1
- 2 3671854M1
- 3 3660236M1
- 4 390811X1
- 5 3303219M1

T-A 7:0  
M8X25

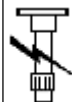
T-A

Replacement

- 1 COVER
- 1 SPACER
- 1 COVER
- 6 SCREW
- 999 LOCTITE

REAR AXLE AND REAR BRAKES

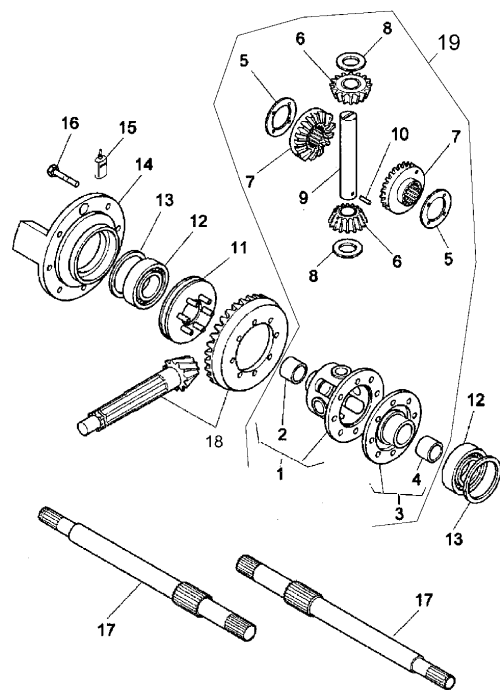
G-40  
01



G4001

Rex Tier 2 fp/cab  
desp. 80 F/GE

REAR AXLE - DIFFERENTIAL



1	3654024M92 !	19	1	BOX
		T-A 12:0		
		T-B 13:0		
2	1423573M1 !	1	1	BUSH
		T-A 13:0		
3	3654025M91 !	19	1	COVER
		T-A 12:50		
4	1423573M1 !	3	1	BUSH
		T-A 12:50		
5	1423576M2 !	19	2	DISC
		T-A 13:0		
6	3307224M1 !	19	2	GEAR
		T-A 13:0		
7	1423574M2 !	19	1	ENGINE CLE
		T-A 13:0		
7	1423575M2 !	19	1	ENGINE CLE
		T-A 13:0		
8	1423579M2 !	19	2	WASHER
		T-A 13:0		
9	3307184M2 !	19	1	PIN
		T-A 13:0		
10	395557X1 !	19	1	DOWEL
		T-A 13:0		

REAR AXLE AND REAR BRAKES

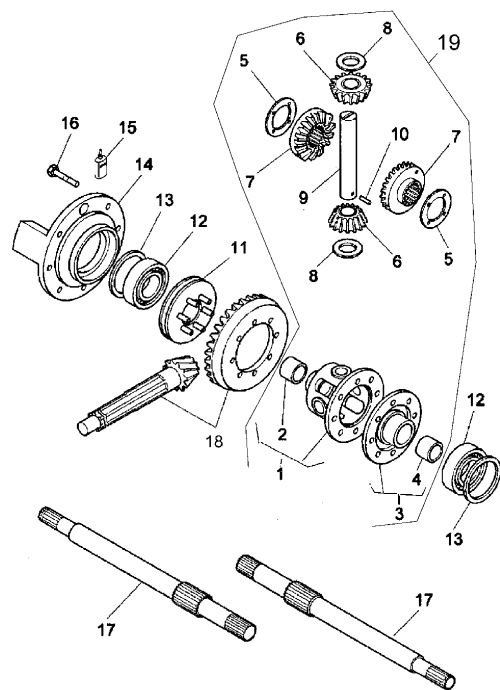
**G-40  
01**



G4001

Rex Tier 2 fp/cab  
desp. 80 F/GE

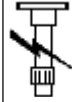
REAR AXLE - DIFFERENTIAL



11	1423582M92		1	COUPLER
		T-A 12:50		
12	339439X1		2	CUSCINET
13	3534126M1	✘	999	SHIM
		T-A 8:0		
		T-A 8:0		
13	3534127M1	✘	999	SHIM
		T-A 8:0		
13	3534128M1	✘	999	SHIM
		T-A 8:0		
13	3534129M1	✘	999	SHIM
		T-A 8:0		
13	3534130M1	✘	999	SHIM
		T-A 8:0		
13	3534131M1	✘	999	SHIM
		T-A 8:0		
13	3534132M1	✘	999	SHIM
		T-A 8:0		
13	3534133M1	✘	999	SHIM
		T-A 8:0		
13	3534134M1	✘	999	SHIM
		T-A 8:0		
13	3662868M1	✘	1	SHIM
		T-A 8:0		

REAR AXLE AND REAR BRAKES

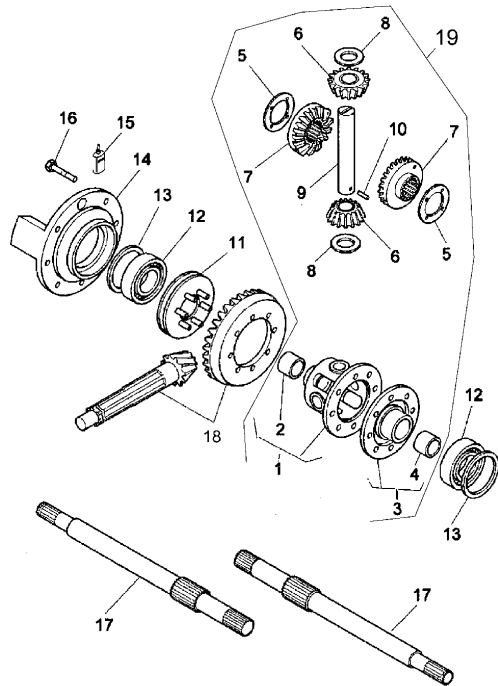
**G-40  
01**



G4001

Rex Tier 2 fp/cab  
desp. 80 F/GE

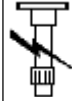
REAR AXLE - DIFFERENTIAL



- |     |                                    |   |               |     |           |
|-----|------------------------------------|---|---------------|-----|-----------|
| 13  | 3662869M1                          | ⚡ | 0,8MM.        | 1   | SHIM      |
|     |                                    |   | T-A 8:0       |     |           |
| 13  | 3680416M1                          | ⚡ | 0,15MM        | 1   | SHIM      |
| 14  | 3304647M4                          | ● | 3304647M5 (2) | 2   | SUPPORT   |
|     |                                    |   | T-A 8:0       |     |           |
| 15  | 3303219M1                          |   |               | 999 | LOCTITE   |
| 16  | 392892X1                           |   | M10X35        | 14  | SCREW     |
| 17  |                                    | ◇ | G-40 03 12    | 2   | HALFSHAFT |
| 18  |                                    | ◇ | E-04 07 31    | 1   | KIT       |
| 19  | 1423570M96                         |   |               | 1   | KIT       |
| !   | THIS IS A COMPONENT OF AN ASSEMBLY |   |               |     |           |
| ◇   | SEE PAGE - REFERENCE NUMBER        |   |               |     |           |
| ⚡   | SHIM                               |   |               |     |           |
| ◀   | LEFT HAND                          |   |               |     |           |
| ▶   | RIGHT HAND                         |   |               |     |           |
| T-A | Replacement                        |   |               |     |           |
| T-B | Overhaul                           |   |               |     |           |

REAR AXLE AND REAR BRAKES

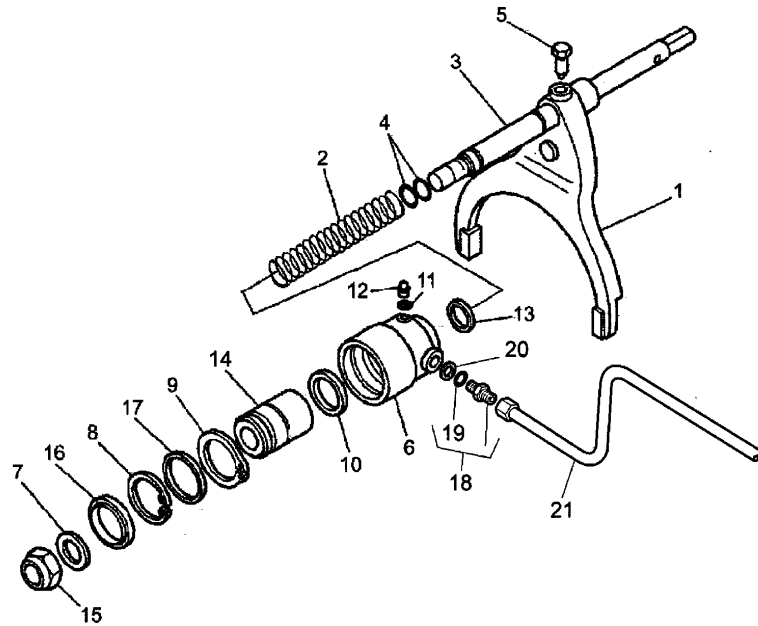
**G-40  
02**



G4002

Rex Tier 2 fp/cab  
desp. 80 F/GE

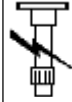
DIFFERENTIAL LOCK CONTROLS - HYDRAULIC



1	3303305M3		1	YOKE
		T-A 7:0		
2	3546589M1		1	SPRING
		T-A 7:0		
3	3546588M2		1	ROD
		T-A 7:0		
4	3019914X1		2	O RING
		T-A 7:0		
5	1425277M1		1	SCREW
6	3533995M2		1	CYLINDER
		T-A 1:50		
7	1440277X1		1	WASHER
8	3015009X1		1	RING
		T-A 1:50		
9	390948X1	● 3015132X1 (1)	1	RING
		T-A 1:50		
10	3015008X1		1	RING
		T-A 1:50		
11	1442416X1		1	GASKET
12	392890X1		1	SCREW
13	392887X1		1	RING
14	3534001M4		1	PISTON
		T-A 1:50		
15	1442739X1		1	NUT

REAR AXLE AND REAR BRAKES

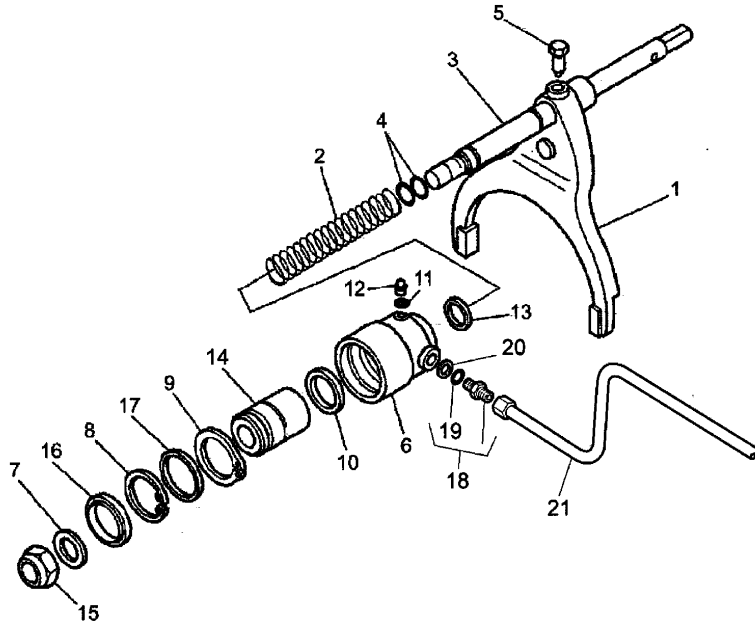
**G-40  
02**



G4002

Rex Tier 2 fp/cab  
desp. 80 F/GE

DIFFERENTIAL LOCK CONTROLS - HYDRAULIC



- |     |                                    |            |   |        |
|-----|------------------------------------|------------|---|--------|
| 16  | 3015007X1                          |            | 1 | RING   |
|     |                                    | T-A 1:50   |   |        |
| 17  | 3534002M1                          |            | 1 | SPACER |
|     |                                    | T-A 1:50   |   |        |
| 18  | 3019375X91                         |            | 1 | UNION  |
| 19  | !                                  | 18         | 1 | RING   |
|     | ▣                                  | REF. N.18  |   |        |
| 20  | 3548877M1                          |            | 1 | WASHER |
| 21  | ⊕                                  | P-42 03 12 | 1 | PIPE   |
| !   | THIS IS A COMPONENT OF AN ASSEMBLY |            |   |        |
| ⊕   | SEE PAGE - REFERENCE NUMBER        |            |   |        |
| ▣   | NOT SERVICED, ORDER                |            |   |        |
| T-A | Replacement                        |            |   |        |

REAR AXLE AND REAR BRAKES

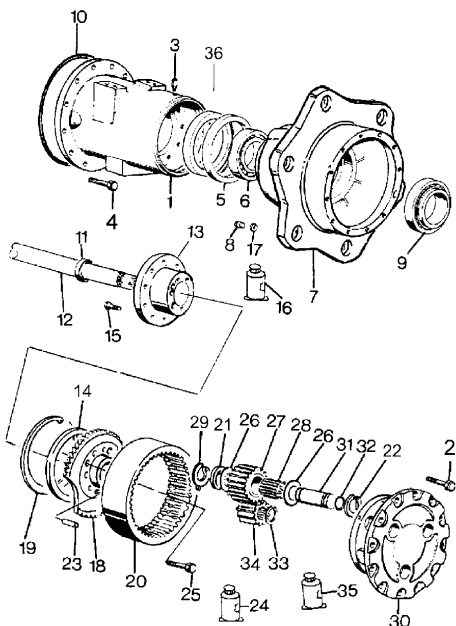
**G-40  
03**



G4003

Rex Tier 2 fp/cab  
desp. 80 F/GE

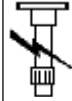
REAR AXLE - HOUSING AND WHEEL HUB



1	3533020M2	◀	T-A 3:0 T-B 4:0	1	SUPPORT
1	3533021M3	▶	T-A 3:0 T-B 4:0	1	SUPPORT
2	1440717X1	●	3428397M1 (24) M12X40 (X) 0.20.30.50	24	SCREW
3	392725X1			6	PLUG
3	393850X1			6	PLUG
4	3000253X1		M14X40	12	SCREW
5	3019960X1			2	RING
6	3426851M2		T-A 3:50	2	BEARING
7	3547703M4		T-A 3:50	2	HUB
8	3532632M91			2	PLUG
9	3426851M2			2	BEARING
10	3304650M1		T-A 2:50	2	RING
11	1441815X1		T-A 3:0	4	RING
			T-A 4:0		
12	3533027M1		T-A 4:0	2	HALFSHAFT

REAR AXLE AND REAR BRAKES

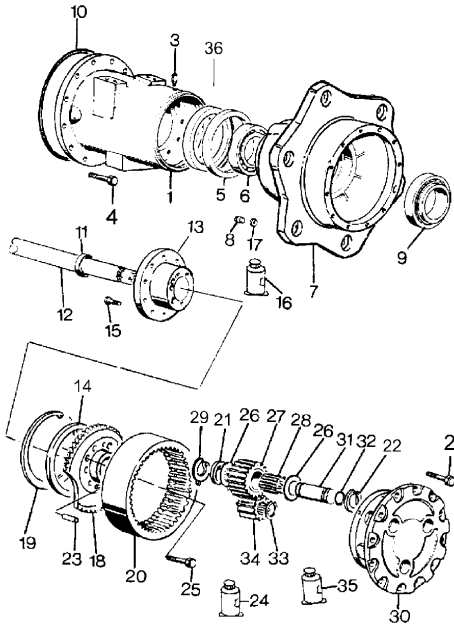
**G-40  
03**



G4003

Rex Tier 2 fp/cab  
desp. 80 F/GE

REAR AXLE - HOUSING AND WHEEL HUB

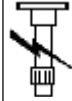


13	3533032M92		2	SPINDLE
14	3426300M1	✕		T-A 4:0 0,15MM. 999 SHIM
14	3426301M1	✕		T-A 1:50 0,3MM. 999 SHIM
14	3426302M1	✕		T-A 1:50 0,5MM. 999 SHIM
14	3426304M1	✕		T-A 1:50 1,0MM 999 SHIM
14	3426647M1	✕		T-A 1:50 0,1MM 999 SHIM
15	391934X1		24	SCREW M12X35
16	3545546M1		999	LOCTITE
17	1440702X1		2	WASHER
18	3427400M2		2	FLANGE
19	3426868M1		2	RING T-A 1:50
20	3428303M1		2	CROWNWHEEL T-A 1:50
21	3426771M1	●	2	WASHER 3557987M2 (2) T-A 0:75



REAR AXLE AND REAR BRAKES

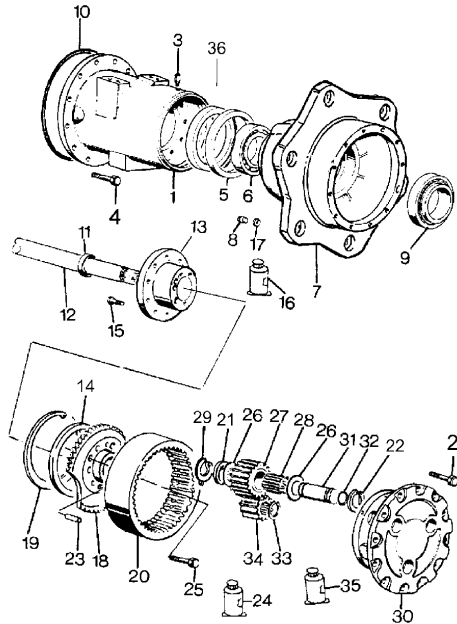
**G-40  
03**



G4003

Rex Tier 2 fp/cab  
desp. 80 F/GE

REAR AXLE - HOUSING AND WHEEL HUB



22	392152X1		6 RING
		T-A 0:75	
23	3427398M2		4 PIN
		T-A 1:0	
24	3545546M1		999 LOCTITE
25	3428397M1		20 SCREW
26	3427431M1	● 3659663M1 (12)	12 WASHER
		T-A 0:75	
27	3426756M1		6 SUN GEAR
		T-A 0:75	
28	3676253M1		150 ROLLER
29	3426957M1	● 3659664M1 (6)	6 RING
		T-A 0:75	
30	3545529M1		2 COVER
		T-A 0:50	
31	3426961M1		6 PIN
		T-A 0:75	
32	364777X1		6 RING
		T-A 0:75	
33	339469X1		2 RING
		T-A 0:75	
34	3426876M1		2 PINION
		T-A 0:75	

REAR AXLE AND REAR BRAKES

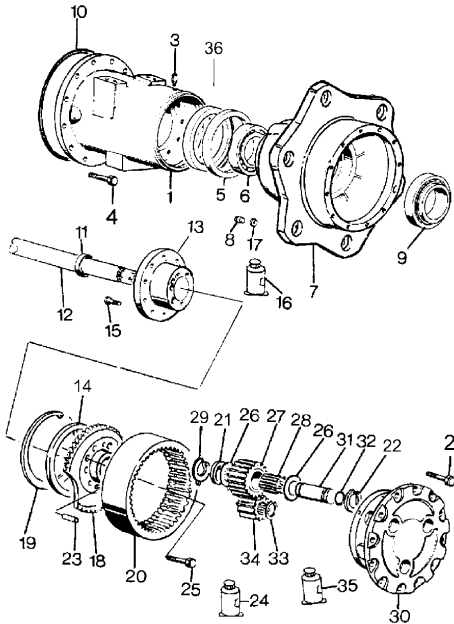
**G-40  
03**

REAR AXLE - HOUSING AND WHEEL HUB

Rex Tier 2 fp/cab  
desp. 80 F/GE



G4003



- 35 3308788M1
- 36 3019963X1

- 999 LOCTITE
- 1 RING

T-A 3:50



SHIM



LEFT HAND



RIGHT HAND

T-A

Replacement

T-B

Overhaul

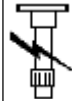
(X)

QTY PER TRACTORS SOLD (AA.BBB.CCC.DDD) (AA) FOR  
1,(BBB) 2-10 (CCC) 11-25 (DDD) 26-50

REAR AXLE AND REAR BRAKES

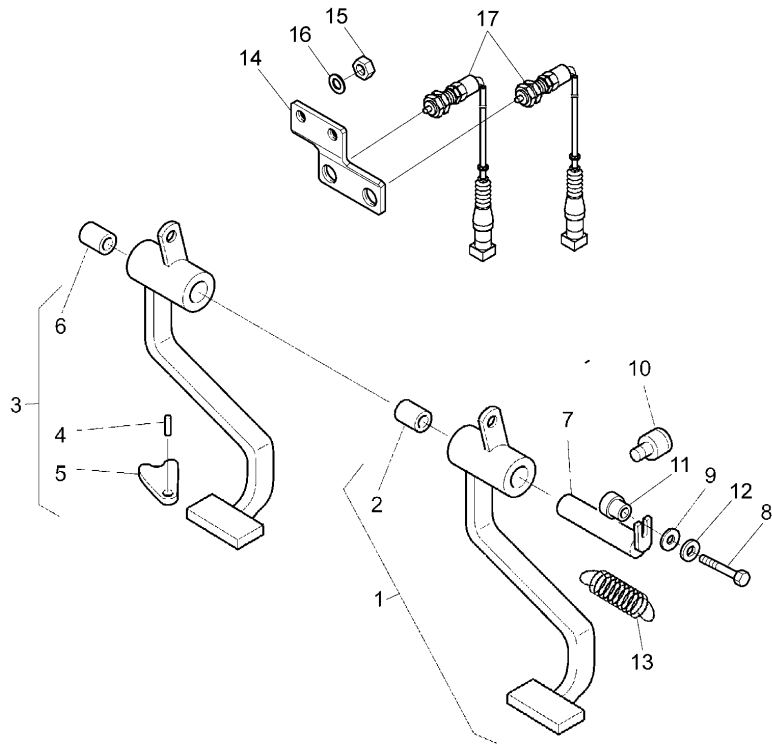
**G-40  
04**

BRAKE AND CONTROLS - PEDALS



G4004

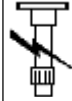
Rex Tier 2 fp/cab  
desp. 80 F/GE



- |     |                                    |    |               |   |            |
|-----|------------------------------------|----|---------------|---|------------|
| 1   | 3667773M95                         | ▶  |               | 1 | PEDAL      |
| 2   | 4203321M2                          | !  | T-A 1:0       | 2 | BUSH       |
| 3   | 3667774M95                         | ◀  | T-A 1:0       | 1 | PEDAL      |
| 4   | 3019306X1                          | ●  | T-A 1:0       | 1 | DOWEL      |
| 5   | 1425818M1                          | !  | 1441741X1 (1) | 1 | SPIDER     |
| 6   | 4203321M2                          | !  | 3             | 2 | BUSH       |
| 7   | 3667053M91                         |    | T-A 0:25      | 1 | PIN        |
| 8   | 339123X1                           |    | T-A 1:0       | 1 | SCREW      |
| 9   | 390972X1                           |    | M8X20         | 1 | WASHER     |
| 10  | 3668697M91                         |    | T-A 1:0       | 2 | PAD        |
| 11  | 3665878M1                          |    | T-A 0:25      | 1 | INSERT     |
| 12  | 339374X1                           |    |               | 1 | LOCK & SEA |
| 13  | 3558078M1                          |    |               | 2 | SPRING     |
| 14  | 3696784M1                          | ≡≡ |               | 1 | STIRRUP    |
| 15  | 392483X1                           | ≡≡ |               | 2 | NUT        |
| 15  | 392483X1                           | ≡≡ |               | 4 | NUT        |
| 16  | 1440314X1                          | ≡≡ |               | 2 | LOCK WASHE |
| 17  |                                    | ⊕  | D-00 04 04    | 2 | SWITCH     |
| !   | THIS IS A COMPONENT OF AN ASSEMBLY |    |               |   |            |
| ⊕   | SEE PAGE - REFERENCE NUMBER        |    |               |   |            |
| ≡≡  | 4 WHEEL DRIVE                      |    |               |   |            |
| ≡≡  | 2 WHEEL DRIVE                      |    |               |   |            |
| ◀   | LEFT HAND                          |    |               |   |            |
| ▶   | RIGHT HAND                         |    |               |   |            |
| T-A | Replacement                        |    |               |   |            |

REAR AXLE AND REAR BRAKES

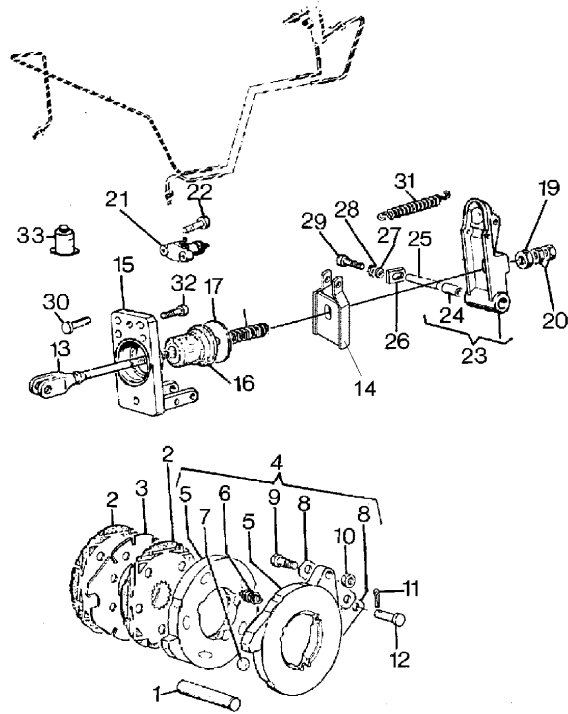
**G-40  
05**



G4005

Rex Tier 2 fp/cab  
desp. 80 F/GE

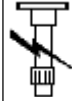
BRAKE AND CONTROLS - PEDALS - DEVICE



- |   |            |  |   |         |
|---|------------|--|---|---------|
| 1 | 3304656M1  |  | 2 | PIN     |
| 2 | 3550896M1  | ! T-A 3:50                                       | 8 | DISC    |
| 2 | 3671530M1  | ! 3671530M1<br>"HOERBIGER"<br>T-A 3:50           | 8 | DISC    |
| 3 | 3308296M2  | ! 3671530M2 (8)<br>3550896M1<br>"WELLMAN"        | 4 | DISC    |
| 4 | 3308792M91 | ! T-A 3:50<br>3687893M91<br>"SIRMAC"<br>T-A 3:50 | 2 | KIT     |
| 4 | 3687893M91 | ! 3308792M91<br>"MERITOR"                        | 2 | BRAKE   |
| 5 |            | ! 4<br>REF. N. 4                                 | 4 | PLATE   |
| 6 | 3310765M1  | ! 4<br>"SIRMAC"<br>T-A 3:50                      | 3 | SPRING  |
| 7 | 3310764M1  | ! 4<br>"SIRMAC"<br>T-A 3:50                      | 5 | BALL    |
| 8 | 3310768M1  | ! 1897397M1 (2)<br>4<br>"SIRMAC"<br>T-A 3:50     | 2 | TIE ROD |

REAR AXLE AND REAR BRAKES

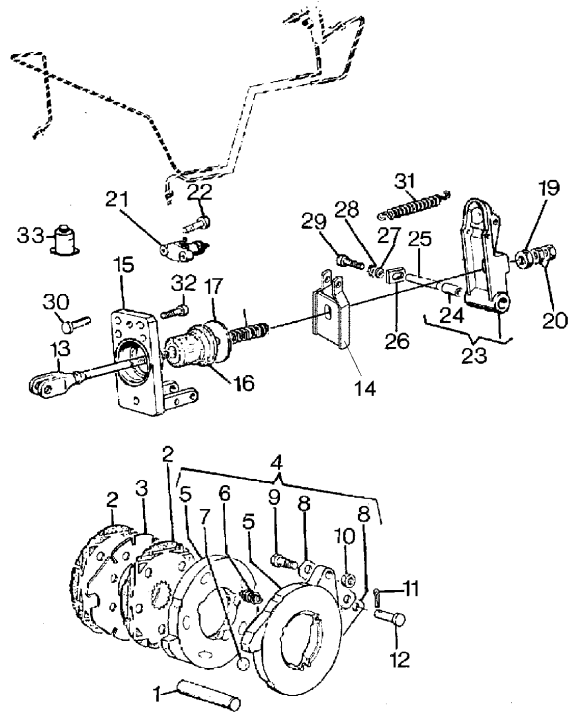
G-40  
05



G4005

Rex Tier 2 fp/cab  
desp. 80 F/GE

BRAKE AND CONTROLS - PEDALS - DEVICE



9	3310767M1	●	3679021M1 (2)	2	SCREW
		!	4		"SIRMAC"
10	3310766M1	!	4	2	NUT
					"SIRMAC"
11	339746X1	II		4	LINCH PIN
11	339746X1	II		2	LINCH PIN
12	981970M2			2	PIN
			T-A 3:50		
13	3304655M4			2	TIE ROD
			T-A 1:0		
14	3651040M92	II		2	STIRRUP
15	3531277M93		A	2	SUPPORT
16	1860959M1			2	GUARD
			T-A 1:25		
17	3304657M1			2	DISC
			T-A 1:0		
18	3302489M1			2	SPRING
			T-A 0:75		
19	3304807M1	II		4	REGISTER
19	3304807M1	II		2	REGISTER
20	1441158X1	II		4	NUT
20	1441158X1	II		2	NUT
21		⊙	G-40 10 01	2	CYLINDER
22		⊙	G-40 10 06	4	SCREW
23	3304805M92			2	LEVER
			T-A 0:75		
24	1427369M1	!	23	4	BUSH

REAR AXLE AND REAR BRAKES

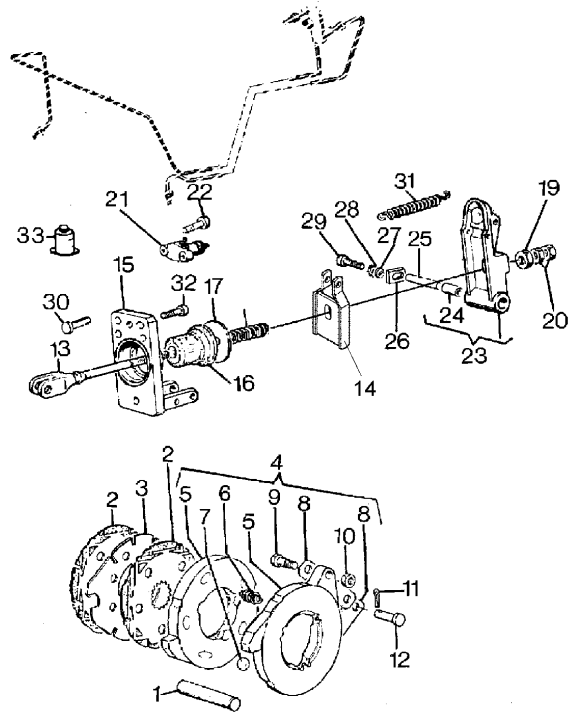
**G-40  
05**

BRAKE AND CONTROLS - PEDALS - DEVICE



G4005

Rex Tier 2 fp/cab  
desp. 80 F/GE

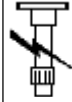


25	3300073M1		2	PIN
26	3300126M1	C	2	PLATE
27	390972X1		2	WASHER
28	339585X1		2	WASHER
29	390379X1	M8X18	2	SCREW
30	1427357M1		2	PIN
31	1427356M1		2	SPRING
		T-A 0:75		
32	390580X1	M10X25	4	SCREW
33	3308788M1		999	LOCTITE

- ! THIS IS A COMPONENT OF AN ASSEMBLY
- ◇ SEE PAGE - REFERENCE NUMBER
- ⌵ ALTERNATIVE
- ⬇ NOT SERVICED, ORDER
- A WITH MECHANICAL REVERSING DEVICE
- ⌵ 4 WHEEL DRIVE
- C FOR ITALY ONLY
- ⌵ 2 WHEEL DRIVE
- T-A Replacement

REAR AXLE AND REAR BRAKES

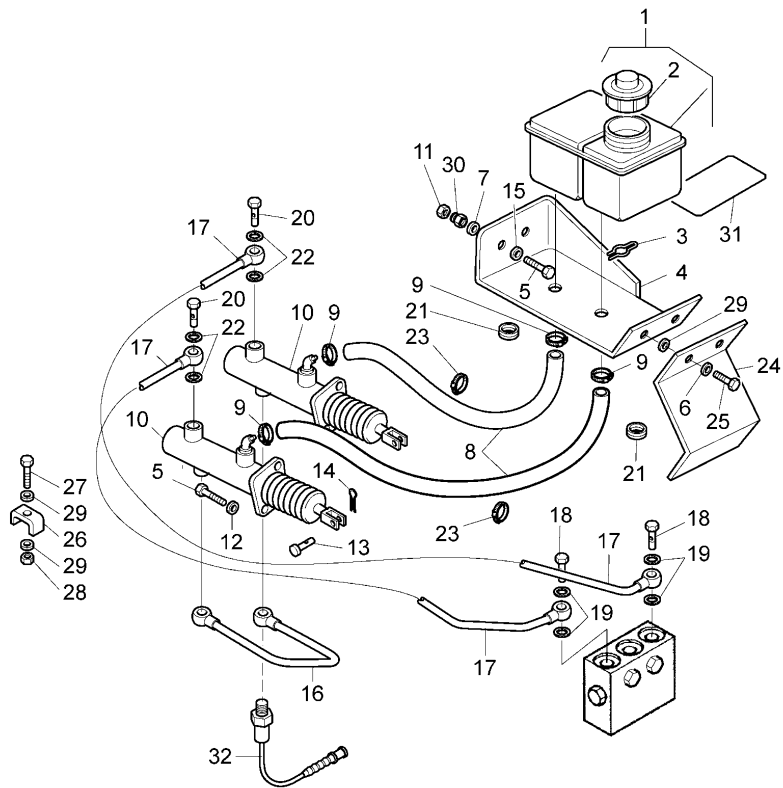
**G-40  
06**



G4006

Rex Tier 2 fp/cab  
desp. 80 F/GE

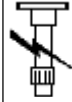
BRAKES - PEDALS AND LINKAGE - "HYDRAULIQUE" CONTROL



- |    |            |                  |   |            |
|----|------------|------------------|---|------------|
| 1  | 3671695M91 |                  | 1 | TANK       |
| 2  | 3671693M91 | ! 1              | 1 | PLUG       |
|    |            | T-A 0:50         |   |            |
|    |            | T-A 0:25         |   |            |
| 3  | 3302044M2  |                  | 2 | SPRING     |
| 4  | 3670774M91 | ● 3670774M92 (1) | 1 | SUPPORT    |
|    |            | T-A 0:75         |   |            |
| 5  | 339123X1   | M8X20            | 6 | SCREW      |
| 6  | 339375X1   |                  | 2 | LOCK WASHE |
| 7  | 390972X1   |                  | 4 | LOCK & SEA |
| 8  | 3671232M2  | L=210mm          | 1 | PIPE       |
|    |            | T-A 0:75         |   |            |
| 8  | 3671233M2  | L=270mm          | 1 | PIPE       |
|    |            | T-A 0:75         |   |            |
| 9  | 3546530M1  |                  | 4 | CLAMP      |
| 10 | 3671522M91 |                  | 2 | PUMP       |
|    |            | T-A 1:50         |   |            |
| 11 | 339169X1   | ● 394367X1 (2)   | 2 | NUT        |
| 12 | 339374X1   |                  | 4 | LOCK WASHE |
| 13 | 975528M1   |                  | 2 | PIN        |
| 14 | 390446X1   |                  | 2 | LINCH PIN  |
| 15 | 339374X1   |                  | 4 | WASHER     |
| 16 | 3670847M91 |                  | 1 | PIPE       |
|    |            | T-A 0:75         |   |            |
| 17 | 3671553M91 | ▶ T-A 1:0        | 1 | PIPE       |

REAR AXLE AND REAR BRAKES

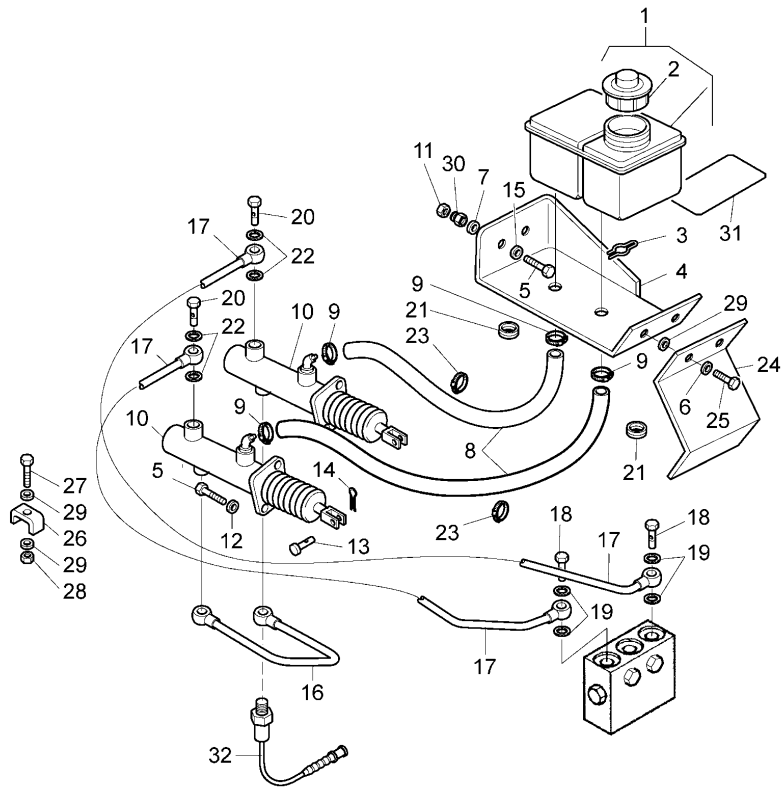
**G-40  
06**



G4006

Rex Tier 2 fp/cab  
desp. 80 F/GE

BRAKES - PEDALS AND LINKAGE - "HYDRAULIQUE" CONTROL

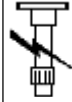


- |     |                                    |   |   |               |
|-----|------------------------------------|---|---|---------------|
| 17  | 3671554M91                         | ◀ | 1 | PIPE          |
|     |                                    |   |   | T-A 1:0       |
| 18  | 3547249M1                          |   | 2 | UNION         |
| 19  | 3007188X1                          |   | 4 | GASKET        |
| 20  | 394209X1                           |   | 2 | UNION         |
| 21  | 3671238M1                          |   | 2 | CHOCK         |
| 22  | 1444744X1                          |   | 4 | RING          |
| 23  | 3557890M1                          |   | 2 | CLAMP         |
|     |                                    |   |   | T-A 0:25      |
| 24  | 3670776M1                          |   | 1 | GUARD         |
|     |                                    |   |   | T-A 0:25      |
| 25  | 339560X1                           |   | 2 | SCREW         |
|     |                                    |   |   | M6X16         |
| 26  | 3551391M1                          |   | 1 | STIRRUP       |
|     |                                    |   |   | T-A 0:25      |
| 27  | 339096X1                           |   | 1 | SCREW         |
|     |                                    |   |   | M6X35         |
| 28  | 339030X1                           | ● | 1 | NUT           |
|     |                                    |   |   | 1441500X1 (1) |
| 29  | 390971X1                           |   | 4 | WASHER        |
| 30  | 3684595M1                          |   | 2 | RIVET         |
| 31  | 3689960M1                          |   | 1 | GUARD         |
| 32  | 3671821M91                         | A | 1 | SENSOR        |
| !   | THIS IS A COMPONENT OF AN ASSEMBLY |   |   |               |
| A   | OIL PRESSURE                       |   |   |               |
| ◀   | LEFT HAND                          |   |   |               |
| ▶   | RIGHT HAND                         |   |   |               |
| T-A | Replacement                        |   |   |               |



REAR AXLE AND REAR BRAKES

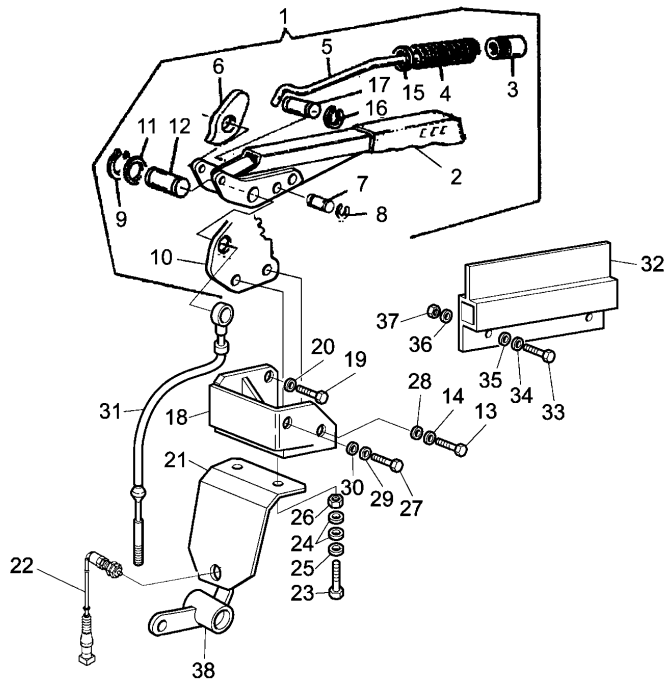
**G-40  
07**



G4007

Rex Tier 2 fp/cab  
desp. 80 F/GE

BRAKES - "HANDBRAKE"

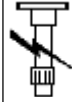


1	3674013M91	●	3674013M92 (1)	1	LEVER
			T-A 0:75		
2	3532909M93	!	1	1	LEVER
			T-A 1:0		
3	1424868M1	!	1	1	BUTTON
			T-A 1:0		
4	1424859M1	!	1	1	SPRING
5	3533582M1	!	1	1	STRUT
6	3536962M1	!	1	1	SPIKE
7	3536964M1	!	1	1	PIN
8	1693983M1	●	3000261X1 (2)	2	RING
		!	1		
9	1693979M1	●	339356X1 (2)	2	RING
		!	1		
10	3532910M1	!	1	1	SECTOR
11	1693980M1	!	1	2	WASHER
12	3536965M1	!	1	1	PIN
13	3009494X1		M10X35	1	SCREW
14	390734X1			1	WASHER
15	3547541M1	!	1	1	BUSH
16	1693977M1	●	1440988X1 (2)	2	RING
		!	1		
17	3536963M1	!	1	1	PIN
18	3673941M92			1	SUPPORT
19	339401X1		M10X25	2	SCREW
20	1440314X1			2	LOCK & SEA
21	3673931M1			1	STIRRUP
22	3667775M1		A	1	SWITCH,IND
23	339804X1		M6X25	2	SCREW
24	390971X1			4	WASHER

REAR AXLE AND REAR BRAKES

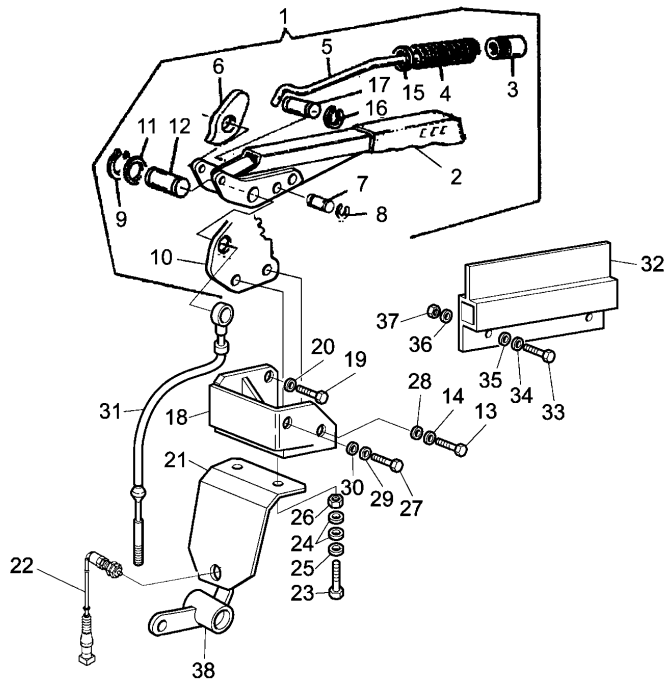
**G-40  
07**

BRAKES - "HANDBRAKE"



G4007

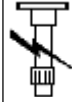
Rex Tier 2 fp/cab  
desp. 80 F/GE



- |     |                                    |       |   |            |
|-----|------------------------------------|-------|---|------------|
| 25  | 339375X1                           |       | 2 | LOCK WASHE |
| 26  | 339030X1                           | ●     | 2 | NUT        |
| 27  | 3009507X1                          | ●     | 1 | SCREW      |
| 28  | 1440314X1                          |       | 1 | LOCK & SEA |
| 29  | 390735X1                           |       | 1 | WASHER     |
| 30  | 339369X1                           |       | 1 | WASHER     |
| 31  |                                    | ◊     | 1 | TIE ROD    |
| 32  | 3674887M91                         |       | 2 | GASKET     |
| 33  | 3015167X1                          | M5X20 | 4 | SCREW      |
| 34  | 1427000M1                          |       | 4 | WASHER     |
| 35  | 390469X1                           |       | 4 | LOCK WASHE |
| 36  | 339381X1                           |       | 4 | LOCK WASHE |
| 37  | 390995X1                           |       | 4 | NUT        |
| 38  |                                    | ◊     | 1 | LEVER      |
| !   | THIS IS A COMPONENT OF AN ASSEMBLY |       |   |            |
| ◊   | SEE PAGE - REFERENCE NUMBER        |       |   |            |
| A   | HAND BRAKES SWITCH                 |       |   |            |
| T-A | Replacement                        |       |   |            |

REAR AXLE AND REAR BRAKES

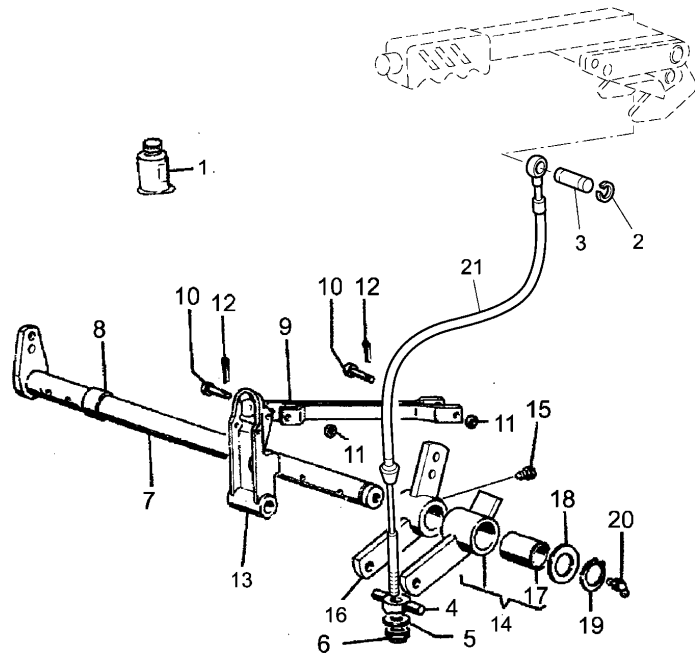
**G-40  
08**



G4008

Rex Tier 2 fp/cab  
desp. 80 F/GE

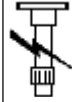
BRAKES - "HANDBRAKE"



- |    |            |    |                 |     |           |
|----|------------|----|-----------------|-----|-----------|
| 1  | 3663814M1  | ●  | 1427801M2 (999) | 999 | LOCTITE   |
| 2  | 1441923X1  |    |                 | 2   | RING      |
| 3  | 3532907M2  |    |                 | 1   | PIN       |
| 4  | 1824795M1  |    |                 | 1   | ACTUATOR  |
|    |            |    | T-A 1:0         |     |           |
| 5  | 1440287X1  |    |                 | 1   | WASHER    |
| 6  | 1440329X1  |    |                 | 1   | NUT       |
| 7  | 3673911M93 |    |                 | 1   | SHAFT     |
| 8  | 1427364M1  |    |                 | 1   | SPACER    |
|    |            |    | T-A 1:0         |     |           |
| 9  | 1427365M92 |    |                 | 2   | TIE ROD   |
|    |            |    | T-A 0:50        |     |           |
| 10 | 3003157X1  | ≡≡ |                 | 1   | PIN       |
| 10 | 3003157X1  | ≡≡ |                 | 3   | PIN       |
| 10 | 3015491X1  | ≡≡ |                 | 2   | PIN       |
| 11 | 390734X1   |    |                 | 4   | WASHER    |
| 12 | 3000009X1  | ●  | 1442962X1 (2)   | 2   | LINCH PIN |
|    |            | ≡≡ |                 |     |           |
| 12 | 3000009X1  | ●  | 1442962X1 (4)   | 4   | LINCH PIN |
|    |            | ≡≡ |                 |     |           |
| 13 |            | ◊  | G-40 05 23      | 2   | LEVER     |
| 14 | 3673919M91 | ◄  |                 | 1   | LEVER     |
|    |            |    | T-A 1:0         |     |           |
| 15 | 393588X1   |    | M14X1,5         | 1   | SCREW     |
| 16 | 3673918M91 | ►  |                 | 1   | LEVER     |
|    |            |    | T-A 1:0         |     |           |
| 17 | 1423482M1  | !  | 14              | 1   | BUSH      |
|    |            |    | T-A 1:0         |     |           |

REAR AXLE AND REAR BRAKES

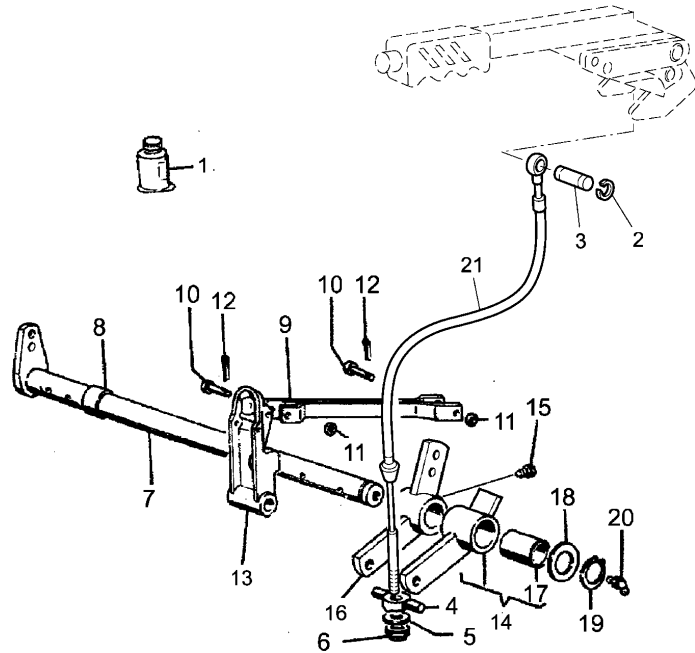
**G-40  
08**



G4008

Rex Tier 2 fp/cab  
desp. 80 F/GE

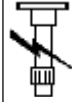
BRAKES - "HANDBRAKE"



- |     |                                    |                 |           |
|-----|------------------------------------|-----------------|-----------|
| 18  | 1423609M1                          |                 | 1 SHIM    |
| 19  | 392758X1                           |                 | 1 RING    |
| 20  | 391335X1                           |                 | 2 GREASER |
|     |                                    | T-A 0:25        |           |
| 21  | 3673928M2                          | ● 3673928M3 (1) | 1 TIE ROD |
| !   | THIS IS A COMPONENT OF AN ASSEMBLY |                 |           |
| ☞   | SEE PAGE - REFERENCE NUMBER        |                 |           |
| ⊞   | 4 WHEEL DRIVE                      |                 |           |
| ⊞   | 2 WHEEL DRIVE                      |                 |           |
| ◀   | LEFT HAND                          |                 |           |
| ▶   | RIGHT HAND                         |                 |           |
| T-A | Replacement                        |                 |           |

REAR AXLE AND REAR BRAKES

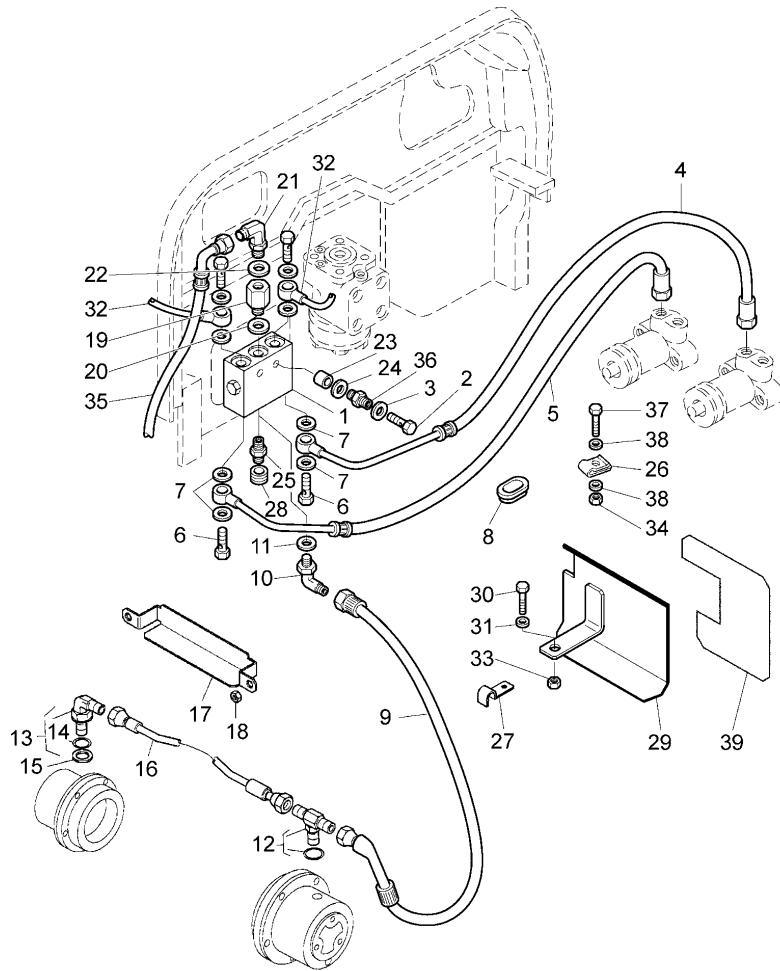
**G-40  
09**



G4009

Rex Tier 2 fp/cab  
desp. 80 F/GE

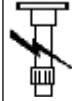
REAR AND FRONT BRAKES - PIPINGS - FRONT PIPES



1	3536121M94		1	VALVE
1	3548949M1	II	1	BLOCK
		A		
		T-A 1:50		
2	1440922X1	M6X60	2	SCREW
3	339375X1		2	LOCK WASHE
4	3671550M92	▶	1	PIPE
		T-A 0:75		
5	3671551M92	◀	1	PIPE
		T-A 0:75		
6	394209X1		2	UNION
7	1444744X1		4	RING
8	3673949M1		1	CHOCK
9	3674545M91	II	1	PIPE
		D		
		F		
9	3678553M91	II	1	PIPE
		E		
		T-A 1:0		
10	3306705M92	II	1	UNION
11	3548877M1	II	1	WASHER
12	3547247M91	● 3547247M92 (1)	1	UNION
		II		
13	3306705M92	II	1	UNION
14	3015160X1	! 13	1	O RING
15	3548877M1	II	1	WASHER
16	3545819M91	II	1	PIPE
		T-A 0:25		

REAR AXLE AND REAR BRAKES

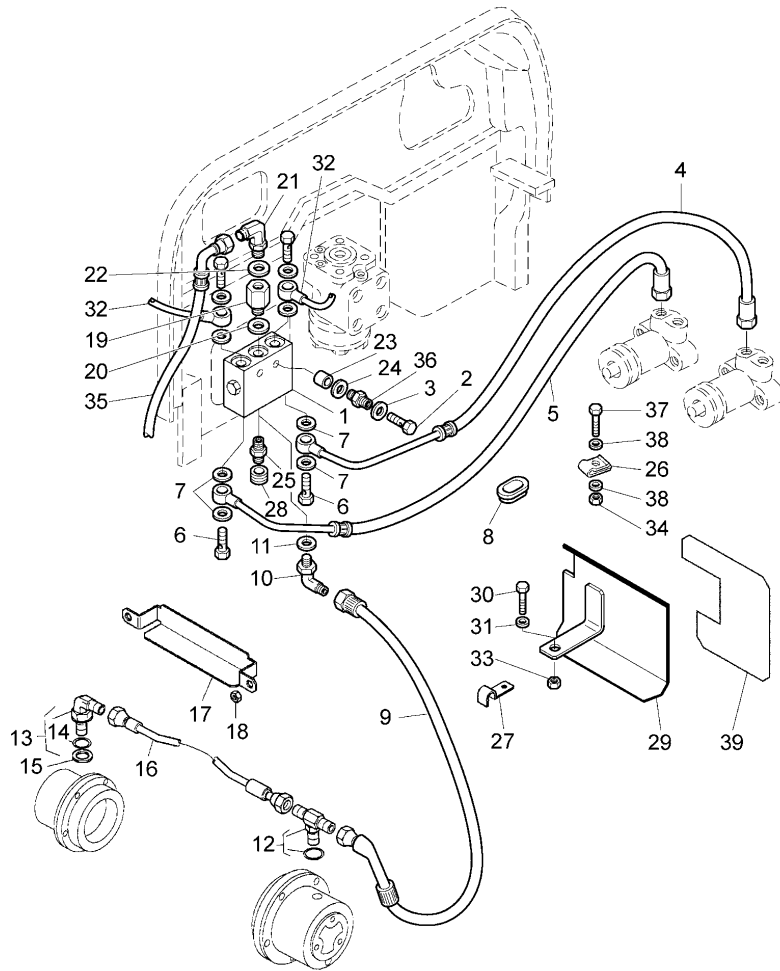
**G-40  
09**



G4009

Rex Tier 2 fp/cab  
desp. 80 F/GE

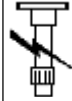
REAR AND FRONT BRAKES - PIPINGS - FRONT PIPES



17	3674296M91	II		1	GUARD
18	3009696X1	II	T-A 0:25	2	NUT
19	3647757M1	B		1	COLUMN
20	1444744X1	B		1	RING
21	3306705M92	II		1	UNION
22	3548877M1	II	A	1	WASHER
23	3551507M1		A	2	SPACER
24	390971X1			2	WASHER
25	3302516M1	●	3669838M1 (1)	1	SCREW
		II	3669837M1		
			M10X1		
25	3669837M1	●	3669838M1 (1)	1	SCREW
		II	3302516M1		
			M10X1		
26	1825173M1			4	RETAINER
27	3547542M1			3	CLAMP
28	3539976M1	II		1	GUARD
29	3674528M93	●	T-A 0:50	1	GUARD
30	391005X1		3674528M94 (1)	1	STUD
31	1440314X1		M10X25	1	LOCK & SEA
32		∅	G-40 06 17	1	PIPE
33	3009693X1	●		1	NUT
34	1442021X1		339402X1 (1)	2	NUT
35		∅	G-40 14 19	1	PIPE

REAR AXLE AND REAR BRAKES

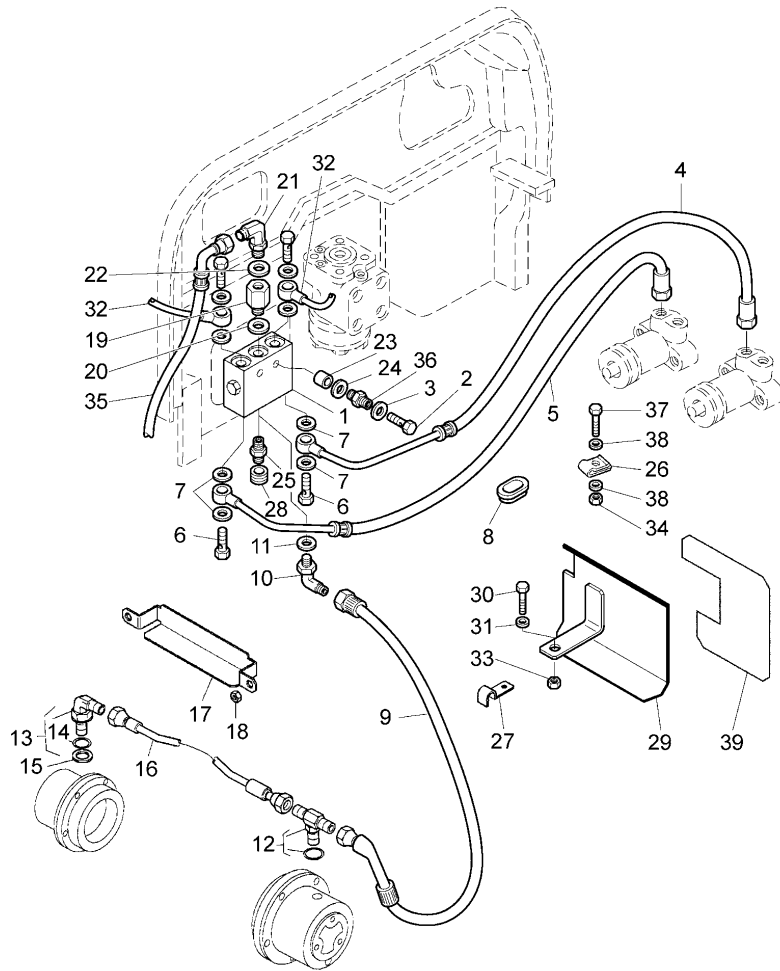
**G-40  
09**



G4009

Rex Tier 2 fp/cab  
desp. 80 F/GE

REAR AND FRONT BRAKES - PIPINGS - FRONT PIPES



- |    |           |       |   |        |
|----|-----------|-------|---|--------|
| 36 | 3684594M1 |       | 2 | RIVET  |
| 37 | 1441914X1 | M6X18 | 2 | SCREW  |
| 38 | 390971X1  |       | 2 | WASHER |
| 39 | 3677536M2 |       | 1 | GUARD  |

! THIS IS A COMPONENT OF AN ASSEMBLY

⊕ SEE PAGE - REFERENCE NUMBER

⚡ ALTERNATIVE

A WITHOUT HYDRAULIQUE TRAILER BRAKING SYSTEM

B WITH HYDRAULIQUE TRAILER BRAKING SYSTEM

⊞ 4 WHEEL DRIVE

⊞ 2 WHEEL DRIVE

D WITH CAB

E WITH PLATFORM

F VERSION "F"

◀ LEFT HAND

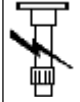
▶ RIGHT HAND

T-A Replacement

REAR AXLE AND REAR BRAKES

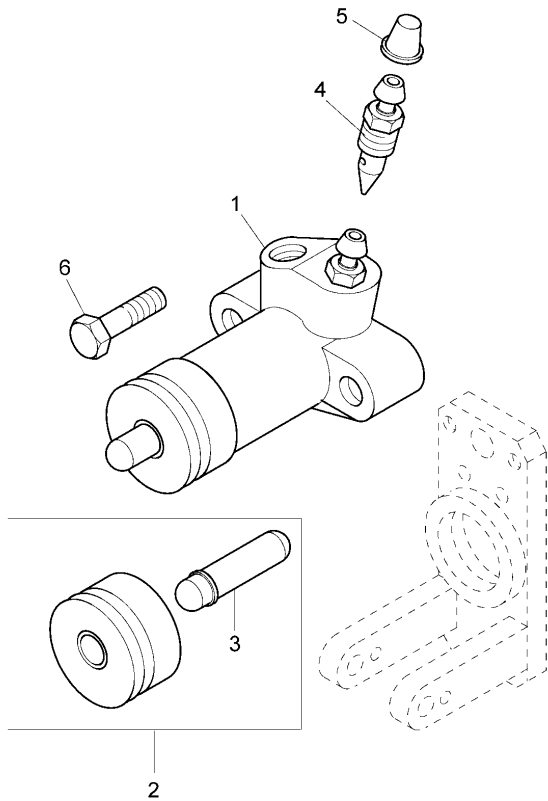
**G-40**  
**10**

BRAKE CYLINDER



G4010

Rex Tier 2 fp/cab  
desp. 80 F/GE



1	3537812M91	"BENDITALIA" (X) 0.1.2.4 T-A 0:75	2	CYLINDER
2	3540225M91	! 1 (X) 0.1.2.4 T-A 1:0	1	KIT
3		! 2 ➡ REF.N.2	1	ROD
4	3301467M1	M12X1.25 T-A 0:50	2	SCREW
5	3539976M1		2	GUARD
6	339351X1	M6X25	4	SCREW
!	THIS IS A COMPONENT OF AN ASSEMBLY			
➡	NOT SERVICED, ORDER			
T-A	Replacement			
(X)	QTY PER TRACTORS SOLD (AA.BBB.CCC.DDD) (AA) FOR 1,(BBB) 2-10 (CCC) 11-25 (DDD) 26-50			



REAR AXLE AND REAR BRAKES

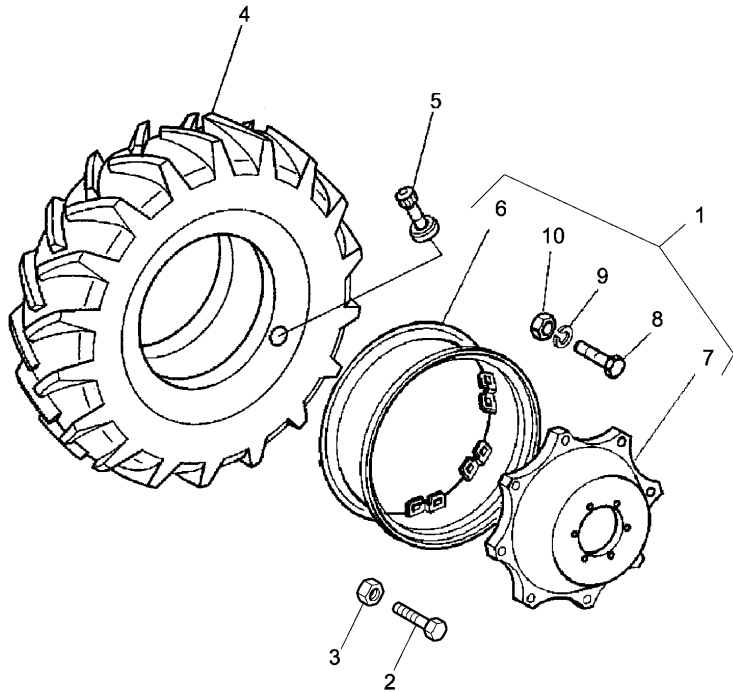
**G-40**  
**11**



G4011

Rex Tier 2 fp/cab  
desp. 80 F/GE

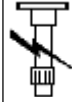
REAR WHEELS - HOOPS AND TYRES



1	3663319M91	II	F Q W11-28 T-A 1:0	2	WHEEL
1	3671487M91		B W10-24 T-A 1:0	2	WHEEL
1	3671488M91		B G I W12-24 T-A 1:0	2	WHEEL
1	3671489M91	II	F L N W13-24 T-A 1:0	2	WHEEL
1	3671492M91		F Q R S T W12-28 T-A 1:0	2	WHEEL
1	3671494M91		F V W10-28 T-A 1:0	2	WHEEL

REAR AXLE AND REAR BRAKES

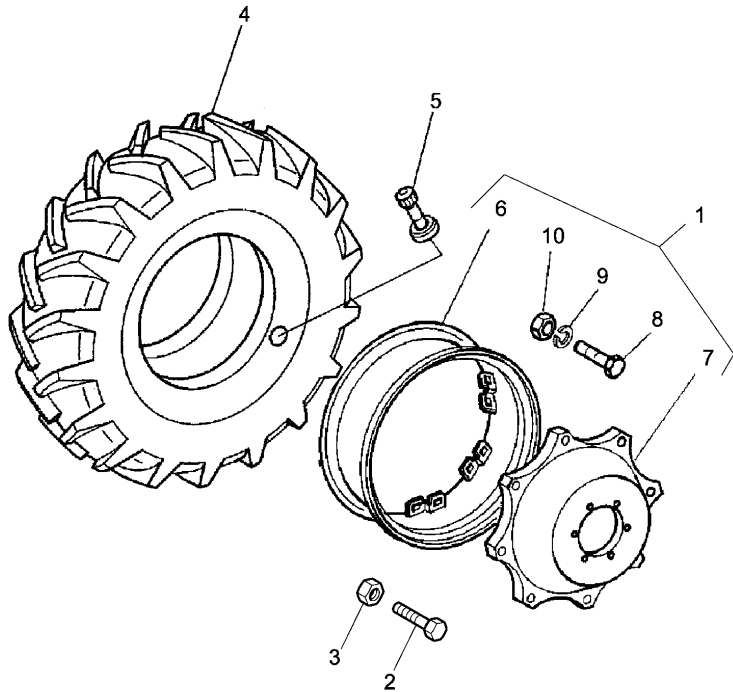
**G-40**  
**11**



G4011

Rex Tier 2 fp/cab  
desp. 80 F/GE

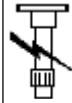
REAR WHEELS - HOOPS AND TYRES



1	3696761M91	E O W11-20 T-A 1:0	2	WHEEL
2	3015323X1	M18X1,5	12	STUD
3	3384600M2		12	NUT
4	3307479M1	≡ I F 16.9 R24 T-A 1:25	2	TYRE
4	3532766M1	F 380/70 R24	2	TYRE
4	3533780M1	F 380/70 R28 T-A 1:25	2	TYRE
4	3534565M1	≡ I F 420/70 R24	2	TYRE
4	3535111M1	F 13.6 R24 T-A 1:25	2	TYRE
4	3535119M1	F 12.4 R28 T-A 1:25	2	TYRE
4	3536219M1	E 360/70 R24 T-A 1:25	2	TYRE
4	3538617M1	E 14.9 LR20 T-A 1:25	2	TYRE

REAR AXLE AND REAR BRAKES

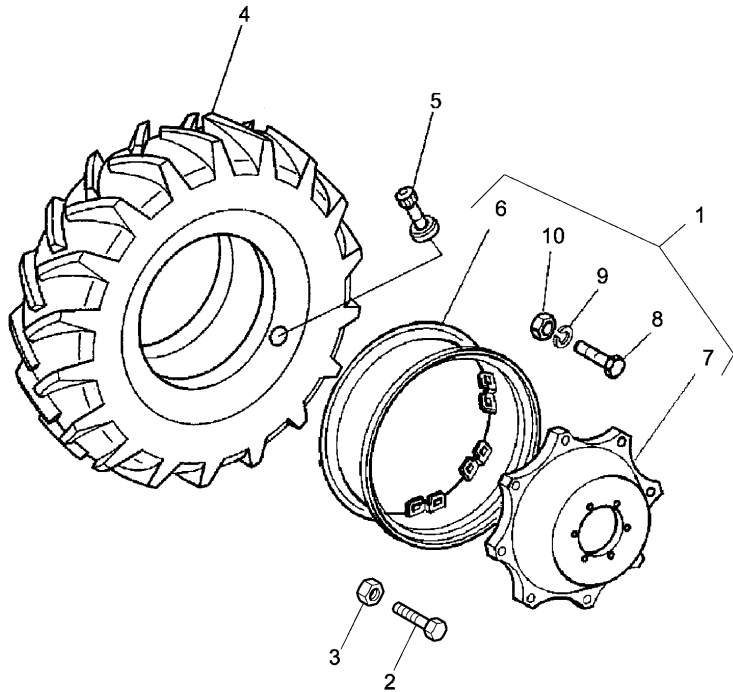
**G-40**  
**11**



G4011

Rex Tier 2 fp/cab  
desp. 80 F/GE

REAR WHEELS - HOOPS AND TYRES



4	3538620M91	14.9 LR20	2	CHAMBER
4	3543796M1	F 360/70 R28 T-A 1:25	2	TYRE
4	3552332M1	F 13.6 R28 T-A 1:25	2	TYRE
4	3552333M1	F 14.9 R24 T-A 1:25	2	TYRE
4	3552335M1	F 14.9 R28 T-A 1:25	2	TYRE
5	3692410M1	T-A 1:25	2	VALVE
6	3671585M91 !	1 W12-28	1	HOOP
6	3671586M91 !	1 W13-24	1	HOOP
6	3671587M91 !	1 W12-24	1	HOOP
6	3671588M91 !	1 W10-24	1	HOOP
6	3671590M91 !	1 W10-28	1	HOOP
6	3671591M91 !	1 W11-20	1	HOOP
6	4206680M1 !	1 W11-28	1	HOOP

REAR AXLE AND REAR BRAKES

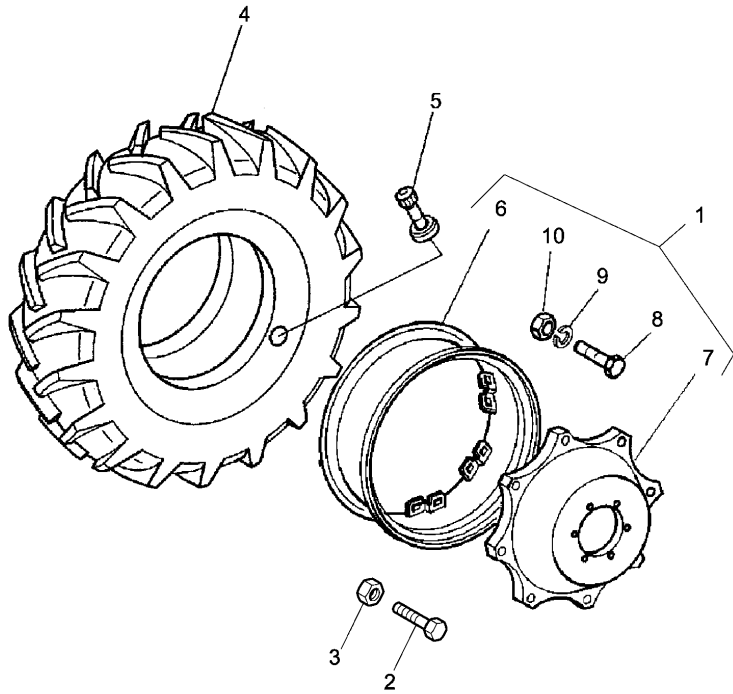
**G-40  
11**



G4011

Rex Tier 2 fp/cab  
desp. 80 F/GE

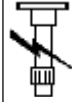
REAR WHEELS - HOOPS AND TYRES



7	3541308M1	!	1	1 DISC
			F	
			Q	
7	3542265M1	!	1	1 DISC
			B	
7	3542265M1	!	1	1 DISC
			F	
			L	
			N	
7	3542265M1	!	1	1 DISC
			B	
			G	
			I	
7	3552149M1	!	1	1 DISC
			F	
			V	
7	3552149M1	!	1	1 DISC
			F	
			Q	
			R	
			S	
			T	
7	3696763M1	!	1	1 DISC
			E	
			O	
8	3542266M1	!	1	6 SCREW
			M16X80	
8	3671701M1	!	1	6 SCREW
			E	
			F	
			O	
			Q	
			M16X1.5	
9	1440284X1	!	1	6 WASHER

REAR AXLE AND REAR BRAKES

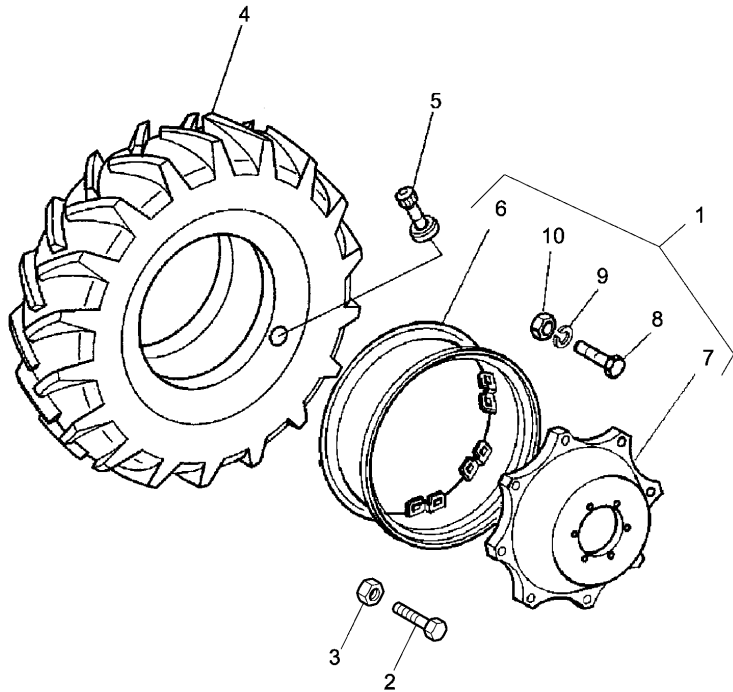
**G-40**  
**11**



G4011

Rex Tier 2 fp/cab  
desp. 80 F/GE

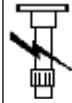
REAR WHEELS - HOOPS AND TYRES



- |    |           |     |                                    |   |        |
|----|-----------|-----|------------------------------------|---|--------|
| 9  | 3671698M1 | ●   | 3531414M1 (6)                      | 6 | WASHER |
|    |           | !   | 1                                  |   |        |
|    |           |     | E                                  |   |        |
|    |           |     | O                                  |   |        |
| 10 | 1440725X1 | ●   | 3009748X1 (6)                      | 6 | NUT    |
|    |           | !   | 1                                  |   |        |
|    |           | !   | THIS IS A COMPONENT OF AN ASSEMBLY |   |        |
|    |           | B   | WITH TYRE 360/70 R24 TYRES         |   |        |
|    |           | I   | 4 WHEEL DRIVE                      |   |        |
|    |           | I   | 2 WHEEL DRIVE                      |   |        |
|    |           | E   | VERSION "GE"                       |   |        |
|    |           | F   | VERSION "F"                        |   |        |
|    |           | G   | FOR USE WITH 13.6 R24 TYRES        |   |        |
|    |           | I   | WITH TYRE 380/70 R24 TYRES         |   |        |
|    |           | L   | FOR USE WITH 16.9 R24 TYRES        |   |        |
|    |           | N   | FOR USE WITH 420/70 R24 TYRES      |   |        |
|    |           | O   | FOR USE WITH 14.9 LR20 TYRES       |   |        |
|    |           | Q   | FOR USE WITH 13.6 R28 TYRES        |   |        |
|    |           | R   | FOR USE WITH 14.9 R28 TYRES        |   |        |
|    |           | S   | FOR USE WITH 360/70 R28 TYRES      |   |        |
|    |           | T   | FOR USE WITH 380/70 R28 TYRES      |   |        |
|    |           | T-A | Replacement                        |   |        |
|    |           | V   | FOR USE WITH 12.4 R28 TYRES        |   |        |

REAR AXLE AND REAR BRAKES

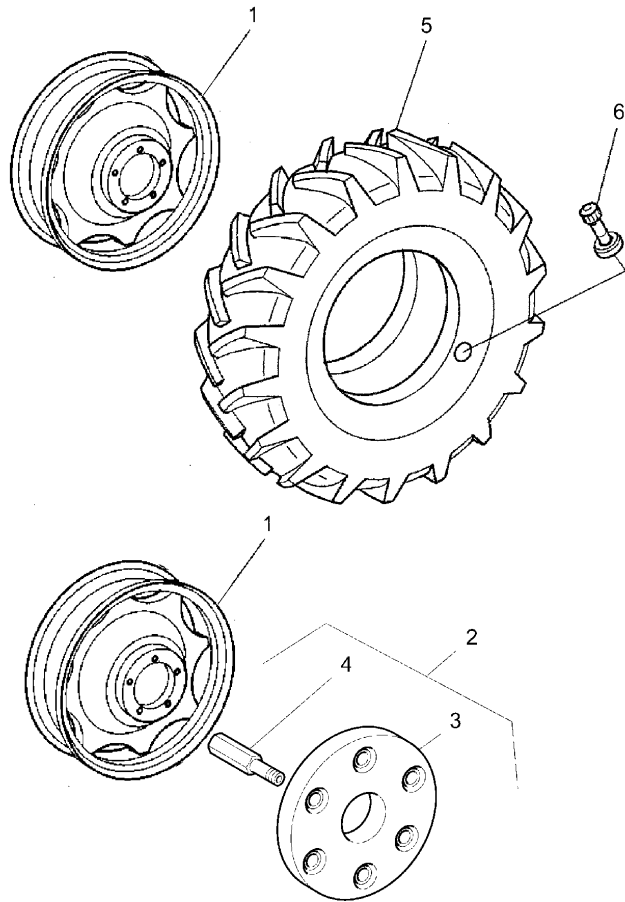
**G-40  
12**



G4012

Rex Tier 2 fp/cab  
desp. 80 F/GE

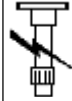
REAR WHEELS - HOOPS AND TYRES



- |   |                                    |   |               |
|---|------------------------------------|---|---------------|
|   | A                                  |   |               |
|   | B                                  |   |               |
| 1 | ⊕ G-40 11 01                       | 2 | HOOP          |
| 2 | 3672676M91                         | 1 | WIGHT         |
| 3 | 3303462M4 ! 2                      | 2 | WIGHT         |
| 4 | 3672459M1 ! 2                      | 6 | COLUMN        |
| 5 | ⊕ G-40 11 04                       | 2 | TYRE AND TUBE |
| 6 | ⊕ G-40 11 05                       | 2 | VALVE         |
| ! | THIS IS A COMPONENT OF AN ASSEMBLY |   |               |
| ⊕ | SEE PAGE - REFERENCE NUMBER        |   |               |
| A | WITH 2 WEIGHTS                     |   |               |
| B | VERSION "F"                        |   |               |

REAR AXLE AND REAR BRAKES

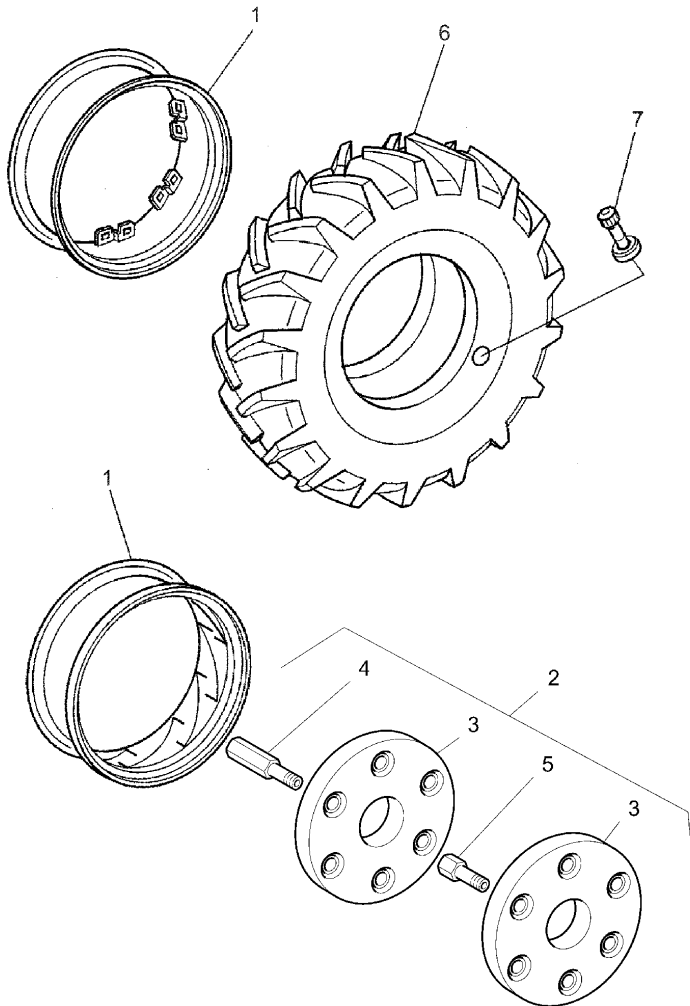
**G-40  
13**



G4013

Rex Tier 2 fp/cab  
desp. 80 F/GE

REAR WHEELS - HOOPS AND TYRES



	A		
	B		
1	⊕ G-40 12 1	2	HOOP
2	3672677M91	1	WIGHT
	T-A 0:25		
3	3303462M4 ! 2	4	WIGHT
	T-A 0:25		
4	3672459M1 ! 2	6	COLUMN
	T-A 0:50		
5	3536738M2 ! 2	6	PIN
	M18X1,5		
	T-A 0:25		
6	⊕ G-40 12 4	2	TYRE
7	⊕ G-40 12 5	2	VALVE
!	THIS IS A COMPONENT OF AN ASSEMBLY		
⊕	SEE PAGE - REFERENCE NUMBER		
A	WITH 4 WEIGHTS		
B	VERSION "F"		
T-A	Replacement		

REAR AXLE AND REAR BRAKES

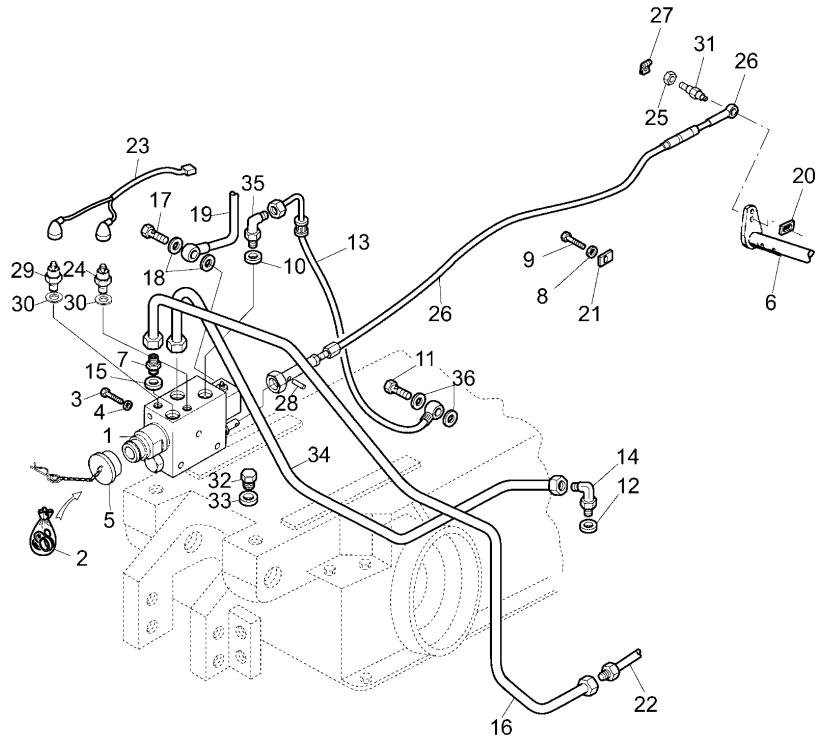
**G-40**  
**14**

TRAILER BRAKES - PIPES AND FITTINGS



G4014

Rex Tier 2 fp/cab  
desp. 80 F/GE



A  
C

1	3656730M93	Ø 20/6 MM	1	DISTRIBUTO
2	3540567M92	!	1	KIT
3	339132X1	M8X75	3	SCREW
4	339374X1		3	WASHER
5	908605M1		1	PLUG
		T-A 0:25		
6		⊕ G-40 08 07	1	SHAFT
7	3306703M91		1	UNION
8	339374X1		1	LOCK & SEA
9	391074X1	M6X12	1	SCREW
10	3548878M1	● 1425358M2 (1)	1	WASHER
11	3553651M1		1	UNION
12	3548878M1	● 1425358M2 (1)	1	WASHER
13	3677873M91		1	PIPE
14	3656164M92		1	UNION
15	3548879M1		1	WASHER
16	3680437M91		1	PIPE
		D		
		G		
17	394209X1		2	UNION
18	1444744X1		4	RING
19	3671552M91	⊕ G-40 09 35 T-A 4:25	1	PIPE
20	3300126M1		1	PLATE
21	3547117M1		1	PLATE
22		⊕ P-42 01 11	1	PIPE
23	3674612M91		1	HARNESS
24	3671083M91	2 ATM	1	INDICATOR

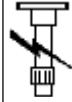


REAR AXLE AND REAR BRAKES

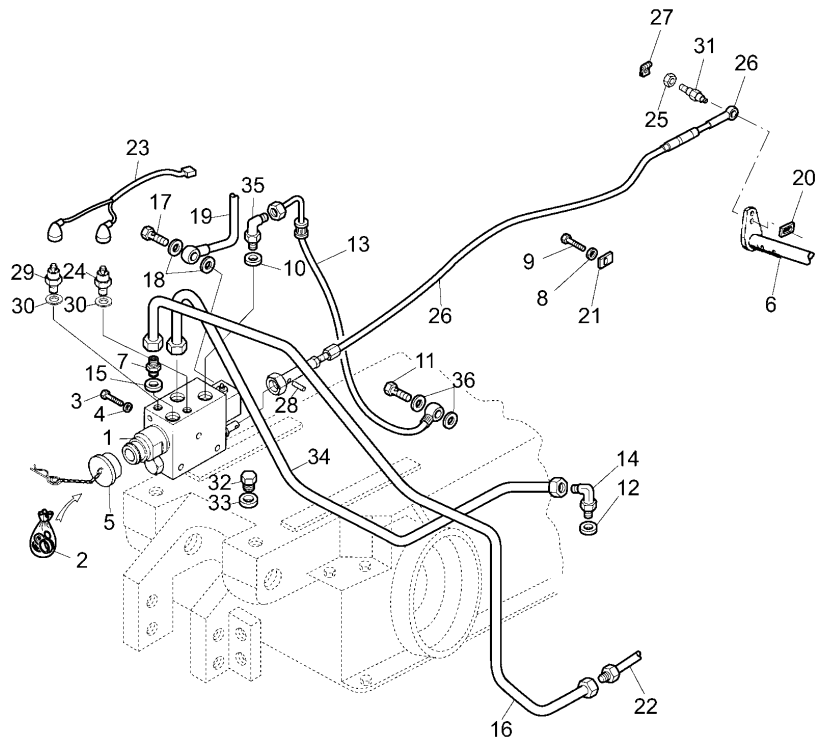
**G-40**  
**14**

TRAILER BRAKES - PIPES AND FITTINGS

Rex Tier 2 fp/cab  
desp. 80 F/GE



G4014

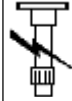


25	394367X1		1	NUT
26	3546843M93		1	CABLE
		T-A 0:75		
27	3308153M1		1	RETAINER
28	3015133X1		1	PIN
29	3676329M92	7 ATM	1	SWITCH
30	3542937M1		2	WASHER
31	3547891M2		1	PIN
32	1441067X1	B	1	PLUG
33	339526X1	B	1	WASHER
34	3693486M91	D	1	PIPE
34	3693492M91		1	PIPE
35	1426265M93		1	UNION
36	339526X1		2	WASHER

- ! THIS IS A COMPONENT OF AN ASSEMBLY
- ☞ SEE PAGE - REFERENCE NUMBER
- A WITH HYDRAULIQUE TRAILER BREAKING SYSTEM "ITALIA"
- B WITHOUT HYDRAULIQUE TRAILER BEAKING SYSTEM
- 4 WITH 4 WHEEL DRIVE
- C WITH MECANICS RISER
- D WITH 2 DISTRIBUTORS
- G WITH 1 DISTRIBUTOR
- ∅ DIAMETER
- T-A Replacement

REAR AXLE AND REAR BRAKES

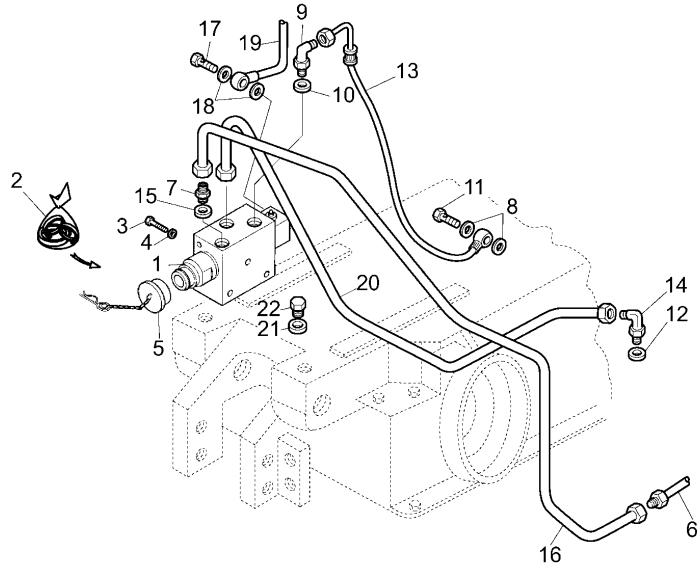
**G-40  
15**



G4015

Rex Tier 2 fp/cab  
desp. 80 F/GE

TRAILER BRAKES - PIPES AND FITTINGS



	A		
	C		
	M		
1	3656734M92 Ø 18/6 MM	1	DISTRIBUTO
2	3540568M92 ! 1	1	KIT
3	339132X1 M8X75	3	SCREW
4	339374X1	3	WASHER
5	908605M1	1	PLUG
	T-A 0:25		
6	⊕ P-42 01 11	1	PIPE
7	3306703M91	1	UNION
8	339526X1	2	WASHER
9	1426265M93	1	UNION
10	3548878M1 ● 1425358M2 (1)	1	WASHER
11	3553651M1	1	UNION
12	3548878M1 ● 1425358M2 (1)	1	WASHER
13	3677873M91	1	PIPE
14	3656164M92	1	UNION
15	3548879M1	1	WASHER
16	3680437M91	1	PIPE
	D		
	G		
17	394209X1	2	UNION
18	1444744X1	4	RING
19	3671552M91 ⊕ G-40 09 35	1	PIPE
	T-A 4:25		
20	3693486M91 D	1	PIPE
20	3693492M91 G	1	PIPE
21	339526X1 B	1	WASHER
22	1441067X1 B	1	PLUG

REAR AXLE AND REAR BRAKES

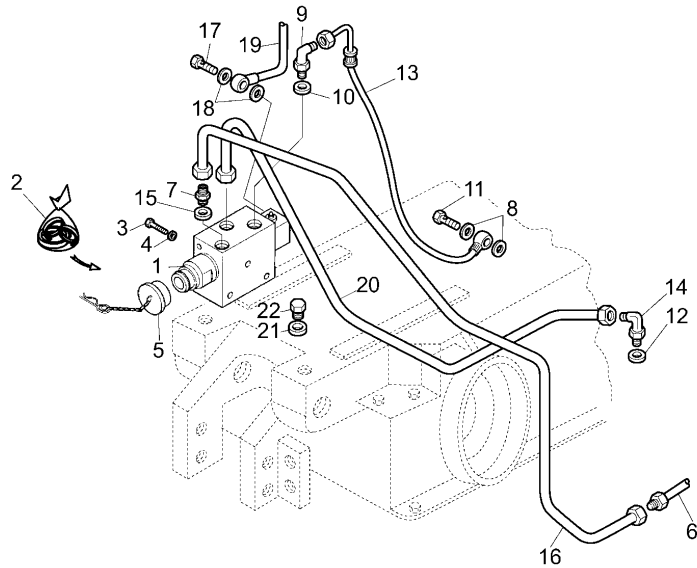
**G-40**  
**15**

TRAILER BRAKES - PIPES AND FITTINGS

Rex Tier 2 fp/cab  
desp. 80 F/GE



G4015



- ! THIS IS A COMPONENT OF AN ASSEMBLY
- ⊕ SEE PAGE - REFERENCE NUMBER
- A WITH HYDRAULIQUE TRAILER BREAKING SYSTEM "FRANCE"
- B WITHOUT HYDRAULIQUE TRAILER BEAKING SYSTEM
- C WITH MECANICS RISER
- D WITH 2 DISTRIBUTORS
- G WITH 1 DISTRIBUTOR
- ∅ DIAMETER
- M NOT FOR SWITZERLAND
- T-A Replacement

FRONT AXLE AND STEERING

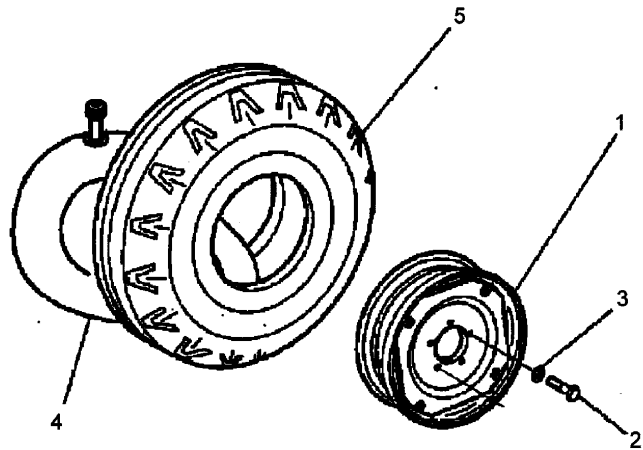
J-09  
01



J0901

Rex Tier 2 fp/cab  
desp. 80 F/GE

FRONT WHEELS - HOOPS AND TYRES - 2 WHEEL DRIVE



1	1423750M91	G O 4.00 E-16 T-A 0:75	2	WHEEL
1	3530208M91	A I W 5.50F - 10 T-A 0:75	2	WHEEL
1	3551628M91	A P 5JA X 12 T-A 0:75	2	HOOP
1	3691503M91	B E 5.50F - 16 T-A 0:75	2	HOOP
2	1441554X1	M14X1,5X30	10	SCREW
3	3304540M1		10	LOCK WASHE
4	1816639M91	B E T-A 1:0	2	CHAMBER
4	1823727M91	B O T-A 1:0	2	CHAMBER
4	3539777M91	A W T-A 1:0	2	CHAMBER

FRONT AXLE AND STEERING

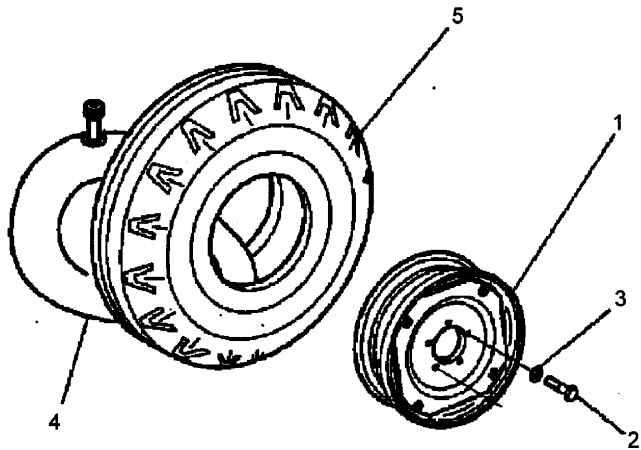
J-09  
01



J0901

Rex Tier 2 fp/cab  
desp. 80 F/GE

FRONT WHEELS - HOOPS AND TYRES - 2 WHEEL DRIVE



4	3549951M91	A	2	CHAMBER
		I		
		T-A 1:0		
4	3551577M91	A	2	CHAMBER
		P		
		T-A 1:0		
4	979877M91	G	2	CHAMBER
		T-A 1:0		
5	1423758M1	B	2	TYRE
		7.50 - 16		
		T-A 1:0		
5	1823726M1	B	2	TYRE
		6.50 - 16		
		T-A 1:0		
5	3543125M1	6.00 - 16	2	TYRE
		T-A 1:0		
5	3549950M1	A	2	TYRE
		7.50 - 10		
		T-A 1:0		
5	3551575M1	A	2	TYRE
		7.00 - 12		
		T-A 1:0		
5	3680931M1	A	2	TYRE
		9.00 - 10		
A	VERSION "GE"			
B	VERSION "F"			
E	FOR USE WITH 7.50-16 TYRES			
G	FOR USE WITH 6.00-16 TYRES			
I	FOR USE WITH 7.50-10 TYRES			
O	FOR USE WITH 6.50-16 TYRES			
P	FOR USE WITH 7.00 - 12 TYRES			
T-A	Replacement			
W	FOR USE WITH 9.00-10 TYRE			

FRONT AXLE AND STEERING

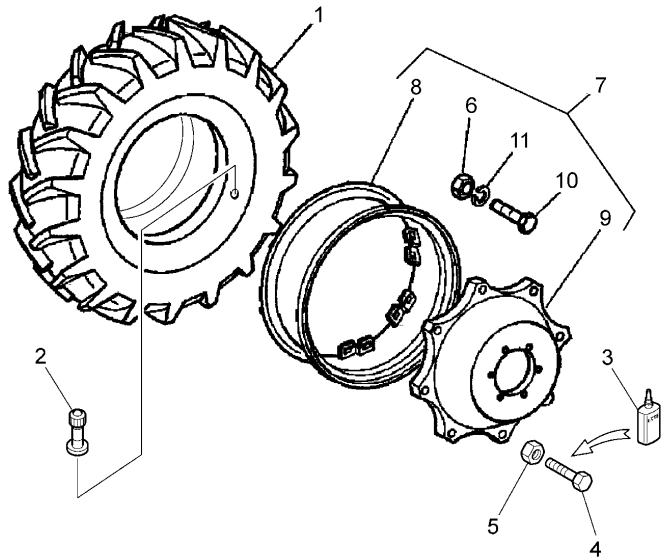
J-09  
02



J0902

Rex Tier 2 fp/cab  
desp. 80 F/GE

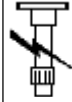
FRONT WHEELS - HOOPS AND TYRES - 4 WHEEL DRIVE



1	3309123M1	●	PI3309123M1 (2)	2	TYRE
			T		
			9.0/75 - 16		
1	3535125M1		E	2	TYRE
			9.5 R20		
1	3549141M1		8.25 - 16	2	TYRE
1	3549142M1		E	2	TYRE
			7.50 R18		
1	3554175M1		E	2	TYRE
			260/70 R20		
1	3557659M1		E	2	TYRE
			7.50 R16		
1	3558869M1		E	2	TYRE
			280/70 R18		
1	3655076M1	●	3548399M1 (2)	2	TYRE
			280/70 R16		
1	3661453M1			2	TYRE
2	3692410M1			2	VALVE
3	3303219M1			999	LOCTITE
4	3696693M1	➔	Y13072	12	SCREW
			M16X1.5		
5	3696681X1	➔	Y13073	12	NUT
6	1440231X1	●	3009748X1 (4)	4	NUT
		!	7		
			E		
			H		
			K		
6	1440725X1	●	3009748X1 (4)	4	NUT
		!	7		
			M16x1.5		
7	3681061M91		C	2	RIM
			T		
			5.50 F - 16		
7	3681062M91		E	2	RIM
			F		
			5.50 F - 18		

FRONT AXLE AND STEERING

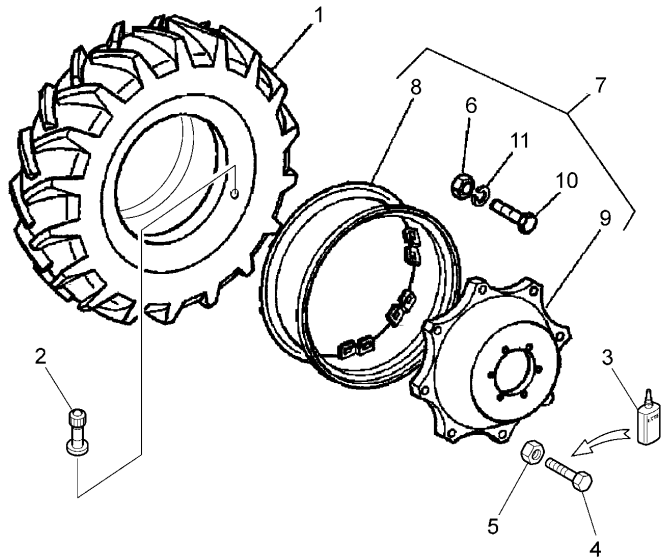
J-09  
02



J0902

Rex Tier 2 fp/cab  
desp. 80 F/GE

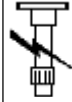
FRONT WHEELS - HOOPS AND TYRES - 4 WHEEL DRIVE



7	3681828M91	E R 9X18	2	RIM
7	3691978M91	G H M W8X16	2	HOOP
7	3693953M91 →	Y13072 B C E 5.50 F - 16	2	RIM
7	3693955M91 →	Y13073 E N 5.50F - 20	2	RIM
7	3693972M91 →	Y13072 E H W10X16 T-A 1:25	2	HOOP
7	3694833M91	E K W9X20 T-A 1:25	2	WHEEL
8	3658030M91 !	7 9x18	1	HOOP
8	3671784M91 !	7 5.50 F - 16	1	HOOP
8	3671791M91 !	7 5.50 F - 18	1	HOOP
8	3671795M91 !	7 5.50 F - 20	1	HOOP

FRONT AXLE AND STEERING

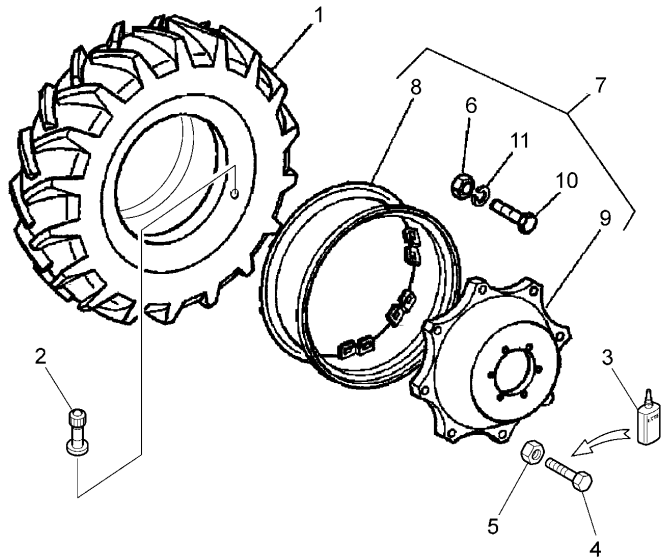
J-09  
02



J0902

Rex Tier 2 fp/cab  
desp. 80 F/GE

FRONT WHEELS - HOOPS AND TYRES - 4 WHEEL DRIVE

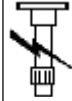


8	4206678M1	!	7 W9X20	1	HOOP
8	4206691M91	!	7 W10X16	1	HOOP
9	3681245M1	!	7 B C	1	DISC
9	3681246M1	!	7 E F	1	DISC
9	3681247M1	!	7 E N	2	DISC
9	3686517M1	!	7 E K	1	DISC
9	4206378M1	● ! Ø	3681246M1 (1) 7 345.2	1	DISC
9	4206690M1	!	7 E H	1	DISC
10	3309334M1	● !	3671701M1 (4) 7 E G H K M M16X1.5	4	SCREW
10	3671701M1	!	7 E R M16x1.5	4	SCREW



FRONT AXLE AND STEERING

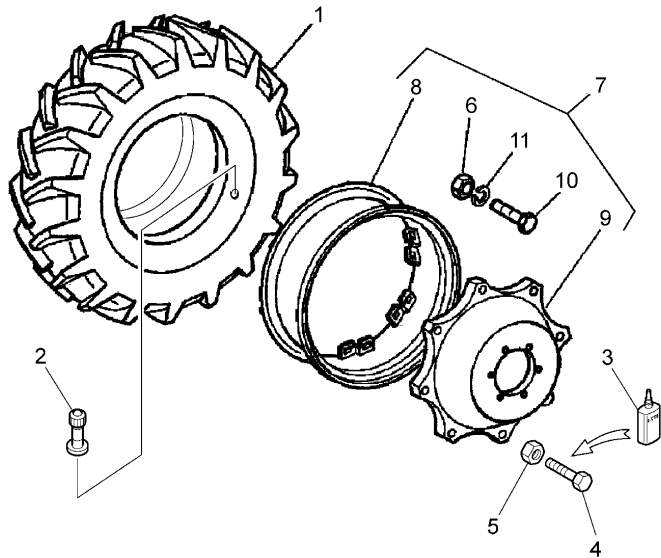
J-09  
02



J0902

Rex Tier 2 fp/cab  
desp. 80 F/GE

FRONT WHEELS - HOOPS AND TYRES - 4 WHEEL DRIVE



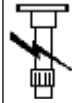
10	3671850M1	!	7	4	SCREW
			M16X60		
11	3671698M1	●	3531414M1 (4)	4	WASHER
		!	7		
11	377329X1	●	1440267X1 (4)	4	WASHER
		!	7		
			E		
			H		
			K		

- !
  - ➔
  - ➔
  - B
  - C
  - E
  - F
  - G
  - H
  - K
  - Ø
  - M
  - N
  - R
  - T
  - T-A
- THIS IS A COMPONENT OF AN ASSEMBLY  
FROM SERIAL OR ENGINE NUMBER  
UP TO SERIAL OR ENGINE NUMBER  
FOR USE WITH 7.50-16 TYRES  
FOR USE WITH 8.25 - 16 TYRES  
VERSION "F"  
FOR USE WITH 7.50-18 TYRES  
FOR USE WITH 260/70 R16 TYRES (TBL)  
FOR USE WITH 280/70 R16 TYRES  
FOR USE WITH 260/70 R20 TYRES (TBL)  
DIAMETER  
FOR USE WITH 9.0/75-16 TYRES  
FOR USE WITH 7.50 R20 TYRES  
FOR USE WITH 280/70 R18 TYRES  
VERSION "GE"  
Replacement

FRONT AXLE AND STEERING

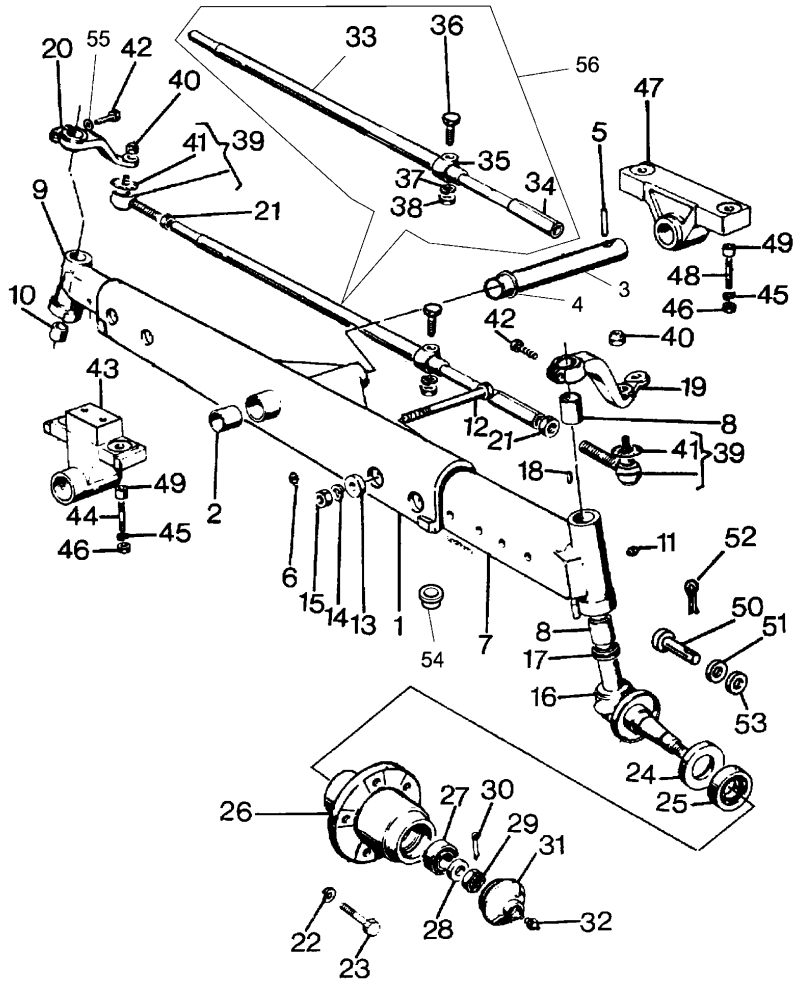
J-09  
03

FRONT AXLE 2 WHEEL DRIVE - AXLE SUPPORT



J0903

Rex Tier 2 fp/cab  
desp. 80 F/GE



1	3676244M91		1	AXLE
		T-A 1:0		
		T-B 3:50		
2	1423636M1	!	1	BUSH
		T-A 1:0		
3	1423630M2		1	PIN
		T-A 1:25		
4	1423631M1		2	WASHER
		T-A 1:0		
5	390949X1		1	DOWEL
6	339608X1		2	GREASER
		T-A 0:25		
7	3675576M92		1	NOSE PIECE
8	975208M1	!	2	BUSH
		T-A 0:75		
9	3675576M92		1	NOSE PIECE
10	975208M1	!	2	BUSH
		T-A 0:75		
11	339608X1		2	GREASER
		T-A 0:25		
12	3000035X1		4	SCREW
		M14X100		
13	1822489M1		4	WASHER
14	1440316X1		4	LOCK WASHER
15	1440201X1		4	NUT
16	3531536M92		2	SPINDLE
		T-A 0:75		

FRONT AXLE AND STEERING

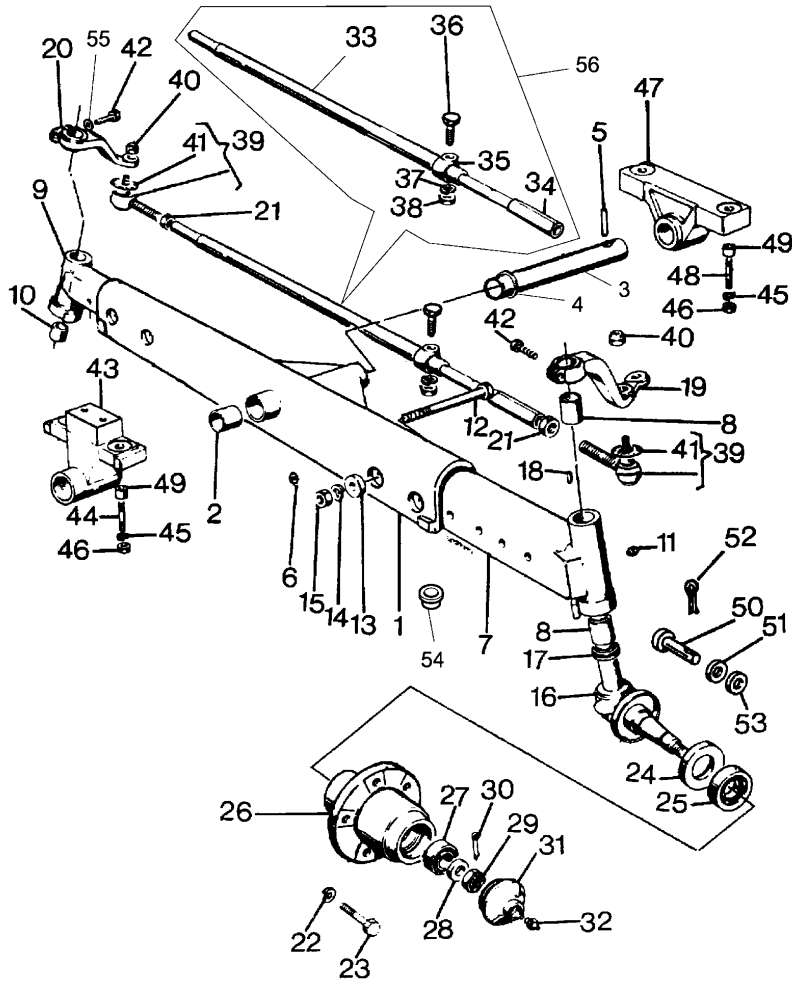
J-09  
03

FRONT AXLE 2 WHEEL DRIVE - AXLE SUPPORT



J0903

Rex Tier 2 fp/cab  
desp. 80 F/GE



17	392060X1		2 BEARING
18	393116X1	T-A 0:75	2 RETAINER
19	3651504M91	◀	1 LEVER
20	3531457M2	▶	1 LEVER
21	392817X1		2 NUT
22		◊ J-09 01 03	10 LOCK WASHER
		C	
		C	
23			10 SCREW
24	394014X1		2 RING
		T-A 0:75	
25	339394X1		2 BEARING
		T-A 0:75	
26	1423655M2		2 HUB
		T-A 0:75	
27	339393X1		2 BEARING
		T-A 0:75	
28	3304452M1		2 LOCK WASHER
29	1440252X1		2 NUT
30	391423X1		2 LINCH PIN
31	1433401M1		2 COVER
		T-A 0:50	
32	339608X1		2 GREASER
		T-A 0:25	
33	3676197M1	● 3676804M91 (1)	1 BAR
		! 56	
34	3559822M1	● 50290K91 (1)	1 ROD
		! 56	
		T-A 0:75	

FRONT AXLE AND STEERING

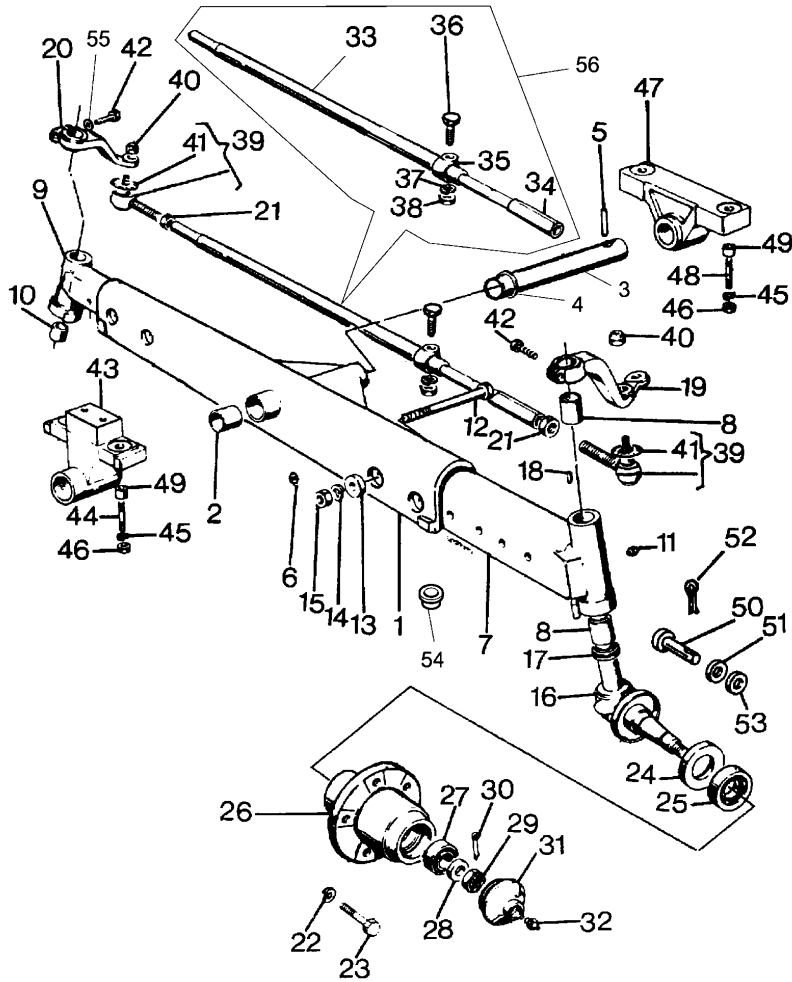
J-09  
03

FRONT AXLE 2 WHEEL DRIVE - AXLE SUPPORT



J0903

Rex Tier 2 fp/cab  
desp. 80 F/GE



35	974353M1	!	56	1	RETAINER
			T-A 0:75		
36	3009512X1	!	56	1	SCREW
			M12X60		
37	1440315X1	!	56	1	LOCK WASHER
38	1440200X1	!	56	1	NUT
39	1821234M91		T-A 0:75	2	UNIVERSAL
40	393565X1			2	NUT
41	3310623M1	!	39	2	GROMMET
42	3015050X1		M12X1,5X60	2	SCREW
43	3675607M1		D	1	SUPPORT
			T-A 1:0		
44	394251X1		D	2	STUD
			M18X85		
45	1440317X1			4	LOCK WASHER
46	392335X1			4	NUT
47	3676052M1		Y	1	SUPPORT
			T-A 1:0		
48	394252X1		Y	2	STUD
			M18X90		
49	1823569M1			4	BUSH
50	3549549M1			2	PIN
51	3426665M1	✕	9MM	2	SPACER
52	3426814M1			2	RETAINER
53	3309241M1	✕	6MM	2	SPACER
54	974809M1	!	1	6	PLUG
55	1440315X1			2	WASHER
56	3676804M91			1	BAR

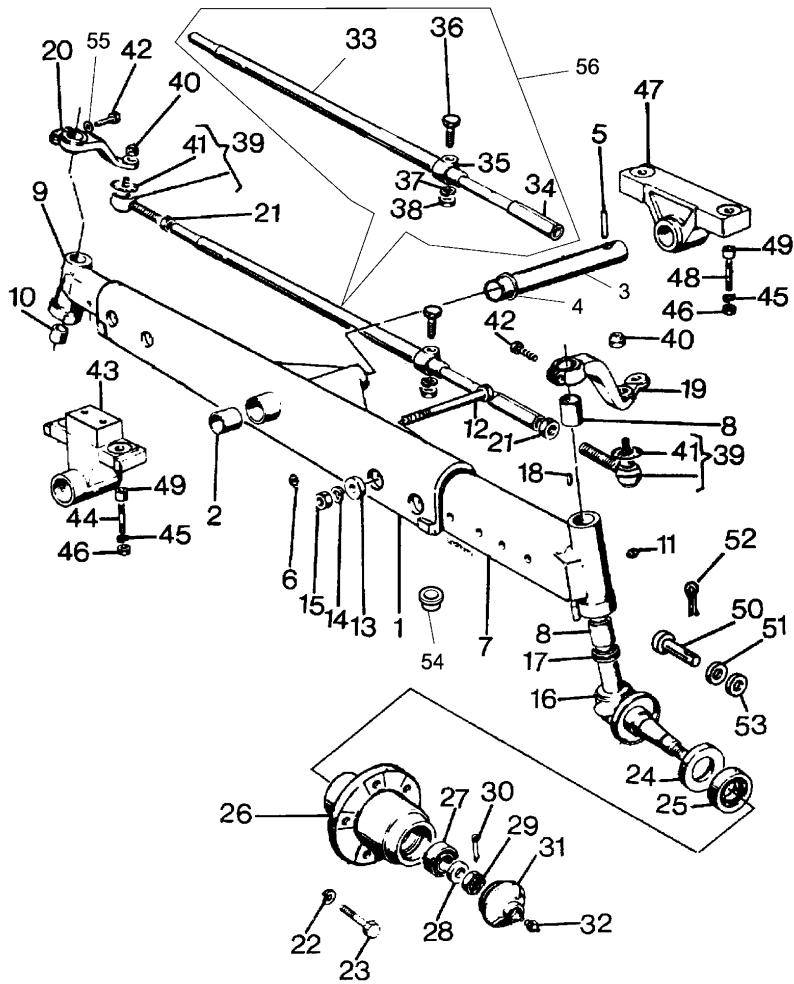
FRONT AXLE AND STEERING

J-09  
03

FRONT AXLE 2 WHEEL DRIVE - AXLE SUPPORT

Rex Tier 2 fp/cab  
desp. 80 F/GE

J0903

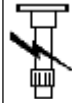


- ! THIS IS A COMPONENT OF AN ASSEMBLY
- ◊ SEE PAGE - REFERENCE NUMBER
- ⊗ SHIM
- C FASTENING WHELL
- D FRONT
- ◀ LEFT HAND
- ▶ RIGHT HAND
- T-A Replacement
- T-B Overhaul
- Y REAR

FRONT AXLE AND STEERING

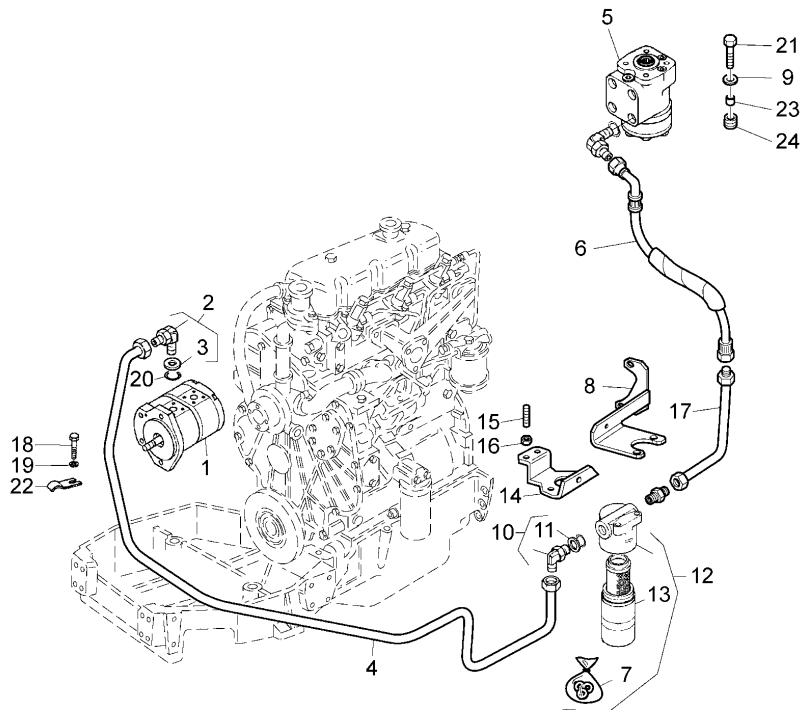
J-09  
04

STEERING HYDRAULIC LINES



J0904

Rex Tier 2 fp/cab  
desp. 80 F/GE



1	∅	P-42 02 01	1	PUMP	
2		1426265M93	1	UNION	
3	!	3019394X1	2	O RING	
4		3673620M92	1	PIPE	
5	∅	T-A 0:25 DA J-09 06 A J-09 09 01	1	VALVE	
6	∅	P-42 06 18	1	PIPE	
7	!	3615948M1	12	KIT	
8	G	3679016M91	1	STIRRUP	
9		390734X1	4	WASHER	
10		3304523M93	1	UNION	
11	!	3015165X1	10	O RING	
12		3651430M91	1	FILTER	
13	!	3540378M1	12	CARTRIDGE	
14		3673624M92	F T-A 0:50	1	STIRRUP
15		3008483X1	2	STUD	
16		3009694X1	2	NUT	
17	∅	P-42 06 05	1	PIPE	
18		339560X1	E M6X16	1	SCREW
18		339560X1	D M6X16	2	SCREW
19		339375X1	E	1	LOCK WASHE
19		339375X1	D	2	LOCK WASHE
20		3548879M1	1	WASHER	
21	●	357872X1	4213693X1 (4)	4	SCREW

FRONT AXLE AND STEERING

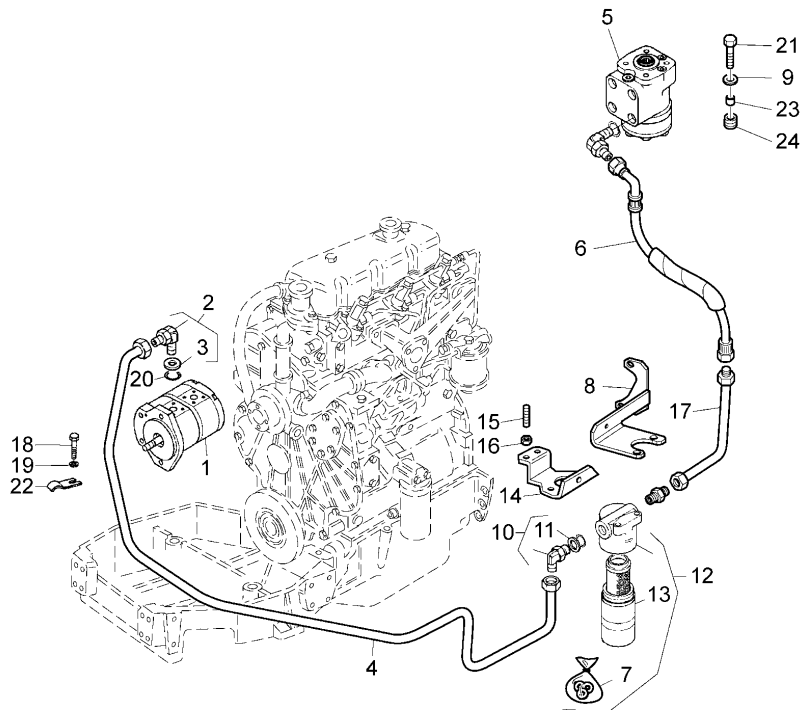
J-09  
04

STEERING HYDRAULIC LINES



J0904

Rex Tier 2 fp/cab  
desp. 80 F/GE



- |    |           |                 |   |         |
|----|-----------|-----------------|---|---------|
| 22 | 3535396M1 | E               | 1 | STIRRUP |
| 22 | 3535396M1 | D               | 2 | STIRRUP |
| 23 | 3673557M2 |                 | 4 | SPACER  |
| 24 | 3555532M1 | ● 3555532M3 (4) | 4 | PAD     |
- ! THIS IS A COMPONENT OF AN ASSEMBLY
- ☞ SEE PAGE - REFERENCE NUMBER
- D VERSION "F"
- E VERSION "GE"
- F FOR PLATFORM
- G FOR CAB
- T-A Replacement

FRONT AXLE AND STEERING

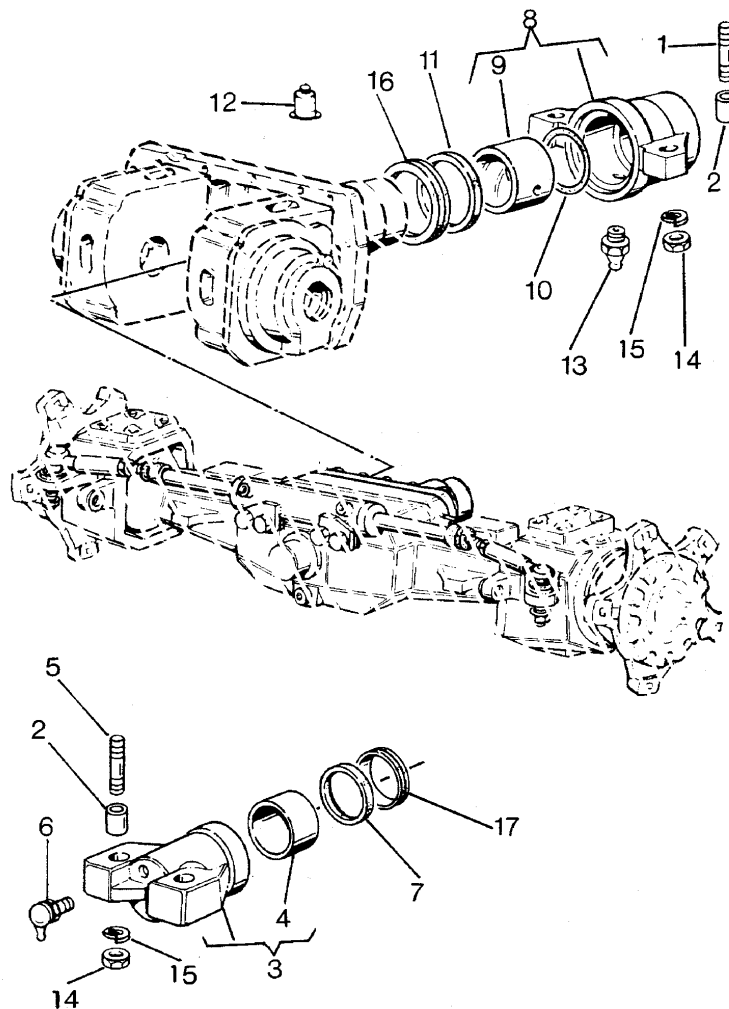
J-09  
05



J0905

Rex Tier 2 fp/cab  
desp. 80 F/GE

FRONT AXLE 4 WHEEL DRIVE - HOUSING AND SUPPORTS



1	394252X1	M18X90	2	STUD
2	1823569M1		4	BUSH
3	3538041M93	B	1	SUPPORT
4	3530244M1	! 3	1	BUSH
		T-A 1:50		
5	394251X1	M18X85	2	STUD
6	391335X1		1	GREASER
		T-A 0:25		
7	3538038M1		1	WASHER
		T-A 1:50		
8	3538043M92	C	1	SUPPORT
		T-A 1:50		
9	3426028M2	! 8	1	BUSH
		T-A 1:75		
10	1441176X1	! 8	1	RING
		T-A 1:75		
11	3531264M1		1	RING
		T-A 1:50		
12	3685113M1		999	LOCTITE
13	339608X1		1	GREASER
		T-A 0:25		
14	392335X1		4	NUT
15	1440317X1		4	LOCK WASHER
16	3015043X1		1	SEAL
		T-A 1:50		



FRONT AXLE AND STEERING

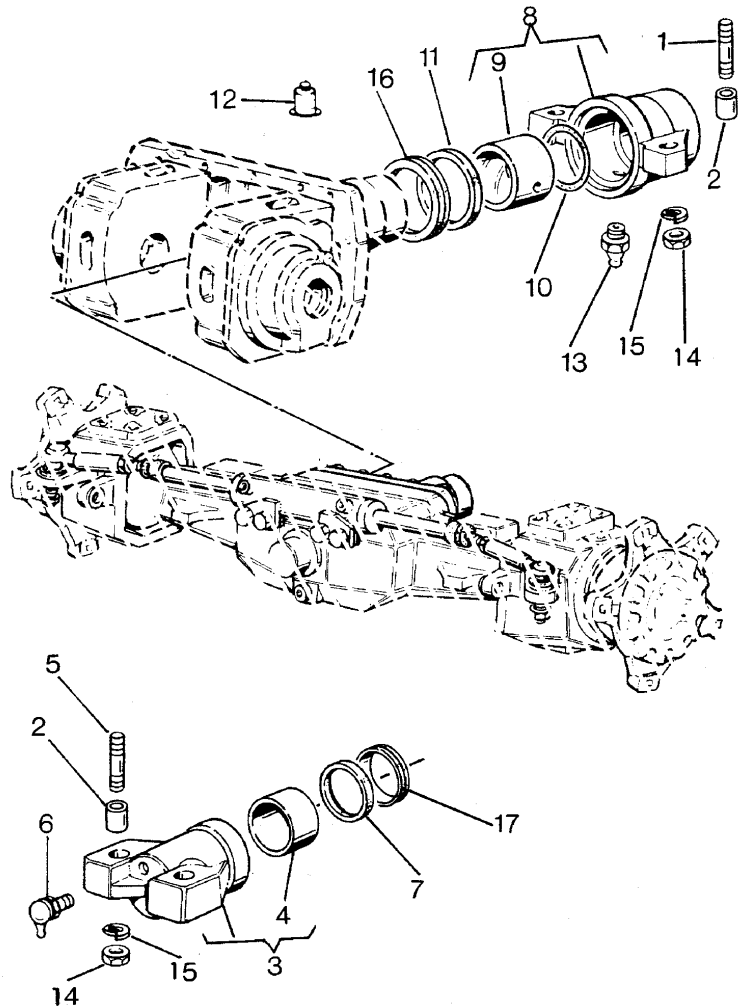
**J-09  
05**



J0905

Rex Tier 2 fp/cab  
desp. 80 F/GE

FRONT AXLE 4 WHEEL DRIVE - HOUSING AND SUPPORTS



- 17 3015337X1 T-A 1:50 1 RING
- ! THIS IS A COMPONENT OF AN ASSEMBLY
- B FRONT
- C REAR
- T-A Replacement

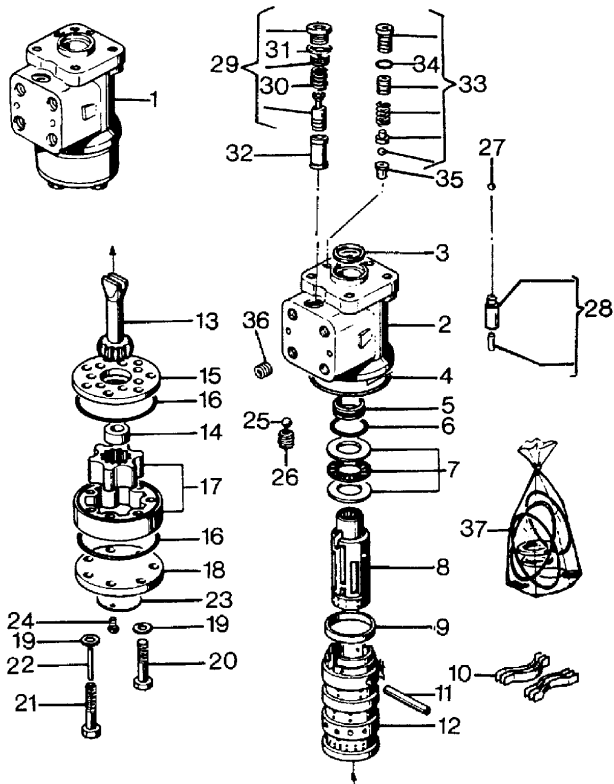
FRONT AXLE AND STEERING

J-09  
06

STEERING ORBITROL UNIT "DANFOSS" - 2 WHEEL DRIVE

Rex Tier 2 fp/cab  
desp. 80 F/GE

J0906



1	3305964M92	! 1	3671834M91 "DANFOSS" T-A 8:0 T-B 9:0	1	DISTRIBUTOR
2		! 1	REF.N.1	1	BODY
3	1887719M1	! 1	T-A 9:0	1	RING
4	1806314M1	! 1	T-A 9:0	1	RING
5	1887717M1	! 1	T-A 9:0	1	RING
6	1887718M1	! 1	T-A 9:0	1	RING
7	1894414M91	! 1	T-A 9:0	1	BEARING
8		! 1	REF.N.1	1	VALVE
9	1806303M1	! 1	T-A 9:0	1	BUSH
10	1894415M1	! 1	T-A 9:0	1	KIT
11	1806310M1	! 1	T-A 9:0	1	PIN

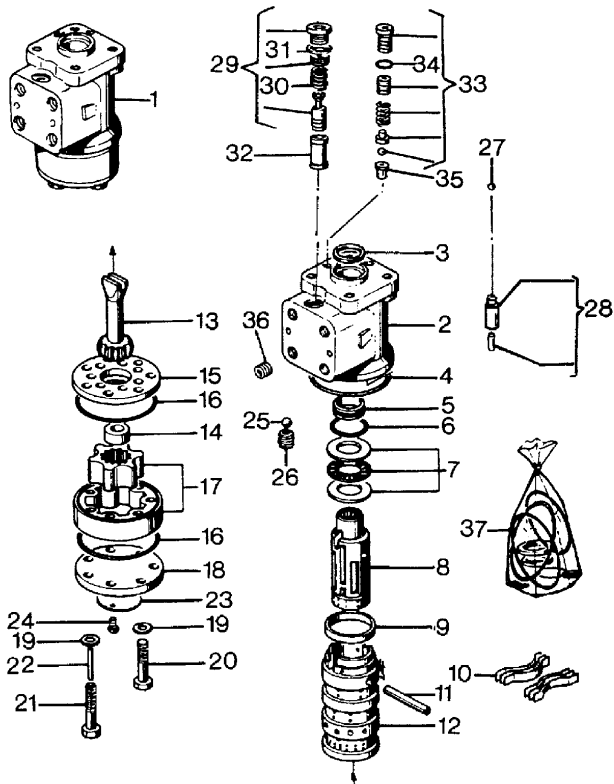
FRONT AXLE AND STEERING

J-09  
06

STEERING ORBITROL UNIT "DANFOSS" - 2 WHEEL DRIVE

Rex Tier 2 fp/cab  
desp. 80 F/GE

J0906



12	!	1	1	BODY
			REF.N.1	
13	1806416M1	!	1	SHAFT
14	1889732M1	!	1	DRIVING
			T-A 9:0	
15	1806319M1	!	1	PLATE
			T-A 9:0	
16	1806315M1	!	1	RING
			T-A 9:0	
17	1895933M91	!	1	GEAR
			T-A 9:0	
18	1806316M1	!	1	CAP
			T-A 9:0	
19	1806317M1	!	1	WASHER
20	1895935M1	!	1	SCREW
21	1895934M1	!	1	SCREW
22	1806312M1	!	1	PIN
			T-A 9:0	
23	1890402M1	!	1	PLATE
			T-A 9:0	
24	1806318M1	!	1	SCREW
25	1806311M1	!	1	BALL
			T-A 9:0	
26	1806313M1	!	1	SCREW

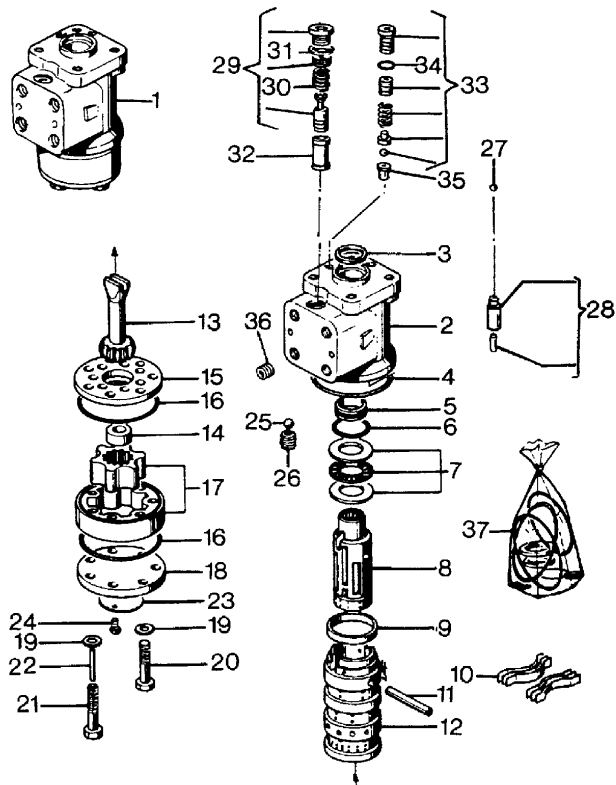
FRONT AXLE AND STEERING

J-09  
06

STEERING ORBITROL UNIT "DANFOSS" - 2 WHEE DRIVE

Rex Tier 2 fp/cab  
desp. 80 F/GE

J0906



27	1897434M1	!	1	2	BALL
			T-A 9:0		
28	1897608M91	!	1	2	PIN
			T-A 9:0		
29	1897640M91	!	1	1	VALVE
			T-A 9:0		
30	1897430M1	●	N.L.A. (1)	1	SPRING
		!	29		
			T-A 9:0		
31	1897431M1	!	29	1	RING
			T-A 9:0		
32		!	1	1	VALVE
		☞	REF.N.1		
33	1897432M91	!	1	2	VALVE
			T-A 9:0		
34	1897433M1	!	33	1	RING
			T-A 9:0		
35		!	1	2	VALVE
		☞	REF.N.1		
36		!	1	1	VALVE
		☞	REF.N.1		
37	1810503M92	●	3540570M91 (1)	1	KIT
!	THIS IS A COMPONENT OF AN ASSEMBLY				
☞	ALTERNATIVE				
☞	NOT SERVICED, ORDER				
☞	2 WHEEL DRIVE				
T-A	Replacement				
T-B	Overhaul				

FRONT AXLE AND STEERING

J-09  
07

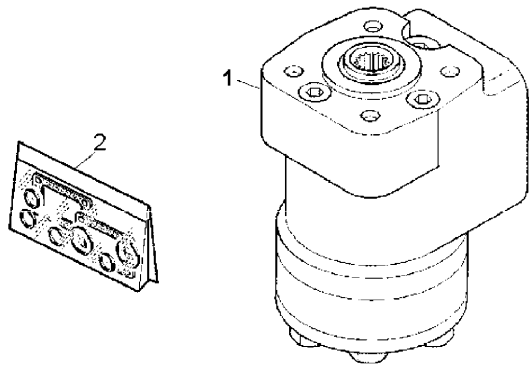
STEERING ORBITROL UNIT "REXROTH" - 2 WHEE DRIVE

Rex Tier 2 fp/cab  
desp. 80 F/GE



J0907

- |   |            |                                    |                         |   |            |
|---|------------|------------------------------------|-------------------------|---|------------|
| 1 | 3671834M91 |                                    | 3305964M92<br>"REXROTH" | 1 | DISTRIBUTO |
| 2 | 3673298M91 | !                                  | 1                       | 1 | KIT        |
|   | !          | THIS IS A COMPONENT OF AN ASSEMBLY |                         |   |            |
|   |            | ALTERNATIVE                        |                         |   |            |
|   |            | 2 WHEEL DRIVE                      |                         |   |            |



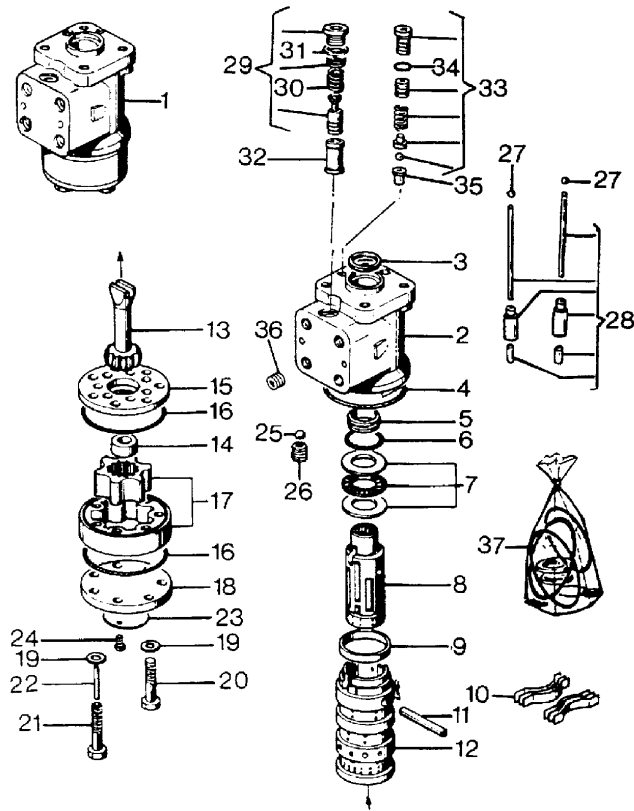
FRONT AXLE AND STEERING

J-09  
08

STEERING ORBITROL UNIT "DANFOSS" - 4 WHEELS DRIVE

Rex Tier 2 fp/cab  
desp. 80 F/GE

J0908



1	3305003M92	! H	3670782M91 "DANFOSS" T-A 5:0 T-B 6:0	1	DISTRIBUTOR
2		!	1	1	BODY
3	1887719M1	! ▸	REF.N.1	1	RING
4	1806314M1	!	1	1	RING
5	1887717M1	!	1	1	RING
6	1887718M1	!	1	1	RING
7	1894414M91	!	1	1	BEARING
8		!	1	1	VALVE
9	1806303M1	! ▸	REF.N.1	1	BUSH
10	1894415M1	!	1	1	KIT
11	1806310M1	!	1	1	PIN

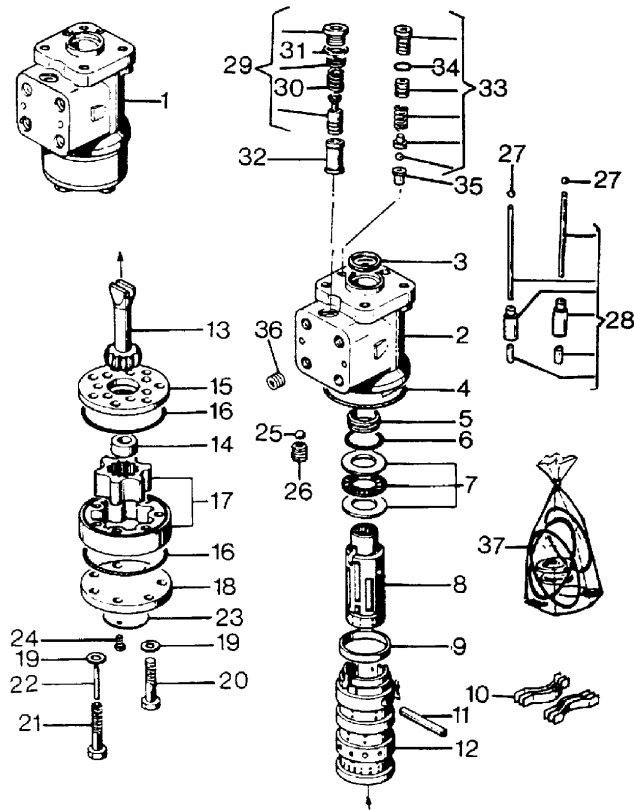
FRONT AXLE AND STEERING

J-09  
08

STEERING ORBITROL UNIT "DANFOSS" - 4 WHEELS DRIVE

Rex Tier 2 fp/cab  
desp. 80 F/GE

J0908



12	!	1	1	BODY
			REF.N.1	
13	1806416M1	!	1	SHAFT
14	1889732M1	!	1	SPACER
			T-A 9:0	
15	1806319M1	!	1	PLATE
			T-A 9:0	
16	1806315M1	!	1	RING
			T-A 9:0	
17	1889733M91	!	1	KIT
			T-A 9:0	
18	1806316M1	!	1	CAP
			T-A 9:0	
19	1806317M1	!	1	WASHER
20	1806321M1	!	1	SCREW
21	1806320M1	!	1	SCREW
22	1806312M1	!	1	PIN
			T-A 9:0	
23	1890402M1	!	1	PLATE
			T-A 9:0	
24	1806318M1	!	1	SCREW
25	1806311M1	!	1	BALL
			T-A 9:0	
26	1806313M1	!	1	SCREW

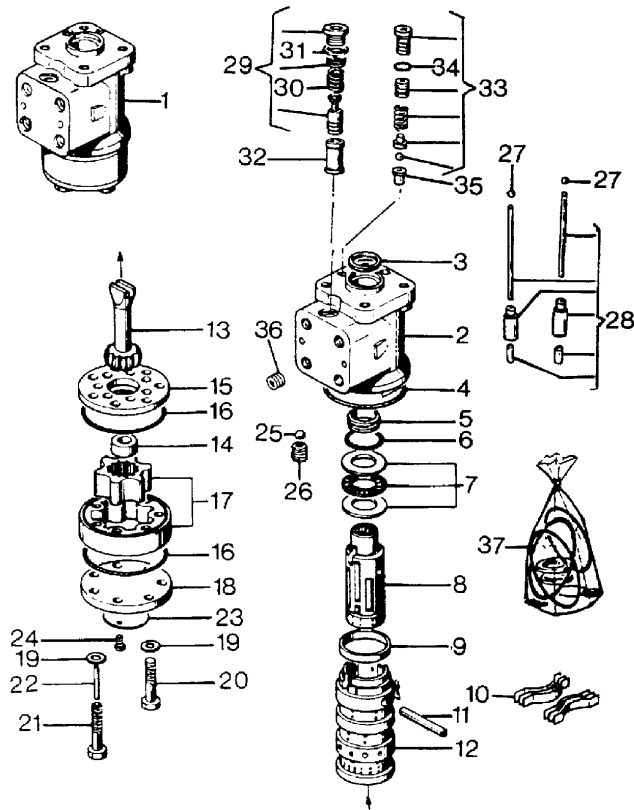
FRONT AXLE AND STEERING

J-09  
08

STEERING ORBITROL UNIT "DANFOSS" - 4 WHEELS DRIVE

Rex Tier 2 fp/cab  
desp. 80 F/GE

J0908



27	1897434M1	!	1	2	BALL
			T-A 9:0		
28	1897608M91	!	1	1	PIN
			T-A 9:0		
29	1897640M91	!	1	1	VALVE
			T-A 9:0		
30	1897430M1	●	N.L.A. (1)	1	SPRING
		!	29		
			T-A 9:0		
31	1897431M1	!	29	1	RING
			T-A 9:0		
32		!	1	1	VALVE
		▣	REF.N.1		
33	1897432M91	!	1	2	VALVE
			T-A 9:0		
34	1897433M1	!	33	1	RING
			T-A 9:0		
35		!	1	1	VALVE
		▣	REF.N.1		
36		!	1	1	VALVE
		▣	REF.N.1		
37	1810503M92	●	3540570M91 (1)	1	KIT
!	THIS IS A COMPONENT OF AN ASSEMBLY				
┌	ALTERNATIVE				
▣	NOT SERVICED, ORDER				
⊞	4 WHEEL DRIVE				
T-A	Replacement				
T-B	Overhaul				



FRONT AXLE AND STEERING




J-09  
09

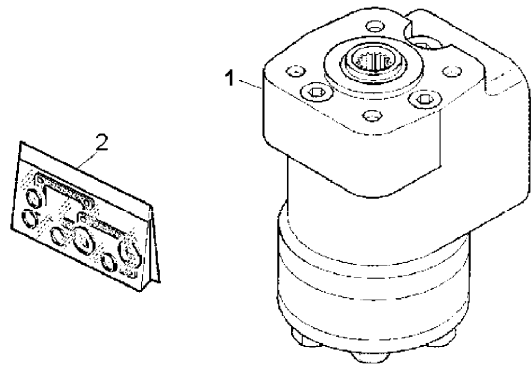
STEERING ORBITROL UNIT "REXROTH" - 4 WHEEL DRIVE

Rex Tier 2 fp/cab  
desp. 80 F/GE



J0909

- 1 3670782M91  3305003M92 (1) 1 DISTRIBUTO
- 1 3305003M92 "REXROTH"
- 2 3673298M91 ! 1 1 KIT
- ! THIS IS A COMPONENT OF AN ASSEMBLY
-  ALTERNATIVE
-  4 WHEEL DRIVE



FRONT AXLE AND STEERING

J-09  
10

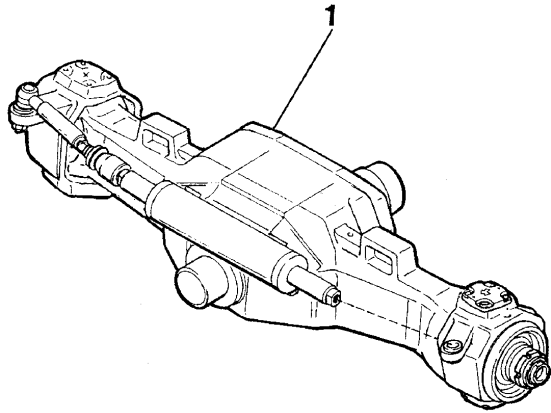


J0910

Rex Tier 2 fp/cab  
desp. 80 F/GE

FRONT AXLE 4 WHEEL DRIVE

- |     |              |          |   |      |
|-----|--------------|----------|---|------|
| 1   | 3692879M91   | D        | 1 | AXLE |
|     |              | T-A 1:50 |   |      |
| 1   | 3692882M91   | A        | 1 | AXLE |
|     |              | T-A 1:50 |   |      |
| A   | VERSION "GE" |          |   |      |
| D   | VERSION "F"  |          |   |      |
| T-A | Replacement  |          |   |      |



FRONT AXLE AND STEERING

J-09  
11

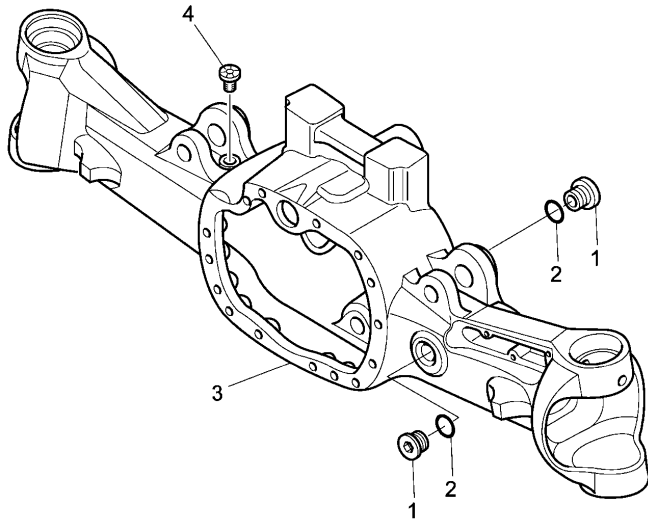


J0911

Rex Tier 2 fp/cab  
desp. 80 F/GE

FRONT AXLE 4 WHEEL DRIVE - HOUSING AND SUPPORTS

- |   |            |   |      |
|---|------------|---|------|
| 1 | 3429400M1  | 1 | PLUG |
| 2 | 3427185M1  | 1 | RING |
| 3 | 3429014M91 | 1 | BODY |
| 4 | 1823603M91 | 1 | PLUG |



FRONT AXLE AND STEERING

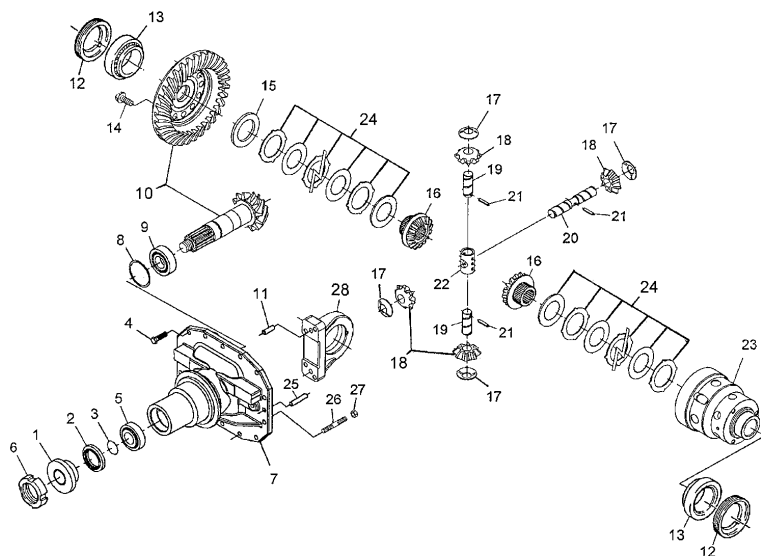
J-09  
12



J0912

Rex Tier 2 fp/cab  
desp. 80 F/GE

FRONT AXLE 4 WHEEL DRIVE - DIFFERENTIAL



1	3428920M1		1	FERRULE
		T-A 7:50		
2	3428942M1		1	SEAL
3	366434X1		1	RING
4	3428397M1		12	SCREW
5	339481X1		1	CUSCINET
		T-A 7:50		
6	2824178M1	● 4205521M1 (1)	1	NUT
		T-A 7:50		
7	4207352M1		1	SUPPORT
		T-A 7:50		
8	3428722M1	▼ 0,10MM	999	SHIM
8	3428724M1	▼ 0,30MM	999	SHIM
8	3428725M1	▼ 0,50MM	999	SHIM
8	3428726M1	▼ 0,70MM	999	SHIM
8	3428727M1	● 3428725M1 (1998) ▼ 1,00MM	999	SHIM
8	3687820M1		999	SHIM
9	3001884X1		1	BEARING
10	4207353M1	A	1	KIT
10	4207500M1	B	1	KIT
11	3764700M1		4	DOWEL
12	3428962M1		2	FERRULE
		T-A 7:25		
13	3009853X1		2	CUSCINET
		T-A 7:25		
14	4207365M1		12	SCREW

FRONT AXLE AND STEERING

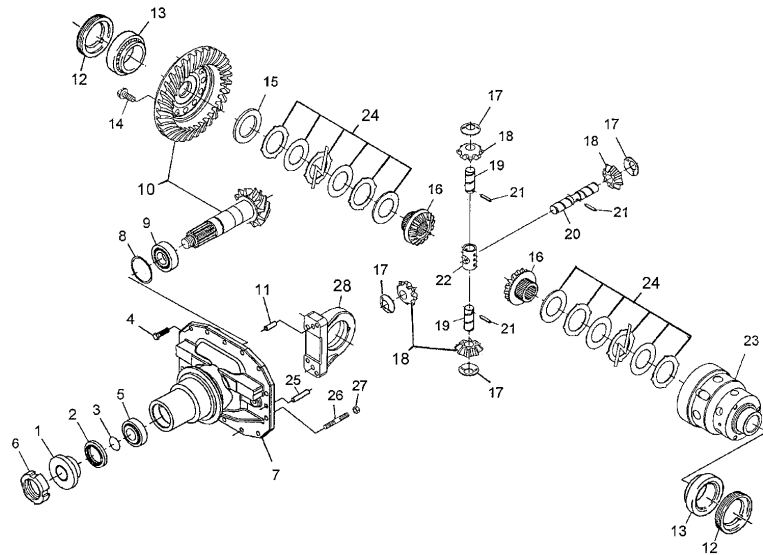
J-09  
12



J0912

Rex Tier 2 fp/cab  
desp. 80 F/GE

FRONT AXLE 4 WHEEL DRIVE - DIFFERENTIAL



15	4207366M1		1	WASHER
16	4207367M1		2	PLANETARY
17	4207368M1		4	WASHER
18	4207370M1		4	SUN GEAR
19	4207486M1		2	PIN
20	4207487M1	T-A 7:25	1	PIN
21	4207488M1	T-A 7:25	3	DOWEL
22	4207489M1	T-A 7:25	1	SPIDER
23	4207490M1	T-A 7:25	1	BOX
24	4207491M1		2	DISC
26	3765662M1		2	STUD
27	3765663M1		2	NUT
28	4207492M1		2	SUPPORT
29	393596X1	T-A 7:0	2	DOWEL
A	VERSION "F"			
⊠	SHIM			
B	VERSION "GE"			
T-A	Replacement			

FRONT AXLE AND STEERING

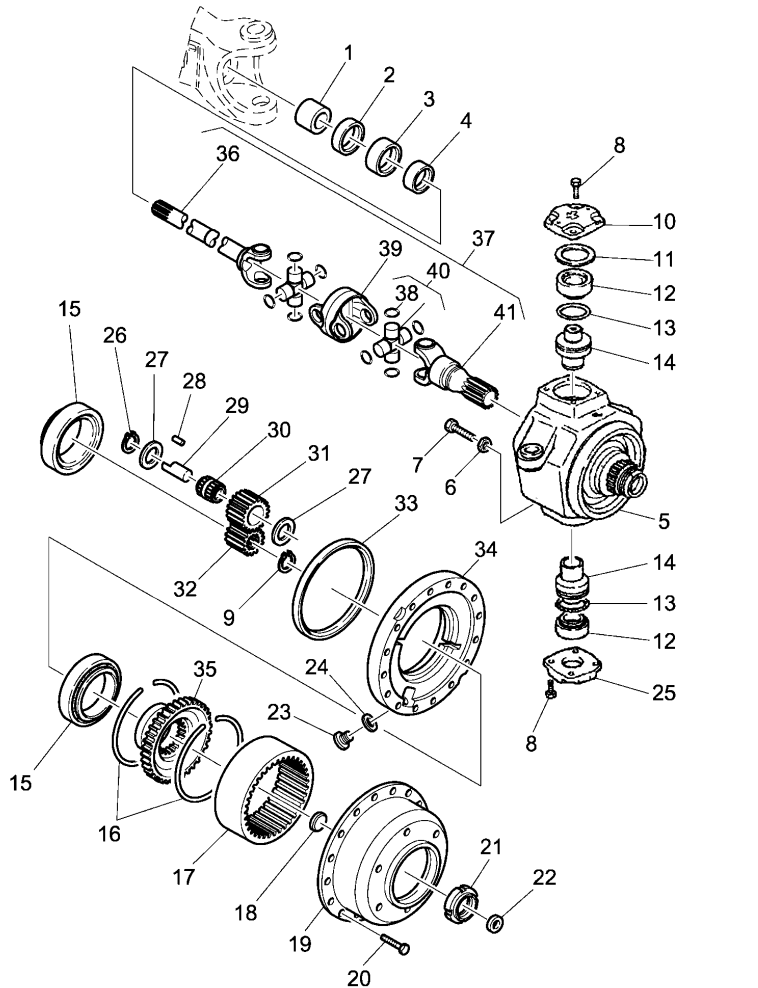
J-09  
13

FRONT AXLE 4 WHEEL DRIVE - DIFFERENTIAL



J0913

Rex Tier 2 fp/cab  
desp. 80 F/GE



1	3427184M1		2	BUSH
2	3428829M1	T-A 2:50	2	RING
3	3428521M2	T-A 2:50	2	RING
4	3764759M1		2	RING
5	3681271M91	◀ T-A 2:50	1	BOX
5	3681272M91	▶ T-A 2:50	1	BOX
6	3764827M1		2	NUT
7	3428525M1		2	SCREW
8	3428397M1		16	SCREW
9	1440524X1		2	RING
10	3427196M1		2	COVER
11	3427190M1	⚡ T-A 0:25	999	SHIM
11	3427191M1	⚡ T-A 0:25	999	SHIM
11	3427192M1	⚡ T-A 0:25	999	SHIM
11	3427193M1	⚡ T-A 0:25	999	SHIM

FRONT AXLE AND STEERING

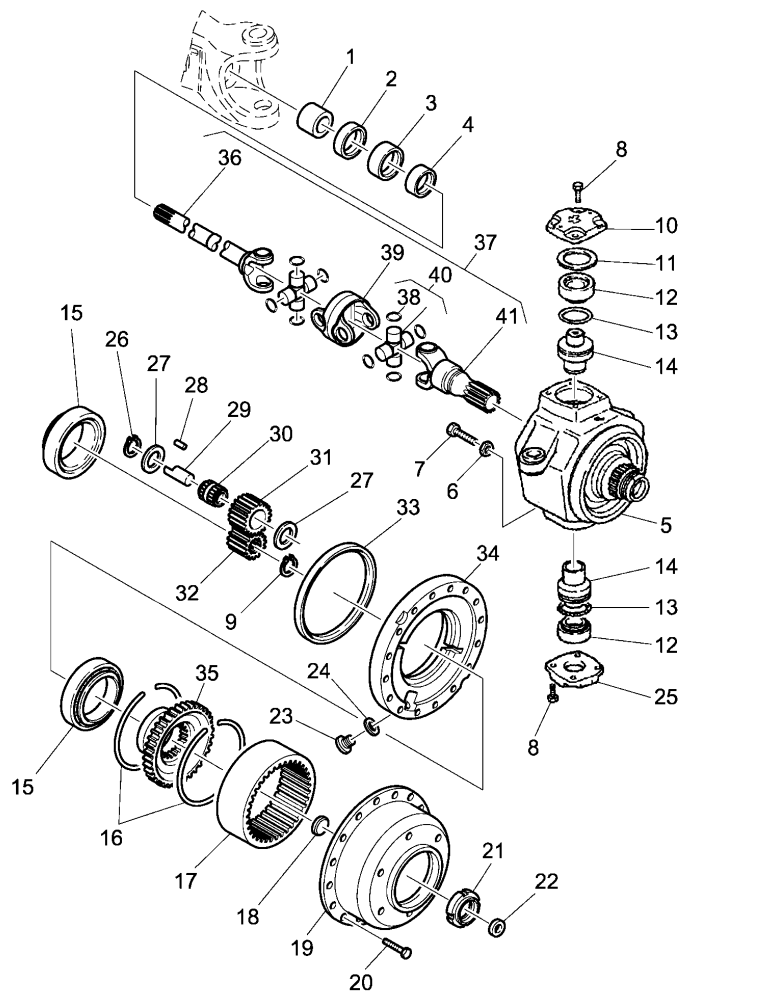
J-09  
13



J0913

Rex Tier 2 fp/cab  
desp. 80 F/GE

FRONT AXLE 4 WHEEL DRIVE - DIFFERENTIAL

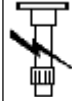


- |    |           |   |               |              |
|----|-----------|---|---------------|--------------|
| 11 | 3427194M1 | ✕ | 0,70MM        | 999 SHIM     |
|    |           |   | T-A 0:25      |              |
| 11 | 3427195M1 | ✕ | 1,00MM        | 999 SHIM     |
|    |           |   | T-A 0:25      |              |
| 12 | 3009131X1 |   | T-A 0:75      | 4 CUSCINET   |
| 13 | 3019943X1 |   | T-A 0:75      | 4 RING       |
| 14 | 3427425M2 |   | T-A 0:75      | 4 PIN        |
| 15 | 3427769M1 |   | T-A 2:50      | 4 CUSCINET   |
| 16 | 3428523M1 |   | T-A 1:75      | 4 RING       |
| 17 | 3764731M1 |   | T-A 2:0       | 2 CROWNWHEEL |
| 18 | 3426771M1 | ● | 3557987M2 (2) | 2 WASHER     |
| 19 | 3766349M1 |   | T-A 1:50      | 2 SUPPORT    |
| 20 | 1440965X1 |   |               | 32 SCREW     |
| 21 | 3764744M1 |   | T-A 1:0       | 2 FERRULE    |
| 22 | 3764745M1 |   | T-A 1:0       | 2 WASHER     |

FRONT AXLE AND STEERING

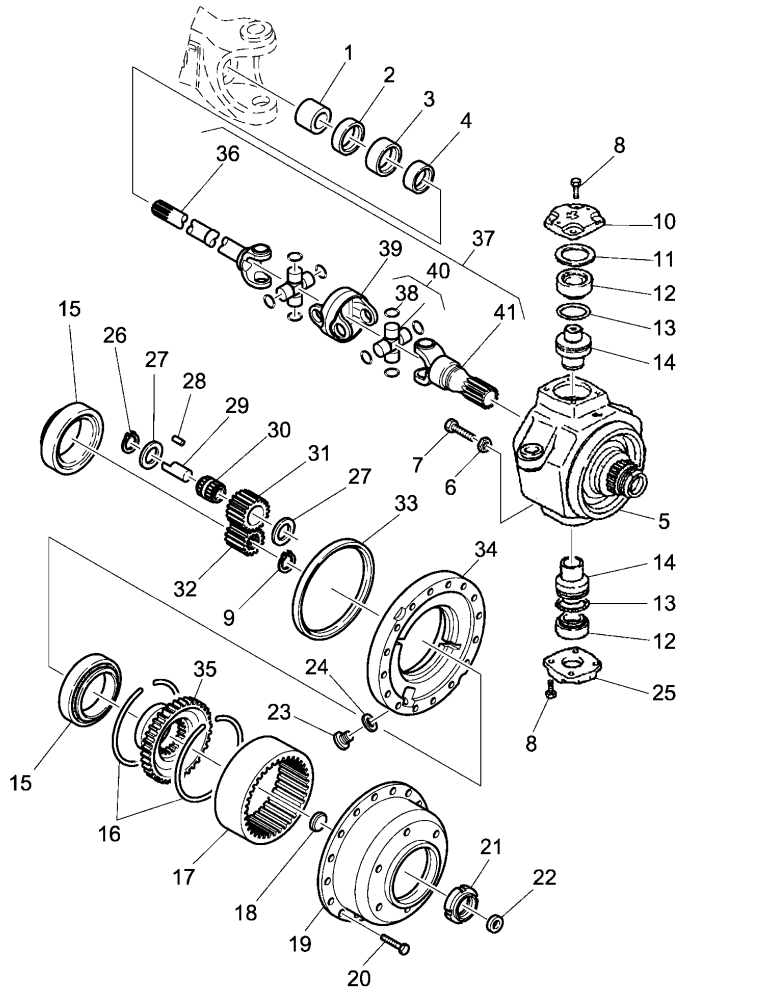
J-09  
13

FRONT AXLE 4 WHEEL DRIVE - DIFFERENTIAL



J0913

Rex Tier 2 fp/cab  
desp. 80 F/GE



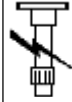
23	3428230M1		2	PLUG
24	3427185M1		2	RING
25	3427197M1		2	FLANGE
		T-A 0:25		
26	3765179M2		6	RING
27	3765235M1	T-A 1:50	12	WASHER
28	3764823M1	T-A 1:50	6	ROLLER
29	3765196M1	T-A 1:50	6	PIN
30	3764748M1	T-A 1:50	6	CAGE
31	3764730M1	T-A 1:50	6	SUN GEAR
32	3764729M1	T-A 1:50	2	PINION
33	3764634M1	T-A 2:75	2	SEAL
34	3765189M1	T-A 2:0	2	HUB
35	3764732M1	T-A 2:50	2	FLANGE
36	4207494M1	! 37	1	YOKE
		T-A 3:0		



FRONT AXLE AND STEERING

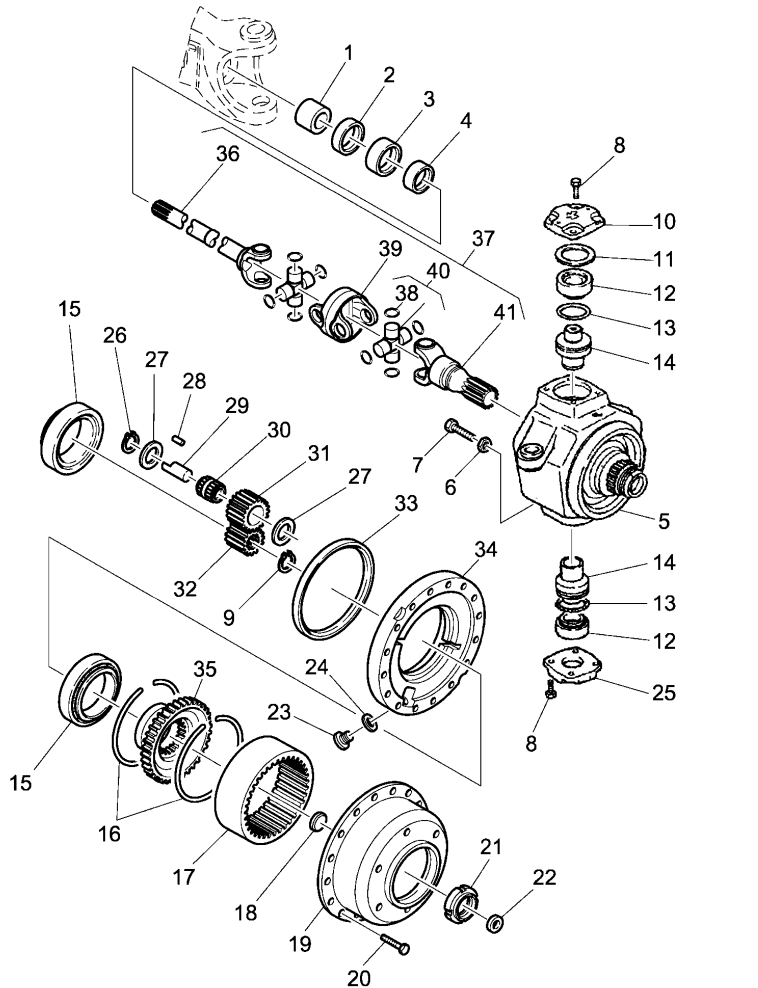
J-09  
13

FRONT AXLE 4 WHEEL DRIVE - DIFFERENTIAL



J0913

Rex Tier 2 fp/cab  
desp. 80 F/GE



- |    |            |             |   |           |
|----|------------|-------------|---|-----------|
| 37 | 4207493M1  |             | 2 | HALFSHAFT |
| 38 |            | ! 40        | 8 | RING      |
|    |            | ▶ REF. N.40 |   |           |
| 39 | 3689110M1  | ! 37        | 1 | BODY      |
|    |            | T-A 3:0     |   |           |
| 40 | 3689127M91 | ! 37        | 2 | SPIDER    |
|    |            | T-A 3:0     |   |           |
| 41 | 3689109M1  | ! 37        | 1 | YOKE      |
|    |            | T-A 3:0     |   |           |
- ! THIS IS A COMPONENT OF AN ASSEMBLY
- ▶ NOT SERVICED, ORDER
- ◀ SHIM
- ◀ LEFT HAND
- ▶ RIGHT HAND
- T-A Replacement

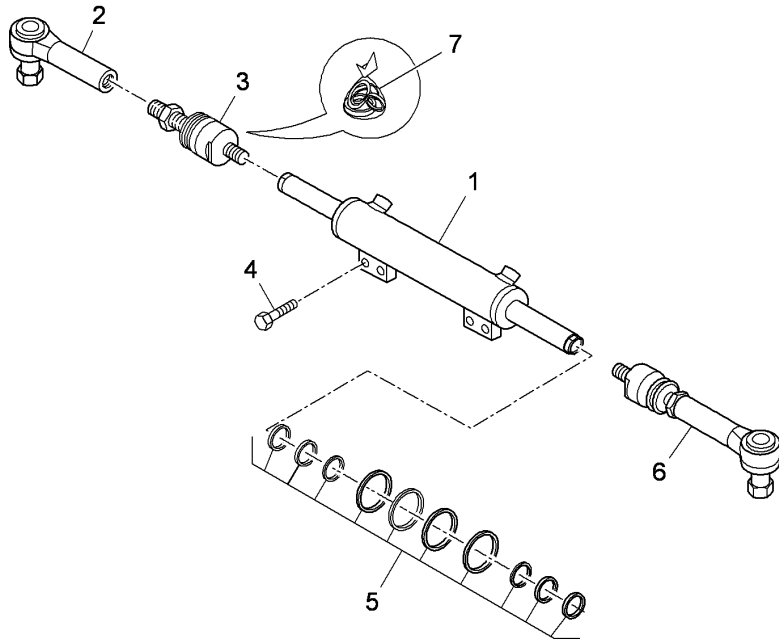
FRONT AXLE AND STEERING

J-09  
14

FRONT AXLE 4 WHEEL DRIVE - STEERING CYLINDER

Rex Tier 2 fp/cab  
desp. 80 F/GE

J0914



- |   |            |                |   |             |
|---|------------|----------------|---|-------------|
| 1 | 4207495M1  |                | 1 | CYLINDER    |
|   |            | T-A 1:50       |   |             |
| 2 | 3428457M1  |                | 1 | TIE ROD     |
|   |            | T-A 0:75       |   |             |
| 3 | 3426312M1  |                | 1 | BALL JOINT  |
|   |            | T-A 0:25       |   |             |
| 4 | 3428397M1  |                | 4 | SCREW       |
| 5 | 3765401M91 | ↖              | 1 | KIT         |
|   |            | 3765513M91     |   |             |
|   |            | "OGNIBENE"     |   |             |
|   |            | T-A 2:0        |   |             |
| 5 | 3765513M91 | ●              | 1 | KIT         |
|   |            | 3623120M91 (1) |   |             |
|   |            | ↖              |   |             |
|   |            | 3765401M91     |   |             |
|   |            | "PACOMA"       |   |             |
| 6 | 4207496M1  |                | 1 | ROD         |
| 7 | 3311576M91 |                | 1 | KIT         |
|   |            | ↖              |   |             |
|   |            | ALTERNATIVE    |   |             |
|   |            | T-A            |   | Replacement |

FRONT AXLE AND STEERING

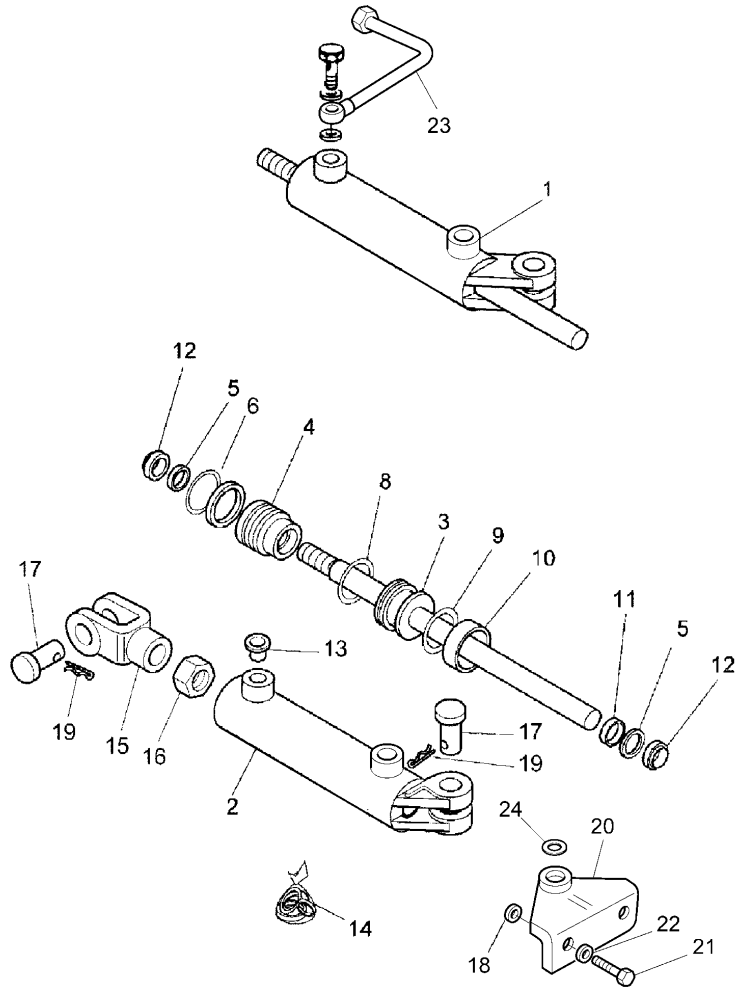
J-09  
15

STEERING CYLINDER - 2 WHEEL DRIVE



J0915

Rex Tier 2 fp/cab  
desp. 80 F/GE



1	3676013M91	∅ 22 MM T-A 0:50 T-B 1:50	1	CYLINDER
2		!	1	BARREL
		➤ REF. N.1 T-A 1:50		
3		!	1	STEM
		➤ REF. N.1 T-A 1:50		
4	3649409M1	!	1	HEAD
5	3649443M1	!	1	SEAL
		T-A 1:50		
6	1748053M1	!	1	RING
		T-A 1:50		
7	1442710X1	!	1	INSTANT GA
		T-A 1:50		
8	3314297M1	!	1	RING
		T-A 1:50		
9	1606842M1	● 3484839M1 (1) !	1	RING
		T-A 1:50		
10	1606843M1	!	1	GUIDE
		T-A 1:50		

FRONT AXLE AND STEERING

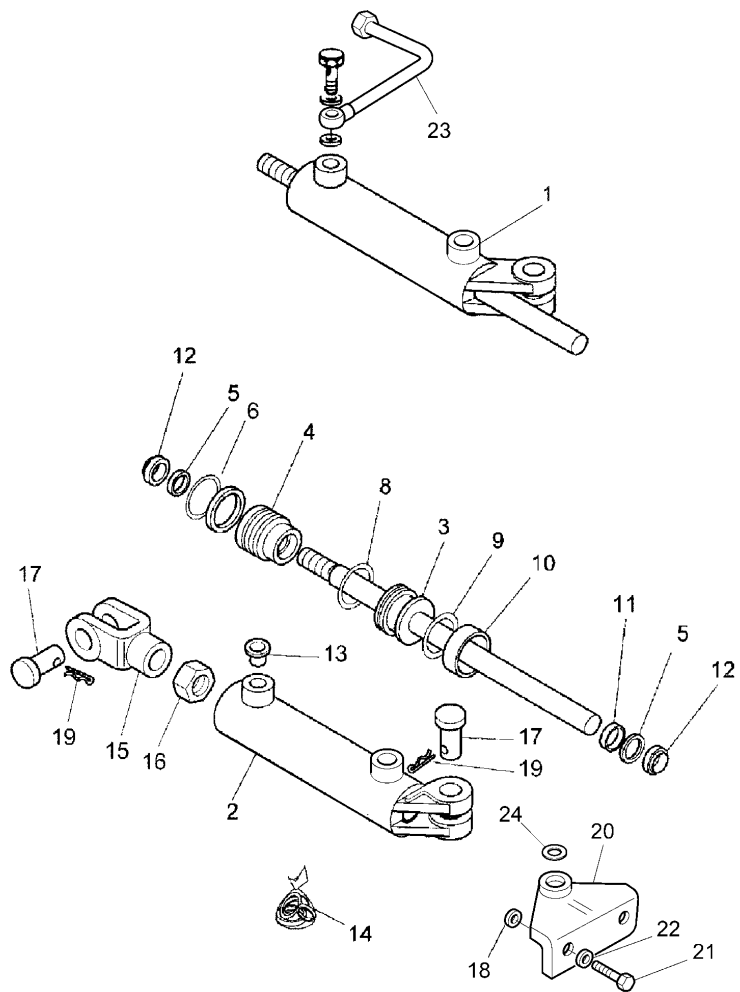
J-09  
15

STEERING CYLINDER - 2 WHEEL DRIVE



J0915

Rex Tier 2 fp/cab  
desp. 80 F/GE



11	3649649M1	!	1	1 RING
			T-A 1:50	
12	3015208X1	!	1	2 RING
			T-A 1:50	
13	1815242M1	!	1	2 PLUG
14	3654633M91	!	1	1 KIT
15	3649660M1			1 YOKE
			T-A 1:50	
16	1441246X1			1 NUT
17	3427198M3			2 PIN
			T-A 0:25	
18	391382X1			2 WASHER
19	1442973X1	●	391423X1 (2)	2 LINCH PIN
20	3559786M2			1 SUPPORT
			T-A 1:50	
21	339275X1		M16X35	2 SCREW
22	391414X1			2 LOCK WASHE
23		⊕	P-42 06 15	1 PIPE
24	339328X1	●	3304452M1 (1)	1 WASHER
!	THIS IS A COMPONENT OF AN ASSEMBLY			
⊕	SEE PAGE - REFERENCE NUMBER			
🚫	NOT SERVICED, ORDER			
🚚	2 WHEEL DRIVE			
∅	DIAMETER			
T-A	Replacement			
T-B	Overhaul			

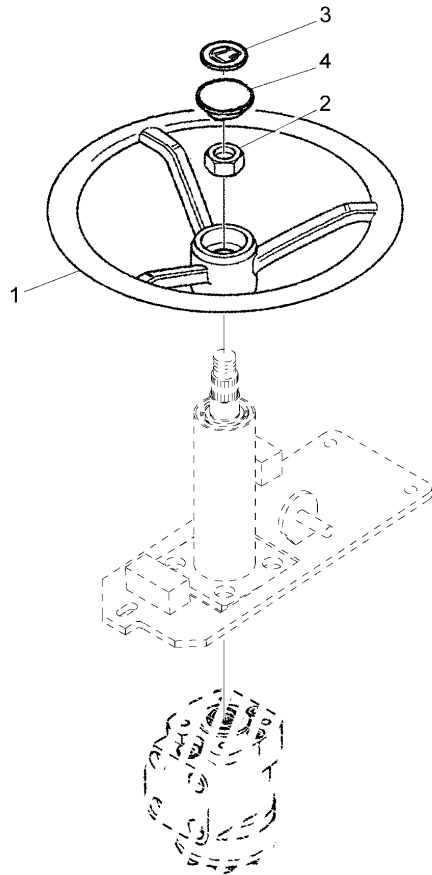
FRONT AXLE AND STEERING

J-09  
16

STEERING WHEEL AND COLUMN

Rex Tier 2 fp/cab  
desp. 80 F/GE

J0916



1	3539315M92	C	1	STEERING W
1	3548203M91	A	1	STEERING W
		T-A 0:50		
2	1441246X1		1	NUT
3	3652432M1		1	MEDALLION
		T-A 0:25		
4	3539316M1	C	1	COVER
4	3652470M1	A	1	COVER
A		VERSION "F"		
C		VERSION "GE"		
T-A		Replacement		

FRONT AXLE AND STEERING

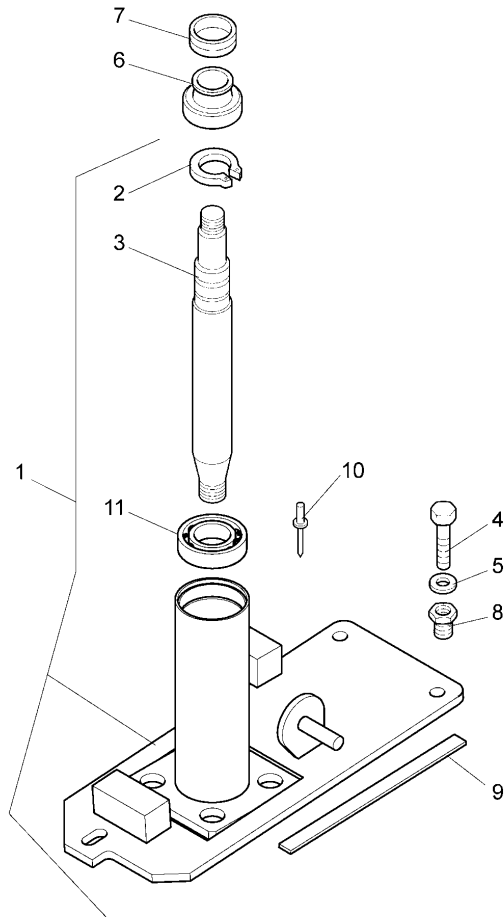
J-09  
17

FIXED STEERING - COLUMN



J0917

Rex Tier 2 fp/cab  
desp. 80 F/GE



1	3692827M92		1	COLUMN
2	1440476X1	!	1	RING
3	3672500M1	!	1	SHAFT
			T-A 1:0	
4	339123X1		3	SCREW
5	339374X1		3	LOCK WASHER
6	3675485M1		1	BELLOWS
7	3674447M1		1	CHOCK
8	3665878M1		3	INSERT
9	3683364M1	A	1	GASKET
10	3673122M1	A	4	RIVET
11	3692768X1	!	1	CUSCINET
!	THIS IS A COMPONENT OF AN ASSEMBLY			
A	WITH CAB			
T-A	Replacement			

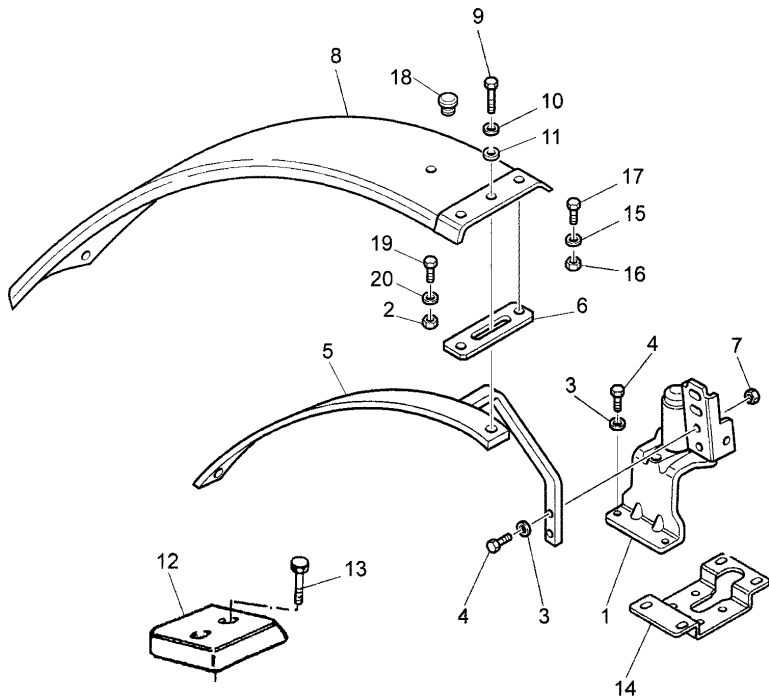
FRONT AXLE AND STEERING

J-09  
18

FENDERS - FRONT

Rex Tier 2 fp/cab  
desp. 80 F/GE

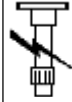
J0918



- |   |            |   |   |              |    |         |
|---|------------|---|---|--------------|----|---------|
| 1 | 3675888M91 | ▶ | ■ |              | 1  | SUPPORT |
| 1 | 3675889M91 | ◀ |   | T-A 0:50     | 1  | SUPPORT |
| 2 | 392310X1   |   |   | T-A 0:50     | 8  | NUT     |
| 3 | 1440314X1  |   |   |              | 8  | WASHER  |
| 3 | 390734X1   |   |   |              | 16 | WASHER  |
| 4 | 3009493X1  |   |   | M10X30       | 8  | SCREW   |
| 5 | 3675890M91 | ◀ |   |              | 1  | FRAME   |
|   |            |   |   | A            |    |         |
|   |            |   |   | T-A 0:50     |    |         |
| 5 | 3675891M91 | ▶ |   |              | 1  | FRAME   |
|   |            |   |   | A            |    |         |
|   |            |   |   | T-A 0:50     |    |         |
| 5 | 3675894M91 | ◀ |   |              | 1  | FRAME   |
|   |            |   |   | B            |    |         |
|   |            |   |   | T-A 0:50     |    |         |
| 5 | 3675896M91 | ▶ |   |              | 1  | FRAME   |
|   |            |   |   | B            |    |         |
|   |            |   |   | T-A 0:50     |    |         |
| 6 | 4205493M1  |   |   |              | 4  | PLATE   |
| 7 | 3009693X1  | ● |   | 339402X1 (8) | 8  | NUT     |
|   |            |   |   | M10          |    |         |
| 8 | 3676198M2  |   |   | B            | 2  | FENDER  |
|   |            |   |   | T-A 0:25     |    |         |
| 8 | 3676199M1  |   |   | A            | 2  | FENDER  |
|   |            |   |   | T-A 0:25     |    |         |

FRONT AXLE AND STEERING

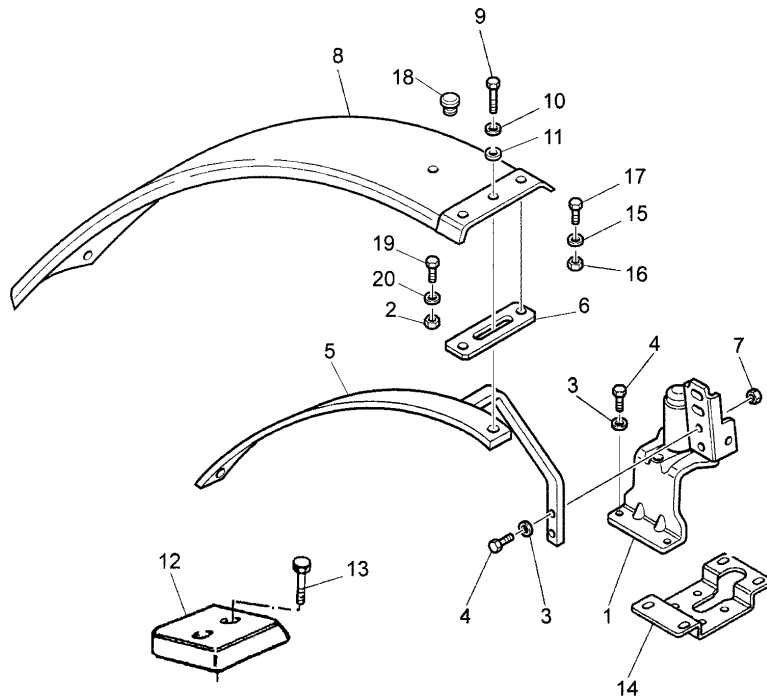
**J-09**  
**18**



J0918

Rex Tier 2 fp/cab  
desp. 80 F/GE

FENDERS - FRONT



9	339401X1	M10X25	6	SCREW
10	1440314X1		6	WASHER
11	390734X1		6	WASHER
12	3547636M2	C	2	SPACER
		T-A 0:25		
13	390580X1	C	4	SCREW
14	3656156M91		2	PLATE
		T-A 0:50		
15	390597X1		8	WASHER
16	1440329X1	M10	4	NUT
17	3009495X1	● 339018X1 (4) M10X40	4	SCREW
18	3304199M1	B	4	PLUG
19	3001197X1	M10X20	8	SCREW
20	1440314X1		8	LOCK WASHE
A	WITH FRONT 7.50-16;6.50-16;7.50-18;7.50-20;9.00/75-16;8.25-16.; 6.00-16			
B	WITH FRONT 280/70-18; 280/70-16; 260/70-16; 260/70-20; 260/70-18; 280/65-16			
☐	4 WHEEL DRIVE			
C	WITHOUT FRONT FENDER			
◀	LEFT HAND			
▶	RIGHT HAND			
T-A	Replacement			



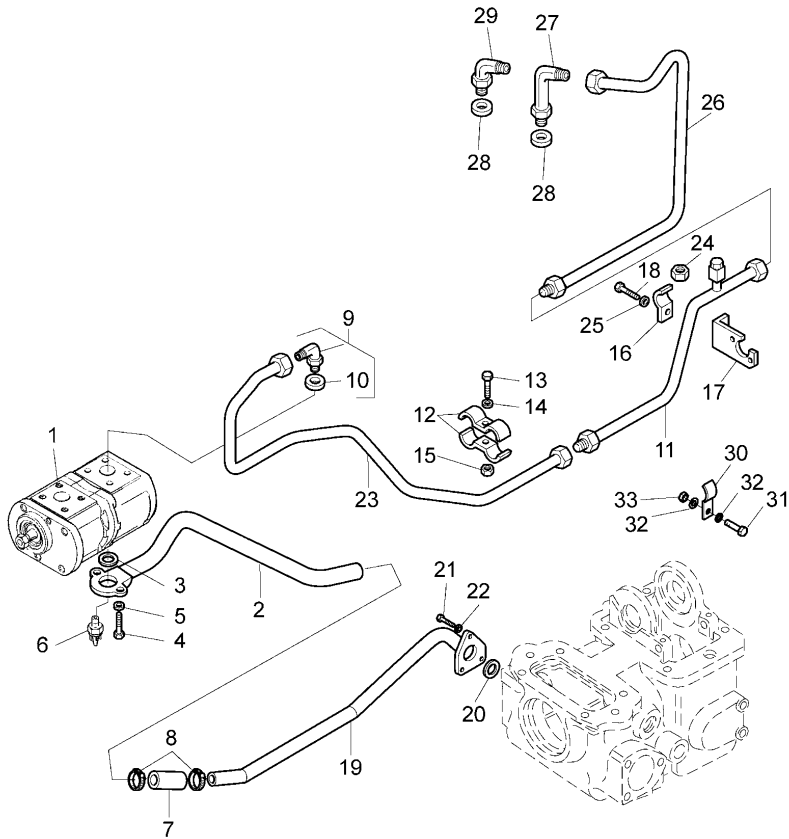
HYDRAULICS AND LINKAGE

P-42  
01

HYDRAULICS EQUIPMENT - "PIPING AND PUMP"

Rex Tier 2 fp/cab  
desp. 80 F/GE

P4201



1	⊕ P-42 02 01	1 PUMP
2	3678844M91	1 PIPE
	T-A 0:50	
3	371468X1	1 O RING
4	390796X1	2 SCREW
5	339374X1	2 WASHER
6	3663168M1	1 DEPRESSION
7	3649911M2	1 MANICOTT
8	1442232X1	2 CLAMP
9	3656164M92	1 UNION
10	3015163X1 ! 9	1 O RING
11	3675044M91	1 PIPE
	T-A 0:50	
12	3656272M1	4 STIRRUP
13	339337X1	2 SCREW
14	339374X1	2 LOCK WASHER
15	339169X1 ● 394367X1 (2)	2 NUT
16	3655842M1	1 STIRRUP
17	3671726M2	1 STIRRUP
18	339401X1	1 SCREW
19	3678843M91	1 PIPE
	T-A 0:50	
20	366544X1	1 O RING
	T-A 0:50	
21	3009493X1	3 SCREW
22	1440314X1	3 LOCK & SEA
23	3671707M92	1 PIPE
24	356580X1	1 COVER
25	339375X1	1 LOCK WASHE

HYDRAULICS AND LINKAGE

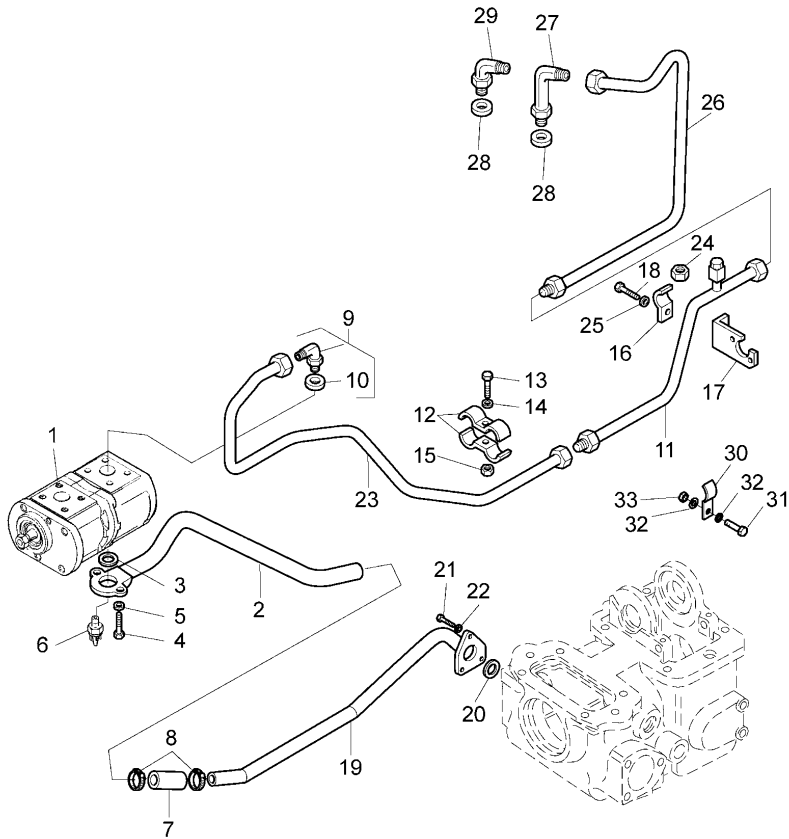
P-42  
01

HYDRAULICS EQUIPMENT - "PIPING AND PUMP"

Rex Tier 2 fp/cab  
desp. 80 F/GE



P4201



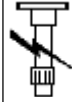
26	3692824M91	B	1	PIPE
26	3692927M91	B	1	PIPE
		D		
27	3693523M91	A	1	EXTENSION
28	390855X1		1	WASHER
29	3307627M93	B	1	UNION
30	1825173M1		2	CLAMP
31	1441914X1	M6X18	1	SCREW
32	390971X1		2	WASHER
33	1442021X1		1	NUT

- ! THIS IS A COMPONENT OF AN ASSEMBLY
- ⊕ SEE PAGE - REFERENCE NUMBER
- A WITH HYDRAULIQUE TRAILER BRAKING SYSTEM
- B WITHOUT HYDRAULIC TRAILER BRAKING SYSTEM
- D WITH 1 DISTRIBUTOR
- T-A Replacement

HYDRAULICS AND LINKAGE

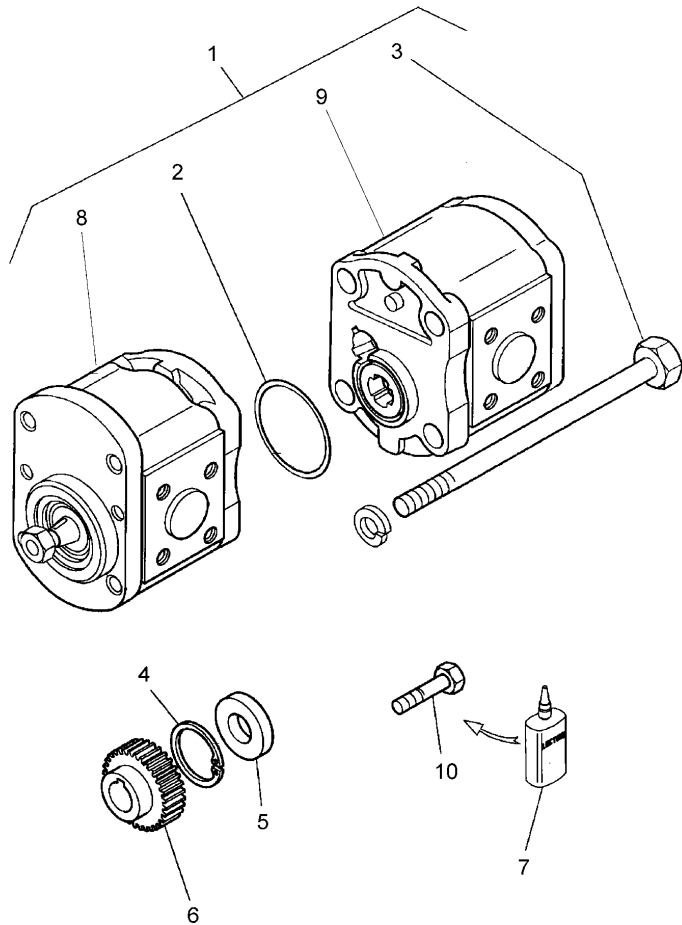
P-42  
02

HYDRAULIC PUMP - DOUBLE BODY - "BOSCH"



P4202

Rex Tier 2 fp/cab  
desp. 80 F/GE



1	3652099M91	"BOSCH"	1	PUMP
		T-A 1:0		
2	3651626M1	!	1	1 O RING
3	3657961M1	!	1	4 SCREW
4	3541155M1	●	1718961M1 (1)	1 RING
		!	1	
			T-A 1:0	
5	1442486X1	!	1	1 CIRCLIP
6	3671697M3			1 GEAR
			T-A 1:0	
7	3308788M1			999 LOCTITE
8	3657959M91	●	3652099M91 (1)	1 PUMP
		!	1	
9	3657960M91	●	3652099M91 (1)	1 PUMP
		!	1	
10	354272X1			2 SCREW
!	THIS IS A COMPONENT OF AN ASSEMBLY			
T-A	Replacement			

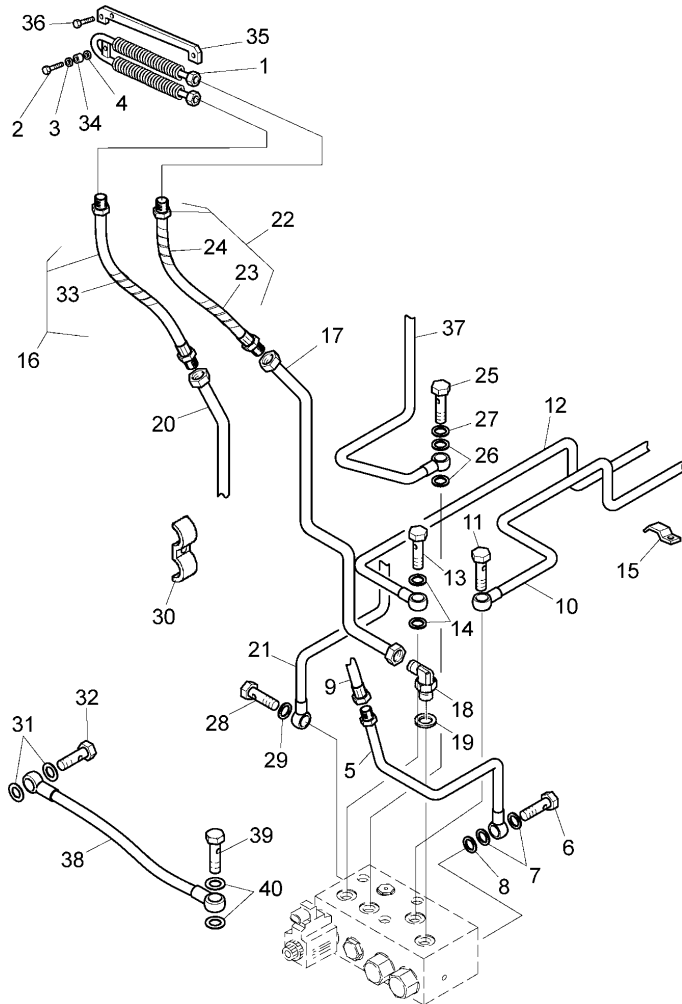
HYDRAULICS AND LINKAGE

P-42  
03

HYDRAULICS EQUIPMENT - PIPINGS AND PUMP - HEAT EXCHANGER

Rex Tier 2 fp/cab  
desp. 80 F/GE

P4203



1	3656514M91	●	3665941M92 (1)	1	EXCHANGER
			T-A 0:50		
			M6X30		
2	3019057X1			2	SCREW
3	339375X1			2	LOCK WASHE
4	390971X1			2	WASHER
5	3694278M91			1	PIPE
6	3553615M2			1	FILLER
7	395592X1			2	GASKET
8	3548877M1			1	WASHER
9	3694270M91			1	PIPE
10		◇	E-04 05 15	1	PIPE
11		◇	E-04 05 16	1	FILLER
12	3692773M92			1	PIPE
13	3553615M2	■		1	FILLER
14	395592X1	■		2	GASKET
15	3673548M1			1	STIRRUP
16	3675989M92			1	PIPE
17	3692777M91	E		1	PIPE
18	3304523M93			1	UNION
19	3548879M1			1	WASHER
20	3674673M91	◇	P-42 08 02	1	PIPE
21	3692776M91			1	PIPE
22	3678443M91			1	PIPE
23	3675913M1	!	22	1	SHEATH
24	3675990M1	!	22	1	SHEATH
25	3553615M2	■		1	FILLER
26	395592X1	■		2	GASKET
27	3548877M1	■		1	WASHER
28	3684030M91			1	UNION
29	3302820M1			1	WASHER
30	3678858M91			1	STIRRUP
31	3554591M1	■		2	GASKET

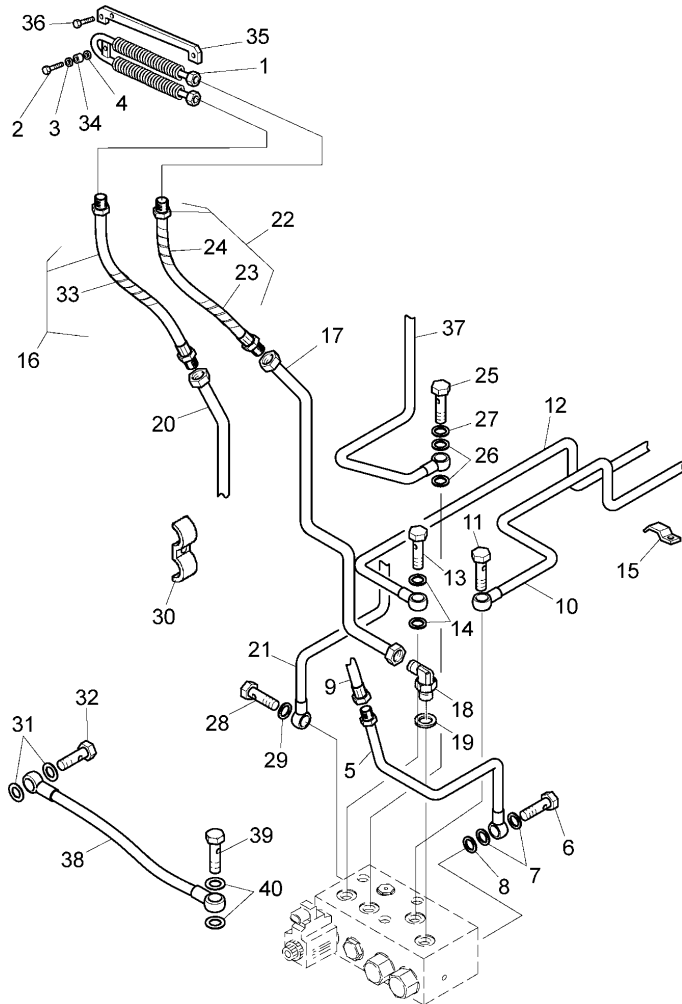
HYDRAULICS AND LINKAGE

P-42  
03

HYDRAULICS EQUIPMENT - PIPINGS AND PUMP - HEAT EXCHANGER

Rex Tier 2 fp/cab  
desp. 80 F/GE

P4203



- |    |            |              |   |           |
|----|------------|--------------|---|-----------|
| 32 | 394209X1   | ⊞            | 1 | UNION     |
| 33 | 3675915M1  | ! 16         | 1 | SHEATH    |
| 34 | 3532923M1  |              | 2 | SPACER    |
| 35 | 3674271M1  |              | 1 | SUPPORT   |
| 36 | 339560X1   | M6X16        | 2 | SCREW     |
| 37 |            | ⊞ P-42 05 14 | 1 | PIPE      |
| 38 | 3692914M91 | ⊞            | 1 | HYDR HOSE |
| 39 | 3694223M1  | ⊞            | 1 | FILLER    |
| 40 | 395592X1   | ⊞            | 2 | GASKET    |
- ! THIS IS A COMPONENT OF AN ASSEMBLY
- ⊞ SEE PAGE - REFERENCE NUMBER
- ⊞ 4 WHEEL DRIVE
- ⊞ 2 WHEEL DRIVE
- E TO HEAT EXCHANGER
- T-A Replacement

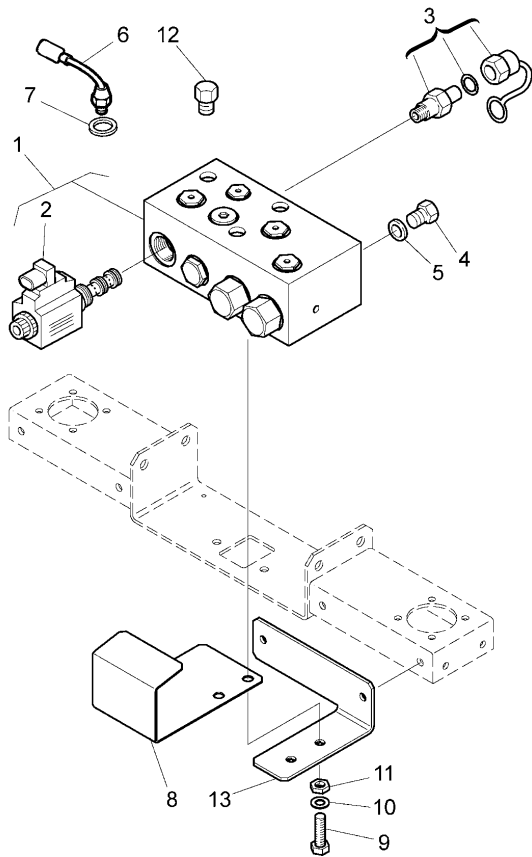
HYDRAULICS AND LINKAGE

P-42  
04

HYDRAULICS EQUIPMENT - VALVE

Rex Tier 2 fp/cab  
desp. 80 F/GE

P4204



- |    |            |                |   |            |
|----|------------|----------------|---|------------|
| 1  | 3697269M91 |                | 1 | BLOCK      |
| 2  | 3685238M91 | !              | 1 | VALVE      |
| 3  | 3654023M91 |                | 1 | HITCH      |
| 4  | 3654483M1  |                | 2 | PLUG       |
| 5  | 3542937M1  |                | 2 | WASHER     |
| 6  | 3666583M91 |                | 1 | PRESSURE S |
| 7  | 3542937M1  |                | 1 | WASHER     |
| 8  | 3693138M1  |                | 1 | STIRRUP    |
| 9  | 3008120X1  | M10X70         | 2 | SCREW      |
| 10 | 390734X1   |                | 2 | WASHER     |
| 11 | 3009693X1  | ● 339402X1 (2) | 2 | NUT        |
| 12 | 3649271M91 |                | 1 | PLUG       |
| 13 | 3693119M1  |                | 1 | STIRRUP    |
- ! THIS IS A COMPONENT OF AN ASSEMBLY

HYDRAULICS AND LINKAGE

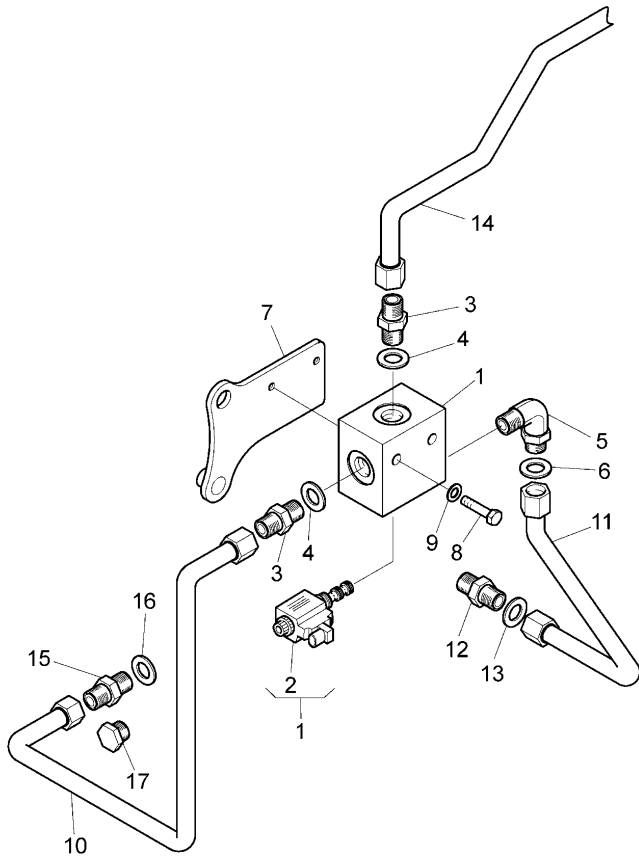
P-42  
05

HYDRAULICS EQUIPMENT - "PIPING AND PUMP" - HEAT EXCHANGER

Rex Tier 2 fp/cab  
desp. 80 F/GE



P4205

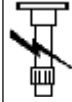


- |    |            |   |                |   |         |
|----|------------|---|----------------|---|---------|
| 1  | 3697048M2  | ● | 3697048M3 (1)  | 1 | BLOCK   |
| 2  | 4207501M91 | ! | 1              | 1 | VALVE   |
| 3  | 3557297M91 |   |                | 2 | UNION   |
| 4  | 3551467M1  |   |                | 2 | WASHER  |
| 5  | 3660435M91 |   |                | 1 | UNION   |
| 6  | 3551467M1  |   |                | 1 | WASHER  |
| 7  | 4206197M91 | ● | 4206197M93 (1) | 1 | STIRRUP |
| 8  | 391244X1   |   | M6X45          | 2 | SCREW   |
| 9  | 390971X1   |   |                | 2 | WASHER  |
| 10 | 3697254M91 | ◊ | E-04 25 25     | 1 | PIPE    |
| 11 | 3697256M91 | ● | 3697256M92 (1) | 1 | PIPE    |
|    |            | ◊ | E-04 25 27     |   |         |
| 12 | 3697213M91 | ◊ | E-04 25 28     | 1 | UNION   |
| 13 | 3551467M1  |   |                | 1 | WASHER  |
| 14 | 3697255M91 |   |                | 1 | PIPE    |
| 15 | 3697213M91 | ◊ | E-04 25 26     | 1 | UNION   |
| 16 | 3551467M1  |   |                | 1 | WASHER  |
| 17 | 1441067X1  | ⊥ |                | 1 | PLUG    |
- ! THIS IS A COMPONENT OF AN ASSEMBLY
- ◊ SEE PAGE - REFERENCE NUMBER
- ⊥ 4 WHEEL DRIVE
- ⊥ 2 WHEEL DRIVE

HYDRAULICS AND LINKAGE

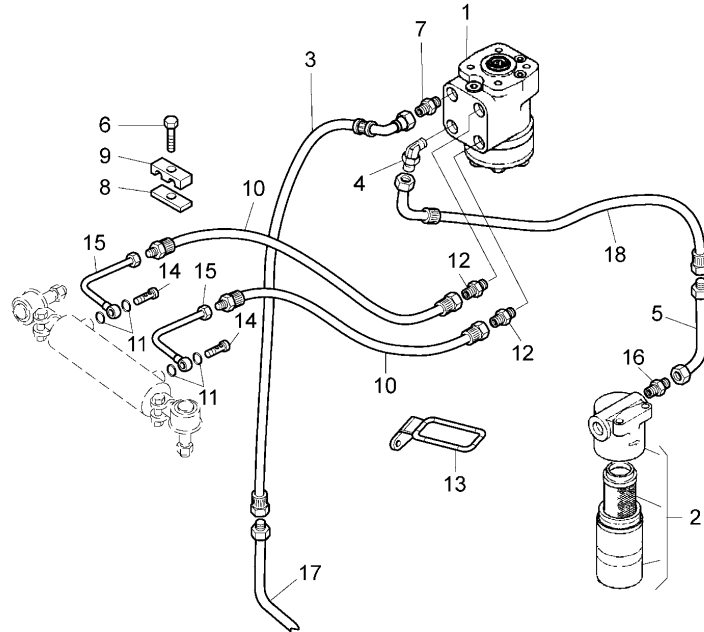
P-42  
06

STEERING HYDRAULIC LINES



P4206

Rex Tier 2 fp/cab  
desp. 80 F/GE



- |    |   |                             |   |         |
|----|---|-----------------------------|---|---------|
| 1  | ⊕ | DA J-09 06 A J-09 09 01     | 1 | VALVE   |
| 2  | ⊕ | J-09 04 12/27               | 1 | FILTER  |
| 3  | ⊕ | P-42 03 09                  | 1 | PIPE    |
| 4  |   | 3304523M93                  | 1 | UNION   |
| 5  |   | 3678442M91                  | 1 | PIPE    |
| 6  | ⊕ | 391979X1                    | 1 | SCREW   |
|    |   | M6X20                       |   |         |
| 7  |   | 1426267M92                  | 1 | UNION   |
| 8  | ⊕ | 3551473M1                   | 1 | DECAL   |
| 9  | ⊕ | 3531609M1                   | 1 | STIRRUP |
|    |   | 1441500X1 (1)               |   |         |
|    |   | 339229X1 (2)                |   |         |
|    |   | 3542558M1 (1)               |   |         |
| 10 |   | 3678444M91                  | 2 | PIPE    |
| 11 |   | 3554592M1                   | 4 | WASHER  |
| 12 |   | 3531243M93                  | 2 | UNION   |
| 13 |   | 3678446M92                  | 1 | CHOCK   |
| 14 |   | 393444X1                    | 2 | FILLER  |
| 15 |   | 3660780M92                  | 1 | PIPE    |
| 15 |   | 3660781M92                  | 1 | PIPE    |
| 15 |   | 3679366M91                  | 2 | PIPE    |
| 16 |   | 3300775M93                  | 1 | UNION   |
| 17 | ⊕ | P-42 03 05                  | 1 | PIPE    |
| 18 |   | 3678441M92                  | 1 | PIPE    |
| ⊕  |   | SEE PAGE - REFERENCE NUMBER |   |         |
| ⊕  |   | 4 WHEEL DRIVE               |   |         |
| ⊕  |   | 2 WHEEL DRIVE               |   |         |
| ▲  |   | LEFT HAND                   |   |         |
| ▼  |   | RIGHT HAND                  |   |         |



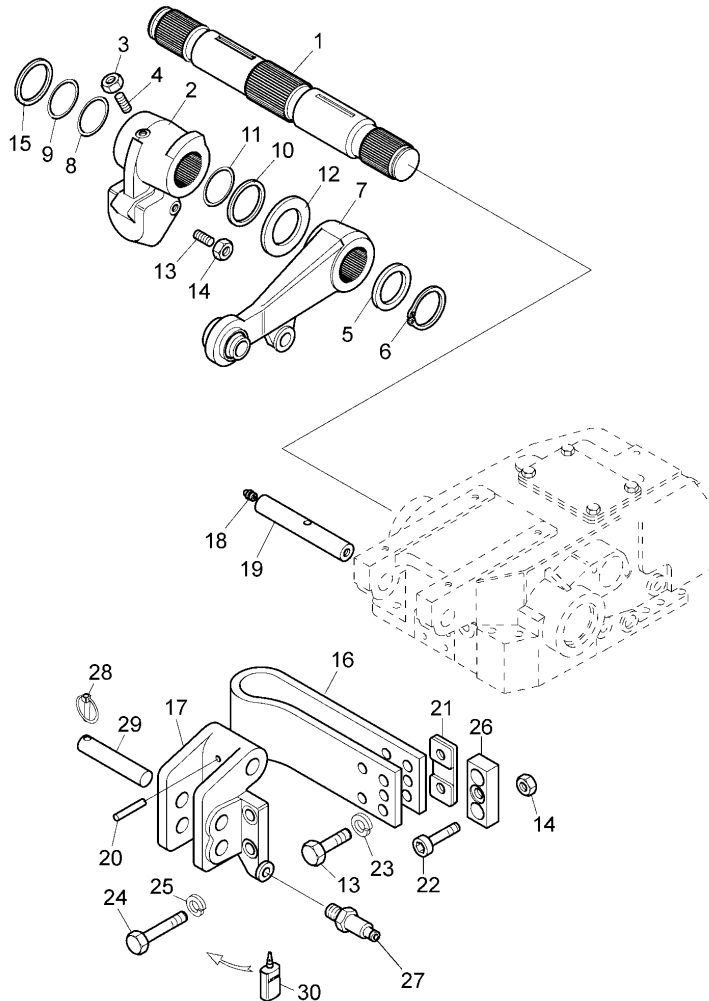
HYDRAULICS AND LINKAGE

**P-42  
07**

HYDRAULIC LIFT - LIFT ARMS - WITH MECANICS RISER

Rex Tier 2 fp/cab  
desp. 80 F/GE

P4207



- |    |            |   |               |   |        |
|----|------------|---|---------------|---|--------|
| 1  | 3542385M1  | ● | 3535353M2 (1) | 1 | SHAFT  |
|    |            |   | T-A 7:25      |   |        |
| 2  | 3306405M6  |   | T-A 7:25      | 1 | CONROD |
| 3  | 339186X1   |   |               | 1 | NUT    |
| 4  | 395588X1   |   | M12X30        | 1 | SCREW  |
| 5  | 3307268M1  |   | T-A 0:25      | 2 | SPACER |
| 6  | 391129X1   |   |               | 2 | RING   |
| 7  | 3303340M92 |   |               | 2 | ARM    |
|    |            |   | T-A 0:50      |   |        |
| 8  | 3530411M1  | ◀ | T-A 0:50      | 1 | SPACER |
| 9  | 835126M1   | ◀ | T-A 0:50      | 1 | O RING |
| 10 | 3530412M1  | ▶ | T-A 0:50      | 1 | SPACER |
| 11 | 1001464M1  | ▶ | T-A 0:50      | 1 | O RING |
| 12 | 1825290M1  |   | T-A 7:25      | 1 | RING   |
| 13 | 390717X1   |   | M16X65        | 1 | BOLT   |
| 14 | 392488X1   | ● | 3009748X1 (1) | 1 | NUT    |

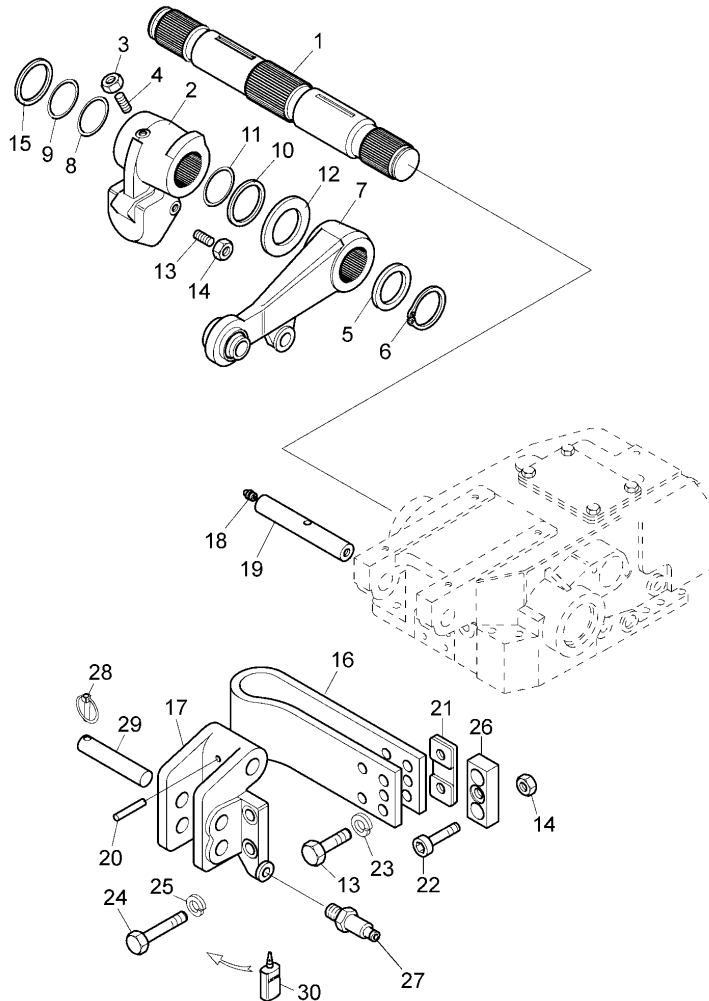
HYDRAULICS AND LINKAGE

**P-42  
07**

HYDRAULIC LIFT - LIFT ARMS - WITH MECANICS RISER

Rex Tier 2 fp/cab  
desp. 80 F/GE

P4207



- |     |            |                             |     |             |
|-----|------------|-----------------------------|-----|-------------|
| 15  | 3535354M1  |                             | 1   | RING        |
| 16  | 3667941M1  | T-A 0:50                    | 1   | SPRING      |
| 17  | 3555645M1  | T-A 0:50                    | 1   | SUPPORT     |
| 18  | 1440838X1  | T-A 0:50                    | 2   | GREASER     |
| 19  | 1825296M1  | T-A 0:25                    | 1   | PIN         |
| 20  | 395587X1   | T-A 0:50                    | 1   | DOWEL       |
| 21  | 1825300M1  | T-A 0:50                    | 1   | STIRRUP     |
| 22  | 3015511X1  | M16X50                      | 2   | SCREW       |
| 23  | 391414X1   | M16X55                      | 2   | LOCK WASHER |
| 24  | 390718X1   | M16X55                      | 2   | BOLT        |
| 25  | 391414X1   |                             | 2   | LOCK WASHER |
| 26  | 3555647M2  |                             | 1   | STIRRUP     |
| 27  |            | T-A 0:50                    | 1   | PIN         |
| 28  | 1426056M91 | ⊕ P-42 18 01                | 1   | RETAINER    |
| 29  | 1825297M1  |                             | 1   | PIN         |
| 30  | 3663814M1  | ● 1427801M2 (999)           | 999 | LOCTITE     |
| ⊕   |            | SEE PAGE - REFERENCE NUMBER |     |             |
| ◀   |            | LEFT HAND                   |     |             |
| ▶   |            | RIGHT HAND                  |     |             |
| T-A |            | Replacement                 |     |             |

HYDRAULICS AND LINKAGE

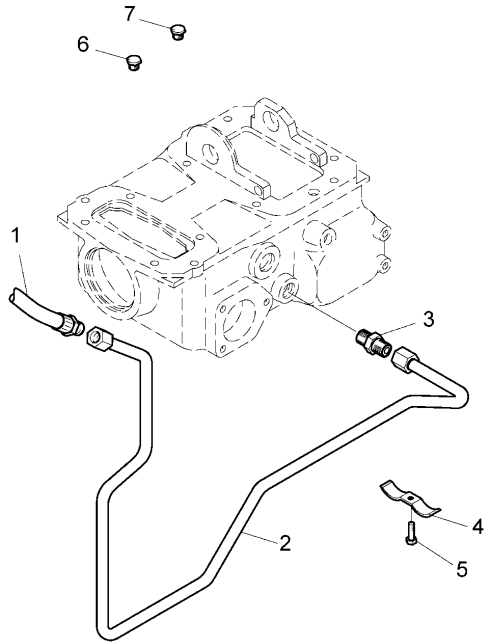
**P-42  
08**

HYDRAULICS EQUIPMENT - PIPINGS AND PUMP



P4208

Rex Tier 2 fp/cab  
desp. 80 F/GE



- |   |                             |           |
|---|-----------------------------|-----------|
| 1 | ⊕ P-42 03 16                | 1 PIPE    |
| 2 | 3674673M91                  | 1 PIPE    |
| 3 | 3300775M93                  | 1 UNION   |
| 4 | 3678858M91                  | 1 STIRRUP |
| 5 | 1442692X1 M6X25             | 1 SCREW   |
| 6 | 3685060M1                   | 2 PLUG    |
| 7 | 3685426M1                   | 1 PLUG    |
| ⊕ | SEE PAGE - REFERENCE NUMBER |           |

HYDRAULICS AND LINKAGE

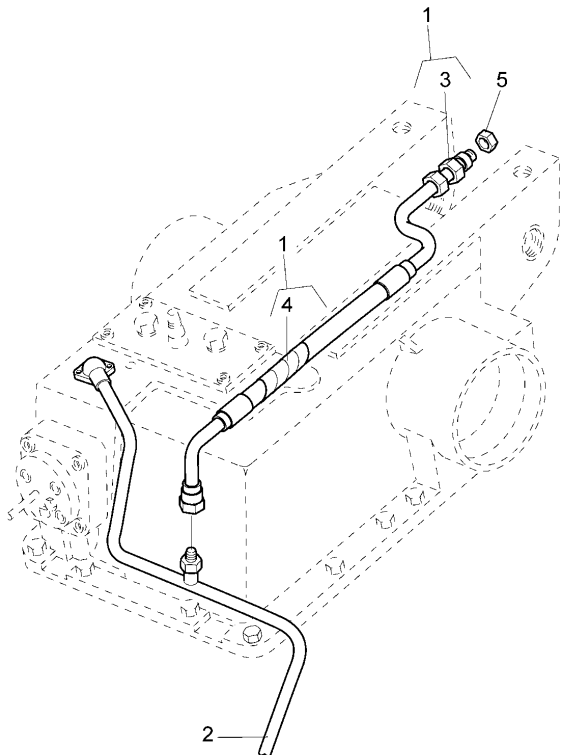
**P-42  
09**

HYDRAULIC LIFT - LIFT ARMS - WITH MECANICS RISER

Rex Tier 2 fp/cab  
desp. 80 F/GE



P4209

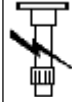


- |     |                                    |              |   |        |
|-----|------------------------------------|--------------|---|--------|
| 1   | 3693485M92                         |              | 1 | PIPE   |
|     |                                    | T-A 0:50     |   |        |
| 2   |                                    | ⊗ E-04 25 16 | 1 | PIPE   |
| 3   |                                    | ! 1          | 1 | CHOCK  |
|     |                                    | ▶ REF.N.1    |   |        |
| 4   | 3649115M1                          | ! 1          | 1 | GASKET |
| 5   | 22833X1                            |              | 1 | PLUG   |
| !   | THIS IS A COMPONENT OF AN ASSEMBLY |              |   |        |
| ⊗   | SEE PAGE - REFERENCE NUMBER        |              |   |        |
| ▶   | NOT SERVICED, ORDER                |              |   |        |
| T-A | Replacement                        |              |   |        |

HYDRAULICS AND LINKAGE

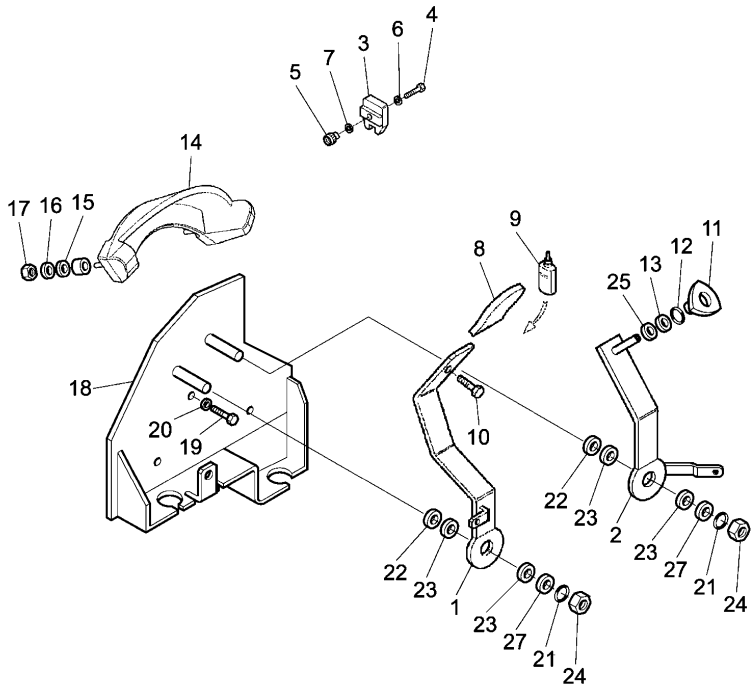
P-42  
10

MECHANICAL CONTROL LIFT - DRAFT , POSITION AND INTERMIX



P4210

Rex Tier 2 fp/cab  
desp. 80 F/GE



1	3670222M91	A	1	LEVER
		T-A 0:75		
2	3674767M91	B	1	LEVER
		T-A 0:75		
3	3556447M1		1	DISC
4	3556446M93		1	SCREW
5	3554267M1		1	GRIP
6	1441558X1		1	RING
7	390469X1		1	LOCK WASHE
8	3647007M4		1	KNOB
9	3550627M1	● 3532563M1 (999)	999	ADHESIVE
10	3002104X1		1	SCREW
11	3532806M91		1	GRIP
		T-A 0:25		
12	1440522X1		1	RING
13	3532804M1		1	SPACER
14	3670798M91		1	ABUTMENT
		T-A 0:50		
15	3019560X1		2	LOCK WASHE
16	339381X1		2	LOCK WASHE
17	390995X1		2	NUT
18	3674766M93		1	SUPPORT
19	339123X1	M8X20	3	SCREW
20	391025X1		3	LOCK WASHE
21	392875X1		2	WASHER
22	973078M2		2	DISC
		T-A 1:0		
23	973079M1		4	SPRING

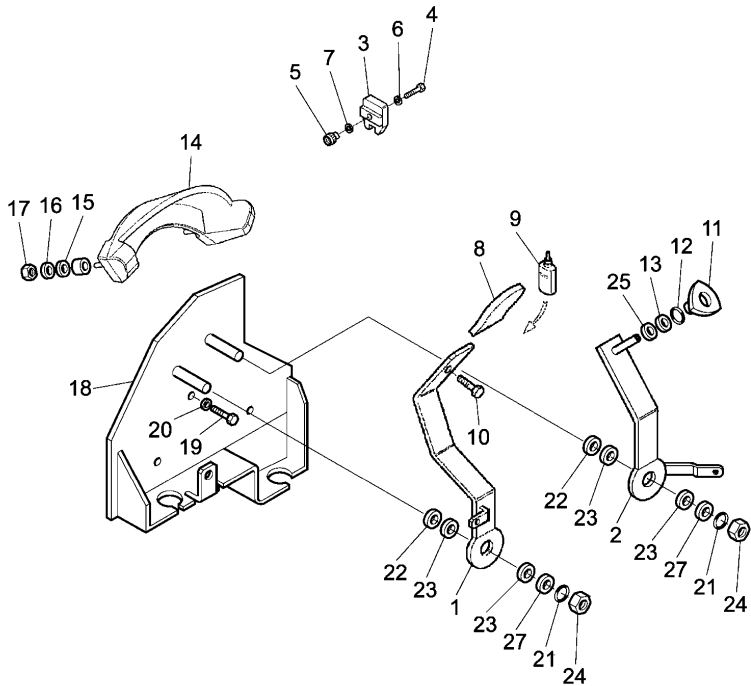
HYDRAULICS AND LINKAGE

**P-42  
10**

MECHANICAL CONTROL LIFT - DRAFT , POSITION AND INTERMIX

Rex Tier 2 fp/cab  
desp. 80 F/GE

P4210



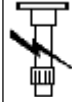
- |     |                  |   |        |
|-----|------------------|---|--------|
| 24  | 390881X1         | 2 | NUT    |
| 25  | 1440273X1        | 1 | WASHER |
| 26  | 3551513M1        | 2 | SPACER |
| 27  | 3308247M1        | 2 | GASKET |
| A   | "HIGH/LOW" DRIVE |   |        |
| B   | "INTERMIX" DRIVE |   |        |
| T-A | Replacement      |   |        |

HYDRAULICS AND LINKAGE

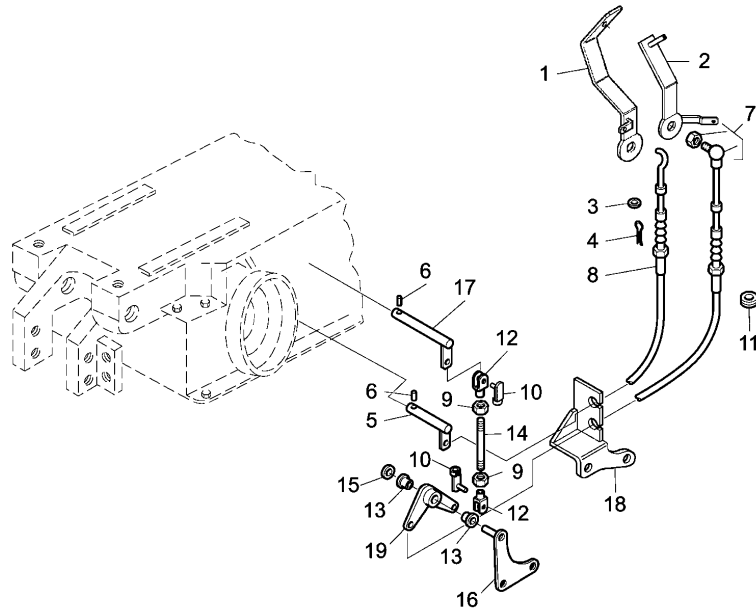
**P-42  
11**

MECHANICAL CONTROL LIFT - DRAFT , POSITION AND INTERMIX

Rex Tier 2 fp/cab  
desp. 80 F/GE



P4211



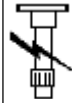
1	◇ P-42 10 01	1 LEVER
2	◇ P-42 10 02	1 LEVER
3	390971X1	2 WASHER
4	1442956X1	1 SPIROL PIN
5	3667932M91 B	1 LEVER
6	1441739X1 ● 339248X1 (2)	2 DOWEL
7	3674803M91 ● 4206583M91 (1)	1 CABLE
	A	
	T-A 1:50	
8	3672438M91 ● 4206584M91 (1)	1 CABLE
	B	
	T-A 1:50	
9	392308X1	2 NUT
10	3307701M91	2 RETAINER
11	3535133M1	8 RING
12	392463X1	2 YOKE
13	3532788M1	2 BUSH
14	3671090M1	1 TIE ROD
15	339422X1	1 RING
16	3670242M91	1 SUPPORT
17	3671085M91 A	1 LEVER
18	3668678M91	1 STIRRUP
19	3670243M91 A	1 LEVER
◇	SEE PAGE - REFERENCE NUMBER	
A	"INTERMIX" DRIVE	
B	"HIGH/LOW" DRIVE	
T-A	Replacement	

HYDRAULICS AND LINKAGE

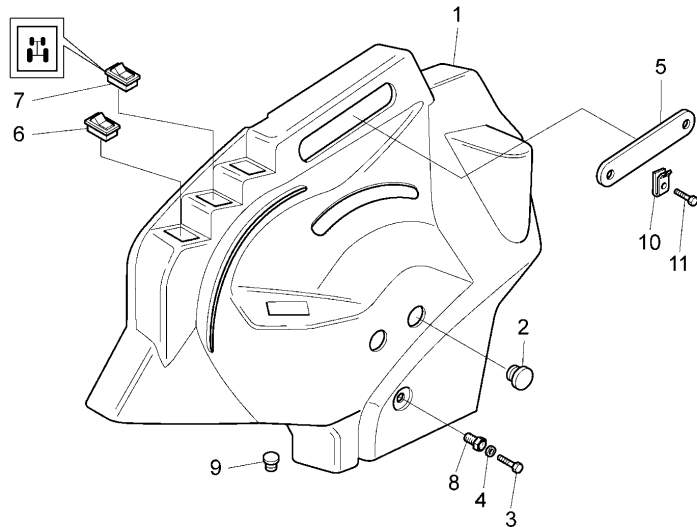
**P-42  
12**

MECHANICAL CONTROL LIFT - DRAFT , POSITION AND INTERMIX

Rex Tier 2 fp/cab  
desp. 80 F/GE



P4212



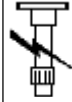
- |    |           |                              |   |           |
|----|-----------|------------------------------|---|-----------|
| 1  | 3671360M4 |                              | 1 | FACING    |
|    |           | T-A 0:25                     |   |           |
| 2  | 3305360M1 |                              | 2 | PLUG      |
| 3  | 3015167X1 | M5X20                        | 4 | SCREW     |
| 4  | 1427000M1 |                              | 4 | WASHER    |
| 5  | 3666826M2 |                              | 1 | PLUG      |
| 6  |           | ◁ D-00 16 03                 | 1 | SWITCH    |
|    |           | D                            |   |           |
| 7  |           | ◁ D-00 16 04                 | 1 | SWITCH    |
|    |           | C                            |   |           |
| 8  | 3547545M1 |                              | 3 | INSERT    |
| 9  | 3309460M1 |                              | 2 | PLUG      |
| 10 | 3536060M1 |                              | 2 | NAMEPLATE |
| 11 | 3015128X1 | M10X22                       | 2 | SCREW     |
|    | ◁         | SEE PAGE - REFERENCE NUMBER  |   |           |
|    | C         | SWITCH 4 WHEEL DRIVE CONTROL |   |           |
|    | D         | SWITCH DIFFERENTIAL LOCK     |   |           |
|    | T-A       | Replacement                  |   |           |



HYDRAULICS AND LINKAGE

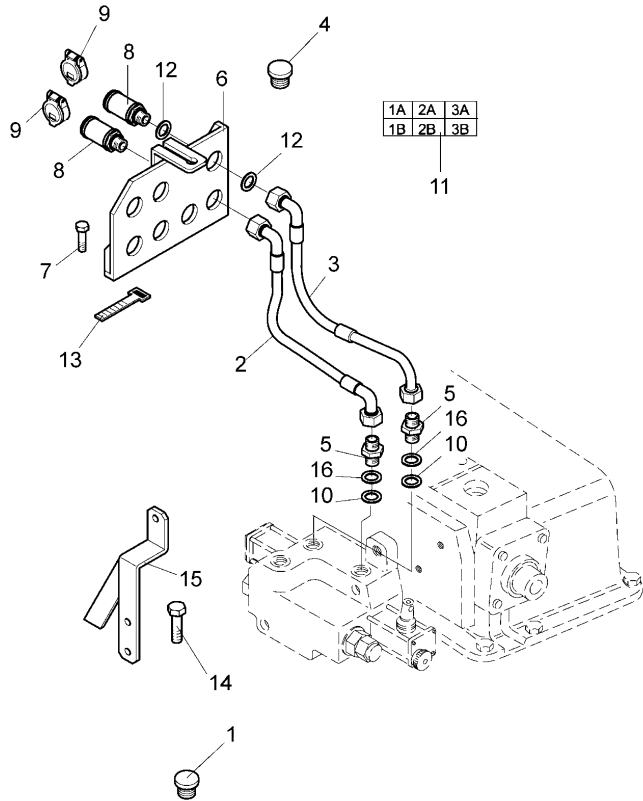
P-42  
13

AUXILIARY HYDRAULIC VALVE LINES - "HIDROIRMA"



P4213

Rex Tier 2 fp/cab  
desp. 80 F/GE



1	3309460M1		1	PLUG
2	3692822M91		1	PIPE
3	3692823M91	● 3692823M92 (1)	1	PIPE
4	3662863M1		1	PLUG
5	3537773M92		2	UNION
		T-A 2:25		
6	3672984M95		1	PLATE
7	1441630X1	M10X14	2	SCREW
8	3674306M91		2	HITCH
9	3530933M92		2	PLUG
10	3548878M1	● 1425358M2 (2)	2	WASHER
11		◊ R-20 05 20	1	DECAL
12	3015132X1		8	RING
13	3547986M1		1	CLAMP
14	3000253X1	M14X40	2	SCREW
15	3549517M91		1	SUPPORT
16	3015163X1		2	O RING
◊	SEE PAGE - REFERENCE NUMBER			
A	WITH 1 ELEMENT			
T-A	Replacement			

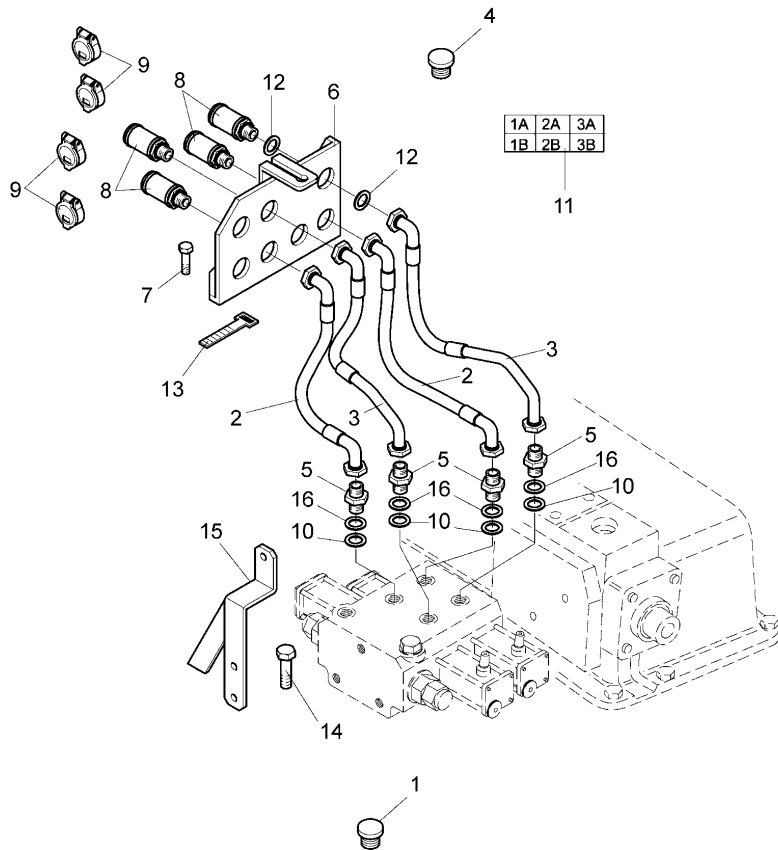
HYDRAULICS AND LINKAGE

P-42  
14

AUXILIARY HYDRAULIC VALVE LINES - "HIDROIRMA"

Rex Tier 2 fp/cab  
desp. 80 F/GE

P4214



1	3309460M1		1	PLUG
2	3692822M91		2	PIPE
3	3692823M91	● 3692823M92 (2)	2	PIPE
4	3662863M1		1	PLUG
5	3537773M92		4	UNION
		T-A 2:25		
6	3672984M95		1	PLATE
7	1441630X1	M10X14	2	SCREW
8	3674306M91		4	HITCH
9	3530933M92		4	PLUG
10	3548878M1	● 1425358M2 (4)	4	WASHER
11		◊ R-20 05 20	1	DECAL
12	3015132X1		16	RING
13	3547986M1		1	CLAMP
14	3000253X1	M14X40	2	SCREW
15	3549517M91		1	SUPPORT
16	3015163X1		4	O RING
◊	SEE PAGE - REFERENCE NUMBER			
A	WITH 2 ELEMENTS			
T-A	Replacement			

HYDRAULICS AND LINKAGE

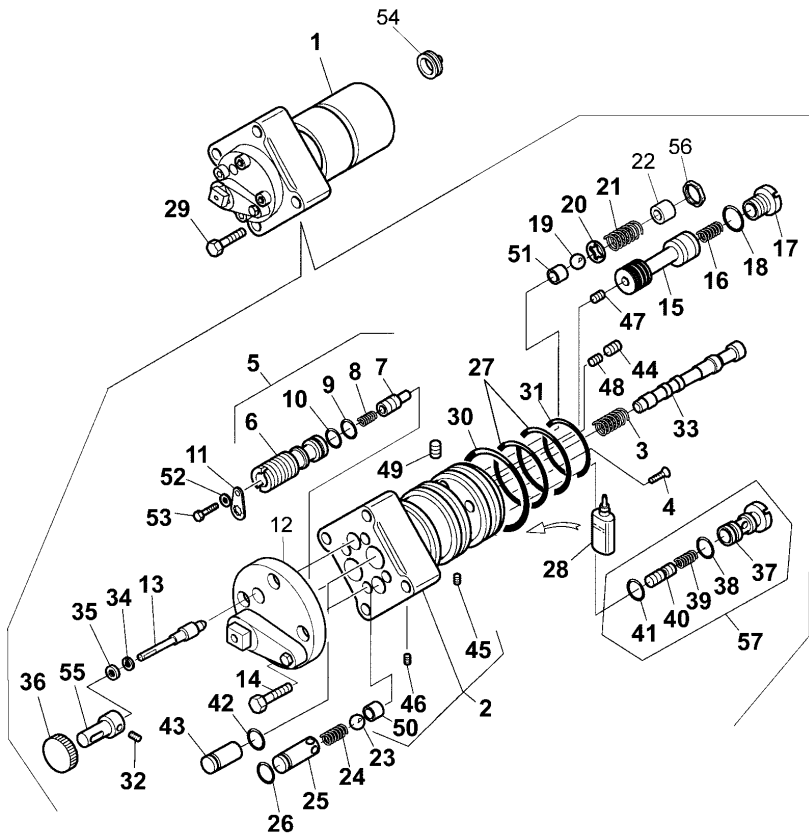
**P-42  
15**

HYDRAULIC LIFT VALVE - SENSING DISTRIBUTION DEVICE

Rex Tier 2 fp/cab  
desp. 80 F/GE



P4215

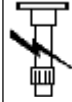


- |    |            |   |            |             |            |
|----|------------|---|------------|-------------|------------|
| 1  | 3690876M93 |   | 1          | DISTRIBUTOR |            |
| 2  | 3674251M98 | ● | T-A 2:0    | 1           | BODY       |
| 3  | 3683382M1  | ! | N.L.S. (1) | 1           | SPRING     |
| 4  | 1441267X1  | ! | 1          | 1           | SCREW      |
| 5  | 3684231M92 | ! | T-A 2:25   | 1           | VALVE      |
| 6  | 3682902M1  | ! | 5          | 1           | VALVE SEAT |
| 7  | 3306224M3  | ! | 5          | 1           | VALVE      |
| 8  | 1825253M1  | ! | 5          | 1           | SPRING     |
| 9  | 1000557M1  | ! | T-A 2:25   | 1           | O RING     |
| 10 | 1000578M1  | ! | 5          | 1           | INSTANT GA |
| 11 | 3682901M1  | ! | 1          | 1           | NAMEPLATE  |
| 12 | 3682903M1  | ! | T-A 2:25   | 1           | COVER      |
| 13 | 3682434M1  | ! | 1          | 1           | VALVE      |
| 14 | 1441000X1  | ! | T-A 2:0    | 4           | SCREW      |

HYDRAULICS AND LINKAGE

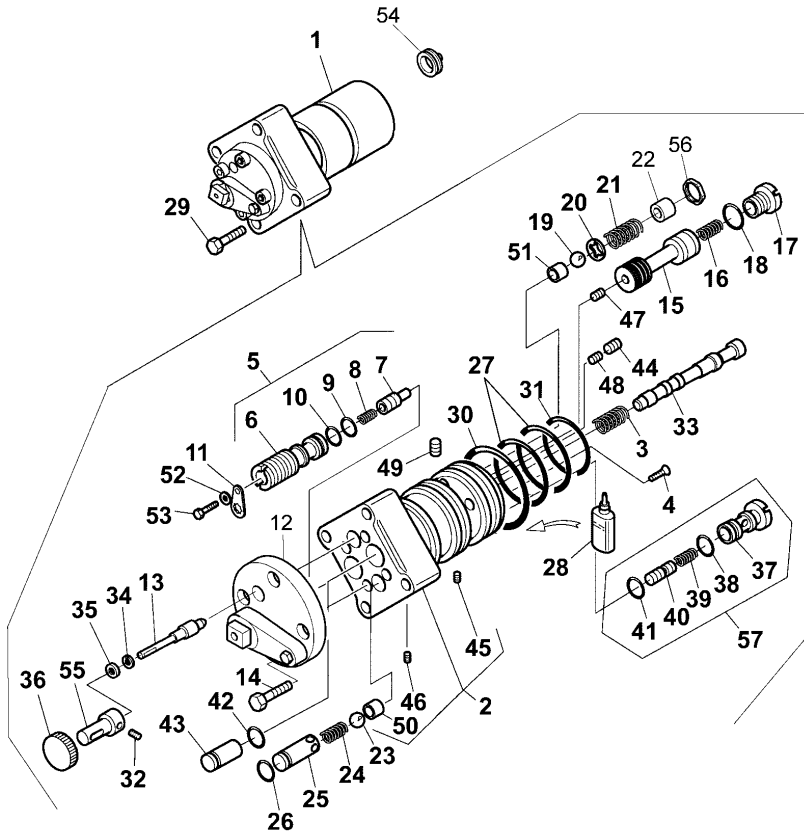
**P-42**  
**15**

HYDRAULIC LIFT VALVE - SENSING DISTRIBUTION DEVICE



P4215

Rex Tier 2 fp/cab  
desp. 80 F/GE

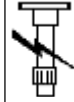


15	3670853M4	!	1	1	LOCKER
				T-A 2:0	
16	3542971M1	!	1	1	SPRING
				T-A 2:0	
17	3668724M6	!	1	1	PLUG
				T-A 2:0	
18	3015163X1	!	1	1	O RING
				T-A 2:0	
19	361031X1	!	1	1	BALL
				T-A 2:0	
20	1425368M1	!	1	1	WASHER
				T-A 2:0	
21	3306237M1	!	1	1	SPRING
				T-A 2:0	
22	3695286M1	!	1	1	PLUG
				T-A 2:0	
23	391838X1	!	1	1	BALL
				T-A 2:0	
24	3667702M1	!	1	1	SPRING
				T-A 2:0	
25	3668710M2	!	1	1	GUIDE
				T-A 2:0	
26	3015472X1	!	1	1	RING
				T-A 2:0	

HYDRAULICS AND LINKAGE

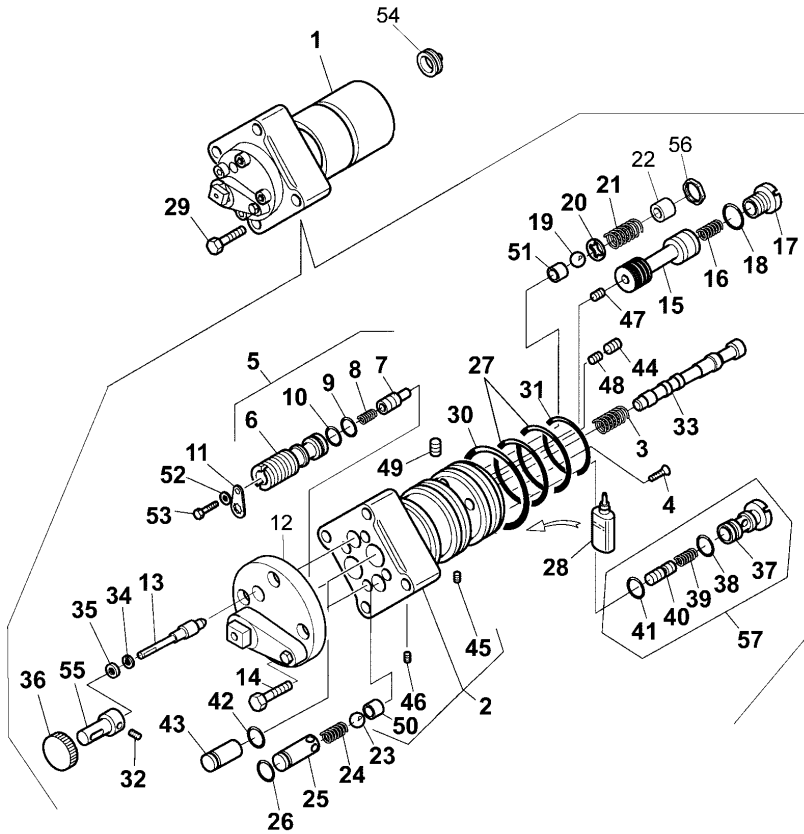
**P-42  
15**

HYDRAULIC LIFT VALVE - SENSING DISTRIBUTION DEVICE



P4215

Rex Tier 2 fp/cab  
desp. 80 F/GE

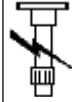


27	3686802M2	!	1	2	RING
			T-A 2:0		
28	3663814M1	●	1427801M2 (999)	999	LOCTITE
		!	1		
29	1441612X1		M8X45	4	SCREW
30	3673882M1	!	1	1	RING
31	367972X1	!	1	1	O RING
			T-A 2:0		
32	3001046X1			1	DOWEL PIN
33	3671028M4	!	1	1	LOCKER
			T-A 2:0		
34	3668876M1	!	1	1	SHIM
			T-A 2:0		
35	3668875M1	!	1	1	RING
			T-A 2:0		
36	3682439M91			1	GRIP
37	3668719M5	!	57	1	VALVE SEAT
			T-A 2:0		
38	3015163X1	!	57	1	O RING
			T-A 2:0		
39	3679604M1	!	57	1	SPRING
			T-A 2:0		
40	3668712M2	!	57	1	PISTON
			T-A 2:0		
41	195868M1	!	57	1	O RING
			T-A 2:0		

HYDRAULICS AND LINKAGE

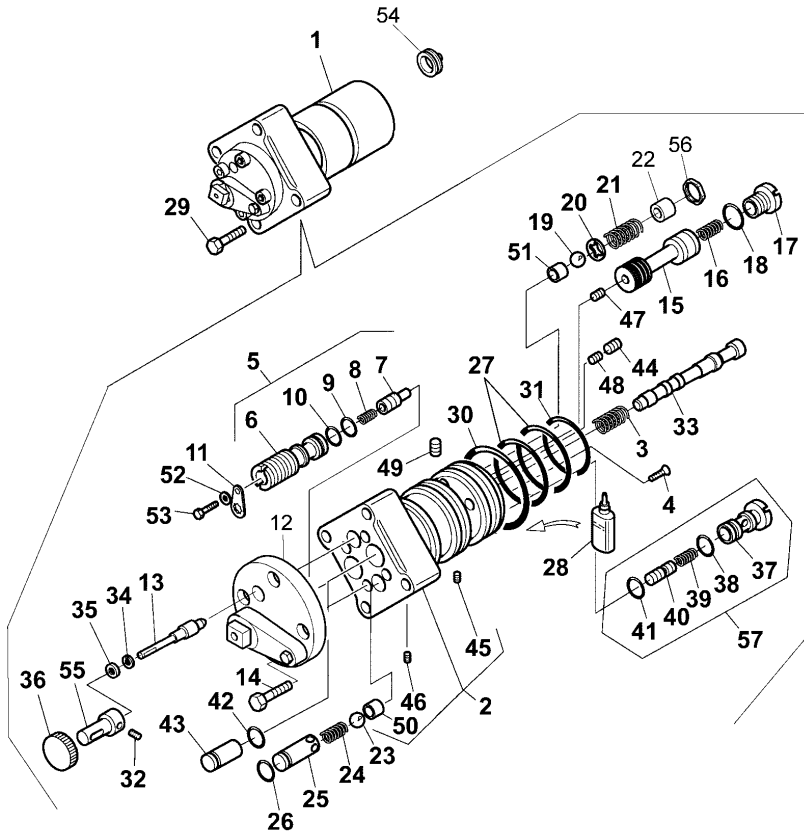
P-42  
15

HYDRAULIC LIFT VALVE - SENSING DISTRIBUTION DEVICE



P4215

Rex Tier 2 fp/cab  
desp. 80 F/GE



42	1000557M1	!	1	1	O RING
				T-A 2:0	
43	3668725M2	!	1	1	PLUG
44	3005636X1	!	1	1	PLUG
45	3671067M1	!	2	1	PLUG
46	3655688M1	!	2	1	PLUG
47	3683661M1	!	1	1	DOWEL PIN
48	3674648M1	!	1	1	PLUG
49	3679610M1	!	1	1	PLUG
50	3666206M3	!	2	1	VALVE SEAT
51	1825246M2	!	2	1	VALVE SEAT
52	339374X1	!	1	1	LOCK WASHE
53	339124X1	!	1	1	SCREW
				M8X16	
54	3687396M1			1	RING
55	3672258M2			1	EXTENSION
56	3695328M1	!	1	1	FERRULE
57	3686586M92	!	1	1	VALVE
!	THIS IS A COMPONENT OF AN ASSEMBLY				
T-A	Replacement				

HYDRAULICS AND LINKAGE

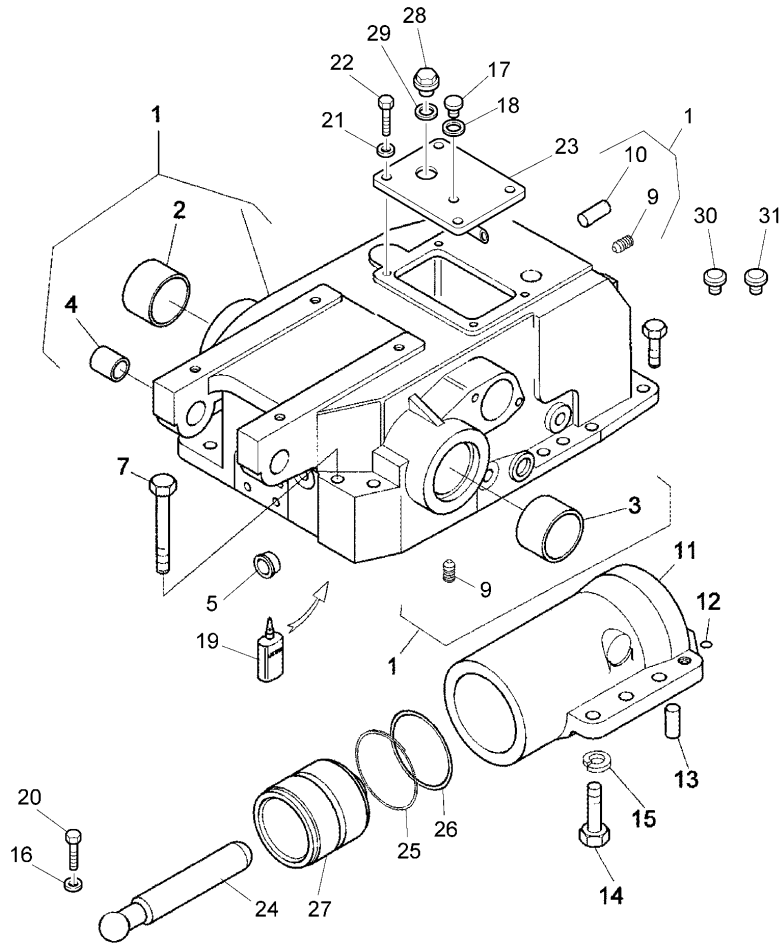
**P-42**  
**16**

HYDRAULIC LIFT - LIFT ARMS - WITH MECANICS RISER

Rex Tier 2 fp/cab  
desp. 80 F/GE



P4216



1	3671457M95	●	3671457M911 (1)	1	BODY
			T-A 6:50		
			T-B 8:50		
2	1819841M1	!	1	2	BUSH
			T-A 7:75		
3	1825272M1	!	1	2	BUSH
			T-A 7:75		
4	1426483M1	!	1	2	BUSH
			T-A 0:75		
5	3302001M1			8	PLUG
6	3009301X1		M12X80	1	SCREW
6	3009514X1		M12X70	1	SCREW
			T-A 0:75		
6	339208X1	●	1440718X1 (9)	9	SCREW
			M12X45		
			M12X120		
7	3015419X1			2	SCREW
8	3536801M1			999	LOCTITE
9	3669850X1	!	1	2	PLUG
10	1442387X1	!	1	4	DOWEL
11	1825278M93			1	CYLINDER
			T-A 7:25		
12	195562M1			1	RING
			T-A 7:25		
13	1440696X1			2	DOWEL
			T-A 7:25		

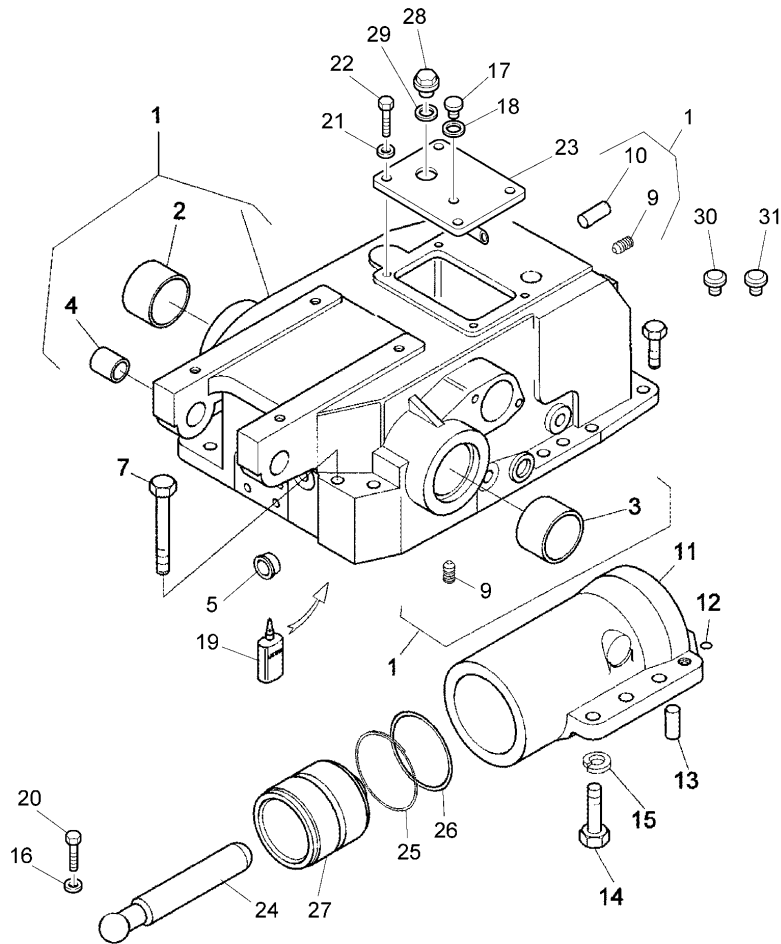
HYDRAULICS AND LINKAGE

**P-42**  
**16**

HYDRAULIC LIFT - LIFT ARMS - WITH MECANICS RISER

Rex Tier 2 fp/cab  
desp. 80 F/GE

P4216



14	3671362X1	M16X45	4	SCREW
15	391414X1		4	LOCK WASHER
16	392310X1		2	NUT
17	1441495X1		1	PLUG
18	390839X1		1	GASKET
19	3308788M1		999	LOCTITE
		T-A 6:50		
20	1425359M1		2	SCREW
21	339374X1		4	LOCK WASHER
22	339124X1	M8X16	4	SCREW
23	3687775M91		1	COVER
24	1425326M1		1	STRUT
		T-A 7:25		
25	395590X1		1	RING
		T-A 7:25		
26	3019929X1		1	O RING
		T-A 7:25		
27	1825284M1		1	PISTON
		T-A 7:25		
28	3004973X1		1	PLUG
29	3557504M1		1	WASHER
30	3662863M1		2	PLUG
31	3647260M1		1	PLUG
!	THIS IS A COMPONENT OF AN ASSEMBLY			
T-A	Replacement			
T-B	Overhaul			



HYDRAULICS AND LINKAGE

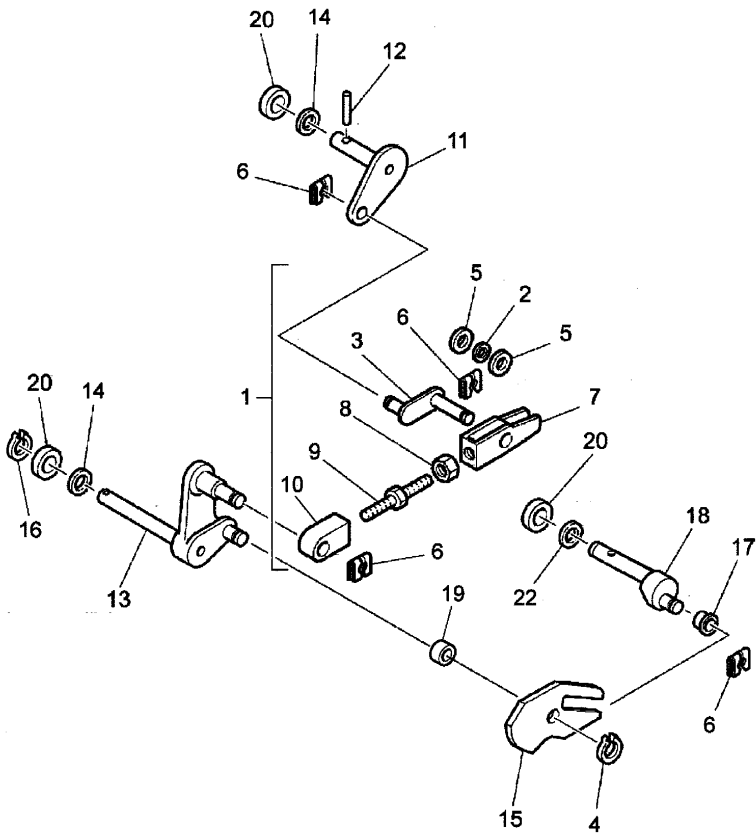
P-42  
17

MECHANISM CONTROL LIFT - DRAFT, POSITION AND INTERMIX

Rex Tier 2 fp/cab  
desp. 80 F/GE



P4217



1	3654178M91		1	YOKE
2	3306398M1	! 1	1	TOGGLE
3	3654180M91	! 1	1	CONROD
4	1440522X1		1	RETAINER
5	1425384M1	! 1	2	WASHER
6	3308154M1		4	RETAINER
7	3654235M2	! 1	1	YOKE
8	392309X1	! 1	1	NUT
9	3647883M1	! 1	1	SCREW
10	3654237M1	! 1	1	FULCRUM
11	3674952M91		1	LEVER
12	1441739X1	● 339248X1 (1)	1	DOWEL
13	3654175M94		1	LEVER
14	3019962X1		3	O RING
15	3654177M3	T-A 7:0	1	CAM
16	1440522X1	T-A 7:0	1	RING
17	3654263M1	T-A 7:0	1	SKATE

HYDRAULICS AND LINKAGE

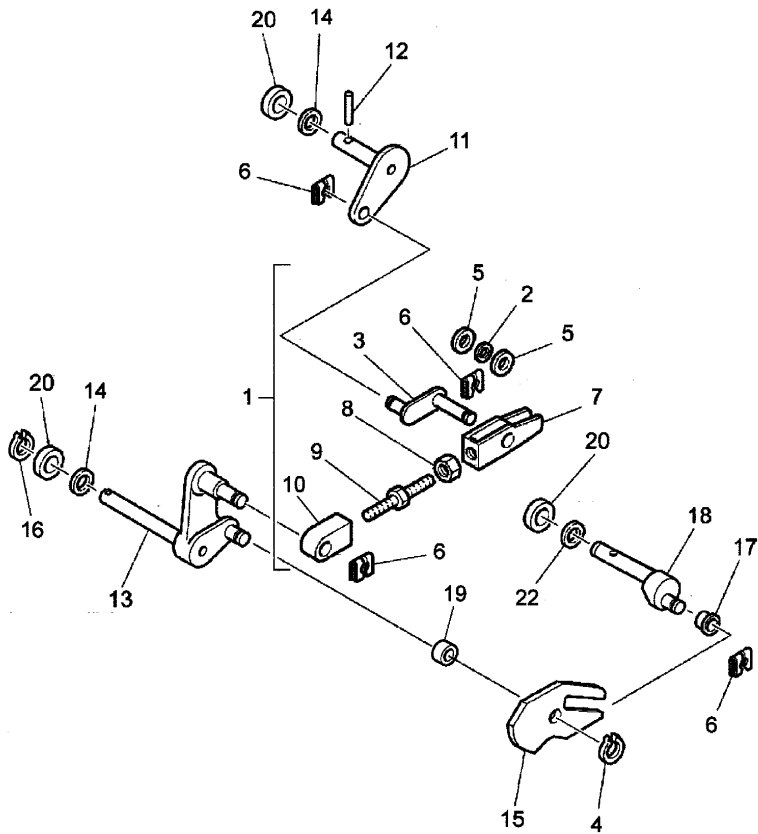
P-42  
17

MECHANISM CONTROL LIFT - DRAFT, POSITION AND INTERMIX

Rex Tier 2 fp/cab  
desp. 80 F/GE



P4217



- |     |                                    |                 |   |        |
|-----|------------------------------------|-----------------|---|--------|
| 18  | 3673922M1                          | ● 3673922M2 (1) | 1 | LEVER  |
|     |                                    | T-A 7:0         |   |        |
| 19  | 3654282M1                          | T-A 7:0         | 1 | BUSH   |
| 20  | 3656014M1                          | T-A 7:0         | 3 | SPACER |
| !   | THIS IS A COMPONENT OF AN ASSEMBLY |                 |   |        |
| T-A | Replacement                        |                 |   |        |

HYDRAULICS AND LINKAGE

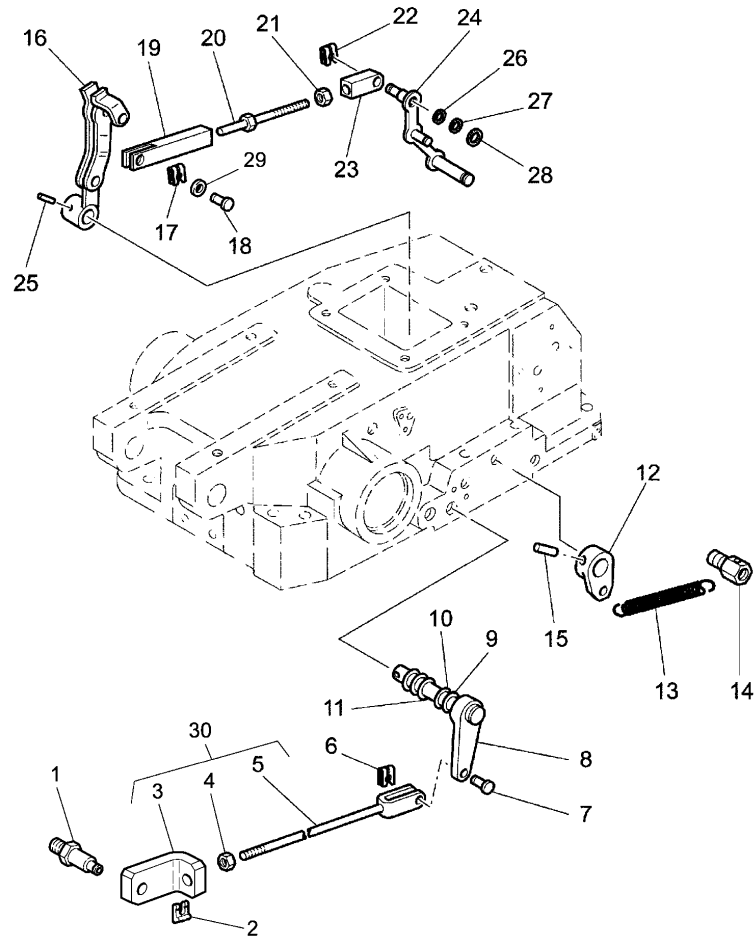
P-42  
18

MECHANISM CONTROL LIFT - DRAFT, POSITION AND INTERMIX



P4218

Rex Tier 2 fp/cab  
desp. 80 F/GE



1	3680563M1		1	PIN
2	3308154M1		1	RETAINER
3	3680569M1	! 30	1	ANGULAR
4	392309X1	! 30	2	NUT
5	3652327M92	! 30	1	TIE ROD
		T-A 0:25		
6	3308154M1		1	RETAINER
7	3307341M1		1	PIN
		T-A 0:25		
8	3666562M92		1	SHAFT
		T-A 7:0		
9	1825310M1		1	SPACER
		T-A 7:0		
10	3019915X1		1	O RING
		T-A 7:0		
11	1825013M1		1	SPRING
		T-A 7:0		
12	3666563M2		1	LEVER
		T-A 0:50		
13	3674911M1		1	SPRING
		T-A 0:25		
14	3665121M2		1	HOOK
15	1441734X1	● 1440399X1 (1)	1	DOWEL
16	3654174M95		1	GUIDE
		T-A 7:0		

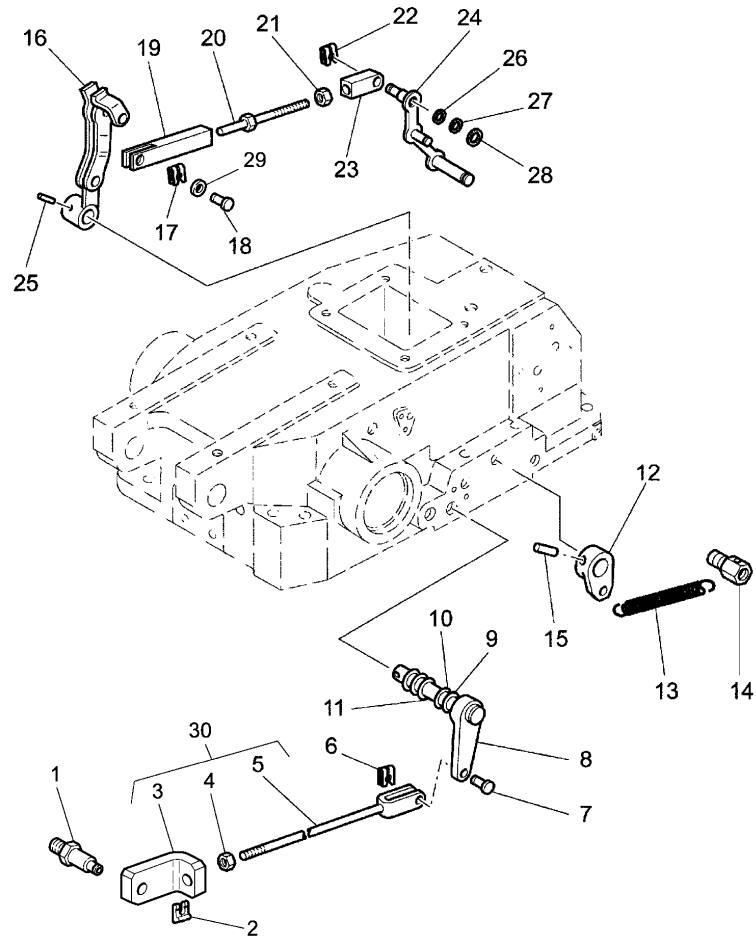
HYDRAULICS AND LINKAGE

P-42  
18

MECHANISM CONTROL LIFT - DRAFT, POSITION AND INTERMIX

Rex Tier 2 fp/cab  
desp. 80 F/GE

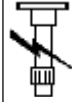
P4218



17	3308154M1		1	RETAINER
18	3307342M1		1	PIN
19	3308789M1	T-A 7:0	1	NOSE PIECE
20	3308790M1	T-A 7:0	1	SCREW
21	392309X1	T-A 7:0	1	NUT
22	3308154M1		1	RETAINER
23	3306393M2	● 3306393M3 (1)	1	NOSE PIECE
24	3654173M95	T-A 7:0	1	LEVER
25	1441736X1		1	DOWEL
26	3019962X1		1	O RING
27	1440474X1	T-A 7:0	1	RING
28	3654181M1	T-A 7:0	1	SPACER
29	390972X1	T-A 7:0	1	WASHER
30	3685480M91		1	TIE ROD
!	THIS IS A COMPONENT OF AN ASSEMBLY			
T-A	Replacement			

HYDRAULICS AND LINKAGE

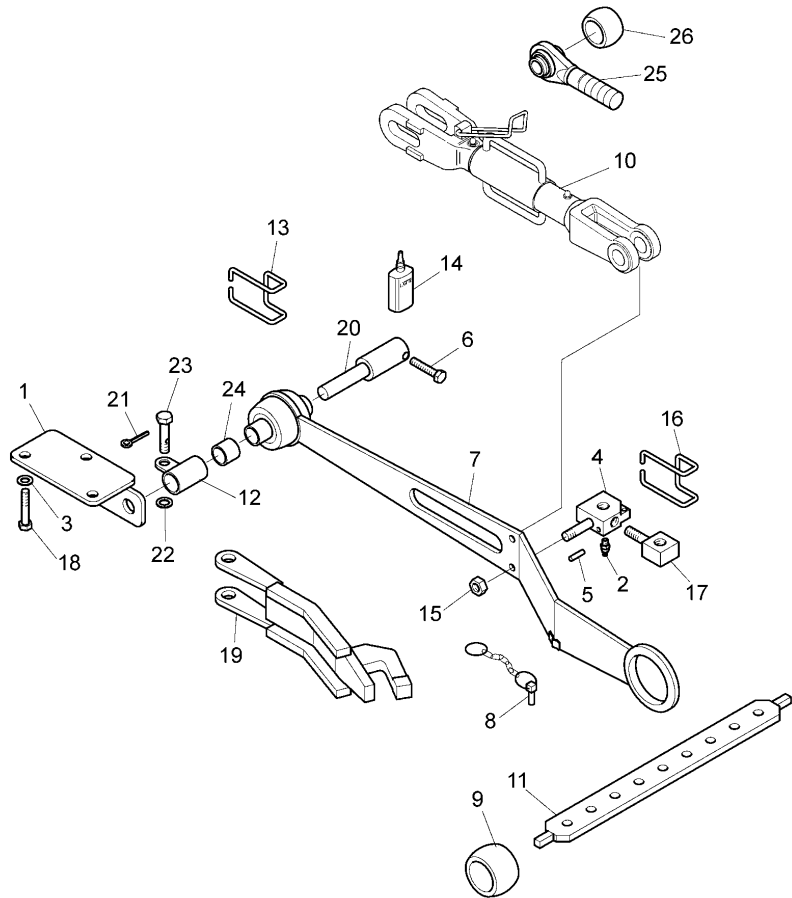
**P-42  
19**



P4219

Rex Tier 2 fp/cab  
desp. 80 F/GE

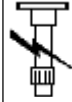
LINKAGE - "STRUT AND LINKAGE" - STANDARD VERSION



1	3533633M92	A	2	SUPPORT
1	3533704M93	D	2	SUPPORT
2	1440838X1	T-A 0:50	2	GREASER
3	391414X1	T-A 0:25	6	LOCK WASHER
4	3533934M3	T-A 0:25	2	SUPPORT
5	3543858M1		2	DOWEL
6	3000253X1	M14X40	2	SCREW
7	3533820M92	◀	1	TIE ROD
7	3533821M92	▶	1	TIE ROD
8	1825417M91	●	1	RETAINER
9	3306955M1		2	TOGGLE
10		(X) 0.1.3.5	2	ROD
11		◊ P-42 22 01	1	BAR
12	1871153M1	T-A 0:25	2	UNIVERSAL
12	3539036M1	A	2	UNIVERSAL
		T-A 0:50		
		D		
		T-A 0:50		

HYDRAULICS AND LINKAGE

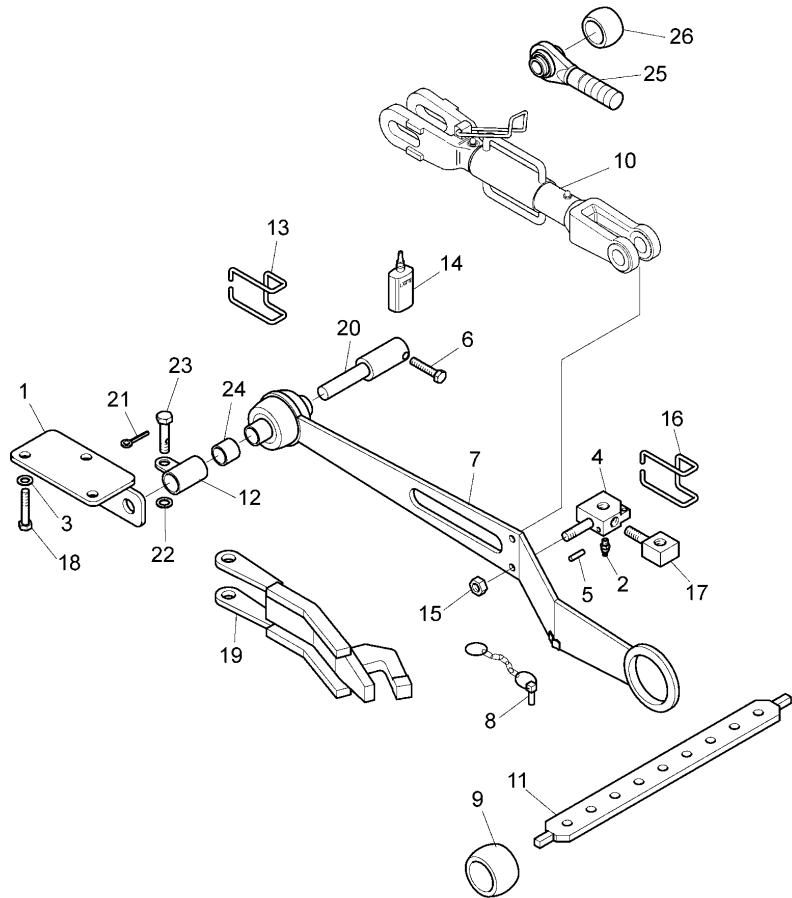
**P-42  
19**



P4219

Rex Tier 2 fp/cab  
desp. 80 F/GE

LINKAGE - "STRUT AND LINKAGE" - STANDARD VERSION



13	1426070M1		1	HOOK
14	3663814M1	● 1427801M2 (999)	999	LOCTITE
15	1441566X1		2	NUT
16	3380341M1		2	SPRING
17	3533935M1		2	SCREW
18	339275X1	T-A 0:25 M16X35	6	SCREW
19	3534571M93		2	STRUT
20	3537825M1	T-A 0:50 A (X) 0.1.3.6 T-A 0:75	2	PIN
20	3537828M2	D (X) 0.2.4.6 T-A 0:75	2	PIN
21	354091X1		2	PIN
22	353763X1		2	WASHER
23	364752X1		2	PIN
24	3534570M1		2	SPACER
25	3533895M91	B C	1	STRUT
26	3306954M1	B C	2	TOGGLE

- ☞ SEE PAGE - REFERENCE NUMBER
- A VERSION "F"
- B CONVERSION KIT FROM 2 TO 1 CATEGORY
- C WITHOUT QUICK COUPLING
- D VERSION "GE"
- ◀ LEFT HAND
- ▶ RIGHT HAND
- T-A Replacement
- (X) QTY PER TRACTORS SOLD (AA.BBB.CCC.DDD) (AA) FOR 1,(BBB) 2-10 (CCC) 11-25 (DDD) 26-50

HYDRAULICS AND LINKAGE

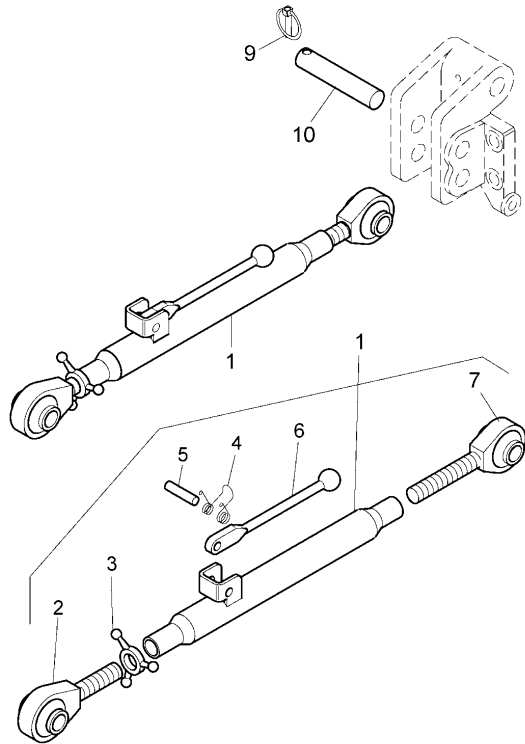
**P-42  
20**

THREE POINT LINKAGE - 2 CAT - WITH BALL-TYPE FIX

Rex Tier 2 fp/cab  
desp. 80 F/GE



P4220



1	3663862M91	↔	3690882M91 "CBM" T-A 0:25	1	STRUT
2	1825391M91	!	1	1	STRUT
3	1825401M1	!	1	1	NUT
4	3671276M1	!	1	1	SPRING
5	3665737M1	!	1	1	DOWEL
6	3665739M1	!	1	1	LEVER
7	1825403M91	!	1	1	STRUT
8	3671278M1	!	1	1	SLEEVE
9		⊖	P-42 07 28	1	RETAINER
10		⊖	P-42 07 29	1	PIN
!	THIS IS A COMPONENT OF AN ASSEMBLY				
⊖	SEE PAGE - REFERENCE NUMBER				
↔	ALTERNATIVE				
▲	LEFT HAND				
▼	RIGHT HAND				
T-A	Replacement				

HYDRAULICS AND LINKAGE

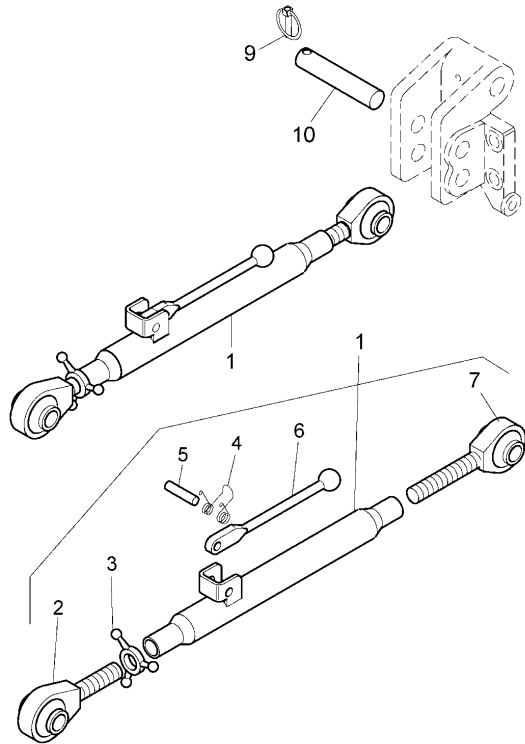
P-42  
21

THREE POINT LINKAGE - 2 CAT - WITH BALL-TYPE FIX

Rex Tier 2 fp/cab  
desp. 80 F/GE



P4221



1	3690882M91	↔	3663862M91 "ARIES" T-A 0:25	1	STRUT
2	3693210M91	!	1	1	STRUT
3	3692985M1	!	1	1	NUT
4	3692988M1	!	1	1	SPRING
5	3019557X1	!	1	1	DOWEL
6	3692987M1	!	1	1	LEVER
7	3693210M91	!	1	1	STRUT
		▲	T-A 0:25		
8		!	1	1	SLEEVE
		▣	REF. N. 1		
9		◇	P-42 07 28	1	RETAINER
10		◇	P-42 07 29	1	PIN
!	THIS IS A COMPONENT OF AN ASSEMBLY				
◇	SEE PAGE - REFERENCE NUMBER				
↔	ALTERNATIVE				
▣	NOT SERVICED, ORDER				
▲	LEFT HAND				
▼	RIGHT HAND				
T-A	Replacement				



HYDRAULICS AND LINKAGE

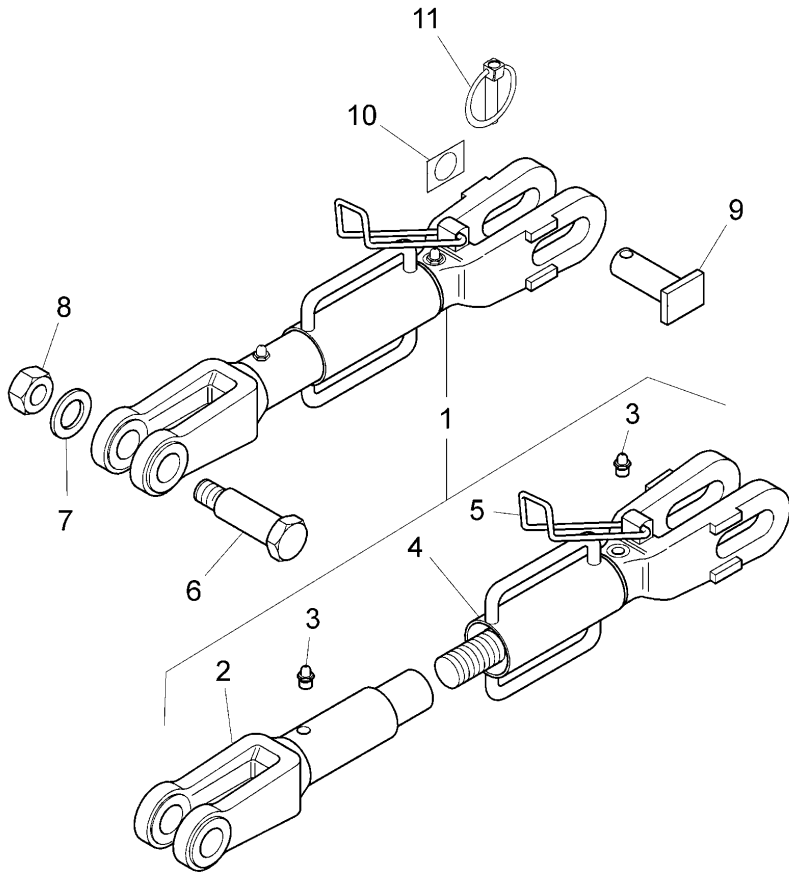
**P-42  
22**

LINKAGE - "STRUT AND LINKAGE" - WITH QUICK ATTACH

Rex Tier 2 fp/cab  
desp. 80 F/GE



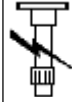
P4222



1	3308441M91		2	ROD
2	3307444M91	! T-A 0:25	1	YOKE
		▼		
3	339608X1	! T-A 0:50	2	GREASER
		! T-A 0:25		
4	3308445M91	● N.L.A. (1)	1	YOKE
		! 1		
		▲		
5	1825440M1	! T-A 0:50	1	SPRING
6	3538890M1	▼ T-A 0:25	2	PIN
7	390975X1		2	WASHER
8	1441566X1		2	NUT
9	3667796M91	▲	2	PIN
10	3300764M2		2	PLATE
11	3670719M91		2	CLIP
!	THIS IS A COMPONENT OF AN ASSEMBLY			
▲	TOP			
▼	LOWER COMPONENT			
T-A	Replacement			

HYDRAULICS AND LINKAGE

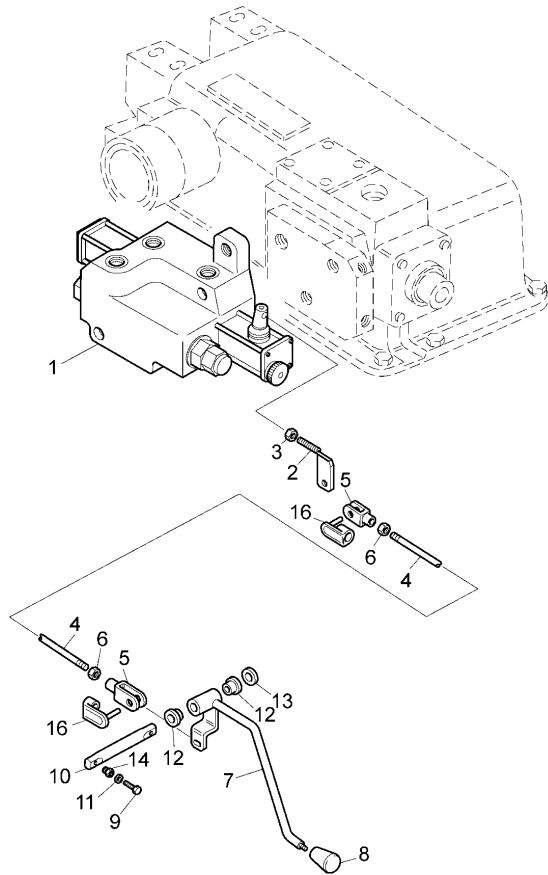
**P-42  
23**



P4223

Rex Tier 2 fp/cab  
desp. 80 F/GE

CONTROLS ,AUXILIARY HYDRAULICS - AUXILIARIS HYDRAULICS VALVES - WITH 1.0 DISTRIBUTOR



- |     |                               |   |             |
|-----|-------------------------------|---|-------------|
| 1   | ☞ P-42 32 01                  | 1 | DISTRIBUTOR |
| 2   | 3671851M92                    | 1 | LEVER       |
|     | T-A 1:0                       |   |             |
| 3   | 392293X1 ● 339402X1 (1)       | 1 | NUT         |
| 4   | 3670023M1                     | 1 | TIE ROD     |
|     | T-A 1:0                       |   |             |
| 5   | 392463X1                      | 2 | YOKE        |
|     | T-A 1:0                       |   |             |
| 6   | 339030X1 ● 1441500X1 (2)      | 2 | NUT         |
| 7   | 3670019M91                    | 1 | LEVER       |
|     | A                             |   |             |
|     | T-A 0:50                      |   |             |
| 8   | 3304484M1                     | 1 | KNOB        |
|     | F                             |   |             |
|     | T-A 0:25                      |   |             |
| 9   | 339761X1                      | 2 | SCREW       |
|     | M8X25                         |   |             |
| 10  | 3546722M1                     | 1 | SHAFT       |
|     | T-A 0:50                      |   |             |
| 11  | 339374X1                      | 2 | LOCK & SEA  |
| 12  | 3546868M1                     | 2 | BUSH        |
|     | T-A 0:50                      |   |             |
| 13  | 3545940M1                     | 3 | SPACER      |
| 14  | 3665878M1                     | 2 | INSERT      |
| 15  | 3669825M1                     | 1 | SPACER      |
| 16  | 3307701M91                    | 2 | RETAINER    |
|     | ☞ SEE PAGE - REFERENCE NUMBER |   |             |
| A   | FOR FIRST DISTRIBUTOR         |   |             |
| F   | BLACK                         |   |             |
| T-A | Replacement                   |   |             |

HYDRAULICS AND LINKAGE

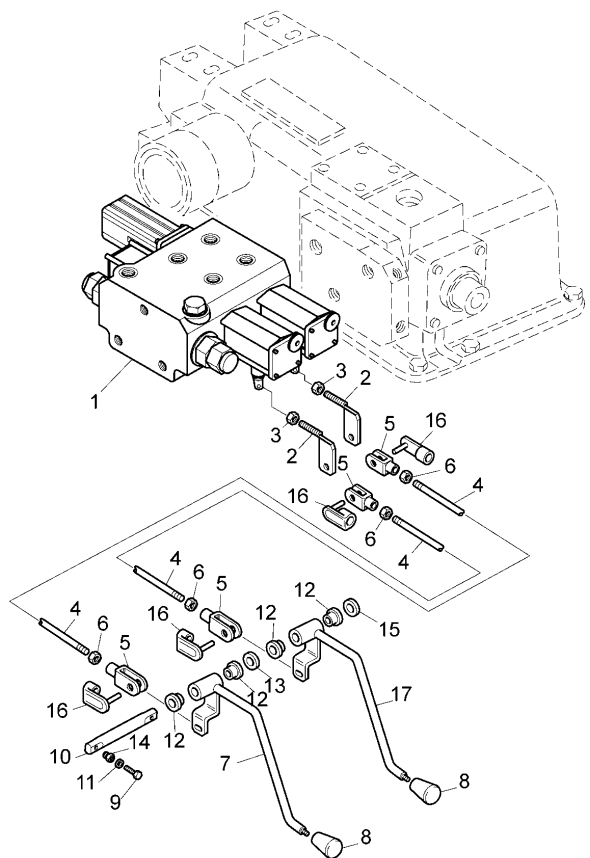
**P-42  
24**

CONTROLS ,AUXILIARY HYDRAULICS - AUXILIARIS HYDRAULICS VALVES - WITH 2.0 DISTRIBUTORES

Rex Tier 2 fp/cab  
desp. 80 F/GE



P4224



1	⊕ P-42 37 o 28 o 29	1	DISTRIBUTOR
2	3671851M92	2	LEVER
	T-A 1:0		
3	392293X1 ●	2	NUT
4	3670023M1	2	TIE ROD
	T-A 1:0		
5	392463X1	4	YOKE
	T-A 1:0		
6	339030X1 ●	4	NUT
7	3670019M91	1	LEVER
	A		
	T-A 0:50		
8	3304484M1	2	KNOB
	F		
	T-A 0:25		
9	339761X1	2	SCREW
	M8X25		
10	3546722M1	1	SHAFT
	T-A 0:50		
11	339374X1	2	LOCK & SEA
12	3546868M1	4	BUSH
	T-A 0:50		
13	3545940M1	3	SPACER
14	3665878M1	2	INSERT
15	3669825M1	1	SPACER
16	3307701M91	4	RETAINER
17	3670018M91	1	LEVER
	E		
	T-A 0:50		
⊕	SEE PAGE - REFERENCE NUMBER		
A	FOR FIRST DISTRIBUTOR		
E	FOR SECOND DISTRIBUTOR		
F	BLACK		
T-A	Replacement		

HYDRAULICS AND LINKAGE

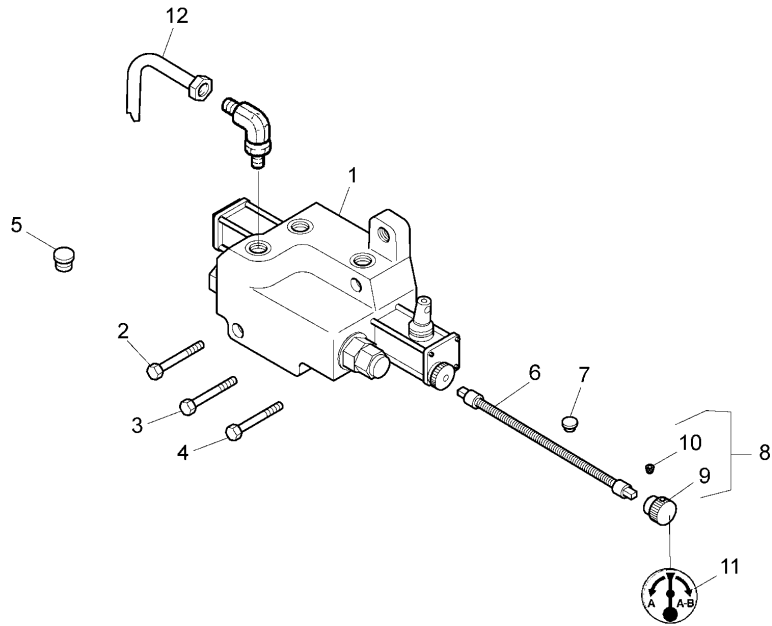
**P-42  
25**

CONTROLS ,AUXILIARY HYDRAULICS - AUXILIARIS HYDRAULICS VALVES - WITH 1.O DISTRIBUTOR

Rex Tier 2 fp/cab  
desp. 80 F/GE



P4225

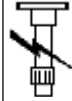


1	⊕ P-42 32 01	1 DISTRIBUTOR
2	3010595X1 M8X110	1 SCREW
3	1441763X1 M8X70	1 SCREW
4	390871X1 M8X30	1 SCREW
5	3682488M1	1 PLUG
6	3538009M91	1 CABLE
7	3548445M1	1 PLUG
8	3532741M91	1 KNOB
9	3532740M1 ● 3532741M91 (1)	1 KNOB
	! 8	
10	3009329X1 ! 8	1 SCREW
11	3550897M1	1 DECAL
12	⊕ P-42 01 26	1 PIPE
!	THIS IS A COMPONENT OF AN ASSEMBLY	
⊕	SEE PAGE - REFERENCE NUMBER	

HYDRAULICS AND LINKAGE

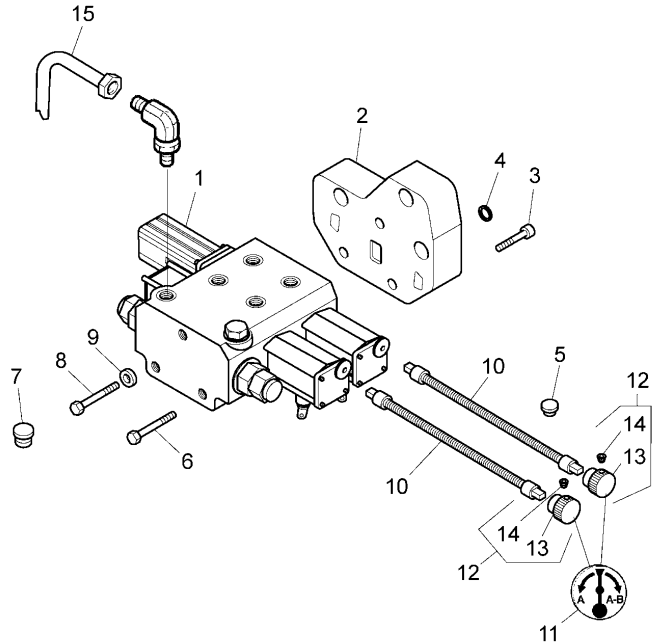
**P-42  
26**

CONTROLS ,AUXILIARY HYDRAULICS - AUXILIARIS HYDRAULICS VALVES - WITH 2.O DISTRIBUTORES



P4226

Rex Tier 2 fp/cab  
desp. 80 F/GE



- |    |                                    |               |
|----|------------------------------------|---------------|
| 1  | ⊕ P-42 27 o 28 o 29                | 2 DISTRIBUTOR |
| 2  | 3689913M1                          | 1 PLATE       |
| 3  | 390796X1 M8X25                     | 3 SCREW       |
| 4  | 3673774M1                          | 2 RING        |
| 5  | 3548445M1                          | 1 PLUG        |
| 6  | 3693872X1 M8X175                   | 3 SCREW       |
| 7  | 3682488M1                          | 1 PLUG        |
| 8  | 3015233X1 M8X135                   | 3 SCREW       |
| 9  | 1440314X1                          | 3 LOCK & SEA  |
| 10 | 3538009M91                         | 2 CABLE       |
| 11 | 3550897M1                          | 2 DECAL       |
| 12 | 3532741M91                         | 2 KNOB        |
| 13 | 3532740M1 ⊙ 3532741M91 (2)         | 2 KNOB        |
|    | ! 12                               |               |
| 14 | 3009329X1 ! 12                     | 2 SCREW       |
| 15 | ⊕ P-42 01 26                       | 1 PIPE        |
| !  | THIS IS A COMPONENT OF AN ASSEMBLY |               |
| ⊕  | SEE PAGE - REFERENCE NUMBER        |               |

HYDRAULICS AND LINKAGE

P-42  
27

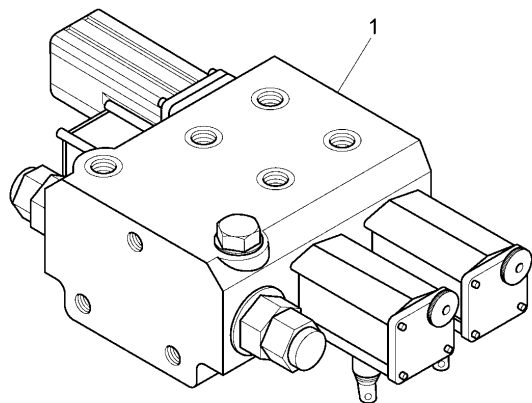
AUXILIARY DISTRIBUTOR



P4227

Rex Tier 2 fp/cab  
desp. 80 F/GE

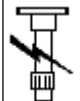
- 1 3689904M91 ● 3689904M93 (1) 1 DISTRIBUTO
- A 1 STANDARD DISTRIBUTION DEVICE + 1 FLOATING DISTRIBUTION DEVICE



HYDRAULICS AND LINKAGE

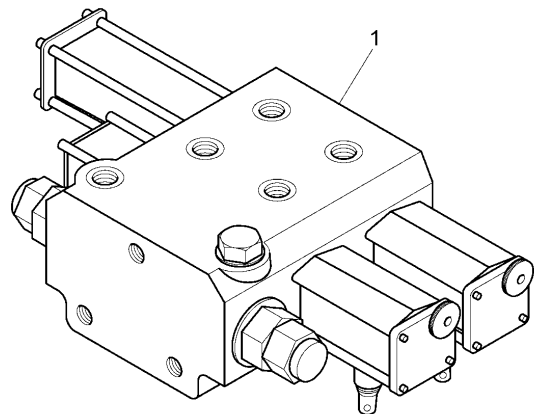
P-42  
28

AUXILIARY DISTRIBUTOR KICK-OUT



P4228

Rex Tier 2 fp/cab  
desp. 80 F/GE



- 1 3693018M91 ● 3693018M93 (1) 1 DISTRIBUTO
- A 1 STANDARD DISTRIBUTION DEVICE + 1 KICK-OUT DISTRIBUTION DEVICE

HYDRAULICS AND LINKAGE

P-42  
29

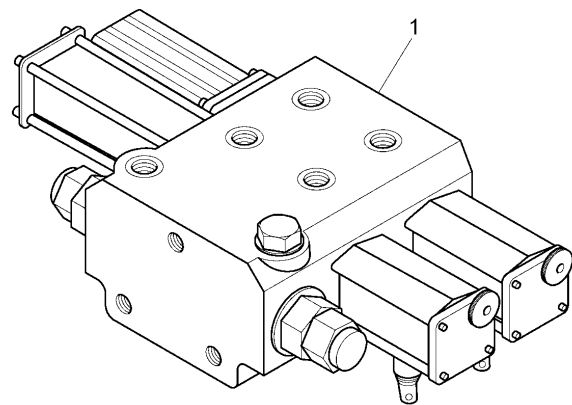
AUXILIARY DISTRIBUTOR KICK-OUT

Rex Tier 2 fp/cab  
desp. 80 F/GE



P4229

- 1 3693017M91 ● 3693017M93 (1) 1 DISTRIBUTO  
A
- A 1 FLOATING DISTRIBUTION DEVICE +1 KICK-OUT DISTRIBUTION  
DEVICE

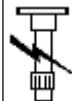




HYDRAULICS AND LINKAGE

**P-42**  
**30**

AUXILIARY STANDARD DISTRIBUTOR

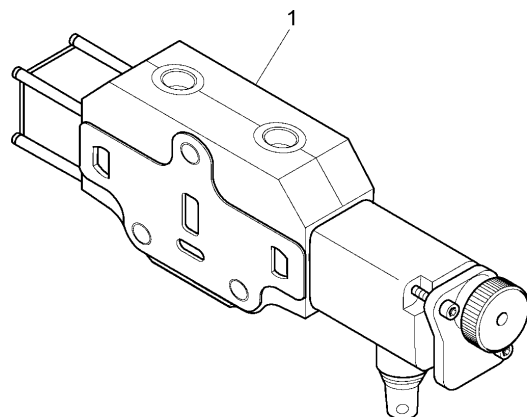


P4230

Rex Tier 2 fp/cab  
desp. 80 F/GE

1 3689908M91

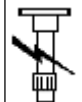
1 DISTRIBUTO



HYDRAULICS AND LINKAGE

P-42  
31

AUXILIARY FLOATING DISTRIBUTOR

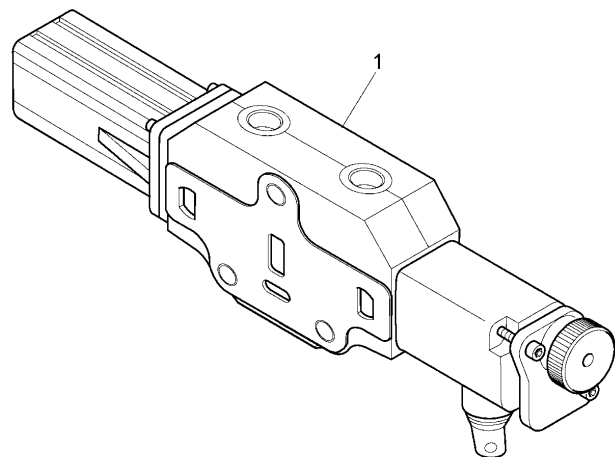


P4231

Rex Tier 2 fp/cab  
desp. 80 F/GE

1 3693876M91

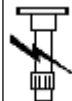
1 CONTROL VA



HYDRAULICS AND LINKAGE

P-42  
32

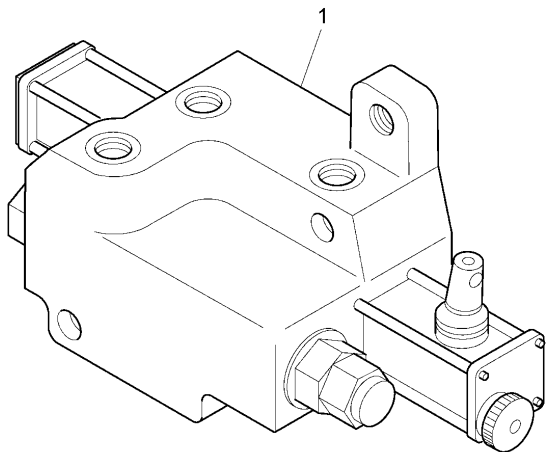
AUXILIARY DISTRIBUTOR KICK-OUT



P4232

Rex Tier 2 fp/cab  
desp. 80 F/GE

1 3692028M91 ● 3692028M93 (1) 1 DISTRIBUTO



FRONT SHEET METAL

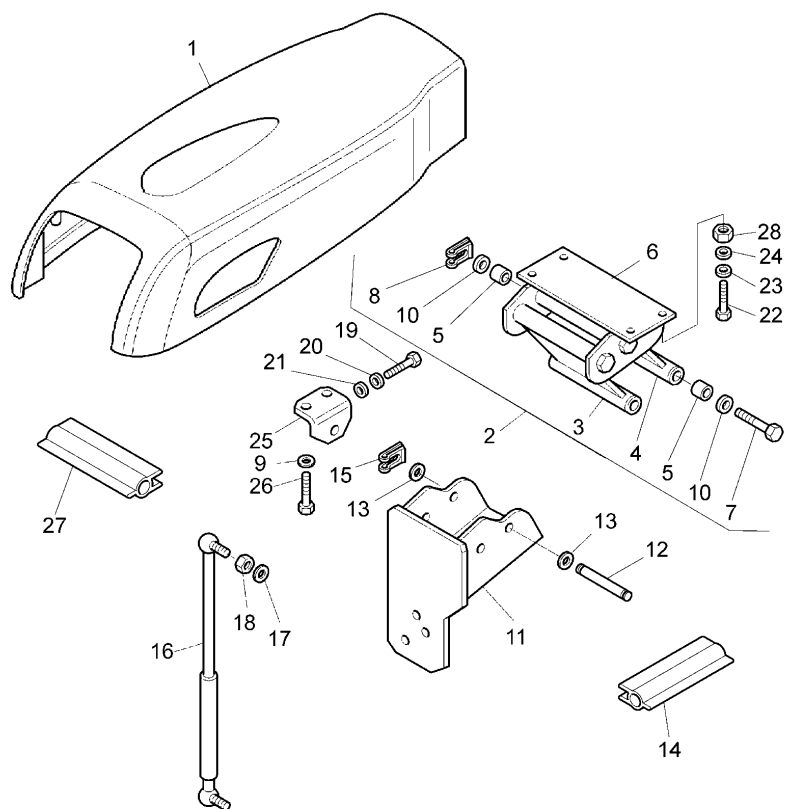
R-20  
01

SHEET METAL - "HOOD" - BONNET SUPPORT



R2001

Rex Tier 2 fp/cab  
desp. 80 F/GE



1		☞ R-20 02 01	1	BONNET
2	3677417M94		1	HINGE
		T-A 1:0		
3	3677397M92	! 2	1	CONROD
4	3677400M92	! 2	1	CONROD
5	3677412M1	! 2	8	BUSH
6	3669306M94	! 2	1	STIRRUP
7	3679764M2	! 2	2	PIN
		M10X130		
8	3533153M1	! 2	4	CLIP
9	339381X1		2	LOCK WASHE
10	390734X1	! 2	4	WASHER
11	3669307M92		1	SUPPORT
		T-A 1:25		
12	3679764M2	M10X130	2	PIN
13	390734X1		4	WASHER
14	3648329M1		2	GASKET
15	3533153M1		4	CLIP
16	3673025M91	● 3694066M91 (1) 250N (X) 0.1.3.5 T-A 0:25	1	SPRING
		● 394367X1 (2)		
17	339169X1		2	NUT
18	339374X1		2	LOCK & SEA
19	339401X1	M10X25	2	SCREW
20	390734X1		2	WASHER
21	1440314X1		2	LOCK & SEA
22	3015459X1	M6X18	4	SCREW
23	3532803M2		4	DISC
24	391038X1		4	LOCK WASHE

FRONT SHEET METAL

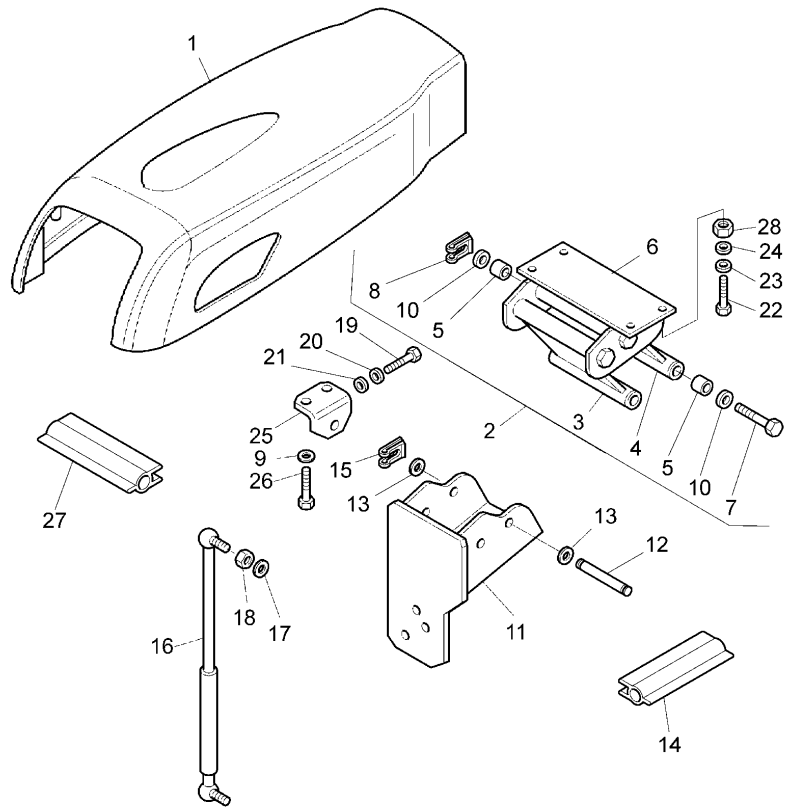
R-20  
01

SHEET METAL - "HOOD" - BONNET SUPPORT



R2001

Rex Tier 2 fp/cab  
desp. 80 F/GE



- 25 3672992M1
- 26 3007932X1
- 27 3304808M1
- 28 1442021X1

T-A 0:25  
M5X12

- 1 NAMEPLATE
- 2 SCREW
- 1 GASKET
- 4 NUT

! THIS IS A COMPONENT OF AN ASSEMBLY  
👁 SEE PAGE - REFERENCE NUMBER  
T-A Replacement  
(X) QTY PER TRACTORS SOLD (AA.BBB.CCC.DDD) (AA) FOR  
1,(BBB) 2-10 (CCC) 11-25 (DDD) 26-50

FRONT SHEET METAL

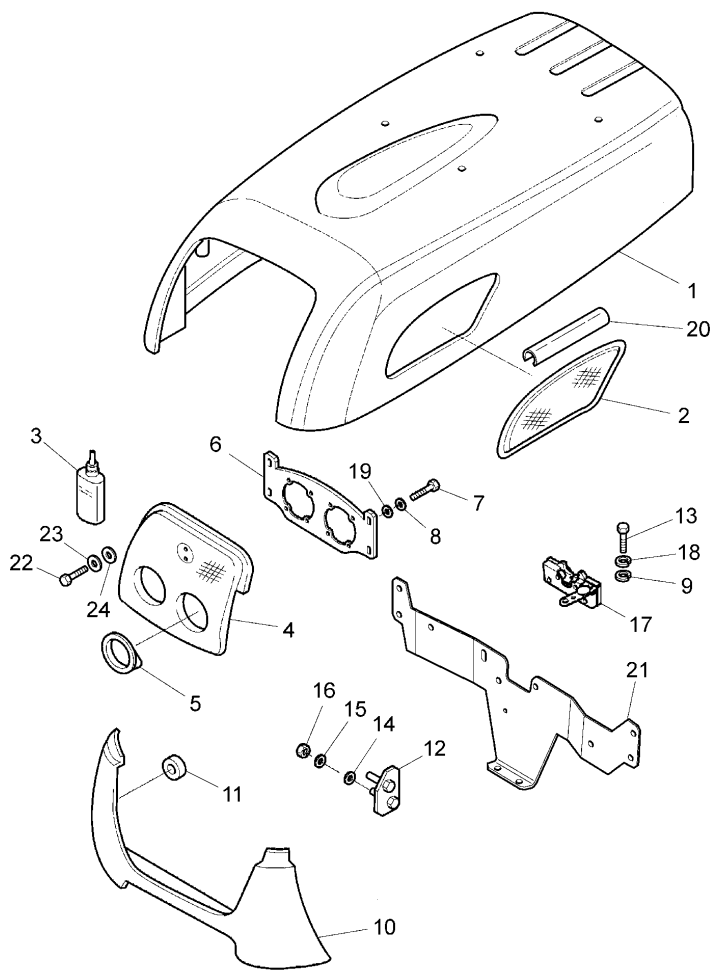
R-20  
02

SHEET METAL - "HOOD"

Rex Tier 2 fp/cab  
desp. 80 F/GE



R2002



1	3670297M94	A	1	BONNET
		T-A 1:0		
		T-B 1:50		
1	3670298M94	B	1	BONNET
2	3660326M1	◀	1	GRILLE
		T-A 0:50		
2	3660327M1	▶	1	GRILLE
		T-A 0:50		
3	3552262M1	●	999	LOCTITE
		3684730M1 (999)		
4	3668742M94	A	1	GRILLE
		T-A 1:0		
5	3668740M1	◀	1	SKIRT
		A		
		T-A 0:75		
5	3668741M1	▶	1	SKIRT
		A		
		T-A 0:75		
6	3668743M91		1	SUPPORT
		T-A 0:75		
7	3009532X1		4	SCREW
		M4X16		
8	3001856X1		4	WASHER
9	390971X1		2	WASHER
10	3668466M93	A	1	FRONT
		T-A 1:50		
10	3668467M93	B	1	FRONT

FRONT SHEET METAL

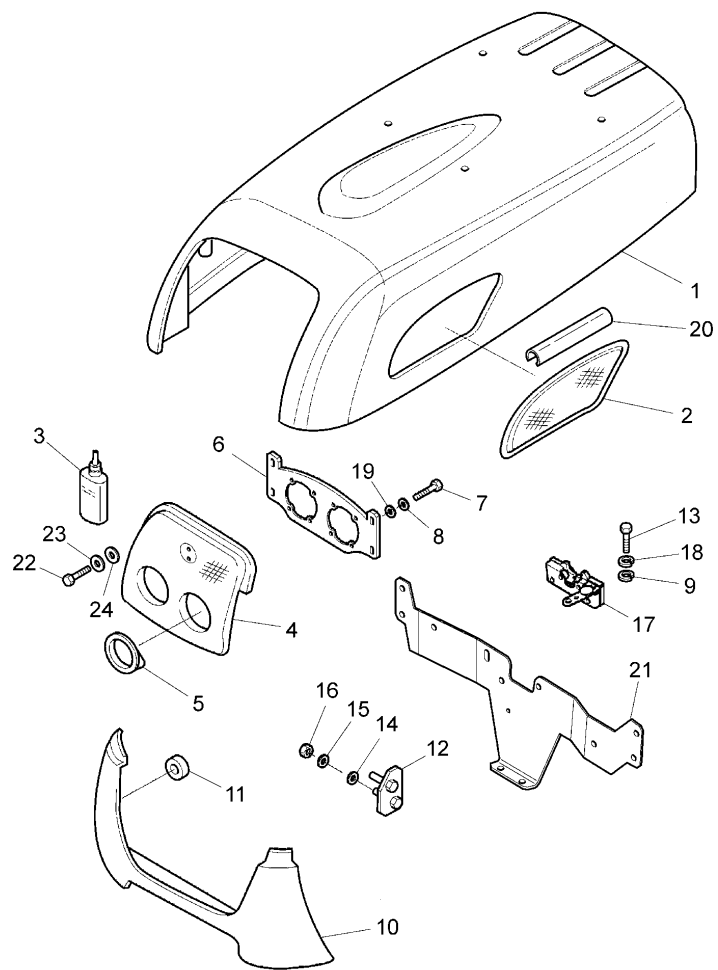
R-20  
02

SHEET METAL - "HOOD"



R2002

Rex Tier 2 fp/cab  
desp. 80 F/GE



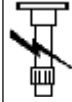
- |    |            |                |   |            |
|----|------------|----------------|---|------------|
| 11 | 3673494M1  |                | 4 | SPACER     |
| 12 | 3673275M93 | ◀              | 1 | NAMEPLATE  |
| 12 | 3677028M92 | ▶              | 1 | NAMEPLATE  |
| 13 | 339666X1   | M6X20          | 2 | SCREW      |
| 14 | 339056X1   |                | 4 | WASHER     |
| 15 | 339374X1   |                | 4 | LOCK & SEA |
| 16 | 339169X1   | ● 394367X1 (4) | 4 | NUT        |
| 17 | 3670765M1  | T-A 0:25       | 1 | LOCK       |
| 18 | 339375X1   |                | 2 | LOCK WASHE |
| 19 | 339382X1   |                | 4 | WASHER     |
| 20 | 3665997M1  | ◄ 0.72 MT      | 1 | PROFILE    |
| 21 |            | ◇ R-20 03 02   | 1 | SUPPORT    |
| 22 | 3007932X1  | M5X12          | 4 | SCREW      |
| 23 | 339381X1   |                | 4 | LOCK WASHE |
| 24 | 3019560X1  |                | 3 | LOCK WASHE |

- ◇ SEE PAGE - REFERENCE NUMBER
- A WITH BLUE SHEET METAL
- B WITH RED SHEET METAL
- ◀ LEFT HAND
- ▶ RIGHT HAND
- ◄ LENGTH
- T-A Replacement
- T-B Overhaul

FRONT SHEET METAL

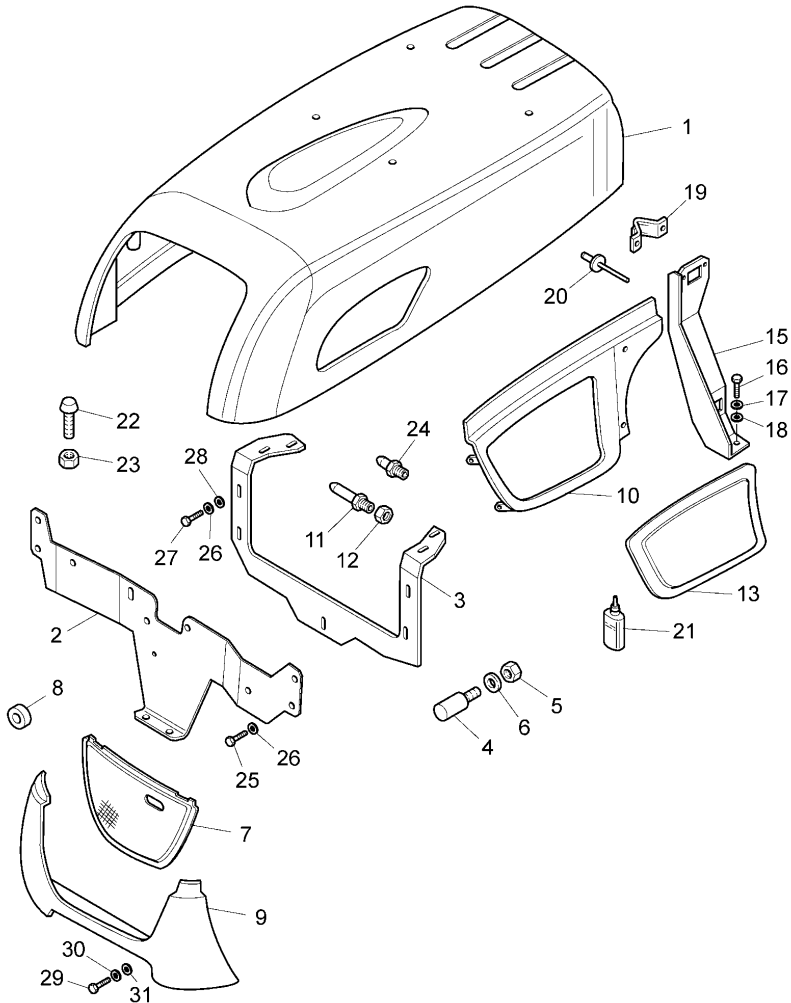
R-20  
03

SHEET METAL - "HOOD"



R2003

Rex Tier 2 fp/cab  
desp. 80 F/GE



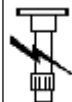
- |    |              |   |         |
|----|--------------|---|---------|
| 1  | ↻ R-20 02 01 | 1 | BONNET  |
| 2  | 3668460M4    | 1 | SUPPORT |
| 3  | 3670687M93   | 1 | SUPPORT |
| 4  | 3671439M2    | 1 | PIN     |
| 5  | 1440329X1    | 1 | NUT     |
| 6  | 390734X1     | 2 | WASHER  |
| 7  | 3670801M93 ▼ | 1 | GRILLE  |
| 8  | 3556355M2    | 1 | CHOCK   |
| 9  | ↻ R-20 02 10 | 1 | FRONT   |
| 10 | 3671120M92 ◀ | 1 | BOARD   |
|    | A            |   |         |
|    | T-A 0:25     |   |         |
| 10 | 3671121M92 ◀ | 1 | BOARD   |
|    | B            |   |         |
| 10 | 3671150M92 ▶ | 1 | BOARD   |
|    | A            |   |         |
|    | T-A 0:25     |   |         |
| 10 | 3671151M92 ▶ | 1 | BOARD   |
|    | B            |   |         |
| 11 | 3581422M1    | 2 | PIN     |
| 12 | 1440207X1 ●  | 2 | NUT     |
| 13 | 3668610M1 ▶  | 1 | GRILLE  |
|    | T-A 0:50     |   |         |
| 13 | 3668682M1 ◀  | 1 | GRILLE  |
|    | T-A 0:50     |   |         |



FRONT SHEET METAL

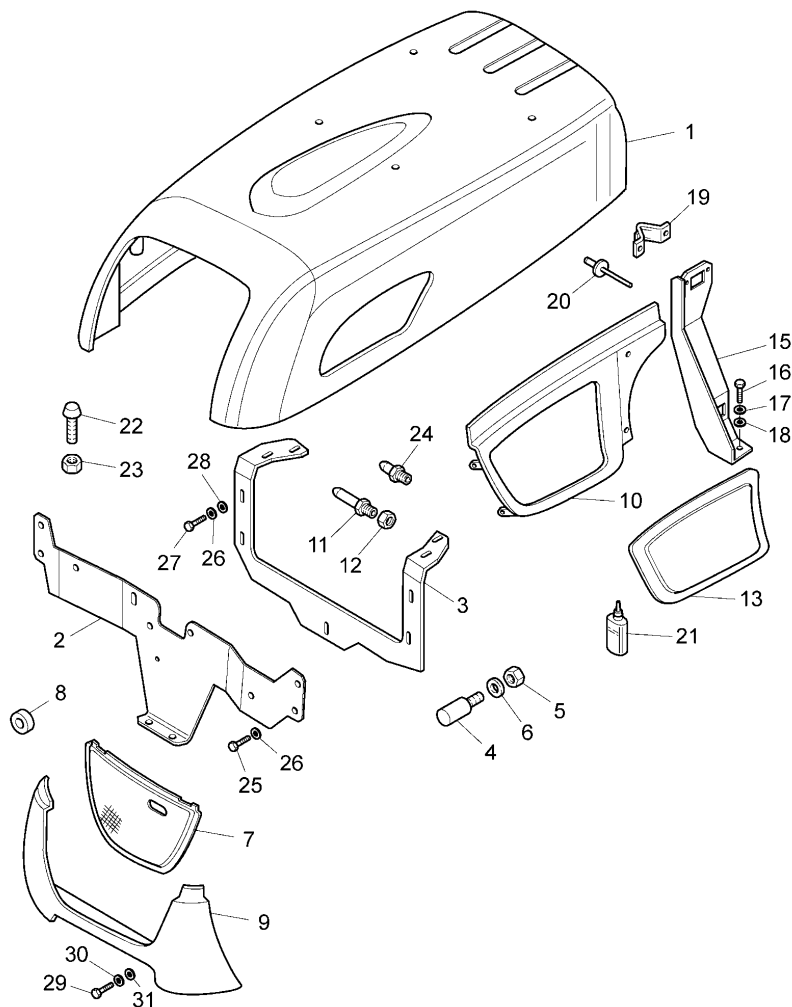
R-20  
03

SHEET METAL - "HOOD"



R2003

Rex Tier 2 fp/cab  
desp. 80 F/GE



- |    |            |   |                 |     |            |
|----|------------|---|-----------------|-----|------------|
| 15 | 3670766M93 | ▶ |                 | 1   | SUPPORT    |
| 15 | 3670767M93 | ◀ | T-A 0:50        | 1   | SUPPORT    |
| 16 | 339761X1   |   | T-A 0:50        | 4   | SCREW      |
| 17 | 390972X1   |   | M8X25           | 4   | WASHER     |
| 18 | 339374X1   |   |                 | 4   | LOCK & SEA |
| 19 | 3388153M1  |   |                 | 4   | CROSSPIECE |
| 20 | 392898X1   |   |                 | 8   | RIVET      |
| 21 | 3552262M1  | ● | 3684730M1 (999) | 999 | LOCTITE    |
| 22 | 3683535M2  |   |                 | 2   | PAD        |
| 23 | 339030X1   | ● | 1441500X1 (2)   | 2   | NUT        |
| 24 | 3581423M1  |   |                 | 2   | PIN        |
| 25 | 391074X1   |   | M6X12           | 4   | SCREW      |
| 26 | 339375X1   |   |                 | 8   | LOCK WASHE |
| 27 | 339560X1   |   | M6X16           | 4   | SCREW      |
| 28 | 391038X1   |   |                 | 4   | WASHER     |
| 29 | 3007932X1  |   | M5X12           | 1   | SCREW      |
| 30 | 339381X1   |   |                 | 1   | LOCK WASHE |
| 31 | 3019560X1  |   |                 | 1   | LOCK WASHE |
- ◊ SEE PAGE - REFERENCE NUMBER
- A WITH BLUE SHEET METAL
- B WITH RED SHEET METAL
- ▼ LOWER COMPONENT
- ◀ LEFT HAND
- ▶ RIGHT HAND
- T-A Replacement

FRONT SHEET METAL

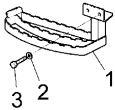
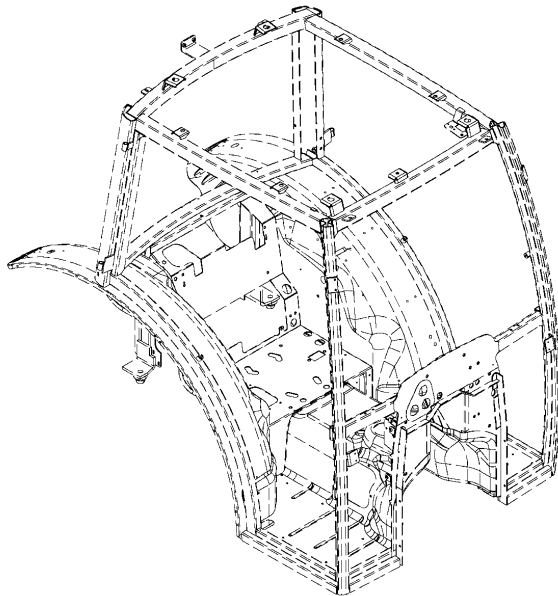
R-20  
04

PLATFORM - STEP / STAIRS



R2004

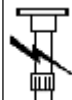
Rex Tier 2 fp/cab  
desp. 80 F/GE



- |   |              |             |   |            |
|---|--------------|-------------|---|------------|
| 1 | 3667103M91 ◀ |             | 1 | LADDER     |
|   |              | T-A 0:25    |   |            |
| 2 | 1440314X1    | Ø 10        | 2 | LOCK & SEA |
| 3 | 3009494X1    | M10X35      | 2 | SCREW      |
|   | ◀            | LEFT HAND   |   |            |
|   | Ø            | DIAMETER    |   |            |
|   | T-A          | Replacement |   |            |

FRONT SHEET METAL

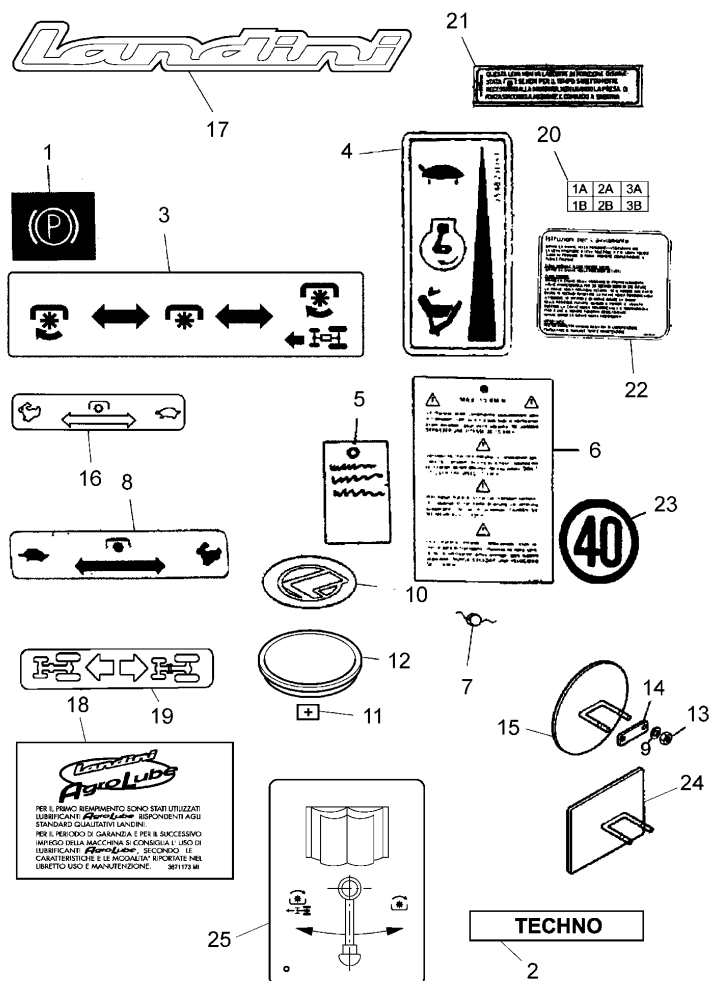
R-20  
05



R2005

Rex Tier 2 fp/cab  
desp. 80 F/GE

DECALS



- |    |            |   |               |   |            |
|----|------------|---|---------------|---|------------|
| 1  | 3549287M1  | ● | 3549287M2 (1) | 1 | DECAL      |
|    |            |   | T-A 0:25      |   |            |
| 2  | 3692720M1  |   |               | 1 | DECAL      |
| 3  | 3658851M2  |   |               | 1 | DECAL      |
|    |            |   | T-A 0:25      |   |            |
| 4  | 3308395M1  |   |               | 1 | DECAL      |
|    |            |   | T-A 0:25      |   |            |
| 5  | 3304893M2  |   |               | 1 | TAG        |
| 6  | 3532994M2  |   |               | 1 | NOTE PLATE |
| 7  | 3648192M1  |   |               | 1 | SEALER     |
| 8  | 3533796M1  |   |               | 1 | DECAL      |
|    |            |   | T-A 0:25      |   |            |
| 9  | 390971X1   |   | V             | 2 | WASHER     |
| 10 | 3652102M1  |   |               | 1 | MEDALLION  |
|    |            |   | T-A 0:25      |   |            |
| 11 | 3552504M2  |   |               | 1 | SPRING     |
|    |            |   | T-A 0:25      |   |            |
| 12 | 3652098M1  |   |               | 1 | SUPPORT    |
|    |            |   | T-A 0:25      |   |            |
| 13 | 339030X1   | ● | 1441500X1 (2) | 2 | NUT        |
|    |            |   | V             |   |            |
| 14 | 3652883M1  |   | V             | 1 | NAMEPLATE  |
| 15 | 3652879M91 | ⊕ |               | 1 | SUPPORT    |
|    |            | ⊖ | V             |   |            |
| 16 | 3535607M1  |   |               | 1 | DECAL      |

FRONT SHEET METAL

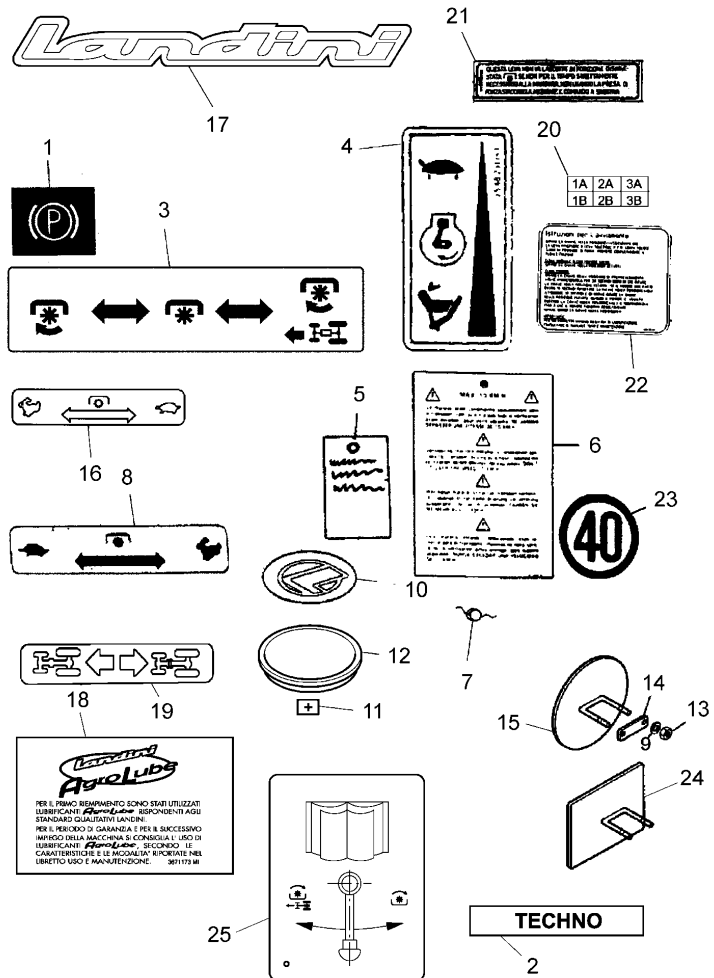
R-20  
05



R2005

Rex Tier 2 fp/cab  
desp. 80 F/GE

DECALS



17	3652424M1		2	DECAL
18	3671173M1		1	DECAL
19	3535080M1	⊕	1	DECAL
20	3532818M3	D	1	DECAL
21	3548225M1	E	1	DECAL
21	3548226M1	F	1	DECAL
21	3548227M1	H	1	DECAL
21	3548228M1	L	1	DECAL
21	3548229M1	M	1	DECAL
21	3548228M1	N	1	DECAL
21	3548229M1	P	1	DECAL
22	3554751M1	R	1	DECAL
22	3554759M1	G	1	DECAL
22	3554762M1	E	1	DECAL
22	3554765M1	F	1	DECAL
22	3554768M1	H	1	DECAL
22	3554768M1	L	1	DECAL
23	3537678M1	M	1	DECAL
23	3547386M1	N	1	DECAL
23	3549983M1	P	1	DECAL
23	3549984M2	R	1	DECAL
23	3549984M2	G	1	DECAL
23	3549984M2	●	1	DECAL
23	3549984M2	⊕	1	DECAL
23	3549984M2	V	1	DECAL
23	3549984M2	V	1	DECAL
23	3549984M2	Z	1	DECAL
23	3549984M2	S	1	DECAL
23	3549984M2	U	1	DECAL
23	3549984M2	⊕	1	DECAL
23	3549984M2	S	1	DECAL
23	3549984M2	U	1	DECAL

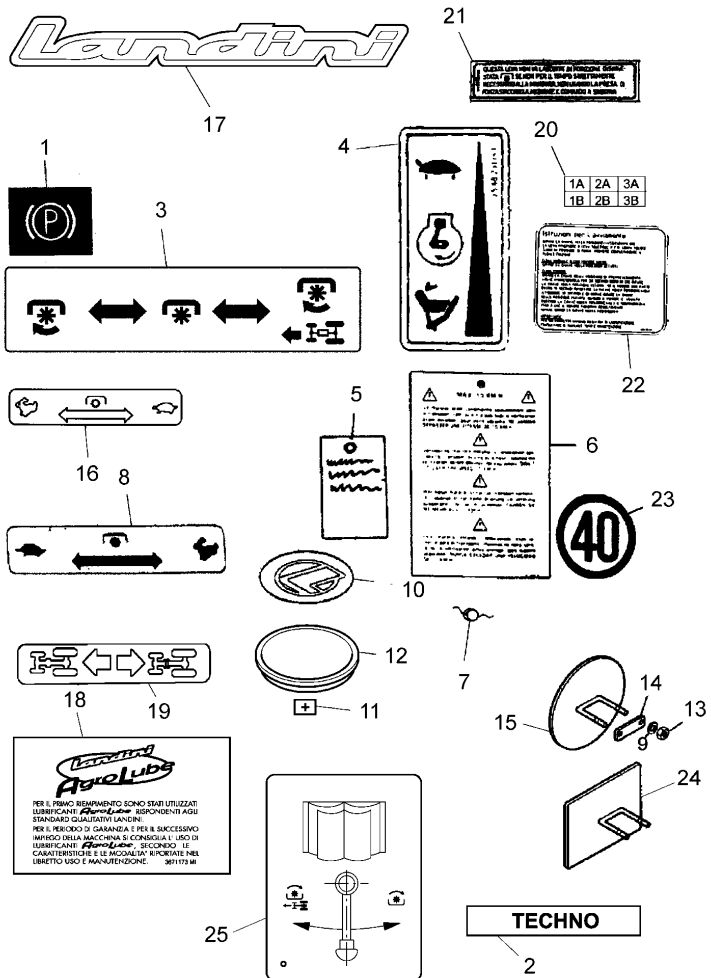
FRONT SHEET METAL

R-20  
05

DECALS

Rex Tier 2 fp/cab  
desp. 80 F/GE

R2005



- 23 3650718M2 ① 1 DECAL
- 24 3669081M92 V 1 SUPPORT
- Z
- 25 3683782M1 ● N.L.A. (1) 1 DECAL
- A

- ① FOR GERMANY ONLY
- ① FOR ITALY ONLY
- A WITH SYNCHRON POWER TAKE OFF
- 4 WHEEL DRIVE
- D FOR 4 WD CONTROL
- E ITALIAN
- F GREEK
- G GERMAN
- H IN ENGLISH
- L DUTCH
- M SWEDISH
- N IN FRENCH
- P SPANISH
- R PORTUGUESE
- S VERSION "F"
- T-A Replacement
- U WITH CAB
- V WITH PLATFORM
- Z AUSTRIA ONLY

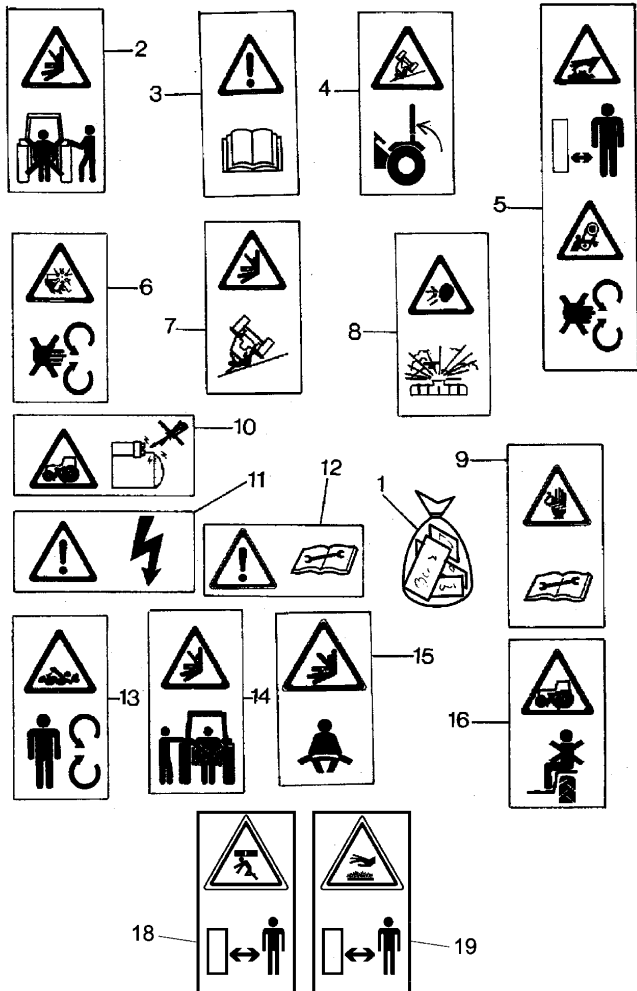
FRONT SHEET METAL

R-20  
06

DECALS

Rex Tier 2 fp/cab desp. 80 F/GE

R2006



		A		
1	3559552M95			1 KIT
2	3647299M1	● N.L.S. (1) ! 1		1 DECAL
3	3559559M1	● N.L.S. (2) ! 1 T-A 0:25		2 DECAL
4	3647033M1	● N.L.S. (1) ! 1 T-A 0:25		1 DECAL
5	3559558M1	● N.L.S. (1) ! 1 T-A 0:25		1 DECAL
6	3559556M1	● 3559552M95 (2) ! 1 T-A 0:25		2 DECAL
7	3559557M1	● N.L.S. (1) ! 1 T-A 0:25		1 DECAL
8	3559554M1	● N.L.S. (1) ! 1 T-A 0:25		1 DECAL
9	3647158M1	● N.L.S. (1) ! 1 T-A 0:25		1 DECAL

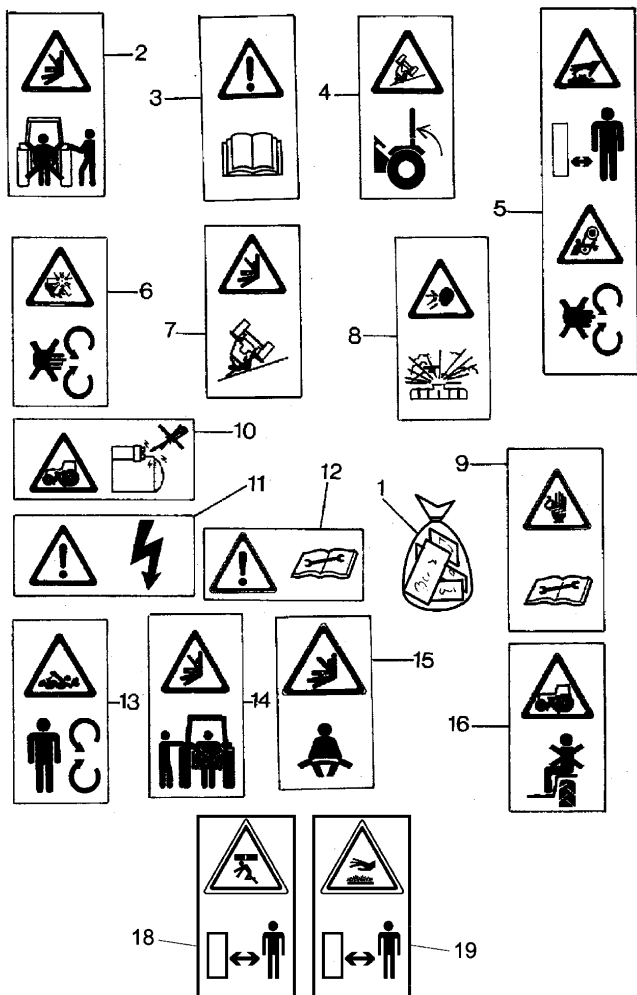
FRONT SHEET METAL

R-20  
06

DECALS

Rex Tier 2 fp/cab desp. 80 F/GE

R2006



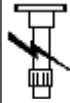
10	3648152M1	●	N.L.S. (1)	1	DECAL
		!	T-A 0:25		
11	3559555M1	●	N.L.S. (1)	1	DECAL
		!	T-A 0:25		
12	3647157M1	●	N.L.S. (1)	1	DECAL
		!	T-A 0:25		
13	3559553M1	●	N.L.S. (1)	1	DECAL
		!	T-A 0:25		
14	3647463M1	●	N.L.S. (1)	1	DECAL
		!	T-A 0:25		
		▲			
15	3648447M1	●	N.L.S. (1)	1	DECAL
		!	T-A 0:25		
16	3647032M1	●	N.L.S. (1)	1	DECAL
		!	T-A 0:25		
17	3647643M1	●	N.L.S. (1)	1	DECAL
		!	B		
18	3664188M1	!	1	1	DECAL
19	3664275M1	!	1	3	DECAL

FRONT SHEET METAL

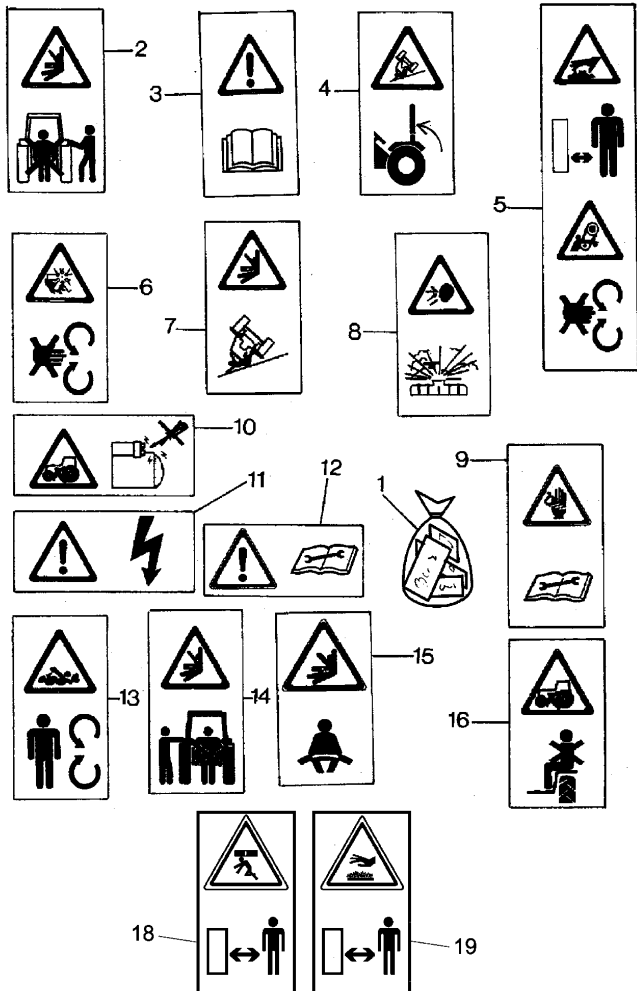
R-20  
06

DECALS

Rex Tier 2 fp/cab  
desp. 80 F/GE



R2006



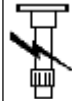
20	3671629M1	!	1	1	DECAL
			B		
21	3671630M1	!	1	1	DECAL
			B		
!	THIS IS A COMPONENT OF AN ASSEMBLY				
A	OTHER MARKETS				
B	NOT ILLUSTRATED				
◀	LEFT HAND				
▶	RIGHT HAND				
T-A	Replacement				



FRONT SHEET METAL

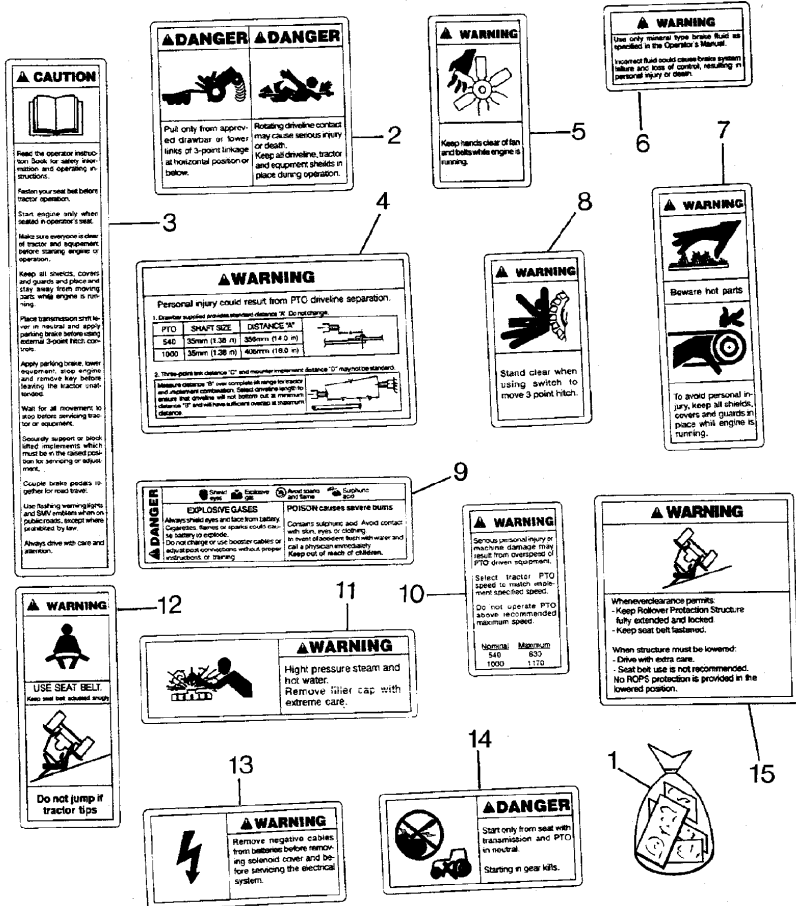
R-20  
07

DECALS



R2007

Rex Tier 2 fp/cab  
desp. 80 F/GE

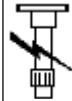


Quantity	Part Number	Notes	Quantity	Description
1	3558702M97	a	1	KIT
2	3558704M1	● N.L.S. (1) ! 1 T-A 0:25	1	DECAL
3	3558703M1	! 1 T-A 0:25	1	DECAL
4	3558709M1	● N.L.S. (1) ! 1 T-A 0:25	1	DECAL
5	3558712M1	● N.L.S. (2) ! 1 T-A 0:25	2	DECAL
6	3647156M1	! 1 T-A 0:25	2	DECAL
7	3558706M1	! 1 T-A 0:25	2	DECAL
8	3647155M1	● 3558702M97 (2) ! 1 T-A 0:25	2	DECAL
9	3558711M1	! 1 T-A 0:25	1	DECAL
10	3558710M1	! 1 T-A 0:25	1	DECAL

FRONT SHEET METAL

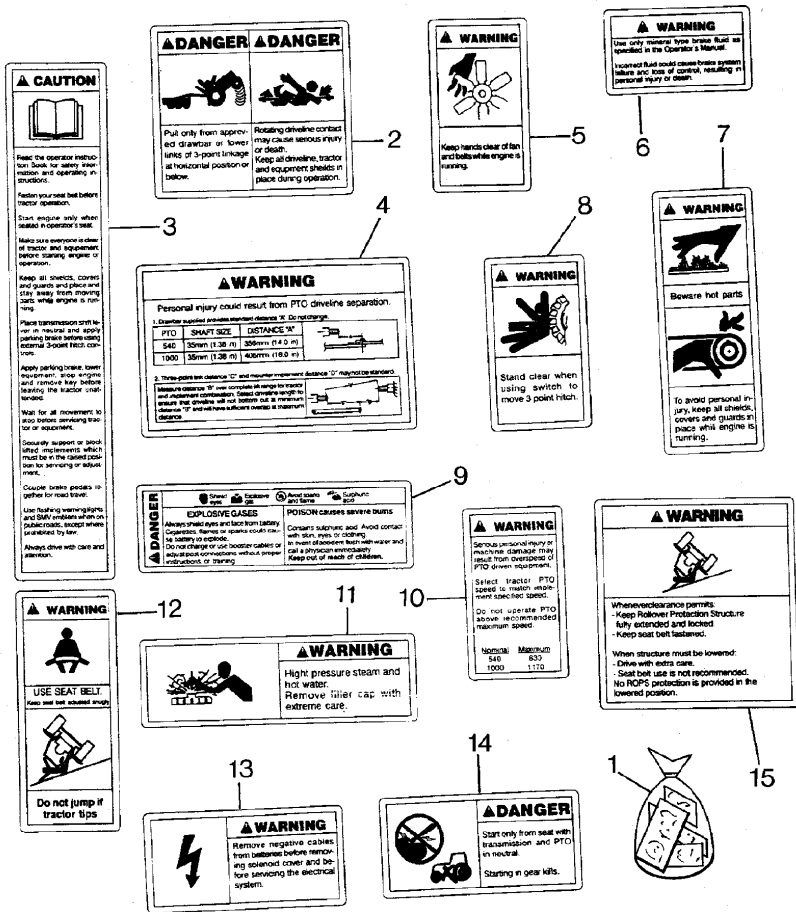
R-20  
07

DECALS



R2007

Rex Tier 2 fp/cab  
desp. 80 F/GE



11	3558708M1	●	N.L.S. (1)	1	DECAL
		!	1		
			T-A 0:25		
12	3558707M1	!	1	1	DECAL
			T-A 0:25		
13	3558705M1	!	1	1	DECAL
			T-A 0:25		
14	3648153M2	!	1	1	DECAL
			T-A 0:25		
15	3647053M1	!	1	1	DECAL
			T-A 0:25		
17	3649711M1	!	1	1	DECAL
			D		
			E		
18	3649794M1	!	1	2	DECAL
			E		
19	3658327M1	!	1	1	DECAL
			E		
20	3658323M1	●	N.L.S. (1)	1	DECAL
		!	1		
			E		
!			THIS IS A COMPONENT OF AN ASSEMBLY		
a			FOR MARKET "N.A.O."		
B			MINERAL BRAKE FLUID		
D			DO NOT SIT SOWN		
E			NOT ILLUSTRATED		
T-A			Replacement		

FRONT SHEET METAL

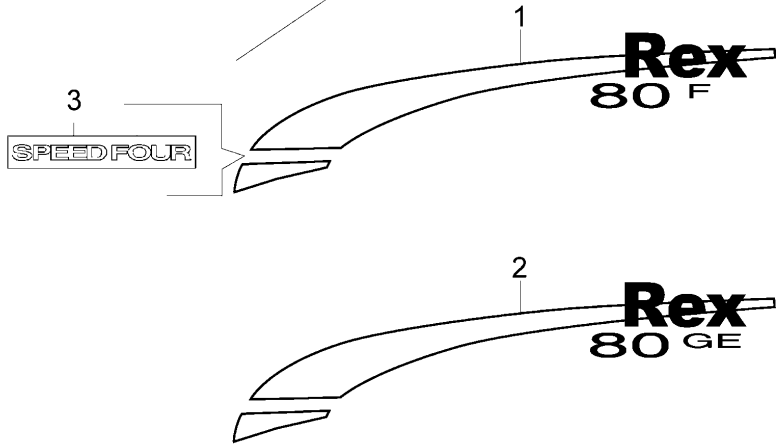
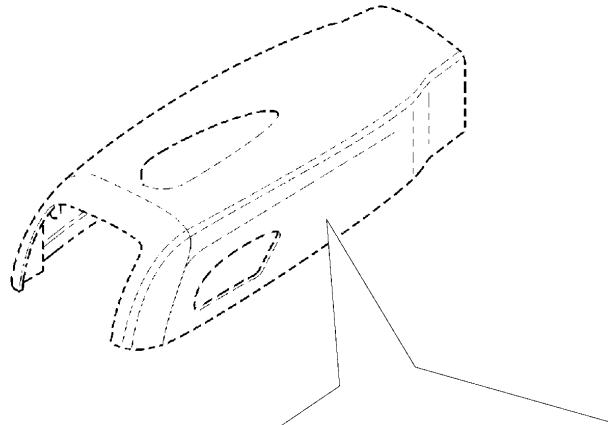
R-20  
08

DECALS - HOOD

Rex Tier 2 fp/cab  
desp. 80 F/GE



R2008

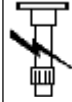


1	3675366M2	◀	A	1	DECAL
			E		
1	3675367M2	▶	A	1	DECAL
			E		
1	3680938M1	◀	A	1	DECAL
			F		
1	3680939M1	▶	A	1	DECAL
			F		
2	3675374M2	◀	B	1	DECAL
			E		
2	3675375M2	▶	B	1	DECAL
			E		
2	3681186M1	◀	B	1	DECAL
			F		
2	3681187M1	▶	B	1	DECAL
			F		
3	3676520M1		C	2	DECAL
A	VERSION "F"				
B	VERSION "GE"				
C	WITH MECHANICAL REVERSING DEVICE				
E	WITH BLUE SHEET METAL				
F	WITH RED SHEET METAL				
◀	LEFT HAND				
▶	RIGHT HAND				

FRONT SHEET METAL

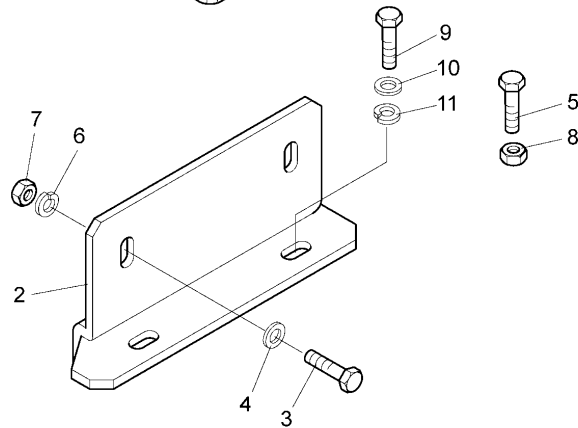
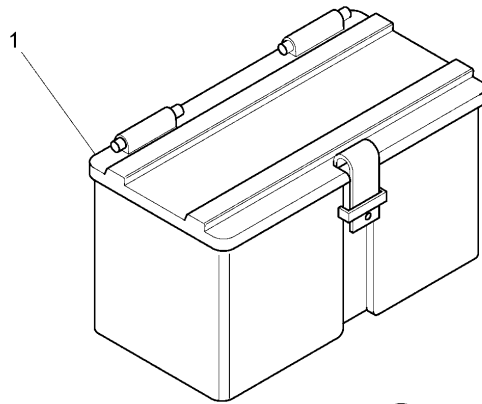
R-20  
09

TOOL BOX



R2009

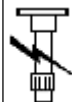
Rex Tier 2 fp/cab  
desp. 80 F/GE



1	3548238M2		1	BOX
2	3676310M91		1	SUPPORT
3	339761X1	T-A 0:25	2	SCREW
4	391039X1	M8X25	2	WASHER
4	391039X1	A	4	WASHER
5	339337X1	B	2	SCREW
		M8X30		
6	339374X1		2	LOCK WASHER
7	339169X1	● 394367X1 (2)	2	NUT
		B		
8	392439X1	B	2	NUT
9	339123X1	B	2	SCREW
		M8X20		
10	339374X1	B	2	WASHER
11	391039X1	B	2	WASHER
A		WITH CAB		
B		WITH PLATFORM		
T-A		Replacement		

FRONT SHEET METAL

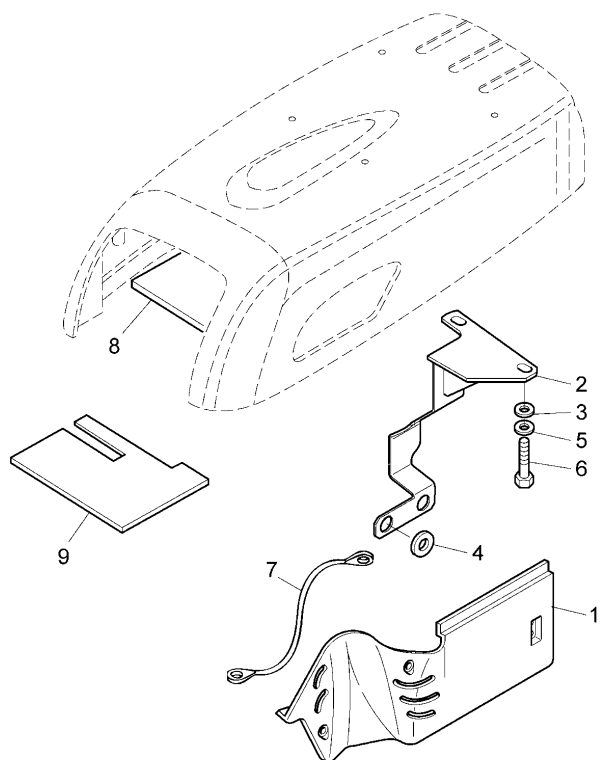
R-20  
10



R2010

Rex Tier 2 fp/cab  
desp. 80 F/GE

SOUNDPROOFING KIT



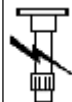
- |   |              |                    |   |            |
|---|--------------|--------------------|---|------------|
| 1 | 3672854M93 ▶ | A<br>E<br>T-A 0:25 | 1 | BOARD      |
| 1 | 3678452M91 ● | 3678452M92 (1)     | 1 | BOARD      |
|   | ▶            | A<br>E<br>T-A 0:25 |   |            |
| 2 | 3674452M92 ▶ | A<br>E             | 1 | STIRRUP    |
| 3 | 1440314X1    | A<br>E             | 2 | LOCK & SEA |
| 4 | 3556364M1    | A<br>E             | 4 | CHOCK      |
| 5 | 339081X1     | M10X20             | 2 | SCREW      |
| 6 | 390734X1     |                    | 2 | WASHER     |
| 7 | 3649821M91   | C<br>D             | 2 | CABLE      |
| 8 | 3657700M1    | F                  | 1 | WAX FILM   |
| 9 | 3676232M1    | A<br>E             | 1 | GUARD      |

A WITH EEC AND NORTH AMERICA HOMOLOGAZION  
 C FOR MARKET "N.A.O."  
 D WITH CAB  
 E WITH PLATFORM  
 F WITHOUT POSTERIOR FLANKS  
 ◀ LEFT HAND  
 ▶ RIGHT HAND  
 T-A Replacement

FRONT SHEET METAL

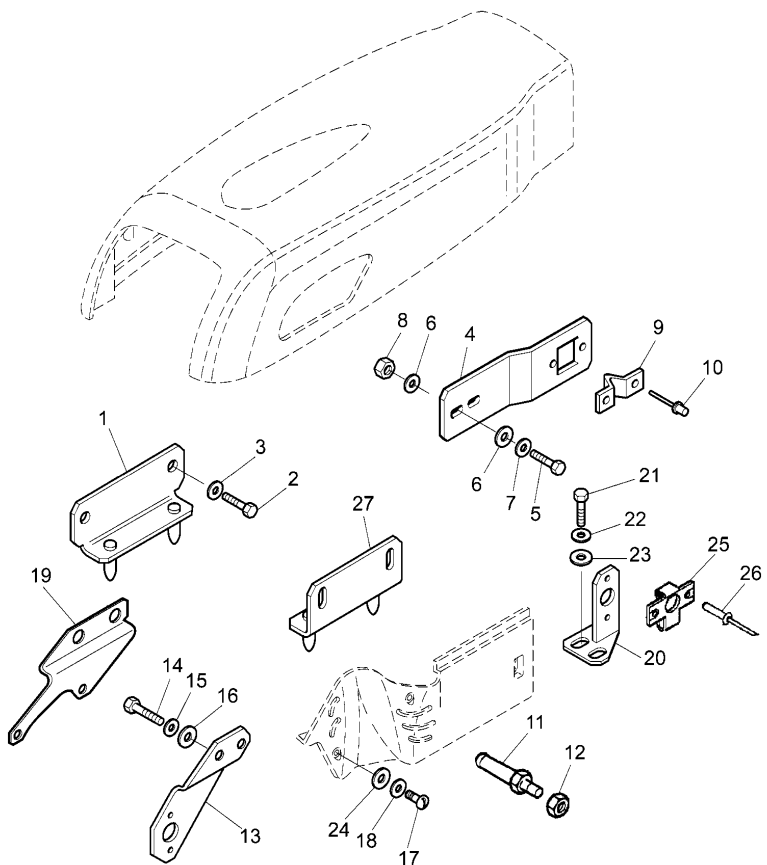
R-20  
11

SOUNDPROOFING KIT



R2011

Rex Tier 2 fp/cab  
desp. 80 F/GE

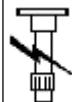


1	3674516M91		2	STIRRUP
2	391074X1	A	4	SCREW
3	339375X1	B	4	LOCK WASHE
4	3674448M1	T-A 0:25	2	STIRRUP
5	339666X1	M6X12	4	SCREW
6	390971X1	T-A 0:25	8	WASHER
7	339375X1	M6X20	4	LOCK WASHE
8	339030X1	● 1441500X1 (4)	4	NUT
9	3388153M1	T-A 0:25	2	CROSSPIECE
10	392898X1		4	RIVET
11	3581422M1		2	SCREW
12	1440207X1	T-A 0:25	2	NUT
13	3674740M91	● 392308X1 (2)	1	STIRRUP
14	339666X1	T-A 0:25	2	SCREW
15	390971X1	M6X20	2	WASHER
16	339375X1		2	LOCK WASHE
17	3674619M1		2	SCREW
18	3545498M1		2	WASHER
19	3674422M2	◀	1	PLATE

FRONT SHEET METAL

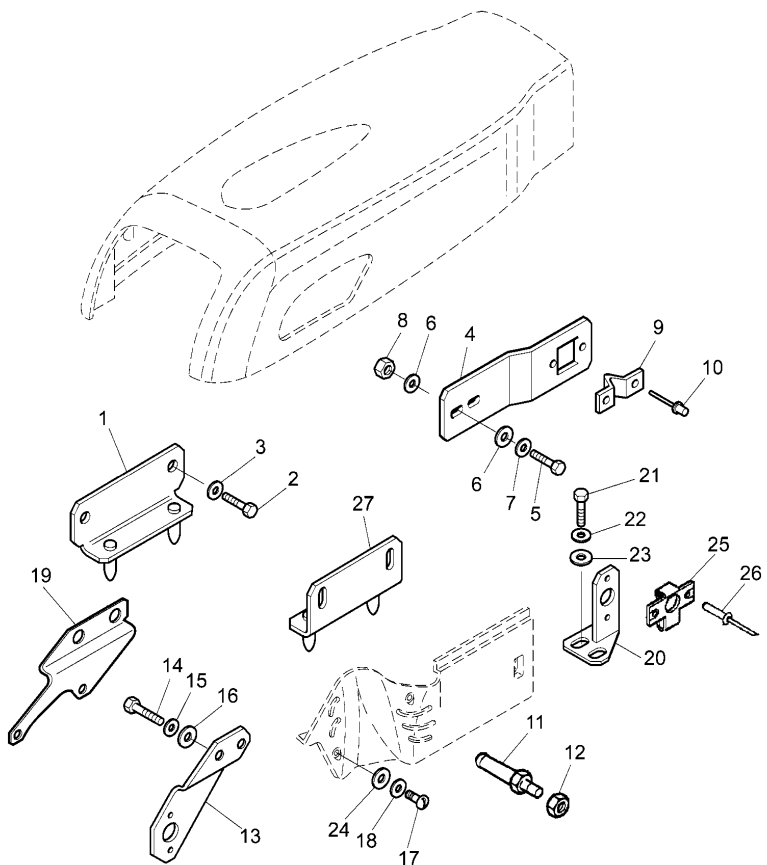
R-20  
11

SOUNDPROOFING KIT



R2011

Rex Tier 2 fp/cab desp. 80 F/GE

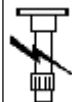


- |    |            |          |   |            |
|----|------------|----------|---|------------|
| 20 | 3674423M93 |          | 1 | HITCH      |
| 21 | 339123X1   | T-A 0:25 | 2 | SCREW      |
| 22 | 391039X1   | M8X20    | 2 | WASHER     |
| 23 | 339374X1   |          | 2 | LOCK & SEA |
| 24 | 3654096M1  |          | 2 | LOCK WASHE |
| 25 | 3654098M1  |          | 2 | SPRING     |
| 26 | 3661435M1  |          | 4 | RIVET      |
| 27 | 3679599M91 |          | 1 | STIRRUP    |
- A WITH PLATFORM  
 B WITH EEC AND NORTH AMERICA HOMOLOGAZION  
 ◀ LEFT HAND  
 T-A Replacement

FRONT SHEET METAL

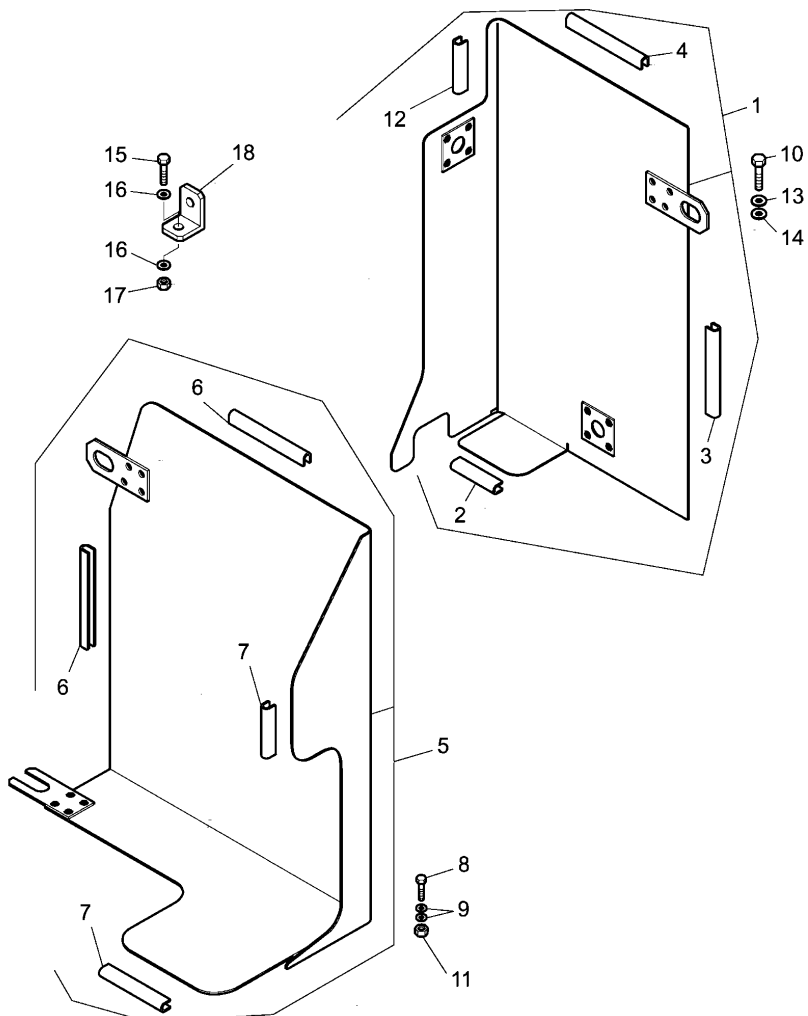
R-20  
111

SIDE COVER - SHIELD FAN



R20111

Rex Tier 2 fp/cab  
desp. 80 F/GE



1	3677848M93	◀	A	1	GUARD
2	3650102M1	●	T-A 0:25	1	SKIRT
		!	3303148M1 (1)	1	
			L= 85 MM		
3	3306714M1	●	3303146M1 (1)	1	SKIRT
		!	L= 290 MM		
4	3656590M1	!	1	1	GUARD
			L= 160 MM		
5	3677847M92	▶	T-A 0:25	1	GUARD
6	3654158M1	!	5	2	SKIRT
			L= 310 MM		
7	3303151M1	●	3300790M1 (2)	2	SKIRT
		!	L= 200 MM		
8	1441914X1	▶	M6 X 18	1	SCREW
9	390971X1			2	WASHER
10	3009544X1		M8X12	2	SCREW
11	339030X1	●	1441500X1 (1)	1	NUT
12	3654158M1	!	1	1	SKIRT
			L= 310MM		
13	390972X1			2	WASHER
14	339374X1			1	WASHER
15	1441914X1		M6X18	2	SCREW
16	390971X1			3	WASHER
17	339030X1	●	1441500X1 (1)	1	NUT



FRONT SHEET METAL

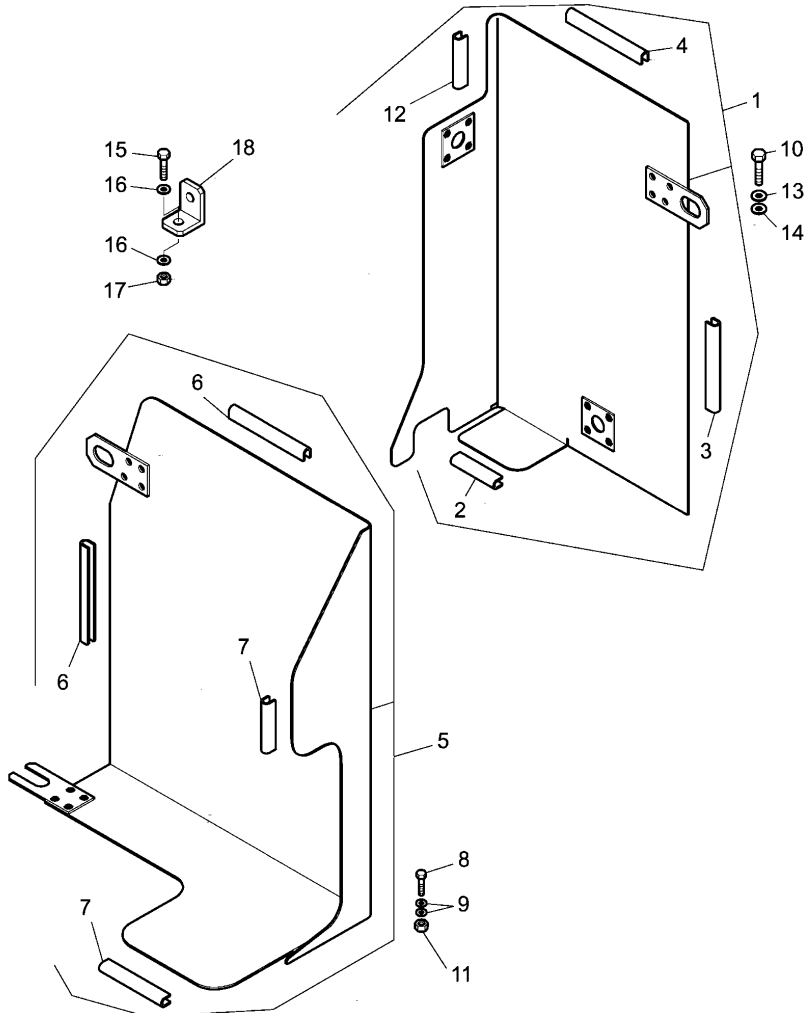
R-20  
111

SIDE COVER - SHIELD FAN



R20111

Rex Tier 2 fp/cab  
desp. 80 F/GE



18 3536129M91 ◀

1 STIRRUP

!

THIS IS A COMPONENT OF AN ASSEMBLY

A

WITHOUT POSTERIOR FLANKS

◀

LEFT HAND

▶

RIGHT HAND

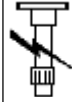
T-A

Replacement

FENDERS FOOTSTEPS AND PLATFORM

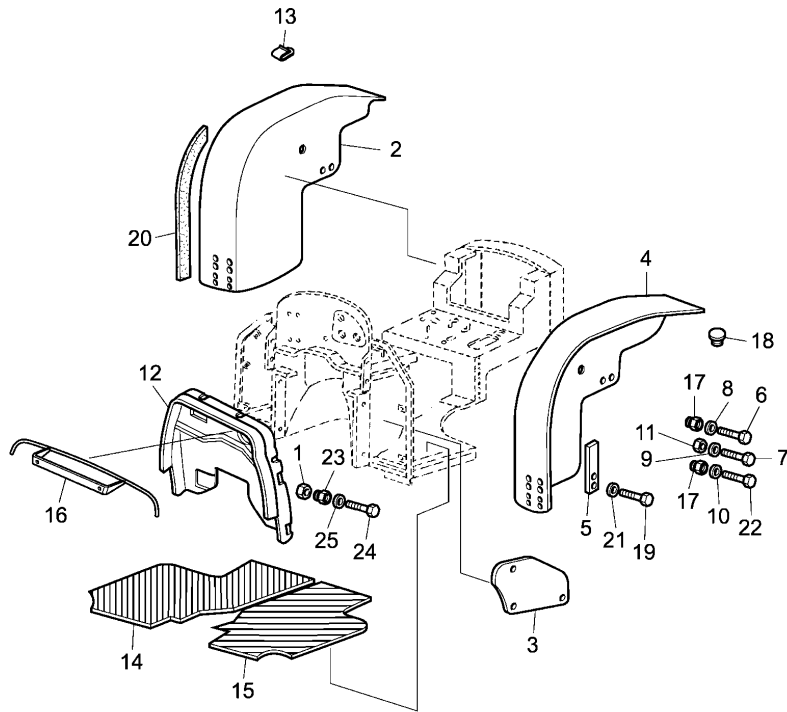
S-22  
01

PLATFORM



S2201

Rex Tier 2 fp/cab  
desp. 80 F/GE



- |    |            |   |                 |    |            |
|----|------------|---|-----------------|----|------------|
| 1  | 339169X1   | ● | 394367X1 (6)    | 6  | NUT        |
| 2  | 3667009M98 | ● | 3667009M912 (1) | 1  | FENDER     |
|    |            | ▶ | A               |    |            |
| 2  | 3673510M97 | ● | 3673510M99 (1)  | 1  | FENDER     |
|    |            | ▶ | B               |    |            |
| 3  | 3670911M3  |   | A               | 1  | COVER      |
|    |            |   | T-A 0:25        |    |            |
| 3  | 3680894M1  |   | B               | 1  | COVER      |
| 4  | 3667012M96 | ● | 3667012M97 (1)  | 1  | FENDER     |
|    |            | ▲ | A               |    |            |
|    |            |   | T-A 1:0         |    |            |
| 4  | 3673522M95 | ● | N.L.S. (1)      | 1  | FENDER     |
|    |            | ▲ | B               |    |            |
| 5  | 3673441M1  |   |                 | 2  | BASE PLATE |
| 6  | 339761X1   |   | M8X25           | 4  | SCREW      |
| 7  | 339123X1   |   | M8X20           | 7  | SCREW      |
| 8  | 339374X1   |   |                 | 14 | LOCK & SEA |
| 9  | 3010467X1  |   |                 | 8  | WASHER     |
| 10 | 390972X1   |   |                 | 8  | WASHER     |
| 11 | 339169X1   | ● | 394367X1 (6)    | 6  | NUT        |
| 12 | 3672261M95 | ● | 3672261M96 (1)  | 1  | WALL       |
|    |            |   | T-A 4:50        |    |            |
| 13 | 3307614M1  |   |                 | 1  | CLAMP      |
| 14 | 3671513M93 | ▶ | T-A 0:50        | 1  | MATTING    |

FENDERS FOOTSTEPS AND PLATFORM

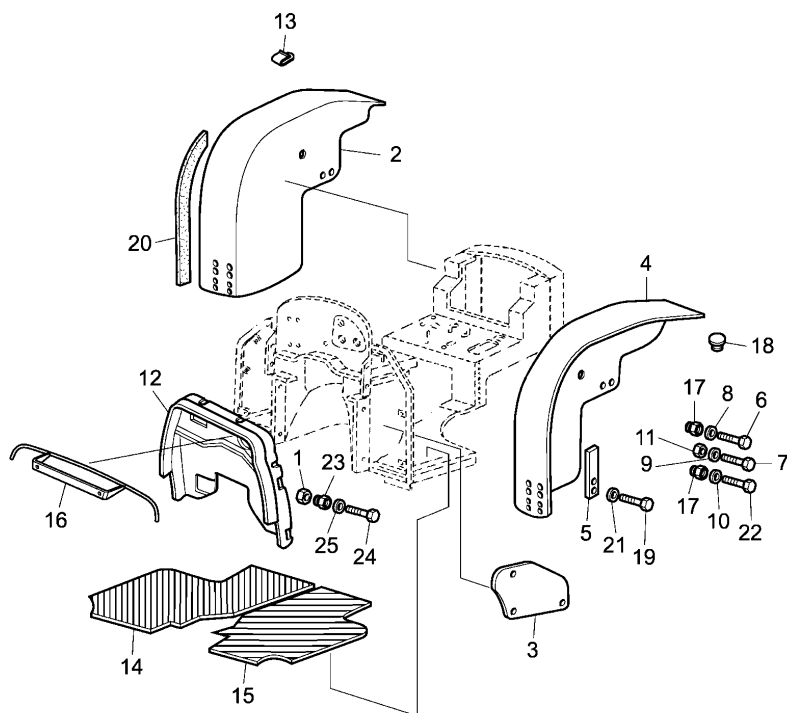
S-22  
01

PLATFORM

Rex Tier 2 fp/cab  
desp. 80 F/GE



S2201



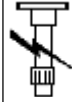
- |     |  |    |         |
|-----|--|----|---------|
| 15  | 3671515M93 ◀   | 1  | MATTING |
|     | T-A 0:50 Con serbatoio supplementare aggiungere 1.50 ora |    |         |
| 16  | 3674560M93   | 1  | SUPPORT |
|     | T-A 4:50   |    |         |
| 17  | 3665878M1  | 11 | INSERT  |
| 18  | 3535565M1  | 16 | PLUG    |
| 19  | 391001X1   | 2  | STUD    |
| 20  | 3547987M1 ▶ 5.5 MT                                       | 1  | GASKET  |
| 21  | 391039X1   | 2  | WASHER  |
| 22  | 339337X1 M8X30   | 1  | SCREW   |
| 23  | 3684595M1  | 5  | RIVET   |
| 24  | 3019063X1 M8X30  | 6  | STUD    |
| 25  | 391039X1   | 6  | WASHER  |
| A   | WITH BLUE SHEET METAL                                    |    |         |
| B   | WITH RED SHEET METAL                                     |    |         |
| ◀   | LEFT HAND  |    |         |
| ▶   | RIGHT HAND   |    |         |
| ◀▶  | LENGTH   |    |         |
| T-A | Replacement  |    |         |

FENDERS FOOTSTEPS AND PLATFORM

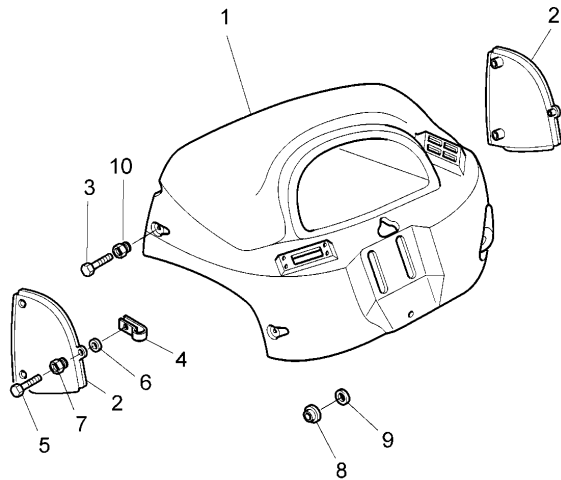
S-22  
02

PLATFORM - INSTRUMENT PANEL

Rex Tier 2 fp/cab  
desp. 80 F/GE



S2202

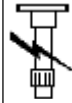


- |    |           |   |   |             |
|----|-----------|---|---|-------------|
| 1  | 3694189M2 |   | 1 | PANEL       |
| 2  | 3671506M4 | ▶ | 1 | PANEL       |
|    |           |   |   | T-A 0:25    |
| 2  | 3671507M4 | ◀ | 1 | PANEL       |
|    |           |   |   | T-A 0:25    |
|    |           |   |   | M6X20       |
| 3  | 3015153X1 |   | 3 | SCREW       |
| 4  | 3673075M1 |   | 4 | CLIP,SPRING |
| 5  | 3673077M2 |   | 6 | SCREW       |
| 6  | 3673078M1 |   | 6 | WASHER      |
| 7  | 3673079M1 |   | 2 | INSERT      |
| 8  | 3674553M1 |   | 4 | WASHER      |
| 9  | 3674555M1 |   | 2 | WASHER      |
| 10 | 3663519M1 |   | 3 | RIVET       |

◀ LEFT HAND  
▶ RIGHT HAND  
T-A Replacement

FENDERS FOOTSTEPS AND PLATFORM

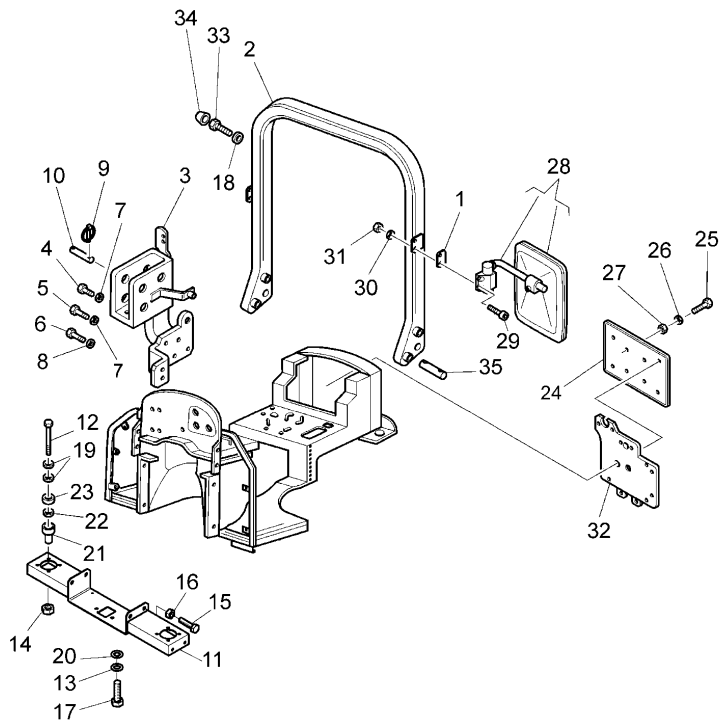
S-22  
03



S2203

Rex Tier 2 fp/cab  
desp. 80 F/GE

PLATFORM - SAFETY FRAME



- |    |            |                                    |   |            |
|----|------------|------------------------------------|---|------------|
| 1  | 3674535M1  |                                    | 1 | SPACER     |
| 2  | 3674409M94 | ● 3674409M95 (1)                   | 1 | FRAME      |
|    |            | T-A 0:25                           |   |            |
| 3  | 3671012M99 | ▶                                  | 1 | SUPPORT    |
|    |            | T-A 0:75                           |   |            |
| 3  | 3671013M98 | ◀                                  | 1 | SUPPORT    |
|    |            | T-A 4:75                           |   |            |
| 4  | 390419X1   | M16X40                             | 4 | SCREW      |
| 5  | 391888X1   | M16X55                             | 2 | SCREW      |
| 6  | 339401X1   | M10X25                             | 4 | SCREW      |
| 7  | 339377X1   |                                    | 6 | LOCK WASHE |
| 8  | 1440314X1  |                                    | 4 | LOCK & SEA |
| 9  | 1426056M91 |                                    | 4 | RETAINER   |
| 10 | 4204749M1  |                                    | 2 | PIN        |
| 11 | 3674550M95 | ● 4206161M93 (1)<br>4206176M93 (1) | 1 | SUPPORT    |
|    |            | T-A 4:75                           |   |            |
| 12 | 339805X1   | M16X100                            | 2 | SCREW      |
| 13 | 3019565X1  |                                    | 4 | WASHER     |
| 14 | 1442739X1  |                                    | 2 | NUT        |
| 15 | 339275X1   | M16X35                             | 4 | SCREW      |
| 16 | 339377X1   |                                    | 4 | LOCK WASHE |
| 17 | 339091X1   | M12X40                             | 2 | SCREW      |
| 18 | 339169X1   | ● 394367X1 (4)                     | 4 | NUT        |
| 19 | 3019565X1  |                                    | 4 | WASHER     |
| 20 | 391212X1   |                                    | 2 | WASHER     |
| 21 | 1612171M1  | T-A 0:50                           | 2 | DAMPER     |

FENDERS FOOTSTEPS AND PLATFORM

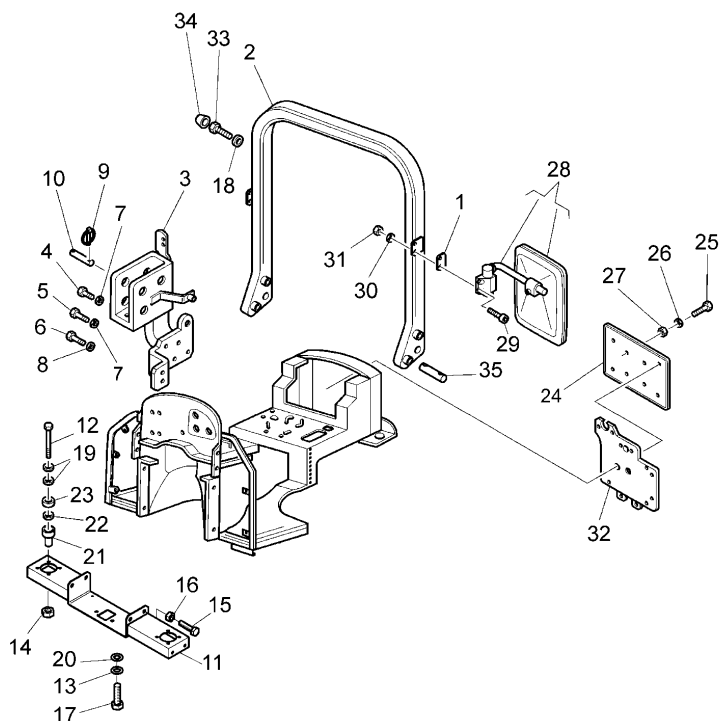
S-22  
03

PLATFORM - SAFETY FRAME



S2203

Rex Tier 2 fp/cab  
desp. 80 F/GE

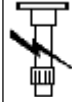


- |    |            |                |   |            |
|----|------------|----------------|---|------------|
| 22 | 3673411M1  |                | 2 | WASHER     |
| 23 | 3670842M2  |                | 2 | SPACER     |
| 24 | 3309186M1  | C              | 1 | LICENCE PL |
|    |            | T-A 0:25       |   |            |
| 25 | 3008179X1  | C              | 4 | SCREW      |
|    |            | M4X10          |   |            |
| 26 | 1440311X1  | ● 390468X1 (4) | 4 | LOCK WASHE |
|    |            | C              |   |            |
| 27 | 1443615X1  | C              | 4 | NUT        |
| 28 | 3674536M92 | ◀              | 1 | MIRROR     |
|    |            | B              |   |            |
| 28 | 3674537M92 | ▶              | 1 | MIRROR     |
|    |            | A              |   |            |
| 29 | 391990X1   | T-A 0:25       | 2 | SCREW      |
|    |            | M8X25          |   |            |
| 30 | 390972X1   |                | 2 | WASHER     |
| 31 | 391037X1   |                | 2 | WASHER     |
| 32 | 3677648M91 | E              | 1 | PLATE      |
|    |            | T-A 0:50       |   |            |
| 33 | 339009X1   |                | 2 | SCREW      |
| 34 | 3647481M1  |                | 2 | OVERLAY    |
| 35 | 3678916M91 |                | 2 | PIN        |
- A FOR LH DRIVING  
 B FOR R.H DRIVING  
 C COMPULSORY FOR FRANCE  
 E WITHOUT TRIANGLE SUPPORT FOR ROAD CIRCULATION  
 ◀ LEFT HAND  
 ▶ RIGHT HAND  
 T-A Replacement

FENDERS FOOTSTEPS AND PLATFORM

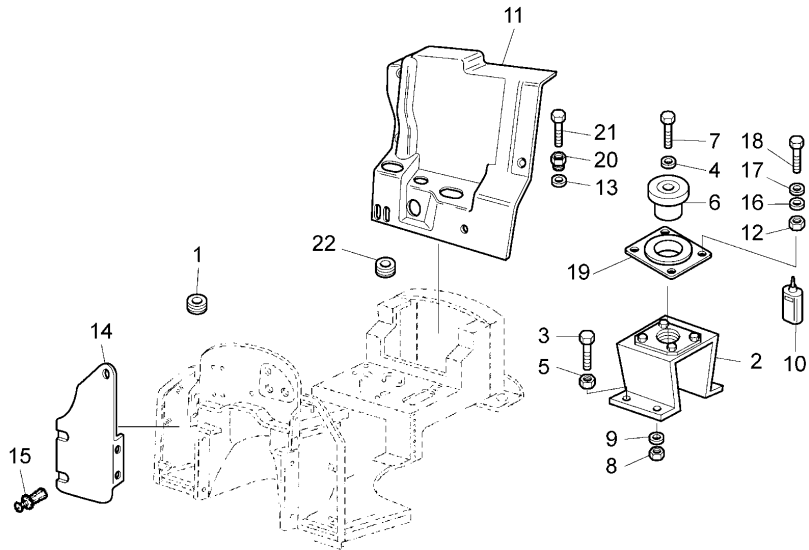
S-22  
04

PLATFORM



S2204

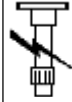
Rex Tier 2 fp/cab  
desp. 80 F/GE



- |    |            |                  |     |            |
|----|------------|------------------|-----|------------|
| 1  | 3673949M1  |                  | 3   | CHOCK      |
| 2  | 3672278M93 |                  | 2   | STIRRUP    |
| 3  | 3009506X1  | T-A 1:0          | 8   | SCREW      |
| 4  | 3672457M2  | M12X30           | 2   | WASHER     |
| 5  | 339369X1   |                  | 8   | LOCK WASHE |
| 6  | 1612171M1  |                  | 2   | DAMPER     |
| 7  | 3673948X1  | M16X1,5X80       | 2   | SCREW      |
| 8  | 1440760X1  |                  | 2   | NUT        |
| 9  | 3019565X1  |                  | 2   | WASHER     |
| 10 | 3303219M1  |                  | 999 | LOCTITE    |
| 11 | 3682482M2  | ● 3682482M4 (1)  | 1   | COVER      |
| 12 | 392293X1   | ● 339402X1 (8)   | 8   | NUT        |
| 13 | 3547333M1  |                  | 6   | WASHER     |
| 14 | 3671517M3  | ▶                | 1   | GUARD      |
| 14 | 3671518M3  | ◀                | 1   | GUARD      |
| 15 | 3650060M1  | ● 3650060M91 (8) | 8   | RIVET      |
| 16 | 1440314X1  |                  | 8   | LOCK WASHE |
| 17 | 390734X1   |                  | 16  | WASHER     |
| 18 | 3009493X1  | M10X30           | 8   | SCREW      |
| 19 | 3686856M92 |                  | 2   | FINAL DRIV |
| 20 | 3663519M1  |                  | 6   | INSERT     |
| 21 | 3015153X1  | M6X20            | 6   | SCREW      |
| 22 | 3678607M2  |                  | 2   | GASKET     |
- ◀ LEFT HAND  
▶ RIGHT HAND  
T-A Replacement

FENDERS FOOTSTEPS AND PLATFORM

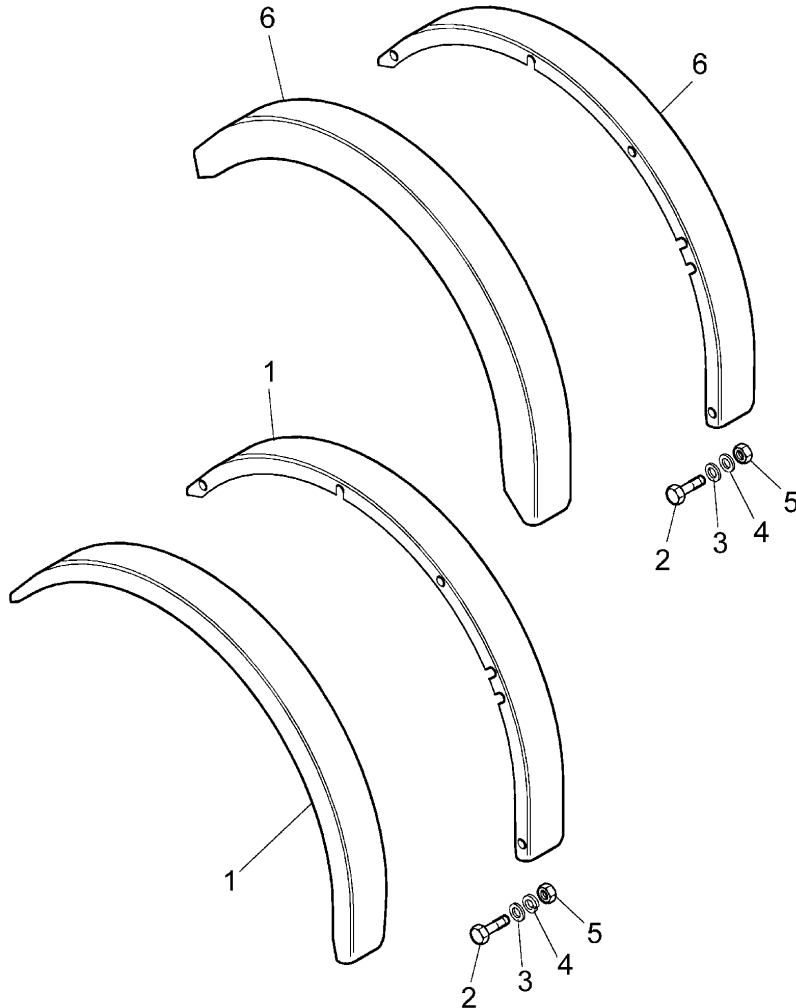
S-22  
05



S2205

Rex Tier 2 fp/cab  
desp. 80 F/GE

FENDERS AND PLATFORM - FENDER EXTENSION



1	3671579M5	C D E T-A 0:25	2	EXTENSION
1	3671580M5	A B F	2	EXTENSION
2	339721X1	M5X16	10	SCREW
3	1441494X1		10	NUT
4	3019560X1		20	LOCK WASHE
6	3677073M2	C F	2	EXTENSION
A	WITH REAR 13.6 R28;320-70 R24;11.2 R28;11.2 R24;12.4 R28;380-70 R24;13.6 R24;12.4 R24;360-70 R-24;360-70 R28;14.9 LR20;375-75 R20			
B	FOR USE WITH REAR 14.9 R24 TYRES			
C	VERSION "F"			
D	WITH REAR 420/70 R28; 16.9 R24; 420/70 R24; 14.9 R28; 440/65 R24; 420/65 R24			
E	FOR USE WITH REAR 380-70 R28 TYRES			
F	WITH REAR 11.2 R24; 320/70 R24; 13.6 R24; 380/70 R24			
T-A	Replacement			

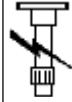


FENDERS FOOTSTEPS AND PLATFORM

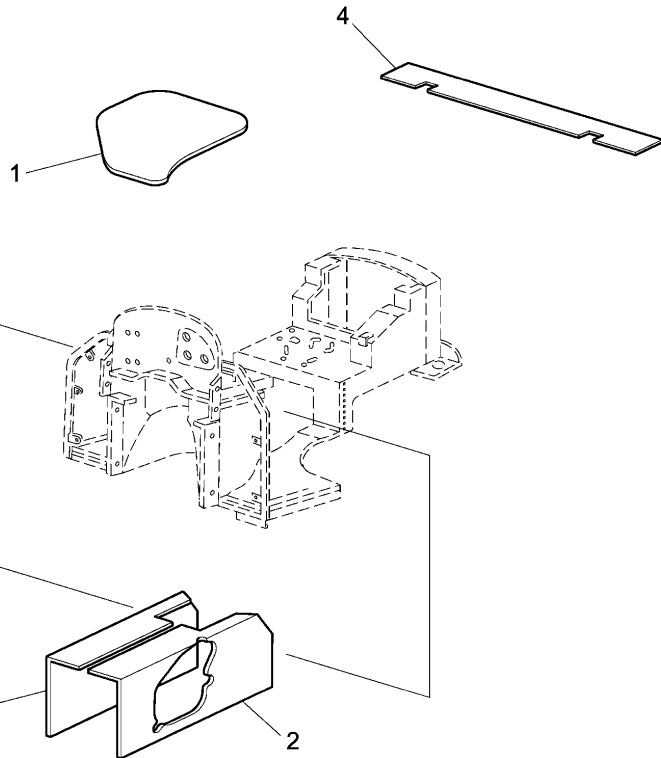
S-22  
06

PLATFORM - INSULATION AND CLADDUING

Rex Tier 2 fp/cab  
desp. 80 F/GE



S2206



- |   |           |   |   |       |
|---|-----------|---|---|-------|
| 1 | 3674415M1 |   | 1 | GUARD |
| 2 | 3674378M1 | ◀ | 1 | GUARD |
| 3 | 3674377M1 | ▶ | 1 | GUARD |
| 4 | 3674376M1 |   | 1 | GUARD |
- ◀ LEFT HAND  
 ▶ RIGHT HAND  
 T-A Replacement

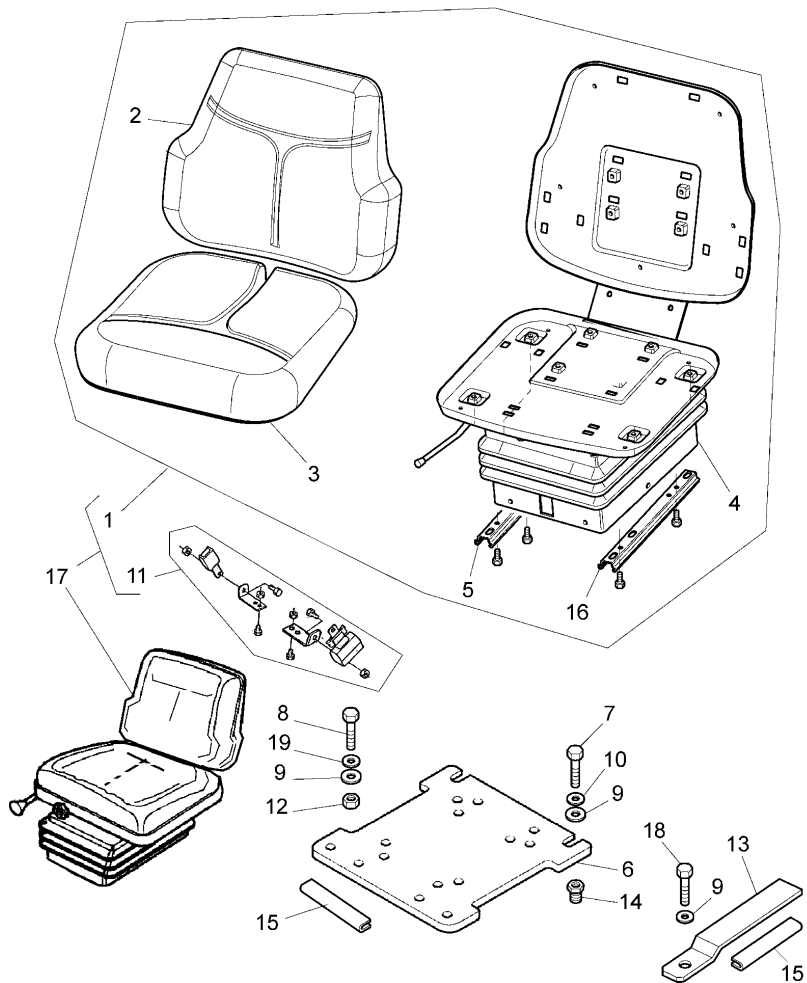
FENDERS FOOTSTEPS AND PLATFORM

S-22  
07

DRIVER SEAT "MT" WITH MECHANICS SUSPENSION

Rex Tier 2 fp/cab  
desp. 80 F/GE

S2207



- |    |            |   |                |     |            |
|----|------------|---|----------------|-----|------------|
| 1  | 3672850M91 | ● | 3685039M91 (1) | 1   | SEAT       |
|    |            | ! | 17             |     |            |
|    |            |   | T-A 0:50       |     |            |
| 2  | 3658011M1  | ! | 1              | 1   | BACK REST  |
|    |            |   | A              |     |            |
| 3  | 3658010M1  | ! | 1              | 1   | CUSHION    |
|    |            |   | A              |     |            |
| 4  |            | ! | 1              | 1   | SUSPENSION |
|    |            | ◇ | S-22 07 08     |     |            |
| 5  | 3676475M91 | ! | 1              | 1   | GUIDE      |
|    |            | ▶ | T-A 0:50       |     |            |
| 6  | 3669573M2  |   | 1              | 1   | PLATE      |
|    |            |   | T-A 0:75       |     |            |
| 7  | 339123X1   |   | M8X20          | 4   | SCREW      |
| 8  | 391001X1   |   | M10X25         | 4   | STUD       |
| 9  | 339374X1   |   |                | 9   | WASHER     |
| 10 | 390972X1   |   |                | 4   | LOCK & SEA |
| 11 | 4205698M92 | ! | 17             | 1   | SURROUND   |
|    |            |   | T-A 0:25       |     |            |
| 12 | 339169X1   | ● | 394367X1 (4)   | 4   | NUT        |
| 13 | 3676752M2  |   |                | 1   | NAMEPLATE  |
| 14 | 3665878M1  |   |                | 4   | RIVET      |
| 15 | 3683364M1  |   |                | 999 | GASKET     |
| 16 | 3673349M1  | ! | 1              | 1   | GUIDE      |
|    |            | ▶ | T-A 0:75       |     |            |

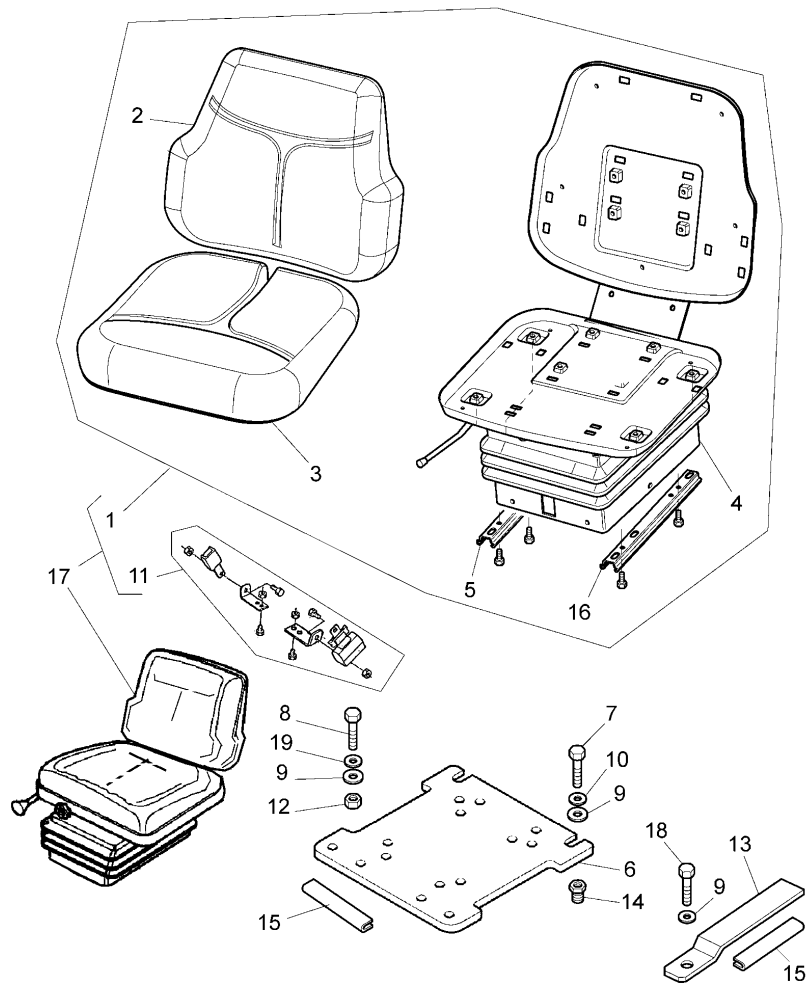
FENDERS FOOTSTEPS AND PLATFORM

S-22  
07

DRIVER SEAT "MT" WITH MECHANICS SUSPENSION

Rex Tier 2 fp/cab  
desp. 80 F/GE

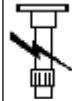
S2207



- |     |                                    |   |        |
|-----|------------------------------------|---|--------|
| 17  | 3685039M91                         | 1 | SEAT   |
| 18  | 339228X1 M8X12                     | 1 | SCREW  |
| 19  | 1440921X1                          | 4 | WASHER |
| !   | THIS IS A COMPONENT OF AN ASSEMBLY |   |        |
| 👁   | SEE PAGE - REFERENCE NUMBER        |   |        |
| A   | GRAY                               |   |        |
| B   | SEAT WITH IMITATION LEATHER        |   |        |
| ◀   | LEFT HAND                          |   |        |
| ▶   | RIGHT HAND                         |   |        |
| T-A | Replacement                        |   |        |

FENDERS FOOTSTEPS AND PLATFORM

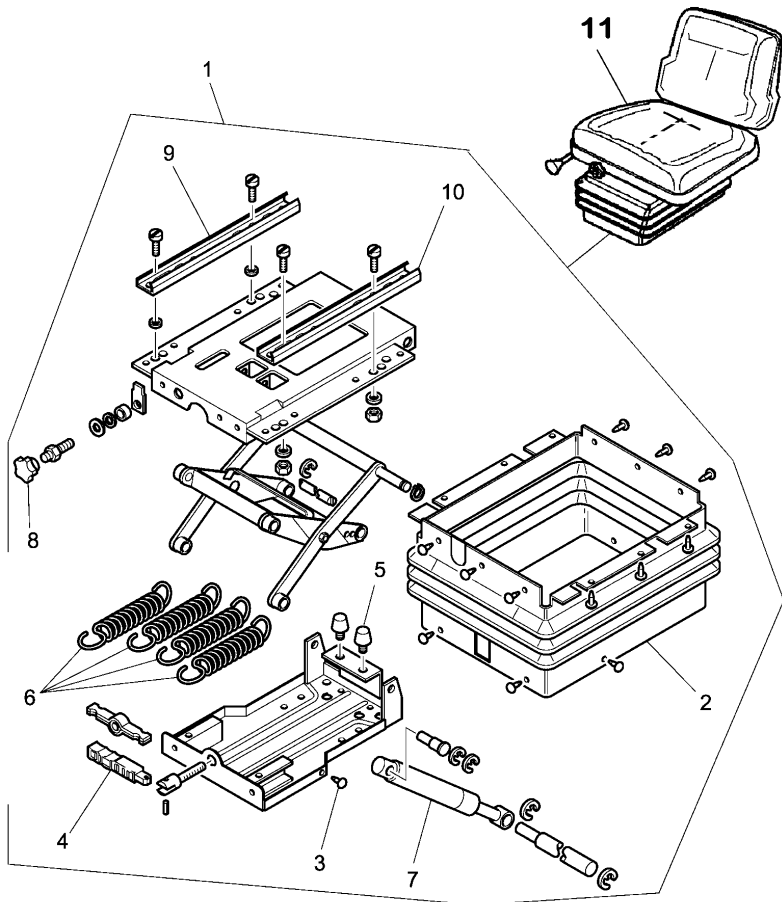
S-22  
08



S2208

Rex Tier 2 fp/cab  
desp. 80 F/GE

DRIVER SEAT "MT" WITH MECHANICS SUSPENSION



		A	
1	3541697M91	! 11	1 SUSPENSION
		T-A 0:50	
2	3540888M1	! 1	1 BELLOWS
		T-A 1:0	
3	3654720M1	! 1	18 RIVET
4	3658005M1	! 1	1 LEVER
		T-A 0:25	
5	3675792M1	! 1	2 KNOB
6	3540889M1	! 1	4 SPRING
		(X) 0.1.3.5	
		T-A 0:75	
7	3540270M1	! 1	1 DAMPER
		T-A 0:75	
8	3658006M91	! 1	1 HANDLE
		T-A 0:25	
9	3654719M1	! 1	1 GUIDE
		▶	
		T-A 0:75	
10	3654721M1	! 1	1 GUIDE
		▲	
		T-A 0:75	
11	⊕ S-22 07 17	1	1 SEAT
!	THIS IS A COMPONENT OF AN ASSEMBLY		
⊕	SEE PAGE - REFERENCE NUMBER		
A	SEAT WITH IMITATION LEATHER		
▲	LEFT HAND		
▶	RIGHT HAND		
T-A	Replacement		
(X)	QTY PER TRACTORS SOLD (AA.BBB.CCC.DDD) (AA) FOR 1,(BBB) 2-10 (CCC) 11-25 (DDD) 26-50		

TRACTOR CAB

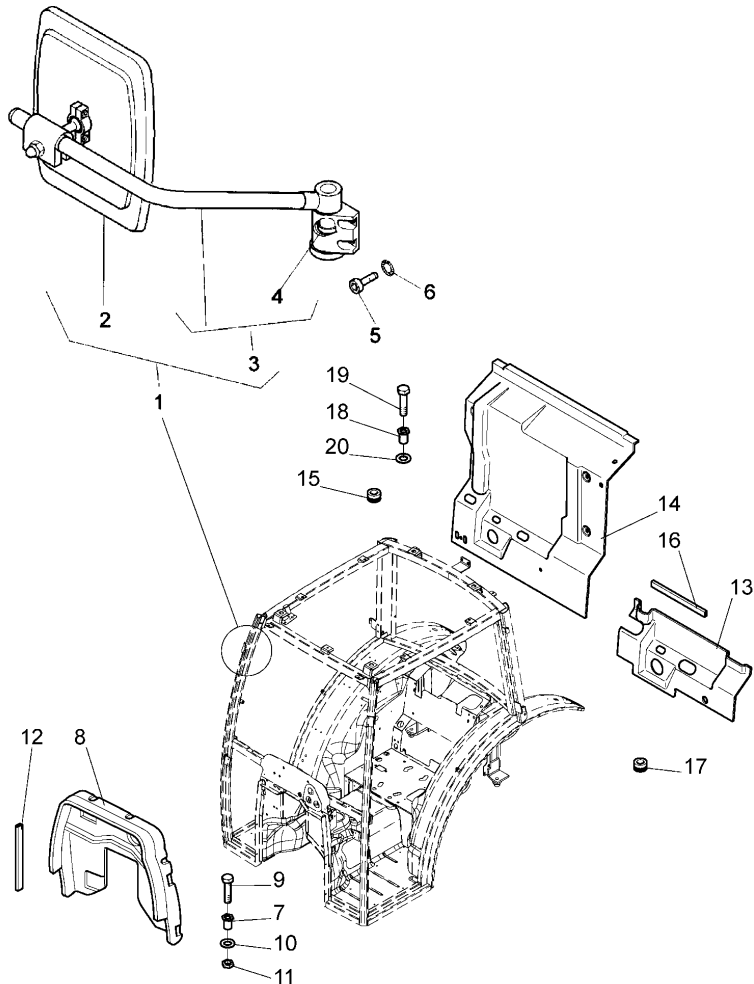
U-47  
01

TRACTOR CAB - KIT - MIRROR

Rex Tier 2 fp/cab  
desp. 80 F/GE



U4701

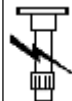


1	3552884M91	▶		1	MIRROR
1	3552885M91	◀	T-A 0:25	1	MIRROR
2	3557565M91	!	T-A 0:25	1	BODY
			T-A 0:25		
3	3557019M91	!	1	1	ARM
3	3557020M91	!	1	1	ARM
4	3541600M1	●	3541601M1 (1)	1	FERRULE
		!	3		
4	3541601M1	!	3	1	FERRULE
5	391148X1		M8X20	4	SCREW
6	3008914X1			4	NAMEPLATE
7	3684595M1			5	RIVET
8	3675090M96	●	3675090M97 (1)	1	WALL
9	3019063X1		M8X30	6	STUD
10	391039X1			6	WASHER
11	339169X1	●	394367X1 (6)	6	NUT
12	3653166M1			2	SHEATH
13	3682485M1	A		1	GASKET
14	3682480M2	A		1	COVER
15	3678607M2			1	CHOCK
16	3665950M1	◄	0.81 MT	2	GASKET
		◄	0.95 MT		
17	3673949M1	A		3	CHOCK

TRACTOR CAB

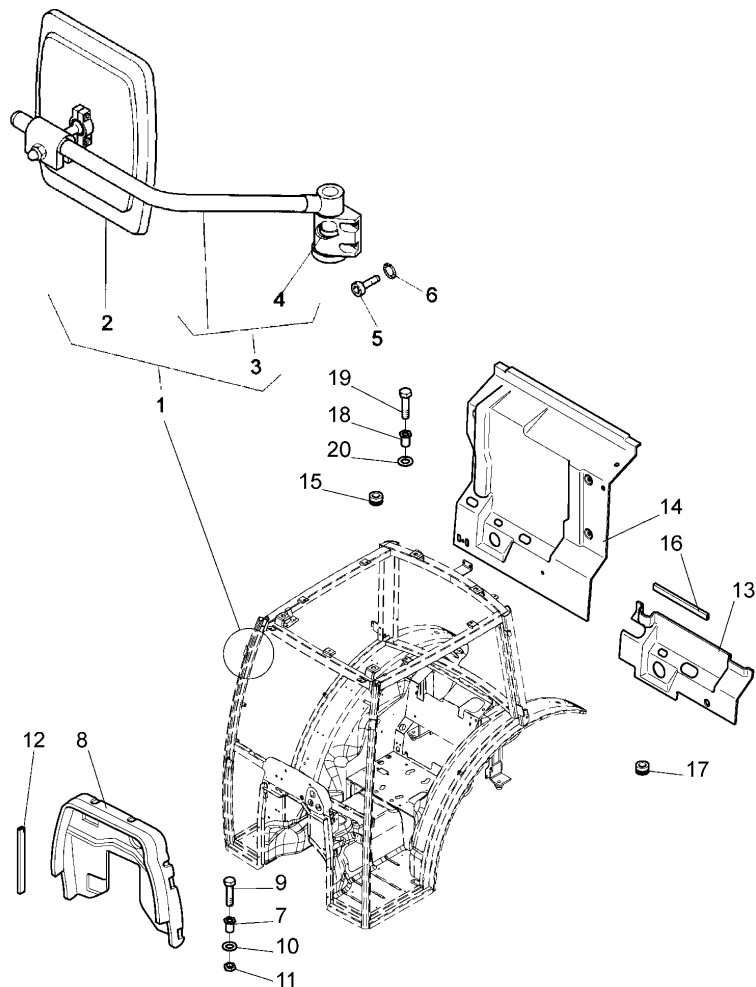
**U-47  
01**

TRACTOR CAB - KIT - MIRROR



U4701

Rex Tier 2 fp/cab  
desp. 80 F/GE



- |     |                                    |       |   |        |
|-----|------------------------------------|-------|---|--------|
| 18  | 3663519M1                          | A     | 6 | INSERT |
| 19  | 3015153X1                          | A     | 7 | SCREW  |
|     |                                    | M6X20 |   |        |
| 20  | 3547333M1                          | A     | 7 | WASHER |
| !   | THIS IS A COMPONENT OF AN ASSEMBLY |       |   |        |
| A   | VERSION "F"                        |       |   |        |
| ◀   | LEFT HAND                          |       |   |        |
| ▶   | RIGHT HAND                         |       |   |        |
| ◄   | LENGTH                             |       |   |        |
| T-A | Replacement                        |       |   |        |

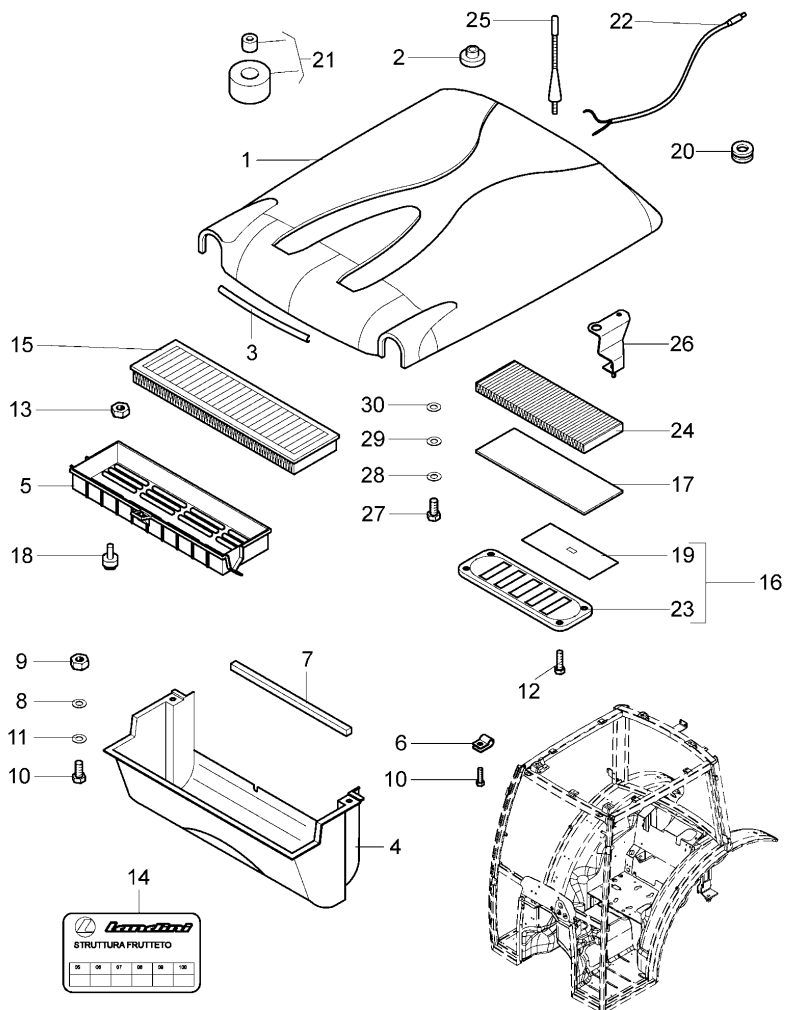
TRACTOR CAB

U-47  
02

TRACTOR CAB - ROOF - CLADDING PANEL

Rex Tier 2 fp/cab  
desp. 80 F/GE

U4702



- |    |            |    |                                 |   |            |
|----|------------|----|---------------------------------|---|------------|
| 1  | 3684186M91 | ●  | 3684186M96 (1)<br>D<br>T-A 1:50 | 1 | ROOF       |
| 1  | 3685341M94 | ●  | 3685341M95 (1)<br>E             | 1 | ROOF       |
| 2  | 3660116M1  |    |                                 | 1 | BASE       |
| 3  | 3667759M1  | ◀▶ | 4 MT                            | 1 | GASKET     |
| 4  | 3685724M2  |    |                                 | 1 | BOX        |
| 5  | 3684187M1  |    |                                 | 1 | COVER      |
|    |            |    | T-A 0:25                        |   |            |
| 6  | 3582548M1  | ●  | 3669474M1 (2)                   | 2 | SPRING     |
| 7  | 3685885M1  | ◀▶ | 1.65 MT                         | 1 | GASKET     |
| 8  | 390972X1   |    |                                 | 2 | WASHER     |
| 9  | 3000193X1  |    |                                 | 2 | NUT        |
| 10 | 339560X1   |    | M6X16                           | 2 | SCREW      |
| 11 | 390971X1   |    |                                 | 2 | WASHER     |
| 12 | 3015467X1  |    | M6X25                           | 4 | SCREW      |
| 13 | 339169X1   | ●  | 394367X1 (1)                    | 1 | NUT        |
| 14 | 3686211M1  |    |                                 | 1 | DECAL      |
| 15 | 3683541M91 |    | A<br>B<br>C                     | 1 | FILTER     |
| 15 | 3683542M91 |    | (X) 0.1.3.5<br>T-A 0:25         | 1 | AIR FILTER |
| 16 | 3683552M92 |    |                                 | 1 | GRILLE     |
| 17 | 3686770M1  |    |                                 | 1 | PANEL      |
| 18 | 3660065M1  |    |                                 | 2 | KNOB       |
| 19 | 3683536M1  | !  | 16                              | 1 | WALL       |
| 20 | 3667661M1  |    |                                 | 1 | CHOCK      |

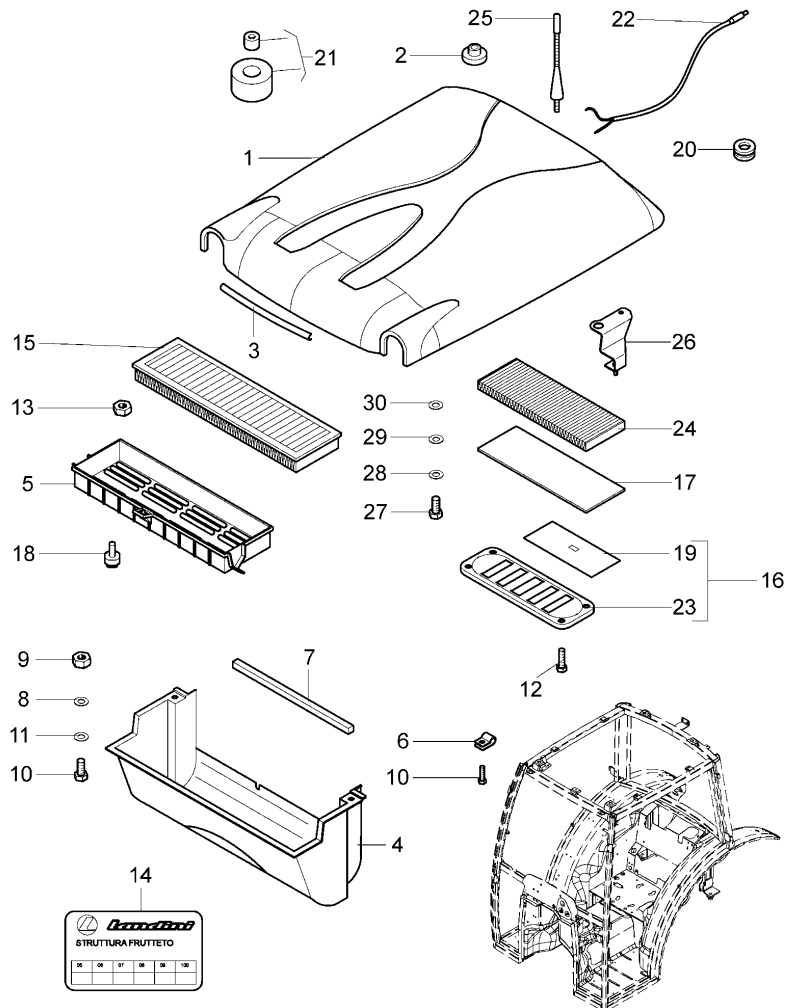
TRACTOR CAB

U-47  
02

TRACTOR CAB - ROOF - CLADDING PANEL

Rex Tier 2 fp/cab  
desp. 80 F/GE

U4702



- |    |            |                  |    |            |
|----|------------|------------------|----|------------|
| 21 | 3679065M91 |                  | 3  | KIT        |
| 22 | 3679324M92 |                  | 1  | CABLE      |
| 23 | 3684241M2  | ● 3683552M92 (1) | 1  | GRILLE     |
|    |            | ! 16             |    |            |
| 24 | 3683543M1  |                  | 1  | FILTER     |
| 25 | 3679353M1  |                  | 1  | AERIAL SHO |
|    |            | T-A 0:25         |    |            |
| 26 | 3684497M91 | ◀                | 1  | STIRRUP    |
| 26 | 3684498M91 | ▶                | 1  | STIRRUP    |
| 27 | 339761X1   | M8X25            | 8  | SCREW      |
| 28 | 3664266M3  |                  | 8  | WASHER     |
| 29 | 390972X1   |                  | 10 | WASHER     |
| 30 | 339374X1   |                  | 8  | LOCK & SEA |

! THIS IS A COMPONENT OF AN ASSEMBLY

A ACTIVE CARBONS FILTER

B VERSION "F"

C CHART FILTER

D WITH BLUE SHEET METAL

E WITH RED SHEET METAL

◀ LEFT HAND

▶ RIGHT HAND

◄ LENGTH

T-A Replacement

(X) QTY PER TRACTORS SOLD (AA.BBB.CCC.DDD) (AA) FOR  
1,(BBB) 2-10 (CCC) 11-25 (DDD) 26-50



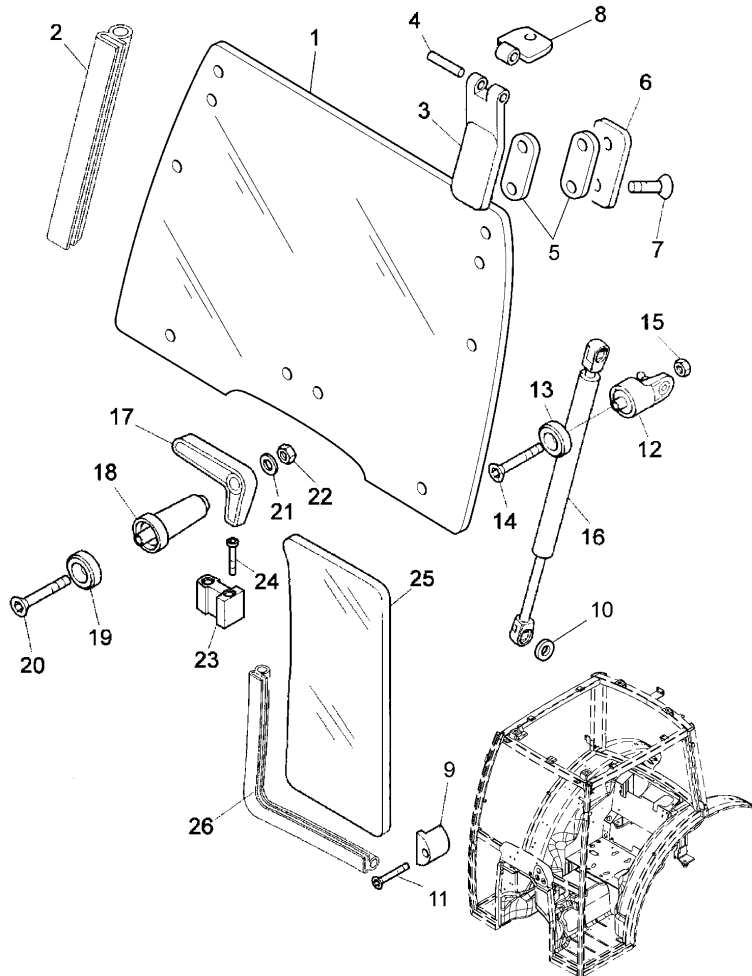
TRACTOR CAB

U-47  
03

TRACTOR CAB - WINDSCREEN

Rex Tier 2 fp/cab  
desp. 80 F/GE

U4703



1	3679334M1		1	GLASS
2	3679335M1	◀ T-A 0:75 3.6 MT (X) 0.1.3.5 T-A 0:75	1	GASKET
3	3659005M1	T-A 0:25	2	HINGE
4	3659462M1		2	DOWEL
5	3679338M1		4	GROMMET
6	3660073M1		2	WASHER
7	3008490X1	● 3008302X1 (4) M8X20	4	SCREW
8	3679339M1	T-A 0:25	2	HINGE
9	3548324M1		6	RETAINER
10	339374X1		2	LOCK & SEA
11	3015027X1	● 3015028X1 (6) M4.8X35	6	SCREW
12	3548026M1		2	YOKE
13	3548029M1		2	WASHER
14	3015303X1	M8X35	2	SCREW
15	3005908X1		2	NUT
16	3686758M91		2	SPRING
17	3547857M1	T-A 0:25	2	HANDLE
18	3548028M1		2	BUSH
19	3548029M1		2	WASHER
20	3009448X1	M8X70	2	SCREW
21	391039X1		2	WASHER

TRACTOR CAB

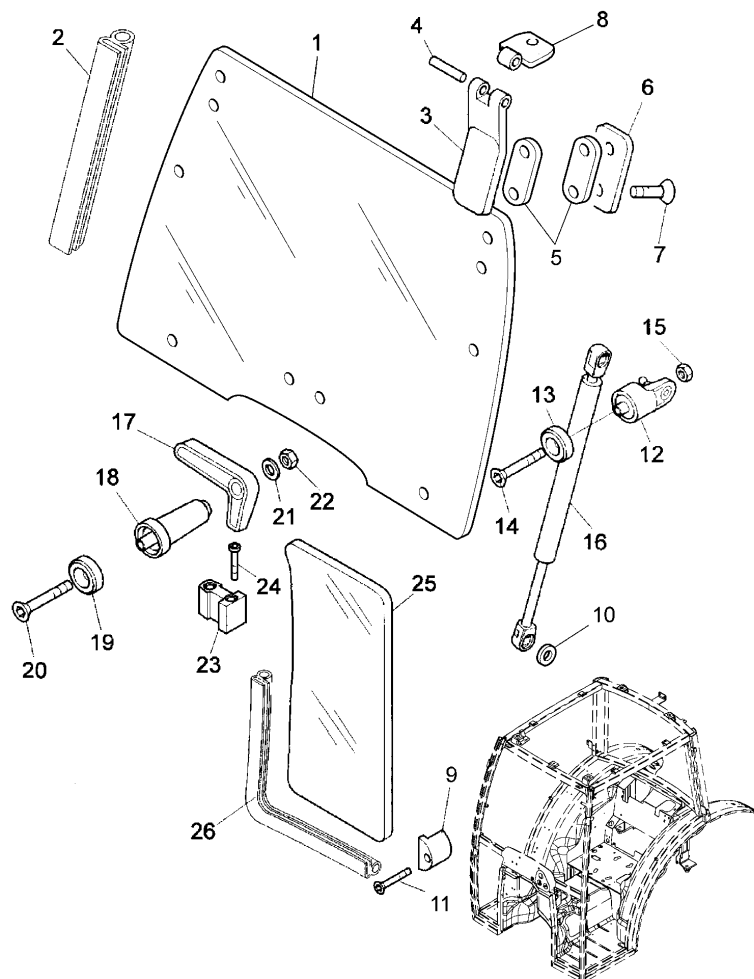
U-47  
03

TRACTOR CAB - WINDSCREEN

Rex Tier 2 fp/cab  
desp. 80 F/GE



U4703



- |    |           |          |   |          |
|----|-----------|----------|---|----------|
| 22 | 3005908X1 |          | 2 | NUT      |
| 23 | 3548041M1 |          | 2 | RETAINER |
| 24 | 3009541X1 | M6X35    | 4 | SCREW    |
| 25 | 3679546M1 | ▶        | 1 | GLASS    |
|    |           | T-A 0:50 |   |          |
| 25 | 3679548M1 | ◀        | 1 | GLASS    |
|    |           | T-A 0:50 |   |          |
| 26 | 3679547M1 | ◄►       | 1 | GASKET   |
|    |           | 1.8 MT   |   |          |
|    |           | T-A 0:50 |   |          |

◀ LEFT HAND

▶ RIGHT HAND

◄► LENGTH

T-A Replacement

(X) QTY PER TRACTORS SOLD (AA.BBB.CCC.DDD) (AA) FOR  
1,(BBB) 2-10 (CCC) 11-25 (DDD) 26-50

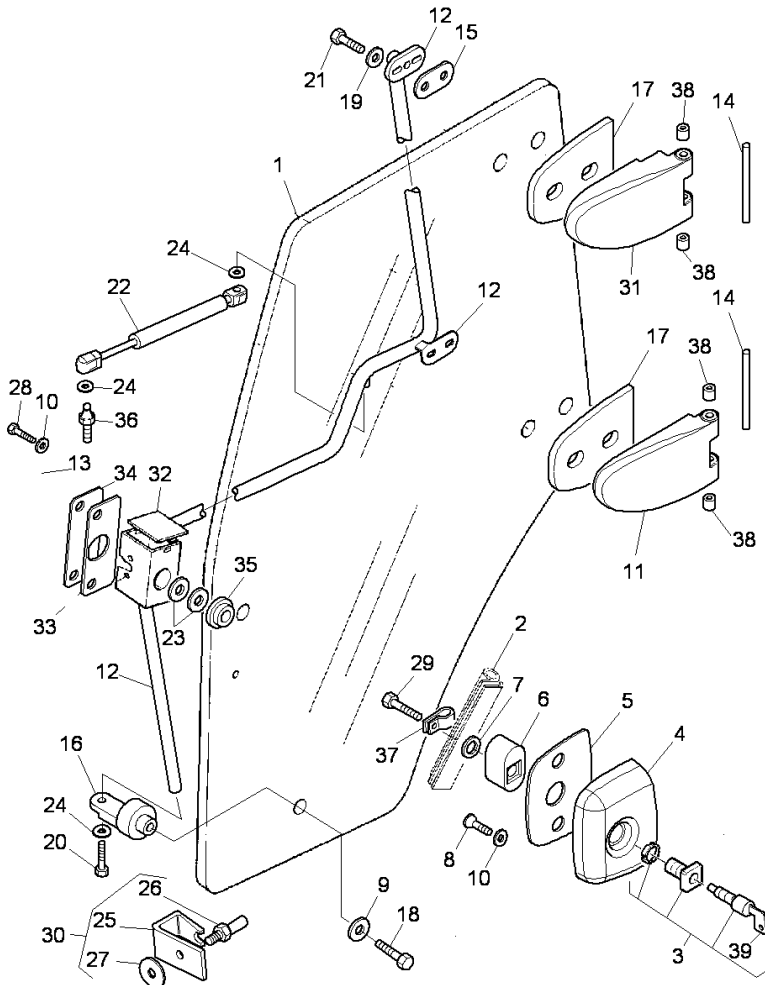
TRACTOR CAB

U-47  
04

CAB - DOORS

Rex Tier 2 fp/cab  
desp. 80 F/GE

U4704



- |    |            |    |                                |   |            |
|----|------------|----|--------------------------------|---|------------|
| 1  | 3679563M1  | ◀  |                                | 1 | GLASS      |
| 1  | 3680172M1  | ▶  | T-A 1:50                       | 1 | GLASS      |
| 2  | 3679550M1  | ◀▶ | T-A 1:50<br>4.7 MT<br>T-A 0:50 | 1 | GASKET     |
| 3  | 3692462M92 |    |                                | 2 | BLOCK      |
| 4  | 3679556M1  |    | T-A 0:50                       | 2 | HANDLE     |
| 5  | 3679557M1  |    |                                | 2 | DECAL      |
| 6  | 3679559M1  |    |                                | 2 | EXTENSION  |
| 7  | 3679558M1  |    |                                | 2 | RING       |
| 8  | 3008229X1  |    |                                | 4 | SCREW      |
| 9  | 3548029M1  |    |                                | 2 | WASHER     |
| 10 | 391289X1   |    |                                | 8 | LOCK WASHE |
| 11 | 3679553M2  | ▼  | (X) 0.1.3.5<br>T-A 0:25        | 2 | HINGE      |
| 12 | 3679551M91 | ▶  | T-A 0:75                       | 1 | HANDLE     |
| 12 | 3679564M91 | ◀  | T-A 0:75                       | 1 | HANDLE     |
| 13 | 3548289M91 | ▶  | T-A 0:50                       | 1 | LOCK       |
| 13 | 3548290M91 | ◀  |                                | 1 | LOCK       |
| 14 | 3679565M1  |    |                                | 4 | PIN        |

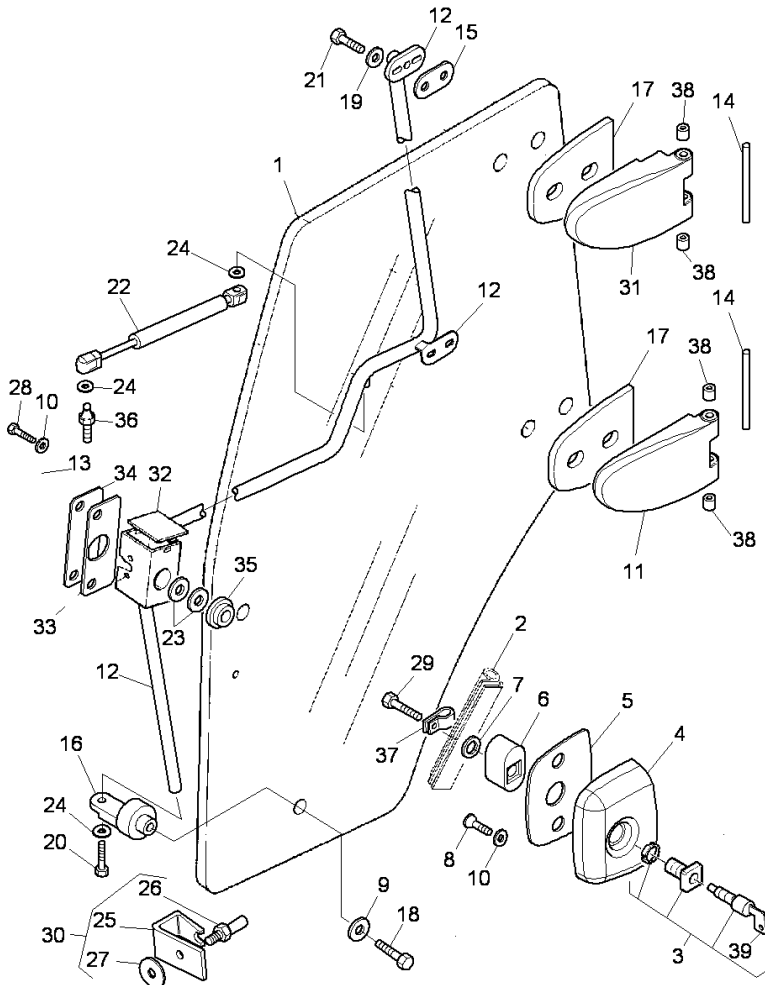
TRACTOR CAB

U-47  
04

CAB - DOORS

Rex Tier 2 fp/cab  
desp. 80 F/GE

U4704



15	3679338M1		4	GROMMET
16	3548394M1		2	PIN
17	3683528M1		4	SHIM
18	3009441X1	M8X25	2	SCREW
19	391039X1		8	WASHER
20	339761X1	M8X25	2	SCREW
21	339761X1	M8X25	8	SCREW
22	3651665M91		2	SPRING
23	3685419M1		2	WASHER
24	390972X1		6	WASHER
25	3548300M1	! 30	2	GUARD
26	3661068M1	● 3548298M1 (2) ! 30	2	PIN
27	3548299M1	! 30	2	NAMEPLATE
28	3001753X1	M6X20	4	SCREW
29	3009537X1	M5X20	2	SCREW
30	3660097M91		2	STIRRUP
31	3679552M2	▲ (X) 0.1.3.5	2	HINGE
32	3660129M1		2	PLUG
33	3679562M1		2	GASKET
34	3683913M1		2	NAMEPLATE
35	3660071M1		2	SPACER
36	3696375M1		4	PIN
37	3696717M1		6	RETAINER
38	3669466M1		8	BUSH
39	3310759M1	! 3	1	KEY

TRACTOR CAB

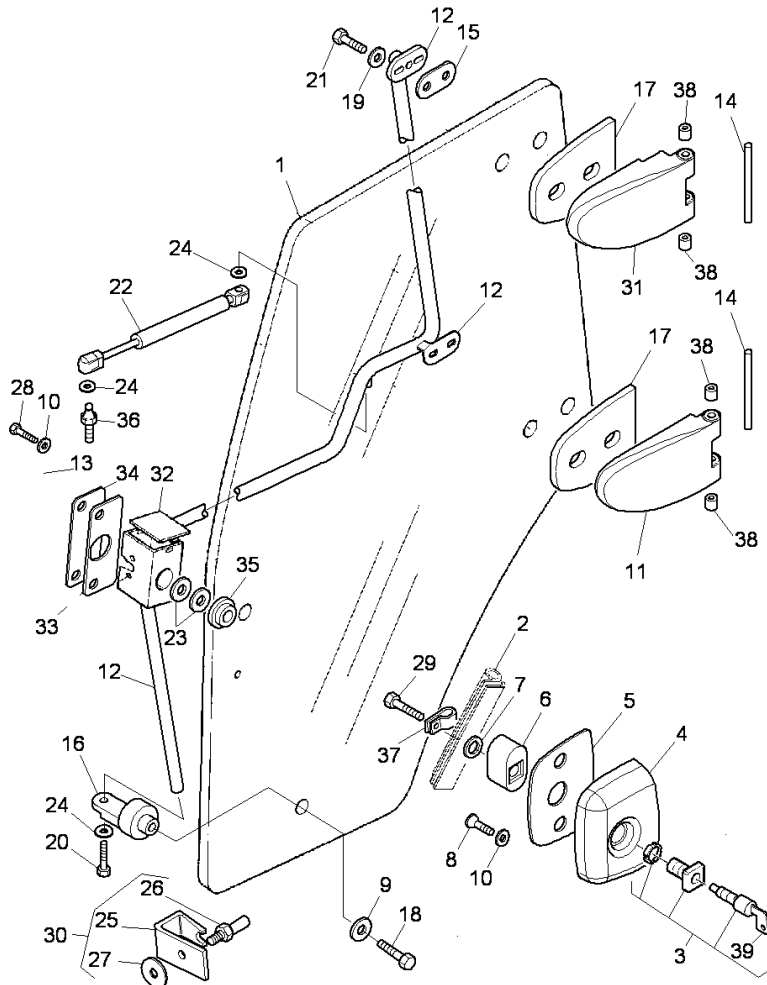
**U-47  
04**

CAB - DOORS

Rex Tier 2 fp/cab  
desp. 80 F/GE



U4704



- !
- ▲
- ▼
- ◀
- ▶
- ◄
- T-A
- (X)

THIS IS A COMPONENT OF AN ASSEMBLY

TOP

LOWER COMPONENT

LEFT HAND

RIGHT HAND

LENGTH

Replacement

QTY PER TRACTORS SOLD (AA.BBB.CCC.DDD) (AA) FOR  
1,(BBB) 2-10 (CCC) 11-25 (DDD) 26-50

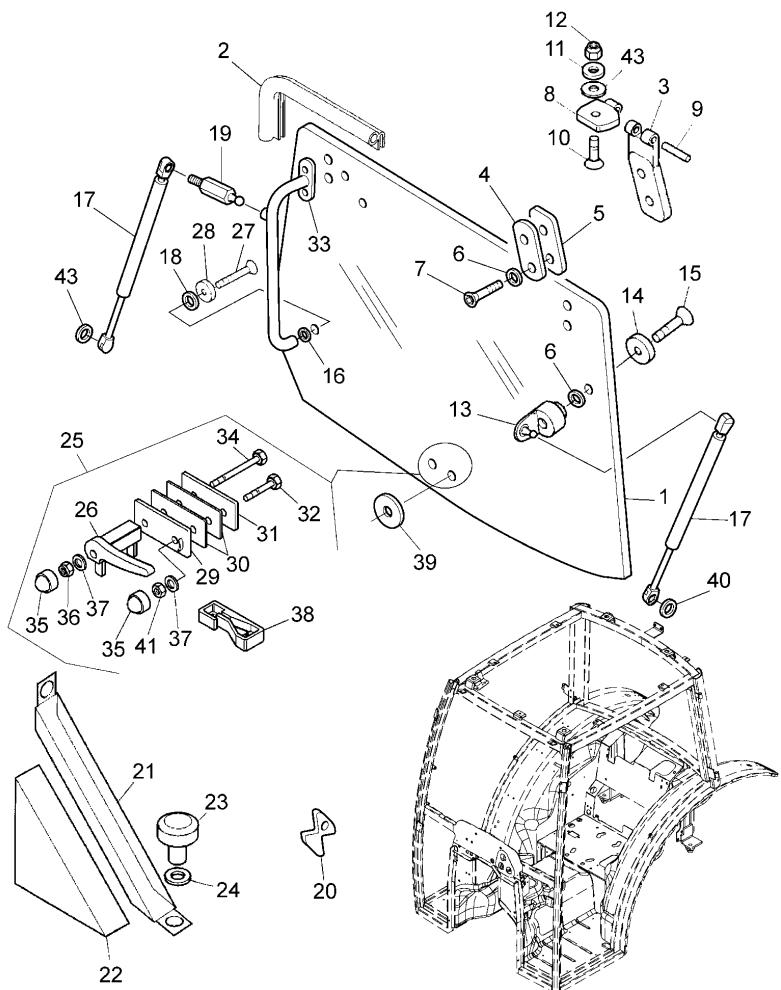
TRACTOR CAB

U-47  
05

TRACTOR CAB - WINDOWS - REAR

Rex Tier 2 fp/cab  
desp. 80 F/GE

U4705



1	3679459M1		1	GLASS
2	3679460M1	◀ T-A 0:75 3.3 MT (X) 1.2.4.8 T-A 0:75	1	GASKET
3	3659005M1	T-A 0:25	2	HINGE
4	3679462M1		2	WASHER
5	3659460M1		2	GROMMET
6	391039X1		6	WASHER
7	3008490X1	● 3008302X1 (4) M8X20 M8X20 T-A 0:25	4	SCREW
8	3679339M1		2	HINGE
9	3659462M1		2	DOWEL
10	3009432X1	M6X25	4	SCREW
11	391038X1		4	WASHER
12	1441500X1		4	NUT
13	3548026M1		1	YOKE
		T-A 0:25		
14	3548029M1		1	WASHER
15	3015303X1	M8X35	1	SCREW
16	3548285M1		1	WASHER
17	3686758M91		2	SPRING
18	3010467X1		1	WASHER
19	3548358M1		1	BALL JOINT
20	3679545M1		2	PAD
21	3679464M1		1	PAD
22	3679465M1		1	PAD

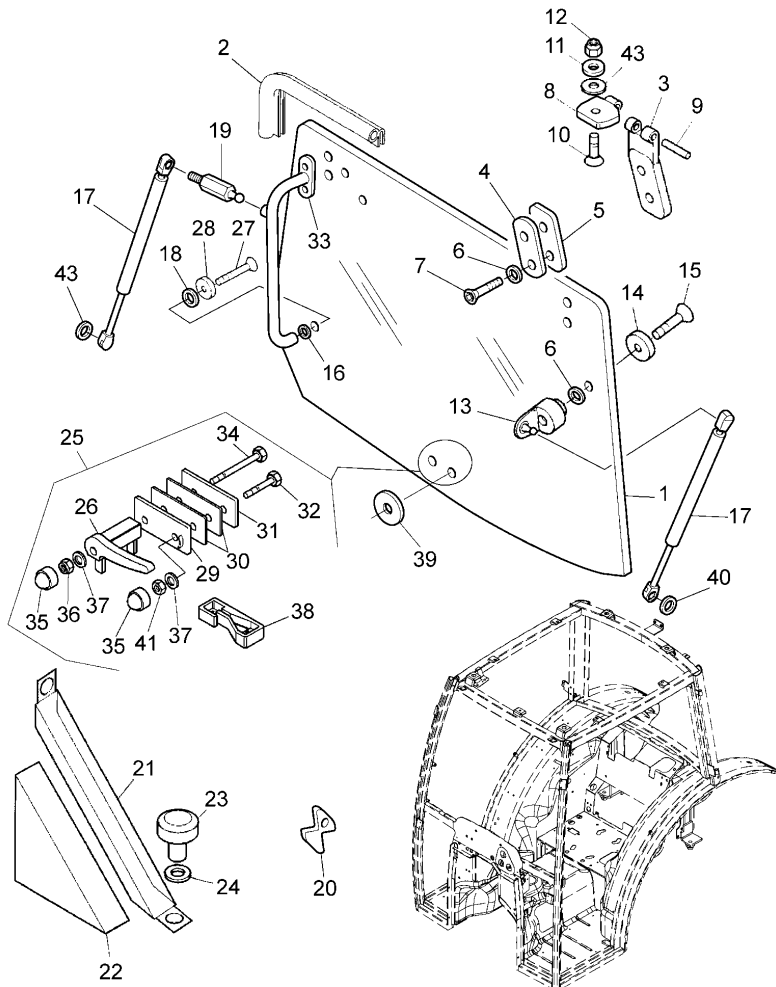
TRACTOR CAB

U-47  
05

TRACTOR CAB - WINDOWS - REAR

Rex Tier 2 fp/cab  
desp. 80 F/GE

U4705



23	3660065M1		1	KNOB
24	391038X1		2	WASHER
25	3555895M93	● 3555895M94 (1)	1	HANDLE
		T-A 0:75		
26	3657398M1	! 25	1	HANDLE
		(X) 0.1.2.4		
		M8X30		
27	3009442X1		1	SCREW
28	3548029M1		1	WASHER
29	3668708M1	● 3619604M1 (1)	1	SPACER
		! 25		
30	3647226M1	! 25	2	GASKET
31	3619603M1	! 25	1	PLATE
32	3619908M1	! 25	1	SCREW
33	3679463M91		1	HANDLE
		T-A 0:25		
34	3619907M1	! 25	1	SCREW
35	3555162M1	! 25	2	PLUG
36	1440329X1	! 25	1	NUT
37	390734X1	! 25	2	WASHER
38	3619610M1	! 25	1	RETAINER
39	3660071M1		2	SPACER
40	391039X1		6	WASHER
41	392293X1	● 339402X1 (1)	1	NUT
		! 25		

! THIS IS A COMPONENT OF AN ASSEMBLY

◄► LENGTH

T-A Replacement

(X) QTY PER TRACTORS SOLD (AA.BBB.CCC.DDD) (AA) FOR  
1,(BBB) 2-10 (CCC) 11-25 (DDD) 26-50

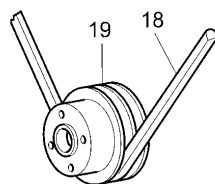
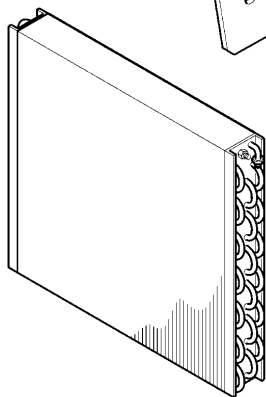
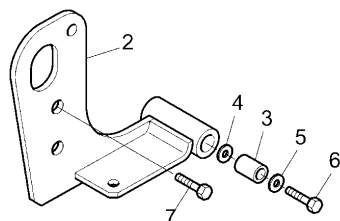
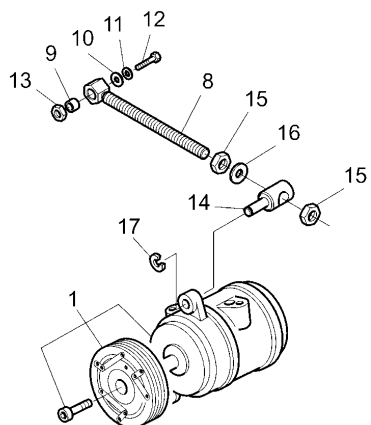
TRACTOR CAB

U-47  
06

TRACTOR CAB - AIR CONDITIONER - COMPRESSOR AND CONDENSER

Rex Tier 2 fp/cab  
desp. 80 F/GE

U4706



- |     |                             |                  |   |            |
|-----|-----------------------------|------------------|---|------------|
| 1   | 3676563M91                  |                  | 1 | COMPRESSOR |
| 2   | 3678914M91                  | ● 3678914M92 (1) | 1 | SUPPORT    |
|     |                             | T-A 0:50         |   |            |
| 3   | 3650491M1                   |                  | 1 | BUSH       |
|     |                             | T-A 0:50         |   |            |
| 4   | 390972X1                    |                  | 3 | WASHER     |
| 5   | 339374X1                    |                  | 3 | LOCK & SEA |
| 6   | 339337X1                    | M8X30            | 3 | SCREW      |
| 7   | 3009205X1                   | M10X20           | 2 | SCREW      |
| 8   | 3676448M91                  |                  | 1 | TIE ROD    |
|     |                             | T-A 0:50         |   |            |
| 9   | 3551771M1                   |                  | 1 | SPACER     |
| 10  | 390734X1                    |                  | 2 | WASHER     |
| 11  | 1440314X1                   |                  | 1 | LOCK & SEA |
| 12  | 3009497X1                   | M10X50           | 1 | BOLT       |
| 13  | 392293X1                    | ● 339402X1 (1)   | 1 | NUT        |
| 14  | 3676451M1                   |                  | 1 | PIN        |
| 15  | 3019125X1                   |                  | 2 | NUT        |
| 16  | 390972X1                    |                  | 1 | WASHER     |
| 17  | 3533124M1                   |                  | 1 | CLIP       |
| 18  | 3656765M1                   |                  | 1 | BELT       |
|     |                             | T-A 1:75         |   |            |
| 19  | ⊖ A-05 02 52                |                  | 1 | PULLEY     |
| ⊖   | SEE PAGE - REFERENCE NUMBER |                  |   |            |
| T-A | Replacement                 |                  |   |            |



TRACTOR CAB

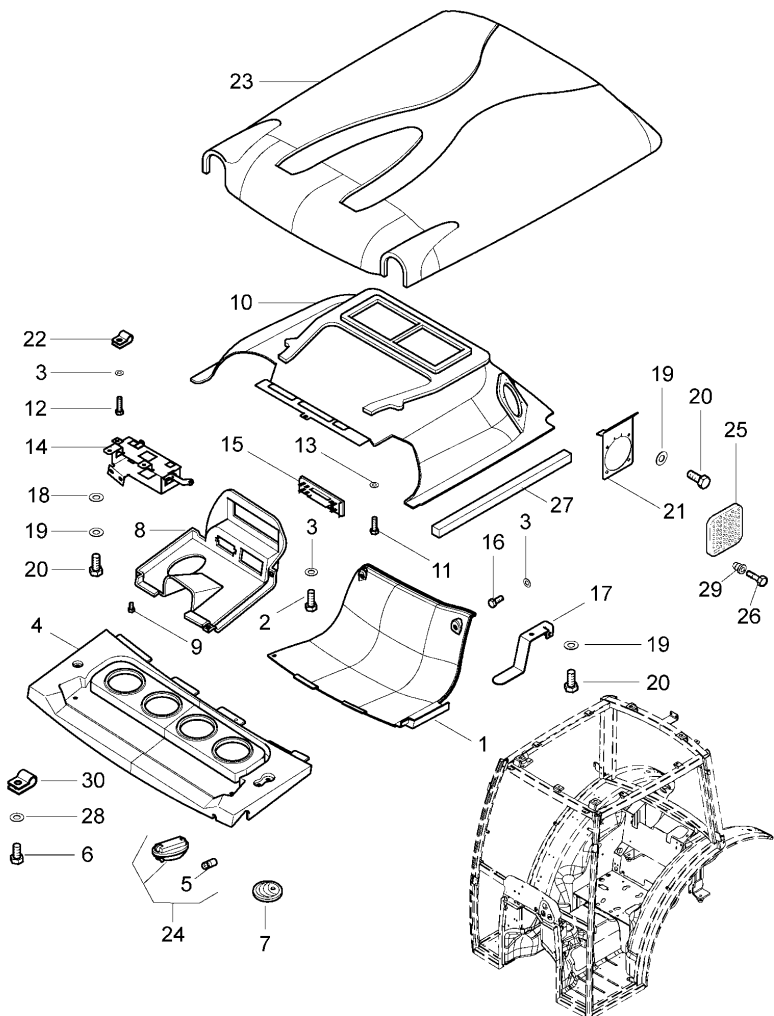
U-47  
07

TRACTOR CAB - ROOF - CLADDING PANEL

Rex Tier 2 fp/cab  
desp. 80 F/GE



U4707



- |    |            |   |               |   |            |
|----|------------|---|---------------|---|------------|
| 1  | 3684280M1  | ◀ |               | 1 | GRILLE     |
| 2  | 3015127X1  |   | T-A 0:50      | 1 | SCREW      |
| 3  | 1427000M1  |   | M4.8X19       | 7 | WASHER     |
| 4  | 3684256M2  |   |               | 1 | FACING     |
| 5  | 3665395M1  | ! | T-A 0:50      | 1 | LAMP       |
| 6  | 3015153X1  |   | 24            | 1 | SCREW      |
| 7  | 3669481M1  |   | 12V - 10W     | 4 | FILLER     |
|    |            |   | M6X20         |   |            |
|    |            |   | T-A 0:25      |   |            |
| 8  | 3684281M1  |   |               | 1 | SUPPORT    |
| 9  | 3015082X1  |   |               | 1 | SCREW      |
| 10 | 3684238M1  |   |               | 1 | FACING     |
|    |            |   | T-A 1:0       |   |            |
| 11 | 3015167X1  |   | M5X20         | 1 | SCREW      |
| 12 | 3015027X1  | ● | 3015028X1 (2) | 2 | SCREW      |
|    |            |   | M4.8X35       |   |            |
| 13 | 3019560X1  |   |               | 1 | LOCK WASHE |
| 14 | 3684553M91 |   |               | 1 | SUPPORT    |
| 15 | 3548330M1  |   |               | 1 | COVER      |
| 16 | 3007932X1  |   | M5X12         | 2 | SCREW      |
| 17 | 3684669M92 | ◀ |               | 1 | STIRRUP    |
| 18 | 339375X1   |   |               | 2 | LOCK WASHE |
| 19 | 390971X1   |   |               | 7 | WASHER     |
| 20 | 339560X1   |   | M6X16         | 7 | SCREW      |
| 21 | 3684505M1  |   |               | 2 | STIRRUP    |
| 22 | 3696717M1  |   |               | 2 | SPRING     |
| 23 |            | ◊ | U-47 02 01    | 1 | ROOF       |
| 24 | 3679315M91 |   | T-A 0:25      | 1 | ROOF LIGHT |

TRACTOR CAB

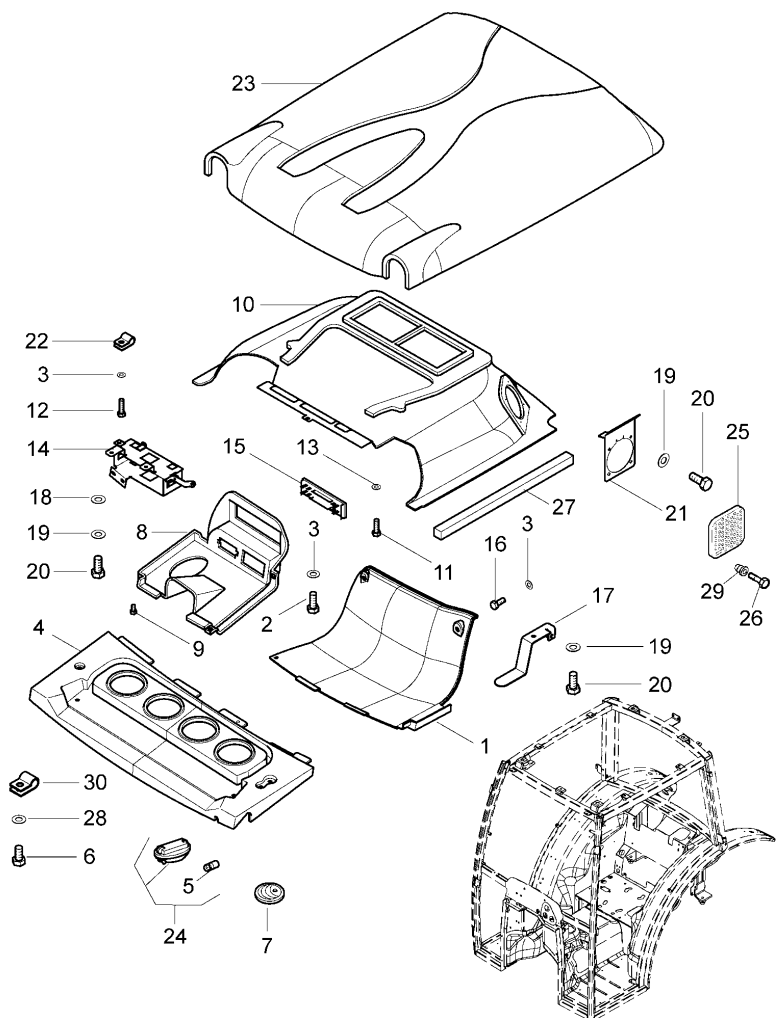
**U-47  
07**

TRACTOR CAB - ROOF - CLADDING PANEL

Rex Tier 2 fp/cab  
desp. 80 F/GE



U4707



- |    |           |         |          |
|----|-----------|---------|----------|
| 25 | 3389655M1 | 2       | MASK     |
| 26 | 3692311X1 | 8       | SCREW    |
| 27 | 3685885M1 | ◄ 1.8 m | 1 GASKET |
| 28 | 3547333M1 |         | 1 WASHER |
| 29 | 3556476M1 |         | 8 INSERT |
| 30 | 3696717M1 |         | 1 SPRING |
- ! THIS IS A COMPONENT OF AN ASSEMBLY
- ◁ SEE PAGE - REFERENCE NUMBER
- ◄ LEFT HAND
- ◄ LENGTH
- T-A Replacement

TRACTOR CAB

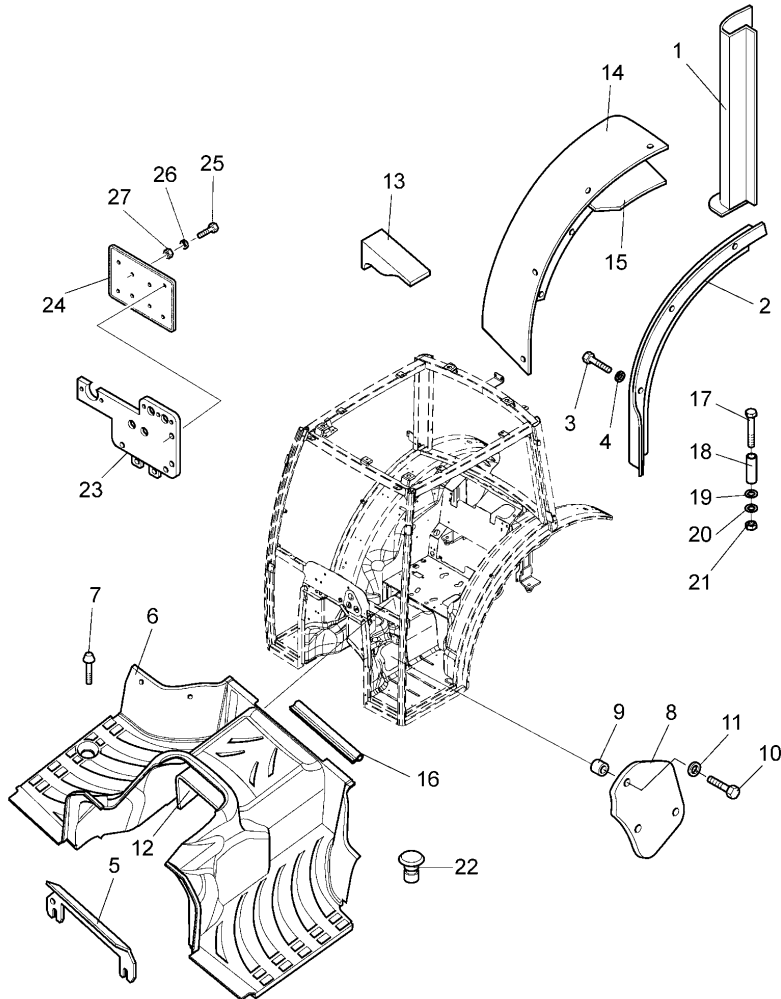
U-47  
08

TRACTOR CAB - INSULATION AND CLADDING

Rex Tier 2 fp/cab  
desp. 80 F/GE



U4708



- |    |            |    |                |   |         |
|----|------------|----|----------------|---|---------|
| 1  | 3684453M2  | ●  | 3684453M3 (1)  | 1 | FACING  |
|    |            | ▶  |                |   |         |
| 1  | 3684455M2  | ▲  |                | 1 | FACING  |
| 2  | 3683540M1  |    |                | 1 | FACING  |
| 3  | 3015126X1  |    |                | 3 | SCREW   |
| 4  | 1427000M1  |    |                | 3 | WASHER  |
| 5  | 3678440M2  |    |                | 1 | STIRRUP |
|    |            |    | T-A 0:50       |   |         |
| 6  | 3678457M1  | ●  | 3678457M2 (1)  | 1 | FACING  |
|    |            |    | C              |   |         |
|    |            |    | T-A 0:50       |   |         |
|    |            |    | B              |   |         |
| 7  | 3662370M1  |    |                | 4 | PLUG    |
| 7  | 3662370M1  |    | A              | 3 | PLUG    |
| 8  | 3678493M2  |    |                | 1 | COVER   |
| 9  | 3678491M1  |    |                | 3 | SPACER  |
| 10 | 3015105X1  |    | M6X25          | 3 | SCREW   |
| 11 | 3547333M1  |    |                | 3 | WASHER  |
| 12 | 3679577M1  | ◄▶ | 0.2 MT         | 1 | SHEATH  |
| 13 | 3676941M1  |    |                | 2 | PAD     |
| 14 | 3675697M2  | ▶  |                | 1 | FACING  |
|    |            |    | C              |   |         |
|    |            |    | T-A 0:25       |   |         |
| 14 | 3677679M2  | ▲  |                | 1 | FACING  |
|    |            |    | C              |   |         |
|    |            |    | T-A 0:25       |   |         |
| 15 | 3553507M91 | ●  | 3550669M91 (1) | 1 | BAND    |
|    |            | ◄▶ | 4.8 MT         |   |         |
| 16 | 3678465M1  |    |                | 1 | GASKET  |
| 17 | 3683515X1  |    | M5X55          | 1 | SCREW   |
| 18 | 3683514M1  |    |                | 1 | SPACER  |

TRACTOR CAB

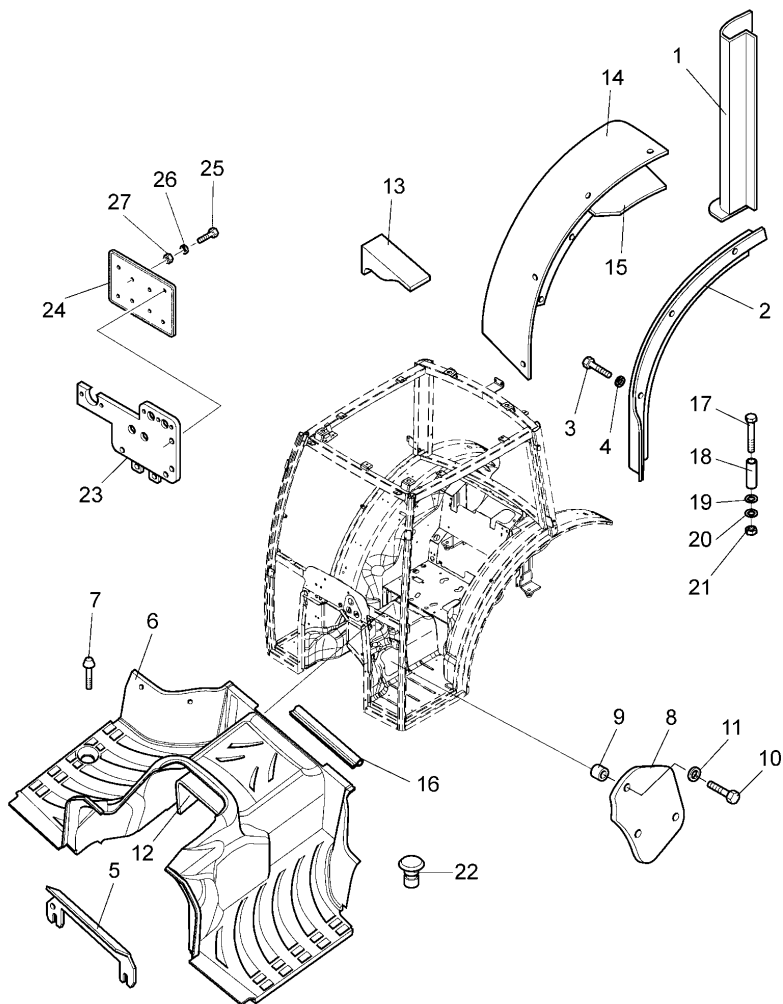
U-47  
08

TRACTOR CAB - INSULATION AND CLADDING

Rex Tier 2 fp/cab  
desp. 80 F/GE



U4708



- |    |            |         |   |            |
|----|------------|---------|---|------------|
| 19 | 1427000M1  |         | 1 | WASHER     |
| 20 | 3019560X1  |         | 1 | LOCK WASHE |
| 21 | 1441494X1  |         | 1 | NUT        |
| 22 | 3685060M1  |         | 4 | PLUG       |
| 23 | 3678538M92 | D       | 1 | PLATE      |
| 24 | 3309186M1  | E       | 1 | LICENCE PL |
| 25 | 3008179X1  | E       | 4 | SCREW      |
| 26 | 1440311X1  | ● M4X10 | 4 | LOCK WASHE |
|    |            | E       |   |            |
| 27 | 1443615X1  | E       | 4 | NUT        |
- A WITH CAB CONDITIONED AIR  
 B CAB WITHOUT CONDITIONED AIR  
 C VERSION "F"  
 D WITHOUT TRIANGLE SUPPORT FOR ROAD CIRCULATION  
 E COMPULSORY FOR FRANCE  
 ◀ LEFT HAND  
 ▶ RIGHT HAND  
 ↔ LENGTH  
 T-A Replacement

TRACTOR CAB

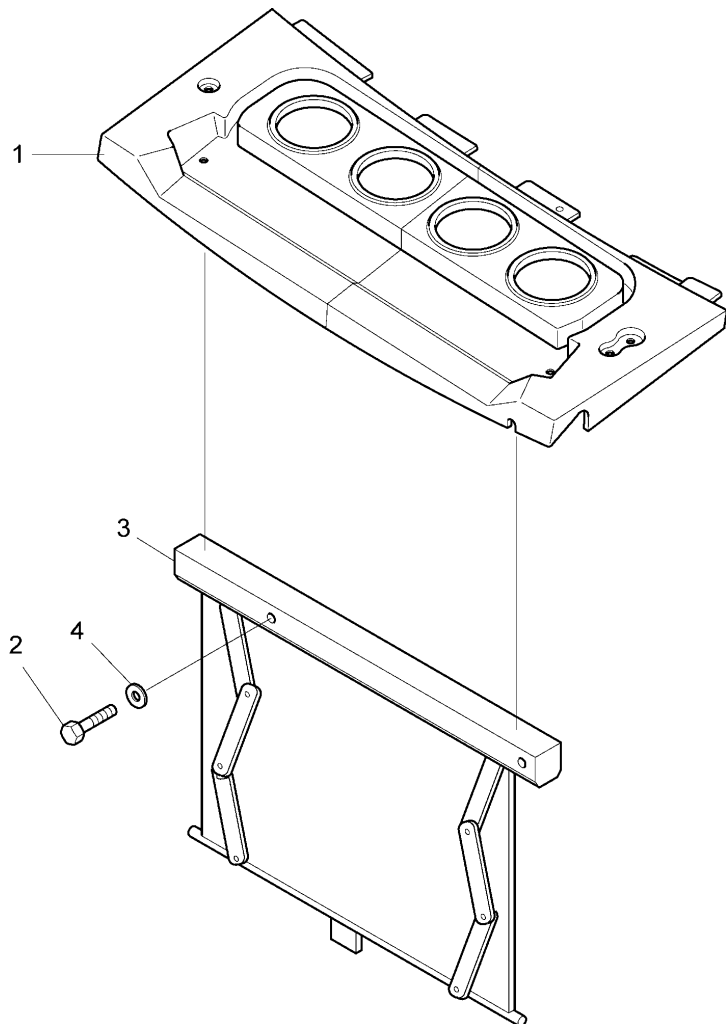
U-47  
09

TRACTOR CAB - VISOR CURTAINS KIT

Rex Tier 2 fp/cab  
desp. 80 F/GE



U4709



- |     |                             |   |            |
|-----|-----------------------------|---|------------|
| 1   | U-47 07 04                  | 1 | FACING     |
| 2   | 3015127X1                   | 2 | SCREW      |
| 3   | 3679332M91                  | 1 | CURTAIN    |
|     | T-A 0:50                    |   |            |
| 4   | 3019560X1                   | 2 | LOCK WASHE |
| ☞   | SEE PAGE - REFERENCE NUMBER |   |            |
| T-A | Replacement                 |   |            |

TRACTOR CAB

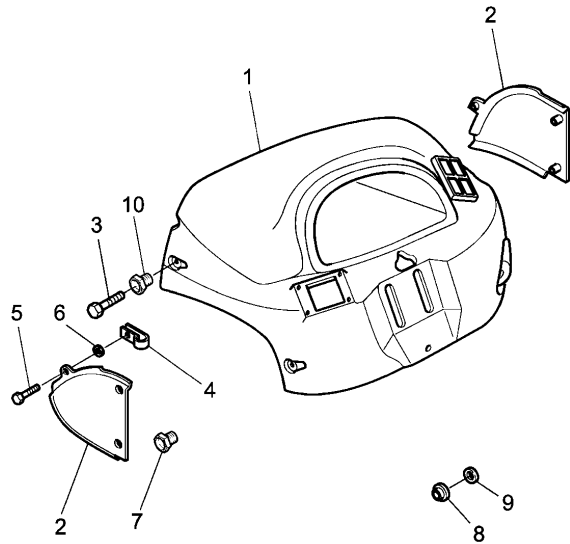
U-47  
10

TRACTOR CAB - PANELS

Rex Tier 2 fp/cab  
desp. 80 F/GE



U4710



- |    |           |   |               |        |       |
|----|-----------|---|---------------|--------|-------|
| 1  | 3694210M2 |   | 1             | PANEL  |       |
| 2  | 3675412M4 | ● | 3675412M7 (1) | 1      | PANEL |
|    |           | ▶ | T-A 0:25      |        |       |
| 2  | 3675413M4 | ● | 3675413M7 (1) | 1      | PANEL |
|    |           | ▲ | T-A 0:25      |        |       |
|    |           |   | M6X20         |        |       |
| 3  | 3015153X1 |   | 3             | SCREW  |       |
| 4  | 3673075M1 |   | 4             | SPRING |       |
| 5  | 3673077M2 |   | 6             | SCREW  |       |
| 6  | 3673078M1 |   | 6             | WASHER |       |
| 7  | 3673079M1 |   | 2             | INSERT |       |
| 8  | 3674553M1 |   | 4             | WASHER |       |
| 9  | 3674555M1 |   | 2             | WASHER |       |
| 10 | 3684594M1 |   | 3             | RIVET  |       |

- ◀ LEFT HAND  
▶ RIGHT HAND  
T-A Replacement

TRACTOR CAB

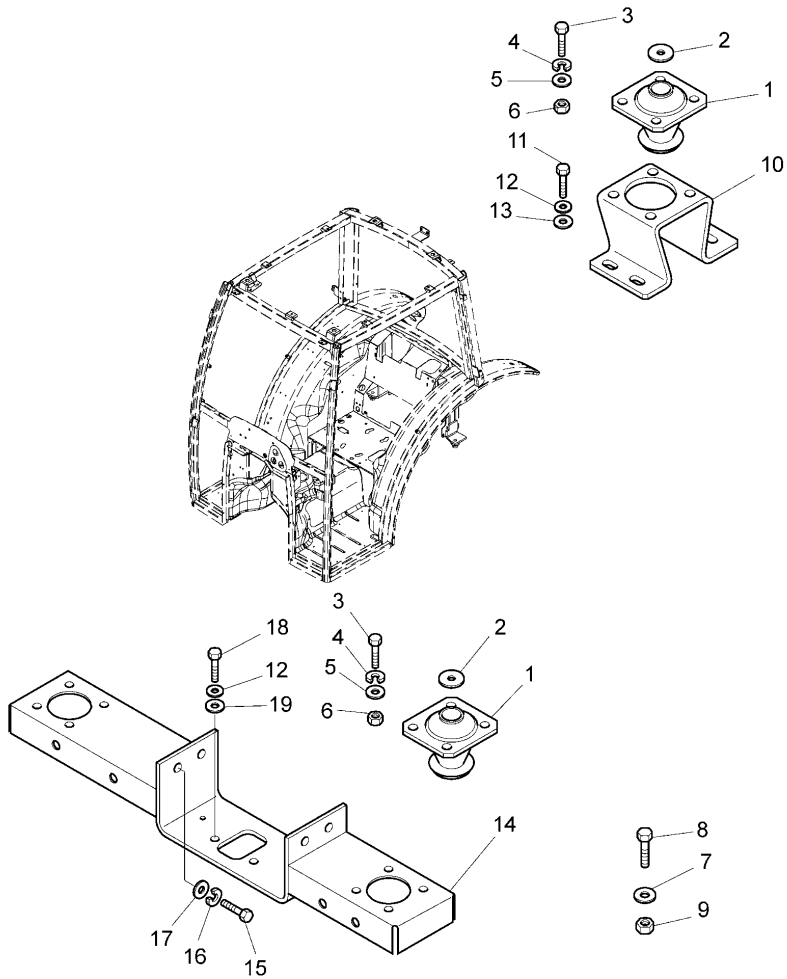
U-47  
11

TRACTOR CAB - SOPPORTS

Rex Tier 2 fp/cab  
desp. 80 F/GE



U4711

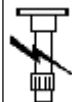


- |     |            |  |    |            |
|-----|------------|--|----|------------|
| 1   | 3647774M91 |  | 4  | DAMPER     |
|     |            | T-A 4:50   | 4  | WASHER     |
| 2   | 3676774M2  |  | 16 | SCREW      |
| 3   | 3009493X1  | M10X30   | 16 | WASHER     |
| 4   | 390734X1   |  | 16 | LOCK & SEA |
| 5   | 1440314X1  |  | 16 | NUT        |
| 6   | 392293X1   | ● 339402X1 (16)                                    | 4  | LOCK WASHE |
| 7   | 391414X1   |  | 4  | SCREW      |
| 8   | 1440041X1  | ● 392476X1 (4)<br>M16X60                           | 2  | NUT        |
| 9   | 339034X1   |  | 2  | SUPPORT    |
| 10  | 3675686M1  | ● 3675686M2 (2)<br>B<br>T-A 4:50                   | 8  | SCREW      |
| 11  | 3009506X1  | M12X30   | 8  | LOCK WASHE |
| 12  | 339369X1   |  | 8  | WASHER     |
| 13  | 390735X1   |  | 1  | SUPPORT    |
| 14  | 3674550M95 | ● 4206161M93 (1)<br>4206176M93 (1)<br>A<br>T-A 5:0 | 4  | SCREW      |
| 15  | 339275X1   | M16X35   | 4  | LOCK WASHE |
| 16  | 339377X1   |  | 4  | WASHER     |
| 17  | 3019565X1  |  | 2  | SCREW      |
| 18  | 339091X1   | M12X40   | 2  | WASHER     |
| 19  | 391212X1   |  |    |            |
| A   |            | FRONT  |    |            |
| B   |            | REAR   |    |            |
| T-A |            | Replacement  |    |            |

TRACTOR CAB

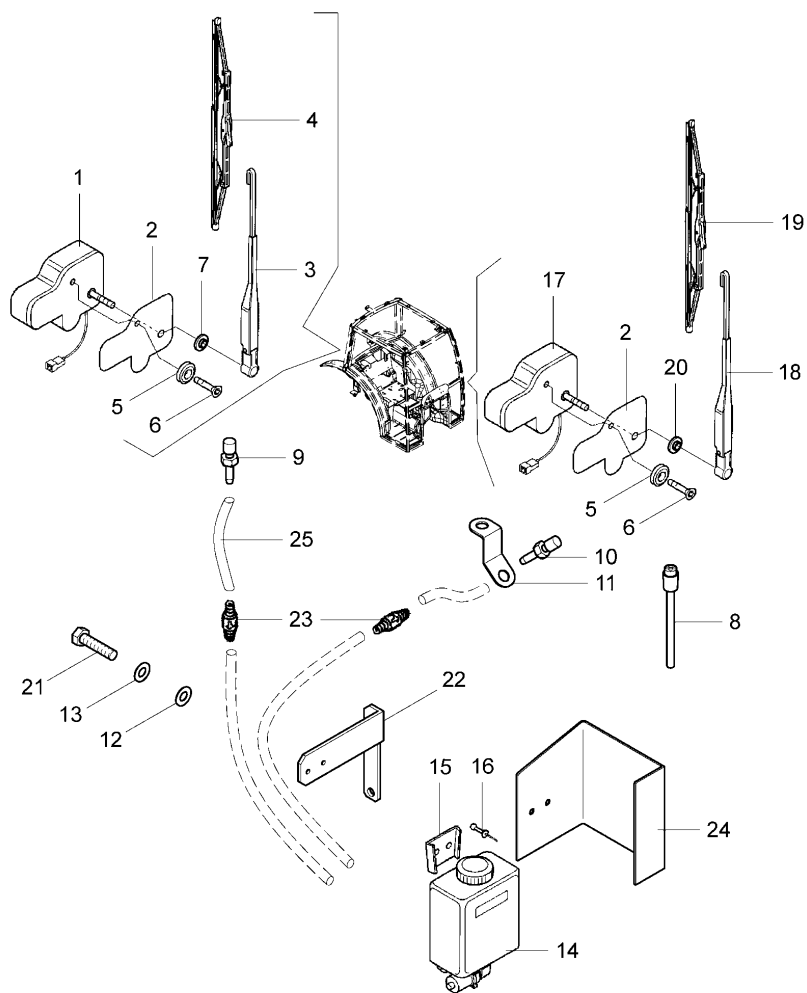
U-47  
12

TRACTOR CAB - WINDSCREEN WIPER



U4712

Rex Tier 2 fp/cab  
desp. 80 F/GE



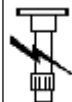
- |    |            |                 |   |            |
|----|------------|-----------------|---|------------|
| 1  | 3679461M91 | B               | 1 | STARTERMOT |
|    |            | T-A 0:25        |   |            |
| 2  | 3659457M1  |                 | 2 | DECAL      |
| 3  | 3659456M91 | ● 3659524M1 (1) | 1 | ARM        |
|    |            | B               |   |            |
|    |            | T-A 0:25        |   |            |
| 4  | 3547899M91 | B               | 1 | BRUSH      |
|    |            | T-A 0:25        |   |            |
| 5  | 3548029M1  |                 | 2 | WASHER     |
| 6  | 3009432X1  | M6X25           | 2 | SCREW      |
| 7  | 3660071M1  |                 | 1 | SPACER     |
| 8  | 3679457M91 | A               | 1 | HARNES     |
|    |            | T-A 0:25        |   |            |
| 9  | 4206662M91 | B               | 1 | SPLASHER   |
| 10 | 3660074M1  | A               | 1 | SPLASHER   |
| 11 | 3684555M1  | ● 3684555M2 (1) | 1 | SUPPORT    |
| 12 | 339377X1   |                 | 2 | LOCK WASHE |
| 13 | 1441664X1  |                 | 2 | WASHER     |
| 14 | 3662103M92 |                 | 1 | TANK       |
|    |            | T-A 0:25        |   |            |
| 15 | 3548244M1  |                 | 1 | STIRRUP    |
| 16 | 392898X1   |                 | 2 | RIVET      |
| 17 | 3679336M91 | A               | 1 | ENGINE     |
|    |            | T-A 0:25        |   |            |
| 18 | 3659456M91 | ● 3659524M1 (1) | 1 | ARM        |
|    |            | A               |   |            |
|    |            | T-A 0:25        |   |            |



TRACTOR CAB

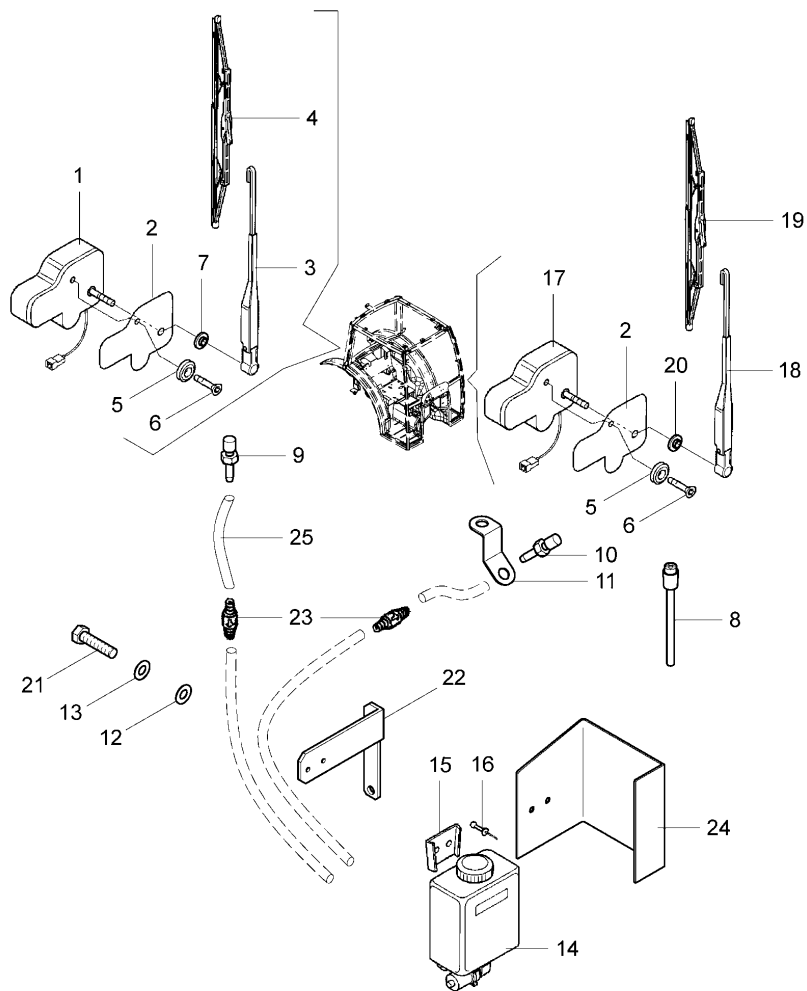
U-47  
12

TRACTOR CAB - WINDSCREEN WIPER



U4712

Rex Tier 2 fp/cab  
desp. 80 F/GE



- |     |            |             |   |         |
|-----|------------|-------------|---|---------|
| 19  | 3679337M91 | A           | 1 | BRUSH   |
|     |            | T-A 0:25    |   |         |
| 20  | 3660071M1  |             | 1 | SPACER  |
| 21  | 391269X1   | M16X30      | 2 | SCREW   |
| 22  | 3677657M91 |             | 1 | SUPPORT |
| 23  | 3556351M1  |             | 2 | VALVE   |
| 24  | 3679918M1  |             | 1 | GUARD   |
| 25  | 3683905M1  | ◄ 8.2 m     | 1 | PIPE    |
| A   |            | FRONT       |   |         |
| B   |            | REAR        |   |         |
| ◄   |            | LENGTH      |   |         |
| T-A |            | Replacement |   |         |

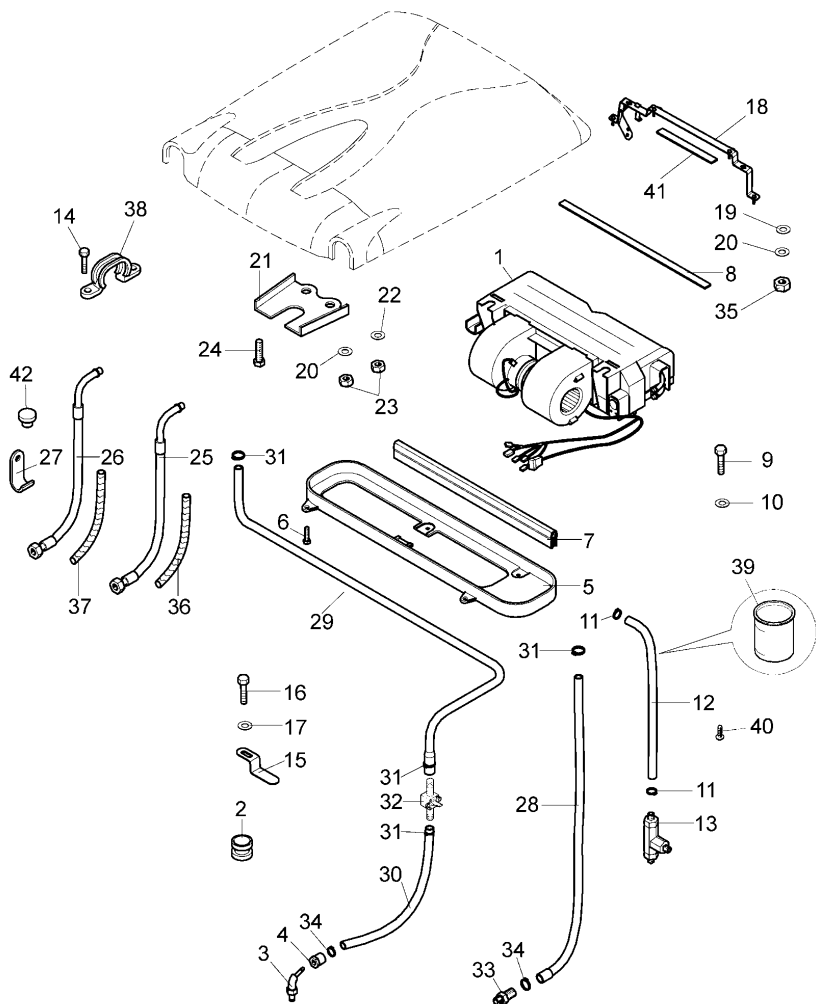
TRACTOR CAB

U-47  
13

TRACTOR CAB - AIR CONDITIONER - CAB HEATER - KIT

Rex Tier 2 fp/cab  
desp. 80 F/GE

U4713



1	U-47 14 01	1	KIT
2	A	1	CHOCK
2	B	1	CHOCK
3	C	1	ADAPTOR
4		1	UNION
5		1	CONVEYOR
6	3015159X1 (3)	3	SCREW
7	1.49 MT	1	GASKET
8	1.15 MT	1	GASKET
9		2	SCREW
10		2	LOCK WASHE
11		2	CLAMP
12	6.6 MT	1	PIPE
12	1.1MT	1	PIPE
13		2	UNION
14	B	2	SCREW
15		2	STIRRUP
16	M6X12	2	SCREW
17		2	WASHER
18		1	STIRRUP
19		2	WASHER
20		3	LOCK & SEA
21		1	STIRRUP
22		1	WASHER
23	394367X1 (2)	2	NUT
24	M8X25	1	SCREW
25	B	1	PIPE
26	B	1	PIPE
27	B	1	NAMEPLATE
28		1	PIPE
29		1	PIPE
30		1	PIPE

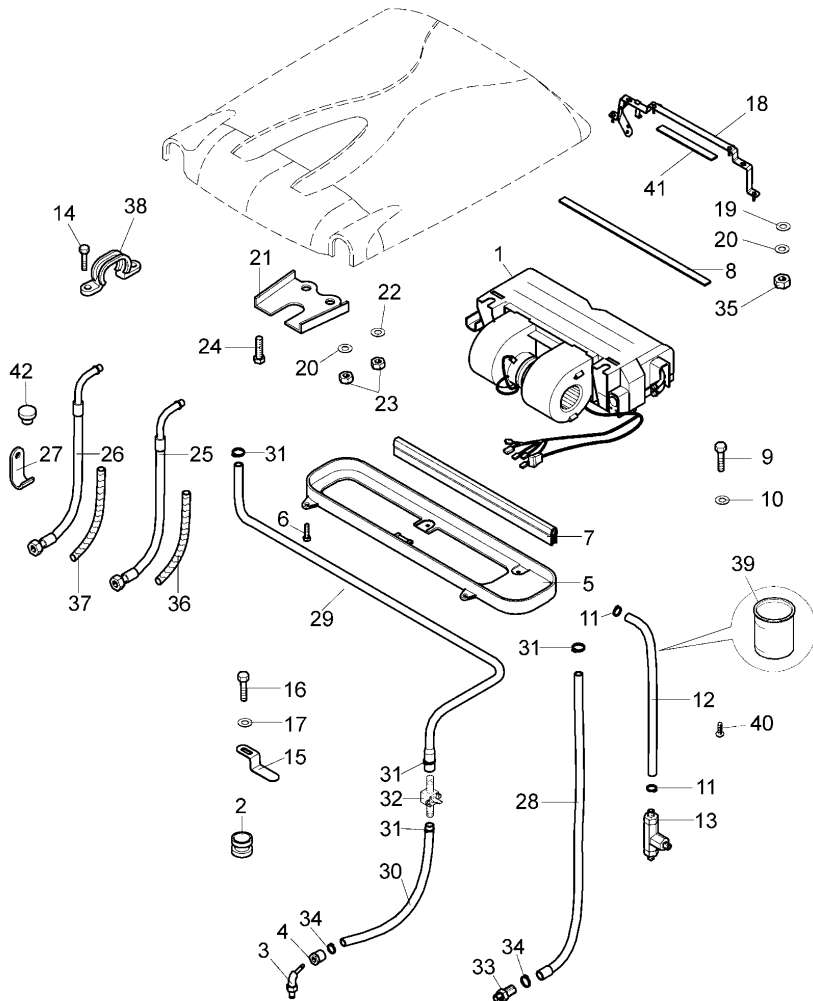
TRACTOR CAB

U-47  
13

TRACTOR CAB - AIR CONDITIONER - CAB HEATER - KIT

Rex Tier 2 fp/cab  
desp. 80 F/GE

U4713



- |    |            |            |   |          |
|----|------------|------------|---|----------|
| 31 | 3530490M91 |            | 4 | CLAMP    |
| 31 | 3553732M91 |            | 2 | CLAMP    |
| 32 |            | U-47 17 05 | 1 | COCK     |
| 33 | 3539021M1  | C          | 1 | UNION    |
| 34 | 3530490M91 |            | 2 | CLAMP    |
| 35 | 1441494X1  |            | 2 | NUT      |
| 36 | 3654321M1  | ◀▶ 0.35MT  | 1 | SHEATH   |
| 37 | 3683519M1  | ◀▶ 0.35MT  | 1 | SHEATH   |
| 38 | 3683363M91 | B          | 2 | CLAMP    |
| 39 | 3682574M1  |            | 1 | ADHESIVE |
| 40 | 3662370M1  |            | 2 | PLUG     |
| 41 | 3683365M1  |            | 1 | GASKET   |
| 42 | 3647047M1  | A          | 1 | PLUG     |
- ◊ SEE PAGE - REFERENCE NUMBER  
 A FOR HEATED CAB  
 B WITH CAB CONDITIONED AIR  
 C ON ENGINE  
 ◀▶ LENGTH

TRACTOR CAB

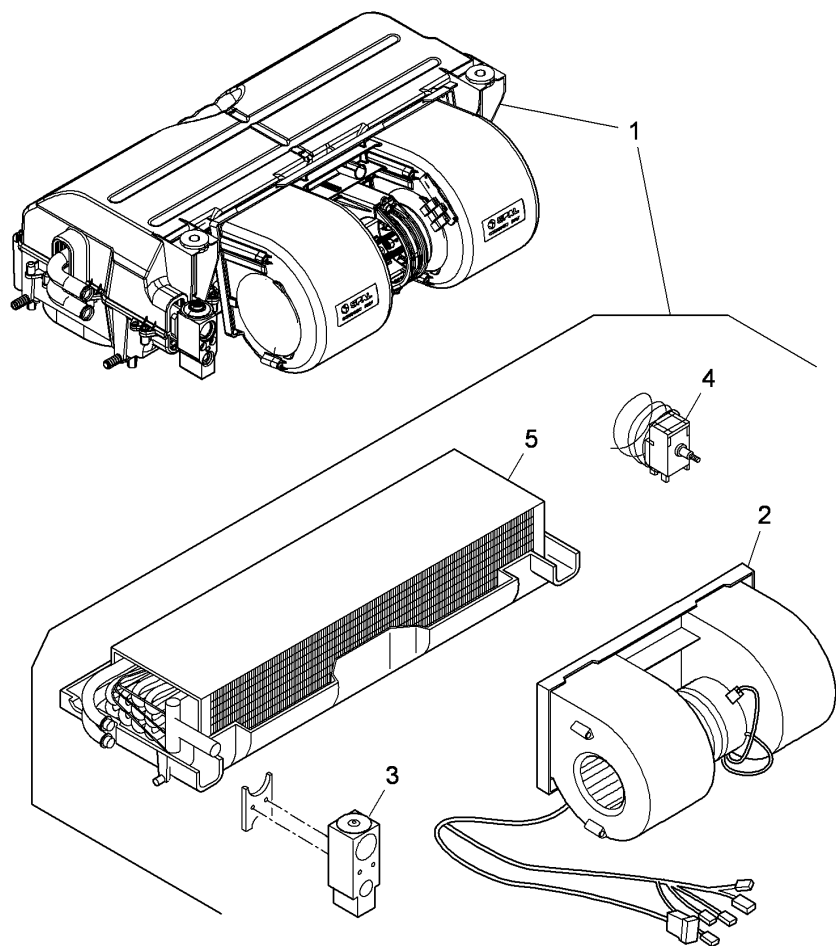
U-47  
14

TRACTOR CAB - AIR CONDITIONER - CAB HEATER - KIT

Rex Tier 2 fp/cab  
desp. 80 F/GE



U4714

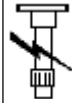


- |   |            |   |   |            |
|---|------------|---|---|------------|
| 1 | 3684341M91 |   | 1 | KIT        |
| 2 | 3690211M91 | ! | 1 | VENTILATOR |
| 3 | 3680162M91 | ! | 1 | VALVE      |
| 4 | 3690212M1  | ! | 1 | THERMOSTAT |
| 5 | 3690904M91 | ! | 1 | RADIATOR   |
- ! THIS IS A COMPONENT OF AN ASSEMBLY

TRACTOR CAB

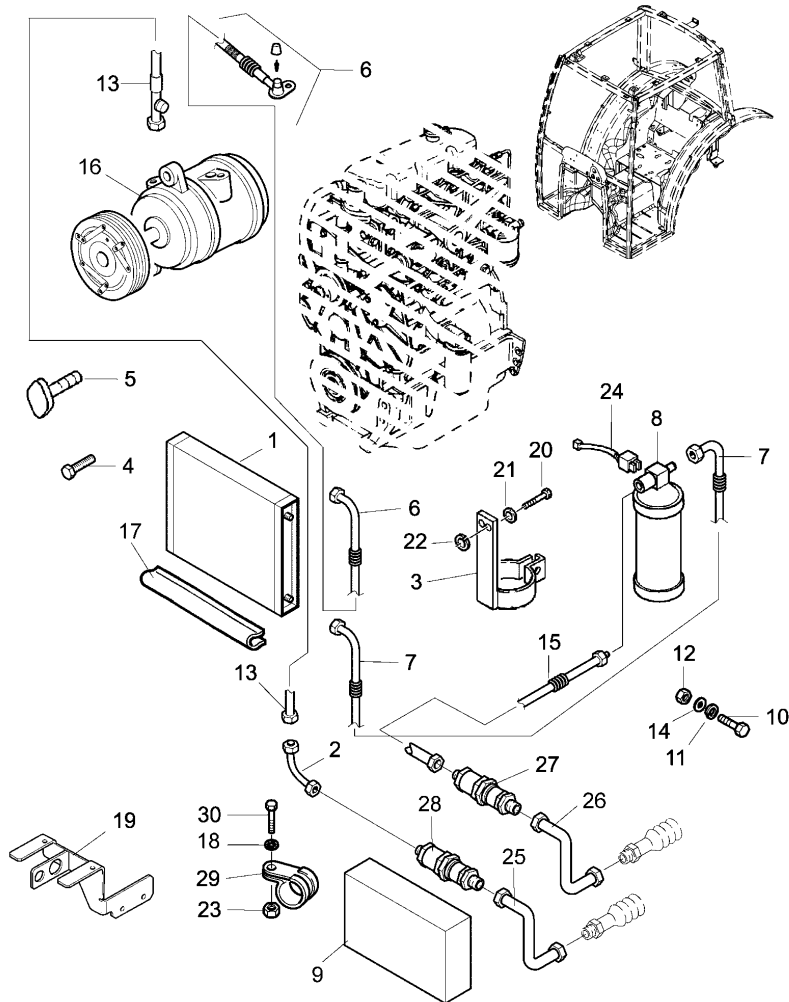
U-47  
15

TRACTOR CAB - AIR CONDITIONER - COMPRESSOR AND CONDENSER



U4715

Rex Tier 2 fp/cab  
desp. 80 F/GE



1	3687421M91		1	CONDENSER
2	3676781M91		1	PIPE
3	3661667M92	T-A 1:0	1	SUPPORT
4	3548445M1		1	PLUG
5	3551537M92		1	KNOB
6	3679706M92	● 3679706M93 (1)	1	PIPE
7	3687675M91	T-A 1:50	1	PIPE
8	3541151M91		1	FILTER
9	3680499M1		1	GUARD
10	339761X1	M8 X 25	1	SCREW
11	390972X1		2	LOCK WASHER
12	392292X1	● 394367X1 (1)	1	NUT
13	3678864M92		1	PIPE
14	339374X1		1	LOCK WASHE
15	3678855M91		1	PIPE
16	U-47 06 01	◁ U-47 06 01	1	COMPRESSOR
17	3665997M1	◀ 0.9MT	1	PROFILE
18	390971X1		2	WASHER
19	3676809M93		1	SUPPORT
20	339560X1	M6X16	2	SCREW
21	390971X1		2	WASHER
22	339375X1		2	LOCK WASHE
23	1442021X1		2	NUT
24	3541152M91		1	SWITCH,IND
25	3676782M91		1	PIPE
26	3676783M91		1	PIPE
27	3551245M91	1-1/4	1	UNION

TRACTOR CAB

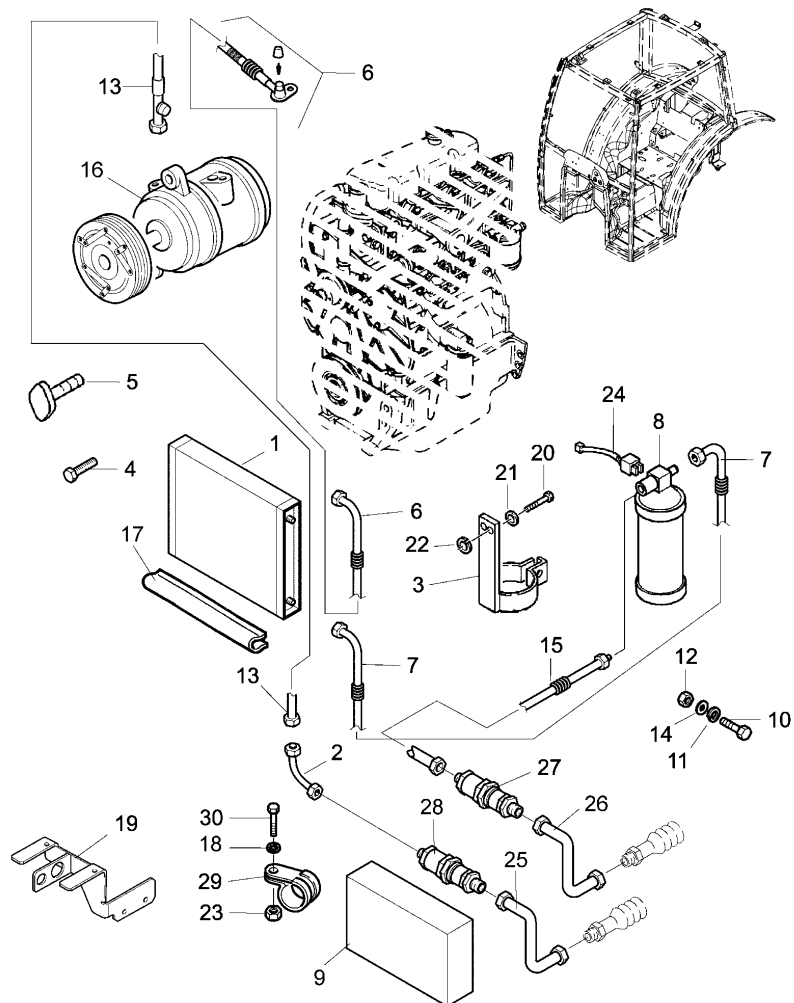
U-47  
15

TRACTOR CAB - AIR CONDITIONER - COMPRESSOR AND CONDENSER



U4715

Rex Tier 2 fp/cab  
desp. 80 F/GE



- |    |            |       |   |       |
|----|------------|-------|---|-------|
| 28 | 3551246M91 | 7/8   | 1 | UNION |
| 29 | 3657766M91 |       | 2 | CLAMP |
| 30 | 3009431X1  | M6X20 | 2 | SCREW |
- ☞ SEE PAGE - REFERENCE NUMBER  
A WITH CAB CONDITIONED AIR  
◄ LENGTH  
T-A Replacement

TRACTOR CAB

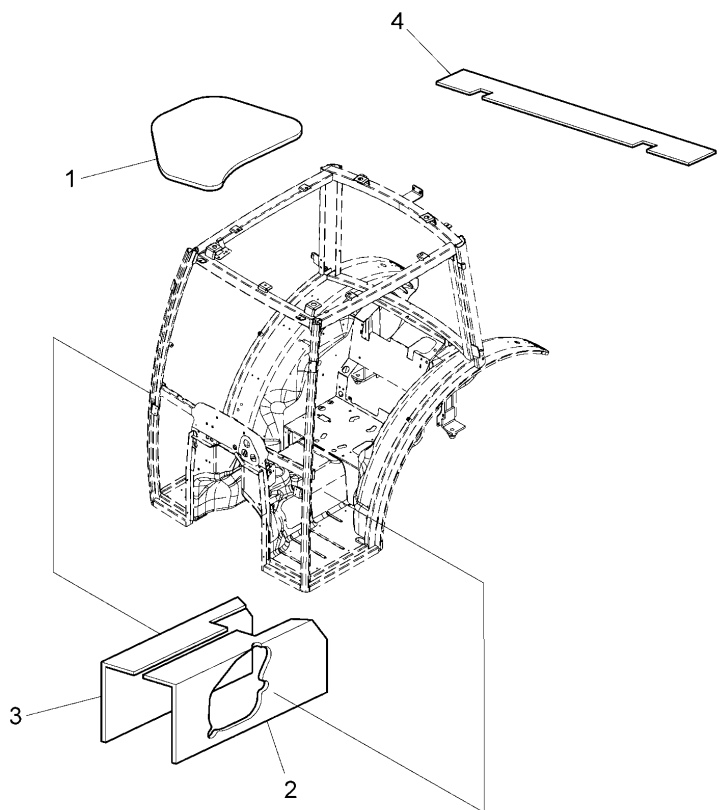
**U-47  
16**

CAB - INSULATION AND CLADDUING

Rex Tier 2 fp/cab  
desp. 80 F/GE



U4716



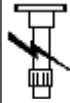
- |   |           |             |   |       |
|---|-----------|-------------|---|-------|
| 1 | 3674415M1 |             | 1 | GUARD |
| 2 | 3674378M1 | ◀           | 1 | GUARD |
|   |           | T-A 0:25    |   |       |
| 3 | 3674377M1 | ▶           | 1 | GUARD |
|   |           | T-A 0:50    |   |       |
| 4 | 3674376M1 |             | 1 | GUARD |
|   |           | T-A 0:50    |   |       |
|   | ◀         | LEFT HAND   |   |       |
|   | ▶         | RIGHT HAND  |   |       |
|   | T-A       | Replacement |   |       |

TRACTOR CAB

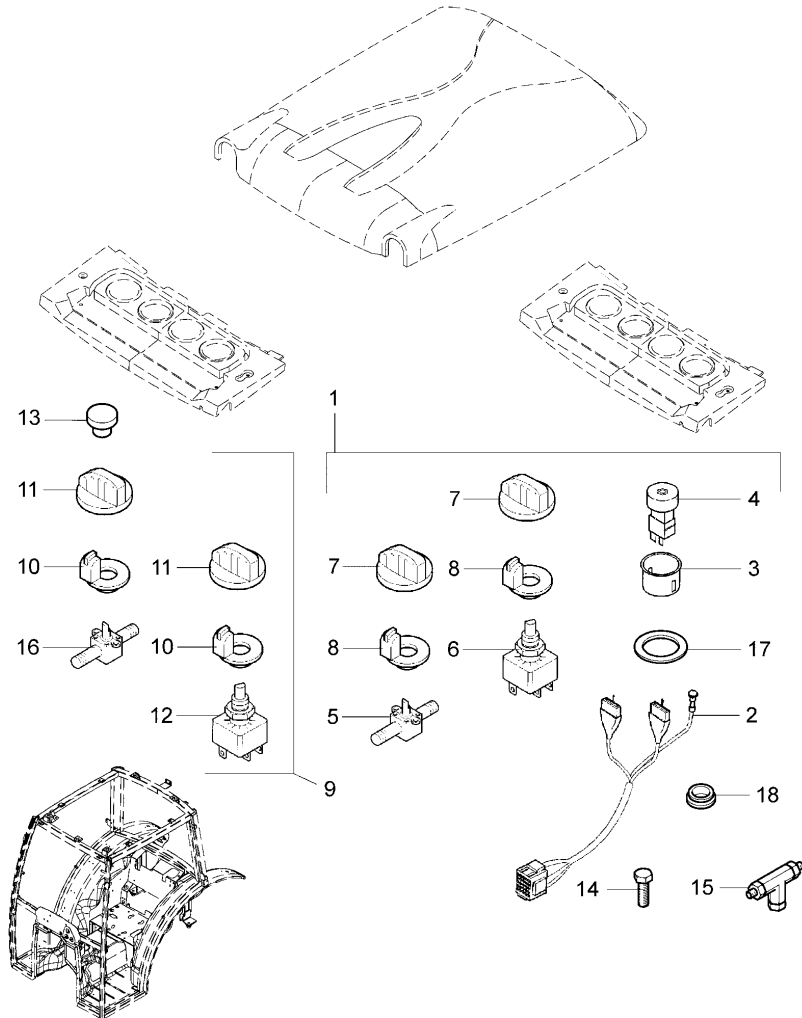
U-47  
17

TRACTOR CAB - KIT

Rex Tier 2 fp/cab  
desp. 80 F/GE



U4717



1	3685368M95	A	1	KIT
2	3687375M91	!	1	WIRING HAR
		T-A 1:0		
		T-A 0:25		
3	3677601M1	●	3541133M1 (1)	1 VALVE SEAT
		!	1	
4	3677635M91	●	3541132M91 (1)	1 SWITCH,IND
		!	1	
		C		
		T-A 0:25		
5	3685374M91	!	1	1 COCK
6	3677602M91	●	3541136M91 (1)	1 SWITCH,IND
		!	1	
		T-A 0:50		
7	3677610M1	!	1	2 KNOB
		T-A 0:25		
8	3677611M1	!	1	2 GUIDE
9	3685396M91	B	1	1 KIT
10	3677611M1	!	9	2 GUIDE
11	3677610M1	!	9	2 KNOB
12	3677602M91	●	3541136M91 (1)	1 SWITCH,IND
		!	9	
13	3647047M1	B	1	1 PLUG
14	3692304X1	!	1	2 SCREW
15	3686726M2	!	1	2 UNION
16	3685374M91	!	9	1 SWITCH,IND
17	3688699M2	A	1	1 SPACER
18	3691211M1		1	1 CHOCK
!	THIS IS A COMPONENT OF AN ASSEMBLY			
A	WITH CAB CONDITIONED AIR			
B	FOR HEATED CAB			
C	SWITCH AIR-CONDITIONING SYSTEM			
T-A	Replacement			



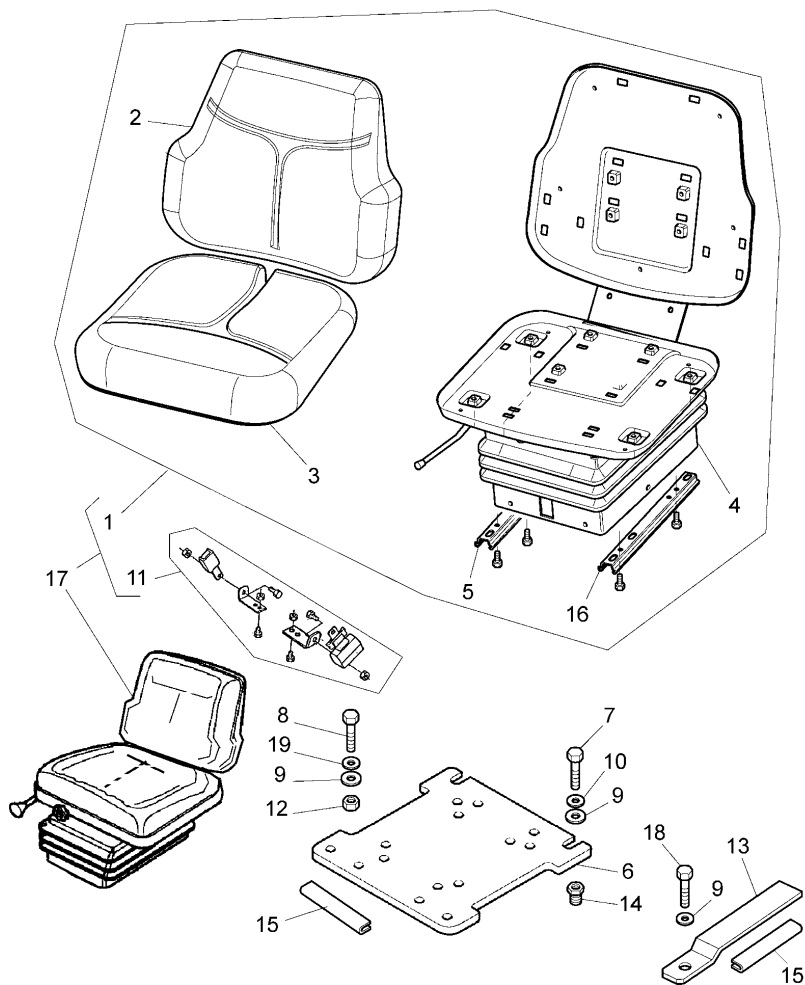
TRACTOR CAB

**U-47  
18**

DRIVER SEAT "MT" WITH MECHANICS SUSPENSION

Rex Tier 2 fp/cab  
desp. 80 F/GE

U4718



1	3672850M91	●	3685039M91 (1)	1	SEAT
		!	17		
			T-A 0:50		
2	3658011M1	!	1	1	BACK REST
			A		
3	3658010M1	!	1	1	CUSHION
			A		
4		!	1	1	SUSPENSION
		◇	U-47 19 01		
5	3676475M91	!	1	1	GUIDE
		▶	T-A 0:50		
6	3669573M2		1	1	PLATE
			T-A 0:75		
7	339123X1		M8X20	4	SCREW
8	391001X1		M10X25	4	STUD
9	339374X1			9	WASHER
10	390972X1			8	LOCK & SEA
11	4205698M92	!	17	1	SURROUND
			T-A 0:25		
12	339169X1	●	394367X1 (4)	4	NUT
13	3676752M2			1	NAMEPLATE
14	3665878M1			4	RIVET
15	3683364M1			999	GASKET
16	3673349M1	!	1	1	GUIDE
		▶	T-A 0:75		

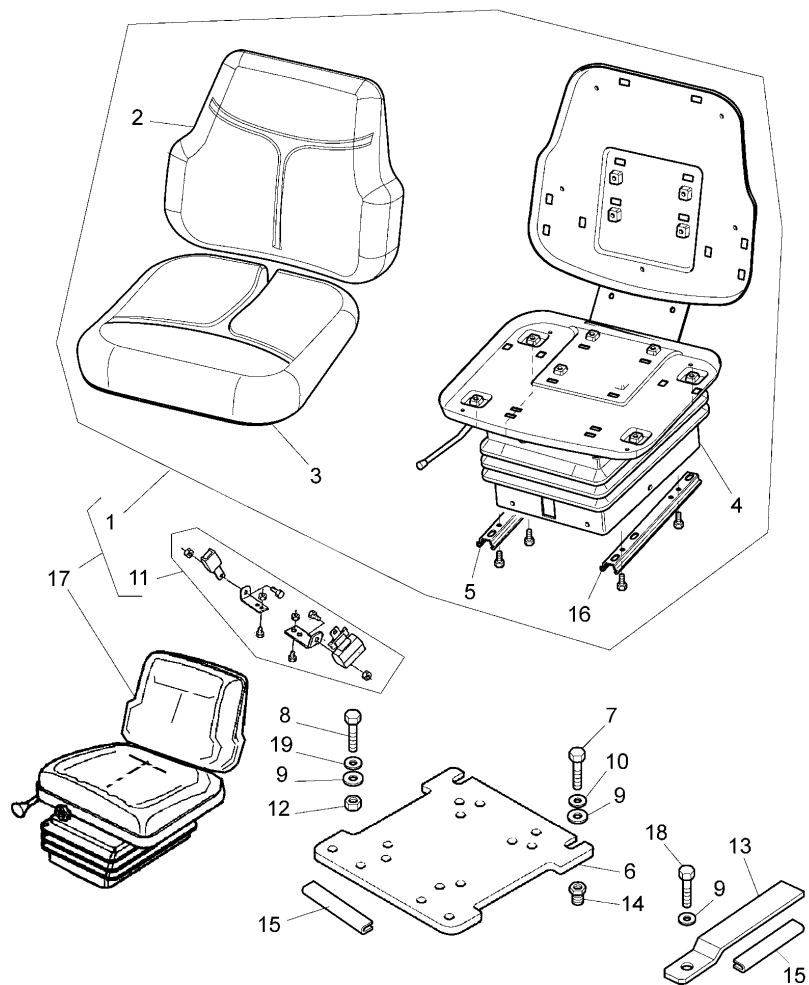
TRACTOR CAB

U-47  
18

DRIVER SEAT "MT" WITH MECHANICS SUSPENSION

Rex Tier 2 fp/cab  
desp. 80 F/GE

U4718



- |     |                                    |       |   |        |
|-----|------------------------------------|-------|---|--------|
| 17  | 3685039M91                         |       | 1 | SEAT   |
| 18  | 339228X1                           | M8X12 | 1 | SCREW  |
| 19  | 1440921X1                          |       | 4 | WASHER |
| !   | THIS IS A COMPONENT OF AN ASSEMBLY |       |   |        |
| 👁   | SEE PAGE - REFERENCE NUMBER        |       |   |        |
| A   | GRAY                               |       |   |        |
| B   | SEAT WITH IMITATION LEATHER        |       |   |        |
| ◀   | LEFT HAND                          |       |   |        |
| ▶   | RIGHT HAND                         |       |   |        |
| T-A | Replacement                        |       |   |        |

TRACTOR CAB

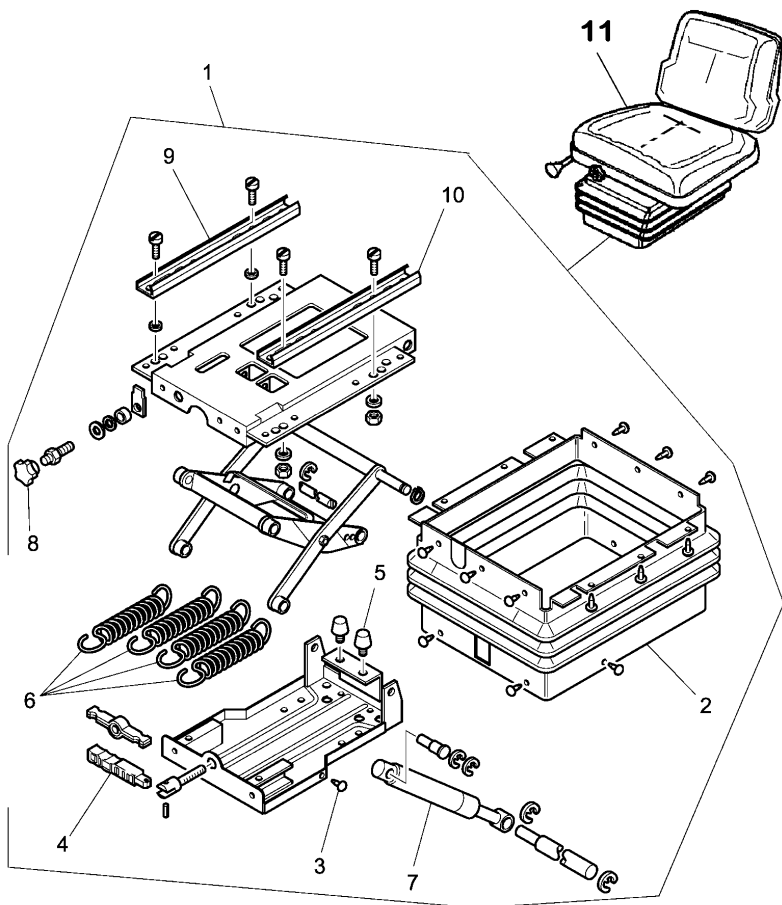
**U-47**  
**19**

DRIVER SEAT "MT" WITH MECHANICS SUSPENSION

Rex Tier 2 fp/cab  
desp. 80 F/GE



U4719



1	3541697M91	!	A	11	1	SUSPENSION
				T-A 0:50		
2	3540888M1	!		1	1	BELLOWS
				T-A 1:0		
3	3654720M1	!		1	18	RIVET
4	3658005M1	!		1	1	LEVER
				T-A 0:25		
5	3675792M1	!		1	2	KNOB
6	3540889M1	!		1	4	SPRING
				(X) 0.1.3.5		
				T-A 0:75		
7	3540270M1	!		1	1	DAMPER
				T-A 0:75		
8	3658006M91	!		1	1	HANDLE
				T-A 0:25		
9	3654719M1	!		1	1	GUIDE
				T-A 0:75		
10	3654721M1	!		1	1	GUIDE
				T-A 0:75		
11		⊕	U-47 18 17		1	SEAT
!	THIS IS A COMPONENT OF AN ASSEMBLY					
⊕	SEE PAGE - REFERENCE NUMBER					
A	SEAT WITH IMITATION LEATHER					
◀	LEFT HAND					
▶	RIGHT HAND					
T-A	Replacement					
(X)	QTY PER TRACTORS SOLD (AA.BBB.CCC.DDD) (AA) FOR 1,(BBB) 2-10 (CCC) 11-25 (DDD) 26-50					

TRACTOR CAB

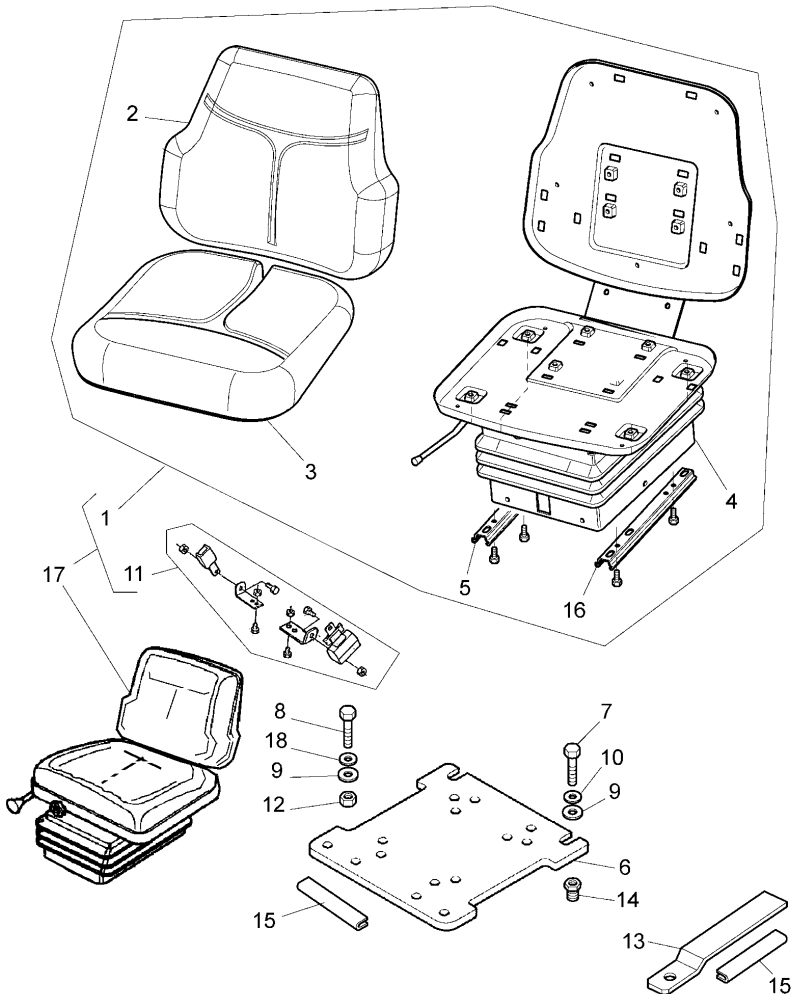
U-47  
20

DRIVER SEAT "MT" WITH MECHANICS SUSPENSION

Rex Tier 2 fp/cab  
desp. 80 F/GE



U4720



1	3676080M91	!	17	1	SEAT
			A		
			B		
			T-A 0:50		
2	3673309M1	!	1	1	BACK REST
3	3673310M1	!	1	1	CUSHION
4		!	1	1	SUSPENSION
			U-47 21 01		
5	3676475M91	!	1	1	SPRING
			T-A 0:50		
6	3669573M2			1	PLATE
			T-A 0:75		
7	339123X1		M8X20	4	SCREW
8	391001X1		M10X25	4	STUD
9	339374X1			8	WASHER
10	390972X1			4	LOCK & SEA
11	4205698M92	!	17	1	SURROUND
			T-A 0:25		
12	339169X1	●	394367X1 (4)	4	NUT
13	3676752M2			1	NAMEPLATE
14	3665878M1			4	INSERT
15	3683364M1			999	GASKET
16	3673349M1	!	1	1	GUIDE
			T-A 0:75		
17	3685040M91			1	SEAT
18	1440921X1			4	WASHER

TRACTOR CAB

U-47  
20

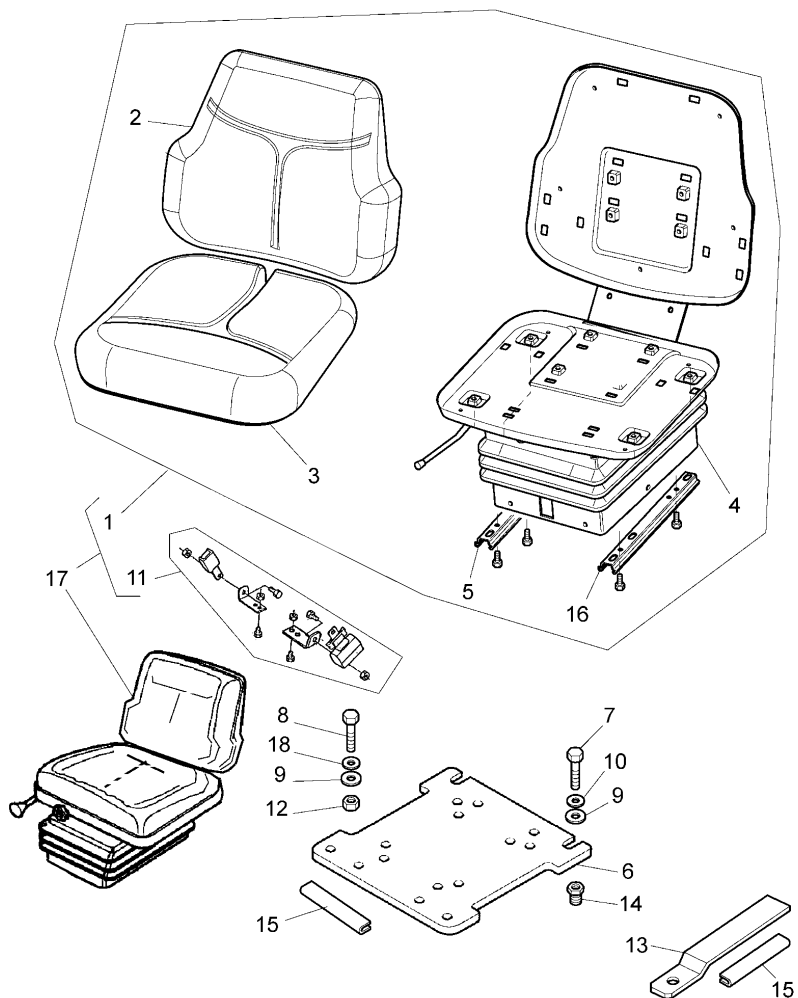
DRIVER SEAT "MT" WITH MECHANICS SUSPENSION

Rex Tier 2 fp/cab  
desp. 80 F/GE



U4720

- ! THIS IS A COMPONENT OF AN ASSEMBLY
- SEE PAGE - REFERENCE NUMBER
- A CLOTH SEAT
- B VERSION "F"
- ◀ LEFT HAND
- ▶ RIGHT HAND
- T-A Replacement



TRACTOR CAB

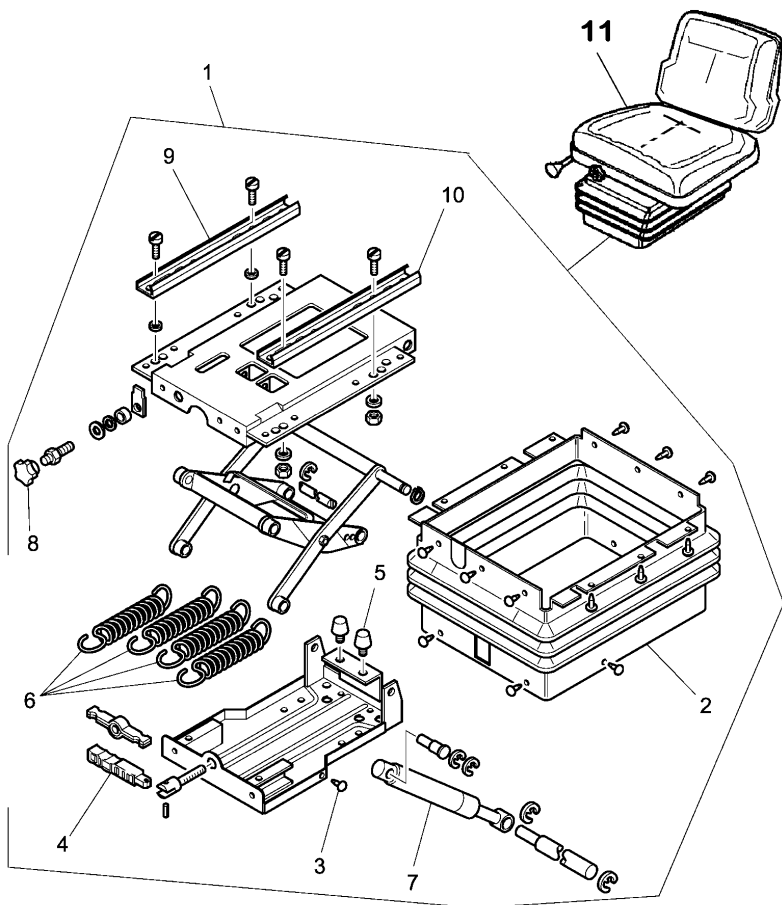
U-47  
21

DRIVER SEAT "MT" WITH MECHANICS SUSPENSION

Rex Tier 2 fp/cab  
desp. 80 F/GE



U4721

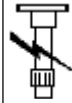


		A		
		B		
1	3541697M91 !	11	1	SUSPENSION
		T-A 0:50		
2	3540888M1 !	1	1	BELLOWS
		T-A 1:0		
3	3654720M1 !	1	18	RIVET
4	3658005M1 !	1	1	LEVER
		T-A 0:25		
5	3675792M1 !	1	2	KNOB
6	3540889M1 !	1	4	SPRING
		(X) 0.1.3.5		
		T-A 0:75		
7	3540270M1 !	1	1	DAMPER
		T-A 0:75		
8	3658006M91 !	1	1	HANDLE
		T-A 0:25		
9	3654719M1 !	1	1	GUIDE
		▶		
		T-A 0:75		
10	3654721M1 !	1	1	GUIDE
		◀		
		T-A 0:75		
11	◊ U-47 20 17		1	SEAT
!	THIS IS A COMPONENT OF AN ASSEMBLY			
◊	SEE PAGE - REFERENCE NUMBER			
A	CLOTH SEAT			
B	VERSION "F"			
◀	LEFT HAND			
▶	RIGHT HAND			
T-A	Replacement			
(X)	QTY PER TRACTORS SOLD (AA.BBB.CCC.DDD) (AA) FOR 1,(BBB) 2-10 (CCC) 11-25 (DDD) 26-50			

ACCESSORIES MECHANICAL

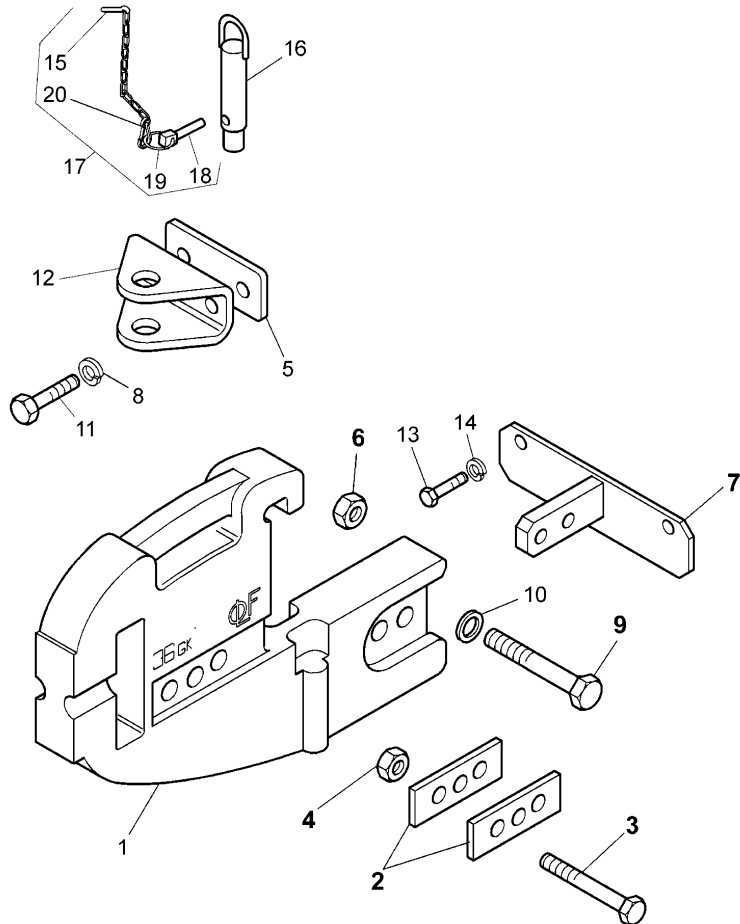
**X-48  
01**

WEIGHT FRAME AND WEIGHTS - FRONT HOOK



X4801

Rex Tier 2 fp/cab  
desp. 80 F/GE



1	3677256M1	A	4	BALLAST WE
1	3677256M1	B	6	BALLAST WE
2	3660400M1		2	PLATE
3	339616X1	T-A 0:25	1	BOLT
4	392368X1	M16X120	1	NUT
5	3680999M1	C	1	PLATE
6	339034X1		2	NUT
7	3682637M91		1	STIRRUP
8	1440317X1	C	2	WASHER
9	1441804X1	B	2	SCREW
9	391327X1	M16X200	2	SCREW
10	1441664X1	A	2	WASHER
11	3010937X1	M16X145	2	SCREW
12	4204529M2	C	1	HOOK
13	391120X1	4204529M3 (1)	2	SCREW
14	391414X1	C	2	LOCK WASHER
15	354074X1	! 17	1	RETAINER
16	1426023M91		1	PIN
17	1699608M91	T-A 0:25	1	KIT
18	1699665M1	● N.L.A. (1)	1	LINCH PIN
		! 17		
		! 1426056M91		
19	1699607M1	● 4203653M91 (1)	1	SPRING
		! 17		
20	1699417M1	● 4203653M91 (1)	1	CHAIN
		! 17		
		● 4203653M91		
		! 646027M1		

ACCESSORIES MECHANICAL

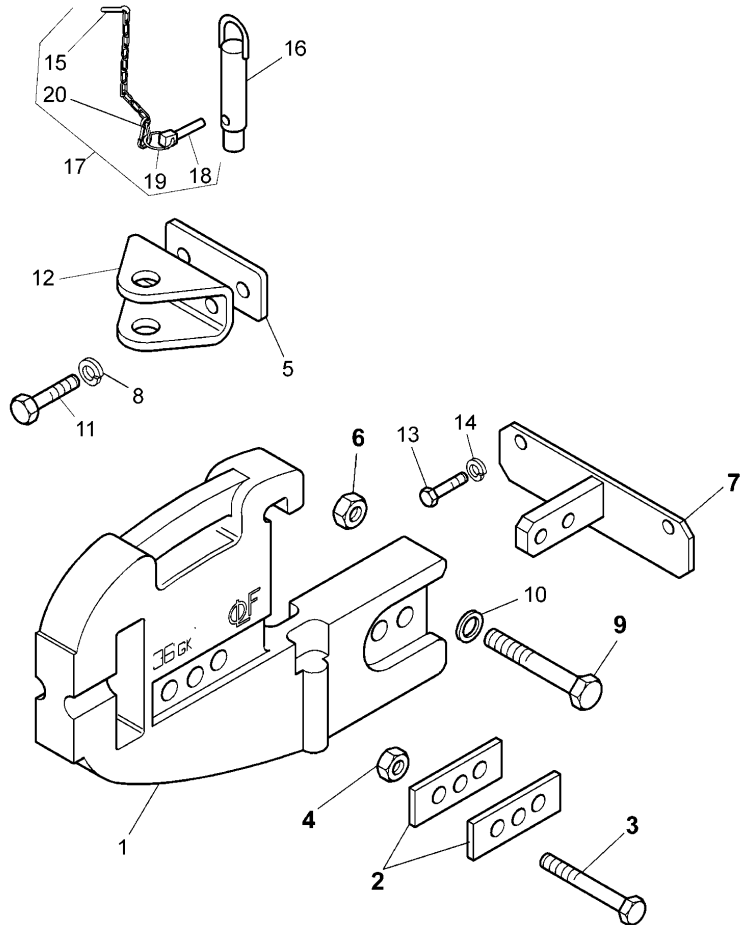
**X-48  
01**

WEIGHT FRAME AND WEIGHTS - FRONT HOOK

Rex Tier 2 fp/cab  
desp. 80 F/GE



X4801



- ! THIS IS A COMPONENT OF AN ASSEMBLY
- REPAIRS AND REPLACES
- └ ALTERNATIVE
- A WITH 4 WEIGHTS
- B WITH 6 WEIGHTS
- C COMPULSORY FOR EEC MEMBERS
- T-A Replacement



ACCESSORIES MECHANICAL

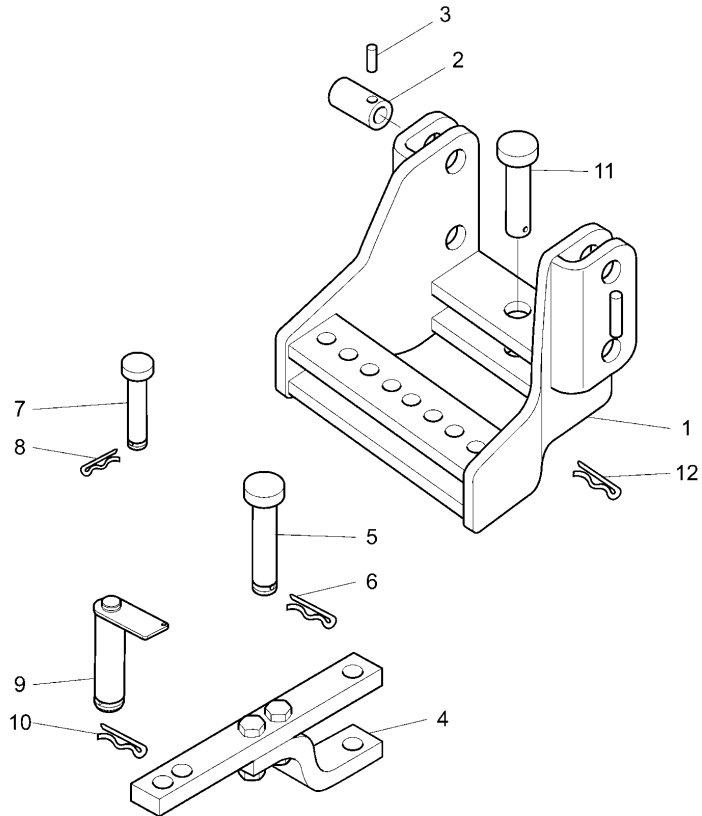
**X-48  
02**

DRAWBAR "CUNA" CAT."A"



X4802

Rex Tier 2 fp/cab  
desp. 80 F/GE

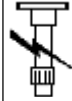


1	3668296M92		1	SUPPORT
2	3668199M1	T-A 0:50	4	PIN
3	3667735M1	T-A 0:25	4	COTTER
4	3559585M91		1	BAR
5	3556729M1	T-A 0:25	1	PIN
6	1433140M1	T-A 0:25	1	CLIP
7	3530803M1		2	DOWEL
8	1433140M1	T-A 0:25	2	STOP
9	3667732M91		1	PIN
10	1433140M1	T-A 0:25	1	PIN
11	3300157M91		1	PIN
12	1433140M1	T-A 0:25	1	PIN
T-A	Replacement			

ACCESSORIES MECHANICAL

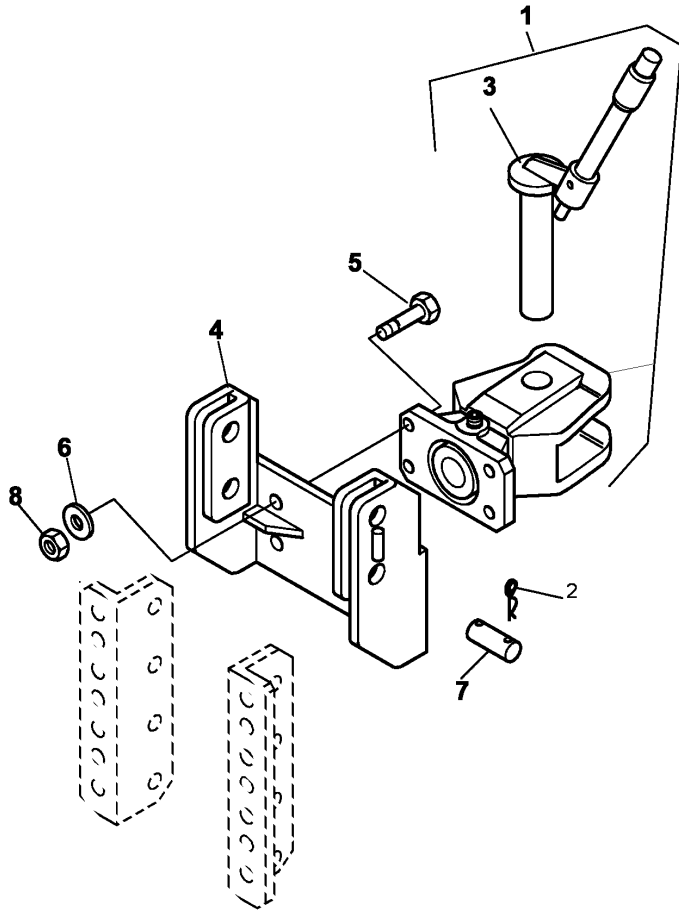
**X-48  
03**

HOOK PULL - REAR



X4803

Rex Tier 2 fp/cab  
desp. 80 F/GE

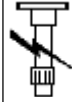


		A		
1	3671356M91	⚙	3689254M91	1 HOOK
			"CBM"	
1	3689254M91	⚙	3671356M91 (1)	1 HOOK
			3671356M91	
			"MR"	
2	3667735M1		4 DOWEL	
3	3680114M1	!	1	1 PIN
			"CBM"	
3	3693448M91	!	1	1 PIN
			"MR"	
4	3673673M91		1 STIRRUP	
			T-A 0:50	
5	3015471X1		M14X60	4 SCREW
6	390973X1			4 WASHER
7	3668199M1			4 PIN
			T-A 0:25	
8	3010349X1			4 NUT
!	THIS IS A COMPONENT OF AN ASSEMBLY			
⚙	ALTERNATIVE			
A	HOOK "CEE" NO AUTOMATIC			
T-A	Replacement			

ACCESSORIES MECHANICAL

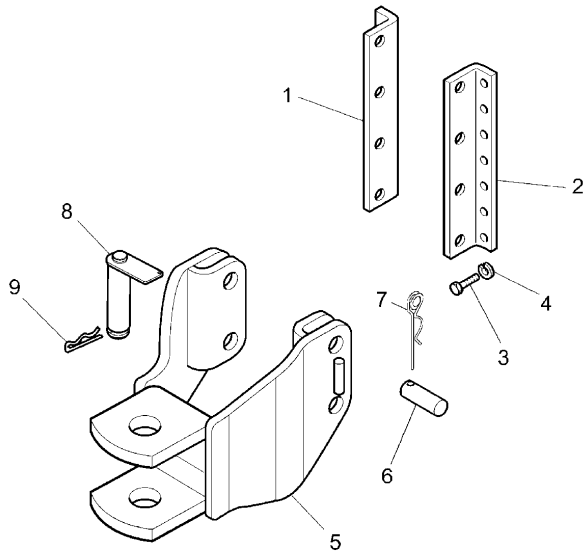
**X-48  
04**

REAR HOOK PULL



X4804

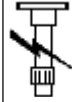
Rex Tier 2 fp/cab  
desp. 80 F/GE



- |     |            |   |                |    |             |
|-----|------------|---|----------------|----|-------------|
| 1   | 1825505M4  | ▶ |                | 1  | PLATE       |
| 2   | 1825504M4  | ◀ | T-A 0:50       | 1  | PLATE       |
| 3   | 390419X1   |   | T-A 0:50       | 12 | SCREW       |
| 4   | 391414X1   |   | M16X40         | 12 | LOCK WASHER |
| 5   | 3667723M92 |   | A              | 1  | HOOK        |
| 5   | 3667724M93 |   | T-A 0:50       | 1  | HOOK        |
| 6   | 3668199M1  |   | B              | 4  | PIN         |
| 7   | 3667735M1  |   | T-A 0:50       | 4  | DOWEL       |
| 8   | 3667732M91 |   | A              | 1  | PIN         |
| 8   | 3667810M91 |   | T-A 0:25       | 1  | PIN         |
| 9   | 1433140M1  |   | B              | 1  | CLIP        |
| 9   | 3547586M1  |   | T-A 0:25       | 1  | CLIP        |
| A   |            |   | HOOK TYP "C"   |    |             |
| B   |            |   | HOOK TYPE "D2" |    |             |
| ◀   |            |   | LEFT HAND      |    |             |
| ▶   |            |   | RIGHT HAND     |    |             |
| T-A |            |   | Replacement    |    |             |

ACCESSORIES MECHANICAL

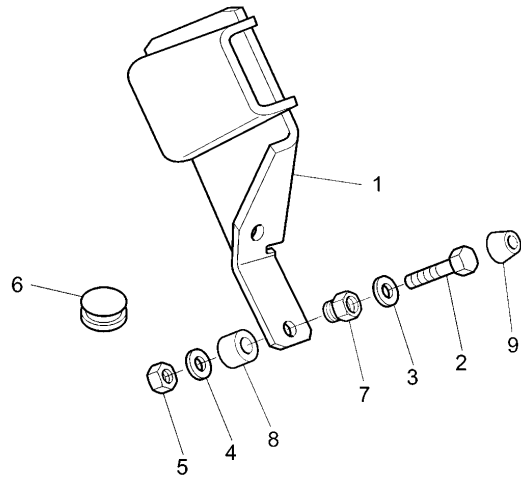
**X-48  
05**



X4805

Rex Tier 2 fp/cab  
desp. 80 F/GE

SUPPORT LEVER WITH TRAILOR BRAKING

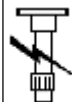


	A		
1	3673570M91	B	1 SUPPORT
		T-A 0:25	
1	3676801M92	C	1 SUPPORT
2	3008483X1	C	1 STUD
		M10X35	
2	339401X1	B	2 SCREW
		M10X25	
2	339814X1	C	1 STUD
		M10X35	
3	390734X1		2 WASHER
4	1440314X1		2 LOCK & SEA
5	3009693X1	● 339402X1 (1)	1 NUT
		C	
6	3548446M1	D	2 PLUG
6	3647146M1	B	2 PLUG
		D	
7	3666963M1		2 THIMBLE
8	1425415M2	C	2 SPACER
9	3543102M1		2 PLUG
A	FOR ITALY/CEE MARKET ONLY		
B	WITH PLATFORM		
C	WITH CAB		
D	WHITOUT TRAILER BRAKE SUPPORT		
T-A	Replacement		

ACCESSORIES MECHANICAL

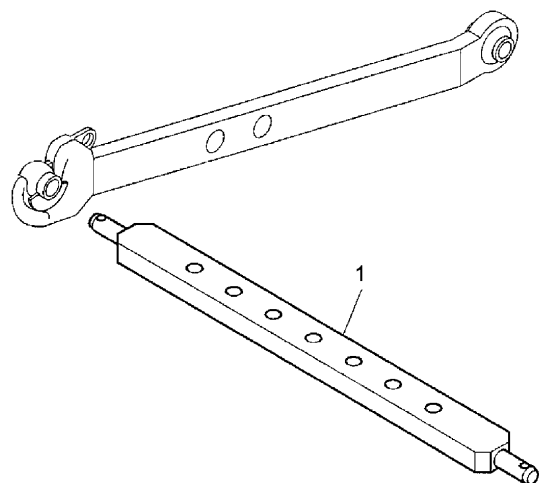
**X-48  
06**

TRAVERSE DRAWBAR



X4806

Rex Tier 2 fp/cab  
desp. 80 F/GE

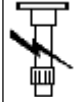


1 3308242M1 A 1 BAR  
T-A 0:25  
A CATEGORY "I"  
T-A Replacement

ACCESSORIES MECHANICAL

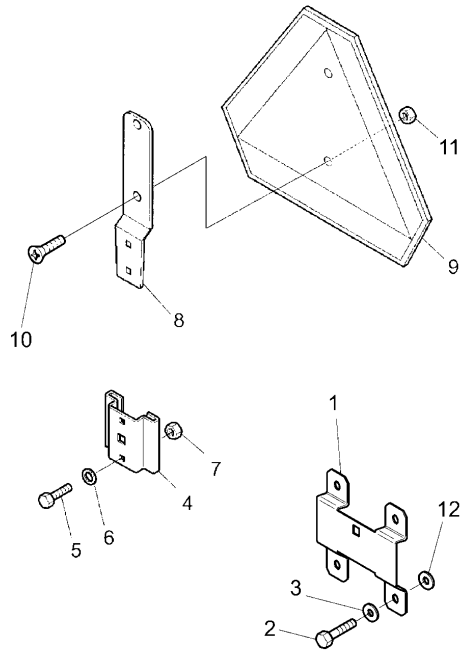
**X-48  
07**

WARNING BEACON - TRIANGLE AND LICENCE PLATE



X4807

Rex Tier 2 fp/cab  
desp. 80 F/GE

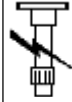


- |    |            |                  |   |            |
|----|------------|------------------|---|------------|
| 1  | 3679817M1  | A                | 1 | PLATE      |
| 2  | 391894X1   | T-A 0:25         | 4 | SCREW      |
| 3  | 390971X1   | M6X14            | 4 | WASHER     |
| 4  | 3539074M1  | Ø 6              | 1 | SUPPORT    |
| 5  | 339247X1   | M8X16            | 1 | SCREW      |
| 6  | 390972X1   | Ø 8              | 1 | WASHER     |
| 7  | 339169X1   | ● 394367X1 (1)   | 1 | NUT        |
| 8  | 3559562M1  |                  | 1 | STIRRUP    |
| 9  | 3559561M91 | ● 3559561M93 (1) | 1 | TRIANGLE   |
| 10 | 3007932X1  | M5X12            | 2 | SCREW      |
| 11 | 390995X1   |                  | 2 | NUT        |
| 12 | 339375X1   |                  | 4 | LOCK WASHE |

A FOR MARKET "N.A.O."  
Ø DIAMETER  
T-A Replacement

ACCESSORIES MECHANICAL

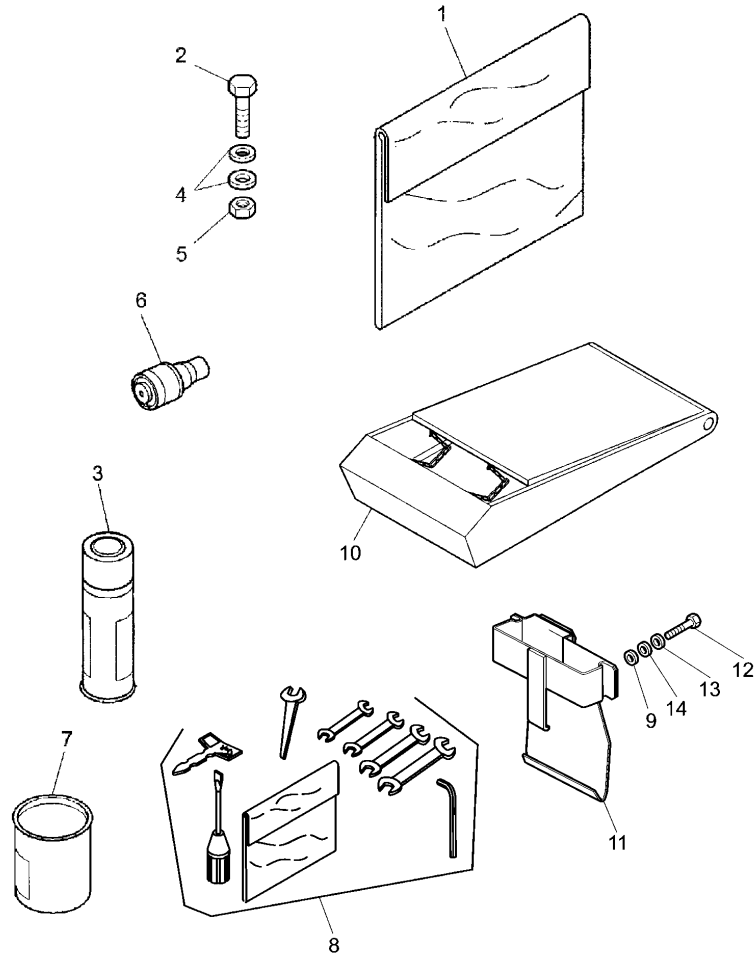
**X-48  
08**



X4808

Rex Tier 2 fp/cab  
desp. 80 F/GE

TOOL KIT - FITTINGS



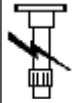
1	3559618M94	D	1	BAG
2	3001163X1	D	2	SCREW
		M5X16		
3	3541989M1	A	1	SPRAY
		0,4 l		
3	3541990M1	E	1	SPRAY
		0,4 l		
3	3675805M1	F	1	SPRAY
		0,4 l		
4	3019560X1	D	4	LOCK WASHE
5	390995X1	D	2	NUT
6	3554658M91	B	1	HITCH
7	3541371M1	A	1	PAINT
		1 Kg		
7	3648630M1	E	1	PAINT
		1 Kg		
7	3650796M1	F	1	PAINT
		1 Kg		
8	3536612M91	I-I	1	KIT
8	3536613M91	I-I	1	KIT
9	391039X1	C	2	WASHER
10	3547846M91		1	CLEAT
11	3673612M91	C	1	SUPPORT
12	339123X1	C	2	SCREW
		M8X20		
13	390972X1	C	2	WASHER
14	339374X1		2	LOCK & SEA

ACCESSORIES MECHANICAL

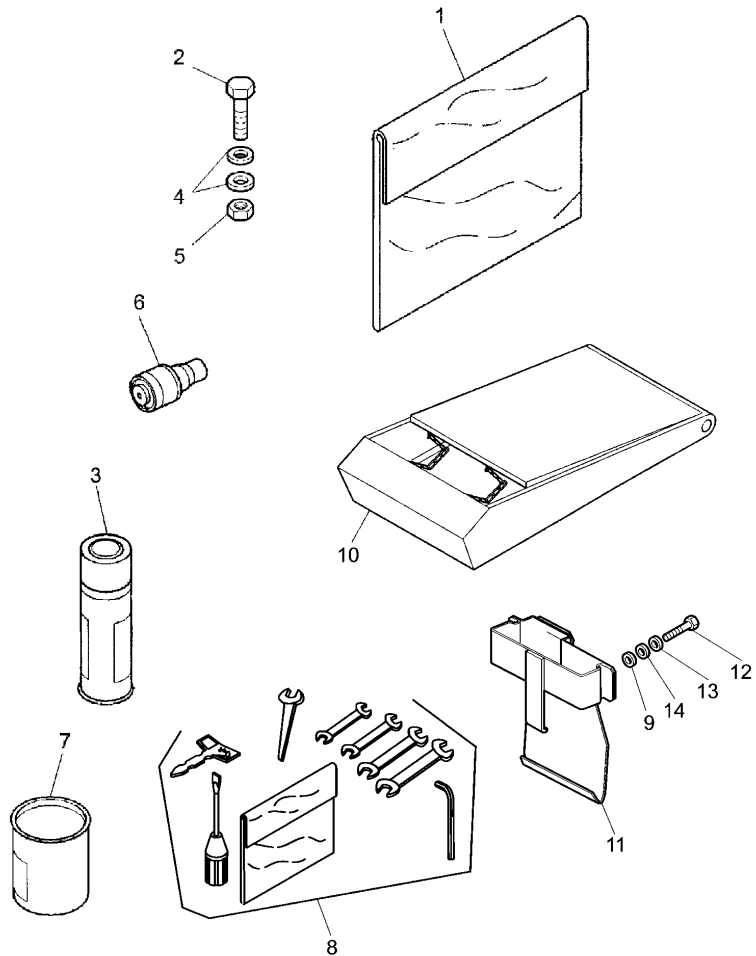
**X-48  
08**


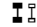
TOOL KIT - FITTINGS

Rex Tier 2 fp/cab  
desp. 80 F/GE



X4808

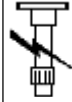


- A LANDINI BLUE
- B WITH HYDRAULIQUE TRAILER BREAKING SYSTEM
-  4 WHEEL DRIVE
- C WITH PLATFORM
-  2 WHEEL DRIVE
- D MANDATORY FOR AMERICA NORTH
- E SLATE BLACK
- F ALUMINIUM GREY



ACCESSORIES AND APPLICATION MISCELLANEOUS

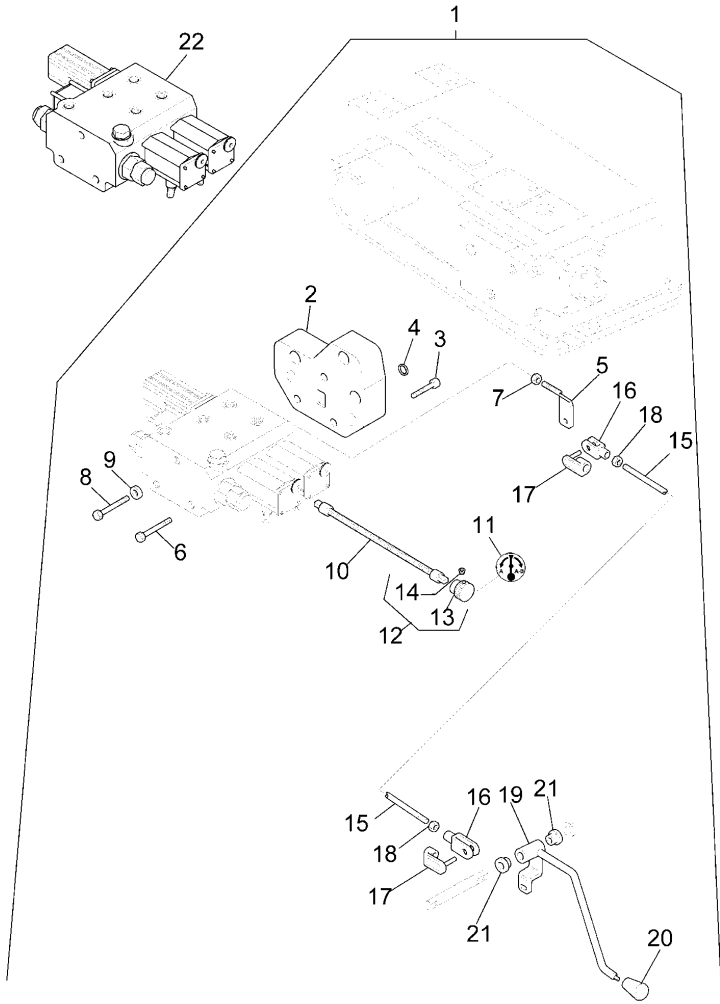
**Z-36  
15**



Z3615

Rex Tier 2 fp/cab  
desp. 80 F/GE

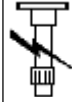
AUXILIARY DISTRIBUTOR KIT - 2nd DISTRIBUTOR



1	4213708M91	●	4213708M92 (1)	1	KIT
2	3689913M1			1	PLATE
3	390796X1	◀▶	M8X25MM	3	SCREW
4	3673774M1			2	RING
5	3671851M92			1	LEVER
6	3693872X1	◀▶	M8X175MM	3	SCREW
7	339402X1			1	NUT
8	3015233X1	◀▶	M8X135MM	3	SCREW
9	1440314X1			3	LOCK WASHE
10	3538009M91			1	CABLE
11	3550897M1			1	DECAL
12	3532741M91			1	KNOB
13	3532740M1	●	3532741M91 (1)	1	KNOB
		!	12		
14	3009329X1	!	12	1	SCREW
15	3670023M1			1	TIE ROD
16	392463X1			2	YOKE
17	3307701M91			2	RETAINER
18	1441500X1			2	NUT
19	3670018M91			1	LEVER
20	3304484M1	D		1	KNOB
21	3546868M1			2	BUSH
22	3689904M92	C		1	DISTRIBUTO
		E			
		F			
22	3693017M92	C		1	DISTRIBUTO
		E			
		G			
22	3693018M92	●	3693018M93 (1)	1	DISTRIBUTO
		C			
		F			
		G			

ACCESSORIES AND APPLICATION MISCELLANEOUS

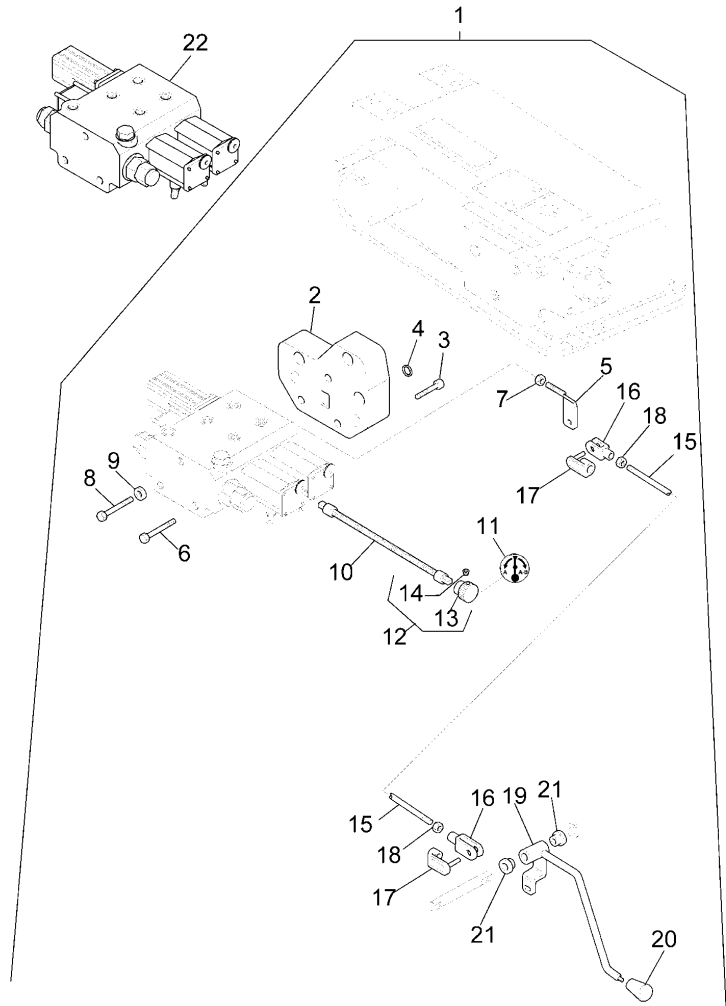
**Z-36  
15**



Z3615

Rex Tier 2 fp/cab  
desp. 80 F/GE

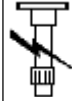
AUXILIARY DISTRIBUTOR KIT - 2nd DISTRIBUTOR



- ! THIS IS A COMPONENT OF AN ASSEMBLY
- A FOR MODEL RP 52
- B WITH MECANICS RISER
- C DISTRIBUTORS NOT INCLUDED INTO THE KIT - TO BE ORDERED SEPARATELY
- D BLACK
- E FLOATING
- F STANDARD
- G AUXILIARY DISTRIBUTOR KICK-OUT
- ◀ LENGTH

ACCESSORIES AND APPLICATION MISCELLANEOUS

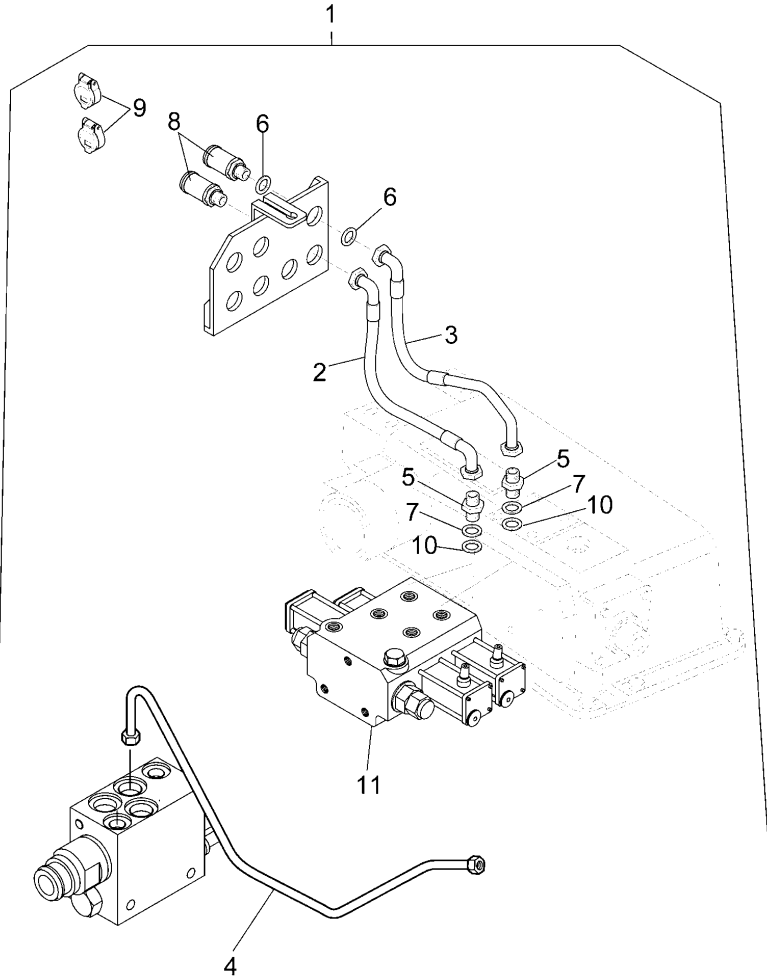
**Z-36  
151**



Z36151

Rex Tier 2 fp/cab  
desp. 80 F/GE

AUXILIARY DISTRIBUTOR KIT - 2nd DISTRIBUTOR



1	4213708M91	●	4213708M92 (1)	1	KIT
		◊	Z-36 15 1		
			N		
2	3692822M91		D	1	PIPE
3	3692823M92		D	1	PIPE
4	3693486M91			1	PIPE
5	3537773M92			2	UNION
6	3015132X1			8	SNAPRING
7	3015163X1			2	O RING
8	3674306M91			2	HITCH
9	3530933M92			2	PLUG
10	1425358M2			2	WASHER
11		◊	Z-36 15 22	1	DISTRIBUTOR



SEE PAGE - REFERENCE NUMBER

A

FOR MODEL RP 52

B

WITH MECANICS RISER

C

DISTRIBUTORS NOT INCLUDED INTO THE KIT - TO BE ORDERED SEPARATELY

D

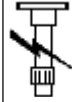
DISCHARGE TO AUXILIARY HYDRAULICS VALVE

N

IT CONTINUES FROM THE PREVIOUS PAGE

ACCESSORIES AND APPLICATION MISCELLANEOUS

**Z-36  
20**

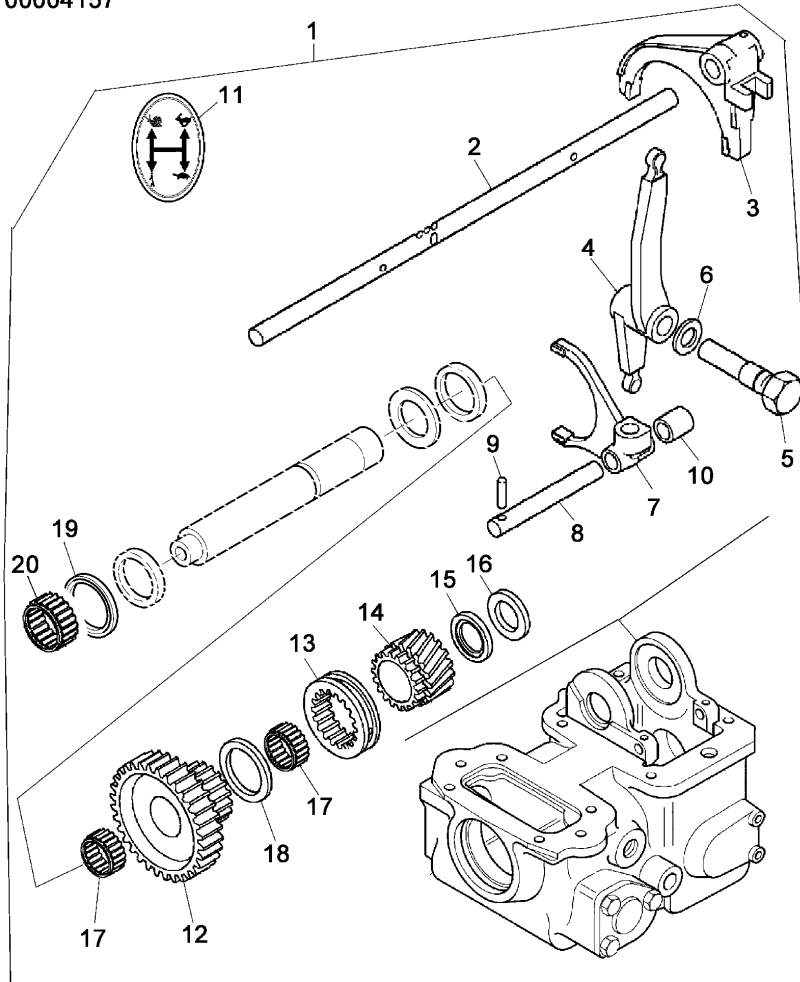


Z3620

Rex Tier 2 fp/cab  
desp. 80 F/GE

GEARBOX KIT - CREEPER - CONTROL

00004157



- |     |            |                          |   |          |
|-----|------------|--------------------------|---|----------|
| 1   | 4217063M91 |                          | 1 | KIT      |
| 2   | 3664106M1  |                          | 1 | ROD      |
| 3   | 3664105M2  |                          | 1 | YOKE     |
| 4   | 3664107M1  |                          | 1 | LEVER    |
| 5   | 3664127M1  | ● T-A 1:75 3664127M2 (1) | 1 | PIN      |
| 6   | 1440784X1  | T-A 1:75                 | 1 | WASHER   |
| 7   | 3664115M1  |                          | 1 | YOKE     |
| 8   | 3664116M1  | T-A 2:50                 | 1 | ROD      |
| 9   | 1442387X1  | T-A 2:50                 | 1 | DOWEL    |
| 10  | 3671804M1  |                          | 1 | SPACER   |
| 11  | 3675458M1  | T-A 2:50                 | 1 | DECAL    |
| 12  | 3664113M1  |                          | 1 | GEAR     |
| 13  | 3664114M1  |                          | 1 | MANICOTT |
| 14  | 3664131M1  |                          | 1 | GEAR     |
| 15  | 3552294M91 |                          | 1 | CAGE     |
| 16  | 3662039M1  |                          | 1 | WASHER   |
| 17  | 3015559X1  |                          | 2 | CAGE     |
| 18  | 3658832M3  |                          | 1 | WASHER   |
| 19  | 3662002M1  |                          | 1 | WASHER   |
| 20  | 3662001M91 |                          | 1 | CAGE     |
| A   |            | FOR MODEL GE             |   |          |
| T-A |            | Replacement              |   |          |

ACCESSORIES AND APPLICATION MISCELLANEOUS

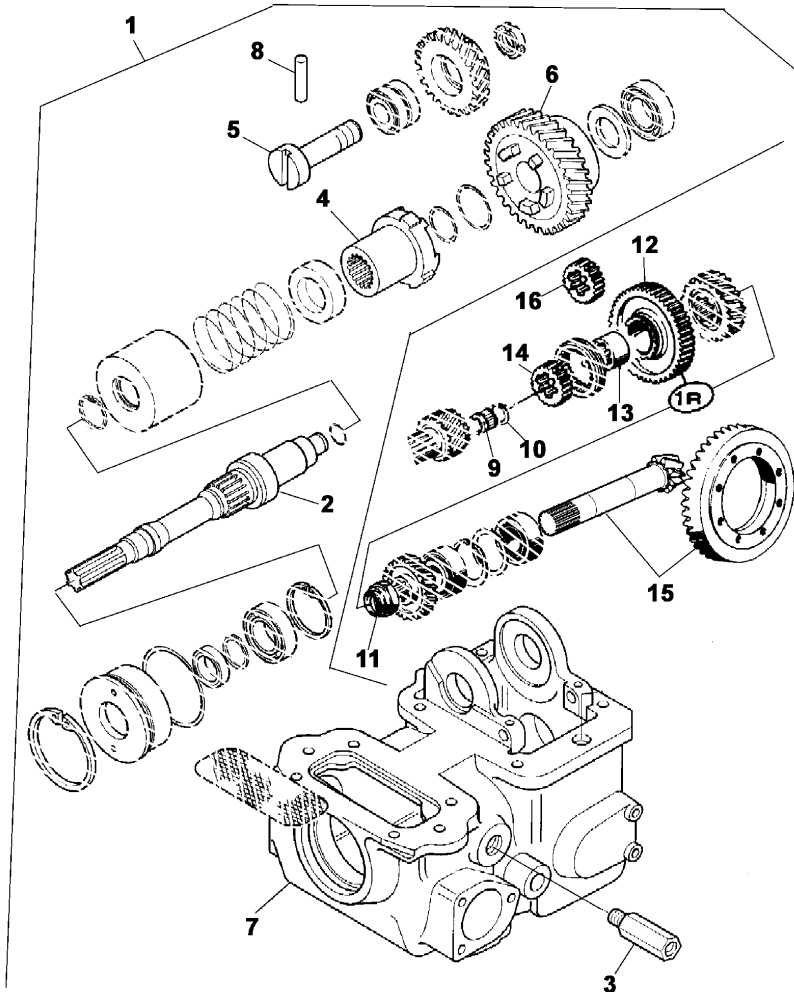
**Z-36  
201**



Z36201

Rex Tier 2 fp/cab  
desp. 80 F/GE

GEARBOX KIT - CREEPER - CONTROL



1	4217063M91	⊕ Z-36 03 1	1	KIT
2	3682625M4		1	SHAFT
3	3672715M1		1	PROP
4	3688667M3		1	SLEEVE
5	3673575M1	T-A 4:0	1	PIN
6	3688793M1	T-A 4:0	1	GEAR
7	3689216M3		1	BOX
8	339414X1		1	PIN
9	3015558X1		1	CAGE
10	3019352X1		1	RING
11	3661782M1		1	NUT
12	3666323M2	● 3666323M4 (1)	1	GEAR
13	3658813M1		1	SPACER
13	3658826M1		1	SPACER
14	3658828M1		1	HUB
15	3671689M92		1	KIT
16	3664104M1		1	HUB

⊕ SEE PAGE - REFERENCE NUMBER  
 A FOR MODEL GE  
 C IT CONTINUES FROM THE PREVIOUS PAGE  
 T-A Replacement

NUMERICAL INDEX  
INDICE NUMERICO

INDEX NUMERIQUE  
NUMERISCHES ATZTEILVERZEICHNIS  
INDICE NUMERICO

M 1

0350025	A-05 02	4	1423473M94	E-04 02	88	1423750M91	J-09 01	183	-	S-22 03	288	1427369M1	G-40 05	160
0500012	A-05 03	6	1423482M1	E-04 14	117	1423758M1	J-09 01	184	1426070M1	P-42 19	249	1427476M1	E-04 12	110
-	A-05 06	14	-	G-40 08	166	1424346M1	D-00 13	78	1426265M93	G-40 14	180	1433140M1	X-48 02	332
0576052	A-05 05	11	1423570M96	G-40 01	151	1424859M1	G-40 07	164	-	G-40 15	181	-	X-48 02	332
-	A-05 05	11	1423573M1	G-40 01	149	1424868M1	G-40 07	164	-	J-09 04	193	-	X-48 02	332
0650588	A-05 02	3	-	G-40 01	149	1425214M1	C-32 10	49	1426267M92	P-42 06	227	-	X-48 02	332
-	A-05 04	8	1423574M2	G-40 01	149	1425277M1	G-40 02	152	1426483M1	P-42 16	242	-	X-48 04	334
0650594	A-05 02	4	1423575M2	G-40 01	149	1425326M1	P-42 16	243	1426515M1	E-04 27	142	1433401M1	J-09 03	190
0650710	A-05 02	3	1423576M2	G-40 01	149	1425358M2	Z-36 151	342	1426901M92	D-00 12	75	1440012X1	E-04 14	117
0920002	A-05 04	10	1423579M2	G-40 01	149	1425359M1	P-42 16	243	1427000M1	G-40 07	165	-	E-04 14	118
1000557M1	P-42 15	238	1423582M92	G-40 01	150	1425368M1	P-42 15	239	-	P-42 12	235	1440041X1	U-47 11	314
-	P-42 15	241	1423609M1	G-40 08	167	1425384M1	P-42 17	244	-	U-47 07	308	1440042X1	C-32 07	42
1000578M1	P-42 15	238	1423630M2	J-09 03	189	1425415M2	D-00 11	73	-	U-47 08	310	1440084X1	D-00 13	79
1001464M1	P-42 07	228	1423631M1	J-09 03	189	-	X-48 05	335	-	U-47 08	311	1440200X1	E-04 14	117
1420037M1	D-00 13	79	1423636M1	J-09 03	189	1425456M1	C-32 05	39	1427356M1	G-40 05	161	-	E-04 20	131
1423470M96	E-04 02	88	1423655M2	J-09 03	190	1425818M1	G-40 04	158	1427357M1	G-40 05	161	-	E-04 20	131
1423471M94	E-04 02	88	1423680M1	E-04 20	130	1426023M91	X-48 01	330	1427364M1	G-40 08	166	-	J-09 03	191
1423472M2	E-04 02	88	1423681M2	E-04 20	130	1426056M91	P-42 07	229	1427365M92	G-40 08	166	1440201X1	J-09 03	189

**NUMERICAL INDEX  
INDICE NUMERICO**

**INDEX NUMERIQUE  
NUMERISCHES ATZTEILVERZEICHNIS  
INDICE NUMERICO**

**M 2**

1440207X1	R-20 03	267	-	C-32 11	52	-	U-47 06	307	1440474X1	P-42 18	247	1440693X1	E-04 14	117
-	R-20 11	281	-	D-00 12	75	-	U-47 11	314	1440476X1	J-09 17	217	1440696X1	P-42 16	242
1440213X1	C-32 11	51	-	D-00 14	80	-	X-48 05	335	1440477X1	E-04 19	126	1440700X1	E-04 22	134
1440231X1	J-09 02	185	-	E-04 24	137	-	Z-36 15	340	1440479X1	E-04 19	126	1440702X1	G-40 03	155
1440252X1	J-09 03	190	-	G-40 04	158	1440315X1	E-04 24	137	1440494X1	E-04 19	126	1440704X1	E-04 14	117
1440273X1	P-42 10	233	-	G-40 07	164	-	J-09 03	191	1440511X1	E-04 06	96	-	E-04 22	134
1440276X1	C-32 09	47	-	G-40 07	165	-	J-09 03	191	-	E-04 06	96	1440717X1	G-40 03	154
1440277X1	G-40 02	152	-	G-40 09	169	1440316X1	J-09 03	189	-	E-04 30	147	1440725X1	G-40 11	176
1440284X1	G-40 11	175	-	J-09 18	218	1440317X1	E-04 02	89	1440522X1	E-04 03	92	-	J-09 02	185
1440287X1	G-40 08	166	-	J-09 18	219	-	J-09 03	191	-	P-42 10	232	1440760X1	S-22 04	290
1440308X1	E-04 12	110	-	J-09 18	219	-	J-09 05	195	-	P-42 17	244	1440784X1	E-04 14	118
1440311X1	S-22 03	289	-	P-42 01	220	-	X-48 01	330	-	P-42 17	244	-	E-04 29	145
-	U-47 08	311	-	P-42 26	256	1440329X1	C-32 09	47	1440523X1	E-04 26	141	-	Z-36 20	343
1440312X1	D-00 04	63	-	R-20 01	263	-	G-40 08	166	1440524X1	J-09 13	209	1440827X1	D-00 15	82
1440314X1	A-05 16	32	-	R-20 04	269	-	J-09 18	219	1440559X1	E-04 20	130	1440838X1	P-42 07	229
-	C-32 02	36	-	R-20 10	280	-	R-20 03	267	1440562X1	E-04 07	99	-	P-42 19	248
-	C-32 03	37	-	S-22 03	288	-	U-47 05	306	1440640X1	E-04 07	101	1440853X1	C-32 09	46
-	C-32 09	47	-	S-22 04	290	1440349X1	A-05 11	26	1440688X1	E-04 22	134	1440921X1	S-22 07	294

NUMERICAL INDEX  
INDICE NUMERICO

INDEX NUMERIQUE  
NUMERISCHES ATZTEILVERZEICHNIS  
INDICE NUMERICO

M

3

-	U-47 18	325	-	E-04 22	134	-	P-42 14	237	1441815X1	G-40 03	154	1442088X1	D-00 04	63
-	U-47 20	327	1441461X1	C-32 02	36	1441664X1	U-47 12	315	1441914X1	C-32 05	40	1442172X1	D-00 07	67
1440922X1	G-40 09	168	1441494X1	D-00 12	75	-	X-48 01	330	-	G-40 09	170	1442211X1	E-04 19	128
1440965X1	J-09 13	210	-	D-00 13	78	1441699X1	E-04 25	138	-	P-42 01	221	1442232X1	E-04 25	138
1441000X1	P-42 15	238	-	S-22 05	291	1441723X1	C-32 12	53	-	R-20 111	283	-	P-42 01	220
1441067X1	G-40 14	180	-	U-47 08	311	-	C-32 13	55	-	R-20 111	283	1442381X1	E-04 02	88
-	G-40 15	181	-	U-47 13	318	1441734X1	P-42 18	246	1441923X1	E-04 12	110	1442387X1	E-04 29	145
-	P-42 05	226	1441495X1	P-42 16	243	1441736X1	E-04 15	119	-	G-40 08	166	-	P-42 16	242
1441109X1	E-04 23	136	1441500X1	D-00 10	72	-	E-04 22	134	1441924X1	E-04 07	101	-	Z-36 20	343
1441119X1	C-32 09	46	-	E-04 17	123	-	E-04 28	143	1441925X1	E-04 07	101	1442416X1	G-40 02	152
1441158X1	G-40 05	160	-	U-47 05	305	-	P-42 18	247	1441932X1	C-32 02	36	1442486X1	P-42 02	222
-	G-40 05	160	-	Z-36 15	340	1441739X1	E-04 15	119	-	E-04 04	93	1442537X1	E-04 20	130
1441176X1	J-09 05	195	1441554X1	J-09 01	183	-	P-42 11	234	1442021X1	D-00 05	65	1442560X1	E-04 19	128
1441206X1	D-00 09	70	1441558X1	P-42 10	232	-	P-42 17	244	-	D-00 15	83	-	E-04 28	144
1441246X1	J-09 15	215	1441566X1	P-42 19	249	1441763X1	P-42 25	255	-	G-40 09	169	1442576X1	E-04 13	112
-	J-09 16	216	-	P-42 22	252	1441772X1	E-04 23	136	-	P-42 01	221	1442692X1	E-04 14	118
1441267X1	P-42 15	238	1441612X1	P-42 15	240	1441804X1	X-48 01	330	-	R-20 01	264	-	E-04 25	139
1441308X1	E-04 07	103	1441630X1	P-42 13	236	1441805X1	E-04 07	103	-	U-47 15	320	-	P-42 08	230



NUMERICAL INDEX  
INDICE NUMERICO

INDEX NUMERIQUE  
NUMERISCHES ATZTEILVERZEICHNIS  
INDICE NUMERICO

M 4

1442697X1	E-04 06	98	-	E-04 10	108	1693983M1	G-40 07	164	1806315M1	J-09 06	198	1819841M1	P-42 16	242
1442710X1	J-09 15	214	-	E-04 11	109	1699417M1	X-48 01	330	-	J-09 08	202	1821234M91	J-09 03	191
1442739X1	G-40 02	152	-	E-04 13	113	1699607M1	X-48 01	330	1806316M1	J-09 06	198	1821699M5	E-04 02	88
-	S-22 03	288	1444744X1	G-40 06	163	1699608M91	X-48 01	330	-	J-09 08	202	1821721M6	E-04 02	88
1442783X1	C-32 13	55	-	G-40 09	168	1699665M1	X-48 01	330	1806317M1	J-09 06	198	1821722M1	E-04 02	88
1442899X1	E-04 14	117	-	G-40 09	169	1748053M1	J-09 15	214	-	J-09 08	202	1821734M1	E-04 04	93
1442956X1	P-42 11	234	-	G-40 14	179	1806303M1	J-09 06	197	1806318M1	J-09 06	198	1822489M1	J-09 03	189
1442962X1	E-04 03	91	-	G-40 15	181	-	J-09 08	201	-	J-09 08	202	1823569M1	J-09 03	191
1442973X1	J-09 15	215	1444745X1	E-04 14	118	1806310M1	J-09 06	197	1806319M1	J-09 06	198	-	J-09 05	195
1442992X1	E-04 16	121	1444746X1	E-04 14	117	-	J-09 08	201	-	J-09 08	202	1823603M91	J-09 11	206
1443524X1	E-04 13	115	152613M1	E-04 19	126	1806311M1	J-09 06	198	1806320M1	J-09 08	202	1823726M1	J-09 01	184
1443559X1	E-04 06	98	1606842M1	J-09 15	214	-	J-09 08	202	1806321M1	J-09 08	202	1823727M91	J-09 01	183
1443615X1	S-22 03	289	1606843M1	J-09 15	214	1806312M1	J-09 06	198	1806416M1	J-09 06	198	1824669M1	E-04 07	101
-	U-47 08	311	1612171M1	S-22 03	288	-	J-09 08	202	-	J-09 08	202	1824670M1	E-04 07	101
1443630X1	E-04 05	95	-	S-22 04	290	1806313M1	J-09 06	198	1810503M92	J-09 06	199	1824671M1	E-04 07	102
1444438X1	C-32 13	55	1693977M1	G-40 07	164	-	J-09 08	202	-	J-09 08	203	1824672M1	E-04 07	102
1444586X1	E-04 08	106	1693979M1	G-40 07	164	1806314M1	J-09 06	197	1815242M1	J-09 15	215	1824690M2	E-04 23	136
-	E-04 09	107	1693980M1	G-40 07	164	-	J-09 08	201	1816639M91	J-09 01	183	1824702M1	E-04 28	144

Landini Rex tier 2 fp/cab 80 f/ge -  
desp. 4207965m1

**NUMERICAL INDEX  
INDICE NUMERICO**

**INDEX NUMERIQUE  
NUMERISCHES ATZTEILVERZEICHNIS  
INDICE NUMERICO**

**M**

**5**

1824745M91	E-04 02	89	1825391M91	P-42 20	250	1889732M1	J-09 06	198	1897433M1	J-09 06	199	2134A609	A-05 04	10
1824795M1	G-40 08	166	1825401M1	P-42 20	250	-	J-09 08	202	-	J-09 08	203	2152A034	A-05 10	22
1825001M3	E-04 20	130	1825403M91	P-42 20	250	1889733M91	J-09 08	202	1897434M1	J-09 06	199	2161A011	A-05 10	22
1825005M4	E-04 20	131	1825417M91	P-42 19	248	1890402M1	J-09 06	198	-	J-09 08	203	-	A-05 10	23
1825013M1	P-42 18	246	1825440M1	P-42 22	252	-	J-09 08	202	1897608M91	J-09 06	199	22833X1	P-42 09	231
1825040M2	C-32 07	42	1825484M4	E-04 20	131	1894414M91	J-09 06	197	-	J-09 08	203	2311D039	A-05 09	20
1825173M1	G-40 09	169	1825490M1	E-04 27	142	-	J-09 08	201	1897640M91	J-09 06	199	2311D105	A-05 02	4
-	P-42 01	221	1825491M92	E-04 27	142	1894415M1	J-09 06	197	-	J-09 08	203	2313M377	A-05 13	29
1825246M2	P-42 15	241	1825504M4	X-48 04	334	-	J-09 08	201	195562M1	P-42 16	242	-	A-05 16	32
1825253M1	P-42 15	238	1825505M4	X-48 04	334	1895933M91	J-09 06	198	195868M1	P-42 15	240	-	A-05 16	32
1825272M1	P-42 16	242	1860959M1	G-40 05	160	1895934M1	J-09 06	198	2113A001	A-05 02	3	2314C037	A-05 06	13
1825278M93	P-42 16	242	1871153M1	P-42 19	248	1895935M1	J-09 06	198	2116053	A-05 06	14	2314D106	A-05 10	22
1825284M1	P-42 16	243	1887717M1	J-09 06	197	1897430M1	J-09 06	199	2131A506	A-05 17	33	2314F001	A-05 02	3
1825290M1	P-42 07	228	-	J-09 08	201	-	J-09 08	203	-	A-05 17	33	2314F003	A-05 10	24
1825296M1	P-42 07	229	1887718M1	J-09 06	197	1897431M1	J-09 06	199	-	A-05 17	33	2314F004	A-05 04	10
1825297M1	P-42 07	229	-	J-09 08	201	-	J-09 08	203	-	A-05 17	33	-	A-05 16	32
1825300M1	P-42 07	229	1887719M1	J-09 06	197	1897432M91	J-09 06	199	2131A507	A-05 14	30	2314F008	A-05 14	30
1825310M1	P-42 18	246	-	J-09 08	201	-	J-09 08	203	2134A502	A-05 05	12	2314H002	A-05 06	13

NUMERICAL INDEX  
INDICE NUMERICO

INDEX NUMERIQUE  
NUMERISCHES ATZTEILVERZEICHNIS  
INDICE NUMERICO

M

6

-	A-05 11	26	2314H033	A-05 02	4	2314K164	A-05 12	27	2415B148	A-05 10	23	2431A016	A-05 09	20
2314H003	A-05 06	15	-	A-05 02	4	2314W009	A-05 08	19	2415H002	A-05 11	26	2481877	A-05 10	23
-	A-05 06	15	-	A-05 15	31	2316A901	A-05 05	12	2415H003	A-05 04	9	-	A-05 11	26
-	A-05 14	30	-	A-05 15	31	2316A902	A-05 05	12	2415H008	A-05 12	28	-	A-05 11	26
-	A-05 16	32	2314H034	A-05 06	15	2318A602	A-05 04	10	-	A-05 18	34	2481D062	A-05 15	31
2314H004	A-05 08	18	-	A-05 11	25	2318A603	A-05 08	18	2415H009	A-05 11	25	2481D156	A-05 11	26
-	A-05 08	18	2314J002	A-05 04	10	-	A-05 09	20	2415H510	A-05 06	14	2485A104	A-05 05	11
-	A-05 09	21	-	A-05 04	10	2318A604	A-05 06	15	2418F001	A-05 06	15	2485A108	A-05 02	3
-	A-05 11	26	-	A-05 08	18	2318A634	A-05 13	29	2418F002	A-05 06	15	2485A118	A-05 06	15
-	A-05 12	28	2314J005	A-05 02	4	-	A-05 16	32	2418F436	A-05 06	15	2485A124	A-05 06	15
2314H005	A-05 10	24	2314J008	A-05 07	17	-	A-05 16	32	2418F704	A-05 02	4	2485C041	A-05 12	28
-	A-05 12	27	2314J012	A-05 06	14	2411A524	A-05 11	25	2418M514	A-05 04	8	2486A221	A-05 11	25
2314H010	A-05 11	26	2314J014	A-05 06	14	2411D008	A-05 08	18	-	A-05 04	9	2486A223	A-05 11	25
2314H012	A-05 06	13	2314J203	A-05 02	4	2415633	A-05 10	23	-	A-05 18	34	2486A224	A-05 11	25
-	A-05 12	27	2314J606	A-05 06	14	2415715	A-05 09	20	2431131	A-05 04	9	24880234	A-05 12	27
-	A-05 12	28	2314J607	A-05 02	4	-	A-05 18	34	2431154	A-05 04	9	2558A501	A-05 06	13
2314H015	A-05 09	20	2314K159	A-05 09	20	2415A063	A-05 06	14	-	A-05 04	10	2559A001	A-05 06	13
2314H022	A-05 09	20	2314K161	A-05 10	24	2415A068	A-05 10	23	-	A-05 06	16	26420318	A-05 08	18

**NUMERICAL INDEX  
INDICE NUMERICO**

**INDEX NUMERIQUE  
NUMERISCHES ATZTEILVERZEICHNIS  
INDICE NUMERICO**

**M**

**7**

-	A-05 18	34	2824178M1	J-09 12	207	3001933X1	E-04 05	95	-	R-20 03	268	-	P-42 26	256
26420469	A-05 08	18	2848062	A-05 02	4	3002104X1	C-32 13	55	-	U-47 07	308	-	Z-36 15	340
2643B302	A-05 08	18	2848A127	A-05 04	10	-	P-42 10	232	-	X-48 07	337	3009410X1	E-04 30	146
2645K011	A-05 08	18	3000009X1	G-40 08	166	3003157X1	G-40 08	166	3008120X1	P-42 04	225	3009431X1	D-00 05	65
2645K611	A-05 08	18	-	G-40 08	166	-	G-40 08	166	3008179X1	S-22 03	289	-	U-47 15	321
2646E018	A-05 08	19	3000035X1	J-09 03	189	3004973X1	P-42 16	243	-	U-47 08	311	3009432X1	U-47 05	305
2646E501	A-05 08	19	3000087X1	D-00 12	76	3005455X1	E-04 25	138	3008229X1	U-47 04	302	-	U-47 12	315
2646F011	A-05 14	30	3000193X1	U-47 02	298	3005636X1	P-42 15	241	3008483X1	J-09 04	193	3009440X1	D-00 01	59
2646F012	A-05 14	30	3000253X1	G-40 03	154	3005908X1	U-47 03	300	-	X-48 05	335	3009441X1	U-47 04	303
2646F501	A-05 08	19	-	P-42 13	236	-	U-47 03	301	3008490X1	U-47 03	300	3009442X1	U-47 05	306
2652A019	A-05 10	22	-	P-42 14	237	3006020X1	E-04 18	124	-	U-47 05	305	3009448X1	U-47 03	300
2654403	A-05 11	26	-	P-42 19	248	-	E-04 25	139	3008878X1	E-04 05	95	3009493X1	C-32 09	47
26560166	A-05 14	30	3001046X1	P-42 15	240	3006165X1	D-00 12	76	3008914X1	U-47 01	296	-	E-04 14	117
2666A016	A-05 04	10	3001163X1	X-48 08	338	3006693X1	E-04 22	135	3009131X1	J-09 13	210	-	E-04 19	128
2674A405	A-05 16	32	3001197X1	J-09 18	219	3006803X1	E-04 13	114	3009205X1	U-47 06	307	-	E-04 22	134
2721332	A-05 03	6	3001753X1	U-47 04	303	3007188X1	G-40 06	163	3009291X1	C-32 11	52	-	J-09 18	218
2721B064	A-05 06	13	3001856X1	R-20 02	265	3007932X1	R-20 01	264	3009301X1	P-42 16	242	-	P-42 01	220
2722A022	A-05 05	12	3001884X1	J-09 12	207	-	R-20 02	266	3009329X1	P-42 25	255	-	S-22 04	290

NUMERICAL INDEX  
INDICE NUMERICO

INDEX NUMERIQUE  
NUMERISCHES ATZTEILVERZEICHNIS  
INDICE NUMERICO

M 8

-	U-47 11	314	3009693X1	C-32 09	47	3010971X1	C-32 09	47	3015128X1	P-42 12	235	-	Z-36 151	342
3009494X1	E-04 22	134	-	D-00 14	80	3015006X1	C-32 10	49	3015132X1	P-42 13	236	3015165X1	J-09 04	193
-	G-40 07	164	-	E-04 17	123	3015007X1	G-40 02	153	-	P-42 14	237	3015167X1	G-40 07	165
-	R-20 04	269	-	G-40 09	169	3015008X1	G-40 02	152	-	Z-36 151	342	-	P-42 12	235
3009495X1	C-32 03	37	-	J-09 18	218	3015009X1	G-40 02	152	3015133X1	G-40 14	180	-	U-47 07	308
-	J-09 18	219	-	P-42 04	225	3015010X1	E-04 13	116	3015137X1	D-00 07	67	3015208X1	J-09 15	215
3009497X1	U-47 06	307	-	X-48 05	335	3015027X1	U-47 03	300	3015153X1	D-00 09	70	3015231X1	E-04 19	126
3009503X1	C-32 02	36	3009694X1	C-32 03	37	-	U-47 07	308	-	S-22 02	287	3015233X1	P-42 26	256
3009506X1	S-22 04	290	-	C-32 12	53	3015043X1	J-09 05	195	-	S-22 04	290	-	Z-36 15	340
-	U-47 11	314	-	E-04 16	121	3015045X1	E-04 05	95	-	U-47 01	297	3015303X1	U-47 03	300
3009507X1	G-40 07	165	-	J-09 04	193	3015050X1	J-09 03	191	-	U-47 07	308	-	U-47 05	305
3009512X1	J-09 03	191	3009696X1	G-40 09	169	3015058X1	E-04 07	102	-	U-47 10	313	3015323X1	G-40 11	173
3009514X1	P-42 16	242	3009853X1	J-09 12	207	3015082X1	U-47 07	308	3015160X1	G-40 09	168	3015337X1	J-09 05	196
3009532X1	R-20 02	265	3010349X1	X-48 03	333	3015105X1	U-47 08	310	3015163X1	P-42 01	220	3015419X1	P-42 16	242
3009537X1	U-47 04	303	3010467X1	S-22 01	285	3015126X1	U-47 08	310	-	P-42 13	236	3015459X1	R-20 01	263
3009541X1	U-47 03	301	-	U-47 05	305	-	U-47 13	317	-	P-42 14	237	3015467X1	U-47 02	298
3009544X1	R-20 111	283	3010595X1	P-42 25	255	3015127X1	U-47 07	308	-	P-42 15	239	3015471X1	X-48 03	333
3009560X1	E-04 12	111	3010937X1	X-48 01	330	-	U-47 09	312	-	P-42 15	240	3015472X1	P-42 15	239

NUMERICAL INDEX  
INDICE NUMERICO

INDEX NUMERIQUE  
NUMERISCHES ATZTEILVERZEICHNIS  
INDICE NUMERICO

M 9

3015491X1	G-40 08	166	-	Z-36 201	344	-	X-48 08	338	3019960X1	G-40 03	154	3142A151	A-05 04	9
3015492X1	D-00 12	75	3019375X91	G-40 02	153	3019565X1	S-22 03	288	3019962X1	P-42 17	244	3142H071	A-05 04	8
3015504X1	E-04 20	131	3019394X1	J-09 04	193	-	S-22 03	288	-	P-42 18	247	3142U031	A-05 06	15
3015511X1	P-42 07	229	3019437X1	E-04 14	118	-	S-22 04	290	3019963X1	G-40 03	157	3142W004	A-05 04	9
3015546X1	E-04 14	118	-	E-04 22	134	-	U-47 11	314	3112A005	A-05 03	6	-	A-05 04	9
3015558X1	E-04 07	101	3019557X1	P-42 21	251	3019572X1	C-32 08	44	3112D071	A-05 02	3	31434307	A-05 06	15
-	Z-36 201	344	3019560X1	C-32 11	51	-	C-32 09	47	31137312	A-05 03	5	314722A1	C-32 15	58
3015559X1	E-04 26	140	-	C-32 11	52	3019912X1	E-04 13	114	31137322	A-05 03	5	314723A1	C-32 15	58
-	Z-36 20	343	-	C-32 11	52	3019914X1	E-04 18	124	31137551	A-05 03	5	3161C017	A-05 04	10
3019057X1	P-42 03	223	-	D-00 13	78	-	E-04 27	142	31137561	A-05 03	5	3174A015	A-05 05	11
3019063X1	S-22 01	286	-	P-42 10	232	-	G-40 02	152	3114X191	A-05 02	4	3174A016	A-05 04	9
-	U-47 01	296	-	R-20 02	266	3019915X1	E-04 12	110	3115C113	A-05 02	4	-	A-05 04	9
3019125X1	U-47 06	307	-	R-20 03	268	-	P-42 18	246	3115T051	A-05 03	7	3174A017	A-05 10	22
3019301X1	E-04 13	114	-	S-22 05	291	3019918X1	E-04 14	118	3117C221	A-05 03	6	3178C172	A-05 09	20
3019302X91	E-04 05	95	-	U-47 07	308	-	E-04 25	139	3117L261	A-05 08	18	32114145	A-05 05	11
-	E-04 16	121	-	U-47 08	311	3019929X1	P-42 16	243	3117L271	A-05 06	14	-	A-05 05	11
3019306X1	G-40 04	158	-	U-47 09	312	3019943X1	J-09 13	210	313126A2	C-32 15	58	3211C002	A-05 02	4
3019352X1	E-04 07	101	-	U-47 13	317	3019952X1	E-04 19	126	3141A002	A-05 06	13	3211P022	A-05 09	20

Landini Rex tier 2 fp/cab 80 f/ge -  
desp. 4207965m1

**NUMERICAL INDEX  
INDICE NUMERICO**

**INDEX NUMERIQUE  
NUMERISCHES ATZTEILVERZEICHNIS  
INDICE NUMERICO**

**M 10**

3212P008	A-05 02	3	3241N001	A-05 03	7	3301575M1	D-00 10	72	3304199M1	J-09 18	219	3304808M1	R-20 01	264
3212V003	A-05 03	6	3244A009	A-05 04	8	3301814M2	D-00 15	83	3304452M1	J-09 03	190	3304893M2	R-20 05	270
3212V005	A-05 02	4	3272A015	A-05 06	14	3302001M1	P-42 16	242	3304484M1	P-42 23	253	3304944M1	E-04 13	114
-	A-05 02	4	3278A004	A-05 11	26	3302044M2	G-40 06	162	-	P-42 24	254	3305003M92	J-09 08	201
3212V006	A-05 02	3	3278A006	A-05 04	9	3302110M2	E-04 13	113	-	Z-36 15	340	3305040M4	E-04 02	89
32141316	A-05 02	3	3278A007	A-05 11	25	3302489M1	G-40 05	160	3304523M93	J-09 04	193	3305041M2	E-04 02	89
32166329	A-05 02	3	3300073M1	E-04 16	121	3302516M1	G-40 09	169	-	P-42 03	223	3305048M2	E-04 13	115
32186137	A-05 03	7	-	G-40 05	161	3302820M1	P-42 03	223	-	P-42 06	227	3305049M1	E-04 13	116
32186405	A-05 09	20	3300126M1	E-04 16	121	3303151M1	R-20 111	283	3304540M1	J-09 01	183	3305061M1	E-04 22	134
3218A011	A-05 04	8	-	G-40 05	161	3303219M1	E-04 07	103	3304647M4	G-40 01	151	-	E-04 28	144
3218A012	A-05 04	8	-	G-40 14	179	-	E-04 31	148	3304650M1	G-40 03	154	3305360M1	P-42 12	235
3218J013	A-05 13	29	3300129M1	C-32 12	53	-	G-40 01	151	3304655M4	G-40 05	160	3305964M92	J-09 06	197
3218R036	A-05 17	33	3300157M91	X-48 02	332	-	J-09 02	185	3304656M1	G-40 05	159	3306224M3	P-42 15	238
-	A-05 17	33	3300393M1	C-32 12	53	-	S-22 04	290	3304657M1	G-40 05	160	3306237M1	P-42 15	239
32416117	A-05 04	8	3300764M2	P-42 22	252	3303305M3	G-40 02	152	3304695M1	E-04 14	118	3306393M2	P-42 18	247
3241A011	A-05 02	3	3300775M93	P-42 06	227	3303340M92	P-42 07	228	3304805M92	G-40 05	160	3306398M1	P-42 17	244
3241A012	A-05 02	3	-	P-42 08	230	3303462M4	G-40 12	177	3304807M1	G-40 05	160	3306405M6	P-42 07	228
3241A013	A-05 06	13	3301467M1	G-40 10	171	-	G-40 13	178	-	G-40 05	160	3306703M91	G-40 14	179

NUMERICAL INDEX  
INDICE NUMERICO

INDEX NUMERIQUE  
NUMERISCHES ATZTEILVERZEICHNIS  
INDICE NUMERICO

M 11

-	G-40 15	181	3307615M1	D-00 12	75	-	G-40 14	180	-	G-40 03	157	3310759M1	U-47 04	303
3306705M92	G-40 09	168	3307616M1	C-32 01	35	3308154M1	E-04 18	124	-	G-40 05	161	3310764M1	G-40 05	159
-	G-40 09	168	3307627M93	P-42 01	221	-	P-42 17	244	-	P-42 02	222	3310765M1	G-40 05	159
-	G-40 09	169	3307650M91	C-32 09	46	-	P-42 18	246	-	P-42 16	243	3310766M1	G-40 05	160
3306714M1	R-20 111	283	3307666M91	C-32 04	38	-	P-42 18	246	3308789M1	P-42 18	247	3310767M1	G-40 05	160
3306954M1	P-42 19	249	-	C-32 04	38	-	P-42 18	247	3308790M1	P-42 18	247	3310768M1	G-40 05	159
3306955M1	P-42 19	248	-	C-32 06	41	-	P-42 18	247	3308792M91	G-40 05	159	3311370M1	E-04 08	106
3307184M2	G-40 01	149	3307667M91	C-32 04	38	3308242M1	X-48 06	336	3309123M1	J-09 02	185	3311534M91	D-00 15	82
3307224M1	G-40 01	149	-	C-32 04	38	3308247M1	P-42 10	233	3309186M1	S-22 03	289	3311576M91	J-09 14	213
3307268M1	P-42 07	228	3307668M91	C-32 06	41	3308296M2	G-40 05	159	-	U-47 08	311	3313A022	A-05 02	3
3307341M1	E-04 18	124	3307669M91	C-32 06	41	3308392M1	E-04 06	96	3309241M1	J-09 03	191	3313E021	A-05 04	8
-	P-42 18	246	3307701M91	P-42 11	234	3308393M1	E-04 06	97	3309334M1	J-09 02	187	-	A-05 04	8
3307342M1	P-42 18	247	-	P-42 23	253	3308395M1	R-20 05	270	3309354M1	E-04 13	114	33142111	A-05 02	3
3307444M91	P-42 22	252	-	P-42 24	254	3308441M91	P-42 22	252	3309363M1	E-04 13	116	3314297M1	J-09 15	214
3307479M1	G-40 11	173	-	Z-36 15	340	3308445M91	P-42 22	252	3309460M1	P-42 12	235	3314A151	A-05 04	8
3307613M1	D-00 04	63	3307702M91	E-04 17	123	3308788M1	E-04 12	111	-	P-42 13	236	3314A161	A-05 04	8
3307614M1	D-00 04	63	3307883M1	E-04 07	102	-	E-04 14	117	-	P-42 14	237	3321A003	A-05 06	14
-	S-22 01	285	3308153M1	C-32 13	56	-	E-04 14	117	3310623M1	J-09 03	191	3327A003	A-05 06	14



**NUMERICAL INDEX  
INDICE NUMERICO**

**INDEX NUMERIQUE  
NUMERISCHES ATZTEILVERZEICHNIS  
INDICE NUMERICO**

**M 12**

3342A011	A-05 04	9	-	E-04 24	137	-	R-20 11	281	-	U-47 11	314	-	U-47 20	327
-	A-05 04	9	339025X1	E-04 04	93	-	R-20 111	283	339096X1	G-40 06	163	-	X-48 08	338
3353D005	A-05 09	20	339030X1	C-32 06	41	-	R-20 111	283	339123X1	C-32 09	46	339124X1	C-32 12	53
33554128	A-05 11	25	-	C-32 08	43	339034X1	C-32 07	42	-	C-32 10	49	-	D-00 01	60
3380341M1	P-42 19	249	-	C-32 13	55	-	U-47 11	314	-	C-32 10	49	-	D-00 06	66
33812116	A-05 09	20	-	C-32 13	56	-	X-48 01	330	-	D-00 04	63	-	D-00 15	83
33813131	A-05 11	25	-	D-00 04	63	339056X1	R-20 02	266	-	E-04 03	91	-	P-42 15	241
3383A037	A-05 15	31	-	D-00 07	67	339071X1	E-04 18	124	-	E-04 12	110	-	P-42 16	243
3384600M2	G-40 11	173	-	D-00 07	67	-	E-04 27	142	-	E-04 18	124	339126X1	E-04 13	114
3388153M1	R-20 03	268	-	D-00 09	70	339079X1	C-32 10	49	-	G-40 04	158	339132X1	G-40 14	179
-	R-20 11	281	-	D-00 12	76	-	E-04 14	118	-	G-40 06	162	-	G-40 15	181
338854X1	E-04 19	127	-	E-04 03	91	339081X1	A-05 16	32	-	J-09 17	217	339159X1	C-32 08	44
3389655M1	U-47 07	309	-	G-40 06	163	-	D-00 05	65	-	P-42 10	232	339160X1	C-32 11	51
339008X1	E-04 24	137	-	G-40 07	165	-	D-00 12	75	-	R-20 09	279	-	C-32 11	52
339009X1	E-04 17	123	-	P-42 23	253	-	D-00 14	80	-	R-20 11	282	-	C-32 11	52
-	S-22 03	289	-	P-42 24	254	-	R-20 10	280	-	S-22 01	285	339169X1	C-32 05	39
339011X1	C-32 05	40	-	R-20 03	268	339084X1	E-04 01	86	-	S-22 07	293	-	C-32 11	51
339018X1	E-04 19	128	-	R-20 05	270	339091X1	S-22 03	288	-	U-47 18	324	-	D-00 04	63

NUMERICAL INDEX  
INDICE NUMERICO

INDEX NUMERIQUE  
NUMERISCHES ATZTEILVERZEICHNIS  
INDICE NUMERICO

M 13

-	E-04 03	91	339204X1	C-32 07	42	-	D-00 11	73	-	C-32 11	51	-	J-09 17	217
-	E-04 17	123	-	D-00 11	73	-	P-42 01	220	-	C-32 11	52	-	P-42 01	220
-	G-40 06	162	339208X1	P-42 16	242	-	R-20 09	279	-	C-32 12	54	-	P-42 01	220
-	P-42 01	220	339228X1	D-00 01	60	-	S-22 01	286	-	D-00 01	59	-	P-42 15	241
-	R-20 01	263	-	E-04 16	121	-	U-47 06	307	-	D-00 02	61	-	P-42 16	243
-	R-20 02	266	-	S-22 07	294	339347X1	E-04 02	89	-	D-00 04	63	-	P-42 23	253
-	R-20 09	279	-	U-47 18	325	339351X1	D-00 10	72	-	D-00 06	66	-	P-42 24	254
-	S-22 01	285	339247X1	X-48 07	337	-	G-40 10	171	-	D-00 15	83	-	R-20 01	263
-	S-22 01	285	339248X1	E-04 24	137	339368X1	C-32 08	44	-	E-04 01	86	-	R-20 02	266
-	S-22 03	288	339262X1	D-00 07	67	339369X1	G-40 07	165	-	E-04 03	92	-	R-20 03	268
-	S-22 07	293	-	E-04 17	123	-	S-22 04	290	-	E-04 17	123	-	R-20 09	279
-	U-47 01	296	339275X1	J-09 15	215	-	U-47 11	314	-	E-04 24	137	-	R-20 09	279
-	U-47 02	298	-	P-42 19	249	339374X1	A-05 11	26	-	G-40 04	158	-	R-20 11	282
-	U-47 13	317	-	S-22 03	288	-	C-32 08	44	-	G-40 06	162	-	R-20 111	283
-	U-47 18	324	-	U-47 11	314	-	C-32 08	44	-	G-40 06	162	-	S-22 01	285
-	U-47 20	327	339299X1	E-04 24	137	-	C-32 09	46	-	G-40 14	179	-	S-22 07	293
-	X-48 07	337	339328X1	J-09 15	215	-	C-32 10	49	-	G-40 14	179	-	U-47 02	299
339186X1	P-42 07	228	339337X1	C-32 11	51	-	C-32 11	51	-	G-40 15	181	-	U-47 03	300

NUMERICAL INDEX  
INDICE NUMERICO

INDEX NUMERIQUE  
NUMERISCHES ATZTEILVERZEICHNIS  
INDICE NUMERICO

M 14

-	U-47 06	307	-	E-04 03	92	-	S-22 03	288	-	G-40 07	164	339439X1	G-40 01	150
-	U-47 13	317	-	E-04 17	123	-	U-47 11	314	-	J-09 18	219	339469X1	E-04 20	130
-	U-47 15	320	-	G-40 06	162	-	U-47 12	315	-	P-42 01	220	-	E-04 20	131
-	U-47 18	324	-	G-40 07	165	339381X1	C-32 11	51	-	R-20 01	263	-	G-40 03	156
-	U-47 20	327	-	G-40 09	168	-	C-32 11	52	-	S-22 03	288	339481X1	J-09 12	207
-	X-48 08	338	-	J-09 04	193	-	C-32 11	52	-	X-48 05	335	339498X1	C-32 07	42
339375X1	C-32 04	38	-	J-09 04	193	-	D-00 12	75	339402X1	E-04 19	128	339517X1	E-04 06	98
-	C-32 05	39	-	P-42 01	220	-	D-00 16	84	-	E-04 24	137	339526X1	G-40 14	180
-	C-32 08	43	-	P-42 03	223	-	G-40 07	165	-	Z-36 15	340	-	G-40 14	180
-	C-32 08	44	-	R-20 02	266	-	P-42 10	232	339414X1	E-04 19	128	-	G-40 15	181
-	C-32 09	46	-	R-20 03	268	-	R-20 01	263	-	Z-36 201	344	-	G-40 15	181
-	C-32 13	56	-	R-20 11	281	-	R-20 02	266	339422X1	E-04 04	93	339560X1	C-32 04	38
-	C-32 13	56	-	R-20 11	281	-	R-20 03	268	-	E-04 27	142	-	C-32 09	46
-	D-00 04	63	-	R-20 11	281	339382X1	R-20 02	266	-	P-42 11	234	-	D-00 04	63
-	D-00 07	67	-	U-47 07	308	339393X1	J-09 03	190	339436X1	E-04 13	115	-	D-00 07	67
-	D-00 07	67	-	U-47 15	320	339394X1	J-09 03	190	-	E-04 20	130	-	E-04 02	89
-	D-00 12	76	-	X-48 07	337	339401X1	C-32 02	36	339437X1	E-04 13	113	-	G-40 06	163
-	D-00 16	84	339377X1	S-22 03	288	-	C-32 09	47	-	E-04 13	115	-	J-09 04	193

NUMERICAL INDEX  
INDICE NUMERICO

INDEX NUMERIQUE  
NUMERISCHES ATZTEILVERZEICHNIS  
INDICE NUMERICO

M 15

-	J-09 04	193	339666X1	C-32 05	39	-	C-32 10	49	339814X1	X-48 05	335	3426814M1	J-09 03	191
-	P-42 03	224	-	C-32 05	39	-	D-00 02	61	339818X1	E-04 13	114	3426851M2	G-40 03	154
-	R-20 03	268	-	C-32 13	55	-	E-04 02	89	-	E-04 13	115	-	G-40 03	154
-	U-47 02	298	-	C-32 13	56	-	E-04 04	93	339820X1	E-04 06	96	3426868M1	G-40 03	155
-	U-47 07	308	-	D-00 07	67	-	E-04 17	123	-	E-04 13	114	3426876M1	G-40 03	156
-	U-47 15	320	-	D-00 09	70	-	P-42 23	253	3405180M1	D-00 10	72	3426957M1	G-40 03	156
339585X1	E-04 16	121	-	D-00 12	75	-	P-42 24	254	-	D-00 11	73	3426961M1	G-40 03	156
-	G-40 05	161	-	D-00 16	84	-	R-20 03	268	3426028M2	J-09 05	195	3427184M1	J-09 13	209
339599X1	E-04 01	86	-	E-04 03	91	-	R-20 09	279	3426300M1	G-40 03	155	3427185M1	J-09 11	206
339605X1	E-04 06	96	-	R-20 02	266	-	S-22 01	285	3426301M1	G-40 03	155	-	J-09 13	211
339608X1	E-04 02	89	-	R-20 11	281	-	U-47 02	299	3426302M1	G-40 03	155	3427190M1	J-09 13	209
-	J-09 03	189	-	R-20 11	281	-	U-47 04	303	3426304M1	G-40 03	155	3427191M1	J-09 13	209
-	J-09 03	189	339713X1	E-04 12	110	-	U-47 04	303	3426312M1	J-09 14	213	3427192M1	J-09 13	209
-	J-09 03	190	339721X1	D-00 16	84	-	U-47 13	317	3426647M1	G-40 03	155	3427193M1	J-09 13	209
-	J-09 05	195	-	S-22 05	291	-	U-47 15	320	3426665M1	J-09 03	191	3427194M1	J-09 13	210
-	P-42 22	252	339746X1	G-40 05	160	339804X1	C-32 05	39	3426756M1	G-40 03	156	3427195M1	J-09 13	210
339616X1	X-48 01	330	-	G-40 05	160	-	G-40 07	164	3426771M1	G-40 03	155	3427196M1	J-09 13	209
339643X1	E-04 05	95	339761X1	C-32 02	36	339805X1	S-22 03	288	-	J-09 13	210	3427197M1	J-09 13	211

NUMERICAL INDEX  
INDICE NUMERICO

INDEX NUMERIQUE  
NUMERISCHES ATZTEILVERZEICHNIS  
INDICE NUMERICO

M 16

3427198M3	J-09 15	215	3428725M1	J-09 12	207	3530412M1	P-42 07	228	3530568M2	E-04 07	102	3531609M1	P-42 06	227
3427398M2	G-40 03	156	3428726M1	J-09 12	207	3530490M91	U-47 13	317	3530571M1	E-04 07	103	3531629M1	E-04 07	104
3427400M2	G-40 03	155	3428727M1	J-09 12	207	-	U-47 13	318	3530579M91	E-04 07	103	3531635M1	E-04 19	128
3427425M2	J-09 13	210	3428829M1	J-09 13	209	-	U-47 13	318	3530683M92	E-04 15	119	3531661M2	C-32 05	39
3427431M1	G-40 03	156	3428920M1	J-09 12	207	3530535M2	E-04 06	96	3530709M3	E-04 28	143	-	C-32 10	49
3427769M1	J-09 13	210	3428942M1	J-09 12	207	3530536M1	E-04 06	97	3530755M1	E-04 07	99	3531797M1	E-04 24	137
3428230M1	J-09 13	211	3428962M1	J-09 12	207	3530537M1	E-04 06	97	3530803M1	X-48 02	332	3532048M3	E-04 20	131
3428303M1	G-40 03	155	3429014M91	J-09 11	206	3530538M1	E-04 06	97	3530884M3	E-04 28	143	3532272M1	E-04 19	128
3428397M1	G-40 03	156	3429400M1	J-09 11	206	3530540M1	E-04 06	97	3530904M91	D-00 12	76	3532345M91	E-04 07	101
-	J-09 12	207	3482H023	A-05 11	26	3530542M1	E-04 07	99	3530933M92	P-42 13	236	3532446M1	E-04 06	97
-	J-09 13	209	3482V091	A-05 10	23	3530543M3	E-04 07	99	-	P-42 14	237	3532447M3	E-04 07	99
-	J-09 14	213	3482V093	A-05 11	26	3530544M3	E-04 07	99	-	Z-36 151	342	3532498M1	E-04 07	102
3428457M1	J-09 14	213	3525A114	A-05 08	19	3530545M3	E-04 07	99	353105X1	E-04 20	130	3532500M3	E-04 07	103
3428521M2	J-09 13	209	3525A115	A-05 08	19	3530548M1	E-04 07	100	3531243M93	P-42 06	227	3532523M1	E-04 16	121
3428523M1	J-09 13	210	3525A116	A-05 08	19	3530549M1	E-04 07	100	3531264M1	J-09 05	195	3532530M1	C-32 07	42
3428525M1	J-09 13	209	3530208M91	J-09 01	183	3530550M91	E-04 07	100	3531277M93	G-40 05	160	3532632M91	G-40 03	154
3428722M1	J-09 12	207	3530244M1	J-09 05	195	3530550M94	E-04 07	100	3531457M2	J-09 03	190	3532657M1	E-04 27	142
3428724M1	J-09 12	207	3530411M1	P-42 07	228	-	E-04 10	108	3531536M92	J-09 03	189	3532740M1	P-42 25	255

NUMERICAL INDEX  
INDICE NUMERICO

INDEX NUMERIQUE  
NUMERISCHES ATZTEILVERZEICHNIS  
INDICE NUMERICO

M 17

-	P-42 26	256	3532938M2	E-04 28	144	3533821M92	P-42 19	248	3534038M91	D-00 09	71	3534402M1	E-04 06	98
-	Z-36 15	340	-	E-04 28	144	3533895M91	P-42 19	249	3534086M92	E-04 27	142	3534405M1	E-04 10	108
3532741M91	P-42 25	255	3532994M2	R-20 05	270	3533901M92	D-00 12	76	3534126M1	G-40 01	150	3534408M91	D-00 01	59
-	P-42 26	256	3533020M2	G-40 03	154	3533902M92	D-00 12	76	3534127M1	G-40 01	150	3534413M91	D-00 01	59
-	Z-36 15	340	3533021M3	G-40 03	154	3533928M91	D-00 09	70	3534128M1	G-40 01	150	3534457M91	E-04 19	127
3532742M5	E-04 28	143	3533027M1	G-40 03	154	3533934M3	P-42 19	248	3534129M1	G-40 01	150	3534500M1	C-32 08	44
3532766M1	G-40 11	173	3533032M92	G-40 03	155	3533935M1	P-42 19	249	3534130M1	G-40 01	150	3534556M1	E-04 10	108
3532788M1	P-42 11	234	3533063M1	C-32 08	44	3533941M91	D-00 12	76	3534131M1	G-40 01	150	3534565M1	G-40 11	173
3532803M2	R-20 01	263	3533124M1	U-47 06	307	3533944M91	D-00 12	75	3534132M1	G-40 01	150	3534570M1	P-42 19	249
3532804M1	P-42 10	232	3533148M91	E-04 07	103	3533946M1	E-04 13	113	3534133M1	G-40 01	150	3534571M93	P-42 19	249
3532806M91	P-42 10	232	3533153M1	R-20 01	263	3533975M1	E-04 08	106	3534134M1	G-40 01	150	3534671M2	E-04 06	96
3532818M3	R-20 05	271	-	R-20 01	263	-	E-04 10	108	3534198M3	E-04 02	89	3534683M2	E-04 19	127
3532821M1	C-32 12	53	3533582M1	G-40 07	164	-	E-04 13	113	3534199M3	E-04 02	88	3534684M1	E-04 19	128
3532907M2	G-40 08	166	3533633M92	P-42 19	248	3533979M2	E-04 13	116	3534355M1	E-04 13	116	3534907M2	E-04 13	115
3532909M93	G-40 07	164	3533704M93	P-42 19	248	3533995M2	G-40 02	152	3534366M1	E-04 06	96	3535080M1	R-20 05	271
3532910M1	G-40 07	164	3533780M1	G-40 11	173	3534001M4	G-40 02	152	3534368M1	E-04 06	98	3535111M1	G-40 11	173
3532923M1	D-00 07	68	3533796M1	R-20 05	270	3534002M1	G-40 02	153	3534374M92	E-04 06	97	3535119M1	G-40 11	173
-	P-42 03	224	3533820M92	P-42 19	248	3534037M91	D-00 09	71	3534375M1	E-04 06	96	3535125M1	J-09 02	185

NUMERICAL INDEX  
INDICE NUMERICO

INDEX NUMERIQUE  
NUMERISCHES ATZTEILVERZEICHNIS  
INDICE NUMERICO

M 18

3535133M1	P-42 11	234	3536121M94	G-40 09	168	-	E-04 14	118	3538529M1	E-04 10	108	3539311M91	D-00 09	71
3535354M1	P-42 07	229	3536129M91	E-04 02	90	-	E-04 16	121	-	E-04 13	113	3539315M92	J-09 16	216
3535394M2	E-04 07	99	-	R-20 111	284	353763X1	P-42 19	249	3538530M1	E-04 08	106	3539316M1	J-09 16	216
3535396M1	J-09 04	194	3536219M1	G-40 11	173	3537678M1	R-20 05	271	-	E-04 10	108	3539395M1	C-32 03	37
-	J-09 04	194	3536269M1	E-04 07	102	3537773M92	P-42 13	236	3538531M1	E-04 10	108	3539421M91	E-04 07	100
3535565M1	S-22 01	286	3536581M91	D-00 09	71	-	P-42 14	237	-	E-04 13	112	-	E-04 07	100
3535607M1	R-20 05	270	3536612M91	X-48 08	338	-	Z-36 151	342	3538584M1	E-04 13	112	-	E-04 11	109
3535698M1	E-04 18	124	3536613M91	X-48 08	338	3537812M91	G-40 10	171	3538602M1	C-32 09	47	3539422M1	E-04 11	109
3535755M91	D-00 04	63	3536738M2	G-40 13	178	3537825M1	P-42 19	249	3538617M1	G-40 11	173	3539424M1	E-04 11	109
3535788M1	E-04 19	127	3536801M1	E-04 20	131	3537828M2	P-42 19	249	3538620M91	G-40 11	174	-	E-04 13	113
3535795M91	C-32 11	51	-	E-04 20	132	3538009M91	P-42 25	255	3538774M1	E-04 14	117	3539425M1	E-04 09	107
-	C-32 11	51	-	E-04 25	138	-	P-42 26	256	3538890M1	P-42 22	252	-	E-04 11	109
3535827M92	D-00 10	72	-	P-42 16	242	-	Z-36 15	340	3538938M2	E-04 07	100	-	E-04 13	113
-	D-00 11	73	3536962M1	G-40 07	164	3538038M1	J-09 05	195	3539014M91	D-00 06	66	3539426M1	E-04 09	107
3535828M1	D-00 10	72	3536963M1	G-40 07	164	3538041M93	J-09 05	195	-	D-00 16	84	-	E-04 11	109
-	D-00 11	73	3536964M1	G-40 07	164	3538043M92	J-09 05	195	3539021M1	U-47 13	318	3539427M1	E-04 09	107
3536060M1	P-42 12	235	3536965M1	G-40 07	164	3538127M1	E-04 13	113	3539036M1	P-42 19	248	-	E-04 11	109
3536089M3	E-04 18	124	3537542M1	E-04 05	95	3538468M92	E-04 13	112	3539074M1	X-48 07	337	3539428M1	E-04 11	109

NUMERICAL INDEX  
INDICE NUMERICO

INDEX NUMERIQUE  
NUMERISCHES ATZTEILVERZEICHNIS  
INDICE NUMERICO

M 19

-	E-04 13	112	3540567M92	G-40 14	179	3541697M91	S-22 08	295	-	P-42 04	225	-	E-04 14	118
3539464M1	E-04 20	131	3540568M92	G-40 15	181	-	U-47 19	326	-	P-42 04	225	-	G-40 03	155
3539465M1	E-04 20	131	354074X1	X-48 01	330	-	U-47 21	329	3542971M1	P-42 15	239	-	G-40 03	156
3539466M1	E-04 20	131	3540888M1	S-22 08	295	3541989M1	X-48 08	338	3543102M1	X-48 05	335	3545561M93	E-04 21	133
3539770M91	D-00 07	67	-	U-47 19	326	3541990M1	X-48 08	338	3543125M1	J-09 01	184	3545819M91	G-40 09	168
3539777M91	J-09 01	183	-	U-47 21	329	3542251M91	E-04 07	103	3543545M91	C-32 05	39	3545940M1	E-04 17	123
3539976M1	G-40 09	169	3540889M1	S-22 08	295	3542265M1	G-40 11	175	3543738M2	E-04 20	130	-	P-42 23	253
-	G-40 10	171	-	U-47 19	326	-	G-40 11	175	3543743M1	E-04 20	131	-	P-42 24	254
3540046M1	C-32 05	39	-	U-47 21	329	-	G-40 11	175	3543796M1	G-40 11	174	3545957M1	E-04 20	132
3540047M1	C-32 05	39	354091X1	P-42 19	249	3542266M1	G-40 11	175	3543858M1	P-42 19	248	3546200M1	E-04 12	110
3540050M1	C-32 05	39	3541151M91	U-47 15	320	3542272M1	E-04 06	98	3544705M1	E-04 13	116	3546309M1	E-04 17	123
3540225M91	G-40 10	171	3541152M91	U-47 15	320	3542385M1	P-42 07	228	3544709M1	E-04 13	115	3546530M1	G-40 06	162
3540270M1	S-22 08	295	3541155M1	P-42 02	222	3542670M91	E-04 03	91	3545317M1	E-04 22	134	3546579M92	C-32 12	53
-	U-47 19	326	3541308M1	G-40 11	175	-	E-04 03	91	3545393M2	E-04 28	143	3546581M1	C-32 12	53
-	U-47 21	329	3541364M91	C-32 05	40	354272X1	P-42 02	222	3545498M1	C-32 03	37	3546588M2	G-40 02	152
3540378M1	J-09 04	193	3541371M1	X-48 08	338	3542903M92	C-32 05	39	-	R-20 11	281	3546589M1	G-40 02	152
3540547M1	D-00 13	78	3541600M1	U-47 01	296	3542937M1	E-04 16	121	3545529M1	G-40 03	156	3546722M1	E-04 17	123
3540548M1	D-00 13	78	3541601M1	U-47 01	296	-	G-40 14	180	3545546M1	E-04 14	117	-	P-42 23	253



NUMERICAL INDEX  
INDICE NUMERICO

INDEX NUMERIQUE  
NUMERISCHES ATZTEILVERZEICHNIS  
INDICE NUMERICO

M 20

-	P-42 24	254	3547545M1	P-42 12	235	3548029M1	U-47 03	300	3548290M91	U-47 04	302	-	E-04 16	121
3546843M93	G-40 14	180	3547586M1	X-48 04	334	-	U-47 03	300	3548299M1	U-47 04	303	-	G-40 02	153
3546868M1	P-42 23	253	3547594M1	D-00 01	59	-	U-47 04	302	3548300M1	U-47 04	303	-	G-40 09	168
-	P-42 24	254	3547636M2	J-09 18	219	-	U-47 05	305	3548316M1	E-04 13	115	-	G-40 09	168
-	Z-36 15	340	3547652M91	E-04 24	137	-	U-47 05	306	3548324M1	U-47 03	300	-	G-40 09	169
3546948M2	D-00 01	59	3547684M91	E-04 24	137	-	U-47 12	315	3548330M1	U-47 07	308	-	P-42 03	223
3547066M1	E-04 02	89	3547703M4	G-40 03	154	3548041M1	U-47 03	301	3548358M1	U-47 05	305	-	P-42 03	223
3547117M1	G-40 14	179	3547846M91	X-48 08	338	3548203M91	J-09 16	216	3548390M1	E-04 13	114	3548878M1	G-40 14	179
3547211M1	E-04 18	124	3547847M1	E-04 07	104	3548219M91	D-00 01	59	3548394M1	U-47 04	303	-	G-40 14	179
3547247M91	G-40 09	168	3547857M1	U-47 03	300	3548225M1	R-20 05	271	3548395M1	E-04 13	116	-	G-40 15	181
3547249M1	G-40 06	163	3547891M2	G-40 14	180	3548226M1	R-20 05	271	3548402M1	E-04 13	115	-	G-40 15	181
3547333M1	S-22 04	290	3547899M91	U-47 12	315	3548227M1	R-20 05	271	3548431M1	C-32 09	46	-	P-42 13	236
-	U-47 01	297	3547986M1	P-42 13	236	3548228M1	R-20 05	271	3548445M1	P-42 25	255	-	P-42 14	237
-	U-47 07	309	-	P-42 14	237	3548229M1	R-20 05	271	-	P-42 26	256	3548879M1	G-40 14	179
-	U-47 08	310	3547987M1	S-22 01	286	3548238M2	R-20 09	279	-	U-47 15	320	-	G-40 15	181
3547386M1	R-20 05	271	3548026M1	U-47 03	300	3548244M1	U-47 12	315	3548446M1	X-48 05	335	-	J-09 04	193
3547541M1	G-40 07	164	-	U-47 05	305	3548285M1	U-47 05	305	3548467M1	E-04 13	114	-	P-42 03	223
3547542M1	G-40 09	169	3548028M1	U-47 03	300	3548289M91	U-47 04	302	3548877M1	E-04 05	95	3548880M91	D-00 10	72

NUMERICAL INDEX  
INDICE NUMERICO

INDEX NUMERIQUE  
NUMERISCHES ATZTEILVERZEICHNIS  
INDICE NUMERICO

M 21

3548949M1	G-40 09	168	3550786M91	E-04 13	112	3551537M92	U-47 15	320	3552885M91	U-47 01	296	3554658M91	X-48 08	338
3549141M1	J-09 02	185	3550787M1	E-04 13	112	3551575M1	J-09 01	184	3552976M1	E-04 19	128	3554751M1	R-20 05	271
3549142M1	J-09 02	185	3550896M1	G-40 05	159	3551577M91	J-09 01	184	3553055M91	E-04 22	135	3554759M1	R-20 05	271
3549287M1	R-20 05	270	3550897M1	P-42 25	255	3551628M91	J-09 01	183	3553478M1	C-32 09	46	3554762M1	R-20 05	271
3549288M1	D-00 12	75	-	P-42 26	256	3551771M1	U-47 06	307	3553507M91	U-47 08	310	3554765M1	R-20 05	271
3549517M91	P-42 13	236	-	Z-36 15	340	3551941M1	C-32 09	47	3553615M2	E-04 05	95	3554768M1	R-20 05	271
-	P-42 14	237	3551245M91	U-47 15	320	-	C-32 10	49	-	P-42 03	223	3555162M1	U-47 05	306
3549549M1	J-09 03	191	3551246M91	U-47 15	321	3552149M1	G-40 11	175	-	P-42 03	223	3555532M1	J-09 04	194
3549749M91	E-04 13	112	3551330M1	E-04 22	134	-	G-40 11	175	-	P-42 03	223	3555645M1	P-42 07	229
3549750M1	E-04 13	112	3551391M1	G-40 06	163	3552262M1	R-20 02	265	3553620M1	C-32 08	43	3555647M2	P-42 07	229
3549754M1	E-04 13	113	3551467M1	E-04 22	135	-	R-20 03	268	3553651M1	G-40 14	179	3555710M1	E-04 25	138
3549950M1	J-09 01	184	-	P-42 05	226	3552294M91	E-04 26	140	-	G-40 15	181	3555711M91	E-04 25	138
3549951M91	J-09 01	184	-	P-42 05	226	-	Z-36 20	343	3553732M91	U-47 13	318	3555895M93	U-47 05	306
3549983M1	R-20 05	271	-	P-42 05	226	3552332M1	G-40 11	174	3554175M1	J-09 02	185	3556351M1	U-47 12	316
3549984M2	R-20 05	271	-	P-42 05	226	3552333M1	G-40 11	174	3554267M1	P-42 10	232	3556355M2	R-20 03	267
3550096M1	C-32 08	44	3551473M1	P-42 06	227	3552335M1	G-40 11	174	3554591M1	E-04 16	121	3556360M1	E-04 03	91
3550627M1	P-42 10	232	3551507M1	G-40 09	169	3552504M2	R-20 05	270	-	P-42 03	223	3556364M1	R-20 10	280
3550785M91	E-04 13	112	3551513M1	P-42 10	233	3552884M91	U-47 01	296	3554592M1	P-42 06	227	3556446M93	P-42 10	232

NUMERICAL INDEX  
INDICE NUMERICO

INDEX NUMERIQUE  
NUMERISCHES ATZTEILVERZEICHNIS  
INDICE NUMERICO

M

22

3556447M1	P-42 10	232	3558708M1	R-20 07	277	3559618M94	X-48 08	338	3615948M1	J-09 04	193	3644A022	A-05 14	30
3556476M1	U-47 07	309	3558709M1	R-20 07	276	3559786M2	J-09 15	215	3615A009	A-05 10	22	3647007M4	P-42 10	232
3556506M1	D-00 11	73	3558710M1	R-20 07	276	3559822M1	J-09 03	190	3617A015	A-05 04	10	3647032M1	R-20 06	274
3556729M1	X-48 02	332	3558711M1	R-20 07	276	356580X1	P-42 01	220	-	A-05 04	10	3647033M1	R-20 06	273
3557019M91	U-47 01	296	3558712M1	R-20 07	276	3571C077	A-05 15	31	3617A021	A-05 06	14	3647047M1	U-47 13	318
3557020M91	U-47 01	296	3558869M1	J-09 02	185	3575A064	A-05 09	21	3617V015	A-05 06	15	-	U-47 17	323
3557297M91	P-42 05	226	3559514M91	D-00 01	60	3577A125	A-05 09	20	-	A-05 18	34	3647053M1	R-20 07	277
3557504M1	P-42 16	243	3559552M95	R-20 06	273	357872X1	J-09 04	193	3617V016	A-05 06	15	3647146M1	X-48 05	335
3557565M91	U-47 01	296	3559553M1	R-20 06	274	3581422M1	R-20 03	267	-	A-05 18	34	3647155M1	R-20 07	276
3557659M1	J-09 02	185	3559554M1	R-20 06	273	-	R-20 11	281	3619603M1	U-47 05	306	3647156M1	R-20 07	276
3557890M1	G-40 06	163	3559555M1	R-20 06	274	3581423M1	R-20 03	268	3619610M1	U-47 05	306	3647157M1	R-20 06	274
3558078M1	G-40 04	158	3559556M1	R-20 06	273	3582548M1	U-47 02	298	3619907M1	U-47 05	306	3647158M1	R-20 06	273
3558702M97	R-20 07	276	3559557M1	R-20 06	273	3584A005	A-05 16	32	3619908M1	U-47 05	306	3647226M1	U-47 05	306
3558703M1	R-20 07	276	3559558M1	R-20 06	273	359104X1	E-04 20	131	3623A009	A-05 02	3	3647260M1	P-42 16	243
3558704M1	R-20 07	276	3559559M1	R-20 06	273	361031X1	E-04 22	134	-	A-05 02	4	3647299M1	R-20 06	273
3558705M1	R-20 07	277	3559561M91	X-48 07	337	-	E-04 28	144	36241123	A-05 10	23	3647339M1	E-04 30	146
3558706M1	R-20 07	276	3559562M1	X-48 07	337	-	P-42 15	239	3627P041	A-05 09	20	3647463M1	R-20 06	274
3558707M1	R-20 07	277	3559585M91	X-48 02	332	3611M006	A-05 15	31	3641A007	A-05 08	18	3647481M1	S-22 03	289

**NUMERICAL INDEX  
INDICE NUMERICO**

**INDEX NUMERIQUE  
NUMERISCHES ATZTEILVERZEICHNIS  
INDICE NUMERICO**

**M 23**

3647491M1	E-04 25	138	3649271M91	P-42 04	225	3651040M92	G-40 05	160	3652883M1	R-20 05	270	3654178M91	P-42 17	244
364752X1	P-42 19	249	3649303M92	D-00 12	76	3651430M91	J-09 04	193	3653166M1	U-47 01	296	3654180M91	P-42 17	244
3647577M1	E-04 13	114	3649409M1	J-09 15	214	3651504M91	J-09 03	190	3653709M91	D-00 07	67	3654181M1	P-42 18	247
3647643M1	R-20 06	274	3649443M1	J-09 15	214	3651626M1	P-42 02	222	3653924M1	D-00 01	60	3654235M2	P-42 17	244
3647757M1	G-40 09	169	3649649M1	J-09 15	215	3651665M91	U-47 04	303	3654023M91	P-42 04	225	3654237M1	P-42 17	244
3647774M91	U-47 11	314	3649660M1	J-09 15	215	3652084M2	C-32 04	38	3654024M92	G-40 01	149	3654263M1	P-42 17	244
364777X1	G-40 03	156	3649711M1	R-20 07	277	3652085M2	C-32 04	38	3654025M91	G-40 01	149	3654282M1	P-42 17	245
3647883M1	P-42 17	244	3649794M1	R-20 07	277	3652098M1	R-20 05	270	3654096M1	R-20 11	282	3654296M1	E-04 27	142
3648152M1	R-20 06	274	3649821M91	R-20 10	280	3652099M91	P-42 02	222	3654098M1	R-20 11	282	3654321M1	U-47 13	318
3648153M2	R-20 07	277	3649911M2	P-42 01	220	3652102M1	R-20 05	270	3654104M92	D-00 13	78	3654483M1	P-42 04	225
3648192M1	R-20 05	270	3650060M1	S-22 04	290	3652327M92	P-42 18	246	3654105M92	D-00 13	78	3654633M91	J-09 15	215
3648329M1	R-20 01	263	3650102M1	R-20 111	283	3652403M2	E-04 16	121	3654139M91	C-32 11	51	3654719M1	S-22 08	295
3648330M1	C-32 04	38	3650491M1	U-47 06	307	3652424M1	R-20 05	271	3654158M1	R-20 111	283	-	U-47 19	326
3648447M1	R-20 06	274	3650694M2	D-00 09	70	3652432M1	J-09 16	216	-	R-20 111	283	-	U-47 21	329
3648630M1	X-48 08	338	3650696M1	E-04 18	124	3652470M1	J-09 16	216	3654173M95	P-42 18	247	3654720M1	S-22 08	295
3648821M1	D-00 11	73	3650718M2	R-20 05	272	3652772M2	E-04 18	125	3654174M95	P-42 18	246	-	U-47 19	326
3648822M1	D-00 11	73	3650796M1	X-48 08	338	3652836M91	E-04 18	124	3654175M94	P-42 17	244	-	U-47 21	329
3649115M1	P-42 09	231	3650905M1	E-04 15	120	3652879M91	R-20 05	270	3654177M3	P-42 17	244	3654721M1	S-22 08	295

NUMERICAL INDEX  
INDICE NUMERICO

INDEX NUMERIQUE  
NUMERISCHES ATZTEILVERZEICHNIS  
INDICE NUMERICO

M 24

-	U-47 19	326	3656590M1	R-20 111	283	3657989M1	E-04 09	107	3658813M1	E-04 07	102	3659462M1	U-47 03	300
-	U-47 21	329	3656730M93	G-40 14	179	3657994M1	E-04 08	106	-	Z-36 201	344	-	U-47 05	305
3654745M1	E-04 08	106	3656734M92	G-40 15	181	3657995M1	E-04 08	106	3658826M1	E-04 07	103	3660065M1	U-47 02	298
3654964M1	C-32 09	47	3656765M1	U-47 06	307	3658005M1	S-22 08	295	-	Z-36 201	344	-	U-47 05	306
3655076M1	J-09 02	185	3657240M91	C-32 11	51	-	U-47 19	326	3658828M1	E-04 07	102	3660071M1	U-47 04	303
3655688M1	P-42 15	241	3657241M93	C-32 11	51	-	U-47 21	329	-	Z-36 201	344	-	U-47 05	306
3655691M1	E-04 19	126	3657398M1	U-47 05	306	3658006M91	S-22 08	295	3658832M3	E-04 26	140	-	U-47 12	315
3655716M2	E-04 12	110	3657700M1	R-20 10	280	-	U-47 19	326	-	Z-36 20	343	-	U-47 12	316
3655842M1	P-42 01	220	3657766M91	C-32 05	39	-	U-47 21	329	3658851M2	R-20 05	270	3660073M1	U-47 03	300
3656014M1	P-42 17	245	-	C-32 09	47	3658010M1	S-22 07	293	3659005M1	U-47 03	300	3660074M1	U-47 12	315
3656156M91	J-09 18	219	-	C-32 09	47	-	U-47 18	324	-	U-47 05	305	3660097M91	U-47 04	303
3656164M92	G-40 14	179	-	D-00 05	65	3658011M1	S-22 07	293	365919X1	D-00 09	70	3660116M1	U-47 02	298
-	G-40 15	181	-	U-47 15	321	-	U-47 18	324	-	U-47 13	317	3660129M1	U-47 04	303
-	P-42 01	220	3657959M91	P-42 02	222	3658030M91	J-09 02	186	365920X1	U-47 13	317	3660235M1	E-04 31	148
3656198M1	E-04 25	138	3657960M91	P-42 02	222	3658323M1	R-20 07	277	3659456M91	U-47 12	315	3660236M1	E-04 31	148
3656234M1	E-04 23	136	3657961M1	P-42 02	222	3658327M1	R-20 07	277	-	U-47 12	315	3660326M1	R-20 02	265
3656272M1	P-42 01	220	3657969M1	E-04 09	107	3658332M1	C-32 08	43	3659457M1	U-47 12	315	3660327M1	R-20 02	265
3656514M91	P-42 03	223	3657972M1	E-04 09	107	3658654M1	E-04 15	120	3659460M1	U-47 05	305	3660400M1	X-48 01	330

NUMERICAL INDEX  
INDICE NUMERICO

INDEX NUMERIQUE  
NUMERISCHES ATZTEILVERZEICHNIS  
INDICE NUMERICO

M 25

3660418M1	E-04 25	138	3662002M1	E-04 26	140	-	P-42 14	237	-	G-40 08	166	-	Z-36 20	343
3660435M91	P-42 05	226	-	Z-36 20	343	-	P-42 16	243	-	P-42 07	229	3664107M1	E-04 29	145
3660751M91	E-04 16	121	3662039M1	E-04 26	140	3662868M1	G-40 01	150	-	P-42 15	240	-	Z-36 20	343
3660780M92	P-42 06	227	-	Z-36 20	343	3662869M1	G-40 01	151	-	P-42 19	249	3664113M1	E-04 26	140
3660781M92	P-42 06	227	3662103M92	U-47 12	315	3662873M3	C-32 13	55	3663822M91	D-00 10	72	-	Z-36 20	343
3660926M91	D-00 12	76	3662370M1	U-47 08	310	3663168M1	P-42 01	220	-	D-00 11	73	3664114M1	E-04 26	140
3660938M92	C-32 09	47	-	U-47 08	310	3663319M91	G-40 11	172	3663862M91	P-42 20	250	-	Z-36 20	343
3661039M1	C-32 10	49	-	U-47 13	318	3663519M1	E-04 17	123	3663938M91	E-04 12	110	3664115M1	E-04 29	145
-	C-32 10	49	3662735M91	D-00 09	70	-	S-22 02	287	-	E-04 15	119	-	Z-36 20	343
3661068M1	U-47 04	303	3662736M91	D-00 09	70	-	S-22 04	290	-	E-04 15	120	3664116M1	E-04 29	145
3661272M91	D-00 16	84	3662737M91	D-00 09	70	-	U-47 01	297	3663975M91	D-00 15	82	-	Z-36 20	343
3661435M1	R-20 11	282	3662738M91	D-00 09	70	3663814M1	A-05 11	26	3663980X1	E-04 03	91	3664127M1	Z-36 20	343
3661453M1	J-09 02	185	3662788M91	D-00 16	84	-	C-32 07	42	3663984M1	E-04 15	119	3664127M2	E-04 29	145
3661667M92	U-47 15	320	3662790M91	D-00 16	84	-	C-32 12	53	3664104M1	E-04 06	98	3664131M1	E-04 26	140
3661782M1	E-04 07	102	3662863M1	D-00 04	64	-	C-32 14	57	-	Z-36 201	344	-	Z-36 20	343
-	Z-36 201	344	-	D-00 09	70	-	E-04 01	87	3664105M2	E-04 28	143	3664188M1	R-20 06	274
3662001M91	E-04 26	140	-	D-00 09	70	-	E-04 18	124	-	Z-36 20	343	3664266M3	U-47 02	299
-	Z-36 20	343	-	P-42 13	236	-	E-04 29	145	3664106M1	E-04 28	143	3664275M1	R-20 06	274

NUMERICAL INDEX  
INDICE NUMERICO

INDEX NUMERIQUE  
NUMERISCHES ATZTEILVERZEICHNIS  
INDICE NUMERICO

M 26

3664288M92	D-00 15	83	3665618M1	E-04 30	146	-	U-47 15	320	3666481M91	D-00 17	85	3667437M1	E-04 01	87
366434X1	E-04 30	147	3665737M1	P-42 20	250	3666022M1	C-32 05	40	3666562M92	P-42 18	246	3667661M1	U-47 02	298
-	J-09 12	207	3665739M1	P-42 20	250	3666062M3	C-32 06	41	3666563M2	P-42 18	246	3667702M1	P-42 15	239
3664410M1	E-04 25	138	3665878M1	E-04 03	91	3666163M2	E-04 13	115	3666583M91	P-42 04	225	3667723M92	X-48 04	334
3664416M1	C-32 08	44	-	E-04 17	123	3666172M1	E-04 30	147	3666635M1	C-32 06	41	3667724M93	X-48 04	334
3664481M91	E-04 05	95	-	G-40 04	158	3666178M1	E-04 13	115	3666666M1	D-00 10	72	3667732M91	X-48 02	332
-	E-04 14	117	-	J-09 17	217	3666206M3	P-42 15	241	-	D-00 11	73	-	X-48 04	334
-	E-04 19	128	-	P-42 23	253	3666296M91	D-00 07	67	3666759M91	D-00 04	63	3667735M1	X-48 02	332
3665121M2	P-42 18	246	-	P-42 24	254	3666323M2	Z-36 201	344	3666826M2	P-42 12	235	-	X-48 03	333
3665210M1	E-04 19	127	-	S-22 01	286	3666323M3	E-04 07	102	3666963M1	X-48 05	335	-	X-48 04	334
3665225M91	E-04 25	139	-	S-22 07	293	3666350M1	E-04 30	146	3667009M98	S-22 01	285	3667759M1	U-47 02	298
3665226M91	E-04 25	138	-	U-47 18	324	3666351M1	E-04 30	146	3667012M96	S-22 01	285	3667770M2	E-04 18	124
3665395M1	U-47 07	308	-	U-47 20	327	3666352M1	E-04 30	146	3667053M91	E-04 03	91	3667773M95	G-40 04	158
3665396M1	D-00 15	82	3665915M91	E-04 25	139	3666353M1	E-04 30	146	-	G-40 04	158	3667774M95	G-40 04	158
366544X1	E-04 25	138	3665950M1	U-47 01	296	3666354M1	E-04 30	146	3667075M91	E-04 17	123	3667775M1	D-00 04	63
-	P-42 01	220	3665987M1	E-04 28	143	3666355M1	E-04 30	146	3667092X1	E-04 25	139	-	G-40 07	164
3665477M1	E-04 28	143	3665997M1	D-00 12	76	3666356M1	E-04 30	146	3667103M91	R-20 04	269	3667796M91	P-42 22	252
3665526M1	E-04 22	134	-	R-20 02	266	3666357M1	E-04 30	146	3667322M91	D-00 17	85	3667805M1	E-04 27	142

NUMERICAL INDEX  
INDICE NUMERICO

INDEX NUMERIQUE  
NUMERISCHES ATZTEILVERZEICHNIS  
INDICE NUMERICO

M 27

3667810M91	X-48 04	334	3668296M92	X-48 02	332	3668743M91	R-20 02	265	3669619M4	E-04 05	95	3669683M91	C-32 12	53
3667811M95	E-04 03	91	3668460M4	R-20 03	267	3668814M91	C-32 05	39	3669623M2	E-04 22	134	3669684M92	C-32 12	53
3667867M1	E-04 22	135	3668466M93	R-20 02	265	3668841M91	C-32 11	51	3669624M2	E-04 22	135	3669685M2	C-32 12	53
3667932M91	P-42 11	234	3668467M93	R-20 02	265	3668866M91	C-32 06	41	3669626M1	E-04 12	110	3669686M92	C-32 12	53
3667937M2	E-04 19	128	3668610M1	R-20 03	267	3668875M1	P-42 15	240	3669630M1	E-04 15	119	3669687M91	C-32 13	55
3667941M1	P-42 07	229	3668655M1	E-04 07	100	3668876M1	P-42 15	240	3669631M3	E-04 15	119	3669719M91	D-00 01	60
3667955M95	C-32 11	51	3668678M91	P-42 11	234	3669081M92	R-20 05	272	3669632M1	E-04 15	119	3669825M1	E-04 17	123
3668057M91	D-00 15	83	3668682M1	R-20 03	267	3669306M94	R-20 01	263	3669633M1	E-04 22	134	-	P-42 23	253
3668176M93	D-00 01	59	3668697M91	G-40 04	158	3669307M92	R-20 01	263	3669635M91	E-04 14	117	-	P-42 24	254
3668190M1	C-32 04	38	3668708M1	U-47 05	306	3669466M1	U-47 04	303	3669640M1	E-04 28	143	3669837M1	G-40 09	169
3668199M1	X-48 02	332	3668710M2	P-42 15	239	3669481M1	U-47 07	308	3669641M1	E-04 28	143	3669845M2	C-32 13	55
-	X-48 03	333	3668712M2	P-42 15	240	3669560M1	E-04 22	134	3669642M1	E-04 28	143	3669850X1	P-42 16	242
-	X-48 04	334	3668719M5	P-42 15	240	3669562M1	E-04 30	146	3669643M1	E-04 28	144	3669915M91	C-32 13	55
3668201M91	D-00 04	63	3668724M6	P-42 15	239	3669572M91	C-32 03	37	3669647M1	E-04 12	110	3669923M1	E-04 12	110
3668202M91	D-00 04	63	3668725M2	P-42 15	241	3669573M2	S-22 07	293	3669648M2	E-04 12	110	3670018M91	P-42 24	254
3668204M1	C-32 04	38	3668740M1	R-20 02	265	-	U-47 18	324	3669649M1	E-04 12	110	-	Z-36 15	340
3668231M1	C-32 02	36	3668741M1	R-20 02	265	-	U-47 20	327	3669650M1	E-04 12	110	3670019M91	P-42 23	253
3668273M91	D-00 04	63	3668742M94	R-20 02	265	3669591M93	C-32 09	46	3669651M2	E-04 14	117	-	P-42 24	254



**NUMERICAL INDEX  
INDICE NUMERICO**

**INDEX NUMERIQUE  
NUMERISCHES ATZTEILVERZEICHNIS  
INDICE NUMERICO**

**M 28**

3670023M1	P-42 23	253	3670582M1	E-04 24	137	3670801M93	R-20 03	267	3671126M91	C-32 08	43	3671376M91	D-00 08	69
-	P-42 24	254	3670687M93	R-20 03	267	3670842M2	S-22 03	289	3671150M92	R-20 03	267	3671439M2	R-20 03	267
-	Z-36 15	340	3670717M2	C-32 06	41	3670847M91	G-40 06	162	3671151M92	R-20 03	267	3671457M95	P-42 16	242
3670024M1	C-32 09	47	3670718M1	C-32 06	41	3670853M4	P-42 15	239	3671173M1	R-20 05	271	3671461M92	C-32 09	46
3670025M92	C-32 09	47	3670719M91	P-42 22	252	3670911M3	S-22 01	285	3671182M1	C-32 04	38	3671464M92	C-32 08	43
3670026M91	C-32 09	47	3670723M2	E-04 14	117	3670952M1	E-04 15	120	3671193M91	C-32 01	35	3671486M1	E-04 23	136
3670039M2	C-32 09	47	3670728M1	A-05 11	26	3671012M99	S-22 03	288	3671211M95	E-04 15	119	3671487M91	G-40 11	172
3670184M93	E-04 12	110	3670738M91	E-04 02	89	3671013M98	S-22 03	288	3671212M94	E-04 15	119	3671488M91	G-40 11	172
3670187M93	C-32 09	46	3670760M1	C-32 09	46	3671028M4	P-42 15	240	3671232M2	G-40 06	162	3671489M91	G-40 11	172
3670212M2	C-32 09	47	3670765M1	R-20 02	266	3671067M1	P-42 15	241	3671233M2	G-40 06	162	3671492M91	G-40 11	172
3670222M91	P-42 10	232	3670766M93	R-20 03	268	3671072M91	E-04 01	86	3671238M1	G-40 06	163	3671494M91	G-40 11	172
3670242M91	P-42 11	234	3670767M93	R-20 03	268	3671083M91	G-40 14	179	3671276M1	P-42 20	250	3671506M4	S-22 02	287
3670243M91	P-42 11	234	3670770M1	E-04 12	110	3671085M91	P-42 11	234	3671278M1	P-42 20	250	3671507M4	S-22 02	287
3670297M94	R-20 02	265	3670774M91	G-40 06	162	3671087M1	E-04 03	91	3671279M1	D-00 15	82	3671513M93	S-22 01	285
3670298M94	R-20 02	265	3670776M1	G-40 06	163	3671090M1	P-42 11	234	-	D-00 15	82	3671515M93	S-22 01	286
3670459M92	C-32 09	46	3670780M91	E-04 14	117	3671115M91	D-00 12	75	3671356M91	X-48 03	333	3671517M3	S-22 04	290
3670564M93	A-05 01	1	3670782M91	J-09 09	204	3671120M92	R-20 03	267	3671360M4	P-42 12	235	3671518M3	S-22 04	290
3670567M91	E-04 24	137	3670798M91	P-42 10	232	3671121M92	R-20 03	267	3671362X1	P-42 16	243	3671519M93	D-00 12	75

**NUMERICAL INDEX  
INDICE NUMERICO**

**INDEX NUMERIQUE  
NUMERISCHES ATZTEILVERZEICHNIS  
INDICE NUMERICO**

**M 29**

3671521M93	D-00 12	75	3671588M91	G-40 11	174	3671784M91	J-09 02	186	3671892M91	E-04 01	86	3672715M1	Z-36 201	344
3671522M91	G-40 06	162	3671590M91	G-40 11	174	3671791M91	J-09 02	186	3671903M1	C-32 09	46	3672797M91	E-04 16	121
3671527M1	E-04 22	135	3671591M91	G-40 11	174	3671795M91	J-09 02	186	3671969M2	C-32 09	46	3672803M1	E-04 26	140
3671529M91	C-32 01	35	3671629M1	R-20 06	275	3671804M1	E-04 29	145	3672082M1	E-04 26	140	3672806M94	E-04 03	91
3671530M1	G-40 05	159	3671630M1	R-20 06	275	-	Z-36 20	343	3672084M1	E-04 26	140	3672850M91	S-22 07	293
3671550M92	G-40 09	168	3671639M1	C-32 02	36	3671806M1	E-04 23	136	3672135M1	A-05 11	26	-	U-47 18	324
3671551M92	G-40 09	168	3671689M92	E-04 07	104	3671821M91	G-40 06	163	3672176M93	C-32 10	49	3672854M93	R-20 10	280
3671552M91	G-40 14	179	-	Z-36 201	344	3671834M91	J-09 07	200	3672258M2	P-42 15	241	3672984M95	P-42 13	236
-	G-40 15	181	3671693M91	G-40 06	162	3671838M3	C-32 10	49	3672261M95	S-22 01	285	-	P-42 14	237
3671553M91	G-40 06	162	3671695M91	G-40 06	162	3671840M5	C-32 10	49	3672278M93	S-22 04	290	3672986M1	C-32 10	49
3671554M91	G-40 06	163	3671697M3	P-42 02	222	3671850M1	J-09 02	188	3672348M91	D-00 04	63	3672992M1	R-20 01	264
3671574M1	E-04 23	136	3671698M1	G-40 11	176	3671851M92	P-42 23	253	3672438M91	P-42 11	234	3673001M93	C-32 09	46
-	E-04 23	136	-	J-09 02	188	-	P-42 24	254	3672457M2	S-22 04	290	3673025M91	R-20 01	263
3671579M5	S-22 05	291	3671701M1	G-40 11	175	-	Z-36 15	340	3672459M1	G-40 12	177	3673075M1	S-22 02	287
3671580M5	S-22 05	291	-	J-09 02	187	3671854M1	E-04 31	148	-	G-40 13	178	-	U-47 10	313
3671585M91	G-40 11	174	3671707M92	P-42 01	220	3671858M1	E-04 19	126	3672500M1	J-09 17	217	3673077M2	S-22 02	287
3671586M91	G-40 11	174	3671726M2	P-42 01	220	3671889M3	C-32 06	41	3672676M91	G-40 12	177	-	U-47 10	313
3671587M91	G-40 11	174	3671731M92	E-04 25	138	-	D-00 07	67	3672677M91	G-40 13	178	3673078M1	S-22 02	287

NUMERICAL INDEX  
INDICE NUMERICO

INDEX NUMERIQUE  
NUMERISCHES ATZTEILVERZEICHNIS  
INDICE NUMERICO

M

30

-	U-47 10	313	3673494M1	R-20 02	266	3673882M1	P-42 15	240	3674129M1	D-00 14	80	3674389M3	C-32 04	38
3673079M1	S-22 02	287	3673510M97	S-22 01	285	3673911M93	G-40 08	166	3674251M98	P-42 15	238	3674409M94	S-22 03	288
-	U-47 10	313	3673522M95	S-22 01	285	3673918M91	G-40 08	166	3674271M1	P-42 03	224	3674415M1	S-22 06	292
3673088M93	E-04 16	121	3673548M1	P-42 03	223	3673919M91	G-40 08	166	3674273M91	C-32 08	43	-	U-47 16	322
3673089M92	E-04 16	121	3673557M2	J-09 04	194	3673922M1	P-42 17	245	3674276M4	C-32 08	44	3674422M2	R-20 11	281
3673122M1	J-09 17	217	3673570M91	X-48 05	335	3673928M2	G-40 08	167	3674296M91	G-40 09	169	3674423M93	R-20 11	282
3673275M93	R-20 02	266	3673575M1	E-04 19	127	3673931M1	G-40 07	164	3674306M91	P-42 13	236	3674447M1	J-09 17	217
3673298M91	J-09 07	200	-	Z-36 201	344	3673941M92	G-40 07	164	-	P-42 14	237	3674448M1	R-20 11	281
-	J-09 09	204	3673612M91	X-48 08	338	3673948X1	S-22 04	290	-	Z-36 151	342	3674452M92	R-20 10	280
3673309M1	U-47 20	327	3673620M92	J-09 04	193	3673949M1	G-40 09	168	3674317M1	C-32 08	44	3674512M91	C-32 08	43
3673310M1	U-47 20	327	3673624M92	J-09 04	193	-	S-22 04	290	3674371M91	D-00 12	75	3674516M91	R-20 11	281
3673312M3	C-32 11	51	3673665M92	D-00 12	75	-	U-47 01	296	3674373M1	C-32 09	47	3674528M93	G-40 09	169
3673349M1	S-22 07	293	3673670M91	D-00 12	75	3674013M91	G-40 07	164	3674376M1	S-22 06	292	3674535M1	S-22 03	288
-	U-47 18	324	3673673M91	X-48 03	333	3674024M1	E-04 03	91	-	U-47 16	322	3674536M92	S-22 03	289
-	U-47 20	327	3673759M91	D-00 02	61	3674124M1	D-00 01	60	3674377M1	S-22 06	292	3674537M92	S-22 03	289
3673352M2	C-32 11	51	3673774M1	P-42 26	256	3674125M1	D-00 14	80	-	U-47 16	322	3674545M91	G-40 09	168
3673411M1	S-22 03	289	-	Z-36 15	340	3674127M1	D-00 14	80	3674378M1	S-22 06	292	3674550M95	S-22 03	288
3673441M1	S-22 01	285	3673845M1	C-32 13	55	3674128M1	D-00 14	80	-	U-47 16	322	-	U-47 11	314

NUMERICAL INDEX  
INDICE NUMERICO

INDEX NUMERIQUE  
NUMERISCHES ATZTEILVERZEICHNIS  
INDICE NUMERICO

M 31

3674553M1	S-22 02	287	3674767M91	P-42 10	232	-	Z-36 20	343	3675889M91	J-09 18	218	3676232M1	R-20 10	280
-	U-47 10	313	3674803M91	P-42 11	234	3675485M1	J-09 17	217	3675890M91	J-09 18	218	3676244M91	J-09 03	189
3674555M1	S-22 02	287	3674887M91	G-40 07	165	3675506M92	C-32 11	51	3675891M91	J-09 18	218	3676253M1	G-40 03	156
-	U-47 10	313	3674911M1	P-42 18	246	3675576M92	J-09 03	189	3675894M91	J-09 18	218	3676310M91	R-20 09	279
3674560M93	S-22 01	286	3674952M91	P-42 17	244	-	J-09 03	189	3675896M91	J-09 18	218	3676329M92	G-40 14	180
3674592M2	C-32 06	41	3674964M92	D-00 06	66	3675607M1	J-09 03	191	3675913M1	P-42 03	223	3676395M91	E-04 03	91
3674598M91	D-00 06	66	3675044M91	P-42 01	220	3675686M1	U-47 11	314	3675915M1	P-42 03	224	3676448M91	U-47 06	307
3674612M91	G-40 14	179	3675090M96	U-47 01	296	3675697M2	U-47 08	310	3675976M91	C-32 10	49	3676451M1	U-47 06	307
3674619M1	R-20 11	281	3675359M91	E-04 07	104	3675732M92	C-32 02	36	3675989M92	P-42 03	223	3676475M91	S-22 07	293
3674629M93	C-32 13	56	3675366M2	R-20 08	278	3675787M1	E-04 01	86	3675990M1	P-42 03	223	-	U-47 18	324
3674645M91	D-00 10	72	3675367M2	R-20 08	278	3675788M1	E-04 01	86	3676013M91	J-09 15	214	-	U-47 20	327
3674648M1	P-42 15	241	3675374M2	R-20 08	278	3675792M1	S-22 08	295	3676052M1	J-09 03	191	3676477M1	C-32 01	35
3674661M92	C-32 12	53	3675375M2	R-20 08	278	-	U-47 19	326	3676080M91	U-47 20	327	3676478M1	C-32 01	35
3674663M92	C-32 13	55	3675412M4	U-47 10	313	-	U-47 21	329	3676174M92	D-00 09	70	3676520M1	R-20 08	278
3674673M91	P-42 03	223	3675413M4	U-47 10	313	3675803M91	E-04 01	86	3676177M91	D-00 09	70	3676563M91	U-47 06	307
-	P-42 08	230	3675442M91	D-00 01	60	3675804M91	E-04 01	86	3676197M1	J-09 03	190	3676568X1	E-04 13	115
3674740M91	R-20 11	281	3675457M1	E-04 12	110	3675805M1	X-48 08	338	3676198M2	J-09 18	218	3676704M3	E-04 17	123
3674766M93	P-42 10	232	3675458M1	E-04 12	110	3675888M91	J-09 18	218	3676199M1	J-09 18	218	3676752M2	S-22 07	293

NUMERICAL INDEX  
INDICE NUMERICO

INDEX NUMERIQUE  
NUMERISCHES ATZTEILVERZEICHNIS  
INDICE NUMERICO

M 32

-	U-47 18	324	3677412M1	R-20 01	263	3677653M1	D-00 12	76	3678491M1	U-47 08	310	-	P-42 08	230
-	U-47 20	327	3677417M94	R-20 01	263	3677657M91	U-47 12	316	3678493M2	U-47 08	310	3678864M92	U-47 15	320
3676759M91	D-00 01	60	3677419M91	D-00 14	80	3677679M2	U-47 08	310	3678513M1	E-04 27	142	3678914M91	U-47 06	307
3676774M2	U-47 11	314	3677476M91	C-32 11	52	3677847M92	R-20 111	283	3678538M92	U-47 08	311	3678916M91	S-22 03	289
3676781M91	U-47 15	320	3677477M91	A-05 16	32	3677848M93	R-20 111	283	3678553M91	G-40 09	168	3679016M91	J-09 04	193
3676782M91	U-47 15	320	3677479M92	A-05 16	32	3677873M91	G-40 14	179	3678557M91	D-00 05	65	3679046M1	U-47 13	317
3676783M91	U-47 15	320	3677482M92	C-32 11	52	-	G-40 15	181	3678607M2	S-22 04	290	3679064M1	E-04 16	121
3676801M92	X-48 05	335	3677536M2	G-40 09	170	3677935M1	C-32 02	36	-	U-47 01	296	3679065M91	U-47 02	299
3676804M91	J-09 03	191	3677601M1	U-47 17	323	3678351M2	C-32 08	44	-	U-47 13	317	3679293M91	E-04 14	117
3676809M93	U-47 15	320	3677602M91	U-47 17	323	3678440M2	U-47 08	310	3678642M91	C-32 08	44	3679310M91	D-00 15	82
3676941M1	U-47 08	310	-	U-47 17	323	3678441M92	P-42 06	227	3678781M91	D-00 09	71	3679315M91	U-47 07	308
3677028M92	R-20 02	266	3677610M1	U-47 17	323	3678442M91	P-42 06	227	3678782M1	D-00 09	71	3679324M92	U-47 02	299
3677073M2	S-22 05	291	-	U-47 17	323	3678443M91	P-42 03	223	3678800M91	C-32 07	42	3679332M91	U-47 09	312
3677256M1	X-48 01	330	3677611M1	U-47 17	323	3678444M91	P-42 06	227	3678804M2	C-32 08	43	3679334M1	U-47 03	300
-	X-48 01	330	-	U-47 17	323	3678446M92	P-42 06	227	3678843M91	P-42 01	220	3679335M1	U-47 03	300
3677339M1	E-04 12	111	3677635M91	U-47 17	323	3678452M91	R-20 10	280	3678844M91	P-42 01	220	3679336M91	U-47 12	315
3677397M92	R-20 01	263	3677648M91	S-22 03	289	3678457M1	U-47 08	310	3678855M91	U-47 15	320	3679337M91	U-47 12	316
3677400M92	R-20 01	263	3677652M1	D-00 02	61	3678465M1	U-47 08	310	3678858M91	P-42 03	223	3679338M1	U-47 03	300

NUMERICAL INDEX  
INDICE NUMERICO

INDEX NUMERIQUE  
NUMERISCHES ATZTEILVERZEICHNIS  
INDICE NUMERICO

M

33

-	U-47 04	303	3679550M1	U-47 04	302	3679706M92	U-47 15	320	3680437M91	G-40 14	179	3681246M1	J-09 02	187
3679339M1	U-47 03	300	3679551M91	U-47 04	302	367972X1	P-42 15	240	-	G-40 15	181	3681247M1	J-09 02	187
-	U-47 05	305	3679552M2	U-47 04	303	3679764M2	R-20 01	263	3680499M1	U-47 15	320	3681271M91	J-09 13	209
3679353M1	U-47 02	299	3679553M2	U-47 04	302	-	R-20 01	263	3680563M1	P-42 18	246	3681272M91	J-09 13	209
3679366M91	P-42 06	227	3679556M1	U-47 04	302	3679766M2	D-00 14	80	3680569M1	P-42 18	246	3681412M1	C-32 03	37
3679457M91	U-47 12	315	3679557M1	U-47 04	302	3679817M1	X-48 07	337	3680577M91	D-00 15	82	3681630M1	E-04 19	128
3679459M1	U-47 05	305	3679558M1	U-47 04	302	3679896M2	D-00 04	63	3680580M91	D-00 15	82	3681828M91	J-09 02	186
3679460M1	U-47 05	305	3679559M1	U-47 04	302	3679918M1	U-47 12	316	3680894M1	S-22 01	285	3681921M1	E-04 03	92
3679461M91	U-47 12	315	3679562M1	U-47 04	303	3680010M1	D-00 07	67	3680931M1	J-09 01	184	3681A057	A-05 10	22
3679462M1	U-47 05	305	3679563M1	U-47 04	302	3680040M1	D-00 06	66	3680938M1	R-20 08	278	-	A-05 18	34
3679463M91	U-47 05	306	3679564M91	U-47 04	302	3680041M91	C-32 08	43	3680939M1	R-20 08	278	3681E045	A-05 04	9
3679464M1	U-47 05	305	3679565M1	U-47 04	302	3680114M1	X-48 03	333	3680999M1	X-48 01	330	-	A-05 18	34
3679465M1	U-47 05	305	3679573M91	D-00 15	82	3680162M91	U-47 14	319	3681061M91	J-09 02	185	3681K038	A-05 09	20
3679545M1	U-47 05	305	3679574M91	D-00 15	82	3680172M1	U-47 04	302	3681062M91	J-09 02	185	-	A-05 18	34
3679546M1	U-47 03	301	3679577M1	U-47 08	310	3680259M1	D-00 02	61	3681070M1	D-00 13	78	3681P046	A-05 06	13
3679547M1	U-47 03	301	3679599M91	R-20 11	282	3680261M1	U-47 13	317	3681186M1	R-20 08	278	-	A-05 18	34
3679548M1	U-47 03	301	3679604M1	P-42 15	240	3680335M1	U-47 13	317	3681187M1	R-20 08	278	3681V513	A-05 13	29
3679549M1	E-04 20	130	3679610M1	P-42 15	241	3680416M1	G-40 01	151	3681245M1	J-09 02	187	-	A-05 18	34

NUMERICAL INDEX  
INDICE NUMERICO

INDEX NUMERIQUE  
NUMERISCHES ATZTEILVERZEICHNIS  
INDICE NUMERICO

M 34

3681V514	A-05 16	32	3682825M1	E-04 16	121	3683363M91	U-47 13	318	3683661M1	P-42 15	241	3684453M2	U-47 08	310
3682434M1	P-42 15	238	3682901M1	P-42 15	238	3683364M1	J-09 17	217	3683782M1	R-20 05	272	3684455M2	U-47 08	310
3682439M91	P-42 15	240	3682902M1	P-42 15	238	-	S-22 07	293	3683905M1	U-47 12	316	3684497M91	U-47 02	299
3682480M2	U-47 01	296	3682903M1	P-42 15	238	-	U-47 18	324	3683912M1	U-47 13	317	3684498M91	U-47 02	299
3682482M2	S-22 04	290	3682991M1	D-00 09	71	-	U-47 20	327	3683913M1	U-47 04	303	3684505M1	U-47 07	308
3682485M1	U-47 01	296	-	D-00 14	81	3683365M1	U-47 13	318	3684030M91	P-42 03	223	3684553M91	U-47 07	308
3682488M1	P-42 25	255	3682992M1	D-00 14	80	3683382M1	P-42 15	238	3684186M91	U-47 02	298	3684555M1	U-47 12	315
-	P-42 26	256	3682993M1	D-00 14	80	3683514M1	U-47 08	310	3684187M1	U-47 02	298	3684557M1	U-47 13	317
3682554M91	C-32 10	49	3682994M1	D-00 14	80	3683515X1	U-47 08	310	3684231M92	P-42 15	238	3684594M1	D-00 09	70
3682557M91	C-32 09	47	3682A011	A-05 12	27	3683519M1	U-47 13	318	3684238M1	U-47 07	308	-	G-40 09	170
3682563M2	E-04 19	129	-	A-05 18	34	3683528M1	U-47 04	303	3684241M2	U-47 02	299	-	U-47 10	313
3682574M1	U-47 13	318	3683100M1	E-04 04	93	3683535M2	R-20 03	268	3684242M3	U-47 13	317	3684595M1	G-40 06	163
3682624M3	E-04 19	126	3683103M1	C-32 03	37	3683536M1	U-47 02	298	3684256M2	U-47 07	308	-	S-22 01	286
3682625M3	E-04 19	126	3683105M1	E-04 04	93	3683540M1	U-47 08	310	3684279M93	U-47 13	317	-	U-47 01	296
3682625M4	Z-36 201	344	3683192M91	D-00 14	80	3683541M91	U-47 02	298	3684280M1	U-47 07	308	3684598M1	E-04 12	111
3682637M91	X-48 01	330	36832137	A-05 09	21	3683542M91	U-47 02	298	3684281M1	U-47 07	308	3684669M92	U-47 07	308
3682823M91	E-04 16	121	-	A-05 18	34	3683543M1	U-47 02	299	3684341M91	U-47 14	319	3684N027	A-05 13	29
3682824M1	E-04 16	121	3683222M1	C-32 03	37	3683552M92	U-47 02	298	3684400M1	U-47 13	317	3684N503	A-05 15	31

NUMERICAL INDEX  
INDICE NUMERICO

INDEX NUMERIQUE  
NUMERISCHES ATZTEILVERZEICHNIS  
INDICE NUMERICO

M 35

-	A-05 18	34	3685419M1	U-47 04	303	3686770M1	U-47 02	298	3687M037	A-05 11	26	-	A-05 18	34
3685039M91	S-22 07	294	3685423M91	C-32 07	42	3686793M91	D-00 14	80	3688507M1	E-04 06	97	3688A036	A-05 16	32
-	U-47 18	325	3685426M1	P-42 08	230	3686802M2	P-42 15	240	3688508M1	E-04 07	99	-	A-05 18	34
3685040M91	U-47 20	327	3685480M91	P-42 18	247	3686856M92	S-22 04	290	3688509M1	E-04 06	97	-	A-05 18	34
3685060M1	P-42 08	230	3685724M2	U-47 02	298	3686867M1	U-47 13	317	3688510M1	E-04 07	99	3688A037	A-05 15	31
-	U-47 08	311	3685806M1	C-32 04	38	3686937M1	U-47 13	317	3688667M3	E-04 19	127	-	A-05 18	34
3685113M1	J-09 05	195	3685885M1	U-47 02	298	3686952M1	E-04 17	123	-	Z-36 201	344	3688A038	A-05 10	23
3685238M91	P-42 04	225	-	U-47 07	309	3686954M91	E-04 18	124	3688699M2	U-47 17	323	3688A039	A-05 02	3
3685341M94	U-47 02	298	3686070M91	C-32 15	58	3687176M91	D-00 14	80	3688793M1	Z-36 201	344	-	A-05 02	4
3685368M95	U-47 17	323	3686071M91	C-32 15	58	3687375M91	U-47 17	323	3688828M1	E-04 19	127	-	A-05 11	25
3685374M91	U-47 17	323	3686211M1	U-47 02	298	3687396M1	P-42 15	241	3688884M91	E-04 07	100	-	A-05 18	34
-	U-47 17	323	3686517M1	J-09 02	187	3687405M91	C-32 05	39	-	E-04 08	106	3688A041	A-05 18	34
3685387M91	U-47 13	317	3686568M92	D-00 14	80	3687421M91	U-47 15	320	3688885M91	E-04 07	101	3689109M1	J-09 13	212
3685388M91	U-47 13	317	3686586M92	P-42 15	241	3687531M1	E-04 01	87	-	E-04 09	107	3689110M1	J-09 13	212
3685389M2	U-47 13	317	3686726M2	U-47 13	317	3687675M91	U-47 15	320	3688A029	A-05 16	32	3689127M91	J-09 13	212
3685390M1	U-47 13	317	-	U-47 17	323	3687775M91	P-42 16	243	-	A-05 18	34	3689215M1	E-04 19	128
3685391M2	U-47 13	317	3686758M91	U-47 03	300	3687820M1	J-09 12	207	3688A035	A-05 16	32	3689216M2	E-04 19	128
3685396M91	U-47 17	323	-	U-47 05	305	3687893M91	G-40 05	159	-	A-05 18	34	3689216M3	Z-36 201	344



**NUMERICAL INDEX  
INDICE NUMERICO**

**INDEX NUMERIQUE  
NUMERISCHES ATZTEILVERZEICHNIS  
INDICE NUMERICO**

**M 36**

3689220M1	E-04 19	127	3691211M1	U-47 17	323	3692768X1	J-09 17	217	3692932M91	E-04 30	146	-	G-40 15	181
3689254M91	X-48 03	333	3691503M91	J-09 01	183	3692773M92	P-42 03	223	3692985M1	P-42 21	251	3693523M91	P-42 01	221
3689315M1	U-47 13	317	3691649M1	E-04 20	130	3692775M91	E-04 05	95	3692987M1	P-42 21	251	3693872X1	P-42 26	256
3689883M3	E-04 19	128	3691665M1	E-04 20	131	3692776M91	P-42 03	223	3692988M1	P-42 21	251	-	Z-36 15	340
3689904M91	P-42 27	257	3691978M91	J-09 02	186	3692777M91	P-42 03	223	3693017M91	P-42 29	259	3693876M91	P-42 31	261
3689904M92	Z-36 15	340	3692028M91	P-42 32	262	3692822M91	P-42 13	236	3693017M92	Z-36 15	340	3693953M91	J-09 02	186
3689908M91	P-42 30	260	3692304X1	U-47 17	323	-	P-42 14	237	3693018M91	P-42 28	258	3693955M91	J-09 02	186
3689913M1	P-42 26	256	3692311X1	U-47 07	309	-	Z-36 151	342	3693018M92	Z-36 15	340	3693972M91	J-09 02	186
-	Z-36 15	340	3692350M1	C-32 07	42	3692823M91	P-42 13	236	3693119M1	P-42 04	225	3693976M91	C-32 05	40
3689960M1	G-40 06	163	3692362M91	E-04 02	88	-	P-42 14	237	3693138M1	P-42 04	225	3694189M2	S-22 02	287
3690211M91	U-47 14	319	3692371M2	E-04 02	90	3692823M92	Z-36 151	342	3693210M91	P-42 21	251	3694210M2	U-47 10	313
3690212M1	U-47 14	319	3692410M1	G-40 11	174	3692824M91	P-42 01	221	-	P-42 21	251	3694223M1	P-42 03	224
3690277M1	U-47 13	317	-	J-09 02	185	3692827M92	J-09 17	217	3693448M91	X-48 03	333	3694270M91	P-42 03	223
3690876M93	P-42 15	238	3692462M92	U-47 04	302	3692876M91	E-04 04	93	3693485M92	P-42 09	231	3694278M91	P-42 03	223
3690882M91	P-42 21	251	3692490M92	D-00 03	62	3692879M91	J-09 10	205	3693486M91	G-40 14	180	3694440M92	D-00 06	66
3690904M91	U-47 14	319	3692666M94	E-04 04	93	3692882M91	J-09 10	205	-	G-40 15	181	3694475M91	D-00 09	70
3690909M1	D-00 01	60	3692669M91	E-04 04	93	3692914M91	P-42 03	224	-	Z-36 151	342	3694559M91	E-04 04	93
3690972M1	E-04 20	130	3692720M1	R-20 05	270	3692927M91	P-42 01	221	3693492M91	G-40 14	180	3694833M91	J-09 02	186

NUMERICAL INDEX  
INDICE NUMERICO

INDEX NUMERIQUE  
NUMERISCHES ATZTEILVERZEICHNIS  
INDICE NUMERICO

M 37

3695140M91	D-00 16	84	3697254M91	P-42 05	226	3764731M1	J-09 13	210	3767A041	A-05 13	29	-	D-00 12	75
3695141M91	D-00 04	63	3697255M91	P-42 05	226	3764732M1	J-09 13	211	377329X1	J-09 02	188	-	D-00 13	79
3695142M91	D-00 01	60	3697256M91	P-42 05	226	3764744M1	J-09 13	210	3778C111	A-05 13	29	-	D-00 16	84
3695286M1	P-42 15	239	3697269M91	P-42 04	225	3764745M1	J-09 13	210	378251X1	E-04 19	127	-	G-40 07	165
3695328M1	P-42 15	241	3713259M1	D-00 11	73	3764748M1	J-09 13	211	3788A002	A-05 10	22	-	P-42 10	232
3696375M1	U-47 04	303	371468X1	P-42 01	220	3764759M1	J-09 13	209	3788A003	A-05 10	22	390580X1	G-40 05	161
3696681X1	J-09 02	185	3714A062	A-05 02	4	3764823M1	J-09 13	211	3788N004	A-05 10	24	-	J-09 18	219
3696693M1	J-09 02	185	3715413M1	D-00 09	70	3764827M1	J-09 13	209	3789A001	A-05 10	22	390597X1	C-32 09	47
3696717M1	U-47 04	303	3716C481	A-05 06	15	3765179M2	J-09 13	211	3812A031	A-05 04	10	-	D-00 11	73
-	U-47 07	308	3717C141	A-05 09	20	3765189M1	J-09 13	211	3881A006	A-05 04	10	-	J-09 18	219
-	U-47 07	309	3736A021	A-05 14	30	3765196M1	J-09 13	211	390232X1	E-04 13	114	390613X1	E-04 19	126
3696761M91	G-40 11	173	3751A241	A-05 08	18	3765235M1	J-09 13	211	390244X1	E-04 23	136	390702X1	E-04 04	93
3696763M1	G-40 11	175	3763A045	A-05 14	30	3765401M91	J-09 14	213	390379X1	G-40 05	161	390717X1	P-42 07	228
3696784M1	G-40 04	158	3763A046	A-05 14	30	3765513M91	J-09 14	213	390419X1	S-22 03	288	390718X1	P-42 07	229
3696785M91	E-04 19	126	3764634M1	J-09 13	211	3765662M1	J-09 12	208	-	X-48 04	334	390734X1	A-05 16	32
3697048M2	P-42 05	226	3764700M1	J-09 12	207	3765663M1	J-09 12	208	390446X1	G-40 06	162	-	C-32 02	36
3697213M91	P-42 05	226	3764729M1	J-09 13	211	3766349M1	J-09 13	210	390468X1	D-00 07	67	-	C-32 09	47
-	P-42 05	226	3764730M1	J-09 13	211	3766A171	A-05 11	26	390469X1	D-00 12	75	-	C-32 11	52

NUMERICAL INDEX  
INDICE NUMERICO

INDEX NUMERIQUE  
NUMERISCHES ATZTEILVERZEICHNIS  
INDICE NUMERICO

M 38

-	C-32 13	55	-	U-47 06	307	390863X1	E-04 20	130	-	D-00 12	76	-	R-20 11	281
-	D-00 05	65	-	U-47 11	314	390871X1	P-42 25	255	-	D-00 15	83	-	R-20 111	283
-	D-00 14	80	-	X-48 05	335	390881X1	C-32 13	55	-	D-00 15	83	-	R-20 111	283
-	E-04 04	93	390735X1	E-04 05	95	-	D-00 11	73	-	D-00 16	84	-	U-47 02	298
-	E-04 24	137	-	E-04 20	132	-	P-42 10	233	-	E-04 02	89	-	U-47 07	308
-	G-40 07	164	-	G-40 07	165	390948X1	G-40 02	152	-	E-04 03	92	-	U-47 13	317
-	G-40 08	166	-	U-47 11	314	390949X1	J-09 03	189	-	E-04 17	123	-	U-47 15	320
-	J-09 04	193	390796X1	P-42 01	220	390971X1	C-32 01	35	-	G-40 06	163	-	U-47 15	320
-	J-09 18	218	-	P-42 26	256	-	C-32 05	40	-	G-40 07	164	-	X-48 07	337
-	J-09 18	219	-	Z-36 15	340	-	C-32 06	41	-	G-40 09	169	390972X1	A-05 11	26
-	P-42 04	225	390811X1	E-04 31	148	-	C-32 08	43	-	G-40 09	170	-	C-32 02	36
-	R-20 01	263	390839X1	E-04 05	95	-	C-32 09	46	-	P-42 01	221	-	C-32 05	40
-	R-20 01	263	-	E-04 16	121	-	C-32 13	56	-	P-42 03	223	-	C-32 08	44
-	R-20 01	263	-	P-42 16	243	-	D-00 05	65	-	P-42 05	226	-	C-32 08	44
-	R-20 03	267	390855X1	E-04 05	95	-	D-00 07	67	-	P-42 11	234	-	C-32 10	49
-	R-20 10	280	-	E-04 14	117	-	D-00 07	67	-	R-20 02	265	-	C-32 11	51
-	S-22 04	290	-	E-04 19	128	-	D-00 09	70	-	R-20 05	270	-	C-32 11	51
-	U-47 05	306	-	P-42 01	221	-	D-00 10	72	-	R-20 11	281	-	C-32 12	54

NUMERICAL INDEX  
INDICE NUMERICO

INDEX NUMERIQUE  
NUMERISCHES ATZTEILVERZEICHNIS  
INDICE NUMERICO

M 39

-	D-00 01	59	-	G-40 06	162	390973X1	X-48 03	333	391025X1	D-00 01	60	-	U-47 03	300
-	D-00 01	59	-	P-42 18	247	390975X1	D-00 15	83	-	P-42 10	232	-	U-47 04	303
-	D-00 01	60	-	R-20 03	268	-	P-42 22	252	391037X1	S-22 03	289	-	U-47 05	305
-	D-00 02	61	-	R-20 111	283	390995X1	D-00 04	63	391038X1	C-32 04	38	-	U-47 05	306
-	D-00 06	66	-	S-22 01	285	-	D-00 07	67	-	C-32 05	39	-	U-47 13	317
-	D-00 11	73	-	S-22 03	289	-	D-00 12	76	-	E-04 17	123	-	X-48 08	338
-	D-00 15	83	-	S-22 07	293	-	D-00 16	84	-	R-20 01	263	391074X1	G-40 14	179
-	E-04 03	91	-	U-47 02	298	-	G-40 07	165	-	R-20 03	268	-	R-20 03	268
-	E-04 03	92	-	U-47 02	299	-	P-42 10	232	-	U-47 05	305	-	R-20 11	281
-	E-04 04	93	-	U-47 04	303	-	X-48 07	337	-	U-47 05	306	-	U-47 13	317
-	E-04 16	121	-	U-47 06	307	-	X-48 08	338	391039X1	C-32 02	36	391112X1	E-04 05	95
-	E-04 17	123	-	U-47 06	307	391001X1	S-22 01	286	-	R-20 09	279	391120X1	X-48 01	330
-	E-04 17	123	-	U-47 13	317	-	S-22 07	293	-	R-20 09	279	391129X1	P-42 07	228
-	E-04 18	124	-	U-47 15	320	-	U-47 18	324	-	R-20 09	279	391148X1	U-47 01	296
-	E-04 22	135	-	U-47 18	324	-	U-47 20	327	-	R-20 11	282	391176X1	C-32 11	51
-	E-04 24	137	-	U-47 20	327	391005X1	C-32 03	37	-	S-22 01	286	391212X1	S-22 03	288
-	G-40 04	158	-	X-48 07	337	-	G-40 09	169	-	S-22 01	286	-	U-47 11	314
-	G-40 05	161	-	X-48 08	338	391006X1	C-32 11	51	-	U-47 01	296	391240X1	E-04 19	128

NUMERICAL INDEX  
INDICE NUMERICO

INDEX NUMERIQUE  
NUMERISCHES ATZTEILVERZEICHNIS  
INDICE NUMERICO

M 40

391244X1	D-00 15	83	-	P-42 19	248	-	S-22 04	290	-	P-42 24	254	392890X1	G-40 02	152
-	D-00 15	83	-	U-47 11	314	-	U-47 05	306	-	Z-36 15	340	392892X1	G-40 01	151
-	P-42 05	226	-	X-48 01	330	-	U-47 06	307	392466X1	E-04 17	123	392898X1	R-20 03	268
391245X1	C-32 02	36	-	X-48 04	334	-	U-47 11	314	392476X1	C-32 07	42	-	R-20 11	281
391269X1	U-47 12	316	391423X1	J-09 03	190	392295X1	E-04 17	123	392483X1	G-40 04	158	-	U-47 12	315
391286X1	C-32 08	44	391838X1	P-42 15	239	392308X1	P-42 11	234	-	G-40 04	158	393116X1	J-09 03	190
391289X1	U-47 04	302	391888X1	S-22 03	288	392309X1	P-42 17	244	392488X1	P-42 07	228	393361X1	E-04 02	89
391327X1	X-48 01	330	391894X1	C-32 01	35	-	P-42 18	246	392490X1	E-04 02	89	393444X1	P-42 06	227
391335X1	G-40 08	167	-	X-48 07	337	-	P-42 18	247	392725X1	G-40 03	154	393565X1	J-09 03	191
-	J-09 05	195	391929X1	E-04 05	95	392310X1	J-09 18	218	392757X1	E-04 14	118	393580X1	E-04 07	101
391382X1	J-09 15	215	391934X1	G-40 03	155	-	P-42 16	243	392758X1	G-40 08	167	393588X1	G-40 08	166
391414X1	C-32 07	42	391979X1	P-42 06	227	392335X1	J-09 03	191	392766X1	E-04 14	118	393596X1	J-09 12	208
-	E-04 02	90	391990X1	S-22 03	289	-	J-09 05	195	392771X1	E-04 13	116	393764X1	E-04 02	90
-	E-04 16	121	392060X1	J-09 03	190	392368X1	X-48 01	330	392798X1	E-04 14	117	-	E-04 16	121
-	J-09 15	215	392152X1	G-40 03	156	392370X1	E-04 24	137	392817X1	J-09 03	190	393850X1	G-40 03	154
-	P-42 07	229	392292X1	U-47 15	320	392439X1	R-20 09	279	392875X1	C-32 07	42	394014X1	J-09 03	190
-	P-42 07	229	392293X1	P-42 23	253	392463X1	P-42 11	234	-	P-42 10	232	394106X1	E-04 04	93
-	P-42 16	243	-	P-42 24	254	-	P-42 23	253	392887X1	G-40 02	152	394209X1	E-04 16	121

NUMERICAL INDEX  
INDICE NUMERICO

INDEX NUMERIQUE  
NUMERISCHES ATZTEILVERZEICHNIS  
INDICE NUMERICO

M 41

-	G-40 06	163	395557X1	G-40 01	149	4115C315	A-05 03	6	4148K012	A-05 06	14	4204938M1	D-00 12	74
-	G-40 09	168	395565X1	E-04 13	113	4115C316	A-05 03	6	4181V015	A-05 04	8	4204939M1	D-00 12	74
-	G-40 14	179	395566X1	E-04 06	98	4115P015	A-05 03	6	4181V016	A-05 02	3	4204940M1	D-00 12	74
-	G-40 15	181	395567X1	E-04 06	98	4115R314	A-05 05	11	4181V017	A-05 03	5	4204941M1	D-00 12	74
-	P-42 03	224	395587X1	P-42 07	229	4115R315	A-05 05	11	4202738M93	D-00 13	78	4204942M1	D-00 12	74
394251X1	J-09 03	191	395588X1	P-42 07	228	4115R611	A-05 05	11	4202739M93	D-00 13	78	4204943M1	D-00 12	74
-	J-09 05	195	395590X1	P-42 16	243	4115R702	A-05 05	11	4202923M3	E-04 04	93	4204944M1	D-00 12	74
394252X1	J-09 03	191	395592X1	E-04 05	95	4128A032	A-05 17	33	4202924M3	E-04 04	93	4204945M1	D-00 12	75
-	J-09 05	195	-	P-42 03	223	4132A012	A-05 14	30	4203096M2	E-04 04	93	4205493M1	J-09 18	218
394306X1	C-32 06	41	-	P-42 03	223	4132F071	A-05 07	17	4203321M2	E-04 03	91	4205521M1	E-04 20	131
394367X1	D-00 01	59	-	P-42 03	223	4133L049	A-05 06	15	-	G-40 04	158	4205698M92	S-22 07	293
-	E-04 17	123	-	P-42 03	224	4133L502	A-05 12	28	-	G-40 04	158	-	U-47 18	324
-	G-40 14	180	4111A028	A-05 06	13	4134C043	A-05 10	23	4204529M2	X-48 01	330	-	U-47 20	327
395551X1	D-00 12	76	4113K005	A-05 02	4	4134E058	A-05 11	25	4204749M1	S-22 03	288	4206197M91	P-42 05	226
-	D-00 12	76	4115C311	A-05 03	5	4134K015	A-05 10	22	4204888M91	D-00 13	79	4206378M1	J-09 02	187
-	D-00 13	78	4115C312	A-05 03	5	4142A501	A-05 06	13	4204889M91	D-00 13	79	4206662M91	U-47 12	315
-	D-00 13	79	4115C313	A-05 03	5	4142X098	A-05 10	23	4204936M91	D-00 12	74	4206678M1	J-09 02	187
-	D-00 15	82	4115C314	A-05 03	6	4142X301	A-05 10	22	4204937M91	D-00 12	74	4206680M1	G-40 11	174

Landini Rex tier 2 fp/cab 80 f/ge -  
desp. 4207965m1

NUMERICAL INDEX  
INDICE NUMERICO

INDEX NUMERIQUE  
NUMERISCHES ATZTEILVERZEICHNIS  
INDICE NUMERICO

M 42

4206690M1	J-09 02	187	4207495M1	J-09 14	213	973078M2	C-32 13	55	979877M91	J-09 01	184
4206691M91	J-09 02	187	4207496M1	J-09 14	213	-	P-42 10	232	981970M2	G-40 05	160
4207352M1	J-09 12	207	4207500M1	J-09 12	207	973079M1	C-32 13	55	DD39165	A-05 011	2
4207353M1	J-09 12	207	4207501M91	P-42 05	226	-	P-42 10	232	L311FF02	A-05 08	18
4207365M1	J-09 12	207	4213708M91	Z-36 15	340	973144M1	E-04 02	89	-	A-05 18	34
4207366M1	J-09 12	208	-	Z-36 151	342	973267M2	E-04 23	136	U5LB0379	A-05 18	34
4207367M1	J-09 12	208	4217063M91	Z-36 20	343	973454M1	E-04 13	113	U5LT0351	A-05 18	34
4207368M1	J-09 12	208	-	Z-36 201	344	974353M1	J-09 03	191	U5MB0019	A-05 03	5
4207370M1	J-09 12	208	450519A1	C-32 14	57	974435M2	E-04 27	142	U5ME0018	A-05 03	5
4207486M1	J-09 12	208	731434M1	E-04 05	95	974436M2	E-04 18	124	U5MK1021	A-05 14	30
4207487M1	J-09 12	208	831789M1	E-04 06	96	974743M1	E-04 20	131	U5MW0197	A-05 12	27
4207488M1	J-09 12	208	-	E-04 13	116	974809M1	E-04 05	95	U7LW0174	A-05 12	27
4207489M1	J-09 12	208	-	E-04 20	131	-	J-09 03	191	UPRK0002	A-05 03	6
4207490M1	J-09 12	208	835126M1	P-42 07	228	975208M1	J-09 03	189	VP108193	C-32 10	49
4207491M1	J-09 12	208	908543M1	D-00 12	76	-	J-09 03	189			
4207492M1	J-09 12	208	-	D-00 12	76	975528M1	E-04 16	121			
4207493M1	J-09 13	212	908605M1	G-40 14	179	-	G-40 06	162			
4207494M1	J-09 13	211	-	G-40 15	181	979469M1	E-04 06	97			

Landini Rex tier 2 fp/cab 80 f/ge -  
desp. 4207965m1