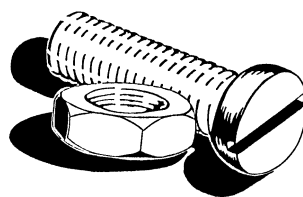


---

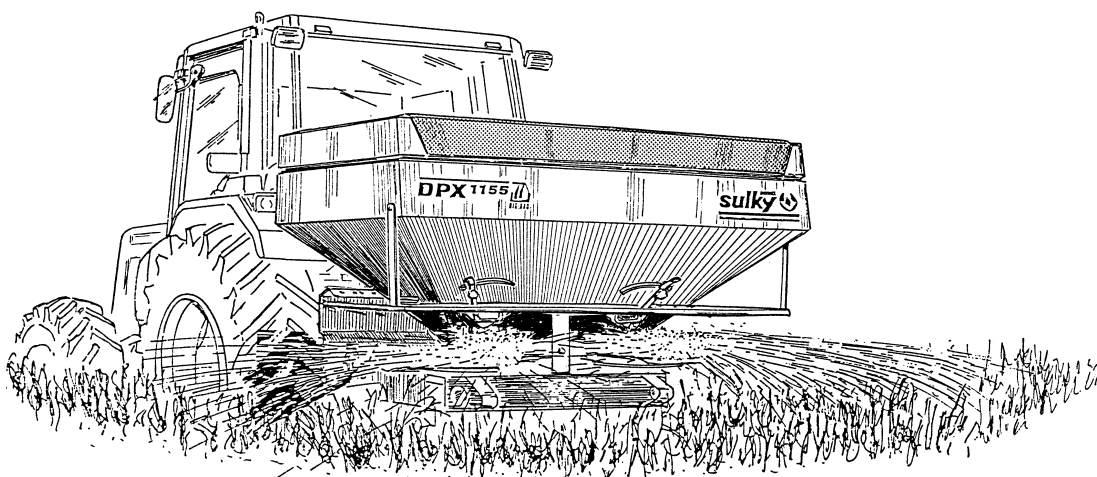
**605 - 805 - 1155 - 1205 - 1505 - 1805 - 2005**

**DPX**

PIÈCES DE RECHANGE  
SPARE PARTS  
ERSATZTEILE



Réf: 400 016 - EU / DP / R-00



---

**Sulky Burel S.A.**

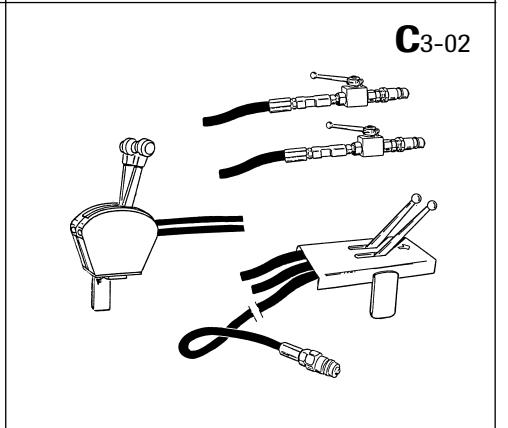
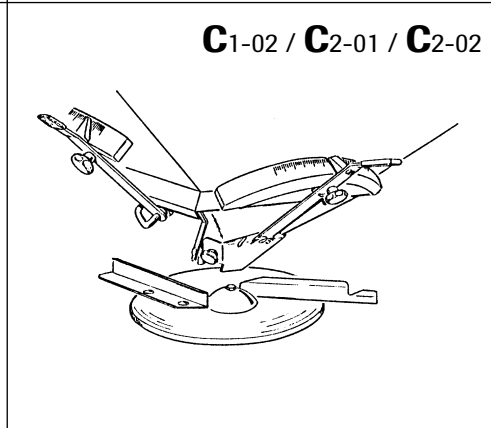
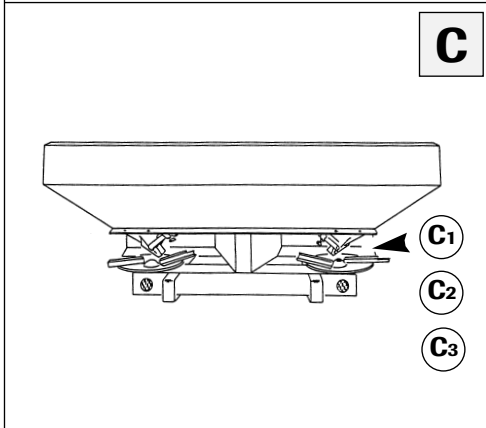
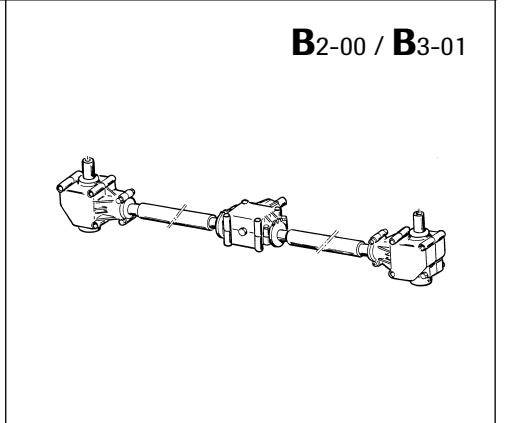
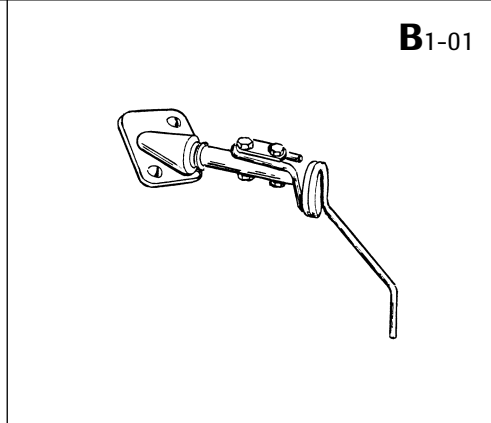
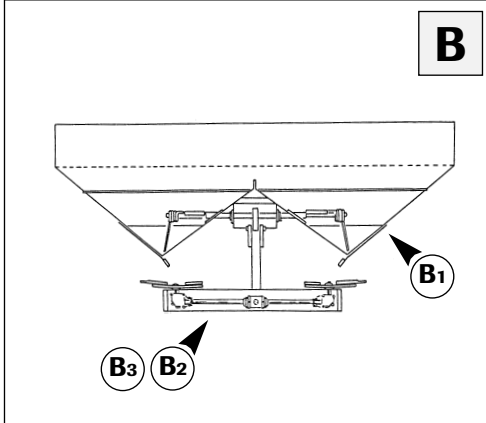
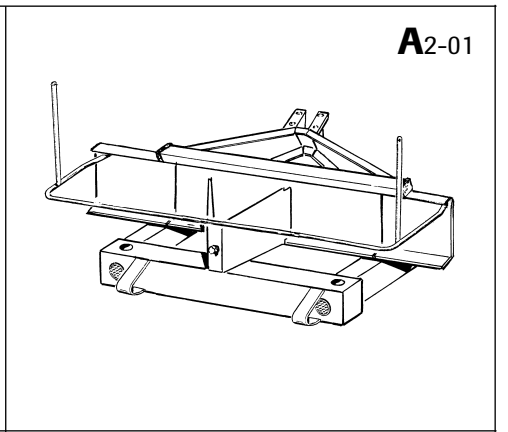
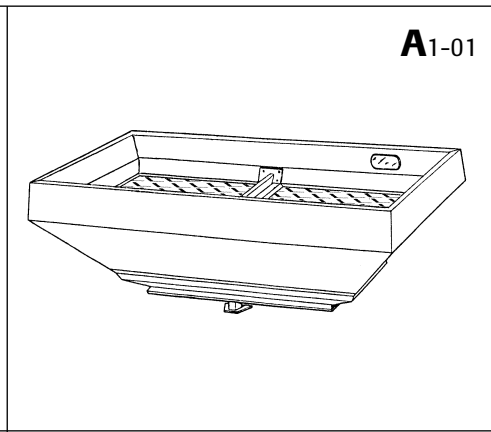
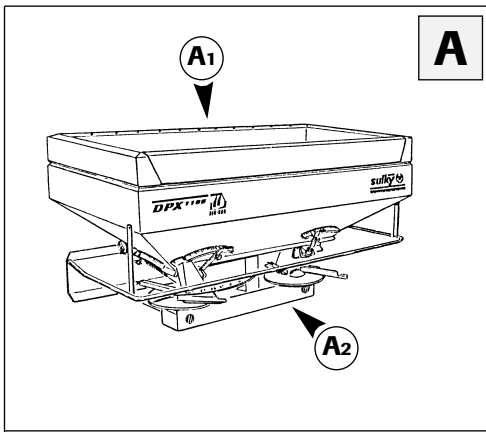
BP 4 - rue Fabien Burel - 35221 Châteaubourg - FRANCE

Téléphone : 02.99.00.84.84 - Fax 02.99.62.39.38

Site Web : [WWW.Sulky-Burel.com](http://WWW.Sulky-Burel.com)

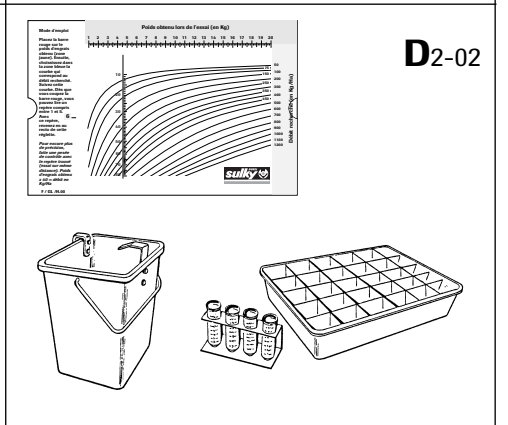
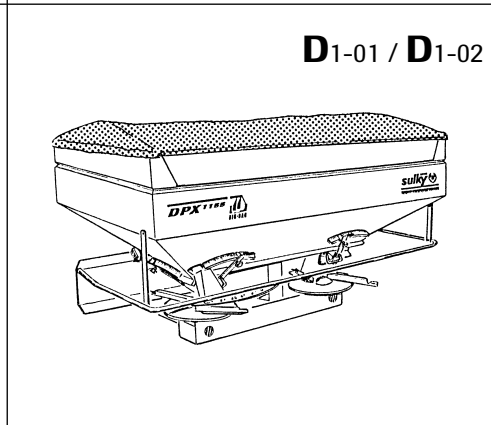
E-mail : [Info@Sulky-Burel.com](mailto:Info@Sulky-Burel.com)

---



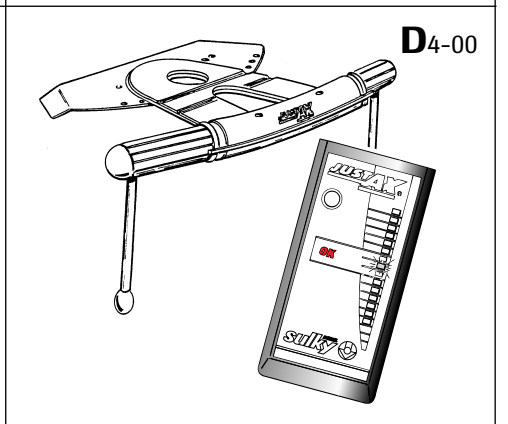
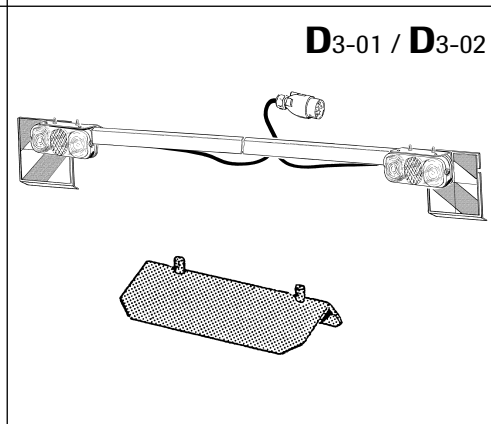
**D**

Accessoires  
Options  
Zusatzausrüstung



**E**

Accessoires  
Options  
Zusatzausrüstung



**LISTING CODE CATALOGUE PIÈCES DPX-05**

| CODE    | PLANCHE | REP. |
|---------|---------|------|
| 208 800 | D4-00   | 1    |
| 209 440 | D2-02   | B    |
| 209 450 | D2-02   | A    |
| 209 545 | D3-01   | 11   |
| 209 800 | D3-01   | 12   |
| 209 800 | D3-02   | 14   |
| 209 820 | C2-01   | A    |
| 209 820 | C2-02   | A    |
| 209 830 | C2-01   | B    |
| 209 830 | C2-01   | C    |
| 209 830 | C2-02   | B    |
| 209 830 | C2-02   | C    |
| 209 870 | C2-02   | D    |
| 209 880 | C2-02   | E    |
| 209 890 | C2-02   | F    |
| 306 100 | D1-01   | 1    |
| 306 100 | D1-02   | 1    |
| 306 200 | D1-01   | 1    |
| 306 200 | D1-02   | 1    |
| 415 719 | A2-01   | 12   |
| 415 722 | A2-01   | 12   |
| 415 725 | C2-01   | 4    |
| 415 725 | C2-02   | 4    |
| 415 730 | D1-02   | 14   |
| 415 750 | C1-02   | 20   |
| 415 750 | C2-01   | 30   |
| 415 750 | C2-02   | 30   |
| 415 752 | A1-01   | 7    |
| 479 097 | C3-02   | 8    |
| 479 100 | C3-02   | A    |
| 551 770 | A2-01   | 8    |
| 551 770 | A2-01   | 14   |
| 551 770 | D1-01   | 10   |
| 551 770 | D1-02   | 8    |
| 551 770 | D1-02   | 16   |
| 551 770 | D2-02   | 6    |
| 551 795 | B1-01   | 15   |
| 551 795 | D1-02   | 7    |
| 551 858 | B2-00   | 21   |
| 552 056 | B2-00   | 36   |
| 552 056 | B3-01   | 35   |
| 553 845 | B2-00   | 40   |
| 553 845 | B3-01   | 2    |
| 558 235 | A1-01   | 8    |
| 558 460 | B1-01   | 2    |
| 558 470 | B1-01   | 3    |
| 558 665 | D1-01   | 11   |
| 558 665 | D1-02   | 9    |
| 558 665 | D1-02   | 17   |
| 558 715 | C1-02   | 10   |
| 558 715 | C1-02   | 15   |
| 558 715 | C2-01   | 4    |
| 558 715 | C2-02   | 4    |

| CODE    | PLANCHE | REP. |
|---------|---------|------|
| 558 812 | C1-02   | 19   |
| 558 816 | D1-02   | 15   |
| 558 830 | D1-01   | 9    |
| 558 830 | D3-02   | 11   |
| 558 916 | C2-01   | 29   |
| 558 916 | C2-02   | 29   |
| 558 920 | C2-01   | 5    |
| 558 920 | C2-02   | 5    |
| 558 925 | B1-01   | 1    |
| 558 925 | C2-01   | 25   |
| 558 925 | C2-02   | 25   |
| 558 925 | C2-02   | 25   |
| 558 925 | C2-02   | 25   |
| 558 925 | C2-02   | 25   |
| 558 925 | C2-02   | 25   |
| 558 925 | D1-02   | 11   |
| 558 925 | D3-02   | 12   |
| 559 020 | C2-01   | 9    |
| 559 020 | C2-02   | 9    |
| 559 030 | A2-01   | 8    |
| 559 060 | A1-01   | 9    |
| 559 060 | C1-02   | 21   |
| 571 256 | C1-02   | 22   |
| 571 256 | C2-01   | 4    |
| 571 256 | C2-02   | 4    |
| 571 256 | D1-01   | 11   |
| 571 256 | D1-02   | 17   |
| 571 256 | D3-02   | 18   |
| 571 258 | A2-01   | 8    |
| 571 258 | B2-00   | 40   |
| 571 258 | B3-01   | 2    |
| 571 258 | D1-01   | 9    |
| 571 258 | D1-01   | 10   |
| 571 258 | D1-02   | 7    |
| 571 258 | D1-02   | 8    |
| 571 258 | D1-02   | 9    |
| 571 258 | D1-02   | 11   |
| 571 258 | D1-02   | 16   |
| 571 258 | D2-02   | 6    |
| 571 258 | D3-02   | 11   |
| 571 260 | A1-01   | 9    |
| 571 260 | A2-01   | 8    |
| 571 260 | B2-00   | 33   |
| 571 260 | B3-01   | 35   |
| 571 260 | D3-02   | 18   |
| 571 260 | D3-02   | 18   |
| 571 262 | A1-01   | 8    |
| 571 262 | D3-02   | 12   |
| 571 264 | B1-01   | 18   |
| 571 278 | A2-01   | 14   |
| 571 278 | D1-02   | 7    |
| 571 278 | D1-02   | 15   |
| 571 278 | D3-02   | 12   |
| 571 408 | B1-01   | 16   |

| CODE    | PLANCHE | REP. |
|---------|---------|------|
| 571 408 | C2-01   | 27   |
| 571 408 | C2-02   | 27   |
| 571 408 | C2-02   | 27   |
| 571 408 | C2-02   | 27   |
| 571 408 | C2-02   | 27   |
| 573 208 | D1-02   | 7    |
| 573 364 | B1-01   | 4    |
| 573 804 | C2-01   | 1    |
| 573 804 | C2-02   | 1    |
| 573 808 | C2-01   | 4    |
| 573 808 | C2-02   | 4    |
| 573 808 | D1-02   | 11   |
| 573 808 | D1-02   | 15   |
| 573 808 | D1-02   | 16   |
| 573 808 | D3-02   | 11   |
| 573 808 | D3-02   | 12   |
| 573 810 | A1-01   | 9    |
| 573 810 | B2-00   | 35   |
| 573 810 | B3-01   | 24   |
| 573 810 | C1-02   | 7    |
| 573 810 | C2-01   | 5    |
| 573 810 | C2-01   | 26   |
| 573 810 | C2-02   | 5    |
| 573 810 | C2-02   | 26   |
| 573 810 | C2-02   | 26   |
| 573 810 | C2-02   | 26   |
| 573 810 | C2-02   | 26   |
| 573 812 | A1-01   | 8    |
| 573 814 | D3-01   | 15   |
| 573 814 | D3-02   | 17   |
| 573 856 | D1-01   | 11   |
| 573 856 | D1-02   | 9    |
| 573 856 | D1-02   | 17   |
| 573 856 | D3-02   | 18   |
| 573 860 | C1-02   | 16   |
| 574 248 | B2-00   | 31   |
| 574 248 | B3-01   | 32   |
| 574 280 | B2-00   | 28   |
| 574 280 | B3-01   | 29   |
| 590 106 | B2-00   | 38   |
| 590 106 | B3-01   | 28   |
| 590 207 | B2-00   | 24   |
| 590 207 | B3-01   | 14   |
| 590 207 | B3-01   | 37   |
| 590 308 | B2-00   | 37   |
| 590 308 | B3-01   | 27   |
| 590 407 | B2-00   | 25   |
| 590 407 | B3-01   | 13   |
| 590 407 | B3-01   | 37   |
| 592 701 | C2-01   | 8    |
| 592 701 | C2-02   | 8    |
| 598 140 | C2-01   | 1    |
| 598 140 | C2-02   | 1    |

**LISTING CODE CATALOGUE PIÈCES DPX-05**

| CODE    | PLANCHE | REP. |
|---------|---------|------|
| 663 154 | D3-02   | 19   |
| 683 014 | C3-02   | C    |
| 683 015 | C3-02   | B    |
| 687 804 | D1-02   | 13   |
| 711 001 | B2-00   | 7    |
| 711 001 | B3-01   | 7    |
| 711 007 | B2-00   | 29   |
| 711 007 | B3-01   | 30   |
| 719 001 | B2-00   | 30   |
| 719 001 | B3-01   | 31   |
| 720 111 | D3-01   | 4    |
| 720 111 | D3-02   | 4    |
| 720 112 | D3-01   | 10   |
| 720 112 | D3-02   | 10   |
| 720 151 | C3-02   | 1    |
| 720 152 | C3-02   | 1    |
| 734 001 | B1-01   | 17   |
| 752 202 | B1-01   | 10   |
| 790 010 | A2-01   | 11   |
| 793 010 | D2-02   | 8    |
| 793 011 | D2-02   | 11   |
| 793 012 | D2-02   | 10   |
| 795 041 | C3-02   | 16   |
| 795 049 | C3-02   | 17   |
| 795 055 | C3-02   | 12   |
| 795 055 | C3-02   | 22   |
| 795 170 | C3-02   | 13   |
| 795 214 | C3-02   | 14   |
| 795 218 | C3-02   | 21   |
| 795 219 | C3-02   | 20   |
| 795 225 | C3-02   | 15   |
| 795 300 | C3-02   | 19   |
| 795 350 | C3-02   | 27   |
| 795 512 | C3-02   | 18   |
| 795 994 | B2-00   | 39   |
| 796 001 | B3-01   | 34   |
| 836 000 | A2-01   | 3    |
| 836 001 | A2-01   | 2    |
| 836 006 | D3-01   | 6    |
| 836 006 | D3-02   | 6    |
| 836 007 | D3-01   | 5    |
| 836 007 | D3-02   | 5    |
| 878 076 | C1-02   | 17   |
| 880 999 | B1-01   | 8    |
| 900 010 | A2-01   | 5    |
| 900 010 | C1-02   | 7    |
| 900 052 | B2-00   | 41   |
| 900 052 | B3-01   | 40   |
| 900 791 | A1-01   | 1    |
| 900 792 | A1-01   | 1    |
| 900 805 | A2-01   | 1    |
| 900 891 | C2-01   | 11   |
| 900 891 | C2-02   | 11   |

| CODE    | PLANCHE | REP. |
|---------|---------|------|
| 901 000 | B1-01   | 11   |
| 901 012 | A2-01   | 13   |
| 901 012 | D1-02   | 12   |
| 901 039 | B2-00   | 34   |
| 901 039 | B3-01   | 36   |
| 901 216 | B2-00   | 17   |
| 901 216 | B3-01   | 38   |
| 901 553 | D1-01   | 6    |
| 901 553 | D1-01   | 6    |
| 901 553 | D1-02   | 6    |
| 901 578 | C3-02   | 11   |
| 901 964 | D1-01   | 8    |
| 901 964 | D1-01   | 8    |
| 901 998 | B2-00   | 27   |
| 901 998 | B3-01   | 26   |
| 903 001 | B1-01   | 14   |
| 903 039 | B1-01   | 13   |
| 903 401 | B2-00   | 26   |
| 903 401 | B3-01   | 25   |
| 904 910 | D2-02   | 9    |
| 904 920 | D1-01   | 7    |
| 904 920 | D1-01   | 7    |
| 904 920 | D1-02   | 10   |
| 906 330 | C3-02   | 2    |
| 906 330 | D4-00   | 15   |
| 906 407 | C3-02   | 4    |
| 907 021 | A2-01   | 6    |
| 907 030 | A2-01   | 4    |
| 907 767 | B2-00   | 1    |
| 907 771 | A2-01   | 4    |
| 908 076 | C3-02   | 6    |
| 908 381 | A1-01   | 5    |
| 908 407 | C2-01   | 16   |
| 908 407 | C2-02   | 16   |
| 908 408 | C2-01   | 14   |
| 908 408 | C2-02   | 14   |
| 908 409 | C2-01   | 15   |
| 908 409 | C2-02   | 15   |
| 908 410 | C2-01   | 13   |
| 908 410 | C2-02   | 13   |
| 909 111 | A2-01   | 15   |
| 909 189 | D1-01   | 5    |
| 909 189 | D1-02   | 5    |
| 909 191 | D2-02   | 12   |
| 909 192 | D2-02   | 13   |
| 909 196 | D1-01   | 5    |
| 909 196 | D1-02   | 5    |
| 909 728 | C2-01   | 12   |
| 909 728 | C2-02   | 12   |
| 909 811 | D1-01   | 4    |
| 909 811 | D1-02   | 4    |
| 909 812 | D1-01   | 3    |
| 909 812 | D1-02   | 3    |

| CODE    | PLANCHE | REP. |
|---------|---------|------|
| 909 813 | D1-01   | 2    |
| 909 813 | D1-02   | 2    |
| 909 864 | D1-01   | 2    |
| 909 864 | D1-02   | 2    |
| 909 866 | D1-01   | 3    |
| 909 866 | D1-02   | 3    |
| 909 867 | D1-01   | 4    |
| 909 867 | D1-02   | 4    |
| 909 877 | A2-01   | 1    |
| 909 879 | A1-01   | 3    |
| 909 880 | A1-01   | 3    |
| 909 881 | C3-02   | 3    |
| 909 881 | D4-00   | 10   |
| 909 993 | A2-01   | 9    |
| 910 069 | B2-00   | 12   |
| 910 069 | B3-01   | 6    |
| 910 070 | B1-01   | 19   |
| 910 070 | B2-00   | 13   |
| 910 070 | B3-01   | 8    |
| 910 124 | B2-00   | 6    |
| 910 124 | B3-01   | 3    |
| 910 125 | B2-00   | 3    |
| 910 125 | B3-01   | 15   |
| 910 126 | B2-00   | 4    |
| 910 126 | B3-01   | 16   |
| 910 130 | B2-00   | 18   |
| 910 130 | B3-01   | 18   |
| 910 132 | B2-00   | 20   |
| 910 132 | B3-01   | 17   |
| 910 133 | B2-00   | 16   |
| 910 133 | B3-01   | 20   |
| 910 134 | B2-00   | 23   |
| 910 138 | B2-00   | 19   |
| 910 140 | B2-00   | 22   |
| 910 155 | B2-00   | 15   |
| 910 155 | B3-01   | 4    |
| 910 157 | B2-00   | 14   |
| 910 157 | B3-01   | 9    |
| 910 160 | B2-00   | 9    |
| 910 161 | B2-00   | 10   |
| 910 161 | B3-01   | 5    |
| 910 162 | B2-00   | 11   |
| 910 163 | B2-00   | 8    |
| 910 163 | B3-01   | 10   |
| 910 164 | B2-00   | 2    |
| 910 164 | B3-01   | 1    |
| 910 165 | B2-00   | 5    |
| 910 180 | B3-01   | 23   |
| 910 211 | B1-01   | 5    |
| 910 268 | D3-01   | 16   |
| 910 295 | B1-01   | 9    |
| 910 436 | B3-01   | 23   |
| 910 484 | D4-00   | 14   |

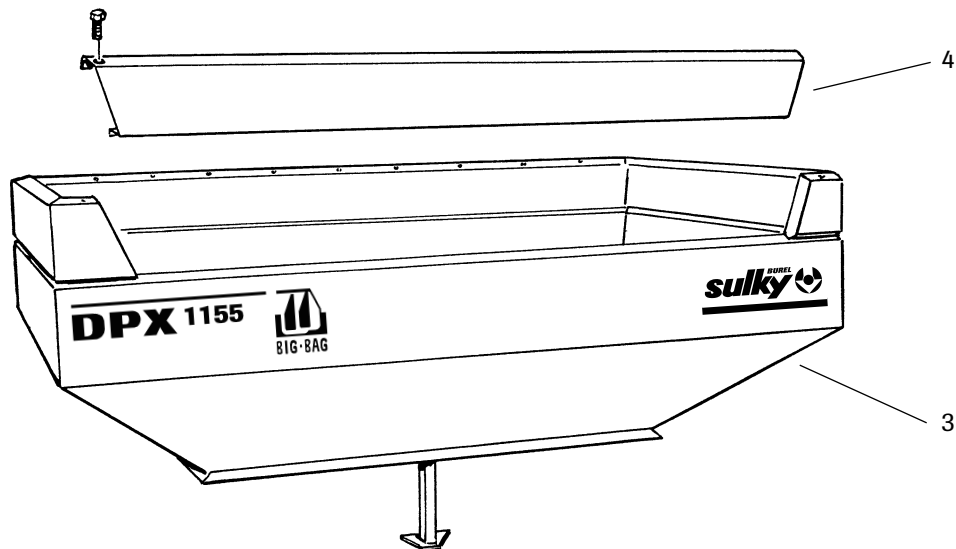
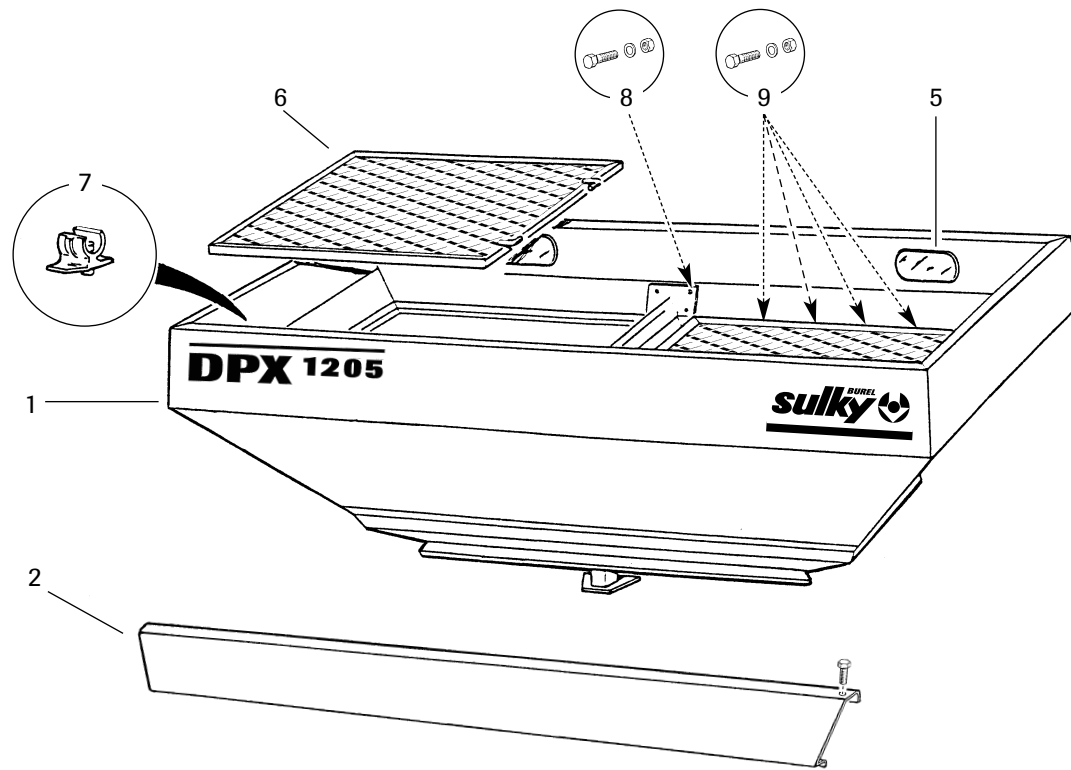
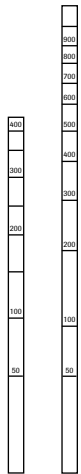
**LISTING CODE CATALOGUE PIÈCES DPX-05**

| CODE    | PLANCHE | REP. |
|---------|---------|------|
| 910 493 | D2-02   | 7    |
| 910 493 | D3-01   | 14   |
| 910 493 | D3-02   | 16   |
| 910 494 | A2-01   | 10   |
| 914 090 | C1-02   | 13   |
| 914 091 | C1-02   | 13   |
| 914 108 | D2-02   | 4    |
| 916 101 | D2-02   | 3    |
| 916 115 | C2-02   | 31   |
| 916 116 | C2-02   | 32   |
| 916 117 | C2-02   | 33   |
| 916 120 | B1-01   | 7    |
| 916 121 | B1-01   | 6    |
| 917 107 | C3-02   | 28   |
| 917 136 | D4-00   | 2    |
| 917 162 | A2-01   | 18   |
| 917 163 | A2-01   | 18   |
| 918 034 | A2-01   | 7    |
| 918 170 | C2-01   | 3    |
| 918 170 | C2-02   | 3    |
| 918 171 | D3-01   | 3    |
| 918 178 | C1-02   | 3    |
| 918 179 | C1-02   | 4    |
| 918 209 | D4-00   | 6    |
| 919 052 | A1-01   | 6    |
| 919 077 | A1-01   | 3    |
| 919 080 | C2-01   | 2    |
| 919 080 | C2-02   | 2    |
| 919 081 | C2-01   | 2    |
| 919 081 | C2-02   | 2    |
| 919 082 | C1-02   | 1    |
| 919 083 | C1-02   | 1    |
| 919 095 | D3-01   | 13   |
| 919 095 | D3-02   | 15   |
| 919 101 | A1-01   | 1    |
| 921 070 | C1-02   | 14   |
| 921 071 | C1-02   | 9    |
| 922 007 | B3-01   | 12   |
| 922 054 | B3-01   | 39   |
| 925 054 | C1-02   | 8    |
| 926 003 | B2-00   | 32   |
| 926 003 | B3-01   | 33   |
| 926 012 | C2-01   | 28   |
| 926 012 | C2-02   | 28   |
| 935 004 | C2-01   | 10   |
| 935 004 | C2-02   | 10   |
| 935 005 | C1-02   | 2    |
| 936 001 | B3-01   | 21   |
| 936 002 | B3-01   | 19   |
| 936 021 | B3-01   | 11   |
| 936 028 | B3-01   | 22   |
| 951 226 | D4-00   | 11   |
| 951 249 | A2-01   | 13   |

| CODE    | PLANCHE | REP. |
|---------|---------|------|
| 952 123 | D3-02   | 2    |
| 953 069 | C1-02   | 18   |
| 953 073 | C1-02   | 18   |
| 957 062 | D4-00   | 13   |
| 962 017 | C3-02   | 5    |
| 962 017 | D4-00   | 12   |
| 962 094 | D3-01   | 2    |
| 963 116 | C1-02   | 5    |
| 963 116 | C2-01   | 7    |
| 963 116 | C2-02   | 7    |
| 964 073 | C1-02   | 12   |
| 965 082 | D2-02   | 2    |
| 966 017 | D3-02   | 13   |
| 967 070 | C3-02   | 25   |
| 967 104 | D3-02   | 3    |
| 967 105 | D3-02   | 3    |
| 968 005 | C1-02   | 6    |
| 968 005 | C2-01   | 6    |
| 968 005 | C2-02   | 6    |
| 968 006 | C1-02   | 6    |
| 968 006 | C2-01   | 6    |
| 968 006 | C2-02   | 6    |
| 972 080 | D3-01   | 7    |
| 972 082 | D3-01   | 8    |
| 972 082 | D3-02   | 8    |
| 972 091 | A2-01   | 17   |
| 972 103 | D3-02   | 7    |
| 974 025 | A1-01   | 4    |
| 974 038 | A1-01   | 2    |
| 980 304 | B1-01   | 12   |
| 980 702 | B3-01   | A    |
| 980 703 | B3-01   | B    |
| 980 755 | C3-02   | 10   |
| 980 757 | C3-02   | 7    |
| 980 758 | C3-02   | 9    |
| 980 813 | C2-01   | 20   |
| 980 813 | C2-01   | 24   |
| 980 813 | C2-02   | 20   |
| 980 813 | C2-02   | 24   |
| 980 814 | C2-01   | 18   |
| 980 814 | C2-01   | 22   |
| 980 814 | C2-02   | 18   |
| 980 814 | C2-02   | 22   |
| 980 818 | C2-01   | 17   |
| 980 818 | C2-01   | 21   |
| 980 818 | C2-02   | 17   |
| 980 818 | C2-02   | 21   |
| 980 819 | C2-01   | 19   |
| 980 819 | C2-01   | 23   |
| 980 819 | C2-02   | 19   |
| 980 819 | C2-02   | 23   |
| 981 009 | C3-02   | 24   |
| 981 202 | D4-00   | 7    |

| CODE    | PLANCHE | REP. |
|---------|---------|------|
| 982 302 | C3-02   | 23   |
| 983 800 | D3-01   | 1    |
| 983 807 | D3-01   | 9    |
| 983 807 | D3-02   | 9    |
| 983 812 | D3-02   | 1    |
| 984 902 | C3-02   | 1    |
| 984 906 | D4-00   | 9    |
| 985 018 | C1-02   | 11   |
| 985 019 | C1-02   | 11   |
| 985 020 | C2-01   | 1    |
| 985 020 | C2-02   | 1    |
| 985 021 | D4-00   | 8    |
| 985 217 | D2-02   | 5    |
| 985 221 | C2-01   | 5    |
| 985 221 | C2-02   | 5    |
| 985 602 | D4-00   | 4    |
| 985 603 | D4-00   | 5    |
| 988 036 | A2-01   | 16   |
| 988 051 | D4-00   | 3    |
| 988 207 | A1-01   | 10   |
| 988 208 | A1-01   | 10   |
| 989 011 | D2-02   | 1    |
| 989 012 | D2-02   | 1    |
| 989 013 | D2-02   | 1    |

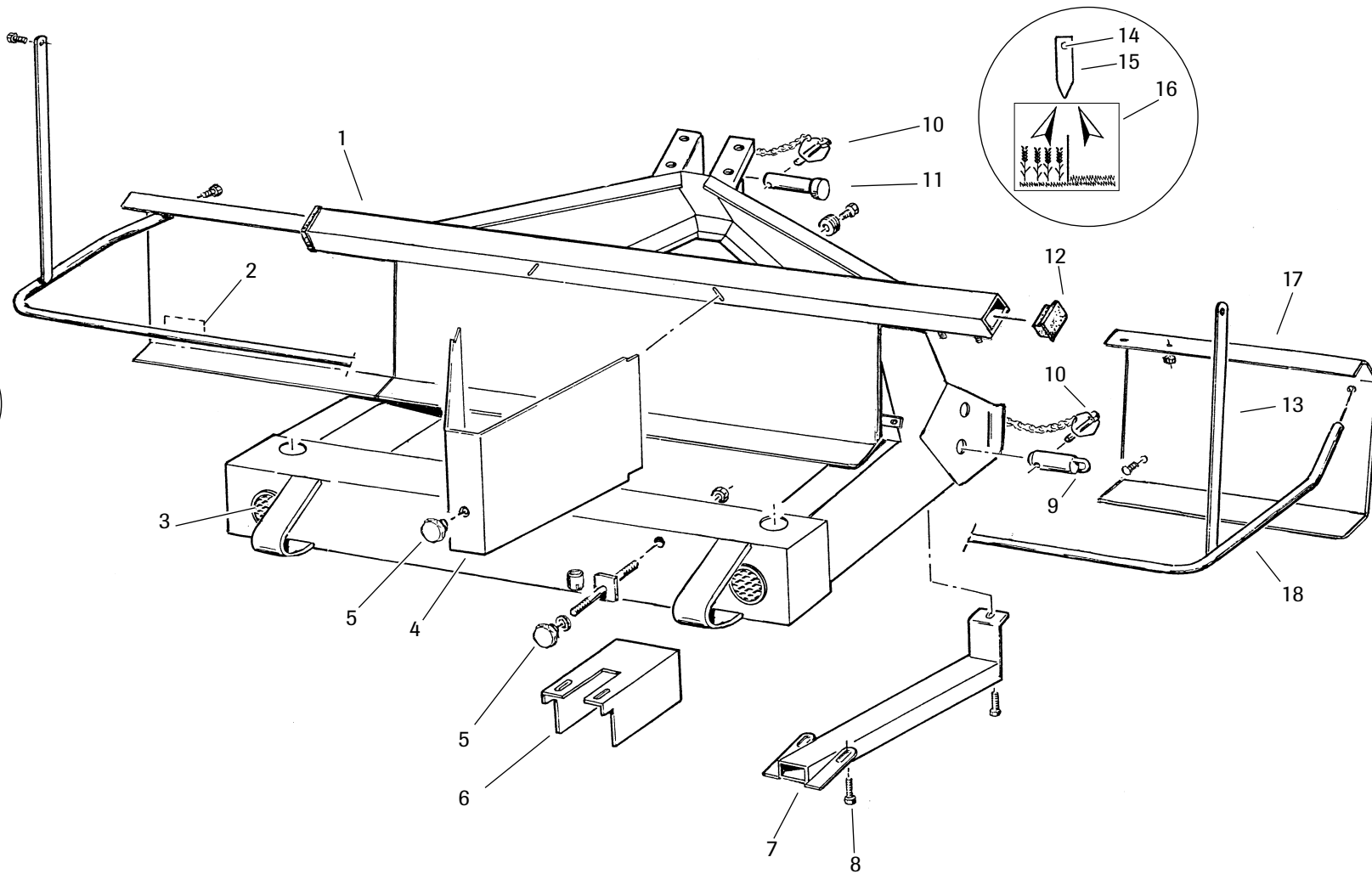
10



| Rep. | Code    | Désignation                         |
|------|---------|-------------------------------------|
| 1    | 900 792 | Trémie 1205                         |
|      | 900 791 | Trémie 1505                         |
|      | 919 101 | Trémie 1805                         |
| 2    | 974 038 | Hayon 2005                          |
| 3    | 909 880 | Trémie 605                          |
|      | 909 879 | Trémie 805                          |
|      | 919 077 | Trémie 1155                         |
| 4    | 974 025 | Hayon 1155                          |
| 5    | 908 381 | Hublot avec joint                   |
| 6    | 919 052 | Tamis                               |
| 7    | 415 752 | Clip plastique                      |
| 8    | 558 235 | Vis H12 x 35 inox                   |
|      | 571 262 | Ecrou H 12 inox                     |
|      | 573 812 | Rondelle M12 inox                   |
| 9    | 559 060 | Vis H 10 x 60 inox FST              |
|      | 571 260 | Ecrou H 10 inox                     |
|      | 573 810 | Rondelle M10 inox                   |
| 10   | 988 207 | Autocollant capacité 605-805-1155   |
|      | 988 208 | Autocollant capacité 1205-1505-2005 |

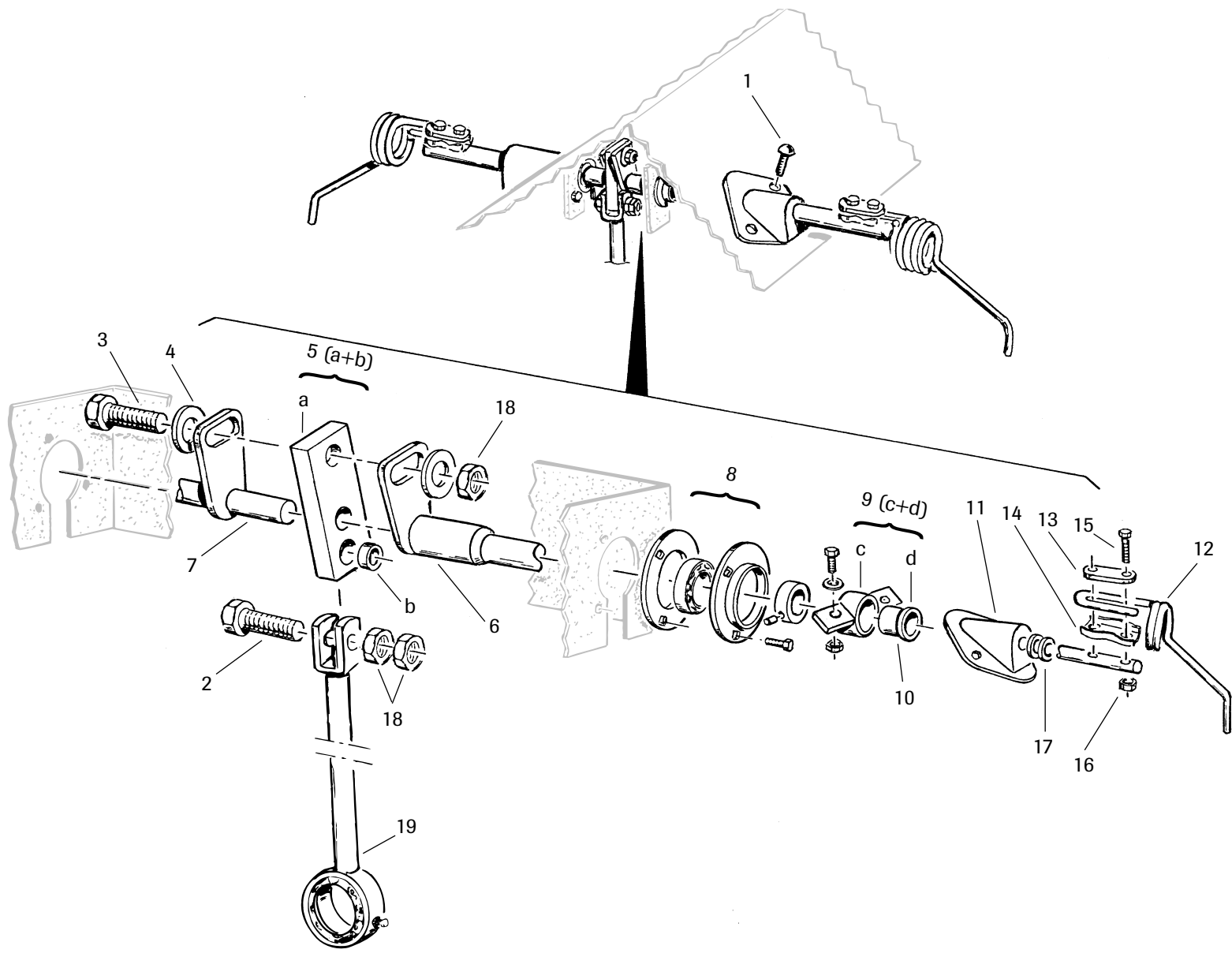
A1-01

A2-01



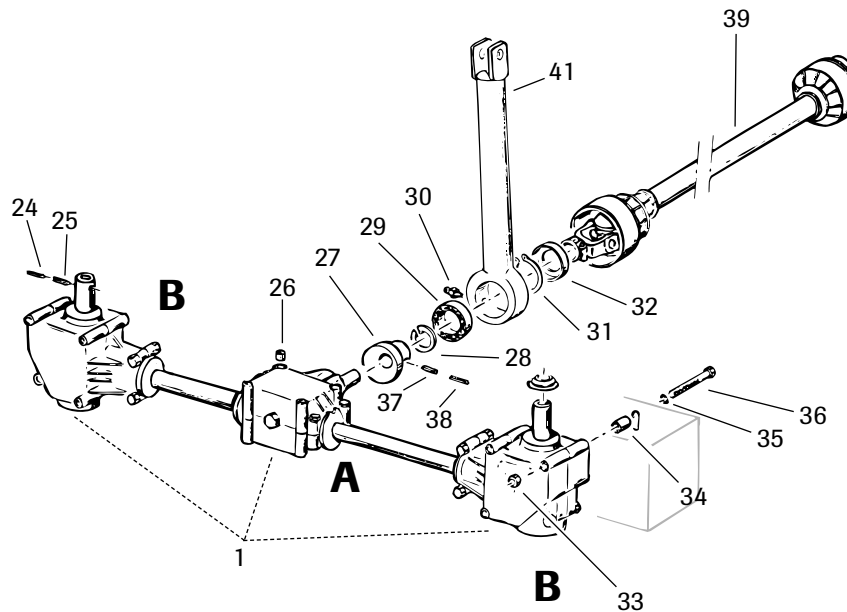
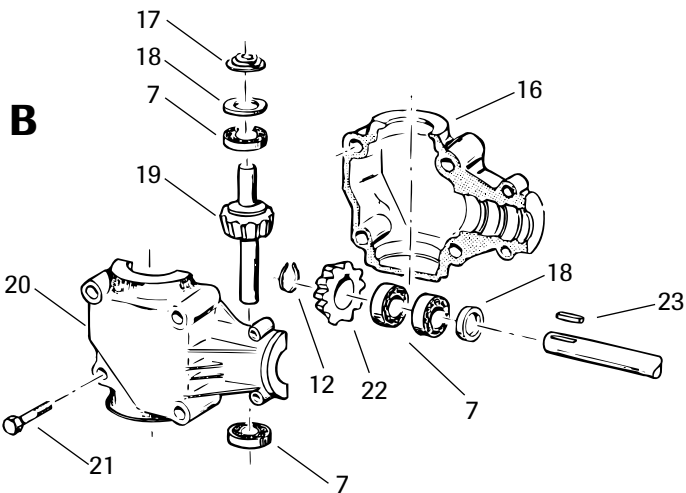
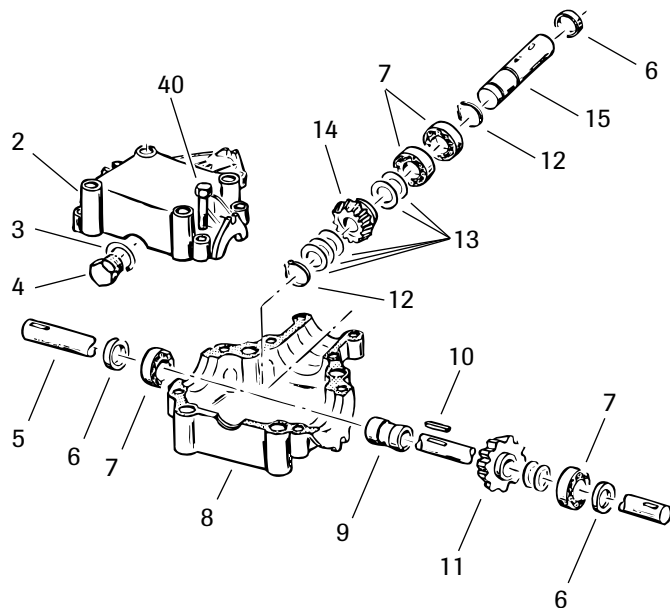
| Rep. | Code    | Désignation                    |
|------|---------|--------------------------------|
| 1    | 909 877 | Bâti 605 ⇒ 1155                |
|      | 900 805 | Bâti 1205 ⇒ 2005               |
| 2    | 836 001 | Catadioptre avant              |
| 3    | 836 000 | Catadioptre arrière            |
| 4    | 907 030 | Carter central<br>605 ⇒ 1155   |
|      | 907 771 | Carter central<br>1205 ⇒ 2005  |
| 5    | 900 010 | Poignée                        |
| 6    | 907 021 | Carter de protection<br>cardan |
| 7    | 918 034 | Béquille 05                    |
| 8    | 551 770 | Vis H 8 x 20 inox              |
|      | 571 258 | Ecrou H 8 inox                 |
|      | 559 030 | Vis H 10 x 30 inox             |
|      | 571 260 | Ecrou H 10 inox                |
| 9    | 909 993 | Broche inf. d'attelage         |
| 10   | 910 494 | Clips avec chaînette<br>Ø10,5  |
| 11   | 790 010 | Broche sup. d'attelage         |
| 12   | 415 722 | Bouchon poutre 100 x 50        |
|      | 415 719 | Bouchon 80 x 40                |
| 13   | 901 012 | Tirant 605 ⇒ 1155              |
|      | 951 249 | Tirant 1205 ⇒ 2005             |
| 14   | 551 770 | Vis H8 x 20 inox               |
|      | 571 278 | Ecrou Hm8 inox                 |
| 15   | 909 111 | Flèche de niveau               |
| 16   | 988 036 | Autocollant d'aplomb           |
| 17   | 972 091 | Déflexeur                      |
| 18   | 917 162 | Arceau 605 ⇒ 1155              |
|      | 917 163 | Arceau 1205 ⇒ 2005             |

B1-01



| Rep. | Code    | Désignation               |
|------|---------|---------------------------|
| 1    | 558 925 | Vis TRCC 8 x 25 inox      |
| 2    | 558 460 | Vis H14 x 60 inox         |
| 3    | 558 470 | Vis H14 x 70 inox         |
| 4    | 573 364 | Rondelle L14 N inox       |
| 5    | 910 211 | Levier                    |
|      | (a+b)   |                           |
| 6    | 916 121 | Arbre agitateur long      |
| 7    | 916 120 | Arbre agitateur court     |
| 8    | 880 999 | Palier autoaligneur GRA20 |
| 9    | 910 295 | Palier                    |
|      | (c+d)   |                           |
| 10   | 752 202 | Bague Calcar BP 25C       |
| 11   | 901 000 | Platine                   |
| 12   | 980 304 | Agitateur GL              |
| 13   | 903 039 | Plaque fixation           |
| 14   | 903 001 | Cale agitateur            |
| 15   | 551 795 | Vis H8 x 45 inox          |
| 16   | 571 408 | Ecrou frein nylon H8 inox |
| 17   | 734 001 | Joint O-Ring (V205)       |
| 18   | 571 264 | Ecrou H14 inox            |
| 19   | 910 070 | Biellette montée          |



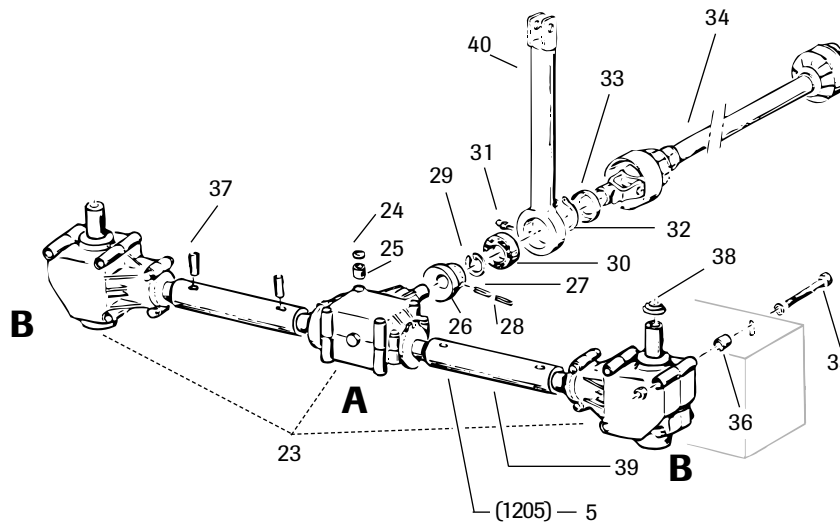
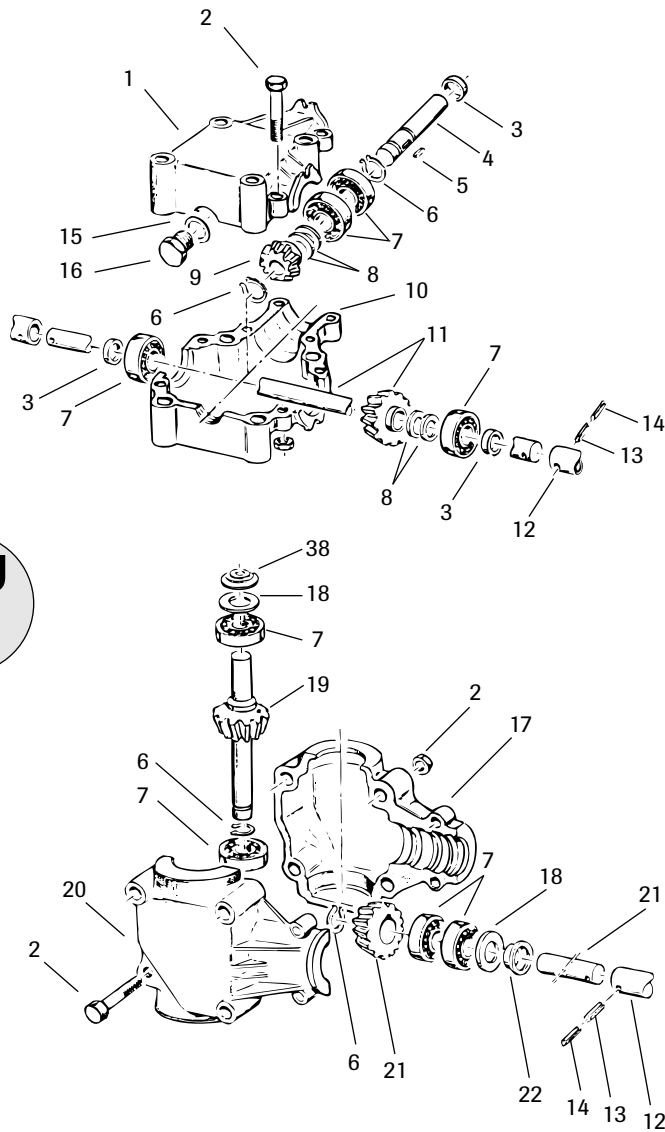
**A**

DPX 605-805-1155  
PTo 540 tr/min → 720 tr/min

| Rep. | Code    | Désignation               |
|------|---------|---------------------------|
| 1    | 907 767 | Blocs complets 605-805    |
| 2    | 910 164 | Boîte supérieure          |
| 3    | 910 125 | Joint de bouchon          |
| 4    | 910 126 | Bouchon 3/8 Gaz           |
| 5    | 910 165 | Arbre transversal         |
| 6    | 910 124 | Bague étanch. 25x47x7     |
| 7    | 711 001 | Roulement 6205 RS1        |
| 8    | 910 163 | Boîte inférieure          |
| 9    | 910 160 | Entretoise                |
| 10   | 910 161 | Clavette 8x7x25           |
| 11   | 910 162 | Pignon Z 17 M 5           |
| 12   | 910 069 | Circlips E 25             |
| 13   | 910 070 | Cale de réglage           |
| 14   | 910 157 | Couronne Z 23 M 3,5       |
| 15   | 910 155 | Arbre                     |
| 16   | 910 133 | Boîte                     |
| 17   | 901 216 | Joint de renvoi           |
| 18   | 910 130 | Bague étanch. 25x37x5     |
| 19   | 910 138 | Arbre pignon chromé       |
| 20   | 910 132 | Boîte                     |
| 21   | 551 858 | Vis HM 8 x 90 FP          |
| 22   | 910 140 | Couronne 15 dents         |
| 23   | 910 134 | Clavette 6 x 6 x 20       |
| 24   | 590 207 | Goupille méca 5 x 35 inox |
| 25   | 590 407 | Goupille méca 8 x 35      |
| 26   | 903 401 | Entretoise centrale       |
| 27   | 901 998 | Moyeu excentrique         |
| 28   | 574 280 | Circlips intérieur        |
| 29   | 711 007 | Roulement 6010 1 RS1      |
| 30   | 719 001 | Graisser 7019             |
| 31   | 574 248 | Circlips extérieur Ø 50   |
| 32   | 926 003 | Rondelle d'étanchéité     |
| 33   | 571 260 | Ecrou H 10 inox           |
| 34   | 901 039 | Entretoise de renvoi      |
| 35   | 573 810 | Rondelle M 10 inox        |
| 36   | 552 056 | Vis HM 10 x 140           |
| 37   | 590 308 | Goupille méca 6 x 40 inox |
| 38   | 590 106 | Goupille méca 3,5 x 30    |
| 39   | 795 994 | Cardan DPXL = 910 mm      |
| 40   | 553 845 | Vis CHC 8 x 45            |
|      | 571 258 | Ecrou H8 inox             |
| 41   | 900 052 | Bielle agitateur          |

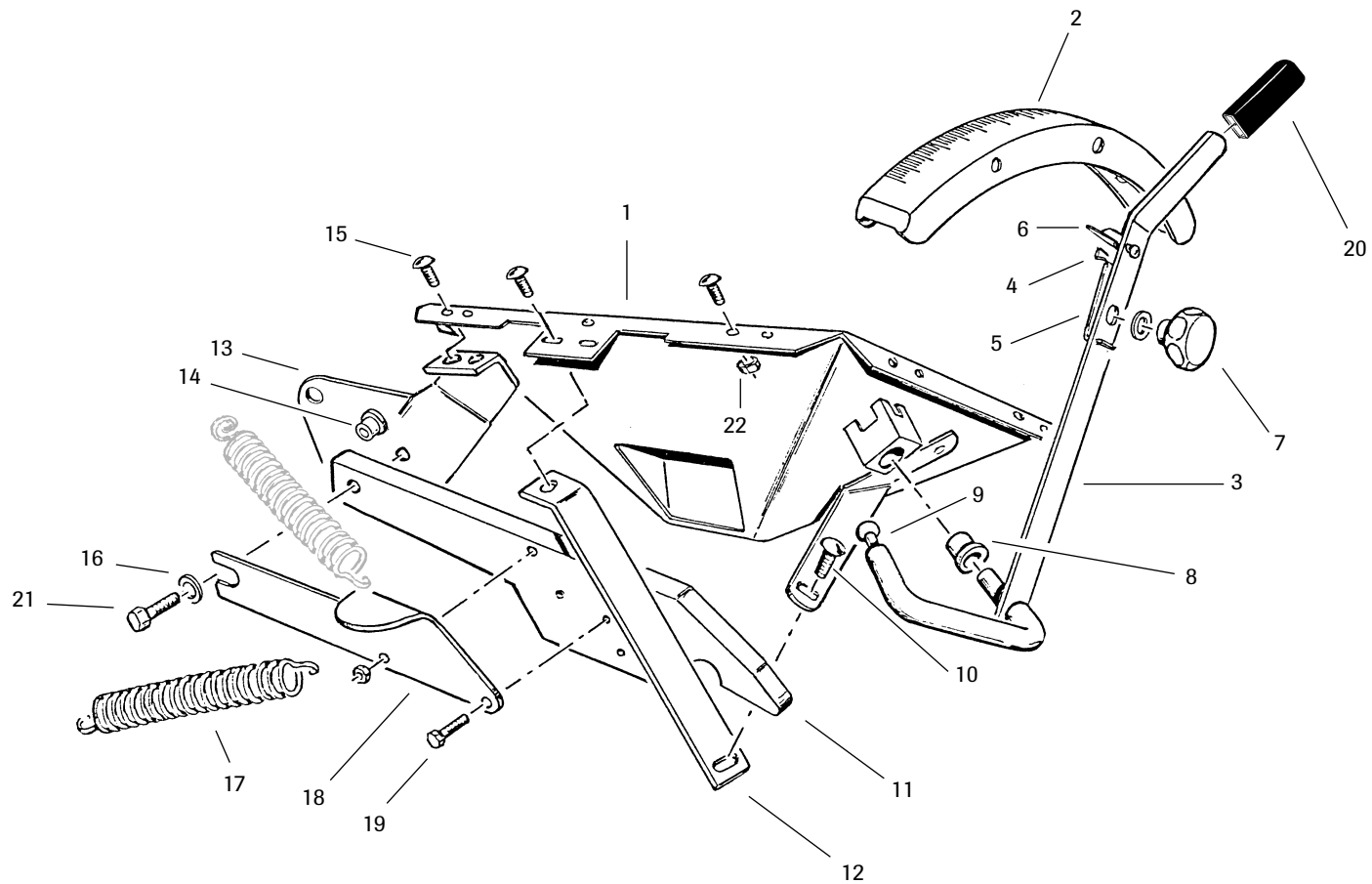
**B2-00**

B3-01

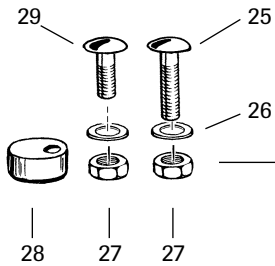
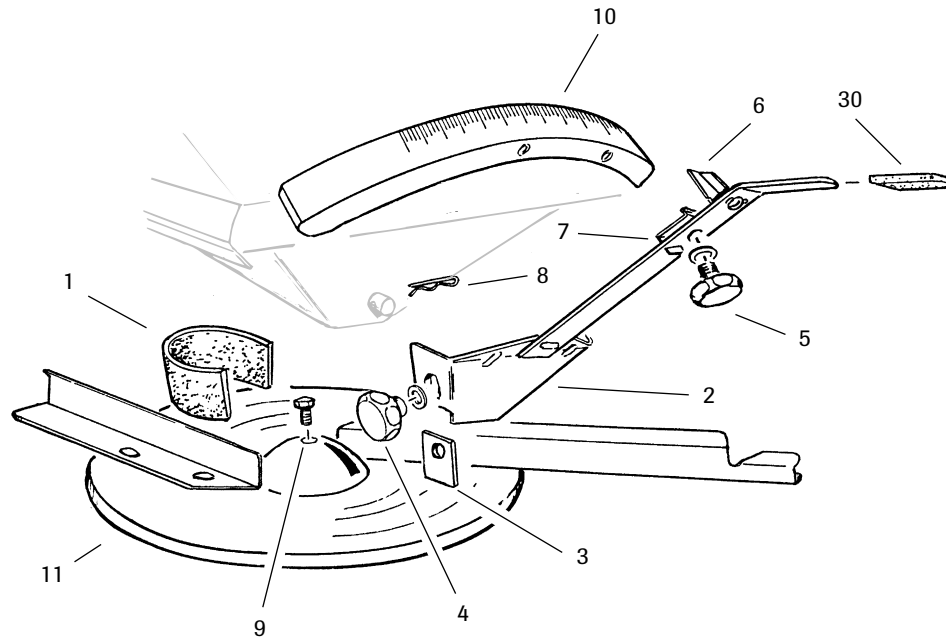


DPX 1205-1505-1805-2005  
PTo 540 tr/min → 810 tr/min

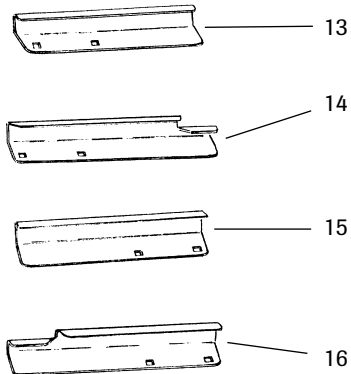
| Rep.     | Code           | Désignation                    |
|----------|----------------|--------------------------------|
| 1        | 910 164        | Boîte supérieure L25 anodisée  |
| 2        | 553 845        | Vis CHC 8 x 45                 |
|          | 571 258        | Ecrou H 8 inox                 |
| 3        | 910 124        | Bague d'étanchéité 25 x 47 x 7 |
| 4        | 910 155        | Arbre d'entrée                 |
| 5        | 910 161        | Clavette 8 x 7 x 25            |
| 6        | 910 069        | Circlips E 25                  |
| 7        | 711 001        | Roulement 6205 RS1             |
| 8        | 910 070        | Cales de réglage               |
| 9        | 910 157        | Couronne Z 23 M 3,5            |
| 10       | 910 163        | Boîte inférieure               |
| 11       | 936 021        | Arbre pignon Z 16              |
| 12       | 922 007        | Arbre de liaison               |
| 13       | 590 407        | Goupille méca 8 x 35           |
| 14       | 590 207        | Goupille méca 5 x 35 inox      |
| 15       | 910 125        | Joint de bouchon               |
| 16       | 910 126        | Bouchon 3/8" Gaz               |
| 17       | 910 132        | Boîte L 150 anodisée           |
| 18       | 910 130        | Joint 25 x 37 x 5              |
| 19       | 936 002        | Engrenage (IPU)                |
| 20       | 910 133        | Boîte L 150 anodisée           |
| 21       | 936 001        | Engrenage                      |
| 22       | 936 028        | Bague racleuse V2SA            |
| 23       | 910 180        | Blocs complets 1205-1505-2005  |
|          | 910 436        | Bloc complet 1155              |
| 24       | 573 810        | Rondelle M10 inox              |
| 25       | 903 401        | Entretoise centrale            |
| 26       | 901 998        | Moyeu excentrique              |
| 27       | 590 308        | Goupille méca 6 x 40 inox      |
| 28       | 590 106        | Goupille méca 3,5 x 30         |
| 29       | 574 280        | Circlips intérieur             |
| 30       | 711 007        | Roulement 6010 1RS1            |
| 31       | 719 001        | Graisseur 7019                 |
| 32       | 574 248        | Circlips extérieur Ø 50        |
| 33       | 926 003        | Rondelle d'étanchéité          |
| 34       | 796 001        | Cardan L = 1070 m              |
| 35       | 552 056        | Vis HM 10 x 140                |
|          | 571 260        | Ecrou H 10 inox                |
| 36       | 901 039        | Entretoise de renvoi           |
| 37       | 590 407        | Goupille méca 8 x 35 inox      |
|          | 590 207        | Goupille méca 5 x 35           |
| 38       | 901 216        | Joint de renvoi                |
| 39       | 922 054        | Arbre de liaison (24 M)        |
| 40       | 900 052        | Bielle agitateur               |
| <b>A</b> | <b>980 702</b> | <b>Boîtier central</b>         |
| <b>B</b> | <b>980 703</b> | <b>Boîtier extérieur</b>       |



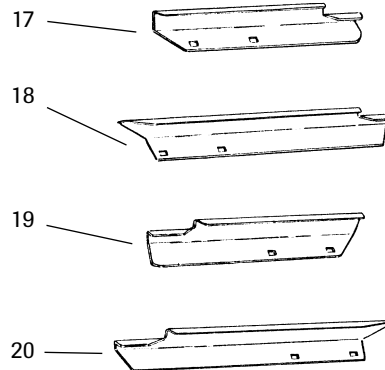
| Rep. | Code    | Désignation              |
|------|---------|--------------------------|
| 1    | 919 082 | Fond doseur G soudé      |
|      | 919 083 | Fond doseur D soudé      |
| 2    | 935 005 | Secteur de débit         |
| 3    | 918 178 | Butée G de trappe soudée |
| 4    | 918 179 | Butée D de trappe soudée |
| 5    | 963 116 | Butée de serrage         |
| 6    | 968 006 | Index gauche             |
|      | 968 005 | Index droit              |
| 7    | 900 010 | Molette de réglage       |
|      | 573 810 | Rondelle M10 inox        |
| 8    | 925 054 | Bague plastique          |
| 9    | 921 071 | Rotule                   |
| 10   | 558 715 | Vis TRCC 6 x 15 inox     |
| 11   | 985 018 | Trappe gauche            |
|      | 985 019 | Trappe droite            |
| 12   | 964 073 | Guide trappe             |
| 13   | 914 090 | Support G de trappe      |
|      | 914 091 | Support D de trappe      |
| 14   | 921 070 | Articulation trappe      |
| 15   | 558 715 | Vis TRCC 6 x 15 inox     |
| 16   | 573 860 | Rondelle L10 inox        |
| 17   | 878 076 | Ressort                  |
| 18   | 953 073 | Equerre trappe G GLX     |
|      | 953 069 | Equerre trappe D GLX     |
| 19   | 558 812 | Vis H8 x 12 inox         |
| 20   | 415 750 | Poignée noire K 29x5     |
| 21   | 559 060 | Vis H10 x 60 inox FST    |
| 22   | 571 256 | Ecrou HM 6 inox          |



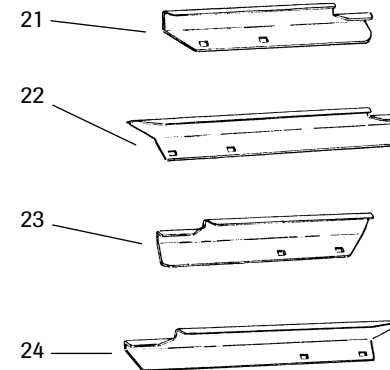
**A - 12 - 18m**



**B - 18 - 24m**

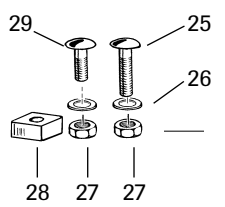
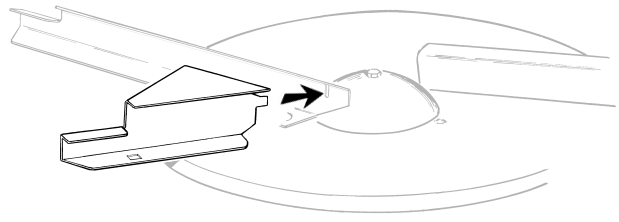
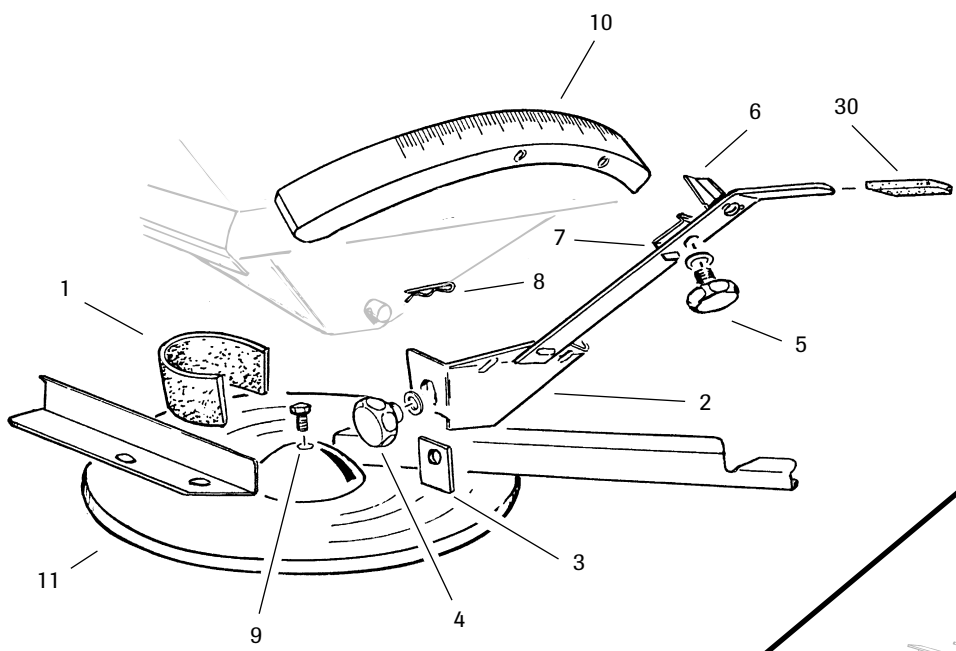


**C - 18 - 28m**

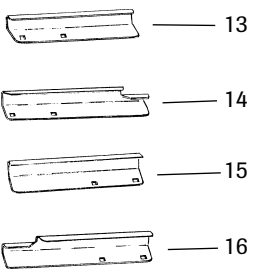


| Rep.     | Code           | Désignation               |
|----------|----------------|---------------------------|
| 1        | 985 020        | Anti rebond               |
|          | 598 140        | Rivet aveugle inox 4x6    |
|          | 573 804        | Rondelle LL 4 N inox      |
| 2        | 919 080        | Goulotte G soudée         |
|          | 919 081        | Goulotte D soudée         |
| 3        | 918 170        | Défecteur bordure         |
| 4        | 415 725        | Bouton nylon noir M6      |
|          | 573 808        | Rondelle inox Ø 8         |
|          | 571 256        | Ecrou H M 6 inox          |
|          | 558 715        | Vis TRCC 6 x 15 inox      |
| 5        | 985 221        | Bouton M8                 |
|          | 573 810        | Rondelle M10 inox         |
|          | 558 920        | Vis TRCC 8 x 20 inox      |
| 6        | 968 006        | Index gauche              |
|          | 968 005        | Index droit               |
| 7        | 963 116        | Butée de serrage          |
| 8        | 592 701        | Goupille N 64 inox        |
| 9        | 559 020        | Vis H10 x 20 inox         |
| 10       | 935 004        | Secteur goulotte          |
| 11       | 900 891        | Plateau essai D.          |
| 12       | 909 728        | Plateau éjection G. soudé |
|          |                |                           |
| <b>A</b> | <b>209 820</b> | <b>Kit 12-18 m</b>        |
| 13       | 908 410        | Pale                      |
| 14       | 908 408        | Pale                      |
| 15       | 908 409        | Pale                      |
| 16       | 908 407        | Pale                      |
|          |                |                           |
| <b>B</b> | <b>209 830</b> | <b>Kit 18-24 m</b>        |
| 17       | 980 818        | Pale                      |
| 18       | 980 814        | Pale                      |
| 19       | 980 819        | Pale                      |
| 20       | 980 813        | Pale                      |
|          |                |                           |
| <b>C</b> | <b>209 830</b> | <b>Kit 18-28 m</b>        |
| 21       | 980 818        | Pale                      |
| 22       | 980 814        | Pale                      |
| 23       | 980 819        | Pale                      |
| 24       | 980 813        | Pale                      |
| 25       | 558 925        | Vis TRCC 8 x 25 inox      |
| 26       | 573 810        | Rondelle M10 inox         |
| 27       | 571 408        | Ecrou frein nylon H8      |
| 28       | 926 012        | Masselotte                |
| 29       | 558 916        | Vis TRCC 8 x 16 inox      |
| 30       | 415 750        | Poignée noire             |

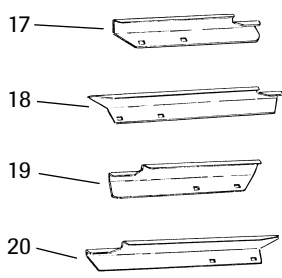
C2-02



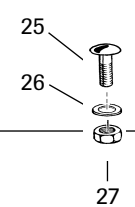
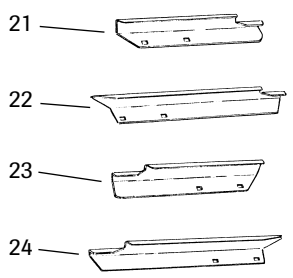
**A - 12 - 18m**



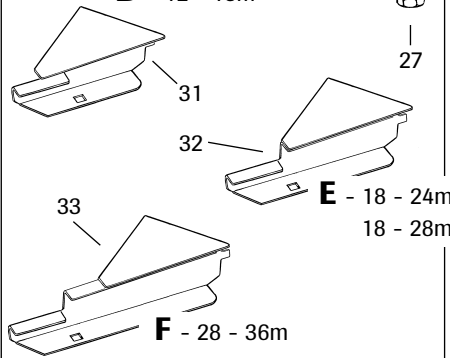
**B - 18 - 24m**



**C - 18 - 28m**



**D - 12 - 18m**

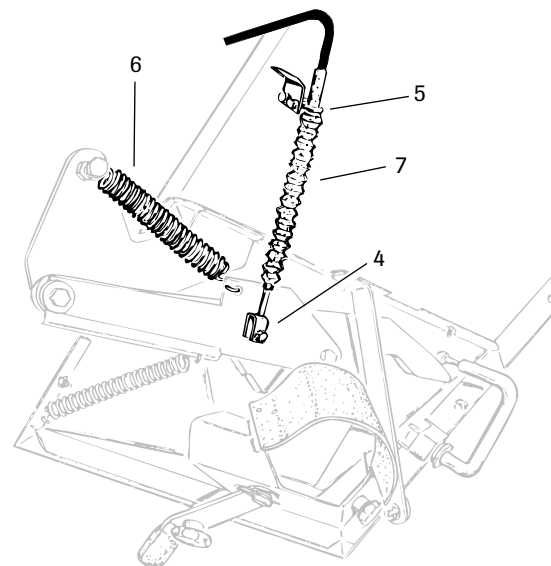
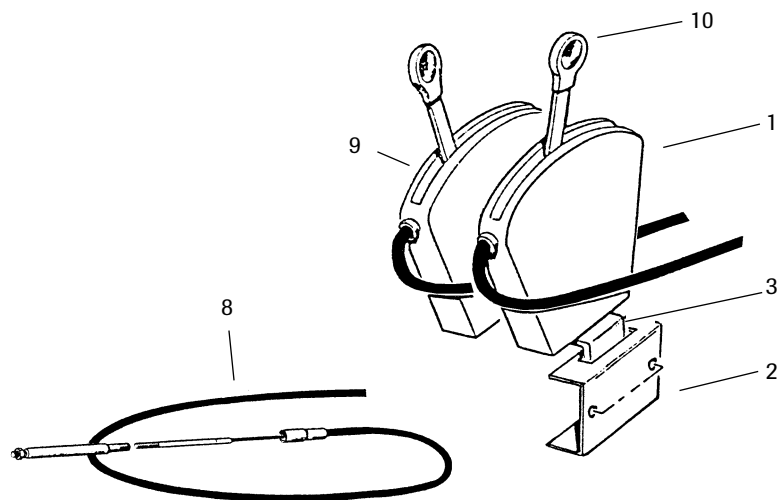


**E - 18 - 24m  
18 - 28m**

**F - 28 - 36m**

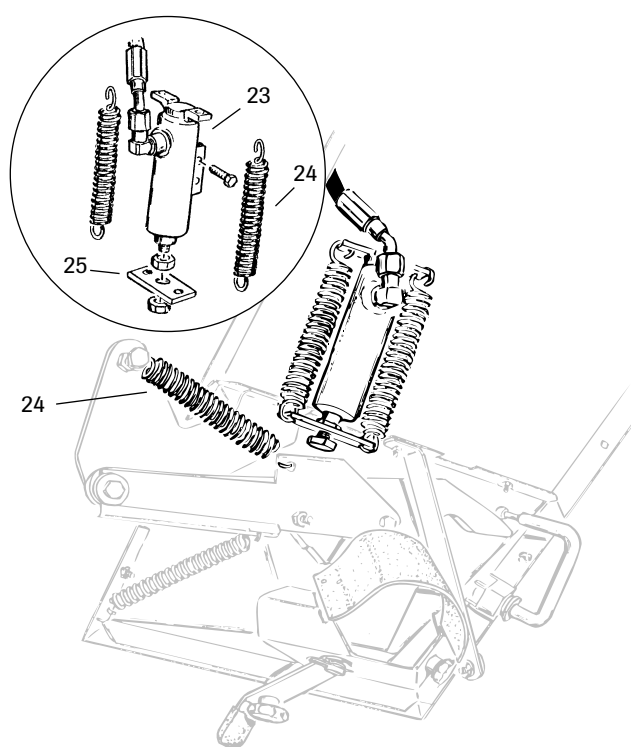
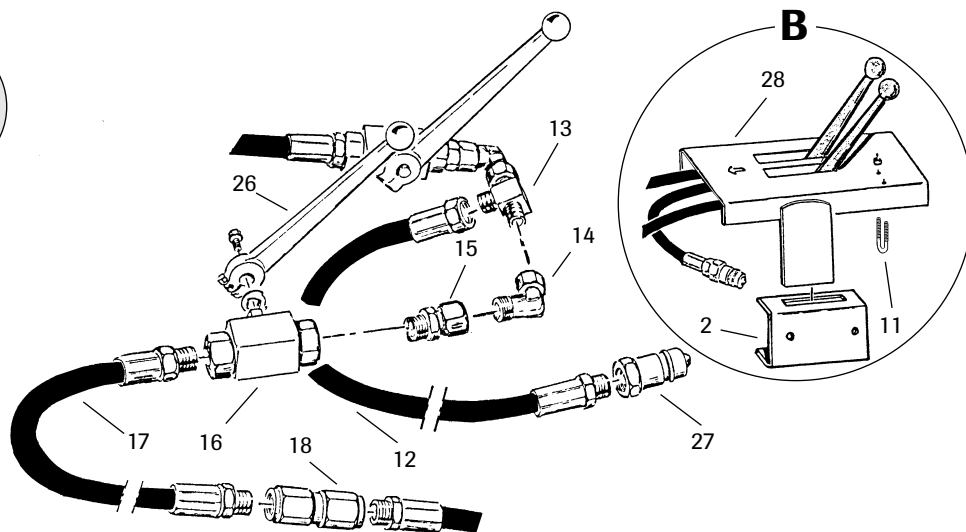
| Rep.     | Code           | Désignation                        |
|----------|----------------|------------------------------------|
| 1        | 985 020        | Anti rebond                        |
|          | 598 140        | Rivet aveugle inox 4x6             |
|          | 573 804        | Rondelle LL 4 N inox               |
| 2        | 919 080        | Goulotte G soudée                  |
|          | 919 081        | Goulotte D soudée                  |
| 3        | 918 170        | Défecteur bordure                  |
| 4        | 415 725        | Bouton nylon noir M6               |
|          | 573 808        | Rondelle inox Ø 8                  |
|          | 571 256        | Ecrou H M 6 inox                   |
|          | 558 715        | Vis TRCC 6 x 15 inox               |
| 5        | 985 221        | Bouton M8                          |
|          | 573 810        | Rondelle M10 inox                  |
|          | 558 920        | Vis TRCC 8 x 20 inox               |
| 6        | 968 006        | Index gauche                       |
|          | 968 005        | Index droit                        |
| 7        | 963 116        | Butée de serrage                   |
| 8        | 592 701        | Goupille N 64 inox                 |
| 9        | 559 020        | Vis H10 x 20 inox                  |
| 10       | 935 004        | Secteur goulotte                   |
| 11       | 900 891        | Plateau essai D.                   |
| 12       | 909 728        | Plateau éjection G. soudé          |
| <b>A</b> | <b>209 820</b> | <b>Kit 12-18 m</b>                 |
| 13       | 908 410        | Pale                               |
| 14       | 908 408        | Pale                               |
| 15       | 908 409        | Pale                               |
| 16       | 908 407        | Pale                               |
| <b>B</b> | <b>209 830</b> | <b>Kit 18-24 m</b>                 |
| 17       | 980 818        | Pale                               |
| 18       | 980 814        | Pale                               |
| 19       | 980 819        | Pale                               |
| 20       | 980 813        | Pale                               |
| <b>C</b> | <b>209 830</b> | <b>Kit 18-28 m</b>                 |
| 21       | 980 818        | Pale                               |
| 22       | 980 814        | Pale                               |
| 23       | 980 819        | Pale                               |
| 24       | 980 813        | Pale                               |
| 25       | 558 925        | Vis TRCC 8 x 25 inox               |
| 26       | 573 810        | Rondelle M10 inox                  |
| 27       | 571 408        | Ecrou frein nylon H8               |
| 28       | 926 012        | Masselotte                         |
| 29       | 558 916        | Vis TRCC 8 x 16 inox               |
| 30       | 415 750        | Poignée noire                      |
| <b>D</b> | <b>209 870</b> | <b>Ecobord 12-18 m</b>             |
| 31       | 916 115        | Pale                               |
| 25       | 558 925        | Vis TRCC 8 x 25 inox               |
| 26       | 573 810        | Rondelle M10 inox                  |
| 27       | 571 408        | Ecrou frein nylon H8               |
| <b>E</b> | <b>209 880</b> | <b>Ecobord 18-24 m<br/>18-28 m</b> |
| 32       | 916 116        | Pale                               |
| 25       | 558 925        | Vis TRCC 8 x 25 inox               |
| 26       | 573 810        | Rondelle M10 inox                  |
| 27       | 571 408        | Ecrou frein nylon H8               |
| <b>F</b> | <b>209 890</b> | <b>Ecobord 28-36 m</b>             |
| 33       | 916 117        | Pale                               |
| 25       | 558 925        | Vis TRCC 8 x 25 inox               |
| 26       | 573 810        | Rondelle M10 inox                  |
| 27       | 571 408        | Ecrou frein nylon H8               |

**A**

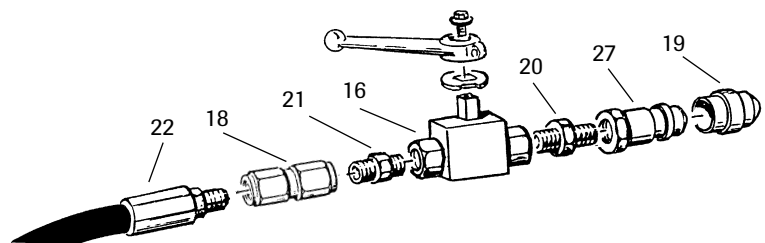


**C3-02**

**B**

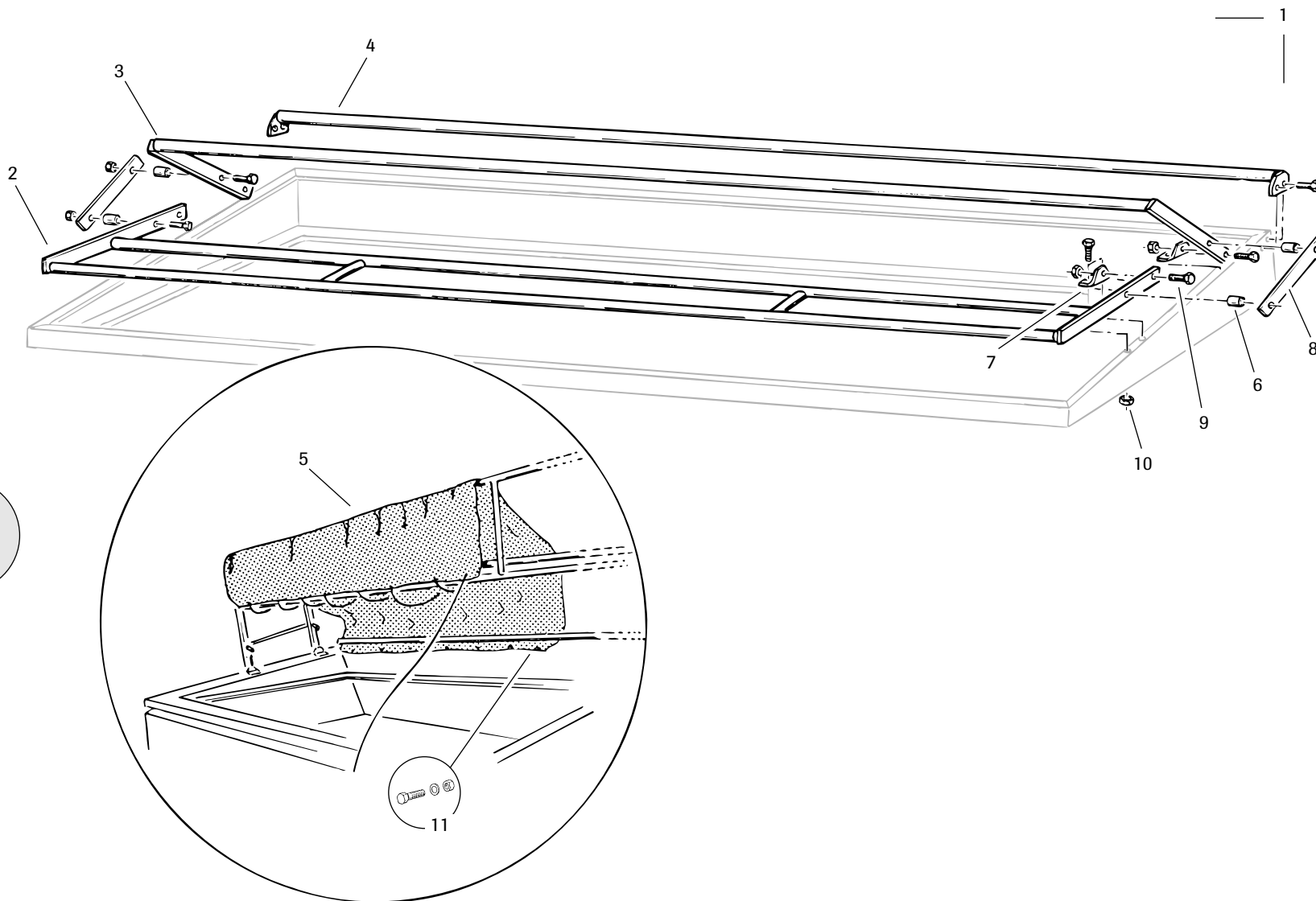


**C**



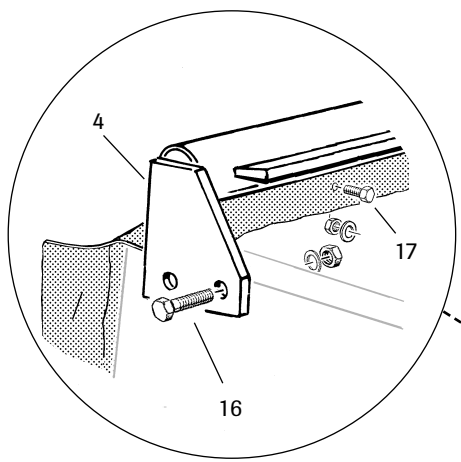
| Rep.     | Code           | Désignation                     |
|----------|----------------|---------------------------------|
| <b>A</b> | <b>479 100</b> | <b>Kit téléflexible</b>         |
| 1        | 984 902        | Ensemble câble boîtier          |
|          | 720 151        | Ressort de maintien pour levier |
|          | 720 152        | Traineau pour téléflexible      |
|          |                | Téléflexible nu 4m              |
|          |                | Téléflexible nu 4m50            |
| 2        | 906 330        | Glissière                       |
| 3        | 909 881        | Support téléflexible            |
| 4        | 906 407        | Embout de câble                 |
| 5        | 962 017        | Bride de blocage                |
| 6        | 908 076        | Ressort                         |
| 7        | 980 757        | Soufflet de câble               |
| 8        | 479 097        | Téléflexible sans boîtier       |
| 9        | 980 758        | Boîtier + levier nu             |
| 10       | 980 755        | Levier nu pour Cde téléflexible |
| <b>B</b> | <b>683 015</b> | <b>Kit hydraulique 1 SE</b>     |
| 11       | 901 578        | Bride étrier                    |
| 12       | 795 055        | Flexible TA 18 T 2100           |
| 13       | 795 170        | Té                              |
| 14       | 795 214        | Coude                           |
| 15       | 795 225        | Union                           |
| 16       | 795 041        | Robinet                         |
| 17       | 795 049        | Flexible TA 18 T 1600           |
| 18       | 795 512        | Limiteur de débit               |
| <b>C</b> | <b>683 014</b> | <b>Kit hydraulique 2 SE</b>     |
| 19       | 795 300        | Bouchon de repos                |
| 20       | 795 219        | Adaptateur MG1/4" / MG1/2"      |
| 21       | 795 218        | Adaptateur                      |
| 22       | 795 055        | Flexible TA 18 T 2100           |
| 23       | 982 302        | Vérin                           |
| 24       | 981 009        | Ressort                         |
| 25       | 967 070        | Plaque ressort                  |
| 26       |                | Levier pour robinet             |
| 27       | 795 350        | Embout mâle "Push Pull"         |
| 28       | 917 107        | Support robinet                 |

D1-01

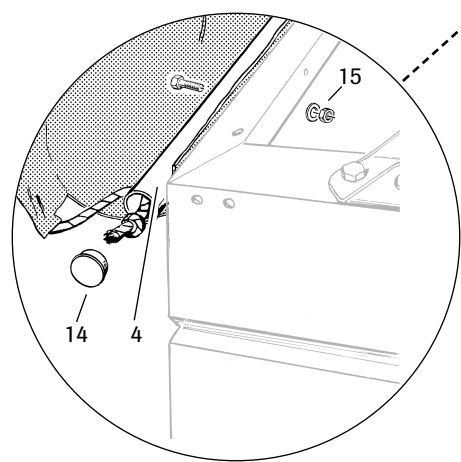


| Rep. | Code    | Désignation                |
|------|---------|----------------------------|
|      |         | <b>1205-1505-1805-2005</b> |
| 1    | 306 200 | Kit de bâche               |
| 2    | 909 813 | Barre arrière              |
| 3    | 909 812 | Barre centrale             |
| 4    | 909 811 | Tube avant                 |
| 5    | 909 189 | Bâche                      |
| 6    | 901 553 | Entretoise                 |
| 7    | 904 920 | Patte de fixation          |
| 8    | 901 964 | Tirant de bâche            |
|      |         | <b>DPX 605-805-1155</b>    |
| 1    | 306 100 | Kit Bâche                  |
| 2    | 909 864 | Barre arrière              |
| 3    | 909 866 | Barre centrale             |
| 4    | 909 867 | Tube avant                 |
| 5    | 909 196 | Bâche                      |
| 6    | 901 553 | Entretoise                 |
| 7    | 904 920 | Patte de fixation          |
| 8    | 901 964 | Tirant de bâche            |
| 9    | 558 830 | Vis H 8 x 30               |
|      | 571 258 | Ecrou H 8 inox             |
| 10   | 551 770 | Vis H 8 x 20 inox          |
|      | 571 258 | Ecrou H 8 inox             |
| 11   | 558 665 | Vis H 6 x 16 inox          |
|      | 573 856 | Rondelle M6 inox           |
|      | 571 256 | Ecrou HM 6 inox            |

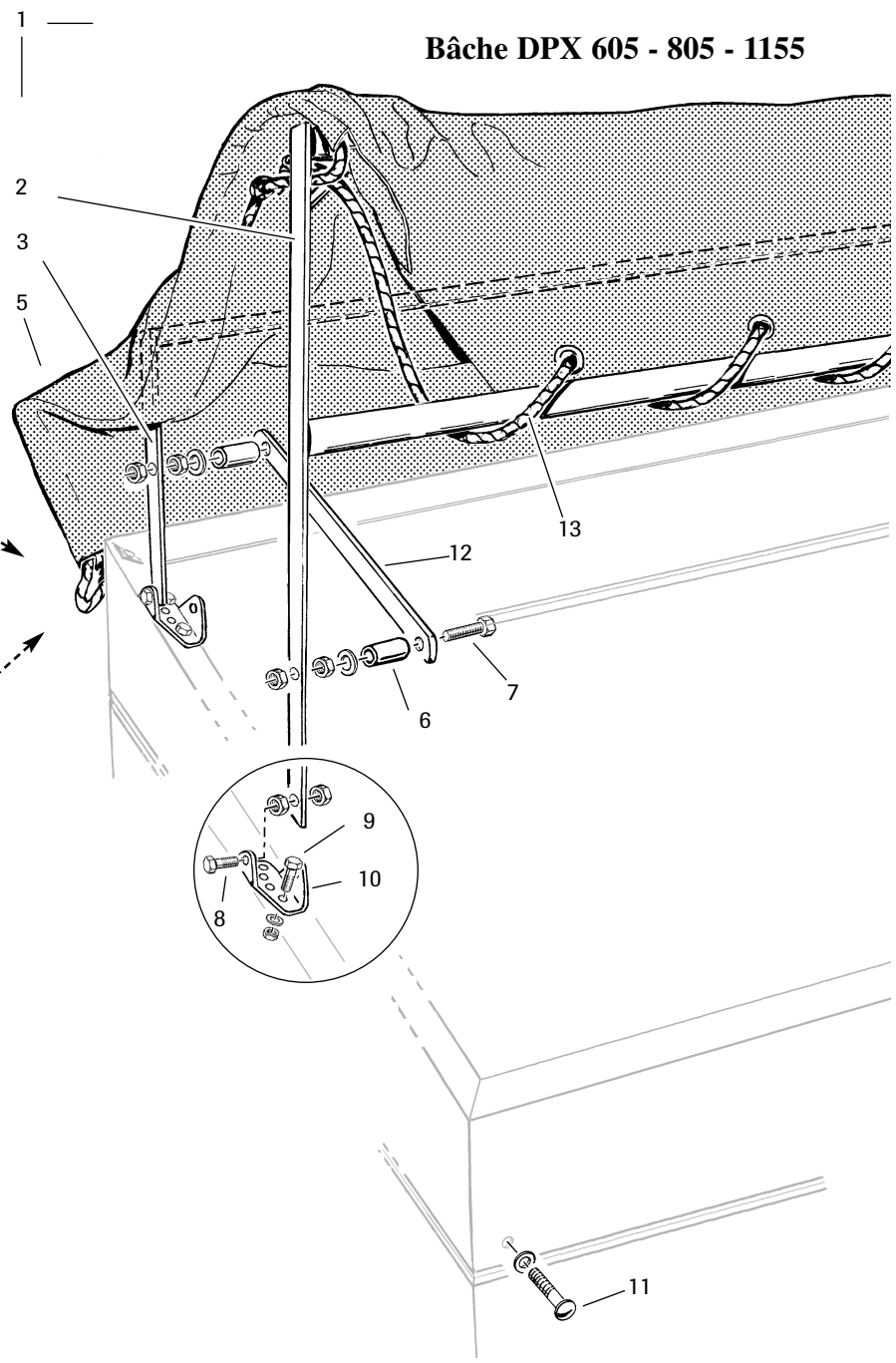
**Bâche DPX 605 - 805 - 1155**



**DPX 1205 - 1505 - 1805 - 2005**



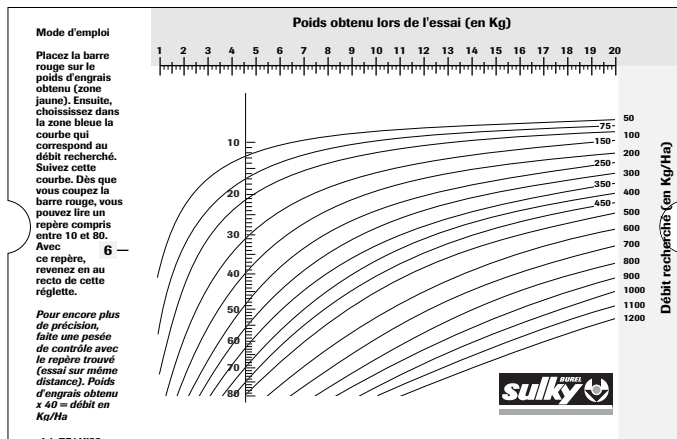
**DPX 605 - 805 - 1155**



| Rep. | Code    | Désignation                |
|------|---------|----------------------------|
|      |         | <b>1205-1505-1805-2005</b> |
| 1    | 306 200 | Kit de bâche               |
| 2    | 909 813 | Barre arrière              |
| 3    | 909 812 | Barre centrale             |
| 4    | 909 811 | Tube avant                 |
| 5    | 909 189 | Bâche                      |
|      |         | <b>DPX 605-805-1155</b>    |
| 1    | 306 100 | Kit Bâche                  |
| 2    | 909 864 | Barre arrière              |
| 3    | 909 866 | Barre centrale             |
| 4    | 909 867 | Tube avant                 |
| 5    | 909 196 | Bâche                      |
| 6    | 901 553 | Entretoise                 |
| 7    | 551 795 | Vis H8 x 45 inox           |
|      | 573 208 | Rondelle M8 inox           |
|      | 571 258 | Ecrou H8 inox              |
|      | 571 278 | Ecrou Hm 8 inox            |
| 8    | 551 770 | Vis H8 x 20 inox           |
|      | 571 258 | Ecrou H8 inox              |
| 9    | 558 665 | Vis H6 x 16 inox           |
|      | 573 856 | Rondelle M6 inox           |
|      | 571 258 | Ecrou H8 inox              |
| 10   | 904 920 | Patte de fixation          |
| 11   | 558 925 | Vis TRcc 8 x 25 inox       |
|      | 573 808 | Rondelle M8 inox           |
|      | 571 258 | Ecrou H8 inox              |
| 12   | 901 012 | Tirant de bâche            |
| 13   | 687 804 | Cordelette                 |
| 14   | 415 730 | Bouchon 20 x 27            |
| 15   | 558 816 | Vis H8 x 16 inox           |
|      | 573 808 | Rondelle M8 inox           |
|      | 571 278 | Ecrou Hm 8 inox            |
| 16   | 551 770 | Vis 8 x 20 inox            |
|      | 573 808 | Rondelle M8 inox           |
|      | 571 258 | Ecrou H8 inox              |
| 17   | 558 665 | Vis H6 x 16 inox           |
|      | 573 856 | Rondelle M6 inox           |
|      | 571 256 | Ecrou Hm 6 inox            |



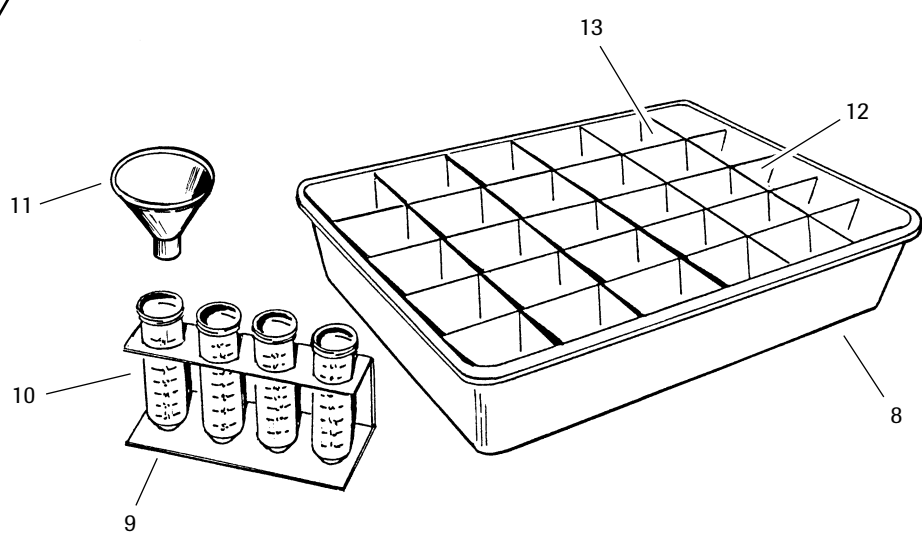
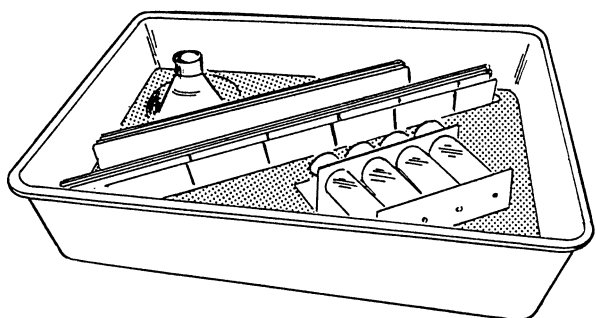
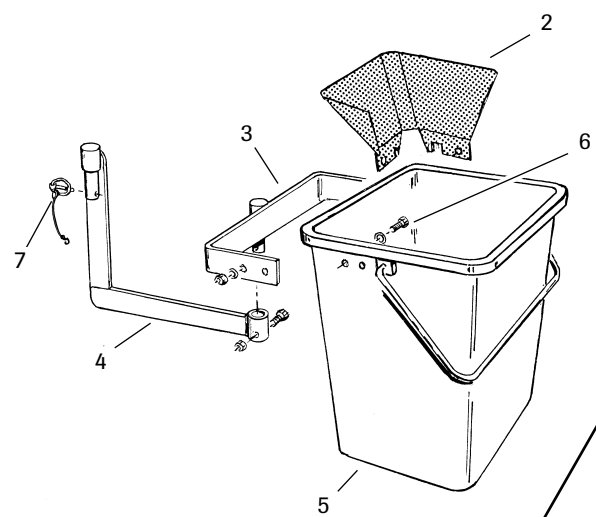
**A**



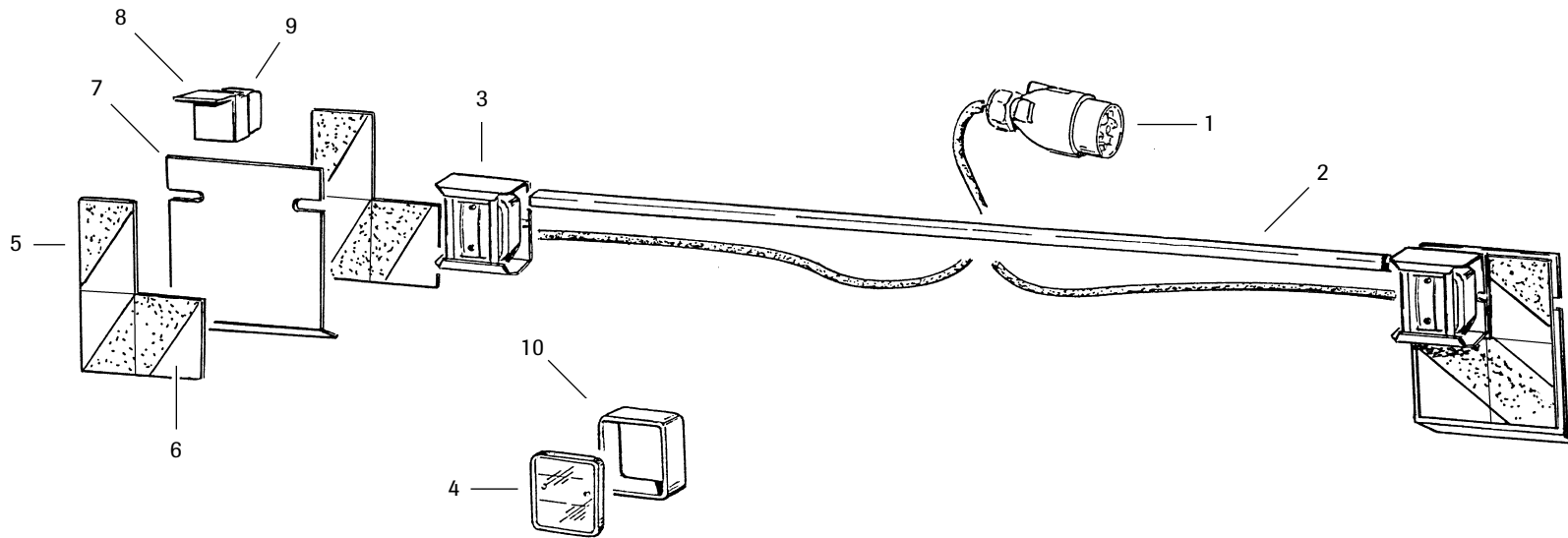
1

**B**

**D2-02**

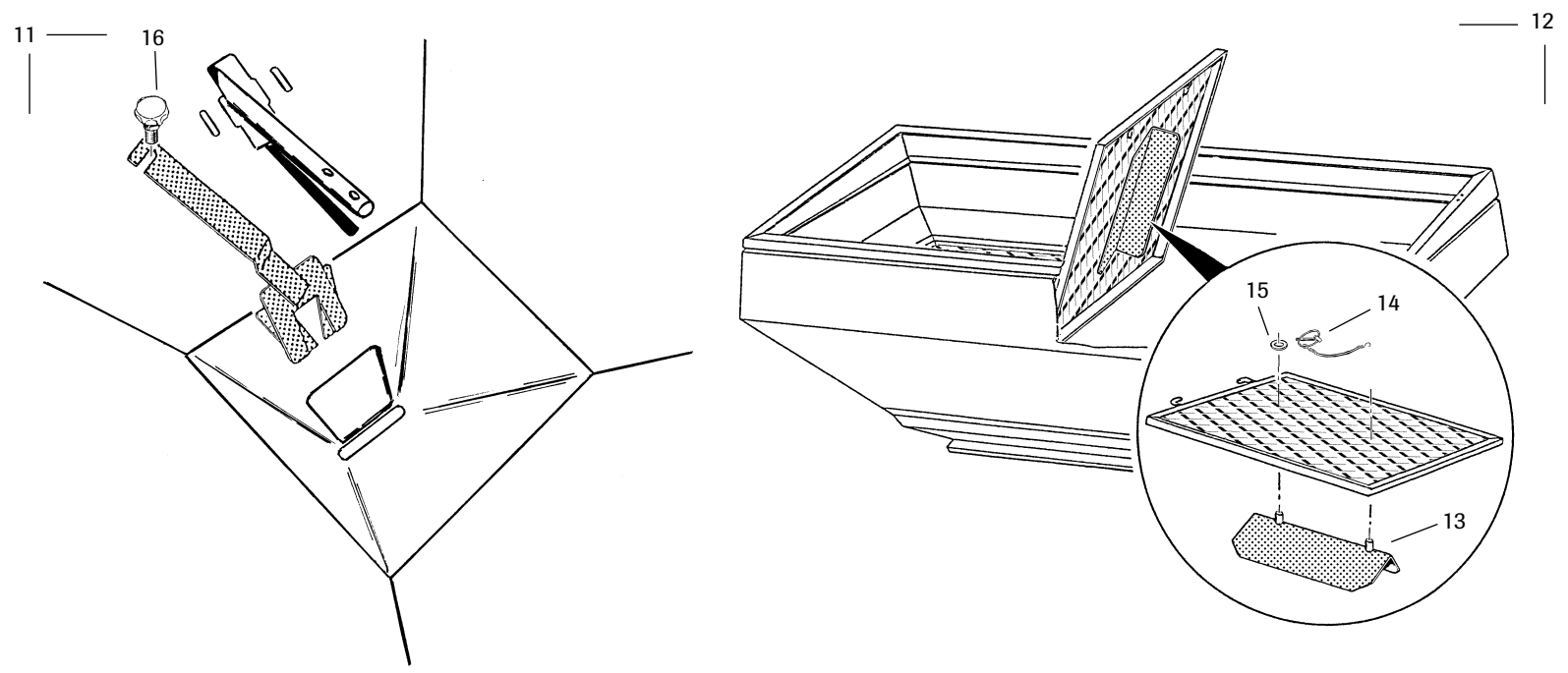


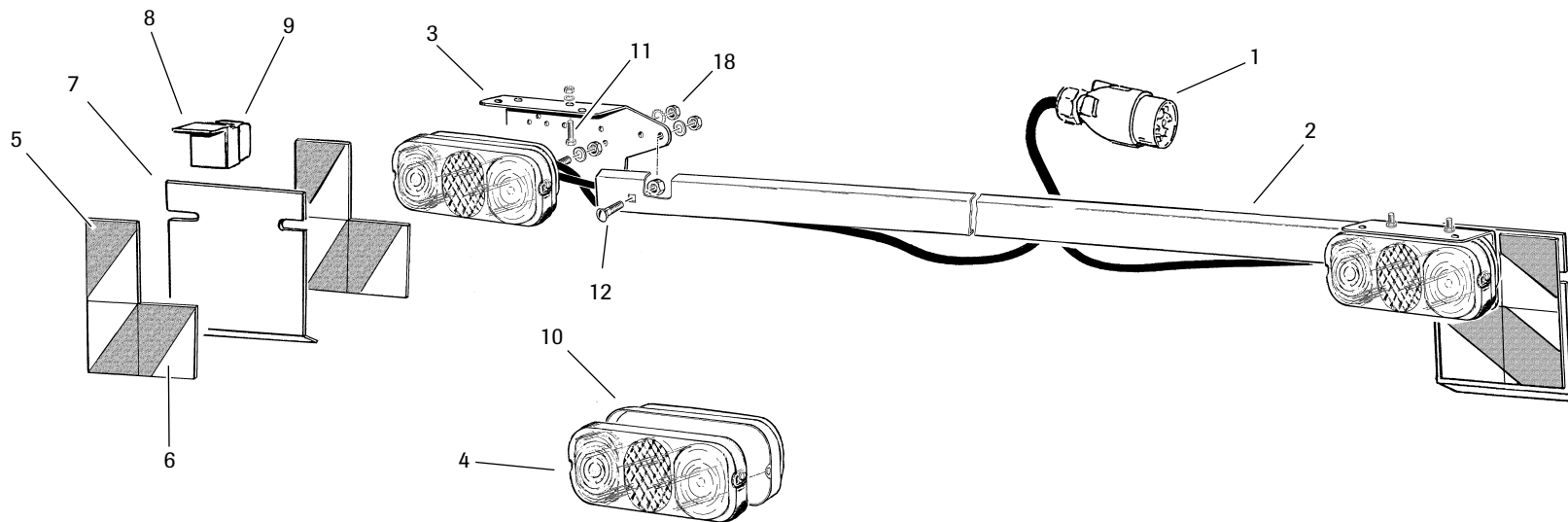
| Rep.     | Code           | Désignation                                |
|----------|----------------|--------------------------------------------|
| <b>A</b> | <b>209 450</b> | <b>Kit essai débit</b>                     |
| 1        | 989 011        | Réglette débit - <b>F</b>                  |
|          | 989 013        | Réglette débit - <b>GB</b>                 |
|          | 989 012        | Réglette débit - <b>D</b>                  |
| 2        | 965 082        | Goulotte de seu                            |
| 3        | 916 101        | Support de seu                             |
| 4        | 914 108        | Bras articulé                              |
| 5        | 985 217        | Seau de débit                              |
| 6        | 551 770        | Vis inox H 8 x 20 inox                     |
|          | 571 258        | Ecrou H 8 inox                             |
| 7        | 910 493        | Goupille Clips Ø6 + lien noir              |
| <b>B</b> | <b>209 440</b> | <b>Kit d'auto contrôle de recroisement</b> |
| 8        | 793 010        | Bac                                        |
| 9        | 904 910        | Support éprouvette                         |
| 10       | 793 012        | Eprouvette                                 |
| 11       | 793 011        | Entonnoir                                  |
| 12       | 909 191        | Croisillon long                            |
| 13       | 909 192        | Croisillon court                           |



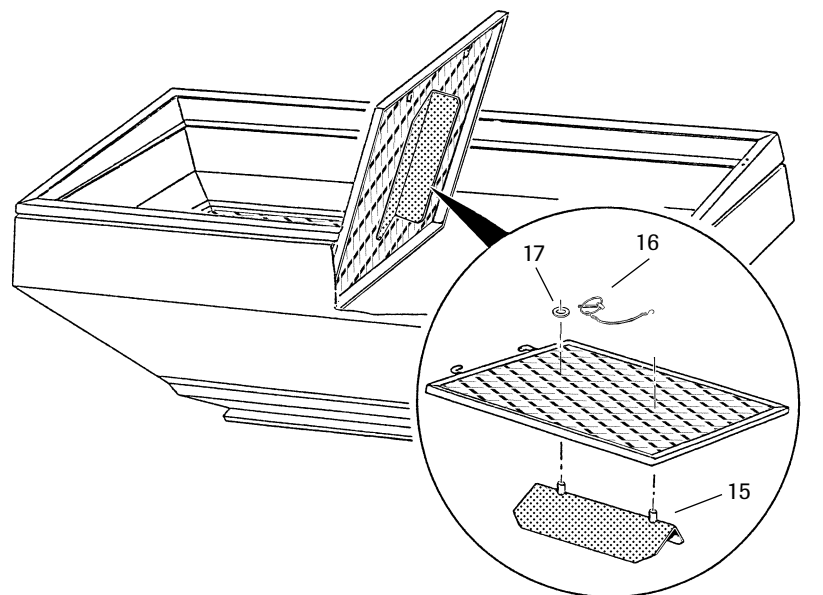
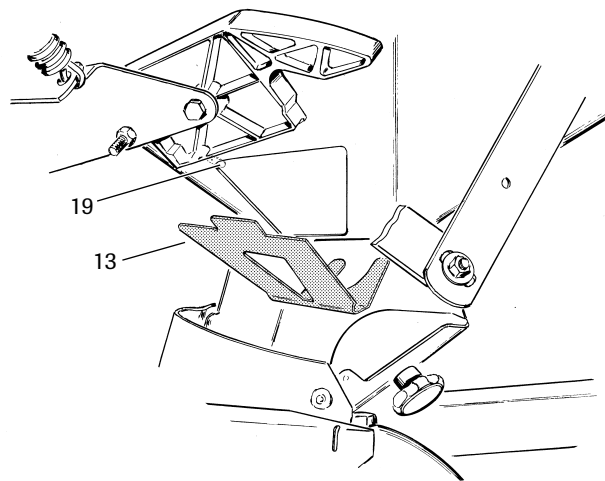
| Rep. | Code    | Désignation                   |
|------|---------|-------------------------------|
| 1    | 983 800 | Kit éclairage                 |
| 2    | 962 094 | Glissière éclairage DPX       |
| 3    | 918 171 | Support feu                   |
| 4    | 720 111 | Cabochon feu                  |
| 5    | 836 007 | Triangle rouge                |
| 6    | 836 006 | Triangle blanc                |
| 7    | 972 080 | Support plaque                |
| 8    | 972 082 | Support feu avant             |
| 9    | 983 807 | Feu avant                     |
| 10   | 720 112 | Corps de feu                  |
| 11   | 209 545 | Kit réducteur de débit        |
| 12   | 209 800 | Lot dôme anti tassement       |
| 13   | 919 095 | Dôme                          |
| 14   | 910 493 | Goupille Clips Ø6 + lien noir |
| 15   | 573 814 | Rondelle M14 N inox           |
| 16   | 910 268 | Poignée Cde 8 x 20 inox       |

D3-01





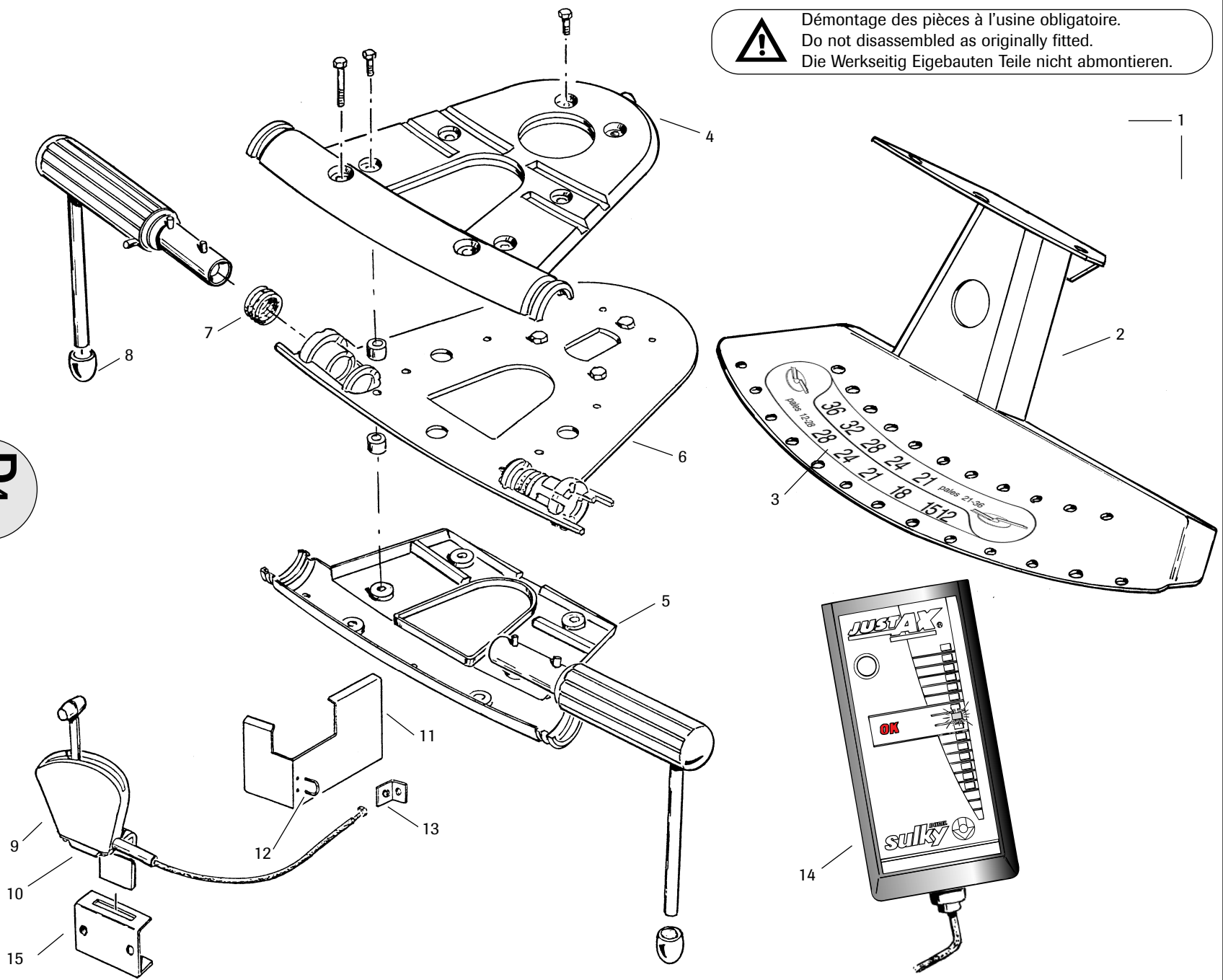
| Rep. | Code    | Désignation                   |
|------|---------|-------------------------------|
| 1    | 983 812 | Kit éclairage                 |
| 2    | 952 123 | Glissière éclairage DPX       |
| 3    | 967 104 | Support feu Gauche            |
|      | 967 105 | Support feu Droit             |
| 4    | 720 111 | Cabochon feu                  |
| 5    | 836 007 | Triangle rouge                |
| 6    | 836 006 | Triangle blanc                |
| 7    | 972 103 | Support plaque                |
| 8    | 972 082 | Support feu avant             |
| 9    | 983 807 | Feu avant                     |
| 10   | 720 112 | Corps de feu                  |
| 11   | 558 830 | Vis H8 x 30 inox              |
|      | 573 808 | Rondelle M8 inox              |
|      | 571 258 | Ecrou H8 inox                 |
| 12   | 558 925 | Vis TRcc 8 x 25 inox          |
|      | 571 262 | Ecrou H12 inox                |
|      | 573 808 | Rondelle M8 inox              |
|      | 571 278 | Ecrou Hm8 inox                |
| 13   | 966 017 | Réducteur de débit            |
| 14   | 209 800 | Lot dôme anti tassement       |
| 15   | 919 095 | Dôme                          |
| 16   | 910 493 | Goupille Clips Ø6 + lien noir |
| 17   | 573 814 | Rondelle M14 N inox           |
| 18   | 573 856 | Rondelle M6 inox              |
|      | 571 260 | Ecrou H10 inox                |
|      | 571 256 | Rondelle éventail Ø 6         |
|      | 571 260 | Ecrou H6 inox                 |
| 19   | 663 154 | Butée de limiteur             |



D4-00



Démontage des pièces à l'usine obligatoire.  
Do not disassembled as originally fitted.  
Die Werkseitig Eigebauten Teile nicht abmontieren.



| Rep. | Code    | Désignation                   |
|------|---------|-------------------------------|
| 1    | 208 800 | Kit Justax DPX                |
| 2    | 917 136 | Chassis d'appuis              |
| 3    | 988 051 | Autocollant largeur Justax    |
| 4    | 985 602 | Capot supérieur               |
| 5    | 985 603 | Capot inférieur               |
| 6    | 918 209 | Support Justax                |
| 7    | 981 202 | Ressort Justax                |
| 8    | 985 021 | Bague                         |
| 9    | 984 906 | Commande téléflexible         |
| 10   | 909 881 | Support commande Téléflexible |
| 11   | 951 226 | Support câble Justax          |
| 12   | 962 017 | Bride                         |
| 13   | 957 062 | Fixation téléflexible Justax  |
| 14   | 910 484 | Capteurs avec boîtier         |
| 15   | 906 330 | Glissière                     |