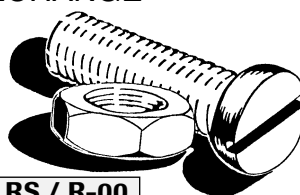


3 - 4 - 4,5m

REGULINE SPI

PIÈCES DE RECHANGE
SPARE PARTS
ERSATZTEILE



Réf: 400 229 - EU / RS / R-00



Sulky Burel

BP 92111 - rue Fabien Burel
35221 Châteaubourg Cedex- FRANCE
Tél: 02.99.00.84.84 - Fax: 02.99.62.39.38
Site Internet : www.sulky-burel.com
e-mail : info@sulky-burel.com

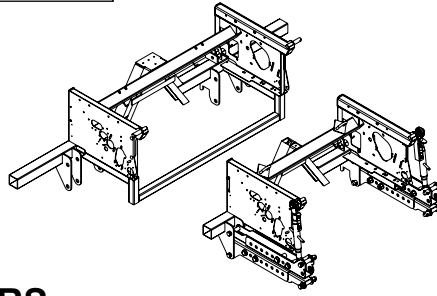
A

CHASSIS

FRAME

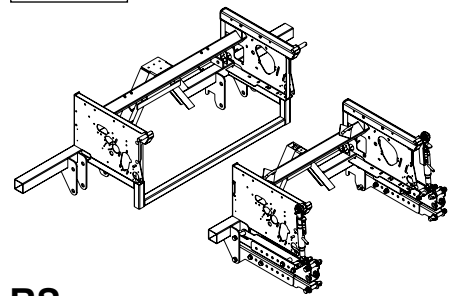
RAHMEN

A1-00



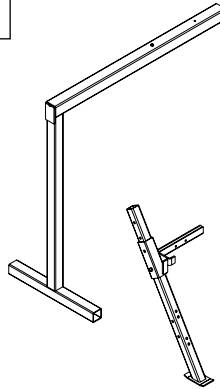
RS

A1-01



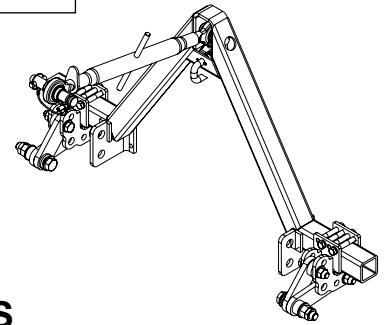
RS
04/RS 03 101 →...

A2-00



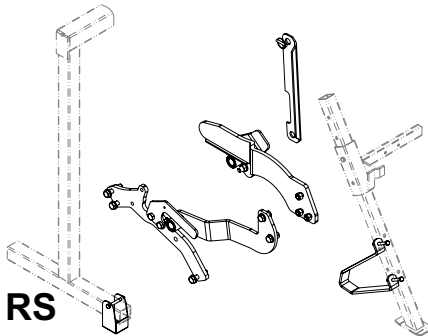
RS

A3-00



RS

A4-00 + (bis)



RS

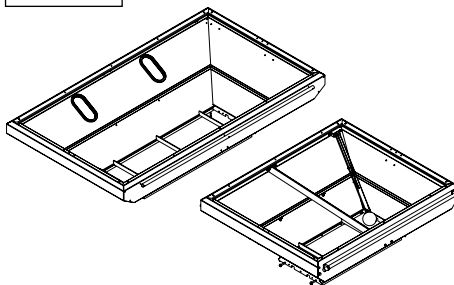
B

TREMIE

HOPPER

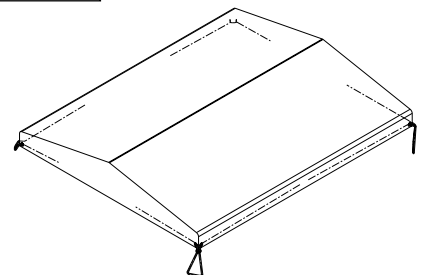
SAATGUT-BEHÄLTER

B1-00



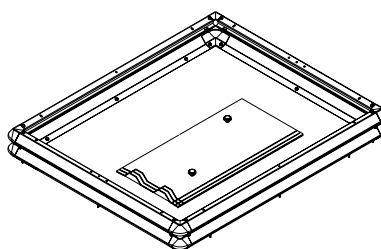
RS

B2-00



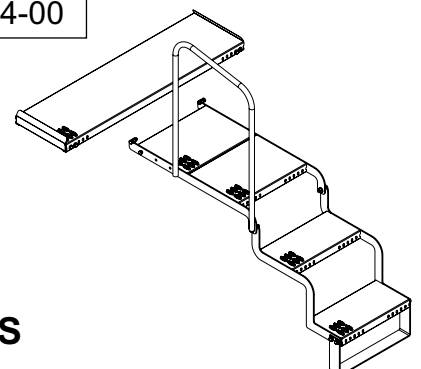
RS

B3-00



RS

B4-00

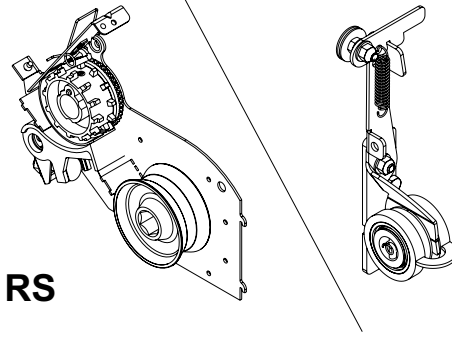


RS

C

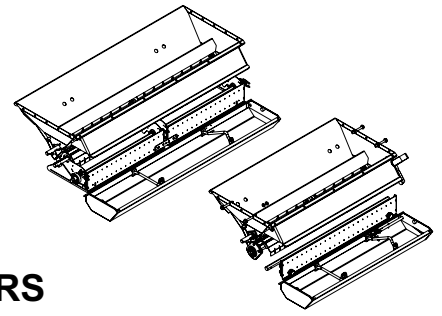
DOSAGE
CALIBRATION SYSTEM
DOSIERUNG

C1-00 + (bis)



RS

C2-00 + (bis)

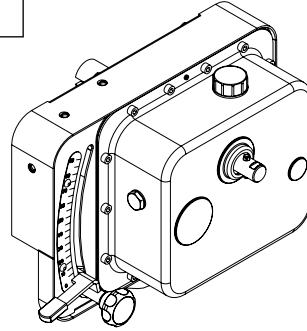


RS

D

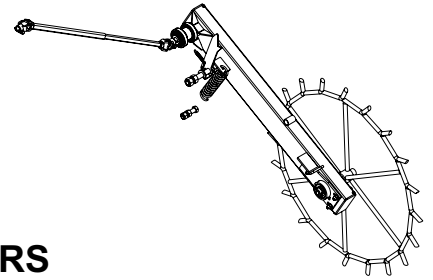
TRANSMISSIONS DOSAGE
DRIVE
DOSIER-ANTRIEB

D1-00



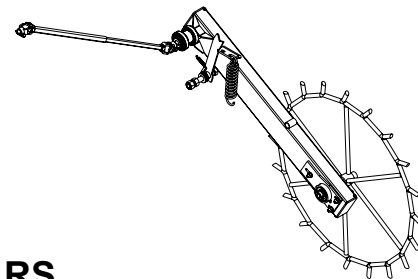
RS

D2-00



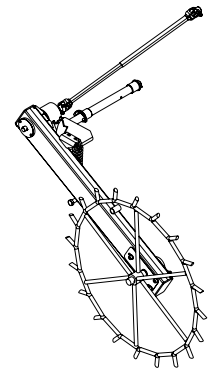
RS

D2-01



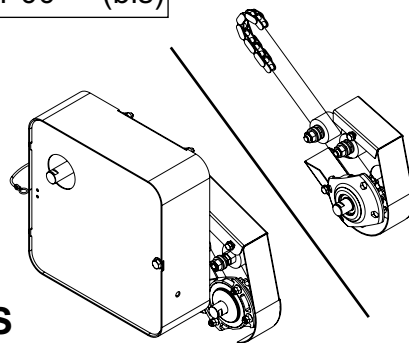
RS
03/RS 07 109 →...

D3-00



RS

D4-00 + (bis)

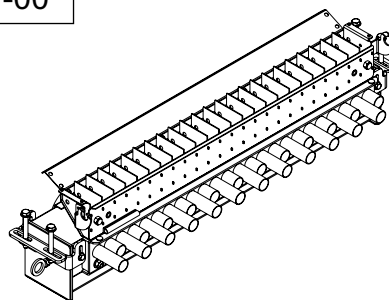


RS

E

DISTRIBUTION
DISTRIBUTION SYSTEM
VERTEILUNG

E1-00

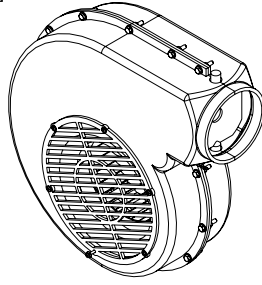


RS

F

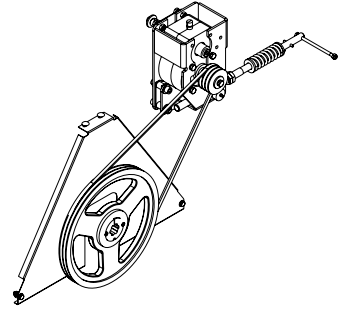
**TURBINE
FAN
GEBLÄSE**

F1-00



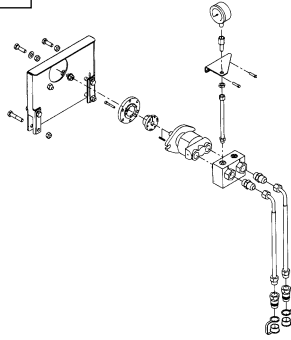
RS

F2-00 + (bis)



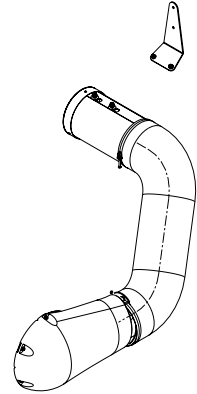
RS

F4-00



RS

F5-00

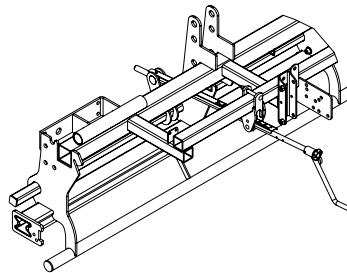


RS

G

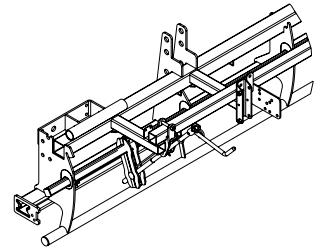
**ENTERRAGE
DEPH CONTROL
ABLAGAGE**

G1-00 + (bis)



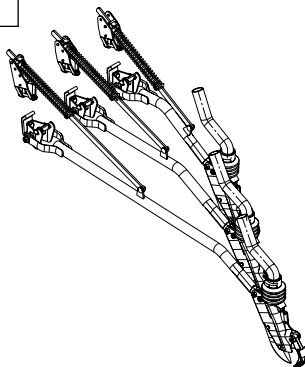
RS

G1-01 + (bis)



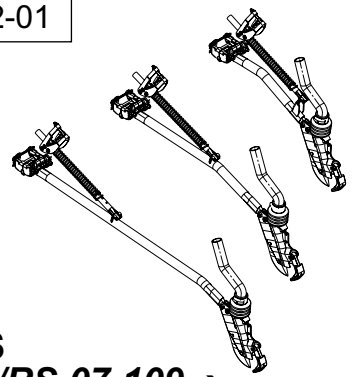
**RS
03/RS 07 109 →...**

G2-00



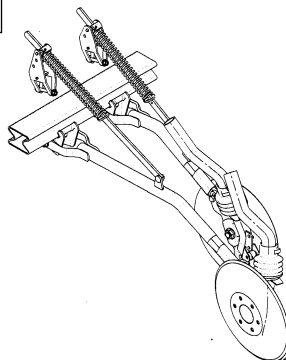
RS

G2-01



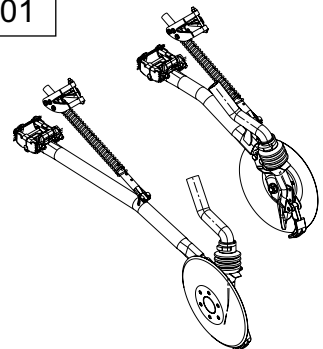
**RS
03/RS 07 109 →...**

G3-00



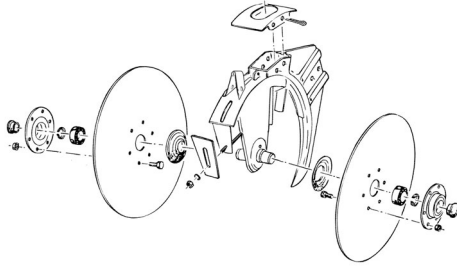
RS

G3-01



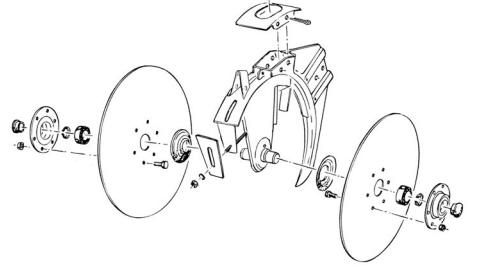
**RS
03/RS 07 109 →...**

G4-00



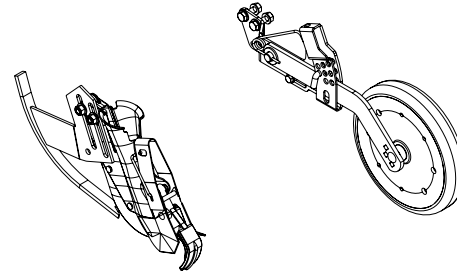
RS 4

G4-01



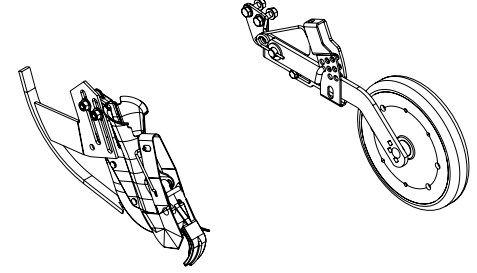
RS 4
04/RS 02 102 →...

G5-00



RS

G5-01

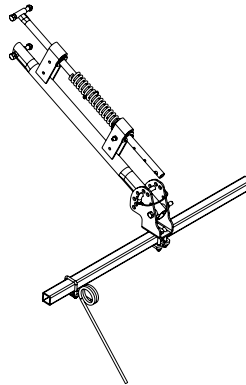


RS
04/RS 03 105 →...

H

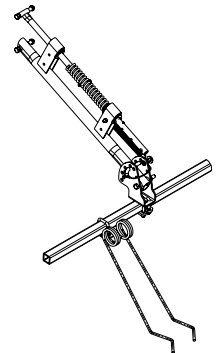
RECOUVREMENT
REAR HARROW
STRIEGEL

H1-00



RS

H2-00

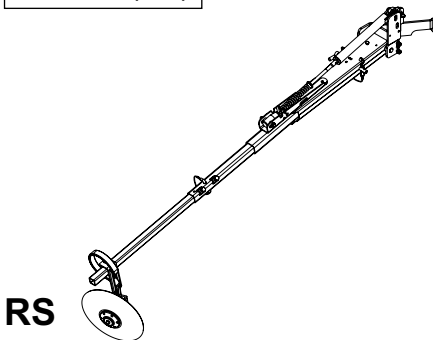


RS

I

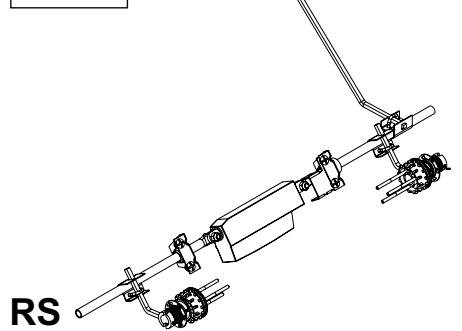
REPERAGE
MARKING
SPURANREISSER UND
FAHRGASSEN-ANLAGE

I1-00 + (bis)



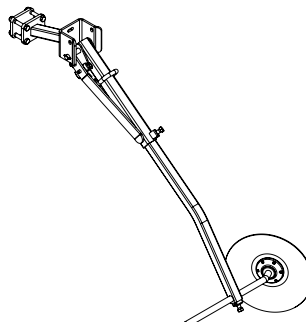
RS

I3-00



RS

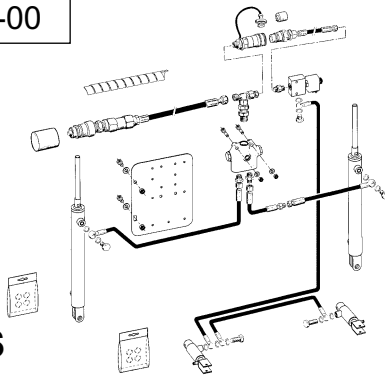
I4-00



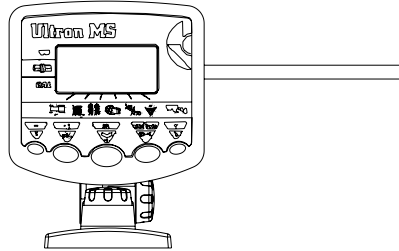
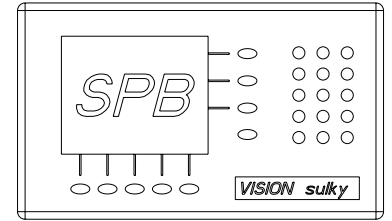
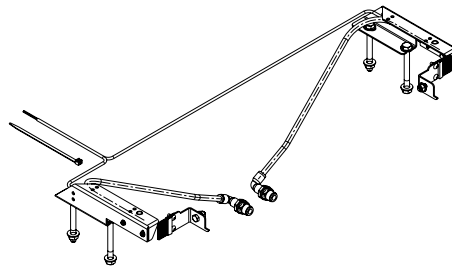
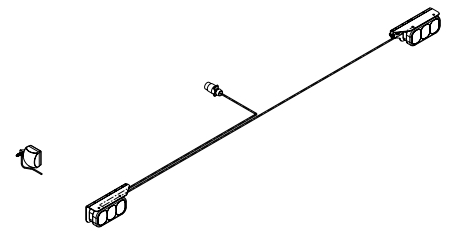
RS

J

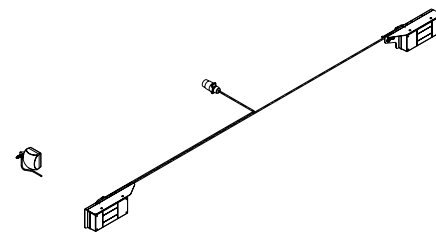
KITS HYDRAULIQUES
HYDRAULIC KITS
HYDRAULIK-AUSRÜSTUNG

J1-00**RS****K**

**KITS ELECTRIQUES -
 ELECTRONIQUES**
ELECTRIC-ELECTRONIC KITS
**ELEKTR-ELEKTRON
 STREUERUNG**

K3-00**RS****K5-00****RS****K6-00****RS****K7-00****RS****K7-01**

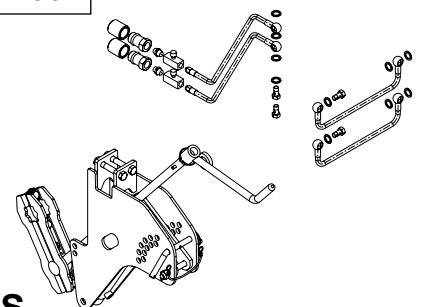
RS
05/RS 03 101 →...

**L**

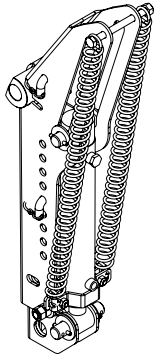
**ACCESSOIRES /
 OPTIONS**
ACCESSORIES / OPTIONS
**ZUSATZAUSRÜSTUNGEN /
 OPTIONEN**

L1-00**RS****L4-00**

RS
03/RS 07 109 →...



L5-00



RS

LISTING CODE CATALOGUE PIÈCES REGULINE SPI - 00

| PLANCHE | REP. | CODE | DÉSIGNATION |
|-------------|------|--------|---------------------------------|
| K6-00 | 18 | 415701 | Tuyau polyamide d8 au m |
| B1-00 | 13 | 415715 | Bouchon d16 gpn 300 f15 nat |
| E1-00 | 20 | 415715 | Bouchon d16 gpn 300 f15 nat |
| B1-00 | 12 | 415716 | Bouchon d9 gpn 300 f041 nat |
| C2-00 | 48 | 415716 | Bouchon d9 gpn 300 f041 nat |
| E1-00 | 23 | 415716 | Bouchon d9 gpn 300 f041 nat |
| K6-00 | 6 | 415716 | Bouchon d9 gpn 300 f041 nat |
| G4-00 | 29 | 415717 | Bouchon gpn 910 noir |
| G4-01 | 32 | 415717 | Bouchon gpn 910 noir |
| D2-00 | 26 | 415727 | Bouchon 120x60 gpn 270 |
| D2-01 | 27 | 415727 | Bouchon 120x60 gpn 270 |
| D3-00 | 33 | 415727 | Bouchon 120x60 gpn 270 |
| B1-00 | 30 | 415730 | Bouchon d23 sr1500 11780 |
| C2-00 | 41 | 415731 | Bouchon d12 sr1024 12760 |
| F5-00 | 6 | 415734 | Bouchon d200 das 34183 |
| G1-00 | 20 | 415741 | Bouchon 35x35 sr1540 noir |
| G1-01 | 20 | 415741 | Bouchon 35x35 sr1540 noir |
| G1-00 | 19 | 415742 | Bouchon d42 noir sr1530 |
| G1-01 | 19 | 415742 | Bouchon d42 noir sr1530 |
| D1-00 | 13 | 415749 | Poignee k 14x4x25 noir |
| C2-00 | 32 | 415750 | Poignee k 28x5x60 noir |
| I4-00 | 14 | 415750 | Poignee k 28x5x60 noir |
| E1-00 | 28 | 463503 | Joint de couvercle au m |
| D1-00 | 23 | 480002 | Huile fluide atx 1 litre |
| L1-00 | 33 | 480003 | Pot de graisse 1kg |
| F2-00 | 16 | 480004 | Huile tm sae 85w-140 api-gl5 1l |
| L1-00 | 36 | 491850 | Bombe 400ml bleu ral 5021 |
| L1-00 | 37 | 491870 | Bombe 400ml rouge ral 3020 |
| C2-00 (bis) | 74 | 525652 | Vis trcc 6x12 zn 6 c fe |
| C1-00 (bis) | 13 | 525854 | Vis trcc 8x20 zn 6 c fe |
| B1-00 | 16 | 535853 | Vis trl 8x16 zn 6 c fe |
| C2-00 | 5 | 535853 | Vis trl 8x16 zn 6 c fe |
| I3-00 | 4 | 535853 | Vis trl 8x16 zn 6 c fe |
| K3-00 | 28 | 535853 | Vis trl 8x16 zn 6 c fe |
| K5-00 | 32 | 535853 | Vis trl 8x16 zn 6 c fe |
| H1-00 | 9 | 551650 | Vis h 6x50 zn bcr fp |
| G4-00 | 30 | 551662 | Vis h 6x12 zn 6 c fe fst |
| G4-01 | 33 | 551662 | Vis h 6x12 zn 6 c fe fst |
| C2-00 | 21 | 551666 | Vis h 6x16 zn 6 c fe 8 8 fst |
| D4-00 | 2 | 551666 | Vis h 6x16 zn 6 c fe 8 8 fst |
| D4-00 (bis) | 9 | 551666 | Vis h 6x16 zn 6 c fe 8 8 fst |
| E1-00 | 17 | 551666 | Vis h 6x16 zn 6 c fe 8 8 fst |
| K3-00 | 12 | 551666 | Vis h 6x16 zn 6 c fe 8 8 fst |

| PLANCHE | REP. | CODE | DÉSIGNATION |
|-------------|------|--------|------------------------------|
| K5-00 | 17 | 551666 | Vis h 6x16 zn 6 c fe 8 8 fst |
| K6-00 | 9 | 551666 | Vis h 6x16 zn 6 c fe 8 8 fst |
| G4-00 | 20 | 551680 | Vis h 6x20 zn 6 c fe fp |
| G4-01 | 21 | 551680 | Vis h 6x20 zn 6 c fe fp |
| K3-00 | 14 | 551680 | Vis h 6x20 zn 6 c fe fp |
| K5-00 | 19 | 551680 | Vis h 6x20 zn 6 c fe fp |
| F1-00 | 4 | 551684 | Vis h 6x30 zn 6 c fe fp |
| K3-00 | 18 | 551684 | Vis h 6x30 zn 6 c fe fp |
| K5-00 | 22 | 551684 | Vis h 6x30 zn 6 c fe fp |
| I4-00 | 9 | 551685 | Vis h 6x35 zn 6 c fe |
| K7-00 | 12 | 551685 | Vis h 6x35 zn 6 c fe |
| K7-01 | 13 | 551685 | Vis h 6x35 zn 6 c fe |
| B1-00 | 27 | 551695 | Vis h 6x65 zn 6 c fe fp |
| G1-00 (bis) | 23 | 551850 | Vis h 8x50 fp |
| A1-00 | 23 | 551865 | Vis h 8x15 zn 6 c fe fst |
| A1-01 | 23 | 551865 | Vis h 8x15 zn 6 c fe fst |
| B1-00 | 7 | 551865 | Vis h 8x15 zn 6 c fe fst |
| C1-00 (bis) | 2 | 551865 | Vis h 8x15 zn 6 c fe fst |
| A1-00 | 30 | 551870 | Vis h 8x20 zn 6 c fe 8 8 fst |
| A1-01 | 30 | 551870 | Vis h 8x20 zn 6 c fe 8 8 fst |
| B2-00 | 2 | 551870 | Vis h 8x20 zn 6 c fe 8 8 fst |
| D1-00 | 1 | 551870 | Vis h 8x20 zn 6 c fe 8 8 fst |
| D4-00 (bis) | 2 | 551870 | Vis h 8x20 zn 6 c fe 8 8 fst |
| F5-00 | 15 | 551870 | Vis h 8x20 zn 6 c fe 8 8 fst |
| K3-00 | 33 | 551870 | Vis h 8x20 zn 6 c fe 8 8 fst |
| K5-00 | 37 | 551870 | Vis h 8x20 zn 6 c fe 8 8 fst |
| K7-00 | 3 | 551870 | Vis h 8x20 zn 6 c fe 8 8 fst |
| K7-01 | 3 | 551870 | Vis h 8x20 zn 6 c fe 8 8 fst |
| B3-00 | 2 | 551875 | Vis h 8x25 zn 6 c fe fp |
| E1-00 | 4 | 551875 | Vis h 8x25 zn 6 c fe fp |
| F2-00 | 44 | 551875 | Vis h 8x25 zn 6 c fe fp |
| F5-00 | 2 | 551875 | Vis h 8x25 zn 6 c fe fp |
| K3-00 | 21 | 551875 | Vis h 8x25 zn 6 c fe fp |
| K5-00 | 25 | 551875 | Vis h 8x25 zn 6 c fe fp |
| L5-00 | 19 | 551875 | Vis h 8x25 zn 6 c fe fp |
| A1-00 | 9 | 551885 | Vis h 8x35 zn 6 c fe fp |
| A1-01 | 9 | 551885 | Vis h 8x35 zn 6 c fe fp |
| B1-00 | 14 | 551885 | Vis h 8x35 zn 6 c fe fp |
| D2-00 | 41 | 551890 | Vis h 8x40 zn 6 c fe fp |
| D2-01 | 39 | 551890 | Vis h 8x40 zn 6 c fe fp |
| D3-00 | 47 | 551890 | Vis h 8x40 zn 6 c fe fp |
| J1-00 | 2 | 551890 | Vis h 8x40 zn 6 c fe fp |
| D3-00 | 40 | 551900 | Vis h 8x50 zn 6 c fe fst |

| PLANCHE | REP. | CODE | DÉSIGNATION |
|-------------|------|--------|------------------------------|
| G5-00 | 18 | 551900 | Vis h 8x50 zn 6 c fe fst |
| G5-01 | 15 | 551900 | Vis h 8x50 zn 6 c fe fst |
| H1-00 | 2 | 551900 | Vis h 8x50 zn 6 c fe fst |
| H2-00 | 1 | 551900 | Vis h 8x50 zn 6 c fe fst |
| G2-00 | 24 | 551920 | Vis h 8x70 zn 6 c fe fp |
| A2-00 | 3 | 551930 | Vis h 8x80 zn 6 c fe 8 8 fp |
| K6-00 | 3 | 551930 | Vis h 8x80 zn 6 c fe 8 8 fp |
| F2-00 | 38 | 551950 | Vis h 8x150 zn 6 c fe fp |
| G2-00 | 32 | 552025 | Vis h 10x25 8 8 fst |
| G2-01 | 27 | 552025 | Vis h 10x25 8 8 fst |
| G5-00 | 2 | 552040 | Vis h 10x40 zn 6 c fe fst |
| G5-00 | 27 | 552040 | Vis h 10x40 zn 6 c fe fst |
| G5-01 | 2 | 552040 | Vis h 10x40 zn 6 c fe fst |
| G5-01 | 24 | 552040 | Vis h 10x40 zn 6 c fe fst |
| G2-01 | 3 | 552054 | Vis h 10x120 fp |
| G3-01 | 3 | 552054 | Vis h 10x120 fp |
| B4-00 | 10 | 552070 | Vis h 10x20 zn 6 c fe |
| F2-00 | 8 | 552070 | Vis h 10x20 zn 6 c fe |
| J1-00 | 11 | 552070 | Vis h 10x20 zn 6 c fe |
| G4-00 | 13 | 552075 | Vis h 10x30 bp 90 |
| G4-01 | 14 | 552075 | Vis h 10x30 bp 90 |
| C2-00 | 18 | 552076 | Vis h 10x25 zn 6 c fe fst |
| D4-00 (bis) | 19 | 552076 | Vis h 10x25 zn 6 c fe fst |
| F2-00 | 14 | 552076 | Vis h 10x25 zn 6 c fe fst |
| K3-00 | 24 | 552076 | Vis h 10x25 zn 6 c fe fst |
| K5-00 | 28 | 552076 | Vis h 10x25 zn 6 c fe fst |
| A3-00 | 15 | 552080 | Vis h 10x30 zn 6 c fe fp |
| F2-00 | 11 | 552080 | Vis h 10x30 zn 6 c fe fp |
| F4-00 | 4 | 552080 | Vis h 10x30 zn 6 c fe fp |
| G1-01 (bis) | 28 | 552080 | Vis h 10x30 zn 6 c fe fp |
| G3-00 | 18 | 552080 | Vis h 10x30 zn 6 c fe fp |
| G4-01 | 25 | 552080 | Vis h 10x30 zn 6 c fe fp |
| F4-00 | 5 | 552085 | Vis h 10x35 zn 6 c fe fst |
| G3-01 | 37 | 552085 | Vis h 10x35 zn 6 c fe fst |
| G4-00 | 4 | 552085 | Vis h 10x35 zn 6 c fe fst |
| G4-01 | 4 | 552085 | Vis h 10x35 zn 6 c fe fst |
| H2-00 | 9 | 552085 | Vis h 10x35 zn 6 c fe fst |
| I3-00 | 1 | 552085 | Vis h 10x35 zn 6 c fe fst |
| D4-00 | 16 | 552100 | Vis h 10x50 zn 6 c fe fp |
| D4-00 (bis) | 28 | 552100 | Vis h 10x50 zn 6 c fe fp |
| F4-00 | 2 | 552100 | Vis h 10x50 zn 6 c fe fp |
| D4-00 (bis) | 43 | 552115 | Vis h 10x60 zn 6 c fe 8 8 fp |
| A2-00 | 8 | 552125 | Vis h 10x70 6 c fe 8 8 fp |

LISTING CODE CATALOGUE PIÈCES REGULINE SPI - 00

| PLANCHE | REP. | CODE | DÉSIGNATION |
|-------------|------|--------|-------------------------------|
| A4-00 | 15 | 552130 | Vis h 10x80 zn 6 c fe fp |
| A4-00 (bis) | 16 | 552130 | Vis h 10x80 zn 6 c fe fp |
| B1-00 | 4 | 552130 | Vis h 10x80 zn 6 c fe fp |
| C2-00 | 2 | 552130 | Vis h 10x80 zn 6 c fe fp |
| I1-00 (bis) | 43 | 552130 | Vis h 10x80 zn 6 c fe fp |
| E1-00 | 7 | 552135 | Vis h 10x90 zn 6 c fe fp 6-8 |
| I1-00 | 32 | 552135 | Vis h 10x90 zn 6 c fe fp 6-8 |
| G2-00 | 11 | 552140 | Vis h 10x100 zn 6 c fe 8 8 fp |
| K3-00 | 34 | 552140 | Vis h 10x100 zn 6 c fe 8 8 fp |
| K5-00 | 38 | 552140 | Vis h 10x100 zn 6 c fe 8 8 fp |
| L5-00 | 21 | 552170 | Vis h 10x120 zn 6 c fe fp |
| G5-00 | 37 | 552276 | Vis h 12x25 zn 6 c fe 8 8 fst |
| G5-01 | 34 | 552276 | Vis h 12x25 zn 6 c fe 8 8 fst |
| B4-00 | 2 | 552285 | Vis h 12x35 zn 6 c fe fst |
| G5-00 | 38 | 552285 | Vis h 12x35 zn 6 c fe fst |
| G5-01 | 35 | 552285 | Vis h 12x35 zn 6 c fe fst |
| I1-00 | 3 | 552285 | Vis h 12x35 zn 6 c fe fst |
| A3-00 | 42 | 552296 | Vis h 12x50 zn 6 c fe 8 8 fp |
| B4-00 | 5 | 552296 | Vis h 12x50 zn 6 c fe 8 8 fp |
| A3-00 | 19 | 552298 | Vis h 12x80 zn 6 c fe fp |
| G1-01(bis) | 34 | 552298 | Vis h 12x80 zn 6 c fe fp |
| H1-00 | 32 | 552298 | Vis h 12x80 zn 6 c fe fp |
| I4-00 | 7 | 552298 | Vis h 12x80 zn 6 c fe fp |
| L4-00 | 4 | 552298 | Vis h 12x80 zn 6 c fe fp |
| G1-00 (bis) | 33 | 552299 | Vis h 12x90 zn 6 c fe |
| H1-00 | 15 | 552299 | Vis h 12x90 zn 6 c fe |
| I1-00 | 27 | 552299 | Vis h 12x90 zn 6 c fe |
| L4-00 | 7 | 552299 | Vis h 12x90 zn 6 c fe |
| L5-00 | 8 | 552299 | Vis h 12x90 zn 6 c fe |
| I1-00 | 34 | 552440 | Vis h 14x40 zn 6 c fe 8 8 fst |
| I4-00 | 4 | 552440 | Vis h 14x40 zn 6 c fe 8 8 fst |
| I4-00 | 25 | 552540 | Vis h 14x90 zn 6 c fe |
| A4-00 | 7 | 552690 | Vis h 16x40 zn 6 c fe fp |
| A4-00 (bis) | 12 | 552690 | Vis h 16x40 zn 6 c fe fp |
| A4-00 | 3 | 552720 | Vis h 16x70 zn 6 c fe fp |
| A4-00 (bis) | 2 | 552720 | Vis h 16x70 zn 6 c fe fp |
| D2-00 | 37 | 552720 | Vis h 16x70 zn 6 c fe fp |
| D3-00 | 43 | 552720 | Vis h 16x70 zn 6 c fe fp |
| I1-00 | 19 | 552720 | Vis h 16x70 zn 6 c fe fp |
| A3-00 | 26 | 552730 | Vis h 16x80 zn 6 c fe fp |
| I1-00 | 29 | 552733 | Vis h 16x100 zn 6 c fe fp |
| A1-01 | 12 | 552735 | Vis h 16 110 zn 6 c fe fp |
| G2-01 | 19 | 552880 | Vis trcc 8x80 fp 8 8 |

| PLANCHE | REP. | CODE | DÉSIGNATION |
|-------------|------|--------|---------------------------------|
| G3-01 | 17 | 552880 | Vis trcc 8x80 fp 8 8 |
| A1-00 | 12 | 553110 | Vis h 20x110 zn 6 c fe fp |
| G4-00 | 18 | 553110 | Vis h 20x110 zn 6 c fe fp |
| G4-01 | 19 | 553110 | Vis h 20x110 zn 6 c fe fp |
| A3-00 | 34 | 553115 | Vis h 20x110 10 9 fp |
| A3-00 | 50 | 553140 | Vis h 20x140 10 9 fp |
| D2-00 | 33 | 553140 | Vis h 20x140 10 9 fp |
| D2-01 | 33 | 553140 | Vis h 20x140 10 9 fp |
| F4-00 | 9 | 553535 | Vis chc 5x35 10 9 fp |
| C2-00 (bis) | 66 | 553612 | Vis chc 6x12 zn 6 c fe fst |
| G4-00 | 12 | 553850 | Vis chc 8x50 zn 6 c fe 8 8 |
| G4-01 | 13 | 553850 | Vis chc 8x50 zn 6 c fe 8 8 |
| D2-00 | 23 | 554090 | Vis chc 10x90 zn 6 c fe 8 8 fp |
| D2-01 | 24 | 554090 | Vis chc 10x90 zn 6 c fe 8 8 fp |
| D3-00 | 30 | 554090 | Vis chc 10x90 zn 6 c fe 8 8 fp |
| G1-00 | 12 | 554240 | Vis chc 12x40 classe 12 9 |
| G1-01 | 12 | 554240 | Vis chc 12x40 classe 12 9 |
| F2-00 | 4 | 554250 | Vis chc 12x55 classe 12 9 |
| I1-00 | 16 | 554250 | Vis chc 12x55 classe 12 9 |
| I1-00 (bis) | 48 | 554250 | Vis chc 12x55 classe 12 9 |
| I3-00 | 9 | 554610 | Vis sthc 6x10 bout cuvette |
| G3-00 | 11 | 555652 | Vis fbz m 6x12 inox a2 70 |
| G3-01 | 30 | 555652 | Vis fbz m 6x12 inox a2 70 |
| B3-00 | 5 | 555825 | Vis bhc 8x25 inox a2 70 |
| K6-00 | 15 | 556365 | Vis tc fend m3x15 zn 6 c fe 4 8 |
| I1-00 (bis) | 57 | 556665 | Vis tc fend m6x16 zn 6 c fe 4 8 |
| I4-00 | 21 | 556665 | Vis tc fend m6x16 zn 6 c fe 4 8 |
| L5-00 | 6 | 557610 | Vis cbl z st3 5x9 5 inox a2 70 |
| D2-00 | 27 | 557612 | Vis ds c st5 5x16 zn 6 c fe |
| D2-01 | 13 | 557612 | Vis ds c st5 5x16 zn 6 c fe |
| D3-00 | 19 | 557612 | Vis ds c st5 5x16 zn 6 c fe |
| A3-00 | 38 | 558470 | Vis h 14x70 inox a2 70 fp |
| L4-00 | 10 | 558470 | Vis h 14x70 inox a2 70 fp |
| C1-00 (bis) | 17 | 558830 | Vis h 8x30 inox a2 70 fp |
| B2-00 | 7 | 558835 | Vis h 8x35 inox a2 70 fp |
| F2-00 | 41 | 558916 | Vis trcc 8x16 inox a2 70 |
| B1-00 | 10 | 558925 | Vis trcc 8x25 inox a2 70 |
| B2-00 | 12 | 558925 | Vis trcc 8x25 inox a2 70 |
| B2-00 | 15 | 558930 | Vis trcc 8x30 inox a2 70 |
| G5-00 | 16 | 558970 | Vis trcc 8x70 inox a2 70 |
| G5-01 | 13 | 558970 | Vis trcc 8x70 inox a2 70 |
| A1-00 | 4 | 558975 | Vis trcc 10x25 inox a2 70 fst |
| A1-01 | 4 | 558975 | Vis trcc 10x25 inox a2 70 fst |

| PLANCHE | REP. | CODE | DÉSIGNATION |
|-------------|------|--------|--------------------|
| G1-00 | 18 | 571108 | Ecrou h8 |
| G1-01 | 18 | 571108 | Ecrou h8 |
| G2-00 | 26 | 571108 | Ecrou h8 |
| G2-01 | 21 | 571108 | Ecrou h8 |
| G3-01 | 19 | 571108 | Ecrou h8 |
| H1-00 | 31 | 571108 | Ecrou h8 |
| G1-01(bis) | 30 | 571110 | Ecrou h10 |
| G2-00 | 13 | 571110 | Ecrou h10 |
| G2-01 | 5 | 571110 | Ecrou h10 |
| G3-01 | 5 | 571110 | Ecrou h10 |
| G4-00 | 1 | 571110 | Ecrou h10 |
| G4-00 | 34 | 571110 | Ecrou h10 |
| G4-01 | 1 | 571110 | Ecrou h10 |
| G4-01 | 37 | 571110 | Ecrou h10 |
| H2-00 | 6 | 571110 | Ecrou h10 |
| G1-00 (bis) | 34 | 571112 | Ecrou h12 |
| G1-01(bis) | 35 | 571112 | Ecrou h12 |
| K6-00 | 17 | 571203 | Ecrou h3 zn 6 c fe |
| I3-00 | 15 | 571205 | Ecrou h5 zn 6 c fe |
| B1-00 | 29 | 571206 | Ecrou h6 zn 6 c fe |
| C2-00 | 23 | 571206 | Ecrou h6 zn 6 c fe |
| D4-00 | 3 | 571206 | Ecrou h6 zn 6 c fe |
| D4-00 (bis) | 11 | 571206 | Ecrou h6 zn 6 c fe |
| F2-00 (bis) | 11 | 571206 | Ecrou h6 zn 6 c fe |
| F5-00 | 13 | 571206 | Ecrou h6 zn 6 c fe |
| G3-00 | 12 | 571206 | Ecrou h6 zn 6 c fe |
| G3-01 | 31 | 571206 | Ecrou h6 zn 6 c fe |
| G4-00 | 22 | 571206 | Ecrou h6 zn 6 c fe |
| G4-00 | 30 | 571206 | Ecrou h6 zn 6 c fe |
| G4-01 | 23 | 571206 | Ecrou h6 zn 6 c fe |
| G4-01 | 33 | 571206 | Ecrou h6 zn 6 c fe |
| K3-00 | 13 | 571206 | Ecrou h6 zn 6 c fe |
| K5-00 | 16 | 571206 | Ecrou h6 zn 6 c fe |
| K6-00 | 11 | 571206 | Ecrou h6 zn 6 c fe |
| K7-00 | 13 | 571206 | Ecrou h6 zn 6 c fe |
| K7-01 | 14 | 571206 | Ecrou h6 zn 6 c fe |
| A1-00 | 32 | 571208 | Ecrou h8 zn 6 c fe |
| A1-01 | 32 | 571208 | Ecrou h8 zn 6 c fe |
| A2-00 | 4 | 571208 | Ecrou h8 zn 6 c fe |
| B1-00 | 9 | 571208 | Ecrou h8 zn 6 c fe |
| B2-00 | 4 | 571208 | Ecrou h8 zn 6 c fe |
| C1-00 (bis) | 4 | 571208 | Ecrou h8 zn 6 c fe |
| C2-00 | 7 | 571208 | Ecrou h8 zn 6 c fe |

LISTING CODE CATALOGUE PIÈCES REGULINE SPI - 00

| PLANCHE | REP. | CODE | DÉSIGNATION |
|-------------|------|--------|----------------------|
| D1-00 | 3 | 571208 | Ecrrou h8 zn 6 c fe |
| D3-00 | 41 | 571208 | Ecrrou h8 zn 6 c fe |
| D4-00 (bis) | 4 | 571208 | Ecrrou h8 zn 6 c fe |
| F5-00 | 4 | 571208 | Ecrrou h8 zn 6 c fe |
| H2-00 | 8 | 571208 | Ecrrou h8 zn 6 c fe |
| I3-00 | 6 | 571208 | Ecrrou h8 zn 6 c fe |
| J1-00 | 4 | 571208 | Ecrrou h8 zn 6 c fe |
| K3-00 | 22 | 571208 | Ecrrou h8 zn 6 c fe |
| K5-00 | 26 | 571208 | Ecrrou h8 zn 6 c fe |
| K7-00 | 5 | 571208 | Ecrrou h8 zn 6 c fe |
| K7-01 | 5 | 571208 | Ecrrou h8 zn 6 c fe |
| A2-00 | 9 | 571210 | Ecrrou h10 zn 6 c fe |
| A3-00 | 17 | 571210 | Ecrrou h10 zn 6 c fe |
| A4-00 | 16 | 571210 | Ecrrou h10 zn 6 c fe |
| A4-00 (bis) | 17 | 571210 | Ecrrou h10 zn 6 c fe |
| B4-00 | 12 | 571210 | Ecrrou h10 zn 6 c fe |
| C2-00 | 19 | 571210 | Ecrrou h10 zn 6 c fe |
| D4-00 | 19 | 571210 | Ecrrou h10 zn 6 c fe |
| D4-00 (bis) | 21 | 571210 | Ecrrou h10 zn 6 c fe |
| G4-00 | 14 | 571210 | Ecrrou h10 zn 6 c fe |
| G4-01 | 15 | 571210 | Ecrrou h10 zn 6 c fe |
| G5-00 | 29 | 571210 | Ecrrou h10 zn 6 c fe |
| G5-01 | 26 | 571210 | Ecrrou h10 zn 6 c fe |
| H2-00 | 11 | 571210 | Ecrrou h10 zn 6 c fe |
| J1-00 | 13 | 571210 | Ecrrou h10 zn 6 c fe |
| K3-00 | 35 | 571210 | Ecrrou h10 zn 6 c fe |
| K5-00 | 39 | 571210 | Ecrrou h10 zn 6 c fe |
| K7-00 | 10 | 571210 | Ecrrou h10 zn 6 c fe |
| K7-01 | 11 | 571210 | Ecrrou h10 zn 6 c fe |
| B4-00 | 3 | 571212 | Ecrrou h12 zn 6 c fe |
| D4-00 (bis) | 44 | 571212 | Ecrrou h12 zn 6 c fe |
| G1-00 | 14 | 571212 | Ecrrou h12 zn 6 c fe |
| G5-00 | 39 | 571212 | Ecrrou h12 zn 6 c fe |
| G5-01 | 36 | 571212 | Ecrrou h12 zn 6 c fe |
| L4-00 | 5 | 571212 | Ecrrou h12 zn 6 c fe |
| L5-00 | 10 | 571212 | Ecrrou h12 zn 6 c fe |
| I1-00 | 35 | 571214 | Ecrrou h14 zn 6 c fe |
| I4-00 | 3 | 571214 | Ecrrou h14 zn 6 c fe |
| D2-00 | 38 | 571216 | Ecrrou h16 zn 6 c fe |
| D3-00 | 44 | 571216 | Ecrrou h16 zn 6 c fe |
| I1-00 | 20 | 571216 | Ecrrou h16 zn 6 c fe |
| A1-00 | 14 | 571220 | Ecrrou h20 zn 6 c fe |
| A3-00 | 35 | 571220 | Ecrrou h20 zn 6 c fe |

| PLANCHE | REP. | CODE | DÉSIGNATION |
|-------------|------|--------|----------------------------------|
| D2-00 | 34 | 571220 | Ecrrou h20 zn 6 c fe |
| D2-01 | 34 | 571220 | Ecrrou h20 zn 6 c fe |
| A1-00 | 31 | 571278 | Ecrrou hm 8 inox a2 70 |
| A1-01 | 31 | 571278 | Ecrrou hm 8 inox a2 70 |
| B1-00 | 11 | 571278 | Ecrrou hm 8 inox a2 70 |
| A3-00 | 36 | 571320 | Ecrrou hm 20 zn 6 c fe |
| F2-00 | 34 | 571320 | Ecrrou hm 20 zn 6 c fe |
| D4-00 | 18 | 571360 | Ecrrou hm 10 zn 6 c fe |
| D4-00 (bis) | 45 | 571360 | Ecrrou hm 10 zn 6 c fe |
| H2-00 | 12 | 571360 | Ecrrou hm 10 zn 6 c fe |
| E1-00 | 6 | 571362 | Ecrrou hm 12 zn 6 c fe |
| H1-00 | 33 | 571362 | Ecrrou hm 12 zn 6 c fe |
| G3-00 | 15 | 571366 | Ecrrou hm 16 zn 6 c fe |
| G3-01 | 34 | 571366 | Ecrrou hm 16 zn 6 c fe |
| I1-00 | 25 | 571366 | Ecrrou hm 16 zn 6 c fe |
| C2-00 | 46 | 571406 | Ecrrou frein nylon h6 zn 6 c fe |
| F1-00 | 6 | 571406 | Ecrrou frein nylon h6 zn 6 c fe |
| H1-00 | 10 | 571406 | Ecrrou frein nylon h6 zn 6 c fe |
| I1-00 (bis) | 58 | 571406 | Ecrrou frein nylon h6 zn 6 c fe |
| I4-00 | 10 | 571406 | Ecrrou frein nylon h6 zn 6 c fe |
| I4-00 | 22 | 571406 | Ecrrou frein nylon h6 zn 6 c fe |
| K3-00 | 16 | 571406 | Ecrrou frein nylon h6 zn 6 c fe |
| K5-00 | 20 | 571406 | Ecrrou frein nylon h6 zn 6 c fe |
| B2-00 | 10 | 571408 | Ecrrou frein nylon h8 inox a2 70 |
| F2-00 | 43 | 571408 | Ecrrou frein nylon h8 inox a2 70 |
| G5-00 | 20 | 571408 | Ecrrou frein nylon h8 inox a2 70 |
| G5-01 | 17 | 571408 | Ecrrou frein nylon h8 inox a2 70 |
| A1-00 | 28 | 571414 | Ecrrou frein nylon h14 zn 6 c fe |
| A1-01 | 28 | 571414 | Ecrrou frein nylon h14 zn 6 c fe |
| A3-00 | 40 | 571414 | Ecrrou frein nylon h14 zn 6 c fe |
| I4-00 | 26 | 571414 | Ecrrou frein nylon h14 zn 6 c fe |
| A1-01 | 14 | 571416 | Ecrrou frein nylon h16 zn 6 c fe |
| A4-00 (bis) | 4 | 571416 | Ecrrou frein nylon h16 zn 6 c fe |
| I1-00 | 31 | 571416 | Ecrrou frein nylon h16 zn 6 c fe |
| A1-00 | 10 | 571458 | Ecrrou frein h8 zn 6 c fe |
| A1-01 | 10 | 571458 | Ecrrou frein h8 zn 6 c fe |
| B3-00 | 4 | 571458 | Ecrrou frein h8 zn 6 c fe |
| C1-00 (bis) | 15 | 571458 | Ecrrou frein h8 zn 6 c fe |
| D2-00 | 42 | 571458 | Ecrrou frein h8 zn 6 c fe |
| D2-01 | 40 | 571458 | Ecrrou frein h8 zn 6 c fe |
| D3-00 | 48 | 571458 | Ecrrou frein h8 zn 6 c fe |
| D4-00 (bis) | 6 | 571458 | Ecrrou frein h8 zn 6 c fe |
| F2-00 | 39 | 571458 | Ecrrou frein h8 zn 6 c fe |

| PLANCHE | REP. | CODE | DÉSIGNATION |
|-------------|------|--------|----------------------------------|
| G1-00 (bis) | 24 | 571458 | Ecrrou frein h8 zn 6 c fe |
| G2-00 | 17 | 571458 | Ecrrou frein h8 zn 6 c fe |
| G4-00 | 10 | 571458 | Ecrrou frein h8 zn 6 c fe |
| G4-01 | 11 | 571458 | Ecrrou frein h8 zn 6 c fe |
| H1-00 | 3 | 571458 | Ecrrou frein h8 zn 6 c fe |
| K3-00 | 29 | 571458 | Ecrrou frein h8 zn 6 c fe |
| K5-00 | 33 | 571458 | Ecrrou frein h8 zn 6 c fe |
| K6-00 | 5 | 571458 | Ecrrou frein h8 zn 6 c fe |
| L5-00 | 20 | 571458 | Ecrrou frein h8 zn 6 c fe |
| A1-00 | 6 | 571460 | Ecrrou frein nylon h10 zn 6 c fe |
| A1-01 | 6 | 571460 | Ecrrou frein nylon h10 zn 6 c fe |
| B1-00 | 6 | 571460 | Ecrrou frein nylon h10 zn 6 c fe |
| C2-00 | 4 | 571460 | Ecrrou frein nylon h10 zn 6 c fe |
| D2-00 | 25 | 571460 | Ecrrou frein nylon h10 zn 6 c fe |
| D2-01 | 26 | 571460 | Ecrrou frein nylon h10 zn 6 c fe |
| D3-00 | 32 | 571460 | Ecrrou frein nylon h10 zn 6 c fe |
| E1-00 | 9 | 571460 | Ecrrou frein nylon h10 zn 6 c fe |
| F2-00 | 12 | 571460 | Ecrrou frein nylon h10 zn 6 c fe |
| F4-00 | 3 | 571460 | Ecrrou frein nylon h10 zn 6 c fe |
| G3-00 | 19 | 571460 | Ecrrou frein nylon h10 zn 6 c fe |
| G3-01 | 38 | 571460 | Ecrrou frein nylon h10 zn 6 c fe |
| G4-00 | 5 | 571460 | Ecrrou frein nylon h10 zn 6 c fe |
| G4-01 | 5 | 571460 | Ecrrou frein nylon h10 zn 6 c fe |
| G5-00 | 5 | 571460 | Ecrrou frein nylon h10 zn 6 c fe |
| G5-01 | 5 | 571460 | Ecrrou frein nylon h10 zn 6 c fe |
| H1-00 | 22 | 571460 | Ecrrou frein nylon h10 zn 6 c fe |
| I1-00 | 33 | 571460 | Ecrrou frein nylon h10 zn 6 c fe |
| I1-00 (bis) | 45 | 571460 | Ecrrou frein nylon h10 zn 6 c fe |
| I3-00 | 2 | 571460 | Ecrrou frein nylon h10 zn 6 c fe |
| L5-00 | 22 | 571460 | Ecrrou frein nylon h10 zn 6 c fe |
| A3-00 | 44 | 571462 | Ecrrou frein h12 zn 6 c fe |
| F2-00 | 6 | 571462 | Ecrrou frein h12 zn 6 c fe |
| G1-01 | 14 | 571462 | Ecrrou frein h12 zn 6 c fe |
| G2-00 | 4 | 571462 | Ecrrou frein h12 zn 6 c fe |
| G5-00 | 35 | 571462 | Ecrrou frein h12 zn 6 c fe |
| G5-01 | 32 | 571462 | Ecrrou frein h12 zn 6 c fe |
| H1-00 | 16 | 571462 | Ecrrou frein h12 zn 6 c fe |
| I1-00 | 6 | 571462 | Ecrrou frein h12 zn 6 c fe |
| I1-00 (bis) | 50 | 571462 | Ecrrou frein h12 zn 6 c fe |
| I4-00 | 8 | 571462 | Ecrrou frein h12 zn 6 c fe |
| L4-00 | 8 | 571462 | Ecrrou frein h12 zn 6 c fe |
| A3-00 | 27 | 571466 | Ecrrou frein h16 zn 6 c fe |
| A4-00 | 5 | 571466 | Ecrrou frein h16 zn 6 c fe |

LISTING CODE CATALOGUE PIÈCES REGULINE SPI - 00

| PLANCHE | REP. | CODE | DÉSIGNATION |
|-------------|------|--------|---------------------------|
| D4-00 | 13 | 571915 | Ecrou cage m6 ep 1 1 |
| D4-00 (bis) | 37 | 571915 | Ecrou cage m6 ep 1 1 |
| E1-00 | 16 | 571916 | Ecrou cage m6 ep 3 5 |
| A1-00 | 25 | 571919 | Ecrou cage m8 inox ep 4 7 |
| A1-01 | 25 | 571919 | Ecrou cage m8 inox ep 4 7 |
| E1-00 | 3 | 571919 | Ecrou cage m8 inox ep 4 7 |
| B2-00 | 9 | 573008 | Rondelle nylon pa66 8 |
| B3-00 | 6 | 573008 | Rondelle nylon pa66 8 |
| B1-00 | 28 | 573107 | Rondelle m6 n zn 6 c fe |
| C2-00 | 30 | 573107 | Rondelle m6 n zn 6 c fe |
| D4-00 | 14 | 573107 | Rondelle m6 n zn 6 c fe |
| D4-00 (bis) | 10 | 573107 | Rondelle m6 n zn 6 c fe |
| E1-00 | 18 | 573107 | Rondelle m6 n zn 6 c fe |
| F1-00 | 5 | 573107 | Rondelle m6 n zn 6 c fe |
| F5-00 | 11 | 573107 | Rondelle m6 n zn 6 c fe |
| K3-00 | 15 | 573107 | Rondelle m6 n zn 6 c fe |
| K5-00 | 15 | 573107 | Rondelle m6 n zn 6 c fe |
| K6-00 | 10 | 573107 | Rondelle m6 n zn 6 c fe |
| G1-00 | 17 | 573108 | Rondelle m8 n |
| G1-01 | 17 | 573108 | Rondelle m8 n |
| G2-01 | 20 | 573108 | Rondelle m8 n |
| G3-01 | 18 | 573108 | Rondelle m8 n |
| A1-00 | 5 | 573109 | Rondelle m10 n zn 6 c fe |
| A1-01 | 5 | 573109 | Rondelle m10 n zn 6 c fe |
| A3-00 | 16 | 573109 | Rondelle m10 n zn 6 c fe |
| B1-00 | 5 | 573109 | Rondelle m10 n zn 6 c fe |
| B4-00 | 11 | 573109 | Rondelle m10 n zn 6 c fe |
| C2-00 | 3 | 573109 | Rondelle m10 n zn 6 c fe |
| D2-00 | 24 | 573109 | Rondelle m10 n zn 6 c fe |
| D2-01 | 25 | 573109 | Rondelle m10 n zn 6 c fe |
| D3-00 | 31 | 573109 | Rondelle m10 n zn 6 c fe |
| D4-00 | 17 | 573109 | Rondelle m10 n zn 6 c fe |
| D4-00 (bis) | 20 | 573109 | Rondelle m10 n zn 6 c fe |
| E1-00 | 8 | 573109 | Rondelle m10 n zn 6 c fe |
| F4-00 | 6 | 573109 | Rondelle m10 n zn 6 c fe |
| G1-01(bis) | 29 | 573109 | Rondelle m10 n zn 6 c fe |
| G2-00 | 12 | 573109 | Rondelle m10 n zn 6 c fe |
| G2-01 | 4 | 573109 | Rondelle m10 n zn 6 c fe |
| G3-01 | 4 | 573109 | Rondelle m10 n zn 6 c fe |
| G4-00 | 34 | 573109 | Rondelle m10 n zn 6 c fe |
| G4-01 | 10 | 573109 | Rondelle m10 n zn 6 c fe |
| G4-01 | 37 | 573109 | Rondelle m10 n zn 6 c fe |
| G5-00 | 3 | 573109 | Rondelle m10 n zn 6 c fe |

| PLANCHE | REP. | CODE | DÉSIGNATION |
|-------------|------|--------|--------------------------|
| G5-00 | 28 | 573109 | Rondelle m10 n zn 6 c fe |
| G5-01 | 3 | 573109 | Rondelle m10 n zn 6 c fe |
| G5-01 | 25 | 573109 | Rondelle m10 n zn 6 c fe |
| H2-00 | 5 | 573109 | Rondelle m10 n zn 6 c fe |
| J1-00 | 12 | 573109 | Rondelle m10 n zn 6 c fe |
| K3-00 | 25 | 573109 | Rondelle m10 n zn 6 c fe |
| K5-00 | 29 | 573109 | Rondelle m10 n zn 6 c fe |
| A3-00 | 43 | 573112 | Rondelle m12 n zn 6 c fe |
| B4-00 | 6 | 573112 | Rondelle m12 n zn 6 c fe |
| F2-00 | 5 | 573112 | Rondelle m12 n zn 6 c fe |
| G1-00 | 13 | 573112 | Rondelle m12 n zn 6 c fe |
| G1-01 | 13 | 573112 | Rondelle m12 n zn 6 c fe |
| G2-00 | 3 | 573112 | Rondelle m12 n zn 6 c fe |
| G5-00 | 40 | 573112 | Rondelle m12 n zn 6 c fe |
| G5-01 | 37 | 573112 | Rondelle m12 n zn 6 c fe |
| H2-00 | 10 | 573112 | Rondelle m12 n zn 6 c fe |
| I1-00 | 4 | 573112 | Rondelle m12 n zn 6 c fe |
| I1-00 (bis) | 49 | 573112 | Rondelle m12 n zn 6 c fe |
| K3-00 | 26 | 573112 | Rondelle m12 n zn 6 c fe |
| K5-00 | 30 | 573112 | Rondelle m12 n zn 6 c fe |
| L5-00 | 9 | 573112 | Rondelle m12 n zn 6 c fe |
| K6-00 | 16 | 573153 | Rondelle m3 n zn bcr |
| A1-00 | 24 | 573158 | Rondelle m8 n zn 6 c fe |
| A1-01 | 24 | 573158 | Rondelle m8 n zn 6 c fe |
| B1-00 | 8 | 573158 | Rondelle m8 n zn 6 c fe |
| B2-00 | 3 | 573158 | Rondelle m8 n zn 6 c fe |
| B3-00 | 3 | 573158 | Rondelle m8 n zn 6 c fe |
| C1-00 (bis) | 3 | 573158 | Rondelle m8 n zn 6 c fe |
| C2-00 | 6 | 573158 | Rondelle m8 n zn 6 c fe |
| D1-00 | 2 | 573158 | Rondelle m8 n zn 6 c fe |
| D3-00 | 42 | 573158 | Rondelle m8 n zn 6 c fe |
| D4-00 (bis) | 3 | 573158 | Rondelle m8 n zn 6 c fe |
| E1-00 | 5 | 573158 | Rondelle m8 n zn 6 c fe |
| F2-00 | 42 | 573158 | Rondelle m8 n zn 6 c fe |
| F5-00 | 5 | 573158 | Rondelle m8 n zn 6 c fe |
| G2-00 | 25 | 573158 | Rondelle m8 n zn 6 c fe |
| G5-00 | 19 | 573158 | Rondelle m8 n zn 6 c fe |
| G5-01 | 16 | 573158 | Rondelle m8 n zn 6 c fe |
| I3-00 | 5 | 573158 | Rondelle m8 n zn 6 c fe |
| J1-00 | 3 | 573158 | Rondelle m8 n zn 6 c fe |
| K3-00 | 23 | 573158 | Rondelle m8 n zn 6 c fe |
| K5-00 | 27 | 573158 | Rondelle m8 n zn 6 c fe |
| K6-00 | 4 | 573158 | Rondelle m8 n zn 6 c fe |

| PLANCHE | REP. | CODE | DÉSIGNATION |
|-------------|------|--------|---------------------------------|
| K7-00 | 4 | 573158 | Rondelle m8 n zn 6 c fe |
| K7-01 | 4 | 573158 | Rondelle m8 n zn 6 c fe |
| A1-00 | 27 | 573164 | Rondelle m14 n zn 6 c fe |
| A1-01 | 27 | 573164 | Rondelle m14 n zn 6 c fe |
| A3-00 | 39 | 573164 | Rondelle m14 n zn 6 c fe |
| A1-01 | 13 | 573166 | Rondelle m16 n zn 6 c fe |
| A3-00 | 4 | 573166 | Rondelle m16 n zn 6 c fe |
| A4-00 | 4 | 573166 | Rondelle m16 n zn 6 c fe |
| A4-00 (bis) | 3 | 573166 | Rondelle m16 n zn 6 c fe |
| G5-00 | 7 | 573166 | Rondelle m16 n zn 6 c fe |
| G5-01 | 7 | 573166 | Rondelle m16 n zn 6 c fe |
| A1-00 | 13 | 573170 | Rondelle m20 n zn 6 c fe |
| A3-00 | 33 | 573170 | Rondelle m20 n zn 6 c fe |
| C2-00 | 38 | 573170 | Rondelle m20 n zn 6 c fe |
| D2-00 | 5 | 573170 | Rondelle m20 n zn 6 c fe |
| D2-01 | 5 | 573170 | Rondelle m20 n zn 6 c fe |
| D3-00 | 10 | 573170 | Rondelle m20 n zn 6 c fe |
| G4-00 | 7 | 573170 | Rondelle m20 n zn 6 c fe |
| G4-01 | 7 | 573170 | Rondelle m20 n zn 6 c fe |
| L5-00 | 16 | 573170 | Rondelle m20 n zn 6 c fe |
| H1-00 | 11 | 573172 | Rondelle m22 n zn 6 c fe ep3 |
| C2-00 | 45 | 573206 | Rondelle l6 n zn 6 c fe |
| G4-00 | 21 | 573206 | Rondelle l6 n zn 6 c fe |
| G4-01 | 22 | 573206 | Rondelle l6 n zn 6 c fe |
| K3-00 | 17 | 573206 | Rondelle l6 n zn 6 c fe |
| K5-00 | 21 | 573206 | Rondelle l6 n zn 6 c fe |
| K7-00 | 9 | 573206 | Rondelle l6 n zn 6 c fe |
| K7-01 | 10 | 573206 | Rondelle l6 n zn 6 c fe |
| C1-00 (bis) | 18 | 573258 | Rondelle l8 n zn 6 c fe |
| C2-00 | 11 | 573258 | Rondelle l8 n zn 6 c fe |
| F5-00 | 3 | 573258 | Rondelle l8 n zn 6 c fe |
| H2-00 | 7 | 573258 | Rondelle l8 n zn 6 c fe |
| D1-00 | 14 | 573260 | Rondelle polyamide 8x20x2 |
| C2-00 | 22 | 573356 | Rond even dec az m6 zn 6cfe |
| B2-00 | 18 | 573358 | Rondelle l8 n inox a2 70 |
| I1-00 | 30 | 573406 | Rond belleville d16-3x31-5x1-75 |
| G5-00 | 4 | 573510 | Rondelle conique strie z m10 zn |
| G5-01 | 4 | 573510 | Rondelle conique strie z m10 zn |
| G3-00 | 14 | 573516 | Rondelle secu rip lock m16 zn |
| G3-01 | 33 | 573516 | Rondelle secu rip lock m16 zn |
| C2-00 | 42 | 573612 | Rond griffes d12 z5p |
| E1-00 | 12 | 573760 | Rondelle w d10 zn 6 c fe |
| F2-00 | 9 | 573760 | Rondelle w d10 zn 6 c fe |

LISTING CODE CATALOGUE PIÈCES REGULINE SPI - 00

| PLANCHE | REP. | CODE | DÉSIGNATION |
|-------------|------|--------|------------------------------|
| I1-00 (bis) | 44 | 573760 | Rondelle w d10 zn 6 c fe |
| A3-00 | 20 | 573762 | Rondelle w d12 zn 6 c fe |
| I1-00 | 5 | 573762 | Rondelle w d12 zn 6 c fe |
| E1-00 | 25 | 573804 | Rondelle l4 n inox a2 70 |
| K3-00 | 30 | 573804 | Rondelle l4 n inox a2 70 |
| K5-00 | 34 | 573804 | Rondelle l4 n inox a2 70 |
| B2-00 | 8 | 573808 | Rondelle m8 n inox a2 70 |
| D2-00 | 10 | 574220 | Circlips ext d20 |
| D2-01 | 10 | 574220 | Circlips ext d20 |
| D3-00 | 16 | 574220 | Circlips ext d20 |
| D4-00 | 7 | 574220 | Circlips ext d20 |
| D4-00 (bis) | 14 | 574220 | Circlips ext d20 |
| G3-00 | 8 | 574220 | Circlips ext d20 |
| G3-01 | 27 | 574220 | Circlips ext d20 |
| D4-00 (bis) | 29 | 574225 | Circlips ext d25 |
| A4-00 | 11 | 574230 | Circlips ext d30 |
| A4-00 (bis) | 6 | 574230 | Circlips ext d30 |
| C1-00 (bis) | 11 | 574230 | Circlips ext d30 |
| D2-00 | 16 | 574235 | Circlips ext d35 |
| D2-01 | 17 | 574235 | Circlips ext d35 |
| D3-00 | 23 | 574235 | Circlips ext d35 |
| D2-00 | 3 | 574248 | Circlips ext d50 |
| D2-01 | 3 | 574248 | Circlips ext d50 |
| D3-00 | 8 | 574248 | Circlips ext d50 |
| C2-00 (bis) | 60 | 574251 | Circlips int d47 |
| G4-00 | 27 | 574320 | Anneau inverse ext d20 |
| G4-01 | 30 | 574320 | Anneau inverse ext d20 |
| A3-00 | 13 | 574492 | Goup clips d10 zn 6 c fe s32 |
| E1-00 | 27 | 589202 | Goup elastic 5x10 inox |
| H1-00 | 8 | 589207 | Goup elastic 5x35 inox |
| I1-00 | 12 | 589207 | Goup elastic 5x35 inox |
| L5-00 | 17 | 589207 | Goup elastic 5x35 inox |
| C2-00 | 28 | 589307 | Goup elastic 6x35 inox |
| F2-00 | 37 | 589307 | Goup elastic 6x35 inox |
| G2-00 | 34 | 589407 | Goup elastic 8x35 inox |
| G2-01 | 29 | 589407 | Goup elastic 8x35 inox |
| G3-00 | 3 | 589407 | Goup elastic 8x35 inox |
| G3-01 | 22 | 589407 | Goup elastic 8x35 inox |
| G5-00 | 33 | 589407 | Goup elastic 8x35 inox |
| G5-01 | 30 | 589407 | Goup elastic 8x35 inox |
| H1-00 | 7 | 589407 | Goup elastic 8x35 inox |
| L5-00 | 3 | 589407 | Goup elastic 8x35 inox |
| A1-00 | 20 | 589410 | Goup elastic 8x50 inox |

| PLANCHE | REP. | CODE | DÉSIGNATION |
|-------------|------|--------|------------------------------|
| A1-01 | 20 | 589410 | Goup elastic 8x50 inox |
| D3-00 | 3 | 589410 | Goup elastic 8x50 inox |
| C1-00 (bis) | 10 | 590106 | Goup elastic 3 5x28 serie ep |
| C2-00 | 52 | 590106 | Goup elastic 3 5x28 serie ep |
| D1-00 | 12 | 590106 | Goup elastic 3 5x28 serie ep |
| D2-00 | 8 | 590106 | Goup elastic 3 5x28 serie ep |
| D2-01 | 8 | 590106 | Goup elastic 3 5x28 serie ep |
| D3-00 | 13 | 590106 | Goup elastic 3 5x28 serie ep |
| D4-00 (bis) | 35 | 590106 | Goup elastic 3 5x28 serie ep |
| G4-00 | 9 | 590106 | Goup elastic 3 5x28 serie ep |
| G4-01 | 9 | 590106 | Goup elastic 3 5x28 serie ep |
| C2-00 | 34 | 590108 | Goup elastic 3 5x36 serie ep |
| D4-00 | 10 | 590108 | Goup elastic 3 5x36 serie ep |
| D4-00 (bis) | 17 | 590108 | Goup elastic 3 5x36 serie ep |
| D1-00 | 21 | 590207 | Goup elastic 5x35 serie ep |
| I4-00 | 6 | 590207 | Goup elastic 5x35 serie ep |
| A1-00 | 21 | 590210 | Goup elastic 5x50 serie ep |
| A1-01 | 21 | 590210 | Goup elastic 5x50 serie ep |
| D2-00 | 32 | 590210 | Goup elastic 5x50 serie ep |
| D2-01 | 32 | 590210 | Goup elastic 5x50 serie ep |
| D3-00 | 4 | 590210 | Goup elastic 5x50 serie ep |
| G2-00 | 21 | 590210 | Goup elastic 5x50 serie ep |
| C1-00 (bis) | 9 | 590306 | Goup elastic 6x28 serie ep |
| D1-00 | 17 | 590306 | Goup elastic 6x28 serie ep |
| D2-00 | 7 | 590306 | Goup elastic 6x28 serie ep |
| D2-01 | 7 | 590306 | Goup elastic 6x28 serie ep |
| D3-00 | 12 | 590306 | Goup elastic 6x28 serie ep |
| D4-00 (bis) | 34 | 590306 | Goup elastic 6x28 serie ep |
| G1-00 (bis) | 29 | 590306 | Goup elastic 6x28 serie ep |
| G1-01(bis) | 31 | 590306 | Goup elastic 6x28 serie ep |
| G4-00 | 8 | 590306 | Goup elastic 6x28 serie ep |
| G4-01 | 8 | 590306 | Goup elastic 6x28 serie ep |
| I1-00 (bis) | 53 | 590306 | Goup elastic 6x28 serie ep |
| I4-00 | 18 | 590306 | Goup elastic 6x28 serie ep |
| C2-00 | 33 | 590307 | Goup elastic 6x35 serie ep |
| D1-00 | 11 | 590307 | Goup elastic 6x35 serie ep |
| D3-00 | 14 | 590307 | Goup elastic 6x35 serie ep |
| D4-00 | 9 | 590307 | Goup elastic 6x35 serie ep |
| D4-00 (bis) | 16 | 590307 | Goup elastic 6x35 serie ep |
| G1-00 (bis) | 30 | 590307 | Goup elastic 6x35 serie ep |
| G1-01(bis) | 37 | 590307 | Goup elastic 6x35 serie ep |
| I1-00 (bis) | 52 | 590307 | Goup elastic 6x35 serie ep |
| G2-00 | 19 | 590308 | Goup elastic 6x40 serie ep |

| PLANCHE | REP. | CODE | DÉSIGNATION |
|-------------|------|--------|---------------------------------|
| G2-01 | 13 | 590308 | Goup elastic 6x40 serie ep |
| G3-01 | 12 | 590308 | Goup elastic 6x40 serie ep |
| D1-00 | 20 | 590407 | Goup elastic 8x35 serie ep |
| D2-00 | 31 | 590410 | Goup elastic 8x50 serie ep |
| D2-01 | 31 | 590410 | Goup elastic 8x50 serie ep |
| D3-00 | 37 | 590410 | Goup elastic 8x50 serie ep |
| I1-00 | 17 | 590908 | Goup elastique 20x14 |
| A3-00 | 11 | 592201 | Goupille beta d3 zn 6 c fe |
| I1-00 | 13 | 592203 | Goupille beta d4 doub enr |
| A3-00 | 5 | 593156 | Goupille v 3 2x30 zn 6 c fe |
| G4-00 | 24 | 593270 | Goupille v 5x100 zn 6 c fe |
| G4-01 | 27 | 593270 | Goupille v 5x100 zn 6 c fe |
| L4-00 | 2 | 594304 | Goup clips d4 5 zn 6 c fe s32 |
| G5-00 | 23 | 594305 | Goupille de securite rubig d4-7 |
| G5-01 | 20 | 594305 | Goupille de securite rubig d4-7 |
| A4-00 (bis) | 8 | 594306 | Goup d6 clips zn 6 c fe s37 |
| D4-00 (bis) | 32 | 594306 | Goup d6 clips zn 6 c fe s37 |
| G1-00 (bis) | 31 | 594306 | Goup d6 clips zn 6 c fe s37 |
| G1-01(bis) | 38 | 594306 | Goup d6 clips zn 6 c fe s37 |
| H1-00 | 18 | 594306 | Goup d6 clips zn 6 c fe s37 |
| I1-00 | 40 | 594306 | Goup d6 clips zn 6 c fe s37 |
| L5-00 | 12 | 594306 | Goup d6 clips zn 6 c fe s37 |
| A4-00 | 13 | 594308 | Clips desol d8 5 zn 6 c fe |
| A4-00 (bis) | 14 | 594308 | Clips desol d8 5 zn 6 c fe |
| D2-00 | 29 | 594308 | Clips desol d8 5 zn 6 c fe |
| D2-01 | 29 | 594308 | Clips desol d8 5 zn 6 c fe |
| D3-00 | 35 | 594308 | Clips desol d8 5 zn 6 c fe |
| D3-00 | 5 | 594610 | Goup secu d8 s288 zn 6 c fe |
| G2-00 | 30 | 597564 | Rivet tf 120 6x20 |
| G2-01 | 25 | 597564 | Rivet tf 120 6x20 |
| G2-00 | 31 | 597565 | Rivet tf 120 6x25 |
| G2-01 | 26 | 597565 | Rivet tf 120 6x25 |
| A1-00 | 19 | 598041 | Rivet aveugle 4x10 alu |
| A1-01 | 19 | 598041 | Rivet aveugle 4x10 alu |
| C1-00 | 2 | 598041 | Rivet aveugle 4x10 alu |
| C2-00 | 9 | 598041 | Rivet aveugle 4x10 alu |
| D1-00 | 5 | 598041 | Rivet aveugle 4x10 alu |
| E1-00 | 26 | 598041 | Rivet aveugle 4x10 alu |
| F5-00 | 7 | 598041 | Rivet aveugle 4x10 alu |
| K3-00 | 31 | 598041 | Rivet aveugle 4x10 alu |
| K5-00 | 35 | 598041 | Rivet aveugle 4x10 alu |
| K6-00 | 13 | 598041 | Rivet aveugle 4x10 alu |
| K3-00 | 36 | 599056 | Vis a oeillet m 6 x 40 |

LISTING CODE CATALOGUE PIÈCES REGULINE SPI - 00

| PLANCHE | REP. | CODE | DÉSIGNATION |
|-------------|------|--------|--------------------------------|
| K5-00 | 40 | 599056 | Vis a oeillet m 6 x 40 |
| D4-00 (bis) | 12 | 711000 | Roulement 6204 2rs 20x47x14 |
| G4-00 | 26 | 711000 | Roulement 6204 2rs 20x47x14 |
| G4-01 | 29 | 711000 | Roulement 6204 2rs 20x47x14 |
| I1-00 (bis) | 54 | 711000 | Roulement 6204 2rs 20x47x14 |
| I4-00 | 20 | 711000 | Roulement 6204 2rs 20x47x14 |
| D2-00 | 14 | 711006 | Roulement 6007 rs1 35x62x14 |
| D2-01 | 15 | 711006 | Roulement 6007 rs1 35x62x14 |
| D3-00 | 21 | 711006 | Roulement 6007 rs1 35x62x14 |
| D2-00 | 1 | 711007 | Roulement 6010 1rs1 50x80x16 |
| D2-01 | 1 | 711007 | Roulement 6010 1rs1 50x80x16 |
| D3-00 | 6 | 711007 | Roulement 6010 1rs1 50x80x16 |
| C2-00 | 24 | 711008 | Roulement 6005 2rs1 25x47x12 |
| D4-00 (bis) | 23 | 711012 | Roulement 6204 rs1 20x47x14 |
| C1-00 (bis) | 5 | 711015 | Roulement 61906 2rs1 30x47x9 |
| D4-00 | 5 | 711016 | Roulement 3204 2rs1 20x47x20 6 |
| D4-00 (bis) | 39 | 711016 | Roulement 3204 2rs1 20x47x20 6 |
| G3-00 | 7 | 711016 | Roulement 3204 2rs1 20x47x20 6 |
| G3-01 | 26 | 711016 | Roulement 3204 2rs1 20x47x20 6 |
| C2-00 (bis) | 59 | 711017 | Roulement 16005 2rs1 25x47x8 |
| A3-00 | 14 | 715010 | Lien noir s29150 ref 715010 |
| A4-00 (bis) | 9 | 715010 | Lien noir s29150 ref 715010 |
| D4-00 (bis) | 7 | 715010 | Lien noir s29150 ref 715010 |
| H1-00 | 19 | 715010 | Lien noir s29150 ref 715010 |
| I1-00 | 14 | 715010 | Lien noir s29150 ref 715010 |
| L4-00 | 13 | 715010 | Lien noir s29150 ref 715010 |
| L5-00 | 13 | 715010 | Lien noir s29150 ref 715010 |
| F2-00 | 24 | 716005 | Courroie spz 1437 |
| F2-00 | 27 | 716006 | Courroie spz 1700 |
| F2-00 | 28 | 716007 | Courroie spz 1800 |
| F2-00 | 29 | 716008 | Courroie spz 1900 |
| F2-00 | 30 | 716009 | Courroie spz 2000 |
| F2-00 | 25 | 716010 | Courroie spz 1500 |
| F2-00 | 26 | 716011 | Courroie spz 1630 |
| D2-00 | 18 | 719001 | Graisser m6x100 droit |
| D2-01 | 19 | 719001 | Graisser m6x100 droit |
| D3-00 | 25 | 719001 | Graisser m6x100 droit |
| F2-00 | 32 | 719001 | Graisser m6x100 droit |
| G1-00 (bis) | 27 | 719001 | Graisser m6x100 droit |
| G1-01(bis) | 27 | 719001 | Graisser m6x100 droit |
| H1-00 | 4 | 719001 | Graisser m6x100 droit |
| I1-00 | 9 | 719001 | Graisser m6x100 droit |
| L4-00 | 1 | 719001 | Graisser m6x100 droit |

| PLANCHE | REP. | CODE | DÉSIGNATION |
|-------------|------|--------|---------------------------------|
| D4-00 (bis) | 22 | 719002 | Graisser m6x100 90 |
| F4-00 | 17 | 720137 | Pochette joints moteur 720139 |
| F4-00 | 10 | 720139 | Moteur hydraulique bi-di |
| F4-00 | 11 | 720141 | Clavette 1-8 pouce x 1 pouce |
| F4-00 | 16 | 720145 | Flexible 3m05 hors tout |
| F2-00 (bis) | 6 | 720222 | Bague d etancheite 35x52x7 |
| F2-00 (bis) | 13 | 720228 | Reniflard 3 8 gaz |
| K7-00 | 7 | 720265 | Feu g avec ampoule et eclaireur |
| K7-00 | 8 | 720266 | Feu d avec ampoule |
| K3-00 | 41 | 720269 | Aimant de turbine |
| K5-00 | 45 | 720269 | Aimant de turbine |
| F4-00 | 12 | 720291 | Support de manometre |
| F4-00 | 15 | 720292 | Roue libre clapet anti-retour |
| F4-00 | 13 | 720293 | Manometre 0-40 bars |
| F4-00 | 14 | 720294 | Flexible 0m35 hors tout |
| K5-00 | 4 | 720309 | Kit support console vision |
| J1-00 | 8 | 720516 | Pochette joints verin 908442 |
| G5-00 | 12 | 720780 | Bandage 250x25l |
| G5-00 | 14 | 720781 | Bandage 250x42l |
| G5-01 | 11 | 720781 | Bandage 250x42l |
| F1-00 | 2 | 720790 | Coquille ar de turbine |
| F1-00 | 3 | 720791 | Coquille av de turbine |
| F1-00 | 7 | 720792 | Roue de turbine3 |
| F1-00 | 8 | 720793 | Grille de turbine 3 |
| F1-00 | 11 | 720794 | Volet de turbine 3 |
| F1-00 | 12 | 720795 | Agrafe de volet |
| F1-00 | 9 | 720796 | Vis cbl z st3 9x22 zn 6 c fe |
| F1-00 | 10 | 720797 | Rondelle m4 n zn 6 c fe |
| F2-00 | 23 | 720798 | Vis sthc 7-16p x 7-8p bout bomb |
| F2-00 (bis) | 1 | 720799 | Coquille av boitier mp10 |
| F2-00 (bis) | 2 | 720800 | Coquille ar boitier mp10 |
| F2-00 (bis) | 3 | 720801 | Arbre d entree boitier mp10 |
| F2-00 (bis) | 4 | 720802 | Engrenage menant boitier mp10 |
| F2-00 (bis) | 5 | 720803 | Arbre de sortie boitier mp10 |
| F2-00 (bis) | 7 | 720804 | Bague d etancheite 50x62x7 |
| F2-00 (bis) | 8 | 720805 | Clavette 14x9x25 |
| F2-00 (bis) | 9 | 720806 | Roulement 6007 |
| F2-00 (bis) | 10 | 720807 | Roulement 6010 |
| F2-00 (bis) | 12 | 720808 | Goupille cylindrique 6x10 |
| F2-00 (bis) | 14 | 720809 | Temoin d huile 3 8 gaz |
| F2-00 (bis) | 15 | 720810 | Bouchon 3 8 gaz |
| F2-00 (bis) | 16 | 720811 | Joint thorique 19x13x3 |
| F2-00 (bis) | 17 | 720812 | Vis chc 6x65 zn 6 c fe fp |

| PLANCHE | REP. | CODE | DÉSIGNATION |
|-------------|------|--------|---------------------------------|
| F2-00 (bis) | 18 | 720813 | Couvercle rca 62 |
| F2-00 (bis) | 19 | 720814 | Vis chc 6x25 zn 6 c fe fst |
| F2-00 (bis) | 20 | 720815 | Clavette 6x6x30 |
| F2-00 (bis) | 21 | 720816 | Clavette 10x8x30 |
| F2-00 (bis) | 22 | 720817 | Engrenage mene boitier mp10 |
| K3-00 | 50 | 720821 | Kit support console ultron-ms |
| K3-00 | 45 | 720822 | Cable info console ultron-ms |
| K5-00 | 49 | 720822 | Cable info console ultron-ms |
| K3-00 | 46 | 720823 | Cable info ultron boite con nue |
| K5-00 | 50 | 720823 | Cable info ultron boite con nue |
| K3-00 | 49 | 720824 | Circuit imprime ultron |
| K5-00 | 53 | 720824 | Circuit imprime ultron |
| K3-00 | 48 | 720825 | Passe fil large ultron-ms |
| K5-00 | 52 | 720825 | Passe fil large ultron-ms |
| K3-00 | 47 | 720826 | Passe fil etroit ultron-ms |
| K5-00 | 51 | 720826 | Passe fil etroit ultron-ms |
| J1-00 | 14 | 720847 | Reniflard 1-4 gaz |
| K3-00 | 53 | 720854 | Prise femelle 12v cobo |
| K5-00 | 55 | 720854 | Prise femelle 12v cobo |
| K3-00 | 52 | 720855 | Prise male 12v cobo |
| K5-00 | 54 | 720855 | Prise male 12v cobo |
| K3-00 | 51 | 720873 | Socle support console ultron-ms |
| K5-00 | 3 | 720881 | Console vision spb |
| J1-00 | 6 | 720897 | Pochette joints verin s 982307 |
| K7-01 | 7 | 721014 | Feu g 2005 |
| K7-01 | 8 | 721015 | Feu d 2005 |
| K7-01 | 9 | 721017 | Cable liaison semoir nm |
| L5-00 | 25 | 721046 | Limiteur bi regl fg3 8 fg3 8 |
| D2-00 | 11 | 734001 | Joint v ring d20 |
| D2-00 | 19 | 734015 | Joint v ring d35 |
| D2-01 | 20 | 734015 | Joint v ring d35 |
| D3-00 | 26 | 734015 | Joint v ring d35 |
| D1-00 | 6 | 737003 | Joint cuivre ferme 17x23x2 |
| D2-00 | 17 | 750002 | Rond etancheite z007 |
| D2-01 | 18 | 750002 | Rond etancheite z007 |
| D3-00 | 24 | 750002 | Rond etancheite z007 |
| D2-00 | 4 | 752202 | Bague calcar bp 25c 20x24x20 |
| D2-01 | 4 | 752202 | Bague calcar bp 25c 20x24x20 |
| D3-00 | 9 | 752202 | Bague calcar bp 25c 20x24x20 |
| G2-00 | 39 | 793008 | Tuyau d 30 au m |
| G2-01 | 34 | 793008 | Tuyau d 30 au m |
| I1-00 | 24 | 793702 | Articulation elastique 12 25 54 |
| B1-00 | 25 | 794006 | Collier cobra diam 25 |

LISTING CODE CATALOGUE PIÈCES REGULINE SPI - 00

| PLANCHE | REP. | CODE | DÉSIGNATION |
|-------------|------|--------|--------------------------------|
| B3-00 | 9 | 794021 | Bande adhesive 1 face au m |
| E1-00 | 15 | 794021 | Bande adhesive 1 face au m |
| F1-00 | 15 | 794540 | Collier double fils diam 150 |
| F5-00 | 9 | 794543 | Collier double fils diam 200 |
| K6-00 | 20 | 794640 | Lien de serrage nylon noir |
| G2-00 | 40 | 794770 | Collier herbie clip d5 |
| G2-01 | 35 | 794770 | Collier herbie clip d5 |
| D1-00 | 9 | 795060 | Reniffard 3 8 gaz variateur |
| D1-00 | 8 | 795070 | Temoin d huile 3 8 gaz |
| K6-00 | 19 | 795140 | Passe cloison pneuma coude d8 |
| L4-00 | 15 | 795510 | Limiteur uni regl fg1 4 fg1 4 |
| L5-00 | 24 | 795510 | Limiteur uni regl fg1 4 fg1 4 |
| J1-00 | 9 | 795522 | Electrovanne |
| K3-00 | 10 | 799006 | Collier serflex 24x35 minus |
| K5-00 | 13 | 799006 | Collier serflex 24x35 minus |
| B1-00 | 19 | 799050 | Boule niveau |
| L1-00 | 9 | 836001 | Catadioptr blanc 94x44 |
| L1-00 | 27 | 836003 | Catadioptr rouge diam 60 |
| L1-00 | 8 | 836008 | Catadioptr orange diam 80 |
| G2-00 | 5 | 850000 | Coussinet gfm1618 17 spe |
| J1-00 | 15 | 879200 | Gaine spiralee sgx-32 au m |
| G4-00 | 32 | 901080 | Joint de disque |
| G4-01 | 35 | 901080 | Joint de disque |
| D3-00 | 2 | 901271 | Bague de moyeu ma |
| I3-00 | 3 | 901473 | Palier d arbre d ergot |
| C1-00 | 8 | 901537 | Roue fine |
| H1-00 | 12 | 901549 | Rondelle de variateur |
| F2-00 | 3 | 901553 | Galet de variateur |
| H1-00 | 5 | 901553 | Galet de variateur |
| I3-00 | 8 | 901571 | Butee de reglage tramlines |
| I3-00 | 14 | 901578 | Bride d etrier |
| G1-00 (bis) | 25 | 901620 | Ecrou orientable |
| G1-01(bis) | 26 | 901620 | Ecrou orientable |
| G1-00 (bis) | 35 | 901949 | Rondelle d arbre intermediaire |
| G1-01(bis) | 32 | 901949 | Rondelle d arbre intermediaire |
| G4-00 | 31 | 902000 | Disque d350x2 |
| G4-01 | 34 | 902000 | Disque d350x2 |
| F2-00 | 15 | 902009 | Rondelle epaisse 12x36 |
| I3-00 | 25 | 902296 | Indicateur de reperage |
| E1-00 | 36 | 903401 | Entretoise de patte |
| G4-00 | 33 | 905002 | Decrotoir interieur |
| G4-01 | 36 | 905002 | Decrotoir interieur |
| G1-00 | 15 | 906005 | Bride de dent souple |

| PLANCHE | REP. | CODE | DÉSIGNATION |
|-------------|------|--------|--------------------------------|
| G1-01 | 15 | 906005 | Bride de dent souple |
| H1-00 | 29 | 906005 | Bride de dent souple |
| C2-00 (bis) | 65 | 906017 | Pince cylindrique |
| G1-00 | 16 | 906143 | Bride de biellette |
| G1-01 | 16 | 906143 | Bride de biellette |
| I3-00 | 13 | 906168 | Etrier de reperage |
| G2-00 | 33 | 907019 | Support de demarrage |
| G2-01 | 28 | 907019 | Support de demarrage |
| G3-00 | 2 | 907019 | Support de demarrage |
| G3-01 | 21 | 907019 | Support de demarrage |
| G5-00 | 32 | 907019 | Support de demarrage |
| G5-01 | 29 | 907019 | Support de demarrage |
| C1-00 | 5 | 907381 | Trappe de distribution |
| G4-00 | 23 | 907417 | Cache disque |
| G4-01 | 26 | 907417 | Cache disque |
| G2-00 | 38 | 907711 | Soufflet elem semeur |
| G2-01 | 33 | 907711 | Soufflet elem semeur |
| I4-00 | 11 | 908010 | Ressort d ouverture |
| L1-00 | 11 | 908331 | Indicateur de niveau |
| L1-00 | 24 | 908338 | Autocollant sulky grand modele |
| G4-00 | 28 | 908360 | Chapeau de disque |
| G4-01 | 31 | 908360 | Chapeau de disque |
| B1-00 | 3 | 908381 | Hublot avec joint |
| G2-00 | 28 | 908430 | Botte tole |
| G2-01 | 23 | 908430 | Botte tole |
| G2-00 | 35 | 908434 | Guide graine |
| G2-01 | 30 | 908434 | Guide graine |
| G2-00 | 29 | 908435 | Soc trainant ft bl |
| G2-01 | 24 | 908435 | Soc trainant ft bl |
| J1-00 | 7 | 908442 | Verin de debrayage jar |
| L1-00 | 6 | 908472 | Etiquette 62x14 de graissage |
| L1-00 | 2 | 908473 | Etiquette lubrifiant variateur |
| L1-00 | 13 | 908992 | Plaque constructeur |
| A3-00 | 3 | 909025 | Ressort embrayage |
| I4-00 | 13 | 909025 | Ressort embrayage |
| H1-00 | 13 | 909065 | Ressort de terrage |
| C1-00 (bis) | 19 | 909085 | Ressort de traceur d12 |
| D2-00 | 36 | 909085 | Ressort de traceur d12 |
| D2-01 | 36 | 909085 | Ressort de traceur d12 |
| D3-00 | 39 | 909085 | Ressort de traceur d12 |
| H2-00 | 13 | 909095 | Ressort de traceur |
| A1-00 | 29 | 909111 | Indicateur de position |
| A1-01 | 29 | 909111 | Indicateur de position |

| PLANCHE | REP. | CODE | DÉSIGNATION |
|-------------|------|--------|---------------------------------|
| B1-00 | 20 | 909111 | Indicateur de position |
| L1-00 | 10 | 909126 | Autocollant sulky petit modele |
| G4-00 | 25 | 909579 | Porte disque complet soude |
| G4-01 | 28 | 909579 | Porte disque complet soude |
| G2-00 | 27 | 909780 | Botte tole so |
| G2-01 | 22 | 909780 | Botte tole so |
| J1-00 | 20 | 909886 | Rallonge hydraulique 2m |
| L1-00 | 35 | 910088 | Pot de peinture rouge 500gr |
| L1-00 | 34 | 910089 | Pot de peinture bleu 500gr |
| C2-00 | 12 | 911001 | Poignee de cmde h6 inox as |
| B3-00 | 11 | 911003 | Poignee de cmde hm8 inox as |
| D1-00 | 16 | 911006 | Poignee de cmde h8x45 inox as |
| C1-00 | 9 | 911019 | Roue a ergots as |
| I3-00 | 22 | 911020 | Roue a ergots tramline as |
| C1-00 | 12 | 911021 | Clapet de fond as |
| D2-00 | 44 | 911023 | Roue libre bague court cloch as |
| D2-01 | 42 | 911023 | Roue libre bague court cloch as |
| D3-00 | 50 | 911023 | Roue libre bague court cloch as |
| I1-00 (bis) | 46 | 914011 | Chape orientation ct so |
| G2-00 | 36 | 914035 | Adaptation botte tole so |
| G2-01 | 31 | 914035 | Adaptation botte tole so |
| D2-00 | 13 | 914059 | Platine ar so |
| D2-01 | 14 | 914059 | Platine ar so |
| D3-00 | 20 | 914059 | Platine ar so |
| D4-00 (bis) | 18 | 914068 | Platine sup bras roue g so |
| I3-00 | 20 | 914101 | Plateau sp so |
| G2-00 | 37 | 914107 | Adaptation botte tole ext so |
| G2-01 | 32 | 914107 | Adaptation botte tole ext so |
| I3-00 | 21 | 914115 | Plateau 3rgs so |
| I1-00 | 10 | 914119 | Axe traceur hydro so |
| C2-00 | 37 | 914123 | Agitateur mp so |
| D2-00 | 15 | 914131 | Pignon menant mp so |
| D2-01 | 16 | 914131 | Pignon menant mp so |
| D3-00 | 22 | 914131 | Pignon menant mp so |
| C2-00 (bis) | 67 | 914132 | Agitateur mp4 so |
| G4-00 | 6 | 914145 | Adaptation tuyau dd |
| G4-01 | 6 | 914145 | Adaptation tuyau dd |
| C1-00 (bis) | 1 | 914146 | Support palier so spi2 |
| C2-00 (bis) | 55 | 914147 | Boitier ext spi2 g so |
| C2-00 (bis) | 56 | 914148 | Boitier ext spi2 d so |
| C2-00 (bis) | 58 | 914149 | Boitier spi2 g so |
| C2-00 (bis) | 57 | 914150 | Boitier spi2 d so |
| A4-00 | 10 | 914151 | Galet d appui mo |

LISTING CODE CATALOGUE PIÈCES REGULINE SPI - 00

| PLANCHE | REP. | CODE | DÉSIGNATION |
|-------------|------|--------|-------------------------------|
| A4-00 (bis) | 5 | 914151 | Galet d appui mo |
| A4-00 (bis) | 1 | 914179 | Sup galet rayonneur so |
| D1-00 | 10 | 915012 | Lievrier de variateur d so |
| D1-00 | 22 | 915139 | Noix de distribution mp so |
| D2-00 | 2 | 915141 | Bras de roue d mp so |
| F2-00 | 1 | 915142 | Support turbine3 so |
| F4-00 | 1 | 915143 | Support turbine3 hydr so |
| D3-00 | 1 | 915144 | Bras de roue rs g so |
| D3-00 | 7 | 915149 | Bras de roue g tc so |
| D2-01 | 2 | 915150 | Bras de roue d tc so |
| I4-00 | 15 | 916043 | Bras de jalonneur so |
| I4-00 | 2 | 916044 | Jalonneur so |
| I1-00 (bis) | 41 | 916049 | Semelle de lame sp so |
| H1-00 | 1 | 916092 | Bras de herse so |
| H1-00 | 6 | 916093 | Tirant superieur de herse so |
| G3-00 | 1 | 916127 | Platine unidisc nm g so |
| G3-01 | 39 | 916127 | Platine unidisc nm g so |
| G3-00 | 16 | 916128 | Platine unidisc nm d so |
| G3-01 | 40 | 916128 | Platine unidisc nm d so |
| I1-00 | 7 | 916138 | Embase traceur hydro so |
| G2-00 | 8 | 916145 | Bras de semeur r1 so spe |
| G2-00 | 9 | 916146 | Bras de semeur r2 so spe |
| G2-00 | 10 | 916147 | Bras de semeur r3 so spe |
| D1-00 | 24 | 916148 | Manivelle 2 |
| I1-00 | 8 | 916152 | Embase traceur d hydro so |
| A1-00 | 11 | 916153 | Bielle ext de parallelo so |
| A1-00 | 7 | 916154 | Bielle int de parallelo so |
| B1-00 | 18 | 916155 | Indicateur de niveau mp so |
| D2-00 | 30 | 916164 | Roue d entrainement 2 |
| D2-01 | 30 | 916164 | Roue d entrainement 2 |
| D3-00 | 36 | 916164 | Roue d entrainement 2 |
| G2-01 | 8 | 916165 | Tube de semeur r1 spe so |
| G2-01 | 9 | 916166 | Tube de semeur r2 spe so |
| G2-01 | 10 | 916167 | Tube de semeur r3 spe so |
| G3-01 | 8 | 916191 | Tube de semeur uc r1 spe so |
| G3-01 | 9 | 916192 | Tube de semeur uc r2 spe so |
| C1-00 (bis) | 6 | 916193 | Plat entrainement so |
| A4-00 | 8 | 916194 | Bras d appui g so |
| A4-00 | 9 | 916195 | Bras d appui d so |
| L4-00 | 6 | 916204 | Bras modulation terrage rs so |
| A1-01 | 7 | 916210 | Barre droite parallelo nm so |
| G3-01 | 20 | 916213 | Platine unidisc 2004 g so |
| G3-01 | 35 | 916214 | Platine unidisc 2004 d so |

| PLANCHE | REP. | CODE | DÉSIGNATION |
|-------------|------|--------|---------------------------------|
| A1-01 | 15 | 916217 | Barre droite inf paralle nm so |
| L5-00 | 1 | 916220 | Coulisse superieur so |
| L5-00 | 2 | 916221 | Coulisse superieur sym so |
| L5-00 | 4 | 916222 | Coulisse inferieur so |
| I1-00 | 28 | 917169 | Tube traceur hydr so |
| G1-00 (bis) | 32 | 917219 | Bras de manivelle spe so |
| G1-01(bis) | 33 | 917219 | Bras de manivelle spe so |
| G1-00 | 4 | 917222 | Demi chassis ent mp45d so |
| G1-00 | 11 | 917232 | Demi chassis 3rgs 45d so |
| G1-00 | 2 | 917236 | Chassis enter 4m spi2 |
| G1-00 | 7 | 917237 | Chassis enter 4m 3rg rs so |
| G1-00 | 1 | 917238 | Chassis enter 3m spi2 so |
| G1-00 | 5 | 917239 | Chassis enter 3m spi2 3rg so |
| A1-00 | 2 | 917240 | Bati spi2 so |
| A1-01 | 2 | 917240 | Bati spi2 so |
| A1-00 | 1 | 917248 | Bati rs3m so |
| A1-01 | 1 | 917248 | Bati rs3m so |
| G1-00 | 3 | 917249 | Demi chassis ent rs4m50 g so |
| G1-00 | 9 | 917250 | Demi chassis 3rgs rs4m50 g so |
| G1-01 | 1 | 917255 | Chassis enterrage 3m 220 rs so |
| G1-01 | 5 | 917256 | Chassis enterrage 3m 320 rs so |
| G1-01(bis) | 21 | 917257 | Chassis enterrage 3m 230 rs so |
| G1-01 | 2 | 917261 | Chassis enterrage 4m 220 rs so |
| G1-01 | 7 | 917262 | Chassis enterrage 4m 320 rs so |
| G1-01(bis) | 22 | 917263 | Chassis enterrage 4m 230 rs so |
| G1-01 | 3 | 917267 | Demi chassis ent g 4m5 220rs so |
| G1-01 | 9 | 917268 | Demi chassis ent g 4m5 320rs so |
| G1-01(bis) | 23 | 917269 | Demi chassis ent g 4m5 230rs so |
| G1-01 | 4 | 917270 | Demi chassis ent d 4m5 220mp so |
| G1-01 | 11 | 917271 | Demi chassis ent d 4m5 320mp so |
| G1-01(bis) | 24 | 917272 | Demi chassis ent d 4m5 230mp so |
| L4-00 | 3 | 917275 | Support modul terrage rs so |
| A3-00 | 1 | 918083 | Attelage triangle so |
| A2-00 | 7 | 918099 | Pied de bequille sp so |
| I4-00 | 12 | 918139 | Verrou de jar so |
| C2-00 | 31 | 918144 | Lievrier de sabot sp so |
| I3-00 | 12 | 918147 | Flasque debrayage sp so |
| G5-01 | 22 | 918181 | Patin limiteur central g so |
| G5-00 | 25 | 918192 | Patin limiteur special g so |
| G2-00 | 20 | 918216 | Biellette av sp so |
| G2-00 | 22 | 918217 | Biellette ar sp so |
| B4-00 | 4 | 918250 | Marches d acces so |
| G5-00 | 1 | 918275 | Platine jauge soc g so |

| PLANCHE | REP. | CODE | DÉSIGNATION |
|-------------|------|--------|--------------------------------|
| G5-01 | 1 | 918275 | Platine jauge soc g so |
| G5-00 | 17 | 918276 | Platine jauge soc d so |
| G5-01 | 14 | 918276 | Platine jauge soc d so |
| I1-00 | 2 | 918279 | Chape traceur hydro d so |
| I1-00 | 1 | 918280 | Chape traceur hydro g so |
| G2-00 | 1 | 918288 | Chape semeur spe so |
| A2-00 | 5 | 918313 | Bequille ar g mp so |
| A3-00 | 18 | 918333 | Chape de bielle mp so |
| A3-00 | 48 | 918334 | Chape de triangle ers16 so |
| I3-00 | 16 | 918335 | Flasque de debrayage droit so |
| A2-00 | 6 | 918347 | Bequille ar d mp so |
| G2-00 | 23 | 918352 | Biellette de terrage spe r3 so |
| F5-00 | 12 | 918358 | Adapt goulotte turb 3 so |
| B4-00 | 1 | 918360 | Marche superieure 3rgs so |
| E1-00 | 34 | 918366 | Entonnoir 32 dist rs so |
| D2-01 | 35 | 918367 | Verrou bras rs so |
| D3-00 | 38 | 918367 | Verrou bras rs so |
| E1-00 | 24 | 918372 | Entonnoir 24 dist rs so |
| A4-00 (bis) | 10 | 918392 | Bras appui g r rayon so |
| A4-00 (bis) | 11 | 918393 | Bras appui d r rayon so |
| I4-00 | 23 | 918402 | Chape de jalonneur tc so |
| E1-00 | 13 | 918405 | Vis serrage trappe caisson so |
| G5-00 | 34 | 919007 | Soc diffuseur uniband so |
| G5-01 | 31 | 919007 | Soc diffuseur uniband so |
| G5-00 | 31 | 919066 | Soc a jupe so |
| G5-01 | 28 | 919066 | Soc a jupe so |
| C2-00 | 50 | 919112 | Trappe d auget ct so |
| D4-00 (bis) | 1 | 919121 | Carter de bv ps so |
| B1-00 | 1 | 919140 | Tremie mp so |
| B1-00 | 2 | 919154 | Tremie mp 4m so |
| C2-00 (bis) | 78 | 919161 | Auget spi2 so |
| C2-00 | 47 | 919164 | Auget rs3m so |
| C2-00 (bis) | 54 | 919168 | Fond de tremie 32rgs so |
| I4-00 | 5 | 920010 | Broche de jar |
| I1-00 | 11 | 920027 | Pivot verrou traceur hydro |
| C2-00 (bis) | 75 | 920032 | Axe de fixation ressort mp4 |
| I1-00 (bis) | 51 | 921017 | Axe de traceur gc |
| A3-00 | 10 | 921024 | Broche de tirant |
| I4-00 | 17 | 921063 | Axe coude |
| H1-00 | 26 | 921081 | Barre de terrage 4m50 |
| G3-00 | 5 | 921085 | Axe de rotation uc |
| G3-01 | 24 | 921085 | Axe de rotation uc |
| K3-00 | 38 | 921089 | Broche verin linack variateur |

LISTING CODE CATALOGUE PIÈCES REGULINE SPI - 00

| PLANCHE | REP. | CODE | DÉSIGNATION |
|-------------|------|--------|---------------------------------|
| K5-00 | 42 | 921089 | Broche verin linack variateur |
| A1-00 | 16 | 921094 | Axe inf tirant de parallelogram |
| A1-00 | 8 | 921095 | Broche de parallelogramme |
| A1-01 | 8 | 921095 | Broche de parallelogramme |
| A3-00 | 12 | 921095 | Broche de parallelogramme |
| G2-01 | 7 | 921105 | Axe articulation semeur spe |
| G3-01 | 7 | 921105 | Axe articulation semeur spe |
| L4-00 | 11 | 921123 | Articulation modulation rs |
| L5-00 | 15 | 921127 | Axe de verin de relevage |
| G1-00 (bis) | 28 | 922092 | Vis de terrage ct |
| G5-00 | 9 | 922097 | Moyeu roue jauge |
| D4-00 | 6 | 922103 | Axe relais |
| C2-00 | 27 | 922105 | Arbre d ergot mp |
| D2-00 | 6 | 922107 | Axe mene mp |
| D2-01 | 6 | 922107 | Axe mene mp |
| F2-00 | 33 | 922108 | Vis de tension |
| G4-00 | 11 | 922112 | Moyeu rallonge mp dd |
| G4-01 | 12 | 922112 | Moyeu rallonge mp dd |
| G4-00 | 15 | 922113 | Arbre rallonge mp dd |
| G4-01 | 16 | 922113 | Arbre rallonge mp dd |
| G4-00 | 16 | 922114 | Rallonge de butee basse |
| G4-01 | 17 | 922114 | Rallonge de butee basse |
| C2-00 (bis) | 69 | 922116 | Arbre ergot g spi2 |
| C2-00 (bis) | 70 | 922117 | Arbre ergot d spi2 |
| C2-00 (bis) | 63 | 922118 | Arbre regulateur g spi2 |
| C2-00 (bis) | 64 | 922119 | Arbre regulateur d spi2 |
| D3-00 | 11 | 922121 | Axe mene rs g |
| C2-00 | 13 | 922123 | Arbre regulateur rs3m |
| G1-01(bis) | 36 | 922124 | Vis de terrage rs |
| I3-00 | 18 | 923067 | Recepteur tramlines |
| F2-00 | 20 | 923071 | Moyeu taper lock 1p3-8 6 can |
| F2-00 | 21 | 923072 | Moyeu taper lock 1p3-8 21 can |
| F2-00 | 22 | 923074 | Moyeu taper lock 1p3-4 6 can |
| A3-00 | 49 | 923077 | Moyeu d22 |
| A3-00 | 28 | 923078 | Moyeu d25 |
| F2-00 | 35 | 923078 | Moyeu d25 |
| A3-00 | 29 | 923079 | Moyeu d27 |
| A3-00 | 30 | 923080 | Moyeu d30 |
| A3-00 | 31 | 923081 | Moyeu d32 |
| G5-00 | 10 | 923084 | Moyeu roue jauge large |
| G5-01 | 9 | 923084 | Moyeu roue jauge large |
| D2-00 | 22 | 923090 | Entretoise de bras mp |
| D2-01 | 23 | 923090 | Entretoise de bras mp |

| PLANCHE | REP. | CODE | DÉSIGNATION |
|-------------|------|--------|---------------------------------|
| D3-00 | 29 | 923090 | Entretoise de bras mp |
| F4-00 | 7 | 923092 | Moyeu amovible d 14 |
| F4-00 | 8 | 923093 | Moyeu de roue a aube hydr |
| D4-00 (bis) | 8 | 924017 | Palier tambour menant |
| B1-00 | 17 | 924026 | Palier indicateur niveau |
| C2-00 | 36 | 924035 | Demi palier agitateur |
| I1-00 | 23 | 924042 | Chape tige verin traceur |
| A3-00 | 32 | 925021 | Bague attelage 20 |
| G4-00 | 17 | 925021 | Bague attelage 20 |
| G4-01 | 18 | 925021 | Bague attelage 20 |
| D1-00 | 15 | 925027 | Cale de levier |
| D1-00 | 19 | 925042 | Accouplement agitateur |
| G1-00 (bis) | 22 | 925060 | Entretoise de toit ct |
| I1-00 | 26 | 925070 | Bague entretoise |
| A3-00 | 47 | 925074 | Entretoise 3pt |
| A3-00 | 25 | 925079 | Rondelle sup de bielle |
| C2-00 | 25 | 925081 | Cale de palier |
| G2-00 | 7 | 925082 | Entretoise courte spe |
| F2-00 | 10 | 925088 | Plaque etancheite turbine3 |
| D2-01 | 12 | 925094 | Rondelle etancheite bras roue |
| D3-00 | 18 | 925094 | Rondelle etancheite bras roue |
| F2-00 | 13 | 926051 | Rondelle de calage roue a aube |
| H1-00 | 17 | 927002 | Broche d12 |
| I1-00 | 39 | 927002 | Broche d12 |
| L5-00 | 11 | 927002 | Broche d12 |
| A4-00 (bis) | 7 | 927040 | Butee sup roul rayonneur |
| D2-00 | 28 | 930002 | Axe de roue |
| D2-01 | 28 | 930002 | Axe de roue |
| D3-00 | 34 | 930002 | Axe de roue |
| D4-00 (bis) | 41 | 930027 | Axe relais spi2 |
| D4-00 (bis) | 24 | 930028 | Arbre accouplement reg spi2 |
| D4-00 (bis) | 13 | 930029 | Arbre adaptation agitateur spi2 |
| C2-00 (bis) | 62 | 931031 | Palier court regulateur |
| C2-00 | 26 | 931038 | Palier court ergot |
| C2-00 (bis) | 61 | 931056 | Palier long regul spi2 |
| C1-00 (bis) | 12 | 931057 | Entretoise moteur spi2 |
| C1-00 (bis) | 8 | 931058 | Entretoise recepteur spi2 |
| D4-00 (bis) | 33 | 931059 | Noix accouplement reg spi2 |
| F2-00 | 17 | 932018 | Poulie spz d71 |
| F2-00 | 18 | 932019 | Poulie spz d 200 2g |
| F2-00 | 19 | 932020 | Poulie spz d 355 |
| F2-00 | 2 | 934001 | Plaque de guidage turbine |
| B2-00 | 16 | 940106 | Tube bache dx |

| PLANCHE | REP. | CODE | DÉSIGNATION |
|-------------|------|--------|-------------------------------|
| G5-00 | 6 | 940110 | Bras roue jauge |
| G5-01 | 6 | 940110 | Bras roue jauge |
| G1-01(bis) | 25 | 940115 | Bras de terrage |
| I1-00 | 37 | 940118 | Bras secondaire de traceur |
| I1-00 | 38 | 940119 | Bras secondaire long |
| I1-00 | 36 | 940120 | Bras secondaire court |
| B2-00 | 14 | 940128 | Tube de bache mp |
| A3-00 | 46 | 940144 | Tirant 3pt ers16 |
| G1-00 (bis) | 21 | 940150 | Bras principal terrage spe |
| G5-00 | 24 | 940156 | Bras roue jauge ext |
| G5-01 | 21 | 940156 | Bras roue jauge ext |
| A4-00 | 1 | 940159 | Support d appui packer |
| A4-00 | 2 | 940166 | Support d appui packer 460 |
| A1-01 | 11 | 940172 | Barre parallelo nm |
| G2-01 | 18 | 941046 | Biellette de pression spe |
| G3-01 | 16 | 941046 | Biellette de pression spe |
| I3-00 | 10 | 941050 | Barre de debrayage sym mp |
| I3-00 | 11 | 941052 | Barre de debrayage sym mp4 |
| C2-00 | 51 | 942040 | Levier de trappe ct |
| K3-00 | 27 | 942041 | Equerre support jauge |
| K5-00 | 31 | 942041 | Equerre support jauge |
| B2-00 | 5 | 942052 | Bras bache drx |
| B2-00 | 13 | 942057 | Biellette bache lx dx |
| B2-00 | 6 | 942058 | Bras avant bache lx dx |
| B2-00 | 11 | 942059 | Bras central lx dx |
| C1-00 (bis) | 14 | 944003 | Flasque debrayage |
| B1-00 | 24 | 951092 | Rampe d appui |
| C2-00 | 16 | 951232 | Equerre palier ergot ps |
| H1-00 | 14 | 951264 | Platine de reglage herse |
| F4-00 | 18 | 951270 | Support 2 push pull |
| K3-00 | 32 | 951287 | Support verin linak variateur |
| K5-00 | 36 | 951287 | Support verin linak variateur |
| A3-00 | 37 | 951312 | Platine breviglieri |
| I1-00 | 15 | 951315 | Tenon de verin |
| K3-00 | 19 | 951401 | Support capteur turbine3 hydr |
| K5-00 | 23 | 951401 | Support capteur turbine3 hydr |
| J1-00 | 10 | 951429 | Support boite connexion wd |
| G5-00 | 36 | 951496 | Rallonge de bras de herse nm |
| G5-01 | 33 | 951496 | Rallonge de bras de herse nm |
| B1-00 | 26 | 952100 | Entretoise de rampe |
| H1-00 | 21 | 952112 | Cale de herse |
| G2-00 | 6 | 952127 | Coquille de semeur spe |
| B1-00 | 15 | 952130 | Entretoise sup de tremie mp |

LISTING CODE CATALOGUE PIÈCES REGULINE SPI - 00

| PLANCHE | REP. | CODE | DÉSIGNATION |
|-------------|------|--------|-------------------------------|
| A3-00 | 21 | 952134 | Bielle d attelage 1 |
| A3-00 | 22 | 952135 | Bielle d attelage 2 |
| A3-00 | 23 | 952136 | Bielle d attelage 3 |
| A3-00 | 24 | 952137 | Bielle d attelage 4 |
| C2-00 | 17 | 952146 | Cale de palier mp |
| A1-00 | 3 | 953135 | Renfort flasque mp4 |
| A1-01 | 3 | 953135 | Renfort flasque mp4 |
| A4-00 | 12 | 953140 | Tirant de transport |
| A4-00 (bis) | 13 | 953140 | Tirant de transport |
| A4-00 | 17 | 954042 | Appui de bequille |
| A4-00 (bis) | 18 | 954042 | Appui de bequille |
| A4-00 | 14 | 955107 | Cale de bequille |
| A4-00 (bis) | 15 | 955107 | Cale de bequille |
| G4-01 | 24 | 955122 | Platine adaptation ressort dd |
| G2-01 | 2 | 956089 | Demi chape ar spe |
| G3-01 | 2 | 956089 | Demi chape ar spe |
| G2-01 | 1 | 956090 | Demi chape av spe |
| G3-01 | 1 | 956090 | Demi chape av spe |
| H1-00 | 25 | 958002 | Barre porte dent longue ct 4m |
| H1-00 | 24 | 958003 | Barre porte dent courte ct 4m |
| G1-00 | 6 | 958034 | Barre porte dent 3m |
| G1-01 | 6 | 958034 | Barre porte dent 3m |
| H1-00 | 23 | 958034 | Barre porte dent 3m |
| H1-00 | 27 | 958038 | Barre porte dent longue 4m50 |
| G1-00 | 8 | 958052 | Barre de terrage 4m spe |
| G1-01 | 8 | 958052 | Barre de terrage 4m spe |
| G1-00 | 10 | 958053 | Barre de terrage 4m50 spe |
| G1-01 | 10 | 958053 | Barre de terrage 4m50 spe |
| A3-00 | 41 | 960016 | Chape amazone alt et ke |
| A3-00 | 45 | 960087 | Chape renfort adapt rabewerk |
| A3-00 | 2 | 961004 | Verrou |
| C2-00 | 49 | 961011 | Palier de trappe d auget ct |
| G4-00 | 19 | 961015 | Attache pare boue |
| G4-01 | 20 | 961015 | Attache pare boue |
| G4-00 | 2 | 961022 | Adaptation double disque g |
| G4-01 | 2 | 961022 | Adaptation double disque g |
| G4-00 | 3 | 961023 | Adaptation double disque d |
| G4-01 | 3 | 961023 | Adaptation double disque d |
| K3-00 | 11 | 962016 | Equerre de toit |
| K5-00 | 18 | 962016 | Equerre de toit |
| H1-00 | 20 | 962034 | Bride longue diam 10 |
| H2-00 | 2 | 962034 | Bride longue diam 10 |
| I1-00 | 18 | 962071 | Verrou de traceur ps |

| PLANCHE | REP. | CODE | DÉSIGNATION |
|-------------|------|--------|-------------------------------|
| H2-00 | 4 | 962075 | Bride de dent double |
| H1-00 | 30 | 962076 | Bride de dent de herse |
| B1-00 | 23 | 962106 | Main courante pack 3m |
| G2-00 | 2 | 962130 | Bride de chape spe |
| D2-00 | 35 | 962140 | Verrou relevage bras mp |
| K3-00 | 20 | 962143 | Support capteur turbine3 meca |
| K5-00 | 24 | 962143 | Support capteur turbine3 meca |
| I4-00 | 24 | 962144 | Contre chape jalonneur spi2 |
| A4-00 | 6 | 962145 | Verrouillage mp |
| K6-00 | 1 | 962152 | Support cellule g rs |
| K6-00 | 2 | 962153 | Support cellule d rs |
| L5-00 | 18 | 962161 | Attache ressort relevage |
| I1-00 (bis) | 47 | 963025 | Cale orientation ct |
| I4-00 | 1 | 963050 | Chape de verin de jar |
| I3-00 | 17 | 963111 | Arret fourchette assymetrique |
| G5-00 | 26 | 963119 | Cale de tige ep 6 |
| G5-01 | 23 | 963119 | Cale de tige ep 6 |
| G3-00 | 4 | 963151 | Rondelle calage unidisc |
| G3-01 | 23 | 963151 | Rondelle calage unidisc |
| B4-00 | 7 | 963156 | Semelle d escalier |
| G5-00 | 22 | 963158 | Poignee de roue jauge |
| G5-01 | 19 | 963158 | Poignee de roue jauge |
| C1-00 (bis) | 16 | 963184 | Cran debrayage |
| K5-00 | 14 | 964066 | Support contact compteur |
| C2-00 (bis) | 71 | 964110 | Arbre de sabots mp4 |
| G2-00 | 14 | 964112 | Tige de terrage r1 spe |
| G2-00 | 15 | 964113 | Tige de terrage r2 spe |
| G2-00 | 16 | 964114 | Tige de terrage r3 spe |
| G2-01 | 11 | 964118 | Tube de pression t1 spe |
| G3-01 | 10 | 964118 | Tube de pression t1 spe |
| G2-01 | 12 | 964119 | Tube de pression t2 spe |
| G3-01 | 11 | 964119 | Tube de pression t2 spe |
| G2-01 | 17 | 964121 | Rondelle de terrage spe |
| G3-01 | 15 | 964121 | Rondelle de terrage spe |
| C2-00 | 43 | 964126 | Articulation couvercle |
| F5-00 | 14 | 964132 | Tole support filtre |
| C1-00 | 3 | 965056 | Entretoise sp |
| E1-00 | 35 | 965121 | Deflecteur regulateur spi2 |
| E1-00 | 29 | 965123 | Deflecteur reg rs3m |
| G5-00 | 15 | 966019 | Rondelle flasque |
| G5-01 | 12 | 966019 | Rondelle flasque |
| C1-00 | 6 | 966020 | Trappe de demi semoir |
| C2-00 (bis) | 73 | 966021 | Tole liaison boitier |

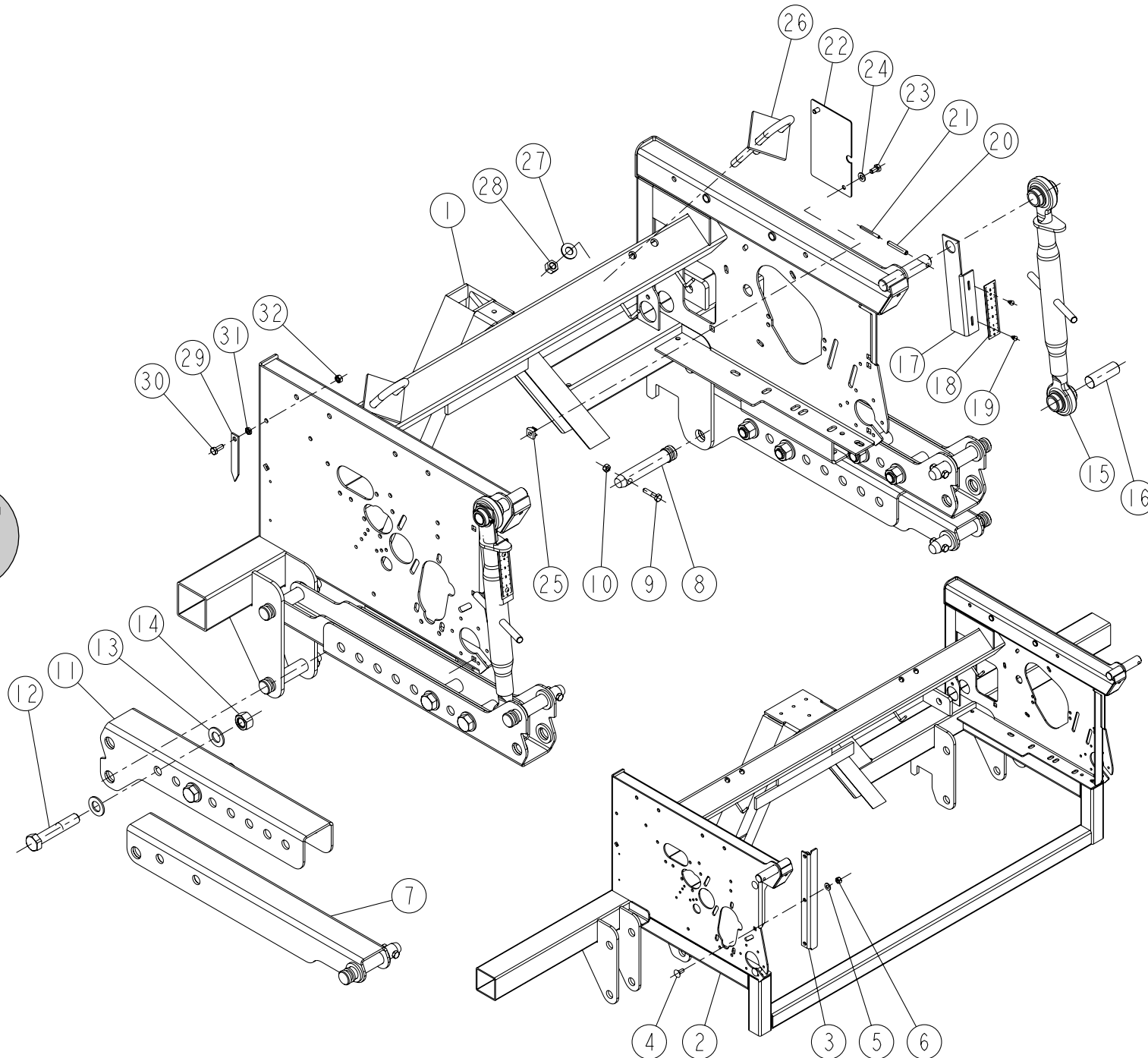
| PLANCHE | REP. | CODE | DÉSIGNATION |
|-------------|------|--------|-------------------------------|
| K7-00 | 1 | 967104 | Porte feu std g |
| K7-00 | 2 | 967105 | Porte feu std d |
| B2-00 | 1 | 967107 | Equerre bache drx |
| G5-00 | 41 | 967117 | Platine accouplement escalier |
| G5-01 | 38 | 967117 | Platine accouplement escalier |
| K6-00 | 7 | 967146 | Support brosse rs g |
| K6-00 | 8 | 967147 | Support brosse rs d |
| K7-01 | 1 | 967163 | Porte feu nm g |
| K7-01 | 2 | 967164 | Porte feu nm d |
| G1-00 (bis) | 26 | 968016 | Repere enterrage spi2 |
| G1-01(bis) | 39 | 968017 | Index de terrage tc |
| B3-00 | 13 | 970141 | Rehausse2long dx |
| B3-00 | 7 | 970142 | Rehausse2larg lx dx |
| B3-00 | 12 | 970142 | Rehausse2larg lx dx |
| B3-00 | 8 | 970162 | Rehausse2long mp |
| C1-00 | 1 | 971008 | Boitier standard |
| D4-00 | 12 | 972112 | Carter de relais |
| F2-00 | 40 | 972114 | Carter de triangle |
| F1-00 | 13 | 972118 | Carter turbine 3 |
| C2-00 (bis) | 76 | 972124 | Cache distribution spi2 |
| D4-00 (bis) | 36 | 972125 | Carter relais regul spi2 |
| C2-00 | 15 | 972126 | Cache distribution rs3m |
| B3-00 | 1 | 973045 | Coin rehausse double |
| B4-00 | 13 | 973055 | Flasque tuyau spi2 |
| D4-00 (bis) | 5 | 974047 | Couvercle carter de bv ps |
| D2-00 | 21 | 974051 | Couvercle de bras mp |
| D2-01 | 22 | 974051 | Couvercle de bras mp |
| D3-00 | 28 | 974051 | Couvercle de bras mp |
| D2-00 | 12 | 974052 | Bouchon sup de bras roue |
| D2-01 | 11 | 974052 | Bouchon sup de bras roue |
| D3-00 | 17 | 974052 | Bouchon sup de bras roue |
| C1-00 | 4 | 975021 | Goulotte sp ps |
| F5-00 | 1 | 976003 | Filtre turbine |
| I1-00 (bis) | 42 | 980003 | Dent d escamotage |
| H1-00 | 28 | 980010 | Dent de herse |
| H2-00 | 3 | 980011 | Dent de herse double |
| I1-00 (bis) | 56 | 980102 | Disque de traceur |
| I4-00 | 16 | 980102 | Disque de traceur |
| G3-00 | 10 | 980108 | Disque convexe uc |
| G3-01 | 29 | 980108 | Disque convexe uc |
| G3-00 | 13 | 980109 | Rasette unidisc uc g |
| G3-01 | 32 | 980109 | Rasette unidisc uc g |
| G3-00 | 17 | 980110 | Rasette unidisc uc d |

LISTING CODE CATALOGUE PIÈCES REGULINE SPI - 00

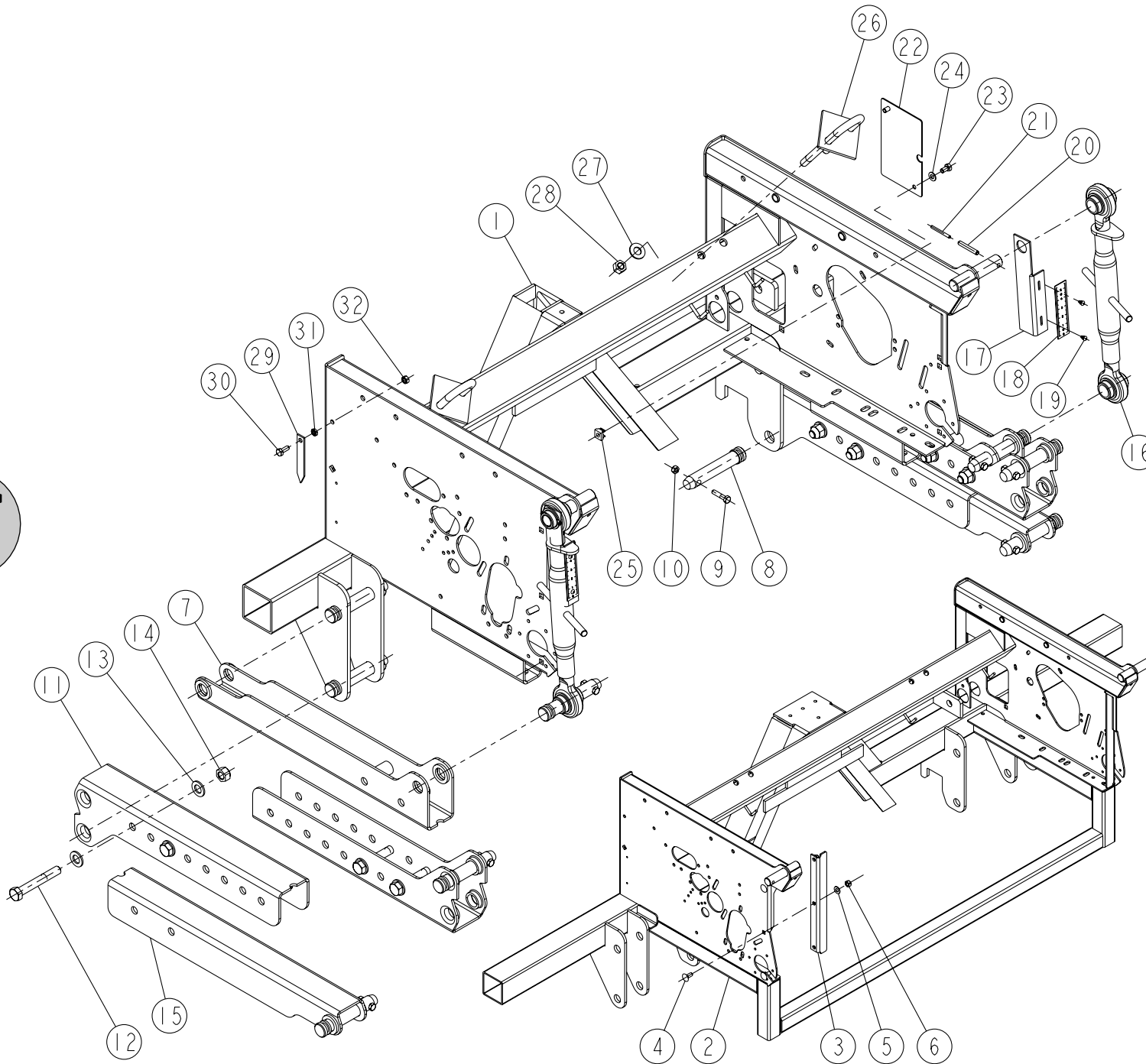
| PLANCHE | REP. | CODE | DÉSIGNATION |
|-------------|------|--------|--------------------------------|
| G3-01 | 36 | 980110 | Rasette unidisc uc d |
| F1-00 | 1 | 980202 | Turbine 3 |
| G5-00 | 11 | 980408 | Roue jauge |
| G5-00 | 13 | 980412 | Roue jauge large |
| G5-01 | 10 | 980412 | Roue jauge large |
| B4-00 | 9 | 980513 | Passerelle ct 4m |
| B4-00 | 8 | 980520 | Passerelle mp |
| B3-00 | 10 | 980521 | Tamis mp |
| B3-00 | 14 | 980524 | Tamis mp4 |
| D2-00 | 20 | 980612 | Chaîne primaire mp |
| D2-01 | 21 | 980612 | Chaîne primaire mp |
| D3-00 | 27 | 980612 | Chaîne primaire mp |
| D4-00 (bis) | 42 | 980613 | Chaîne primaire regul spi2 |
| D4-00 (bis) | 26 | 980614 | Chaîne secondaire regul spi2 |
| D4-00 | 11 | 980615 | Chaîne entrainement d spi2 |
| D4-00 (bis) | 30 | 980711 | Pignon 20 dents m 4 |
| D4-00 (bis) | 25 | 980723 | Pignon pas 12 7 12dts d25 spi2 |
| D2-00 | 9 | 980748 | Disque pas 12 7 12 dts |
| D2-01 | 9 | 980748 | Disque pas 12 7 12 dts |
| D3-00 | 15 | 980748 | Disque pas 12 7 12 dts |
| D2-00 | 43 | 980753 | Cardan bras de roue mp4 |
| D2-01 | 41 | 980753 | Cardan bras de roue mp4 |
| D3-00 | 49 | 980753 | Cardan bras de roue mp4 |
| D4-00 (bis) | 31 | 980771 | Engrenage 12 dents |
| F2-00 | 7 | 980794 | Boîtier mp10 |
| D2-00 | 40 | 980795 | Cardan bras de roue mp |
| D2-01 | 38 | 980795 | Cardan bras de roue mp |
| D3-00 | 46 | 980795 | Cardan bras de roue mp |
| A3-00 | 9 | 980900 | Tirant 565 860 |
| A1-00 | 15 | 980901 | Tirant 420 620 |
| A1-01 | 16 | 980901 | Tirant 420 620 |
| A3-00 | 8 | 980901 | Tirant 420 620 |
| A3-00 | 6 | 980902 | Tirant 305 385 |
| A3-00 | 7 | 980905 | Tirant 355 490 |
| C2-00 | 53 | 981010 | Ressort de trappe |
| D2-00 | 39 | 981100 | Ressort de dome |
| D2-01 | 37 | 981100 | Ressort de dome |
| D3-00 | 45 | 981100 | Ressort de dome |
| L5-00 | 23 | 981104 | Ressort de rappel |
| C1-00 (bis) | 7 | 981203 | Ressort debrayage spi2 |
| I1-00 | 21 | 981302 | Ressort amortisseur |
| G2-00 | 18 | 981303 | Ressort double effet |
| F2-00 | 36 | 981304 | Ressort de turbine mp |

| PLANCHE | REP. | CODE | DÉSIGNATION |
|---------|------|--------|---------------------------------|
| G5-00 | 30 | 981400 | Agrafe de soc |
| G5-01 | 27 | 981400 | Agrafe de soc |
| C1-00 | 7 | 981404 | Ressort de trappe sp |
| I3-00 | 19 | 981405 | Ressort d embrayage |
| I3-00 | 24 | 981410 | Ressort d embrayage droit |
| G2-01 | 14 | 981411 | Ressort de terrage de r1 spe |
| G3-01 | 13 | 981411 | Ressort de terrage de r1 spe |
| G2-01 | 15 | 981412 | Ressort de terrage de r2 spe |
| G3-01 | 14 | 981412 | Ressort de terrage de r2 spe |
| G2-01 | 16 | 981413 | Ressort de terrage de r3 spe |
| G5-00 | 8 | 981607 | Ressort epingle g |
| G5-01 | 8 | 981607 | Ressort epingle g |
| G5-00 | 21 | 981608 | Ressort epingle d |
| G5-01 | 18 | 981608 | Ressort epingle d |
| L4-00 | 9 | 982305 | Verin modulation sp |
| J1-00 | 5 | 982307 | Verin tirant 35x20 |
| L5-00 | 14 | 982311 | Verin de relevage |
| K3-00 | 37 | 982501 | Verin électrique dpb |
| K5-00 | 41 | 982501 | Verin électrique dpb |
| K3-00 | 5 | 982502 | Verin électrique tramlines |
| K5-00 | 8 | 982502 | Verin électrique tramlines |
| J1-00 | 16 | 983003 | Kit hydraulique |
| J1-00 | 18 | 983011 | Kit jalonneurs ar |
| J1-00 | 17 | 983032 | Kit traceurs lateraux |
| J1-00 | 19 | 983044 | Kit hydr rallonge mp |
| L4-00 | 14 | 983052 | Kit hydrau alim modulation rs |
| L4-00 | 16 | 983053 | Kit hydrau liaison verins rs |
| L5-00 | 26 | 983054 | Kit hydr relevage barre de semi |
| K3-00 | 7 | 983619 | Rallonge ultron 4m 16 voies |
| K5-00 | 10 | 983619 | Rallonge ultron 4m 16 voies |
| K3-00 | 8 | 983620 | Rallonge ultron 6m 16 voies |
| K5-00 | 11 | 983620 | Rallonge ultron 6m 16 voies |
| K3-00 | 9 | 983621 | Rallonge ultron 9m 16 voies |
| K5-00 | 12 | 983621 | Rallonge ultron 9m 16 voies |
| K3-00 | 2 | 983632 | Console ultron-ms |
| K3-00 | 4 | 983638 | Faisceau ultron tl 2lts turbine |
| K5-00 | 7 | 983638 | Faisceau ultron tl 2lts turbine |
| K3-00 | 6 | 983642 | Connecteur electrovalve wd |
| K5-00 | 9 | 983642 | Connecteur electrovalve wd |
| K5-00 | 5 | 983644 | Faisceau vision semoir-console |
| K5-00 | 6 | 983654 | Rotule console vision d25 nm |
| K5-00 | 2 | 983709 | Console vision spb mo |
| K3-00 | 1 | 983712 | Faisceau 12 volts cobo |

| PLANCHE | REP. | CODE | DÉSIGNATION |
|-------------|------|--------|--------------------------------|
| K5-00 | 1 | 983712 | Faisceau 12 volts cobo |
| F1-00 | 14 | 983803 | Tuyau d 140 l 1150 |
| K7-00 | 6 | 983813 | Kit éclairage semoirs |
| K7-01 | 6 | 983820 | Kit éclairage semoir connec |
| J1-00 | 1 | 983901 | Inverseur hydraulique |
| K3-00 | 43 | 983912 | Capteur ils |
| K5-00 | 47 | 983912 | Capteur ils |
| K3-00 | 39 | 983914 | Aimant |
| K5-00 | 43 | 983914 | Aimant |
| K3-00 | 40 | 983915 | Aimant a collier |
| K5-00 | 44 | 983915 | Aimant a collier |
| K3-00 | 42 | 983916 | Aimant de distribution 6 plots |
| K5-00 | 46 | 983916 | Aimant de distribution 6 plots |
| K3-00 | 44 | 983917 | Capteur de niveau |
| K5-00 | 48 | 983917 | Capteur de niveau |
| K6-00 | 14 | 983927 | Capteur detection bouchage |
| K3-00 | 3 | 983930 | Facade ultron-ms |
| D1-00 | 7 | 984008 | Bouchon de vidange 3 8 gaz |
| I1-00 | 22 | 985009 | Bague de palier guidage |
| I3-00 | 7 | 985009 | Bague de palier guidage |
| C1-00 | 11 | 985014 | Regulateur spi |
| I3-00 | 23 | 985022 | Roue fine tramlines sp |
| G3-00 | 6 | 985027 | Moyeu roulement uc |
| G3-01 | 25 | 985027 | Moyeu roulement uc |
| G3-00 | 9 | 985028 | Chapeau unidisc |
| G3-01 | 28 | 985028 | Chapeau unidisc |
| I1-00 (bis) | 55 | 985029 | Moyeu roulement traceur |
| I4-00 | 19 | 985029 | Moyeu roulement traceur |
| D4-00 | 4 | 985031 | Chapeau de palier |
| D4-00 (bis) | 40 | 985031 | Chapeau de palier |
| C2-00 | 20 | 985035 | Palier d arbre ergot |
| D4-00 | 1 | 985035 | Palier d arbre ergot |
| D4-00 (bis) | 38 | 985035 | Palier d arbre ergot |
| C2-00 (bis) | 77 | 985043 | Couvercle transparent |
| C2-00 | 44 | 985044 | Couvercle transparent rs3m |
| L5-00 | 5 | 985047 | Patin de coulisse inferieure |
| L5-00 | 7 | 985048 | Galet de coulisse |
| C1-00 | 10 | 985210 | Obturbateur sp |
| G2-01 | 6 | 985230 | Coussinet de semeur spe |
| G3-01 | 6 | 985230 | Coussinet de semeur spe |
| F5-00 | 10 | 985605 | Goulotte aspiration |
| F5-00 | 8 | 987106 | Tuyau d 200 l 1200 |
| E1-00 | 30 | 987119 | Bouchon d injecteur mp |

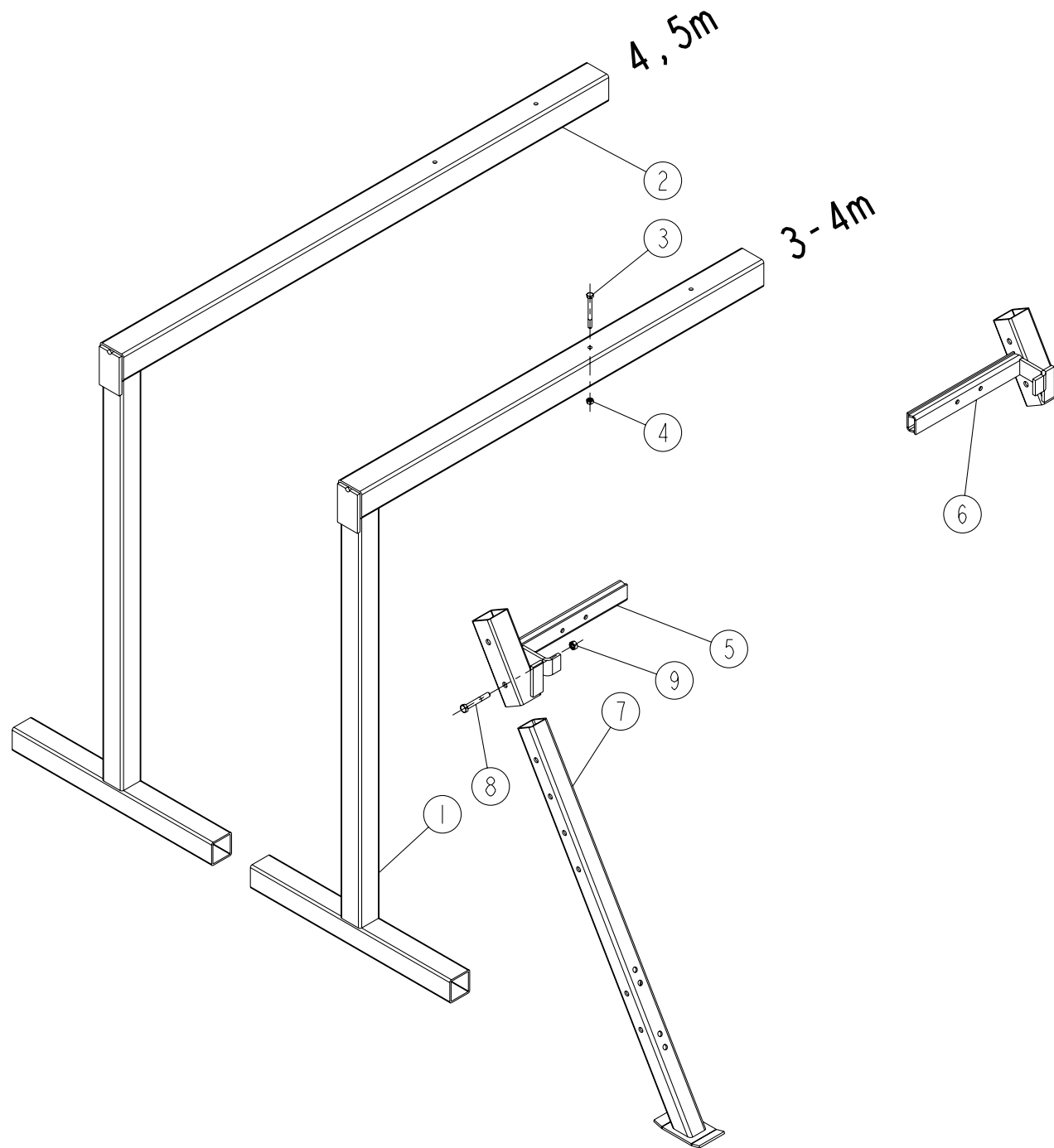


| REP | CODE | DÉSIGNATION |
|-----|--------|-----------------------------------|
| 1 | 917248 | Bati rs3m so |
| 2 | 917240 | Bati spi2 so |
| 3 | 953135 | Renfort flasque mp4 |
| 4 | 558975 | Vis trcc 10x25 inox a2 70 fst |
| 5 | 573109 | Rondelle m10 n zn 6 c fe |
| 6 | 571460 | Ecrou frein nylon h10 zn 6 c fe |
| 7 | 916154 | Bielle int de parallelo so |
| 8 | 921095 | Broche de parallelogramme |
| 9 | 551885 | Vis h 8x35 zn 6 c fe fp |
| 10 | 571458 | Ecrou frein h8 zn 6 c fe |
| 11 | 916153 | Bielle ext de parallelo so |
| 12 | 553110 | Vis h 20x110 zn 6 c fe fp |
| 13 | 573170 | Rondelle m20 n zn 6 c fe |
| 14 | 571220 | Ecrou h20 zn 6 c fe |
| 15 | 980901 | Tirant 420 620 |
| 16 | 921094 | Axe inf tirant de parallelogramme |
| 17 | 996293 | Index de terrage |
| 18 | 989020 | Reglet de terrage |
| 19 | 598041 | Rivet aveugle 4x10 alu |
| 20 | 589410 | Goup elastic 8x50 inox |
| 21 | 590210 | Goup elastic 5x50 serie ep |
| 22 | 997755 | Trappe droite de bati mp |
| 23 | 551865 | Vis h 8x15 zn 6 c fe fst |
| 24 | 573158 | Rondelle m8 n zn 6 c fe |
| 25 | 571919 | Ecrou cage m8 inox ep 4 7 |
| 26 | 991777 | Anneau de levage mp so |
| 27 | 573164 | Rondelle m14 n zn 6 c fe |
| 28 | 571414 | Ecrou frein nylon h14 zn 6 c fe |
| 29 | 909111 | Indicateur de position |
| 30 | 551870 | Vis h 8x20 zn 6 c fe 8 8 fst |
| 31 | 571278 | Ecrou hm 8 inox a2 70 |
| 32 | 571208 | Ecrou h8 zn 6 c fe |



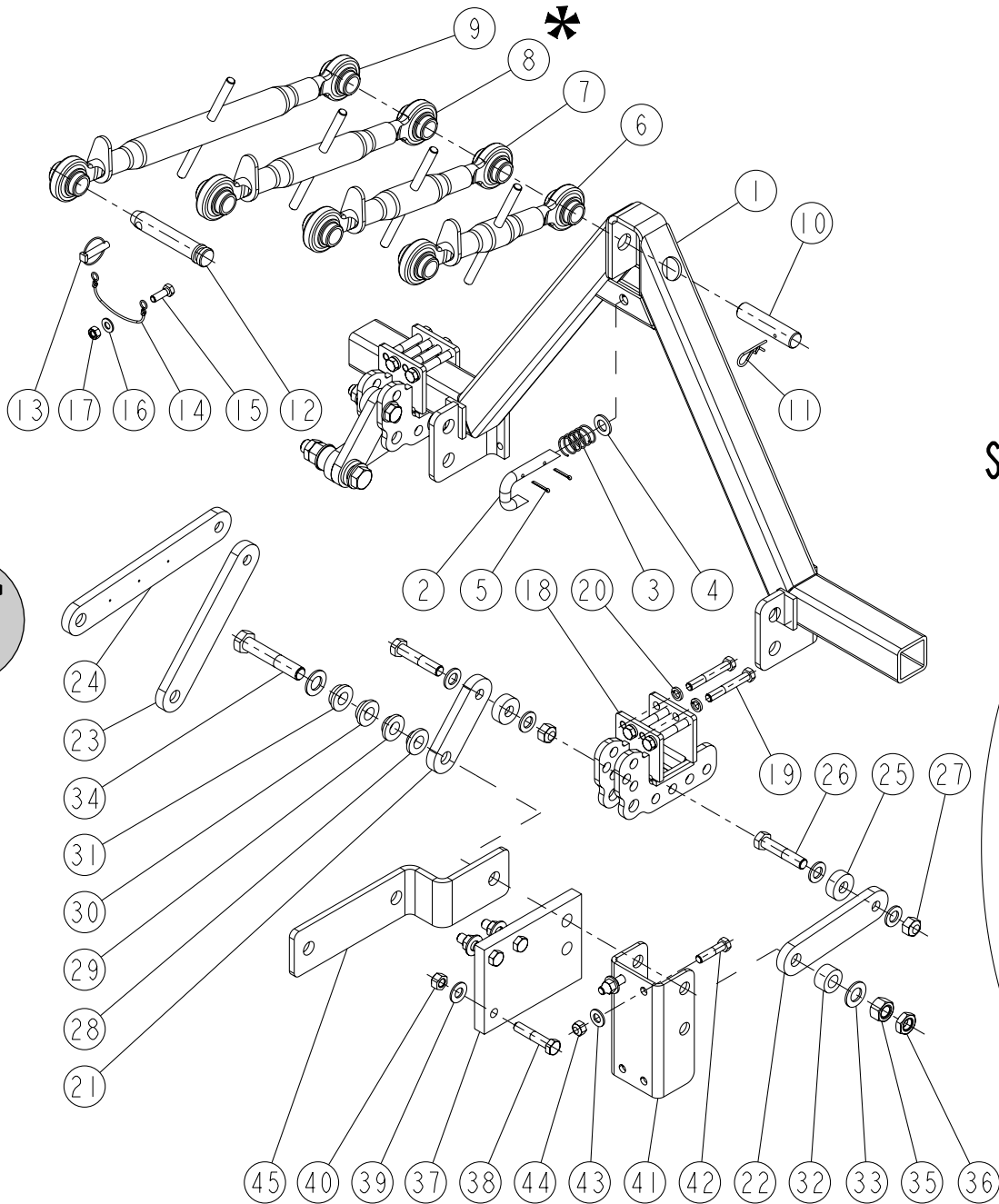
| REP | CODE | DÉSIGNATION |
|-----|--------|---------------------------------|
| 1 | 917248 | Bati rs3m so |
| 2 | 917240 | Bati spi2 so |
| 3 | 953135 | Renfort flasque mp4 |
| 4 | 558975 | Vis trcc 10x25 inox a2 70 fst |
| 5 | 573109 | Rondelle m10 n zn 6 c fe |
| 6 | 571460 | Ecrou frein nylon h10 zn 6 c fe |
| 7 | 916210 | Barre droite paralelo nm so |
| 8 | 921095 | Broche de parallelogramme |
| 9 | 551885 | Vis h 8x35 zn 6 c fe fp |
| 10 | 571458 | Ecrou frein h8 zn 6 c fe |
| 11 | 940172 | Barre paralelo nm |
| 12 | 552735 | Vis h 16 110 zn 6 c fe fp |
| 13 | 573166 | Rondelle m16 n zn 6 c fe |
| 14 | 571416 | Ecrou frein nylon h16 zn 6 c fe |
| 15 | 916217 | Barre droite inf paralle nm so |
| 16 | 980901 | Tirant 420 620 |
| 17 | 996293 | Index de terrage |
| 18 | 989020 | Reglet de terrage |
| 19 | 598041 | Rivet aveugle 4x10 alu |
| 20 | 589410 | Goup elastic 8x50 inox |
| 21 | 590210 | Goup elastic 5x50 serie ep |
| 22 | 997755 | Trappe droite de bati mp |
| 23 | 551865 | Vis h 8x15 zn 6 c fe fst |
| 24 | 573158 | Rondelle m8 n zn 6 c fe |
| 25 | 571919 | Ecrou cage m8 inox ep 4 7 |
| 26 | 991777 | Anneau de levage mp so |
| 27 | 573164 | Rondelle m14 n zn 6 c fe |
| 28 | 571414 | Ecrou frein nylon h14 zn 6 c fe |
| 29 | 909111 | Indicateur de position |
| 30 | 551870 | Vis h 8x20 zn 6 c fe 8 8 fst |
| 31 | 571278 | Ecrou hm 8 inox a2 70 |
| 32 | 571208 | Ecrou h8 zn 6 c fe |

RS



| REP | CODE | DÉSIGNATION |
|-----|---------|-----------------------------|
| 1 | 1191375 | Bequille av mp so |
| 2 | 1191516 | Bequille av mp 4m50 so |
| 3 | 551930 | Vis h 8x80 zn 6 c fe 8 8 fp |
| 4 | 571208 | Ecrou h8 zn 6 c fe |
| 5 | 918313 | Bequille ar g mp so |
| 6 | 918347 | Bequille ar d mp so |
| 7 | 918099 | Pied de bequille sp so |
| 8 | 552125 | Vis h 10x70 6 c fe 8 8 fp |
| 9 | 571210 | Ecrou h10 zn 6 c fe |

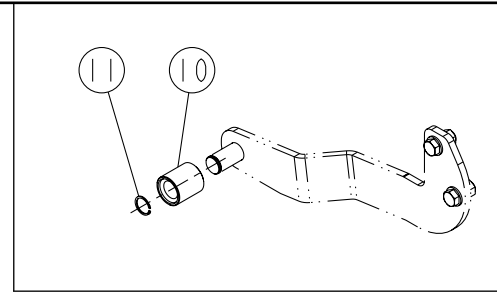
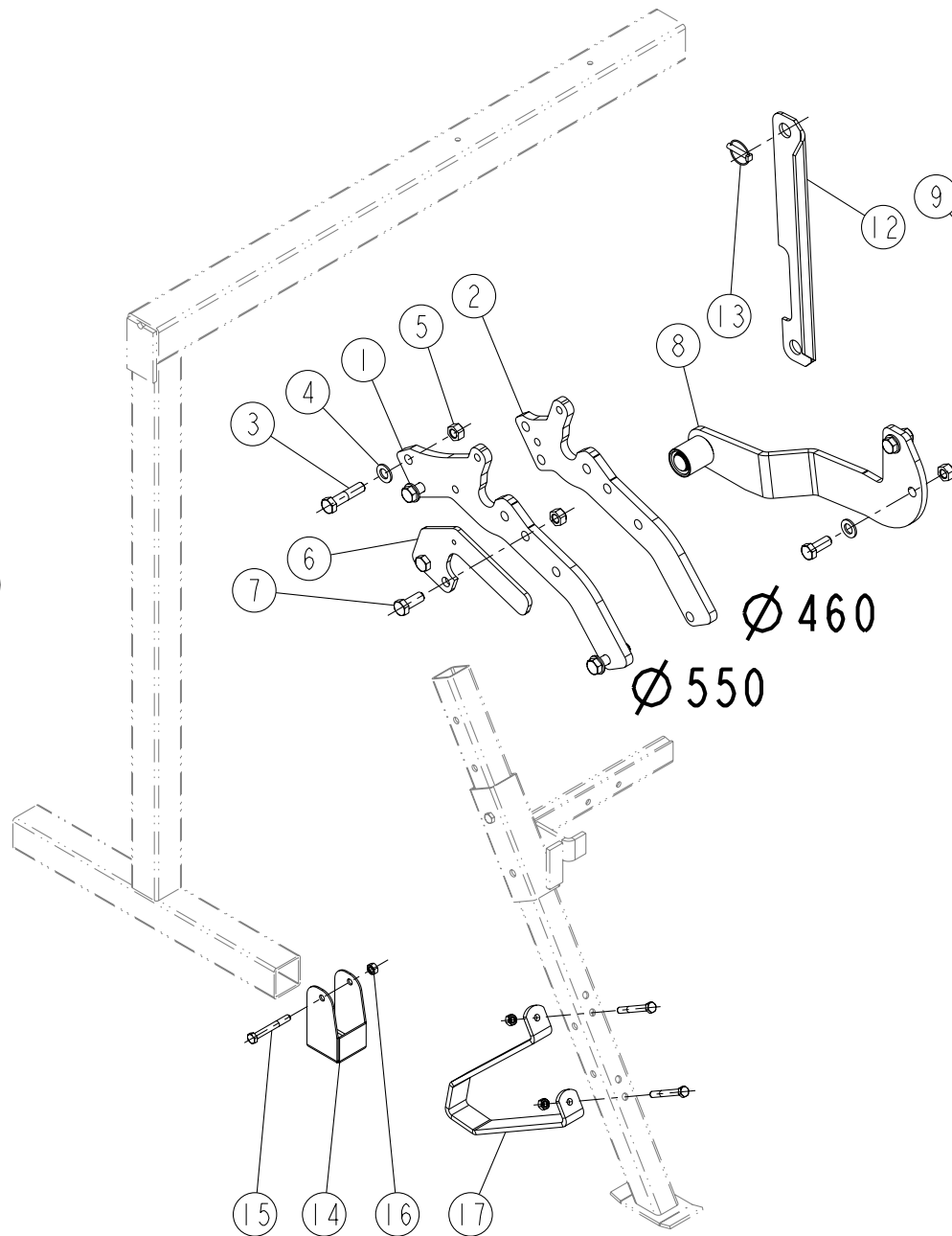
A2-00



SULKY CULTILINE HR

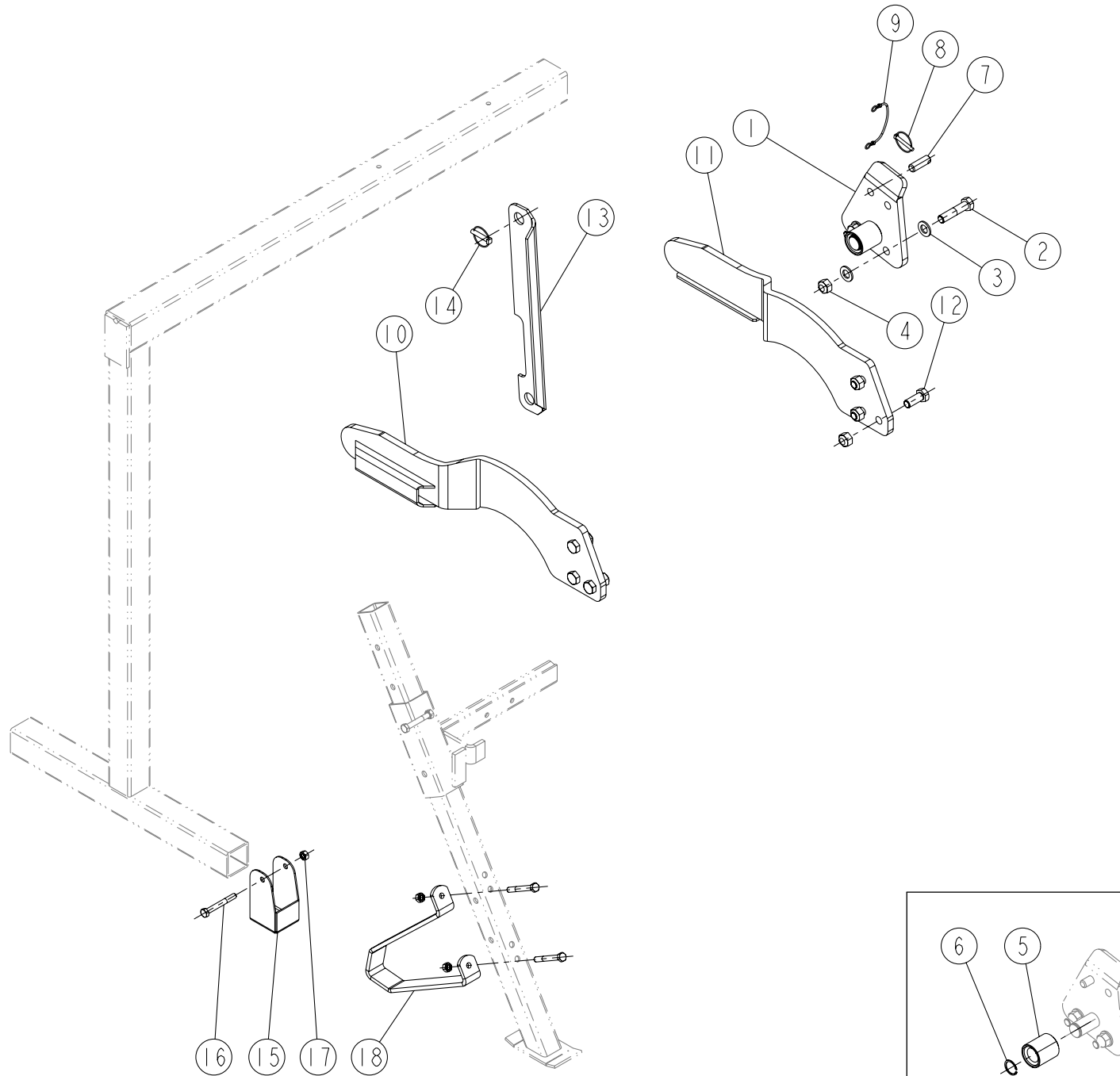


| REP | CODE | DÉSIGNATION |
|-----|--------|---------------------------------|
| 1 | 918083 | Attelage triangle so |
| 2 | 961004 | Verrou |
| 3 | 909025 | Ressort embrayage |
| 4 | 573166 | Rondelle m16 n zn 6 c fe |
| 5 | 593156 | Goupille v 3 2x30 zn 6 c fe |
| 6 | 980902 | Tirant 305 385 |
| 7 | 980905 | Tirant 355 490 |
| 8 | 980901 | Tirant 420 620 |
| 9 | 980900 | Tirant 565 860 |
| 10 | 921024 | Broche de tirant |
| 11 | 592201 | Goupille beta d3 zn 6 c fe |
| 12 | 921095 | Broche de parallelogramme |
| 13 | 574492 | Goup clips d10 zn 6 c fe s32 |
| 14 | 715010 | Lien noir s29150 ref 715010 |
| 15 | 552080 | Vis h 10x30 zn 6 c fe fp |
| 16 | 573109 | Rondelle m10 n zn 6 c fe |
| 17 | 571210 | Ecrou h10 zn 6 c fe |
| 18 | 918333 | Chape de bielle mp so |
| 19 | 552298 | Vis h 12x80 zn 6 c fe fp |
| 20 | 573762 | Rondelle w d12 zn 6 c fe |
| 21 | 952134 | Bielle d attelage 1 |
| 22 | 952135 | Bielle d attelage 2 |
| 23 | 952136 | Bielle d attelage 3 |
| 24 | 952137 | Bielle d attelage 4 |
| 25 | 925079 | Rondelle sup de bielle |
| 26 | 552730 | Vis h 16x80 zn 6 c fe fp |
| 27 | 571466 | Ecrou frein h16 zn 6 c fe |
| 28 | 923078 | Moyeu d25 |
| 29 | 923079 | Moyeu d27 |
| 30 | 923080 | Moyeu d30 |
| 31 | 923081 | Moyeu d32 |
| 32 | 925021 | Bague attelage 20 |
| 33 | 573170 | Rondelle m20 n zn 6 c fe |
| 34 | 553115 | Vis h 20x110 10 9 fp |
| 35 | 571220 | Ecrou h20 zn 6 c fe |
| 36 | 571320 | Ecrou hm 20 zn 6 c fe |
| 37 | 951312 | Platine breviglieri |
| 38 | 558470 | Vis h 14x70 inox a2 70 fp |
| 39 | 573164 | Rondelle m14 n zn 6 c fe |
| 40 | 571414 | Ecrou frein nylon h14 zn 6 c fe |
| 41 | 960016 | Chape amazone alt et ke |
| 42 | 552296 | Vis h 12x50 zn 6 c fe 8 8 fp |
| 43 | 573112 | Rondelle m12 n zn 6 c fe |
| 44 | 571462 | Ecrou frein h12 zn 6 c fe |
| 45 | 960087 | Chape renfort adapt rabewerk |
| 46 | 940144 | Tirant 3pt ers16 |
| 47 | 925074 | Entretroise 3pt |
| 48 | 918334 | Chape de triangle ers16 so |
| 49 | 923077 | Moyeu d22 |
| 50 | 553140 | Vis h 20x140 10 9 fp |



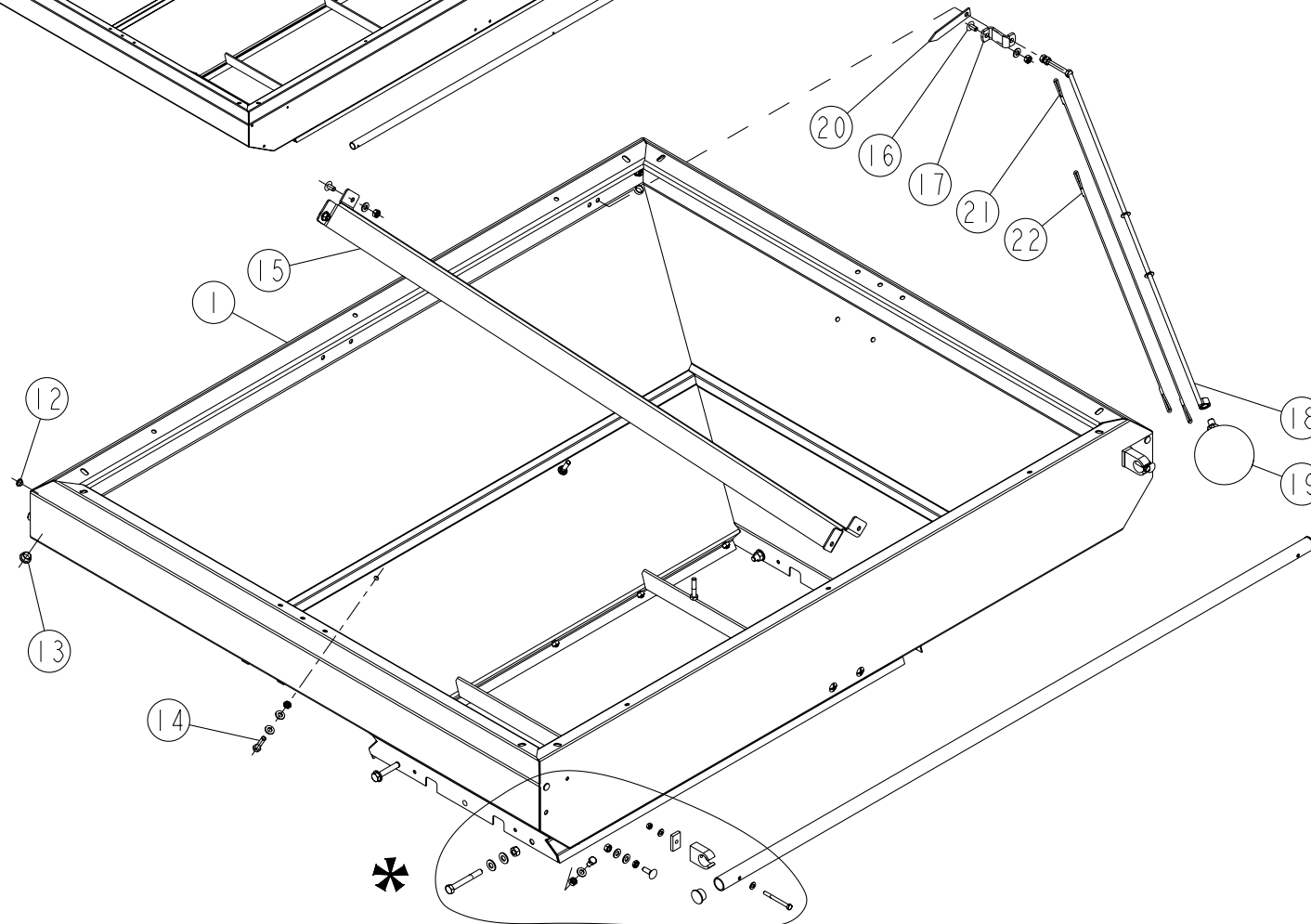
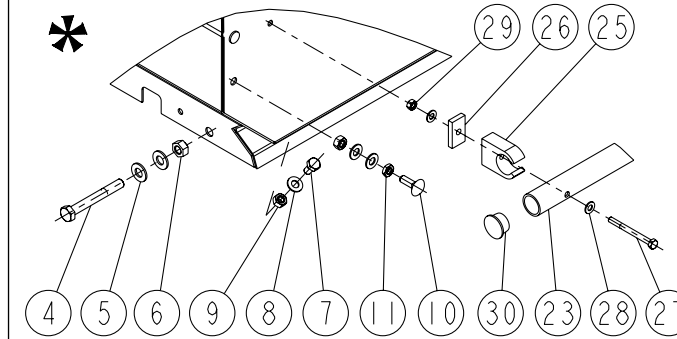
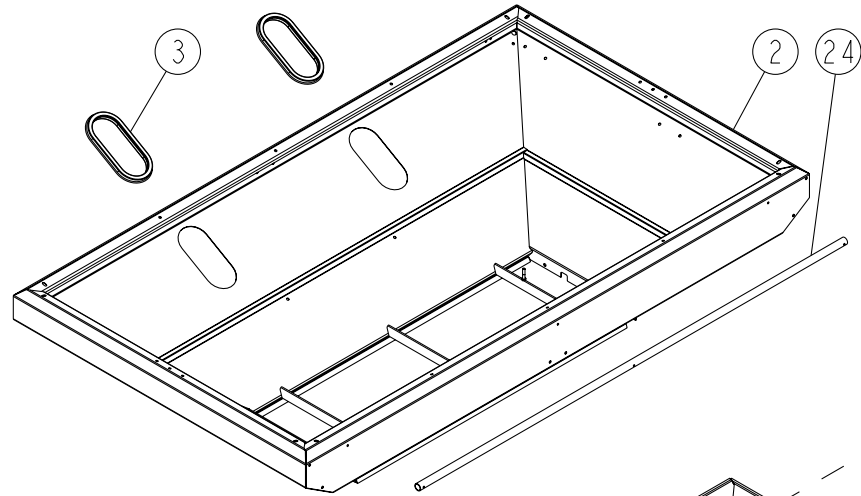
| REP | CODE | DÉSIGNATION |
|-----|--------|----------------------------|
| 1 | 940159 | Support d appui packer |
| 2 | 940166 | Support d appui packer 460 |
| 3 | 552720 | Vis h 16x70 zn 6 c fe fp |
| 4 | 573166 | Rondelle m16 n zn 6 c fe |
| 5 | 571466 | Ecrou frein h16 zn 6 c fe |
| 6 | 962145 | Verrouillage mp |
| 7 | 552690 | Vis h 16x40 zn 6 c fe fp |
| 8 | 916194 | Bras d appui g so |
| 9 | 916195 | Bras d appui d so |
| 10 | 914151 | Galet d appui mo |
| 11 | 574230 | Circlips ext d30 |
| 12 | 953140 | Tirant de transport |
| 13 | 594308 | Clips desol d8 5 zn 6 c fe |
| 14 | 955107 | Cale de bequille |
| 15 | 552130 | Vis h 10x80 zn 6 c fe fp |
| 16 | 571210 | Ecrou h10 zn 6 c fe |
| 17 | 954042 | Appui de bequille |





| REP | CODE | DÉSIGNATION |
|-----|--------|---------------------------------|
| 1 | 914179 | Sup galet rayonneur so |
| 2 | 552720 | Vis h 16x70 zn 6 c fe fp |
| 3 | 573166 | Rondelle m16 n zn 6 c fe |
| 4 | 571416 | Ecrou frein nylon h16 zn 6 c fe |
| 5 | 914151 | Galet d appui mo |
| 6 | 574230 | Circlips ext d30 |
| 7 | 927040 | Butee sup roul rayonneur |
| 8 | 594306 | Goup d6 clips zn 6 c fe s37 |
| 9 | 715010 | Lien noir s29150 ref 715010 |
| 10 | 918392 | Bras appui g r rayon so |
| 11 | 918393 | Bras appui d r rayon so |
| 12 | 552690 | Vis h 16x40 zn 6 c fe fp |
| 13 | 953140 | Tirant de transport |
| 14 | 594308 | Clips desol d8 5 zn 6 c fe |
| 15 | 955107 | Cale de bequille |
| 16 | 552130 | Vis h 10x80 zn 6 c fe fp |
| 17 | 571210 | Ecrou h10 zn 6 c fe |
| 18 | 954042 | Appui de bequille |

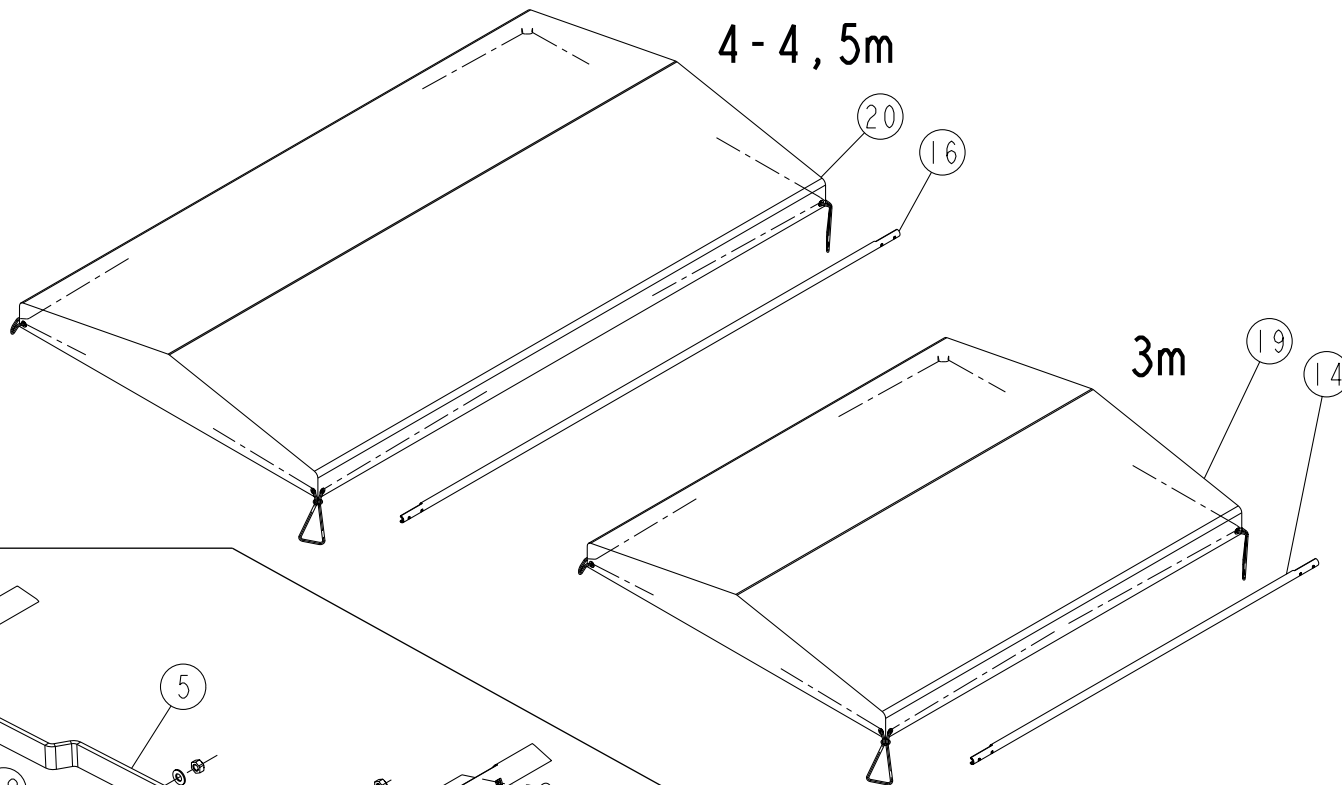
RS



| REP | CODE | DÉSIGNATION |
|-----|--------|---------------------------------|
| 1 | 919140 | Tremie mp so |
| 2 | 919154 | Tremie mp 4m so |
| 3 | 908381 | Hublot avec joint |
| 4 | 552130 | Vis h 10x80 zn 6 c fe fp |
| 5 | 573109 | Rondelle m10 n zn 6 c fe |
| 6 | 571460 | Ecrou frein nylon h10 zn 6 c fe |
| 7 | 551865 | Vis h 8x15 zn 6 c fe fst |
| 8 | 573158 | Rondelle m8 n zn 6 c fe |
| 9 | 571208 | Ecrou h8 zn 6 c fe |
| 10 | 558925 | Vis trcc 8x25 inox a2 70 |
| 11 | 571278 | Ecrou hm 8 inox a2 70 |
| 12 | 415716 | Bouchon d9 gpn 300 f041 nat |
| 13 | 415715 | Bouchon d16 gpn 300 f15 nat |
| 14 | 551885 | Vis h 8x35 zn 6 c fe fp |
| 15 | 952130 | Entretoise sup de tremie mp |
| 16 | 535853 | Vis trl 8x16 zn 6 c fe |
| 17 | 924026 | Palier indicateur niveau |
| 18 | 916155 | Indicateur de niveau mp so |
| 19 | 799050 | Boule niveau |
| 20 | 909111 | Indicateur de position |
| 21 | 987804 | Cordelette de niveau sp |
| 22 | 987801 | Cordelette de niveau ct |
| 23 | 962106 | Main courante pack 3m |
| 24 | 951092 | Rampe d appui |
| 25 | 794006 | Collier cobra diam 25 |
| 26 | 952100 | Entretoise de rampe |
| 27 | 551695 | Vis h 6x65 zn 6 c fe fp |
| 28 | 573107 | Rondelle m6 n zn 6 c fe |
| 29 | 571206 | Ecrou h6 zn 6 c fe |
| 30 | 415730 | Bouchon d23 sr1500 11780 |

B1-00

RS

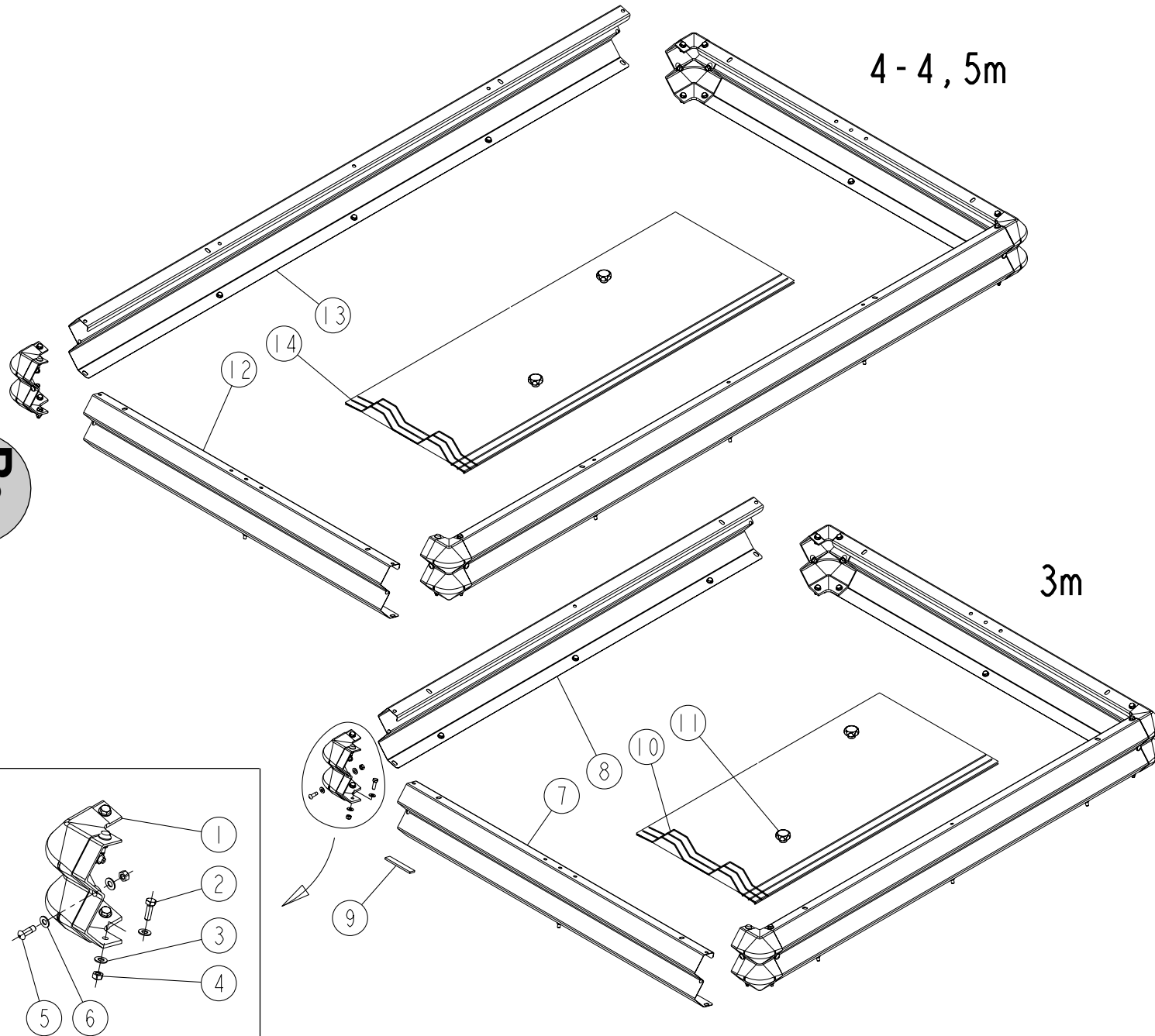


B2-00

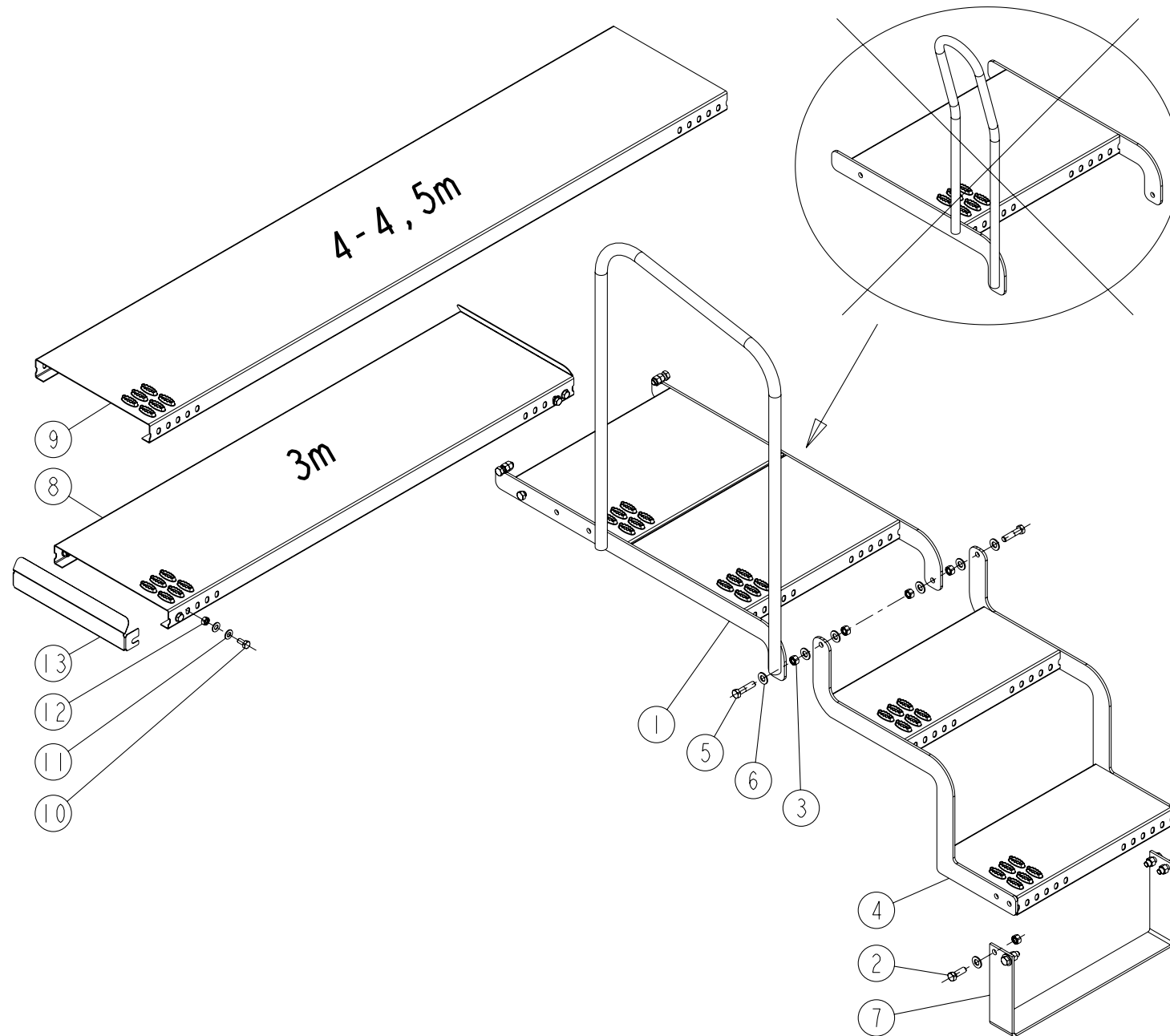
| REP | CODE | DÉSIGNATION |
|-----|--------|---------------------------------|
| 1 | 967107 | Equerre bache drx |
| 2 | 551870 | Vis h 8x20 zn 6 c fe 8 8 fst |
| 3 | 573158 | Rondelle m8 n zn 6 c fe |
| 4 | 571208 | Ecrou h8 zn 6 c fe |
| 5 | 942052 | Bras bache drx |
| 6 | 942058 | Bras avant bache lx dx |
| 7 | 558835 | Vis h 8x35 inox a2 70 fp |
| 8 | 573808 | Rondelle m8 n inox a2 70 |
| 9 | 573008 | Rondelle nylon pa66 8 |
| 10 | 571408 | Ecrou frein nylon h8 inox a2 70 |
| 11 | 942059 | Bras central lx dx |
| 12 | 558925 | Vis trcc 8x25 inox a2 70 |
| 13 | 942057 | Bielle bache lx dx |
| 14 | 940128 | Tube de bache mp |
| 15 | 558930 | Vis trcc 8x30 inox a2 70 |
| 16 | 940106 | Tube bache dx |
| 17 | 987719 | Amortisseur bache lx dx |
| 18 | 573358 | Rondelle I18 n inox a2 70 |
| 19 | 987618 | Bache mp |
| 20 | 987622 | Bache mp4 |

RS

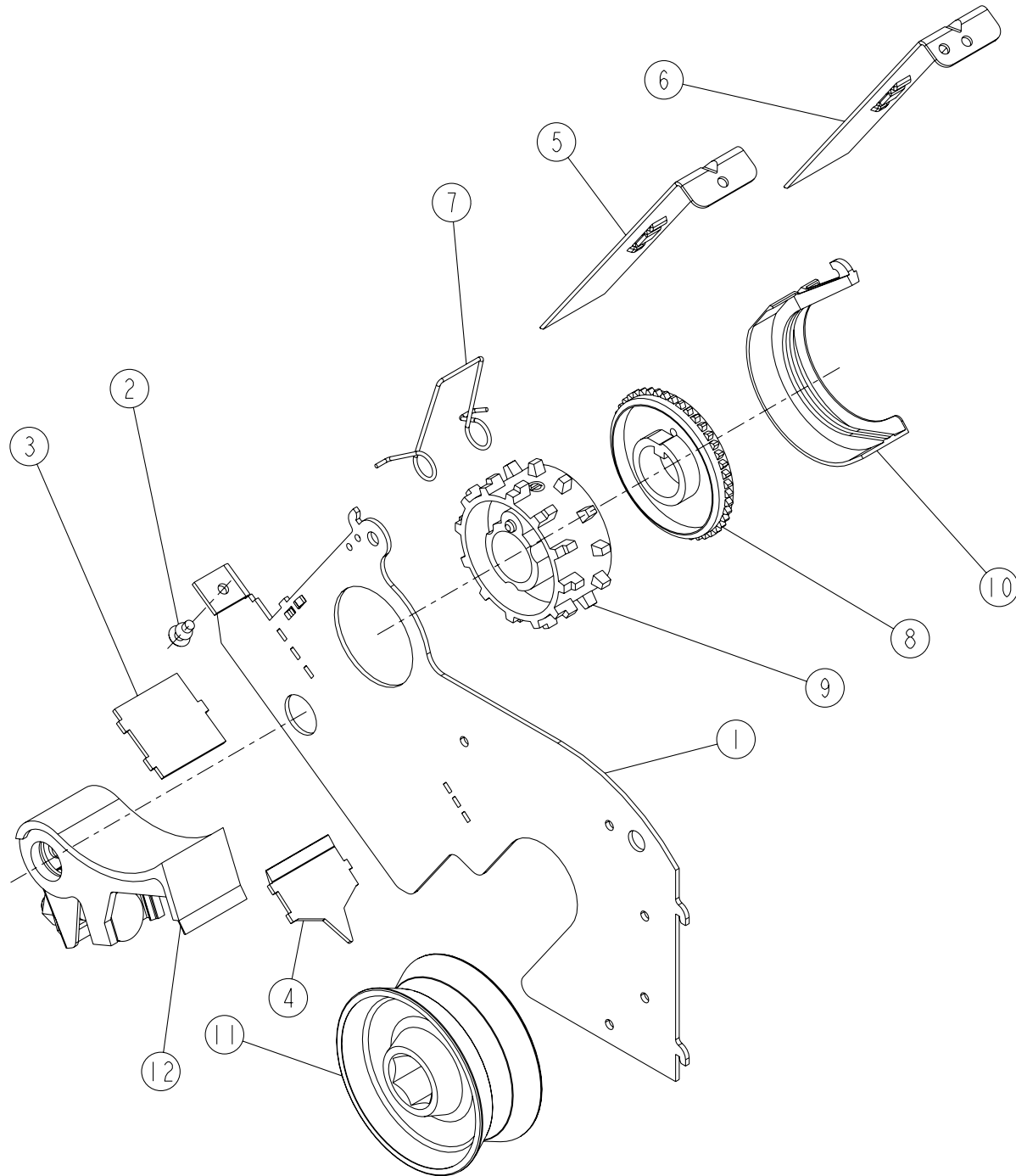
B3-00



| REP | CODE | DÉSIGNATION |
|-----|--------|-----------------------------|
| 1 | 973045 | Coin rehausse double |
| 2 | 551875 | Vis h 8x25 zn 6 c fe fp |
| 3 | 573158 | Rondelle m8 n zn 6 c fe |
| 4 | 571458 | Ecrou frein h8 zn 6 c fe |
| 5 | 555825 | Vis bhc 8x25 inox a2 70 |
| 6 | 573008 | Rondelle nylon pa66 8 |
| 7 | 970142 | Rehausse2larg lx dx |
| 8 | 970162 | Rehausse2long mp |
| 9 | 794021 | Bande adhesive 1 face au m |
| 10 | 980521 | Tamis mp |
| 11 | 911003 | Poignee de cmde hm8 inox as |
| 12 | 970142 | Rehausse2larg lx dx |
| 13 | 970141 | Rehausse2long dx |
| 14 | 980524 | Tamis mp4 |



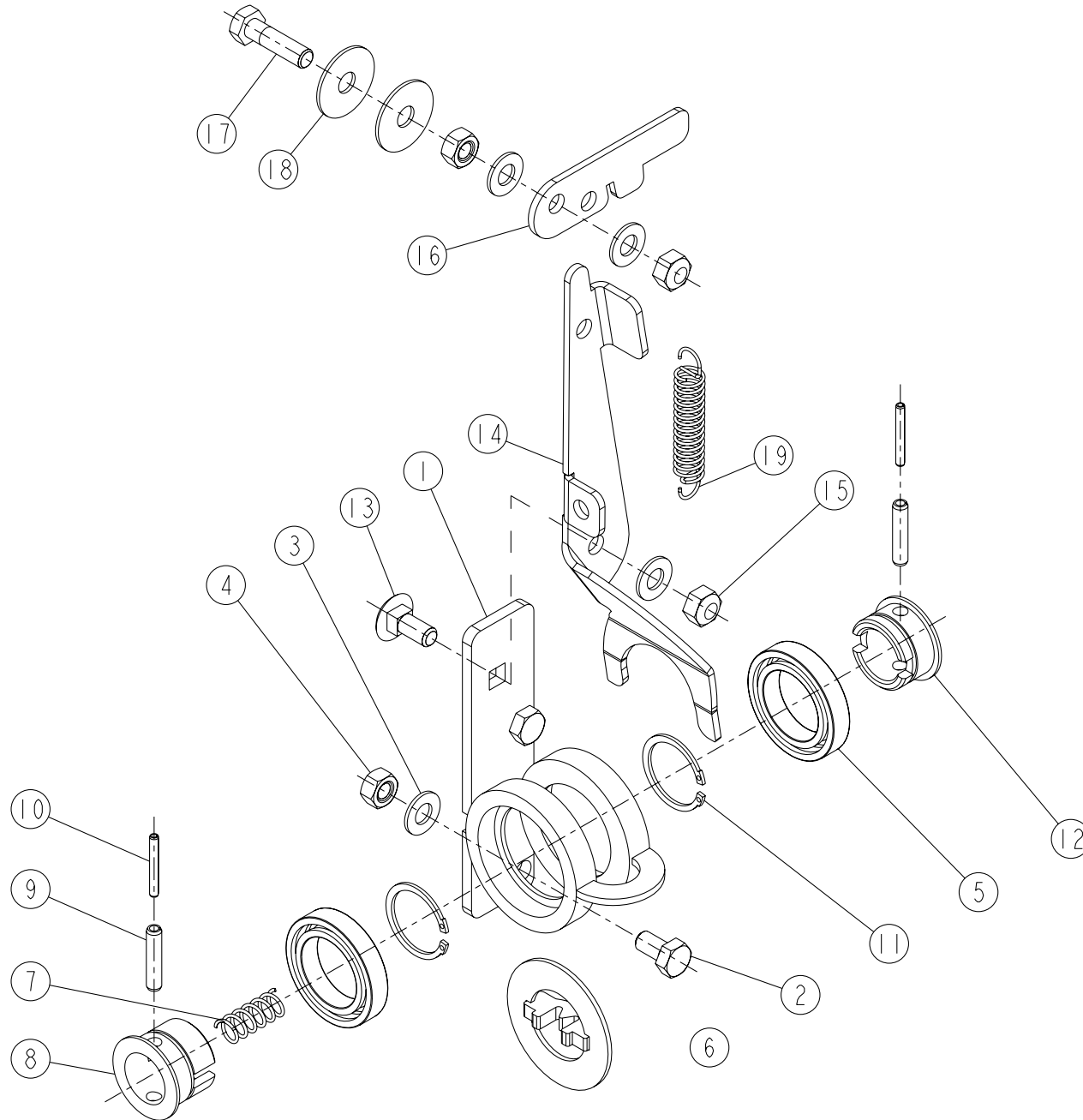
| REP | CODE | DÉSIGNATION |
|-----|--------|------------------------------|
| 1 | 918360 | Marche supérieure 3rgs so |
| 2 | 552285 | Vis h 12x35 zn 6 c fe fst |
| 3 | 571212 | Ecrou h12 zn 6 c fe |
| 4 | 918250 | Marches d accès so |
| 5 | 552296 | Vis h 12x50 zn 6 c fe 8 8 fp |
| 6 | 573112 | Rondelle m12 n zn 6 c fe |
| 7 | 963156 | Semelle d escalier |
| 8 | 980520 | Passerelle mp |
| 9 | 980513 | Passerelle ct 4m |
| 10 | 552070 | Vis h 10x20 zn 6 c fe |
| 11 | 573109 | Rondelle m10 n zn 6 c fe |
| 12 | 571210 | Ecrou h10 zn 6 c fe |
| 13 | 973055 | Flasque tuyau spi2 |



| REP | CODE | DÉSIGNATION |
|-----|--------|------------------------|
| 1 | 971008 | Boitier standard |
| 2 | 598041 | Rivet aveugle 4x10 alu |
| 3 | 965056 | Entretoise sp |
| 4 | 975021 | Goulotte sp ps |
| 5 | 907381 | Trappe de distribution |
| 6 | 966020 | Trappe de demi semoir |
| 7 | 981404 | Ressort de trappe sp |
| 8 | 901537 | Roue fine |
| 9 | 911019 | Roue a ergots as |
| 10 | 985210 | Obturateur sp |
| 11 | 985014 | Regulateur spi |
| 12 | 911021 | Clapet de fond as |

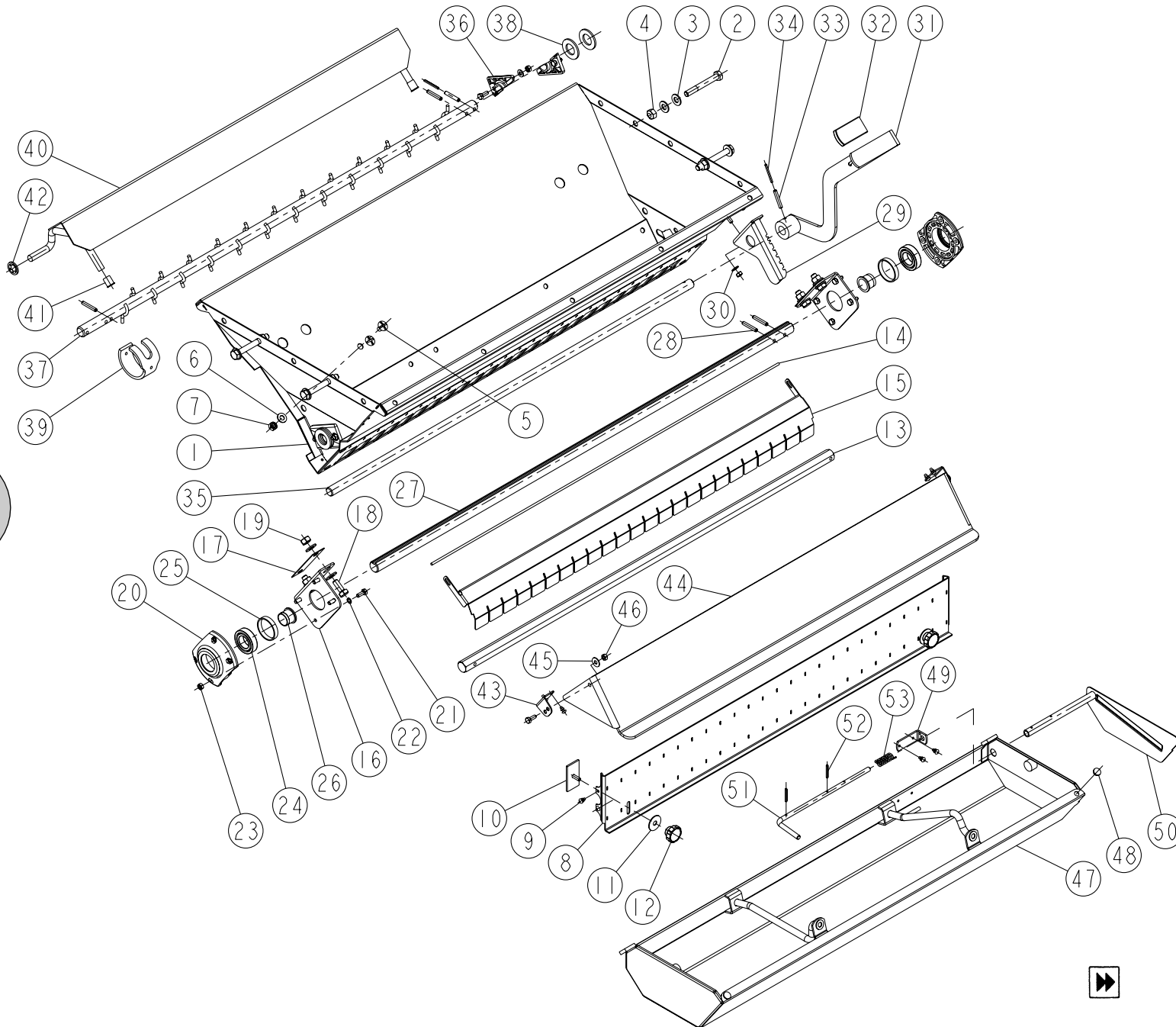
C1-00



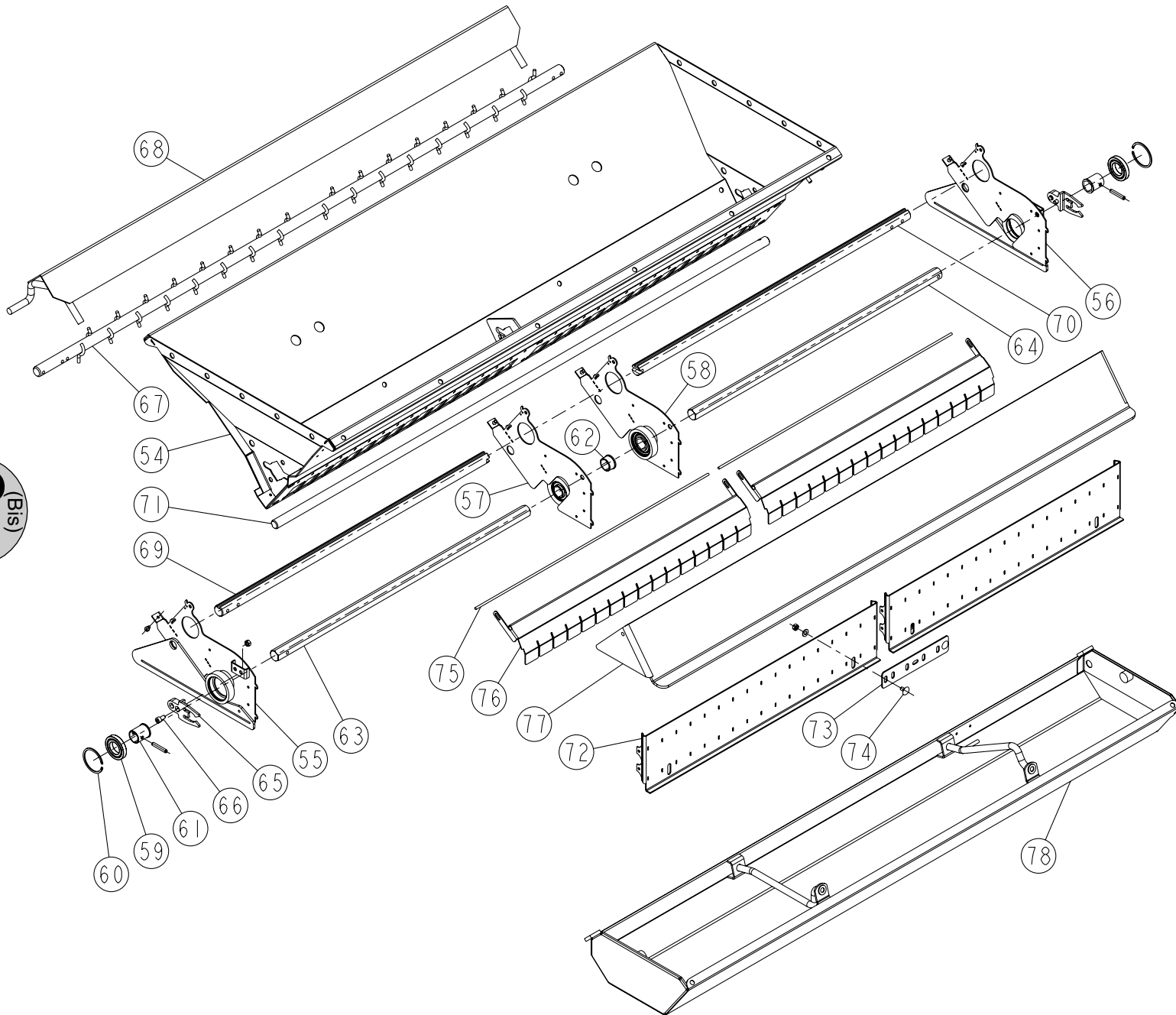


| REP | CODE | DÉSIGNATION |
|-----|--------|------------------------------|
| 1 | 914146 | Support palier so spi2 |
| 2 | 551865 | Vis h 8x15 zn 6 c fe fst |
| 3 | 573158 | Rondelle m8 n zn 6 c fe |
| 4 | 571208 | Ecrou h8 zn 6 c fe |
| 5 | 711015 | Roulement 61906 2rs1 30x47x9 |
| 6 | 916193 | Plat entrainement so |
| 7 | 981203 | Ressort debrayage spi2 |
| 8 | 931058 | Entretoise receptrer spi2 |
| 9 | 590306 | Goup elastic 6x28 serie ep |
| 10 | 590106 | Goup elastic 3 5x28 serie ep |
| 11 | 574230 | Circlips ext d30 |
| 12 | 931057 | Entretoise moteur spi2 |
| 13 | 525854 | Vis trcc 8x20 zn 6 c fe |
| 14 | 944003 | Flasque debrayage |
| 15 | 571458 | Ecrou frein h8 zn 6 c fe |
| 16 | 963184 | Cran debrayage |
| 17 | 558830 | Vis h 8x30 inox a2 70 fp |
| 18 | 573258 | Rondelle l18 n zn 6 c fe |
| 19 | 909085 | Ressort de traceur d12 |

C1-00
(Bis)



| REP | CODE | DÉSIGNATION |
|-----|---------|---------------------------------|
| 1 | 1091581 | Fond de tremie 24rgs so |
| 2 | 552130 | Vis h 10x80 zn 6 c fe fp |
| 3 | 573109 | Rondelle m10 n zn 6 c fe |
| 4 | 571460 | Ecrou frein nylon h10 zn 6 c fe |
| 5 | 535853 | Vis trl 8x16 zn 6 c fe |
| 6 | 573158 | Rondelle m8 n zn 6 c fe |
| 7 | 571208 | Ecrou h8 zn 6 c fe |
| 8 | 997242 | Tole de fermeture 24 dist |
| 9 | 598041 | Rivet aveugle 4x10 alu |
| 10 | 1191051 | Verrou d entonnoir so |
| 11 | 573258 | Rondelle l8 n zn 6 c fe |
| 12 | 911001 | Poignee de cmde h6 inox as |
| 13 | 922123 | Arbre regulateur rs3m |
| 14 | 993146 | Axe de fixation ressort 24 dist |
| 15 | 972126 | Cache distribution rs3m |
| 16 | 951232 | Equerre palier ergot ps |
| 17 | 952146 | Cale de palier mp |
| 18 | 552076 | Vis h 10x25 zn 6 c fe fst |
| 19 | 571210 | Ecrou h10 zn 6 c fe |
| 20 | 985035 | Palier d arbre ergot |
| 21 | 551666 | Vis h 6x16 zn 6 c fe 8 8 fst |
| 22 | 573356 | Rond even dec az m6 zn 6cfe |
| 23 | 571206 | Ecrou h6 zn 6 c fe |
| 24 | 711008 | Roulement 6005 2rs1 25x47x12 |
| 25 | 925081 | Cale de palier |
| 26 | 931038 | Palier court ergot |
| 27 | 922105 | Arbre d ergot mp |
| 28 | 589307 | Goup elastic 6x35 inox |
| 29 | 989003 | Secteur de clapet sp |
| 30 | 573107 | Rondelle m6 n zn 6 c fe |
| 31 | 918144 | Levier de sabot sp so |
| 32 | 415750 | Poignee k 28x5x60 noir |
| 33 | 590307 | Goup elastic 6x35 serie ep |
| 34 | 590108 | Goup elastic 3 5x36 serie ep |
| 35 | 993214 | Arbre de sabots 24 dist |
| 36 | 924035 | Demi palier agitateur |
| 37 | 914123 | Agitateur mp so |
| 38 | 573170 | Rondelle m20 n zn 6 c fe |
| 39 | 987718 | Agitateur raygrass semoir |
| 40 | 1091579 | Toit anti-tassement 24 dist so |
| 41 | 415731 | Bouchon d12 sr1024 12760 |
| 42 | 573612 | Rond griffes d12 z5p |
| 43 | 964126 | Articulation couvercle |
| 44 | 985044 | Couvercle transparent rs3m |
| 45 | 573206 | Rondelle l6 n zn 6 c fe |
| 46 | 571406 | Ecrou frein nylon h6 zn 6 c fe |
| 47 | 919164 | Auget rs3m so |
| 48 | 415716 | Bouchon d9 gpn 300 f041 nat |
| 49 | 961011 | Palier de trappe d auget ct |
| 50 | 919112 | Trappe d auget ct so |
| 51 | 942040 | Levier de trappe ct |
| 52 | 590106 | Goup elastic 3 5x28 serie ep |
| 53 | 981010 | Ressort de trappe |

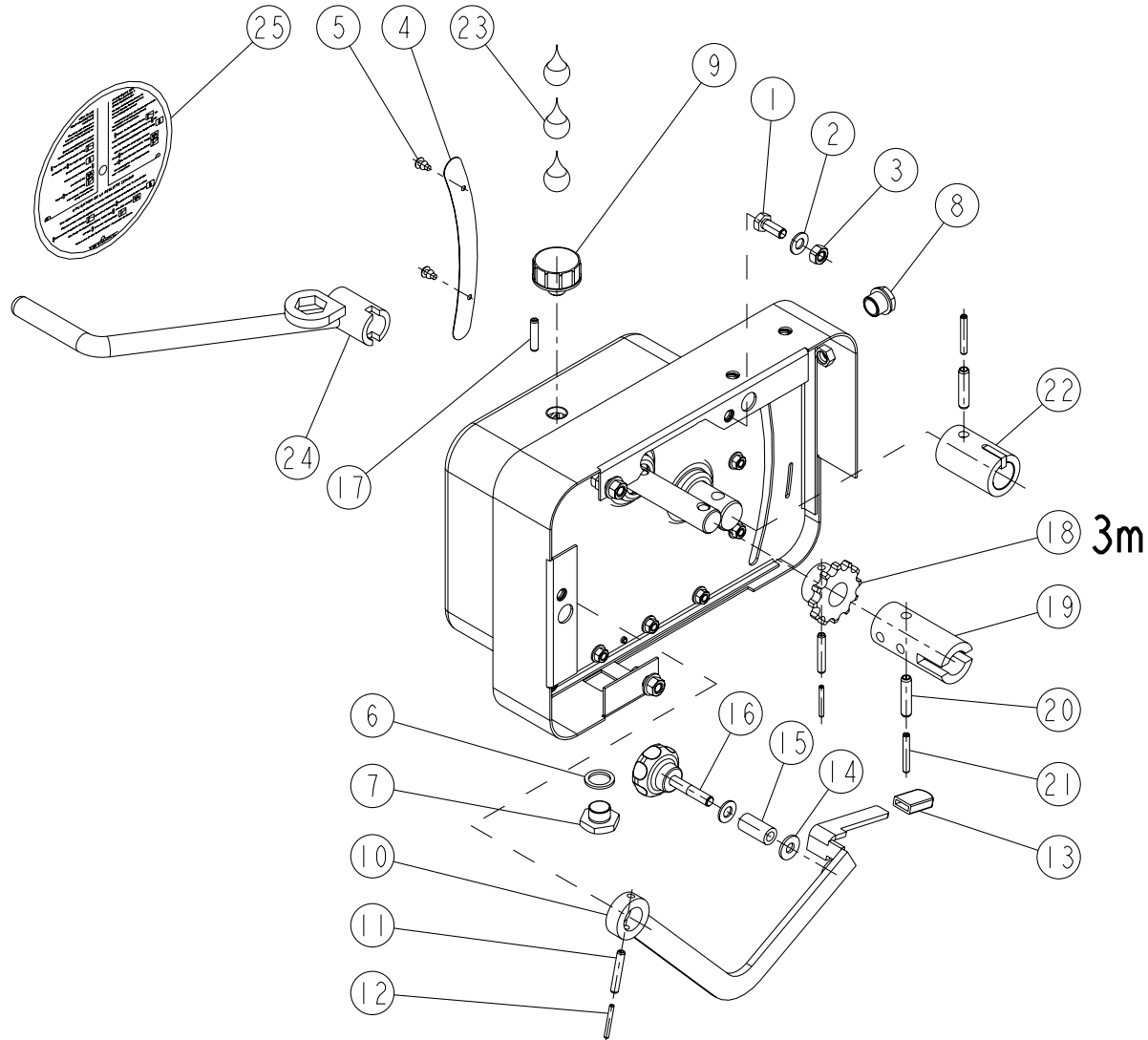


C2-00
(Bis)

| REP | CODE | DÉSIGNATION |
|-----|---------|--------------------------------|
| 54 | 919168 | Fond de tremie 32rgs so |
| 55 | 914147 | Boitier ext spi2 g so |
| 56 | 914148 | Boitier ext spi2 d so |
| 57 | 914150 | Boitier spi2 d so |
| 58 | 914149 | Boitier spi2 g so |
| 59 | 711017 | Roulement 16005 2rs1 25x47x8 |
| 60 | 574251 | Circlips int d47 |
| 61 | 931056 | Palier long regul spi2 |
| 62 | 931031 | Palier court regulateur |
| 63 | 922118 | Arbre regulateur g spi2 |
| 64 | 922119 | Arbre regulateur d spi2 |
| 65 | 906017 | Pince cylindrique |
| 66 | 553612 | Vis chc 6x12 zn 6 c fe fst |
| 67 | 914132 | Agitateur mp4 so |
| 68 | 1191508 | Toit anti-tassement 32 dist so |
| 69 | 922116 | Arbre ergot g spi2 |
| 70 | 922117 | Arbre ergot d spi2 |
| 71 | 964110 | Arbre de sabots mp4 |
| 72 | 997240 | Tole de fermeture 16 dist |
| 73 | 966021 | Tole liaison boitier |
| 74 | 525652 | Vis trcc 6x12 zn 6 c fe |
| 75 | 920032 | Axe de fixation ressort mp4 |
| 76 | 972124 | Cache distribution spi2 |
| 77 | 985043 | Couvercle transparent |
| 78 | 919161 | Auget spi2 so |

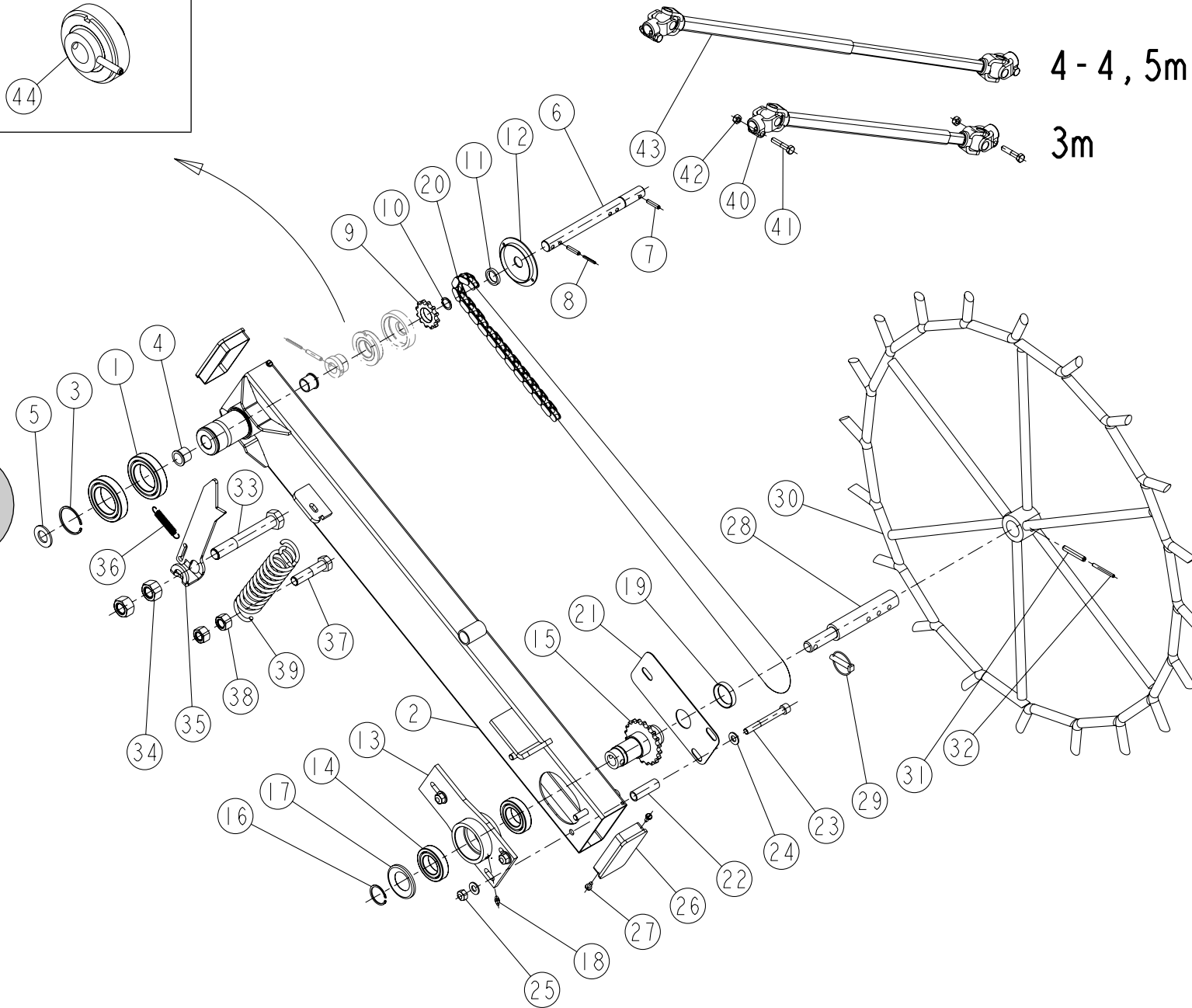
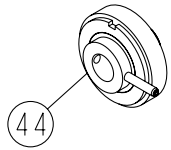


Ne pas démonter les pièces internes du variateur.
Do not dismount the variator's internal parts.
Die werkseilig eingebauten,
inneren teile dürfen nicht abmontiert werden.



| REP | CODE | DÉSIGNATION |
|-----|--------|-------------------------------|
| 1 | 551870 | Vis h 8x20 zn 6 c fe 8 8 fst |
| 2 | 573158 | Rondelle m8 n zn 6 c fe |
| 3 | 571208 | Ecrou h8 zn 6 c fe |
| 4 | 989002 | Vernier d de variateur |
| 5 | 598041 | Rivet aveugle 4x10 alu |
| 6 | 737003 | Joint cuivre ferme 17x23x2 |
| 7 | 984008 | Bouchon de vidange 3 8 gaz |
| 8 | 795070 | Temoin d huile 3 8 gaz |
| 9 | 795060 | Reniflard 3 8 gaz variateur |
| 10 | 915012 | Levier de variateur d so |
| 11 | 590307 | Goup elastic 6x35 serie ep |
| 12 | 590106 | Goup elastic 3 5x28 serie ep |
| 13 | 415749 | Poignee k 14x4x25 noir |
| 14 | 573260 | Rondelle polyamide 8x20x2 |
| 15 | 925027 | Cale de levier |
| 16 | 911006 | Poignee de cmde h8x45 inox as |
| 17 | 590306 | Goup elastic 6x28 serie ep |
| 18 | 993116 | Pignon pas 12 7 12 dts |
| 19 | 925042 | Accouplement agitateur |
| 20 | 590407 | Goup elastic 8x35 serie ep |
| 21 | 590207 | Goup elastic 5x35 serie ep |
| 22 | 915139 | Noix de distribution mp so |
| 23 | 480002 | Huile fluide atx 1 litre |
| 24 | 916148 | Manivelle 2 |
| 25 | 989017 | Reglette debit semoir |

RS

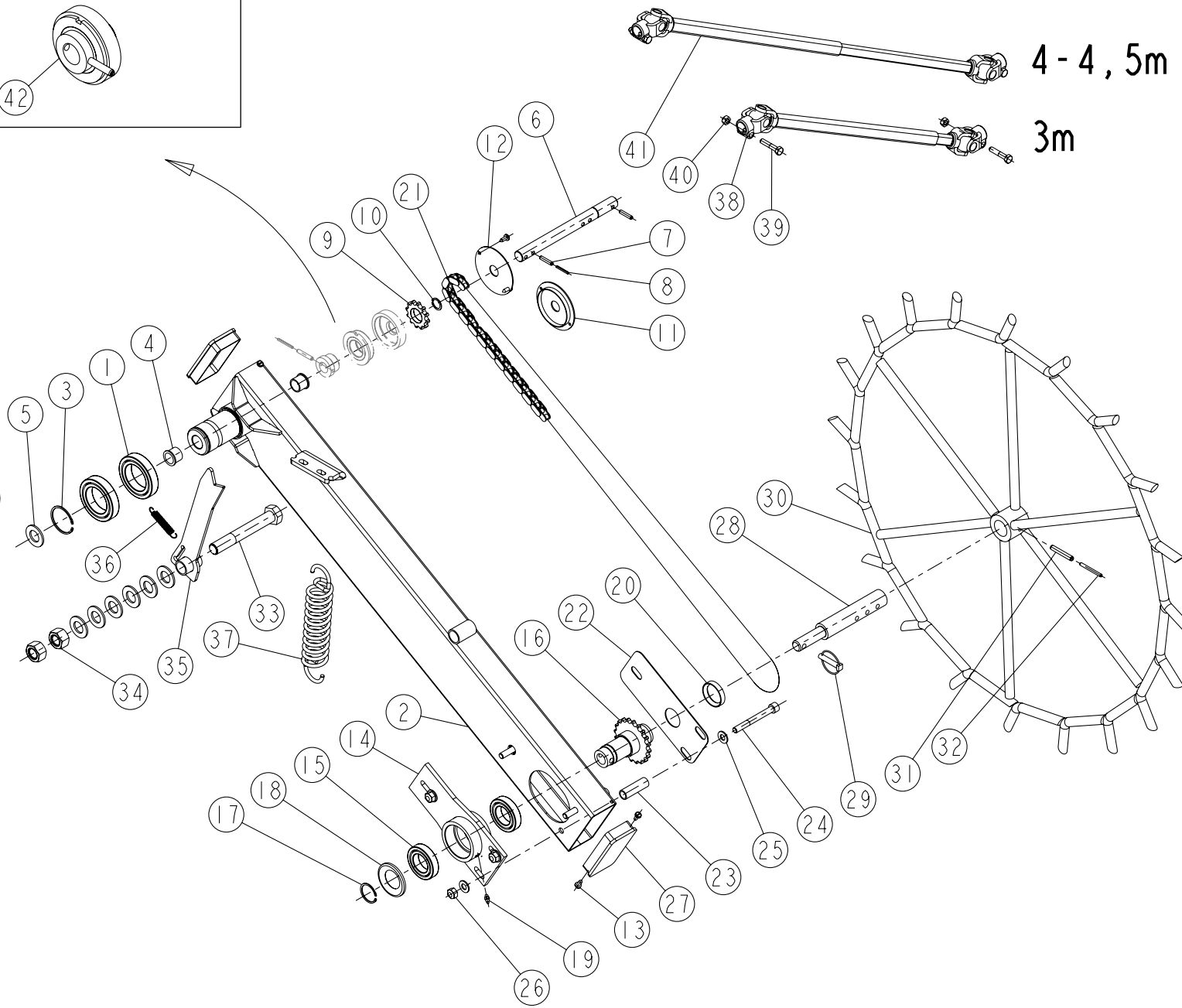
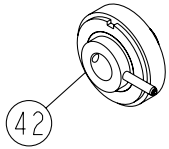


4 - 4, 5m

3m

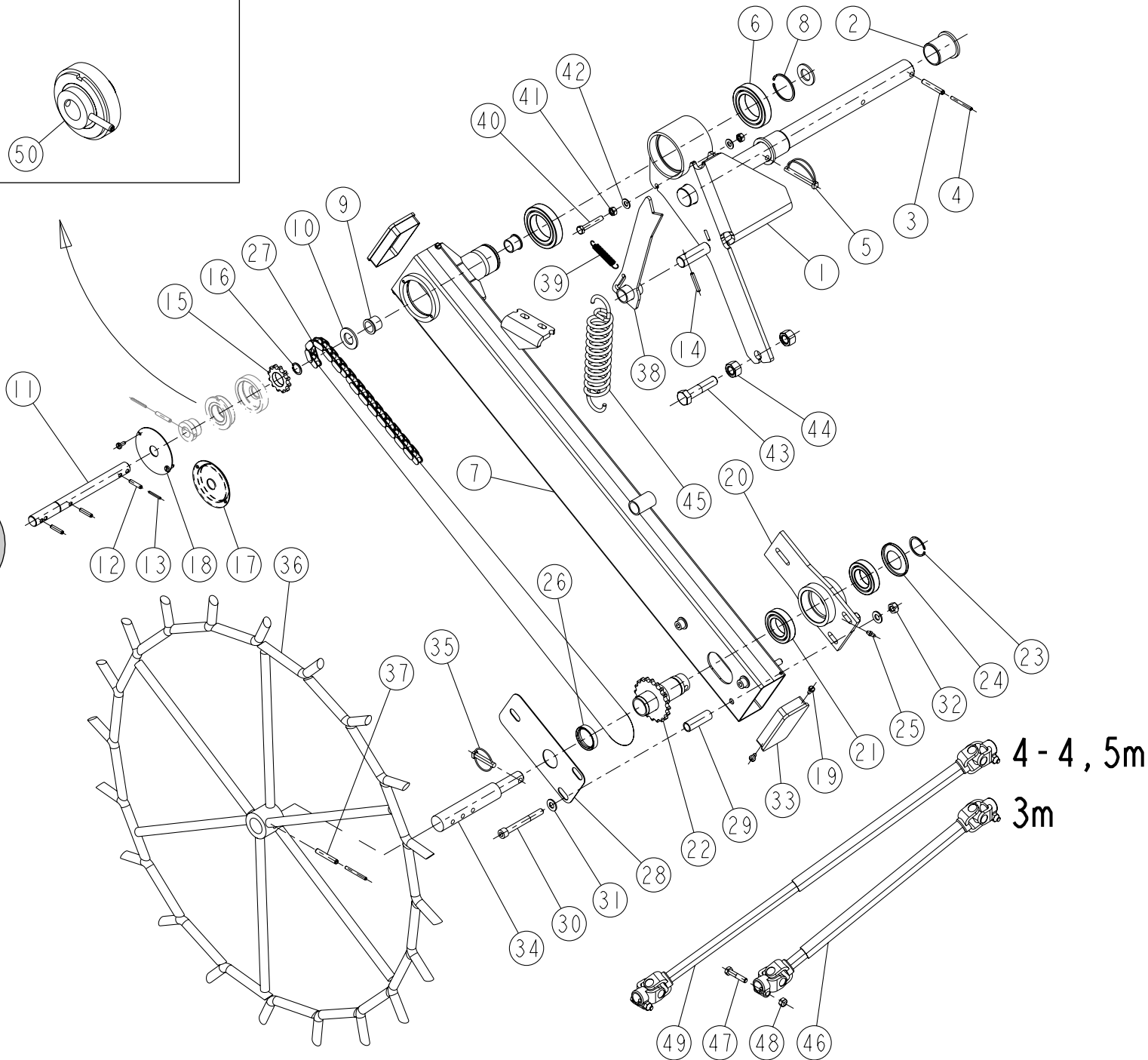
D2-00

| REP | CODE | DÉSIGNATION |
|-----|--------|---------------------------------|
| 1 | 711007 | Roulement 6010 1rs1 50x80x16 |
| 2 | 915141 | Bras de roue d mp so |
| 3 | 574248 | Circlips ext d50 |
| 4 | 752202 | Bague calcar bp 25c 20x24x20 |
| 5 | 573170 | Rondelle m20 n zn 6 c fe |
| 6 | 922107 | Axe mene mp |
| 7 | 590306 | Goup elastic 6x28 serie ep |
| 8 | 590106 | Goup elastic 3 5x28 serie ep |
| 9 | 980748 | Disque pas 12 7 12 dts |
| 10 | 574220 | Circlips ext d20 |
| 11 | 734001 | Joint v ring d20 |
| 12 | 974052 | Bouchon sup de bras roue |
| 13 | 914059 | Platine ar so |
| 14 | 711006 | Roulement 6007 rs1 35x62x14 |
| 15 | 914131 | Pignon menant mp so |
| 16 | 574235 | Circlips ext d35 |
| 17 | 750002 | Rond etancheite z007 |
| 18 | 719001 | Graisneur m6x100 droit |
| 19 | 734015 | Joint v ring d35 |
| 20 | 980612 | Chaine primaire mp |
| 21 | 974051 | Couvercle de bras mp |
| 22 | 923090 | Entretoise de bras mp |
| 23 | 554090 | Vis chc 10x90 zn 6 c fe 8 8 fp |
| 24 | 573109 | Rondelle m10 n zn 6 c fe |
| 25 | 571460 | Ecrou frein nylon h10 zn 6 c fe |
| 26 | 415727 | Bouchon 120x60 gpn 270 |
| 27 | 557612 | Vis cls c st5 5x16 zn 6 c fe |
| 28 | 930002 | Axe de roue |
| 29 | 594308 | Clips desol d8 5 zn 6 c fe |
| 30 | 916164 | Roue d entrainement 2 |
| 31 | 590410 | Goup elastic 8x50 serie ep |
| 32 | 590210 | Goup elastic 5x50 serie ep |
| 33 | 553140 | Vis h 20x140 10 9 fp |
| 34 | 571220 | Ecrou h20 zn 6 c fe |
| 35 | 962140 | Verrou relevage bras mp |
| 36 | 909085 | Ressort de traceur d12 |
| 37 | 552720 | Vis h 16x70 zn 6 c fe fp |
| 38 | 571216 | Ecrou h16 zn 6 c fe |
| 39 | 981100 | Ressort de dome |
| 40 | 980795 | Cardan bras de roue mp |
| 41 | 551890 | Vis h 8x40 zn 6 c fe fp |
| 42 | 571458 | Ecrou frein h8 zn 6 c fe |
| 43 | 980753 | Cardan bras de roue mp4 |
| 44 | 911023 | Roue libre bague court cloch as |



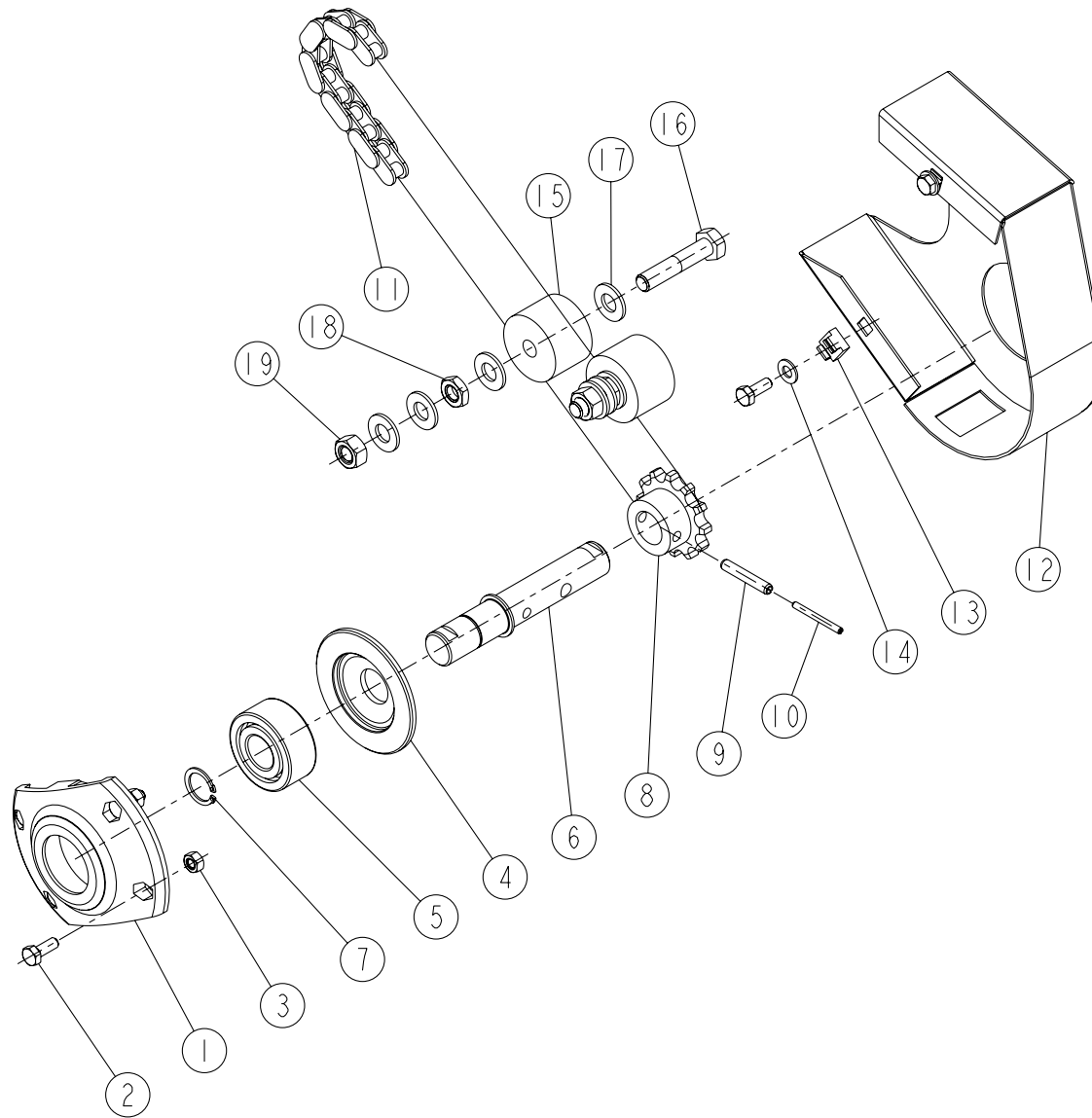
| REP | CODE | DÉSIGNATION |
|-----|--------|---------------------------------|
| 1 | 711007 | Roulement 6010 1rs1 50x80x16 |
| 2 | 915150 | Bras de roue d tc so |
| 3 | 574248 | Circlips ext d50 |
| 4 | 752202 | Bague calcar bp 25c 20x24x20 |
| 5 | 573170 | Rondelle m20 n zn 6 c fe |
| 6 | 922107 | Axe mene mp |
| 7 | 590306 | Goup elastic 6x28 serie ep |
| 8 | 590106 | Goup elastic 3 5x28 serie ep |
| 9 | 980748 | Disque pas 12 7 12 dts |
| 10 | 574220 | Circlips ext d20 |
| 11 | 974052 | Bouchon sup de bras roue |
| 12 | 925094 | Rondelle etancheite bras roue |
| 13 | 557612 | Vis cls c st5 5x16 zn 6 c fe |
| 14 | 914059 | Platine ar so |
| 15 | 711006 | Roulement 6007 rs1 35x62x14 |
| 16 | 914131 | Pignon menant mp so |
| 17 | 574235 | Circlips ext d35 |
| 18 | 750002 | Rond etancheite z007 |
| 19 | 719001 | Graisneur m6x100 droit |
| 20 | 734015 | Joint v ring d35 |
| 21 | 980612 | Chaine primaire mp |
| 22 | 974051 | Couvercle de bras mp |
| 23 | 923090 | Entretoise de bras mp |
| 24 | 554090 | Vis chc 10x90 zn 6 c fe 8 8 fp |
| 25 | 573109 | Rondelle m10 n zn 6 c fe |
| 26 | 571460 | Ecrou frein nylon h10 zn 6 c fe |
| 27 | 415727 | Bouchon 120x60 gpn 270 |
| 28 | 930002 | Axe de roue |
| 29 | 594308 | Clips desol d8 5 zn 6 c fe |
| 30 | 916164 | Roue d entrainement 2 |
| 31 | 590410 | Goup elastic 8x50 serie ep |
| 32 | 590210 | Goup elastic 5x50 serie ep |
| 33 | 553140 | Vis h 20x140 10 9 fp |
| 34 | 571220 | Ecrou h20 zn 6 c fe |
| 35 | 918367 | Verrou bras rs so |
| 36 | 909085 | Ressort de traceur d12 |
| 37 | 981100 | Ressort de dome |
| 38 | 980795 | Cardan bras de roue mp |
| 39 | 551890 | Vis h 8x40 zn 6 c fe fp |
| 40 | 571458 | Ecrou frein h8 zn 6 c fe |
| 41 | 980753 | Cardan bras de roue mp4 |
| 42 | 911023 | Roue libre bague court cloch as |

RS



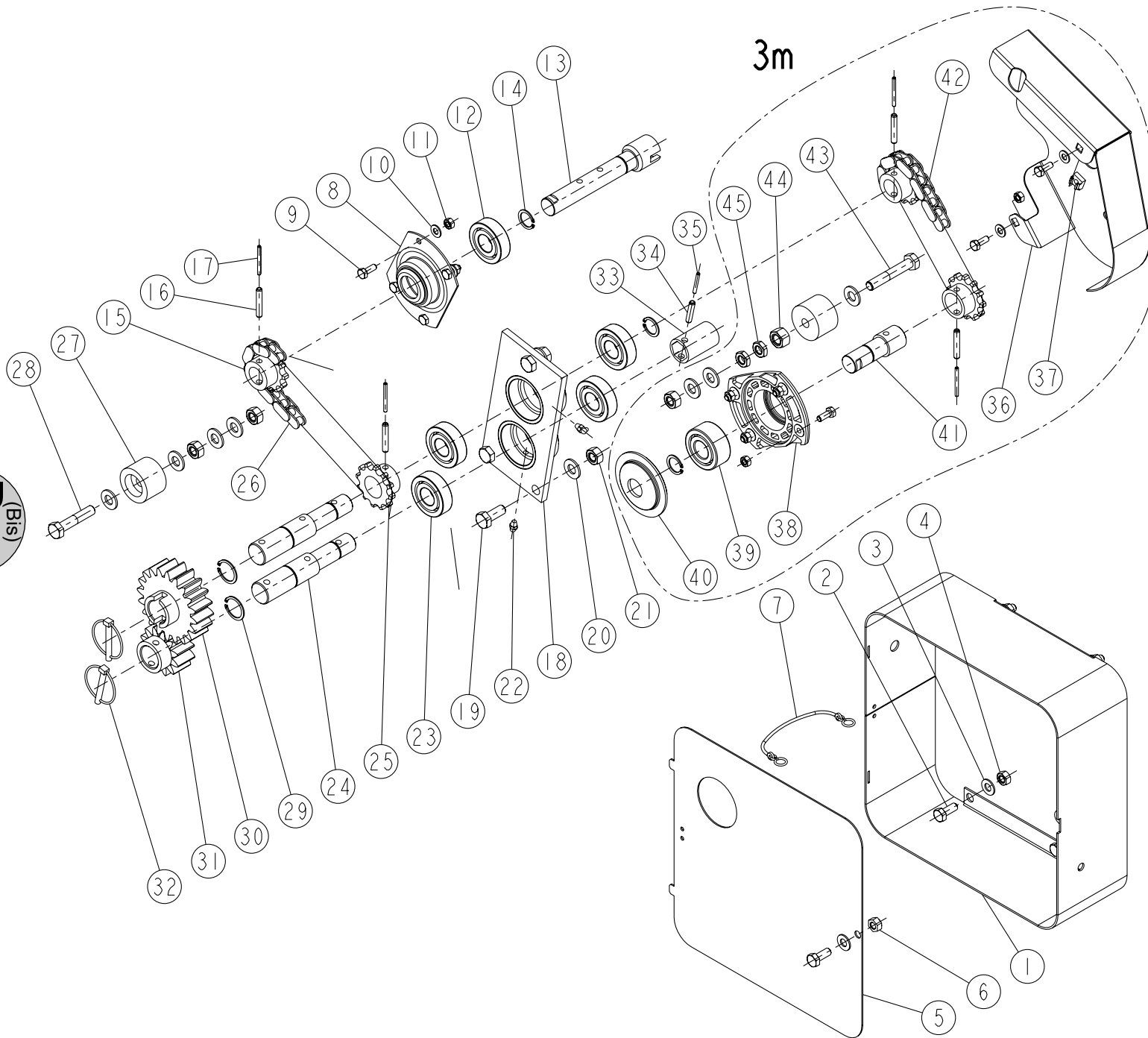
| REP | CODE | DÉSIGNATION |
|-----|--------|---------------------------------|
| 1 | 915144 | Bras de roue rs g so |
| 2 | 901271 | Bague de moyeu ma |
| 3 | 589410 | Goup elastic 8x50 inox |
| 4 | 590210 | Goup elastic 5x50 serie ep |
| 5 | 594610 | Goup secu d8 s288 zn 6 c fe |
| 6 | 711007 | Roulement 6010 1rs1 50x80x16 |
| 7 | 915149 | Bras de roue g tc so |
| 8 | 574248 | Circlips ext d50 |
| 9 | 752202 | Bague calcar bp 25c 20x24x20 |
| 10 | 573170 | Rondelle m20 n zn 6 c fe |
| 11 | 922121 | Axe mene rs g |
| 12 | 590306 | Goup elastic 6x28 serie ep |
| 13 | 590106 | Goup elastic 3 5x28 serie ep |
| 14 | 590307 | Goup elastic 6x35 serie ep |
| 15 | 980748 | Disque pas 12 7 12 dts |
| 16 | 574220 | Circlips ext d20 |
| 17 | 974052 | Bouchon sup de bras roue |
| 18 | 925094 | Rondelle etancheite bras roue |
| 19 | 557612 | Vis cls c st5 5x16 zn 6 c fe |
| 20 | 914059 | Platine ar so |
| 21 | 711006 | Roulement 6007 rs1 35x62x14 |
| 22 | 914131 | Pignon menant mp so |
| 23 | 574235 | Circlips ext d35 |
| 24 | 750002 | Rond etancheite z007 |
| 25 | 719001 | Graisneur m6x100 droit |
| 26 | 734015 | Joint v ring d35 |
| 27 | 980612 | Chaine primaire mp |
| 28 | 974051 | Couvercle de bras mp |
| 29 | 923090 | Entretoise de bras mp |
| 30 | 554090 | Vis chc 10x90 zn 6 c fe 8 8 fp |
| 31 | 573109 | Rondelle m10 n zn 6 c fe |
| 32 | 571460 | Ecrou frein nylon h10 zn 6 c fe |
| 33 | 415727 | Bouchon 120x60 gpn 270 |
| 34 | 930002 | Axe de roue |
| 35 | 594308 | Clips desol d8 5 zn 6 c fe |
| 36 | 916164 | Roue d entrainement 2 |
| 37 | 590410 | Goup elastic 8x50 serie ep |
| 38 | 918367 | Verrou bras rs so |
| 39 | 909085 | Ressort de traceur d12 |
| 40 | 551900 | Vis h 8x50 zn 6 c fe fst |
| 41 | 571208 | Ecrou h8 zn 6 c fe |
| 42 | 573158 | Rondelle m8 n zn 6 c fe |
| 43 | 552720 | Vis h 16x70 zn 6 c fe fp |
| 44 | 571216 | Ecrou h16 zn 6 c fe |
| 45 | 981100 | Ressort de dome |
| 46 | 980795 | Cardan bras de roue mp |
| 47 | 551890 | Vis h 8x40 zn 6 c fe fp |
| 48 | 571458 | Ecrou frein h8 zn 6 c fe |
| 49 | 980753 | Cardan bras de roue mp4 |
| 50 | 911023 | Roue libre bague court cloch as |

D3-00

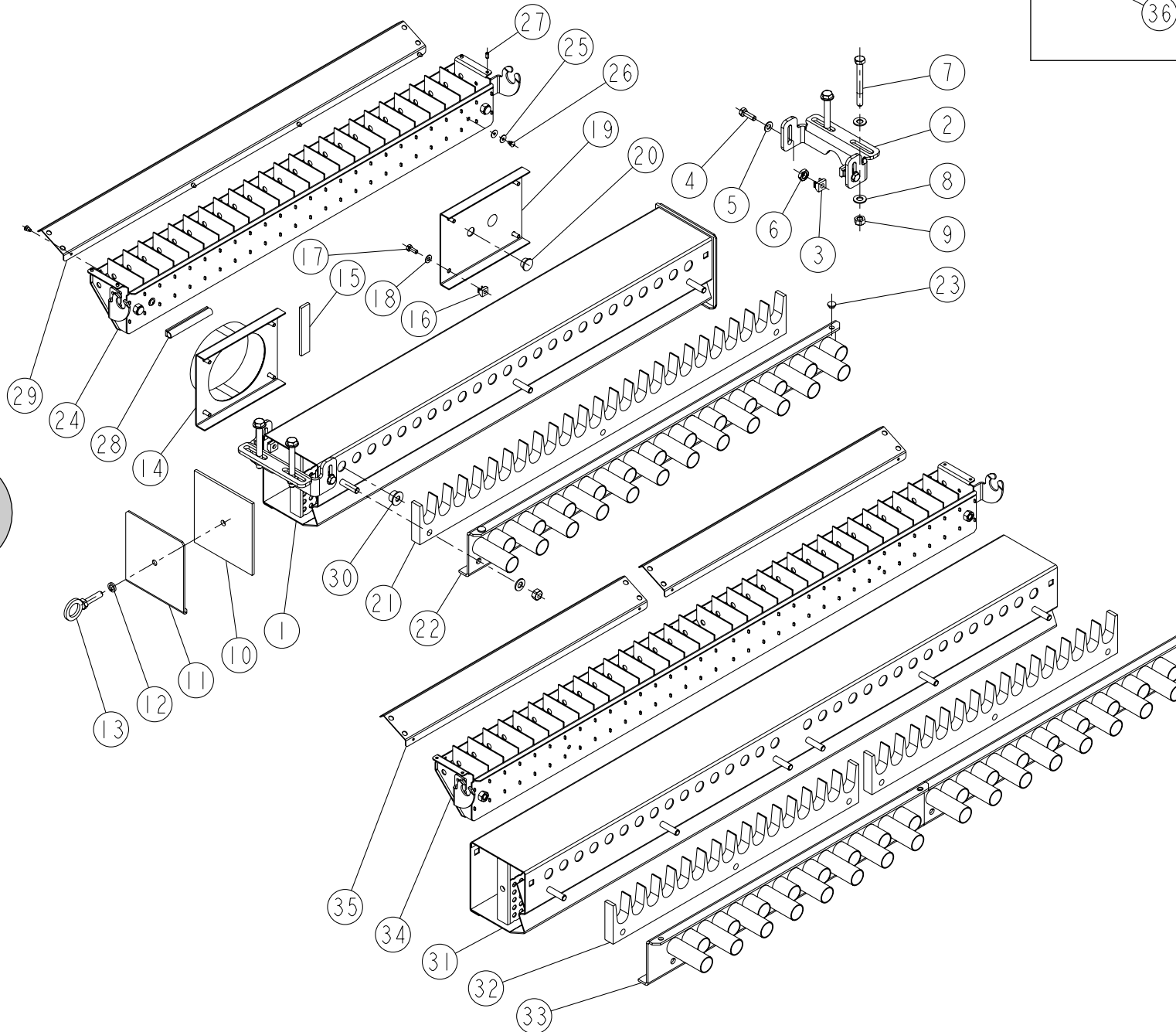


| REP | CODE | DÉSIGNATION |
|-----|--------|--------------------------------|
| 1 | 985035 | Palier d arbre ergot |
| 2 | 551666 | Vis h 6x16 zn 6 c fe 8 8 fst |
| 3 | 571206 | Ecrou h6 zn 6 c fe |
| 4 | 985031 | Chapeau de palier |
| 5 | 711016 | Roulement 3204 2rs1 20x47x20 6 |
| 6 | 922103 | Axe relais |
| 7 | 574220 | Circlips ext d20 |
| 8 | 993116 | Pignon pas 12 7 12 dts |
| 9 | 590307 | Goup elastic 6x35 serie ep |
| 10 | 590108 | Goup elastic 3 5x36 serie ep |
| 11 | 980615 | Chaine entrainement d spi2 |
| 12 | 972112 | Carter de relais |
| 13 | 571915 | Ecrou cage m6 ep 1 1 |
| 14 | 573107 | Rondelle m6 n zn 6 c fe |
| 15 | 998116 | Galet |
| 16 | 552100 | Vis h 10x50 zn 6 c fe fp |
| 17 | 573109 | Rondelle m10 n zn 6 c fe |
| 18 | 571360 | Ecrou hm 10 zn 6 c fe |
| 19 | 571210 | Ecrou h10 zn 6 c fe |

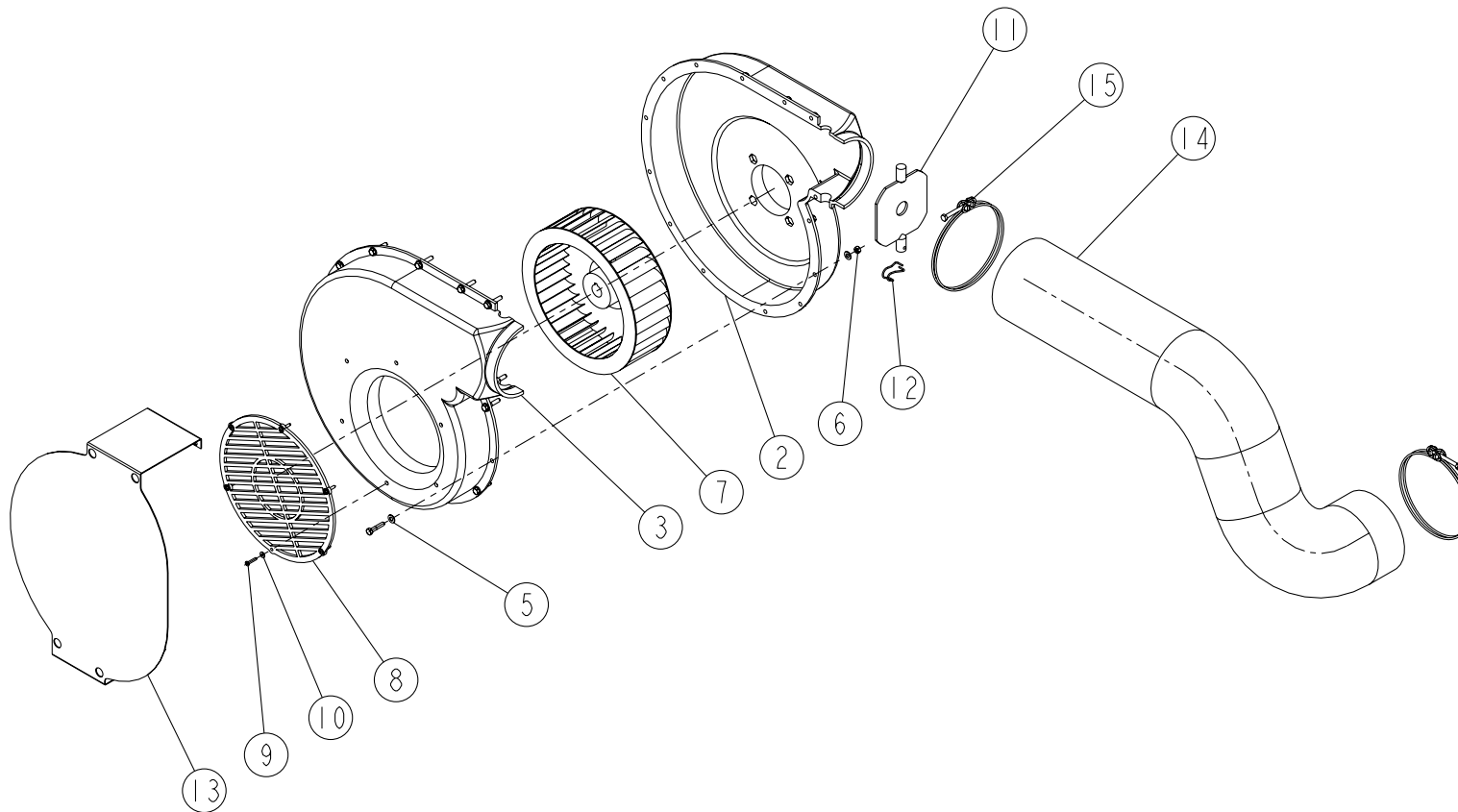
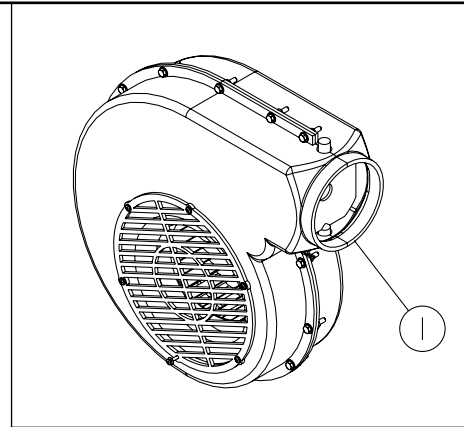




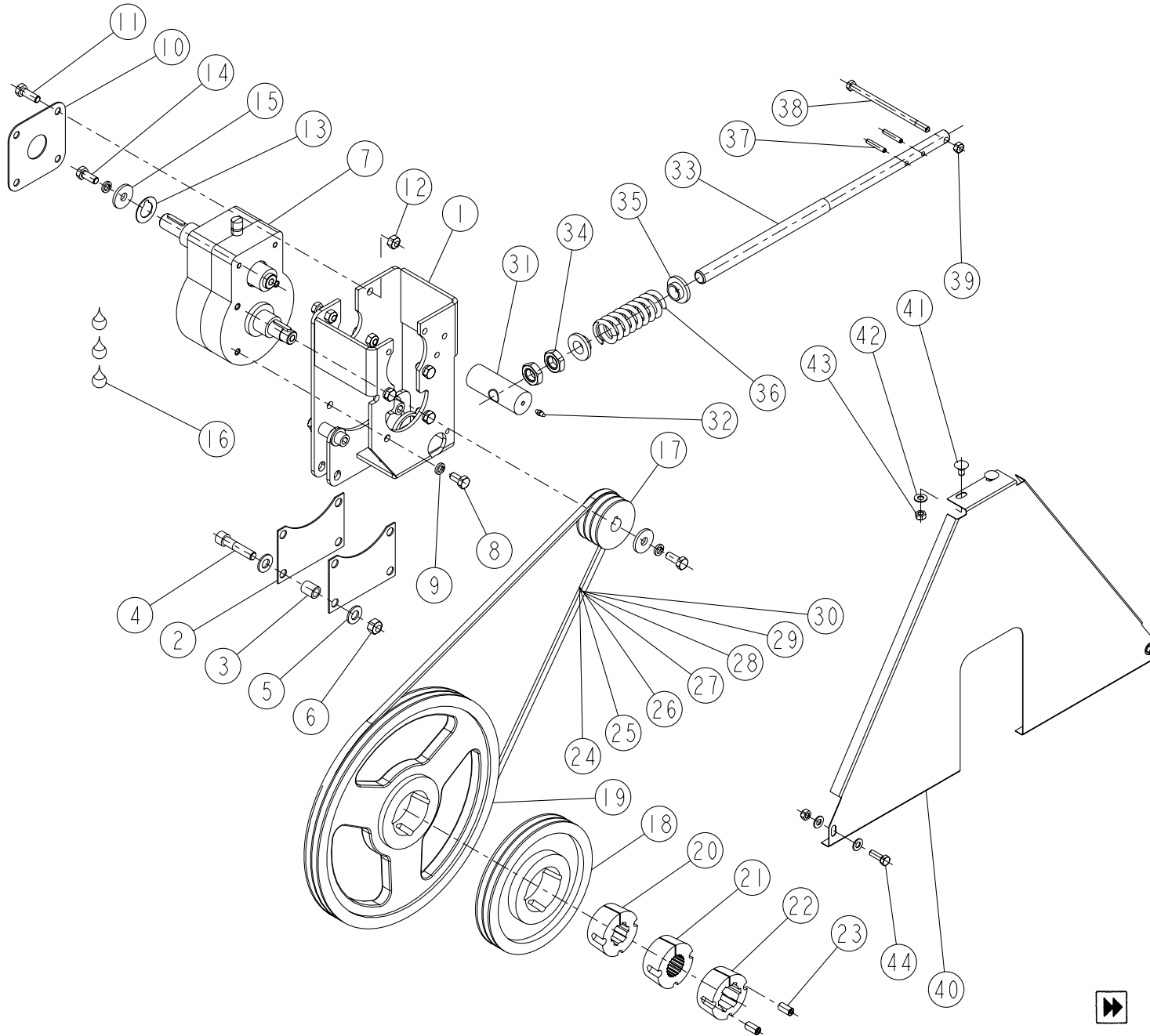
| REP | CODE | DÉSIGNATION |
|-----|--------|---------------------------------|
| 1 | 919121 | Carter de bv ps so |
| 2 | 551870 | Vis h 8x20 zn 6 c fe 8 8 fst |
| 3 | 573158 | Rondelle m8 n zn 6 c fe |
| 4 | 571208 | Ecrou h8 zn 6 c fe |
| 5 | 974047 | Couvercle carter de bv ps |
| 6 | 571458 | Ecrou frein h8 zn 6 c fe |
| 7 | 715010 | Lien noir s29150 ref 715010 |
| 8 | 924017 | Palier tambour menant |
| 9 | 551666 | Vis h 6x16 zn 6 c fe 8 8 fst |
| 10 | 573107 | Rondelle m6 n zn 6 c fe |
| 11 | 571206 | Ecrou h6 zn 6 c fe |
| 12 | 711000 | Roulement 6204 2rs 20x47x14 |
| 13 | 930029 | Arbre adaptation agitateur spi2 |
| 14 | 574220 | Circlips ext d20 |
| 15 | 993116 | Pignon pas 12 7 12 dts |
| 16 | 590307 | Goup elastic 6x35 serie ep |
| 17 | 590108 | Goup elastic 3 5x36 serie ep |
| 18 | 914068 | Platine sup bras roue g so |
| 19 | 552076 | Vis h 10x25 zn 6 c fe fst |
| 20 | 573109 | Rondelle m10 n zn 6 c fe |
| 21 | 571210 | Ecrou h10 zn 6 c fe |
| 22 | 719002 | Graisseur m6x100 90 |
| 23 | 711012 | Roulement 6204 rs1 20x47x14 |
| 24 | 930028 | Arbre accouplement reg spi2 |
| 25 | 980723 | Pignon pas 12 7 12dts d25 spi2 |
| 26 | 980614 | Chaine secondaire regul spi2 |
| 27 | 998116 | Galet |
| 28 | 552100 | Vis h 10x50 zn 6 c fe fp |
| 29 | 574225 | Circlips ext d25 |
| 30 | 980711 | Pignon 20 dents m 4 |
| 31 | 980771 | Engrenage 12 dents |
| 32 | 594306 | Goup d6 clips zn 6 c fe s37 |
| 33 | 931059 | Noix accouplement reg spi2 |
| 34 | 590306 | Goup elastic 6x28 serie ep |
| 35 | 590106 | Goup elastic 3 5x28 serie ep |
| 36 | 972125 | Carter relais regul spi2 |
| 37 | 571915 | Ecrou cage m6 ep 1 1 |
| 38 | 985035 | Palier d arbre ergot |
| 39 | 711016 | Roulement 3204 2rs1 20x47x20 6 |
| 40 | 985031 | Chapeau de palier |
| 41 | 930027 | Axe relais spi2 |
| 42 | 980613 | Chaine primaire regul spi2 |
| 43 | 552115 | Vis h 10x60 zn 6 c fe 8 8 fp |
| 44 | 571212 | Ecrou h12 zn 6 c fe |
| 45 | 571360 | Ecrou hm 10 zn 6 c fe |



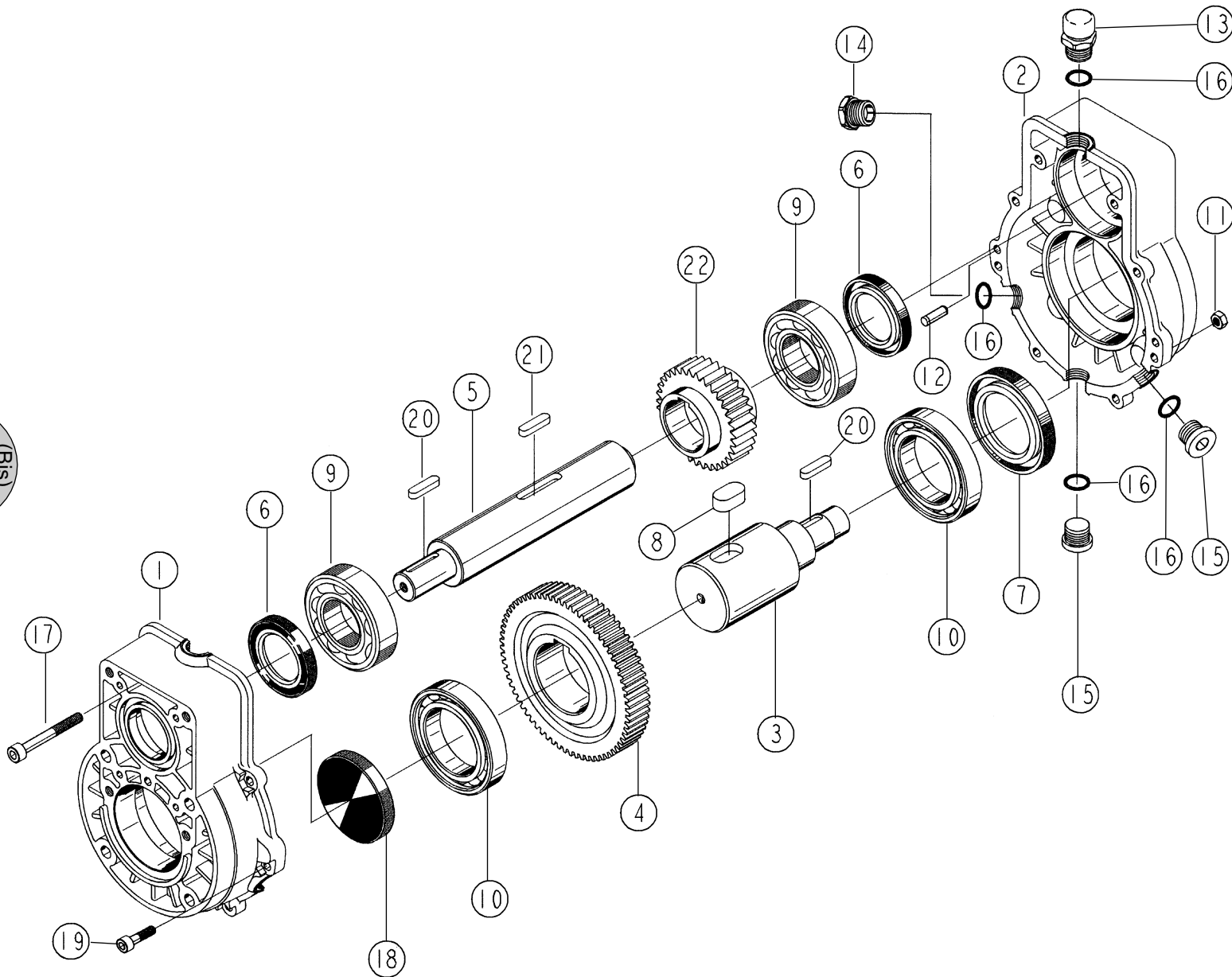
| REP | CODE | DÉSIGNATION |
|-----|---------|---------------------------------|
| 1 | 1191607 | Caisson d air 24 dist so |
| 2 | 996582 | Fixation caisson air mp4 nm |
| 3 | 571919 | Ecrou cage m8 inox ep 4 7 |
| 4 | 551875 | Vis h 8x25 zn 6 c fe fp |
| 5 | 573158 | Rondelle m8 n zn 6 c fe |
| 6 | 571362 | Ecrou hm 12 zn 6 c fe |
| 7 | 552135 | Vis h 10x90 zn 6 c fe fp 6-8 |
| 8 | 573109 | Rondelle m10 n zn 6 c fe |
| 9 | 571460 | Ecrou frein nylon h10 zn 6 c fe |
| 10 | 998098 | Etancheite de trappe de caisson |
| 11 | 997639 | Trappe de caisson d air mp4 |
| 12 | 573760 | Rondelle w d10 zn 6 c fe |
| 13 | 918405 | Vis serrage trappe caisson so |
| 14 | 1191513 | Support de virole turbine3 so |
| 15 | 794021 | Bande adhesive 1 face au m |
| 16 | 571916 | Ecrou cage m6 ep 3 5 |
| 17 | 551666 | Vis h 6x16 zn 6 c fe 8 8 fst |
| 18 | 573107 | Rondelle m6 n zn 6 c fe |
| 19 | 997435 | Bouchon arriere caisson air |
| 20 | 415715 | Bouchon d16 gpn 300 f15 nat |
| 21 | 997527 | Injecteur monobloc 24 dist |
| 22 | 1191340 | Tole support tuyaux 24 dist so |
| 23 | 415716 | Bouchon d9 gpn 300 f041 nat |
| 24 | 918372 | Entonnoir 24 dist rs so |
| 25 | 573804 | Rondelle l4 n inox a2 70 |
| 26 | 598041 | Rivet aveugle 4x10 alu |
| 27 | 589202 | Goup elastic 5x10 inox |
| 28 | 463503 | Joint de couvercle au m |
| 29 | 965123 | Deflecteur reg rs3m |
| 30 | 987119 | Bouchon d injecteur mp |
| 31 | 1191512 | Caisson d air 32 dist so |
| 32 | 997526 | Injecteur monobloc 16 dist |
| 33 | 1191517 | Tole support tuyaux 16 dist so |
| 34 | 918366 | Entonnoir 32 dist rs so |
| 35 | 965121 | Deflecteur regulateur spi2 |
| 36 | 903401 | Entretoise de patte |



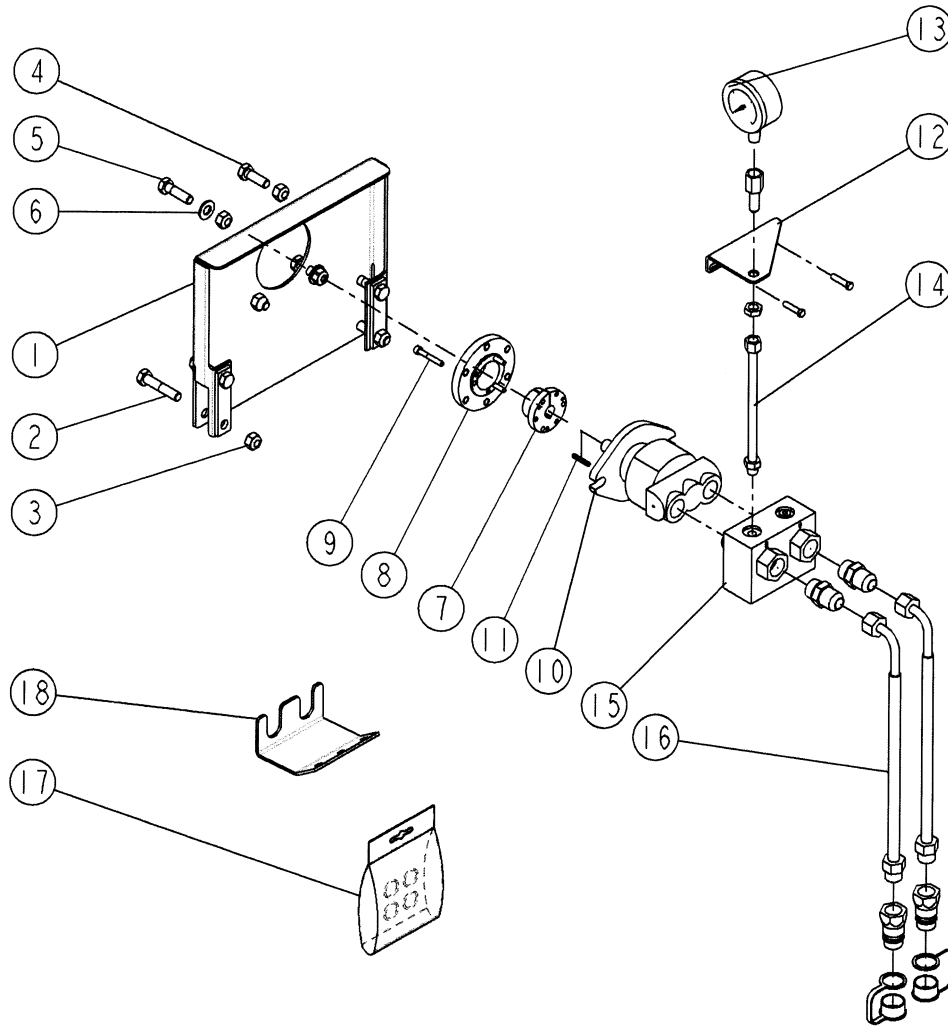
| REP | CODE | DÉSIGNATION |
|-----|--------|--------------------------------|
| 1 | 980202 | Turbine 3 |
| 2 | 720790 | Coquille ar de turbine |
| 3 | 720791 | Coquille av de turbine |
| 4 | 551684 | Vis h 6x30 zn 6 c fe fp |
| 5 | 573107 | Rondelle m6 n zn 6 c fe |
| 6 | 571406 | Ecrou frein nylon h6 zn 6 c fe |
| 7 | 720792 | Roue de turbine3 |
| 8 | 720793 | Grille de turbine 3 |
| 9 | 720796 | Vis cbl z st3 9x22 zn 6 c fe |
| 10 | 720797 | Rondelle m4 n zn 6 c fe |
| 11 | 720794 | Volet de turbine 3 |
| 12 | 720795 | Agrafe de volet |
| 13 | 972118 | Carter turbine 3 |
| 14 | 983803 | Tuyau d 140 l 1150 |
| 15 | 794540 | Collier double fils diam 150 |



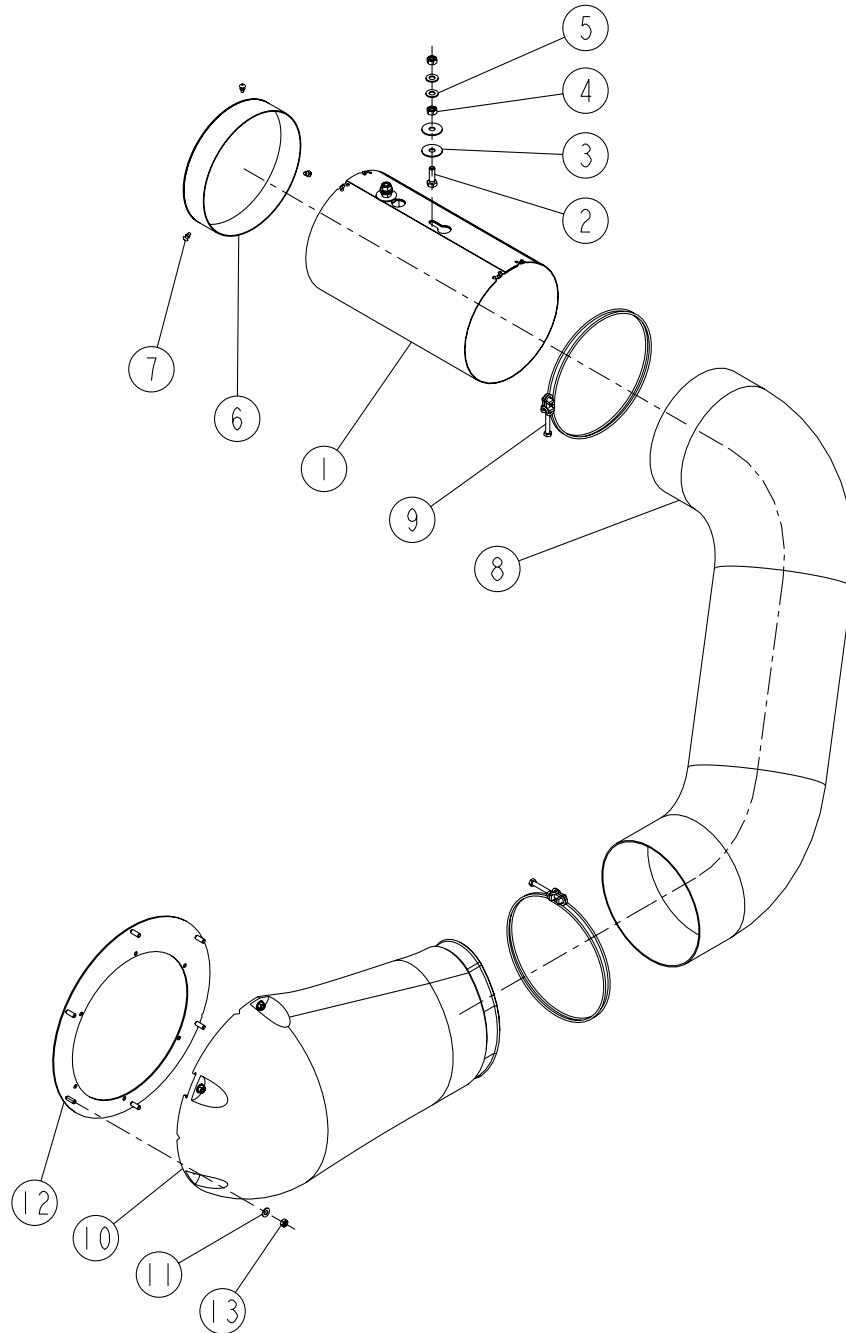
| REP | CODE | DÉSIGNATION |
|-----|--------|---------------------------------|
| 1 | 915142 | Support turbine3 so |
| 2 | 934001 | Plaque de guidage turbine |
| 3 | 901553 | Galet de variateur |
| 4 | 554250 | Vis chc 12x55 classe 12 9 |
| 5 | 573112 | Rondelle m12 n zn 6 c fe |
| 6 | 571462 | Ecrou frein h12 zn 6 c fe |
| 7 | 980794 | Boitier mp10 |
| 8 | 552070 | Vis h 10x20 zn 6 c fe |
| 9 | 573760 | Rondelle w d10 zn 6 c fe |
| 10 | 925088 | Plaque etancheite turbine3 |
| 11 | 552080 | Vis h 10x30 zn 6 c fe fp |
| 12 | 571460 | Ecrou frein nylon h10 zn 6 c fe |
| 13 | 926051 | Rondelle de calage roue a aube |
| 14 | 552076 | Vis h 10x25 zn 6 c fe fst |
| 15 | 902009 | Rondelle epaisse 12x36 |
| 16 | 480004 | Huile tm sae 85w-140 api-gl5 1l |
| 17 | 932018 | Poulie spz d71 |
| 18 | 932019 | Poulie spz d 200 2g |
| 19 | 932020 | Poulie spz d 355 |
| 20 | 923071 | Moyeu taper lock 1p3-8 6 can |
| 21 | 923072 | Moyeu taper lock 1p3-8 21 can |
| 22 | 923074 | Moyeu taper lock 1p3-4 6 can |
| 23 | 720798 | Vis sthc 7-16p x 7-8p bout bomb |
| 24 | 716005 | Courroie spz 1437 |
| 25 | 716010 | Courroie spz 1500 |
| 26 | 716011 | Courroie spz 1630 |
| 27 | 716006 | Courroie spz 1700 |
| 28 | 716007 | Courroie spz 1800 |
| 29 | 716008 | Courroie spz 1900 |
| 30 | 716009 | Courroie spz 2000 |
| 31 | 992460 | Ecrou de vis de turbine |
| 32 | 719001 | Graisseur m6x100 droit |
| 33 | 922108 | Vis de tension |
| 34 | 571320 | Ecrou hm 20 zn 6 c fe |
| 35 | 923078 | Moyeu d25 |
| 36 | 981304 | Ressort de turbine mp |
| 37 | 589307 | Goup elastic 6x35 inox |
| 38 | 551950 | Vis h 8x150 zn 6 c fe fp |
| 39 | 571458 | Ecrou frein h8 zn 6 c fe |
| 40 | 972114 | Carter de triangle |
| 41 | 558916 | Vis trcc 8x16 inox a2 70 |
| 42 | 573158 | Rondelle m8 n zn 6 c fe |
| 43 | 571408 | Ecrou frein nylon h8 inox a2 70 |
| 44 | 551875 | Vis h 8x25 zn 6 c fe fp |



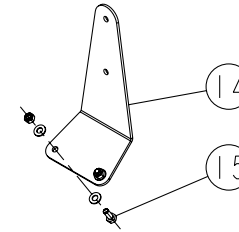
| REP | CODE | DÉSIGNATION |
|-----|--------|-------------------------------|
| 1 | 720799 | Coquille av boitier mp10 |
| 2 | 720800 | Coquille ar boitier mp10 |
| 3 | 720801 | Arbre d entree boitier mp10 |
| 4 | 720802 | Engrenage menant boitier mp10 |
| 5 | 720803 | Arbre de sortie boitier mp10 |
| 6 | 720222 | Bague d etancheite 35x52x7 |
| 7 | 720804 | Bague d etancheite 50x62x7 |
| 8 | 720805 | Clavette 14x9x25 |
| 9 | 720806 | Roulement 6007 |
| 10 | 720807 | Roulement 6010 |
| 11 | 571206 | Ecrou h6 zn 6 c fe |
| 12 | 720808 | Goupille cylindrique 6x10 |
| 13 | 720228 | Reniflard 3 8 gaz |
| 14 | 720809 | Temoin d huile 3 8 gaz |
| 15 | 720810 | Bouchon 3 8 gaz |
| 16 | 720811 | Joint thorique 19x13x3 |
| 17 | 720812 | Vis chc 6x65 zn 6 c fe fp |
| 18 | 720813 | Couvercle rca 62 |
| 19 | 720814 | Vis chc 6x25 zn 6 c fe fst |
| 20 | 720815 | Clavette 6x6x30 |
| 21 | 720816 | Clavette 10x8x30 |
| 22 | 720817 | Engrenage mene boitier mp10 |



| REP | CODE | DÉSIGNATION |
|-----|--------|---------------------------------|
| 1 | 915143 | Support turbine3 hydr so |
| 2 | 552100 | Vis h 10x50 zn 6 c fe fp |
| 3 | 571460 | Ecrou frein nylon h10 zn 6 c fe |
| 4 | 552080 | Vis h 10x30 zn 6 c fe fp |
| 5 | 552085 | Vis h 10x35 zn 6 c fe fst |
| 6 | 573109 | Rondelle m10 n zn 6 c fe |
| 7 | 923092 | Moyeu amovible d 14 |
| 8 | 923093 | Moyeu de roue a aube hydr |
| 9 | 553535 | Vis chc 5x35 10 9 fp |
| 10 | 720139 | Moteur hydraulique bi-di |
| 11 | 720141 | Clavette 1-8 pouce x 1 pouce |
| 12 | 720291 | Support de manometre |
| 13 | 720293 | Manometre 0-40 bars |
| 14 | 720294 | Flexible 0m35 hors tout |
| 15 | 720292 | Roue libre clapet anti-retour |
| 16 | 720145 | Flexible 3m05 hors tout |
| 17 | 720137 | Pochette joints moteur 720139 |
| 18 | 951270 | Support 2 push pull |



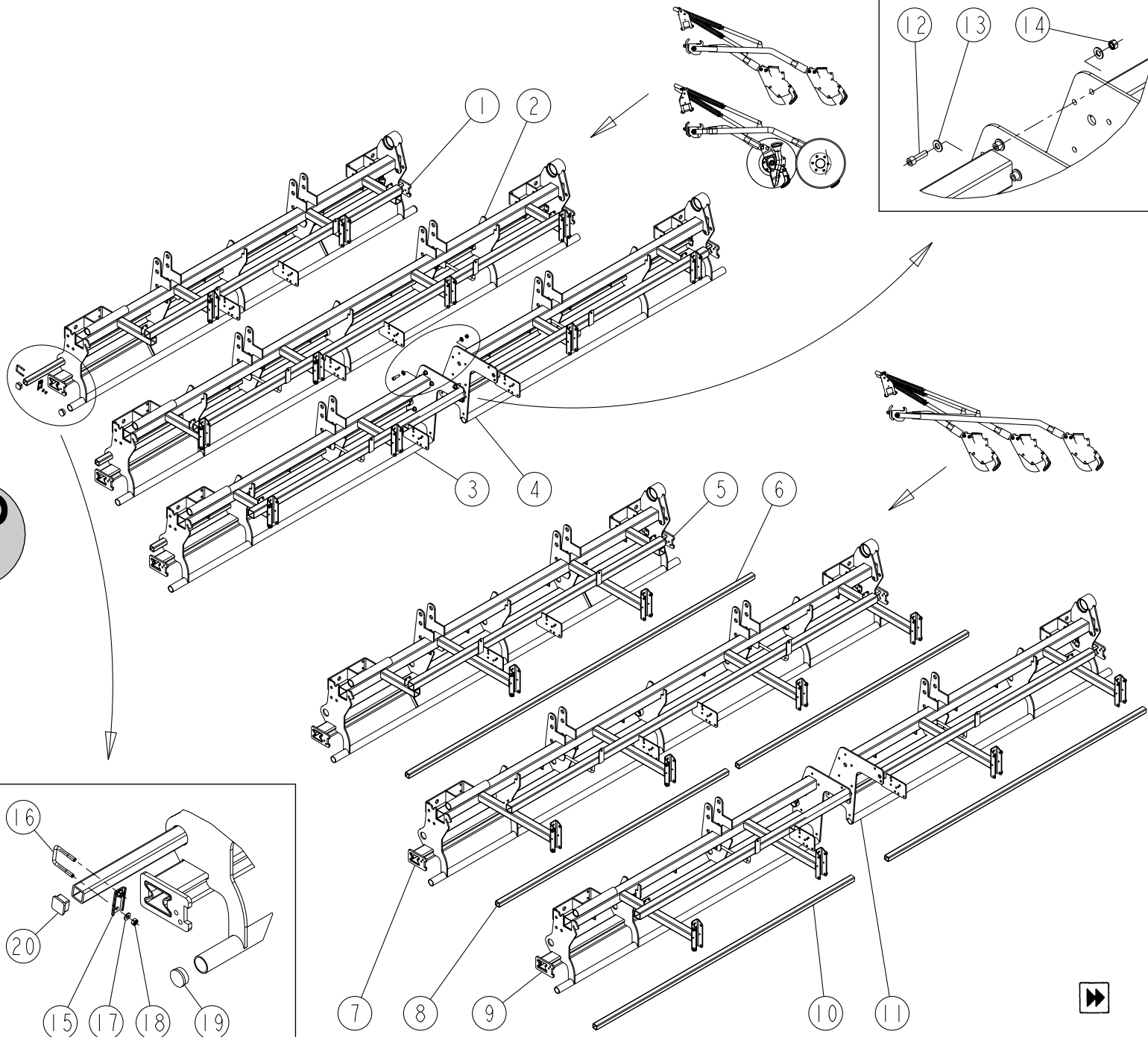
4 - 4.5m



| REP | CODE | DÉSIGNATION |
|-----|--------|------------------------------|
| 1 | 976003 | Filtre turbine |
| 2 | 551875 | Vis h 8x25 zn 6 c fe fp |
| 3 | 573258 | Rondelle I18 n zn 6 c fe |
| 4 | 571208 | Ecrou h8 zn 6 c fe |
| 5 | 573158 | Rondelle m8 n zn 6 c fe |
| 6 | 415734 | Bouchon d200 das 34183 |
| 7 | 598041 | Rivet aveugle 4x10 alu |
| 8 | 987106 | Tuyau d 200 l 1200 |
| 9 | 794543 | Collier double fils diam 200 |
| 10 | 985605 | Goulotte aspiration |
| 11 | 573107 | Rondelle m6 n zn 6 c fe |
| 12 | 918358 | Adapt goulotte turb 3 so |
| 13 | 571206 | Ecrou h6 zn 6 c fe |
| 14 | 964132 | Tole support filtre |
| 15 | 551870 | Vis h 8x20 zn 6 c fe 8 8 fst |

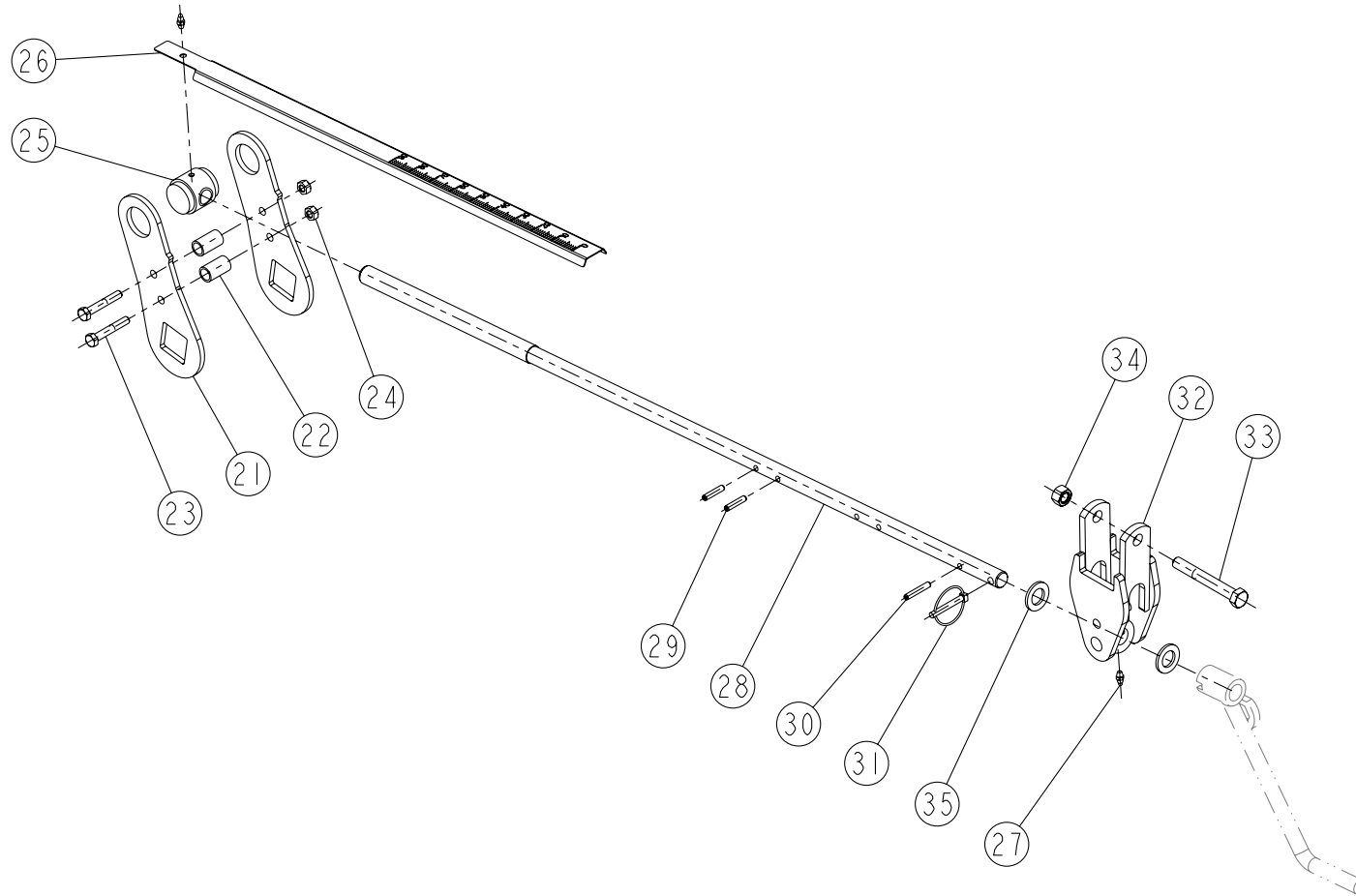
RS

G1-00

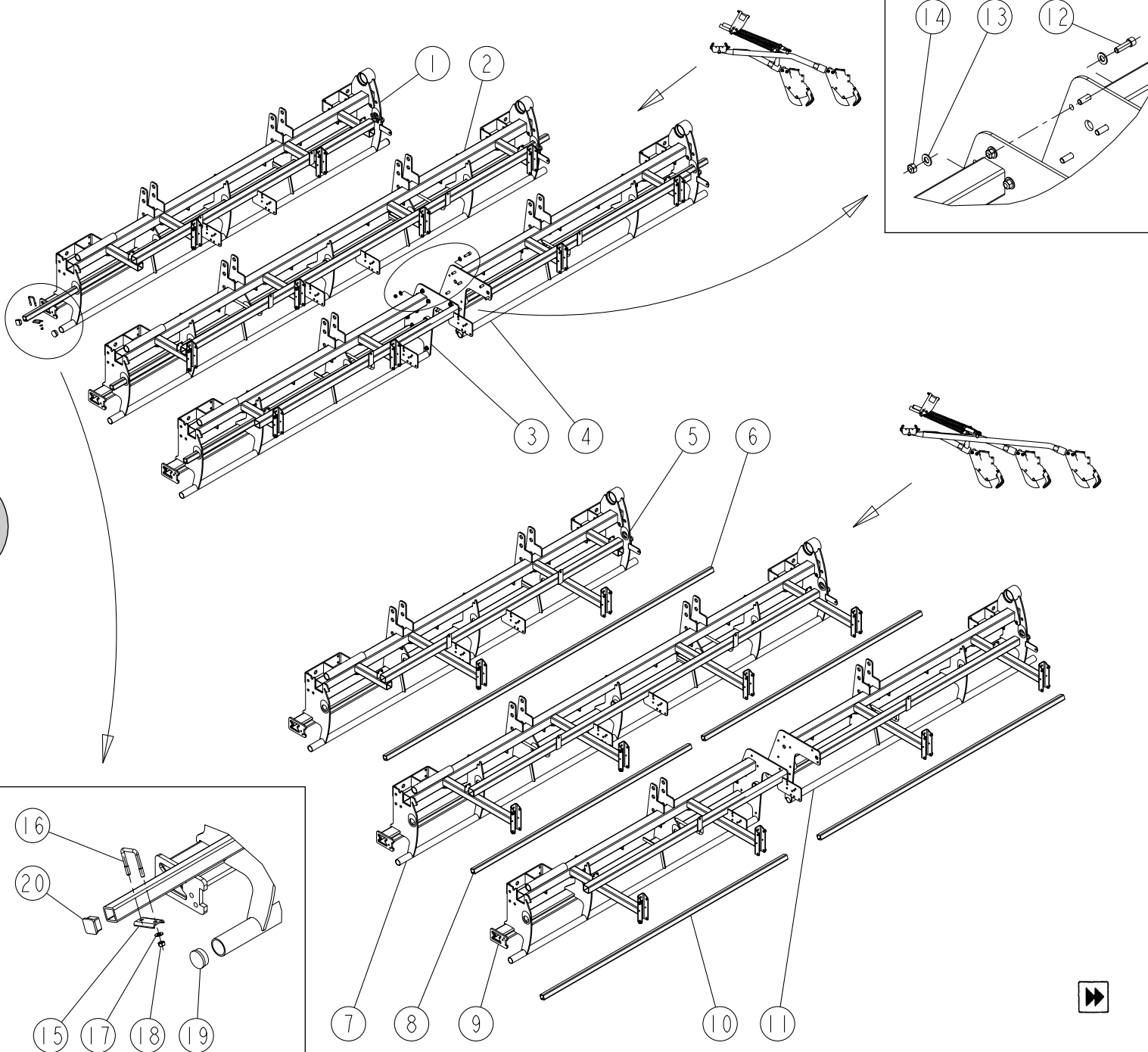


| REP | CODE | DÉSIGNATION |
|-----|--------|-------------------------------|
| 1 | 917238 | Chassis enter 3m spi2 so |
| 2 | 917236 | Chassis enter 4m spi2 |
| 3 | 917249 | Demi chassis ent rs4m50 g so |
| 4 | 917222 | Demi chassis ent mp45d so |
| 5 | 917239 | Chassis enter 3m spi2 3rg so |
| 6 | 958034 | Barre porte dent 3m |
| 7 | 917237 | Chassis enter 4m 3rg rs so |
| 8 | 958052 | Barre de terrage 4m spe |
| 9 | 917250 | Demi chassis 3rgs rs4m50 g so |
| 10 | 958053 | Barre de terrage 4m50 spe |
| 11 | 917232 | Demi chassis 3rgs 45d so |
| 12 | 554240 | Vis chc 12x40 classe 12 9 |
| 13 | 573112 | Rondelle m12 n zn 6 c fe |
| 14 | 571212 | Ecrou h12 zn 6 c fe |
| 15 | 906005 | Bride de dent souple |
| 16 | 906143 | Bride de biellette |
| 17 | 573108 | Rondelle m8 n |
| 18 | 571108 | Ecrou h8 |
| 19 | 415742 | Bouchon d42 noir sr1530 |
| 20 | 415741 | Bouchon 35x35 sr1540 noir |





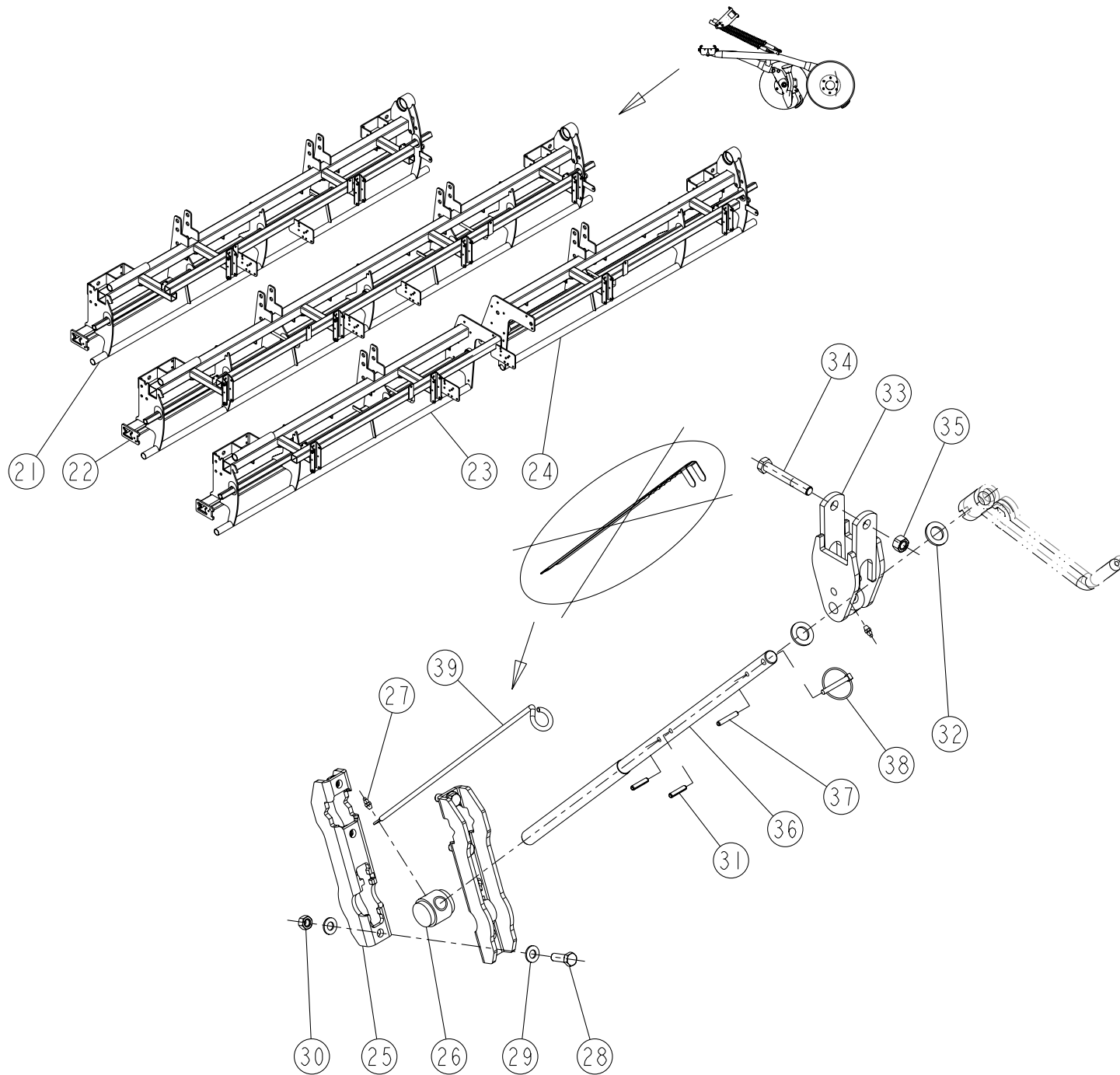
| REP | CODE | DÉSIGNATION |
|-----|--------|--------------------------------|
| 21 | 940150 | Bras principal terrage spe |
| 22 | 925060 | Entretoise de toit ct |
| 23 | 551850 | Vis h 8x50 fp |
| 24 | 571458 | Ecrou frein h8 zn 6 c fe |
| 25 | 901620 | Ecrou orientable |
| 26 | 968016 | Repere enterrage spi2 |
| 27 | 719001 | Graisneur m6x100 droit |
| 28 | 922092 | Vis de terrage ct |
| 29 | 590306 | Goup elastic 6x28 serie ep |
| 30 | 590307 | Goup elastic 6x35 serie ep |
| 31 | 594306 | Goup d6 clips zn 6 c fe s37 |
| 32 | 917219 | Bras de manivelle spe so |
| 33 | 552299 | Vis h 12x90 zn 6 c fe |
| 34 | 571112 | Ecrou h12 |
| 35 | 901949 | Rondelle d arbre intermediaire |



| REP | CODE | DÉSIGNATION |
|-----|--------|---------------------------------|
| 1 | 917255 | Chassis enterrage 3m 220 rs so |
| 2 | 917261 | Chassis enterrage 4m 220 rs so |
| 3 | 917267 | Demi chassis ent g 4m5 220rs so |
| 4 | 917270 | Demi chassis ent d 4m5 220mp so |
| 5 | 917256 | Chassis enterrage 3m 320 rs so |
| 6 | 958034 | Barre porte dent 3m |
| 7 | 917262 | Chassis enterrage 4m 320 rs so |
| 8 | 958052 | Barre de terrage 4m spe |
| 9 | 917268 | Demi chassis ent g 4m5 320rs so |
| 10 | 958053 | Barre de terrage 4m50 spe |
| 11 | 917271 | Demi chassis ent d 4m5 320mp so |
| 12 | 554240 | Vis chc 12x40 classe 12 9 |
| 13 | 573112 | Rondelle m12 n zn 6 c fe |
| 14 | 571462 | Ecrou frein h12 zn 6 c fe |
| 15 | 906005 | Bride de dent souple |
| 16 | 906143 | Bride de biellette |
| 17 | 573108 | Rondelle m8 n |
| 18 | 571108 | Ecrou h8 |
| 19 | 415742 | Bouchon d42 noir sr1530 |
| 20 | 415741 | Bouchon 35x35 sr1540 noir |

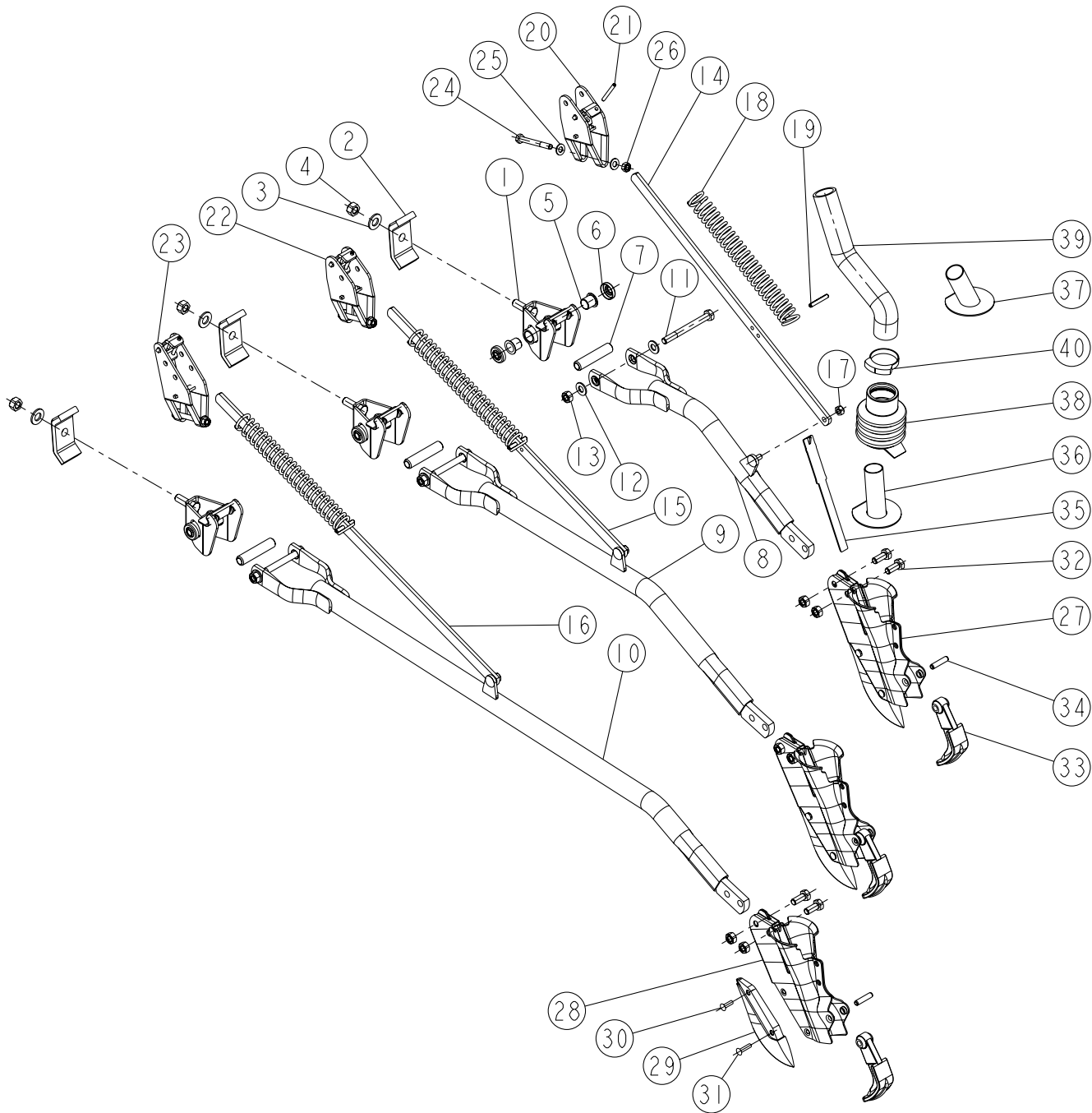
G1-01



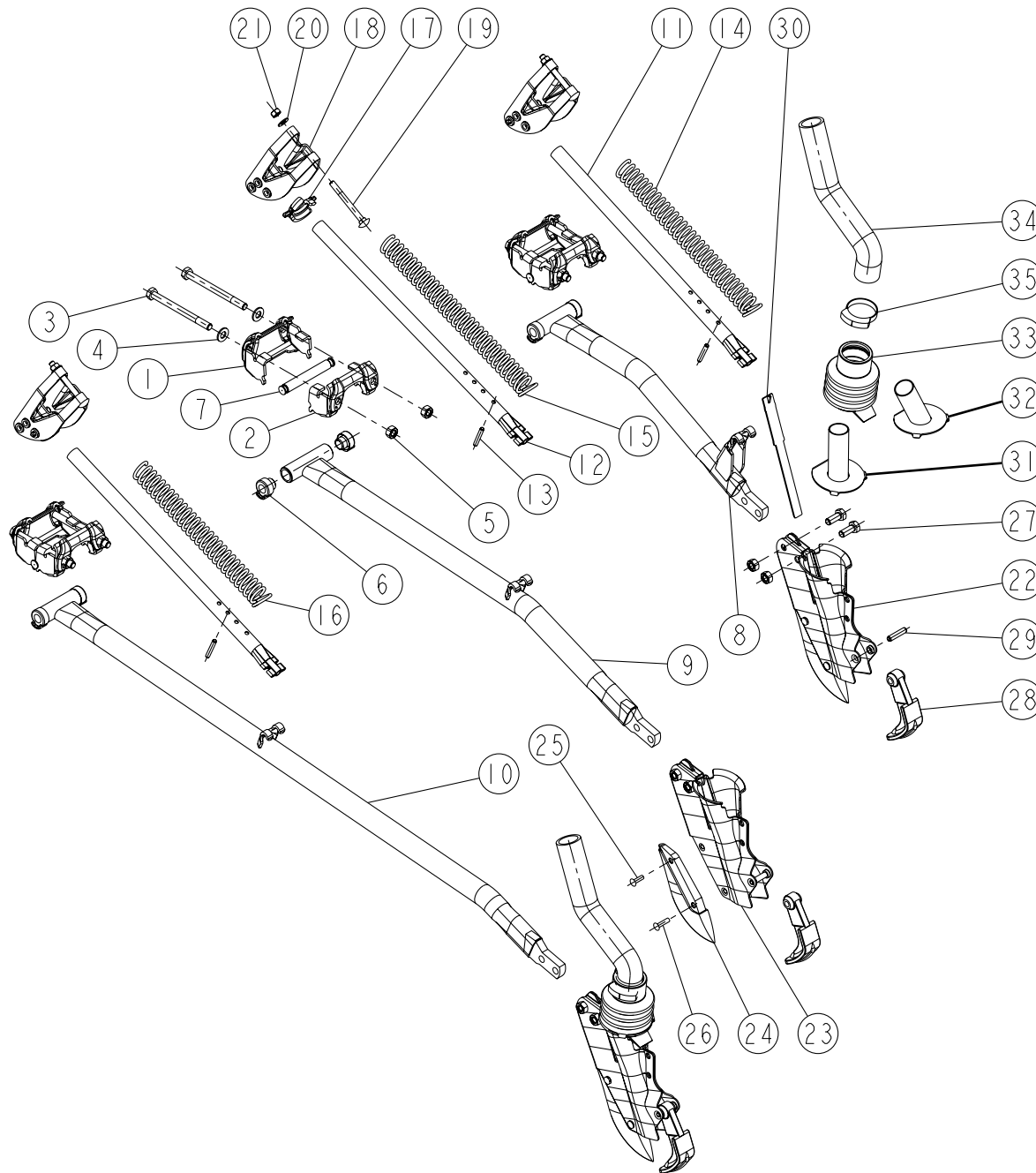


| REP | CODE | DÉSIGNATION |
|-----|--------|---------------------------------|
| 21 | 917257 | Chassis enterrage 3m 230 rs so |
| 22 | 917263 | Chassis enterrage 4m 230 rs so |
| 23 | 917269 | Demi chassis ent g 4m5 230rs so |
| 24 | 917272 | Demi chassis ent d 4m5 230mp so |
| 25 | 940115 | Bras de terrage |
| 26 | 901620 | Ecrou orientable |
| 27 | 719001 | Graisseur m6x100 droit |
| 28 | 552080 | Vis h 10x30 zn 6 c fe fp |
| 29 | 573109 | Rondelle m10 n zn 6 c fe |
| 30 | 571110 | Ecrou h10 |
| 31 | 590306 | Goup elastic 6x28 serie ep |
| 32 | 901949 | Rondelle d arbre intermediaire |
| 33 | 917219 | Bras de manivelle spe so |
| 34 | 552298 | Vis h 12x80 zn 6 c fe fp |
| 35 | 571112 | Ecrou h12 |
| 36 | 922124 | Vis de terrage rs |
| 37 | 590307 | Goup elastic 6x35 serie ep |
| 38 | 594306 | Goup d6 clips zn 6 c fe s37 |
| 39 | 968017 | Index de terrage tc |

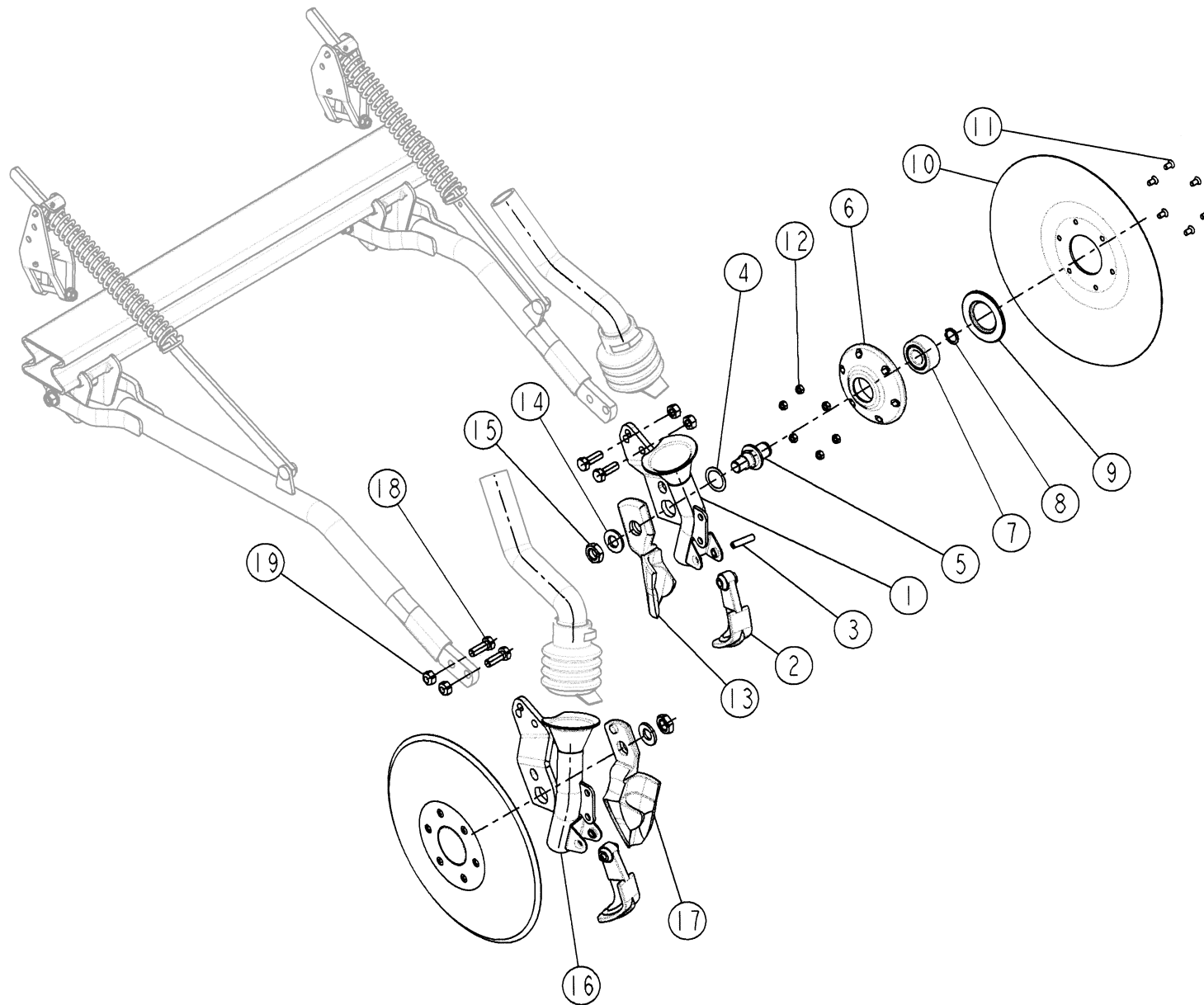
G1-01
(Bis)



| REP | CODE | DÉSIGNATION |
|-----|--------|--------------------------------|
| 1 | 918288 | Chape semeur spe so |
| 2 | 962130 | Bride de chape spe |
| 3 | 573112 | Rondelle m12 n zn 6 c fe |
| 4 | 571462 | Ecrou frein h12 zn 6 c fe |
| 5 | 850000 | Coussinet gfm1618 17 spe |
| 6 | 952127 | Coquille de semeur spe |
| 7 | 925082 | Entretoise courte spe |
| 8 | 916145 | Bras de semeur r1 so spe |
| 9 | 916146 | Bras de semeur r2 so spe |
| 10 | 916147 | Bras de semeur r3 so spe |
| 11 | 552140 | Vis h 10x100 zn 6 c fe 8 8 fp |
| 12 | 573109 | Rondelle m10 n zn 6 c fe |
| 13 | 571110 | Ecrou h10 |
| 14 | 964112 | Tige de terrage r1 spe |
| 15 | 964113 | Tige de terrage r2 spe |
| 16 | 964114 | Tige de terrage r3 spe |
| 17 | 571458 | Ecrou frein h8 zn 6 c fe |
| 18 | 981303 | Ressort double effet |
| 19 | 590308 | Goup elastic 6x40 serie ep |
| 20 | 918216 | Biellette av sp so |
| 21 | 590210 | Goup elastic 5x50 serie ep |
| 22 | 918217 | Biellette ar sp so |
| 23 | 918352 | Biellette de terrage spe r3 so |
| 24 | 551920 | Vis h 8x70 zn 6 c fe fp |
| 25 | 573158 | Rondelle m8 n zn 6 c fe |
| 26 | 571108 | Ecrou h8 |
| 27 | 909780 | Botte tole so |
| 28 | 908430 | Botte tole |
| 29 | 908435 | Soc trainant ft bl |
| 30 | 597564 | Rivet tf 120 6x20 |
| 31 | 597565 | Rivet tf 120 6x25 |
| 32 | 552025 | Vis h 10x25 8 8 fst |
| 33 | 907019 | Support de demarrage |
| 34 | 589407 | Goup elastic 8x35 inox |
| 35 | 908434 | Guide graine |
| 36 | 914035 | Adaptation botte tole so |
| 37 | 914107 | Adaptation botte tole ext so |
| 38 | 907711 | Soufflet elem semeur |
| 39 | 793008 | Tuyau d 30 au m |
| 40 | 794770 | Collier herbie clip d5 |



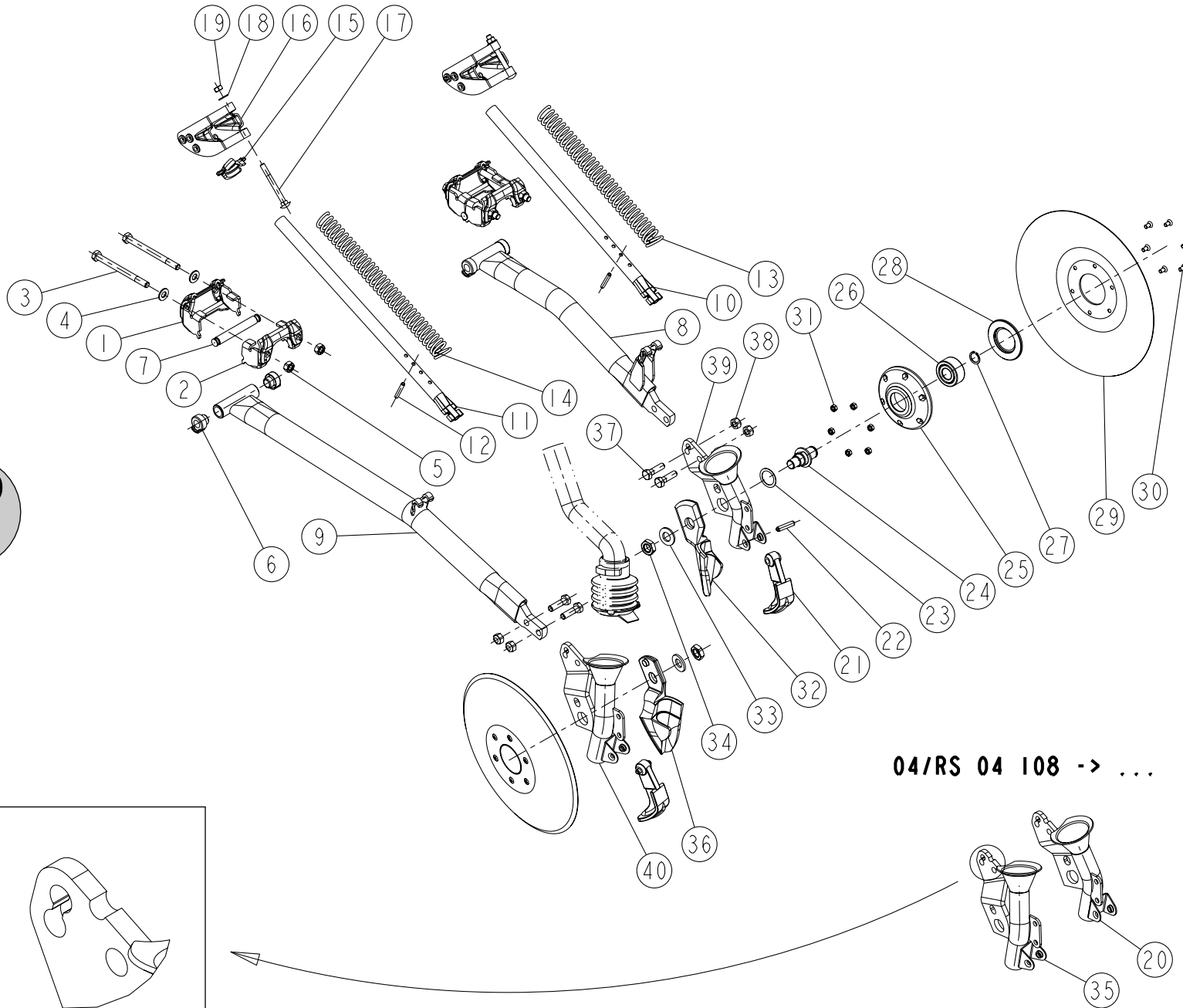
| REP | CODE | DÉSIGNATION |
|-----|--------|------------------------------|
| 1 | 956090 | Demi chape av spe |
| 2 | 956089 | Demi chape ar spe |
| 3 | 552054 | Vis h 10x120 fp |
| 4 | 573109 | Rondelle m10 n zn 6 c fe |
| 5 | 571110 | Ecrou h10 |
| 6 | 985230 | Coussinet de semeur spe |
| 7 | 921105 | Axe articulation semeur spe |
| 8 | 916165 | Tube de semeur r1 spe so |
| 9 | 916166 | Tube de semeur r2 spe so |
| 10 | 916167 | Tube de semeur r3 spe so |
| 11 | 964118 | Tube de pression t1 spe |
| 12 | 964119 | Tube de pression t2 spe |
| 13 | 590308 | Goup elastic 6x40 serie ep |
| 14 | 981411 | Ressort de terrage de r1 spe |
| 15 | 981412 | Ressort de terrage de r2 spe |
| 16 | 981413 | Ressort de terrage de r3 spe |
| 17 | 964121 | Rondelle de terrage spe |
| 18 | 941046 | Biellette de pression spe |
| 19 | 552880 | Vis trcc 8x80 fp 8 8 |
| 20 | 573108 | Rondelle m8 n |
| 21 | 571108 | Ecrou h8 |
| 22 | 909780 | Botte tole so |
| 23 | 908430 | Botte tole |
| 24 | 908435 | Soc trainant ft bl |
| 25 | 597564 | Rivet tf 120 6x20 |
| 26 | 597565 | Rivet tf 120 6x25 |
| 27 | 552025 | Vis h 10x25 8 8 fst |
| 28 | 907019 | Support de demarrage |
| 29 | 589407 | Goup elastic 8x35 inox |
| 30 | 908434 | Guide graine |
| 31 | 914035 | Adaptation botte tole so |
| 32 | 914107 | Adaptation botte tole ext so |
| 33 | 907711 | Soufflet elem semeur |
| 34 | 793008 | Tuyau d 30 au m |
| 35 | 794770 | Collier herbie clip d5 |



| REP | CODE | DÉSIGNATION |
|-----|--------|---------------------------------|
| 1 | 916127 | Platine unidisc nm g so |
| 2 | 907019 | Support de demarrage |
| 3 | 589407 | Goup elastic 8x35 inox |
| 4 | 963151 | Rondelle calage unidisc |
| 5 | 921085 | Axe de rotation uc |
| 6 | 985027 | Moyeu roulement uc |
| 7 | 711016 | Roulement 3204 2rs1 20x47x20 6 |
| 8 | 574220 | Circlips ext d20 |
| 9 | 985028 | Chapeau unidisc |
| 10 | 980108 | Disque convexe uc |
| 11 | 555652 | Vis fbz m 6x12 inox a2 70 |
| 12 | 571206 | Ecrou h6 zn 6 c fe |
| 13 | 980109 | Rasette unidisc uc g |
| 14 | 573516 | Rondelle secu rip lock m16 zn |
| 15 | 571366 | Ecrou hm 16 zn 6 c fe |
| 16 | 916128 | Platine unidisc nm d so |
| 17 | 980110 | Rasette unidisc uc d |
| 18 | 552080 | Vis h 10x30 zn 6 c fe fp |
| 19 | 571460 | Ecrou frein nylon h10 zn 6 c fe |

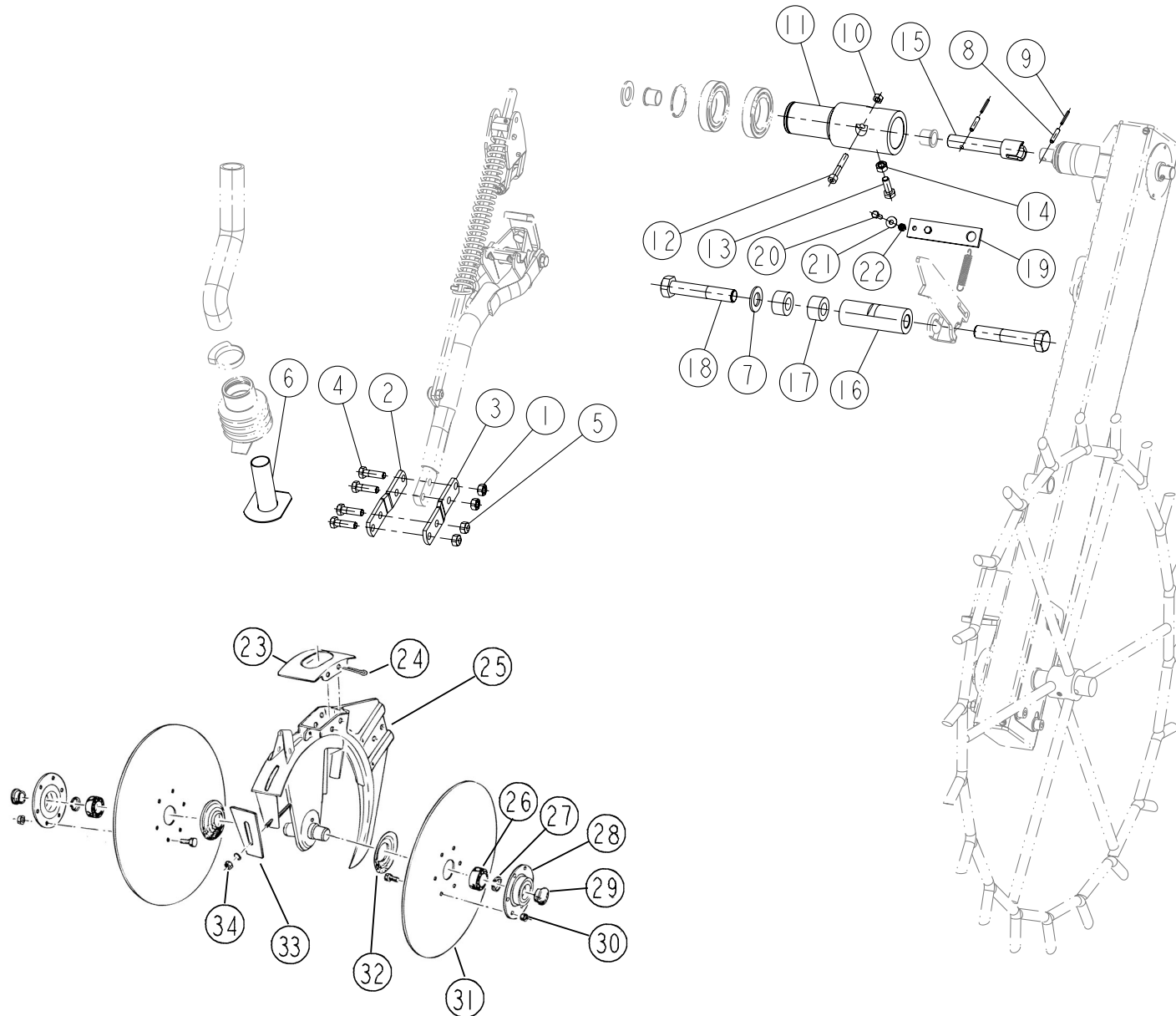
RS 03/RS 07 109 → ...

G3-01

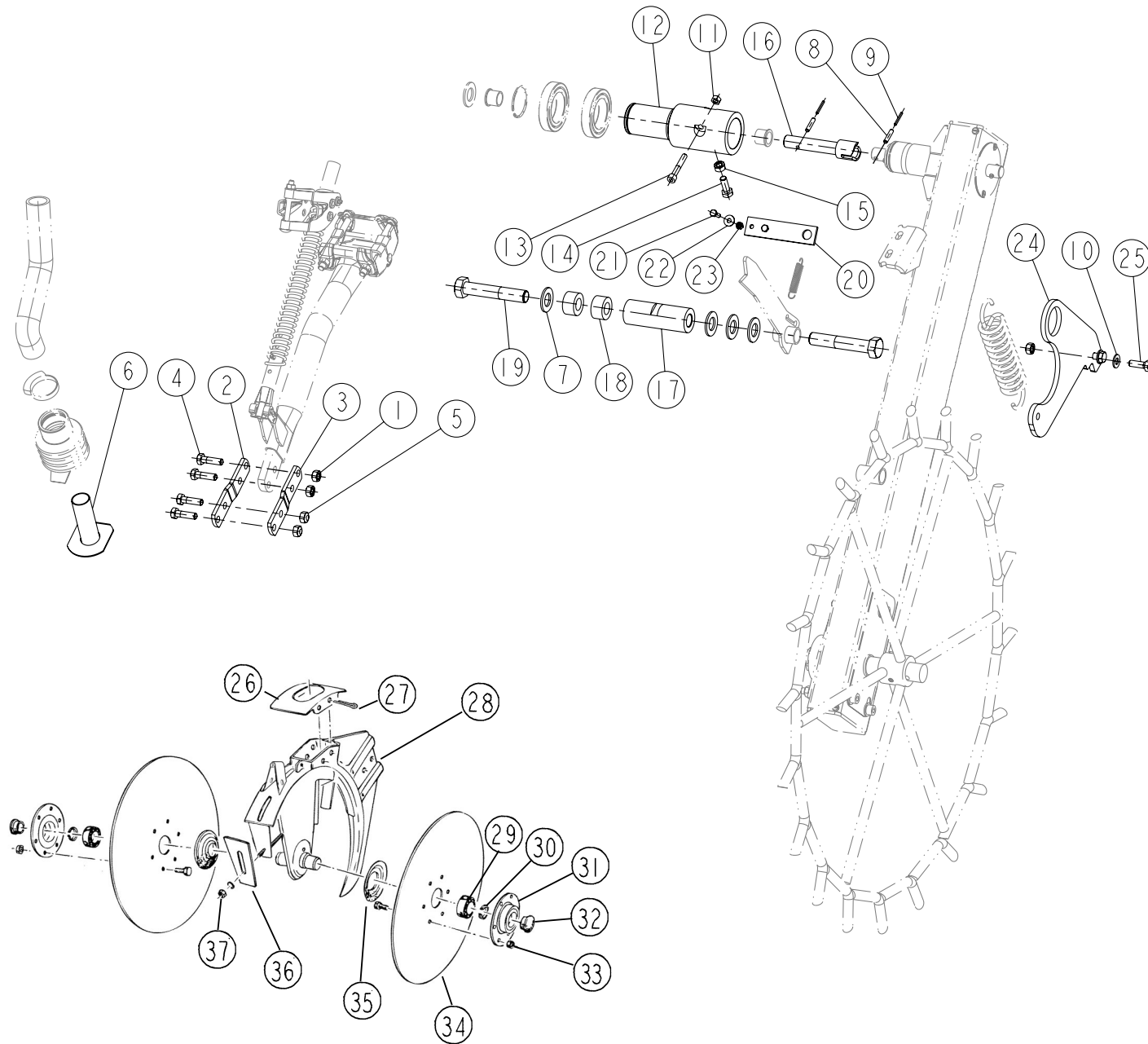


| REP | CODE | DÉSIGNATION |
|-----|--------|---------------------------------|
| 1 | 956090 | Demi chape av spe |
| 2 | 956089 | Demi chape ar spe |
| 3 | 552054 | Vis h 10x120 fp |
| 4 | 573109 | Rondelle m10 n zn 6 c fe |
| 5 | 571110 | Ecrou h10 |
| 6 | 985230 | Coussinet de semeur spe |
| 7 | 921105 | Axe articulation semeur spe |
| 8 | 916191 | Tube de semeur uc r1 spe so |
| 9 | 916192 | Tube de semeur uc r2 spe so |
| 10 | 964118 | Tube de pression t1 spe |
| 11 | 964119 | Tube de pression t2 spe |
| 12 | 590308 | Goup elastic 6x40 serie ep |
| 13 | 981411 | Ressort de terrage de r1 spe |
| 14 | 981412 | Ressort de terrage de r2 spe |
| 15 | 964121 | Rondelle de terrage spe |
| 16 | 941046 | Biellette de pression spe |
| 17 | 552880 | Vis trcc 8x80 fp 8 8 |
| 18 | 573108 | Rondelle m8 n |
| 19 | 571108 | Ecrou h8 |
| 20 | 916213 | Platine unidisc 2004 g so |
| 21 | 907019 | Support de demarrage |
| 22 | 589407 | Goup elastic 8x35 inox |
| 23 | 963151 | Rondelle calage unidisc |
| 24 | 921085 | Axe de rotation uc |
| 25 | 985027 | Moyeu roulement uc |
| 26 | 711016 | Roulement 3204 2rs1 20x47x20 6 |
| 27 | 574220 | Circlips ext d20 |
| 28 | 985028 | Chapeau unidisc |
| 29 | 980108 | Disque convexe uc |
| 30 | 555652 | Vis fbz m 6x12 inox a2 70 |
| 31 | 571206 | Ecrou h6 zn 6 c fe |
| 32 | 980109 | Rasette unidisc uc g |
| 33 | 573516 | Rondelle secu rip lock m16 zn |
| 34 | 571366 | Ecrou hm 16 zn 6 c fe |
| 35 | 916214 | Platine unidisc 2004 d so |
| 36 | 980110 | Rasette unidisc uc d |
| 37 | 552085 | Vis h 10x35 zn 6 c fe fst |
| 38 | 571460 | Ecrou frein nylon h10 zn 6 c fe |
| 39 | 916127 | Platine unidisc nm g so |
| 40 | 916128 | Platine unidisc nm d so |

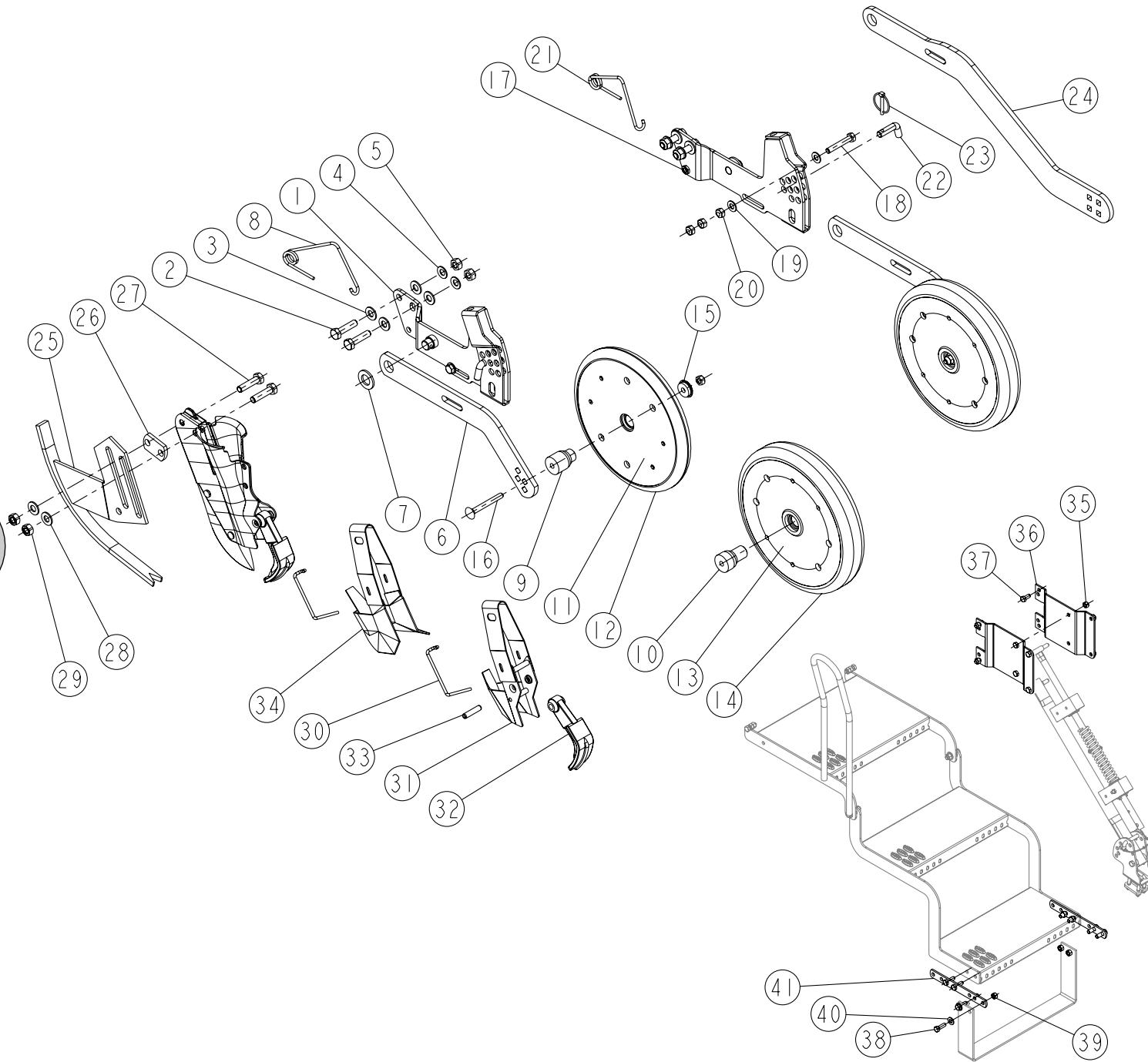
04/RS 04 108 -> ...



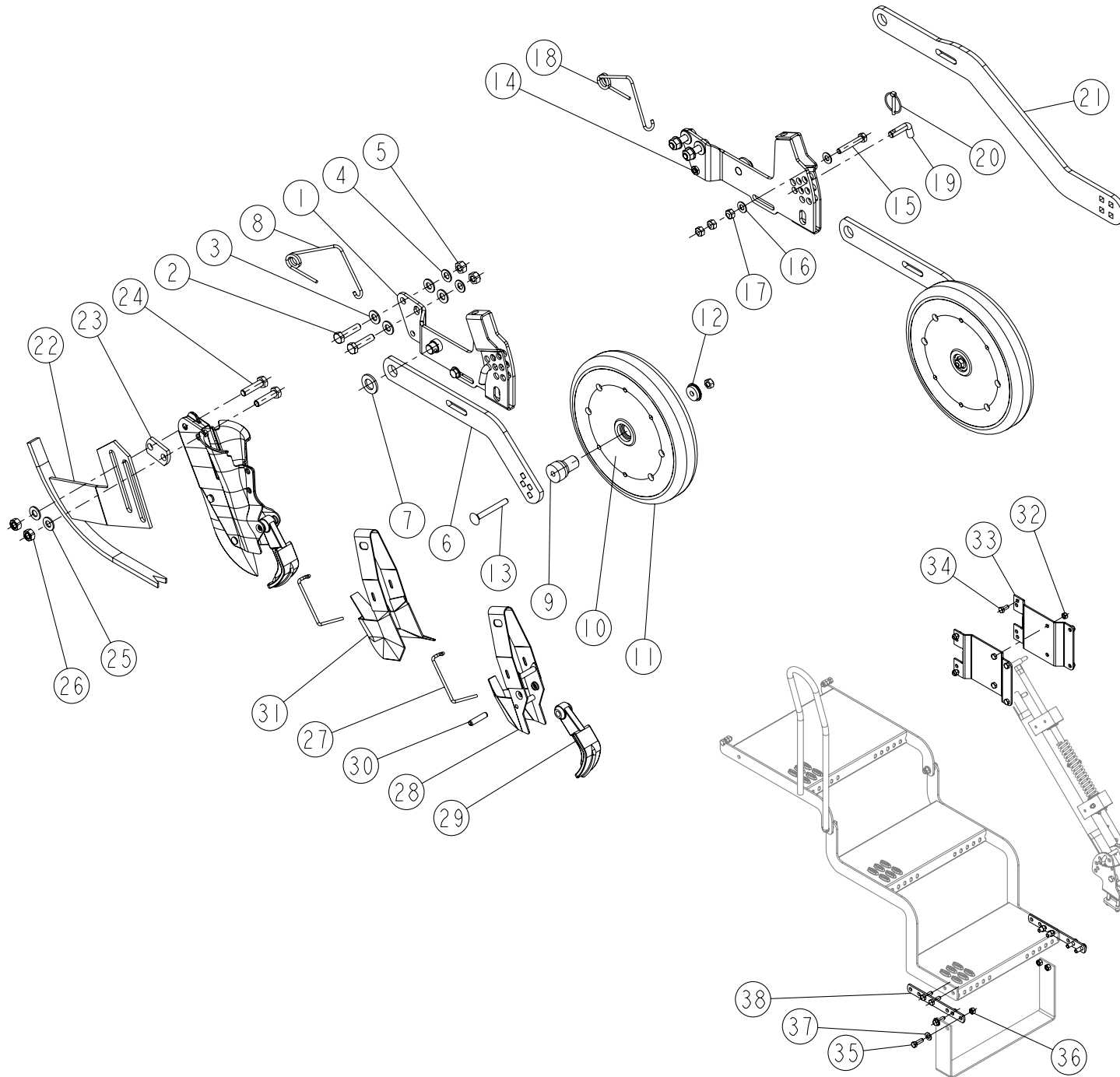
| REP | CODE | DÉSIGNATION |
|-----|--------|---------------------------------|
| 1 | 571110 | Ecrou h10 |
| 2 | 961022 | Adaptation double disque g |
| 3 | 961023 | Adaptation double disque d |
| 4 | 552085 | Vis h 10x35 zn 6 c fe fst |
| 5 | 571460 | Ecrou frein nylon h10 zn 6 c fe |
| 6 | 914145 | Adaptation tuyau dd |
| 7 | 573170 | Rondelle m20 n zn 6 c fe |
| 8 | 590306 | Goup elastic 6x28 serie ep |
| 9 | 590106 | Goup elastic 3 5x28 serie ep |
| 10 | 571458 | Ecrou frein h8 zn 6 c fe |
| 11 | 922112 | Moyeu rallonge mp dd |
| 12 | 553850 | Vis chc 8x50 zn 6 c fe 8 8 |
| 13 | 552075 | Vis h 10x30 bp 90 |
| 14 | 571210 | Ecrou h10 zn 6 c fe |
| 15 | 922113 | Arbre rallonge mp dd |
| 16 | 922114 | Rallonge de butee basse |
| 17 | 925021 | Bague attelage 20 |
| 18 | 553110 | Vis h 20x110 zn 6 c fe fp |
| 19 | 961015 | Attache pare boue |
| 20 | 551680 | Vis h 6x20 zn 6 c fe fp |
| 21 | 573206 | Rondelle l6 n zn 6 c fe |
| 22 | 571206 | Ecrou h6 zn 6 c fe |
| 23 | 907417 | Cache disque |
| 24 | 593270 | Goupille v 5x100 zn 6 c fe |
| 25 | 909579 | Porte disque complet soude |
| 26 | 711000 | Roulement 6204 2rs 20x47x14 |
| 27 | 574320 | Anneau inverse ext d20 |
| 28 | 908360 | Chapeau de disque |
| 29 | 415717 | Bouchon gpn 910 noir |
| 30 | 551662 | Vis h 6x12 zn 6 c fe fst |
| | 571206 | Ecrou h6 zn 6 c fe |
| 31 | 902000 | Disque d350x2 |
| 32 | 901080 | Joint de disque |
| 33 | 905002 | Decrottoir interieur |
| 34 | 573109 | Rondelle m10 n zn 6 c fe |
| | 571110 | Ecrou h10 |



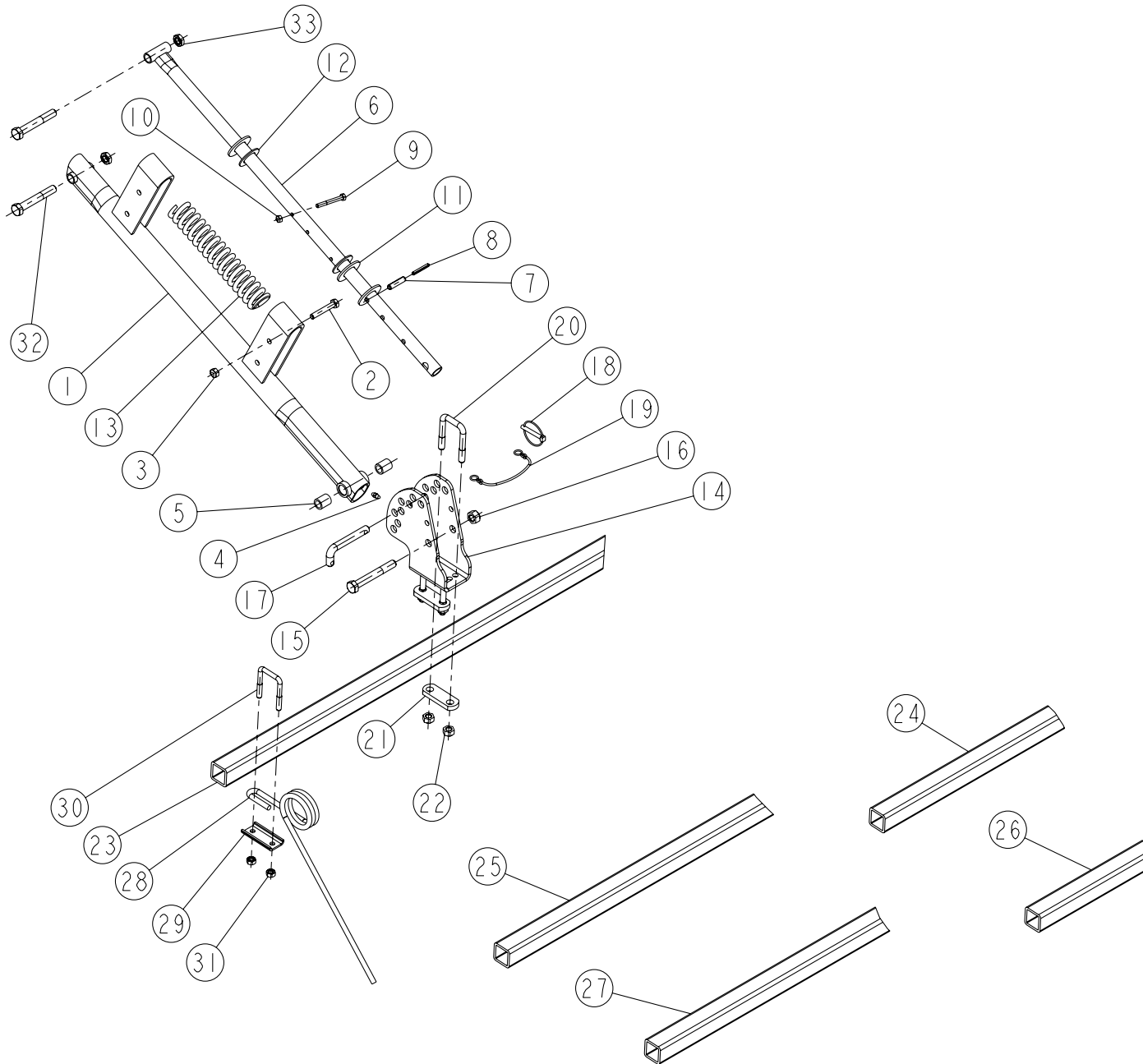
| REP | CODE | DÉSIGNATION |
|-----|--------|---------------------------------|
| 1 | 571110 | Ecrou h10 |
| 2 | 961022 | Adaptation double disque g |
| 3 | 961023 | Adaptation double disque d |
| 4 | 552085 | Vis h 10x35 zn 6 c fe fst |
| 5 | 571460 | Ecrou frein nylon h10 zn 6 c fe |
| 6 | 914145 | Adaptation tuyau dd |
| 7 | 573170 | Rondelle m20 n zn 6 c fe |
| 8 | 590306 | Goup elastic 6x28 serie ep |
| 9 | 590106 | Goup elastic 3 5x28 serie ep |
| 10 | 573109 | Rondelle m10 n zn 6 c fe |
| 11 | 571458 | Ecrou frein h8 zn 6 c fe |
| 12 | 922112 | Moyeu rallonge mp dd |
| 13 | 553850 | Vis chc 8x50 zn 6 c fe 8 8 |
| 14 | 552075 | Vis h 10x30 bp 90 |
| 15 | 571210 | Ecrou h10 zn 6 c fe |
| 16 | 922113 | Arbre rallonge mp dd |
| 17 | 922114 | Rallonge de butee basse |
| 18 | 925021 | Bague attelage 20 |
| 19 | 553110 | Vis h 20x110 zn 6 c fe fp |
| 20 | 961015 | Attache pare boue |
| 21 | 551680 | Vis h 6x20 zn 6 c fe fp |
| 22 | 573206 | Rondelle l6 n zn 6 c fe |
| 23 | 571206 | Ecrou h6 zn 6 c fe |
| 24 | 955122 | Platine adaptation ressort dd |
| 25 | 552080 | Vis h 10x30 zn 6 c fe fp |
| 26 | 907417 | Cache disque |
| 27 | 593270 | Goupille v 5x100 zn 6 c fe |
| 28 | 909579 | Porte disque complet soude |
| 29 | 711000 | Roulement 6204 2rs 20x47x14 |
| 30 | 574320 | Anneau inverse ext d20 |
| 31 | 908360 | Chapeau de disque |
| 32 | 415717 | Bouchon gpn 910 noir |
| 33 | 551662 | Vis h 6x12 zn 6 c fe fst |
| | 571206 | Ecrou h6 zn 6 c fe |
| 34 | 902000 | Disque d350x2 |
| 35 | 901080 | Joint de disque |
| 36 | 905002 | Decrottoir interieur |
| 37 | 573109 | Rondelle m10 n zn 6 c fe |
| | 571110 | Ecrou h10 |



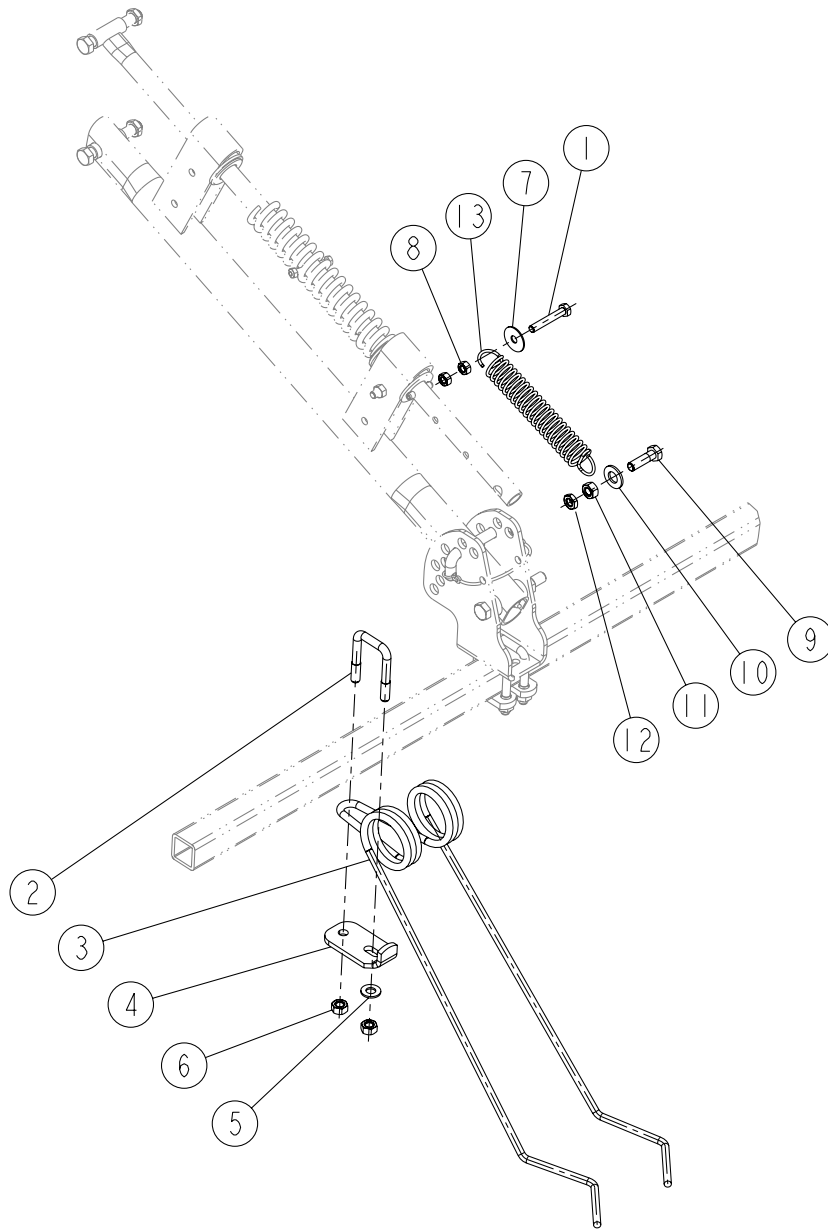
| REP | CODE | DÉSIGNATION |
|-----|--------|---------------------------------|
| 1 | 918275 | Platine jauge soc g so |
| 2 | 552040 | Vis h 10x40 zn 6 c fe fst |
| 3 | 573109 | Rondelle m10 n zn 6 c fe |
| 4 | 573510 | Rondelle conique strie z m10 zn |
| 5 | 571460 | Ecrou frein nylon h10 zn 6 c fe |
| 6 | 940110 | Bras roue jauge |
| 7 | 573166 | Rondelle m16 n zn 6 c fe |
| 8 | 981607 | Ressort epingle g |
| 9 | 922097 | Moyeu roue jauge |
| 10 | 923084 | Moyeu roue jauge large |
| 11 | 980408 | Roue jauge |
| 12 | 720780 | Bandage 250x25l |
| 13 | 980412 | Roue jauge large |
| 14 | 720781 | Bandage 250x42l |
| 15 | 966019 | Rondelle flasque |
| 16 | 558970 | Vis trcc 8x70 inox a2 70 |
| 17 | 918276 | Platine jauge soc d so |
| 18 | 551900 | Vis h 8x50 zn 6 c fe fst |
| 19 | 573158 | Rondelle m8 n zn 6 c fe |
| 20 | 571408 | Ecrou frein nylon h8 inox a2 70 |
| 21 | 981608 | Ressort epingle d |
| 22 | 963158 | Poignee de roue jauge |
| 23 | 594305 | Goupille de securite rubig d4-7 |
| 24 | 940156 | Bras roue jauge ext |
| 25 | 918192 | Patin limiteur special g so |
| 26 | 963119 | Cale de tige ep 6 |
| 27 | 552040 | Vis h 10x40 zn 6 c fe fst |
| 28 | 573109 | Rondelle m10 n zn 6 c fe |
| 29 | 571210 | Ecrou h10 zn 6 c fe |
| 30 | 981400 | Agrafe de soc |
| 31 | 919066 | Soc a jupe so |
| 32 | 907019 | Support de demarrage |
| 33 | 589407 | Goup elastic 8x35 inox |
| 34 | 919007 | Soc diffuseur uniband so |
| 35 | 571462 | Ecrou frein h12 zn 6 c fe |
| 36 | 951496 | Rallonge de bras de herse nm |
| 37 | 552276 | Vis h 12x25 zn 6 c fe 8 8 fst |
| 38 | 552285 | Vis h 12x35 zn 6 c fe fst |
| 39 | 571212 | Ecrou h12 zn 6 c fe |
| 40 | 573112 | Rondelle m12 n zn 6 c fe |
| 41 | 967117 | Platine accouplement escalier |



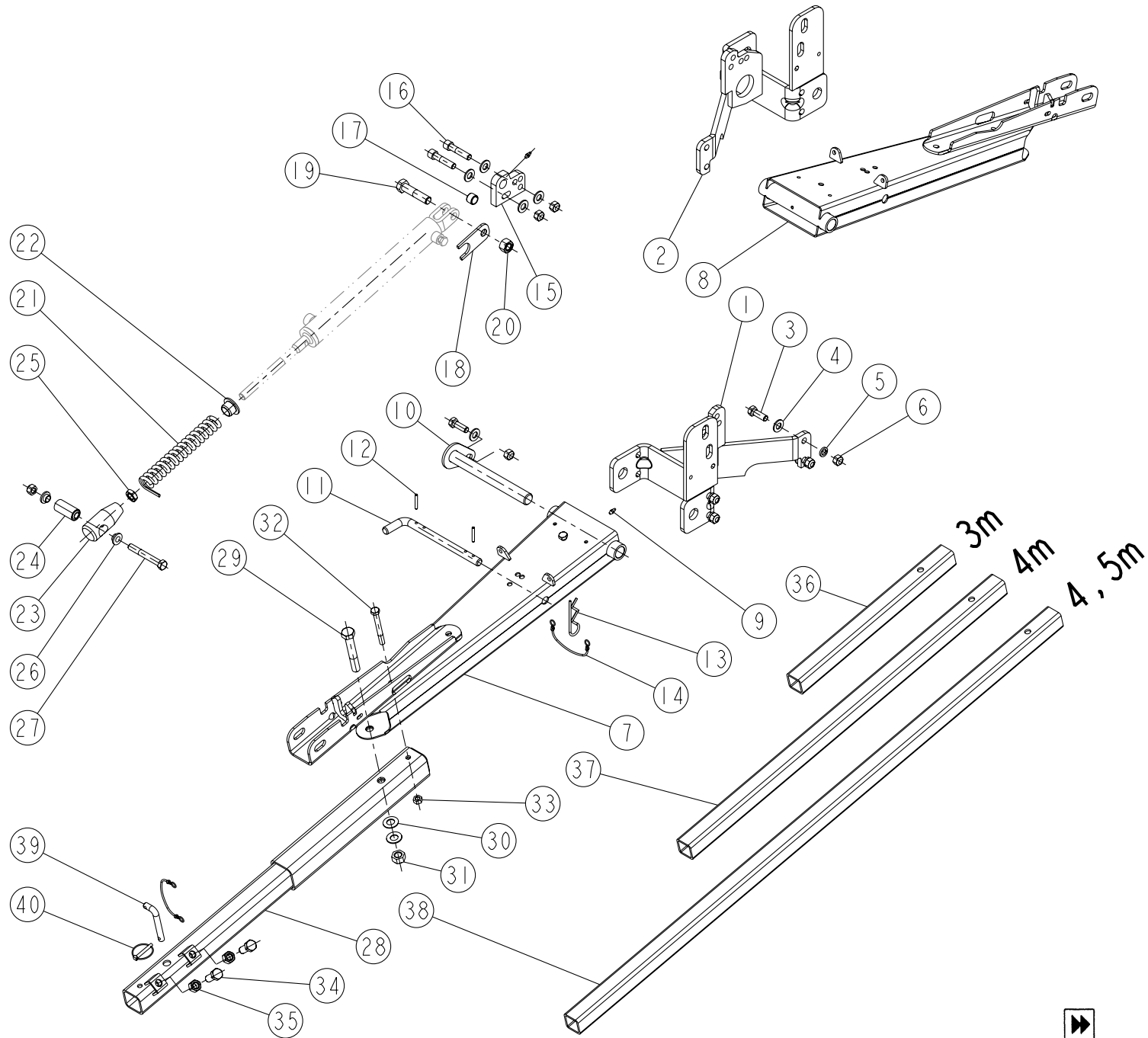
| REP | CODE | DÉSIGNATION |
|-----|--------|---------------------------------|
| 1 | 918275 | Platine jauge soc g so |
| 2 | 552040 | Vis h 10x40 zn 6 c fe fst |
| 3 | 573109 | Rondelle m10 n zn 6 c fe |
| 4 | 573510 | Rondelle conique strie z m10 zn |
| 5 | 571460 | Ecrou frein nylon h10 zn 6 c fe |
| 6 | 940110 | Bras roue jauge |
| 7 | 573166 | Rondelle m16 n zn 6 c fe |
| 8 | 981607 | Ressort epingle g |
| 9 | 923084 | Moyeu roue jauge large |
| 10 | 980412 | Roue jauge large |
| 11 | 720781 | Bandage 250x42l |
| 12 | 966019 | Rondelle flasque |
| 13 | 558970 | Vis trcc 8x70 inox a2 70 |
| 14 | 918276 | Platine jauge soc d so |
| 15 | 551900 | Vis h 8x50 zn 6 c fe fst |
| 16 | 573158 | Rondelle m8 n zn 6 c fe |
| 17 | 571408 | Ecrou frein nylon h8 inox a2 70 |
| 18 | 981608 | Ressort epingle d |
| 19 | 963158 | Poignee de roue jauge |
| 20 | 594305 | Goupille de securite rubig d4-7 |
| 21 | 940156 | Bras roue jauge ext |
| 22 | 918181 | Patin limiteur central g so |
| 23 | 963119 | Cale de tige ep 6 |
| 24 | 552040 | Vis h 10x40 zn 6 c fe fst |
| 25 | 573109 | Rondelle m10 n zn 6 c fe |
| 26 | 571210 | Ecrou h10 zn 6 c fe |
| 27 | 981400 | Agrafe de soc |
| 28 | 919066 | Soc a jupe so |
| 29 | 907019 | Support de demarrage |
| 30 | 589407 | Goup elastic 8x35 inox |
| 31 | 919007 | Soc diffuseur uniband so |
| 32 | 571462 | Ecrou frein h12 zn 6 c fe |
| 33 | 951496 | Rallonge de bras de herse nm |
| 34 | 552276 | Vis h 12x25 zn 6 c fe 8 8 fst |
| 35 | 552285 | Vis h 12x35 zn 6 c fe fst |
| 36 | 571212 | Ecrou h12 zn 6 c fe |
| 37 | 573112 | Rondelle m12 n zn 6 c fe |
| 38 | 967117 | Platine accouplement escalier |



| REP | CODE | DÉSIGNATION |
|-----|--------|---------------------------------|
| 1 | 916092 | Bras de herse so |
| 2 | 551900 | Vis h 8x50 zn 6 c fe fst |
| 3 | 571458 | Ecrou frein h8 zn 6 c fe |
| 4 | 719001 | Graisseur m6x100 droit |
| 5 | 901553 | Galet de variateur |
| 6 | 916093 | Tirant superieur de herse so |
| 7 | 589407 | Goup elastic 8x35 inox |
| 8 | 589207 | Goup elastic 5x35 inox |
| 9 | 551650 | Vis h 6x50 zn bcr fp |
| 10 | 571406 | Ecrou frein nylon h6 zn 6 c fe |
| 11 | 573172 | Rondelle m22 n zn 6 c fe ep3 |
| 12 | 901549 | Rondelle de variateur |
| 13 | 909065 | Ressort de terrage |
| 14 | 951264 | Platine de reglage herse |
| 15 | 552299 | Vis h 12x90 zn 6 c fe |
| 16 | 571462 | Ecrou frein h12 zn 6 c fe |
| 17 | 927002 | Broche d12 |
| 18 | 594306 | Goup d6 clips zn 6 c fe s37 |
| 19 | 715010 | Lien noir s29150 ref 715010 |
| 20 | 962034 | Bride longue diam 10 |
| 21 | 952112 | Cale de herse |
| 22 | 571460 | Ecrou frein nylon h10 zn 6 c fe |
| 23 | 958034 | Barre porte dent 3m |
| 24 | 958003 | Barre porte dent courte ct 4m |
| 25 | 958002 | Barre porte dent longue ct 4m |
| 26 | 921081 | Barre de terrage 4m50 |
| 27 | 958038 | Barre porte dent longue 4m50 |
| 28 | 980010 | Dent de herse |
| 29 | 906005 | Bride de dent souple |
| 30 | 962076 | Bride de dent de herse |
| 31 | 571108 | Ecrou h8 |
| 32 | 552298 | Vis h 12x80 zn 6 c fe fp |
| 33 | 571362 | Ecrou hm 12 zn 6 c fe |

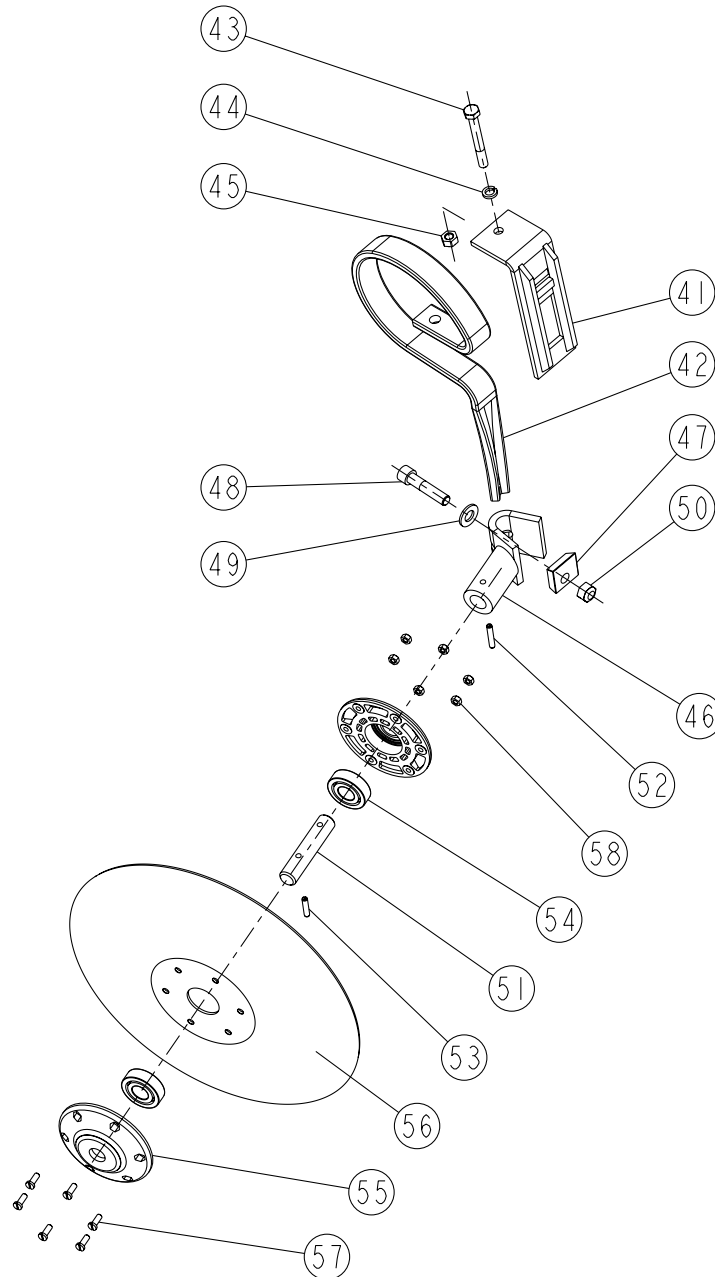


| REP | CODE | DÉSIGNATION |
|-----|--------|---------------------------|
| 1 | 551900 | Vis h 8x50 zn 6 c fe fst |
| 2 | 962034 | Bride longue diam 10 |
| 3 | 980011 | Dent de herse double |
| 4 | 962075 | Bride de dent double |
| 5 | 573109 | Rondelle m10 n zn 6 c fe |
| 6 | 571110 | Ecrou h10 |
| 7 | 573258 | Rondelle I18 n zn 6 c fe |
| 8 | 571208 | Ecrou h8 zn 6 c fe |
| 9 | 552085 | Vis h 10x35 zn 6 c fe fst |
| 10 | 573112 | Rondelle m12 n zn 6 c fe |
| 11 | 571210 | Ecrou h10 zn 6 c fe |
| 12 | 571360 | Ecrou hm 10 zn 6 c fe |
| 13 | 909095 | Ressort de traceur |

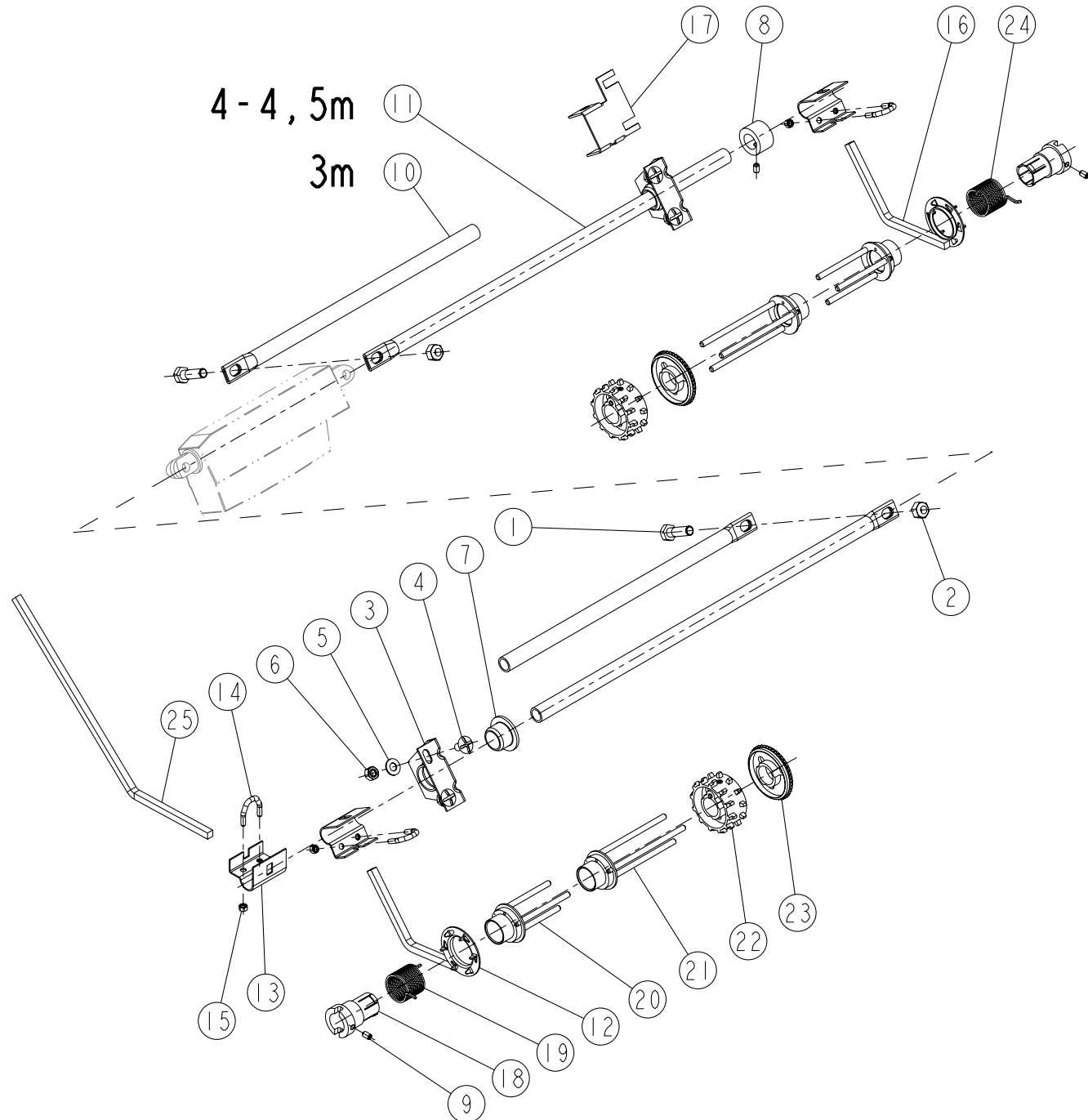


| REP | CODE | DÉSIGNATION |
|-----|--------|---------------------------------|
| 1 | 918280 | Chape traceur hydro g so |
| 2 | 918279 | Chape traceur hydro d so |
| 3 | 552285 | Vis h 12x35 zn 6 c fe fst |
| 4 | 573112 | Rondelle m12 n zn 6 c fe |
| 5 | 573762 | Rondelle w d12 zn 6 c fe |
| 6 | 571462 | Ecrou frein h12 zn 6 c fe |
| 7 | 916138 | Embase traceur hydro so |
| 8 | 916152 | Embase traceur d hydro so |
| 9 | 719001 | Graisneur m6x100 droit |
| 10 | 914119 | Axe traceur hydro so |
| 11 | 920027 | Pivot verrou traceur hydro |
| 12 | 589207 | Goup elastic 5x35 inox |
| 13 | 592203 | Goupille beta d4 doub enr |
| 14 | 715010 | Lien noir s29150 ref 715010 |
| 15 | 951315 | Tenon de verin |
| 16 | 554250 | Vis chc 12x55 classe 12 9 |
| 17 | 590908 | Goup elastique 20x14 |
| 18 | 962071 | Verrou de traceur ps |
| 19 | 552720 | Vis h 16x70 zn 6 c fe fp |
| 20 | 571216 | Ecrou h16 zn 6 c fe |
| 21 | 981302 | Ressort amortisseur |
| 22 | 985009 | Bague de palier guidage |
| 23 | 924042 | Chape tige verin traceur |
| 24 | 793702 | Articulation elastique 12 25 54 |
| 25 | 571366 | Ecrou hm 16 zn 6 c fe |
| 26 | 925070 | Bague entretoise |
| 27 | 552299 | Vis h 12x90 zn 6 c fe |
| 28 | 917169 | Tube traceur hydr so |
| 29 | 552733 | Vis h 16x100 zn 6 c fe fp |
| 30 | 573406 | Rond belleville d16-3x31-5x1-75 |
| 31 | 571416 | Ecrou frein nylon h16 zn 6 c fe |
| 32 | 552135 | Vis h 10x90 zn 6 c fe fp 6-8 |
| 33 | 571460 | Ecrou frein nylon h10 zn 6 c fe |
| 34 | 552440 | Vis h 14x40 zn 6 c fe 8 8 fst |
| 35 | 571214 | Ecrou h14 zn 6 c fe |
| 36 | 940120 | Bras secondaire court |
| 37 | 940118 | Bras secondaire de traceur |
| 38 | 940119 | Bras secondaire long |
| 39 | 927002 | Broche d12 |
| 40 | 594306 | Goup d6 clips zn 6 c fe s37 |

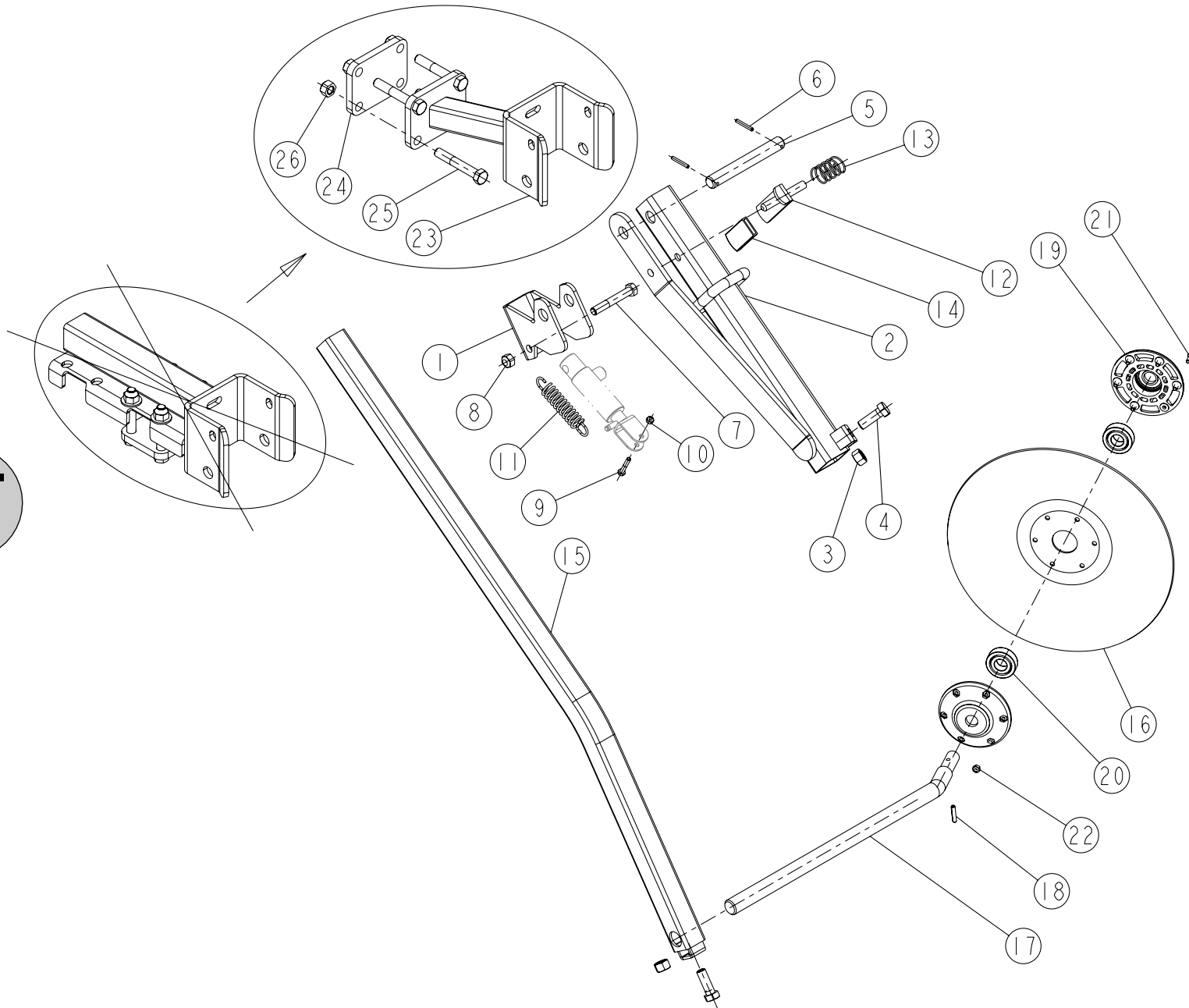




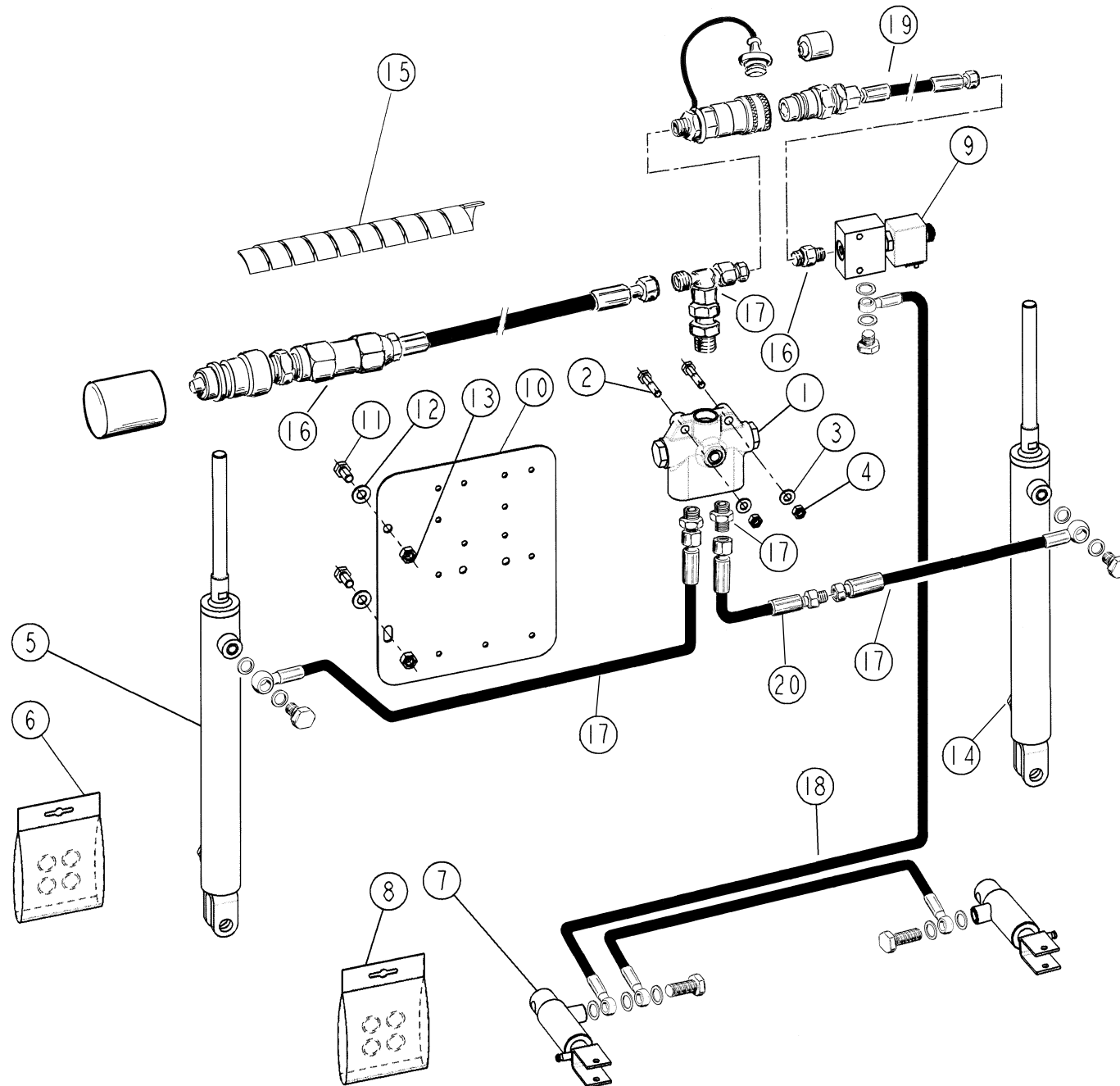
| REP | CODE | DÉSIGNATION |
|-----|--------|---------------------------------|
| 41 | 916049 | Semelle de lame sp so |
| 42 | 980003 | Dent d escamotage |
| 43 | 552130 | Vis h 10x80 zn 6 c fe fp |
| 44 | 573760 | Rondelle w d10 zn 6 c fe |
| 45 | 571460 | Ecrou frein nylon h10 zn 6 c fe |
| 46 | 914011 | Chape orientation ct so |
| 47 | 963025 | Cale orientation ct |
| 48 | 554250 | Vis chc 12x55 classe 12 9 |
| 49 | 573112 | Rondelle m12 n zn 6 c fe |
| 50 | 571462 | Ecrou frein h12 zn 6 c fe |
| 51 | 921017 | Axe de traceur gc |
| 52 | 590307 | Goup elastic 6x35 serie ep |
| 53 | 590306 | Goup elastic 6x28 serie ep |
| 54 | 711000 | Roulement 6204 2rs 20x47x14 |
| 55 | 985029 | Moyelle roulement traceur |
| 56 | 980102 | Disque de traceur |
| 57 | 556665 | Vis tc fend m6x16 zn 6 c fe 4 8 |
| 58 | 571406 | Ecrou frein nylon h6 zn 6 c fe |



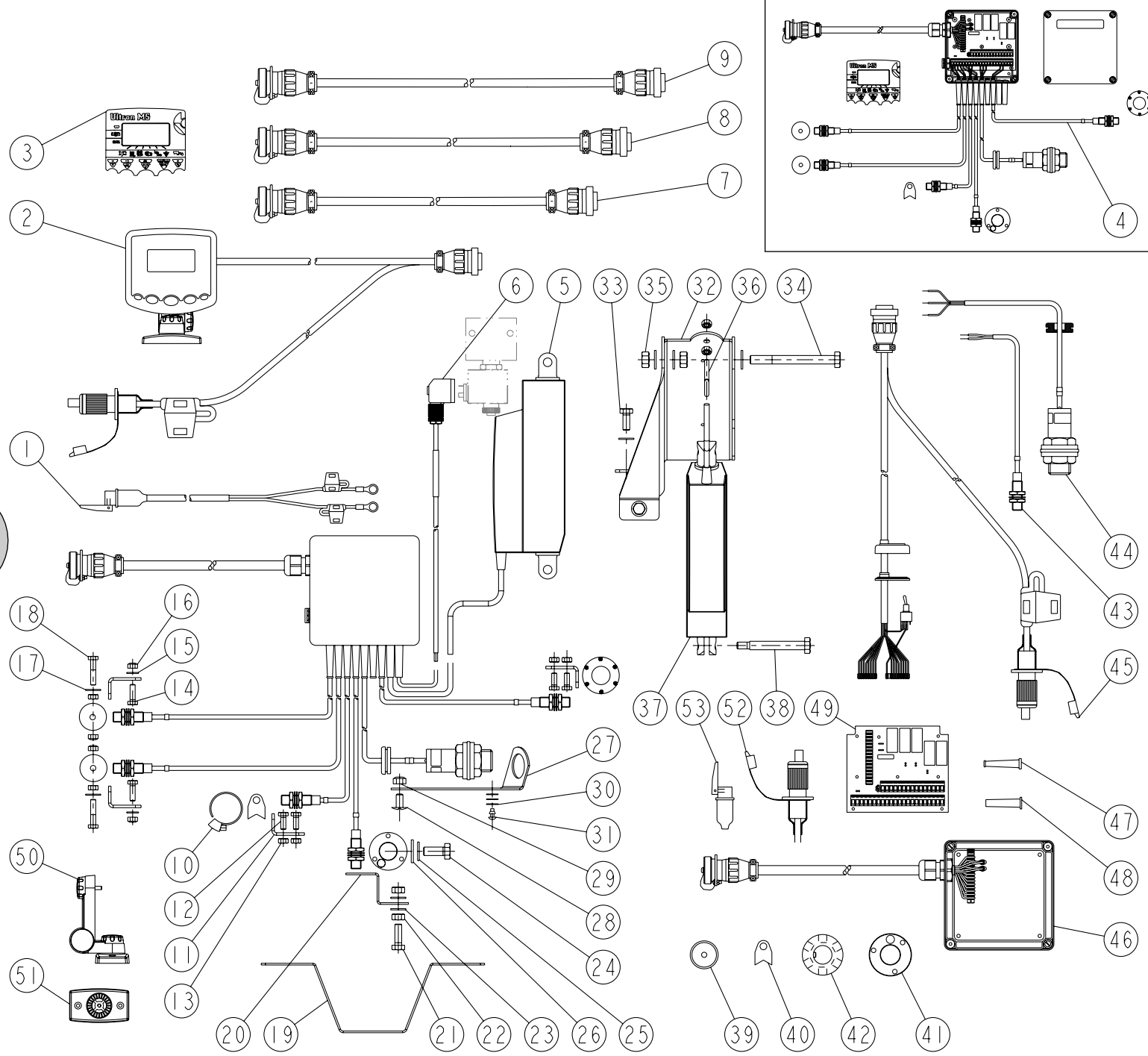
| REP | CODE | DÉSIGNATION |
|-----|--------|---------------------------------|
| 1 | 552085 | Vis h 10x35 zn 6 c fe fst |
| 2 | 571460 | Ecrou frein nylon h10 zn 6 c fe |
| 3 | 901473 | Palier d arbre d ergot |
| 4 | 535853 | Vis trl 8x16 zn 6 c fe |
| 5 | 573158 | Rondelle m8 n zn 6 c fe |
| 6 | 571208 | Ecrou h8 zn 6 c fe |
| 7 | 985009 | Bague de palier guidage |
| 8 | 901571 | Butee de reglage tramlines |
| 9 | 554610 | Vis sthc 6x10 bout cuvette |
| 10 | 941050 | Barre de debrayage sym mp |
| 11 | 941052 | Barre de debrayage sym mp4 |
| 12 | 918147 | Flasque debrayage sp so |
| 13 | 906168 | Etrier de reperage |
| 14 | 901578 | Bride d etrier |
| 15 | 571205 | Ecrou h5 zn 6 c fe |
| 16 | 918335 | Flasque de debrayage droit so |
| 17 | 963111 | Arret fourchette assymetrique |
| 18 | 923067 | Recepteur tramlines |
| 19 | 981405 | Ressort d embrayage |
| 20 | 914101 | Plateau sp so |
| 21 | 914115 | Plateau 3rgs so |
| 22 | 911020 | Roue a ergots tramline as |
| 23 | 985022 | Roue fine tramlines sp |
| 24 | 981410 | Ressort d embrayage droit |
| 25 | 902296 | Indicateur de reperage |



| REP | CODE | DÉSIGNATION |
|-----|--------|---------------------------------|
| 1 | 963050 | Chape de verin de jar |
| 2 | 916044 | Jalonneur so |
| 3 | 571214 | Ecrou h14 zn 6 c fe |
| 4 | 552440 | Vis h 14x40 zn 6 c fe 8 8 fst |
| 5 | 920010 | Broche de jar |
| 6 | 590207 | Goup elastic 5x35 serie ep |
| 7 | 552298 | Vis h 12x80 zn 6 c fe fp |
| 8 | 571462 | Ecrou frein h12 zn 6 c fe |
| 9 | 551685 | Vis h 6x35 zn 6 c fe |
| 10 | 571406 | Ecrou frein nylon h6 zn 6 c fe |
| 11 | 908010 | Ressort d ouverture |
| 12 | 918139 | Verrou de jar so |
| 13 | 909025 | Ressort embrayage |
| 14 | 415750 | Poignee k 28x5x60 noir |
| 15 | 916043 | Bras de jalonneur so |
| 16 | 980102 | Disque de traceur |
| 17 | 921063 | Axe coude |
| 18 | 590306 | Goup elastic 6x28 serie ep |
| 19 | 985029 | Moyeu roulement traceur |
| 20 | 711000 | Roulement 6204 2rs 20x47x14 |
| 21 | 556665 | Vis tc fend m6x16 zn 6 c fe 4 8 |
| 22 | 571406 | Ecrou frein nylon h6 zn 6 c fe |
| 23 | 918402 | Chape de jalonneur tc so |
| 24 | 962144 | Contre chape jalonneur spi2 |
| 25 | 552540 | Vis h 14x90 zn 6 c fe |
| 26 | 571414 | Ecrou frein nylon h14 zn 6 c fe |



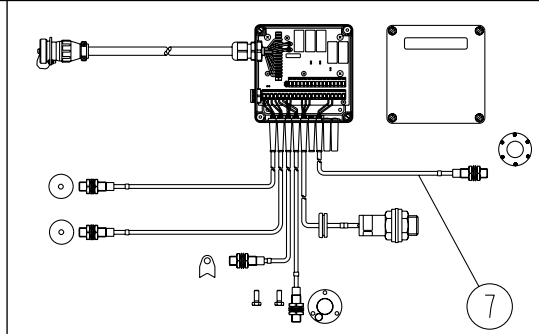
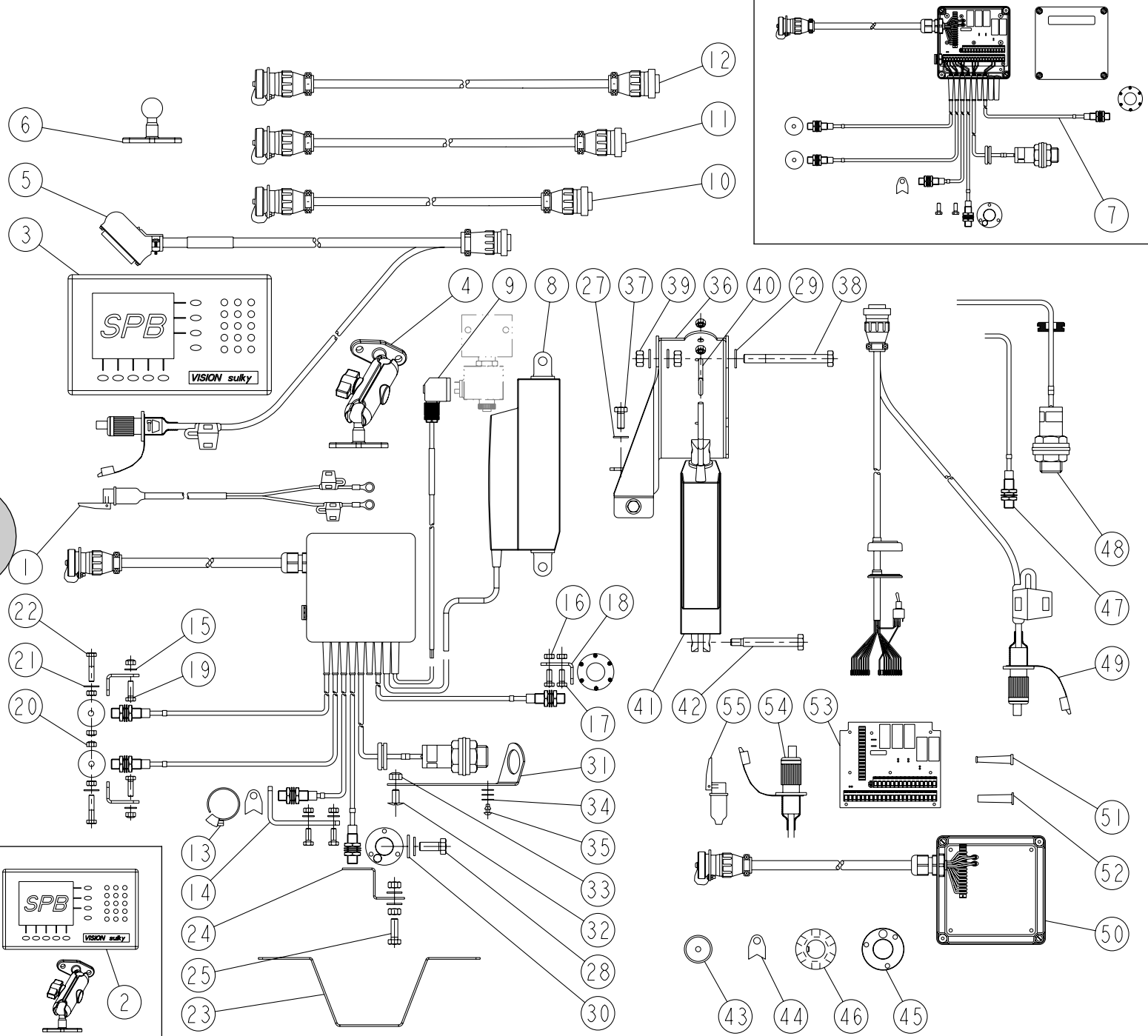
| REP | CODE | DÉSIGNATION |
|-----|--------|--------------------------------|
| 1 | 983901 | Inverseur hydraulique |
| 2 | 551890 | Vis h 8x40 zn 6 c fe |
| 3 | 573158 | Rondelle m8 n zn 6 c fe |
| 4 | 571208 | Ecrou h8 zn 6 c fe |
| 5 | 982307 | Verin tirant 35x20 |
| 6 | 720897 | Pochette joints verin s 982307 |
| 7 | 908442 | Verin de debrayage jar |
| 8 | 720516 | Pochette joints verin 908442 |
| 9 | 795522 | Electrovanne |
| 10 | 951429 | Support boite connexion wd |
| 11 | 552070 | Vis h 10x20 zn 6 c fe |
| 12 | 573109 | Rondelle m10 n zn 6 c fe |
| 13 | 571210 | Ecrou h10 zn 6 c fe |
| 14 | 720847 | Reniflard 1-4 gaz |
| 15 | 879200 | Gaine spiralee sgx-32 au m |
| 16 | 983003 | Kit hydraulique |
| 17 | 983032 | Kit traceurs lateraux |
| 18 | 983011 | Kit jalonneurs ar |
| 19 | 983044 | Kit hydr rallonge mp |
| 20 | 909886 | Rallonge hydraulique 2m |



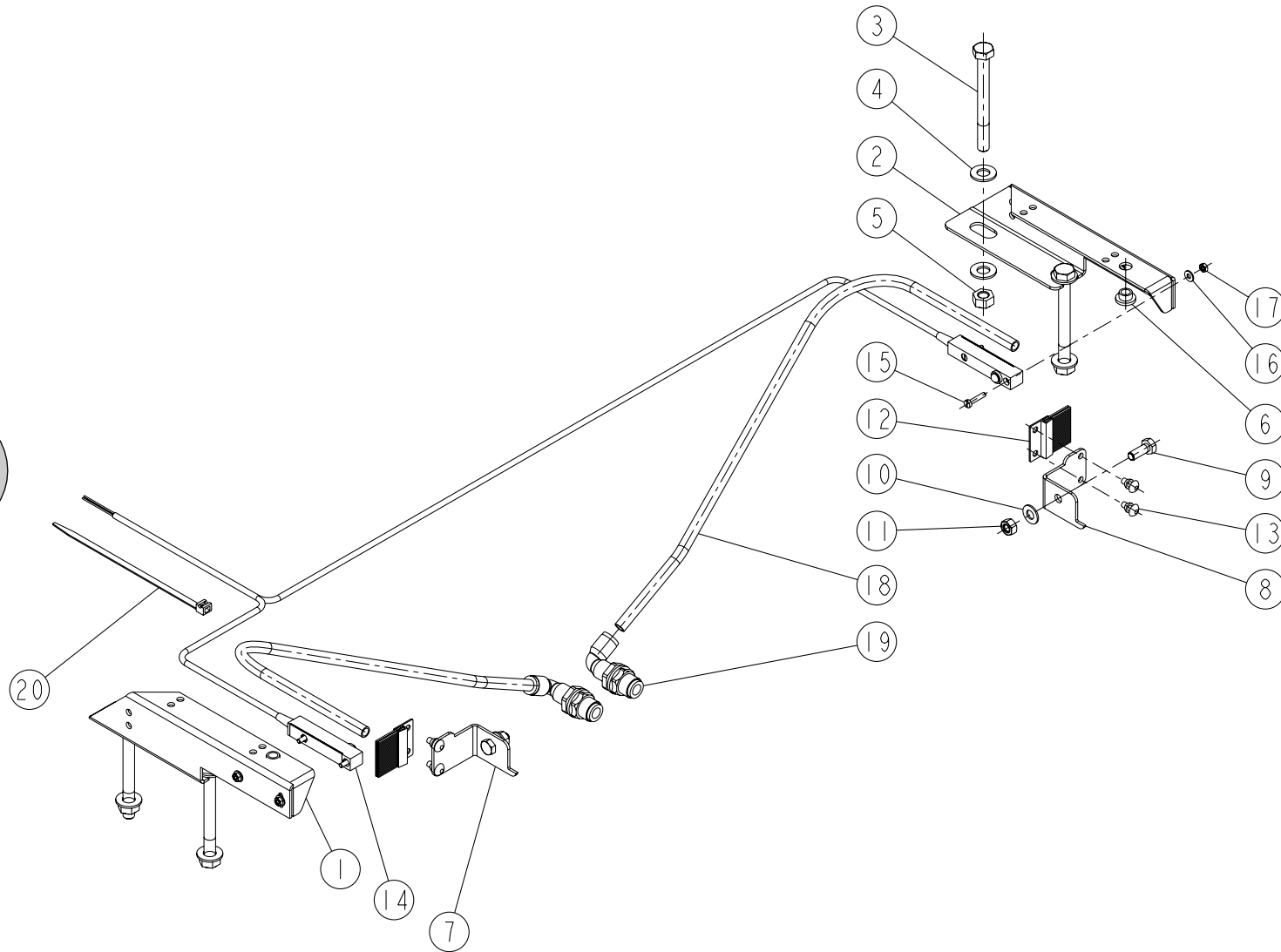
| REP | CODE | DÉSIGNATION |
|-----|--------|---------------------------------|
| 1 | 983712 | Faisceau 12 volts cobo |
| 2 | 983632 | Console ultron-ms |
| 3 | 983930 | Facade ultron-ms |
| 4 | 983638 | Faisceau ultron tl 2ils turbine |
| 5 | 982502 | Verin électrique tramlines |
| 6 | 983642 | Connecteur électrovalve wd |
| 7 | 983619 | Rallonge ultron 4m 16 voies |
| 8 | 983620 | Rallonge ultron 6m 16 voies |
| 9 | 983621 | Rallonge ultron 9m 16 voies |
| 10 | 799006 | Collier serflex 24x35 minus |
| 11 | 962016 | Equerre de toit |
| 12 | 551666 | Vis h 6x16 zn 6 c fe 8 8 fst |
| 13 | 571206 | Ecrou h6 zn 6 c fe |
| 14 | 551680 | Vis h 6x20 zn 6 c fe fp |
| 15 | 573107 | Rondelle m6 n zn 6 c fe |
| 16 | 571406 | Ecrou frein nylon h6 zn 6 c fe |
| 17 | 573206 | Rondelle l6 n zn 6 c fe |
| 18 | 551684 | Vis h 6x30 zn 6 c fe fp |
| 19 | 951401 | Support capteur turbine3 hydr |
| 20 | 962143 | Support capteur turbine3 meca |
| 21 | 551875 | Vis h 8x25 zn 6 c fe fp |
| 22 | 571208 | Ecrou h8 zn 6 c fe |
| 23 | 573158 | Rondelle m8 n zn 6 c fe |
| 24 | 552076 | Vis h 10x25 zn 6 c fe fst |
| 25 | 573109 | Rondelle m10 n zn 6 c fe |
| 26 | 573112 | Rondelle m12 n zn 6 c fe |
| 27 | 942041 | Equerre support jauge |
| 28 | 535853 | Vis trl 8x16 zn 6 c fe |
| 29 | 571458 | Ecrou frein h8 zn 6 c fe |
| 30 | 573804 | Rondelle l4 n inox a2 70 |
| 31 | 598041 | Rivet aveugle 4x10 alu |
| 32 | 951287 | Support verin linak variateur |
| 33 | 551870 | Vis h 8x20 zn 6 c fe 8 8 fst |
| 34 | 552140 | Vis h 10x100 zn 6 c fe 8 8 fp |
| 35 | 571210 | Ecrou h10 zn 6 c fe |
| 36 | 599056 | Vis a oeillet m 6 x 40 |
| 37 | 982501 | Verin électrique dpb |
| 38 | 921089 | Broche verin linack variateur |
| 39 | 983914 | Aimant |
| 40 | 983915 | Aimant a collier |
| 41 | 720269 | Aimant de turbine |
| 42 | 983916 | Aimant de distribution 6 plots |
| 43 | 983912 | Capteur ils |
| 44 | 983917 | Capteur de niveau |
| 45 | 720822 | Cable info console ultron-ms |
| 46 | 720823 | Cable info ultron boîte con nue |
| 47 | 720826 | Passe fil étroit ultron-ms |
| 48 | 720825 | Passe fil large ultron-ms |
| 49 | 720824 | Circuit imprimé ultron |
| 50 | 720821 | Kit support console ultron-ms |
| 51 | 720873 | Socle support console ultron-ms |
| 52 | 720855 | Prise mâle 12v cobo |
| 53 | 720854 | Prise femelle 12v cobo |

RS

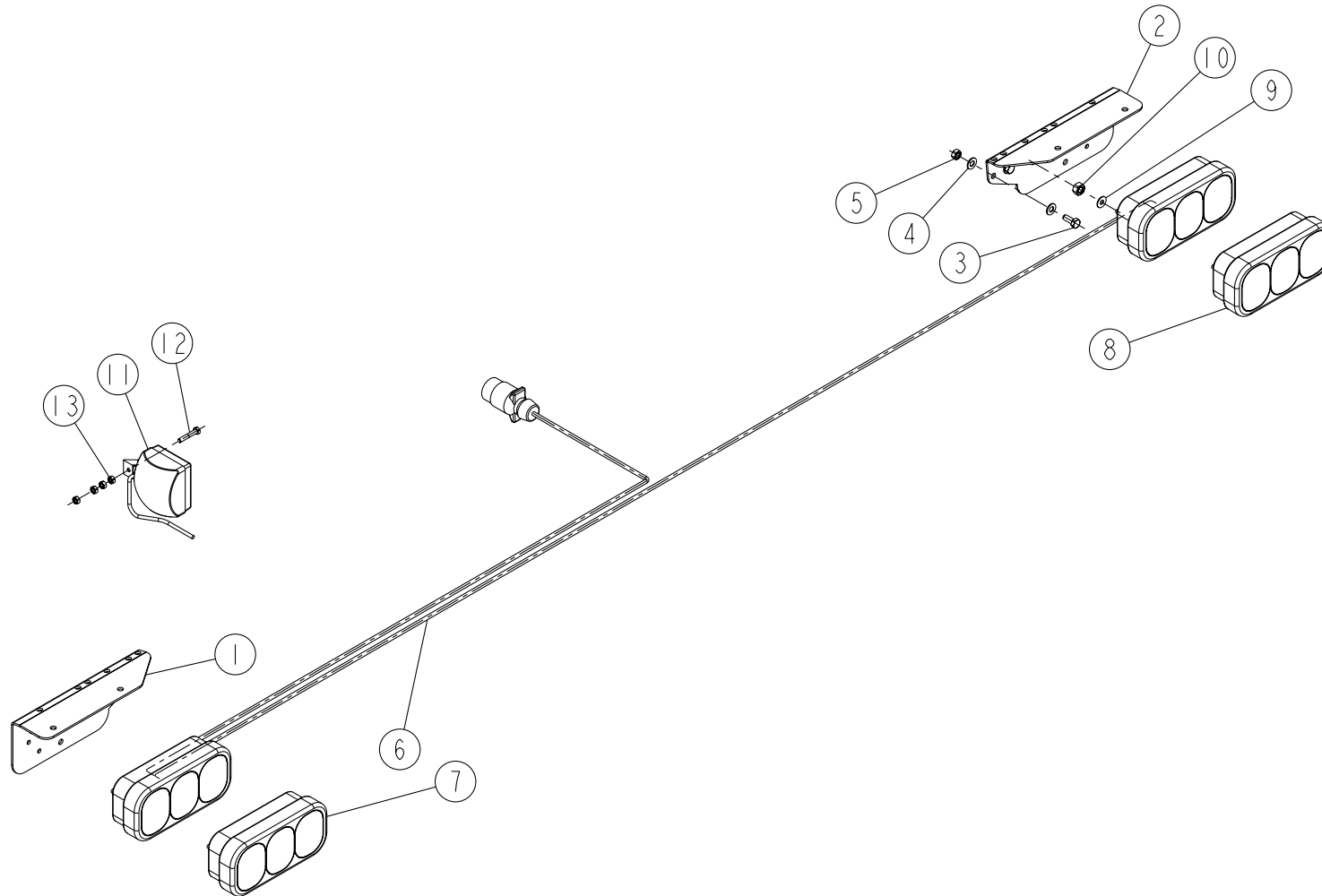
K5-00



| REP | CODE | DÉSIGNATION |
|-----|--------|---------------------------------|
| 1 | 983712 | Faisceau 12 volts cobo |
| 2 | 983709 | Console vision spb mo |
| 3 | 720881 | Console vision spb |
| 4 | 720309 | Kit support console vision |
| 5 | 983644 | Faisceau vision semoir-console |
| 6 | 983654 | Rotule console vision d25 nm |
| 7 | 983638 | Faisceau ultron tl 2ils turbine |
| 8 | 982502 | Verin électrique tramlines |
| 9 | 983642 | Connecteur electrovalve wd |
| 10 | 983619 | Rallonge ultron 4m 16 voies |
| 11 | 983620 | Rallonge ultron 6m 16 voies |
| 12 | 983621 | Rallonge ultron 9m 16 voies |
| 13 | 799006 | Collier serflex 24x35 minus |
| 14 | 964066 | Support contact compteur |
| 15 | 573107 | Rondelle m6 n zn 6 c fe |
| 16 | 571206 | Ecrou h6 zn 6 c fe |
| 17 | 551666 | Vis h 6x16 zn 6 c fe 8 8 fst |
| 18 | 962016 | Equerre de toit |
| 19 | 551680 | Vis h 6x20 zn 6 c fe fp |
| 20 | 571406 | Ecrou frein nylon h6 zn 6 c fe |
| 21 | 573206 | Rondelle 16 n zn 6 c fe |
| 22 | 551684 | Vis h 6x30 zn 6 c fe fp |
| 23 | 951401 | Support capteur turbine3 hydr |
| 24 | 962143 | Support capteur turbine3 meca |
| 25 | 551875 | Vis h 8x25 zn 6 c fe fp |
| 26 | 571208 | Ecrou h8 zn 6 c fe |
| 27 | 573158 | Rondelle m8 n zn 6 c fe |
| 28 | 552076 | Vis h 10x25 zn 6 c fe fst |
| 29 | 573109 | Rondelle m10 n zn 6 c fe |
| 30 | 573112 | Rondelle m12 n zn 6 c fe |
| 31 | 942041 | Equerre support jauge |
| 32 | 535853 | Vis trl 8x16 zn 6 c fe |
| 33 | 571458 | Ecrou frein h8 zn 6 c fe |
| 34 | 573804 | Rondelle 14 n inox a2 70 |
| 35 | 598041 | Rivet aveugle 4x10 alu |
| 36 | 951287 | Support verin linak variateur |
| 37 | 551870 | Vis h 8x20 zn 6 c fe 8 8 fst |
| 38 | 552140 | Vis h 10x100 zn 6 c fe 8 8 fp |
| 39 | 571210 | Ecrou h10 zn 6 c fe |
| 40 | 599056 | Vis a oeillet m 6 x 40 |
| 41 | 982501 | Verin électrique dpb |
| 42 | 921089 | Broche verin linack variateur |
| 43 | 983914 | Aimant |
| 44 | 983915 | Aimant a collier |
| 45 | 720269 | Aimant de turbine |
| 46 | 983916 | Aimant de distribution 6 plots |
| 47 | 983912 | Capteur ils |
| 48 | 983917 | Capteur de niveau |
| 49 | 720822 | Cable info console ultron-ms |
| 50 | 720823 | Cable info ultron boite con nue |
| 51 | 720826 | Passe fil étroit ultron-ms |
| 52 | 720825 | Passe fil large ultron-ms |
| 53 | 720824 | Circuit imprime ultron |
| 54 | 720855 | Prise male 12v cobo |
| 55 | 720854 | Prise femelle 12v cobo |

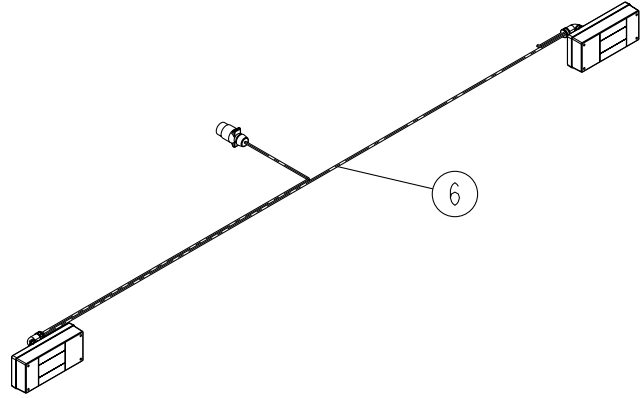


| REP | CODE | DÉSIGNATION |
|-----|--------|---------------------------------|
| 1 | 962152 | Support cellule g rs |
| 2 | 962153 | Support cellule d rs |
| 3 | 551930 | Vis h 8x80 zn 6 c fe 8 8 fp |
| 4 | 573158 | Rondelle m8 n zn 6 c fe |
| 5 | 571458 | Ecrou frein h8 zn 6 c fe |
| 6 | 415716 | Bouchon d9 gpn 300 f041 nat |
| 7 | 967146 | Support brosse rs g |
| 8 | 967147 | Support brosse rs d |
| 9 | 551666 | Vis h 6x16 zn 6 c fe 8 8 fst |
| 10 | 573107 | Rondelle m6 n zn 6 c fe |
| 11 | 571206 | Ecrou h6 zn 6 c fe |
| 12 | 987215 | Brosse cellule rs |
| 13 | 598041 | Rivet aveugle 4x10 alu |
| 14 | 983927 | Capteur detection bouchage |
| 15 | 556365 | Vis tc fend m3x15 zn 6 c fe 4 8 |
| 16 | 573153 | Rondelle m3 n zn bcr |
| 17 | 571203 | Ecrou h3 zn 6 c fe |
| 18 | 415701 | Tuyau polyamide d8 au m |
| 19 | 795140 | Passe cloison pneuma coude d8 |
| 20 | 794640 | Lien de serrage nylon noir |

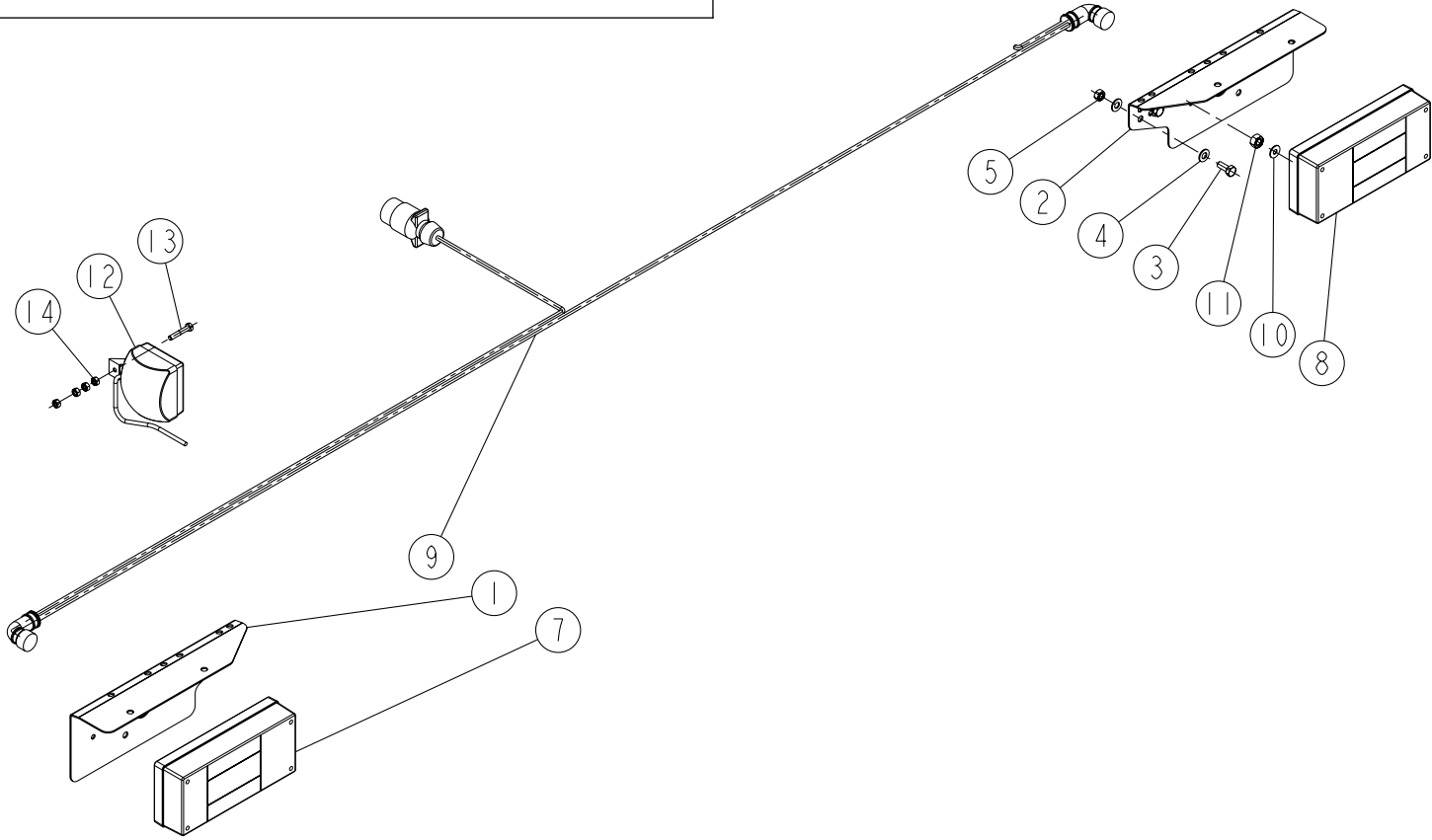


| REP | CODE | DÉSIGNATION |
|-----|---------|--------------------------------|
| 1 | 967104 | Porte feu std g |
| 2 | 967105 | Porte feu std d |
| 3 | 551870 | Vis h 8x20 zn 6 c fe 8 8 fst |
| 4 | 573158 | Rondelle m8 n zn 6 c fe |
| 5 | 571208 | Ecrou h8 zn 6 c fe |
| 6 | 983813 | Kit éclairage semoirs |
| 7 | 720265 | Feu g avec ampoule et eclairer |
| 8 | 720266 | Feu d avec ampoule |
| 9 | 573206 | Rondelle l6 n zn 6 c fe |
| 10 | 571210 | Ecrou h10 zn 6 c fe |
| 11 | 7501131 | Lampe de tremie |
| 12 | 551685 | Vis h 6x35 zn 6 c fe |
| 13 | 571206 | Ecrou h6 zn 6 c fe |

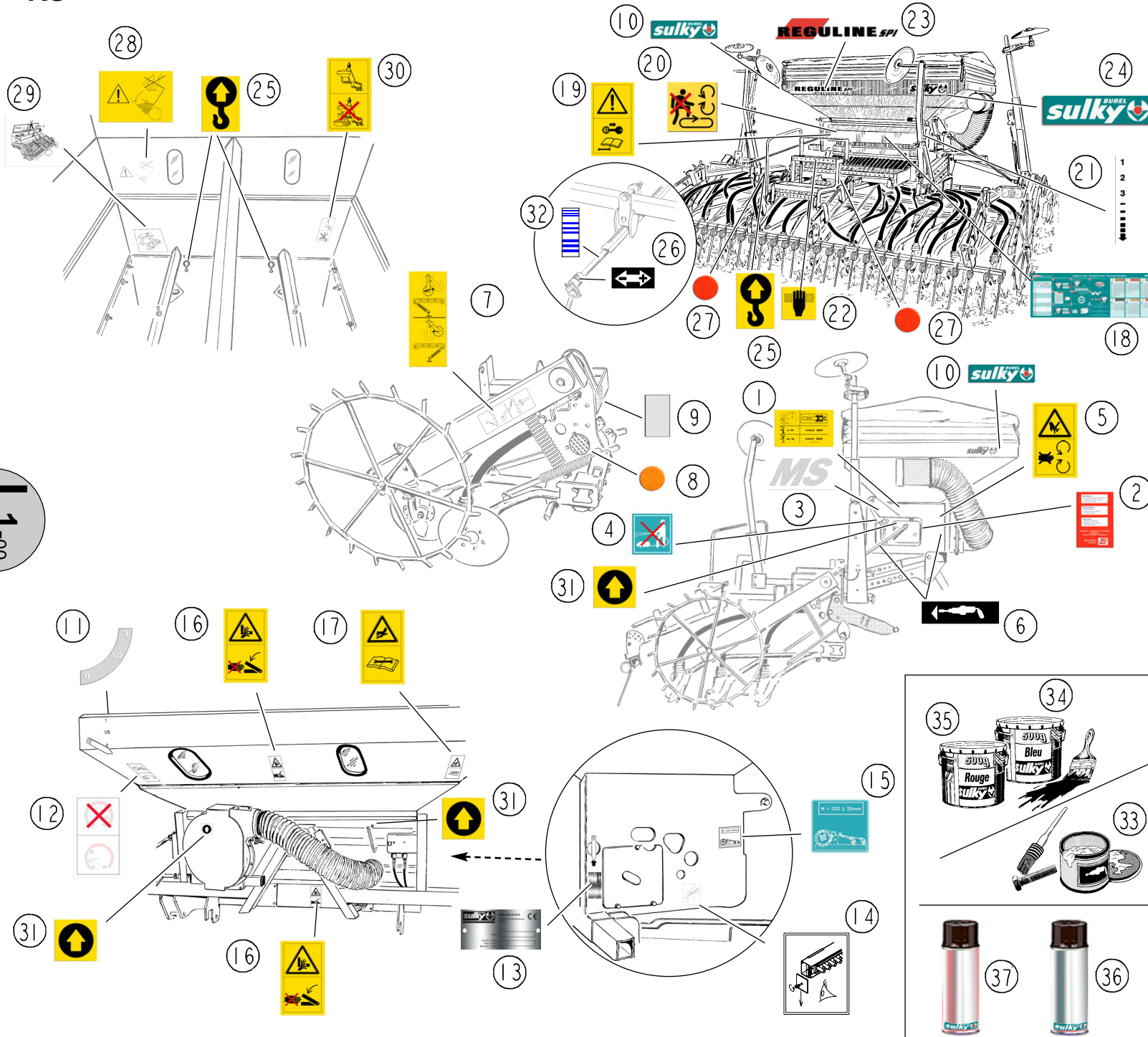
RS 05/RS 03 101 → ...



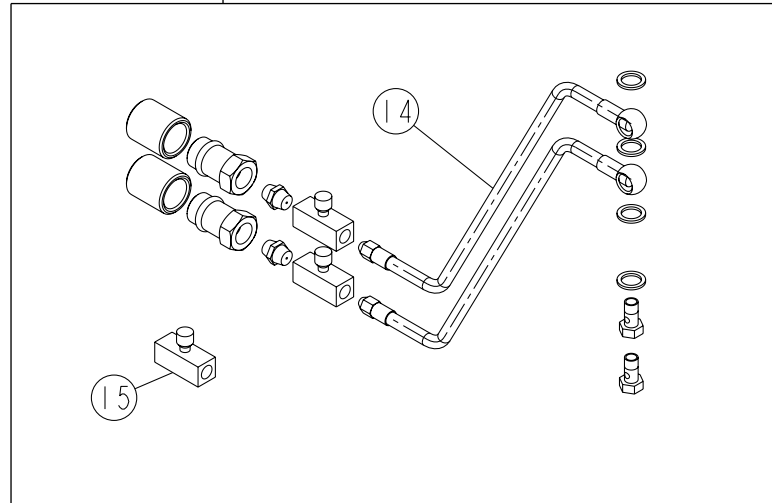
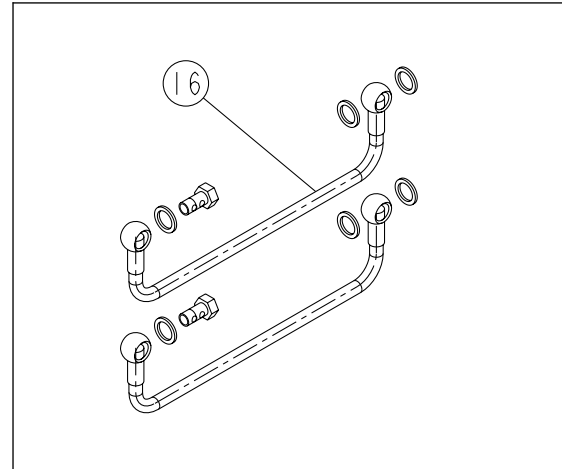
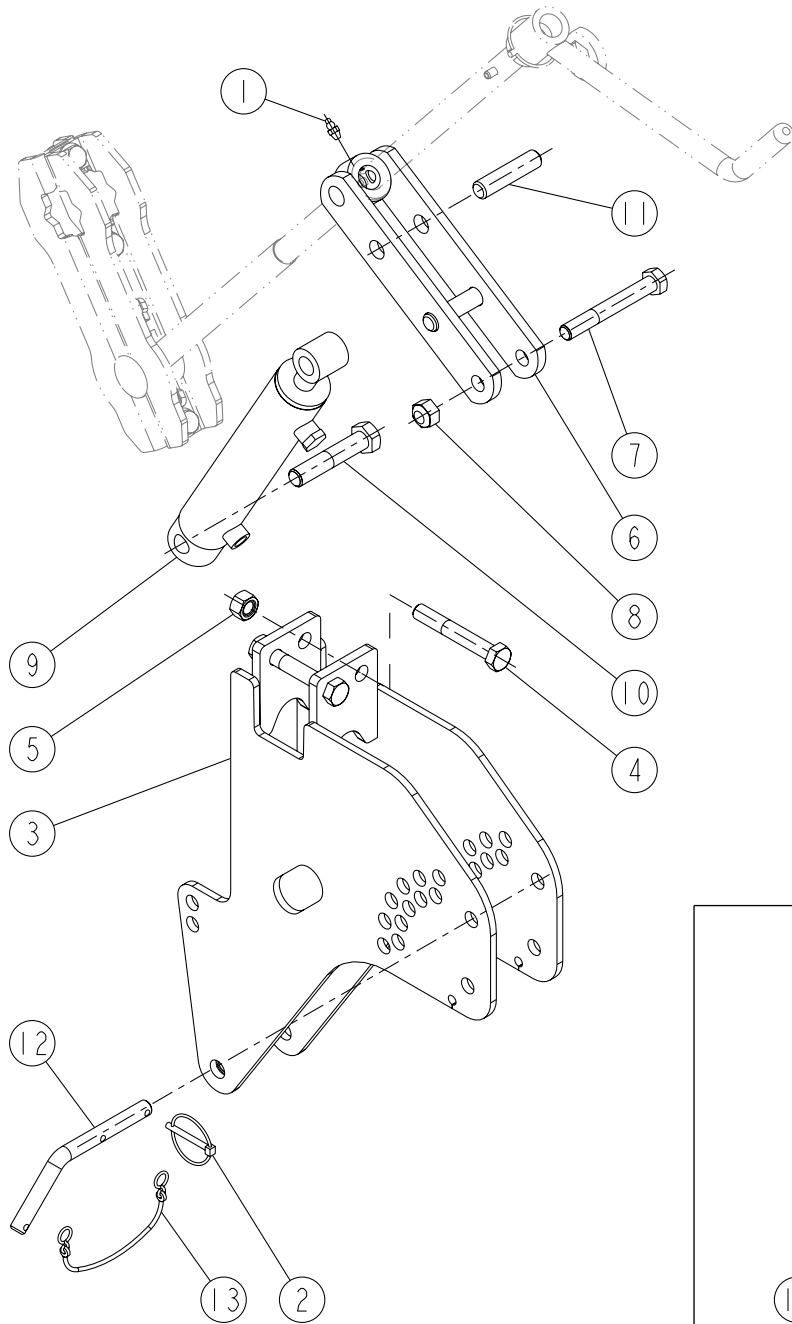
K7-01



| REP | CODE | DÉSIGNATION |
|-----|---------|------------------------------|
| 1 | 967163 | Porte feu nm g |
| 2 | 967164 | Porte feu nm d |
| 3 | 551870 | Vis h 8x20 zn 6 c fe 8 8 fst |
| 4 | 573158 | Rondelle m8 n zn 6 c fe |
| 5 | 571208 | Ecrou h8 zn 6 c fe |
| 6 | 983820 | Kit éclairage semoir connec |
| 7 | 721014 | Feu g 2005 |
| 8 | 721015 | Feu d 2005 |
| 9 | 721017 | Cable liaison semoir nm |
| 10 | 573206 | Rondelle l6 n zn 6 c fe |
| 11 | 571210 | Ecrou h10 zn 6 c fe |
| 12 | 7501131 | Lampe de tremie |
| 13 | 551685 | Vis h 6x35 zn 6 c fe |
| 14 | 571206 | Ecrou h6 zn 6 c fe |



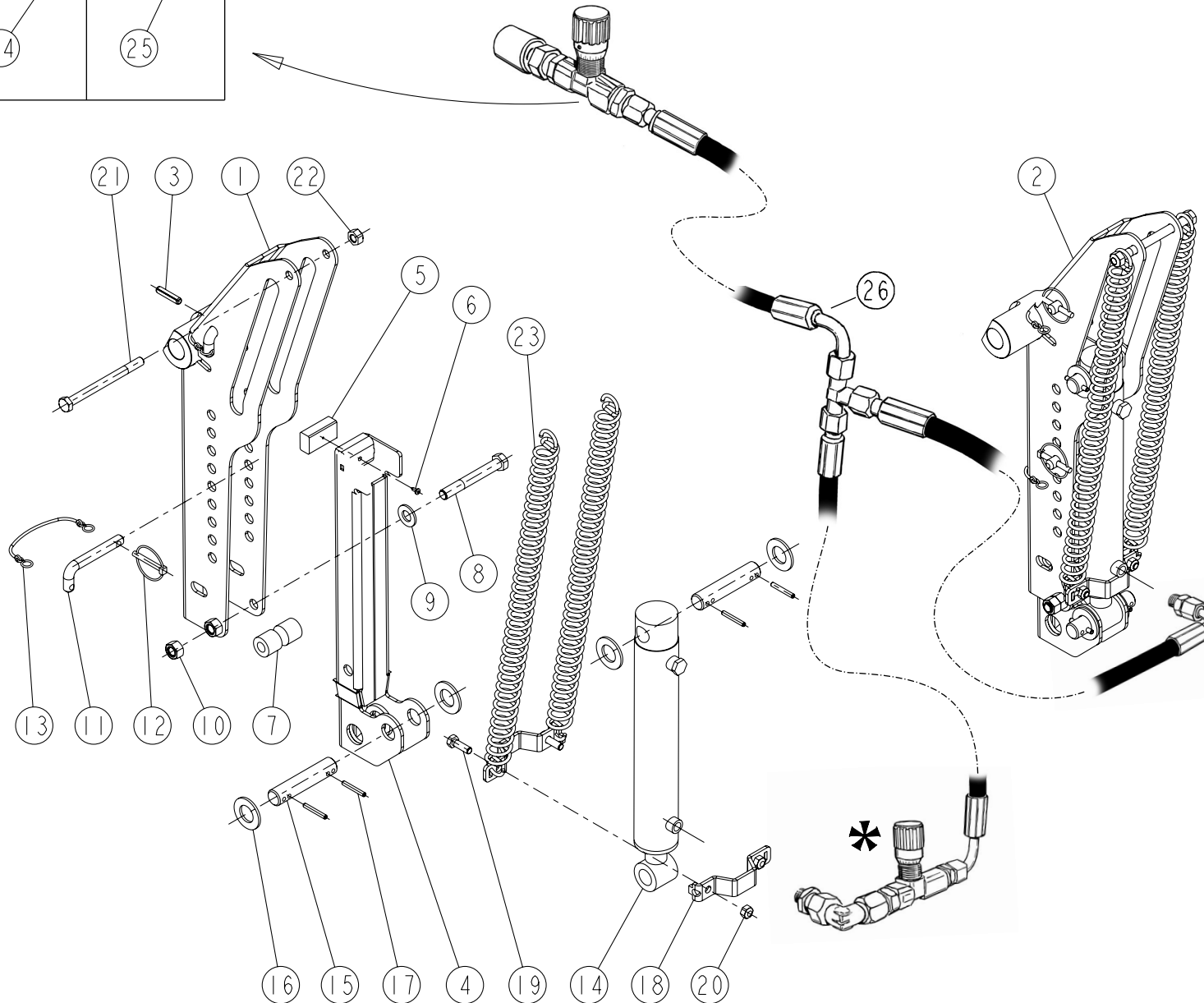
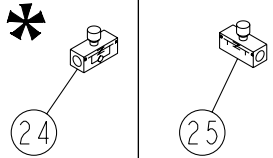
| REP | CODE | DÉSIGNATION |
|-----|--------|----------------------------------|
| 1 | 988223 | Autocollant limite de vitesse |
| 2 | 908473 | Etiquette lubrifiant variateur |
| 3 | 988080 | Autocollant ms semoir |
| 4 | 988087 | Adhesif ne pas projeter |
| 5 | 988029 | Adhesif de mouvement |
| 6 | 908472 | Etiquette 62x14 de graissage |
| 7 | 988041 | Autocollant verrou bras de roue |
| 8 | 836008 | Catadioptre orange diam 80 |
| 9 | 836001 | Catadioptre blanc 94x44 |
| 10 | 909126 | Autocollant sulky petit modele |
| 11 | 908331 | Indicateur de niveau |
| 12 | 988227 | Autocollant pression de retour |
| 13 | 908992 | Plaque constructeur |
| 14 | 988284 | Autocollant caisson nettoyage |
| 15 | 988232 | Autocollant positionnement |
| 16 | 988004 | Autocollant securite attelage |
| 17 | 988228 | Auto securite pression huile |
| 18 | 988222 | Notice adhesive semoir pneumatiq |
| 19 | 988028 | Adhesif de mise en route |
| 20 | 988005 | Autocollant passerelle |
| 21 | 988061 | Autocollant clapet |
| 22 | 988040 | Autocollant point de prehension |
| 23 | 988031 | Autocollant reguline spi |
| 24 | 908338 | Autocollant sulky grand modele |
| 25 | 988063 | Autocollant de manutention |
| 26 | 988068 | Indicateur de sens d action |
| 27 | 836003 | Catadioptre rouge diam 60 |
| 28 | 988003 | Autocollant securite agitateur |
| 29 | 988009 | Autocollant chargement |
| 30 | 988233 | Autocollant securite manutention |
| 31 | 988229 | Adhesif ind g d |
| 32 | 988097 | Autocollant de terrage tc |
| 33 | 480003 | Pot de graisse 1kg |
| 34 | 910089 | Pot de peinture bleu 500gr |
| 35 | 910088 | Pot de peinture rouge 500gr |
| 36 | 491850 | Bombe 400ml bleu ral 5021 |
| 37 | 491870 | Bombe 400ml rouge ral 3020 |



| REP | CODE | DÉSIGNATION |
|-----|--------|-------------------------------|
| 1 | 719001 | Graisser m6x100 droit |
| 2 | 594304 | Goup clips d4 5 zn 6 c fe s32 |
| 3 | 917275 | Support modul terrage rs so |
| 4 | 552298 | Vis h 12x80 zn 6 c fe fp |
| 5 | 571212 | Ecrou h12 zn 6 c fe |
| 6 | 916204 | Bras modulation terrage rs so |
| 7 | 552299 | Vis h 12x90 zn 6 c fe |
| 8 | 571462 | Ecrou frein h12 zn 6 c fe |
| 9 | 982305 | Verin modulation sp |
| 10 | 558470 | Vis h 14x70 inox a2 70 fp |
| 11 | 921123 | Articulation modulation rs |
| 12 | 992117 | Broche d12 pli a 45 |
| 13 | 715010 | Lien noir s29150 ref 715010 |
| 14 | 983052 | Kit hydrau alim modulation rs |
| 15 | 795510 | Limiteur uni regl fg1 4 fg1 4 |
| 16 | 983053 | Kit hydrau liaison verins rs |

L4-00

RS



| REP | CODE | DÉSIGNATION |
|-----|--------|---------------------------------|
| 1 | 916220 | Coulisse superieur so |
| 2 | 916221 | Coulisse superieur sym so |
| 3 | 589407 | Goup elastic 8x35 inox |
| 4 | 916222 | Coulisse inferieur so |
| 5 | 985047 | Patin de coulisse inferieure |
| 6 | 557610 | Vis cbl z st3 5x9 5 inox a2 70 |
| 7 | 985048 | Galet de coulisse |
| 8 | 552299 | Vis h 12x90 zn 6 c fe |
| 9 | 573112 | Rondelle m12 n zn 6 c fe |
| 10 | 571212 | Ecrou h12 zn 6 c fe |
| 11 | 927002 | Broche d12 |
| 12 | 594306 | Goup d6 clips zn 6 c fe s37 |
| 13 | 715010 | Lien noir s29150 ref 715010 |
| 14 | 982311 | Verin de relevage |
| 15 | 921127 | Axe de verin de relevage |
| 16 | 573170 | Rondelle m20 n zn 6 c fe |
| 17 | 589207 | Goup elastic 5x35 inox |
| 18 | 962161 | Attache ressort relevage |
| 19 | 551875 | Vis h 8x25 zn 6 c fe fp |
| 20 | 571458 | Ecrou frein h8 zn 6 c fe |
| 21 | 552170 | Vis h 10x120 zn 6 c fe fp |
| 22 | 571460 | Ecrou frein nylon h10 zn 6 c fe |
| 23 | 981104 | Ressort de rappel |
| 24 | 795510 | Limiteur uni regl fg1 4 fg1 4 |
| 25 | 721046 | Limiteur bi regl fg3 8 fg3 8 |
| 26 | 983054 | Kit hydr relevage barre de semi |

L5-00