

Sparex



Replacement Engine Parts
Quick Reference Guide

Engine Parts

Engine Parts

Sparex



Head Office:

Sparex Limited, Exeter Airport
Exeter, Devon EX5 2LJ
England

Tel: 01392 368892

Fax: 01392 369904



Case IH EN01

David Brown EN02

Deutz EN03

Fendt EN04

Fiatagri EN05

Ford EN06

John Deere EN07

M F EN08

Renault EN09

Zetor EN10

Sparex

Engine Page

Case I H

D66	19
D74	19
D99	20
D111	20
D132	21
D148	21
D155	7
D179	8
D206	9
D239	10
DT239	15
D246	11
D268	12
DT268	13
D310	14
D358	16
DT358	17
DT402	18
1004-40T	22
4T.390	23
6.590	24
6T.590	25
6T.830	26

David Brown

AD3.49	29
AD3.55	30
AD4.49	31
AD4.55	32
AD4.55T	33
AD6.329	34
AD6.329T	35

Deutz KHD

511D	37
514	38
FL712	39
FL812	40
FL912	42
FL913	44
BF 413	46
BF 913	48
BFM 1012 / 13E	50

Fendt

KD10.5	60
KD110.5	61
AKD 112-2	62
AKD210.5	63
D208-3-4	64
D225	65
D226	66
DT226	69
D227	71
D308	72
D322	73
D325	74
D327	75
D925	76
BF4L913	77
FL913	78
FL912	80
BFM1012	82
BFM2013	83
DO824	84
DO826	85
DO836	86

Engine Page

Fiat

615D	91
8035.01	92
8035.02	93
8035.04	94
8035.05	95
8035.06	96
8045.01	97
8045.02	98
8045.04	99
8045.05	100
8045.06	101
8055.04	102
8055.05	103
8065.01	104
8065.02	105
8065.04	106
8065.05	107
8065.06	108
OM CN3	109
OM CO3	110
OM CP3	111

Ford

Perkins A3.144	115
Perkins A3.152	116
220 (Major)	118
BSD 326 / 329	120
BSD 332	122
BSD 333	124
BSD 438	126
BSD 442	128
BSD 444	130
BSD 666	136
BSD 666T / Ti	138
8035...	145
8045...	146
PowerStar 4.4	139
PowerStar 5.0	140
PowerStar 5.0T	141
PowerStar 6.6	142
PowerStar 7.5	143
PowerStar 7.5T	144

John Deere

3.152D	149
3.164D	150
3.179D	151
3.179T	152
4.039D	153
4.045D	154
4.045T	155
4.202D	156
4.219D	157
4.239D	158
4.239T	159
4.5D/T	160
6.059D	161
6.059T	162
6.068D	163
6.068T	164
6.076T/A/H	165
6.329D	166
6.359D	167
6.359T	168
6.404D	169
6.404T/A	170
6.466D	171
6.466T/A	172
6.619A/T	173
6.8D/T	174

Engine Page

M F

Standard 20C	185
Standard 23C	186
Standard 85	183
Standard 87	184
A3.144	180
A3.152	181
AD3.152	182
A4.107	187
A4.192	188
A4.203	189
AD4.203	190
A4.212	191
A4.236	192
AT4.236	194
A4.248	196
A4.318	198
A6.354	201
AT6.354	202
A6.354.1	203
AT6.354.1	204
A6.354.4	205
AT6.354.4	206
1004.4	199
1004.4T	200
1006.6	207
1006.6T	208

Renault

4.039D	154
4.045D	155
4.045T	156
6.059D	161
6.068D	163
6.068T	164
D226-3	68
D226-4	66
D226-6	66
D227	71
D322	73
D325	74
D327	75
DT226-4,2	70
DT226-6,2	70
DT226-B6	68
BF6M1013	50
KHD FL912	42

Zetor

Z2001	215
Z3001	216
Z4001	217
Z4701	218
Z4901	219
Z5001	219
Z5201	220
Z5501	221
Z5901	222
Z6001	223
Z6201	224
Z6701	225
Z6901	226
Z7001	227
Z7201	228
Z7701	229
Z8001	230
Z8002.1	231
Z8002.11	232
Z8002.134	233
Z8401.1	234
Z8601	235
Z8002 bis Z8701	236

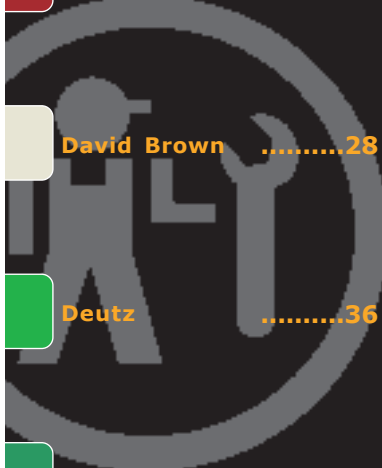
Engine Parts

Engine Parts

Sporex



Case IH6
David Brown28
Deutz36
Fendt56
Fiatagri90
Ford114
John Deere148
M F178
Renault212
Zetor214



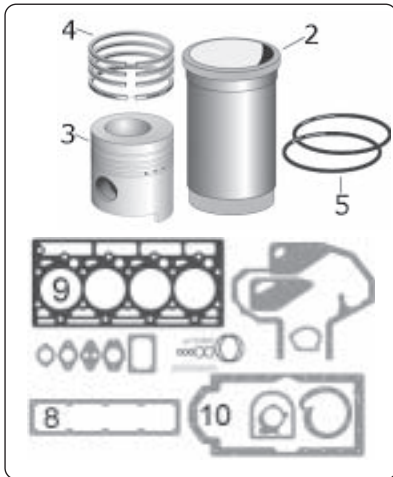
Sporex

These parts are Sporex parts and are not manufactured by the Original Equipment Manufacturer. Original names, part numbers and descriptions are quoted for reference purposes only and are not intended to indicate or suggest that our replacement parts are made by the OEM.

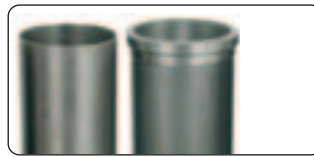


EXPLANATION OF THE SYMBOLS USED IN THIS CATALOGUE

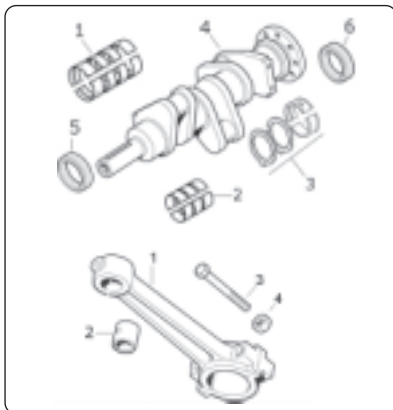
This catalogue uses line drawings to illustrate the various engine parts - these drawings are representative only and are not exact drawings of the parts offered on each page.



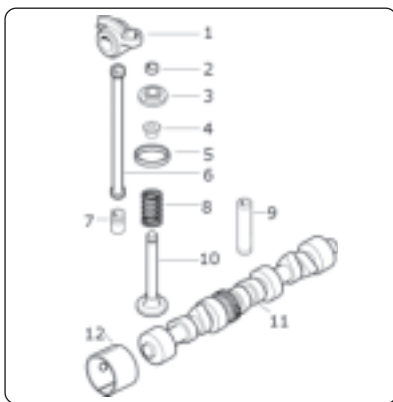
- Pistons and Liners**
 Two types of liner are illustrated throughout the catalogue. The liner with a rim represents a wet liner. The liner without a rim represents a dry liner. Most dry liners are supplied in a semi finished condition and will require honing after fitting into the engine block (see illustration below).



- Gasket Sets**
 For ease of identification, only the main gaskets are illustrated. Top and bottom gasket sets contain all the gaskets required to repair the engine.



- Crankshaft and Related Parts.**
 A standard 3 cylinder crankshaft is illustrated throughout the catalogue. This drawing is also representative only and is not an exact drawing of the actual crankshaft for each engine. Main bearings and conrod bearings are supplied in pairs or sets. Please note the pack quantities shown against each part number.



- Camshaft and Valves**
 The technical layout may vary between tractor makes and models. For ease of identification please refer to the descriptions and OEM reference numbers.

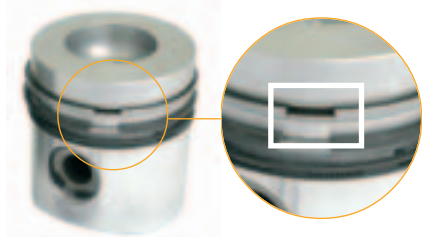


- Oil, Fuel and Water Pumps**
 Representative drawings of pumps are used throughout the catalogue.



Ring Carrier Piston

Pistons with a particularly high compression ratio have a ring carrier. This is a cast-in groove for the first piston ring made from cast iron, which reduces the expansion and temperature.



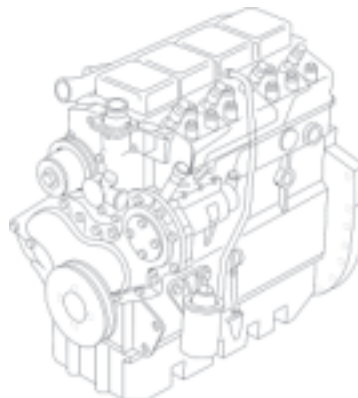
Tractor Model to Engine Index

At the beginning of each section there is a tractor model/engine index that shows each tractor model, the type of engine that is fitted to it and the number of the page on which the parts for that engine appear.



Engine Overhaul Kits

Engine Overhaul Kits for Case IH, David Brown, Ford, John Deere and Massey Ferguson can be found at the end of each section, listed in engine number sequence.



Case IH6

David Brown28

Deutz36

Fendt56

Fiatagri90

Ford114

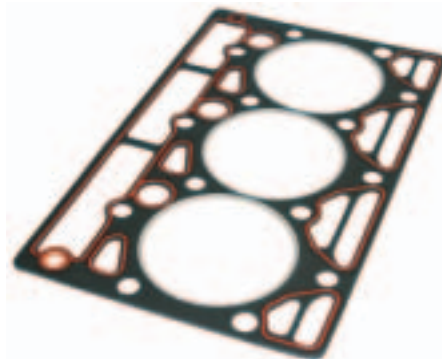
John Deere148

M F178

Renault212

Zetor214

Engine Parts suitable for Case IH



Tractor Model to Engine Index

Model	Engine	Cyl.	Page	Model	Engine	Cyl.	Page
D212	D66	2	19	956	D358	6	16
D214	D66	2	19	1046	D358	6	16
D215	D66	2	19	1055	D358	6	16
D217	D74	2	19	1056	D358	6	16
D219	D74	2	19	1246	DT358	6	17
D320	D99	3	20	1255	DT358	6	17
D322	D99	3	20	1455	DT402	6	18
D323	D111	3	20	2120	3.183		
D324	D111	3	20	2130	3.183		
D326	D111	3	20	2140	4,244		
D430	D132	4	21	2150	4,244		
D432	D132	4	21	3210	D155	3	7
D436	D148	4	21	3220	D179	3	8
D438	D148	4	21	3230	D206	4	9
D439	D148	4	21	4210	D239	4	10
D440	D132	4	21	4220	D246	4	11
323				4230	D268	4	12
353	D155	3	7	4240	DT268	4	13
383	D155	3	7	5120	4T.390	4	23
423	D155	3	7	5130	6,590	6	24
433	D155	3	7	5140	6T.590	6	25
440	D155	3	7	5150	6T.590	6	25
453, 483	D155	3	7	5240	6T.590	6	25
523	D179	3	8	5250	6T.590	6	25
533	D155	3	7	7110	6T.830	6	26
540	D155	3	7	7120	6T.830	6	26
553	D179	3	8	7130	6T.830	6	26
554	D206	4	9	7140	6T.830	6	26
624	D206	4	9	7210	6T.830	6	26
633	D179	3	8	7220	6T.830	6	26
640	D179	3	8	7230	6T.830	6	26
644	D206	4	9	7240	6TA.830	6	
645	D206	4	9	7250	6TA.830	6	
654	D206	4	9	C100	1004.4T	4	22
724	D239	4	10	C70	1004.4T	4	22
733	D206	4	9	C80	1004.4T	4	22
740	D206	4	9	C90	1004.4T	4	22
743	D239	4	10	CS110	WD420.80T		
744	D239	4	10	CS120	WD620.84		
745	D239	4	10	CS130	WD620.82		
824	D239	4	10	CS150	WD620.83		
833	D239	4	10	CS48	WD903.27		
840, 940	D239	4	10	CS58	WD903.27T		
844	D246	4	11	CS64	WD301.83		
844S, XL	D268	4	12	CS68	WD301.89		
845 (XL)	D268	4	12	CS75	WD301.88		
856	DT239	4	15	CS78	WD401.81		
933	D358	4	16	CS86	WD401.83		
946	D310	6	14	CS94	WD401.85		
955	D310	6	14	CX100	1004.4T	4	22
955	D358	6		CX70	1004.4T	4	22

Model	Engine	Cyl.	Page
CX80	1004.4T	4	22
CX90	1004.4T	4	22
MX100	6T.590	6	25
MX110	6T.590	6	25
MX120	6T.590	6	25
MX135	6T.590	6	25
MX150	6T.590	6	25
MX170	6T.590	6	25
MX180	6T.830	6	26
MX200	6TA.830	6	
MX220	6TA.830	6	
MX240	6TA.830	6	
MX270	6TA.830	6	
MX80C	1004.4T	4	22
MX90C	1004.4T	4	22



Ring Carrier Piston

Pistons with a particularly high compression ratio have a ring carrier. This is a cast-in groove for the first piston ring made from cast iron, which reduces the expansion and temperature.



Case IH

Engine	Liner mm			Piston mm			Additional information
	Cyl.	Bore	Height	Pin	Height	Rings	
D155	3	98	201,1	36	102 107	3	

Models: 353, 383, 423, 433, 453, 533, 540

Sparex

Case IH

David Brown

Deutz

Fendt

Fiatagri

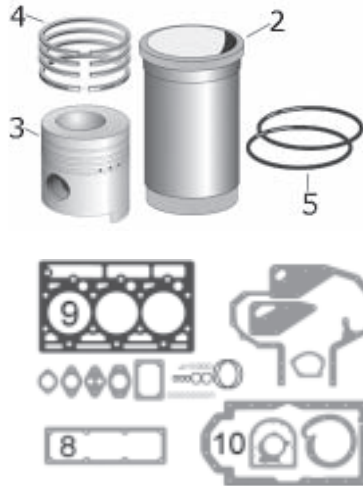
Ford

John Deere

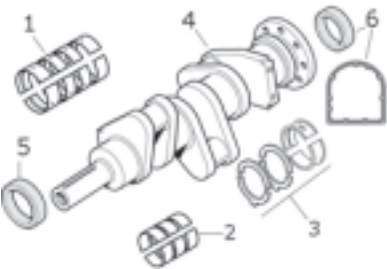
M F

Renault

Zetor



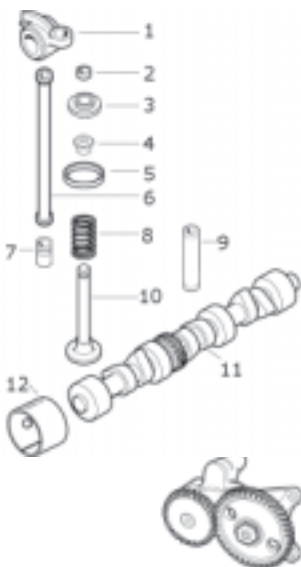
Description	Remarks	Replaces	Sparex
1 Piston and Liner Set (per Cyl.)		3218758R95	S.57847
2 Liner		3139587R3	S.57616
3 Piston (102mm)	Standard		S.57625
4 Ring Set		3218416R92	S.57632
5 Liner Seal		3228344R1	S.57622
1 Piston and Liner Set (per Cyl.)		3139591R95	S.57850
2 Liner		3139587R3	S.57616
3 Piston (107mm)	Ring Carrier Piston	3139591R92	S.57624
4 Ring Set		3139594R91	S.57633
5 Liner Seal		3228344R1	S.57622
6 Top Gasket Set		3136798R99	S.57676
7 Bottom Gasket Set	w ithout Seals	3136802R99	S.57688
8 Rocker Cover Gasket		3138641R1	S.57684
9 Head Gasket		3228361R2	S.57680
10 Sump Gasket		3055160R3	S.57694



1	Standard	3055129/30R21	S.57654
+ Main Bearings (1 set)	0,010"	3056820/32R21	S.57657
3	0,020"	3056875/77R21	S.57658
	0,030"	3055776/79R21	S.57659
2 Conrod Bearings (1 set)	STD (32mm)	3055351R91	S.57638
	0,010"	3056834R11	S.57641
	0,020"	3056879R11	S.57642
	0,030"	3055781R11	S.57643
2 Conrod Bearings (1 pair)	STD 30,1mm	3144688R92	S.37851
4 Crankshaft			
5 Front Oil Seal		3228401R1	S.57822
5 Front Oil Seal Set (6 pieces)		3228133R93	S.57672
6 Rear Oil Seal		3138701R91	S.57670
6 Rear Main Gasket		3055215R2	S.57692



1 Conrod (Old type)			
1 Conrod			
2 Small End Bush		3132018R2	S.57674
3 Conrod Bolt			
4 Conrod Nut			



1 Rocker Arm			
2 Collet			
3 Valve Retainer			
4 Valve Stem Seal Kit	6 pieces	3218399R91	S.57615
5 Inlet Valve Insert			
5 Exhaust Valve Insert			
6 Push Rod			
7 Tappet/Cam Follow er			
8 Valve Spring		3055060R1	S.57606
9 Valve Guide		129322A 1	S.57610
10 Inlet Valve		3055055R2	S.57602
10 Exhaust Valve		3055056R2	S.57604
11 Camshaft		3055046R3	S.310004
12 Camshaft Bush			
13 Oil Pump		3136429R95	S.57715

Case IH

Engine	Liner mm			Piston mm			Additional information
	Cyl.	Bore	Height	Pin	Height	Rings	
D179	3	98	216,1	36	107	3	

Models: 523, 533, 553, 633, 640, 3220A

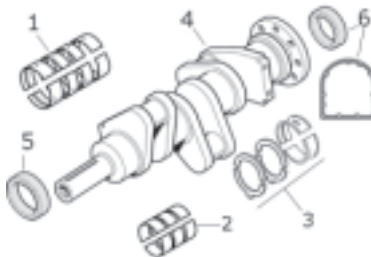


Description	Remarks	Replaces	Sparex	
1 Piston and Liner Set (per Cyl.)		32118759R95	S.57848	
2 Liner		3139592R4	S.57617	
3 Piston			S.57627	
4 Ring Set		3218416R92	S.57632	
5 Liner Seal		3228344R1	S.57622	
1 Piston and Liner Set (per Cyl.)		3139591R96	S.57849	
2 Liner	Ring Carrier Piston	3139592R4	S.57617	
3 Piston			S.57626	
4 Ring Set			3139594R91	S.57633
5 Liner Seal			3228344R1	S.57622
6 Top Gasket Set			3136798R99	S.57676
7 Bottom Gasket Set		3136802R99	S.57688	
8 Rocker Cover Gasket		3138641R1	S.57684	
9 Head Gasket		3228361R2	S.57680	
10 Sump Gasket		3055160R3	S.57694	

Case IH

David Brown

Deutz



1	Standard	3055129/30R21	S.57654
+ Main Bearings (1 set)	0,010"	3056820/32R21	S.57657
3	0,020"	3056875/77R21	S.57658
	0,030"	3055776/79R21	S.57659
	STD (32mm)	3055351R91	S.57638
2 Conrod Bearings (1 set)	0,010"	3056834R11	S.57641
	0,020"	3056879R11	S.57642
	0,030"	3055781R11	S.57643
4 Crankshaft			
5 Front Oil Seal		3228401R1	S.57822
	Front Oil Seal Set (6 pieces)	3228133R93	S.57672
6 Rear Oil Seal		3138701R91	S.57670
	Rear Main Gasket	3055215R2	S.57692

Fendt

Fiatagri

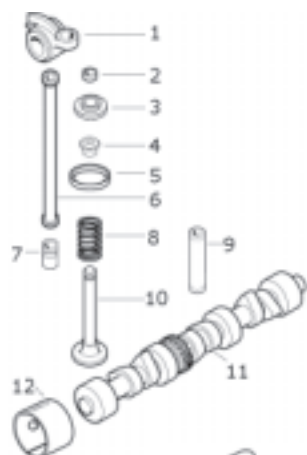
Ford



1 Conrod			
2 Small End Bush		3132018R2	S.57674
3 Conrod Bolt			
4 Conrod Nut			

John Deere

M F



1 Rocker Arm			
2 Collet			
3 Valve Retainer			
4 Valve Stem Seal Kit	6 pieces	3218399R91	S.57615
5 Inlet Valve Insert			
Exhaust Valve Insert			
6 Push Rod			
7 Tappet/Cam Follow er			
8 Valve Spring		3055060R1	S.57606
9 Valve Guide		129322A 1	S.57610
10 Inlet Valve		3055055R2	S.57602
Exhaust Valve		3055056R2	S.57604
11 Camshaft		3055046R3	S.310004
12 Camshaft Bush			

Renault

Zetor

13 Oil Pump		3136429R95	S.57715
-------------	--	------------	----------------

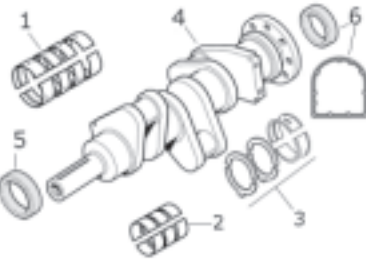
Case IH

Engine	Liner mm			Piston mm			Additional information
	Cyl.	Bore	Height	Pin	Height	Rings	
D206	4	98	201,1	36	102 107	3	

Models: 554, 584, 624, 644, 645, 654, 733, 740, 3230A



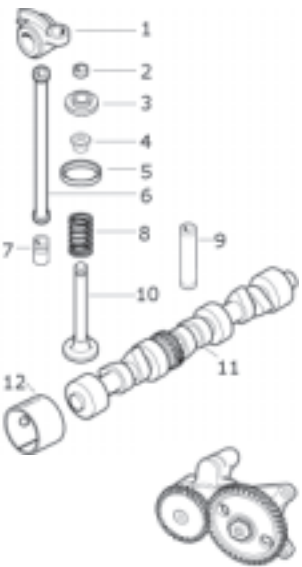
Description	Remarks	Replaces	Spare x
1 Piston and Liner Set (per Cyl.)		3218758R95	S.57847
2 Liner		3139587R3	S.57616
3 Piston (102mm)			S.57625
4 Ring Set		3218416R92	S.57632
5 Liner Seal		3228344R1	S.57622
1 Piston and Liner Set (per Cyl.)		3139591R95	S.57850
2 Liner	Ring Carrier Piston	3139587R3	S.57616
3 Piston (107mm)		3139591R92	S.57624
4 Ring Set		3139594R91	S.57633
5 Liner Seal		3228344R1	S.57622
6 Top Gasket Set		1967014C1	S.57678
7 Bottom Gasket Set		3228431R92	S.57690
8 Rocker Cover Gasket		3138642R1	S.57686
9 Head Gasket		3228362R2	S.57682
10 Sump Gasket		3055161R3	S.57696



1	Standard	3055129/30R21	S.57655
+ Main Bearings (1 set)	0,010"	3056820/32R21	S.57660
3	0,020"	3056875/77R21	S.57661
	0,030"	3055776/79R21	S.57662
	STD (32mm)	3055351R91	S.57639
2 Conrod Bearings (1 set)	0,010"	3056834R11	S.57644
	0,020"	3056879R11	S.57645
	0,030"	3055781R11	S.57646
4 Crankshaft			
5 Front Oil Seal		3228401R1	S.57822
Front Oil Seal Set (6 pieces)		3228133R93	S.57672
6 Rear Oil Seal		3138701R91	S.57670
Rear Main Gasket		3055215R2	S.57692



1 Conrod			
2 Small End Bush		3132018R2	S.57674
3 Conrod Bolt			
4 Conrod Nut			



1 Rocker Arm			
2 Collet			
3 Valve Retainer			
4 Valve Stem Seal Kit	8 pieces	3228677R91	S.57876
5 Inlet Valve Insert			
Exhaust Valve Insert			
6 Push Rod			
7 Tappet/Cam Follow er			
8 Valve Spring		3055060R1	S.57606
9 Valve Guide		129322A 1	S.57610
10 Inlet Valve		3055055R2	S.57602
Exhaust Valve		3055056R2	S.57604
11 Camshaft			
12 Camshaft Bush			
13 Oil Pump		3136430R95	S.57831

Sparex

Case IH

David Brown

Deutz

Fendt

Fiatagri

Ford

John Deere

M F

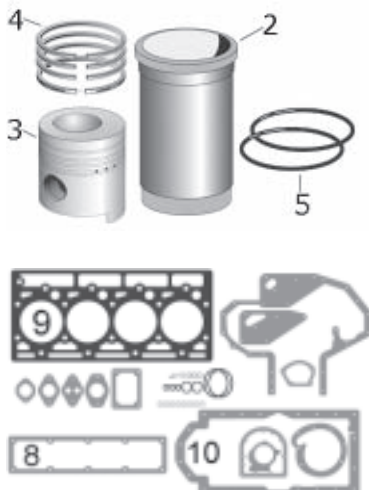
Renault

Zetor

Case IH

Engine	Liner mm			Piston mm			Additional information
	Cyl.	Bore	Height	Pin	Height	Rings	
D239	4	98	216,1	36	107	3	

Models: 574, 674, 684, 724, 743, 744, 745, 824, 833, 840, 940, 4210

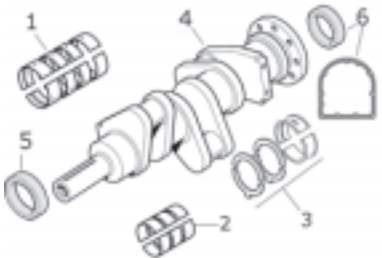


Description	Remarks	Replaces	Sparex
1 Piston and Liner Set (per Cyl.)		32118759R95	S.57848
2 Liner		3139592R4	S.57617
3 Piston			S.57627
4 Ring Set		3218416R92	S.57632
5 Liner Seal		3228344R1	S.57622
1 Piston and Liner Set (per Cyl.)	Ring Carrier Piston	3139591R96	S.57849
2 Liner		3139592R4	S.57617
3 Piston			S.57626
4 Ring Set		3139594R91	S.57633
5 Liner Seal		3228344R1	S.57622
6 Top Gasket Set		1967014C1	S.57678
7 Bottom Gasket Set		3228431R92	S.57690
8 Rocker Cover Gasket		3138642R1	S.57686
9 Head Gasket		3228362R2	S.57682
10 Sump Gasket		3055161R3	S.57696

Case IH

David Brown

Deutz

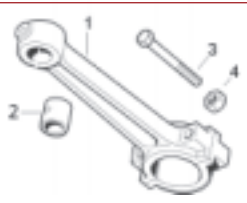


1	Standard	3055129/30R21	S.57655
+ Main Bearings (1 set)	0,010"	3056820/32R21	S.57660
	0,020"	3056875/77R21	S.57661
3	0,030"	3055776/79R21	S.57662
	STD (32mm)	3055351R91	S.57639
2 Conrod Bearings (1 set)	0,010"	3056834R11	S.57644
	0,020"	3056879R11	S.57645
	0,030"	3055781R11	S.57646
4 Crankshaft		3144626R92	S.57894
5 Front Oil Seal		3228401R1	S.57822
	Front Oil Seal Set (6 pieces)	3228133R93	S.57672
6 Rear Oil Seal		3138701R91	S.57670
	Rear Main Gasket	3055215R2	S.57692

Fendt

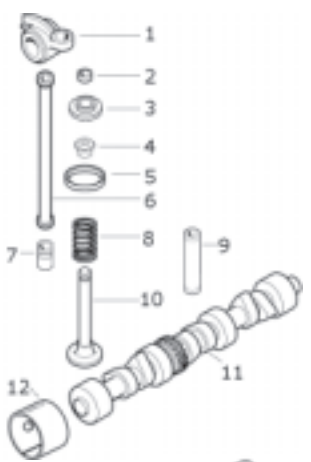
Fiatagri

Ford



1 Conrod			
2 Small End Bush		3132018R2	S.57674
3 Conrod Bolt			
4 Conrod Nut			

John Deere



1 Rocker Arm			
2 Collet			
3 Valve Retainer			
4 Valve Stem Seal Kit	8 pieces	3228677R91	S.57876
5 Inlet Valve Insert			
	Exhaust Valve Insert		
6 Push Rod			
7 Tappet/Cam Follower			
8 Valve Spring		3055060R1	S.57606
9 Valve Guide		129322A1	S.57610
10 Inlet Valve		3055055R2	S.57602
	Exhaust Valve	3055056R2	S.57604
11 Camshaft			
12 Camshaft Bush			

M F

Renault

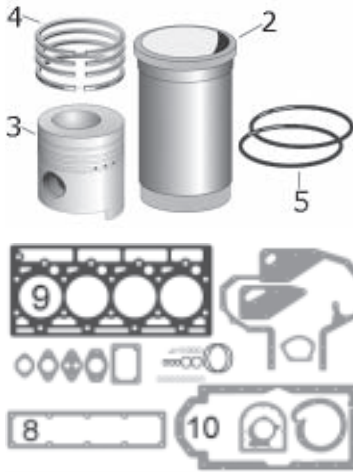
Zetor

13 Oil Pump		3136430R95	S.57831
-------------	--	------------	----------------

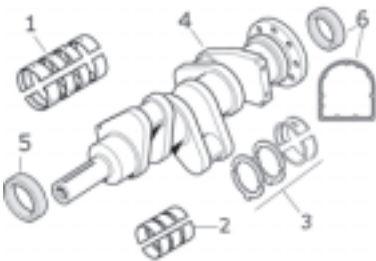
Case IH

Engine	Liner mm			Piston mm			Additional information
	Cyl.	Bore	Height	Pin	Height	Rings	
D246	4	100	216,1	36	107	3	

Models: 824, 844, 4220



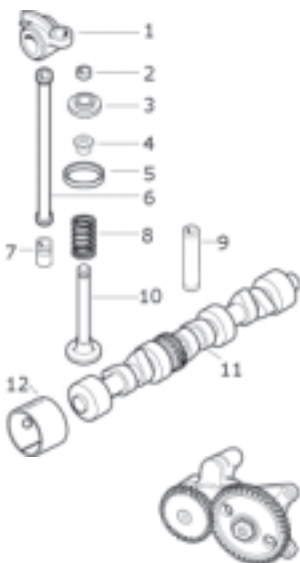
Description	Remarks	Replaces	Sparex
1 Piston and Liner Set (per Cyl.)		3218668R94	S.57851
2 Liner		3144682R3	S.57620
3 Piston			S.57630
4 Ring Set		3218669R91	S.57636
5 Liner Seal		3228344R1	S.57622
6 Top Gasket Set		1967014C1	S.57678
7 Bottom Gasket Set		3228431R92	S.57690
8 Rocker Cover Gasket		3138642R1	S.57686
9 Head Gasket		3228362R2	S.57682
10 Sump Gasket		3055161R3	S.57696



1	Standard	3055129/30R21	S.57655
+ Main Bearings (1 set)	0,010"	3056820/32R21	S.57660
3	0,020"	3056875/77R21	S.57661
	0,030"	3055776/79R21	S.57662
2 Conrod Bearings (1 set)	STD (32mm)	3055351R91	S.57639
	0,010"	3056834R11	S.57644
	0,020"	3056879R11	S.57645
	0,030"	3055781R11	S.57646
2 Conrod Bearings (1 pair)	STD 30,1mm br.	3144688R92	S.37851
4 Crankshaft			
5 Front Oil Seal		3228401R1	S.57822
Front Oil Seal Set (6 pieces)		3228133R93	S.57672
6 Rear Oil Seal		3138701R91	S.57670
Rear Main Gasket		3055215R2	S.57692



1 Conrod			
2 Small End Bush		3132018R2	S.57674
3 Conrod Bolt			
4 Conrod Nut			



1 Rocker Arm			
2 Collet			
3 Valve Retainer			
4 Valve Stem Seal Kit	8 pieces	3228677R91	S.57876
5 Inlet Valve Insert			
Exhaust Valve Insert			
6 Push Rod			
7 Tappet/Cam Follow er			
8 Valve Spring		3055060R1	S.57606
9 Valve Guide		129322A 1	S.57610
10 Inlet Valve		3055055R2	S.57602
Exhaust Valve		3055056R2	S.57604
11 Camshaft			
12 Camshaft Bush			
13 Oil Pump		3136430R95	S.57831

Sparex

Case IH

David Brown

Deutz

Fendt

Fiatagri

Ford

John Deere

M F

Renault

Zetor

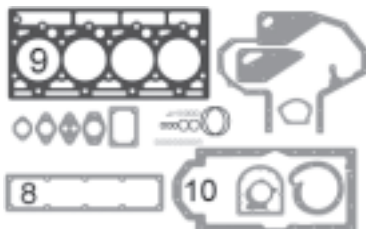
Case IH

Engine	Liner mm			Piston mm			Additional information
	Cyl.	Bore	Height	Pin	Height	Rings	
D268	4	100	216,1	36	107	3	

Models: 844S, 844XL, 845XL, 4230A



Description	Remarks	Replaces	Sparex
1 Piston and Liner Set (per Cyl.)		3218461R95	S.57852
2 Liner	Ring Carrier	3144682R3	S.57620
3 Piston			S.57631
4 Ring Set	Piston	3144677R91	S.57637
5 Liner Seal			3228344R1



6 Top Gasket Set		1967014C1	S.57678
7 Bottom Gasket Set		3228431R92	S.57690
8 Rocker Cover Gasket		3138642R1	S.57686
9 Head Gasket		3228362R2	S.57682
10 Sump Gasket		3144697R2	S.57697

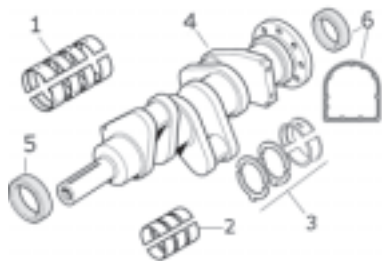
Case IH

David Brown

Deutz

Fendt

Fiatagri



1	Standard	3055129/30R21	S.57655
+ Main Bearings (1 set)	0,010"	3056820/32R21	S.57660
	0,020"	3056875/77R21	S.57661
	0,030"	3055776/79R21	S.57662
2 Conrod Bearings (1 set)	STD (32mm)	3055351R91	S.57639
	0,010"	3056834R11	S.57644
	0,020"	3056879R11	S.57645
	0,030"	3055781R11	S.57646
4 Crankshaft		3228376R91	S.75971
5 Front Oil Seal		3228401R1	S.57822
Front Oil Seal Set (6 pieces)		3228133R93	S.57672
6 Rear Oil Seal		3138701R91	S.57670
Rear Main Gasket		3055215R2	S.57692

Ford



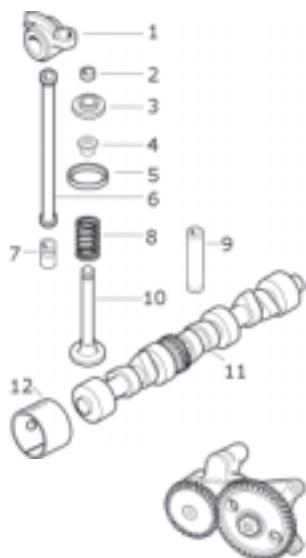
1 Conrod			
2 Small End Bush		3132018R2	S.57674
3 Conrod Bolt			
4 Conrod Nut			

John Deere

M F

Renault

Zetor



1 Rocker Arm			
2 Collet			
3 Valve Retainer			
4 Valve Stem Seal Kit	8 pieces	3228677R91	S.57876
5 Inlet Valve Insert			
Exhaust Valve Insert			
6 Push Rod			
7 Tappet/Cam Follow er			
8 Valve Spring		3055060R1	S.57606
9 Valve Guide		129322A1	S.57610
10 Inlet Valve		3055055R2	S.57602
Exhaust Valve		3055056R2	S.57604
11 Camshaft			
12 Camshaft Bush			

13 Oil Pump		3136430R95	S.57831
-------------	--	------------	----------------

Case IH

Engine	Liner mm			Piston mm			Additional information
	Cyl.	Bore	Height	Pin	Height	Rings	
DT268	4	100	216,1	38	106,9	3	

Models: 4240

Sparex

Case IH

David Brown

Deutz

Fendt

Fiatagri

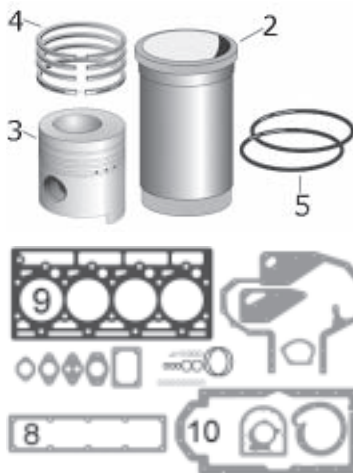
Ford

John Deere

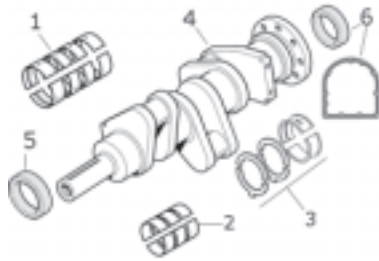
M F

Renault

Zetor



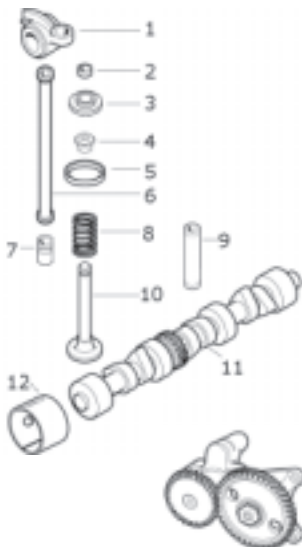
Description	Remarks	Replaces	Sparex
1 Piston and Liner Set (per Cyl.)			S.37846
2 Liner	Ring Carrier	3144682R4	S.57620
3 Piston and Rings		Piston	3144677R91
4 Ring Set		3228344R1	S.57637
5 Liner Seal			S.57622
6 Top Gasket Set		1967014C1	S.57678
7 Bottom Gasket Set		3228431R92	S.57690
8 Rocker Cover Gasket		3138642R1	S.57686
9 Head Gasket		3228362R2	S.57682
10 Sump Gasket		3144697R2	S.57697



1	Standard	3055129/30R21	S.57655
+ Main Bearings (1 set)	0,010"	3056820/32R21	S.57660
3	0,020"	3056875/77R21	S.57661
	0,030"	3055776/79R21	S.57662
	STD (32mm)	3055351R91	S.57639
2 Conrod Bearings (1 set)	0,010"	3056834R11	S.57644
	0,020"	3056879R11	S.57645
	0,030"	3055781R11	S.57646
4 Crankshaft			
5 Front Oil Seal		3228401R1	S.57822
Front Oil Seal Set (6 pieces)		3228133R93	S.57672
6 Rear Oil Seal		3138701R91	S.57670
Rear Main Gasket		3055215R2	S.57692



1 Conrod			
2 Small End Bush			
3 Conrod Bolt			
4 Conrod Nut			

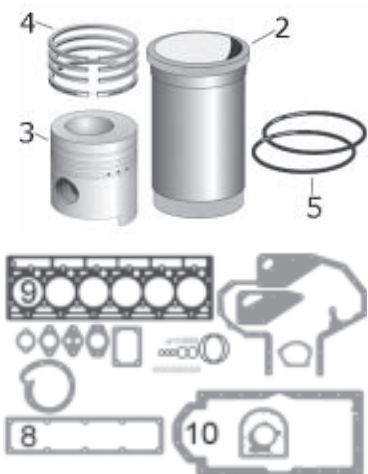


1 Rocker Arm			
2 Collet			
3 Valve Retainer			
4 Valve Stem Seal Kit	8 pieces	3228677R91	S.57876
5 Inlet Valve Insert			
Exhaust Valve Insert			
6 Push Rod			
7 Tappet/Cam Follow er			
8 Valve Spring		3055060R1	S.57606
9 Valve Guide		129322A 1	S.57610
10 Inlet Valve		3055055R2	S.57602
Exhaust Valve		3055056R2	S.57604
11 Camshaft			
12 Camshaft Bush			
13 Oil Pump		3136430R95	S.57831

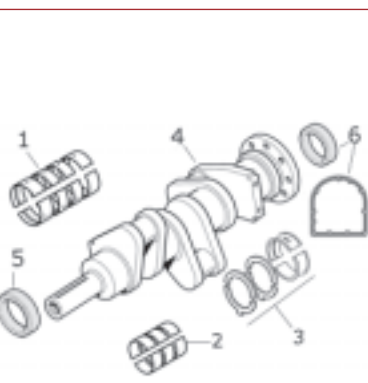
Case IH

Engine	Liner mm			Piston mm			Additional information
	Cyl.	Bore	Height	Pin	Height	Rings	
D310	6	98	201,1	36	102 107	3	

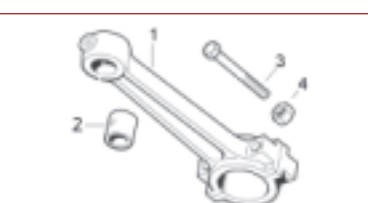
Models: 946, 955



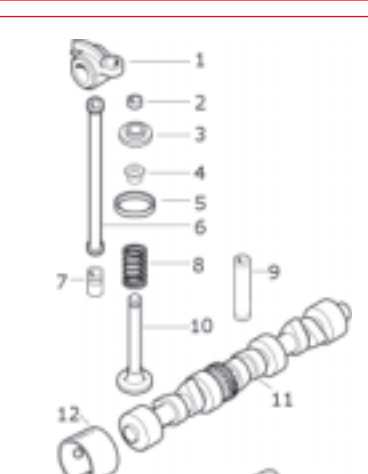
Description	Remarks	Replaces	Sparex
1 Piston and Liner Set (per Cyl.)		3218758R95	S.57847
2 Liner		3139587R3	S.57616
3 Piston (102mm)			S.57625
4 Ring Set		3218416R92	S.57632
5 Liner Seal		3228344R1	S.57622
1 Piston and Liner Set (per Cyl.)	Ring Carrier Piston	3139591R95	S.57850
2 Liner		3139587R3	S.57616
3 Piston (107mm)		3139591R92	S.57624
4 Ring Set		3139594R91	S.57633
5 Liner Seal		3228344R1	S.57622
6 Top Gasket Set		3136801R99	S.57679
7 Bottom Gasket Set		1967013C1	S.57691
8 Rocker Cover Gasket		3138688R1	S.57687
9 Head Gasket		3228019R2	S.57683
10 Sump Gasket		3055987R2	S.57698



1	Standard	3055129/30R21	S.57656
+ Main Bearings (1 set)	0,010"	3056820/32R21	S.57663
	0,020"	3056875/77R21	S.57664
	0,030"	3055776/79R21	S.57665
	STD (32mm)	3055351R91	S.57640
2 Conrod Bearings (1 set)	0,010"	3056834R11	S.57647
	0,020"	3056879R11	S.57648
	0,030"	3055781R11	S.57649
4 Crankshaft			
5 Front Oil Seal		3228401R1	S.57822
Front Oil Seal Set (6 pieces)		3228133R93	S.57672
6 Rear Oil Seal		3138701R91	S.57670
Rear Main Gasket		3055215R2	S.57692



1 Conrod			
2 Small End Bush		3132018R2	S.57674
3 Conrod Bolt			
4 Conrod Nut			



1 Rocker Arm			
2 Collet			
3 Valve Retainer			
4 Valve Stem Seal Kit	6 pieces	3218399R91	S.57615
5 Inlet Valve Insert			
Exhaust Valve Insert			
6 Push Rod			
7 Tappet/Cam Follow er			
8 Valve Spring		3055060R1	S.57606
9 Valve Guide		129322A1	S.57610
10 Inlet Valve		3055055R2	S.57602
Exhaust Valve		3055056R2	S.57604
11 Camshaft			
12 Camshaft Bush			

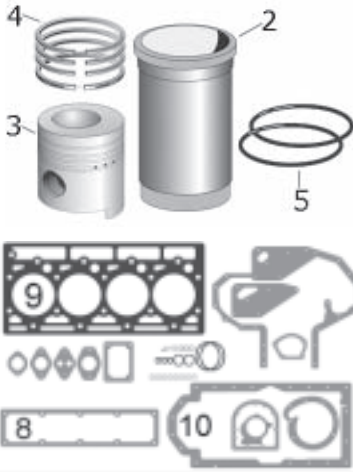


13 Oil Pump		3136433R95	S.57716
-------------	--	------------	----------------

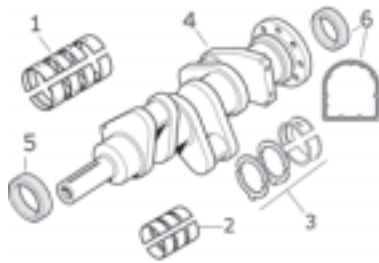
Case IH

Engine	Liner mm			Piston mm			Additional information
	Cyl.	Bore	Height	Pin	Height	Rings	
DT239	4	98	216,1	38	107	3	

Models: 856



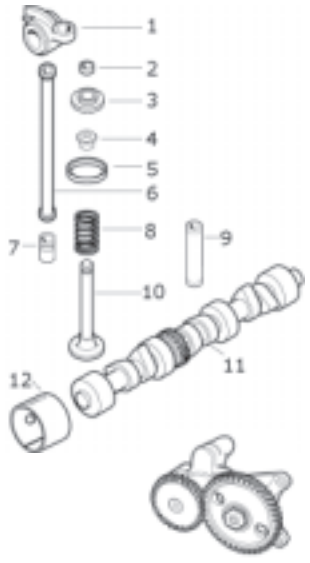
Description	Remarks	Replaces	Sparex
1 Piston and Liner Set (per Cyl.)		3144516R97	S.37844
2 Liner		3139592R4	S.57617
3 Piston and Rings (107mm)			S.37824
4 Ring Set			S.57632
5 Liner Seal		3228344R1	S.57622
6 Top Gasket Set		1967014C1	S.57678
7 Bottom Gasket Set		3228431R92	S.57690
8 Rocker Cover Gasket		3138642R1	S.57686
9 Head Gasket		3228362R2	S.57682
10 Sump Gasket		3144697R2	S.57696



1	Standard	3055129/30R21	S.57655
+ Main Bearings (1 set)	0,010"	3056820/32R21	S.57660
3	0,020"	3056875/77R21	S.57661
	0,030"	3055776/79R21	S.57662
	STD (32mm)	3055351R91	S.57639
2 Conrod Bearings (1 set)	0,010"	3056834R11	S.57644
	0,020"	3056879R11	S.57645
	0,030"	3055781R11	S.57646
4 Crankshaft			
5 Front Oil Seal		3228401R1	S.57822
Front Oil Seal Set (6 pieces)		3228133R93	S.57672
6 Rear Oil Seal		3138701R91	S.57670
Rear Main Gasket		3055215R2	S.57692



1 Conrod			
2 Small End Bush			
3 Conrod Bolt			
4 Conrod Nut			



1 Rocker Arm			
2 Collet			
3 Valve Retainer			
4 Valve Stem Seal Kit	8 pieces	3228677R91	S.57876
5 Inlet Valve Insert			
Exhaust Valve Insert			
6 Push Rod			
7 Tappet/Cam Follow er			
8 Valve Spring		3055060R1	S.57606
9 Valve Guide		129322A1	S.57610
10 Inlet Valve		3055055R2	S.57602
Exhaust Valve		3055056R2	S.57604
11 Camshaft			
12 Camshaft Bush			
13 Oil Pump		3136430R95	S.57831

Sparex

Case IH

David Brown

Deutz

Fendt

Fiatagri

Ford

John Deere

M F

Renault

Zetor

Case IH

Engine	Liner mm			Piston mm			Additional information
	Cyl.	Bore	Height	Pin	Height	Rings	
D358	6	98	216,1	36	107	3	

Models: 955, 956, 1046, 1055, 1056,



Description	Remarks	Replaces	Sparex
1 Piston and Liner Set (per Cyl.)		32118759R95	S.57848
2 Liner		3139592R4	S.57617
3 Piston			S.57627
4 Ring Set		3218416R92	S.57632
5 Liner Seal		3228344R1	S.57622
1 Piston and Liner Set (per Cyl.)	Ring Carrier Piston	3139591R96	S.57849
2 Liner		3139592R4	S.57617
3 Piston			S.57626
4 Ring Set		3139594R91	S.57633
5 Liner Seal		3228344R1	S.57622
6 Top Gasket Set		3136801R99	S.57679
7 Bottom Gasket Set		1967013C1	S.57691
8 Rocker Cover Gasket		3138688R1	S.57687
9 Head Gasket		3228019R2	S.57683
10 Sump Gasket		3055987R2	S.57698

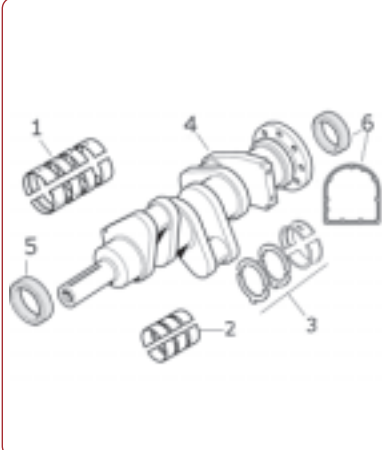
Case IH

David Brown

Deutz

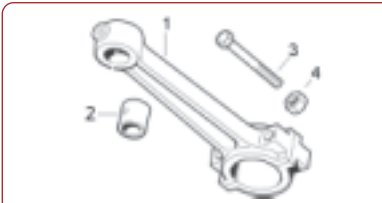
Fendt

Fiatagri



1	Standard	3055129/30R21	S.57656
+ Main Bearings (1 set)	0,010"	3056820/32R21	S.57663
	0,020"	3056875/77R21	S.57664
	0,030"	3055776/79R21	S.57665
	STD (32mm)	3055351R91	S.57640
2 Conrod Bearings (1 set)	0,010"	3056834R11	S.57647
	0,020"	3056879R11	S.57648
	0,030"	3055781R11	S.57649
4 Crankshaft	6-Cylinder	3136036R95	S.310000
5 Front Oil Seal		3228401R1	S.57822
Front Oil Seal Set (6 pieces)		3228133R93	S.57672
6 Rear Oil Seal		3138701R91	S.57670
Rear Main Gasket		3055215R2	S.57692

Ford



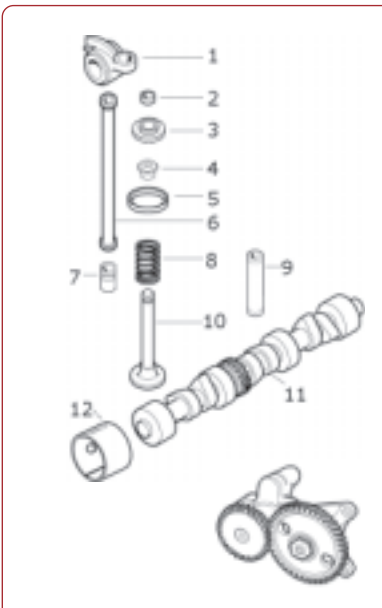
1 Conrod			
2 Small End Bush		3132018R2	S.57674
3 Conrod Bolt			
4 Conrod Nut			

John Deere

M F

Renault

Zetor



1 Rocker Arm			
2 Collet			
3 Valve Retainer			
4 Valve Stem Seal Kit	6 pieces	3218399R91	S.57615
5 Inlet Valve Insert			
Exhaust Valve Insert			
6 Push Rod			
7 Tappet/Cam Follow er			
8 Valve Spring		3055060R1	S.57606
9 Valve Guide		129322A1	S.57610
10 Inlet Valve		3055055R2	S.57602
Exhaust Valve		3055056R2	S.57604
11 Camshaft			
12 Camshaft Bush			
13 Oil Pump		3136433R95	S.57716

Case IH

Engine	Liner mm			Piston mm			Additional information
	Cyl.	Bore	Height	Pin	Height	Rings	
DT358	6	98	216,1	38	107	3	

Models: 1246, 1255

Sparex

Case IH

David Brown

Deutz

Fendt

Fiatagri

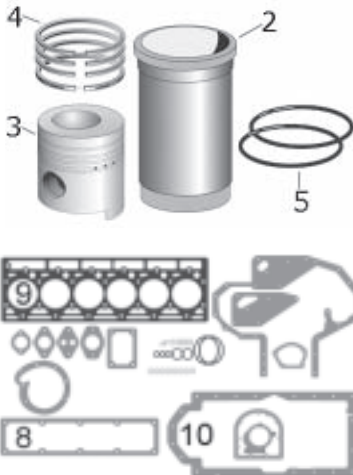
Ford

John Deere

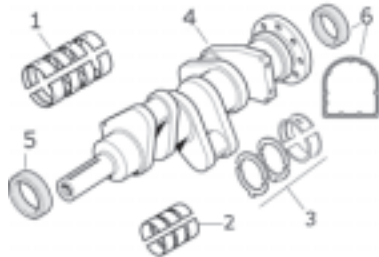
M F

Renault

Zetor



Description	Remarks	Replaces	Sparex
1 Piston and Liner Set (per Cyl.)		3144516R97	S.37844
2 Liner		3139592R4	S.57617
3 Piston and Rings (107mm)			S.37824
4 Ring Set		3218416R92	S.57632
5 Liner Seal		3228344R1	S.57622
6 Top Gasket Set		3138751R96	S.38979
7 Bottom Gasket Set		1967013C1	S.57691
8 Rocker Cover Gasket		3138688R1	S.57687
9 Head Gasket		3228019R2	S.57683
10 Sump Gasket		3055987R2	S.57698



1	Standard	3055129/30R21	S.57656
+ Main Bearings (1 set)	0,010"	3056820/32R21	S.57663
3	0,020"	3056875/77R21	S.57664
	0,030"	3055776/79R21	S.57665
	STD (32mm)	3055351R91	S.57640
2 Conrod Bearings (1 set)	0,010"	3056834R11	S.57647
	0,020"	3056879R11	S.57648
	0,030"	3055781R11	S.57649
4 Crankshaft			
5 Front Oil Seal		3228401R1	S.57822
Front Oil Seal Set (6 pieces)		3228133R93	S.57672
6 Rear Oil Seal		3138701R91	S.57670
Rear Main Gasket		3055215R2	S.57692



1 Conrod			
2 Small End Bush			
3 Conrod Bolt			
4 Conrod Nut			



1 Rocker Arm			
2 Collet			
3 Valve Retainer			
4 Valve Stem Seal Kit	6 pieces	3218399R91	S.57615
5 Inlet Valve Insert			
Exhaust Valve Insert			
6 Push Rod			
7 Tappet/Cam Follow er			
8 Valve Spring		3055060R1	S.57606
9 Valve Guide		129322A 1	S.57610
10 Inlet Valve		3055055R2	S.57602
Exhaust Valve		3055056R2	S.57604
11 Camshaft			
12 Camshaft Bush			
13 Oil Pump		3136433R95	S.57716

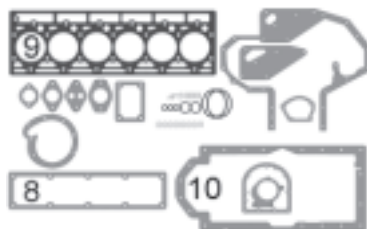
Case IH

Engine	Liner mm			Piston mm			Additional information
	Cyl.	Bore	Height	Pin	Height	Rings	
DT402	6	100	216,1	38	107	3	

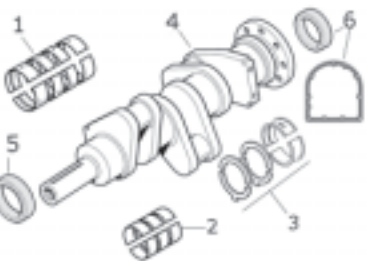
Models: 1455



Description	Remarks	Replaces	Sparex
1 Piston and Liner Set (per Cyl.)			S.37845
2 Liner		3144682R4	S.57620
3 Piston and Rings			S.37825
4 Ring Set			S.37827
5 Liner Seal		3228344R1	S.57622



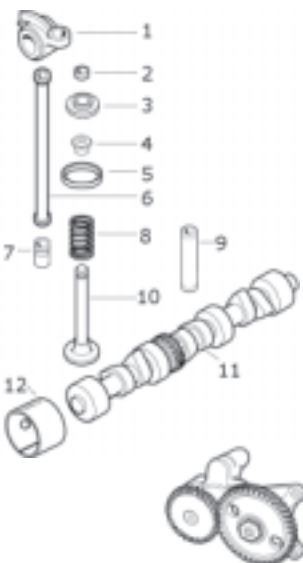
6 Top Gasket Set		3138751R96	S.38979
7 Bottom Gasket Set		1967013C1	S.57691
8 Rocker Cover Gasket		3138688R1	S.57687
9 Head Gasket		3228019R2	S.57683
10 Sump Gasket		3055987R2	S.57698



1	Standard	3055129/30R21	S.57656
+ Main Bearings (1 set)	0,010"	3056820/32R21	S.57663
	0,020"	3056875/77R21	S.57664
	0,030"	3055776/79R21	S.57665
	STD (32mm)	3055351R91	S.57640
2 Conrod Bearings (1 set)	0,010"	3056834R11	S.57647
	0,020"	3056879R11	S.57648
	0,030"	3055781R11	S.57649
4 Crankshaft			
5 Front Oil Seal		3228401R1	S.57822
Front Oil Seal Set (6 pieces)		3228133R93	S.57672
6 Rear Oil Seal		3138701R91	S.57670
Rear Main Gasket		3055215R2	S.57692



1 Conrod			
2 Small End Bush			
3 Conrod Bolt			
4 Conrod Nut			



1 Rocker Arm			
2 Collet			
3 Valve Retainer			
4 Valve Stem Seal Kit	6 pieces	3218399R91	S.57615
5 Inlet Valve Insert			
Exhaust Valve Insert			
6 Push Rod			
7 Tappet/Cam Follower			
8 Valve Spring		3055060R1	S.57606
9 Valve Guide		129322A1	S.57610
10 Inlet Valve		3055055R2	S.57602
Exhaust Valve		3055056R2	S.57604
11 Camshaft			
12 Camshaft Bush			
13 Oil Pump		3136433R95	S.57716

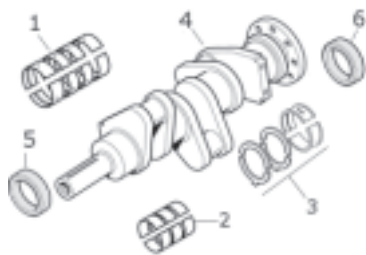
Case IH

Engine	Liner mm			Piston mm			Additional information
	Cyl.	Bore	Height	Pin	Height	Rings	
D66	2	82,55	179,5	28	99	5	

Models: 212, 214, 215



Description	Remarks	Replaces	Sparex
1 Piston and Liner Set (per Cyl.)		3054295R91	S.37840
2 Liner			S.37829
3 Piston and Rings			S.37820
4 Ring Set			
5 Liner Seal			
6 Top Gasket Set		3051138R92	S.38976
7 Bottom Gasket Set			
8 Rocker Cover Gasket			
9 Head Gasket			
10 Sump Gasket			

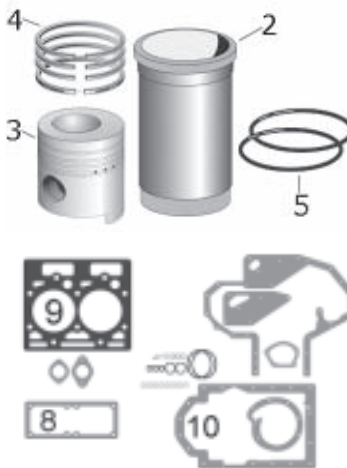


1 Main Bearings (1 set)	Standard		S.37853
2 Conrod Bearings (1 pair)	Standard	710227R1	S.37848

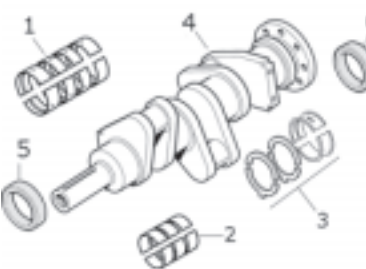
Case IH

Engine	Liner mm			Piston mm			Additional information
	Cyl.	Bore	Height	Pin	Height	Rings	
D74	2	87,31	179,4	28	99	5	

Models: 217, 219



Description	Remarks	Replaces	Sparex
1 Piston and Liner Set (per Cyl.)		714852R98	S.37842
2 Liner			S.37810
3 Piston and Rings			S.37822
4 Ring Set			S.37830
5 Liner Seal			S.38998
6 Top Gasket Set		3051140R92	S.38974
7 Bottom Gasket Set			
8 Rocker Cover Gasket			
9 Head Gasket			
10 Sump Gasket			



1 Main Bearings (1 set)	Standard		S.37853
2 Conrod Bearings (1 pair)	Standard	710227R1	S.37848

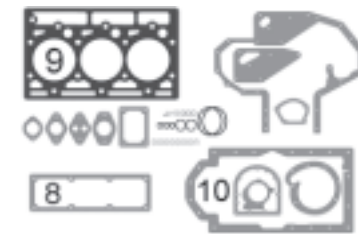
Case IH

Engine	Liner mm			Piston mm			Additional information
	Cyl.	Bore	Height	Pin	Height	Rings	
D99	3	82,5	179,5	28	99	5	

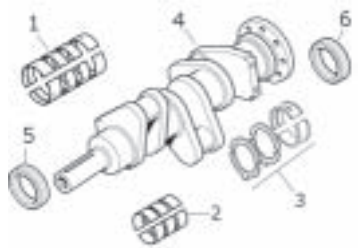
Models: 320, 322



Description	Remarks	Replaces	Sparex
1 Piston and Liner Set (per Cyl.)		3054295R91	S.37840
2 Liner			S.37829
3 Piston and Rings			S.37820
4 Ring Set			
5 Liner Seal			



6 Top Gasket Set		3051142R92	S.38975
7 Bottom Gasket Set			
8 Rocker Cover Gasket			
9 Head Gasket			
10 Sump Gasket			



1 Main Bearings (1 set)	Standard		S.37853
2 Conrod Bearings (1 pair)	Standard	710227R1	S.37848

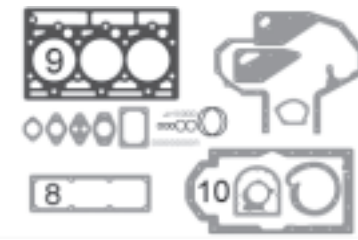
Case IH

Engine	Liner mm			Piston mm			Additional information
	Cyl.	Bore	Height	Pin	Height	Rings	
D111	3	87,31	179,4	28	99	5	

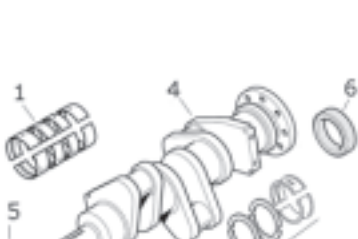
Models: 323, 324, 326



Description	Remarks	Replaces	Sparex
1 Piston and Liner Set (per Cyl.)		714852R98	S.37842
2 Liner			S.37810
3 Piston and Rings			S.37822
4 Ring Set			S.37830
5 Liner Seal			S.38998



6 Top Gasket Set		3051144R92	S.38977
7 Bottom Gasket Set			
8 Rocker Cover Gasket		711079R2	S.38982
9 Head Gasket		714886R2	S.38981
10 Sump Gasket		B502921	S.38984



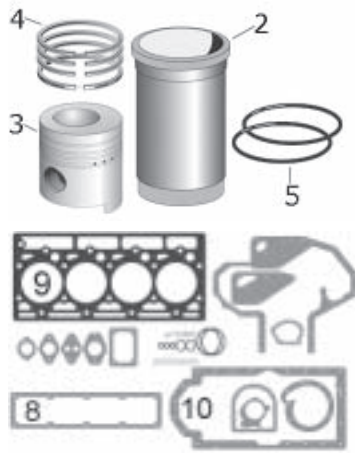
1 Main Bearings (1 set)	Standard		S.37853
2 Conrod Bearings (1 pair)	Standard	710227R1	S.37848



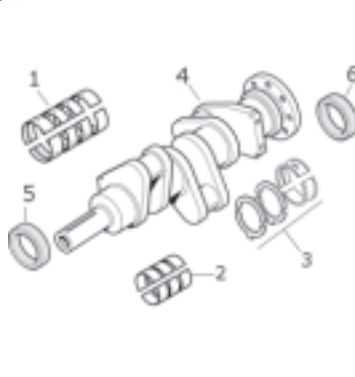
5 Front Oil Seal			
6 Rear Oil Seal			S.38992
6 Rear Main Gasket			

Case IH	Engine	Liner mm			Piston mm			Additional information
		Cyl.	Bore	Height	Pin	Height	Rings	
	D132	4	82,55	179,5	28	99	5	

Models: 430, 432, 440



Description	Remarks	Replaces	Sparex
1 Piston and Liner Set (per Cyl.)		3054295R91	S.37840
2 Liner			S.37829
3 Piston and Rings			S.37820
4 Ring Set			
5 Liner Seal			
6 Top Gasket Set		3051146R92	S.38973
7 Bottom Gasket Set			
8 Rocker Cover Gasket		716455R2	S.38983
9 Head Gasket		717530R1	S.38980
10 Sump Gasket			



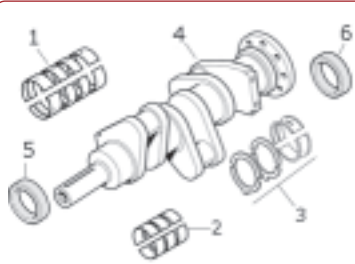
1 Main Bearings (1 set)	Standard		S.37853
2 Conrod Bearings (1 pair)	Standard	710227R1	S.37848
5 Front Oil Seal			
6 Rear Oil Seal		712209R2	S.38992
6 Rear Main Gasket			

Case IH	Engine	Liner mm			Piston mm			Additional information
		Cyl.	Bore	Height	Pin	Height	Rings	
	D148	4	87,31	179,4	28	99	4	

Models: 436, 438, 439



Description	Remarks	Replaces	Sparex
1 Piston and Liner Set (per Cyl.)		718201R96	S.37841
2 Liner			S.37813
3 Piston and Rings			S.37821
4 Ring Set			
5 Liner Seal			
6 Top Gasket Set		3051148R92	S.38978
7 Bottom Gasket Set			
8 Rocker Cover Gasket		716455R2	S.38983
9 Head Gasket		718864R1	S.38997
10 Sump Gasket			

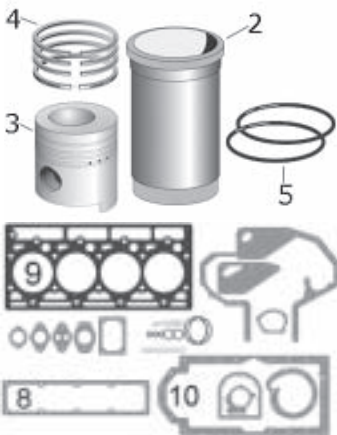


1 Main Bearings (1 set)	Standard		S.37853
2 Conrod Bearings (1 pair)	Standard	710227R1	S.37848

Case IH

Engine	Liner mm			Piston mm			Additional information
	Perkins	Cyl.	Bore	Height	Pin	Height	
1004-40T	4	100	226,44	38,1	108,06	5	

Models: C70, C80, C90, C100, CX70, CX80, CX90, CX100, MX80C, MX90C



Description	Remarks	Replaces	Sparex
1 Piston and Liner Set (per Cyl.)			S.42737
2 Liner		293041A1FIN	S.42431
3 Piston			S.42436
4 Ring Set (3 rings)			S.42437
6 Top Gasket Set		315988A1	S.42401
7 Bottom Gasket Set			S.30025
8 Rocker Cover Gasket		414835A1	S.42403
9 Head Gasket		291958A1	S.42400
10 Sump Gasket		291981A1	S.30012

Case IH

David Brown

Deutz

Fendt

Fiatagri

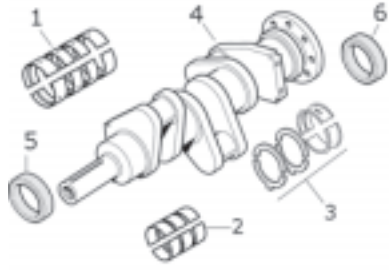
Ford

John Deere

M F

Renault

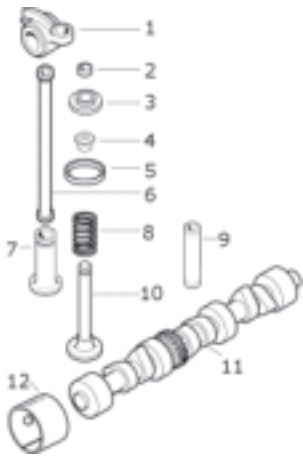
Zetor



1 Main Bearings (1 set)	Standard	311850R1	S.40339
	0,010"	311851R1	S.40340
	0,020"	311852R1	S.40341
	0,030"	3118153R1	S.40342
2 Conrod Bearings (1 set)	Standard	218627A1	S.42972
	0,010"	218628A1	S.42973
	0,020"	218629A1	S.42974
0,030"	218629A1	S.30026	
3 Thrust Washers (1 set)	Standard	218292/94A1	S.40345
4 Crankshaft		291956A1	S.30027
5 Front Oil Seal		218375A1	S.40351
6 Rear Oil Seal		218271A1	S.40356



1 Conrod		293198A1	S.30028
2 Small End Bush			S.42247
3 Conrod Bolt and Nut		292994A1	S.40363
4 Conrod Nut			S.41329



1 Rocker Arm (LH)		293172A1	S.30017
1 Rocker Arm (RH)		293173A1	S.30018
2 Collet		293047A1	S.41413
3 Valve Retainer		293140A1	
4 Valve Stem Seal Kit		293182A1	S.41325
5 Valve Insert / Seal			
6 Push Rod		795728R1	S.30019
7 Tappet/Cam Follow er		291962A1	S.41918
8 Inner Valve Spring			S.30014
8 Outer Valve Spring		293124A1	S.30015
9 Inlet Valve Guide		293136A1	S.40496
9 Exhaust Valve Guide		293133A1	S.41539
Inlet Valve	C80; C90	298751A1	S.30029
10 Inlet Valve	C100	293131A1	S.42439
Exhaust Valve	293753A1	748309M1	S.41745
11 Camshaft		293189A1	S.30016
12 Camshaft Bush		291951A1	S.41399



13 Oil Pump		293177A1	S.42434
-------------	--	----------	----------------

Case IH

Engine

Liner mm

Piston mm

4T.390

Cyl. 4

Bore 102

Height 200

Pin 40

Height 105,36

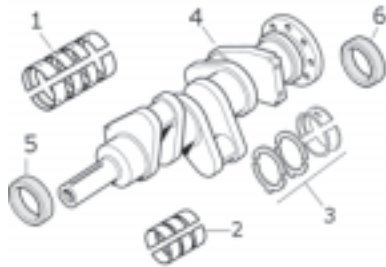
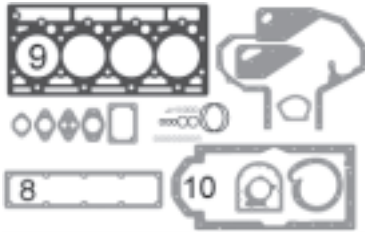
Rings 3

Additional information

Models: 5120



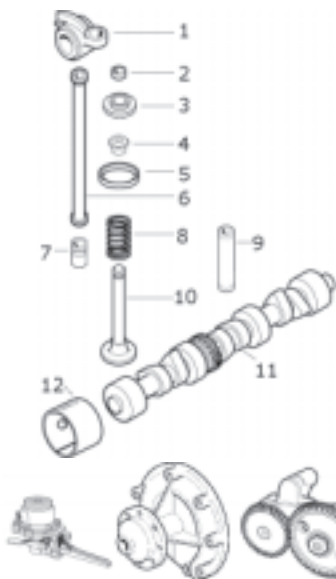
Description	Remarks	Replaces	Sparex
1 Piston and Liner Set (per Cyl.)			
2 Semi Finished Liner		J904166	S.59553
3 Piston and Rings	Standard	A77730	S.59550
	0,50mm	A77731	S.57488
	1,00mm	A77732	S.57490
4 Ring Set	Standard	A77727	S.59548
	0,50mm	A77728	S.57489
	1,00mm	A77729	S.57491
6 Top Gasket Set		A77975	S.59500
7 Bottom Gasket Set		A77860	S.59501
8 Rocker Cover Gasket		J930906	S.59504
9 Head Gasket		J283337	S.59502
10 Sump Gasket			S.30091



1 Main Bearings (1 pair)	Standard	A77405	S.59558
	0,25mm	A77472	S.59559
	0,50mm	A77474	S.59560
2 Conrod Bearings (1 pair)	Standard	A77465	S.59554
	0,25mm	A77466	S.59555
	0,50mm	A77467	S.59556
3 Thrust Washers (1 pair)	Standard	A77406	S.59561
	0,25mm	A77473	S.59562
	0,50mm	A77475	S.59563
4 Crankshaft		J920280	S.30072
5 Front Oil Seal			S.59506
6 Rear Oil Seal			S.59505



1 Conrod		J925232	S.30067
2 Small End Bush		J901085	S.30063
3 Conrod Bolt		J900919	S.30062
4 Conrod Nut			



1 Rocker Arm (LH)		J910811	S.30075
	Rocker Arm (RH)	J910810	S.30074
2 Collet		J900250	S.30060
3 Valve Retainer		J900299	S.30092
4 Valve Stem Seal Kit		J901097	S.30082
6 Push Rod		J904679	S.30070
7 Tappet/Cam Follow er		J931623	S.30087
8 Inner and Outer Valve Spring		J926700	S.30061
9 Inlet/Exhaust Valve Guide	14mm	J906206	S.30069
10 Inlet Valve		J920867	S.59546
	Exhaust Valve	J920868	S.59547
11 Camshaft		J929039	S.30088
12 Camshaft Bush		J903242	
13 Oil Pump		J930336	S.59564
14 Fuel Pump		J928143	S.57742
15 Water Pump		A77703	S.57862

Sparex

Case IH

David Brown

Deutz

Fendt

Fiatagri

Ford

John Deere

M F

Renault

Zetor

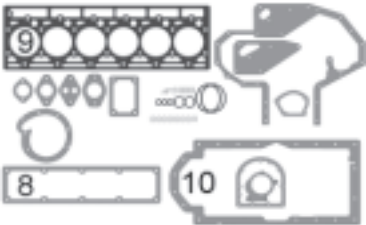
Case IH

Engine	Liner mm			Piston mm			Additional information
	Cyl.	Bore	Height	Pin	Height	Rings	
6.590	6	102	200	40	105,36	3	

Models: 5130



Description	Remarks	Replaces	Sparex
1 Piston and Liner Set (per Cyl.)			
2 Semi Finished Liner		J904166	S.59553
3 Piston and Rings	Standard	A77410	S.59552
	0,50mm	A77411	S.57484
	1,00mm	A77412	S.57486
4 Ring Set	Standard	A77401	S.59549
	0,50mm	A77463	S.57485
	1,00mm	A77464	S.57487
6 Top Gasket Set		A77925	S.59507
7 Bottom Gasket Set		A77979	S.59508
8 Rocker Cover Gasket		J930906	S.59504
9 Head Gasket		J283335	S.59509
10 Sump Gasket			S.30090



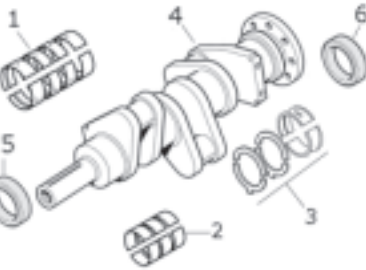
Case IH

David Brown

Deutz

Fendt

Fiatagri



1 Main Bearings (1 pair)	Standard	A77405	S.59558
	0,25mm	A77472	S.59559
	0,50mm	A77474	S.59560
2 Conrod Bearings (1 pair)	Standard	A77465	S.59554
	0,25mm	A77466	S.59555
	0,50mm	A77467	S.59556
3 Thrust Washers (1 pair)	Standard	A77406	S.59561
	0,25mm	A77473	S.59562
	0,50mm	A77475	S.59563
4 Crankshaft		J908032	S.30073
5 Front Oil Seal			S.59506
6 Rear Oil Seal			S.59505

Ford



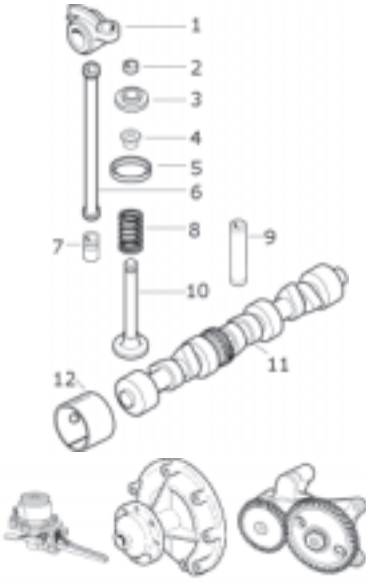
1 Conrod		J925232	S.30067
2 Small End Bush		J901085	S.30063
3 Conrod Bolt		J900919	S.30062
4 Conrod Nut			

John Deere

M F

Renault

Zetor

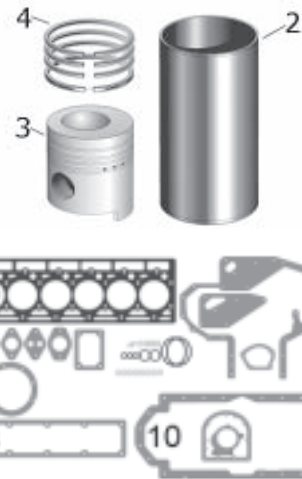


1	Rocker Arm (LH)	J910811	S.30075
	Rocker Arm (RH)	J910810	S.30074
2	Collet	J900250	S.30060
3	Valve Retainer	J900299	S.30092
4	Valve Stem Seal Kit	J901097	S.30082
6	Push Rod	J904679	S.30070
7	Tappet/Cam Follow er	J931623	S.30087
8	Inner and Outer Valve Spring	J900276	S.30061
9	Inlet/Exhaust Valve Guide	14mm J906206	S.30069
10	Inlet Valve	J920867	S.59546
	Exhaust Valve	J920868	S.59547
11	Camshaft	J929039	S.30078
12	Camshaft Bush	J903242	
13	Oil Pump	J937404	S.59565
14	Fuel Pump	J928143	S.57742
15	Water Pump	A77703	S.57862

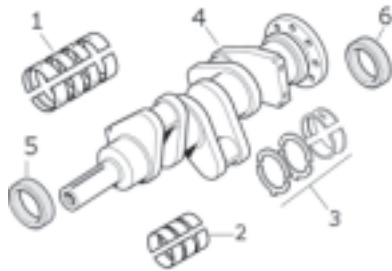
Case IH

Engine	Liner mm			Piston mm			Additional information
	Cyl.	Bore	Height	Pin	Height	Rings	
6T.590	6	102	200	40	105,36	3	

Models: 5140, 5150, 5240, 5250, MX100, MX110, MX120, MX135, MX150, MX170



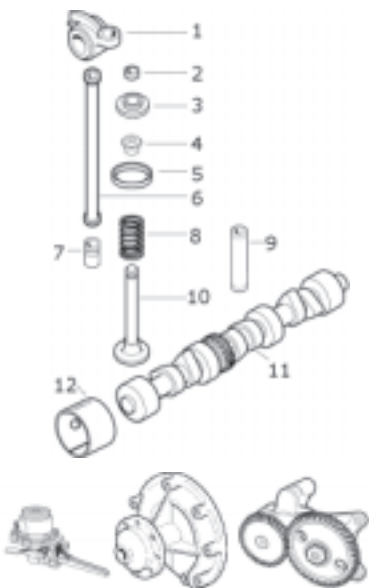
Description	Remarks	Replaces	Sparex
1 Piston and Liner Set (per Cyl.)			
2 Semi Finished Liner		J904166	S.59553
3 Piston and Rings	Standard	A77730	S.59550
	0,50mm	A77731	S.57488
	1,00mm	A77732	S.57490
4 Ring Set	Standard	A77727	S.59548
	0,50mm	A77728	S.57489
	1,00mm	A77729	S.57491
6 Top Gasket Set		A77925	S.59507
7 Bottom Gasket Set		A77979	S.59508
8 Rocker Cover Gasket		J930906	S.59504
9 Head Gasket		J283335	S.59509
10 Sump Gasket			S.30090



1 Main Bearings (1 pair)	Standard	A77405	S.59558
	0,25mm	A77472	S.59559
	0,50mm	A77474	S.59560
2 Conrod Bearings (1 pair)	Standard	A77465	S.59554
	0,25mm	A77466	S.59555
	0,50mm	A77467	S.59556
3 Thrust Washers (1 pair)	Standard	A77406	S.59561
	0,25mm	A77473	S.59562
	0,50mm	A77475	S.59563
4 Crankshaft		J908032	S.30073
5 Front Oil Seal			S.59506
6 Rear Oil Seal			S.59505



1 Conrod	J925232	S.30067
2 Small End Bush	J901085	S.30063
3 Conrod Bolt	J900919	S.30062
4 Conrod Nut		



1	Rocker Arm (LH)	J910811	S.30075
	Rocker Arm (RH)	J910810	S.30074
2	Collet	J900250	S.30060
3	Valve Retainer	J900299	S.30092
4	Valve Stem Seal Kit	J901097	S.30082
6	Push Rod	J904679	S.30070
7	Tappet/Cam Follow er	J931623	S.30087
8	Inner and Outer Valve Spring	J900276	S.30061
9	Inlet/Exhaust Valve Guide	14mm	J906206
			S.30069
10	Inlet Valve	J920867	S.59546
	Exhaust Valve	J920868	S.59547
11	Camshaft	J929039	S.30078
12	Camshaft Bush	J903242	
13	Oil Pump	J937404	S.59565
14	Fuel Pump	J928143	S.57742
15	Water Pump	A77703	S.57862

Sparex

Case IH

David Brown

Deutz

Fendt

Fiatagri

Ford

John Deere

M F

Renault

Zetor

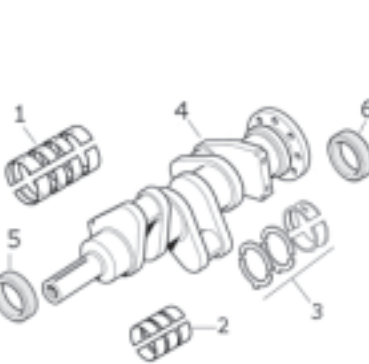
Case IH

Engine	Liner mm			Piston mm			Additional information
	Cyl.	Bore	Height	Pin	Height	Rings	
6T.830	6	114	237,1	45		3	

Models: 7110, 7120, 7130, 7140, 7210, 7220, 7230, MX180



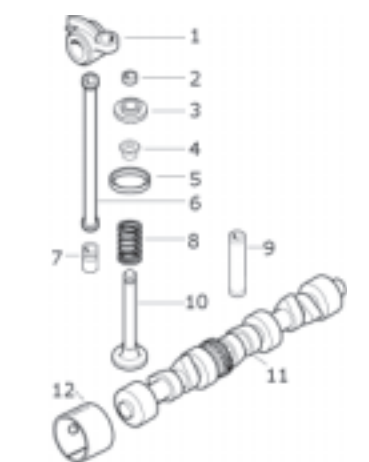
Description	Remarks	Replaces	Sparex
1 Piston and Liner Set (per Cyl.)	>44706125	A77774	S.30058
2 Liner (132,95mm)	4 mm	J907792	S.30057
3 Piston	Cylinder	A77773	S.30068
4 Ring Set	Wall	J802429	S.30056
5 Liner Seal		J907177	S.30083
1 Piston and Liner Set (per Cyl.)	44706126>	A77799	S.30059
2 Liner (130,95mm)	6 mm	J919937	S.30084
3 Piston	Cylinder	A77773	S.30068
4 Ring Set	Wall	J802429	S.30056
5 Liner Seal		J907177	S.30083
6 Top Gasket Set		A77794	S.30052
7 Bottom Gasket Set		A77718	S.30051
8 Rocker Cover Gasket		J905449	
9 Head Gasket		J921850	
10 Sump Gasket			S.30077



1	Standard	A77711	S.30053
+ Main Bearings (1 set)	0,25mm	A77712	S.30054
3	0,50mm	A77713	S.30055
	Standard	A77563	S.30064
2 Conrod Bearing (1 half) order 12	0,25mm	A77564	S.30065
	0,50mm	A77565	S.30066
	Standard	A77706	
3 Thrust Washers (1 set)	0,25mm	A77707	
	0,50mm	A77708	
4 Crankshaft		J917443	S.30081
5 Front Oil Seal		A77790	S.30050
6 Rear Oil Seal		J909410	S.59505



1 Conrod		J901383	
2 Small End Bush		J913990	S.30076
3 Conrod Bolt		J901380	
4 Conrod Nut		J901381	



1	Rocker Arm (LH) Rocker Arm (RH)		
2	Collet		
3	Valve Retainer	J912976	S.30093
4	Valve Stem Seal Kit	J915707	S.30079
6	Push Rod	J905194	
7	Tappet/Cam Follow er	J907240	S.30087
8	Inner and Outer Valve Spring	J906412	S.30071
9	Inlet Valve Guide Exhaust Valve Guide	J901187	S.30085
10	Inlet Valve Exhaust Valve	J915506	S.59546
11	Camshaft	J917882	S.30086
12	Camshaft Bush	J901685	



13	Oil Pump	J924644	S.30089
14	Fuel Pump		
15	Water Pump	A77704	S.57792



Valve Train Kits			
Models	Engine		Sparex
353, 383, 423, 453, 433, 533, 523, 553, 633	D155, D179		S.57917
624, 644, 654, 733, 724, 744, 824, 844, 844S, 844XL, 845, 845XL	D206, D239, D246, D268		S.57918
946, 955, 955XL, 1046, 1055, 1055XL	D310, D358		S.57919



Exhaust Manifold Gaskets			
Models	Engine	Replaces	Sparex
Farmall D219, 321, 323, 324, 326	Exhaust Gasket D111	711099R1	S.38991
D430, 432, 436, 439, 440	Exhaust Gasket D132 (D)D148	710368R1	S.38985
D321, 323, 324, 326, 430, 432, 436, 439, 440	Exhaust Gasket D111 D132 D(D)148	711519R1	S.38995
Farmall D219, 321, 323, 324, 326	Intake Gasket D74 D111	711128R1	S.38987
D430, 432, 436, 439, 440	Exhaust Gasket D132 (D)D148	710370R1	S.38986
353, 383, 423, 433, 453, 523, 533, 553, 624, 633, 644, 654, 724, 733, 743, 744, 745, 824, 833, 844, 845, 856, 946, 955, 956 bis 1455	Exhaust Manifold Gasket	3132434R1	S.57700
433, 533, 633, 733, 833, 743, 844, 845	Exhaust Manifold Gasket	3136248R1	S.57702

Case IH

David Brown

Deutz

Fendt

Fiatagri

Ford

John Deere

M F

Renault

Zetor

Water Pump and Thermostat Gaskets			
Models	Description	Replaces	Sparex
353, 383, 423, 453, 523, 553, 624, 654, 724, 824, 433, 533, 633, 733, 833, 440, 540, 640, 740, 840, 940, 644, 743, 744, 745, 844, 845, 856, 946, 1046, 1246, 955, 956, 1055, 1056, 1255, 1455	Water Pump Gasket	3055177R3	S.57856
	Thermostat Gasket	3132143R2	S.57837



Starter Ring Gears		
Engine	Replaces	Sparex
D206, D239, D358	3055133R1	S.310001

Balancer Unit		
Engine	Replaces	Sparex
D 206	3055501R94	S.310002
D 239	3132874R93	S.310003

Engine Parts suitable for David Brown

Tractor Model to Engine Index

Model	Engine	Cyl.	Page
770	AD3.49	3	29
780	AD3.55	3	30
880	AD3.55	3	30
885	AD3.55	3	30
990	AD4.49	4	31
995	AD4.55	4	32
996	AD4.55	4	32
1190	AD3.55	3	30
1194	AD3.55	3	30
1200	AD4.55	4	32
1210	AD4.55	4	32
1212	AD4.55	4	32
1290	AD4.49	4	31
1290	AD4.55	4	32
1294	AD4.55	4	32
1390	AD4.55	4	32
1390T	AD4.55T	4	33
1394	AD4.55	4	32
1394	AD4.55T	4	33
1410	AD4.55T	4	33
1412	AD4.55T	4	33
1490	AD4.55T	4	33
1494	AD4.55T	4	33
1594	AD6.329T	6	35
1690	AD6.329	6	34
1694	AD6.329T	6	35
1690T	AD6.329T	6	35



Gaskets for Crankshaft

Models	Remarks	Replaces	Sparex
770, 780, 880, 990, 995, 996, 1200, 1210, 1212, 1410, 1412	1 pair	K914404	S.57563
855, 990, 995, 996, 1190, 1194, 1210, 1212, 1290, 1294, 1390, 1394, 1410, 1412, 1490, 1494	1 pair	K950938	S.57564
1594, 1690, 1694, 1690 Turbo	single	K220569	S.57565

S.57570



S.57571



Exhaust Manifold Gaskets

Models	Remarks	Replaces	Sparex
990, 995, 996, 1200, 1210, 1212, 1290, 1294, 1390, 1394, 1410, 1412, 1490, 1494	Manifold Gasket Set	K907343 K907344	S.57844
770, 780, 880, 885, 1190, 1194, 1594, 1690		K912441	S.57570
850, 880, 900, 950, 990, 995, 996, 1200, 1210, 1212, 1290, 1294, 1390		K957520	S.57571

Case IH

David Brown

Deutz

Fendt

Fiatagri

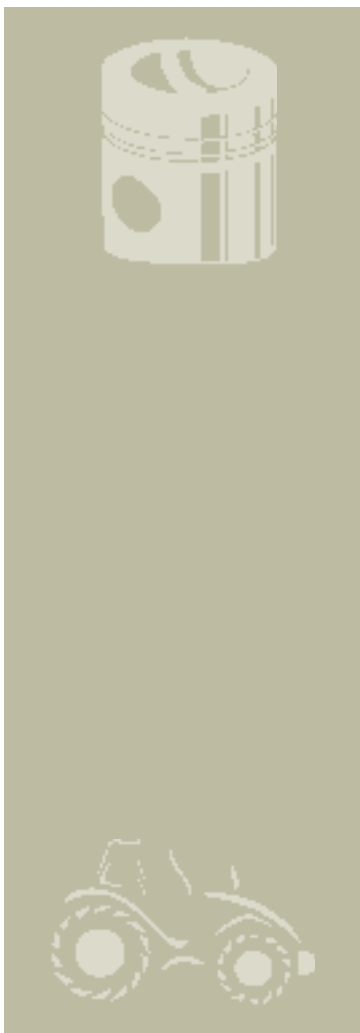
Ford

John Deere

M F

Renault

Zetor



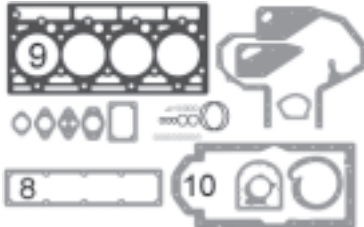
David Brown

Engine	Liner mm			Piston mm			Additional Information
	Cyl.	Bore	Height	Pin	Height	Rings	
AD3.49	3	99,47	212,72	31,75	111,93	4	Semi Finished Liner

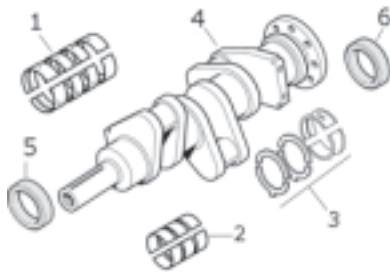
Models: 770



Description	Remarks	Replaces	Sparex
1 Piston and Liner Set (per Cyl.)		Order components	
2 Liner	Semi Finished	K964857	S.57504
3 Piston		K949721	S.57505
4 Ring Set		K261069	S.57508



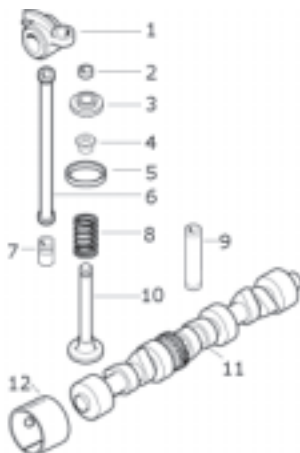
6 Top Gasket Set		K262754	S.57549
7 Bottom Gasket Set		K262764	S.57559
8 Rocker Cover Gasket		K907338	S.57556
9 Head Gasket		K956672	S.57553
10 Sump Gasket		K262733	S.57566



1 Main Bearings (1 set)	Standard 0,010"	K928540 K928557	S.57526 S.57529
2 Conrod Bearings (1 set)	Standard 0,010"	K207436 K207497	S.57517 S.57518
3 Thrust Washers (1 set)	Standard 0,005"	K928542 K928560	S.57537 S.57538
4 Crankshaft			
5 Front Oil Seal		K628127	S.57541
6 Rear Oil Seal		K262783	S.57543



1 Conrod			
1 Conrod			
2 Small End Bush		K31669	S.57548
3 Conrod Bolt			
4 Conrod Nut			



1 Rocker Arm			
1 Rocker Arm Shaft			
2 Collet		K943439	S.41413
3 Top Retainer			
3 Bottom Retainer			
4 Valve Stem Seal			
5 Inlet Valve Insert			
5 Exhaust Valve Insert			
6 Push Rod			
6 Push Rod Tube			
7 Tappet/Cam Follow er			
8 Inner Valve Spring		K921435	S.57502
8 Outer Valve Spring		K921436	S.57503
9 Inlet/Exhaust Valve Guide			
10 Inlet Valve		K928622	S.57500
10 Exhaust Valve		K928622	S.57500
11 Camshaft			
12 Camshaft Bush			



13 Oil Pump			
14 Fuel Pump		K311938	S.63033
15 Water Pump		K911964	S.57757

Sparex

Case IH

David Brown

Deutz

Fendt

Fiatagri

Ford

John Deere

M F

Renault

Zetor

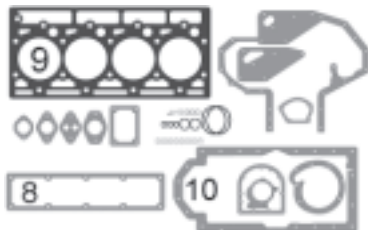
David Brown

Engine	Liner mm			Piston mm			Additional Information
	Cyl.	Bore	Height	Pin	Height	Rings	
AD3.55	3	99,47	212,72	31,72	105,68	4	Semi Finished Liner

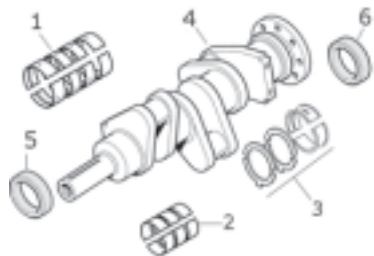
Models: 780, 880, 885, 1190, 1194



Description	Remarks	Replaces	Sparex
1 Piston and Liner Set (per Cyl.)		Order components	
2 Liner	Semi Finished	K964857	S.57504
3 Piston		K949474	S.57506
4 Ring Set		K261069	S.57508



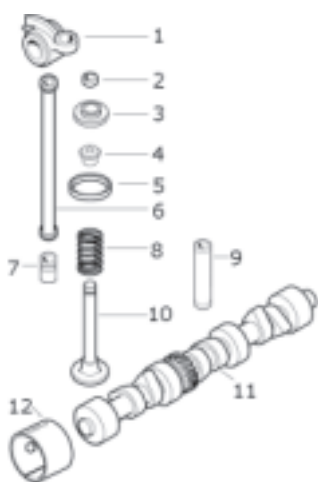
6 Top Gasket Set		K262754	S.57549
7 Bottom Gasket Set		K262764	S.57559
8 Rocker Cover Gasket		K907338	S.57556
9 Head Gasket		K956672	S.57553
10 Sump Gasket		K262733	S.57566



1 Main Bearings (1 set)	Standard	K928540	S.57526
	0,010"	K928557	S.57529
2 Conrod Bearings (1 set)	Standard	K207436	S.57517
	0,010"	K207497	S.57518
3 Thrust Washers (1 set)	Standard	K928542	S.57537
	0,005"	K928560	S.57538
4 Crankshaft			
5 Front Oil Seal		K628127	S.57541
6 Rear Oil Seal		K262783	S.57543



1 Conrod			
1 Conrod			
2 Small End Bush		K31669	S.57548
3 Conrod Bolt			
4 Conrod Nut			



1 Rocker Arm			
1 Rocker Arm Shaft			
2 Collet		K943439	S.41413
3 Top Retainer			
3 Bottom Retainer			
4 Valve Stem Seal			
5 Inlet Valve Insert			
5 Exhaust Valve Insert			
6 Push Rod			
6 Push Rod Tube			
7 Tappet/Cam Follower			
8 Inner Valve Spring		K921435	S.57502
8 Outer Valve Spring		K921436	S.57503
9 Inlet/Exhaust Valve Guide			
10 Inlet Valve		K928622	S.57500
10 Exhaust Valve		K928622	S.57500
11 Camshaft			
12 Camshaft Bush			



13 Oil Pump			
14 Fuel Pump		K311938	S.63033
15 Water Pump		K911964	S.57757

David Brown

Engine	Liner mm			Piston mm			Additional Information
	Cyl.	Bore	Height	Pin	Height	Rings	
AD4.49	4	99,47	212,72	31,75	111,93	4	Semi Finished Liner

Models: 990, 1290 >11052360

Sparex

Case IH

David Brown

Deutz

Fendt

Fiatagri

Ford

John Deere

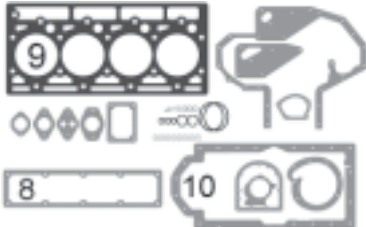
M F

Renault

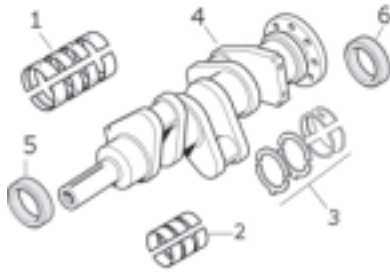
Zetor



Description	Remarks	Replaces	Sparex
1 Piston and Liner Set (per Cyl.)		Order components	
2 Liner	Semi Finished	K964857	S.57504
3 Piston		K949721	S.57505
4 Ring Set		K261069	S.57508



6 Top Gasket Set		K262752	S.57551
7 Bottom Gasket Set		K262765	S.57561
8 Rocker Cover Gasket		K905229	S.57557
9 Head Gasket		K262750	S.57554
10 Sump Gasket		K918684	S.57567



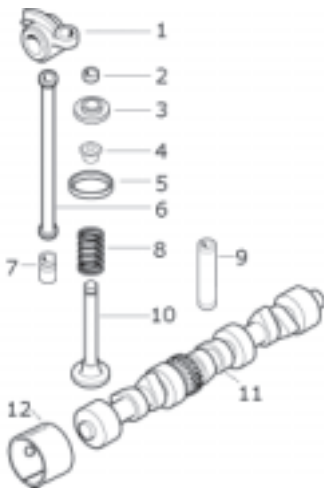
1 Main Bearings (1 set)	Standard	K928541	S.57527
	0,010"	K928554	S.57530
2 Conrod Bearings (1 set)	Standard	K207436	S.57520
	0,010"	K207497	S.57521
3 Thrust Washers (1 set)	Standard	K928542	S.57537
	0,005"	K928560	S.57538
4 Crankshaft			
5 Front Oil Seal		K628127	S.57541
6 Rear Oil Seal		K262783	S.57543



1 Conrod			
1 Conrod			
2 Small End Bush		K31669	S.57548
3 Conrod Bolt			
4 Conrod Nut			

Fiatagri

Ford



1 Rocker Arm			
1 Rocker Arm Shaft			
2 Collet		K943439	S.41413
3 Top Retainer			
3 Bottom Retainer			
4 Valve Stem Seal			
5 Inlet Valve Insert			
5 Exhaust Valve Insert			
6 Push Rod			
6 Push Rod Tube			
7 Tappet/Cam Follow er			
8 Inner Valve Spring		K921435	S.57502
8 Outer Valve Spring		K921436	S.57503
9 Inlet/Exhaust Valve Guide			
10 Inlet Valve		K928622	S.57500
10 Exhaust Valve		K928622	S.57500
11 Camshaft			
12 Camshaft Bush			

John Deere

M F

Renault



13 Oil Pump			
14 Fuel Pump		K944997	S.63034
15 Water Pump			

Zetor

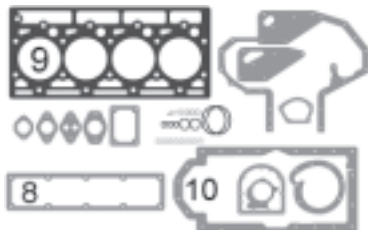
David Brown

Engine	Liner mm			Piston mm			Additional Information
	Cyl.	Bore	Height	Pin	Height	Rings	
AD4.55	4	99,47	212,72	31,72	105,68	4	Semi Finished Liner

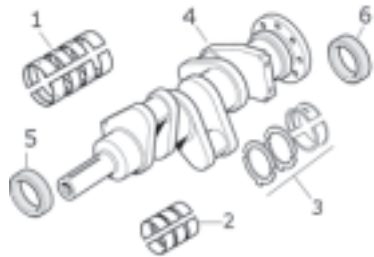
Models: 995, 996, 1290 <11052360, 1390, 1200, 1210, 1212, 1294, 1394



Description	Remarks	Replaces	Sparex
1 Piston and Liner Set (per Cyl.)		Order components	
2 Liner	Semi Finished	K964857	S.57504
3 Piston		K949474	S.57506
4 Ring Set		K261069	S.57508



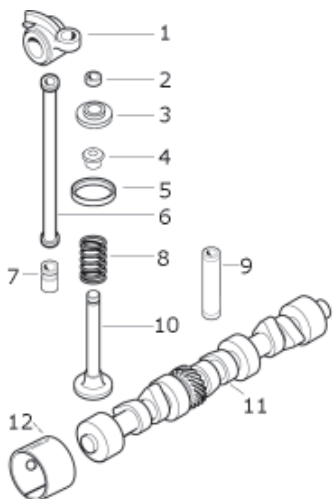
6 Top Gasket Set		K262752	S.57551
7 Bottom Gasket Set		K262765	S.57561
8 Rocker Cover Gasket		K905229	S.57557
9 Head Gasket		K262750	S.57554
10 Sump Gasket		K918684	S.57567



1 Main Bearings (1 set)	Standard	K928541	S.57527
	0,010"	K928554	S.57530
2 Conrod Bearings (1 set)	Standard	K207436	S.57520
	0,010"	K207497	S.57521
3 Thrust Washers (1 set)	Standard	K928542	S.57537
	0,005"	K928560	S.57538
4 Crankshaft		K210100	S.57959
5 Front Oil Seal		K628127	S.57541
6 Rear Oil Seal		K262783	S.57543



1 Conrod			
1 Conrod			
2 Small End Bush		K31669	S.57548
3 Conrod Bolt			
4 Conrod Nut			



1 Rocker Arm			
Rocker Arm Shaft			
2 Collet		K943439	S.41413
3 Top Retainer			
Bottom Retainer			
4 Valve Stem Seal			
5 Inlet Valve Insert			
Exhaust Valve Insert			
6 Push Rod			
6 Push Rod Tube			
7 Tappet/Cam Follower			
8 Inner Valve Spring		K921435	S.57502
Outer Valve Spring		K921436	S.57503
9 Inlet/Exhaust Valve Guide			
10 Inlet Valve		K928622	S.57500
Exhaust Valve		K928622	S.57500
11 Camshaft			
12 Camshaft Bush			



13 Oil Pump			
14 Fuel Pump		K944997	S.63034
15 Water Pump			

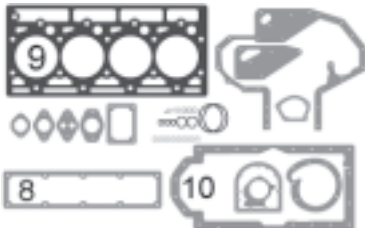
David Brown

Engine	Liner mm			Piston mm			Additional Information
	Cyl.	Bore	Height	Pin	Height	Rings	
AD4.55T	4	99,47	212,72	31,75	105,68	4	Semi Finished Liner

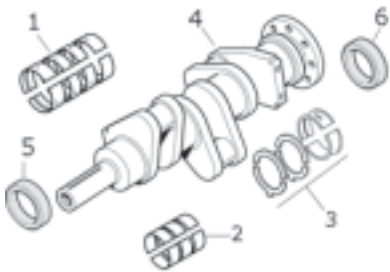
Models: 1390T, 1490, 1410, 1412, 1494



Description	Remarks	Replaces	Sparex
1 Piston and Liner Set (per Cyl.)		Order components	
2 Liner	Semi Finished	K964857	S.57504
3 Piston		K944573	S.57507
4 Ring Set		K261069	S.57508



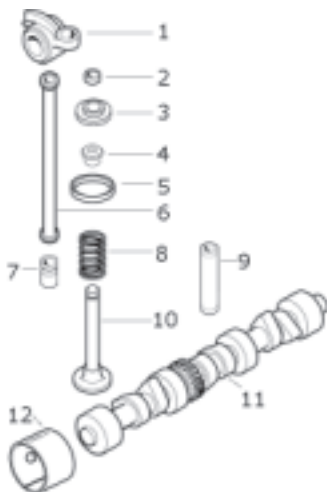
6 Top Gasket Set		K262752	S.57551
7 Bottom Gasket Set		K262765	S.57561
8 Rocker Cover Gasket		K905229	S.57557
9 Head Gasket		K262750	S.57554
10 Sump Gasket		K918684	S.57567
11 Timing Cover Gasket			
12 Timing Cover Gasket			



1 Main Bearings (1 set)	Standard		S.75991
	0,010"		S.75992
2 Conrod Bearings (1 set)	Standard	K929148	S.57799
	0,010"		S.75989
3 Thrust Washers (1 set)	Standard	K928542	S.57537
	0,005"	K928560	S.57538
4 Crankshaft			
5 Front Oil Seal		K628127	S.57541
6 Rear Oil Seal		K262784	S.57542



1 Conrod			
1 Conrod			
2 Small End Bush		K31669	S.57548
3 Conrod Bolt			
4 Conrod Nut			



1 Rocker Arm			
1 Rocker Arm Shaft			
2 Collet		K943439	S.41413
3 Top Retainer			
3 Bottom Retainer			
4 Valve Stem Seal			
5 Inlet Valve Insert			
5 Exhaust Valve Insert			
6 Push Rod			
6 Push Rod Tube			
7 Tappet/Cam Follow er			
8 Inner Valve Spring		K921435	S.57502
8 Outer Valve Spring		K921436	S.57503
9 Inlet/Exhaust Valve Guide			
10 Inlet Valve		K928622	S.57500
10 Exhaust Valve		K950100	S.57501
11 Camshaft			
12 Camshaft Bush			



13 Oil Pump			
14 Fuel Pump		K944997	S.63034
15 Water Pump			

Sparex

Case IH

David Brown

Deutz

Fendt

Fiatagri

Ford

John Deere

M F

Renault

Zetor

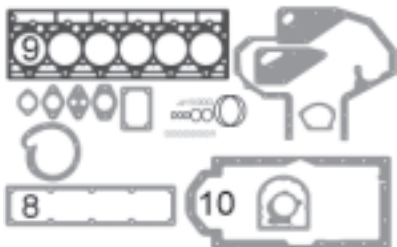
David Brown

Engine	Liner mm			Piston mm			Additional Information
	Cyl.	Bore	Height	Pin	Height	Rings	
AD6.329	6	99,47	212,72	31,75	105,58	4	Semi Finished Liner

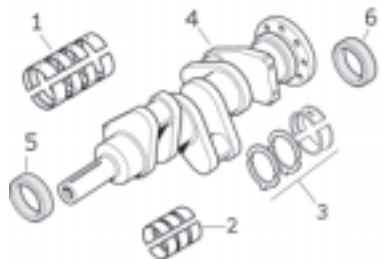
Models: 1690



Description	Remarks	Replaces	Sparex
1 Piston and Liner Set (per Cyl.)		Order components	
2 Liner	Semi Finished	K964857	S.57504
3 Piston		K206954	S.57840
4 Ring Set		K261069	S.57508



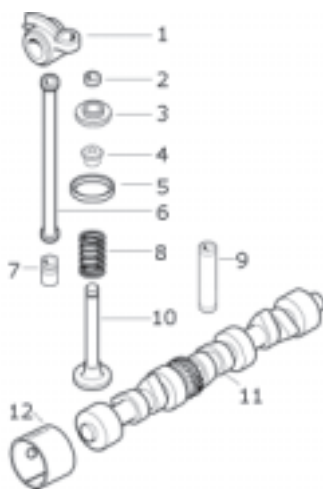
6 Top Gasket Set		K262766	S.57552
7 Bottom Gasket Set		K262747	S.57562
8 Rocker Cover Gasket		K918689	S.57558
9 Head Gasket		K952527	S.57555
10 Sump Gasket		K918684	S.57567



1 Main Bearings (1 set)	Standard		
	0,010"		
2 Conrod Bearings (1 set)	Standard	K207436	S.57523
	0,010"	K207497	S.57524
3 Thrust Washers (1 set)	Standard	K928542	S.57537
	0,005"	K928560	S.57538
4 Crankshaft			
5 Front Oil Seal		K628127	S.57541
6 Rear Oil Seal		K262708	S.57544



1 Conrod			
1 Conrod			
2 Small End Bush		K31669	S.57548
3 Conrod Bolt			
4 Conrod Nut			



1 Rocker Arm			
Rocker Arm Shaft			
2 Collet		K943439	S.41413
3 Top Retainer			
Bottom Retainer			
4 Valve Stem Seal			
5 Inlet Valve Insert			
Exhaust Valve Insert			
6 Push Rod			
6 Push Rod Tube			
7 Tappet/Cam Follower			
8 Inner Valve Spring		K921435	S.57502
Outer Valve Spring		K921436	S.57503
9 Inlet/Exhaust Valve Guide			
10 Inlet Valve		K928622	S.57500
Exhaust Valve		K928622	S.57500
11 Camshaft			
12 Camshaft Bush			



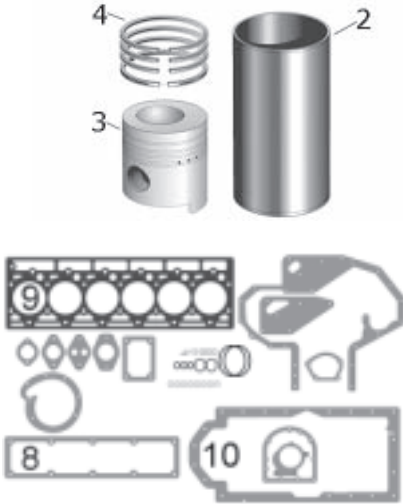
13 Oil Pump			
14 Fuel Pump		K944997	S.63034
15 Water Pump		K200759	S.57759

David Brown

Engine	Liner mm			Piston mm			Additional Information
	Cyl.	Bore	Height	Pin	Height	Rings	
AD6.329T	6	99,47	212,72	31,75	105,58	4	Semi Finished Liner

Models: 1690T, 1594, 1694

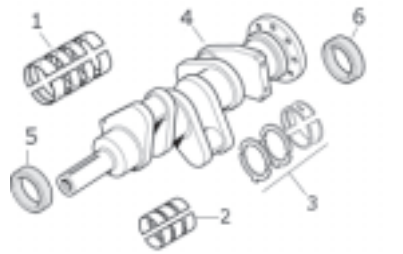
Sparex



Description	Remarks	Replaces	Sparex
1 Piston and Liner Set (per Cyl.)	Models	Order components	
2 Liner	1594 / 1694	K964857	S.57504
3 Piston	Semi Finished Liner	K206954	S.57840
4 Ring Set		K261069	S.57508
5 Liner Seal			
1 Piston and Liner Set (per Cyl.)	Models	Order components	
2 Liner	1690 / 1690T	K964857	S.57504
3 Piston	Semi Finished Liner	K944573	S.57507
4 Ring Set		K261069	S.57508
5 Liner Seal			
6 Top Gasket Set		K262766	S.57552
7 Bottom Gasket Set		K262747	S.57562
8 Rocker Cover Gasket		K918689	S.57558
9 Head Gasket		K952527	S.57555
10 Sump Gasket		K918684	S.57567
11 Timing Cover Gasket			
12 Timing Cover Gasket			

Case IH

David Brown



1 Main Bearings (1 set)	Standard		
2 Conrod Bearings (1 set)	Standard	K207436	S.57523
		K207497	S.57524
3 Thrust Washers (1 set)	Standard	K928542	S.57537
		K928560	S.57538
4 Crankshaft			
5 Front Oil Seal		K628127	S.57541
6 Rear Oil Seal		K262708	S.57544

Deutz

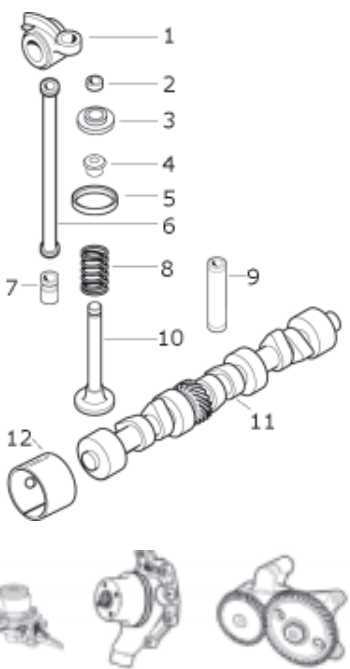
Fendt



1 Conrod			
2 Small End Bush		K31669	S.57548
3 Conrod Bolt			
4 Conrod Nut			

Fiatagri

Ford



1 Rocker Arm			
1 Rocker Arm Shaft			
2 Collet		K943439	S.41413
3 Top Retainer			
3 Bottom Retainer			
4 Valve Stem Seal			
5 Inlet Valve Insert			
5 Exhaust Valve Insert			
6 Push Rod			
6 Push Rod Tube			
7 Tappet/Cam Follow er			
8 Inner Valve Spring		K921435	S.57502
8 Outer Valve Spring		K921436	S.57503
9 Inlet/Exhaust Valve Guide			
10 Inlet Valve		K928622	S.57500
10 Exhaust Valve		K950100	S.57501
11 Camshaft			
12 Camshaft Bush			
13 Oil Pump			
14 Fuel Pump			
15 Water Pump			

John Deere

M F

Renault

Zetor

Tractor Model to Engine Index



	Model	Engine	Cyl.	Page
	D13	FL712	2	39
	D14	FL712	2	39
	D15	FL812	2	40
	D25	FL712	2	39
	D30	FL712	2	39
	D40	FL712	2	39
	D50	FL712	2	39
	D2505	FL812	2	40
	D2506	FL912	2	42
	D2807	FL912	2	42
	D3005	FL812	2	40
	D3006	FL912	2	42
	D3607	FL912	2	42
	D4005	FL812	3	40
	D4005	FL812D	3	40
	D4006	FL912	3	42
	D4007	FL912	3	42
	D4505	FL812D	3	40
	D4506	FL912	3	42
	D4507	FL912	3	42
	D4807	FL912	3	42
	D5005	FL812	4	40
	D5005	FL812D	4	40
	D5006	FL912	3	42
	D5206	FL912	3	42
	D5207	FL912	3	42
	D5505	FL812	4	40
	D5506	FL812	4	40
	D6005	FL812D	4	40
	D6006	FL912	4	42
	D6007	FL913	3	44
	D6206	FL912	4	42
	D6207	FL912	4	42
	D6507	FL912	4	42
	D6806	FL912	4	42
	D6807	FL912	4	42
	D6907	FL912	4	42
	D7006	FL912	4	42
	D7007	FL912	4	42
	D7206	FL912	4	42
	D7207	FL912	4	42
	D7505	FL812	6	40
	D7807	FL913	4	44
	D8005	FL812D	6	40
	D8006	FL912	6	42
	D8006	BFL912	6	42
	D9005	FL812	6	40
	D9006	FL912	6	42
	D10006	FL912	6	42
	D10006	BFL912	6	42
	D13006	BFL912	6	42
	D16006	FL413	8	46
	DX36	FL912	2	42
	DX50	FL912	3	42
	DX55	FL912	3	42
	DX80	FL913	4	44

Model	Engine	Cyl.	Page
DX85	FL912	5	42
DX86	BFL913	4	48
DX90	FL912	5	42
DX92	BFL913	4	48
DX110	FL912	6	42
DX120	FL913	6	44
DX140	BFL913	6	48
DX145	BFL913	6	48
DX160	BFL913	6	48
DX230	BFL413	6	46
DX250	BFL413	6	46
DX2.10.SC	FL912	3	42
DX3.10	FL912	3	42
DX3.10V	FL912	3	42
DX3.30	FL912	3	42
DX3.30.SC	FL912	3	42
DX3.50	FL913	3	44
DX3.60	FL912	4	42
DX3.60.SC	FL912	4	42
DX3.65	FL912	4	42
DX3.65.SC	FL912	4	42
DX3.70	FL912	4	42
DX3.70.SC	FL912	4	42
DX3.80	FL913	4	44
DX3.90	FL913	4	44
DX4.10	FL912	4	42
DX4.30	FL913	4	44
DX4.31	FL913	4	44
DX4.50	BFL913T	4	48
DX4.51	BFL913	4	48
DX4.61	BFL913	4	48
DX4.70	BFL913T	4	48
DX4.71	BFL913	4	48
DX6.05	FL912	6	42
DX6.06	FL912	6	42
DX6.10	FL912	6	42
DX6.10	FL912	6	42
DX6.30	FL913	6	44
DX6.50	BFL913	6	48
DX7.10	BFL913	6	48
DX8.30	BFL413F	6	46

Model	Engine	Cyl.	Page
Agroprima 4.31	FL913	4	44
Agroprima 4.36	FL913	4	44
Agroprima 4.46	BFL913	4	48
Agroprima 4.51	BFL913	4	48
Agroprima 4.56	BFL913	4	48
Agroprima 6.06	FL912	6	42
Agroprima 6.16	FL913	6	44
Agrostar 4.61	BFL913	4	48
Agrostar 4.68	BFL913	4	48
Agrostar 4.71	BFL913	4	48
Agrostar 4.78	BFL913	4	48
Agrostar 6.08	FL913	6	44
Agrostar 6.11	FL912	6	42
Agrostar 6.21	BFL913	6	48
Agrostar 6.28	FL913	6	44
Agrostar 6.28	BFL913	6	48
Agrostar 6.31	BFL913T	6	48
Agrostar 6.38	BFL913T	6	48
Agrostar 6.61	BFL913T	6	48
Agrostar 6.71	MVMTD226B	6	69
Agrostar 6.81	MVMTD226B	6	69
Agrotron 4.70	BF4M1012E	4	50
Agrotron 4.80	BF4M1012E	4	50
Agrotron 4.85	BF4M1012EC	4	50
Agrotron 4.90	BF4M1012EC	4	50
Agrotron 4.95	BF4M1012EC	4	50
Agrotron 6.00	BF6M1012E	6	50
Agrotron 6.01	BF6M1012E	6	50
Agrotron 6.05	BF6M1012E	6	50
Agrotron 6.15	BF6M1012E	6	50
Agrotron 6.20	BF6M1013E	6	50
Agrotron 6.30	BF6M1013E	6	50
Agrotron 6.45	BF6M1013E	6	50
Agroxtra 4.17	FL913	4	44
Agroxtra 4.47	BFL913	4	48
Agroxtra 4.57	BFL913T	4	48
Agroxtra 6.07	FL912	6	42
Agroxtra 6.17	FL913	6	44
INTRAC2002	FL912	3	42
INTRAC2003	FL912	4	42
INTRAC2004	FL912	4	42

Case IH

David Brown

Deutz

Fendt

Fiatagri

Ford

John Deere

M F

Renault

Zetor

Deutz KHD

Engine

Liner mm

Piston mm

Cyl.

Bore

Height

Pin

Height

Rings

Additional information

511D

1

100

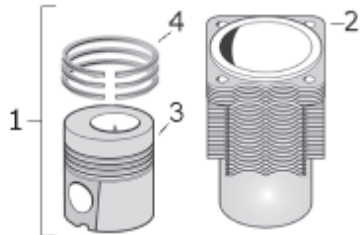
185,9

35

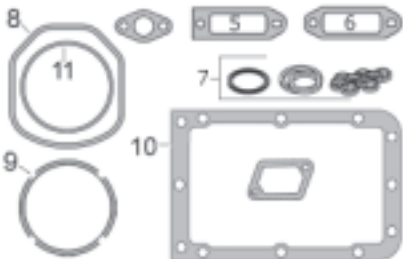
95,95

3

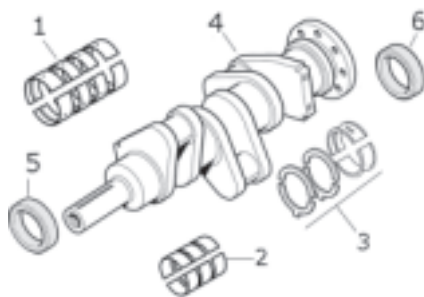
Models: D-Series



Description	Remarks	Replaces	Sparex
1 Piston and Liner Set (per Cyl.)	100mm Piston		S.37776
2 Liner	35mm		
3 Piston and Rings	Gudgeon Pin		
4 Ring Set	3 Rings		



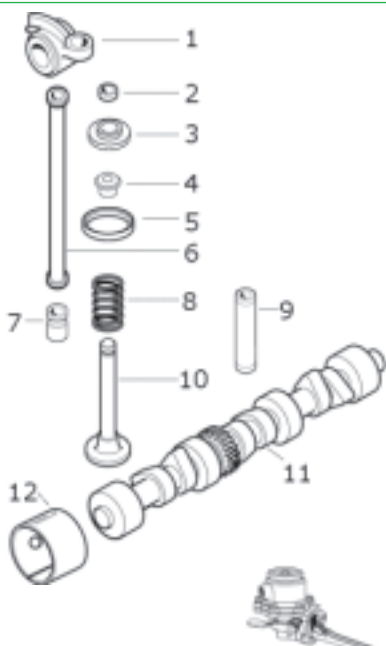
- Gasket Set (5 6 7 8 11)	per Cyl.		S.38841
- Complete Gasket Set	per Engine		S.38840
8 Rocker Cover Gasket			
9 Head Gasket	1,10 mm	04157654	S.69941
10 Sump Gasket			
11 Shim Washer	0,2 mm	02137256	S.69971
	0,5 mm	02232963	S.69972



1 Main Bearings (1 pair)	Standard		
	0,010"		
2 Conrod Bearings (1 pair)	Standard		
	0,010"		
3 Thrust Washers (1 pair)	Standard		
	0,010"		
4 Crankshaft		04152745	S.37880
5 Front Oil Seal			
6 Rear Oil Seal			



1 Conrod		04151493	S.37879
2 Small End Bush			
3 Conrod Bolt			
4 Conrod Nut			



	Rocker Arm		
1	Screw	03365861	
	Nut	02109637	
	Rocker Arm Shaft		
2	Collet		
3	Top Retainer		
	Bottom Retainer		
4	Seal Valve Stem		
5	Inlet Valve Insert		
	Exhaust Valve Insert		
6	Push Rod		
6	Push Rod Tube		
7	Tappet/Cam Follow er		
8	Inlet Valve Spring		
	Exhaust Valve Spring		
9	Inlet/Exhaust Valve Guide		
10	Inlet Valve		
	Exhaust Valve		
11	Camshaft		
12	Camshaft Bush		
	Fuel Pump	3 Holes	04231021 S.36017
	Fuel Pump	2 Holes	01260140 S.36016

Sparex

Case IH

David Brown

Deutz

Fendt

Fiatagri

Ford

John Deere

M F

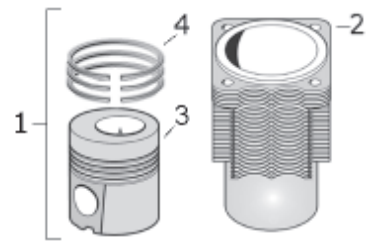
Renault

Zetor

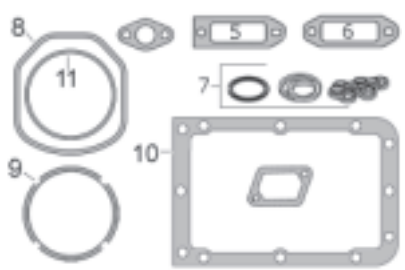
**Deutz
KHD**

Engine	Liner mm			Piston mm			Additional information
	Cyl.	Bore	Height	Pin	Height	Rings	
514	1	110	274,55	40	154	5	

Models:



Description	Remarks	Replaces	Sparex
1 Piston and Liner Set (per Cyl.)	110mm Piston		S.37774
2 Liner	40mm Gudgeon		
3 Piston and Rings	Pin		
4 Ring Set	5 Rings		S.37719

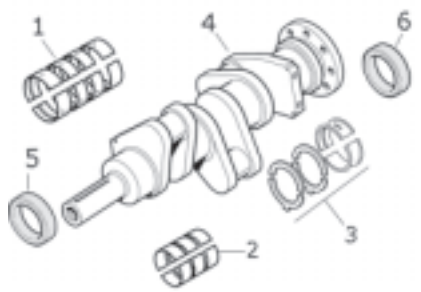


- Gasket Set (5 6 7 8 11)	per Cyl.	03305749	S.38839
- Complete Gasket Set	per Engine		
8 Rocker Cover Gasket			
9			
10 Sump Gasket			
11 Shim Washer	0,2 mm		
	0,5 mm		
12 Timing Cover Gasket			

Case IH

David Brown

Deutz



1 Main Bearings (1 pair)	Standard		
	0,010"		
2 Conrod Bearings (1 pair)	Standard		
	0,010"		
3 Thrust Washers (1 pair)	Standard		
	0,010"		
4 Crankshaft			
5 Front Oil Seal			
6 Rear Oil Seal			

Fendt

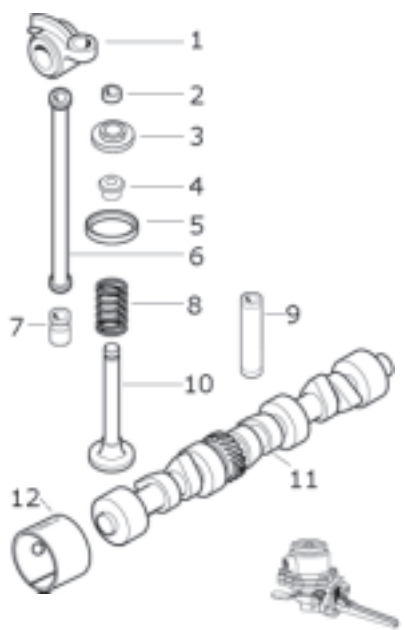
Fiatagri



1 Conrod		04151493	S.37879
2 Small End Bush			
3 Conrod Bolt			
4 Conrod Nut			

Ford

John Deere



1 Rocker Arm			
Rocker Arm Shaft			
2 Collet			
3 Top Retainer			
Bottom Retainer			
4 Seal Valve Stem			
5 Inlet Valve Insert			
Exhaust Valve Insert			
6 Push Rod			
6 Push Rod Tube			
7 Tappet/Cam Follow er			
8 Inlet Valve Spring			
Exhaust Valve Spring			
9 Inlet/Exhaust Valve Guide			
10 Inlet Valve			
Exhaust Valve			
11 Camshaft			
12 Camshaft Bush			
13 Fuel Pump	3 Holes	04231021	S.36017
Fuel Pump	2 Holes	01260140	S.36016

M F

Renault

Zetor

Deutz KHD

Engine

Liner mm

Piston mm

Cyl. Bore Height Pin Height Rings Additional information

FL712

2 to 3

95

217,6

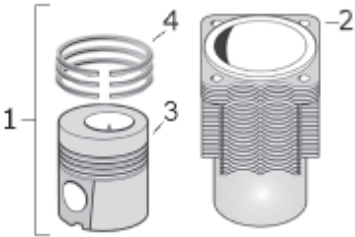
35

125,7

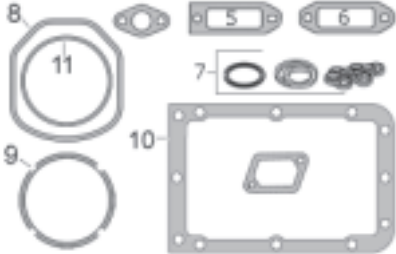
5

Models:

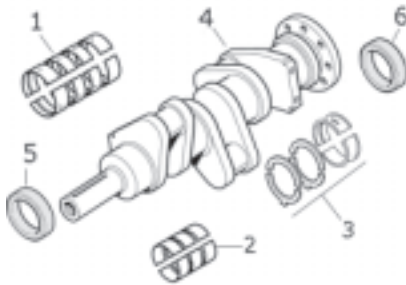
D13, D14, D15, D25, D30, D40, D50



Description	Remarks	Replaces	Sparex
1 Piston and Liner Set (per Cyl.)	95mm Piston		S.37770
2 Liner	35mm Gudgeon		S.37809
3 Piston and Rings	Pin		S.37790
4 Ring Set	5 Rings		S.37807



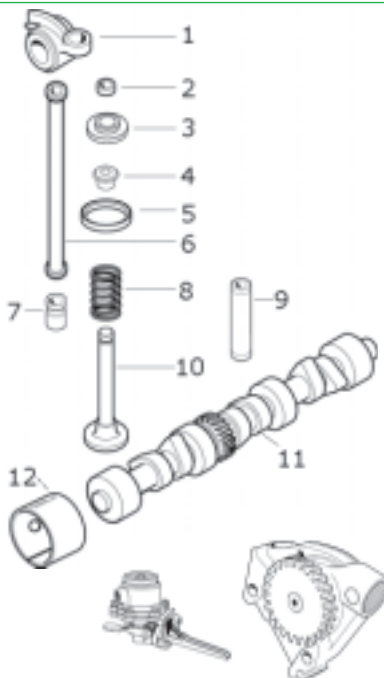
- Head Gasket Set (5 6 7 8 11)	per Cyl.	02910165	S.38959
- Complete Gasket Set	per Engine		
8 Rocker Cover Gasket		04232125	S.31119
9			
10 Sump Gasket		03362573	S.38962
11 Shim Washer	0,2 mm	03371445	S.37959
	0,5 mm	03371446	S.37960
12 Timing Cover Gasket			



1 Main Bearings (1 pair)	Standard		
	0,010"		
2 Conrod Bearings (1 pair)	Standard		
	0,010"		
3 Thrust Washers (1 pair)	Standard		
	0,010"		
4 Crankshaft			
5 Front Oil Seal			
6 Rear Oil Seal			



1 Conrod			
2 Small End Bush			
3 Conrod Bolt			
4 Conrod Nut			



1	Rocker Arm		
	Rocker Arm Shaft		
2	Collet		
3	Top Retainer		
	Bottom Retainer		
4	Seal Valve Stem		
5	Inlet Valve Insert		
	Exhaust Valve Insert		
6	Push Rod		
	Push Rod Tube		
7	Tappet/Cam Follow er		
8	Inlet Valve Spring		
	Exhaust Valve Spring		
9	Inlet/Exhaust Valve Guide		
10	Inlet Valve		
	Exhaust Valve		
11	Camshaft		
12	Camshaft Bush		
13	Oil Pump		
14	Fuel Pump	2 Holes	01260140 S.36016

Sparex

Case IH

David Brown

Deutz

Fendt

Fiatagri

Ford

John Deere

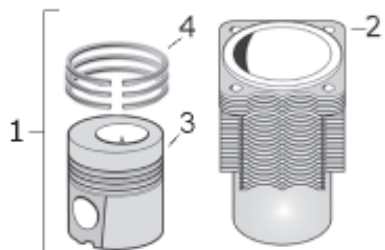
M F

Renault

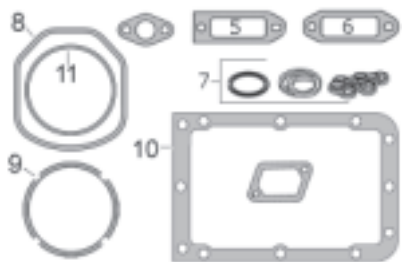
Zetor

Deutz KHD

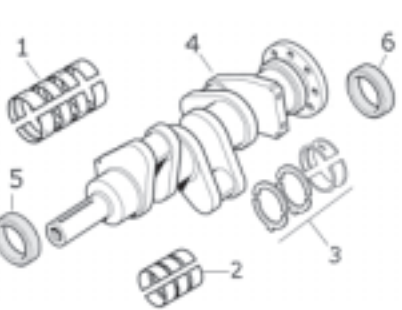
Engine	Liner mm			Piston mm			Additional information
	Cyl.	Bore	Height	Pin	Height	Rings	
FL812	1 to 6	95	217,6	35	125,7	4	
Models:	D15, D2505, D3005, D4005, D7505, D9005						



Description	Remarks	Replaces	Sparex
1 Piston and Liner Set (per Cyl.)	95mm Piston		S.37771
2 Liner	35mm		S.37812
3 Piston and Rings	Gudgeon Pin		S.37791
4 Ring Set	4 Rings		S.37808



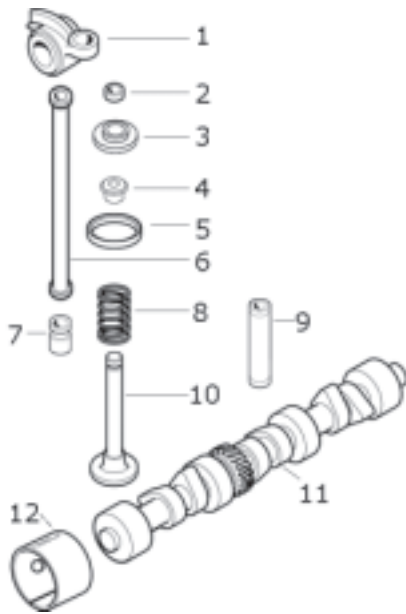
- Head Gasket Set (5 6 7 8 11)	per Cyl.	02910165	S.38959
- Complete Gasket Set	per Engine		
8 Rocker Cover Gasket		04232125	S.31119
9			
10 Sump Gasket	2 Cylinder	03362573	S.38962
	3 Cylinder		
	4 Cylinder		
	6 Cylinder		
11 Shim Washer	0,2 mm	03371445	S.37959
	0,5 mm	03371446	S.37960
12 Timing Cover Gasket			



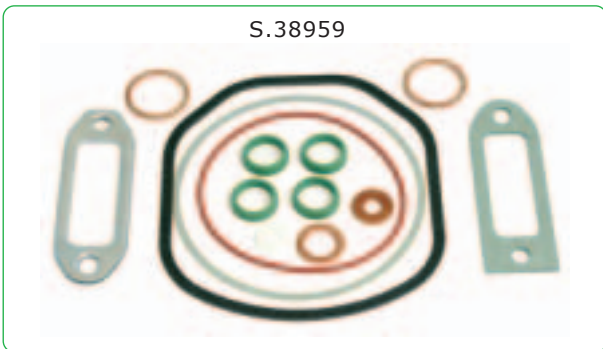
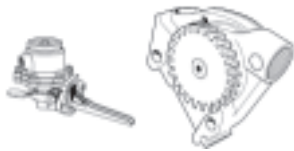
1 Main Bearings (1 pair)	Standard		
	0,010"		
2 Conrod Bearings (1 pair)	Standard		
	0,010"		
3 Thrust Washers (1 pair)	Standard		
	0,010"		
4 Crankshaft	2 Cylinder		
	3 Cylinder		
	4 Cylinder		
	6 Cylinder		
5 Front Oil Seal			
6 Rear Oil Seal			



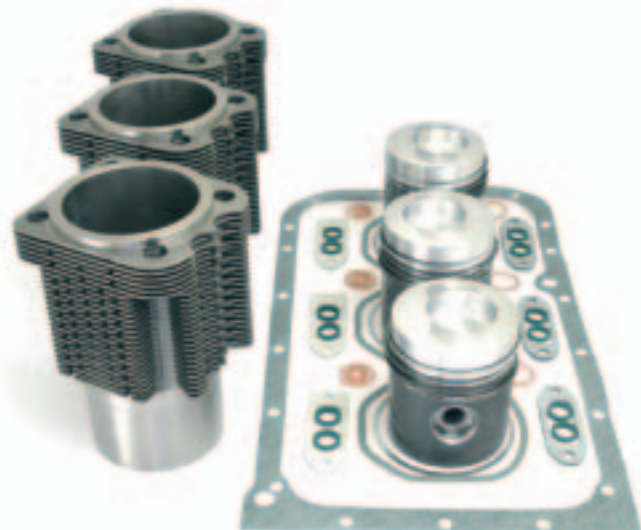
1 Conrod			
2 Small End Bush			
3 Conrod Bolt			
4 Conrod Nut			



Description	Remarks	Replaces	Sparex
1 Rocker Arm			
Rocker Arm Shaft			
2 Collet		01168817	S.37833
3 Top Retainer			
Bottom Retainer			
4 Seal Valve Stem			
5 Inlet Valve Insert			
Exhaust Valve Insert			
6 Push Rod			
Push Rod Tube			
7 Tappet/Cam Follow er			
8 Inlet Valve Spring			
Exhaust Valve Spring			
9 Inlet/Exhaust Valve Guide			
Valve Inlet 40 mm	2 to 5 Cylinder	02133730	S.37983
Exhaust Valve 35 mm		03371746	S.37984
Valve Inlet 43 mm	6 Cylinder	04153628	S.37985
Exhaust Valve 37 mm		04153696	S.37986
11 Camshaft	2 Cylinder		
	3 Cylinder		
	4 Cylinder		
	6 Cylinder		
12 Camshaft Bush			
13 Oil Pump			
14 Fuel Pump	2- Holes	01260140	S.36016
Fuel Pump	3- Holes	04231021	S.36017



Gasket Set per Cylinder		
Engine	Replaces	Sparex
FL712 812		S.38959



Case IH

David Brown

Deutz

Fendt

Fiatagri

Ford

John Deere

M F

Renault

Zetor

Deutz KHD

Engine

Liner mm

Piston mm

Cyl.

Bore

Height

Pin

Height

Rings

Additional information

FL912

2 to 6

100

222,3

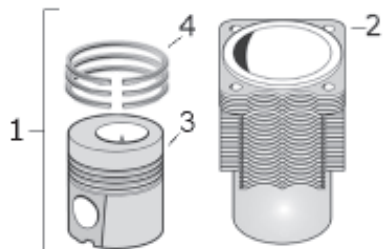
35

123,6

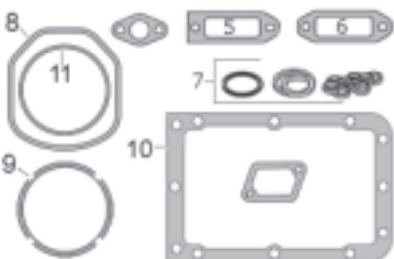
4 | 3

Models:

06 and 07 Series | DX36, 50, 55, 85, 90, 110 | Intrac2002, 2003, 2004
DX3.10, 3.30, 3.60, 3.65, 3.70, 4.10, 6.05, 6.06, 6.10 | Agro 6.06, 6.07, 6.11



Description	Remarks	Replaces
1 Piston and Liner Set (per Cyl.)	100mm Piston	02928142 S.37777
2 Liner	35mm	04157756 S.69940
3 Piston (4 Ring)	Gudgeon Pin	04151131 S.69942
4 Ring Set (4 rings)	4 Rings	02233074 S.69944
3 Piston (3 Ring)	alternative to	04154891 S.69943
4 Ring Set (3 rings)	4-Ring Piston	04156566 S.58607
- Gasket Set (5 6 7 8 11)	per Cyl.	02910048 S.31118
	2 Cylinder	02910182 S.38961
	3 Cylinder	02910182 S.69990
- Complete Gasket Set	4 Cylinder	02910183 S.312033
	5 Cylinder	
	6 Cylinder	02931405 S.69992
8 Rocker Cover Gasket	per Cylinder	04232125 S.31119
9 Head Gasket >1976	1,10 mm	04157654 S.69941
	2 Cylinder	03362573 S.38962
	3 Cylinder	03362573 S.38962
	4 Cylinder	03362574 S.69978
	5 Cylinder	02240933 S.38966
	6 Cylinder	03362581 S.38965
10 Sump Gasket		
11 Shim Washer	0,2 mm	02137256 S.69971
	0,5 mm	02232963 S.69972
12 Timing Cover Gasket		



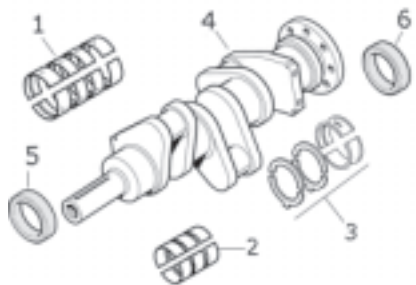
Case IH

David Brown

Deutz

Fendt

Fiatagri



1 Main Bearings (1 pair)	Standard	03362379 S.69950
	0,025"	03362380 S.69951
2 Conrod Bearings (1 pair)	Standard	02137750 S.69955
	0,025"	04231896 S.69956
3 Thrust Washers (1 set)	Standard	02230171 S.69953
	0,025"	02230182 S.312011
4 Crankshaft	2 Cylinder	
	3 Cylinder	02136928 S.312004
	4 Cylinder	02138820 S.312002
	5 Cylinder	
	6 Cylinder	
5 Front Oil Seal		04152348 S.69981
6 Rear Oil Seal		04230392 S.69980

Ford

John Deere

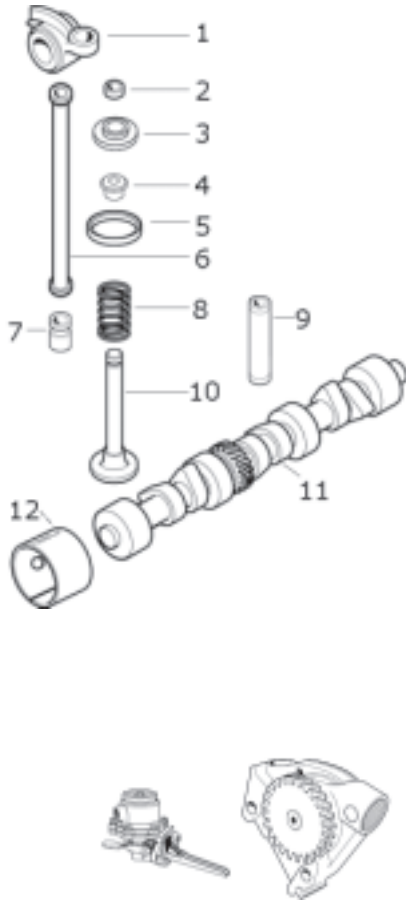
M F



1 Conrod	old type	04150450 S.37888
1 Conrod	new type	04150455 S.37884
2 Small End Bush	35mm	03371612 S.69960
3 Conrod Bolt		02235520 S.37886
4 Conrod Nut		

Renault

Zetor



Description	Remarks	Replaces
1 Rocker Arm Screw Nut		02236736 S.312019 03365861 02109637
	Rocker Arm Shaft	
	2 Collet	1 Groove 01168817 S.37833 3 Grooves 02108102 S.37912
3 Top Retainer Bottom Retainer		03371748 S.38660
4 Seal Valve Stem		02232527 S.312024
5 Inlet Valve Insert Exhaust Valve Insert		02137302 S.69964 02137306 S.69965
6 Push Rod		03371836 S.312018
6 Push Rod Tube		02231912 S.315037
7 Tappet/Cam Follow er		03371885 S.312017
8 Inlet Valve Spring Exhaust Valve Spring		03369305 S.312016 03369305 S.312016
9 Inlet/Exhaust Valve Guide		02232528 S.69963
10 Inlet Valve Exhaust Valve	1 Groove	04159136 S.69961
	1 Groove	04159139 S.69962
11 Camshaft	2 Cylinder	
	3 Cylinder	
	4 Cylinder	
	5 Cylinder	
	6 Cylinder	
12 Camshaft Bush		
13 Oil Pump	40 ltr/ min	04158299 S.69989
	60 ltr/ min	04231309 S.37953
14 Fuel Pump	2 Holes	01260140 S.36016
	3 Holes	04231021 S.36017

Case IH

David Brown

Deutz

Fendt

Fiatagri

Ford

John Deere

M F

Renault

Zetor

S.31118

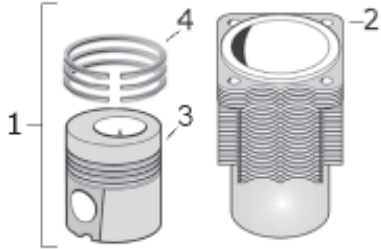


Gasket Set per Cylinder

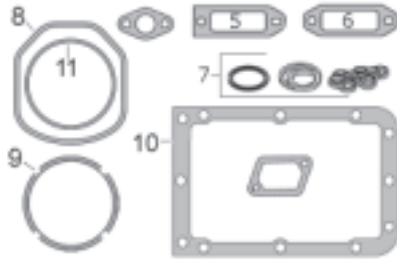
Engine	Replaces	Sparex
FL912 (B) FL913	02910048	S.31118

Deutz KHD

Engine	Liner mm			Piston mm			Additional information
	Cyl.	Bore	Height	Pin	Height	Rings	
FL913	2 to 6	102	222,3	35	123,6	3	
Models:	D6007, D7807, DX3.50, 3.80, 3.90, 4.30, 4.31, 6.30 DX80, 120 Agro 4.31, 4.36, 4.17, 6.16, 6.08, 6.28, 6.17						



Description	Remarks	Replaces	Sparex
Standard-Version			
1 Piston and Liner Set (per Cyl.)	102mm Piston		S.37783
2 Liner	35mm	04156586	S.58897
3 Piston	Gudgeon Pin	04157748	S.58899
4 Ring Set (5 rings)	3 Ring	04152185	S.58895



Version with Oil cooled and Ring Carrier Piston			
1 Piston and Liner Set (per Cyl.)	102mm Piston	02929981	S.37772
2 Liner	35mm	04231513	S.37815
3 Piston and Rings	Gudgeon Pin	04152183	S.37797
4 Ring Set (5 rings)		04152185	S.58895
- Gasket Set (5 6 7 8 11)	per Cyl.	02910048	S.31118
- Complete Gasket Set	2 Cylinder		
	3 Cylinder	02911578	S.312034
	4 Cylinder	02911577	S.69991
	6 Cylinder	02910278	S.38958
8 Rocker Cover Gasket	per Cylinder	04232125	S.31119
9 Head Gasket	1,10 mm	04157654	S.69941
10 Sump Gasket	2 Cylinder	03362573	S.38962
	3 Cylinder	03362573	S.38962
	4 Cylinder	03362574	S.69978
11 Shim Washer	6 Cylinder	03362581	S.38965
	0,2 mm	02137256	S.69971
12 Timing Cover Gasket	0,5 mm	02232963	S.69972

Case IH

David Brown

Deutz

Fendt

Fiatagri

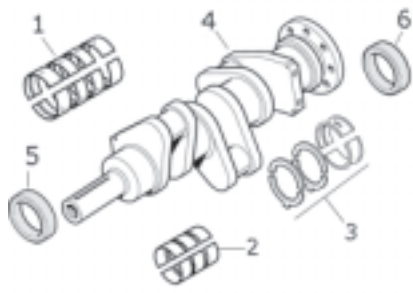
Ford

John Deere

M F

Renault

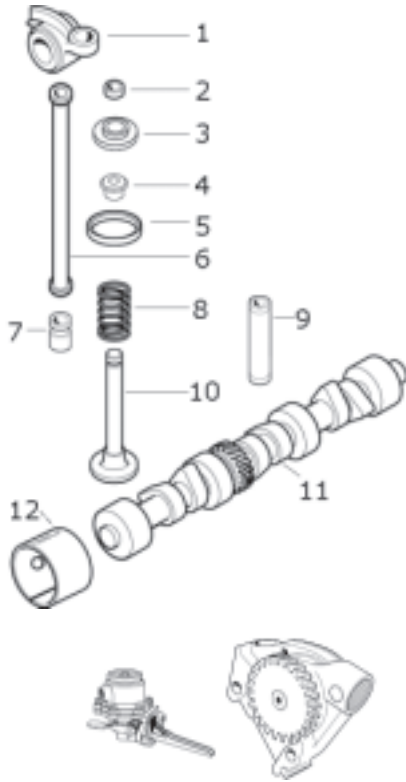
Zetor



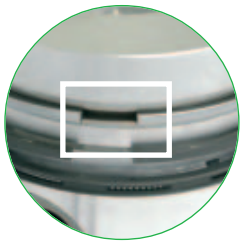
1 Main Bearings (1 pair)	Standard	03362379	S.69950
	0,025"	03362380	S.69951
2 Conrod Bearings (1 pair)	Standard	02137750	S.69955
	0,025"	04231896	S.69956
3 Thrust Washers (1 set)	Standard	02230171	S.69953
	0,025"	02230182	S.312011
4 Crankshaft	2 Cylinder		
	3 Cylinder		
	4 Cylinder		
	6 Cylinder		
5 Front Oil Seal		04152348	S.69981
6 Rear Oil Seal		04230392	S.69980



1 Conrod		04150455	S.37884
2 Small End Bush	35mm	03371612	S.69960
3 Conrod Bolt		04157075	S.37887
4 Conrod Nut			



Description	Remarks	Replaces	Sparex
1	Rocker Arm Rocker Arm Shaft	02236736	S.312019
2	Collet	1 Groove 3 Grooves	01168817 S.37833 02108102 S.37912
3	Top Retainer Bottom Retainer	03371748	S.38660
4	Seal Valve Stem	02232527	S.312024
5	Inlet Valve Insert Exhaust Valve Insert	02137302 02137306	S.69964 S.69965
6	Push Rod Push Rod Tube	03371836 02231912	S.312018 S.315037
7	Tappet/Cam Follow er	03371885	S.312017
8	Inlet Valve Spring Exhaust Valve Spring	03369305 03369305	S.312016 S.312016
9	Inlet/Exhaust Valve Guide	02232528	S.69963
10	Inlet Valve Exhaust Valve	04159136 04159139	S.69961 S.69962
11	Camshaft	2 Cylinder 3 Cylinder 4 Cylinder 6 Cylinder	
12	Camshaft Bush		
13	Oil Pump	40 ltr/ min 60 ltr/ min	04158299 S.69989 04231309 S.37953
14	Fuel Pump Fuel Pump	2 Holes 3 Holes	01260140 S.36016 04231021 S.36017



Piston and Liner-Set S.37772

Ring Carrier Piston

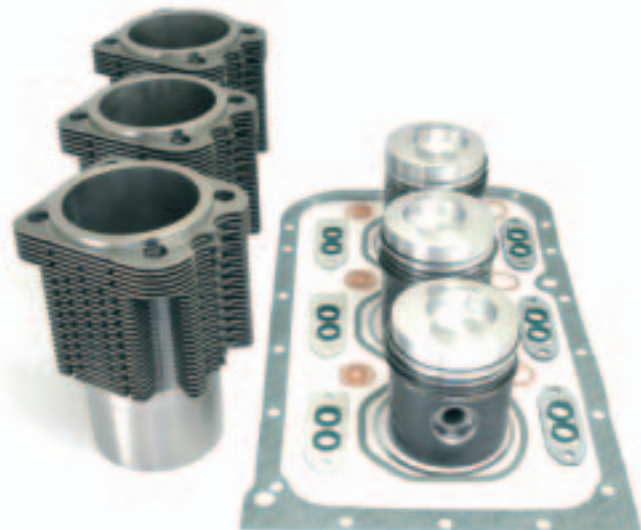
Pistons with a particularly high compression ratio have a ring carrier. This is a cast-in groove for the first piston ring made from cast iron, which reduces the expansion and temperature.



S.31118



Gasket Set per Cylinder		
Engine	Replaces	Sparex
FL912 (B) FL913	02910048	S.31118



Case IH

David Brown

Deutz

Fendt

Fiatagri

Ford

John Deere

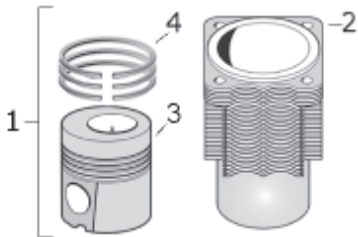
M F

Renault

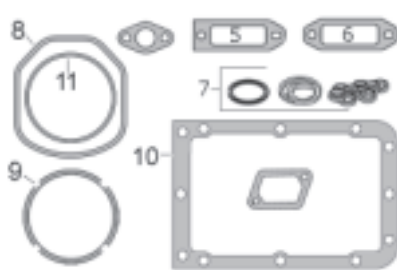
Zetor

Deutz KHD

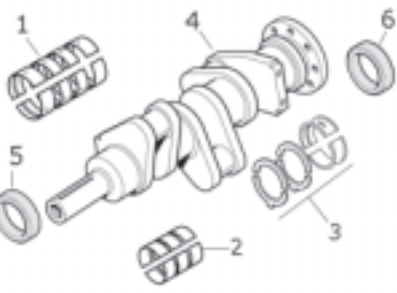
Engine	Liner mm			Piston mm			Additional information
	Cyl.	Bore	Height	Pin	Height	Rings	
BFL 413	6	125	250,7	45	138,65	3	
Models:	DX230, DX250, DX8.30						



Description	Remarks	Replaces	Sparex
Version with Oil cooled and Ring Carrier Piston			
1 Piston and Liner Set (per Cyl.)		02925880	S.37784
2 Liner	125mm Piston	04186458	S.37811
3 Piston and Rings	45mm Gudgeon Pin	04144484	S.37798
4 Ring Set		04182784	S.37806



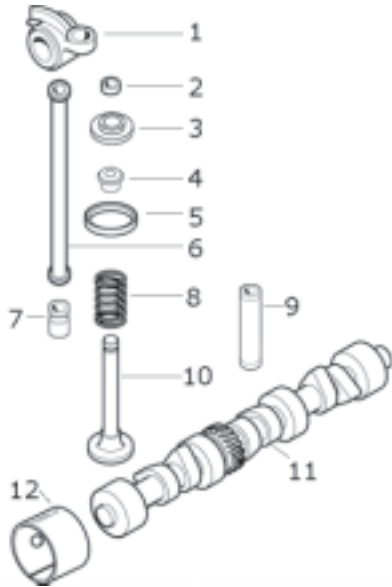
- Gasket Set (5 6 7 8 11)	per Cyl.		
- Engine Gasket set complete	6 Cylinder		
	8 Cylinder		
8 Rocker Cover Gasket			
9 Head Gasket	1,10 mm	04157654	S.69941
10 Sump Gasket	6 Cylinder		
	8 Cylinder		
11 Shim Washer	0,2 mm	02137256	S.69971
	0,5 mm	02232963	S.69972
13 Timing Cover Gasket			



1 Main Bearings (1 pair)	Standard		
	0,010"		
2 Conrod Bearings (1 pair)	Standard		
	0,010"		
3 Thrust Washers (1 pair)	Standard		
	0,010"		
4 Crankshaft	6 Cylinder		
	8 Cylinder		
5 Front Oil Seal			
6 Rear Oil Seal			



1 Conrod			
2 Small End Bush			
3 Conrod Bolt			
4 Conrod Nut			



Description	Remarks	Replaces	Sparex
1 Rocker Arm			
1 Rocker Arm Shaft			
2 Collet			
3 Top Retainer			
3 Bottom Retainer			
4 Seal Valve Stem			
5 Inlet Valve Insert			
5 Exhaust Valve Insert			
6 Push Rod			
6 Push Rod Tube			
7 Tappet/Cam Follow er			
8 Inlet Valve Spring			
8 Exhaust Valve Spring			
9 Inlet/Exhaust Valve Guide			
10 Inlet Valve			
10 Exhaust Valve			
11 Camshaft	6 Cylinder		
11 Camshaft	8 Cylinder		
12 Camshaft Bush			
13 Oil Pump			
14 Fuel Pump			



Ring Carrier Piston

Pistons with a particularly high compression ratio have a ring carrier. This is a cast-in groove for the first piston ring made from cast iron, which reduces the expansion and temperature.



Cylinder Head
see Page 52



Case IH

David Brown

Deutz

Fendt

Fiatagri

Ford

John Deere

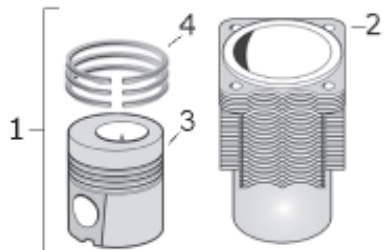
M F

Renault

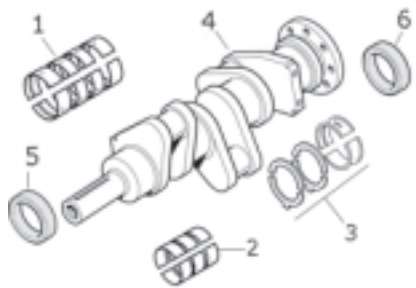
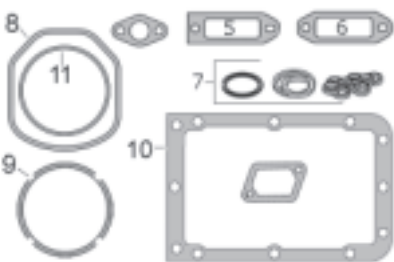
Zetor

Deutz KHD

Engine	Liner mm			Piston mm			Additional information
	Cyl.	Bore	Height	Pin	Height	Rings	
BFL 913	4 6	102	222,30 220,40	35 40	122,28 123,60	3 4	
Models:	DX86, 92, 140, 145, 160 DX4.50, 4.51, 4.61, 4.70, 4.71, 6.50, 7.10, Agro 4.46, 4.51, 4.56, 4.61, 4.68, 4.71, 4.78, 4.47, 4.57, 6.21, 6.28, 6.31, 6.38, 6.61						



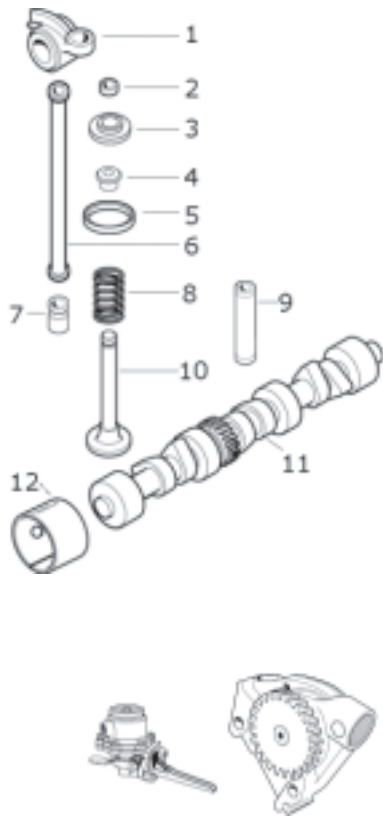
Description	Remarks	Replaces
102 mm Piston (4 Rings), 35 mm Pin Liner 120,00mm O.D., 222,30mm height		
1 Piston and Liner Set (per Cyl.)		02925625 S.37785
2 Liner	Standard	04156586 S.58897
3 Piston		S.58898
4 Ring Set		02235561 S.58894
1 Piston and Liner Set (per Cyl.)		02929981 S.37817
2 Liner	Oil cooled Ring	04231513 S.37815
3 Piston and Rings	Carrier Piston	04151131 S.37793
4 Ring Set		02235561 S.58894
102mm Piston (3 Rings), 40mm Pin Liner 120,00mm O.D., 222,30mm height		
1 Piston and Liner Set (per Cyl.)		02929989 S.37818
2 Liner	Oil cooled Ring	S.37815
3 Piston and Rings	Carrier Piston	S.37792
4 Ring Set		S.37803
102mm Piston (4 Rings), 40mm Pin Liner 120,00mm O.D., 222,30mm height		
1 Piston and Liner Set (per Cyl.)		S.37781
2 Liner	Oil cooled Ring	04156586 S.37815
3 Piston and Rings	Carrier Piston	04158391 S.37794
4 Ring Set		S.37804
102 mm Piston (4 Rings), 40mm Pin Liner 124,50mm O.D., 220,40mm height	Engine BF 913 C	
1 Piston and Liner Set (per Cyl.)		S.37819
2 Bush 124,50mm OD.	Oil cooled Ring	04159098 S.37834
3 Piston and Rings	Carrier Piston	04158391 S.37794
4 Ring Set		S.37804
- Gasket Set (5 6 7 8 11)	per Cyl.	02910048 S.31118
- Complete Gasket Set	4 Cylinder	02911577 S.69991
	6 Cylinder	02929657 S.38956
8 Rocker Cover Gasket		04232125 S.31119
9 Head Gasket	1,10 mm	04157654 S.69941
10 Sump Gasket	4 Cylinder	03362574 S.69978
	6 Cylinder	03362581 S.38965
11 Shim Washer	0,2 mm	02137256 S.69971
	0,5 mm	02232963 S.69972
12 Timing Cover Gasket		



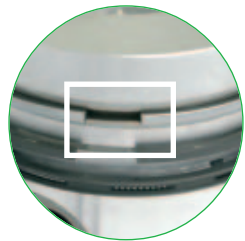
1 Main Bearings (1 pair)	Standard	02235185 S.312008
	0,025"	02230610 S.312009
2 Conrod Bearings (1 pair)	Standard	02235183 S.312012
	0,025"	02235204 S.312013
3 Thrust Washers (1 set)	Standard	02230196 S.312015
	0,025"	
4 Crankshaft	4 Cylinder	
	6 Cylinder	
5 Front Oil Seal		04232266 S.38703
6 Rear Oil Seal		04230392 S.69980



Description	Remarks	Replaces	
1 Conrod		04152302	S.37885
1 Conrod			
2 Small End Bush	35mm	03371612	S.69960
	40mm	02138563	S.312003
3 Conrod Bolt		04157075	S.37887
4 Conrod Nut			



1	Rocker Arm		02236736	S.312019
	Rocker Arm Shaft			
2	Collet	1 Groove	01168817	S.37833
		3 Grooves	02108102	S.37912
3	Valve Retainer	Top		
		Bottom		
4	Seal Valve Stem		02232527	S.312024
5	Valve Insert / Seal	Intake	02137302	S.69964
		Exhaust	02137306	S.69965
6	Push Rod		03371836	S.312018
6	Push Rod Tube	new type	03371888	S.38702
			02231912	S.315037
7	Tappet/Cam Follower		03371885	S.312017
8	Valve Spring	Intake	03369305	S.312016
		Exhaust	03369305	S.312016
9	Inlet/Exhaust Valve Guide		02232528	S.69963
10	Inlet Valve	3 Grooves	04159140	S.38661
	Exhaust Valve		04159136	S.69961
			04159139	S.69962
11	Camshaft	4 Cylinder		
		6 Cylinder		
12	Camshaft Bush			
13	Oil Pump	70L/min.	04231305	S.37954
		80L/min.	04231306	S.37955
14	Fuel Pump	2 Holes	01260140	S.36016
	Fuel Pump	3 Holes	04231021	S.36017



Ring Carrier Piston

Pistons with a particularly high compression ratio have a ring carrier. This is a cast-in groove for the first piston ring made from cast iron, which reduces the expansion and temperature.

S.37954



S.31118



Gasket Set per Cylinder

Engine	Replaces	Sparex
FL912 (B) FL913	02910048	S.31118

Deutz KHD

Engine
BFM 1012E
BFM 1013E

Models:

Cyl.	Liner mm		Piston mm			Additional information
	Bore	Height	Pin	Height	Rings	
4 6	94 108	196,00 229,10	34 42	98,00 108,00	3	

Agrotron 4.70, 4.80, 4.85, 4.90, 4.95, 6.00, 6.01, 6.05, 6.15, 6.20, 6.30, 6.45

Case IH

David
Brown

Deutz

Fendt

Fiatagri

Ford

John
Deere

M F

Renault

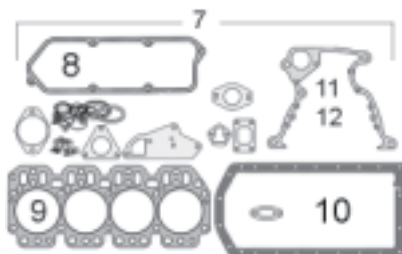
Zetor



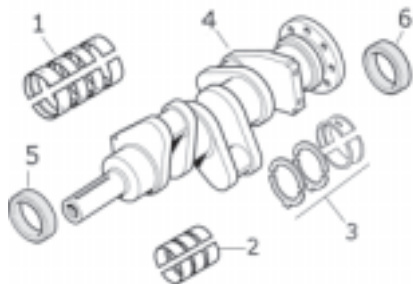
Description	Remarks	Replaces
94mm Piston (3 Rings), 34mm Pin Liner 102,50mm O.D. 196,00mm Height		Engine BFM1012E
1 Piston and Liner Set (per Cyl.)		S.37788
2 Liner	Ring Carrier	S.37832
3 Piston and Rings	Piston	04192937 S.37796
4 Ring Set		04800467 S.37802



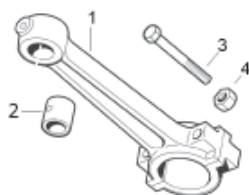
Description	Remarks	Replaces
108mm Piston (3 Rings), 42mm Pin Liner 128,50mm O.D. 229,10mm Height		Engine BFM1013E
1 Piston and Liner Set (per Cyl.)		S.37786
2 Liner	Ring Carrier	S.37795
3 Piston and Rings	Piston	S.37799
4 Ring Set		04800467 S.37805



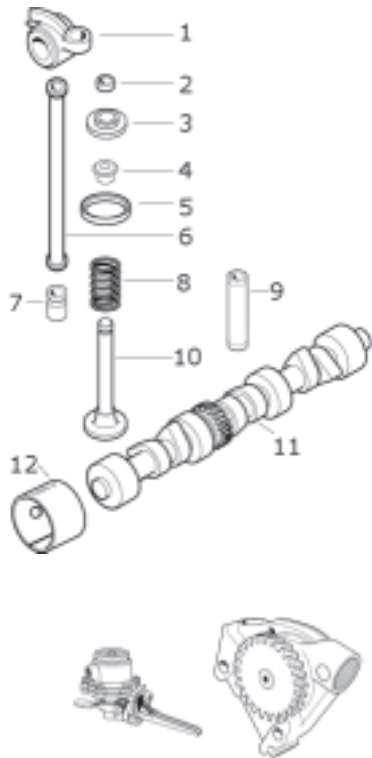
7 Complete Gasket Set	4 Cylinder	02929663	S.38520
	6 Cylinder	02931143	S.38709
8 Rocker Cover Gasket	4 Cylinder	04198794	S.38521
	6 Cylinder	04198969	S.38708
Head Gasket 4 Cylinder	1,54 mm	04209891	S.38522
	1,64 mm	04209892	S.38523
9 Head Gasket 6 Cylinder	1,74 mm	04209893	S.38524
	1,20 mm	04209895	S.38704
	1,10 mm	04209896	S.38705
	1,30 mm	04209897	S.38706
10 Sump Gasket	4 Cylinder	04195512	S.38525
	6 Cylinder		
11 Timing Cover Gasket			
12 Timing Cover Gasket			



1 Main Bearings (1 set) 4-Cylinder	4 Cylinder Std	02929100	S.38526
	4 Cylinder 0,010"	02929106	S.38527
2 Main Bearings (1 set) 6-Cylinder	6 Cylinder Std	02929100	S.38711
	6 Cylinder 0,010"	02929106	S.38712
3 Conrod Bearings (1 set) 4-Cylinder	4 Cylinder Std	02929070	S.38528
	4 Cylinder 0,010"	02929070	S.38529
4 Conrod Bearings (1 set) 6-Cylinder	4 Cylinder Std	02929070	S.38713
	6 Cylinder 0,010"	02929070	S.38714
5 Thrust Washers (1 pair)	Standard	02929104	S.38530
6 Crankshaft	4 Cylinder		
	6 Cylinder		
7 Front Oil Seal		04253372	S.38532
8 Rear Oil Seal		04253332	S.38533



1 Conrod	04195602
2 Small End Bush	
3 Conrod Bolt	04195618
4 Conrod Nut	



Description	Remarks	Replaces
1 Rocker Arm		04204023
1 Rocker Arm Shaft		
2 Collet		02108102 S.37912
3 Top Retainer		04192399
3 Bottom Retainer		
4 Seal Valve Stem		04192399 S.38696
5 Inlet Valve Insert		04192397
5 Exhaust Valve Insert		04192396
6 Push Rod		04206377
6 Push Rod Tube		
7 Tappet/Cam Follower		04251064
8 Valve Spring	Intake	03369305 S.312016
	Exhaust	03369305 S.312016
9 Inlet/Exhaust Valve Guide		04195708
10 Valve	Intake	04255216 S.38697
	Exhaust	04255217 S.38698
11 Camshaft	4 Cylinder	
	6 Cylinder	
12 Camshaft Bush		
13 Oil Pump		
14 Fuel Pump		02112672
15 Water Pump		04256850

Case IH

David Brown

Deutz

Fendt

Fiatagri

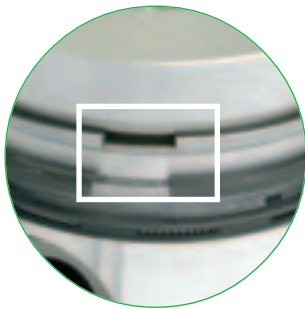
Ford

John Deere

M F

Renault

Zetor

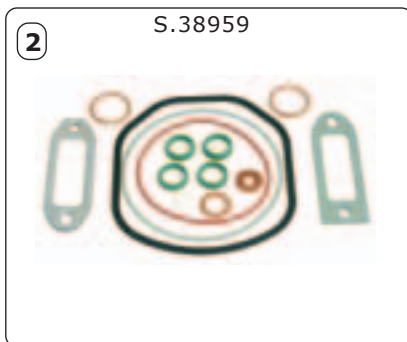
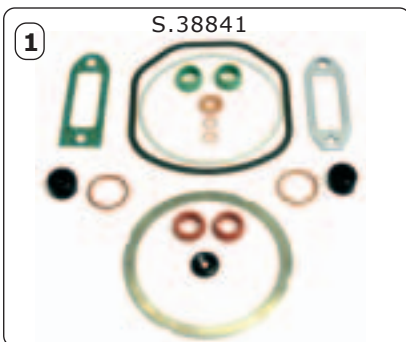


Ring Carrier Piston

Pistons with a particularly high compression ratio have a ring carrier. This is a cast-in groove for the first piston ring made from cast iron, which reduces the expansion and temperature.

S.37788





Gasket Set per Cylinder

Models	Engine	Replaces	Sparex
1	511		S.38841
not illustrated	514	03305749	S.38839
2 D 13, 15, 25, 30, 40L, 50, 2505, 3005, 4005, 5005, 5505, 6005, 8005, 9005	FL712 812	02910165	S.38959
3 D2506 to D13006 3.10SC to 3.90VC Intrac 2002, 2003, 2005	DX 36V to 160 4.10 to 7.10	FL912 (B) FL913	02910048 S.31118



Rocker Cover Gasket

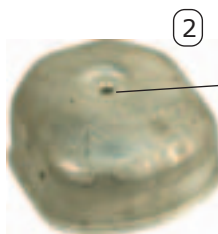
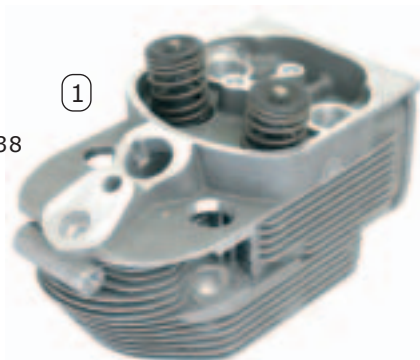
Engine	Replaces	Sparex
FL912 (B) FL913	04232125	S.31119



Cylinder Head Expansion Ring

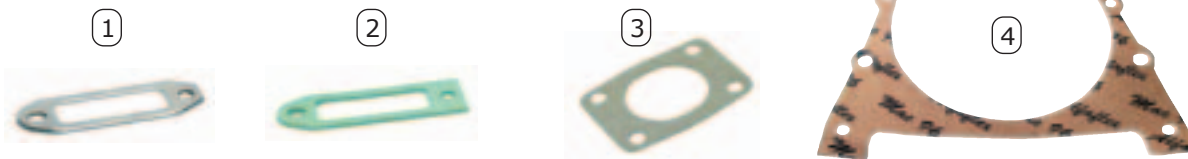
mm	Replaces	Sparex
1,10 Standard	04157654	S.69941
1,15	04157655	S.38570
1,20	04157656	S.38571
1,25	04157657	S.38572
1,30	04157658	S.38573
1,35	04157659	S.38574
1,40	04157466	S.38575
1,45	04157467	S.38576

S.37838



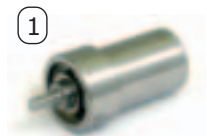
Cylinder Head and related parts

Description	Engine	Remarks	Replaces	Sparex
1 Cylinder Head complete with Valves	FL912, 913a		04230612	S.37838
	FL912D, 913		04230613	S.37839
	BF4L913			S.37837
	BF6L913CT			S.37836
2 Rocker Cover Gasket	FL912, FL913, BF		04231430	S.37982
3 Seal				S.31124
4 Cylinder Head Bolt	FL912, FL913	210mm	02101681	S.69966
	BF913	217mm	02238632	S.37958



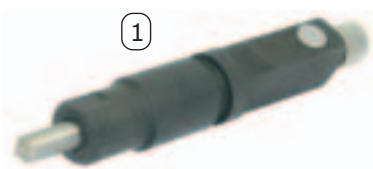
Various Gaskets

Description	Engine	Remarks	Replaces	Sparex
1 Exhaust Gasket	FL912, FL913, BFL913		03371689	S.31160
2 Intake Gasket	FL912, FL913		04157248	S.31161
3 Exhaust Manifold Gasket			04315399	S.312032
4 Rear Main Gasket			03362337	S.69995



Injector Nozzles

	Fits:		Replaces	Sparex
1	D 25, 30, 40	03369521 / 02934315	0434250009	S.36007
2	05 Series	03372154 / 02934378	0434250037	S.36008
3	06 and 07 Series	02233086 / 02934279	0433271376	S.36009
4	13006, DX140, 145	02233273 / 02934345	0433271377	S.36010



Injectors

Description	Models	Replaces	Sparex
1 Injector	06 and 07 Series, DX36-DX120	02233085 / 0432291753	S.36011
2 Injector	13006, DX140, DX145	02233369 / 0432291752	S.36012
3 Injector Bush		02137568	S.312036



Fuel Pipe for F4L912

Remarks	Replaces	Sparex
Type 1	02137514	S.312037
Type 2	02137515	S.312038
Type 3	02232341	S.312039
Type 4	02137517	S.312040

Case IH

David Brown

Deutz

Fendt

Fiatagri

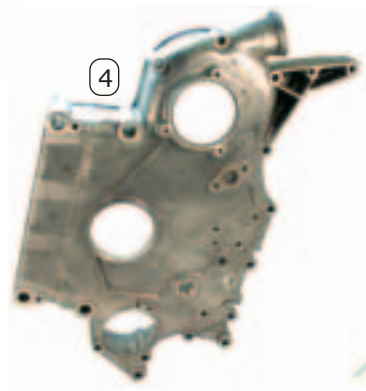
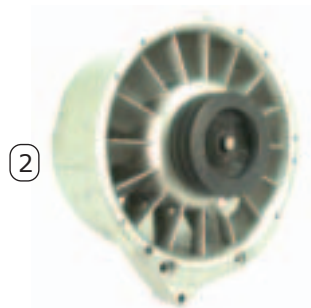
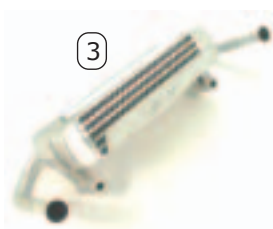
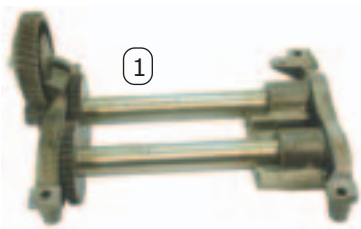
Ford

John Deere

M F

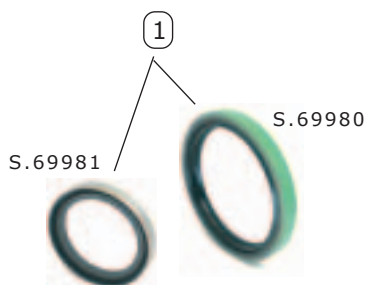
Renault

Zetor



Balancer Unit, Air Cooler

Description	Engine	Remarks	Replaces	Sparex
1 Balancer	FL912, FL913	4-Cylinder.	02238382	S.312007
2 Cooling Fan		4-Cylinder. 6-Cylinder.	02233420 04231047	S.312041 S.312042
3 Oil Cooler	FL912		02234409	S.312027
4 Timing Chain Cover	FL912, FL913		04158425	S.315034
5 Oil Stick	FL912		03362498	S.312028



Crankshaft Parts

Description	Engine	Remarks	Replaces	Sparex
1 Oil Seal	FL912, FL913	Front Rear	04152348 04230392	S.69981 S.69980
2 Pulley	FL912	3 / 4 Cylinder.	02234076	S.312001
	FL912	6 Cylinder.	02231419	S.312006
3 Crankshaft Front Gear	FL912		03362737	S.312000
4 Ring Gear	FL912		02131081	S.69985



Case IH

David Brown

Deutz

Fendt

Fiatagri

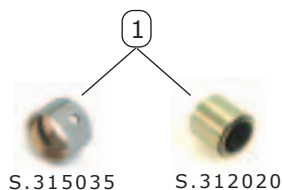
Ford

John Deere

M F

Renault

Zetor



Valve Parts

Description	Engine	Remarks	Replaces	Sparex
1 Rocker Arm Bush	912,913, BF	21,00mm x 13,80mm	02230851	S.315035
	912,913, BF	17,90 mm x 17,00	02237665	S.312020
2 Tappet	912, 913, BF		03371885	S.312017
3 Tappet Tube Gasket	912, 913, BF	Top	02232840	S.69998
	912, 913, BF	Bottom	02232840	S.69998
4 Insert	912, 913, BF		03371887	S.312023
5 Valve Cap	912, 913, BF		02139600	S.312021
6 Rocker Block	912, 913, BF		03371867	S.312025



Digital Caliper Gauge

S.14404



Tractor Model to Engine Index

	Model	Chassis Number		Engine	Page
		From	To		
Case IH	Farmer 1-5				
	1	237/1,3/0001		KD12Z	
David Brown	1	237/2,4/0001		AKD112Z	62
	1Z	131/4/0001	131/4/3645	AKD112Z	62
	1Z	131/4/3646	131/4/6000	D322-2	73
	1E	131/41/6001	131/41/7499	D325-2	71
	1D	131/42/7500		D325-3	71
Deutz	2	139/1/0001	139/1/2505	KD10,5D	60
	2	139/1/2506	139/1/3612	KD110,5D	61
	2	139/1/3616		D208-3	64
	2	139/1/3616		D208-3	64
	2	139/3/0001	139/3/2969	KD10,5D	60
	2	139/3/2970	139/3/15331	KD110,5D	61
	2	139/3/15332	139/3/17999	D208-3	64
Fendt	2E	139/1,3/18000		D208-3	64
	2D	228/1/0001	228/1/1126	KD10,5D	60
	2D	228/1/1127	228/1/10421	KD110,5D	61
	2D	228/1/10422	228/1/11999	D208/3	64
Fiatagri	2DE	228/1,3/12000		D208/3	64
	2S	138/7/0001	138/7/6000	D208-3	64
	2S	138/11/0001	138/11/6000	D208-3	64
	3S	238/1/0001	238/1/17000	D208-4	64
	3S	238/7/0001	238/7/17000	D208-4	64
	4S	258/1/0001	258/1/7000	D208-4	64
	4SA	258/7/0001	258/7/7000	D208-4	
	5S	268/01/0001	268/01/4000	D225-4	65
	5SA	268/21/0001	268/21/4000	D225-4	65
	Ford	Farmer 100			
102		135/31/0051	135/31/4600	D325-3	71
102S		135/01/0051	135/01/4600	D325-3	71
102SA		135/21/0051	135/21/4600	D325-3	71
102S		135/01/4601	135/01/4601	D226-3	66
102SA		135/21/4601	135/21/8185	D226-3	66
102S		135/01/8196		D226-3.2	67
102SA		135/21/8196		D226-3.2	67
102LS		135/02/11222		D226-3.2	67
102LSA		135/25/11222		D226.3.2	67
M F	103	138/31/6001		D225-3	65
	103	138/41/6001		D225-3	65
	103S	138/01/6001	138/01/11400	D225-3	65
	103SA	138/21/6001	138/21/11400	D225-3	65
	103S	138/01/11401		D226-3	66
	103SA	138/21/11401		D226-3	66
	103LS	138/05/17288		D226-3,2	67
	103LSA	138/25/17288		D226-3,2	67
	104S	238/01/17001	238/01/232041	D226-3	66
	104SA	238/21/17001	238/21/23204	D226-3	66
Renault	104S/LS	238/01,05/23205		D226-3,2	67
	104(L)SA	238/01,25/23205		D226-3,2	67
	105	258/31/7001		D226-3	66
	105	258/31/7001		D226-3	66
Zetor	Farmer 100				
	105S	258/01/7001	258/01/10600	D225-4	65
	105SA	258/21/10600	258/21/10600	D225-4	65
	105S	258/01/10601	258/01/14808	D226-4	66
	105SA	258/21/10601	258/21/14808	D226-4	66
	105S/LS	258/01,05/14809		D226-4,2	67
	105(L)SA	258/05,25/14809		D225-4,2	65
	106S	268/01/4001	268/01/8300	D225-4	65
	106SA	268/21/4001	268/21/8300	D225-4	65
	106S	268/01/8301	268/01/11951	D226-4	66
	106SA	268/21/8301	268/21/11951	D226-4	66
	106S/LS	268/01,05/119952		D226-4,2	67
	106(LS)A	268/05,25/11952		D226-4,2	67
	108S	278/01/0001	278/01/5408	D226-4	66
	108SA	278/21/0001	278/21/5408	D226-4	66
	108S/LS	278/01,05/5409		D226-4,2	67
	108(LS)A	278/21,25/5409		D226-4,2	67
	Farmer 200				
	200S	144/03/0001		F3L912	80
	200S	146/03/2902	146/03/2902	F3L912	80
200SA	146/23/0001	146/23/2902	F3L912	80	
200V	145/03/0001		F3L912	80	
200VA	145/23/0001		F3L912	80	
201S	146/03/2903		F3L912	80	
201SA	146/23/2903		F3L912	80	
203V	155/03/0001	155/03/6000	F3L912	80	
203VA	155/23/0001	155/23/6000	F3L912	80	
203V/II	155/05/6001		F3L913	78	
203VA/II	155/25/6001		F3L913	78	
203P	156/03/0001	156/03/6000	F3L912	80	
203PA	156/23/0001	156/23/6000	F3L912	80	
203P/II	156/05/6001		F3L913	78	
203PA/II	156/25/6001		F3L913	78	
204P	166/03/0001		F4L912	80	
204PA	166/23/0001		F4L912	80	
204V	167/03/0001		F4L912	80	
204VA	167/23/0001		F4L912	80	
205P	176/03/0001		F4L913	78	
205PA	176/23/0001		F4L913	78	
240S	294/01/0001		F3L912	80	
250S	295/01/0001		F3L912	80	
250LE	295/05/0001		F3L912	80	
250SA	295/21/0001		F3L912	80	
250LE	295/25/0001		F3L912	80	
260S	296/01/0001		F3L912	80	
260SA	296/21/0001		F3L912	80	
275SA	297/21/0001		F4L912	80	
250V	205/01/0001		F3L912	80	
250K	205/05/0001		F3L912	80	
250VA	205/21/0001		F3L912	80	



Model	Chassis Number		Engine	Page
	From	To		
Farmer 200				
250KA	205/25/0001		F3L912	80
260V	206/01/0001		F3L912	80
260VA	206/21/0001		F3L912	80
270V	207/01/0001		F4L912	80
270VA	207/21/0001		F4L912	80
275V	208/01/0001		F4L912	80
275VA	208/21/0001		F4L912	80
260P	246/01/0001		F3L912	80
260PA	246/21/0001		F3L912	80
270P	247/01/0001		F4L912	80
270PA	247/21/0001		F4L912	80
280P	248/01/0001		F4L912	80
280PA	248/21/0001		F4L912	80
Farmer 300				
303LS	152/01/0001	152/01/1009	D226-3,2	67
303LSA	152/21/0001	152/21/1009	D226-3,2	67
303LS	152/01/2001		D226-3,2	67
303LSA	152/21/2001		D226-3,2	67
304LS	158/01/0001	158/01/1284	D226-3,2	67
304LSA	158/21/0001	158/21/1284	D226-3,2	67
304LS	158/21/2001	158/01/3500	D226-3,2	67
304LSA	158/21/2001	158/21/3500	D226-3,2	67
304LS	158/01/3501		D226-3,2	67
304LSA	158/21/3501		D226-3,2	67
304LS	158/02/3801		TD226-B3	69
304LSA	158/22/3801		TD226-B3	69
304LS	158/02/20001	158/02/22000	TD226-B3	69
304LSA	158/22/20001	158/22/22001	TD226-B3	69
304LS	158/02/22001		TD226-B3	69
304LSA	158/22/22001		TD226-B3	69
305LS	162/01/0001	162/01/1107	D227-4,2	71
305LSA	162/21/0001	162/21/1107	D227-4,2	71
305LS	162/01/1108	162/01/4083	D226-4,2	67
305LSA	162/21/1108	162/21/4083	D226-4,2	67
305LS	162/01/5001	162/01/7500	D226-4,2	67
305LSA	162/21/5001	162/21/7500	D226-4,2	67
305LS	162/01/7501	162/01/8300	D226-4,2	67
305LSA	162/21/7501	162/21/8300	D226-4,2	67
305LS	162/03/8301	162/03/20000	D226-B4	68
305LSA	162/23/8301	162/23/20000	D226-B4	68
305LS	162/03/20001		D226-B4	68
305LSA	162/23/20001		D226-B4	68
306LS	168/01/0001	168/01/7132	D226-4,2	67
306LSA	168/21/0001	168/21/7132	D226-4,2	67
306LS	168/01/8001	168/01/11500	D226-4,2	67
306LSA	168/21/8001	168/21/11500	D226-4,2	67
306LS	168/01/11501	168/01/12031	D226-4,2	67
306LSA	168/21/11501	168/21/12031	D226-4,2	67
306LS	168/05/12032		D226-4,2	67
306LSA	168/25/12032		D226-4,2	67
306LSA	168/26/20000	168/26/20000	D226-B4	68
306LSA	168/26/20001		D226-B4	68
307LS	170/01/0001	170/01/2000	TD226-B3	69
307LSA	170/21/0001	170/21/2000	TD226-B3	69
307LS	170/01/2001	170/01/2820	TD226-B3	69
307LSA	170/21/2001	170/21/2820	TD226-B3	69
307LS	170/05/2821		TD226-B3	69

Model	Chassis Number		Engine	Page
	From	To		
Farmer 300				
307LSA	170/25/2821	170/25/3749	TD226-B3	69
307LSA	170/25/3800		TD226-B3	69
307LS	175/01/0801		TD226-B3	69
307LSA	175/21/0801		TD226-B3	69
307LS	175/01/20001		TD226-B3	69
307LSA	175/21/20001		TD226-B3	69
307	307/21/0101	307/21/1140	TD226-B3	69
307	307/21/1141		TD226-B3	69
307	117/01/0101		BF1012E	82
307	117/21/0101		BF1012E	82
308LS	178/01/0001	178/01/8183	D226-4,2	67
308LSA	178/21/0001	178/21/8183	D226-4,2	67
308LS	178/01/9001	178/01/12000	D226-4,2	67
308LSA	178/21/9001	178/21/12000	D226-4,2	67
308LS	178/01/12001	178/01/12529	D226-4,2	67
308LSA	178/21/12001	178/21/12529	D226-4,2	67
308LS	178/05/12530		D226-4,2	67
308LSA	178/25/12530	178/25/12993	D226-4,2	67
308LSA	178/26/13000		TD226-B4	69
308LS	178/06/14101	178/06/20000	TD226-B4	69
308LSA	178/26/14101	178/26/141	TD226-B4	69
308LS	178/06/20001	178/06/22000	TD226-B4	69
308LSA	178/26/20001	178/26/22000	TD226-B4	69
308LSA	178/26/22001		TD226-B4	69
308	308/21/0101	308/21/1195	TD226-B4	69
308	308/21/1196		TD226-B4	69
308	118/01/0101		BF1012EC	82
308	118/21/0101		BF1012EC	82
309LS	186/01/0001	186/01/7043	TD226-4,2	70
309LSA	186/21/0001	186/21/7043	TD226-4,2	70
309LS	186/01/8001	186/01/11500	TD226-4,2	70
309LSA	186/21/8001	186/21/11500	TD226-4,2	70
309LS	186/01/11501	186/01/12414	TD226-4,2	70
309LSA	186/21/11501	186/21/12414	TD226-4,2	70
309LS	186/05/12415		TD226-4,2	70
309LSA	186/25/12415	186/25/13544	TD226-4,2	70
309LSA	186/25/13600		TD226-B4	69
309LSA	186/25/14601		TD226-B4	69
309LSA	186/25/20001	186/25/30000	TD226-B4	69
309LSA	186/25/30001		TD226-B4	69
309	309/21/0101	309/21/1282	TD226-B4	69
309	309/21/1283		TD226-B4	69
309	119/21/0101		BF1012EC	82
310LSA	192/21/0001	192/21/2000	TD226-4,2	70
310LSA	192/21/0001	192/21/2399	TD226-4,2	70
310LSA	192/21/2400		TD226-B4	69
310LSA	192/22/3401		TD226-B4	69
310LSA	192/22/20001		TD226-B4	69
310	310/21/0101	310/21/1192	TD226-B4	69
310	310/21/1193		TD226-B4	69
311LSA	198/21/0001	198/21/2000	D226-6,2	67
311LSA	198/21/2001	198/21/5000	D226-6,2	67
311LSA	198/21/5001	198/21/5999	D226-6,2	67
311LSA	198/21/6000		D226-B6	68
311LSA	198/22/7701		D226-B6	68
311LSA	198/22/20001		D226-B6	68

Case IH

David Brown

Deutz

Fendt

Fiatagri

Ford

John Deere

M F

Renault

Zetor



Model	Chassis Number		Engine	Page
	From	To		
Farmer 300				
311	311/21/0101	311/21/1218	D226-B6	68
311	311/21/1219		D226-B6	68
312LSA	199/21/0001	199/21/2175	D226-B6	68
312LSA	199/21/2200		D226-B6	68
312LSA	199/22/3501		D226-B6	68
312LSA	199/22/20001		D226-B6	68
312	312/21/0101	312/21/1315	TD226-B6	69
312	312/21/1316		TD226-B6	69
Farmer 400				
409	409/21/0101		BF4M2013	83
410	410/21/0101		BF4M2013	83
411	411/21/0101		BF4M2013	83
Favorit				
1	140/1/0001		KD412D	
1	140/3/0001		KD412D	
2	150/1/0001		KD412D	
2	150/3/0001		KD412D	
3	150/11/0001	150/11/3416	KD210,5V	
3	150/11/3417		D208-4	64
3	150/7/0001	150/7/3416	KD210,5V	
3	150/7/3417		D208-4	64
3S	165/1/0001		D225-4	65
3SA	165/7/0001		D225-4	65
4	180/3/0001	180/3/0069	D225-6	65
4	180/7/0001	180/7/0069	D225-6	65
4S	180/3/0070		D225-6	65
4SA	180/7/0070		D225-6	65
10S	181/01/0001	181/01/0600	D225-6	65
10SA	181/21/0001	181/21/0600	D225-6	65
11S	182/01/0001	182/01/0300	D225-6	65
11SA	182/21/0001	182/21/0300	D225-6	65
12SA	183/21/0001		D226-6	66
509	509/21/0101		TD226-B4	69
510	510/21/0101		TD226-B4	69
511	511/21/0101		D226-B6	68
512	512/21/0101		TD226-B6	69
514	514/21/0101		TD226-B6	69
515	515/21/0101		TD226-B6	69
600LS	280/01/0051	280/01/1681	D227-6	71
600LSA	280/21/0051	280/01/1681	D227-6	71
610LS	281/01/0001	281/01/0724	D226-6	66
610LS	281/01/0725	281/01/0949	D226-6,2	67
610LS	281/01/0950	281/01/3135	D227-6	71
610LSA	281/21/0001	281/21/0724	D226-6	66
610LSA	281/21/0725	281/21/0949	D226-6,2	67
610LSA	281/21/0950	281/21/3135	D227-6	71
610S	181/01/0601		D225-6	65
610SA	181/21/0601		D225-6	65
611LS	282/01/0001	282/01/0639	D226-6	66
611LS	282/01/0640	282/01/5474	D226-6,2	67
611LSA	282/21/0001	282/21/0639	D226-6	66
611LSA	282/21/0640	282/21/5474	D226-6,2	67
611LSA	382/21/0001	382/21/1420	D226-6	66
611LSA	382/21/2001		TD226-B6	69
611S	182/01/0301		D226-6	66
611SA	182/21/0301		D226-6	66
612SA	184/21/0051	184/21/0848	D226-6	66

Model	Chassis Number		Engine	Page
	From	To		
Favorit				
612LSA	283/21/0001	283/21/0613	D226-6	66
612LSA	283/21/0614	283/21/2803	D226-6,2	67
612LSA	383/21/0001	383/21/1465	TD226-6	70
612LSA	383/21/2001		TD226-B6	69
614LSA	284/21/0001	284/21/0312	TD226-6	70
614LSA	284/21/0313	284/21/1437	TD226-6,2	70
614LSA	384/21/0001	384/21/0683	TD226-6	70
614LSA	384/21/2001		TD226-B6	69
614SA	184/24/0051	184/24/0204	TD226-6	70
GT-Models				
615LSA	285/21/0001	285/21/0116	TD226-6	70
615LSA	285/21/0117	285/21/0490	TD226-6,2	70
615LSA	285/26/0491	285/26/1230	TD226-6,2	70
615LSA	385/21/0001	385/21/0556	TD226-B6	69
711	711/21/0101		BF6M2013	83
712	712/21/0101		BF6M2013	83
714	714/21/0101		BF6M2013C	83
716	716/21/0101		BF6M2013C	83
816	816/21/0101		D0826TE520	85
818	818/21/0101		D0826LE521	85
822	822/21/0101		D0826LE522	85
824	824/21/0101		D0826LE523	85
916	916/21/0101	916/21/3000	D0826LE524	85
916	916/23/3001		D0836LE504	86
920	920/21/0101	920/21/3000	D0826LE530	85
920	920/23/3001		D0836LE503	86
924	924/21/0101	924/21/3000	D0826LE527	85
924	924/23/3001		D0836LE502	86
926	926/21/0101	926/21/3000	D0826LE531	85
926	926/23/3001		D0836LE501	86
Xylon				
520	520/24/0001		D0824LUE523	84
522	522/24/0001		D0824LUE522	84
524	524/24/0001		D0824LUE521	84
GT-Models				
F225GT	225/0001		AKD112Z	62
F230GT	230/0001		AKD210,5D	63
F231GT	231/0001	231/14999	D308-3	72
F231GT	231/15000		D325-3	74
F231GT	231/16774		D327-3	75
F250GT	250/0001		D925L3	76
F255GT	255/0001		F3L912	80
F255GT	255/01/0001		F3L912	80
F275GT	275/0001	275/4000	F4L912	80
F275GT	275/01/0001	275/01/4000	F4L912	80
F275GTII	275/4001		F4L913	78
F275GTII	275/01/4001		F4L913	78
F345GT	345/01	345/01/7000	F3L912	80
F345GTM	345/02		F3L912	80
F360GT	360/01		F3L913	78
F360GTF	360/02		F3L913	78
F360GTH	360/03		F3L913	78
F365GTA	365/22		F4L912	80
F370GT	370/01		F4L912	80
F370GTA	370/22		F4L912	80
F370GT	148/01/0101		F4L913	78



Model	Chassis Number		Engine	Page
	From	To		
GT-Typen				
F370GTA	148/22/0101		F4L913	78
F380GT	380/01		F4L913	78
F380GTF	380/02		F4L913	78
F380GTH	380/03		F4L913	78
F380GTA	380/22		F4L913	78
F380GHA	380/24		F4L913	78
F380GTA	149/22/0101		BF4L913	77
F390GTA	390/22/0101		F6L912	80
F395GTA	395/22/0101		F6L913	78
F395GHA	395/24/0101		F6L913	78
F231GT	231/0001	231/14999	D308-3	72
F231GT	231/15000		D325-3	71
F250GT	250/0001		D925L3	76
F255GT	255/9001		F3L912	80
F275GT	275/9001		F4L912	80
F275GTII	275/01/90001		F4L913	78
F275GT	275/21/90001		F4L913	78
FL345	345/01/90001		F3L912	80
FL360	360/01/90001		F3L913	78
FL365	365/01/0001		F3L913	78
FL380	380/01/90001		F4L913	78
FLA380	380/21/90001		F4L913	78



Case IH

David Brown

Deutz

Fendt

Fiatagri

Ford

John Deere

M F

Renault

Zetor

Fendt MWM

Engine	Liner mm			Piston mm			Additional information
	Cyl.	Bore	Height	Pin	Height	Rings	
KD10,5	3	90	196,5	32	113	4	Water cooled Engine

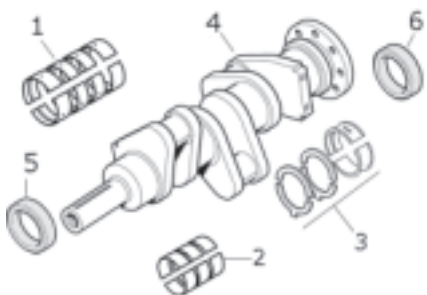
Models: Farmer2, 2D



Description	Remarks	Replaces	Sparex
1 Piston and Liner Set (per Cyl.)			S.37706
2 Liner		F139200210251	S.37751
3 Piston and Rings		F13920310090	S.37725
4 Ring Set			S.37741
5 Liner Seal		X548874860000	S.38931



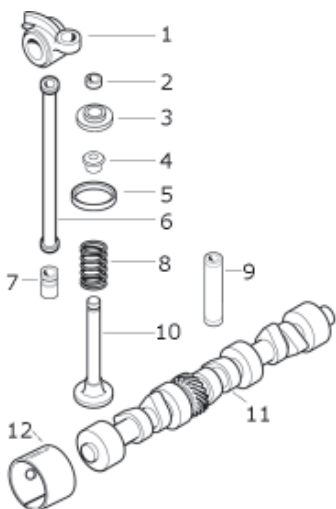
6 Top Gasket Set			S.38881
Complete Gasket Set			
8 Rocker Cover Gasket		F139200210010	S.38923
9 Head Gasket		F139200210261	S.38918
10 Sump Gasket			
11 Timing Cover Gasket			
12 Timing Cover Gasket			



1 Main Bearings (1 pair)	Standard	F139207210070	S.37903
	0,010"	F139207210310	S.38504
2 Conrod Bearings (1 pair)	Standard	F139207310670	S.37761
	0,010"	F139207310680	S.38505
3 Thrust Washers (1 pair)	Standard	F139200210080	S.37890
	0,010"	F139200210350	S.38506
4 Crankshaft			
5 Front Oil Seal		F199200210020	S.38920
6 Rear Oil Seal		F139207210100	S.38937



1 Conrod			
2 Small End Bush		F139200310140	S.37857
3 Conrod Bolt		F139207310421	S.37859
4 Conrod Nut			



1 Rocker Arm			
2 Rocker Arm Shaft			
3 Collet		F139207210500	S.37935
4 Valve Retainer			
5 Valve Stem Seal			
6 Inlet Valve Insert			
7 Exhaust Valve Insert			
8 Push Rod			
9 Tappet/Cam Follow er			
10 Inlet Valve Spring			
11 Exhaust Valve Spring			
12 Inlet/Exhaust Valve Guide			
13 Inlet Valve		F139207210520	S.37920
14 Exhaust Valve		F139207210490	S.37930
15 Camshaft			
16 Camshaft Bush			



13 Oil Pump			
14 Fuel Pump			
15 Water Pump			

Fendt MWM

Engine	Liner mm			Piston mm			Additional information
	Cyl.	Bore	Height	Pin	Height	Rings	
KD110,5	3	90	200	32	113	4	Water cooled Engine

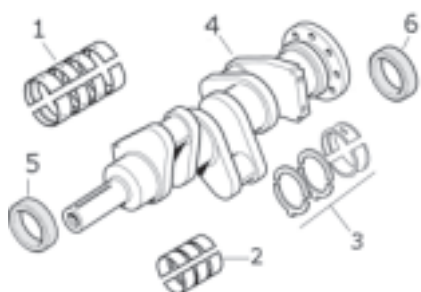
Models: Farmer 2, 2D



Description	Remarks	Replaces	Sparex
1 Piston and Liner Set (per Cyl.)			S.37707
2 Liner		F139207210010	S.37750
3 Piston and Rings		F112200410550	S.37725
4 Ring Set			S.37741
5 Liner Seal		X548874860000	S.38931



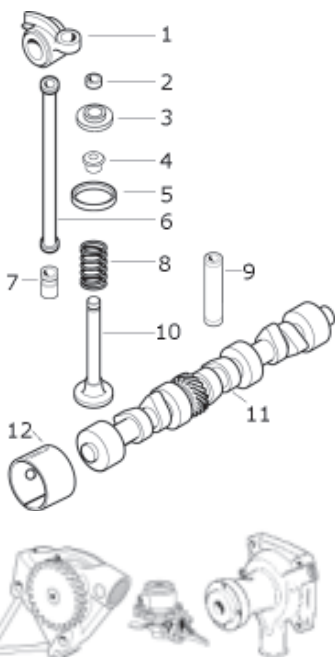
6 Top Gasket Set			S.38873
Complete Gasket Set		X542807900000	S.38501
8 Rocker Cover Gasket		F238200210061	S.38925
9 Head Gasket		F230200210210	S.38893
10 Sump Gasket			
11 Timing Cover Gasket		F139207210090	S.38502
12 Timing Cover Gasket		F139207210110	S.38503



1 Main Bearings (1 pair)	Standard	F139207210070	S.37903
	0,010"	F139207210310	S.38504
2 Conrod Bearings (1 pair)	Standard	F139207310670	S.37761
	0,010"	F139207310680	S.38505
3 Thrust Washers (1 pair)	Standard	F139200210080	S.37890
	0,010"	F139200210350	S.38506
4 Crankshaft			
5 Front Oil Seal		F199200210020	S.38920
6 Rear Oil Seal		F139207210100	S.38937



1 Conrod		F139207310080	
2 Small End Bush		F139200310140	S.37857
3 Conrod Bolt		F139207310421	S.37859
4 Conrod Nut			



1 Rocker Arm		F138204210010	
Rocker Arm Shaft			
2 Collet		F139207210500	S.37935
3 Valve Retainer		F139207210510	
4 Valve Stem Seal		F139200210520	
5 Inlet Valve Insert		F184230210080	
Exhaust Valve Insert		F250200210261	
6 Push Rod		F230200210220	
7 Tappet/Cam Follower		F139207210220	
8 Valve Spring		F139207210180	
9 Inlet/Exhaust Valve Guide		F139207210230	S.37939
10 Inlet Valve		F139207210520	S.37920
Exhaust Valve		F139207210490	S.37930
11 Camshaft			
12 Camshaft Bush			

13 Oil Pump		F231201310210	S.37951
14 Fuel Pump			
15 Water Pump			

Sparex

Case IH

David Brown

Deutz

Fendt

Fiatagri

Ford

John Deere

M F

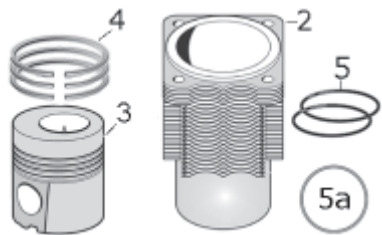
Renault

Zetor

**Fendt
MWM**

Engine	Liner mm			Piston mm			Additional information
	Cyl.	Bore	Height	Pin	Height	Rings	
AKD 112-2	2	98	254,7	35	113	5	Air cooled engine

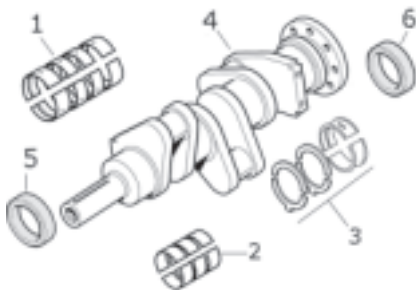
Models: Farmer 1, 1Z, F225GT



Description	Remarks	Replaces	Sparex
1 Piston and Liner Set (per Cyl.)			S.37703
2 Liner		F112200210180	S.37753
3 Piston and Rings		F112200410550	S.37723
4 Ring Set			S.37744
5 Liner Seal		X548965286000	S.38930
5a Shim Washer		F024200210580	S.38887



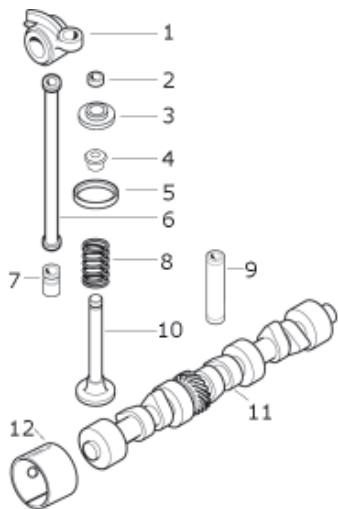
6 Top Gasket Set			S.37867
Complete Gasket Set			
8 Rocker Cover Gasket		F024200210440	S.38924
9			
10 Sump Gasket			
11 Timing Cover Gasket			
12 Timing Cover Gasket			



1 Main Bearings (1 pair)	Standard	F024200310420	S.37900
2 Conrod Bearings (1 pair)	Standard	F139207310670	S.37761
3 Thrust Washers (1 pair)			
4 Crankshaft			
5 Front Oil Seal		X545114800000	S.50379
6 Rear Oil Seal		X545017300000	S.50425



1 Conrod			
2 Small End Bush			
3 Conrod Bolt			
4 Conrod Nut			



1 Rocker Arm			
Rocker Arm Shaft			
2 Collet		F024200410320	S.37935
3 Valve Retainer			
4 Valve Stem Seal			
5 Inlet Valve Insert			
Exhaust Valve Insert			
6 Push Rod			
7 Tappet/Cam Follow er			
8 Inlet Valve Spring			
Exhaust Valve Spring			
9 Inlet/Exhaust Valve Guide			
10 Inlet Valve		F024200410310	S.37919
Exhaust Valve		F024200410300	S.37926
11 Camshaft			
12 Camshaft Bush			



13 Oil Pump			
14 Fuel Pump			
15 Water Pump			

**Fendt
MWM**

Engine	Liner mm			Piston mm			Additional information
	Cyl.	Bore	Height	Pin	Height	Rings	
AKD210.5	2	95	131				Air cooled engine
Models: F230GT							

Sparex

Case IH

David Brown

Deutz

Fendt

Fiatagri

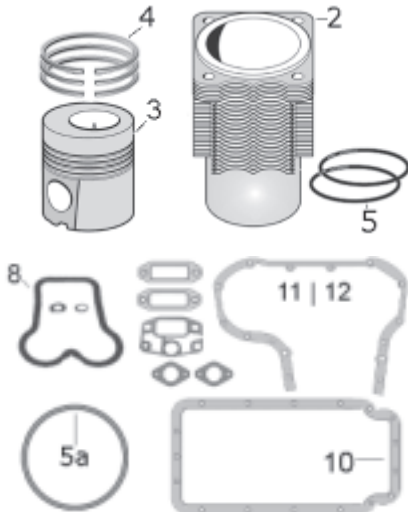
Ford

John Deere

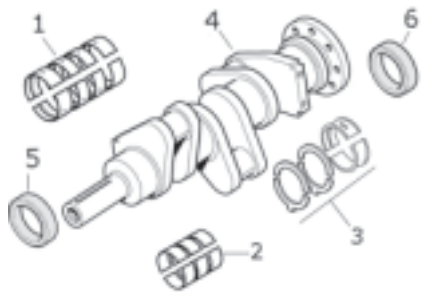
M F

Renault

Zetor



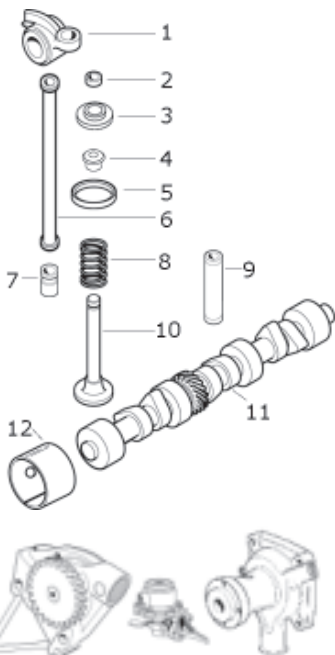
Description	Remarks	Replaces	Sparex
1 Piston and Liner Set (per Cyl.)			S.37711
2 Liner		F230200310050	S.37754
3 Piston and Rings		F230200310040	S.37722
4 Ring Set			S.37740
5 Liner Seal		X548987486000	S.38932
5a Shim Washer 0,10mm		F230200310060	S.37962
6 Top Gasket Set			S.38873
Complete Gasket Set			
8 Rocker Cover Gasket		F139200210010	S.38923
9			
10 Sump Gasket			
11 Timing Cover Gasket			
12 Timing Cover Gasket			



1 Main Bearings (1 pair)	Standard
2 Conrod Bearings (1 pair)	Standard
3 Thrust Washers (1 pair)	Standard
4 Crankshaft	
5 Front Oil Seal	
6 Rear Oil Seal	



1 Conrod
2 Small End Bush
3 Conrod Bolt
4 Conrod Nut



1 Rocker Arm
Rocker Arm Shaft
2 Collet
3 Valve Retainer
4 Valve Stem Seal
5 Inlet Valve Insert
Exhaust Valve Insert
6 Push Rod
7 Tappet/Cam Follow er
8 Inlet Valve Spring
Exhaust Valve Spring
9 Inlet/Exhaust Valve Guide
10 Inlet Valve
Exhaust Valve
11 Camshaft
12 Camshaft Bush
13 Oil Pump
14 Fuel Pump
15 Water Pump

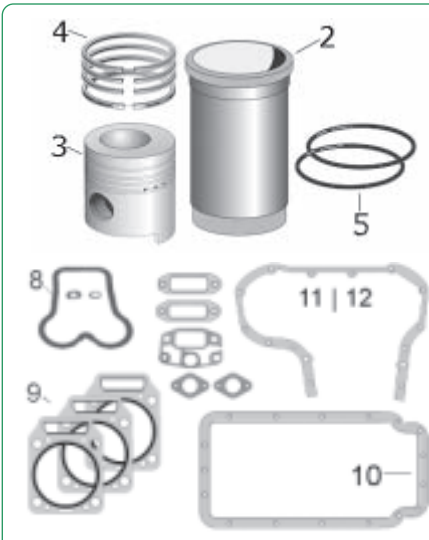
**Fendt
MWM**

Engine	Liner mm			Piston mm			Additional information
	Cyl.	Bore	Height	Pin	Height	Rings	
D208-3-4	3	95	200	32	113	4	

Models: Farmer 2, 2E, 2S, 3S, 4S, Favorit 3

Case IH

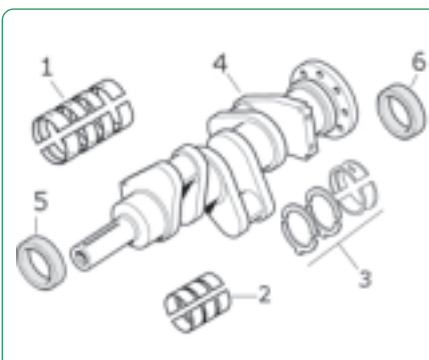
David Brown



Description	Remarks	Replaces	Sparex
1 Piston and Liner Set (per Cyl.)			S.37710
2 Liner		F150204210030	S.37752
3 Piston and Rings		F231201310011	S.37727
4 Ring Set			S.37740
5 Liner Seal		X548987486000	S.38931
6 Top Gasket Set			S.37870
7 Complete Gasket Set			
8 Rocker Cover Gasket		F238200210061	S.38925
9 Head Gasket		F139207210031	S.38893
10 Sump Gasket	3 Cylinder	F139207210060	S.38916
	4 Cylinder	F150204210060	S.38919
11 Timing Cover Gasket		F139207210090	S.38502
12 Timing Cover Gasket		F139207210110	S.38503

Deutz

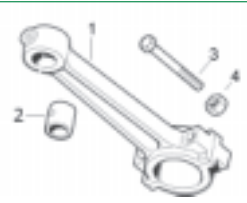
Fendt



1 Main Bearings (1 pair)	Standard	F139207210070	S.37903
	0,010"	F139207210310	S.38504
2 Conrod Bearings (1 pair)	Standard	F139207310670	S.37761
	0,010"	F139207310680	S.38505
3 Thrust Washers (1 pair)	Standard	F139200210080	S.37890
	0,010"	F139200210350	S.38506
4 Crankshaft			
5 Front Oil Seal		F199200210020	S.38920
6 Rear Oil Seal		F139207210100	S.38937

Fiatagri

Ford

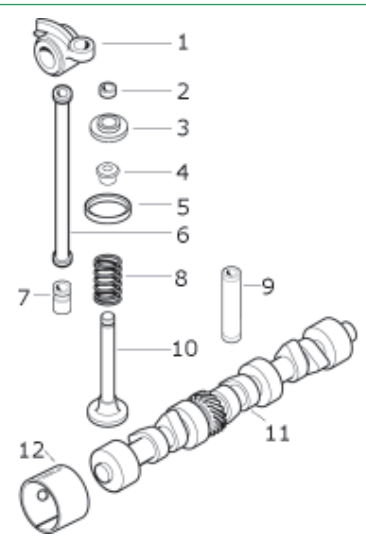


1 Conrod		F139207310080	
2 Small End Bush		F139200310140	S.37857
3 Conrod Bolt		F139207310421	S.37859
4 Conrod Nut			

John Deere

M F

Renault



1 Rocker Arm			
Rocker Arm Shaft			
2 Collet		F139207210500	S.37935
3 Valve Retainer			
4 Valve Stem Seal			
5 Inlet Valve Insert			
Exhaust Valve Insert			
6 Push Rod			
7 Tappet/Cam Follow er			
8 Inlet Valve Spring			
Exhaust Valve Spring			
9 Inlet/Exhaust Valve Guide		F139207210230	S.37939
10 Inlet Valve		F139207210520	S.37920
Exhaust Valve		F139207210490	S.37930
11 Camshaft			
12 Camshaft Bush			

Zetor



13 Oil Pump		F139207310530	
14 Fuel Pump		F150204710012	S.14591
15 Water Pump		F281200610010	S.63063

Fendt MWM

Engine

Liner mm

Piston mm

Cyl.

Bore

Height

Pin

Height

Rings

Additional information

D225-
3-4-6

3 | 4 | 6

95

212

32

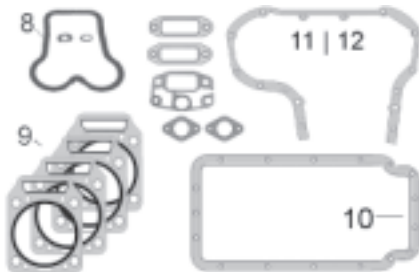
112,8

4

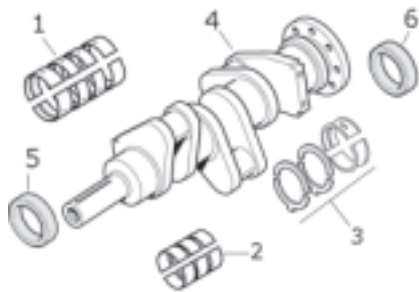
Models: Farmer 103S, 5S, 105S, 106S, Favorit 4S, 10S, 11S, 610S



Description	Remarks	Replaces	Sparex
1 Piston and Liner Set (per Cyl.)			S.37705
2 Liner		F180200210110	S.37756
3 Piston and Rings		F231202310010	S.37724
4 Ring Set			S.37740
5 Liner Seal		X548987466000	S.38932



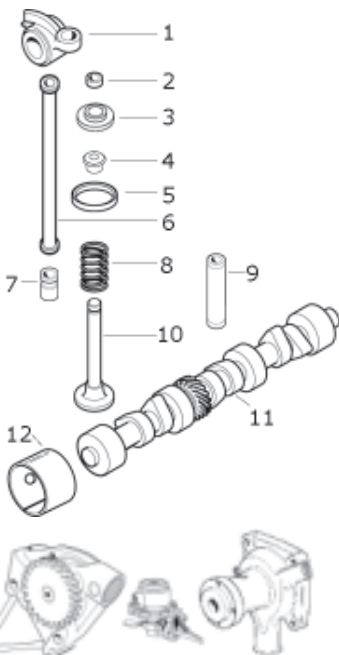
6 Top Gasket Set			S.37870
7 Complete Gasket Set			
8 Rocker Cover Gasket		F238200210061	S.38925
9 Head Gasket		F139207210031	S.38893
10 Sump Gasket	3 Cylinder	F139207210060	S.38916
	4 Cylinder	F150204210060	S.38919
	6 Cylinder	F180200210040	S.38914
11 Timing Cover Gasket		F180200210180	S.38941
12 Timing Cover Gasket		F180200210160	S.38616



1 Main Bearings (1 pair)	Standard	F139207210070	S.37903
	0,010"	F139207210310	S.38504
2 Conrod Bearings (1 pair)	Standard	F139207310670	S.37761
	0,010"	F139207310680	S.38505
3 Thrust Washers (1 pair)	Standard	F139200210080	S.37890
	0,010"	F139200210350	S.38506
4 Crankshaft			
5 Front Oil Seal		F199200210020	S.38920
6 Rear Oil Seal		X550174902000	S.38940



1 Conrod		F285200310121	
2 Small End Bush	32 mm	F139200310140	S.37857
3 Conrod Bolt		F139207310421	S.37859
4 Conrod Nut			



1 Rocker Arm		F138204210010	
Rocker Arm Shaft			
2 Collet		F139207210500	S.37935
3 Valve Retainer		F139207210510	
4 Valve Stem Seal		F139200210520	
5 Inlet Valve Insert		F278203210030	
	Exhaust Valve Insert	F184230210080	
6 Push Rod		F180200410040	
7 Tappet/Cam Follow er		F238200210091	
8 Valve Spring		F139207210180	
9 Inlet/Exhaust Valve Guide		F139207210230	S.37939
	Inlet Valve	F183200210080	S.37921
Exhaust Valve	F183200210070	S.37931	
11 Camshaft			
12 Camshaft Bush			
13 Oil Pump			
14 Fuel Pump		F150204710012	S.14591
15 Water Pump		F281200610010	S.63063

Sparex

Case IH

David Brown

Deutz

Fendt

Fiatagri

Ford

John Deere

M F

Renault

Zetor

Fendt MWM

Engine	Liner mm			Piston mm			Additional information
	Cyl.	Bore	Height	Pin	Height	Rings	
D226	3 4 6	105	214	35	112,8	4	D226-3-4-6

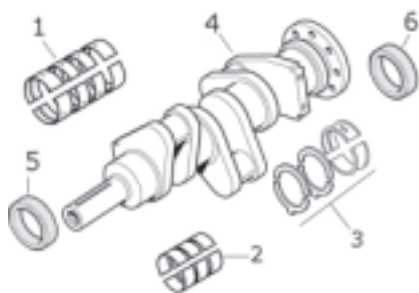
Models: 102S, 103S, 104S, 105S, 106S, 108S, 12S, 610LS, 610LSA, 611LS, 611LSA, 612LSA



Description	Remarks	Replaces	Sparex
1 Piston and Liner Set (per Cyl.)			S.37708
2 Liner		F385200210240	S.37757
3 Piston and Rings		F183200310010	S.37726
4 Ring Set			S.37747



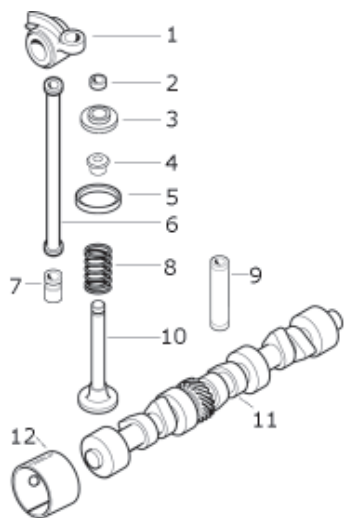
6 Top Gasket Set			S.38876
7 Complete Gasket Set			
8 Rocker Cover Gasket		F238200210061	S.38925
9 Head Gasket	0,8mm	F183200210052	S.38894
10 Sump Gasket	3 Cylinder	F139207210060	S.38916
	4 Cylinder	F150204210060	S.38919
	6 Cylinder	F180200210040	S.38914
11 Timing Cover Gasket		F180200210180	S.38941
12 Timing Cover Gasket		F180200210160	S.38616



1 Main Bearings (1 pair)	Standard	F139207210070	S.37903
	0,010"	F139207210310	S.38504
2 Conrod Bearings (1 pair)	Standard	F139207310670	S.37761
	0,010"	F139207310680	S.38505
3 Thrust Washers (1 pair)	Standard	F139200210080	S.37890
	0,010"	F139200210350	S.38506
4 Crankshaft			
5 Front Oil Seal		F199200210020	S.38920
6 Rear Oil Seal		X550174902000	S.38940



1 Conrod		F285200310121	
2 Small End Bush		F139200310140	S.37858
3 Conrod Bolt		F139207310421	S.37859
4 Conrod Nut			



1 Rocker Arm		F138204210010	
Rocker Arm Shaft			
2 Collet		F139207210500	S.37935
3 Valve Retainer		F139207210510	
4 Valve Stem Seal		F139200210520	
5 Inlet Valve Insert		F278203210030	
Exhaust Valve Insert		F184230210080	
6 Push Rod		F180200410040	
7 Tappet/Cam Follower		F238200210091	
8 Valve Spring		F139207210180	
9 Inlet/Exhaust Valve Guide		F139207210230	S.37939
10 Inlet Valve		F183200210080	S.37921
Exhaust Valve		F183200210070	S.37931
11 Camshaft			
12 Camshaft Bush			



13 Oil Pump		F184230310080	
14 Fuel Pump		F278201710400	S.14591
15 Water Pump		F281200610010	S.63063

Fendt MWM

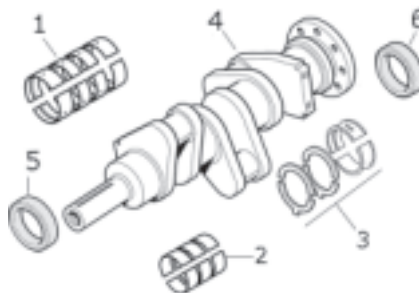
Engine	Liner mm			Piston mm			Additional information
	Cyl.	Bore	Height	Pin	Height	Rings	
D226,2	3 4 6	105	214	35	113,4	4	D226 3,2 4,2 6,2
Models: 102, 103, 104, 105, 106, 108LS/A							
303, 304, 305, 306, 308LS/A, 311LSA, 610/611LS/A, 612LSA							



Description	Remarks	Replaces	Sparex
1 Piston and Liner Set (per Cyl.)			S.37712
2 Liner		F385200210240	S.37757
3 Piston and Rings		F158200310010	S.37729
4 Ring Set			S.37747



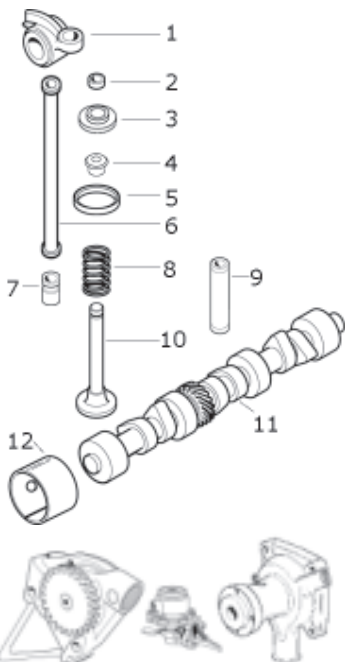
6 Top Gasket Set			S.38877
7 Complete Gasket Set			
8 Rocker Cover Gasket		F238200210061	S.38925
9 Head Gasket		F138211210040	S.38895
10 Sump Gasket	3 Cylinder	F139207210060	S.38916
	4 Cylinder	F150204210060	S.38919
	6 Cylinder	F180200210040	S.38914
11 Timing Cover Gasket		F180200210180	S.38941
12 Timing Cover Gasket		F180200210160	S.38616



1 Main Bearings (1 pair)	Standard	F285200210070	S.37909
	0,010"	F285200210080	S.38516
2 Conrod Bearings (1 pair)	Standard	F285200310140	S.37767
	0,010"	F285200310150	S.38517
3 Thrust Washers (1 pair)	Standard	F385200210190	S.37896
4 Crankshaft		F135201310010	
5 Front Oil Seal		F199200210020	S.38920
6 Rear Oil Seal		X550174902000	S.38940



1 Conrod		F285200310121	
2 Small End Bush		F285200310130	S.37858
3 Conrod Bolt		F139207310421	S.37859
4 Conrod Nut			



1 Rocker Arm		F138204210010	
Rocker Arm Shaft			
2 Collet		F139207210500	S.37935
3 Valve Retainer		F139207210510	
4 Valve Stem Seal		F139200210520	
5 Inlet Valve Insert		F278203210030	
Exhaust Valve Insert		F184230210080	
6 Push Rod		F180200410040	
7 Tappet/Cam Follow er		F180200410040	
8 Valve Spring		F238200210091	
9 Inlet/Exhaust Valve Guide		F139207210230	S.37939
10 Inlet Valve		F183200210080	S.37921
Exhaust Valve		F183200210070	S.37931
11 Camshaft			
12 Camshaft Bush			
13 Oil Pump		F184230310080	S.37950
14 Fuel Pump		F278201710400	S.14592
15 Water Pump		F281200610010	S.63063

Sparex

Case IH

David Brown

Deutz

Fendt

Fiatagri

Ford

John Deere

M F

Renault

Zetor

Fendt MWM

Engine	Liner mm			Piston mm			Additional information
	Cyl.	Bore	Height	Pin	Height	Rings	
D226-4B 6B	4	105	213	35	102,4	3	

Models: 305, 306LS/A, 311, 312LS/A, 511C

Case IH

David Brown

Deutz

Fendt

Fiatagri

Ford

John Deere

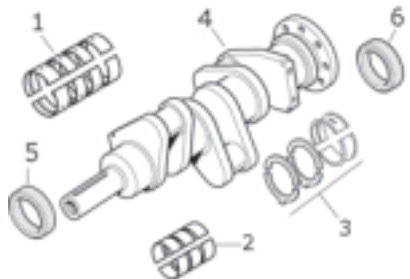
M F

Renault

Zetor



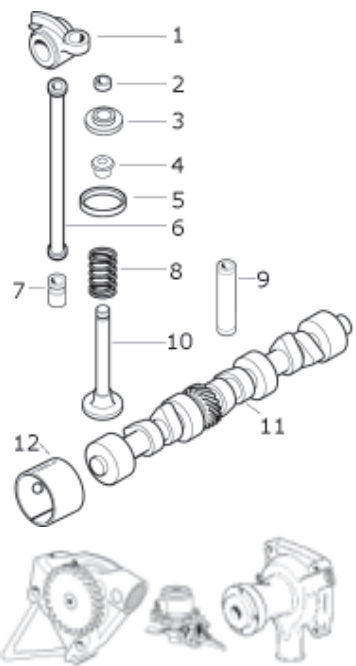
Description	Remarks	Replaces	Sparex
1 Piston and Liner Set (per Cyl.)			S.37701
2 Liner		F385200210290	S.37760
3 Piston and Rings		F199201310030	S.37720
4 Ring Set		F199204310020	S.37749
5 Liner Seal		F170200210030	S.38933
Liner Seal		F385200210030	S.38934
6 Top Gasket Set			Einzelteile or
7 Complete Gasket Set		F168204210020	
8 Rocker Cover Gasket		F238200210061	S.38925
9 Head Gasket 1,4mm		F138211210040	S.38895
Head Gasket 1,2mm			S.38896
10 Sump Gasket	4 Cyl. 6 Cyl.	F150204210060 F180200210040	S.38919 S.38914
11 Timing Cover Gasket		F180200210180	S.38941
12 Timing Cover Gasket		F180200210160	S.38616



1 Main Bearings (1 pair)	Standard 0,010"	F285200210070 F285200210080	S.37909 S.38516
2 Conrod Bearings (1 pair)	Standard 0,010"	F285200310140 F285200310150	S.37767 S.38517
3 Thrust Washers (1 pair)	Standard	F385200210190	S.37896
4 Crankshaft			
5 Front Oil Seal		F199200210020	S.38920
6 Rear Oil Seal		X550174902000	S.38940



1 Conrod		F385200310070	
2 Small End Bush		F285200310130	S.37858
3 Conrod Bolt		F139207310421	S.37859
4 Conrod Nut			



1 Rocker Arm		F385200410020	
Rocker Arm Block complete		12159631	S.38651
Rocker Arm Block		F385200410010	S.38652
Rocker Arm Shaft			
2 Collet		F139207210500	S.37935
3 Valve Retainer		F139207210510	
4 Valve Stem Seal		F284201011030	
5 Inlet Valve Insert		F199200210060	
Exhaust Valve Insert		F385200210120	
6 Push Rod		F180200410040	
7 Tappet/Cam Follow er		F385200410050	S.38630
8 Inlet Valve Spring		F284201011020	
Intake Valve Spring		F284201011010	
9 Inlet Valve Guide		F384200210020	
Exhaust Valve Guide		F384200210030	
10 Inlet Valve		F199200210040	S.37923
Exhaust Valve		F199200210050	S.37932
11 Camshaft		F510201310010	S.38636
12 Camshaft Bush			
13 Oil Pump		F184230310080	S.37950
14 Fuel Pump		F278201710400	S.14592
15 Water Pump		F281200610010	S.63063

**Fendt
MWM**

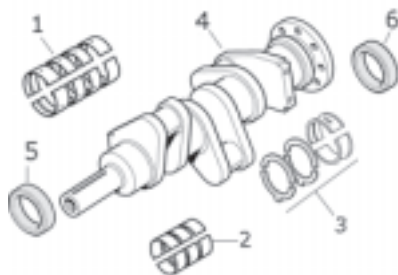
Engine	Liner mm			Piston mm			Additional information
	Cyl.	Bore	Height	Pin	Height	Rings	
TD226-3B 4B 6B	3	105	213	35	102,4	4	Water cooled / Ring Carrier Piston
Models: 304, 307, 308 / LS / A, 309, 310 / LSA, 312, 611, 612, 614, 615LSA, 509, 510, 512, 514, 515C							



Description	Remarks	Replaces	Sparex
1 Piston and Liner Set (per Cyl.)			S.37700
2 Liner		F385200210290	S.37760
3 Piston and Rings		F199201310010	S.37721
4 Ring Set		F199204310020	S.37749
5 Liner Seal		F170200210030	S.38933
Liner Seal		F385200210030	S.38934



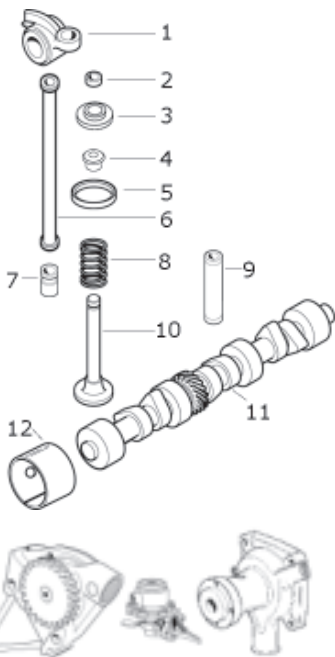
Description	Remarks	Replaces	Sparex
6 Top Gasket Set		order Components	
7 Complete Gasket Set			
8 Rocker Cover Gasket		F385200210171	S.38926
9 Head Gasket		F385202210010	S.38906
10 Sump Gasket	3 Cylinder	F139207210060	S.38916
	4 Cylinder	F150204210060	S.38919
	6 Cylinder	F180200210040	S.38914
11 Timing Cover Gasket		F180200210180	S.38941
12 Timing Cover Gasket		F180200210160	S.38616



Description	Remarks	Replaces	Sparex
1 Main Bearings (1 pair)	Standard	F285200210070	S.37909
	0,010"	F285200210080	S.38516
2 Conrod Bearings (1 pair)	Standard	F285200310140	S.37767
	0,010"	F285200310150	S.38517
3 Thrust Washers (1 pair)	Standard	F385200210190	S.37896
4 Crankshaft			
5 Front Oil Seal		F199200210020	S.38920
6 Rear Oil Seal		X550174902000	S.38940



Description	Remarks	Replaces	Sparex
1 Conrod		F385200310070	
2 Small End Bush	35 mm	F285200310130	S.37858
3 Conrod Bolt		F139207310421	S.37859
4 Conrod Nut			



Description	Remarks	Replaces	Sparex
1 Rocker Arm	Rocker Arm	F385200410020	
	Rocker Arm Block complete	12159631	S.38651
	Rocker Arm Block	F385200410010	S.38652
	Rocker Arm Shaft		
2 Collet		F139207210500	S.37935
3 Valve Retainer		F139207210510	
4 Valve Stem Seal		F284201011030	
5 Inlet Valve Insert		F384200210080	
Exhaust Valve Insert		F385200210120	
6 Push Rod		F180200410040	S.38629
7 Tappet/Cam Follow er		F385200410050	S.38630
8 Inlet Valve Spring		F284201011020	
Exhaust Valve Spring		F284201011010	
9 Inlet Valve Guide		F384200210020	
Exhaust Valve Guide		F384200210030	
10 Inlet Valve	Inlet Valve	F384200210090	S.37924
	Exhaust Valve	F385200210150	
11 Camshaft		F175201310010	
12 Camshaft Bush		F199200410010	
13 Oil Pump		F180200310110	S.38656
14 Fuel Pump		F278201710400	S.14592
15 Water Pump		F382200610011	S.75916

Sparex

Case IH

David Brown

Deutz

Fendt

Fiatagri

Ford

John Deere

M F

Renault

Zetor

Fendt MWM

Engine	Liner mm			Piston mm			Additional information
	Cyl.	Bore	Height	Pin	Height	Rings	
TD226-4,2 6,2 Models: 309LS/A, 310LSA, 614LSA, 615LSA	4	105	214	35	102,4	3	Water cooled / Ring Carrier Piston

Case IH

David Brown

Deutz

Fendt

Fiatagri

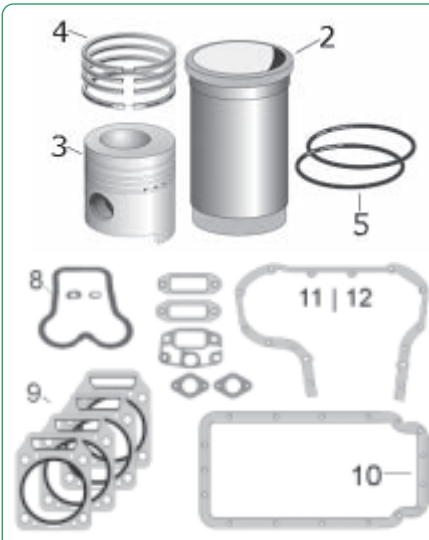
Ford

John Deere

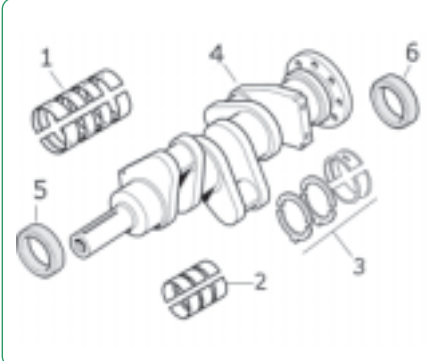
M F

Renault

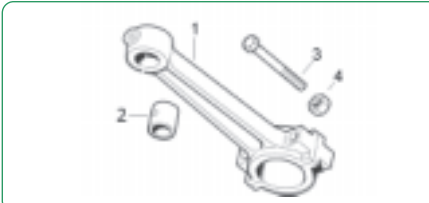
Zetor



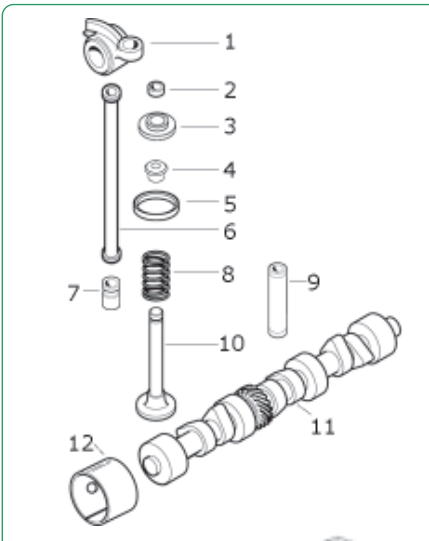
Description	Remarks	Replaces	Sparex
1 Piston and Liner Set (per Cyl.)			S.37714
2 Liner		F183200210140	S.37757
3 Piston and Rings		F383200310030	S.37731
4 Ring Set			S.37749
5 Liner Seal		F170200210030	S.38933
Liner Seal		F385200210030	S.38934
6 Top Gasket Set			S.38877
Complete Gasket Set		X542809100000	
8 Rocker Cover Gasket		F238200210061	S.38925
9 Head Gasket 1,4mm		F138211210040	S.38895
Head Gasket 1,2mm			S.38896
10 Sump Gasket		F150204210060	S.38919
		F180200210040	S.38914
11 Timing Cover Gasket		F180200210180	S.38941
12 Timing Cover Gasket		F180200210160	S.38616



1 Main Bearings (1 pair)	Standard	F285200210070	S.37909
	0,010"	F285200210080	S.38516
2 Conrod Bearings (1 pair)	Standard	F285200310140	S.37767
	0,010"	F285200310150	S.38517
3 Thrust Washers (1 pair)	Standard	F385200210190	S.37896
4 Crankshaft		F310200310010	S.38638
5 Front Oil Seal		F199200210020	S.38920
6 Rear Oil Seal		X550174902000	S.38940



1 Conrod		F285200310121	
2 Small End Bush	35 mm	F285200310130	S.37858
3 Conrod Bolt		F139207310421	S.37859
4 Conrod Nut			



1 Rocker Arm		F138204210010	
Rocker Arm Shaft			
2 Valve Collet - Intake		F139207210500	S.37935
Valve Collet - Exhaust		F285200210211	
3 Valve Retainer		F139207210510	
Rotator		F285200210180	
4 Valve Stem Seal		F139200210520	
5 Inlet Valve Insert		F278203210030	
Exhaust Valve Insert		F184230210080	
6 Push Rod		F180200410040	S.38629
7 Tappet/Cam Follow er		F238200210091	
8 Valve Spring		F139207210180	
9 Inlet Valve Guide		F285200210160	
Exhaust Valve Guide		F139207210230	S.37939
10 Inlet Valve		F285200210230	S.37923
Exhaust Valve		F285200210200	S.37917
11 Camshaft		F238200410010	
12 Camshaft Bush		F120203410020	



13 Oil Pump		F184230310080	S.37950
14 Fuel Pump		F278201710400	S.14592
15 Water Pump		F281200610010	S.63063

Fendt MWM

Engine	Liner mm			Piston mm			Additional information
	Cyl.	Bore	Height	Pin	Height	Rings	
D227- 4,2 6,2 Models: 305LS/A, 600LS/A, 610LS/A	4	100	213	35	113,4	4	

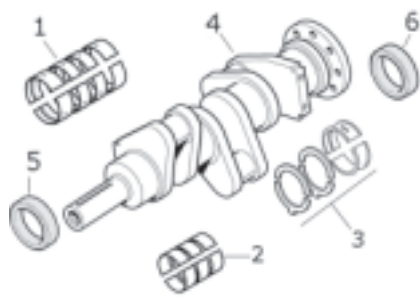
Sparex



Description	Remarks	Replaces	Sparex
1 Piston and Liner Set (per Cyl.)			S.37732
2 Liner		F281202210020	S.37972
3 Piston and Rings		F281202310012	S.37728
4 Ring Set			S.37742
5 Liner Seal		F385200210030	S.38935
6 Top Gasket Set			S.38878
7 Complete Gasket Set			
8 Rocker Cover Gasket		F238200210061	S.38925
9 Head Gasket		F281202210040	S.38897
10 Sump Gasket	4 Cylinder	F150204210060	S.38919
	6 Cylinder	F180200210040	S.38914
11 Timing Cover Gasket		F180200210180	S.38941
12 Timing Cover Gasket		F180200210160	S.38616

Case IH

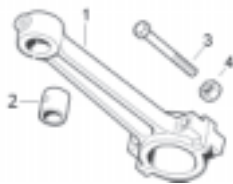
David Brown



1 Main Bearings (1 pair)	Standard	F139207210070	S.37903
	0,010"	F139207210310	S.38504
2 Conrod Bearings (1 pair)	Standard	F139207310670	S.37761
	0,010"	F139207310680	S.38505
3 Thrust Washers (1 pair)	Standard	F139200210080	S.37890
	0,010"	F139200210350	S.38506
4 Crankshaft			
5 Front Oil Seal		F199200210020	S.38920
6 Rear Oil Seal		X550174902000	S.38940

Deutz

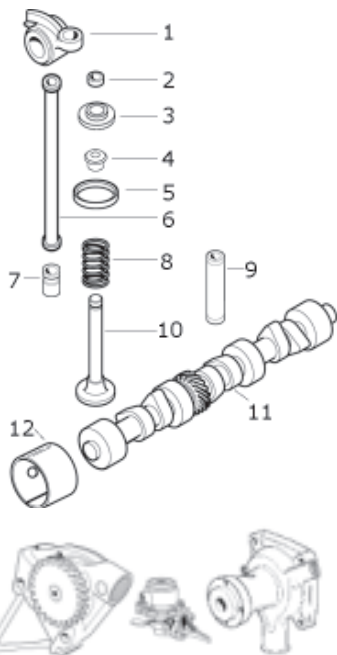
Fendt



1 Conrod			
2 Small End Bush		F285200310130	S.37858
3 Conrod Bolt		F139207310421	S.37859
4 Conrod Nut			

Fiatagri

Ford



1 Rocker Arm		F138204210010	
Rocker Arm Shaft			
2 Collet		F139207210500	S.37935
3 Valve Retainer		F139207210510	
4 Valve Stem Seal		F139200210520	
5 Inlet Valve Insert		F278203210030	
Exhaust Valve Insert		F184230210080	
6 Push Rod		F180200410040	
7 Tappet/Cam Follow er		F180200410040	
8 Valve Spring		F139207210180	
9 Inlet/Exhaust Valve Guide		F139207210180	S.37939
10 Inlet Valve		F183200210080	S.37921
Exhaust Valve		F183200210070	S.37931
11 Camshaft			
12 Camshaft Bush			
13 Oil Pump		F184230310080	S.37950
14 Fuel Pump		F278201710400	S.14592
15 Water Pump		F281200610010	S.63063

John Deere

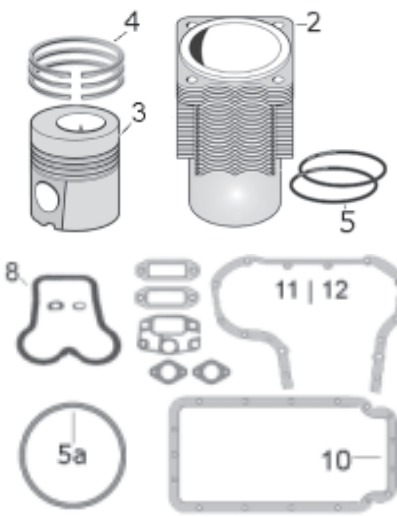
M F

Renault

Zetor

Fendt MWM

Engine	Liner mm			Piston mm			Additional information
	Cyl.	Bore	Height	Pin	Height	Rings	
D308-3	3	95	200	32	113	4	Air cooled engine
Models: F231GT							



Description	Remarks	Replaces	Sparex
1 Piston and Liner Set (per Cyl.)			S.37709
2 Liner		F230200310050	S.37754
3 Piston and Rings		F231201310011	S.37727
4 Ring Set			S.37740
5 Liner Seal		X548987466000	S.38932
5a Shim Washer	0,10 mm	F230200310060	S.37962
	0,20 mm	F230200310070	S.37961
6 Top Gasket Set			S.38873
7 Complete Gasket Set			
8 Rocker Cover Gasket		F238200210061	S.38925
9 Head Gasket	to 16773	F230200210210	S.38890
10 Sump Gasket		F139207210060	S.38916
11 Timing Cover Gasket		F139207210090	S.38502
12 Timing Cover Gasket		F139207210110	S.38503

Case IH

David Brown

Deutz

Fendt

Fiatagri

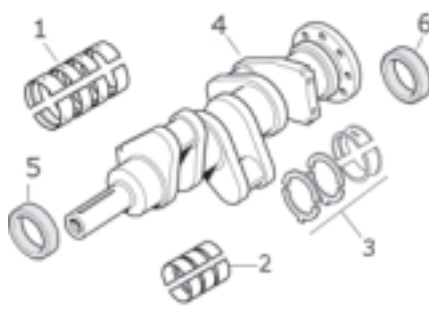
Ford

John Deere

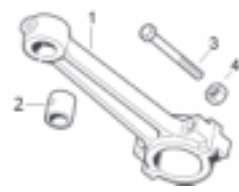
M F

Renault

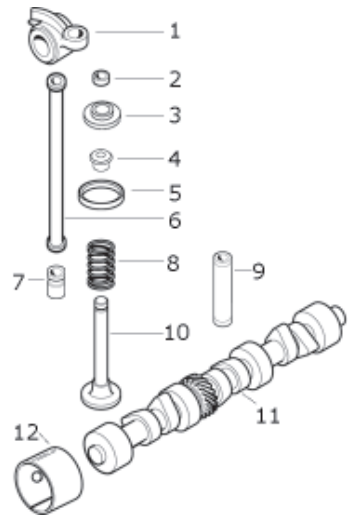
Zetor



1 Main Bearings (1 pair)	Standard	F139207210070	S.37903
	0,010"	F139207210310	S.38504
2 Conrod Bearings (1 pair)	Standard	F139207310670	S.37761
	0,010"	F139207310680	S.38505
3 Thrust Washers (1 pair)	Standard	F139200210080	S.37890
	0,010"	F139200210350	S.38506
4 Crankshaft			
5 Front Oil Seal		F199200210020	S.38920
6 Rear Oil Seal		F139207210100	S.38937



1 Conrod		F139207310080	
2 Small End Bush		F139200310140	S.37857
3 Conrod Bolt		F139207310421	S.37859
4 Conrod Nut			



1 Rocker Arm		F138204210010	
2 Rocker Arm Shaft			
3 Collet		F139207210500	S.37935
4 Valve Retainer		F139207210510	
5 Valve Stem Seal		F139200210520	
6 Inlet Valve Insert		F184230210080	
6 Exhaust Valve Insert		F250200210261	
7 Push Rod		F230200210220	
8 Tappet/Cam Follow er		F139207210220	
9 Valve Spring		F139207210180	
9 Inlet/Exhaust Valve Guide		F139207210230	S.37939
10 Inlet Valve		F139207210520	S.37920
10 Exhaust Valve		F139207210490	S.37930
11 Camshaft			
12 Camshaft Bush			



13 Oil Pump		F231201310210	S.37951
14 Fuel Pump		F150204710012	S.14591
15 Water Pump			

**Fendt
MWM**

Engine	Liner mm			Piston mm			Additional information
	Cyl.	Bore	Height	Pin	Height	Rings	
D322-2	2	98	254,7	35	140	5	Air cooled engine

Models: Farmer 12

Sparex

Case IH

David Brown

Deutz

Fendt

Fiatagri

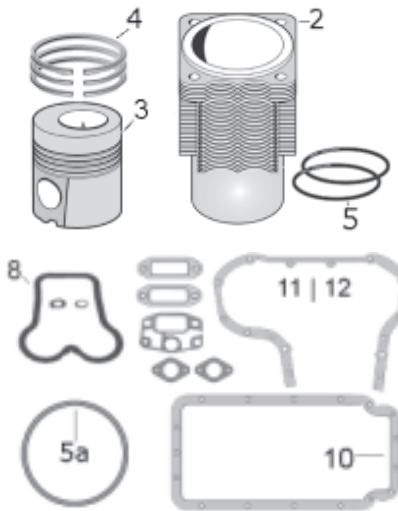
Ford

John Deere

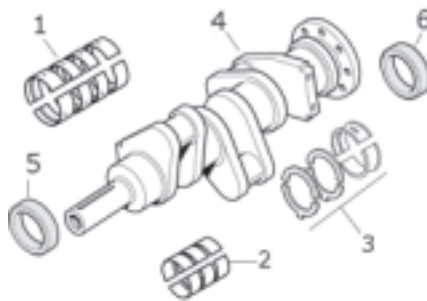
M F

Renault

Zetor



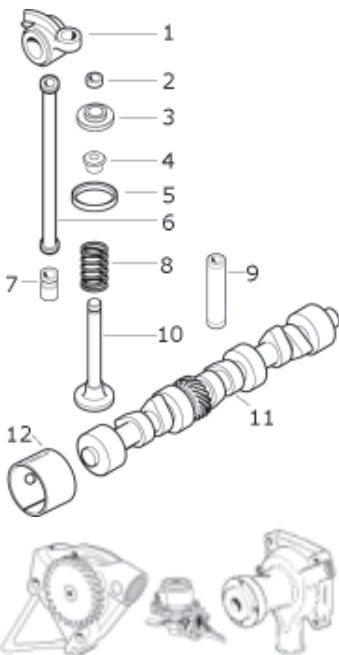
Description	Remarks	Replaces	Sparex
1 Piston and Liner Set (per Cyl.)			S.37703
2 Liner		F112200210180	S.37753
3 Piston and Rings		F112200041550	S.37723
4 Ring Set			S.37744
5 Liner Seal		X548965286000	S.38930
5a Shim Washer		F024200210580	S.38887
6 Top Gasket Set			S.38873
7 Complete Gasket Set			
8 Rocker Cover Gasket			
9 Head Gasket			
10 Sump Gasket			
11 Timing Cover Gasket			
12 Timing Cover Gasket			



1 Main Bearings (1 pair)	Standard 0,010"
2 Conrod Bearings (1 pair)	Standard 0,010"
3 Thrust Washers (1 pair)	Standard 0,010"
4 Crankshaft	
5 Front Oil Seal	
6 Rear Oil Seal	



1 Conrod
2 Small End Bush
3 Conrod Bolt
4 Conrod Nut



1 Rocker Arm
2 Rocker Arm Shaft
3 Collet
4 Valve Retainer
5 Valve Stem Seal
6 Inlet Valve Insert
6 Exhaust Valve Insert
7 Push Rod
8 Tappet/Cam Follow er
9 Inlet Valve Spring
9 Exhaust Valve Spring
10 Inlet/Exhaust Valve Guide
11 Inlet Valve
11 Exhaust Valve
12 Camshaft
12 Camshaft Bush
13 Oil Pump
14 Fuel Pump
15 Water Pump

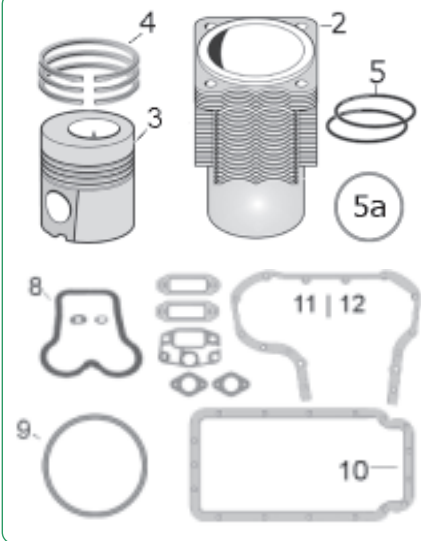
Fendt MWM

Engine	Liner mm			Piston mm			Additional information
	Cyl.	Bore	Height	Pin	Height	Rings	
D325	2 3	95	212	32	112,8	4	Air cooled engine

Models: Farmer 1D, 1E, 102S/SA, F231GT

Case IH

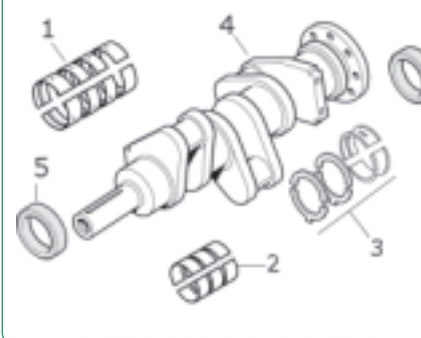
David Brown



Description	Remarks	Replaces	Sparex
1 Piston and Liner Set (per Cyl.)			S.37704
2 Liner			S.37759
3 Piston and Rings		F231202310010	S.37724
4 Ring Set			S.37740
5 Liner Seal		X548987466000	S.38932
5a Shim Washer	0,10 mm	F230200310060	S.37962
	0,20 mm	F230200310070	S.37961
6 Top Gasket Set			S.38873
7 Complete Gasket Set	2 Cylinder 3 Cylinder		
8 Rocker Cover Gasket		F238200210061	S.38925
9 Head Gasket		F230200210210	S.38890
10 Sump Gasket	2 Cylinder 3 Cylinder	F139207210060	S.38916
11 Timing Cover Gasket		F139207210090	S.38502
12 Timing Cover Gasket		F139207210110	S.38503

Deutz

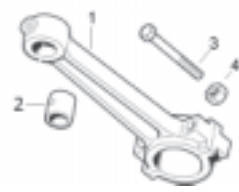
Fendt



1 Main Bearings (1 pair)	Standard 0,010"	F139207210070 F139207210310	S.37903 S.38504
2 Conrod Bearings (1 pair)	Standard 0,010"	F139207310670 F139207310680	S.37761 S.38505
3 Thrust Washers (1 pair)	Standard 0,010"	F139200210080 F139200210350	S.37890 S.38506
4 Crankshaft	2 Cylinder 3 Cylinder		
5 Front Oil Seal		F199200210020	S.38920
6 Rear Oil Seal		F139207210100	S.38937

Fiatagri

Ford

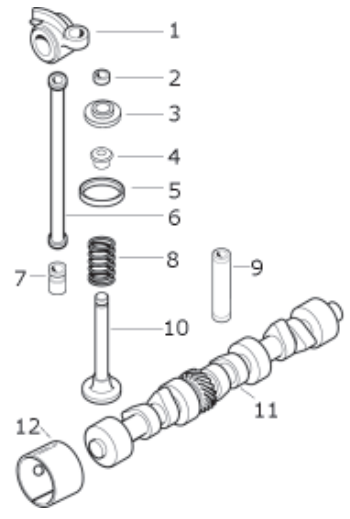


1 Conrod		F139207310080	
2 Small End Bush		F139200310140	S.37857
3 Conrod Bolt		F139207310421	S.37859
4 Conrod Nut			

John Deere

M F

Renault



1 Rocker Arm		F138204210010	
Rocker Arm Shaft			
2 Collet		F139207210500	S.37935
3 Valve Retainer		F139207210510	
4 Valve Stem Seal		F139200210520	
5 Inlet Valve Insert		F184230210080	
Exhaust Valve Insert		F250200210261	
6 Push Rod		F230200210220	
7 Tappet/Cam Follow er		F139207210220	
8 Valve Spring		F139207210180	
9 Inlet/Exhaust Valve Guide		F139207210230	S.37939
10 Inlet Valve		F139207210520	S.37920
Exhaust Valve		F139207210490	S.37930
11 Camshaft	2 Cylinder 3 Cylinder		
12 Camshaft Bush			

Zetor



13 Oil Pump		F231201310210	S.37951
14 Fuel Pump			
15 Water Pump			

**Fendt
MWM**

Engine

Liner mm

Piston mm

Cyl.	Liner mm		Piston mm			Rings	Additional information
	Bore	Height	Pin	Height	Height		
D-327-3	3	100	212	32 35	112,8 113,4	4	Air cooled engine

Models: F231GT

Sparex

Case IH

David Brown

Deutz

Fendt

Fiatagri

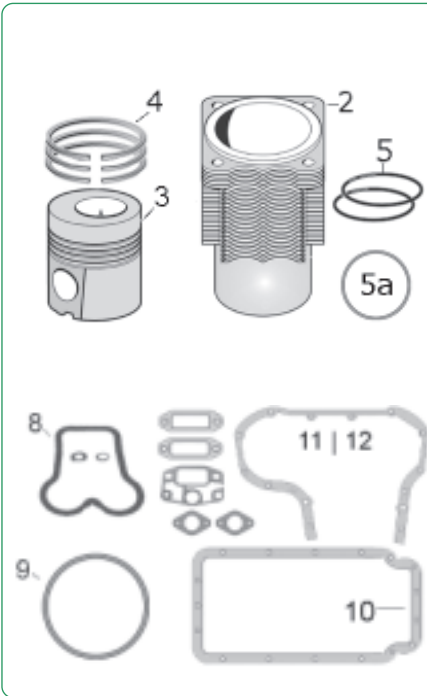
Ford

John Deere

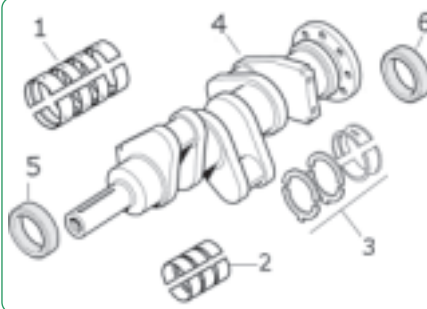
M F

Renault

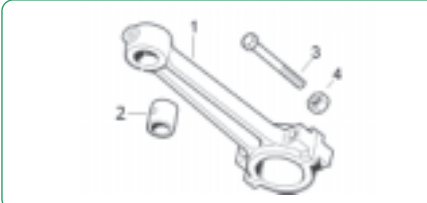
Zetor



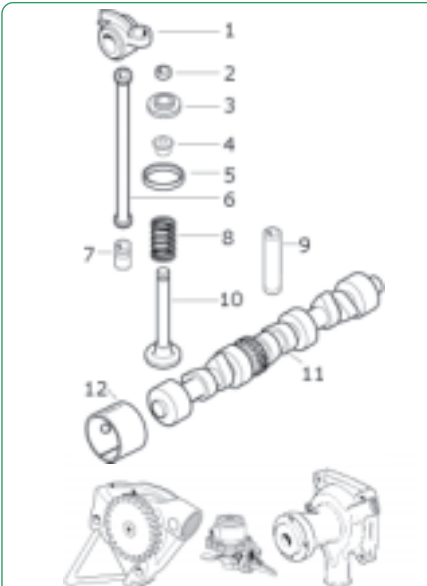
Description	Remarks	Replaces	Sparex
1 Piston and Liner Set (per Cyl.)			S.37702
2 Liner	>231/16773	F120203210110	S.37758
3 Piston and Rings	Piston Pin		S.37733
4 Ring Set	32 mm		S.37742
5 Liner Seal		X548987466000	S.38932
5a Shim Washer	0,10 mm	F230200310060	S.37962
	0,20 mm	F230200310070	S.37961
1 Piston and Liner Set (per Cyl.)			S.37713
2 Liner	<231/16774	F231202310030	S.37758
3 Piston and Rings	Piston Pin	F231202310090	S.37728
4 Ring Set	35 mm		S.37742
5 Liner Seal		F231202310060	S.38515
5a Shim Washer	0,10 mm	F231202310040	S.38936
	0,20 mm	F231202310050	S.38938
6 Top Gasket Set (per Cyl.)			S.38875
7 Complete Gasket Set		X542807900000	S.38501
8 Rocker Cover Gasket		F238200210061	S.38925
9 Head Gasket		F230200210210	S.38890
10 Sump Gasket			
11 Timing Cover Gasket		F139207210090	S.38502
12 Timing Cover Gasket		F139207210110	S.38503



1 Main Bearings (1 pair)	Standard	F139207210070	S.37903
	0,010"	F139207210310	S.38504
2 Conrod Bearings (1 pair)	Standard	F139207310670	S.37761
	0,010"	F139207310680	S.38505
3 Thrust Washers (1 pair)	Standard	F139200210080	S.37890
	0,010"	F139200210350	S.38506
4 Crankshaft			
5 Front Oil Seal		F199200210020	S.38920
6 Rear Oil Seal		F139207210100	S.38937



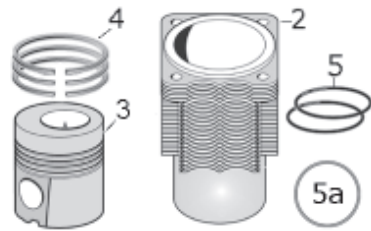
1 Conrod		F139207310080	
2 Small End Bush	32 mm	F139200310140	S.37857
3 Conrod Bolt		F139207310421	S.37859
4 Conrod Nut			



1 Rocker Arm		F138204210010	
Rocker Arm Shaft			
2 Collet		F139207210500	S.37935
3 Valve Retainer		F139207210510	
4 Valve Stem Seal		F139200210520	
5 Inlet Valve Insert		F184230210080	
Exhaust Valve Insert		F250200210261	
6 Push Rod		F230200210220	
7 Tappet/Cam Follow er		F139207210220	
8 Valve Spring		F139207210180	
9 Inlet/Exhaust Valve Guide		F139207210230	S.37939
Inlet Valve		F139207210520	S.37920
Exhaust Valve		F139207210490	S.37930
11 Camshaft			
12 Camshaft Bush			
13 Oil Pump		F231201310210	S.37951
14 Fuel Pump			
15 Water Pump			

Fendt MWM

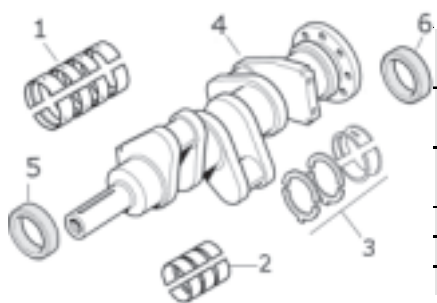
Engine	Liner mm			Piston mm			Additional information
	Cyl.	Bore	Height	Pin	Height	Rings	
D925L3	3	95	212	32	112,8	4	Air cooled engine
Models: F250GT							



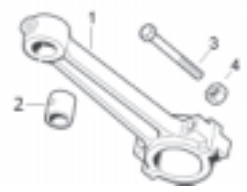
Description	Remarks	Replaces	Sparex
1 Piston and Liner Set (per Cyl.)			S.37704
2 Liner		F120203210110	S.37759
3 Piston and Rings		F231202310010	S.37724
4 Ring Set			S.37740
5 Liner Seal		X548987466000	S.38932
5a Shim Washer	0,10 mm	F230200310060	S.37962
	0,20 mm	F230200310070	S.37961



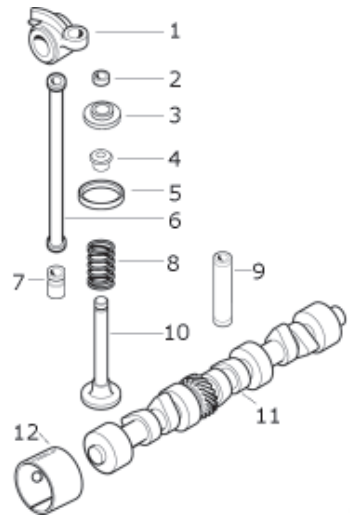
6 Top Gasket Set			S.38873
7 Complete Gasket Set		X542807900000	S.38501
8 Rocker Cover Gasket		F238200210061	S.38925
9 Head Gasket	0,60 mm	F230200210210	S.38890
10 Sump Gasket			
11 Timing Cover Gasket		F139207210090	S.38502
12 Timing Cover Gasket		F139207210110	S.38503



1 Main Bearings (1 pair)	Standard	F139207210070	S.37903
	0,010"	F139207210310	S.38504
2 Conrod Bearings (1 pair)	Standard	F139207310670	S.37761
	0,010"	F139207310680	S.38505
3 Thrust Washers (1 pair)	Standard	F139200210080	S.37890
	0,010"	F139200210350	S.38506
4 Crankshaft			
5 Front Oil Seal		F199200210020	S.38920
6 Rear Oil Seal		F139207210100	S.38937



1 Conrod		F139207310080	
2 Small End Bush		F139200310140	S.37857
3 Conrod Bolt		F139207310421	S.37859
4 Conrod Nut			



1 Rocker Arm		F138204210010	
2 Rocker Arm Shaft			
3 Collet		F139207210500	S.37935
4 Valve Retainer		F139207210510	
5 Valve Stem Seal		F139200210520	
6 Inlet Valve Insert		F285200210220	
7 Exhaust Valve Insert		F184230210080	
8 Push Rod		F230200210220	
9 Tappet/Cam Follow er		F139207210220	
10 Valve Spring		F139207210180	
11 Inlet/Exhaust Valve Guide		F139207210230	S.37939
12 Inlet Valve		F139207210520	S.37920
Exhaust Valve		F139207210490	S.37930
11 Camshaft			
12 Camshaft Bush			



13 Oil Pump		F250200310170	
14 Fuel Pump			
15 Water Pump			

Fendt KHD-Engine

Engine	Liner mm			Piston mm			Additional information
	Cyl.	Bore	Height	Pin	Height	Rings	
BF4L913H	4	102mm	222.3	35mm	123,6	3	Ring Carrier Piston
Models: F380GTA							

Sparex

Case IH

David Brown

Deutz

Fendt

Fiatagri

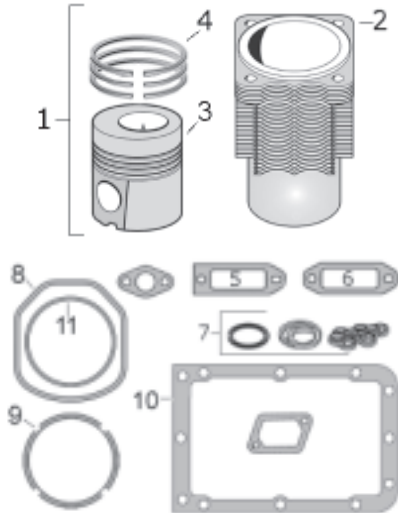
Ford

John Deere

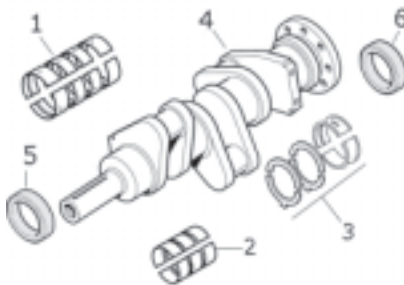
M F

Renault

Zetor



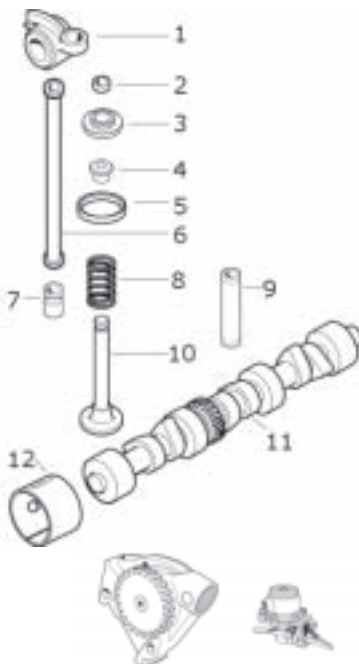
Description	Remarks	Replaces	Sparex
1 Piston and Liner Set (per Cyl.)			S.38657
2 Liner		F100004156586	S.37815
3 Piston and Rings		F149200310010	S.38658
4 Ring Set		F149200310020	S.38659
11 Shim Washer	0,20 mm	F100002137256	S.69971
	0,50 mm	F100002232963	S.69972
- Head Gasket Set (5 6 7 8 11) per Cyl.			
Complete Gasket Set		F149200210050	S.69991
8 Rocker Cover Gasket		F100003371692	S.31119
9 Head Gasket		F100004157654	S.69941
10 Sump Gasket		F100003362574	S.69978



1 Main Bearings (1 pair)	Standard	F100003362379	S.69950
	0,010"	F148200310040	S.69951
2 Conrod Bearings (1 pair)	Standard	F184200310030	S.69955
	0,010"	F148200310060	S.69956
3 Thrust Washers (1 set)	Standard	F148200210010	S.69953
	0,010"	F100002230182	S.312011
4 Crankshaft		F148200310020	
5 Front Oil Seal		F148200210090	S.38703
6 Rear Oil Seal		F148200210030	S.69980



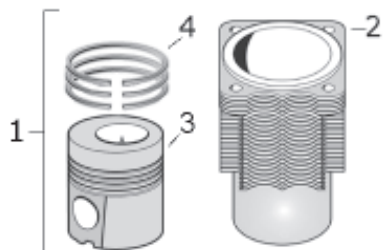
1 Conrod		F148200310080	S.37884
2 Small End Bush		F100003371612	S.312003
3 Conrod Bolt		F100004157075	S.37887
4 Conrod Nut			



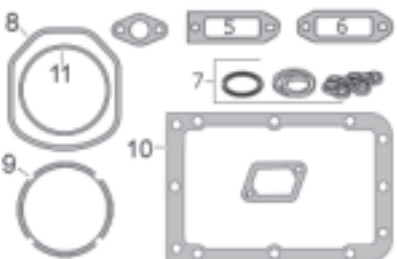
1	Rocker Arm	F390200410040	
	Rocker Arm Shaft		
2	Collet	F205200210020	S.37912
3	Valve Retainer	F100003371748	S.38660
	Rotator	F100002131029	
4	Valve Stem Seal	F149200210080	
	Inlet Valve Insert	F149200210100	
5	Exhaust Valve Insert	F100002137306	S.69965
	Push Rod	F100004152877	S.312018
7	Tappet/Cam Follower	F100003371885	S.312017
8	Inlet Valve Spring	F100003369305	S.312016
	Exhaust Valve Spring	F100003369305	S.312016
9	Inlet/Exhaust Valve Guide	F148200210250	
	Inlet Valve	F149200210070	S.38661
10	Exhaust Valve	F149200210200	
	Camshaft		
12	Camshaft Bush		
13	Oil Pump	F149200510020	S.38663
14	Fuel Pump	F208200710030	S.36017
15	Water Pump		

**Fendt
KHD-Engine**

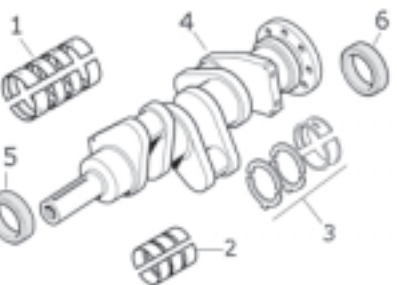
Engine	Liner mm			Piston mm			Additional information
	Cyl.	Bore	Height	Pin	Height	Rings	
FL913 (H)	3 4 6	102	222,3	35	123,6	3	
Models: 203V/V, 203P/P, F360GT/F/H, F360/365							



Description	Remarks	Replaces	Sparex
Standard-Version			
1 Piston and Liner Set (per Cyl.)		F100004157756	S.37783
2 Liner	35mm Pin	F100074152191	S.58897
3 Piston and Rings	3 Rings	F100004152179	S.58899
4 Ring Set (5 rings)			S.58895
Version with Oil cooled and Ring Carrier Piston			
1 Piston and Liner Set (per Cyl.)			S.37772
2 Liner	35mm Pin		S.37815
3 Piston and Rings	3 Rings		S.37797
4 Ring Set (5 rings)			S.58895



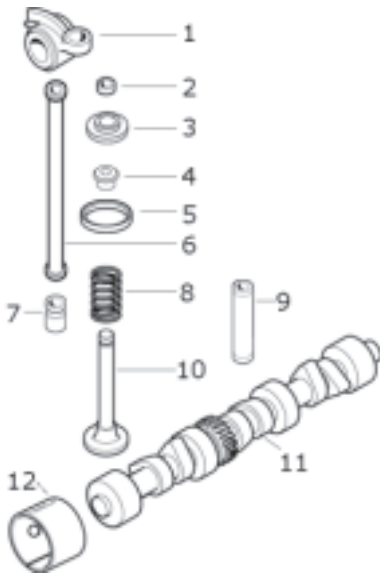
- Head Gasket Set (5 6 7 8 11)	per Cyl.	KHD 02910048	S.31118
Complete Gasket Set	3 Cylinder	F206200210050	S.312034
	4 Cylinder	F208200210070	S.69991
	6 Cylinder	F390200210030	S.38672
8 Rocker Cover Gasket	Per Cylinder	F100003371692	S.31119
9 Head Gasket		F100004157654	S.69941
10 Sump Gasket	3 Cylinder	F100003362573	S.38962
	4 Cylinder	F100003362574	S.69978
	6 Cylinder		
11 Shim Washer	0,2 mm	F100002137256	S.69971
	0,5 mm	F100002232963	S.69972



1 Main Bearings (1 pair)	Standard	F100003362380	S.69950
	0,025mm	F100003336381	S.69951
2 Conrod Bearings (1 pair)	Standard	F100002137750	S.69955
	0,025mm	F100002137754	S.69956
3 Thrust Washers (1 set)	Standard	F100002230181	S.69953
	0,025mm	F100002230182	S.312011
4 Crankshaft (3, 4, 6 Cyl.)			
5 Front Oil Seal		F100004150782	S.69981
6 Rear Oil Seal		F100004150783	S.69980



1 Conrod	New Type	F148200310080	S.37884
2 Small End Bush	35mm	F100003371612	S.69960
3 Conrod Bolt		F100004157075	S.37887



Description	Remarks	Replaces	Sparex
1 Rocker Arm		F100002236736	S.312019
Rocker Arm Shaft			
2 Collet	1 Groove	F100001168817	S.37833
	3 Grooves	F205200210020	S.37912
3 Top Retainer		F100003371748	S.38660
4 Valve Stem Seal			
5 Inlet Valve Insert		F100002137303	S.69964
Exhaust Valve Insert		F100002137306	S.69965
6 Push Rod		F100004152877	S.312018
6 Push Rod Tube			S.315037
7 Tappet/Cam Follow er		F100003371885	S.312017
8 Inlet Valve Spring		F100003369305	S.312016
Exhaust Valve Spring		F100003369305	S.312016
9 Inlet/Exhaust Valve Guide		F100002232528	S.69963
10 Inlet Valve		F100002137301	S.69961
Exhaust Valve		F100002237221	S.69962
11 Camshaft 3, 4, 6 Cyl.			
12 Camshaft Bush			



13 Oil Pump	2 - 4 Cyl.	F100004157676	S.69989
	6 Cyl.	F395200510010	S.37953
14 Fuel Pump	2 Holes		S.36016
Fuel Pump	3 Holes		S.36017

Case IH

David Brown

Deutz

Fendt

Fiatagri

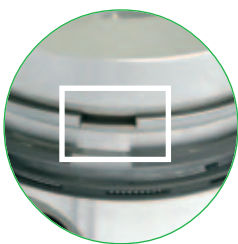
Ford

John Deere

M F

Renault

Zetor



Ring Carrier Piston

Pistons with a particularly high compression have a ring carrier. This is a cast-in groove for the first piston ring made from cast iron, which reduces the expansion and Temperature.

S.31118

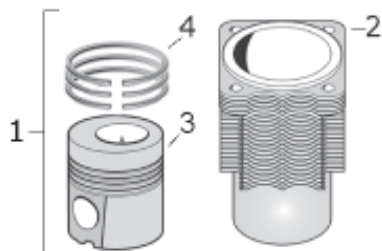


Gasket Set per cylinder

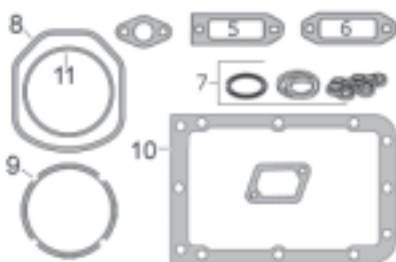
Engine (KHD)	Replaces	Sparex
FL912 (B)		S.31118

**Fendt
KHD-Engine**

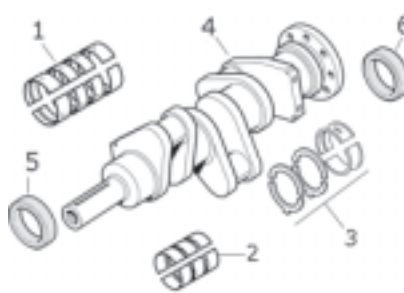
Engine	Liner mm			Piston mm			Additional information
	Cyl.	Bore	Height	Pin	Height	Rings	
FL912	3 4 6	100	222,3	35	123,6	4	
Models: 200S/SA/V/VA, 201S/SA, 203V/VA/P/PA, 240/250S, 250LE/SA/K/KA/V/VA, 260S/SA/P/PA/V/VA							



Description	Remarks	Replaces	Sparex
1 Piston and Liner Set (per Cyl.)			S.37777
2 Liner	35mm Pin	F100002231924	S.69940
3 Piston (4 Ring)	4 Rings	F100002136952	S.69942
4 Ring Set (4 rings)		F100002233074	S.69944
3 Piston (3 Ring)		F100003152177	S.69943
4 Ring Set (3 rings)		F100004152185	S.58607



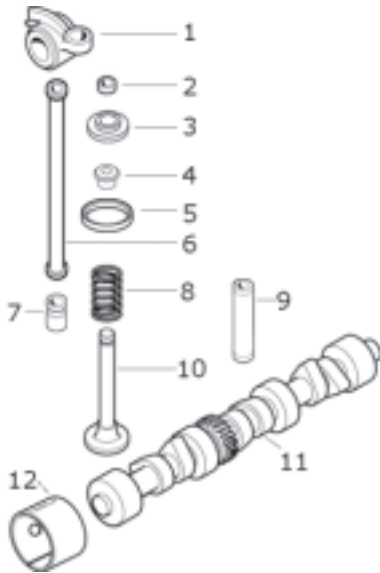
- Head Gasket Set (5 6 7 8 11)	per Cyl.	KHD 02910048	S.31118
Complete Gasket Set	3 Cylinder	F100003910182	S.69990
	4 Cylinder	F100002710183	S.312033
	6 Cylinder		S.69992
8 Rocker Cover Gasket	Per Cylinder		S.31119
9 Head Gasket			S.69941
10 Sump Gasket	3 Cylinder	F100003362573	S.38962
	4 Cylinder	F100003362574	S.69978
	6 Cylinder		S.38965
11 Shim Washer	0,2 mm		S.69971
	0,5 mm		S.69972



1 Main Bearings (1 pair)	Standard	F100003362380	S.69950
	0,025"	F100003336381	S.69951
2 Conrod Bearings (1 pair)	Standard	F100002137750	S.69955
	0,025"	F100002137754	S.69956
3 Thrust Washers (1 set)	Standard	F100002230181	S.69953
	0,025"	F100002230182	S.312011
4 Crankshaft	3 Cylinder		
	4 Cylinder		
	6 Cylinder		
5 Front Oil Seal		F100004150782	S.69981
6 Rear Oil Seal		F100004150783	S.69980



1 Conrod	Old Type	F100004150455	S.37888
1 Conrod	New Type	F148200310080	S.37884
2 Small End Bush	35mm	F100003371612	S.69960
3 Conrod Bolt		F100002133871	S.37886



Description	Remarks	Replaces	Sparex
1 Rocker Arm Rocker Arm Shaft		F100002236736	S.312019
2 Collet	1 Groove	F100001168817	S.37833
	3 Grooves	F205200210020	S.37912
3 Top Retainer Bottom Retainer		F100003371748	S.38660
4 Valve Stem Seal		F100002137096	S.312024
5 Inlet Valve Insert Exhaust Valve Insert		F100002137303	S.69964
6 Push Rod		F100004152877	S.312018
6 Push Rod Tube		F100003371888	S.315037
7 Tappet/Cam Follow er		F100003371885	S.312017
8 Inlet Valve Spring Exhaust Valve Spring		F100003369305	S.312016
9 Inlet/Exhaust Valve Guide		F100002232528	S.69963
10 Inlet Valve Exhaust Valve		F100002137301	S.69961
		F100002237221	S.69962
11 Camshaft	3 Cylinder		
	4 Cylinder		
	6 Cylinder		
12 Camshaft Bush			



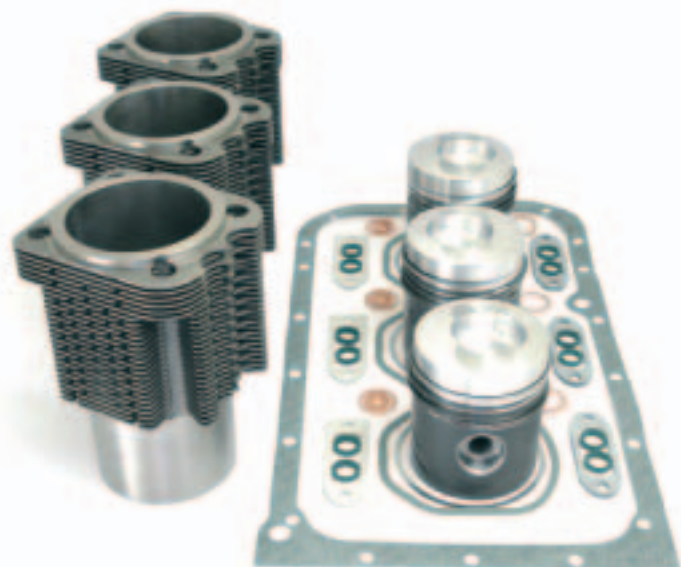
13 Oil Pump	2 - 4 Cyl.	F100004157676	S.69989
	6 Cyl.	F395200510010	S.37953
14 Fuel Pump	2- Holes		S.36016
15 Fuel Pump	3- Holes		S.36017

S.31118



Gasket Set per cylinder

Engine (KHD)	Replaces	Sparex
FL912 (B)		S.31118



Case IH

David Brown

Deutz

Fendt

Fiatagri

Ford

John Deere

M F

Renault

Zetor

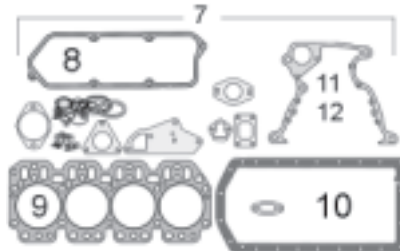
Fendt KHD-Engine

Engine	Liner mm			Piston mm			Additional information
	Cyl.	Bore	Height	Pin	Height	Rings	
BFM1012E/C	4	94	196	34	98	3	

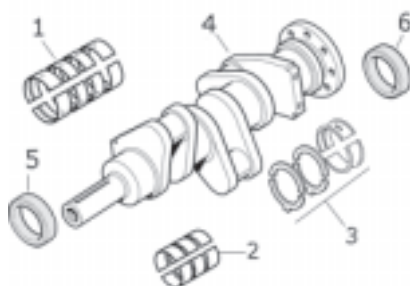
Models: Farmer 307, 308, 309



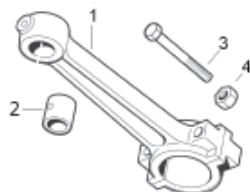
Description	Remarks	Replaces	Sparex
1 Piston and Liner Set (per Cyl.)			S.37788
2 Liner			S.37832
3 Piston and Rings		F119200310010	S.37796
4 Ring Set		F119200310030	S.37802



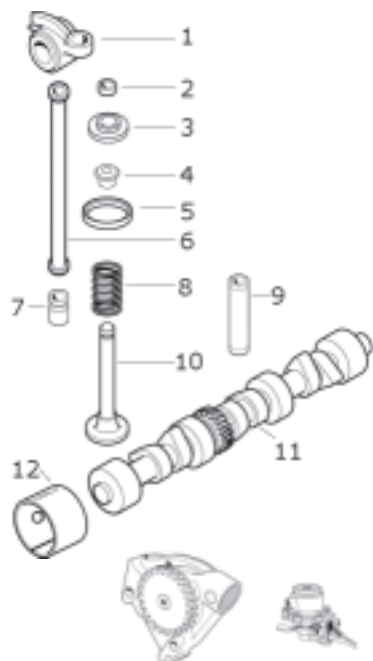
6 Top Gasket Set			
7 Complete Gasket Set		F119200210290	S.38520
8 Rocker Cover Gasket		F119200210380	S.38521
Head Gasket 1,54mm		F119200210950	S.38522
9 Head Gasket 1,64mm		F119200210580	S.38523
Head Gasket 1,74mm		F119200211050	S.38524
10 Sump Gasket		F119200510020	S.38525
11 Timing Cover Gasket			
12 Timing Cover Gasket			



1 Main Bearings (1 set)	Standard	F119200310100	S.38526
	0,010"	F119200310120	S.38527
2 Conrod Bearings (1 set)	Standard	F119200310070	S.38528
Conrod Bearings (1 set)	0,25	F119200310080	S.38529
3 Thrust Washers (1 pair)	Standard	F119200310110	S.38530
4 Crankshaft			
5 Front Oil Seal		F716201210400	S.38532
6 Rear Oil Seal		F119200210360	S.38533



1 Conrod		F119200310040	
2 Small End Bush		F119200310050	S.38677
3 Conrod Bolt		F119200310060	
4 Conrod Nut			

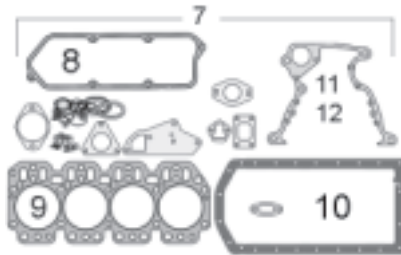


1 Rocker Arm		F119200410040	
Rocker Arm Shaft			
2 Collet		F205200210020	S.37912
3 Valve Retainer		F119200210490	
4 Valve Stem Seal		F119200210500	S.38696
5 Inlet Valve Insert		F119200210520	
Exhaust Valve Insert		F119200210550	
6 Push Rod		F119200410070	
7 Tappet/Cam Follow er		F119200410110	
8 Inlet Valve Spring		F100003369305	S.312016
Intake Valve Spring		F100003369305	S.312016
9 Inlet/Exhaust Valve Guide		F119200210510	
10 Inlet Valve		F119200210530	S.38697
Exhaust Valve		F119200210540	S.38698
Screw		F100003365861	
Nut		F119200410050	
11 Camshaft			
12 Camshaft Bush			
13 Oil Pump			
14 Fuel Pump		F119200710710	
15 Water Pump		F119200610060	

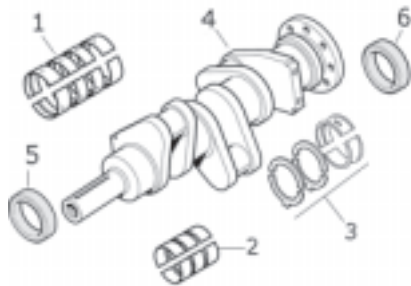
Fendt KHD-Engine

Engine	Liner mm			Piston mm			Additional information
	Cyl.	Bore	Height	Pin	Height	Rings	
BFM2013	4 16						

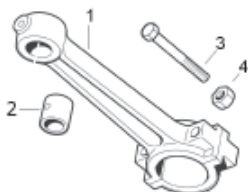
Models: Farmer 409, 410, 411, Favorit 711, 712, 714, 716



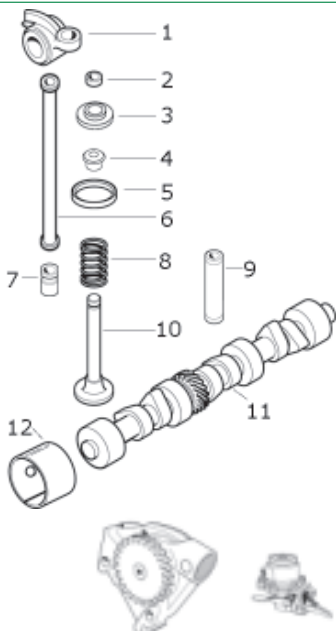
Description	Remarks	Replaces	Sparex
1 Piston and Liner Set (per Cyl.)			S.38534
2 Liner		F716201210040	S.38535
3 Piston and Rings		F716201310010	S.38536
4 Ring Set		F716201310020	S.38537
6+7 Complete Gasket Set 4 Cyl.	>56067		
	56068>	F412201210020	S.38539
8 Complete Gasket Set 4 Cyl.	>55524	F716201210480	S.38566
	55525>	F716201210520	S.38567
9 Rocker Cover Gasket 4 Cyl.	>56067	F411201210110	
	56068>	F411201210170	
10 Rocker Cover Gasket 6 Cyl.	>55524	F716200210010	
	55525<	F712201210020	
9 Head Gasket 4 Cyl.	1,20 mm	F411201210230	
	1,10 mm	F411201210200	
	1,30 mm	F411201210240	
	1,20 mm	F716201210690	
9 Head Gasket 6 Cyl.	1,10 mm	F716201210680	
	1,30 mm	F716201210700	
	4 Cyl.		
10 Sump Gasket	6 Cyl.		



1 Main Bearings (1 pair)	Standard	F716201310060	
	0,010"	F716201310090	
2 Conrod Bearings (1 pair)	Standard	F716201310080	
	0,010"	F716201310110	
3 Thrust Washers (1 pair)	Standard	F716201310070	
	0,010"	F716201310100	
4 Crankshaft	4 Cyl.		
	6 Cyl.		
5 Front Oil Seal		F716201210400	S.38532
6 Rear Oil Seal		F119200210360	S.38533



1 Conrod	> 688910	F716201310190	
2 Small End Bush			
3 Conrod Bolt		F119200310060	
4 Conrod Nut			



1 Rocker Arm		F716201410040	
Rocker Arm Shaft			
2 Collet		F205200210020	S.37912
3 Valve Retainer		F716201210260	
4 Valve Stem Seal			
5 Inlet Valve Insert		F716201210300	
Exhaust Valve Insert		F716201210330	
6 Push Rod Intake		F716201410120	
Push Rod Exhaust		F716201410130	
7 Tappet/Cam Follow er		F716201410110	
8 Inlet Valve Spring		F716201210250	
Intake Valve Spring		F716201210270	
9 Inlet Valve Guide		F716201210290	
Exhaust Valve Guide		F716201210280	
11 Inlet Valve		F716201210310	
Exhaust Valve		F716201210320	
13 Oil Pump			
14 Fuel Pump			
15 Water Pump			

Sparex

Case IH

David Brown

Deutz

Fendt

Fiatagri

Ford

John Deere

M F

Renault

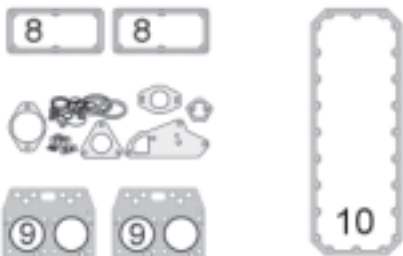
Zetor

**Fendt
MAN**

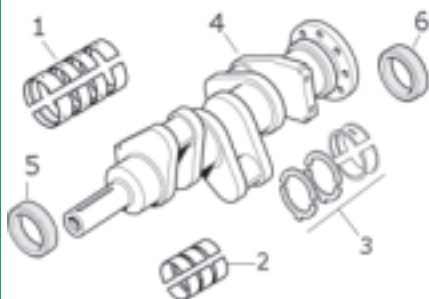
Engine	Liner mm			Piston mm			Additional information
	Cyl.	Bore	Height	Pin	Height	Rings	
DO824LUE 521 22 23 Models: Xylon 520, 522, 524	4	108	217	40	113	3	Ring Carrier Piston



Description	Remarks	Replaces	Sparex
1 Piston and Liner Set (per Cyl.)			S.37715
2 Liner		F926200210040	S.37716
Bush		F926202210420	Anfrage
3 Piston and Rings		F824200310010	S.37717
4 Ring Set			S.37718



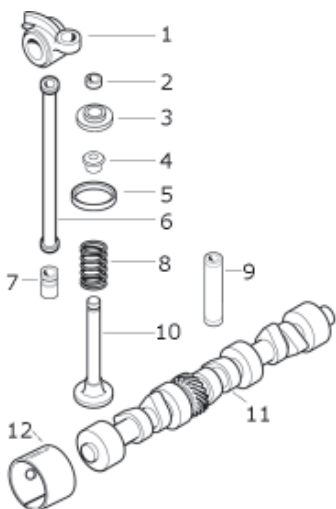
6 Top Gasket Set		F824200211010	S.38960
6+7 Complete Gasket Set		F524200210180	
8 Rocker Cover Gasket		F926202210010	S.38579
9 Head Gasket		F524200210160	S.38580
10 Sump Gasket			
11 Timing Cover Gasket		F824200210210	
12 Timing Cover Gasket			



1+3 Main Bearings (1 set)	Standard	F824200210280	S.38582
	0,010"	F824201310010	S.38583
2 Conrod Bearings (1 pair)	Standard	F824200310030	S.38584
	0,010"	F824200310040	S.38585
3 Thrust Washers (1 pair)			
4 Crankshaft		F524200310010	
5 Front Oil Seal		F824200210560	
6 Rear Oil Seal		F824200210180	



1 Conrod		F824200310020	
2 Small End Bush			
3 Conrod Bolt		F824200310440	S.38592
4 Conrod Nut			



1 Rocker Arm		F926202410020	
Rocker Arm Shaft		F524200410070	
2 Collet		F824200410170	S.38595
3 Valve Retainer		F824200410160	
4 Valve Stem Seal		F824200410220	
5 Inlet Valve Insert		F824200210940	
Exhaust Valve Insert		F824200210960	
6 Push Rod		F824200410260	
7 Tappet/Cam Follow er		F824200410020	S.38601
8 Inlet Valve Spring		F824200410150	
Exhaust Valve Spring		F824200410150	
9 Inlet/Exhaust Valve Guide		F524200210120	S.38604
10 Inlet Valve		F824200410140	
Exhaust Valve		F824200410130	
11 Camshaft		F524200410010	
12 Camshaft Bush			



13 Oil Pump			
14 Fuel Pump		F920200710030	
15 Water Pump		F524200610020	

**Fendt
MAN**

Engine

Liner mm

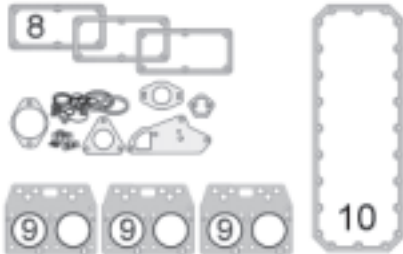
Piston mm

Cyl.	Liner mm		Piston mm			Additional information	
	Bore	Height	Pin	Height	Rings		
DO826	6	108	217	40	113	3	Ring Carrier Piston

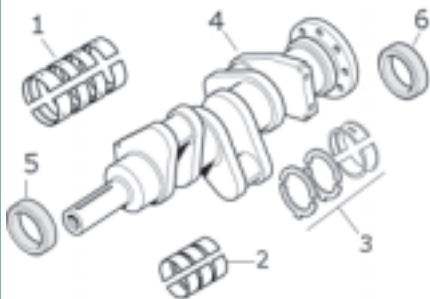
Models: Vario-Favorit 816, 818, 822, 824, 916, 920, 924, 926



Description	Remarks	Replaces	Sparex
1 Piston and Liner Set (per Cyl.)			S.37715
2 Liner		F926200210040	S.37716
3 Bush		F926202210420	Anfrage
3 Piston and Rings		F824200310010	S.37717
4 Ring Set			S.37718



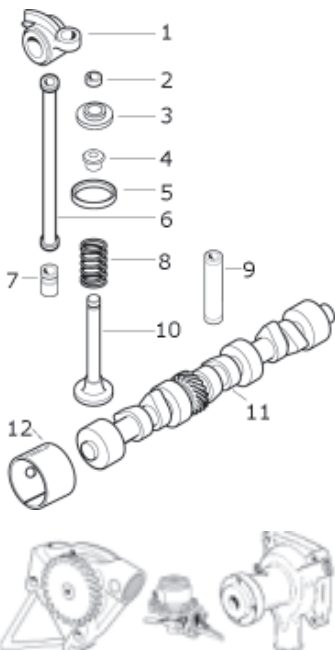
6 Top Gasket Set		F824200211010	S.38960
6+7 Complete Gasket Set		F824200210570	S.38955
8 Rocker Cover Gasket		F926202210010	S.38579
9 Head Gasket		F524200210160	S.38580
10 Sump Gasket			
11 Timing Cover Gasket		F824200210210	
12 Timing Cover Gasket			



1+3 Main Bearings (1 set)	Standard	F824200210280	S.38582
	0,010"	F824201310010	S.38583
2 Conrod Bearings (1 pair)	Standard	F824200310030	S.38584
	0,010"	F824200310040	S.38585
3 Thrust Washers (1 pair)			
4 Crankshaft		F926200310090	
5 Front Oil Seal		F824200210560	
6 Rear Oil Seal		F824200210180	



1 Conrod		F824200310020	
2 Small End Bush			
3 Conrod Bolt		F824200310440	S.38592
4 Conrod Nut			



1 Rocker Arm		F926202410020	
1 Rocker Arm Shaft		F524200410070	
2 Collet		F824200410170	S.38595
3 Valve Retainer		F824200410160	
4 Valve Stem Seal		F824200410220	
5 Inlet Valve Insert		F824200210940	
5 Exhaust Valve Insert		F824200210960	
6 Push Rod		F824200410260	
7 Tappet/Cam Follow er		F824200410020	S.38601
8 Inlet Valve Spring		F824200410150	
8 Exhaust Valve Spring		F824200410150	
9 Inlet/Exhaust Valve Guide		F524200210120	S.38604
10 Inlet Valve		F824200410140	
10 Exhaust Valve		F824200410130	
11 Camshaft		F824200410040	
12 Camshaft Bush			
13 Oil Pump			
14 Fuel Pump		F920200710030	
15 Water Pump		F824200610010	

Sparex

Case IH

David Brown

Deutz

Fendt

Fiatagri

Ford

John Deere

M F

Renault

Zetor

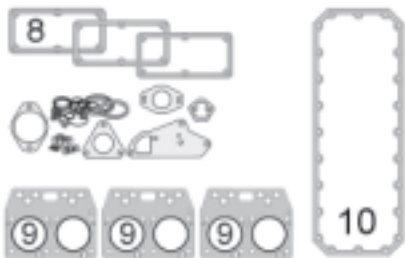
**Fendt
MAN**

Engine	Liner mm			Piston mm			Additional information
	Cyl.	Bore	Height	Pin	Height	Rings	
DO836LE	6	108	217	40	113	3	

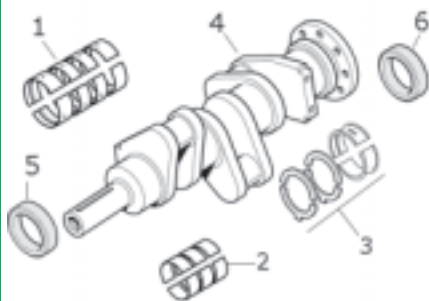
Models: Vario 916, 920, 924, 926, 23/3001>



Description	Remarks	Replaces	Sparex
1 Piston and Liner Set (per Cyl.)			
2 Liner		F926200210040	S.37716
3 Piston and Rings >4059		F926202310160	S.38531
Piston and Rings 4060>		F926202310320	
4 Ring Set			S.37718



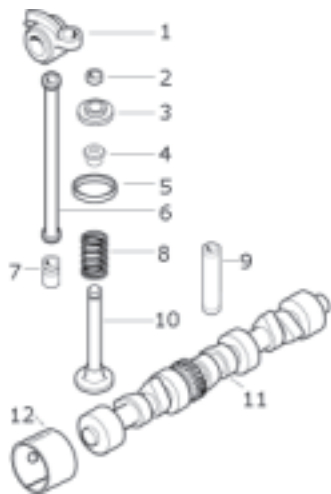
6 Top Gasket Set		F824200211010	S.38960
6+7 Complete Gasket Set		F926202210110	
8 Rocker Cover Gasket		F926202210010	S.38579
9 Head Gasket		F524200210160	S.38580
10 Sump Gasket			
11 Timing Cover Gasket			
12 Timing Cover Gasket			



1+3 Main Bearings (1 set)	Standard	F926202310090	S.38586
	0,010"	F926202310100	
2 Conrod Bearings (1 set)	Standard	F926202310200	S.38588
	0,010"	F926202310210	S.38585
3 Thrust Washers (1 set)		F926202310110	S.38590
4 Crankshaft		F926202310070	
5 Front Oil Seal		F824200210560	
6 Rear Oil Seal		F824200210180	



1 Conrod		F926202310180	
2 Small End Bush			
3 Conrod Bolt		F926202310190	S.38592
4 Conrod Nut			



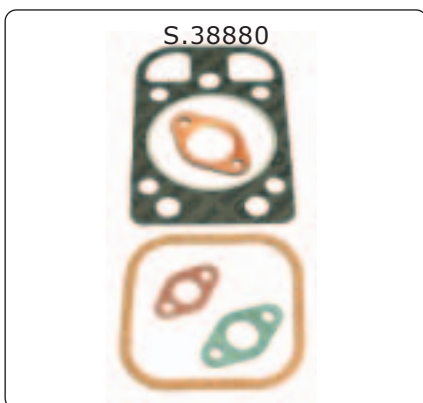
1 Rocker Arm		F926202410020	
Rocker Arm Shaft		F524200410070	
2 Collet		F824200410170	S.38595
3 Valve Retainer		F824200410160	
4 Valve Stem Seal		F824200410220	
5 Inlet Valve Insert		F824200210940	
Exhaust Valve Insert		F824200210960	
6 Push Rod		F824200410260	
7 Tappet/Cam Follow er		F824200410020	S.38601
8 Inlet Valve Spring		F824200410150	
Exhaust Valve Spring		F824200410150	
9 Inlet/Exhaust Valve Guide		F524200210120	S.38604
10 Inlet Valve		F824200410140	
Exhaust Valve		F824200410130	
11 Camshaft		F926202410010	
12 Camshaft Bush			



13 Oil Pump			
14 Fuel Pump		F920200710030	
15 Water Pump		F824200610010	



Gasket set per Cylinder			
Tractor	Engine	Replaces	Sparex
Fendt Farmer			
1, 1Z	AKD112		S.37867
1E, 102S	D325		S.38873
2, 2D	KD110-5		S.37869
2, 2E, 2S, 3, 4S, 5S, 103S, 105S, 106S	D208 D225		S.37870
102(S/SA) bis 108(S/SA)	D226		S.38876
102LS/LSA bis 108LS/LSA, 303(LS/LSA) bis 311(LSA)	D226-2 3,2 4,2		S.38877
305(LS/LSA), bis 312(LSA), 511C, 512C, 514C	TD226-B	Order Components	
200S, 201S, 203V, 204P, 205P, 240S, 250KA, 250V, 260S, 275VA, 280PA	FL912, FL913		S.31118
Fendt Favorit			
3, 4S, 10S, 11S, 610S	D208 D225		S.37870
12S, 610LSA, 611SA	D226		S.38876
600LSA, 610LSA	D227		S.38878
611LSA, 611LSA, 612LSA, 612LSA	(T) D226-2 6,2		S.38877
Fendt GT			
F225GT	AKZ112Z		S.37867
F231GT, F250GT, F231GT	D308, 325, 925L3		S.38873
F231GT	D327-3		S.38875
F255GT, F275GT, F345GT, F360GT(H), F365GTA, F380GHA/GT/A, F395GTA (GHA)		FL912, FL913	S.31118



Gasket set for KD12, KD412E, AKD311				
Description	Engine	Remarks	Replaces	Sparex
1 Top Gasket Set	KD12Z			S.38879
	KD12.4			S.38880
	KD412E			S.38882
	AKD311Z			S.38612
2				
3 Rocker Cover Gasket	AKD311Z			S.38613
4 Shim Washer	AKD311Z			S.38614

Case IH

David Brown

Deutz

Fendt

Fiatagri

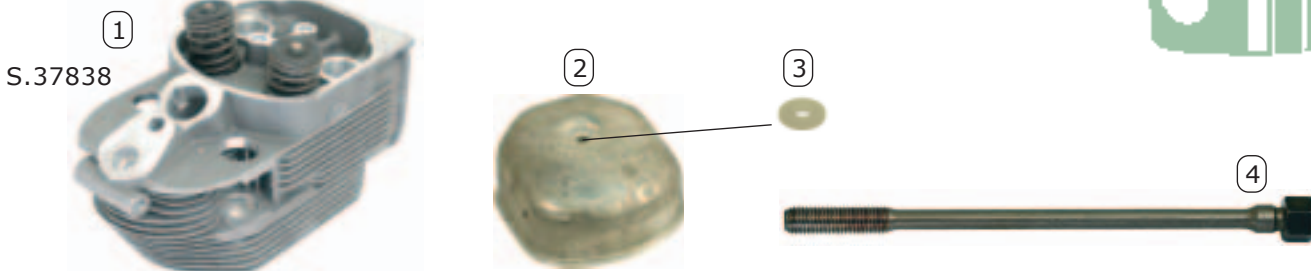
Ford

John Deere

M F

Renault

Zetor



Cylinder Head and related parts for Fendt Tractors fitted with Deutz Engines

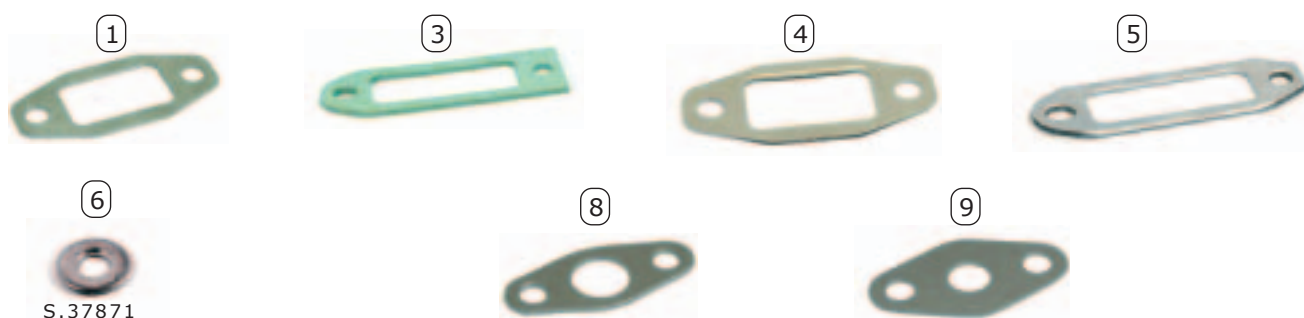
Description	Engine	Remarks	Replaces	Sparex
1 Cylinder Head complete w ith Valves	FL912, 913a		04230612	S.37838
	FL912D, 913		04230613	S.37839
	BF4L913			S.37837
	BF6L913CT			S.37836
2 Rocker Cover	FL912, FL913		04231430	S.37982
3 Seal				S.31124
4 Cylinder Head Bolt	FL912, FL913	210mm	02101681	S.69966
	BF913	217mm	02238632	S.37958



Cylinder Head Ring

mm	Replaces KHD	Sparex
1,10 Standard	04157654	S.69941
1,15	04157655	S.38570
1,20	04157656	S.38571
1,25	04157657	S.38572
1,30	04157658	S.38573
1,35	04157659	S.38574
1,40	04157466	S.38575
1,45	04157467	S.38576

Engine (KHD)	Replaces	Sparex
FL912 (B)	04232125	S.31119



Various Exhaust and Thermostat Gaskets

Description	Engine	Remarks	Replaces	Sparex
1 Intake Gasket	AKD112Z, KD105, KD110, D208 to TD226B6		F184230090070	S.38907
2 Intake Gasket	TD226B New		X199204010040	S.38869
3 Intake Gasket	KHD 912,913		F100004157248	S.31161
4 Exhaust Gasket	AKD112Z, KD105, KD110, D208 to TD226B6		F184230090071	S.38908
5 Exhaust Gasket	KHD 912,913		F100004157248	S.31160
6 Injector Washer	MWM		F385200710140	S.37871
	KHD 912, 913		F100004153052	
7 Thermostat Gasket	TD226B		199204010050	S.38942
8 Turbo Top Gasket	TD226B	>20000	F186200090040	S.38943
9 Turbo Bottom Gasket	TD226B		F184230100110	S.38944





②



Timing Cover Gaskets

Description	Engine	Remarks	Replaces	Sparex
1 Timing Cover Gasket (Front)	D308, D325, D328, D925		F139207210090	S.38502
2 Timing Cover Gasket (Front)	D225, D226, D227		F180200210180	S.38941
3 Timing Cover Gasket (Rear)	D308, D325, D328, D925		F139207210110	S.38503
4 Timing Cover Gasket (Rear)	D225, D226, D227		F180200210160	S.38616

Case IH

David Brown

Deutz

Fendt

Fiatagri

Ford

John Deere

M F

Renault

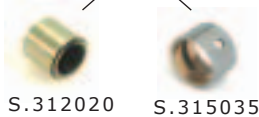
Zetor



Ring Gear for Fendt Tractors with Deutz Engines

Description	Engine	Remarks	Replaces	Sparex
1 Ring Gear	FL912		F100002131081	S.69985

①



S.312020 S.315035

②



③



④



⑤



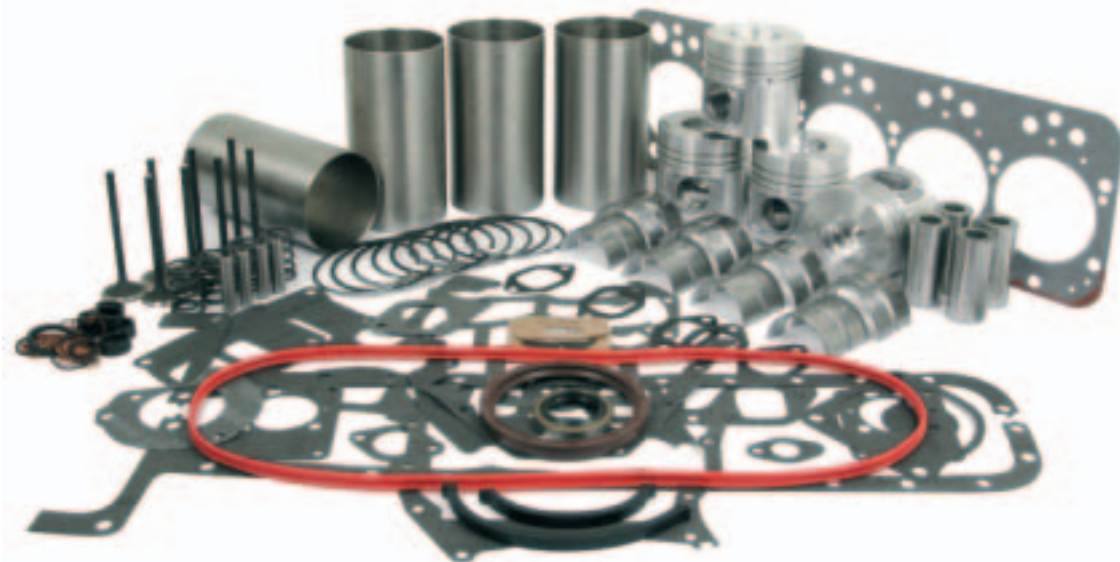
⑥



Valve parts for Fendt Tractors with Deutz Engines

Description	Engine	Remarks	Replaces	Sparex
1 Rocker Arm Bush	912, 913, BF			S.312020
2 Tappet	912, 913, BF		F100002237661	S.315035
3 Push Rod Tube Gasket	912, 913, BF		F100002232840	S.38964
	912, 913, BF		F100002232840	S.38964
4 Insert	912, 913, BF		F100003371887	S.312023
5 Valve Cap	912, 913, BF		F100002236578	S.312021
6 Rocker Block	912, 913, BF		F100003371867	S.312025

Engine Parts suitable for Fiat (Fiatagri)



Case IH

David Brown

Deutz

Tractor Model to Engine Index

Model	Engine	Cyl	Page	Model	Engine	Cyl	Page
411R	615D	4	91	50 - 66	8035.06	3	96
415	615D	4	91	55 - 66/F	8035.06	3	96
446	8035.02	3	93	55 - 76 (F)	8035.06	3	96
450	8035.01	3	92	55 - 90	8035.06	3	96
450	8035.02	3	93	60 - 66/F	8035.05	3	95
460	8035.01	3	92	60 - 76F	8035.05	3	95
466	8035.02	3	93	60 - 90	8035.05	3	95
470	8035.01	3	92	60 - 93	8035.05	3	95
480	8035.02	3	93	60 - 94	8035.05	3	95
480/8F	8035.01	3	92	65 - 66	8045.06	4	101
500	8035.02	3	93	65 - 90	8045.06	4	101
540	8035.02	3	93	65 - 93	8045.06	4	101
550	8045.01	4	97	65 - 94	8045.06	4	101
566	8035.04	3	94	70 - 66	8045.06	4	101
570	8035.04	3	94	70 - 66F	8045.06	4	101
580	8035.04	3	94	70 - 76F	8045.06	4	101
600	8045.02	4	98	70 - 90	8045.06	4	101
640	8045.02	4	98	72 - 93	8045.06	4	101
650	OM CN3	3	109	72 - 94	8045.06	4	101
650S	OM CN3	3	109	80 - 66	8045.05	4	100
666	8045.02	4	98	80 - 66F	8045.05	4	100
670	8045.02	4	98	80 - 76F	8045.05	4	100
680	8045.02	4	98	82 - 93	8045.05	4	100
750 (S)	OM CO3	4	110	82 - 94	8045.05	4	100
766	8045.04	4	99	80 - 90	8045.05	4	100
780	8045.04	4	99	90 - 90	8055.05	5	103
850 (S)	OM CO3	4	110	100 - 90	8065.06	6	108
880	OM CO3	4	110	110 - 90	8065.06	6	108
880/5	8055.04	5	102	115 - 90	8065.05	6	107
900	8065.01	6	104	F 100	8065.05	6	107
980	8065.02	6	105	F 110	8065.05	6	107
1000	8065.02	6	105	F 115	8065.05	6	107
1000 Super	8065.04	6	106	F 120	8065.05	6	107
1180	8065.04	6	106	L 60	8035.05	3	95
1300 (S)	OM CP3	6	111	L 75	8045.05	4	100
45 - 66	8035.06	3	96	L 65	8045.06	4	101

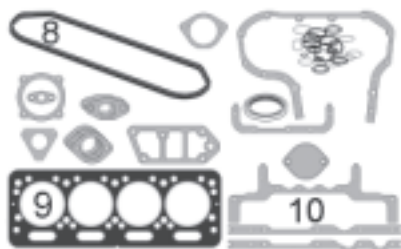


Engine	Liner mm			Piston mm			Additional information
	Cyl.	Bore	Height	Pin	Height	Rings	
615D	4	85,00		28	90	3	Semi Finished Liner

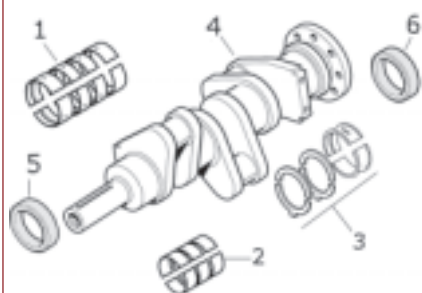
Models: 411R, 415



Description	Remarks	Replaces	Sparex
1 Piston and Liner Set (per Cyl.)		Order Components	
2 Liner	Semi Finished	561212	S.62336
3 Piston and Rings		1909866	S.62172
4 Ring Set		1909861	S.62335



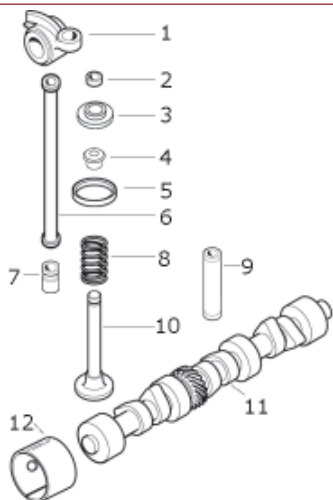
6 Top Gasket Set		566236	S.62400
7 Complete Gasket Set		902050	S.59065
8 Rocker Cover Gasket			
9 Head Gasket			
10 Sump Gasket			



1 Main Bearings (1 set)	Standard	1909893	S.59061
	0,25"	1909894	S.59062
	0,50"	1909895	S.59063
2 Conrod Bearings (1 set)	Standard		S.59058
	0,25"		S.59059
	0,50"		S.59060
3 Thrust Washers (1 set)	Standard	902302	S.59167
	0,25"	902303	S.58942
4 Crankshaft		893295	S.59054
5 Front Oil Seal		40000400	S.50405
6 Rear Oil Seal		4602229	S.58954



1 Conrod			
2 Small End Bush	28mm	561276	S.59166
3 Conrod Bolt			
4 Conrod Nut			



1 Rocker Arm			
2 Rocker Arm Shaft			
3 Collet			
4 Valve Retainer			
5 Valve Stem Seal			
6 Push Rod			
7 Tappet/Cam Follow er			
8 Inlet Valve Spring			
Exhaust Valve Spring			
9 Inlet/Exhaust Valve Guide		4758798	S.62064
10 Inlet Valve		4579416	S.62350
Exhaust Valve		4579417	S.62363
11 Camshaft			
12 Camshaft Bush			



13 Oil Pump		564648	S.59080
14 Fuel Pump			
15 Water Pump		566997	S.62297

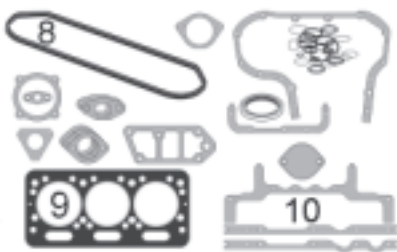
Fiatagri

Engine	Liner mm			Piston mm			Additional information
	Cyl.	Bore	Height	Pin	Height	Rings	
8035.01	3	95,00	187,00	32	101,15	3	Semi Finished Liner

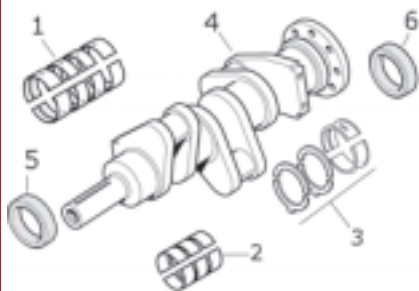
Models: 450, 460, 470, 480/8F



Description	Remarks	Replaces	Sparex
1 Piston and Liner Set (per Cyl.)		Order Components	
2 Liner	Semi Finished	4599351	S.62032
3 Piston and Rings		1900691	S.62020
4 Ring Set		1901496	S.62026



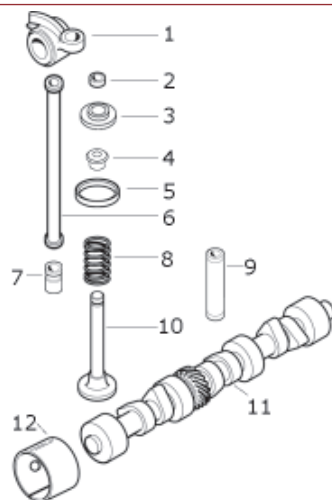
6 Top Gasket Set		1909528	S.62079
7 Complete Gasket Set		1909527	S.62078
8 Rocker Cover Gasket			
9 Head Gasket			
10 Sump Gasket		1940006	S.62113



1 Main Bearings (1 pair)	Standard	1901803	S.62047
	0,25"	1901804	S.62048
	0,50"	1901805	S.62453
2 Conrod Bearings (1 pair)	Standard	1901609	S.62041
	0,25"	1901610	S.62042
	0,50"	1901611	S.62450
3 Thrust Washers (1 set)	Standard	1909996	S.62052
	0,25"	1909997	S.58943
4 Crankshaft	6 Holes	4653850	S.59055
4 Crankshaft	7 Holes	4785106	S.58966
5 Front Oil Seal		40101331	S.62068
6 Rear Oil Seal	For 6 Holes	40000720	S.62071
6 Rear Oil Seal	For 7 Holes	40002811	S.62070



1 Conrod		4637680	S.61994
2 Small End Bush	32mm	4555699	S.62037
3 Conrod Bolt			
4 Conrod Nut			



1 Rocker Arm			
1 Rocker Arm Shaft			
2 Collet		14196670	S.59051
3 Valve Retainer			
4 Valve Stem Seal			
5 Inlet Valve Insert			
5 Exhaust Valve Insert			
6 Push Rod			
7 Tappet/Cam Follow er			
8 Inlet Valve Spring		4689554	S.62065
8 Exhaust Valve Spring		4689554	S.62065
9 Inlet/Exhaust Valve Guide		4802126	S.62062
10 Inlet Valve		4802200	S.62056
10 Exhaust Valve		4673608	S.62059
11 Camshaft		4603298	S.62840
12 Camshaft Bush Set		4603449	S.62121



13 Oil Pump		4705827	S.62133
14 Fuel Pump		4757883	S.63039
15 Water Pump		93191101	S.63049

Fiatagri

Engine	Liner mm			Piston mm			Additional information
	Cyl.	Bore	Height	Pin	Height	Rings	
8035.02	3	100,00	187,00	32/34	101,15	3	Semi Finished Liner

Models: 446, 450, 466, 480, 500, 540

Sparex

Case IH

David Brown

Deutz

Fendt

Fiatagri

Ford

John Deere

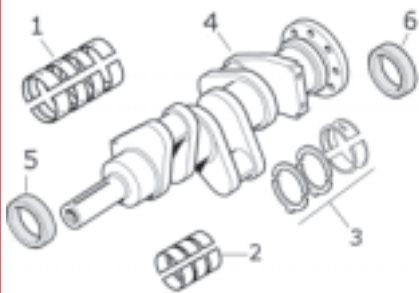
M F

Renault

Zetor



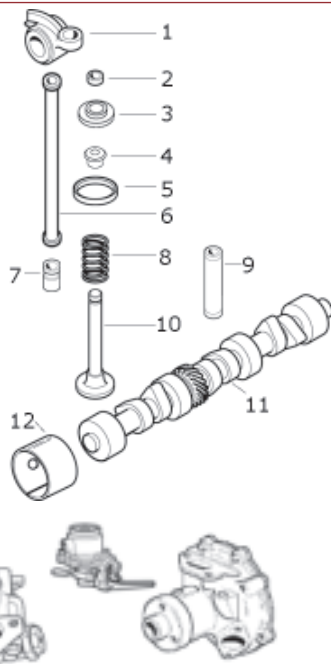
Description	Remarks	Replaces	Sparex
1 Piston and Liner Set (per Cyl.)		Order Components	
2 Liner	32 mm	4653280	S.62033
3 Piston and Rings	Gudgeon Pin	79037500	S.62021
4 Ring Set		1909172	S.62027
1 Piston and Liner Set (per Cyl.)		Order Com	
2 Liner	34 mm	4653280	S.62033
3 Piston	Gudgeon Pin	1908745	S.62019
4 Ring Set		1930169	S.62028
6 Top Gasket Set		1909591	S.62077
7 Complete Gasket Set		1929590	S.62080
8 Rocker Cover Gasket		4783243	S.62127
9 Head Gasket			
10 Sump Gasket		1940006	S.62113



1 Main Bearings (1 pair)	Standard	1901803	S.62047
	0,25"	1901804	S.62048
	0,50"	1901805	S.62453
2 Conrod Bearings (1 pair)	Standard	1901609	S.62041
	0,25"	1901610	S.62042
	0,50"	1901611	S.62450
3 Thrust Washers (1 set)	Standard	1909996	S.62052
	0,25"	1909997	S.58943
4 Crankshaft	6 Holes	4653850	S.59055
4 Crankshaft	7 Holes	4785106	S.58966
5 Front Oil Seal		40101331	S.62068
6 Rear Oil Seal	For 6 Holes	40000720	S.62071
6 Rear Oil Seal	For 7 Holes	40002811	S.62070



1 Conrod	32mm	4637680	S.61994
	34mm	4679221	S.58940
2 Small End Bush	32mm	4555699	S.62037
	34mm	4754066	S.62039



1 Rocker Arm			
Rocker Arm Shaft			
2 Collet		14196670	S.59051
3 Valve Retainer			
4 Valve Stem Seal			
5 Inlet Valve Insert			
5 Exhaust Valve Insert			
6 Push Rod			
7 Tappet/Cam Follow er			
8 Inlet Valve Spring		4689554	S.62065
8 Exhaust Valve Spring		4689554	S.62065
9 Inlet/Exhaust Valve Guide		4802126	S.62062
10 Inlet Valve		4802200	S.62056
10 Exhaust Valve		4673608	S.62059
11 Camshaft		4603298	S.62840
12 Camshaft Bush Set		4603449	S.62121
13 Oil Pump		4705827	S.62133
14 Fuel Pump		4757883	S.63039
15 Water Pump		93191101	S.63049

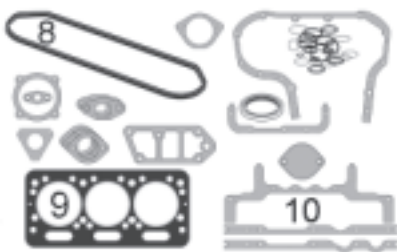
Fiatagri

Engine	Liner mm			Piston mm			Additional information
	Cyl.	Bore	Height	Pin	Height	Rings	
8035.04	3	103,00	187,00	34	101,15	3	Semi Finished Liner

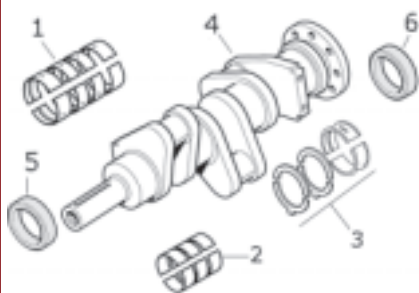
Models: 566, 570, 580



Description	Remarks	Replaces	Sparex
1 Piston and Liner Set (per Cyl.)		Order Components	
2 Liner	Semi Finished	4679201	S.62339
3 Piston and Rings		1902430	S.62024
4 Ring Set		1909234	S.62030



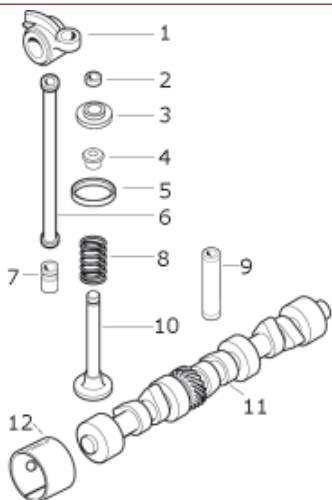
6 Top Gasket Set		1930258	S.62102
7 Complete Gasket Set		1930257	S.62083
8 Rocker Cover Gasket		4783248	S.62127
9 Head Gasket			
10 Sump Gasket		1940006	S.62113



1 Main Bearings (1 pair)	Standard	1901803	S.62047
	0,25"	1901804	S.62048
2 Conrod Bearings (1 pair)	Standard	1901609	S.62041
	0,25"	1901610	S.62042
3 Thrust Washers (1 set)	Standard	1901377	S.62575
	0,25"	1901378	S.58946
4 Crankshaft	7 Holes	4785106	S.58966
5 Front Oil Seal		40101331	S.62068
6 Rear Oil Seal		40002811	S.62070



1 Conrod		4679221	S.58940
2 Small End Bush	34mm	4754066	S.62039
3 Conrod Bolt			
4 Conrod Nut			



1 Rocker Arm			
2 Rocker Arm Shaft			
3 Collet		14196670	S.59051
4 Valve Retainer			
5 Inlet Valve Insert			
6 Exhaust Valve Insert			
7 Push Rod			
8 Inlet Valve Spring		4689554	S.62065
9 Exhaust Valve Spring		4689554	S.62065
10 Inlet/Exhaust Valve Guide		4802126	S.62062
11 Inlet Valve		4802200	S.62056
12 Exhaust Valve		4673608	S.62059
13 Camshaft		4603298	S.62840
14 Camshaft Bush Set		4603449	S.62121



13 Oil Pump		4705827	S.62133
14 Fuel Pump		4757883	S.63039
15 Water Pump	only Model 566	4679242	S.63049
	only model 580	4679242	S.63055

Fiatagri

Engine	Liner mm			Piston mm			Additional information
	Cyl.	Bore	Height	Pin	Height	Rings	
8035.05	3	104,00	198,00	38	108,5	3	Semi Finished Liner

Models: 60-66F, 60-90, 60-93, 60-94, L60, 60-76F

Sparex

Case IH

David Brown

Deutz

Fendt

Fiatagri

Ford

John Deere

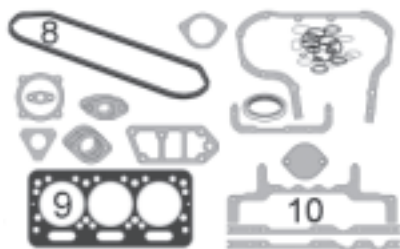
M F

Renault

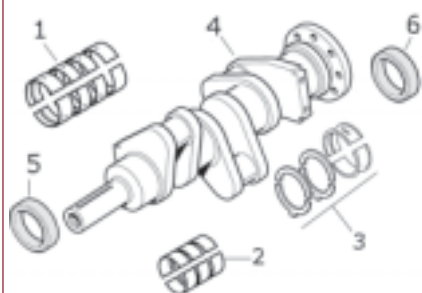
Zetor



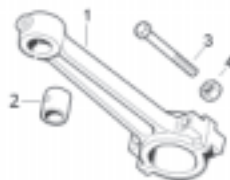
Description	Remarks	Replaces	Sparex
1 Piston and Liner Set (per Cyl.)		Order Components	
2 Liner	Semi Finished	4770623	S.62035
3 Piston and Rings		1930186	S.62023
4 Ring Set		1930191	S.62029



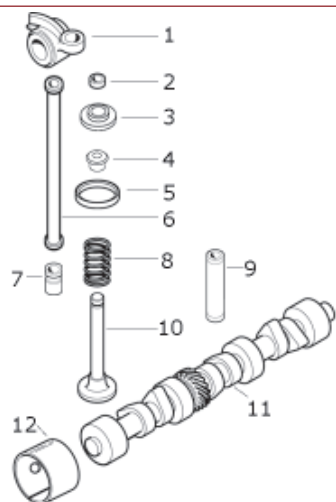
6 Top Gasket Set		1930258	S.62102
7 Complete Gasket Set		1930257	S.62083
8 Rocker Cover Gasket		4783248	S.62127
9 Head Gasket			
10 Sump Gasket		1940006	S.62113



1 Main Bearings (1 pair)	Standard	1930176	S.62049
	0,25"	1930177	S.62345
	0,50"	1930178	S.62454
2 Conrod Bearings (1 pair)	Standard	1930181	S.62043
	0,25"	1930182	S.62044
	0,50"	1930183	S.62451
3 Thrust Washers (1 set)	Standard	1901385	S.62053
	0,25"	1901386	S.58945
4 Crankshaft			
5 Front Oil Seal		98461684	S.62068
6 Rear Oil Seal		98461686	S.62073



1 Conrod		4780624	S.58941
2 Small End Bush	38mm	4766404	S.62038
3 Conrod Bolt			
4 Conrod Nut			



1 Rocker Arm			
Rocker Arm Shaft			
2 Collet		14196670	S.59051
3 Valve Retainer			
4 Valve Stem Seal			
5 Inlet Valve Insert			
Exhaust Valve Insert			
6 Push Rod			
7 Tappet/Cam Follower			
8 Inlet Valve Spring		4780108	S.62066
Exhaust Valve Spring		4780108	S.62066
9 Inlet/Exhaust Valve Guide		4802126	S.62062
10 Inlet Valve		4824417	S.62057
Exhaust Valve		4784889	S.62060
11 Camshaft		4824215	S.59066
12 Camshaft Bush Set		4603449	S.62121



13 Oil Pump		4705827	S.62133
14 Fuel Pump		4757883	S.63039
15 Water Pump	All except L60	4813370	S.63052
	L60	99454833	S.59032

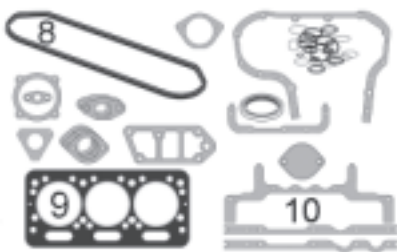
Fiatagri

Engine	Liner mm			Piston mm			Additional information
	Cyl.	Bore	Height	Pin	Height	Rings	
8035.06	3	100,00	196,00	38	108,5	3	Semi Finished Liner

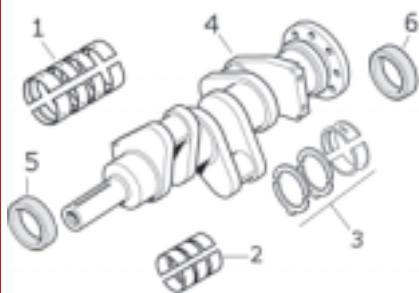
Models: 45-66, 50-66, 55-66F, 55-76, 55-90, 55-76F



Description	Remarks	Replaces	Sparex
1 Piston and Liner Set (per Cyl.)		Order Components	
2 Liner	Semi Finished	4770654	S.62034
3 Piston and Rings		1930241	S.62022
4 Ring Set		1930169	S.62028



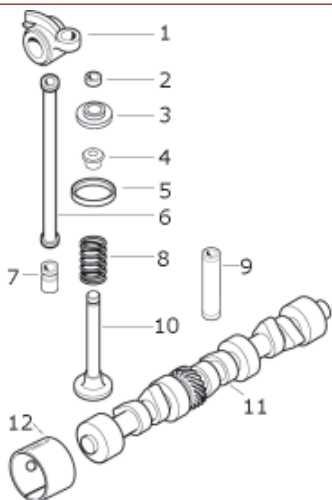
6 Top Gasket Set		1930255	S.62100
7 Complete Gasket Set		1930253	S.62080
8 Rocker Cover Gasket		4783248	S.62127
9 Head Gasket			
10 Sump Gasket		1940006	S.62113



1 Main Bearings (1 pair)	Standard	1930176	S.62049
	0,25"	1930177	S.62345
2 Conrod Bearings (1 pair)	Standard	1930181	S.62043
	0,25"	1930182	S.62044
	0,50"	1930183	S.62451
3 Thrust Washers (1 set)	Standard	1901385	S.62053
	0,25"	1901386	S.58945
4 Crankshaft			
5 Front Oil Seal		98461684	S.62068
6 Rear Oil Seal		98461686	S.62073



1 Conrod		4780624	S.58941
2 Small End Bush	38mm	4766404	S.62038
3 Conrod Bolt			
4 Conrod Nut			



1 Rocker Arm			
Rocker Arm Shaft			
2 Collet		14196670	S.59051
3 Valve Retainer			
4 Valve Stem Seal			
5 Inlet Valve Insert			
Exhaust Valve Insert			
6 Push Rod			
7 Tappet/Cam Follow er			
8 Inlet Valve Spring		4780108	S.62066
Exhaust Valve Spring		4780108	S.62066
9 Inlet/Exhaust Valve Guide		4802126	S.62062
10 Inlet Valve		4824417	S.62057
Exhaust Valve		4784889	S.62060
11 Camshaft		4824215	S.59066
12 Camshaft Bush Set		4603449	S.62121



13 Oil Pump		4705827	S.62133
14 Fuel Pump		4757883	S.63039
15 Water Pump		4813370	S.63052
	With Bypass	98497117	S.59000

Fiatagri

Engine

Liner mm

Piston mm

8045.01

Cyl.	Bore	Height
4	95,00	187,00

Pin	Height	Rings
32	101,15	3

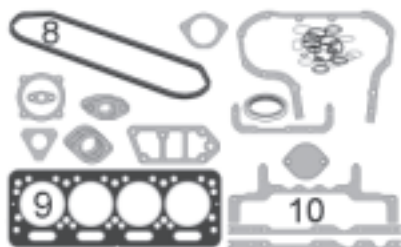
Additional information
Semi Finished Liner

Models: 550

Sparex



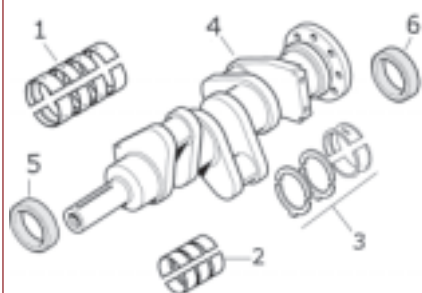
Description	Remarks	Replaces	Sparex
1 Piston and Liner Set (per Cyl.)		Order Components	
2 Liner	Semi Finished	4599351	S.62032
3 Piston and Rings		1900691	S.62020
4 Ring Set		1901496	S.62026



6 Top Gasket Set		1909593	S.62082
7 Complete Gasket Set		1909541	S.62081
8 Rocker Cover Gasket		4601049	S.62128
9 Head Gasket			
10 Sump Gasket		1940004	S.62114

Case IH

David Brown



1 Main Bearings (1 pair)	Standard	1901803	S.62047
	0,25"	1901804	S.62048
	0,50"	1901805	S.62453
2 Conrod Bearings (1 pair)	Standard	1901609	S.62041
	0,25"	1901610	S.62042
	0,50"	1901611	S.62450
3 Thrust Washers (1 set)	Standard	1909996	S.62052
	0,25"	1909997	S.58943
4 Crankshaft		4653287	S.59056
5 Front Oil Seal		98461684	S.62068
6 Rear Oil Seal		40000720	S.62071

Deutz

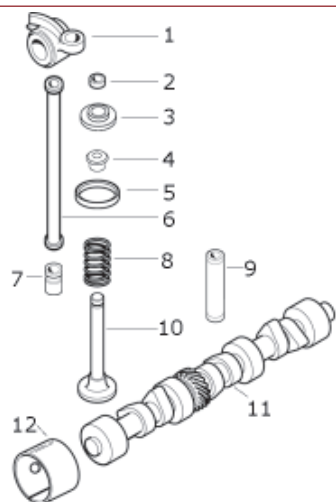
Fendt



1 Conrod		4637680	S.61994
2 Small End Bush	32mm	4555699	S.62037
3 Conrod Bolt			
4 Conrod Nut			

Fiatagri

Ford



1 Rocker Arm			
Rocker Arm Shaft			
2 Collet		14196670	S.59051
3 Valve Retainer			
4 Valve Stem Seal			
5 Inlet Valve Insert			
Exhaust Valve Insert			
6 Push Rod			
7 Tappet/Cam Follow er			
8 Inlet Valve Spring			
Exhaust Valve Spring			
9 Inlet/Exhaust Valve Guide		4802126	S.62062
10 Inlet Valve		4802200	S.62056
Exhaust Valve		4673608	S.62059
11 Camshaft		4603154	S.69821
12 Camshaft Bush Set		4603449	S.62121

John Deere

M F

Renault



13 Oil Pump		4705827	S.62133
14 Fuel Pump		4757883	S.63039
15 Water Pump		4679242	S.63049

Zetor

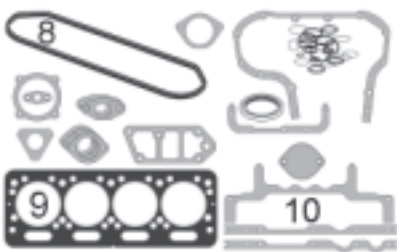
Fiatagri

Engine	Liner mm			Piston mm			Additional information
	Cyl.	Bore	Height	Pin	Height	Rings	
8045.02	4	100,00	187,00	32/34	101,15	3	Semi Finished Liner

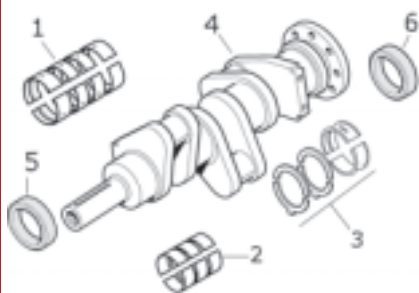
Models: 600, 640, 666, 670, 680



Description	Remarks	Replaces	Sparex
1 Piston and Liner Set (per Cyl.)		Order Components	
2 Liner	32 mm	4653280	S.62033
3 Piston and Rings	Gudgeon Pin	79037500	S.62021
4 Ring Set		1909172	S.62027



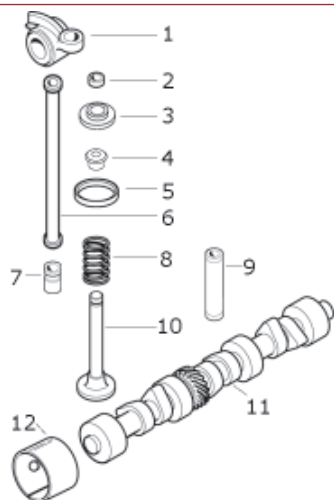
Description	Remarks	Replaces	Sparex
1 Piston and Liner Set (per Cyl.)		Order Components	
2 Liner	34 mm	4653280	S.62033
3 Piston and Rings	Gudgeon Pin	1908745	S.62019
4 Ring Set		1930169	S.62028
6 Top Gasket Set		1930260	S.62104
7 Complete Gasket Set		1909563	S.62085
8 Rocker Cover Gasket	Flat Face	4601049	S.62128
Rocker Cover Gasket	Rough Face	4782836	S.62126
10 Sump Gasket		1940004	S.62114



1 Main Bearings (1 pair)	Standard	1901803	S.62047
	0,25"	1901804	S.62048
	0,50"	1901805	S.62453
2 Conrod Bearings (1 pair)	Standard	1901609	S.62041
	0,25"	1901610	S.62042
	0,50"	1901611	S.62450
3 Thrust Washers (1 set)	Standard	1901377	S.62575
	0,25"	1901378	S.58946
4 Crankshaft	6 Holes	4653287	S.59056
4 Crankshaft	7 Holes	4682232	S.58901
5 Front Oil Seal		98461684	S.62068
6 Rear Oil Seal	For 6 Holes	40000720	S.62071
6 Rear Oil Seal	For 7 Holes	40002811	S.62070



1 Conrod	32mm	4637680	S.61994
1 Conrod	34mm	4679221	S.58940
2 Small End Bush	32mm	4555699	S.62037
2 Small End Bush	34mm	4754066	S.62039



1 Rocker Arm			
1 Rocker Arm Shaft			
2 Collet		14196670	S.59051
3 Valve Retainer			
4 Valve Stem Seal			
5 Inlet Valve Insert			
5 Exhaust Valve Insert			
6 Push Rod			
7 Tappet/Cam Follower			
8 Inlet Valve Spring		4689554	S.62065
8 Exhaust Valve Spring		4689554	S.62065
9 Inlet/Exhaust Valve Guide		4802126	S.62062
10 Inlet Valve		4802200	S.62056
10 Exhaust Valve		4673608	S.62059
11 Camshaft		4603154	S.69821
12 Camshaft Bush Set		4603449	S.62121



13 Oil Pump		4705827	S.62133
14 Fuel Pump		4757883	S.63039
15 Water Pump		4679242	S.63049

Fiatagri

Engine	Liner mm			Piston mm			Additional information
	Cyl.	Bore	Height	Pin	Height	Rings	
8045.04	4	103,00	187,00	34	101,15	3	Semi Finished Liner

Models: 766, 780

Sparex

Case IH

David Brown

Deutz

Fendt

Fiatagri

Ford

John Deere

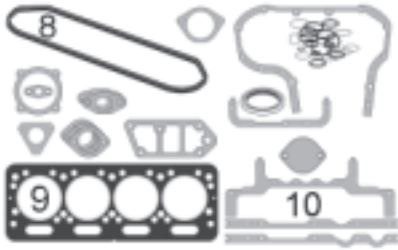
M F

Renault

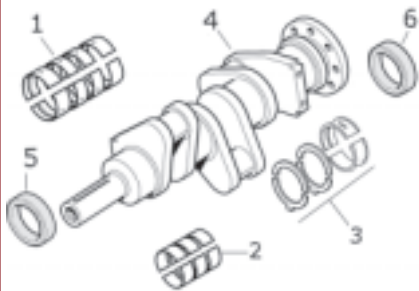
Zetor



Description	Remarks	Replaces	Sparex
1 Piston and Liner Set (per Cyl.)		Order Components	
2 Liner	Semi Finished	4679201	S.62339
3 Piston and Rings		1902430	S.62024
4 Ring Set		1909234	S.62030



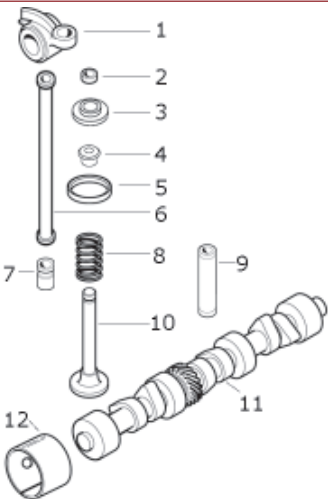
6 Top Gasket Set		1909572	S.62090
7 Complete Gasket Set		1909571	S.62089
8 Rocker Cover Gasket	Flat Face	4601049	S.62128
8 Rocker Cover Gasket	Rough Face	4782836	S.62126
10 Sump Gasket		1940004	S.62114



1 Main Bearings (1 pair)	Standard	1901803	S.62047
	0,25"	1901804	S.62048
	0,50"	1901805	S.62453
2 Conrod Bearings (1 pair)	Standard	1901609	S.62041
	0,25"	1901610	S.62042
	0,50"	1901611	S.62450
3 Thrust Washers (1 set)	Standard	1901377	S.62575
	0,25"	1901378	S.58946
4 Crankshaft		4682232	S.58901
5 Front Oil Seal		98461684	S.62068
6 Rear Oil Seal		40002811	S.62070



1 Conrod		4679221	S.58940
2 Small End Bush	34mm	4754066	S.62039
3 Conrod Bolt			
4 Conrod Nut			



1 Rocker Arm			
Rocker Arm Shaft			
2 Collet		14196670	S.59051
3 Valve Retainer			
4 Valve Stem Seal			
5 Inlet Valve Insert			
5 Exhaust Valve Insert			
6 Push Rod			
7 Tappet/Cam Follow er			
8 Inlet Valve Spring		4689554	S.62065
8 Exhaust Valve Spring		4689554	S.62065
9 Inlet/Exhaust Valve Guide		4802126	S.62062
10 Inlet Valve		4802200	S.62056
10 Exhaust Valve		4673608	S.62059
11 Camshaft		4603154	S.69821
12 Camshaft Bush Set		4603449	S.62121



13 Oil Pump		4705827	S.62133
14 Fuel Pump		4757883	S.63039
15 Water Pump	766	4679242	S.63049
15 Water Pump	780	4696707	S.63055

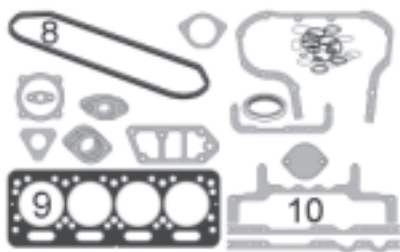
Fiatagri

Engine	Liner mm			Piston mm			Additional information
	Cyl.	Bore	Height	Pin	Height	Rings	
8045.05	4	104,00	198,00	38	108,5	3	Semi Finished Liner

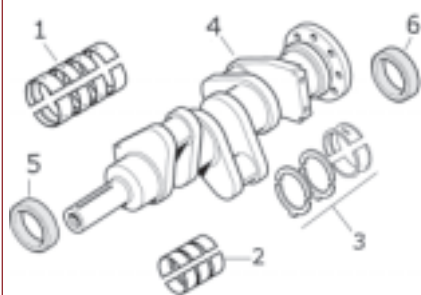
Models: 80-66, 80-66F, 80-76F, 80-90, 82-93, 82-94, L75



Description	Remarks	Replaces	Sparex
1 Piston and Liner Set (per Cyl.)		Order Components	
2 Liner	Semi Finished	4770623	S.62035
3 Piston and Rings		1930186	S.62023
4 Ring Set		1930191	S.62029



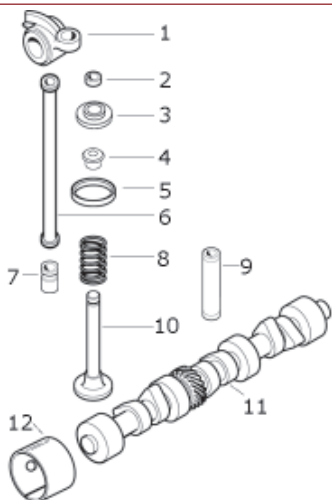
6 Top Gasket Set		1930249	S.62106
7 Complete Gasket Set		1930248	S.62105
8 Rocker Cover Gasket		4782836	S.62126
9 Head Gasket			
10 Sump Gasket		1940004	S.62114



1 Main Bearings (1 pair)	Standard	1930176	S.62049
	0,25"	1930177	S.62345
	0,50"	1930178	S.62454
2 Conrod Bearings (1 pair)	Standard	1930181	S.62043
	0,25"	1930182	S.62044
	0,50"	1930183	S.62451
3 Thrust Washers (1 set)	Standard	1901385	S.62053
	0,25"	1901386	S.58945
4 Crankshaft		4785110	S.59052
5 Front Oil Seal		98461684	S.62068
6 Rear Oil Seal		98461686	S.62073



1 Conrod		4780624	S.58941
2 Small End Bush	38mm	4766404	S.62038
3 Conrod Bolt			
4 Conrod Nut			



1 Rocker Arm			
Rocker Arm Shaft			
2 Collet		14196670	S.59051
3 Valve Retainer			
4 Valve Stem Seal			
5 Inlet Valve Insert			
Exhaust Valve Insert			
6 Push Rod			
7 Tappet/Cam Follow er			
8 Inlet Valve Spring		4780108	S.62066
Exhaust Valve Spring		4780108	S.62066
9 Inlet/Exhaust Valve Guide		4802126	S.62062
10 Inlet Valve		4824417	S.62057
Exhaust Valve		4784889	S.62060
11 Camshaft			
12 Camshaft Bush Set		4603449	S.62121



13 Oil Pump		4705827	S.62133
14 Fuel Pump		4757883	S.63039
15 Water Pump		4813370	S.63052

Fiatagri

Engine	Liner mm			Piston mm			Additional information
	Cyl.	Bore	Height	Pin	Height	Rings	
8045.06	4	100,00	196,00	38	108,5	3	Semi Finished Liner

Models: 65-66, 65-90, 65-93, 65-94, 70-66, 70-66F, 70-76F, 70-90, 72-93, 72-94, L65

Sparex

Case IH

David Brown

Deutz

Fendt

Fiatagri

Ford

John Deere

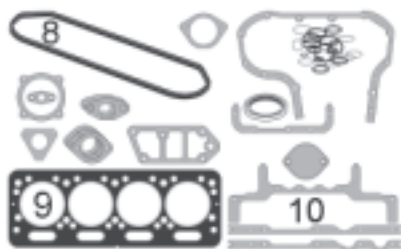
M F

Renault

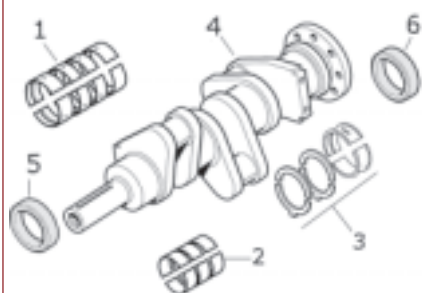
Zetor



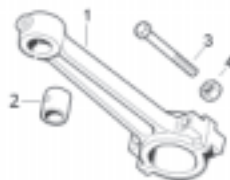
Description	Remarks	Replaces	Sparex
1 Piston and Liner Set (per Cyl.)		Order Components	
2 Liner	Semi Finished	4770654	S.62034
3 Piston and Rings		1930241	S.62022
4 Ring Set		1930169	S.62028



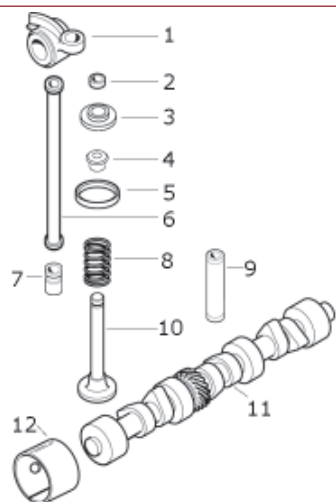
6 Top Gasket Set		1930260	S.62104
7 Complete Gasket Set		1909563	S.62085
8 Rocker Cover Gasket		4782836	S.62126
9 Head Gasket			
10 Sump Gasket		1940004	S.62114



1 Main Bearings (1 pair)	Standard	1930176	S.62049
	0,25"	1930177	S.62345
	0,50"	1930178	S.62454
2 Conrod Bearings (1 pair)	Standard	1930181	S.62043
	0,25"	1930182	S.62044
	0,50"	1930183	S.62451
3 Thrust Washers (1 set)	Standard	1901385	S.62053
	0,25"	1901386	S.58945
4 Crankshaft		4785110	S.59052
5 Front Oil Seal		98461684	S.62068
6 Rear Oil Seal		98461686	S.62073



1 Conrod		4780624	S.58941
2 Small End Bush	38mm	4766404	S.62038
3 Conrod Bolt			
4 Conrod Nut			



1 Rocker Arm			
Rocker Arm Shaft			
2 Collet		14196670	S.59051
3 Valve Retainer			
4 Valve Stem Seal			
5 Inlet Valve Insert			
Exhaust Valve Insert			
6 Push Rod			
7 Tappet/Cam Follower			
8 Inlet Valve Spring		4780108	S.62066
Exhaust Valve Spring		4780108	S.62066
9 Inlet/Exhaust Valve Guide		4802126	S.62062
10 Inlet Valve		4824417	S.62057
Exhaust Valve		4784889	S.62060
11 Camshaft			
12 Camshaft Bush Set		4603449	S.62121



13 Oil Pump		4705827	S.62133
14 Fuel Pump		4757883	S.63039
15 Water Pump		4813370	S.63052

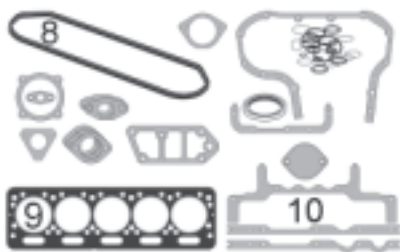
Fiatagri

Engine	Liner mm			Piston mm			Additional information
	Cyl.	Bore	Height	Pin	Height	Rings	
8055.04	5	103,00	187,00	34	101,15	3	Semi Finished Liner

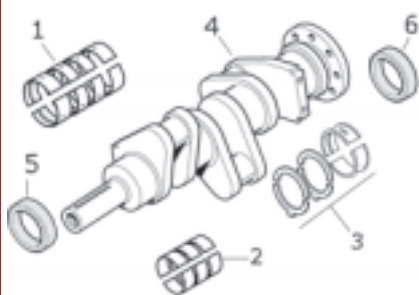
Models: 880/5



Description	Remarks	Replaces	Sparex
1 Piston and Liner Set (per Cyl.)		Order Components	
2 Liner	Semi Finished	4679201	S.62339
3 Piston and Rings		1902430	S.62024
4 Ring Set		1909234	S.62030



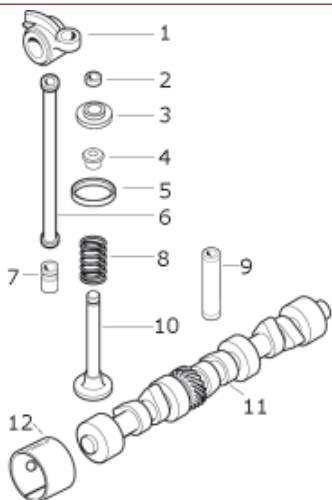
6 Top Gasket Set		1930274	S.62108
7 Complete Gasket Set		1930273	S.62107
8 Rocker Cover Gasket		4845137	S.62130
9 Head Gasket			
10 Sump Gasket		1940007	S.62117



1 Main Bearings (1 pair)	Standard	1901803	S.62047
	0,25"	1901804	S.62048
2 Conrod Bearings (1 pair)	Standard	1901609	S.62041
	0,25"	1901610	S.62042
3 Thrust Washers (1 set)	Standard	1901377	S.62575
	0,25"	1901378	S.58946
4 Crankshaft			
5 Front Oil Seal			
6 Rear Oil Seal			



1 Conrod		4679221	S.58940
2 Small End Bush	34mm	4754066	S.62039
3 Conrod Bolt			
4 Conrod Nut			



1 Rocker Arm			
Rocker Arm Shaft			
2 Collet		14196670	S.59051
3 Valve Retainer			
4 Valve Stem Seal			
5 Inlet Valve Insert			
Exhaust Valve Insert			
6 Push Rod			
7 Tappet/Cam Follow er			
8 Inlet Valve Spring		4689554	S.62065
Exhaust Valve Spring		4689554	S.62065
9 Inlet/Exhaust Valve Guide		4802126	S.62062
10 Inlet Valve		4802200	S.62056
Exhaust Valve		4673608	S.62059
11 Camshaft			
12 Camshaft Bush Set		4603448	S.62122



13 Oil Pump		4770250	S.62351
14 Fuel Pump		4757884	S.63040
15 Water Pump		4679242	S.63049

Fiatagri

Engine	Liner mm			Piston mm			Additional information
	Cyl.	Bore	Height	Pin	Height	Rings	
8055.05	5	104,00	198,00	38	108,5	3	Semi Finished Liner

Models: 90-90

Sparex

Case IH

David Brown

Deutz

Fendt

Fiatagri

Ford

John Deere

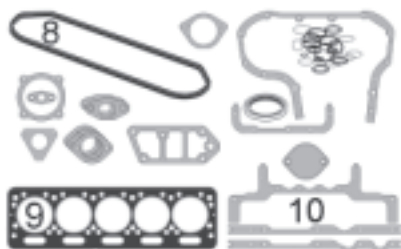
M F

Renault

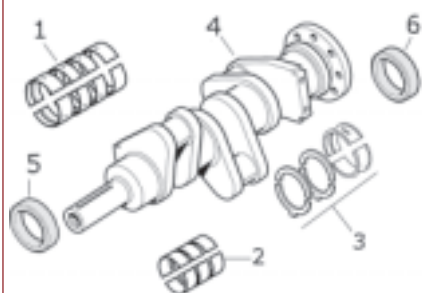
Zetor



Description	Remarks	Replaces	Sparex
1 Piston and Liner Set (per Cyl.)		Order Components	
2 Liner	Semi Finished	4770623	S.62035
3 Piston and Rings		1930186	S.62023
4 Ring Set		1930191	S.62029



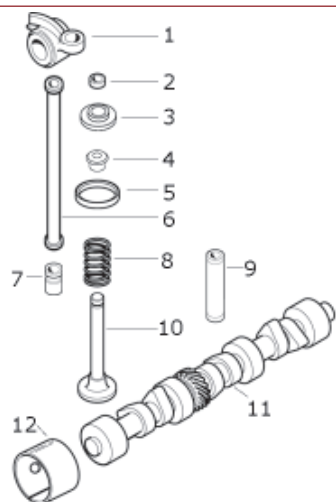
6 Top Gasket Set		1930274	S.62108
7 Complete Gasket Set		1930273	S.62107
8 Rocker Cover Gasket		4845137	S.62130
9 Head Gasket			
10 Sump Gasket		1940007	S.62117



1 Main Bearings (1 pair)	Standard	1930176	S.62049
	0,25"	1930177	S.62345
	0,50"	1930178	S.62454
2 Conrod Bearings (1 pair)	Standard	1930181	S.62043
	0,25"	1930182	S.62044
	0,50"	1930183	S.62451
3 Thrust Washers (1 set)	Standard	1901385	S.62053
	0,25"	1901386	S.58945
4 Crankshaft			
5 Front Oil Seal			
6 Rear Oil Seal			



1 Conrod		4780624	S.58941
2 Small End Bush	38mm	4766404	S.62038
3 Conrod Bolt			
4 Conrod Nut			



1 Rocker Arm			
Rocker Arm Shaft			
2 Collet		14196670	S.59051
3 Valve Retainer			
4 Valve Stem Seal			
5 Inlet Valve Insert			
Exhaust Valve Insert			
6 Push Rod			
7 Tappet/Cam Follower			
8 Inlet Valve Spring		4780108	S.62066
Exhaust Valve Spring		4780108	S.62066
9 Inlet/Exhaust Valve Guide		4802126	S.62062
10 Inlet Valve		4824417	S.62057
Exhaust Valve		4784889	S.62060
11 Camshaft			
12 Camshaft Bush			



13 Oil Pump		4770250	S.62351
14 Fuel Pump		4757884	S.63040
15 Water Pump		4813370	S.63052

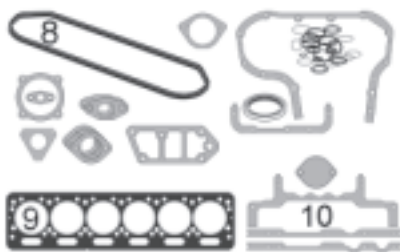
Fiatagri

Engine	Liner mm			Piston mm			Additional information
	Cyl.	Bore	Height	Pin	Height	Rings	
8065.01	6	95,00	187,00	32	101,15	3	Semi Finished Liner

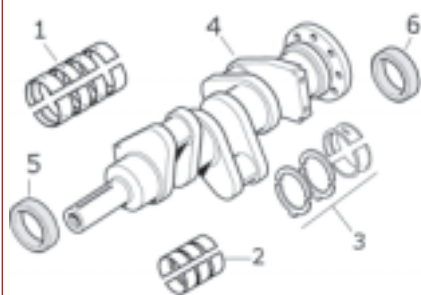
Models: 900



Description	Remarks	Replaces	Sparex
1 Piston and Liner Set (per Cyl.)		Order Components	
2 Liner	Semi Finished	4599351	S.62032
3 Piston and Rings		1900691	S.62020
4 Ring Set		1901496	S.62026



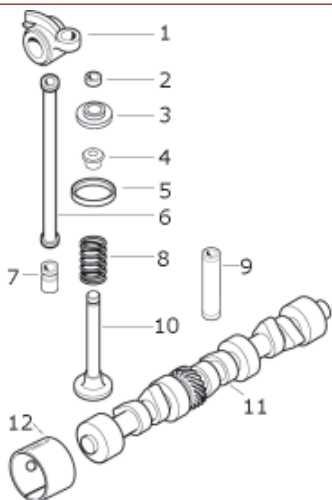
6 Top Gasket Set		4601063	S.59027
7 Complete Gasket Set			
8 Rocker Cover Gasket		4601052	S.59028
9 Head Gasket			
10 Sump Gasket		1940005	S.62116



1 Main Bearings (1 pair)	Standard	1901803	S.62047
	0,25"	1901804	S.62048
2 Conrod Bearings (1 pair)	Standard	1901609	S.62041
	0,25"	1901610	S.62042
3 Thrust Washers (1 set)	Standard	1909996	S.62052
	0,25"	1909997	S.58943
4 Crankshaft			
5 Front Oil Seal		98461684	S.62068
6 Rear Oil Seal		40000720	S.62071



1 Conrod		4637680	S.61994
2 Small End Bush	32mm	4555699	S.62037
3 Conrod Bolt			
4 Conrod Nut			



1 Rocker Arm			
2 Rocker Arm Shaft			
3 Collet		14196670	S.59051
4 Valve Retainer			
5 Inlet Valve Insert			
6 Push Rod			
7 Tappet/Cam Follow er			
8 Inlet Valve Spring			
9 Exhaust Valve Spring			
10 Inlet Valve			
11 Exhaust Valve			
12 Camshaft Bush Set		4603448	S.62122



13 Oil Pump			
14 Fuel Pump			
15 Water Pump		4679242	S.63049

Fiatagri

Engine	Liner mm			Piston mm			Additional information
	Cyl.	Bore	Height	Pin	Height	Rings	
8065.02	6	100,00	187,00	32/34	101,15	3	Semi Finished Liner

Models: 980, 1000

Sparex

Case IH

David Brown

Deutz

Fendt

Fiatagri

Ford

John Deere

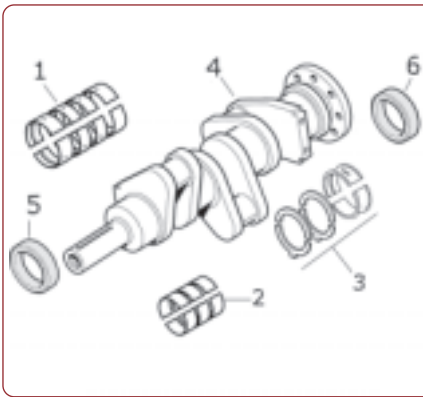
M F

Renault

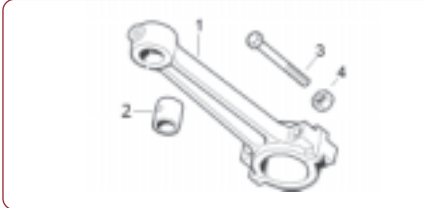
Zetor



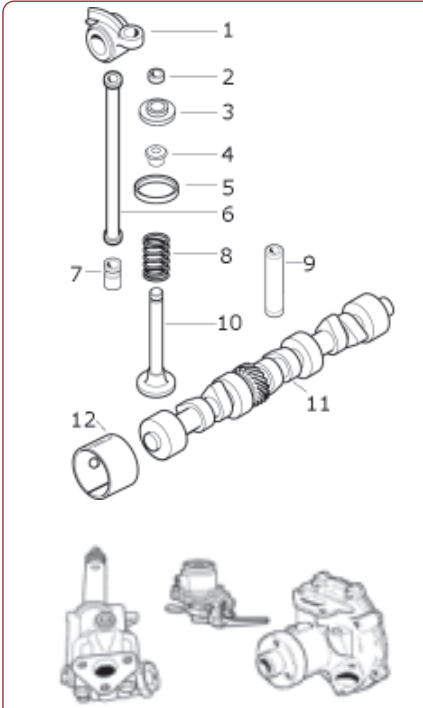
Description	Remarks	Replaces	Sparex
1 Piston and Liner Set (per Cyl.)		Order Components	
2 Liner	32 mm	4653280	S.62033
3 Piston and Rings	Gudgeon Pin	79037500	S.62021
4 Ring Set		1909172	S.62027
1 Piston and Liner Set (per Cyl.)		Order Com	
2 Liner	34 mm	4653280	S.62033
3 Piston	Gudgeon Pin	1908745	S.62019
4 Ring Set		1930169	S.62028
6 Top Gasket Set		1909613	S.62094
7 Complete Gasket Set		1909612	S.62093
8 Rocker Cover Gasket		4628453	S.62131
9 Head Gasket		98472010	S.59011
10 Sump Gasket		1940005	S.62116



1 Main Bearings (1 pair)	Standard	1901803	S.62047
	0,25"	1901804	S.62048
	0,50"	1901805	S.62453
2 Conrod Bearings (1 pair)	Standard	1901609	S.62041
	0,25"	1901610	S.62042
	0,50"	1901611	S.62450
3 Thrust Washers (1 set)	Standard	1901377	S.62575
	0,25"	1901378	S.58946
4 Crankshaft			
5 Front Oil Seal		98461684	S.62068
6 Rear Oil Seal		40002811	S.62070



1 Conrod	32mm	4637680	S.61994
	34mm	4679221	S.58940
2 Small End Bush	32mm	4555699	S.62037
	34mm	4754066	S.62039



1	Rocker Arm		
	Rocker Arm Shaft		
2	Collet	14196670	S.59051
3	Valve Retainer		
4	Valve Stem Seal		
5	Inlet Valve Insert		
	Exhaust Valve Insert		
6	Push Rod		
7	Tappet/Cam Follow er		
8	Inlet Valve Spring	4689554	S.62065
	Exhaust Valve Spring	4689554	S.62065
9	Inlet/Exhaust Valve Guide	4802126	S.62062
10	Inlet Valve	4802200	S.62056
	Exhaust Valve	4673608	S.62059
11	Camshaft		
12	Camshaft Bush Set	4603448	S.62122
13	Oil Pump		
14	Fuel Pump	4757884	S.63040
15	Water Pump	4679242	S.63049

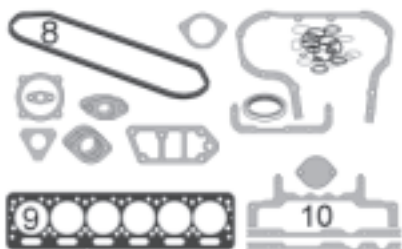
Fiatagri

Engine	Liner mm			Piston mm			Additional information
	Cyl.	Bore	Height	Pin	Height	Rings	
8065.04	6	103,00	187,00	34	101,15	3	Semi Finished Liner

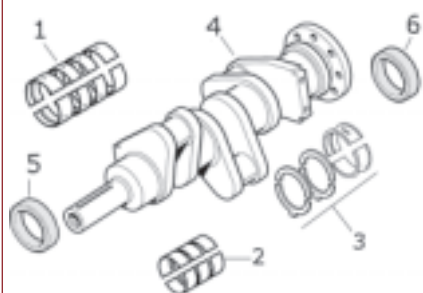
Models: 1000S, 1180



Description	Remarks	Replaces	Sparex
1 Piston and Liner Set (per Cyl.)		Order Components	
2 Liner	Semi Finished	4679201	S.62339
3 Piston and Rings		1902430	S.62024
4 Ring Set		1909234	S.62030



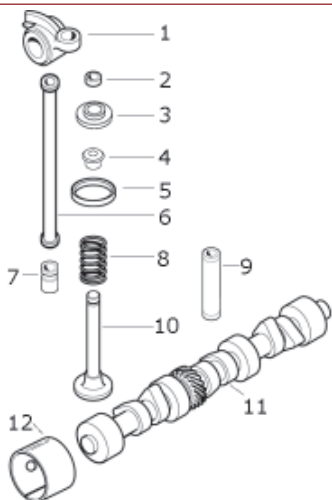
6 Top Gasket Set		1909726	S.62097
7 Complete Gasket Set		1909543	S.62096
8 Rocker Cover Gasket		4628453	S.62131
9 Head Gasket			
10 Sump Gasket		1940005	S.62116



1 Main Bearings (1 pair)	Standard	1901803	S.62047
	0,25"	1901804	S.62048
2 Conrod Bearings (1 pair)	Standard	1901609	S.62041
	0,25"	1901610	S.62042
3 Thrust Washers (1 set)	Standard	1901377	S.62575
	0,25"	1901378	S.58946
4 Crankshaft			
5 Front Oil Seal		98461684	S.62068
6 Rear Oil Seal		40002811	S.62070



1 Conrod			
2 Small End Bush	34mm	4754066	S.62039
3 Conrod Bolt			
4 Conrod Nut			



1 Rocker Arm			
Rocker Arm Shaft			
2 Collet		14196670	S.59051
3 Valve Retainer			
4 Valve Stem Seal			
5 Inlet Valve Insert			
Exhaust Valve Insert			
6 Push Rod			
7 Tappet/Cam Follow er			
8 Inlet Valve Spring		4689554	S.62065
Exhaust Valve Spring		4689554	S.62065
9 Inlet/Exhaust Valve Guide		4802126	S.62062
10 Inlet Valve		4802200	S.62056
Exhaust Valve		4673608	S.62059
11 Camshaft			
12 Camshaft Bush Set		4603448	S.62122



13 Oil Pump			
14 Fuel Pump		4757884	S.63040
15 Water Pump		4679242	S.63049

Fiatagri

Engine	Liner mm			Piston mm			Additional information
	Cyl.	Bore	Height	Pin	Height	Rings	
8065.05	6	104,00	198,00	38	108,5	3	Semi Finished Liner

Models: 115-90, F100, F110, F115, F120

Sparex

Case IH

David Brown

Deutz

Fendt

Fiatagri

Ford

John Deere

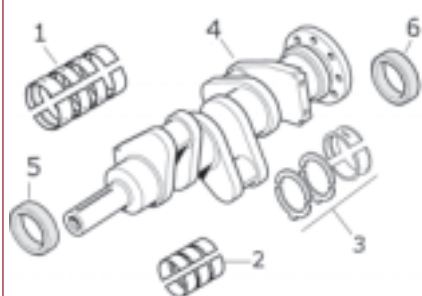
M F

Renault

Zetor



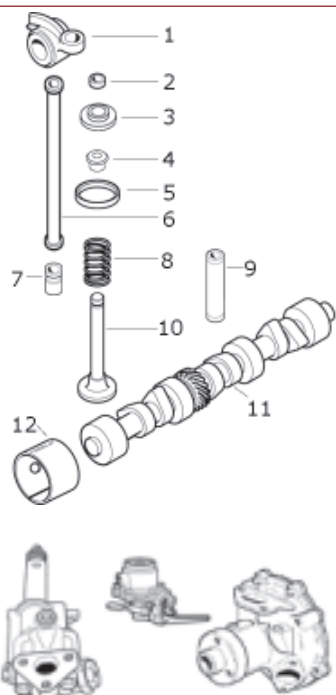
Description	Remarks	Replaces	Sparex
1 Piston and Liner Set (per Cyl.)		Order Components	
2 Liner	Semi Finished	4770623	S.62035
3 Piston and Rings		1930186	S.62023
4 Ring Set		1930191	S.62029
6 Top Gasket Set		1930199	S.62112
7 Complete Gasket Set		1930197	S.62111
8 Rocker Cover Gasket		4628453	S.62131
9 Head Gasket			
10 Sump Gasket		1940002	S.62115



1 Main Bearings (1 pair)	Standard	1930176	S.62049
	0,25"	1930177	S.62345
	0,50"	1930178	S.62454
2 Conrod Bearings (1 pair)	Standard	1930181	S.62043
	0,25"	1930182	S.62044
	0,50"	1930183	S.62451
3 Thrust Washers (1 set)	Standard	1901385	S.62053
	0,25"	1901386	S.58945
4 Crankshaft			
5 Front Oil Seal		98461684	S.62068
6 Rear Oil Seal		98461686	S.62073



1 Conrod		4780624	S.58941
2 Small End Bush	38mm	4766404	S.62038
3 Conrod Bolt			
4 Conrod Nut			



1 Rocker Arm			
Rocker Arm Shaft			
2 Collet		14196670	S.59051
3 Valve Retainer			
4 Valve Stem Seal			
5 Inlet Valve Insert			
Exhaust Valve Insert			
6 Push Rod			
7 Tappet/Cam Follower			
8 Inlet Valve Spring		4780108	S.62066
Exhaust Valve Spring		4780108	S.62066
9 Inlet/Exhaust Valve Guide		4802126	S.62062
10 Inlet Valve		4824417	S.62057
Exhaust Valve		4784889	S.62060
11 Camshaft			
12 Camshaft Bush Set		4603448	S.62122
13 Oil Pump		4770250	S.62351
14 Fuel Pump		98419724	S.62367
15 Water Pump		4813370	S.63052

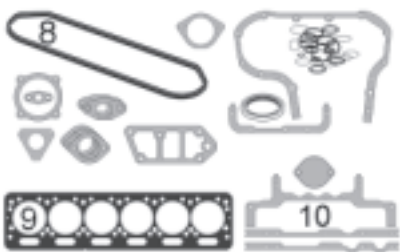
Fiatagri

Engine	Liner mm			Piston mm			Additional information
	Cyl.	Bore	Height	Pin	Height	Rings	
8065.06	6	100,00	196,00	38	108,5	3	Semi Finished Liner

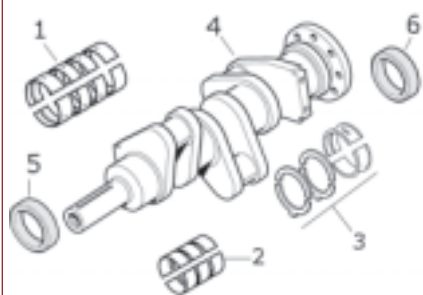
Models: 100-90, 110-90



Description	Remarks	Replaces	Sparex
1 Piston and Liner Set (per Cyl.)		Order Components	
2 Liner	Semi Finished	4770654	S.62034
3 Piston and Rings		1930241	S.62022
4 Ring Set		1930169	S.62028



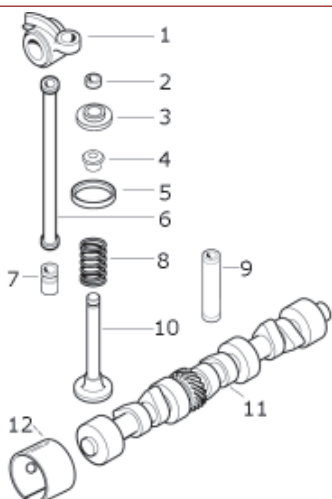
6 Top Gasket Set		1930279	S.62110
7 Complete Gasket Set		1930278	S.62109
8 Rocker Cover Gasket		4628453	S.62131
9 Head Gasket			
10 Sump Gasket		1940005	S.62116



1 Main Bearings (1 pair)	Standard	1930176	S.62049
	0,25"	1930177	S.62345
2 Conrod Bearings (1 pair)	Standard	1930181	S.62043
	0,25"	1930182	S.62044
3 Thrust Washers (1 set)	Standard	1901385	S.62053
	0,25"	1901386	S.58945
4 Crankshaft			
5 Front Oil Seal		98461684	S.62068
6 Rear Oil Seal		98461686	S.62073



1 Conrod		4780624	S.58941
2 Small End Bush	38mm	4766404	S.62038
3 Conrod Bolt			
4 Conrod Nut			



1 Rocker Arm			
Rocker Arm Shaft			
2 Collet		14196670	S.59051
3 Valve Retainer			
4 Valve Stem Seal			
5 Inlet Valve Insert			
Exhaust Valve Insert			
6 Push Rod			
7 Tappet/Cam Follow er			
8 Inlet Valve Spring		4780108	S.62066
Exhaust Valve Spring		4780108	S.62066
9 Inlet/Exhaust Valve Guide		4802126	S.62062
10 Inlet Valve		4824417	S.62057
Exhaust Valve		4784889	S.62060
11 Camshaft			
12 Camshaft Bush Set		4603448	S.62122



13 Oil Pump		4770250	S.62351
14 Fuel Pump		4757884	S.63040
15 Water Pump		4813370	S.63052

Fiatagri

Engine	Liner mm			Piston mm			Additional information
	Cyl.	Bore	Height	Pin	Height	Rings	
OM CN3	3	110,00	235,00	40	140,2	4	Semi Finished Liner

Models: 650, 650S

Sparex

Case IH

David Brown

Deutz

Fendt

Fiatagri

Ford

John Deere

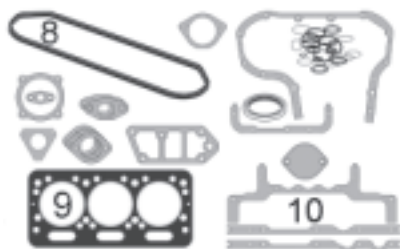
M F

Renault

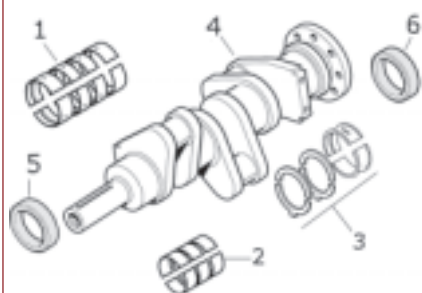
Zetor



Description	Remarks	Replaces	Sparex
1 Piston and Liner Set (per Cyl.)		Order Components	
2 Liner	Semi Finished	8815939	S.62036
3 Piston and Rings		1901209	S.62334
4 Ring Set		1901481	S.62031



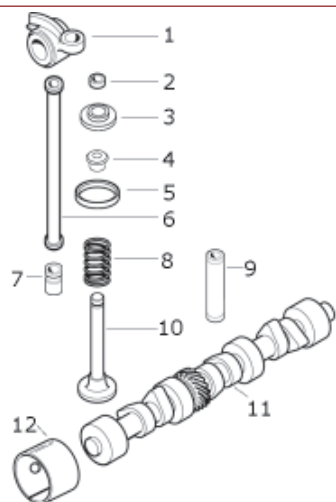
6 Top Gasket Set		1909566	S.59070
7 Complete Gasket Set		1940076	S.59069
8 Rocker Cover Gasket			
9 Head Gasket			
10 Sump Gasket			



1 Main Bearings (1 set)	Standard 0,25" 0,50"	1901250 1901251	S.62050 S.62051
2 Conrod Bearings (1 pair)	Standard 0,25" 0,50"	1901614 1901615 1901616	S.62045 S.62046 S.62452
3 Thrust Washers (1 set)	Standard	1901624	S.62054
4 Crankshaft			
5 Front Oil Seal		40101393	S.62069
6 Rear Oil Seal		8828172	S.58986



1 Conrod			
2 Small End Bush	40mm	8816453	S.62040
3 Conrod Bolt			
4 Conrod Nut			



1 Rocker Arm			
Rocker Arm Shaft			
2 Collet			
3 Valve Retainer			
4 Valve Stem Seal			
5 Inlet Valve Insert			
Exhaust Valve Insert			
6 Push Rod			
7 Tappet/Cam Follow er			
8 Inlet Valve Spring			
Exhaust Valve Spring			
9 Inlet/Exhaust Valve Guide		4758794	S.62063
10 Inlet Valve		8823545	S.62058
Exhaust Valve		8823544	S.62061
11 Camshaft			
12 Camshaft Bush Set			



13 Oil Pump			
14 Fuel Pump			
15 Water Pump		8829787	S.63050

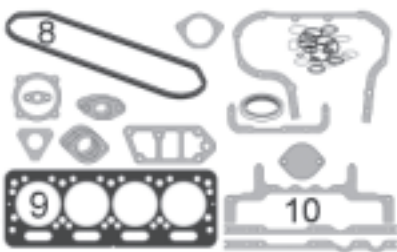
Fiatagri

Engine	Liner mm			Piston mm			Additional information
	Cyl.	Bore	Height	Pin	Height	Rings	
OM CO3	4	110,00	235,00	40	150/140	4	Semi Finished Liner

Models: 750, 750S, 850, 850S, 880

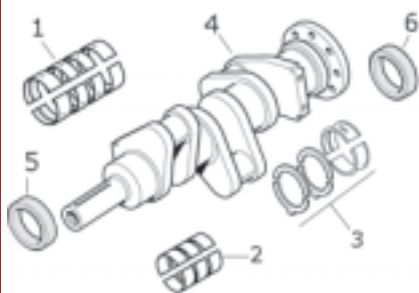


Description	Remarks	Replaces	Sparex
1 Piston and Liner Set (per Cyl.)		Order Components	
2 Liner	Piston height	8815939	S.62036
3 Piston and Rings	150,20 mm	1909211	S.62025
4 Ring Set		1901481	S.62031



Description	Remarks	Replaces	Sparex
1 Piston and Liner Set (per Cyl.)		Order Components	
2 Liner	Piston height	8815939	S.62036
3 Piston and Rings	140,20 mm	1901209	S.62334
4 Ring Set		1901481	S.62031

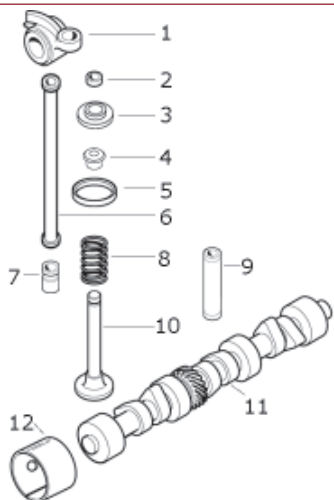
6 Top Gasket Set		1909574	S.62088
7 Complete Gasket Set		1909573	S.62087
8 Rocker Cover Gasket		8816531	S.62129
9 Head Gasket			
10 Sump Gasket			



1 Main Bearings (1 set)	Standard	1901250	S.62050
	0,25"	1901251	S.62051
	0,50"		
2 Conrod Bearings (1 pair)	Standard	1901614	S.62045
	0,25"	1901615	S.62046
	0,50"	1901616	S.62452
3 Thrust Washers (1 set)	Standard	1901624	S.62054
4 Crankshaft			
5 Front Oil Seal		40101393	S.62069
6 Rear Oil Seal		8828172	S.58986



1 Conrod			
2 Small End Bush			
3 Conrod Bolt			
4 Conrod Nut			



1 Rocker Arm			
2 Rocker Arm Shaft			
3 Valve Retainer			
4 Valve Stem Seal			
5 Inlet Valve Insert			
6 Push Rod			
7 Tappet/Cam Follow er			
8 Inlet Valve Spring			
Exhaust Valve Spring			
9 Inlet/Exhaust Valve Guide		4758794	S.62063
10 Inlet Valve		8823545	S.62058
Exhaust Valve		8823544	S.62061
11 Camshaft			
12 Camshaft Bush Set			



13 Oil Pump			
14 Fuel Pump	Only 880	4757884	S.63040
15 Water Pump	Only 880	8829790	S.63051
		8829787	S.63050

Fiatagri

Engine	Liner mm			Piston mm			Additional information
	Cyl.	Bore	Height	Pin	Height	Rings	
OM CP3	6	110,00	235,00	40	140,2	4	Semi Finished Liner

Models: 1300, 1300S

Sparex

Case IH

David Brown

Deutz

Fendt

Fiatagri

Ford

John Deere

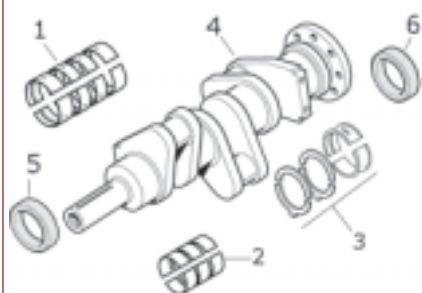
M F

Renault

Zetor



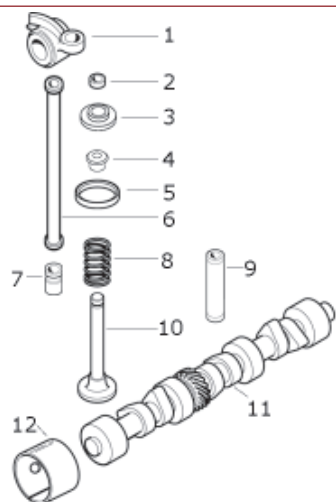
Description	Remarks	Replaces	Sparex
1 Piston and Liner Set (per Cyl.)		Order Components	
2 Liner	Semi Finished	8815939	S.62036
3 Piston and Rings		1901209	S.62334
4 Ring Set		1901481	S.62031
6 Top Gasket Set		1909546	S.59149
7 Complete Gasket Set		1909545	S.59148
8 Rocker Cover Gasket			
9 Head Gasket			
10 Sump Gasket			



1 Main Bearings (1 set) for 6 Cyl. Order 2 sets	Standard 0,25" 0,50"	1901250 1901251	S.62050 S.62051
2 Conrod Bearings (1 pair)	Standard 0,25" 0,50"	1901614 1901615 1901616	S.62045 S.62046 S.62452
3 Thrust Washers (1 set)	Standard	1901624	S.62054
4 Crankshaft			
5 Front Oil Seal		40101393	S.62069
6 Rear Oil Seal		8828172	S.58986



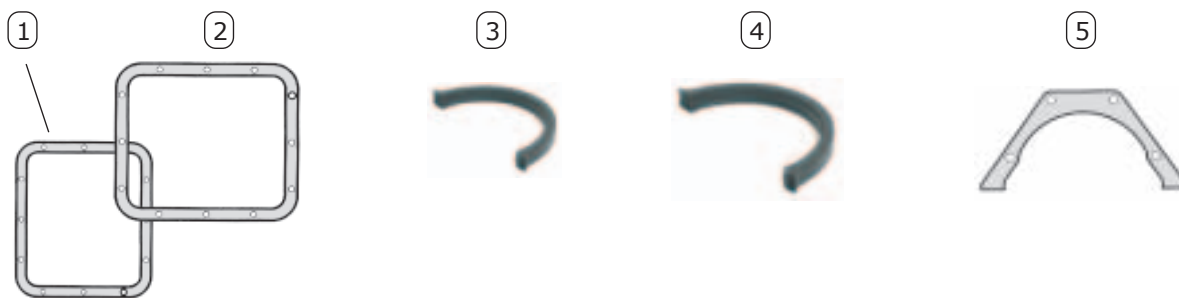
1 Conrod			
2 Small End Bush	40mm	8816453	S.62040
3 Conrod Bolt			
4 Conrod Nut			



1 Rocker Arm			
Rocker Arm Shaft			
2 Collet			
3 Valve Retainer			
4 Valve Stem Seal			
5 Inlet Valve Insert			
Exhaust Valve Insert			
6 Push Rod			
7 Tappet/Cam Follow er			
8 Inlet Valve Spring			
Exhaust Valve Spring			
9 Inlet/Exhaust Valve Guide		4758794	S.62063
10 Inlet Valve		8823545	S.62058
Exhaust Valve		8823544	S.62061
11 Camshaft			
12 Camshaft Bush Set			



13 Oil Pump			
14 Fuel Pump			
15 Water Pump			



Gaskets

Description	Models	Engine	Replaces	Sparex
1 Sump Gasket	450, 460, 470, 480, 500, 540		4602067	S.62118
2 Sump Gasket	550 to 780, 65.66 to 88.94		4602299	S.62119
3 Front Crankshaft Seal	All Models		4031577	S.62074
4 Rear Crankshaft Seal	All Models		4600753	S.62075
5 Rear Cover Gasket	450, 480, 500, 540, 550, 600, 640		4607511	S.59075

Injector Nozzles



Models	Replaces	Sparex
350, 450, 550	767104	S.62353
400, 450, 500, 600, 1000	769203	S.62354
480, 566, 640, 666, 880, 980, 1180, 1380	4760843	S.62355
650, 750, 850	4763930	S.62356
1580, 1880, 160.90, 180.90	4750505	S.62357
45.66, 55.66, 55.90, 70.66, 70.90, 100.90, L65	4792443	S.62358
60.66 to 90, 115.90 to 140.90, L60, L75	4800030	S.62359



Heater Plugs

Description	Replaces	Sparex
Heater Plug 12 Volt	5161845 5155859 5141702	S.62361

Case IH

David Brown

Deutz

Fendt

Fiatagri

Ford

John Deere

M F

Renault

Zetor



Starter Ring Gears

Models	Replaces	Sparex
411R, 415	893322	S.58965
460, 470	4988553	S.59153
446, 466, 500 to 1180, 45.66 to 88.94, L60, 65, 75, 85, 95	4602143	S.62055
G170, 190, 210, 240, M100, 115, 135, 160	83949153	S.65743



Exhaust Gaskets

Models	Description	Replaces	Sparex
1 450 to 766 45-66 to 82-94	Double Manifold Gasket	4776544	S.69823
2 3 Cylinder Models	Inlet Gasket	4602162	S.59068
3 3 Cylinder Models	Manifold Gasket for 3-Cyl.	4601981	S.62446
4 450 to 640 55-66 to 82-93	Exhaust Elbow Gasket 90°	5118183	S.62152
5 880	Exhaust Elbow Gasket (Round Type)	38824956	S.62825
6 880	Exhaust Elbow Gasket (Oval Type)	38823365	S.59047



Case IH

David Brown

Deutz

Fendt

Fiatagri

Ford

John Deere

M F

Renault

Zetor



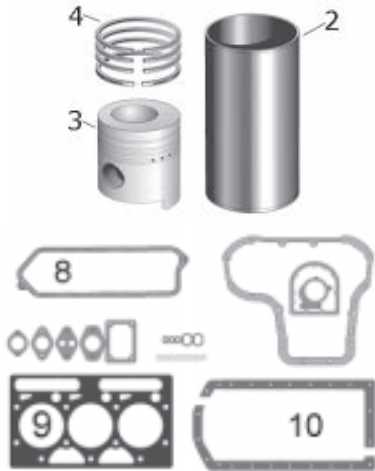
Tractor Model to Engine Index

Case IH	Tractor	Engine	Cyl	Page	Tractor	Engine	Cyl	Page	Tractor	Engine	Cyl	Page
	Dexta	A3.144	3	115	5900	BSD442	4	128	TS100	Pow erStar 5.0T	4	141
	Super Dexta	A3.152	3	116	6000				TS110	Pow erStar 5.0T	4	141
	Major	220	4	117	6410	BSD444	4	130	TS115	Pow erStar 7.5	6	143
	POWER Major	220	4	118	6600	BSD444	4	130	TS80	Pow erStar 5.0	4	140
David Brown	Super Major	220	4	118	6610	BSD444	4	130	TS90	Pow erStar 5.0	4	140
	2000	BSD326	3	120	6635	8045,25	4	146	TW10	BSD666	6	136
	2310	BSD326	3	120	6640	Pow erStar 5.0	4	140	TW15	BSD666T	6	138
	2600	BSD326	3	120	6700	BSD444	4	130	TW20	BSD666T	6	138
Deutz	2610	BSD329	3	120	6710	BSD444	4	130	TW25	BSD666T	6	138
	2810	BSD326	3	120	6810	BSD444T	4	133	TW30	BSD666TI	6	138
	2910	BSD329	3	120	7000	BSD444T	4	133	TW35	BSD666TI	6	138
	3000	BSD329	3	120	7100	BSD444T	4	133	TW5	BSD666	6	136
	3055				7200	BSD444T	4	133	Industrial			
	3230	BSD332	3	122	7410	BSD444T	4	133	231	BSD326	3	120
Fendt	3430	BSD332	3	122	7600	BSD444T	4	133	233	BSD326	3	120
	3435	8035,06	3	145	7610	BSD444T	4	133	234	BSD329	3	120
	3550				7635	8045,25	4	146	333	BSD326	3	120
	3600	BSD329	3	120	7700	BSD444T	4	133	334	BSD332	3	122
	3610	BSD329	3	120	7710	BSD444T	4	133	335	BSD326	3	120
Fiatagri	3610	BSD332	3	122	7740	Pow erStar 5.0T	4	141	340			
	3900	BSD332	3	122	7810	BSD666	6	136	345			
	3910	BSD332	3	122	7840	Pow erStar 6.6	6	142	420	32D		3
	3930	BSD333	3	124	7910	BSD666	6	136	445			
	3935	8035,06	3	145	8000	BSD666	6	136	455			
Ford	4000	BSD333	3	124	8100	380		6	515	BSD333	3	124
	4100	BSD333	3	124	8160	Pow erStar 7.5	6	143	531			
	4110	BSD333	3	124	8200	BSD666	6	136	532	BSD333	3	124
	4130	BSD333	3	124	8210	BSD666	6	136	535	BSD333	3	124
	4135	8035,06	3	145	8240	Pow erStar 7.5	6	143	540			
	4200	BSD333	3	124	8260	Pow erStar 7.5	6	143	545			
John Deere	4330	BSD333	3	124	8340	Pow erStar 7.5	6	143	550	BSD333	3	124
	4600	BSD333	3	124	8340	Pow erStar 7.5T	6	144	555	BSD333	3	124
	4610	BSD333	3	124	8360	Pow erStar 7.5T	6	144	655	BSD444	4	130
	4630	BSD333	3	124	8400	BSD666	6	136	8401	BSD666	6	136
	4635	8035,05	3	145	8530	BSD666	6	136	230A	BSD329	3	120
M F	4830	BSD442	4	128	8560	Pow erStar 7.5T	6	144	3910H	BSD332	3	122
	4835	8045,06	4	146	8600	BSD666	6	136	3930H	BSD332	3	122
	5000 / 5600	BSD438	4	126	8630	BSD666T	6	138	4130H	BSD333	3	124
	5000	BSD442	4	128	8670	Pow erStar 7.5T	6	144	4610H	BSD333	3	124
	5030	BSD442	4	128	8700	BSD666	6	136	530A			
Renault	5100	BSD442	4	128	8730	BSD666T	6	138	555A	BSD333	3	124
	5110	BSD442	4	128	8770	Pow erStar 7.5T	6	144	555B	BSD333	3	124
	5200	BSD442	4	128	8830	BSD666TI	6	138	555C	BSD444	4	130
	5600	BSD442	4	128	8870	Pow erStar 7.5T	6	144	5610H	BSD442	4	128
	5610	BSD442	4	128	8970	Pow erStar 7.5TI	6		655A	BSD444	4	130
	5635	8045,05	4	146	9000	BSD666T	6	138	655C	BSD444	4	130
Zetor	5640	Pow erStar 4.4	4	139	9200	BSD666T	6	138	655D	BSD444	4	130
	5700	BSD442	4	128	9600	BSD666T	6	138	6610H	BSD444	4	130
	5710				9700	BSD666T	6	138				

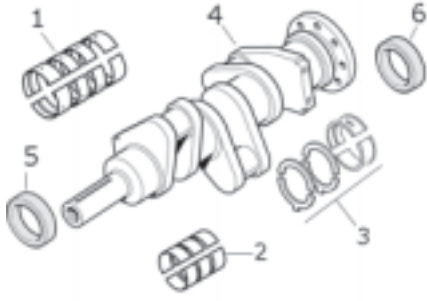
Ford

Engine	Liner mm			Piston mm			Additional information	
	Perkins	Cyl.	Bore	Height	Pin	Height		Rings
A3.144		3	88,14	215,80	31,75	88,39	5	Liner Semi-Finished

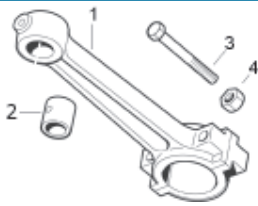
Models: Dexta



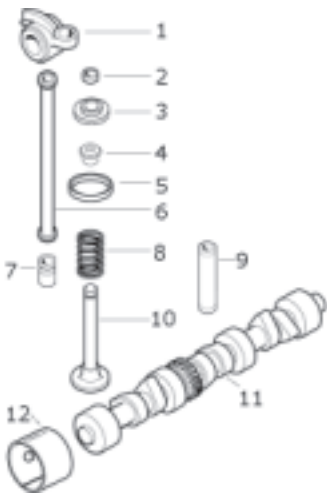
Description	Remarks	Replaces	Sparex
1 Piston and Liner Set (per Cyl.)			S.66663
2 Liner	Semi Finished	81803819	S.75967
3 Piston		81803864	S.40404
4 Ring Set		81717647	S.40418
6 Top Gasket Set		957E6008	S.40588
7 Complete Gasket Set		960E6C037	S.66827
8 Rocker Cover Gasket		81717801	S.40630
9 Head Gasket		81803798	S.40619
10 Sump Gasket			



1 Main Bearings (1 set)	Standard		S.40331
	0,010"		S.40332
	0,020"		S.40333
	0,030"		S.40334
2 Conrod Bearings (1 set)	Standard	81717671	S.40315
	0,010"	81803985	S.40316
	0,020"	81803986	S.40317
	0,030"	81803987	S.40318
3 Thrust Washers (1 set)	Standard	81717707	S.40343
	0,0075"	81717708	S.40344
4 Crankshaft		957E6303	S.40309
5 Front Oil Seal		81717731	S.65980
6 Rear Oil Seal		81717827	S.40354



1 Conrod	81803971	S.40357
2 Small End Bush	81803978	S.40360
3 Conrod Bolt and Nut	81803991	S.40362
4 Conrod Nut	390655S2	S.41328



1 Rocker Arm		
Rocker Arm Shaft		
2 Collet	957E6518	S.41412
3 Valve Retainer		
4 Valve Stem Seal		
5 Inlet Valve Insert		
Exhaust Valve Insert		
6 Push Rod		
7 Tappet/Cam Follow er	81804255	S.41345
8 Inner Valve Spring	81804285	S.40500
Outer Valve Spring	81804295	S.40505
9 Inlet/Exhaust Valve Guide	81804289	S.40495
10 Inlet Valve	81717769	S.40475
Exhaust Valve	81717764	S.40485
11 Camshaft	957E6250	S.41507
12 Camshaft Bush		



13 Oil Pump	81804347	S.5934
14 Fuel Pump	81718195	S.60443
15 Water Pump - Single Pulley	81718104	S.65014

Sparex

Case IH

David Brown

Deutz

Fendt

Fiatagri

Ford

John Deere

M F

Renault

Zetor

These parts are Sparex parts and are not manufactured by the Original Equipment Manufacturer. Original names, part numbers and descriptions are quoted for reference purposes only and are not intended to indicate or suggest that our replacement parts are made by the OEM.

Ford	Engine	Liner mm			Piston mm			Additional information
	Perkins	Cyl.	Bore	Height	Pin	Height	Rings	
	A3.152	3	91,49	215,77	31,75	90,93	5	Liner Semi-Finished
Models: Super Dexta								



Description	Remarks	Replaces	Sparex
1 Piston and Liner Set (per Cyl.)			S.66664
2 Liner	Semi Finished	81803820	S.75968
3 Piston		81803866	S.40403
4 Ring Set		81803866	S.41323
6 Top Gasket Set		957E6008	S.40588
7 Complete Gasket Set		960E6C037	S.66827
8 Rocker Cover Gasket		81717801	S.40630
9 Head Gasket		81803798	S.40619
10 Sump Gasket			

Case IH

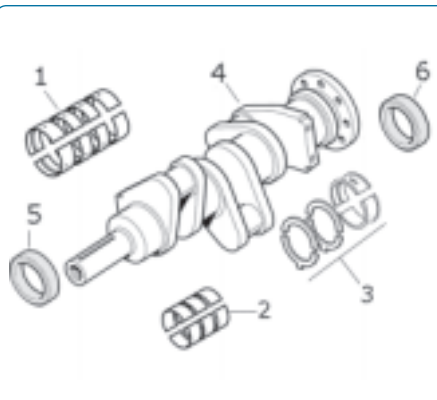
David Brown

Deutz

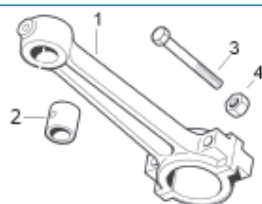
Fendt

Fiatagri

Ford



1 Main Bearings (1 set)	Standard		S.40331
	0,010"		S.40332
	0,020"		S.40333
	0,030"		S.40334
2 Conrod Bearings (1 set)	Standard	81717671	S.40315
	0,010"	81803985	S.40316
	0,020"	81803986	S.40317
	0,030"	81803987	S.40318
3 Thrust Washers (1 set)	Standard	81717707	S.40343
	0,0075"	81717708	S.40344
4 Crankshaft		957E6303	S.40309
5 Front Oil Seal		81717731	S.65980
6 Rear Oil Seal		81717827	S.40354



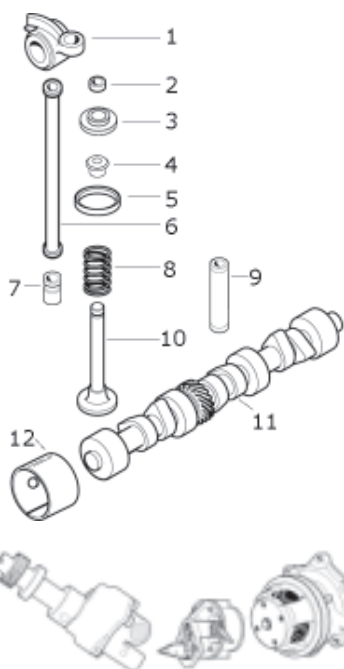
1 Conrod	81803971	S.40357
2 Small End Bush	81803978	S.40360
3 Conrod Bolt and Nut	81803991	S.40362
4 Conrod Nut	390655S2	S.41328

John Deere

M F

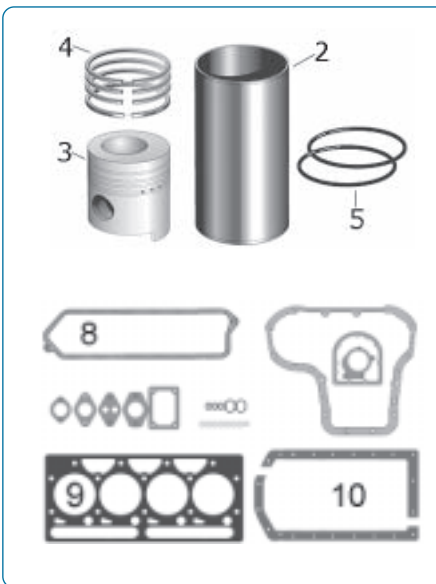
Renault

Zetor

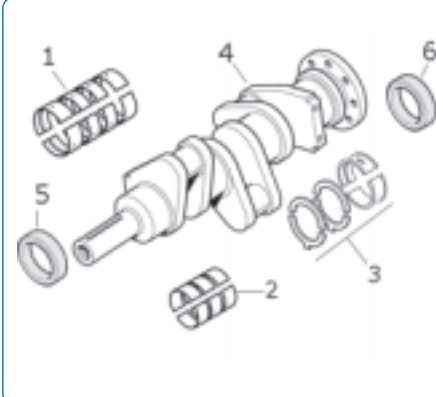


1	Rocker Arm		
	Rocker Arm Shaft		
2	Collet	957E6518	S.41412
3	Valve Retainer		
4	Valve Stem Seal		
5	Inlet Valve Insert		
	Exhaust Valve Insert		
6	Push Rod		
7	Tappet/Cam Follow er	81804255	S.41345
8	Valve Spring	81804285	S.40500
	Valve Spring	81804295	S.40505
9	Inlet/Exhaust Valve Guide	81804289	S.40495
10	Inlet Valve	81717769	S.40475
	Exhaust Valve	81717764	S.40485
11	Camshaft	957E6250	S.41507
12	Camshaft Bush		
13	Oil Pump	81804347	S.5934
14	Fuel Pump	81718195	S.60443
15	Water Pump - Single Pulley	81718104	S.65014

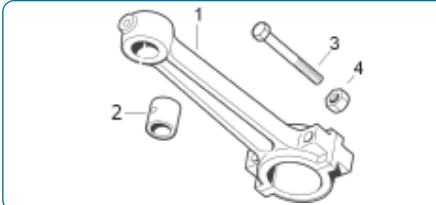
Ford	Engine	Liner mm			Piston mm			Additional information
		Cyl.	Bore	Height	Pin	Height	Rings	
	220	4	100,00	222,88		118,11	5	
Models: Major								



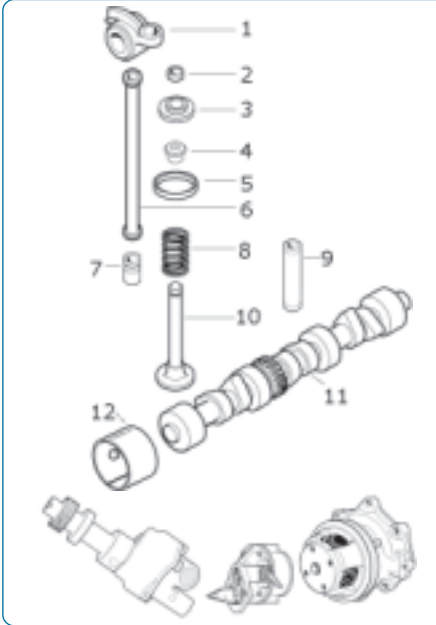
Description	Remarks	Replaces	Sparex
Ford Major 52 >02/1961			
1 Piston and Liner Set (per Cyl.)		Order Components	
2 Liner		81710301	S.66374
3 Piston		81710337	S.66719
4 Ring Set		81814624	S.65952
5 Liner Seal		E1ADKN6061	S.66563
Ford Major <03/1961			
1 Piston and Liner Set (per Cyl.)			Einzelteile b
2 Liner		81710303	S.65957
3 Piston		81710337	S.66719
4 Ring Set		81814624	S.65952
5 Liner Seal		81716221	S.66045
5 Liner Seal		81716220	S.66048
6 Top Gasket Set		81743744	S.66336
7 Bottom Gasket Set		81780578	S.66385
8 Rocker Cover Gasket			
9 Head Gasket		81710277	S.65881
10 Sump Gasket		81743591	S.66337



1 Main Bearings (1 set)	Standard	81823481	S.65213
	0,010"	81823483	S.65214
	0,020"	81823484	S.65215
	0,030"	81823487	S.65216
2 Conrod Bearings (1 set)	Standard	81854542	S.65189
	0,010"	81854543	S.65190
	0,020"	81854544	S.65191
3 Thrust Washers (1 set)	Standard	E159Z9	S.66783
	0,010"		
4 Crankshaft		81710532	S.66040
5 Oil Seal 9/54>		81710683	S.41549
6 Rear Oil Seal		81854827	S.65685



1 Conrod			
2 Small End Bush		81710453	S.65235
3 Conrod Bolt			
4 Conrod Nut			



1	Rocker Arm (Intake)		
1	Rocker Arm (Exhaust)		
2	Collet		
3	Valve Retainer		
4	Valve Stem Seal		
5	Inlet Valve Insert		
5	Exhaust Valve Insert		
6	Push Rod		
7	Tappet/Cam Follow er	E1ADKN6489	S.66712
8	Valve Spring	81710787	S.65708
9	Inlet/Exhaust Valve Guide	81710777	S.66779
10	Inlet Valve	81710772	S.65699
	Exhaust Valve	81596819	S.65871
11	Camshaft	528E6205D	S.61038
12	Camshaft Bush		
13	Oil Pump	81745498	S.65878
14	Fuel Pump with Fuel Bow l		S.66105
	Fuel Pump w ithout Fuel Bow l		S.65282
15	Water Pump - Single Pulley	81711728	S.65015

Case IH

David Brown

Deutz

Fendt

Fiatagri

Ford

John Deere

M F

Renault

Zetor

Case IH

David Brown

Deutz

Fendt

Fiatagri

Ford

John Deere

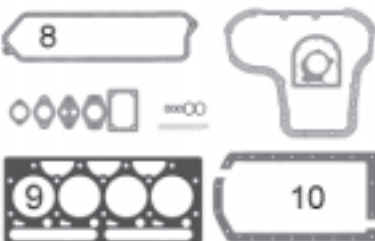
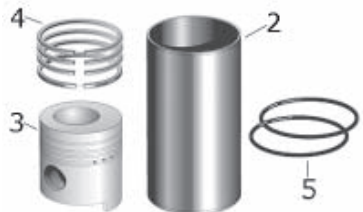
M F

Renault

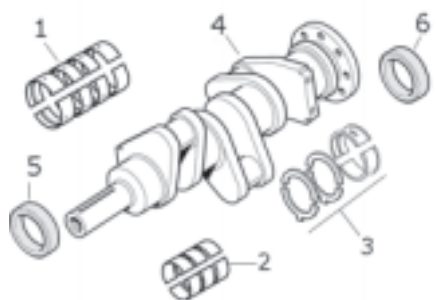
Zetor

Ford	Engine	Liner mm			Piston mm			Additional information
		Cyl.	Bore	Height	Pin	Height	Rings	
	220	4	100,00	222,88		118,11		

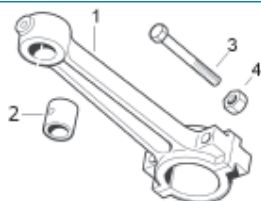
Models: Super Major, Power Major



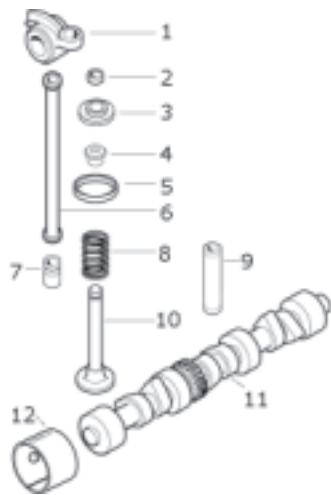
Description	Remarks	Replaces	Sparex
Ford Super Major, Power Major 52 to 02/61 (1.375" Pin)			
1 Piston and Liner Set (per Cyl.)		Order Components	
2 Liner		81710301	S.66374
3 Piston		81710338	S.65958
4 Ring Set		81814624	S.65952
5 Liner Seal		E1ADKN6061	S.66563
Ford Super Major, Power Major <03/61 >12/64			
1 Piston and Liner Set (per Cyl.)		Order Components	
2 Liner		81710303	S.65957
3 Piston		81710338	S.65958
4 Ring Set		81814624	S.65952
5 Liner Seal		81716221	S.66045
Liner Seal		81716220	S.66048
6 Top Gasket Set		81743744	S.66336
7 Bottom Gasket Set		81780578	S.66385
8 Rocker Cover Gasket			
9 Head Gasket		81710277	S.65881
10 Sump Gasket		81743591	S.66337



1 Main Bearings (1 set)	Standard	81823481	S.65213
	0,010"	81823483	S.65214
	0,020"	81823484	S.65215
	0,030"	81823487	S.65216
2 Conrod Bearings (1 set)	Standard	81854542	S.65189
	0,010"	81854543	S.65190
	0,020"	81854544	S.65191
3 Thrust Washers (1 pair)	0,030"	81854545	S.65192
	Standard	E159Z9	S.66783
4 Crankshaft		81710532	S.66040
5 Oil Seal 9/54>		81710683	S.41549
6 Rear Oil Seal		81854827	S.65685



1 Conrod			
2 Small End Bush		81710453	S.65235
3 Conrod Bolt			
4 Conrod Nut			



	Description	Remarks	Replaces	Sparex
1	Rocker Arm (Intake)			
	Rocker Arm (Exhaust)			
2	Collet			
3	Valve Retainer			
4	Valve Stem Seal			
5	Inlet Valve Insert			
	Exhaust Valve Insert			
6	Push Rod			
7	Tappet/Cam Follow er		E1ADKN6489	S.66712
8	Valve Spring		81710787	S.65708
9	Inlet/Exhaust Valve Guide		81710777	S.66779
10	Inlet Valve		81710772	S.65699
	Exhaust Valve		81596819	S.65871
11	Camshaft		528E6205D	S.61038
12	Camshaft Bush			



13	Oil Pump	04/57>64	81745498	S.65878
14	Fuel Pump with Fuel Bow l			S.66105
	Fuel Pump w ithout Fuel Bow l			S.65282
15	Water Pump - Single Pulley		81711728	S.65015

Case IH

David Brown

Deutz

Fendt

Fiatagri

Ford

John Deere

M F

Renault

Zetor

Ford	Engine	Liner mm			Piston mm			Additional information
		Cyl.	Bore	Height	Pin	Height	Rings	
	326 329	3	105,53	209,55				Liner Semi-Finished
Models: 333, 335, 231, 233, 2000, 2310, 2600, 2610, 2810, 2910, 3000, 3600, 3610								

Case IH

David Brown

Deutz

Fendt

Fiatagri

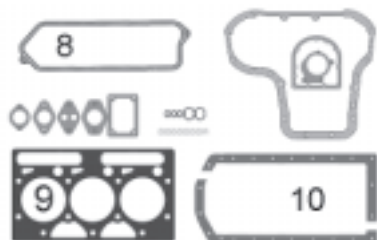
Ford

John Deere

M F

Renault

Zetor

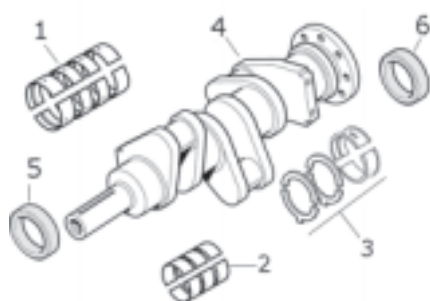


Description	Remarks	Replaces	Sparex
Ford 333, 335, 3000, 3600			
1 Piston and Liner Set (per Cyl.)			S.65889
2 Liner	Semi Finished	81815327	S.65828
3 Piston		83910850	S.65822
4 Ring Set		83917464	S.65996

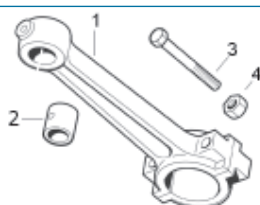
231, 233, 2310, 2600, 2810, 2610, 2910, 3610 (NHNA only 03/82>)			
1 Piston and Liner Set (per Cyl.)			
2 Liner	Semi Finished	81815327	S.65828
3 Piston		83910837	S.61307
4 Ring Set		83917464	S.65996

Ford 2000			
1 Piston and Liner Set (per Cyl.)			
2 Liner	Semi Finished	81815327	S.65828
3 Piston (106,6mm 134mm)		83910837	S.61307
4 Ring Set		83917464	S.65996

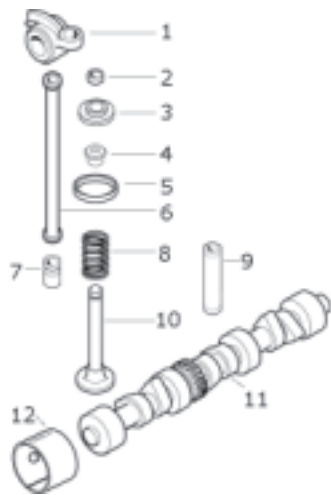
1 Top Gasket Set			S.65294
2 Bottom Gasket Set		83926004	S.65299
8 Rocker Cover Gasket	Ford Engine	81817048	S.65763
9 Head Gasket		83961551	S.65302
10 Sump Gasket	Ford 3610	83977022	S.65303
		83990594	S.66455



1 Main Bearings (1 set)	Standard		S.65218
	0,010"		S.65219
	0,020"		S.65220
2 Conrod Bearings (1 set) 36mm	0,030"		S.65221
	Standard	83906780/1	S.65194
	0,010"	83906783	S.65195
	0,020"	83906784	S.65196
3 Thrust Washers (1 pair)	0,030"	83906785	S.65197
	Standard		
	0,010"		
4 Crankshaft for 2610, 2910, 3000, 3600, 3610, <03/82	0,020"		
	0,030"		
	4,2" Stroke	83958764	S.66041
5 Front Oil Seal	83x58x11,3	81815927	S.65672
6 Oil Seal	141x120x11,	83955247	S.65673



1 Conrod			
2 Small End Bush		81803972	S.65237
3 Conrod Bolt		83990584	S.65979
4 Conrod Nut		83956276	S.65978



	Description	Remarks	Replaces	Sparex
1	Rocker Arm (Intake)		83956710	S.66780
	Rocker Arm (Exhaust)		81804316	S.66781
2	Collet		81876796	S.66758
3	Valve Retainer			
4	Valve Stem Seal			
5	Inlet Valve Insert >9/91		81804329	S.66798
	Exhaust Valve Insert >9/91		81804330	S.66799
6	Push Rod		81813399	S.66363
7	Tappet/Cam Follow er		83946434	S.65306
8	Valve Spring >09/91		83911693	S.65711
9	Inlet/Exhaust Valve Guide			
	Inlet Valve		87800344	S.65703
10	Exhaust Valve	Ford 2000	81859469	S.65701
			83988345	S.65704
		Ford 2000	81859342	S.65712
11	Camshaft		83971377	S.65696
12	Camshaft Bush		87800499	S.65872
13	Oil Pump		83956424	S.5937
14	Fuel Pump	3000, 3600	83991467	S.65283
	Water Pump - Single Pulley		81872277	S.65016
	Water Pump		81863898	S.65018
15	Water Pump - Double Pulley		81876233	S.65017
	Water Pump - Double Pulley		81863837	S.65019
	Water Pump for 2610,2910,3610			

Case IH

David Brown

Deutz

Fendt

Fiatagri

Ford

John Deere

M F

Renault

Zetor



Digital Caliper Gauge

S.14404

Ford	Engine	Liner mm			Piston mm			Additional information
	BSD	Cyl.	Bore	Height	Pin	Height	Rings	
	332	3	111,35	208,15	38,1	110,89	4	

Models: 334, 3230, 3430, 3610, 3900, 3900H, 3910, 3910H

Case IH

David Brown

Deutz

Fendt

Fiatagri

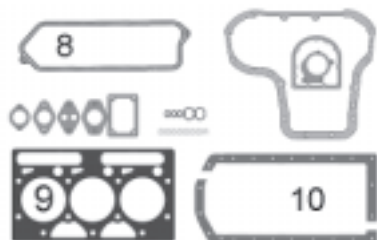
Ford

John Deere

M F

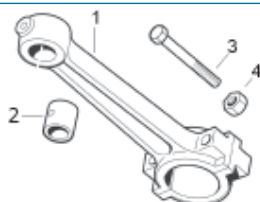
Renault

Zetor

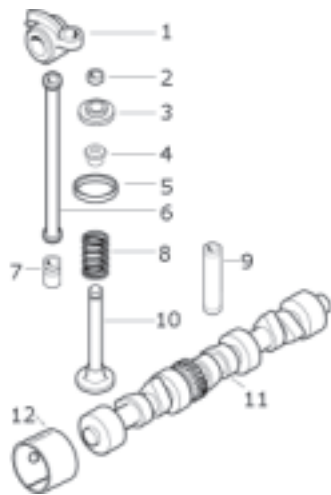


Description	Remarks	Replaces	Sparex
Ford 334, 3230, 3430, 3610, 3910, 3910H			
1 Piston and Liner Set (per Cyl.)		Order Components	
2 Liner	Semi Finished	83912946	S.65827
3 Piston		83928621	S.66185
4 Ring Set		83917468	S.65997
Ford 3900			
1 Piston and Liner Set (per Cyl.)			S.65889
2 Liner	Semi Finished	81815327	S.65828
3 Piston		83910850	S.65822
4 Ring Set		83917464	S.65996
Ford 3930H			
1 Piston and Liner Set (per Cyl.)			S.65890
2 Liner	Semi Finished	83912946	S.65827
3 Piston		83928178	S.65821
4 Ring Set		83917468	S.65997
6 Top Gasket Set	334,3610,391 3900		S.65295 S.65294
7 Bottom Gasket Set		83926004	S.65299
8 Rocker Cover Gasket (Cork)	not 3930H	81817048	S.65763
9 Head Gasket		83977022	S.65303
10 Sump Gasket	only 3900	83961551	S.65302 S.66455

	1 Main Bearings (1 set) (all Models 3230,3430 3/90>8/90)	Standard		S.65218
		0,010"		S.65219
		0,020"		S.65220
		0,030"		S.65221
	2 Conrod Bearings (1 set) - 36 mm (3230,3430 3/90>8/90)	Standard	83906780/1	S.65194
		0,010"	83906783	S.65195
	0,020"	83906784	S.65196	
	0,030"	83906785	S.65197	
2 Conrod Bearings (1 set) - 32mm (3230,3430 9/90>9/93)	Standard	87790322	S.66067	
	0,010"	87791051	S.66068	
	0,020"	87790325	S.66069	
	0,030"	87791053	S.66070	
3 Thrust Washers (1 pair)	Standard			
	0,010"			
4 Crankshaft >10/1991	4,2" Stroke	83958764	S.66041	
5 Front Oil Seal	83x58x11,3	81815927	S.65672	
6 Oil Seal	141x120x11,	83955247	S.65673	



1 Conrod			
2 Small End Bush		81803972	S.65237
3 Conrod Bolt		83990584	S.65979
4 Conrod Nut		83956276	S.65978



	Description	Remarks	Replaces	Sparex
1	Rocker Arm (Intake)		83956710	S.66780
	Rocker Arm (Exhaust)		81804316	S.66781
2	Collet		81876796	S.66758
3	Valve Retainer			
4	Valve Stem Seal			
5	Inlet Valve Insert >9/91		81804329	S.66798
	Exhaust Valve Insert >9/91		81804330	S.66799
6	Push Rod		81813399	S.66363
7	Tappet/Cam Follow er		83946434	S.65306
8	Valve Spring >09/91		83911693	S.65711
	Valve Spring 10/91>	not 3930H	83999742	S.66028
9	Inlet/Exhaust Valve Guide			
10	Inlet Valve		87800344	S.65703
	Exhaust Valve		83988345	S.65704
11	Camshaft		83971377	S.65696
12	Camshaft Bush		87800499	S.65872



13	Oil Pump		83956424	S.5937
14	Fuel Pump			
	Water Pump (Tw in Pulley)		81876233	S.65017
15	Water Pump (Double Pulley)		81863837	S.65019
	Water Pump (Single Pulley)		81863898	S.65018

Case IH

David Brown

Deutz

Fendt

Fiatagri

Ford

John Deere

M F

Renault

Zetor

Ford	Engine	Liner mm			Piston mm			Additional information
	BSD	Cyl.	Bore	Height	Pin	Height	Rings	
	333	3	111,35	208,15	38,1	110,89	4	

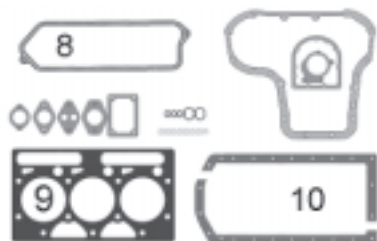
Models: 550, 555(A/B), 3930, 4000, 4100, 4110, 4130, 4200, 4330, 4600, 4610, 4610H, 4630

Case IH



Description	Remarks	Replaces	Sparex
Ford 550, 555(A/B), 3930, 4000, 4110, 4130, 4600, 4610, 4610H, 4630			
1 Piston and Liner Set (per Cyl.)			S.65890
2 Liner	Semi Finished	83912946	S.65827
3 Piston		83928178	S.65821
4 Ring Set		83917468	S.65997

David Brown



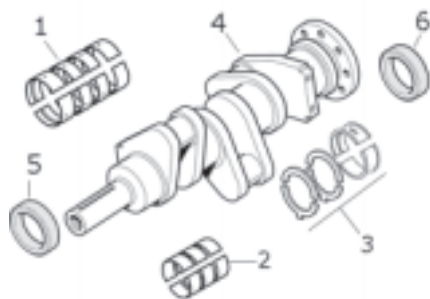
Description	Remarks	Replaces	Sparex
Ford 4100			
1 Piston and Liner Set (per Cyl.)			Einzelteile b
2 Liner	Semi Finished	81815327	S.65828
3 Piston			
4 Ring Set		83917464	S.65996

Deutz

6 Top Gasket Set	01/65 - 05/69		S.65295
	06/69 - 12/74		S.65293
	4100 Series		S.65292
7 Bottom Gasket Set		83926004	S.65299
8 Rocker Cover Gasket (Cork)		81817048	S.65763
9 Head Gasket		83977022	S.65303
	4100 Series	83961551	S.65302
10 Sump Gasket		83990594	S.66455

Fendt

Fiatagri



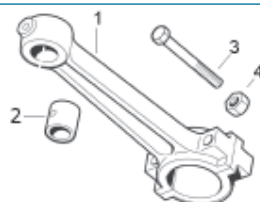
1 Main Bearings (1 set) all Models (3930,4130,4630 >2/01,>8/92)	Standard		S.65218
	0,010"		S.65219
	0,020"		S.65220
	0,030"		S.65221
2 Conrod Bearings (1 set) - 36 mm (3930,4130,4630 >2/01>9/92)	Standard	83906780/1	S.65194
	0,010"	83906783	S.65195
	0,020"	83906784	S.65196
	0,030"	83906785	S.65197
Conrod Bearings (1 set) - 32mm (3930,4130,4630 2J01>,9/92>)	Standard	87790322	S.66067
	0,010"	87791051	S.66068
	0,020"	87790325	S.66069
	0,030"	87791053	S.66070
3 Thrust Washers (1 pair)	Standard		
	0,010"		
4 Crankshaft Ford 4000 only	65 to 03/68	83998275	S.66041
5 Front Oil Seal	83x58x11,3	81815927	S.65672
6 Oil Seal	141x120x11,3	83955247	S.65673

Ford

John Deere

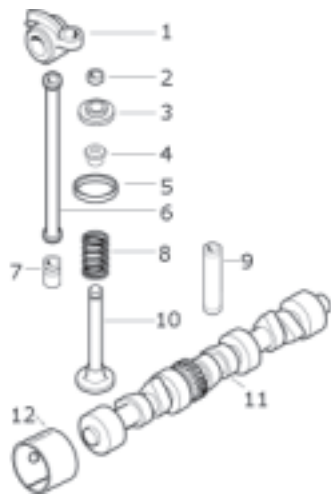
M F

Renault



1 Conrod	4000 Series	C7NN6200A	S.66043
2 Con Rod Bush (3930,4130,4630 >8/90)	81803972		S.65237
3 Conrod Bolt		83990584	S.65979
4 Conrod Nut		83956276	S.65978

Zetor



Description	Remarks	Replaces	Sparex
1 Rocker Arm (Intake)		83956710	S.66780
1 Rocker Arm (Exhaust)		81804316	S.66781
2 Collet		81876796	S.66758
3 Valve Retainer			
4 Valve Stem Seal			
5 Inlet Valve Insert >9/91		81804329	S.66798
5 Exhaust Valve Insert >9/91		81804330	S.66799
6 Push Rod		81813399	S.66363
7 Tappet/Cam Follower		83946434	S.65306
8 Valve Spring >09/91		83911693	S.65711
8 Valve Spring bis 12/97		83999742	S.66028
9 Inlet/Exhaust Valve Guide			
Inlet Valve		87800344	S.65703
10 Exhaust Valve	4000 - 4110	81859469	S.65701
Exhaust Valve		83988345	S.65704
Exhaust Valve	4000 - 4110	81859342	S.65712
11 Camshaft		83971377	S.65696
12 Camshaft Bush		87800499	S.65872
13 Oil Pump		83956424	S.5937
14 Fuel Pump			
15 Water Pump - Double Pulley		81876233	S.65017
15 Water Pump - Single Pulley		81872277	S.65016

Case IH

David Brown

Deutz

Fendt

Fiatagri

Ford

John Deere

M F

Renault

Zetor

Case IH

David Brown

Deutz

Fendt

Fiatagri

Ford

John Deere

M F

Renault

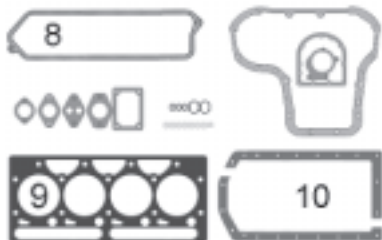
Zetor

Ford	Engine	Liner mm			Piston mm			Additional information
	BSD	Cyl.	Bore	Height	Pin	Height	Rings	
	438	4	105,53	209,55	38,1	106,12	4	

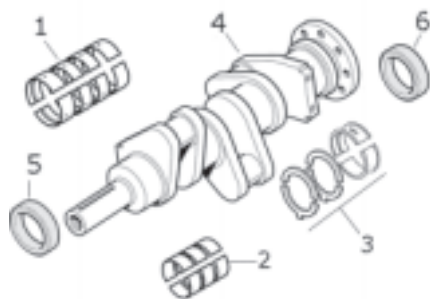
Models: (5000 >03/68), (5600, 5700 > 09/80)



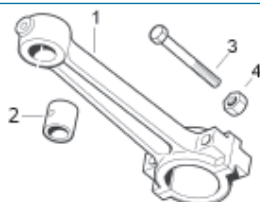
Description	Remarks	Replaces	Sparex
1 Piston and Liner Set (per Cyl.)			S.65889
2 Liner	Semi Finished	81815327	S.65828
3 Piston		83910850	S.65822
4 Ring Set		83917464	S.65996



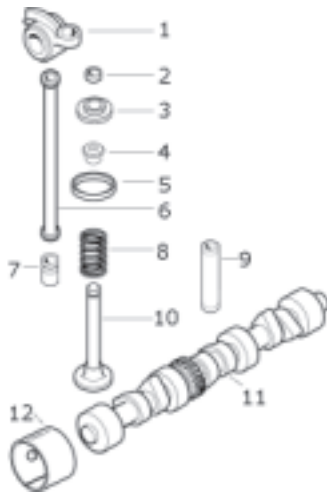
6 Top Gasket Set			S.65296
7 Bottom Gasket Set		81813951	S.65300
8 Rocker Cover Gasket		81817049	S.65764
9 Head Gasket		81844763	S.66353
10 Sump Gasket		87802061	S.66456



1 Main Bearings (1 set)	Standard		S.65223
	0,010"		S.65224
	0,020"		S.65225
	0,030"		S.65226
2 Conrod Bearings (1 set)	Standard	83906780/1	S.65199
	0,010"	83906783	S.65200
	0,020"	83906784	S.65201
3 Thrust Washers (1 pair)	0,030"	83906785	S.65202
	Standard		
4 Crankshaft	4,2" Stroke	81804029	S.66141
5 Front Oil Seal	83x58x11,3	81815927	S.65672
6 Oil Seal	141x120x11,3	83955247	S.65673



1 Conrod	36 mm	C7NN6200A	S.66043
2 Small End Bush		81803972	S.65237
3 Conrod Bolt		83990584	S.65979
4 Conrod Nut		83956276	S.65978



	Description	Remarks	Replaces	Sparex
1	Rocker Arm (Intake)		83956710	S.66780
	Rocker Arm (Exhaust)		81804316	S.66781
2	Collet		81876796	S.66758
3	Valve Retainer			
4	Valve Stem Seal			
5	Inlet Valve Insert >9/91		81804329	S.66798
	Exhaust Valve Insert <9/91		81804330	S.66799
6	Push Rod		81813399	S.66363
7	Tappet/Cam Follow er		83946434	S.65306
8	Valve Spring >09/91		83911693	S.65711
	Valve Spring >09/91		83911693	S.65711
9	Inlet/Exhaust Valve Guide			
10	Inlet Valve		81859469	S.65701
	Exhaust Valve		81859342	S.65712
11	Camshaft		83931270	S.65239
12	Camshaft Bush		8700499	S.65872



13	Oil Pump		83956424	S.5937
14	Fuel Pump		83991467	S.65283
15	Water Pump - Single Pulley		81872277	S.65016
	Water Pump - Single Pulley		81863898	S.65018

Case IH

David Brown

Deutz

Fendt

Fiatagri

Ford

John Deere

M F

Renault

Zetor



Ford	Engine	Liner mm			Piston mm			Additional information
	BSD	Cyl.	Bore	Height	Pin	Height	Rings	
	442	4	111,35	208,15	38,1	110,89	4	

Models: 4830, 5000, 5030, 5100, 5110, 5600, 5610, 5900, 6600, 6700

Case IH

David Brown

Deutz

Fendt

Fiatagri

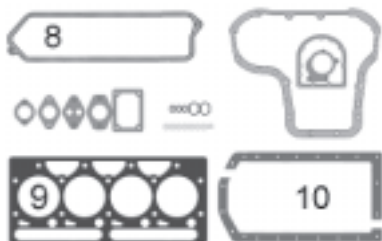
Ford

John Deere

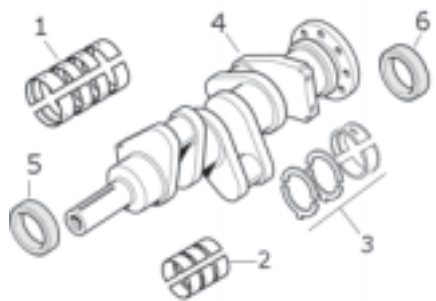
M F

Renault

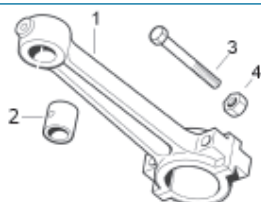
Zetor



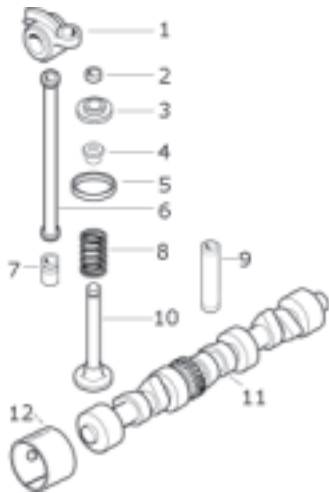
Description	Remarks	Replaces	Sparex
Ford (5000 4/68>), (5600 10/80>), (5610,5900>7/87),			
1 Piston and Liner Set (per Cyl.)			S.65891
2 Liner	Semi Finished	83912946	S.65827
3 Piston		83937063	S.65820
4 Ring Set		83917468	S.65997
Ford 4830, 5030			
1 Piston and Liner Set (per Cyl.)			
2 Liner	Semi Finished	83912946	S.65827
3 Piston			
4 Ring Set		83917468	S.65997
Models as above + 5110 >10/91			
6 Top Gasket Set	excluding		S.65297
7 Bottom Gasket Set	4830, 5030	81813951	S.65300
8 Rocker Cover Gasket		81817049	S.65764
9 Head Gasket		83977023	S.65847
10 Sump Gasket		87802061	S.66456



1 Main Bearings (1 set)	Standard		S.65223
	0,010"		S.65224
	0,020"		S.65225
	0,030"		S.65226
2 Conrod Bearings (1 set) - 36 mm excluding 4830 and 5030	Standard	83906780/1	S.65199
	0,010"	83906783	S.65200
	0,020"	83906784	S.65201
	0,030"	83906785	S.65202
2 Conrod Bearings (1 set) - 32 mm	Standard	87790322	S.66072
	0,010"	87791051	S.66073
	0,020"	87790325	S.66074
	0,030"	87791053	S.66075
4 Crankshaft (except 4830, 5030, 5110, 5610,5900)	4,2"	81804029	S.66141
5 Front Oil Seal	83x58x11,3	81815927	S.65672
6 Oil Seal	141x120x11,3	83955247	S.65673



1 Conrod 36 mm		C7NN6200A	S.66043
2 Small End Bush	excluding	81803972	S.65237
3 Conrod Bolt	4830, 5030	83990584	S.65979
4 Conrod Nut		83956276	S.65978



	Description	Remarks	Replaces	Sparex
1	Rocker Arm (Intake)		83956710	S.66780
	Rocker Arm (Exhaust)		81804316	S.66781
2	Collet		81876796	S.66758
3	Valve Retainer			
4	Valve Stem Seal			
5	Inlet Valve Insert >9/91		81804329	S.66798
	Exhaust Valve Insert <9/91		81804330	S.66799
6	Push Rod		81813399	S.66363
7	Tappet/Cam Follow er		83946434	S.65306
8	Valve Spring >09/91		83911693	S.65711
	Valve Spring (5610 <10/91)		83999742	S.66028
9	Inlet/Exhaust Valve Guide			
			87800344	S.65703
10	Inlet Valve	5000 >68	81859469	S.65701
		4830, 5030	87800386	S.65702
	Exhaust Valve		83988345	S.65704
		5000 >68	81859342	S.65712
		4830, 5030	87800340	S.65706
11	Camshaft		83931270	S.65239
12	Camshaft Bush		8700499	S.65872
13	Oil Pump		83956424	S.5937
14	Fuel Pump	5030, 5110		S.65270
		5610	83991467	S.65283
	Water Pump - Double Pulley		81876233	S.65017
15	Water Pump - Single Pulley		81872277	S.65016
			81863898	S.65018
			81863837	S.65019

Case IH

David Brown

Deutz

Fendt

Fiatagri

Ford

John Deere

M F

Renault

Zetor



Ford	Engine	Liner mm			Piston mm			Additional information
	BSD	Cyl.	Bore	Height	Pin	Height	Rings	
	444	4	111,35	208,15	38,1	110,89	4	

Models: 6610, 6710

Case IH

David Brown

Deutz

Fendt

Fiatagri

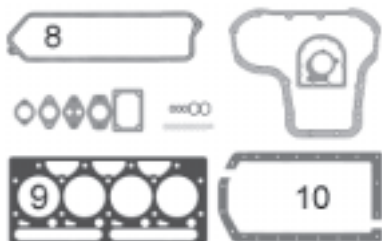
Ford

John Deere

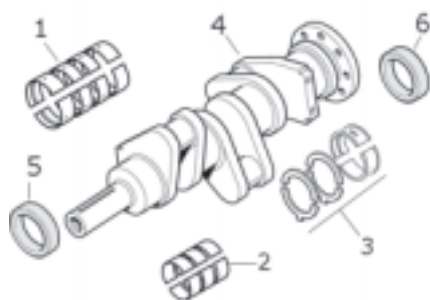
M F

Renault

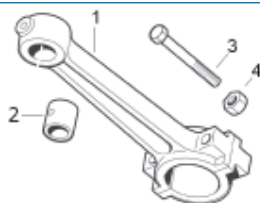
Zetor



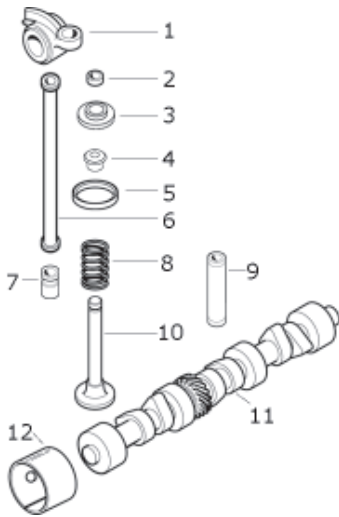
Description	Remarks	Replaces	Sparex
Ford 6610, (6710 01/81 - 07/87)			
1 Piston and Liner Set (per Cyl.)			S.65890
2 Liner	Semi Finished	83912946	S.65827
3 Piston		83928178	S.65821
4 Ring Set		83917468	S.65997
Ford 6610, (6710 08/87 - 12/93)			
1 Piston and Liner Set (per Cyl.)			
2 Liner	Semi Finished	83912946	S.65827
3 Piston		83960625	S.66601
4 Ring Set		83917468	S.65997
1 Top Gasket Set			S.65297
2 Bottom Gasket Set		81813951	S.65300
8 Rocker Cover Gasket except (6610)		81817049	S.65764
9 Head Gasket		83977023	S.65847
10 Sump Gasket		87802061	S.66456



1 Main Bearings (1 set)	Standard		S.65223
	0,010"		S.65224
	0,020"		S.65225
	0,030"		S.65226
2 Conrod Bearings (1 set) 36mm	Standard	83906780/1	S.65199
	0,010"	83906783	S.65200
	0,020"	83906784	S.65201
	0,030"	83906785	S.65202
2 Conrod Bearings (1 set) - 32 mm	Standard	87790322	S.66072
	0,010"	87791051	S.66073
	0,020"	87790325	S.66074
	0,030"	87791053	S.66075
4 Crankshaft 6610	4,4" Stroke	83918890	S.66042
5 Front Oil Seal	83x58x11,3	81815927	S.65672
6 Oil Seal	141x120x11,3	83955247	S.65673



1 Con Rod >8/90	36 mm	C7NN6200A	S.66043
2 Small End Bush		81803972	S.65237
3 Conrod Bolt		83990584	S.65979
4 Conrod Nut		83956276	S.65978



	Description	Remarks	Replaces	Sparex
1	Rocker Arm (Intake)		83956710	S.66780
	Rocker Arm (Exhaust)		81804316	S.66781
2	Collet		81876796	S.66758
3	Valve Retainer			
4	Valve Stem Seal			
5	Inlet Valve Insert >9/91		81804329	S.66798
	Exhaust Valve Insert >9/91		81804330	S.66799
6	Push Rod		81813399	S.66363
7	Tappet/Cam Follow er		83946434	S.65306
8	Valve Spring (6610>09/91, 6710)		83911693	S.65711
	Valve Spring (6610 10/91>12/93)		83999742	S.66028
9	Inlet/Exhaust Valve Guide			
10	Inlet Valve 8/87>		87800386	S.65702
	Inlet Valve >7/87		81859469	S.65701
	Exhaust Valve		87800340	S.65706
11	Camshaft		83931270	S.65239
12	Camshaft Bush		8700499	S.65872



13	Oil Pump		83956421	S.65270
14	Fuel Pump		83991467	S.65283
	Water Pump - Single Pulley		81872277	S.65016
15	Water Pump (Single Pulley)		81863898	S.65018
	Water Pump - Double Pulley		81863837	S.65019

Case IH

David Brown

Deutz

Fendt

Fiatagri

Ford

John Deere

M F

Renault

Zetor



Ford	Engine	Liner mm			Piston mm			Additional information
	BSD	Cyl.	Bore	Height	Pin	Height	Rings	
	444	4	111,78	208,53	38,1	127,12	4	

Models: 6410, 6600, 6700 (6600 and 6700 see also Engine BDS442)

Description	Remarks	Replaces	Sparex
Ford 6410, (6600 10/80 - 12/81), (6700 10/80 - 12/80)			
1 Piston and Liner Set (per Cyl.)			S.65890
2 Liner	Semi Finished	83912946	S.65827
3 Piston		83928178	S.65821
4 Ring Set		83917468	S.65997
6 Top Gasket Set			S.65297
7 Bottom Gasket Set		81813951	S.65300
8 Rocker Cover Gasket excluding 6410 >09/89		81817049	S.65764
9 Head Gasket		83977023	S.65847
10 Sump Gasket		87802061	S.66456


1 Main Bearings (1 set)	Standard		S.65223
	0,010"		S.65224
	0,020"		S.65225
	0,030"		S.65226
2 Conrod Bearings (1 set) 36mm	Standard	83906780/1	S.65199
	0,010"	83906783	S.65200
	0,020"	83906784	S.65201
	0,030"	83906785	S.65202
2 Conrod Bearings (1 set) - 32 mm	Standard	87790322	S.66072
	0,010"	87791051	S.66073
	0,020"	87790325	S.66074
	0,030"	87791053	S.66075
4 Crankshaft (6600)	4,4" Stroke	83918890	S.66042
5 Front Oil Seal	83x58x11,3	81815927	S.65672
6 Oil Seal	141x120x11,	83955247	S.65673

1 Conrod	36 mm	C7NN6200A	S.66043
2 Small End Bush		81803972	S.65237
3 Conrod Bolt		83990584	S.65979
4 Conrod Nut		83956276	S.65978

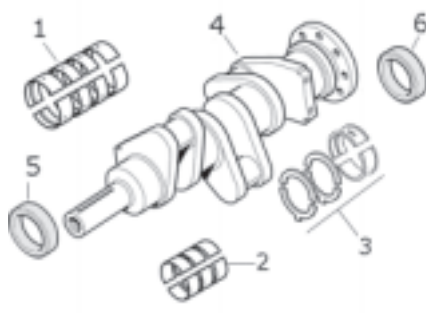
1	Rocker Arm (Intake)	83956710	S.66780
	Rocker Arm (Exhaust)	81804316	S.66781
2	Collet	81876796	S.66758
3	Valve Retainer		
4	Valve Stem Seal		
5	Inlet Valve Insert >9/91	81804329	S.66798
	Exhaust Valve Insert >9/91	81804330	S.66799
6	Push Rod	81813399	S.66363
7	Tappet/Cam Follow er	83946434	S.65306
8	Valve Spring >09/91	83911693	S.65711
9	Inlet/Exhaust Valve Guide		
	Inlet Valve	87800344	S.65703
10	Exhaust Valve	83988345	S.65704
	Exhaust Valve (only 6410)	87800340	S.65706
11	Camshaft	83931270	S.65239
12	Camshaft Bush	8700499	S.65872
13	Oil Pump (only 6600 and 6700)	83956424	S.5937
	Oil Pump (only 6410)	83956421	S.65270
14	Fuel Pump (only 6410 and 6600)	83991467	S.65283
15	Water Pump - Single Pulley	81872277	S.65016
	Water Pump - Single Pulley	81863898	S.65018

Ford	Engine	Liner mm			Piston mm			Additional information
	BSD	Cyl.	Bore	Height	Pin	Height	Rings	
	444T	4	111.35	208.15	41.28	109.77	4	

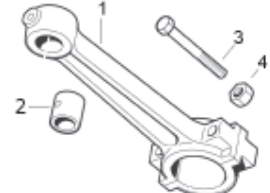
Models: 7610, 7710 (some 7100, 7200, 7410 Models)



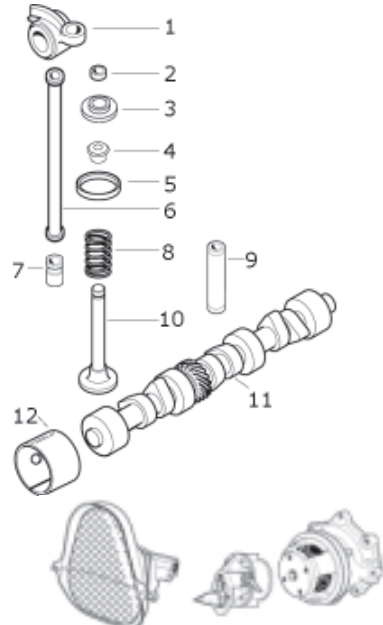
Description	Remarks	Replaces	Sparex
Ford (7610,7710 >7/87)			
1 Piston and Liner Set (per Cyl.)			S.65922
2 Liner	Semi Finished	83912946	S.65827
3 Piston		83919735	S.66313
4 Ring Set		83905823	S.65995
6 Top Gasket Set			S.65297
7 Bottom Gasket Set		81813951	S.65300
8 Rocker Cover Gasket(7610,7710 >9/89)		81817049	S.65764
9 Head Gasket		83977023	S.65847
10 Sump Gasket		87802061	S.66456



1 Main Bearings (1 set)	Standard		S.65223
	0,010"		S.65224
	0,020"		S.65225
	0,030"		S.65226
2 Conrod Bearings (1 set) - 36 mm (7610,7710>3/91)	Standard	83909414	S.65204
	0,010"	83909316	S.65205
	0,020"	83909417	S.65206
	0,030"	93909418	S.65207
2 Conrod Bearings (1 set) - 32 mm 7610,7710 12/91>	Standard	87790322	S.66072
	0,010"	87791051	S.66073
	0,020"	87790325	S.66074
	0,030"	87791053	S.66075
4 Crankshaft	4,4" Stroke	83918890	S.66042
5 Front Oil Seal	83x58x11,3	81815927	S.65672
6 Oil Seal	141x120x11,	83955247	S.65673



1 Conrod			
2 Small End Bush		81919460	S.66044
3 Conrod Bolt		83990584	S.65979
4 Conrod Nut		83956276	S.65978



1	Rocker Arm (Intake)		
1	Rocker Arm (Exhaust)		
2	Collet	81876796	S.66758
3	Valve Retainer		
4	Valve Stem Seal		
5	Inlet Valve Insert >9/91	81804329	S.66798
5	Exhaust Valve Insert >9/91	81804330	S.66799
6	Push Rod	81813399	S.66363
7	Tappet/Cam Follow er	83946434	S.65306
8	Valve Spring >09/91	83911693	S.65711
9	Inlet/Exhaust Valve Guide		
	Inlet Valve	87800386	S.65702
	Exhaust Valve	87800340	S.65706
11	Camshaft	83931270	S.65239
12	Camshaft Bush	8700499	S.65872
13	Oil Pump	83956421	S.65270
14	Fuel Pump	83991467	S.65283
	Water Pump - Single Pulley >31/07/87	81872277	S.65016
15	Water Pump - Single Pulley	81863898	S.65018
	Water Pump - Double Pulley	81863837	S.65019

Case IH

David Brown

Deutz

Fendt

Fiatagri

Ford

John Deere

M F

Renault

Zetor

Ford	Engine	Liner mm			Piston mm			Additional information
	BSD	Cyl.	Bore	Height	Pin	Height	Rings	
	444T	4	111.35	208.15	41.28	109.77	4	

Models: 6810, 7000, 7600, 7700 (some 7100, 7200, 7410 Models)

Case IH

David Brown

Deutz

Fendt

Fiatagri

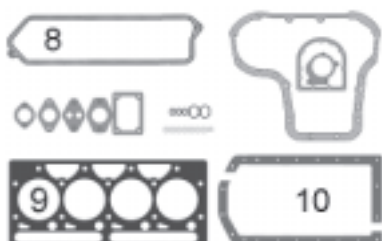
Ford

John Deere

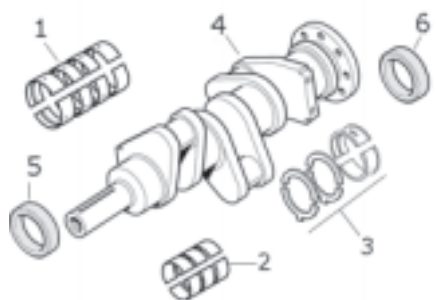
M F

Renault

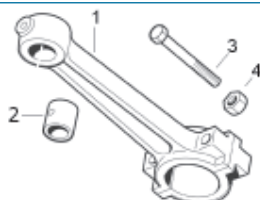
Zetor



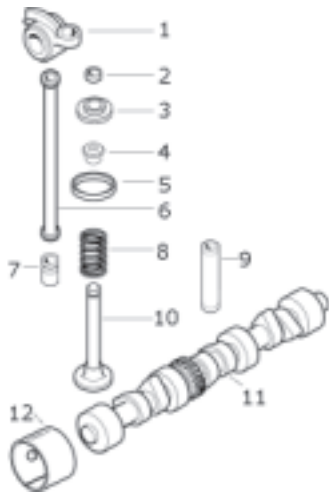
Description	Remarks	Replaces	Sparex
Ford 6810			
1 Piston and Liner Set (per Cyl.)		Order Components	
2 Liner	Semi Finished	83912946	S.65827
3 Piston			
4 Ring Set		83905823	S.65995
Ford 7000, (7600, 7700 >9/80)			
1 Piston and Liner Set (per Cyl.)			S.65893
2 Liner	Semi Finished	83912946	S.65827
3 Piston		83912026	S.65823
4 Ring Set		83905823	S.65995
6 Top Gasket Set			S.65297
7 Bottom Gasket Set		81813951	S.65300
8 Rocker Cover Gasket 6810 >30/09/89		81817049	S.65764
9 Head Gasket		83977023	S.65847
10 Sump Gasket		87802061	S.66456



1 Main Bearings (1 set)	Standard		S.65223
	0,010"		S.65224
	0,020"		S.65225
	0,030"		S.65226
2 Conrod Bearings (1 set) - 36 mm (6810>8/90)	Standard	83906780/1	S.65199
	0,010"	83906783	S.65200
	0,020"	83906784	S.65201
	0,030"	83906785	S.65202
2 Conrod Bearings (1 set) - 32 mm (7000,7600,7700)	Standard	83909414	S.65204
	0,010"	83909316	S.65205
	0,020"	83909417	S.65206
	0,030"	93909418	S.65207
2 Conrod Bearings (1 set) - 36 mm (6810 >12/91)	Standard	87790322	S.66072
	0,010"	87791051	S.66073
	0,020"	87790325	S.66074
	0,030"	87791053	S.66075
4 Crankshaft see Year	4,4" Stroke	83918890	S.66042
5 Front Oil Seal	83x58x11,3	81815927	S.65672
6 Oil Seal	141x120x11,3	83955247	S.65673



1 Conrod			
2 Small End Bush		81919460	S.66044
3 Conrod Bolt		83990584	S.65979
4 Conrod Nut		83956276	S.65978



	Description	Remarks	Replaces	Sparex
1	Rocker Arm (Intake)			
1	Rocker Arm (Exhaust)			
2	Collet		81876796	S.66758
3	Valve Retainer			
4	Valve Stem Seal			
5	Inlet Valve Insert >9/91		81804329	S.66798
5	Exhaust Valve Insert >9/91		81804330	S.66799
6	Push Rod		81813399	S.66363
7	Tappet/Cam Follow er		83946434	S.65306
8	Valve Spring >09/91		83911693	S.65711
9	Inlet/Exhaust Valve Guide			
10	Inlet Valve	only 6810	87800344	S.65703
10	Inlet Valve	7000 - 7700	87800386	S.65702
	Exhaust Valve		87800340	S.65706
11	Camshaft		83931270	S.65239
12	Camshaft Bush		8700499	S.65872



13	Oil Pump		83956421	S.65270
14	Fuel Pump (except7000)		83991467	S.65283
	Water Pump - Single Pulley		81872277	S.65016
15	Water Pump - Single Pulley		81863898	S.65018
	Water Pump - Tw in Pulley		81863837	S.65019

Case IH

David Brown

Deutz

Fendt

Fiatagri

Ford

John Deere

M F

Renault

Zetor



Ford	Engine	Liner mm			Piston mm			Additional information
	BSD	Cyl.	Bore	Height	Pin	Height	Rings	
	666	6	111,35	208,15	38,1	110,89	4	

Models: 7810, 7910, 8000, 8200, 8210, 8530, 8400, 8600, 8700, TW5, TW10

Case IH

David Brown

Deutz

Fendt

Fiatagri

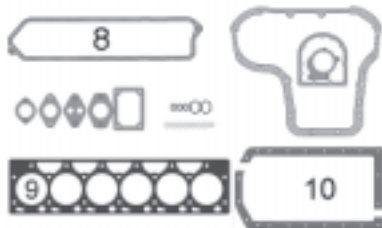
Ford

John Deere

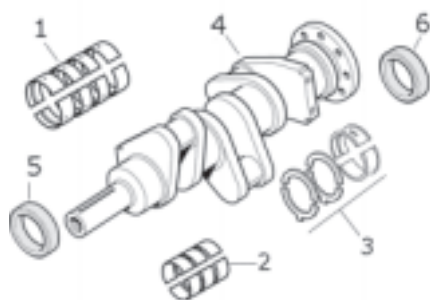
M F

Renault

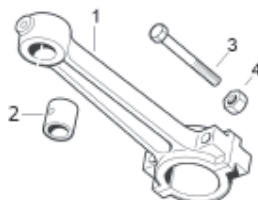
Zetor



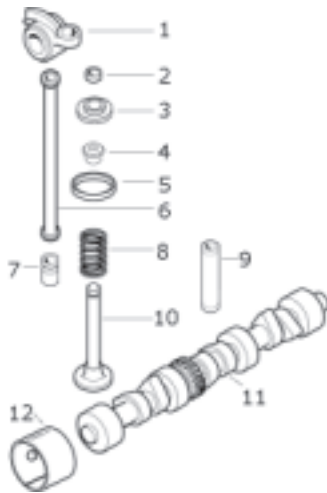
Description	Remarks	Replaces	Sparex
7810, (7910 from 04/86) (8000 01/68 - 09/72), 8200, (8210 04/86 - 10/91), 8530, (TW5 04/86 - 02/90)			
1 Piston and Liner Set (per Cyl.)			S.65890
2 Liner	Semi Finished	83912946	S.65827
3 Piston		83928178	S.65821
4 Ring Set		83917468	S.65997
(7910 01/82 to 03/86), (8000 10/72 - 12/72), (8210 01/82 - 03/86), 8600, 8700, (TW5 01/82 - 03/86), TW10			
1 Piston and Liner Set (per Cyl.)			S.65921
2 Liner	Semi Finished	83912946	S.65827
3 Piston		83905772	S.65897
4 Ring Set		83905823	S.65995
6 Top Gasket Set			
7 Bottom Gasket set (only 7810>10/91)		83933429	S.66310
8 Rocker Cover Gasket		83912957	S.65981
9 Head Gasket (7810,8210 >10/91)		82855144	S.65956
10 Sump Gasket			



1 Main Bearings (1 set)	Standard		S.66035
	0,010"		S.66036
	0,020"		S.66037
	0,030"		S.66038
Conrod Bearings (1 set) - 36 mm >08/90	Standard	83906780/1	S.66082
	0,010"	83906783	S.66083
	0,020"	83906784	S.66084
	0,030"	83906785	S.66085
	Standard	87790322	S.66077
Conrod Bearings (1 set) - 32 mm >08/90	Standard	87790322	S.66077
	0,010"	87790324	S.66078
	0,020"	87790325	S.66079
	0,030"	87790326	S.66080
1 Conrod Bearings (1 set) TW5 and TW10	Standard	83909414	S.66030
	0,010"	83909416	S.66031
	0,020"	83909417	S.66032
	0,030"	83909418	S.66033
4 Crankshaft			
5 Front Oil Seal	83x58x11,3	81815927	S.65672
6 Oil Seal	141x120x11,	83955247	S.65673



1 Con Rod 36 mm		C7NN6200A	S.66043
2 Small End Bush	except	81903972	S.65237
3 Conrod Bolt	7910	83990584	S.65979
4 Conrod Nut		83956276	S.65978
1 Conrod			
2 Small End Bush	only	81819460	S.66044
3 Conrod Bolt	TW5 / TW10	83990584	S.65979
4 Conrod Nut		83956276	S.65978



Description	Remarks	Replaces	Sparex
1	Rocker Arm (Intake) Rocker Arm (Exhaust)		
2	Collet	81876796	S.66758
3	Valve Retainer		
4	Valve Stem Seal		
5	Inlet Valve Insert >9/91 Exhaust Valve Insert >9/91	81804329 81804330	S.66798 S.66799
6	Push Rod	81813399	S.66363
7	Tappet/Cam Follow er	83946434	S.65306
8	Valve Spring >09/91	83911693	S.65711
9	Inlet/Exhaust Valve Guide		
10	Inlet Valve	81859469 7910 & TW	S.65701 S.65703
	Exhaust Valve 8000, 8200, 8600	81859342	S.65712
	Exhaust Valve 7810, 7910, 8210, 8530, TW	83912598	S.65706
11	Camshaft		
12	Camshaft Bush	8700499	S.65872
13	Oil Pump 7810	83961087	S.66823
	Oil Pump 8000,8200	83956426	S.66822
	Oil Pump 8210,8530, 7910, TW5/10	83951804	S.66821
14	Fuel Pump	83991467	S.65283
15	Water Pump (Single Pulley.) 8210,8530, 7910	81872282	S.65982
	Water Pump (Tw in Pulley) (7810 2/88>), TW	81872290	S.65983

Case IH

David Brown

Deutz

Fendt

Fiatagri

Ford

John Deere

M F

Renault

Zetor

S.65956



Ford	Engine	Liner mm			Piston mm			Additional information
	BSD	Cyl.	Bore	Height	Pin	Height	Rings	
	666T / Ti	6	111,35	208,15	41,28	109,77	4	

Models: 8630, 8730, 8830, 9000, 9200, 9600, 9700, TW15, TW20, TW25, TW30, TW35



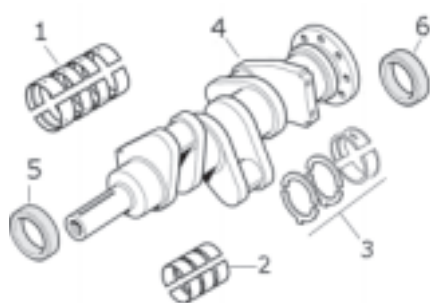
Description	Remarks	Replaces	Sparex
8630, 8730, 8830, 9700, TW15, TW20, TW25, TW30, TW35			
1 Piston and Liner Set (per Cyl.)			S.65922
2 Liner	Semi Finished	83912946	S.65827
3 Piston		83919735	S.65882
4 Ring Set		83905823	S.65995
9000,9200,9600			
1 Piston and Liner Set (per Cyl.)			
2 Liner	Semi Finished	83912946	S.65827
3 Piston			
4 Ring Set		83905823	S.65995
6 Top Gasket Set			
7 Bottom Gasket Set		83933429	S.66310
8 Rocker Cover Gasket		83912957	S.65981
9 Head Gasket		82855144	S.65956
10 Sump Gasket			

Case IH

David Brown

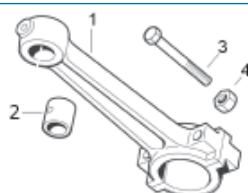
Deutz

Fendt



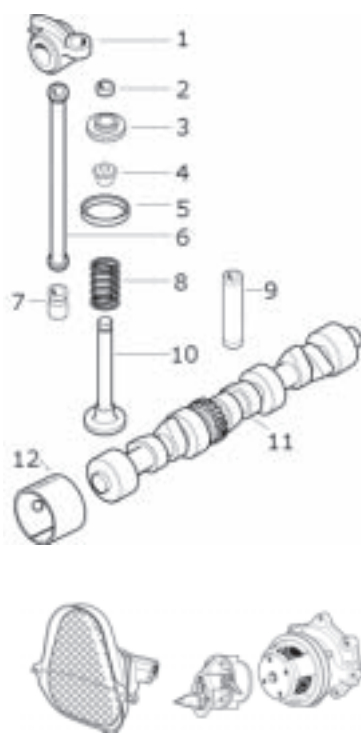
1 Main Bearings (1 set)	Standard		S.66035
	0,010"		S.66036
	0,020"		S.66037
	0,030"		S.66038
2 Conrod Bearings (1 set)	Standard	83909414	S.66030
	0,010"	83909416	S.66031
	0,020"	83909417	S.66032
	0,030"	83909418	S.66033
4 Crankshaft			
5 Front Oil Seal	83x58x11,3	81815927	S.65672
6 Oil Seal	141x120x11,	83955247	S.65673

Fiatagri



1 Conrod			
2 Small End Bush		81819460	S.66044
3 Conrod Bolt		83990584	S.65979
4 Conrod Nut		83956276	S.65978

Ford



1	Rocker Arm (Intake)		
	Rocker Arm (Exhaust)		
2	Collet	81876796	S.66758
3	Valve Retainer		
4	Valve Stem Seal		
5	Inlet Valve Insert >9/91	81804329	S.66798
	Exhaust Valve Insert >9/91	81804330	S.66799
6	Push Rod	81813399	S.66363
7	Tappet/Cam Follow er	83946434	S.65306
8	Valve Spring >09/91	83911693	S.65711
	Valve Spring <10/91	83999742	S.66028
9	Inlet/Exhaust Valve Guide		
	Inlet Valve	87800386	S.65702
10	Inlet Valve (9000,9200,9600,9700>31/05/72)	81859469	S.65701
	Exhaust Valve (9000, 9600)	81859342	S.65712
	Exhaust Valve	83912598	S.65706
11	Camshaft		
12	Camshaft Bush	8700499	S.65872
	Oil Pump (except 9000, 9600 68>7/76)	83956426	S.66822
13	Oil Pump (except 9700)	83961087	S.66823
	Oil Pump (8630,8730,TW15,TW20,TW25)	83951804	S.66821
14	Fuel Pump	83991467	S.65283
	Water Pump (Single Pulley 8630,8730,TW20)	81872282	S.65982
15	Water Pump (Tw in PulleyTW15,TW20,TW25)	81872290	S.65983
	Water Pump (Single Pulley 9700)	81868794	S.66327

John Deere

M F

Renault

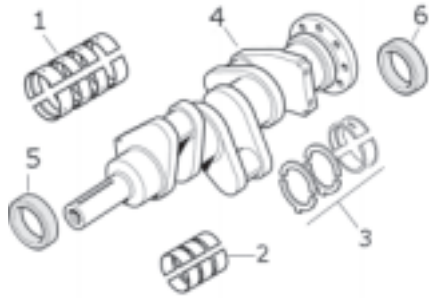
Zetor

Ford

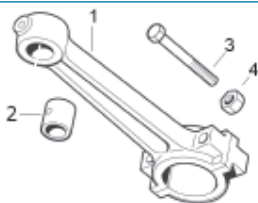
Engine	Liner mm			Piston mm			Additional information
	Cyl.	Bore	Height	Pin	Height	Rings	
PowerStar 4.4	4	110,34	205,60	38,09		3	Liner Semi-Finished
Models: 5640							



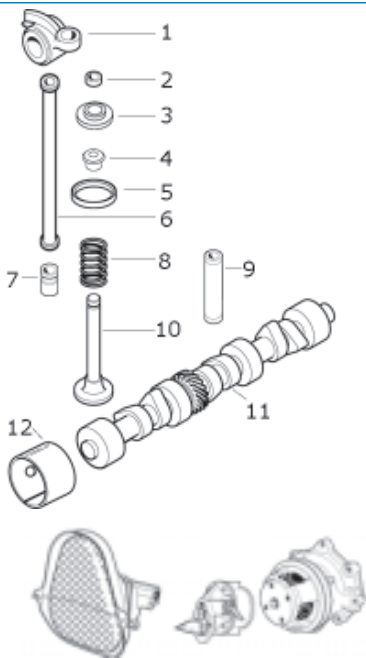
Description	Remarks	Replaces	Sparex
1 Piston and Liner Set (per Cyl.)		Order Components	
2 Liner	Model	83998292	S.66527
3 Piston	5640	82850254	S.66519
4 Ring Set		82850251	S.66525
6 Top Gasket Set			S.66544
7 Bottom Gasket Set		81878060	S.66545
8 Rocker Cover Gasket			
9 Head Gasket		83977023	S.65847
10 Sump Gasket		87802061	S.66456



1 Main Bearings (1 set)	Standard		S.66528
	0,010"		S.66529
	0,020"		S.66530
	0,030"		
2 Conrod Bearings (1 set)	Standard	83996311	S.66534
	0,010"	83991761	S.66535
	0,020"	83991762	S.66536
	0,030"		
4 Crankshaft			
5 Front Oil Seal	83x58x11,3	81815927	S.65672
6 Oil Seal	141x120x11,	83955247	S.65673



1 Conrod
2 Small End Bush
3 Conrod Bolt
4 Conrod Nut



1	Rocker Arm (Intake)	83956710	S.66780
	Rocker Arm (Exhaust)	81804316	S.66781
2	Collet	81876796	S.66758
3	Valve Retainer		
4	Valve Stem Seal		
5	Inlet Valve Insert >9/91		
	Exhaust Valve Insert >9/91		
6	Push Rod		
7	Tappet/Cam Follow er	83946434	S.65306
8	Valve Spring	83999742	S.66028
9	Inlet/Exhaust Valve Guide		
10	Inlet Valve	81865092	S.66540
	Exhaust Valve	81865085	S.66543
11	Camshaft		
12	Camshaft Bush		
13	Oil Pump		
14	Fuel Pump		
15	Water Pump	87800714	S.66857

Sparex

Case IH

David Brown

Deutz

Fendt

Fiatagri

Ford

John Deere

M F

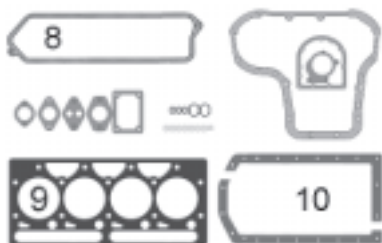
Renault

Zetor

Ford	Engine	Liner mm			Piston mm			Additional information
		Cyl.	Bore	Height	Pin	Height	Rings	
	PowerStar 5.0	4	110,34	205,60	38,087		3	Liner Semi-Finished
	Models: 6640, TS80, TS90							



Description	Remarks	Replaces	Sparex
1 Piston and Liner Set (per Cyl.)		Order Components	
2 Liner	Semi Finished	83998292	S.66527
3 Piston		82850253	S.66521
4 Ring Set		82850251	S.66525

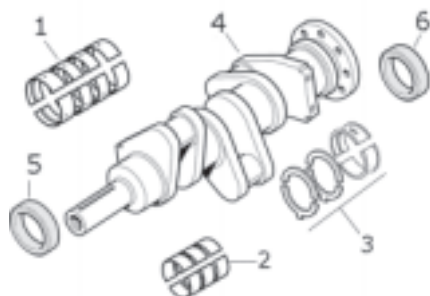


6 Top Gasket Set			S.66544
7 Bottom Gasket Set		81878060	S.66545
8 Rocker Cover Gasket			
9 Head Gasket		83977023	S.65847
10 Sump Gasket		87802061	S.66456

Case IH

David Brown

Deutz

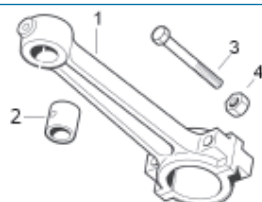


1 Main Bearings (1 set)	Standard		S.66528
	0,010"		S.66529
	0,020"		S.66530
2 Conrod Bearings (1 set)	Standard	83996311	S.66534
	0,010"	83991761	S.66535
	0,020"	83991762	S.66536
4 Crankshaft			
5 Front Oil Seal	83x58x11,3	81815927	S.65672
6 Oil Seal	141x120x11,	83955247	S.65673

Fendt

Fiatagri

Ford



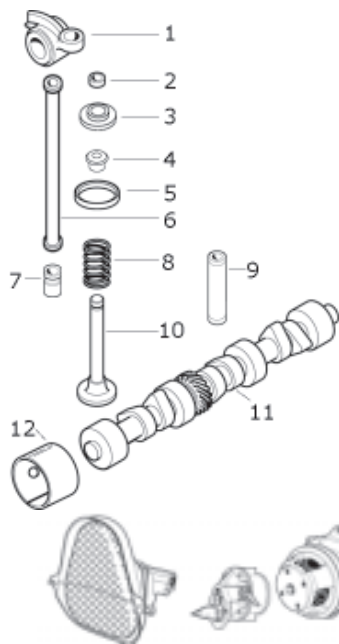
1 Conrod			
2 Small End Bush			
3 Conrod Bolt			
4 Conrod Nut			

John Deere

M F

Renault

Zetor



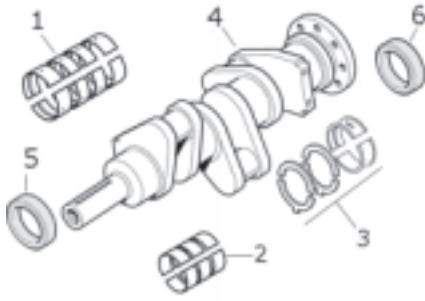
1	Rocker Arm (Intake)	83956710	S.66780
	Rocker Arm (Exhaust)	81804316	S.66781
2	Collet	81876796	S.66758
3	Valve Retainer		
4	Valve Stem Seal		
5	Inlet Valve Insert >9/91		
6	Exhaust Valve Insert >9/91		
7	Push Rod		
8	Valve Spring	83999742	S.66028
9	Inlet/Exhaust Valve Guide		
10	Inlet Valve	81865092	S.66540
	Exhaust Valve	81865085	S.66543
11	Camshaft		
12	Camshaft Bush		
13	Oil Pump		
14	Fuel Pump		
15	Water Pump	87800714	S.66857

Ford

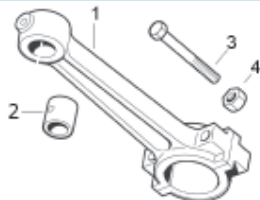
Engine	Liner mm			Piston mm			Additional information
	Cyl.	Bore	Height	Pin	Height	Rings	
PowerStar 5.0T	4	110,34	205,60			3	Liner Semi-Finished
Models: 7740, TS100, TS110, TS115							



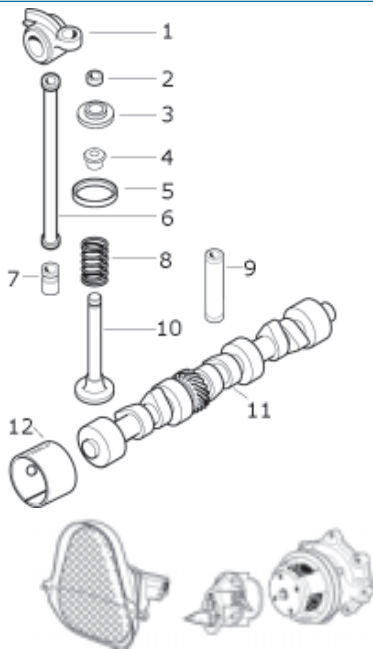
Description	Remarks	Replaces	Sparex
1 Piston and Liner Set (per Cyl.)		Order Components	
2 Liner	Semi Finished	83998292	S.66527
3 Piston		82850252	S.66523
4 Ring Set		81866003	S.66526
6 Top Gasket Set			S.66544
7 Bottom Gasket Set		81878060	S.66545
8 Rocker Cover Gasket			
9 Head Gasket		83977023	S.65847
10 Sump Gasket		87802061	S.66456



1 Main Bearings (1 set)	Standard		S.66528
	0,010"		S.66529
	0,020"		S.66530
	0,030"		
2 Conrod Bearings (1 set)	Standard	87790322	S.66072
	0,010"	87791051	S.66073
	0,020"	87790325	S.66074
	0,030"	87791053	S.66075
4 Crankshaft			
5 Front Oil Seal	83x58x11,3	81815927	S.65672
6 Oil Seal	141x120x11,	83955247	S.65673



1 Conrod			
2 Small End Bush			
3 Conrod Bolt			
4 Conrod Nut			



1	Rocker Arm (Intake)	83956710	S.66780
	Rocker Arm (Exhaust)	81804316	S.66781
2	Collet	81876796	S.66758
3	Valve Retainer		
4	Valve Stem Seal		
5	Inlet Valve Insert >9/91		
	Exhaust Valve Insert >9/91		
6	Push Rod		
7	Tappet/Cam Follow er	83946434	S.65306
8	Valve Spring	83999742	S.66028
9	Inlet/Exhaust Valve Guide		
10	Inlet Valve	81865095	S.66541
	Exhaust Valve	82850523	S.66542
11	Camshaft		
12	Camshaft Bush	87800499	S.65872
13	Oil Pump		
14	Fuel Pump		
15	Water Pump	87800712	S.66856

Sparex

Case IH

David Brown

Deutz

Fendt

Fiatagri

Ford

John Deere

M F

Renault

Zetor

These parts are Sparex parts and are not manufactured by the Original Equipment Manufacturer. Original names, part numbers and descriptions are quoted for reference purposes only and are not intended to indicate or suggest that our replacement parts are made by the OEM.

Ford	Engine	Liner mm			Piston mm			Additional information
	PowerStar 6.6	Cyl.	Bore	Height	Pin	Height	Rings	
	Models: 7840	6	110,34	205,60	38,09		3	Liner Semi-Finished



Description	Remarks	Replaces	Sparex
1 Piston and Liner Set (per Cyl.)		Order Components	
2 Liner	Semi Finished	83998292	S.66527
3 Piston		82850254	S.66519
4 Ring Set		82850251	S.66525
6 Top Gasket Set	order S.66546+S.66848		
7 Bottom Gasket Set		81878062	S.66547
8 Rocker Cover Gasket			
9 Head Gasket		83982127	S.65848
10 Sump Gasket			

Case IH

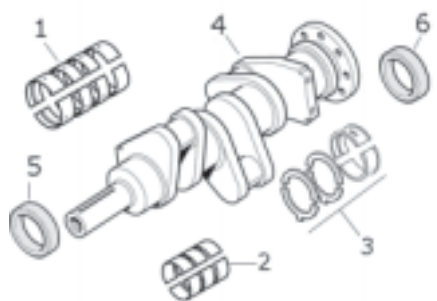
David Brown

Deutz

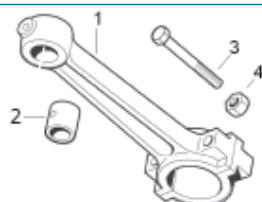
Fendt

Fiatagri

Ford



1 Main Bearings (1 set)	Standard		S.66531
	0,010"		S.66532
	0,020"		S.66533
2 Conrod Bearings (1 set)	Standard	83996311	S.66537
	0,010"	83991761	S.66538
	0,020"	83991762	S.66539
4 Crankshaft			
5 Front Oil Seal	83x58x11,3	81815927	S.65672
6 Oil Seal	141x120x11,	83955247	S.65673



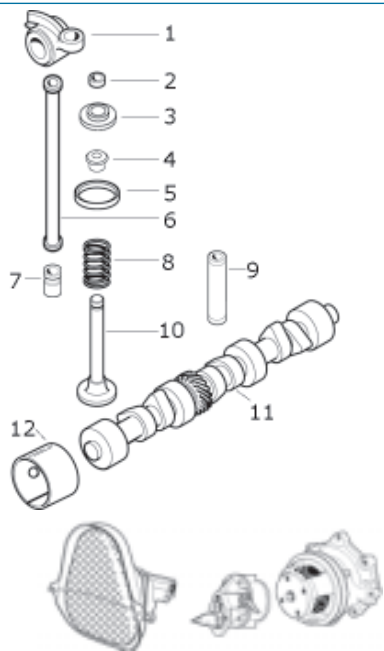
1 Conrod			
2 Small End Bush			
3 Conrod Bolt			
4 Conrod Nut			

John Deere

M F

Renault

Zetor



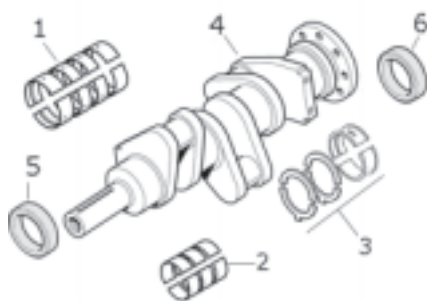
1	Rocker Arm (Intake)	83956710	S.66780
	Rocker Arm (Exhaust)	81804316	S.66781
2	Collet	81876796	S.66758
3	Valve Retainer		
4	Valve Stem Seal		
5	Inlet Valve Insert >9/91		
	Exhaust Valve Insert >9/91		
6	Push Rod		
7	Tappet/Cam Follow er	83946434	S.65306
8	Valve Spring		
	Valve Spring	83999742	S.66028
9	Inlet/Exhaust Valve Guide		
10	Inlet Valve	81865092	S.66540
	Exhaust Valve	81865085	S.66543
11	Camshaft		
12	Camshaft Bush	87800499	S.65872
13	Oil Pump		
14	Fuel Pump		
15	Water Pump	87800712	S.66856

Ford

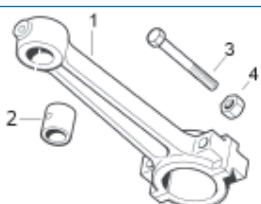
Engine	Liner mm			Piston mm			Additional information
	Cyl.	Bore	Height	Pin	Height	Rings	
PowerStar 7.5	6	110,34	205,60	38,087		3	Liner Semi-Finished
Models: (8010 >05/98) 8240, 8340 w without Turbo, TS115 (some types of 8160, 8240 and 8260)							



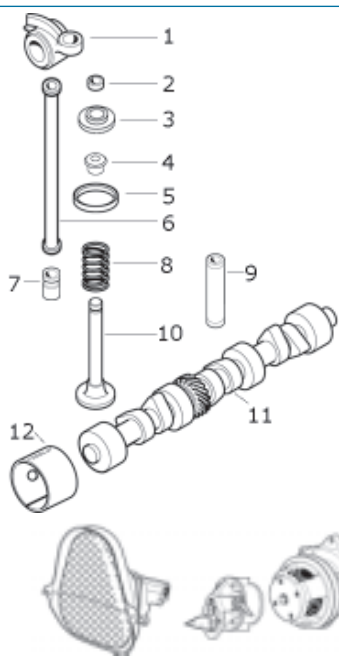
Description	Remarks	Replaces	Sparex
1 Piston and Liner Set (per Cyl.)		Order Components	
2 Liner	Semi Finished	83998292	S.66527
3 Piston		82850253	S.66521
4 Ring Set		82850251	S.66525
6 Top Gasket Set	order S.66546+S.66848		
7 Bottom Gasket Set		81878062	S.66547
8 Rocker Cover Gasket			
9 Head Gasket		83982127	S.65848
10 Sump Gasket			



1 Main Bearings (1 set)	Standard		S.66531
	0,010"		S.66532
	0,020"		S.66533
	0,030"		
2 Conrod Bearings (1 set) (8010>5/98),TS115	Standard	87790322	S.66077
	0,010"	87790324	S.66078
	0,020"	87790325	S.66079
	0,030"	87790326	S.66080
2 Conrod Bearings (1 set) 8240,8340	Standard	83996311	S.66537
	0,010"	83991761	S.66538
	0,020"	83991762	S.66539
	0,030"		
4 Crankshaft			
5 Front Oil Seal	83x58x11,3	81815927	S.65672
6 Oil Seal	141x120x11,	83955247	S.65673



1 Conrod			
2 Small End Bush			
3 Conrod Bolt			
4 Conrod Nut			



1 Rocker Arm (Intake)		83956710	S.66780
1 Rocker Arm (Exhaust)		81804316	S.66781
2 Collet		81876796	S.66758
3 Valve Retainer			
4 Valve Stem Seal			
5 Inlet Valve Insert >9/91			
5 Exhaust Valve Insert >9/91			
6 Push Rod			
7 Tappet/Cam Follow er		83946434	S.65306
8 Valve Spring			
8 Valve Spring		83999742	S.66028
9 Inlet/Exhaust Valve Guide			
10 Inlet Valve		81865092	S.66540
10 Exhaust Valve		81865085	S.66543
11 Camshaft			
12 Camshaft Bush		87800499	S.65872
13 Oil Pump			
14 Fuel Pump			
15 Water Pump (except 8010)		87800712	S.66856

Sparex

Case IH

David Brown

Deutz

Fendt

Fiatagri

Ford

John Deere

M F

Renault

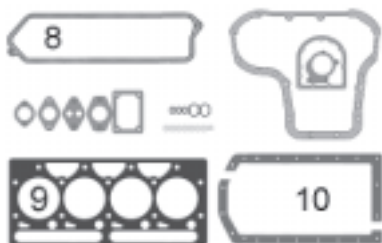
Zetor

These parts are Sparex parts and are not manufactured by the Original Equipment Manufacturer. Original names, part numbers and descriptions are quoted for reference purposes only and are not intended to indicate or suggest that our replacement parts are made by the OEM.

Ford	Engine	Liner mm			Piston mm			Additional information
		Cyl.	Bore	Height	Pin	Height	Rings	
	PowerStar 7.5T	6	110,34	205,60			3	Liner Semi-Finished
Models: 8340, 8360, 8560, 8670, 8770, 8870								



Description	Remarks	Replaces	Sparex
1 Piston and Liner Set (per Cyl.)		Order Components	
2 Liner	Semi Finished	83998292	S.66527
3 Piston			
4 Ring Set		81866003	S.66526



6 Top Gasket Set		81878061	S.66546
7 Bottom Gasket Set		81878062	S.66547
8 Rocker Cover Gasket			
9 Head Gasket		83982127	S.65848
10 Sump Gasket			

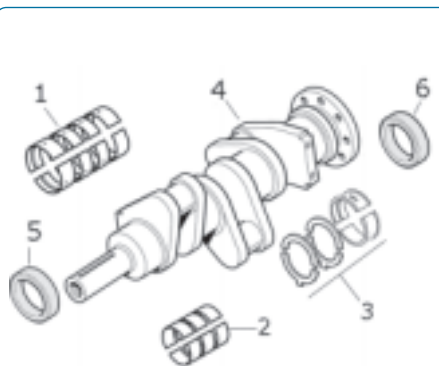
Case IH

David Brown

Deutz

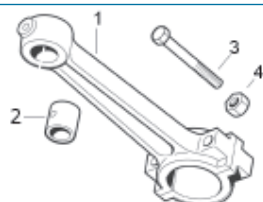
Fendt

Fiatagri



1 Main Bearings (1 set) 8340,8360,8560	Standard		S.66531
	0,010"		S.66532
	0,020"		S.66533
	0,030"		
2 Conrod Bearings (1 set) - 32 mm	Standard	87790322	S.66077
	0,010"	87790324	S.66078
	0,020"	87790325	S.66079
	0,030"	87790326	S.66080
2 Conrod Bearings (1 set) 8340	Standard	83996311	S.66537
	0,010"	83991761	S.66538
	0,020"	83991762	S.66539
	0,030"		
4 Crankshaft			
5 Front Oil Seal	83x58x11,3	81815927	S.65672
6 Oil Seal	141x120x11,	83955247	S.65673

Ford



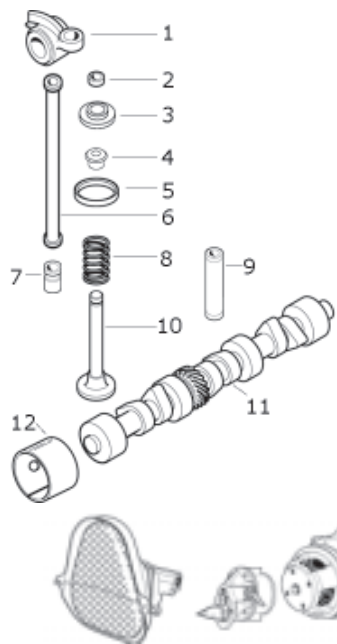
1 Conrod			
2 Small End Bush			
3 Conrod Bolt			
4 Conrod Nut			

John Deere

M F

Renault

Zetor



1 Rocker Arm (Intake)			
1 Rocker Arm (Exhaust)			
2 Collet		81876796	S.66758
3 Valve Retainer			
4 Valve Stem Seal			
5 Inlet Valve Insert >9/91			
5 Exhaust Valve Insert >9/91			
6 Push Rod			
7 Tappet/Cam Follow er			
8 Valve Spring			
8 Valve Spring <10/91		83999742	S.66028
9 Inlet/Exhaust Valve Guide			
10 Inlet Valve		81865095	S.66541
10 Exhaust Valve		82850523	S.66542
11 Camshaft			
12 Camshaft Bush		87800499	S.65872
13 Oil Pump			
14 Fuel Pump			
15 Water Pump			

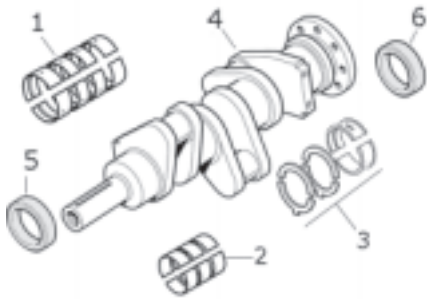
Ford

Engine	Liner mm			Piston mm			Additional information
	Cyl.	Bore	Height	Pin	Height	Rings	
8035...				38	108,5	3	Liner Semi-Finished

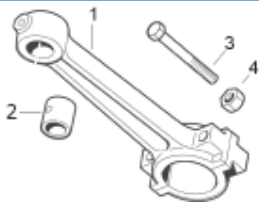
Models: 3435, 3935, 4135, 4635



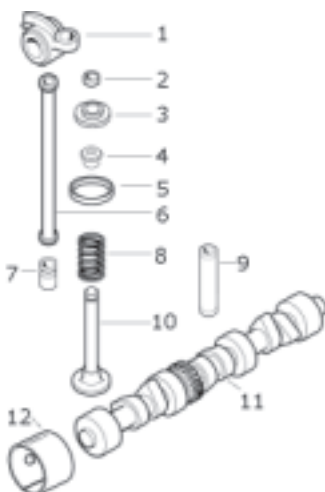
Description	Remarks	Replaces	Sparex
Models 4635 Engine 8035.05			
1 Piston and Liner Set (per Cyl.)		Order Components	
2 Liner	Semi Finished		
3 Piston w ith Rings		1930186	S.62023
4 Ring Set		1930191	S.62029
Models 3435, 3935, 4135 Engine 8035.06			
1 Piston and Liner Set (per Cyl.)		Order Components	
2 Liner	Semi Finished	4770654	S.62034
3 Piston w ith Rings		1930241	S.62022
4 Ring Set		1930169	S.62028
6 Head Gasket Set (engine 8035.06)		1930255	S.62100
7 Head Gasket Set (engine 8035.05)	for 4635	1940096	S.62102
Complete Gasket Set - 8035.06		1909590	S.62080
Complete Gasket Set - 8035.05		1909559	S.62083
8 Rocker Cover Gasket		4845135	S.62127
9 Head Gasket			
10 Sump Gasket		1940006	S.62113



1 Main Bearings (1 pair)	Standard	1930176	S.62049
	0,010"	1930177	S.62345
	0,020"	1930178	S.62454
	0,030"		
2 Conrod Bearings (1 pair)	Standard	1930181	S.62043
	0,010"	1930182	S.62044
	0,020"	1930183	S.62045
4 Crankshaft			
5 Front Oil Seal		98461684	S.62068
6 Rear Oil Seal		98461686	S.62073



1 Conrod	98461751	S.58941
2 Small End Bush	4766404	S.62038
3 Conrod Bolt		
4 Conrod Nut		



1	Rocker Arm (Intake) Rocker Arm (Exhaust)		
2	Collet	14196670	S.59051
3	Valve Retainer		
4	Valve Stem Seal		
5	Inlet Valve Insert Exhaust Valve Insert		
6	Push Rod		
7	Tappet/Cam Follow er		
8	Valve Spring	4780108	S.62066
9	Inlet/Exhaust Valve Guide	4802126	S.62062
10	Inlet Valve Exhaust Valve	4824417 4784889	S.62057 S.62060
11	Camshaft		S.59066
12	Camshaft Bush Set		S.62121



13	Oil Pump	4705827	S.62133
14	Fuel Pump	4757883	S.63039
15	Water Pump - Single Pulley (except 4635)	98497117	S.59000

Sparex

Case IH

David Brown

Deutz

Fendt

Fiatagri

Ford

John Deere


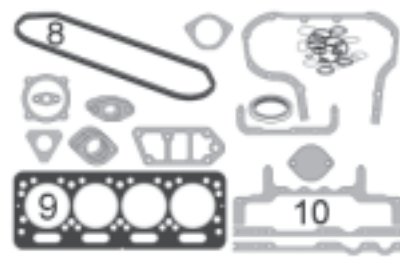
M F



Renault

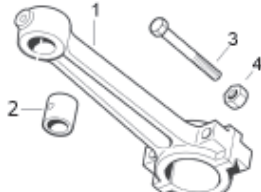
Zetor

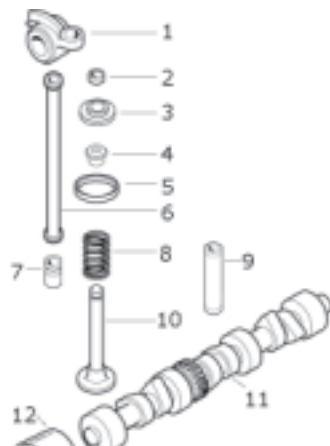
These parts are Sparex parts and are not manufactured by the Original Equipment Manufacturer. Original names, part numbers and descriptions are quoted for reference purposes only and are not intended to indicate or suggest that our replacement parts are made by the OEM.


Ford	Engine	Liner mm			Piston mm			Additional information
	8045...	Cyl.	Bore	Height	Pin	Height	Rings	
					38	108,5	3	Liner Semi-Finished
Models: 4835, 5635, 6635, 7635								

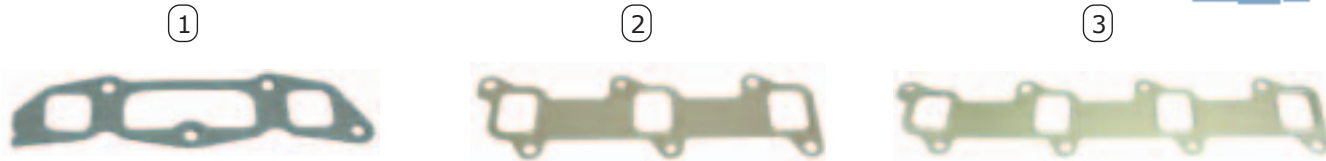
	Description	Remarks	Replaces	Sparex	
	Models 4835 Engine 8045.06				
	1 Piston and Liner Set (per Cyl.) Order Components				
	2	Liner	Semi Finished	4770654	S.62034
	3	Piston with Rings		1930241	S.62022
	4	Ring Set		1930169	S.62028
	Models 5635 Engine 8045.05 6635, 7635 Engine 8045.25				
	1 Piston and Liner Set (per Cyl.) Order Components				
	2	Liner	Semi Finished	4770623	S.62035
	3	Piston with Rings		1930186	S.62023
	4	Ring Set		1930191	S.62029
	6	Top Gasket Set	for 4835	1930260	S.62104
			for 5635	1930249	S.62106
		Complete Gasket Set	for 4835	1909563	S.62103
			for 5635	1930248	S.62105
	8	Rocker Cover Gasket		4845136	S.62126
9	Head Gasket				
10	Sump Gasket		1940004	S.62114	

	1	Main Bearings (1 pair)	Standard	1930176	S.62049
			0,010"	1930177	S.62345
			0,020"	1930178	S.62454
			0,030"		
	2	Conrod Bearings (1 pair)	Standard	1930181	S.62043
			0,010"	1930182	S.62044
			0,020"	1930183	S.62045
			0,030"		
	4	Crankshaft			
	5	Front Oil Seal		98461684	S.62068
	6	Rear Oil Seal		98461686	S.62073

	1	Con Rod (4835,5635)		98461751	S.58941
	2	Small End Bush		4766404	S.62038
	3	Conrod Bolt			
	4	Conrod Nut			

	1	Rocker Arm (Intake)			
		Rocker Arm (Exhaust)			
	2	Collet		14196670	S.59051
	3	Valve Retainer			
	4	Valve Stem Seal			
	5	Inlet Valve Insert			
		Exhaust Valve Insert			
	6	Push Rod			
	7	Tappet/Cam Follow er			
	8	Valve Spring		4780108	S.62066
	9	Inlet/Exhaust Valve Guide		4802126	S.62062
	10	Inlet Valve		4824417	S.62057
	Exhaust Valve		4784889	S.62060	

	13	Oil Pump (only 4835,5635)		4705827	S.62133
	14	Fuel Pump		4757883	S.63039
	15	Water Pump - Single Pulley			



Manifold and Exhaust Gaskets					
Pos	Models	Engine	Remarks	Replaces	Sparex
1	Major 04/56 to 67				S.66557
2	all 3-Cylinder Models		except Dexta	83981486	S.65946
3	all 4-Cylinder Models		except Major	83983680	S.65947

Case IH

David Brown

Deutz

Fendt

Fiatagri

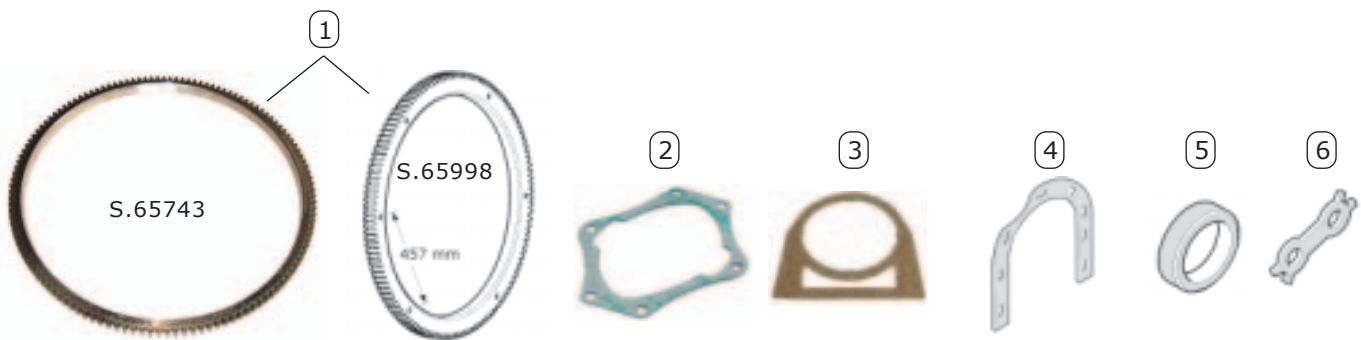
Ford

John Deere

M F

Renault

Zetor



Ring Gear and Crankshaft Seals				
Pos	Description	Engine	Replaces	Sparex
1	Ring Gear	Dexta, Super Dexta mit Perkins A3.144, A3.152	81804209	S.65998
		3, 4 & 6-Cylinder except Dexta and Major	83949153	S.65743
2	Rear Crankshaft Gasket	Perkins A3.144, A3.152	83934357	S.41491
3	Rear Crankshaft Gasket	3, 4 and 6-cylinder Models >11/86 except Dexta & Major	81820964	S.65807
4	Rear Crankshaft Gasket	3, 4 and 6-cylinder Models <12/86 except Dexta & Major	81864478	S.66049
5	Crankshaft Collar	3, 4 and 6-cylinder Models >11/86 except Dexta & Major	81811427	S.73592
6	Fly Wheel Lock Tab	Dexta, Super Dexta (A3.144 A3.152)	81804176	S.40347



Engine Parts suitable for John Deere



Case IH

Tractor Model to Engine Index

Model	Engine	Cyl	Page	Model	Engine	Cyl	Page	Model	Engine	Cyl	Page
T310	3.152D	3	149	2130	4.239D	4	158	4630	6.404T/A	6	170
T510	3.152D	3	149	2140	4.239T	4	159	4640	6.466T/A	6	172
T700	3.152D	3	149	2200	Z6201	4	223	4650	6.466T/A	6	172
T710	4.202D	4	156	2240	3.179D	3	151	4840	6.466T/A	6	172
820	3.152D	3	149	2250	4.239D	4	158	4850	6.466T/A	6	172
830	3.164D	3	150	2300	Z7201	4	229	6010	4.5D/T	4	160
840	3.179D	3	151	2350	4.239D	4	158	6100	4.045D	4	154
920	3.152D	3	149	2400	Z7301			6110	4.5D/T	4	160
930	3.164D	3	150	2450	4.239D	4	158	6200	4.039D	4	153
940	3.179D	3	151	2550	4.239D	4	158	6210	4.039D	4	153
1020	3.152D	3	149	2650	4.239T	4	159	6210	4.5D/T	4	160
1020	3.164D	3	150	2700	Z1201T			6300	4.039D	4	153
1030	3.164D	3	150	2750	4.239T	4	159	6310	4.039D	4	153
1032	4.239D	4	158	2755	4.039D	4	153	6310	4.5D/T	4	160
1040	3.179D	3	151	2850	4.239T	4	159	6400	4.045T	4	155
1042	4.239D	4	158	3030	6.329D	6	166	6410	4.5D/T	4	160
1052	4.239D	4	158	3040	6.359D	6	167	6506	6.059T	6	162
1055	6.359D	6	167	3050	6.359D	6	167	6510	4.045T	4	155
1065	6.359D	6	167	3100	4.039D	4	153	6510	4.5D/T	4	160
1072	6.359D	6	167	3120	6.329D	6	166	6510	6.068D	6	163
1075	6.359D	6	167	3130	6.329D	6	166	6600	6.059T	6	162
1120	3.164D	3	150	3140	6.359D	6	167	6600	6.404D	6	169
1130	3.164D	3	150	3150	6.359D	6	167	6602	6.404D	6	169
1140	3.179D	3	151	3200	4.039D	4	153	6610	4.5D/T	4	160
1350	3.179D	3	151	3210	4.039D	4	153	6610	6.068D	6	163
1520	3.164D	3	150	3300	4.045D	4	154	6800	6.068T	6	164
1530	3.164D	3	150	3310	4.045D	4	154	6810	6.068T	6	164
1550	3.179D	3	151	3350	6.359D	6	167	6900	6.068T	6	164
1630	3.179D	3	151	3410	4.045T	4	155	6910	6.068T	6	164
1640	4.239D	4	158	3640	6.359D / T	6	167/168	7600	6.068T	6	164
1750	3.179D	3	151	3650	6.359T	6	168	7610	6.068T	6	164
1830	4.219D	4	157	4030	6.329D	6	166	7700	6.404D	6	169
1840	4.239D	4	158	4040	6.359T	6	168	7700	6.404T/A	6	170
1850	3.179D	3	151	4050	6.466D	6	171	7710	6.8D/T	6	174
1950	3.179T	3	152	4050	6.359T	6	168	7800	6.076T/A/H	6	165
2000	Z5201	3	221	4055	6.076T/A/H	6	165	7810	6.8D/T	6	174
2020	4.202D	4	156	4230	6.404D	6	169	8100	6.076T/A/H	6	165
2030	4.219D	4	157	4240	6.466D	6	171	8200	6.076T/A/H	6	165
2040	4.239D	4	158	4250	6.466T/A	6	172	8300	6.076T/A/H	6	165
2054	6.068D	6	163	4255	6.076T/A/H	6	165	8430	6.466T/A	6	172
2056	6.076T/A/H	6	165	4350	6.466T/A	6	172	8440	6.466T/A	6	172
2058	6.076T/A/H	6	165	4430	6.404T/A	6	170	8450	6.466T/A	6	172
2064	6.076T/A/H	6	165	4440	6.466T/A	6	172	8570	6.076T/A/H	6	165
2066	6.076T/A/H	6	165	4450	6.466T/A	6	172	8630	6.619A/T	6	173
2100	Z5201	3	221	4455	6.076T/A/H	6	165	8640	6.619A/T	6	173
2120	4.219D	4	157	4555	6.076T/A/H	6	165	8650	6.619A/T	6	173



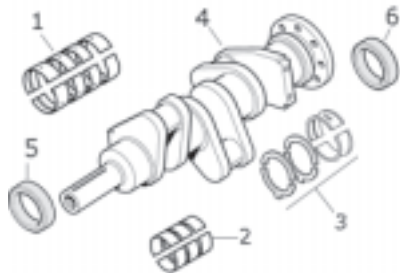
John Deere

Engine	Liner mm			Piston mm			Additional information
	Cyl.	Bore	Height	Pin	Height	Rings	
3.152D	3	98,09	196,74	30,17	99,23	3	

Models: T310, T510, T700, T710, 820, 920, 1020



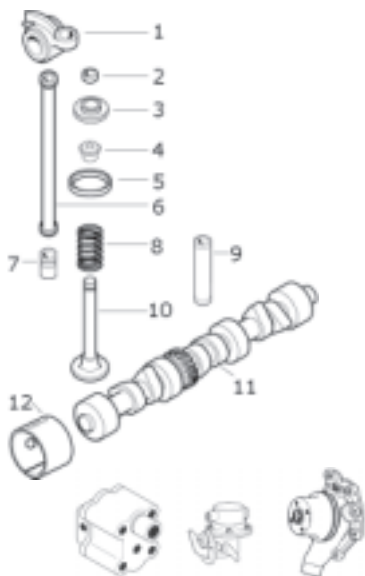
Description	Remarks	Replaces	Sparex
1 Piston and Liner Set (per Cyl.)		PLK481	S.37980
2 Liner	>154765	AR51902	S.37981
3 Piston	O-Ring	T23481	S.72154
4 Ring Set	on Liner	AR70633	S.72161
5 Liner Seal	>75000	AR71617	S.72170
1 Piston and Liner Set (per Cyl.)		AR71591	S.37979
2 Liner	154765>	T32340	S.72166
3 Piston	O-Ring	T23481	S.72154
4 Ring Set	on Block	AR70633	S.72161
5 Liner Seal	>75000	AR71617	S.72170
6 Top Gasket Set		RE38848	S.31600
7 Complete Gasket Set		RE38570	S.31601
8 Rocker Cover Gasket	Cork	T20111	S.72137
	Plastic	R75729	S.58881
9 Head Gasket		R116515	S.31602
10 Sump Gasket		R97341	S.58859



1 Main Bearings (1 pair)	Standard	RE27352	S.20801
	0,010"	RE27353	S.20802
	0,020"	RE27360	S.20803
	0,030"	RE27368	S.20804
2 Conrod Bearings (1 pair)	Standard	RE27348	S.72107
	0,010"	RE27349	S.72108
	0,020"	RE27358	S.72109
3 Thrust Washers (1 pair)	Standard	AT21139	S.20941
	0,010"	AT21132	S.20942
	0,020"	AT21134	S.20943
4 Crankshaft		AT18031	S.72100
5 Front Oil Seal		AR67942	S.72103
6 Rear Oil Seal		RE44574	S.72204



1 Conrod			
2 Small End Bush		T23471	S.72178
3 Conrod Bolt		R74194	S.31603
4 Conrod Nut			



1 Rocker Arm		RE31973	S.72097
Rocker Arm Shaft		R54985	S.31604
2 Collet		T20077	S.31606
3 Valve Retainer		RE11410	S.31607
4 Valve Cap		T20129	S.72098
5 Inlet Valve Insert		R73064	S.31608
Exhaust Valve Insert		R51734	S.31609
6 Push Rod			
7 Tappet/Cam Follow er		T20073	S.31610
8 Inlet Valve Spring		R26125	S.72125
Exhaust Valve Spring		R26125	S.72125
9 Inlet/Exhaust Valve Guide			
10 Inlet Valve		R79623	S.72126
Exhaust Valve		R79624	S.72122
11 Camshaft			
12 Camshaft Bush			
13 Oil Pump		RE35685	S.60037
14 Fuel Pump (Old Type)		RE37482	S.37010
15 Water Pump			

Sparex

Case IH

David Brown

Deutz

Fendt

Fiatagri

Ford

John Deere

M F

Renault

Zetor

These parts are Sparex parts and are not manufactured by the Original Equipment Manufacturer. Original names, part numbers and descriptions are quoted for reference purposes only and are not intended to indicate or suggest that our replacement parts are made by the OEM.

John Deere	Engine	Liner mm			Piston mm		Additional information
	3.164D	Cyl.	Bore	Height	Pin	Height	
		3	101,93 101,98	196,88 196,86	30 35	99,32 112,03	3

Models: 830, 930, 1020, 1030, 1120, 1130, 1520, 1530

Case IH

David Brown

Deutz

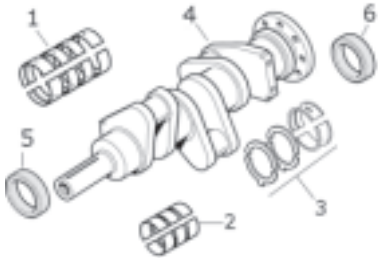


Description	Remarks	Replaces	Sparex
1 Piston and Liner Set (per Cyl.)	>179601		S.37966
2 Liner	O-Ring	AR51903	S.37968
3 Piston (30mm Gudgeon Pin)	on Liner	AR78310	S.37965
4 Ring Set	>75000	AR55759	S.72160
5 Liner Seal		AR71618	S.72171
1 Piston and Liner Set (per Cyl.)	>179601		S.37964
2 Liner	O-Ring	T32343	S.72167
3 Piston (30mm Gudgeon Pin)	on Block	RE53265	S.37965
4 Ring Set	<75000	AR55759	S.72160
5 Liner Seal		AR71618	S.72171
1 Piston and Liner Set (per Cyl.)	179602>	AR90550	S.72163
2 Liner	O-Ring	T32343	S.72167
3 Piston (35mm Gudgeon Pin)	on Block	AR77762	S.72155
4 Ring Set		AR55759	S.72160
5 Liner Seal		AR71618	S.72171
6 Top Gasket Set		RE38848	S.31600
7 Bottom Gasket Set		RE501574	S.31601
8 Rocker Cover Gasket	Cork	T20111	S.72137
	Plastic	R75729	S.58881
9 Head Gasket		R116515	S.72132
10 Sump Gasket		R97341	S.58859

Fendt

Fiatagri

Ford



1 Main Bearings (1 pair)	Standard	RE27352	S.20801
	0,010"	RE27353	S.20802
	0,020"	RE27360	S.20803
	0,030"	RE27368	S.20804
2 Conrod Bearings (1 pair)	Standard	RE27348	S.72107
	0,010"	RE27349	S.72108
	0,020"	RE27358	S.72109
	0,030"	RE27364	S.72110
3 Thrust Washers (1 pair)	Standard	RE21139	S.20941
	0,010"	RE21132	S.20942
	0,020"	RE21134	S.20943
	0,030"	RE21136	S.20944
4 Crankshaft		AT18031	S.72100
5 Front Oil Seal		AR67942	S.72103
6 Rear Oil Seal		RE44574	S.72204

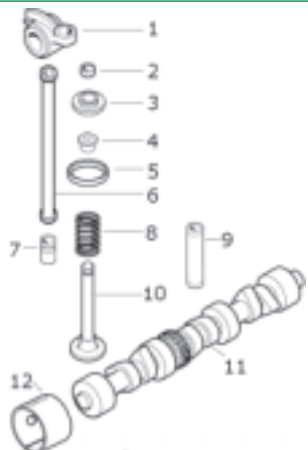
John Deere



1 Conrod			
2 Small End Bush		T23471	S.72178
3 Conrod Bolt		R74194	S.31603

M F

Renault



1	Rocker Arm	RE31973	S.72097
	Rocker Arm Shaft	R54985	S.31604
2	Collet	T20077	S.31606
3	Valve Retainer	RE11410	S.31607
4	Valve Cap	T20129	S.72098
5	Inlet Valve Insert	R73064	S.31608
	Exhaust Valve Insert	R51734	S.31609
6	Push Rod		
7	Tappet/Cam Follow er	T20073	S.31610
8	Inlet Valve Spring	R26125	S.72125
	Exhaust Valve Spring	R26125	S.72125
9	Inlet/Exhaust Valve Guide		
10	Inlet Valve	R79623	S.72126
	Exhaust Valve	R79624	S.72122
11	Camshaft		
12	Camshaft Bush		
13	Oil Pump	RE35685	S.60037
14	Fuel Pump	RE37482	S.37010
15	Water Pump		

Zetor

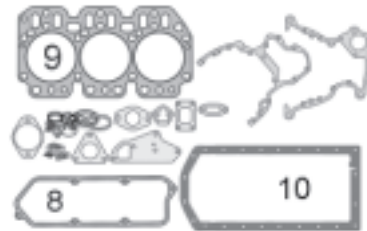
John Deere

Engine	Liner mm			Piston mm			Additional information
	Cyl.	Bore	Height	Pin	Height	Rings	
3.179D	3	106,5	196,93	34,92	112,02	3	

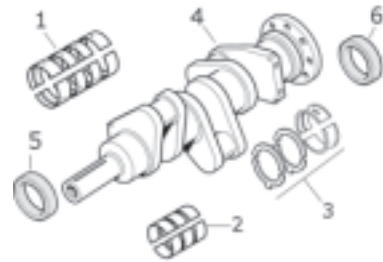
Models: 840, 940, 1040, 1140, 1350, 1550, 1630, 1750, 1850, 2150, 2155, 2240, 2255, 2355



Description	Remarks	Replaces
1 Piston and Liner Set (per Cyl.)		RE24458 S.72164
2 Liner		R80724 S.72169
3 Piston		AR79868 S.72156
4 Ring Set		RE48818 S.72162
5 Liner Seal		AR65507 S.72172



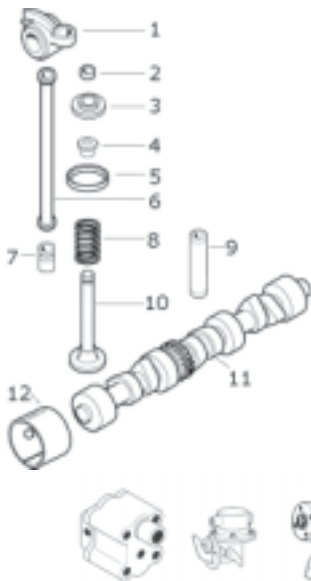
6 Top Gasket Set		RE38850 S.72148
7 Complete Gasket Set		RE37492 S.31605
8 Rocker Cover Gasket		R75729 S.58881
9 Head Gasket		R97356 S.72132
10 Sump Gasket		R97341 S.58859



1 Main Bearings (1 pair)	Standard	RE27352	S.20801
	0,010"	RE27353	S.20802
	0,020"	RE27360	S.20803
2 Conrod Bearings (1 pair)	0,030"	RE27368	S.20804
	Standard	RE27348	S.72107
	0,010"	RE27349	S.72108
3 Thrust Washers (1 pair)	0,020"	RE27358	S.72109
	0,030"	RE27364	S.72110
	Standard	RE21139	S.20941
4 Crankshaft	0,010"	RE21132	S.20942
	0,020"	RE21134	S.20943
	0,030"	RE21136	S.20944
5 Front Oil Seal		AT18031	S.72100
6 Rear Oil Seal		AR67942	S.72103
		RE44574	S.72204



1 Conrod		RE21076	S.72174
2 Small End Bush		R55647	S.72177
3 Conrod Bolt		R80033	S.72181
4 Conrod Nut			



1 Rocker Arm		RE31973	S.72097
Rocker Arm Shaft		R54985	S.31604
2 Collet		T20077	S.31606
3 Valve Retainer		RE11410	S.31607
4 Valve Cap		T20129	S.72098
5 Inlet Valve Insert		R73064	S.31608
Exhaust Valve Insert		R51734	S.31609
6 Push Rod			
7 Tappet/Cam Follow er		T20073	S.31610
8 Inlet Valve Spring		R26125	S.72125
Exhaust Valve Spring		R26125	S.72125
9 Inlet/Exhaust Valve Guide		RE11410	S.31607
10 Inlet Valve		R79623	S.72126
Exhaust Valve		R79624	S.72122
11 Camshaft			
12 Camshaft Bush			
13 Oil Pump		RE35685	S.60037
14 Fuel Pump (Old Type)		RE27667	S.37010
15 Water Pump			

Sparex

Case IH

David Brown

Deutz

Fendt

Fiatagri

Ford

John Deere

M F

Renault

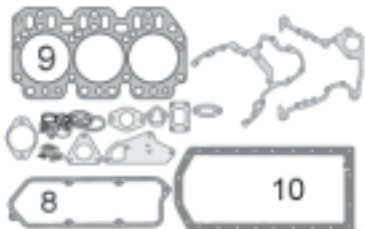
Zetor

These parts are Sparex parts and are not manufactured by the Original Equipment Manufacturer. Original names, part numbers and descriptions are quoted for reference purposes only and are not intended to indicate or suggest that our replacement parts are made by the OEM.

John Deere	Engine	Liner mm			Piston mm			Additional information
	3.179T	Cyl.	Bore	Height	Pin	Height	Rings	
		3	106,5	196,93	41,27	111,97	3	
Models: 1950, 1950N								



Description	Remarks	Replaces	
1 Piston and Liner Set (per Cyl.)		RE33115	S.58846
2 Liner		R80724	S.72169
3 Piston		RE19278	S.58842
4 Ring Set		RE48818	S.72162
5 Liner Seal		AR65507	S.72172

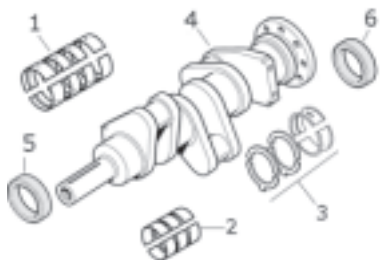


6 Top Gasket Set		RE38850	S.72148
7 Complete Gasket Set		RE37492	S.31605
8 Rocker Cover Gasket		R75729	S.58881
9 Head Gasket		R97356	S.72132
10 Sump Gasket		R97341	S.58859

Case IH

David Brown

Deutz



1 Main Bearings (1 pair)	Standard	RE27352	S.20801
	0,010"	RE27353	S.20802
	0,020"	RE27360	S.20803
	0,030"	RE27368	S.20804
2 Conrod Bearings (1 pair)	Standard	RE27348	S.72107
	0,010"	RE27349	S.72108
	0,020"	RE27358	S.72109
	0,030"	RE27364	S.72110
3 Thrust Washers (1 pair)	Standard	RE21139	S.20941
	0,010"	RE21132	S.20942
	0,020"	RE21134	S.20943
	0,030"	RE21136	S.20944
4 Crankshaft		AT18031	S.72100
5 Front Oil Seal		AR67942	S.72103
6 Rear Oil Seal		RE44574	S.72204

Fendt

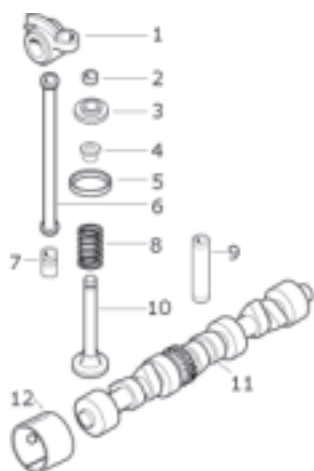
Fiatagri

Ford



1 Conrod			
2 Small End Bush			
3 Conrod Bolt		R80033	S.72181
4 Conrod Nut			

John Deere



1 Rocker Arm		RE31973	S.72097
Rocker Arm Shaft		R54985	S.31604
2 Collet		T20077	S.31606
3 Valve Retainer		RE11410	S.31607
4 Valve Cap		T20129	S.72098
5 Inlet Valve Insert		R73064	S.31608
Exhaust Valve Insert		R51734	S.31609
6 Push Rod			
7 Tappet/Cam Follow er		T20073	S.31610
8 Inlet Valve Spring		R26125	S.72125
Exhaust Valve Spring		R26125	S.72125
9 Inlet/Exhaust Valve Guide		RE11410	S.31607
10 Inlet Valve		R83071	S.72127
Exhaust Valve		R79624	S.72122
11 Camshaft			
12 Camshaft Bush			

M F

Renault

Zetor

13 Oil Pump		RE35685	S.60037
14 Fuel Pump (Old Type)		RE27667	S.37010
15 Water Pump			

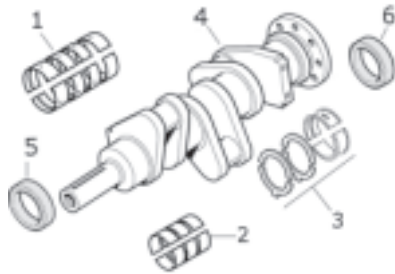
John Deere

Engine	Liner mm			Piston mm			Additional information
	Cyl.	Bore	Height	Pin	Height	Rings	
4.039D	4	106,5	196,93	34,92	112,02	3	

Models: 2755, 3100, 3200, 3210, 6200, 6210, 6300, 6310



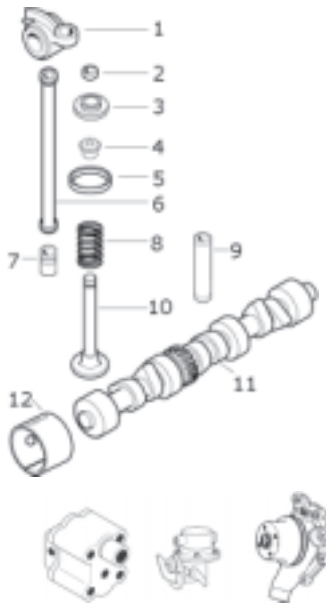
Description	Remarks	Replaces	Sparex
1 Piston and Liner Set (per Cyl.)		RE30250	S.72164
2 Liner		R80724	S.72169
3 Piston (35mm Gudgeon Pin)		AR79868	S.72156
4 Ring Set		RE48818	S.72162
5 Liner Seal		AR65507	S.72172
6 Top Gasket Set		RE38851	S.72149
7 Bottom Gasket Set		RE38857	S.58849
8 Rocker Cover Gasket		R75729	S.58881
9 Head Gasket		R92425	S.72133
10 Sump Gasket		R97342	S.58860



1 Main Bearings (1 pair)	Standard	RE27352	S.20801
	0,010"	RE27353	S.20802
	0,020"	RE27360	S.20803
	0,030"	RE27368	S.20804
2 Conrod Bearings (1 pair)	Standard	RE27348	S.72107
	0,010"	RE27349	S.72108
	0,020"	RE27358	S.72109
	0,030"	RE27364	S.72110
3 Thrust Washers (1 pair)	Standard	RE21139	S.20941
	0,010"	RE21132	S.20942
	0,020"	RE21134	S.20943
	0,030"	RE21136	S.20944
4 Crankshaft		RE50618	S.315001
5 Front Oil Seal		AR67942	S.72103
6 Rear Oil Seal		RE44574	S.72204



1 Conrod	RE21076	S.72174
2 Small End Bush	R55647	S.72177
3 Conrod Bolt	R80033	S.72181
4 Conrod Nut		



1 Rocker Arm		
1 Rocker Arm Shaft		
2 Collet	R91889	S.31611
3 Valve Retainer	RE60005	S.31612
4 Valve Cap	RE31617	S.31613
5 Inlet Valve Insert	R98063	S.31614
5 Exhaust Valve Insert	R85687	S.31615
6 Push Rod		
7 Tappet/Cam Follow er	T20073	S.31610
8 Inlet Valve Spring	R26125	S.72125
8 Exhaust Valve Spring	R26125	S.72125
9 Inlet/Exhaust Valve Guide		
10 Inlet Valve	R98062	S.31616
10 Exhaust Valve	R90692	S.31617
11 Camshaft	R82820	S.31618
12 Camshaft Bush		
13 Oil Pump	RE35685	S.60037
14 Fuel Pump	RE27667	S.37010
15 Water Pump		

Sparex

Case IH

David Brown

Deutz

Fendt

Fiatagri

Ford

John Deere

M F

Renault

Zetor

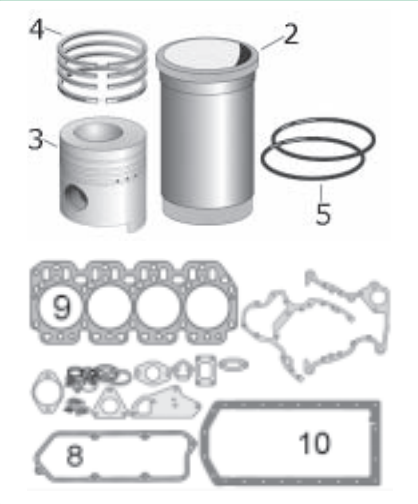
These parts are Sparex parts and are not manufactured by the Original Equipment Manufacturer. Original names, part numbers and descriptions are quoted for reference purposes only and are not intended to indicate or suggest that our replacement parts are made by the OEM.

John Deere	Engine	Liner mm			Piston mm			Additional information
	4.045D	Cyl.	Bore	Height	Pin	Height	Rings	
		4	106,5	196,5	41	112	3	

Models: 3300, 3310, 6100

Case IH

David Brown

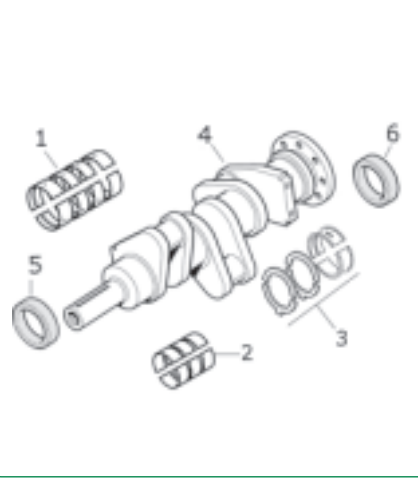


Description	Remarks	Replaces	Sparex
1 Piston and Liner Set (per Cyl.)		RE28966	S.31646
2 Liner		R80500	S.31647
3 Piston		RE28919	S.31648
4 Ring Set		RE48818	S.72162
5 Liner Seal		AR65507	S.72172
6 Top Gasket Set		RE38851	S.72149
7 Complete Gasket Set		RE501586	S.31619
8 Rocker Cover Gasket		R73521	S.58837
9 Head Gasket		R92425	S.72133
10 Sump Gasket		R97342	S.58860

Deutz

Fendt

Fiatagri



1 Main Bearings (1 pair)	Standard	RE27352	S.20801
	0,010"	RE27353	S.20802
	0,020"	RE27360	S.20803
	0,030"	RE27368	S.20804
2 Conrod Bearings (1 pair)	Standard	AR97517	S.72107
	0,010"	AR97653	S.72108
	0,020"	AR97654	S.72109
	0,030"	AR97655	S.72110
3 Thrust Washers (1 pair)	Standard	AT21139	S.20941
	0,010"	AT21132	S.20942
	0,020"	AT21134	S.20943
	0,030"	AT21136	S.20944
4 Crankshaft	60mm snout	RE54883	S.31875
5 Front Oil Seal		AR67942	S.72103
6 Rear Oil Seal		RE44574	S.72204

Ford



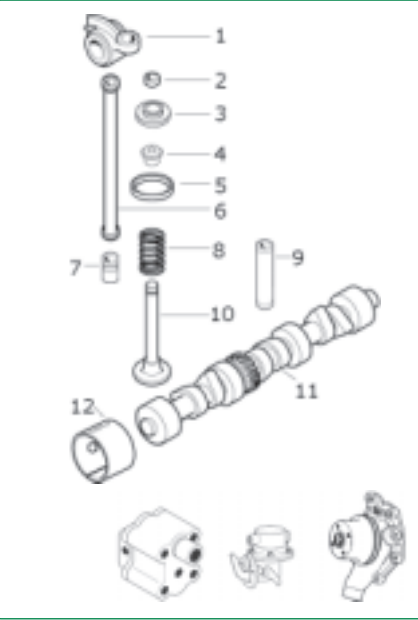
1 Conrod			
2 Small End Bush		R57451	S.72177
3 Conrod Bolt		R74195	S.31651
4 Conrod Nut			

John Deere

M F

Renault

Zetor



1	Rocker Arm	RE31973	S.72097
	Rocker Arm Shaft	R54987	S.31784
2	Collet	R91889	S.31611
3	Valve Retainer	RE60005	S.31612
4	Valve Cap	RE31617	S.31613
5	Inlet Valve Insert	R98063	S.31614
	Exhaust Valve Insert	R85687	S.31615
6	Push Rod		
7	Tappet/Cam Follow er	T20073	S.31610
8	Inlet Valve Spring	R26125	S.72125
	Exhaust Valve Spring	R26125	S.72125
9	Inlet/Exhaust Valve Guide		
10	Inlet Valve	R98062	S.31616
	Exhaust Valve	R90692	S.31617
11	Camshaft	R82820	S.31618
12	Camshaft Bush		
13	Oil Pump	AR79464	S.31652
14	Fuel Pump	RE27667	S.37010
15	Water Pump		

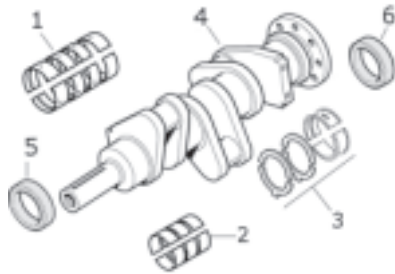
John Deere

Engine	Liner mm			Piston mm			Additional information
	Cyl.	Bore	Height	Pin	Height	Rings	
4.045T	4	106,5	196,5	41	112	3	

Models: 3410, 6400, 6510



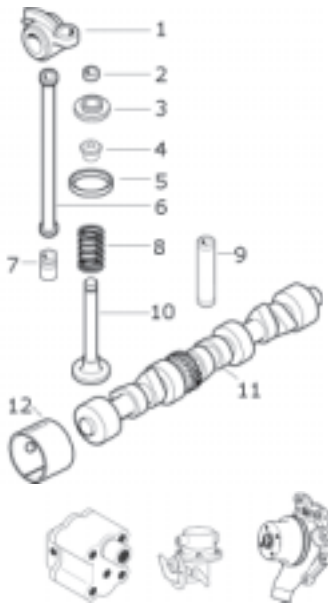
Description	Remarks	Replaces	Sparex
1 Piston and Liner Set (per Cyl.)		RE53073	S.31653
2 Liner		R80500	S.31647
3 Piston		RE48469	S.31654
4 Ring Set		RE48818	S.72162
5 Liner Seal		AR65507	S.72172
6 Top Gasket Set		RE38851	S.72149
7 Complete Gasket Set		RE37715	S.31785
8 Rocker Cover Gasket		R73521	S.58837
9 Head Gasket		R92425	S.72133
10 Sump Gasket		R97342	S.58860



1 Main Bearings (1 pair)	Standard	RE27352	S.20801
	0,010"	RE27353	S.20802
	0,020"	RE27360	S.20803
	0,030"	RE27368	S.20804
2 Conrod Bearings (1 pair)	Standard	AR97517	S.72107
	0,010"	AR97653	S.72108
	0,020"	AR97654	S.72109
	0,030"	AR97655	S.72110
3 Thrust Washers (1 pair)	Standard	AT21139	S.20941
	0,010"	AT21132	S.20942
	0,020"	AT21134	S.20943
4 Crankshaft	60mm snout	RE54883	S.31875
5 Front Oil Seal		AR67942	S.72103
6 Rear Oil Seal		RE44574	S.72204



1 Conrod	RE21076	S.72174
2 Small End Bush	R57451	S.72177
3 Conrod Bolt	R80033	S.72181
4 Conrod Nut		



1 Rocker Arm	RE31973	S.72097
Rocker Arm Shaft	R54987	S.31784
2 Collet	R91889	S.31611
3 Valve Retainer	RE60005	S.31607
4 Valve Cap	RE31617	S.31613
5 Inlet Valve Insert	R98063	S.31614
Exhaust Valve Insert	R85687	S.31615
6 Push Rod		
7 Tappet/Cam Follow er	T20073	S.31610
8 Inlet Valve Spring	R26125	S.72125
Exhaust Valve Spring	R26125	S.72125
9 Inlet/Exhaust Valve Guide		
10 Inlet Valve	R98062	S.31616
Exhaust Valve	R90692	S.31617
11 Camshaft	R82820	S.31618
12 Camshaft Bush		
13 Oil Pump	AR79464	S.31652
14 Fuel Pump	RE27667	S.37010
15 Water Pump		

Sparex

Case IH

David Brown

Deutz

Fendt

Fiatagri

Ford

John Deere

M F

Renault

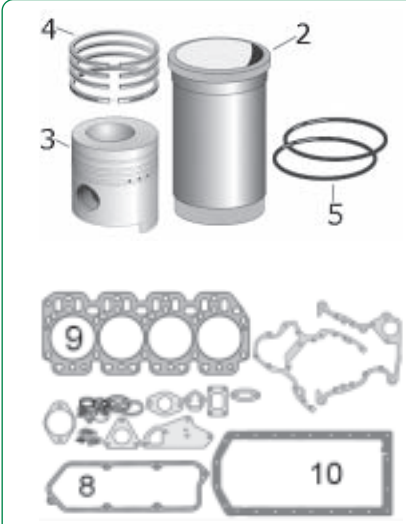
Zetor

These parts are Sparex parts and are not manufactured by the Original Equipment Manufacturer. Original names, part numbers and descriptions are quoted for reference purposes only and are not intended to indicate or suggest that our replacement parts are made by the OEM.

John Deere	Engine	Liner mm			Piston mm			Additional information
	4.202D	Cyl.	Bore	Height	Pin	Height	Rings	
	Models: 2020	4	98,09	196,74	30,17	99,23	3	

Case IH

David Brown

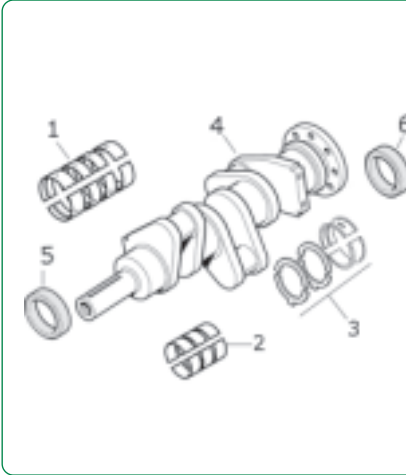


Description	Remarks	Replaces	Sparex
1 Piston and Liner Set (per Cyl.)		PLK481	S.37980
2 Liner	>154765	AR51902	S.37981
3 Piston	O-Ring	T23481	S.72154
4 Ring Set	on Liner	AR70633	S.72161
5 Liner Seal	>75000	AR71617	S.72170
1 Piston and Liner Set (per Cyl.)		AR71591	S.37979
2 Liner	<154765	T32340	S.72166
3 Piston	O-Ring	T23481	S.72154
4 Ring Set	On Block	AR70633	S.72161
5 Liner Seal	<75000	AR71617	S.72170
6 Top Gasket Set		RE38847	S.31622
7 Bottom Gasket Set		RE501570	S.31623
8 Rocker Cover Gasket	Cork	T20075	S.72138
	Plastic	R75729	S.58881
9 Head Gasket		R98461	S.31624
10 Sump Gasket		R97342	S.58860

Deutz

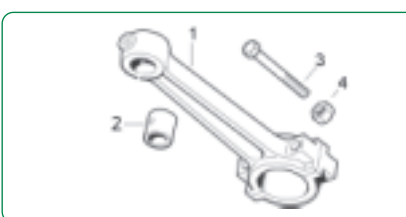
Fendt

Fiatagri



1 Main Bearings (1 pair)	Standard	RE27352	S.20801
	0,010"	RE27353	S.20802
	0,020"	RE27360	S.20803
	0,030"	RE27368	S.20804
2 Conrod Bearings (1 pair)	Standard	RE27348	S.72107
	0,010"	RE27349	S.72108
	0,020"	RE27358	S.72109
	0,030"	RE27364	S.72110
3 Thrust Washers (1 pair)	Standard	AT21139	S.20941
	0,010"	AT21132	S.20942
	0,020"	AT21134	S.20943
	0,030"	AT21136	S.20944
4 Crankshaft		AT18030	S.60785
5 Front Oil Seal		AR67942	S.72103
6 Rear Oil Seal		RE24959	S.72204

Ford



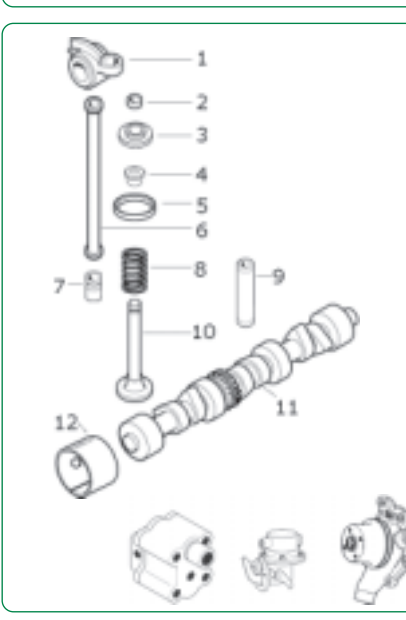
1 Conrod			
2 Small End Bush		T23471	S.72178
3 Conrod Bolt		R74194	S.31603
4 Conrod Nut			

John Deere

M F

Renault

Zetor



1	Rocker Arm	RE31973	S.72097
	Rocker Arm Shaft	RE502874	S.31784
2	Collet	T20077	S.31606
3	Valve Retainer	RE11410	S.31607
4	Valve Cap	T20129	S.72098
5	Inlet Valve Insert	R73064	S.31608
	Exhaust Valve Insert	R51734	S.31609
6	Push Rod		
7	Tappet/Cam Follow er	T20073	S.31610
8	Inlet Valve Spring	R26125	S.72125
	Exhaust Valve Spring	R26125	S.72125
9	Inlet/Exhaust Valve Guide		
10	Inlet Valve	R79623	S.72126
	Exhaust Valve	R79624	S.72122
11	Camshaft	R82820	S.31618
12	Camshaft Bush		
13	Oil Pump	RE35685	S.60037
14	Fuel Pump	RE37482	S.37010
15	Water Pump		

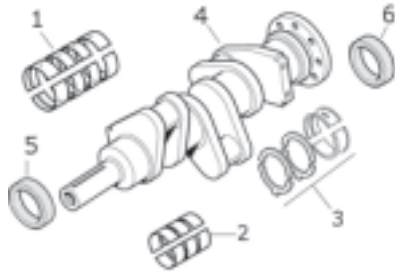
John Deere

Engine	Liner mm			Piston mm			Additional information
	Cyl.	Bore	Height	Pin	Height	Rings	
4.219D	4	101,93	196,88	30,17	99,32	3	
		101,98	196,86	34,92	112,03		

Models: 1830, 2030, 2120,



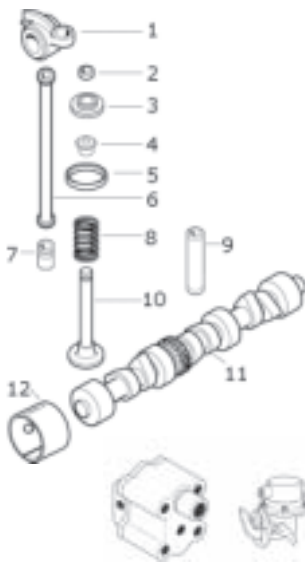
Description	Remarks	Replaces	Sparex
1 Piston and Liner Set (per Cyl.)	>179601		S.37966
2 Liner	O-Ring	AR51903	S.37968
3 Piston (30mm Gudgeon Pin)	on Liner	AR78310	S.37965
1 Piston and Liner Set (per Cyl.)	>179601		S.37964
2 Liner	O-Rings on	T32343	S.72167
3 Piston (30mm Gudgeon Pin)	Block	AR78310	S.37965
1 Piston and Liner Set (per Cyl.)	179602>	AR90550	S.72163
2 Liner	O-Ring	T32343	S.72167
3 Piston (35mm Gudgeon Pin)	on Block	AR77762	S.72155
4 Ring Set		AR55759	S.72160
5 Liner Seal		AR71618	S.72171
6 Top Gasket Set		RE38851	S.72149
7 Bottom Gasket Set		RE501579	S.58849
8 Rocker Cover Gasket	Cork	T20075	S.72138
	Plastic	R73521	S.58837
9 Head Gasket		R116515	S.72133
10 Sump Gasket		R97342	S.58860



1 Main Bearings (1 pair)	Standard	RE27352	S.20801
	0,010"	RE27353	S.20802
	0,020"	RE27360	S.20803
2 Conrod Bearings (1 pair)	0,030"	RE27368	S.20804
	Standard	RE27348	S.72107
	0,010"	RE27349	S.72108
3 Thrust Washers (1 pair)	0,020"	RE27358	S.72109
	0,030"	RE27364	S.72110
	Standard	AT21139	S.20941
4 Crankshaft	0,010"	AT21132	S.20942
	0,020"	AT21134	S.20943
	0,030"	AT21136	S.20944
5 Front Oil Seal		AT18030	S.60785
6 Rear Oil Seal		AR67942	S.72103
		RE44574	S.72204



1 Conrod			
2 Small End Bush		T23471	S.72178
3 Conrod Bolt		R74194	S.31603
4 Conrod Nut			



1 Rocker Arm		RE31973	S.72097
Rocker Arm Shaft		R54987	S.31784
2 Collet		T20077	S.31606
3 Valve Retainer		RE11410	S.31607
4 Valve Cap		T20129	S.72098
5 Inlet Valve Insert		R73064	S.31608
Exhaust Valve Insert		R51734	S.31609
6 Push Rod			
7 Tappet/Cam Follow er		T20073	S.31610
8 Inlet Valve Spring		R26125	S.72125
Exhaust Valve Spring		R26125	S.72125
9 Inlet/Exhaust Valve Guide			
10 Inlet Valve		R79623	S.72126
Exhaust Valve		R79624	S.72122
11 Camshaft		R82820	S.31618
12 Camshaft Bush			
13 Oil Pump		T20129	S.60037
14 Fuel Pump		RE37482	S.37010

Sparex

Case IH

David Brown

Deutz

Fendt

Fiatagri

Ford

John Deere

M F

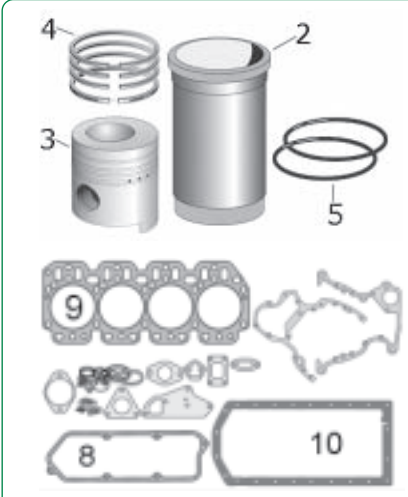
Renault

Zetor

John Deere	Engine	Liner mm			Piston mm			Additional information
	4.239D	Cyl.	Bore	Height	Pin	Height	Rings	
		4	106,5	196,93	34,92	112,02	3	
Models: 1032, 1042, 1052, 1640, 1840, 2040 (S), 2130, 2250, 2350, 2355, 2450, 2550, 3020								

Case IH

David Brown

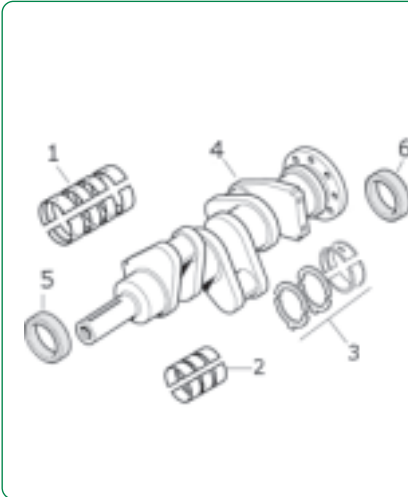


Description	Remarks	Replaces	Sparex
1 Piston and Liner Set (per Cyl.)		RE30250	S.72164
2 Liner		R80724	S.72169
3 Piston		AR79868	S.72156
4 Ring Set		RE48818	S.72162
5 Liner Seal		AR65507	S.72172
6 Top Gasket Set		RE38851	S.72149
7 Bottom Gasket Set		RE37492	S.58849
8 Rocker Cover Gasket		R75729	S.58881
9 Head Gasket		R92425	S.72133
10 Sump Gasket		R97342	S.58860

Deutz

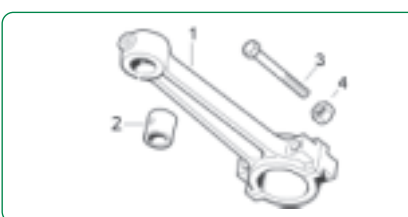
Fendt

Fiatagri



1 Main Bearings (1 pair)	Standard	RE27352	S.20801
	0,010"	RE27353	S.20802
	0,020"	RE27360	S.20803
	0,030"	RE27368	S.20804
2 Conrod Bearings (1 pair)	Standard	RE27348	S.72107
	0,010"	RE27349	S.72108
	0,020"	RE27358	S.72109
3 Thrust Washers (1 pair)	Standard	RE27364	S.72110
	0,010"	AT21139	S.20941
	0,020"	AT21132	S.20942
4 Crankshaft	0,030"	AT21134	S.20943
	Standard	AT21136	S.20944
	36mm snout	AT18030	S.60785
5 Front Oil Seal	60mm snout	RE20585	S.315001
		AR67942	S.72103
6 Rear Oil Seal		RE44574	S.72204

Ford



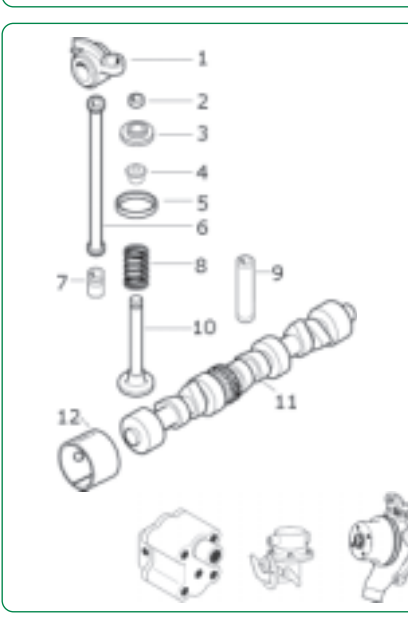
1 Conrod	RE21076	S.72174
2 Small End Bush	R55647	S.72177
3 Conrod Bolt	R80033	S.72181
4 Conrod Nut		

John Deere

M F

Renault

Zetor



1	Rocker Arm	RE31973	S.72097
	Rocker Arm Shaft	R54987	S.31784
2	Collet	T20077	S.31606
3	Valve Retainer	RE11410	S.31607
4	Valve Cap	T20129	S.72098
5	Inlet Valve Insert	R73064	S.31608
	Exhaust Valve Insert	R51734	S.31609
6	Push Rod		
7	Tappet/Cam Follow er	T20073	S.31610
8	Inlet Valve Spring	R26125	S.72125
	Exhaust Valve Spring	R26125	S.72125
9	Inlet/Exhaust Valve Guide	RE11410	S.31607
10	Inlet Valve	R79623	S.72126
	Exhaust Valve	R79624	S.72122
11	Camshaft	R82820	S.31618
12	Camshaft Bush		
13	Oil Pump	RE35685	S.60037
14	Fuel Pump	RE37482	S.37010
15	Water Pump		

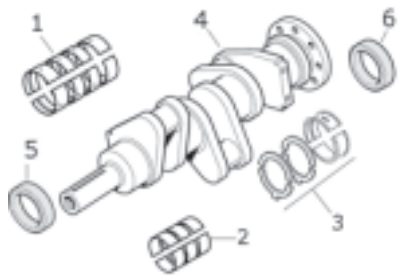
John Deere

Engine	Liner mm			Piston mm			Additional information
	Cyl.	Bore	Height	Pin	Height	Rings	
4.239T	4	106,5	196,93	41,27	111,97	3	

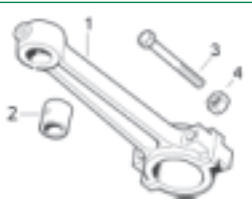
Models: 2140, 2650, 2850



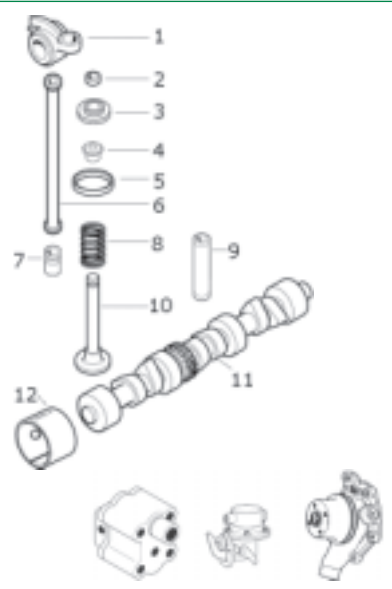
Description	Remarks	Replaces
1 Piston and Liner Set (per Cyl.)		RE33115 S.58846
2 Liner		R80724 S.72169
3 Piston		RE19278 S.58842
4 Ring Set		RE48818 S.72162
5 Liner Seal		AR65507 S.72172
6 Top Gasket Set		RE38851 S.72149
7 Bottom Gasket Set		RE37492 S.58849
8 Rocker Cover Gasket		R75729 S.58881
9 Head Gasket		R92425 S.72133
10 Sump Gasket		R97342 S.58860



1 Main Bearings (1 pair)	Standard	RE27352	S.20801
	0,010"	RE27353	S.20802
	0,020"	RE27360	S.20803
	0,030"	RE27368	S.20804
2 Conrod Bearings (1 pair)	Standard	RE27348	S.72107
	0,010"	RE27349	S.72108
	0,020"	RE27358	S.72109
3 Thrust Washers (1 pair)	Standard	RE27364	S.72110
	0,030"	RE21139	S.20941
	0,010"	RE21132	S.20942
4 Crankshaft	0,020"	RE21134	S.20943
	0,030"	RE21136	S.20944
	36mm snout	AT18030	S.60785
5 Front Oil Seal	60mm snout	RE20585	S.315001
6 Rear Oil Seal		AR67942	S.72103
		RE44574	S.72204



1 Conrod		
2 Small End Bush		
3 Conrod Bolt	R80033	S.72181
4 Conrod Nut		



1 Rocker Arm	RE31973	S.72097
Rocker Arm Shaft	R54987	S.31784
2 Collet	T20077	S.31606
3 Valve Retainer	RE11410	S.31607
4 Valve Cap	T20129	S.72098
5 Inlet Valve Insert	R73064	S.31608
Exhaust Valve Insert	R51734	S.31609
6 Push Rod		
7 Tappet/Cam Follow er	T20073	S.31610
8 Inlet Valve Spring	R26125	S.72125
Exhaust Valve Spring	R26125	S.72125
9 Inlet/Exhaust Valve Guide	RE11410	S.31607
10 Inlet Valve	R83071	S.72127
Exhaust Valve	R79624	S.72122
11 Camshaft		
12 Camshaft Bush		
13 Oil Pump	RE35685	S.60037
14 Fuel Pump (Old Type)	RE27667	S.37010
15 Water Pump		

Sparex

Case IH

David Brown

Deutz

Fendt

Fiatagri

Ford

John Deere

M F

Renault


Zetor

These parts are Sparex parts and are not manufactured by the Original Equipment Manufacturer. Original names, part numbers and descriptions are quoted for reference purposes only and are not intended to indicate or suggest that our replacement parts are made by the OEM.

John Deere	Engine	Liner mm			Piston mm			Additional information
	4.5D/T	Cyl.	Bore	Height	Pin	Height	Rings	
		4	106,5		35 41			
Models: 6010, 6110, 6210, 6310, 6410, 6510, 6610								

Case IH

David Brown

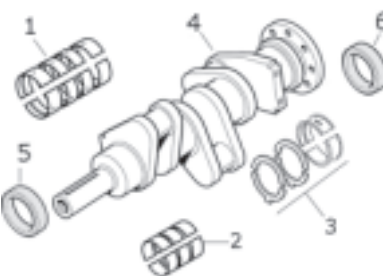


Description	Remarks	Replaces	Sparex
1 Piston and Liner Set (per Cyl.)		RE65966	S.31625
2 Liner	Code 4801	R116383	S.31626
3 Piston	35mm	RE59279	S.31627
4 Ring Set	Gudgeon Pin	RE66271	S.31628
5 Liner Seal		AR65507	S.72172
1 Piston and Liner Set (per Cyl.)	*	RE65969	S.31629
2 Liner		R116383	S.31626
3 Piston	Code 4804	RE55512	S.31630
4 Ring Set	Code 4809	RE66820	S.31631
5 Liner Seal		AR65507	S.72172
6 Top Gasket Set		RE66082	S.31632
7 Complete Gasket Set		R501455	S.31633
8 Rocker Cover Gasket		R123542	S.31634
9 Head Gasket		RE66082	S.31632
10 Sump Gasket		R123352	S.31635

Deutz


Fendt

Fiatagri



1 Main Bearings (1 pair)	Standard	RE65165	S.31636
	0,010"	RE65911	S.31637
	0,020"		
2 Conrod Bearings (1 pair)	Standard	RE65908	S.31638
	0,010"	RE65909	S.31639
	0,020"		
3 Thrust Washers (1 pair)	Standard	RE65168	S.31640
	0,010"	RE65912	S.31641
	0,020"		
4 Crankshaft		RE50618	S.31876
5 Front Oil Seal		RE59810	S.31642
6 Rear Oil Seal		RE24959	S.72204

Ford



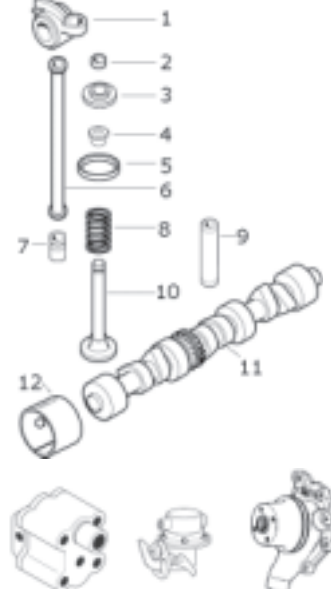
1 Conrod			
2 Small End Bush		R123960	S.31643
3 Conrod Bolt		R114083	S.31644
4 Conrod Nut			

John Deere

M F

Renault

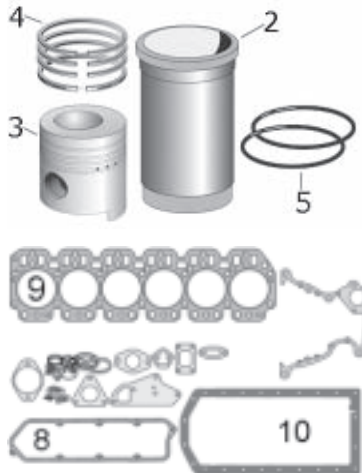
Zetor



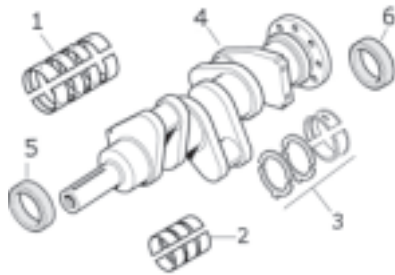
1 Rocker Arm			
Rocker Arm Shaft			
2 Collet		R91889	S.31611
3 Valve Retainer		RE31323	S.31612
4 Valve Cap		RE31617	S.31613
5 Inlet Valve Insert		R98063	S.31614
Exhaust Valve Insert		R85687	S.31615
6 Push Rod			
7 Tappet/Cam Follow er			
8 Inlet Valve Spring		R26125	S.72125
Exhaust Valve Spring		R26125	S.72125
9 Inlet/Exhaust Valve Guide			
10 Inlet Valve		R98062	S.31616
Exhaust Valve		R90692	S.31617
11 Camshaft			
12 Camshaft Bush			
13 Oil Pump			
14 Fuel Pump			
15 Water Pump		RE500737	S.31645

John Deere

Engine	Liner mm			Piston mm			Additional information
	Cyl.	Bore	Height	Pin	Height	Rings	
6.059D	6	106,5		35		3	USA Engine
Models:							



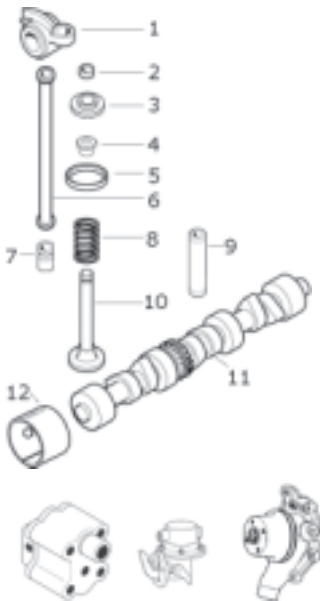
Description	Remarks	Replaces	Sparex
1 Piston and Liner Set (per Cyl.)		RE30250	S.72164
2 Liner		R80724	S.72169
3 Piston (35mm Gudgeon Pin)		AR79868	S.72156
4 Ring Set		RE48818	S.72162
5 Liner Seal		AR65507	S.72172
6 Top Gasket Set		RE38852	S.72152
7 Complete Gasket Set		RE38858	S.31690
8 Rocker Cover Gasket		R75728	S.58838
9 Head Gasket		R92426	S.72134
10 Sump Gasket		R97344	S.58861



1 Main Bearings (1 pair)	Standard	RE27352	S.20801
	0,010"	RE27353	S.20802
	0,020"	RE27360	S.20803
2 Conrod Bearings (1 pair)	Standard	RE27348	S.72107
	0,010"	RE27349	S.72108
	0,020"	RE27358	S.72109
3 Thrust Washers (1 pair)	Standard	RE27364	S.72110
	0,010"	AT21139	S.20941
	0,020"	AT21132	S.20942
4 Crankshaft	0,030"	AT21134	S.20943
	0,030"	AT21136	S.20944
5 Front Oil Seal		AT22562	S.72101
6 Rear Oil Seal		AR67942	S.72103
		RE44574	S.72204



1 Conrod			
2 Small End Bush		R57451	S.72177
3 Conrod Bolt		R80033	S.72181
4 Conrod Nut			



1 Rocker Arm		RE31973	S.72097
Rocker Arm Shaft		RE54986	S.31691
2 Collet		R91889	S.31611
3 Valve Retainer		RE60005	S.31612
4 Valve Cap		RE31617	S.31613
5 Inlet Valve Insert		R98063	S.31614
Exhaust Valve Insert		R85687	S.31615
6 Push Rod			
7 Tappet/Cam Follow er		T20073	S.31610
8 Inlet Valve Spring		R26125	S.72125
Exhaust Valve Spring		R26125	S.72125
9 Inlet/Exhaust Valve Guide			
10 Inlet Valve		R98062	S.31616
Exhaust Valve		R90692	S.31617
11 Camshaft		R82821	S.31655
12 Camshaft Bush			
13 Oil Pump		RE35685	S.60037
14 Fuel Pump		RE37482	S.37010
15 Water Pump			

Sparex

Case IH

David Brown

Deutz

Fendt

Fiatagri

Ford

John Deere

M F

Renault

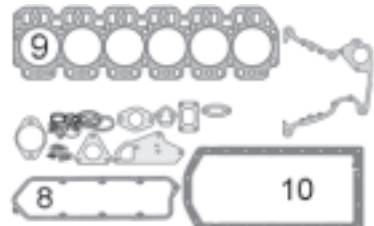
Zetor

These parts are Sparex parts and are not manufactured by the Original Equipment Manufacturer. Original names, part numbers and descriptions are quoted for reference purposes only and are not intended to indicate or suggest that our replacement parts are made by the OEM.

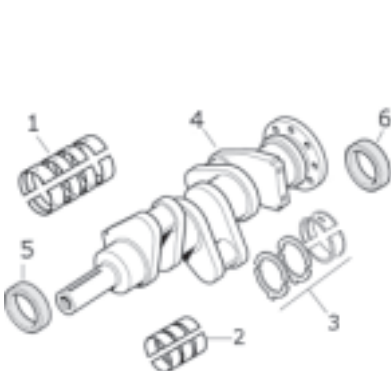
John Deere	Engine	Liner mm			Piston mm			Additional information
	6.059T	Cyl.	Bore	Height	Pin	Height	Rings	
	Models: 6506, 6600	6	106,5		41	111,97	3	



Description	Remarks	Replaces	Sparex
1 Piston and Liner Set (per Cyl.)		RE33115	S.58846
2 Liner		R80724	S.72169
3 Piston (35mm Gudgeon Pin)		RE19278	S.58842
4 Ring Set		RE48818	S.72162
5 Liner Seal		AR65507	S.72172



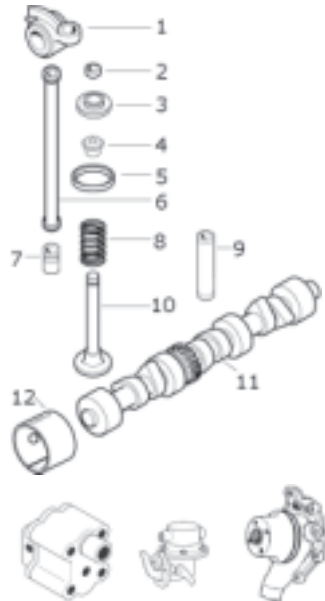
6 Top Gasket Set		RE38852	S.72152
7 Complete Gasket Set		RE38858	S.31690
8 Rocker Cover Gasket		R75728	S.58838
9 Head Gasket		R92426	S.72134
10 Sump Gasket		R97344	S.58861



1 Main Bearings (1 pair)	Standard	RE27352	S.20801
	0,010"	RE27353	S.20802
	0,020"	RE27360	S.20803
	0,030"	RE27368	S.20804
2 Conrod Bearings (1 pair)	Standard	RE27348	S.72107
	0,010"	RE27349	S.72108
	0,020"	RE27358	S.72109
	0,030"	RE27364	S.72110
3 Thrust Washers (1 pair)	Standard	AT21139	S.20941
	0,010"	AT21132	S.20942
	0,020"	AT21134	S.20943
	0,030"	AT21136	S.20944
4 Crankshaft		AT22562	S.72101
5 Front Oil Seal		AR67942	S.72103
6 Rear Oil Seal		RE44574	S.72204



1 Conrod			
2 Small End Bush		R57451	S.72177
3 Conrod Bolt		R80033	S.72181
4 Conrod Nut			

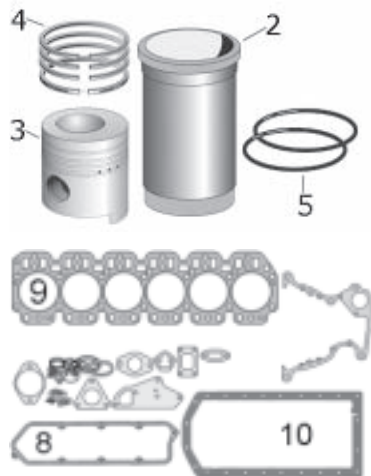


1 Rocker Arm			
Rocker Arm Shaft			
2 Collet		R91889	S.31611
3 Valve Retainer		RE60005	S.31612
4 Valve Cap		RE31617	S.31613
5 Inlet Valve Insert		R98063	S.31614
Exhaust Valve Insert		R85687	S.31615
6 Push Rod			
7 Tappet/Cam Follower			
8 Inlet Valve Spring		R26125	S.72125
Exhaust Valve Spring		R26125	S.72125
9 Inlet/Exhaust Valve Guide			
10 Inlet Valve		R98062	S.31616
Exhaust Valve		R90692	S.31617
11 Camshaft		R82821	S.31655
12 Camshaft Bush			
13 Oil Pump		RE52020	S.31652
14 Fuel Pump		RE37482	S.37010
15 Water Pump			

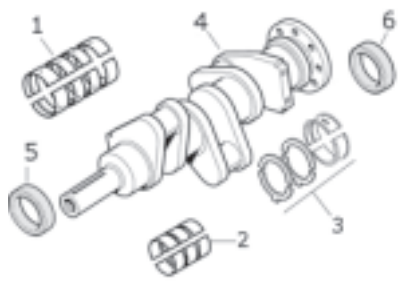
John Deere

Engine	Liner mm			Piston mm			Additional information
	Cyl.	Bore	Height	Pin	Height	Rings	
6.068D	6	106,5		41	112	3	

Models: 2054, 6510, 6610



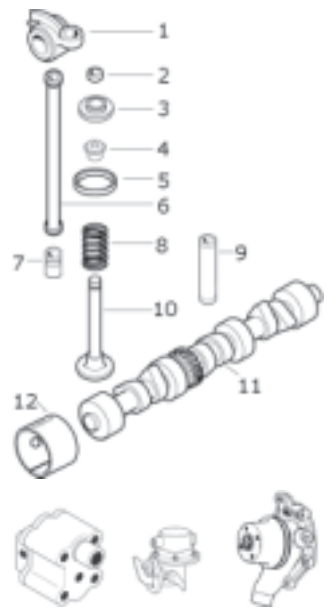
Description	Remarks	Replaces	Sparex
1 Piston and Liner Set (per Cyl.)		RE28966	S.31646
2 Liner		R80500	S.31647
3 Piston		RE28919	S.31648
4 Ring Set		RE48818	S.72162
5 Liner Seal		AR65507	S.72172
6 Top Gasket Set		RE38852	S.72152
7 Complete Gasket Set		RE38555	S.31649
8 Rocker Cover Gasket		R75728	S.58838
9 Head Gasket		R92426	S.72134
10 Sump Gasket		R97344	S.58861



1 Main Bearings (1 pair)	Standard	RE27352	S.20801
	0,010"	RE27353	S.20802
	0,020"	RE27360	S.20803
2 Conrod Bearings (1 pair)	0,030"	RE27368	S.20804
	Standard	AR97517	S.72107
	0,010"	AR97653	S.72108
3 Thrust Washers (1 pair)	0,020"	AR97654	S.72109
	0,030"	AR97655	S.72110
	Standard	AT21139	S.20941
4 Crankshaft	0,010"	AT21132	S.20942
	0,020"	AT21134	S.20943
	0,030"	AT21136	S.20944
5 Front Oil Seal		AR67942	S.72103
6 Rear Oil Seal		RE24959	S.72204



1 Conrod			
2 Small End Bush		R57451	S.72177
3 Conrod Bolt		R74195	S.31651
4 Conrod Nut			



1 Rocker Arm			
Rocker Arm Shaft			
2 Collet		R91889	S.31611
3 Valve Retainer		RE31323	S.31612
4 Valve Cap		RE31617	S.31613
5 Inlet Valve Insert		R98063	S.31614
6 Exhaust Valve Insert		R85687	S.31615
7 Push Rod			
8 Tappet/Cam Follow er		T20073	S.31610
9 Inlet Valve Spring		R26125	S.72125
Exhaust Valve Spring		R26125	S.72125
10 Inlet/Exhaust Valve Guide			
Inlet Valve		R98062	S.31616
Exhaust Valve		R90692	S.31617
11 Camshaft		R82821	S.31617
12 Camshaft Bush			
13 Oil Pump		RE52020	S.31652
14 Fuel Pump		RE27667	S.37010
15 Water Pump			

Sparex

Case IH

David Brown

Deutz

Fendt

Fiatagri

Ford

John Deere

M F

Renault

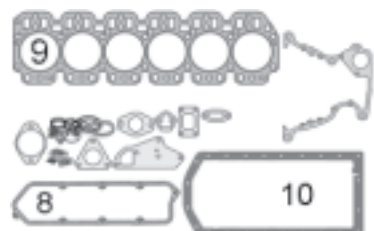
Zetor

These parts are Sparex parts and are not manufactured by the Original Equipment Manufacturer. Original names, part numbers and descriptions are quoted for reference purposes only and are not intended to indicate or suggest that our replacement parts are made by the OEM.

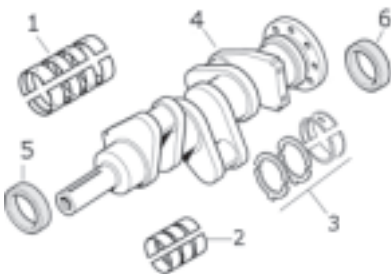
John Deere	Engine	Liner mm			Piston mm			Additional information
	6.068T	Cyl.	Bore	Height	Pin	Height	Rings	
		6	106,5		41	112	3	
Models: 6800, 6810, 6900, 6910, 7600, 7610								



Description	Remarks	Replaces	Sparex
1 Piston and Liner Set (per Cyl.)		RE53073	S.31653
2 Liner		R80500	S.31647
3 Piston		RE48469	S.31654
4 Ring Set		RE48818	S.72162
5 Liner Seal		AR65507	S.72172



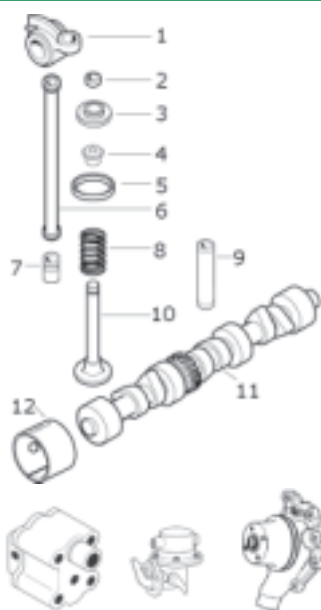
6 Top Gasket Set		RE38852	S.72152
7 Complete Gasket Set		RE38555	S.31649
8 Rocker Cover Gasket		R75728	S.58838
9 Head Gasket		R92426	S.72134
10 Sump Gasket		R75272	S.58860



1 Main Bearings (1 pair)	Standard	RE27352	S.20801
	0,010"	RE27353	S.20802
	0,020"	RE27360	S.20803
	0,030"	RE27368	S.20804
2 Conrod Bearings (1 pair)	Standard	RE97517	S.72107
	0,010"	RE97653	S.72108
	0,020"	RE97654	S.72109
	0,030"	RE97655	S.72110
3 Thrust Washers (1 pair)	Standard	AT21139	S.20941
	0,010"	AT21132	S.20942
	0,020"	AT21134	S.20943
	0,030"	AT21136	S.20944
4 Crankshaft		RE33687	S.31650
5 Front Oil Seal		AR67942	S.72103
6 Rear Oil Seal		RE24959	S.72204



1 Conrod			
2 Small End Bush		R57451	S.72177
3 Conrod Bolt		R74195	S.31651
4 Conrod Nut			

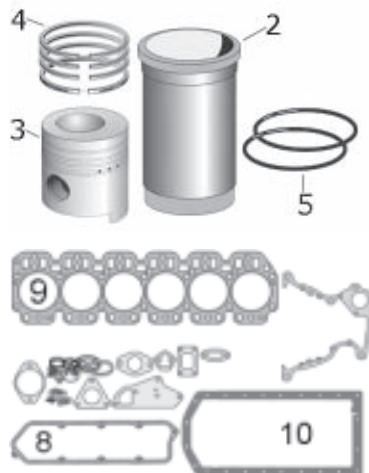


1	Rocker Arm		
	Rocker Arm Shaft		
2	Collet	R91889	S.31611
3	Valve Retainer	RE31323	S.31612
4	Valve Cap	RE31617	S.31613
5	Inlet Valve Insert	R98063	S.31614
	Exhaust Valve Insert	R85687	S.31615
6	Push Rod		
7	Tappet/Cam Follow er	T20073	S.31610
8	Inlet Valve Spring	R26125	S.72125
	Exhaust Valve Spring	R26125	S.72125
9	Inlet/Exhaust Valve Guide		
10	Inlet Valve	R98063	S.31614
	Exhaust Valve	R85687	S.31615
11	Camshaft	R82821	S.31655
12	Camshaft Bush		
13	Oil Pump	RE52020	S.31652
14	Fuel Pump	RE27667	S.37010
15	Water Pump		

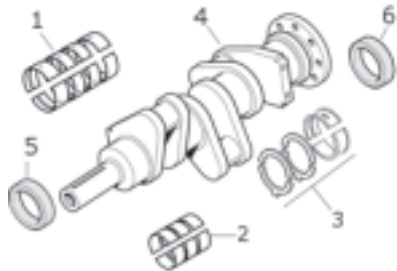
John Deere

Engine	Liner mm			Piston mm			Additional information
	Cyl.	Bore	Height	Pin	Height	Rings	
6.076T/A/H	6	116		47			

Models: 2056, 2058, 2064, 2066, 4055, 4255, 4455, 4555, 7800, 8100, 8200, 8300, 8570



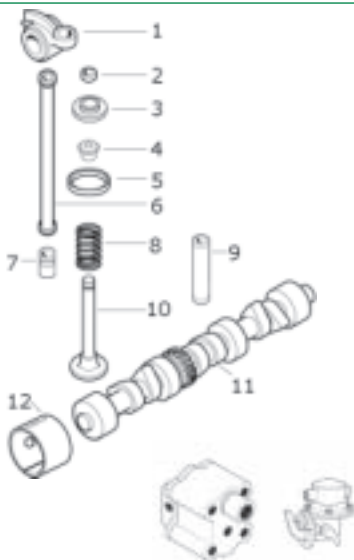
Description	Remarks	Replaces	Sparex
1 Piston and Liner Set (per Cyl.)		RE60297	S.31656
2 Liner		AR63060	S.31657
3 Piston	>500000	RE50868	S.31658
4 Ring Set		RE48380	S.31659
5 Liner Seal		AR98850	S.31660
1 Piston and Liner Set (per Cyl.)		RE60294	S.31661
2 Liner		AR63060	S.31657
3 Piston	500000>	RE57512	S.31662
4 Ring Set		RE57517	S.31663
5 Liner Seal		AR98850	S.31660
6 Top Gasket Set		RE29859	S.31664
7 Complete Gasket Set		RE35647	S.31665
8 Rocker Cover Gasket			
9 Head Gasket		RE47336	S.31666
10 Sump Gasket		R97344	S.58861



1 Main Bearings (1 pair)	Standard	AR74814	S.31667
	0,010"	AR74816	S.31668
	0,020"	AR74817	S.31669
2 Conrod Bearings (1 pair)	Standard	AR97517	S.72107
	0,010"	AR97653	S.72108
	0,020"	AR97654	S.72109
3 Thrust Bearing (1 pair)	Standard	AR97655	S.72110
	0,010"	AR77748	S.31671
	0,020"	AR77750	S.31672
3 Thrust Washers (3 pieces)	0,030"	AR77751	S.31673
	Standard	AR77752	S.31674
4 Crankshaft	Standard	AR77747	S.31675
	0,007"	AR77753	S.31676
5 Front Oil Seal	4755 to 4960	RE53422	S.31677
	6076	RG23551	S.31878
6 Rear Oil Seal		AR49025	S.72103
		RE22764	S.31828



1 Conrod			
2 Small End Bush		R74008	S.31679
3 Conrod Bolt		R66452	S.31680
4 Conrod Nut			



1 Rocker Arm			
1 Rocker Arm Shaft			
2 Collet		T20077	S.31606
3 Valve Retainer		RE11410	S.31607
4 Valve Cap		T20129	S.72098
5 Inlet Valve Insert		R84977	S.31681
5 Exhaust Valve Insert		R84976	S.31682
6 Push Rod			
7 Tappet/Cam Follow er			
8 Inlet Valve Spring		R91822	S.31685
8 Exhaust Valve Spring		R91822	S.31685
9 Inlet/Exhaust Valve Guide			
10 Inlet Valve		R84618	S.31686
10 Exhaust Valve		R84619	S.31687
11 Camshaft		R82821	S.31655
12 Camshaft Bush			
13 Oil Pump		RE60622	S.31688
14 Fuel Pump			

Sparex

Case IH

David Brown

Deutz

Fendt

Fiatagri

Ford

John Deere

M F

Renault

Zetor

John Deere	Engine	Liner mm			Piston mm			Additional information
	6.329D	Cyl.	Bore	Height	Pin	Height	Rings	
		6	101,98	196,86	34,92	112,03	3	

Models: 3030, 3120, 3130, 4030

Case IH

David Brown

Deutz

Fendt

Fiatagri

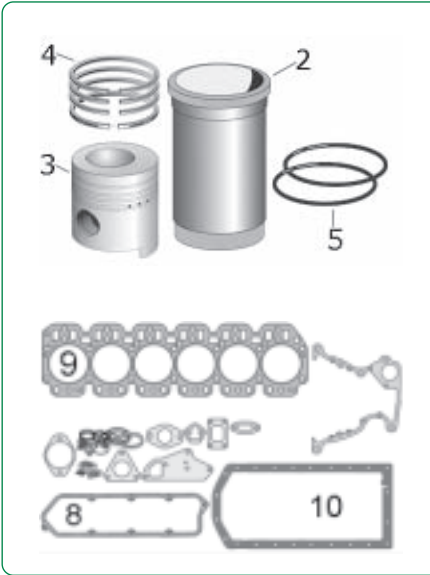
Ford

John Deere

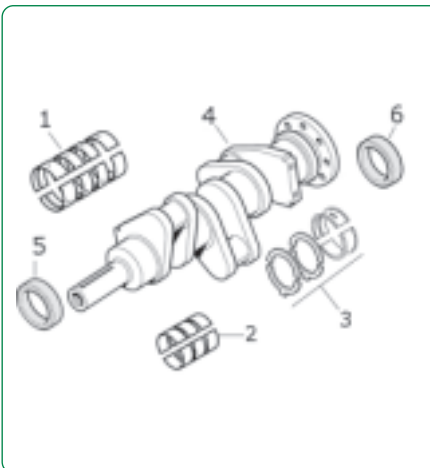
M F

Renault

Zetor



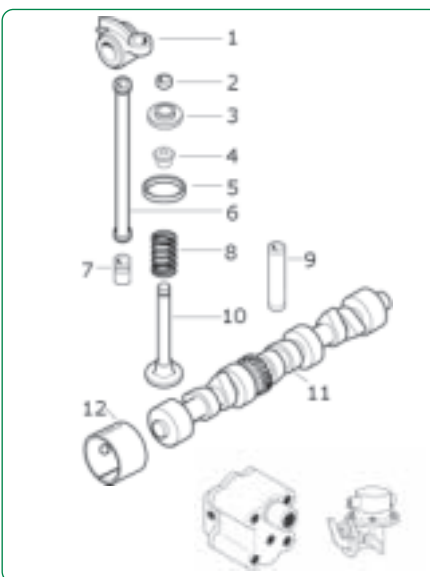
Description	Remarks	Replaces	Sparex
1 Piston and Liner Set (per Cyl.)	>277548		S.37966
2 Liner	O-Ring	AR51903	S.37968
3 Piston (30mm Gudgeon Pin)	on Liner	AR78310	S.37965
1 Piston and Liner Set (per Cyl.)	>277548		S.37964
2 Liner	O-Ring	T32343	S.72167
3 Piston (30mm Gudgeon Pin)	on Block	AR78310	S.37965
1 Piston and Liner Set (per Cyl.)	277459>		S.72163
2 Liner	O-Ring	T32343	S.72167
3 Piston (35mm Gudgeon Pin)	on Block	AR77762	S.72155
4 Ring Set		AR55759	S.72160
5 Liner Seal		AR71618	S.72171
Top Gasket Set		RE38852	S.72152
Complete Gasket Set		RE38859	S.31689
8 Rocker Cover Gasket	Cork	T20467	S.72139
	Plastic	R75728	S.58838
9 Head Gasket		R92426	S.72134
10 Sump Gasket		R97344	S.58861



1 Main Bearings (1 pair)	Standard	RE27352	S.20801
	0,010"	RE27353	S.20802
	0,020"	RE27360	S.20803
	0,030"	RE27368	S.20804
2 Conrod Bearings (1 pair)	Standard	RE27348	S.72107
	0,010"	RE27349	S.72108
	0,020"	RE27358	S.72109
	0,030"	RE27364	S.72110
3 Thrust Washers (1 pair)	Standard	AT21139	S.20941
	0,010"	AT21132	S.20942
	0,020"	AT21134	S.20943
	0,030"	AT21136	S.20944
4 Crankshaft		AT22562	S.72101
5 Front Oil Seal		AR67942	S.72103
6 Rear Oil Seal		RE24959	S.72204



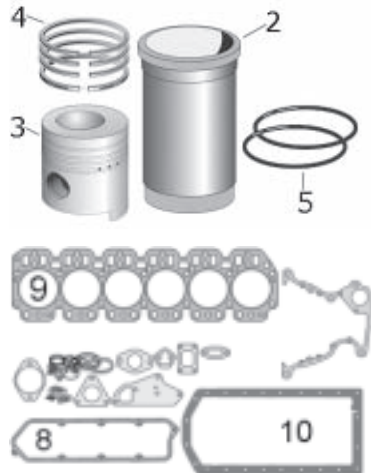
1 Conrod			
2 Small End Bush		T23471	S.72178
3 Conrod Bolt		R74194	S.31603
4 Conrod Nut			



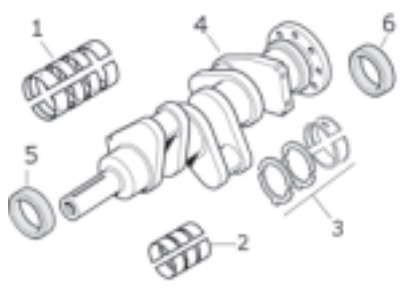
1 Rocker Arm		RE31973	S.72097
Rocker Arm Shaft		R54986	S.31691
2 Collet		T20077	S.31606
3 Valve Retainer		RE11410	S.31607
4 Valve Cap		T20129	S.72098
5 Inlet Valve Insert		R73064	S.31608
Exhaust Valve Insert		R51734	S.31609
6 Push Rod			
7 Tappet/Cam Follow er		T20073	S.31610
8 Inlet Valve Spring		R26125	S.72125
Exhaust Valve Spring		R26125	S.72125
9 Inlet/Exhaust Valve Guide			
10 Inlet Valve		R79623	S.72126
Exhaust Valve		R79624	S.72122
11 Camshaft		R82821	S.31655
12 Camshaft Bush			
13 Oil Pump		RE35685	S.60037
14 Fuel Pump		RE27667	S.37010

John Deere

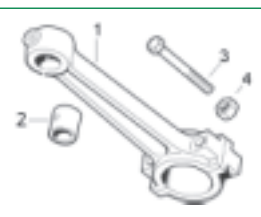
Engine	Liner mm			Piston mm			Additional information
	Cyl.	Bore	Height	Pin	Height	Rings	
6.359D	6	106,5	196,93	34,92	112,02	3	Turbo USA Engine
Models: 1055, 1065, 1072, 1075, 3040, 3050, 3140, 3150, 3350, 3640, 4040							



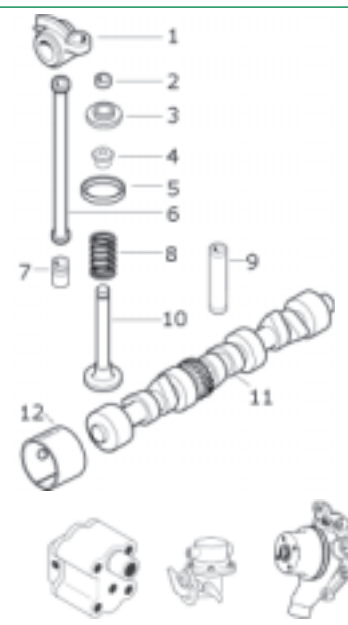
Description	Remarks	Replaces	Sparex
1 Piston and Liner Set (per Cyl.)		RE30250	S.72164
2 Liner		R80724	S.72169
3 Piston (35mm Gudgeon Pin)		AR79868	S.72156
4 Ring Set		RE48818	S.72162
5 Liner Seal		AR65507	S.72172
6 Top Gasket Set		RE38852	S.72152
7 Complete Gasket Set		RE38858	S.31690
8 Rocker Cover Gasket		R75728	S.58838
9 Head Gasket		R92426	S.72134
10 Sump Gasket		R97344	S.58861



1 Main Bearings (1 pair)	Standard	RE27352	S.20801
	0,010"	RE27353	S.20802
	0,020"	RE27360	S.20803
	0,030"	RE27368	S.20804
2 Conrod Bearings (1 pair)	Standard	RE27348	S.72107
	0,010"	RE27349	S.72108
	0,020"	RE27358	S.72109
	0,030"	RE27364	S.72110
3 Thrust Washers (1 pair)	Standard	AT21139	S.20941
	0,010"	AT21132	S.20942
	0,020"	AT21134	S.20943
	0,030"	AT21136	S.20944
4 Crankshaft		AT22562	S.72101
5 Front Oil Seal		AR67942	S.72103
6 Rear Oil Seal		RE24959	S.72204



1 Conrod	RE16495	S.72174
2 Small End Bush	R55647	S.72177
3 Conrod Bolt	R80033	S.72181
4 Conrod Nut		



1 Rocker Arm	RE31973	S.72097
Rocker Arm Shaft	R54986	S.31691
2 Collet	T20077	S.31606
3 Valve Retainer	RE11410	S.31607
4 Valve Cap	T20129	S.72098
5 Inlet Valve Insert	R73064	S.31608
Exhaust Valve Insert	R51734	S.31609
6 Push Rod		
7 Tappet/Cam Follow er	T20073	S.31610
8 Inlet Valve Spring	R26125	S.72125
Exhaust Valve Spring	R26125	S.72125
9 Inlet/Exhaust Valve Guide		
10 Inlet Valve	R79623	S.72126
Exhaust Valve	R79624	S.72122
11 Camshaft	R82821	S.31655
12 Camshaft Bush		
13 Oil Pump	RE35685	S.60037
14 Fuel Pump	RE27667	S.37010
15 Water Pump		

Sparex

Case IH

David Brown

Deutz

Fendt

Fiatagri

Ford

John Deere

M F

Renault

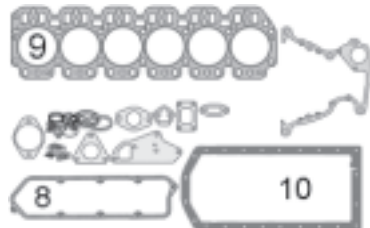
Zetor

These parts are Sparex parts and are not manufactured by the Original Equipment Manufacturer. Original names, part numbers and descriptions are quoted for reference purposes only and are not intended to indicate or suggest that our replacement parts are made by the OEM.

John Deere	Engine	Liner mm			Piston mm			Additional information
	6.359T	Cyl.	Bore	Height	Pin	Height	Rings	
	Models: 3650, 4040 (4040 see also 6.404D Engine)	6	106,5	196,93	41,27	111,97	3	



Description	Remarks	Replaces	Sparex
1 Piston and Liner Set (per Cyl.)		RE33115	S.58846
2 Liner		R80724	S.72169
3 Piston		RE19278	S.58842
4 Ring Set		RE48818	S.72162
5 Liner Seal		AR65507	S.72172



6 Top Gasket Set		RE38852	S.72152
7 Complete Gasket Set		RE38858	S.31690
8 Rocker Cover Gasket		R75728	S.58838
9 Head Gasket		R92426	S.72134
10 Sump Gasket		R97344	S.58861

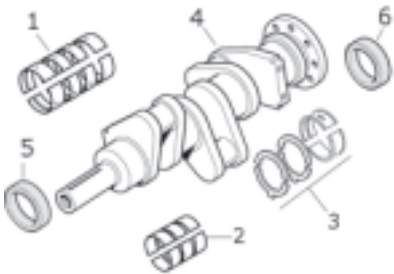
Case IH

David Brown

Deutz

Fendt

Fiatagri



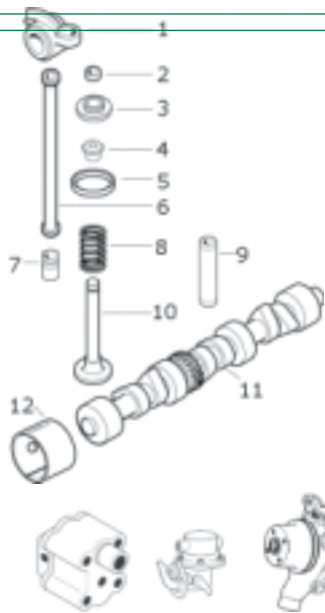
1 Main Bearings (1 pair)	Standard	RE27352	S.20801
	0,010"	RE27353	S.20802
	0,020"	RE27360	S.20803
	0,030"	RE27368	S.20804
2 Conrod Bearings (1 pair)	Standard	RE27348	S.72107
	0,010"	RE27349	S.72108
	0,020"	RE27358	S.72109
	0,030"	RE27364	S.72110
3 Thrust Washers (1 pair)	Standard	RE21139	S.20941
	0,010"	RE21132	S.20942
	0,020"	RE21134	S.20943
	0,030"	RE21136	S.20944
4 Crankshaft		AT22562	S.72101
5 Front Oil Seal		AR67942	S.72103
6 Rear Oil Seal		RE24959	S.72204

Ford



1 Conrod			
2 Small End Bush			
3 Conrod Bolt		R80033	S.72181
4 Conrod Nut			

John Deere



1 Rocker Arm		RE31973	S.72097
Rocker Arm Shaft		R54986	S.31691
2 Collet		T20077	S.31606
3 Valve Retainer		RE11410	S.31607
4 Valve Cap		T20129	S.72098
5 Inlet Valve Insert		R73064	S.31608
Exhaust Valve Insert		R51734	S.31609
6 Push Rod			
7 Tappet/Cam Follow er		T20073	S.31610
8 Inlet Valve Spring		R26125	S.72125
Exhaust Valve Spring		R26125	S.72125
9 Inlet/Exhaust Valve Guide		RE11410	S.31607
10 Inlet Valve		R83071	S.72127
Exhaust Valve		R79624	S.72122
11 Camshaft			
12 Camshaft Bush			
13 Oil Pump		RE35685	S.60037
14 Fuel Pump (Old Type)		RE27667	S.37010
15 Water Pump			

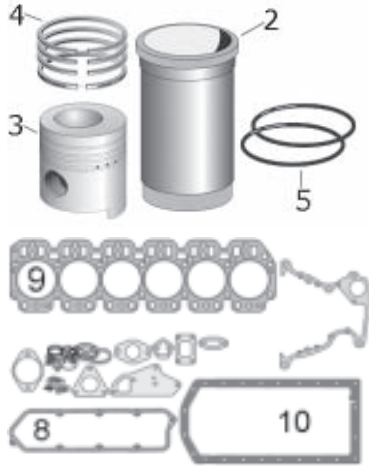
M F

Renault

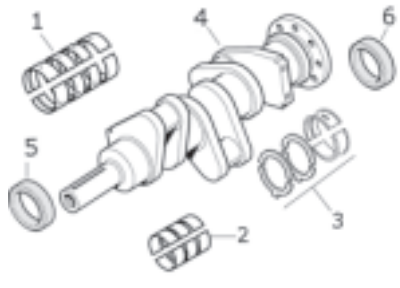
Zetor

Engine	Liner mm			Piston mm			Additional information
	Cyl.	Bore	Height	Pin	Height	Rings	
6.404D	6	108		38			

Models: 4040, 4230, 6600, 6602, 7700 (4040 see also Engine 6.359T)



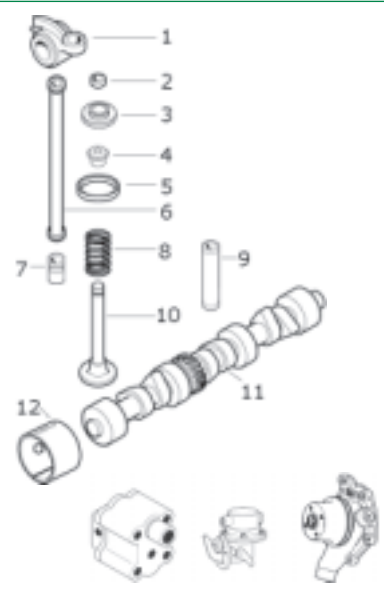
Description	Remarks	Replaces	Sparex
1 Piston and Liner Set (per Cyl.)		RE23160	S.31692
2 Liner		R40615	S.31874
3 Piston		RE23163	S.31693
4 Ring Set		AR65502	S.31694
5 Liner Seal		AR65507	S.72172
6 Top Gasket Set		AR63940	S.31695
7 Complete Gasket Set		AR63938	S.31696
8 Rocker Cover Gasket			
9 Head Gasket		R48291	S.31837
10 Sump Gasket		R71918	S.31838



1 Main Bearings (1 pair)	Standard	AR74814	S.31667
	0,010"	AR74816	S.31668
	0,020"	AR74817	S.31669
	0,030"	AR74818	S.31670
2 Conrod Bearings (1 pair)	Standard	AR45723	S.31839
	0,010"	AR46396	S.31841
	0,020"	AR46397	S.31842
	0,030"	AR46398	S.31843
3 Thrust Bearing (1 pair)	Standard	AR77748	S.31671
	0,010"	AR77750	S.31672
	0,020"	AR77751	S.31673
Thrust Washers (3 pieces)	Standard	AR77747	S.31675
	0,007"	AR77753	S.31676
4 Crankshaft		RE53422	S.31677
5 Front Oil Seal		AR49025	S.72103
6 Rear Oil Seal		RE22764	S.31828



1 Conrod			
2 Small End Bush		R30939	S.31697
3 Conrod Bolt		R66452	S.31680
4 Conrod Nut			



1 Rocker Arm			
Rocker Arm Shaft			
2 Collet		T20077	S.31606
3 Valve Retainer		RE11410	S.31607
4 Valve Cap		T20129	S.72098
5 Inlet Valve Insert		R43680	S.31683
Exhaust Valve Insert		R43681	S.31684
6 Push Rod			
7 Tappet/Cam Follow er			
8 Inlet Valve Spring		R26125	S.72125
Exhaust Valve Spring		R26125	S.72125
9 Inlet/Exhaust Valve Guide			
10 Inlet Valve		R43883	S.31848
Exhaust Valve		R43679	S.31849
11 Camshaft		AR100386	S.31698
12 Camshaft Bush			
13 Oil Pump			
14 Fuel Pump			
15 Water Pump			



Case IH

David Brown

Deutz

Fendt

Fiatagri

Ford

John Deere

M F

Renault

Zetor

These parts are Sparex parts and are not manufactured by the Original Equipment Manufacturer. Original names, part numbers and descriptions are quoted for reference purposes only and are not intended to indicate or suggest that our replacement parts are made by the OEM.

Case IH

David Brown

Deutz

Fendt

Fiatagri

Ford

John Deere

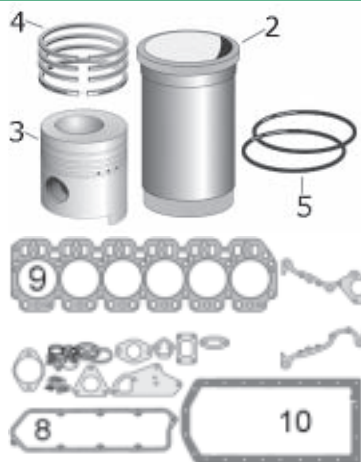
M F

Renault

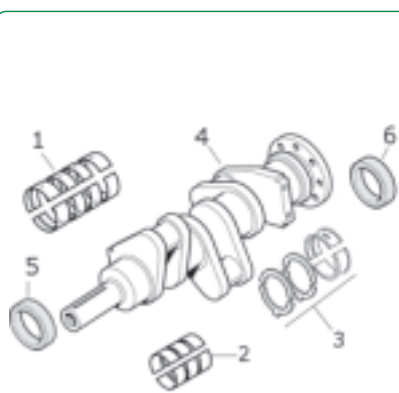
Zetor

John Deere	Engine	Liner mm			Piston mm			Additional information
	6.404T/A	Cyl.	Bore	Height	Pin	Height	Rings	
		6	108		41			

Models: 4430, 4630, 7700



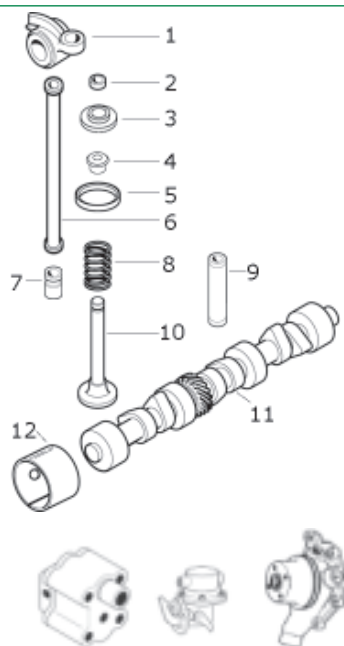
Pos	Description	Remarks	Replaces	Sparex
1	Piston and Liner Set (per Cyl.)		AR63272	S.31833
2	Liner		R40615	S.31874
3	Piston		AR54552	S.31831
4	Ring Set		AR51741	S.31832
5	Liner Seal		AR66507	S.72172
6	Top Gasket Set		AR63270	S.31835
7	Complete Gasket Set		AR53094	S.31836
8	Rocker Cover Gasket			
9	Head Gasket		R48291	S.31837
10	Sump Gasket		R71918	S.31838



1	Main Bearings (1 pair)	Standard	AR74814	S.31667
		0,010"	AR74816	S.31668
		0,020"	AR74817	S.31669
		0,030"	AR74818	S.31670
2	Conrod Bearings (1 pair)	Standard	AR45723	S.31839
		0,010"	AR46396	S.31841
		0,020"	AR46397	S.31842
		0,030"	AR46398	S.31842
3	Thrust Bearing (1 pair)	Standard	AR77748	S.31671
		0,010"	AR77750	S.31672
		0,020"	AR77751	S.31673
		0,030"	AR77752	S.31674
	Thrust Washers (3 pieces)	Standard	AR77747	S.31675
		0,007"	AR77753	S.31676
4	Crankshaft		RE53422	S.31677
5	Front Oil Seal		AR49025	S.72103
6	Rear Oil Seal		RE22764	S.31828



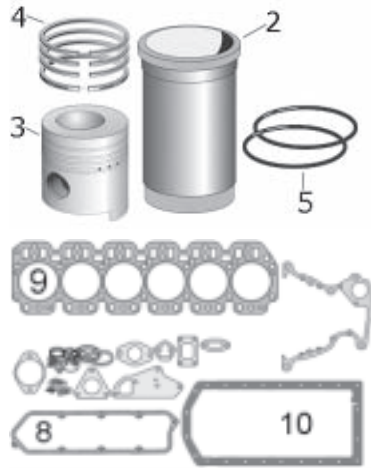
1	Conrod			
2	Small End Bush		R42173	S.31844
3	Conrod Bolt		R66452	S.31680
4	Conrod Nut			



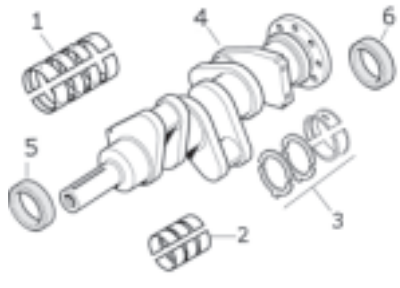
1	Rocker Arm			
	Rocker Arm Shaft			
2	Collet		T20077	S.31606
3	Valve Retainer		RE11410	S.31607
4	Valve Cap		T20129	S.72098
5	Inlet Valve Insert	>335845	R43680	S.31683
	Exhaust Valve Insert		R43681	S.31684
5	Inlet Valve Insert	335846>	R78702	S.31845
	Exhaust Valve Insert		R50356	S.31846
6	Push Rod			
7	Tappet/Cam Follow er			
8	Inlet Valve Spring		R26125	S.31847
	Exhaust Valve Spring		R26125	S.31847
9	Inlet/Exhaust Valve Guide			
10	Inlet Valve	>335845	R43883	S.31848
	Exhaust Valve		R43679	S.31849
10	Inlet Valve	335846>	R50358	S.31851
	Exhaust Valve		R50357	S.31852
11	Camshaft		AR100385	S.31853
12	Camshaft Bush			
13	Oil Pump			
14	Fuel Pump		AR49771	S.31854

John Deere

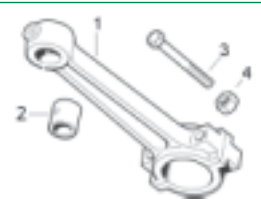
Engine	Liner mm			Piston mm			Additional information
	Cyl.	Bore	Height	Pin	Height	Rings	
6.466D	6	116		41			
Models: 4050, 4240							



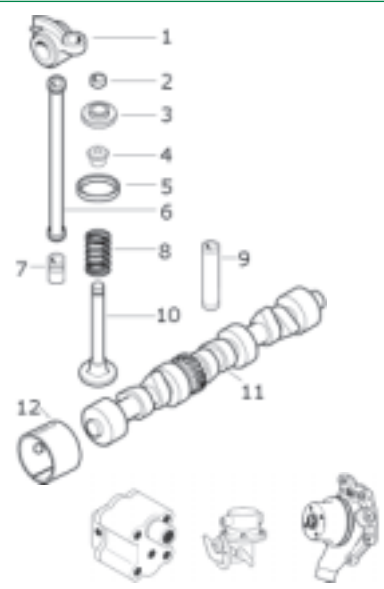
Description	Remarks	Replaces	Sparex
1 Piston and Liner Set (per Cyl.)		AR83610	S.31855
2 Liner		AR63060	S.31657
3 Piston		AR100442	S.31856
4 Ring Set		AR87753	S.31857
5 Liner Seal		AR98850	S.31660
6 Top Gasket Set		AR100632	S.31858
7 Complete Gasket Set		AR100638	S.31859
8 Rocker Cover Gasket			
9 Head Gasket		R66065	S.31861
10 Sump Gasket		R71918	S.31838



1 Main Bearings (1 pair)	Standard	AR74814	S.31667
	0,010"	AR74816	S.31668
	0,020"	AR74817	S.31669
	0,030"	AR74818	S.31670
2 Conrod Bearings (1 pair)	Standard	AR45723	S.31839
	0,010"	AR46396	S.31841
	0,020"	AR46397	S.31842
	0,030"	AR46398	S.31842
3 Thrust Bearing (1 pair)	Standard	AR77748	S.31671
	0,010"	AR77750	S.31672
	0,020"	AR77751	S.31673
Thrust Washers (3 pieces)	Standard	AR77747	S.31675
	0,007"	AR77753	S.31676
4 Crankshaft		RE53422	S.31677
5 Front Oil Seal		AR49025	S.31873
6 Rear Oil Seal		RE22764	S.31828



1 Conrod			
2 Small End Bush		R42173	S.31844
3 Conrod Bolt		R66452	S.31680
4 Conrod Nut			



1 Rocker Arm			
Rocker Arm Shaft			
2 Collet		T20077	S.31606
3 Valve Retainer		RE11410	S.31607
4 Valve Cap		T20129	S.72098
5 Inlet Valve Insert		R43680	S.31683
Exhaust Valve Insert		R43681	S.31684
6 Push Rod			
7 Tappet/Cam Follow er			
8 Inlet Valve Spring		R26125	S.72125
Exhaust Valve Spring		R26125	S.72125
9 Inlet/Exhaust Valve Guide			
10 Inlet Valve		R43883	S.31848
Exhaust Valve		R43679	S.31849
11 Camshaft		AR100386	S.31698
12 Camshaft Bush			
13 Oil Pump			
14 Fuel Pump			
15 Water Pump			

Sparex

Case IH

David Brown

Deutz

Fendt

Fiatagri

Ford

John Deere

M F

Renault

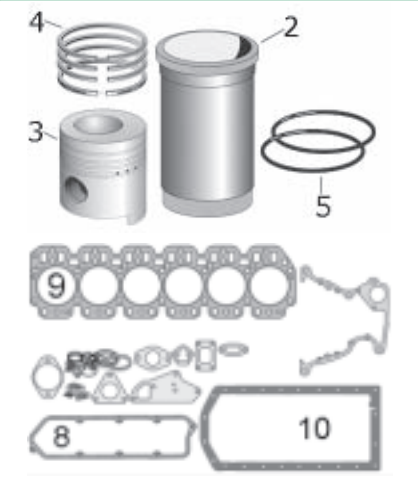
Zetor

These parts are Sparex parts and are not manufactured by the Original Equipment Manufacturer. Original names, part numbers and descriptions are quoted for reference purposes only and are not intended to indicate or suggest that our replacement parts are made by the OEM.

John Deere	Engine	Liner mm			Piston mm			Additional information
	6.466T/A	Cyl.	Bore	Height	Pin	Height	Rings	
		6	116		47			
Models: 4250, 4350, 4440, 4450, 4640, 4650, 4840, 4850, 8430, 8440, 8450								

Case IH

David Brown

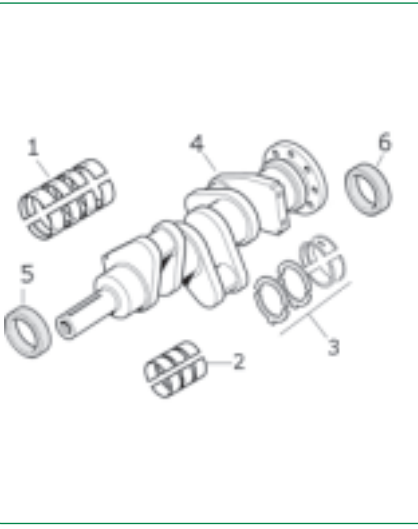


Description	Remarks	Replaces	Sparex
1 Piston and Liner Set (per Cyl.)		AR72079	S.31862
2 Liner	>253372	AR63060	S.31657
3 Piston		AR93629	S.31863
1 Piston and Liner Set (per Cyl.)		AR100646	S.31864
2 Liner	253373>	AR63060	S.31657
3 Piston		AR100616	S.31865
4 Ring Set		RE48380	S.31659
5 Liner Seal		AR98850	S.31660
6 Top Gasket Set		AR98851	S.31866
7 Complete Gasket Set		AR98845	S.31867
8 Rocker Cover Gasket			
9 Head Gasket		RE47336	S.31666
10 Sump Gasket		R71918	S.31838

Deutz

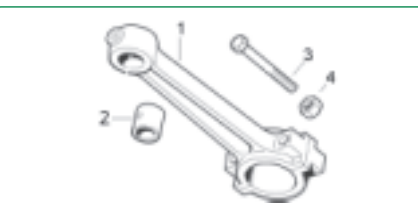
Fendt

Fiatagri



1 Main Bearings (1 pair)	Standard	AR74814	S.31667
	0,010"	AR74816	S.31668
	0,020"	AR74817	S.31669
	0,030"	AR74818	S.31670
2 Conrod Bearings (1 pair)	Standard	AR73277	S.31868
	0,010"	AR73279	S.31869
	0,020"	AR73280	S.31870
	0,030"	AR73281	S.31871
3 Thrust Bearing (1 pair)	Standard	AR77748	S.31671
	0,010"	AR77750	S.31672
	0,020"	AR77751	S.31673
	0,030"	AR77752	S.31674
3 Thrust Washers (3 pieces)	Standard	AR77747	S.31675
	0,007"	AR77753	S.31676
4 Crankshaft		RE53422	S.31677
5 Front Oil Seal		AR49025	S.31873
6 Rear Oil Seal		RE22764	S.31828

Ford



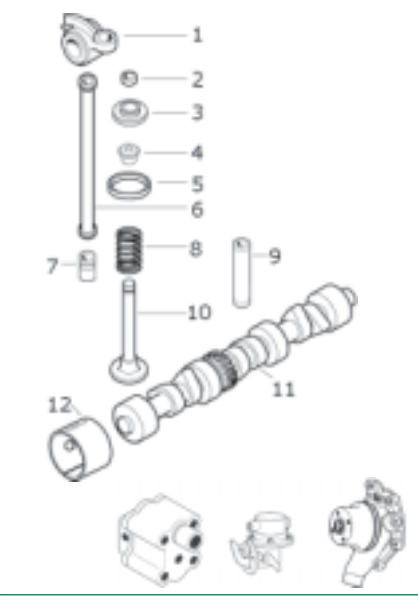
1 Conrod			
2 Small End Bush		R60724	S.31739
3 Conrod Bolt		R66452	S.31680
4 Conrod Nut			

John Deere

M F

Renault

Zetor

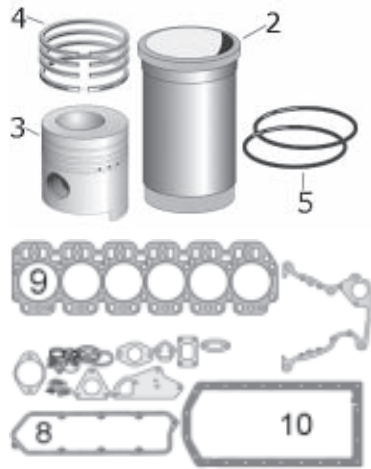


1 Rocker Arm			
Rocker Arm Shaft			
2 Collet		T20077	S.31606
3 Valve Retainer		RE11410	S.31607
4 Valve Cap		T20129	S.72098
5 Inlet Valve Insert		R78702	S.31845
Exhaust Valve Insert		R50356	S.31846
6 Push Rod			
7 Tappet/Cam Follow er			
8 Inlet Valve Spring		R26125	S.72125
Exhaust Valve Spring		R26125	S.72125
9 Inlet/Exhaust Valve Guide			
10 Inlet Valve		R50358	S.31851
Exhaust Valve		R50357	S.31852
11 Camshaft		AR100385	S.31853
12 Camshaft Bush			
13 Oil Pump			
14 Fuel Pump			
15 Water Pump			

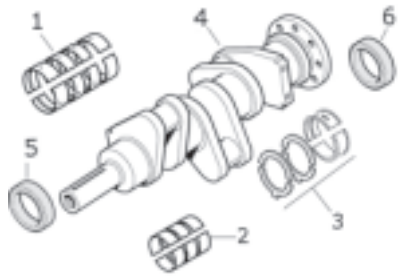
John Deere

Engine	Liner mm			Piston mm			Additional information
	Cyl.	Bore	Height	Pin	Height	Rings	
6.619AT	6	130		50,8			

Models: 8630, 8640, 8650



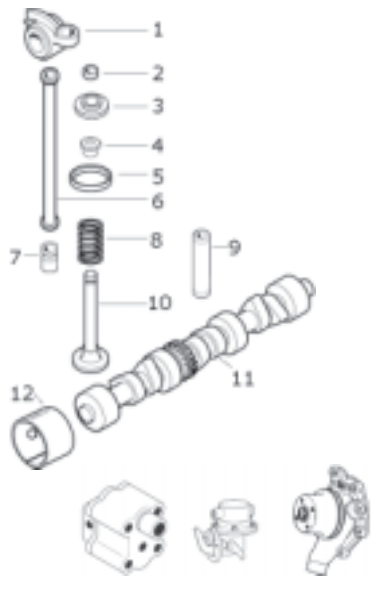
Description	Remarks	Replaces	Sparex
1 Piston and Liner Set (per Cyl.)		RE20291	S.31740
2 Liner	>049059	R65629	S.31741
3 Piston		RE20275	S.31742
1 Piston and Liner Set (per Cyl.)		RE40476	S.31745
2 Liner	049060>	R77640	S.31746
3 Piston		RE20275	S.31742
4 Ring Set		AR82355	S.31743
5 Liner Seal		AR72351	S.31744
6 Top Gasket Set		RE37417	S.31747
7 Complete Gasket Set		RE37416	S.31748
8 Rocker Cover Gasket			
9 Head Gasket		RE34009	S.31749
10 Sump Gasket		R71919	S.31750



1 Main Bearings (1 pair)	Standard	AR101268	S.31751
	0,010"	AR104122	S.31752
2 Conrod Bearings (1 pair)	Standard	AR101271	S.31755
	0,010"	AR104130	S.31756
3 Thrust Washers (1 pair)	Standard	AR101269	S.31759
	0,010"	AR104126	S.31760
4 Crankshaft		AR92533	S.31763
5 Front Oil Seal		AR49025	S.72103
6 Rear Oil Seal		RE13310	S.31764



1 Conrod			
2 Small End Bush		R69045	S.31765
3 Conrod Bolt		R66453	S.31766
4 Conrod Nut			



1 Rocker Arm			
Rocker Arm Shaft			
2 Collet		R35431	S.31767
3 Valve Retainer		R81086	S.31768
4 Valve Cap			
5 Inlet Valve Insert		R59894	S.31770
Exhaust Valve Insert		R60537	S.31771
6 Push Rod			
7 Tappet/Cam Follow er			
8 Inlet Valve Spring		R49569	S.31772
Exhaust Valve Spring		R49571	S.31773
9 Inlet/Exhaust Valve Guide			
10 Inlet Valve		R75690	S.31774
Exhaust Valve		R63982	S.31775
11 Camshaft			
12 Camshaft Bush			
13 Oil Pump			
14 Fuel Pump			
15 Water Pump			

Sparex

Case IH

David Brown

Deutz

Fendt

Fiatagri

Ford

John Deere

M F

Renault

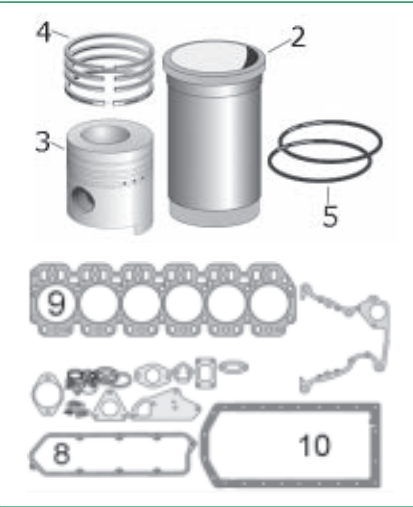
Zetor

These parts are Sparex parts and are not manufactured by the Original Equipment Manufacturer. Original names, part numbers and descriptions are quoted for reference purposes only and are not intended to indicate or suggest that our replacement parts are made by the OEM.

John Deere	Engine	Liner mm			Piston mm			Additional information
	6.8D/T	Cyl.	Bore	Height	Pin	Height	Rings	
		6	106,5		35 41			
Models: 4700, 7710, 7810, 6700, 7445, 7455, 7210, 7405, 7410, 7510, 7610, 9400, 9410, 9935								

Case IH

David Brown

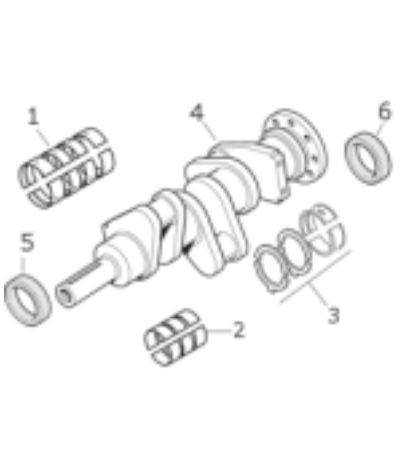


Description	Remarks	Replaces	Sparex
1 Piston and Liner Set (per Cyl.)	6700, 7445, 7455, 9935	RE65967	S.31777
2 Liner		R116383	S.31626
3 Piston		RE59277	S.31778
4 Ring Set	35mm	RE66271	S.31628
5 Liner Seal	Gudgeon Pin	AR65507	S.72172
1 Piston and Liner Set (per Cyl.)	4700, 7210, 7405, 7410, 7510, 7610,	RE65969	S.31629
2 Liner		R116383	S.31626
3 Piston		RE55512	S.31630
4 Ring Set	7710, 7810, 9400,	RE66820	S.31631
5 Liner Seal	9410	AR65507	S.72172
6 Top Gasket Set		RE66085	S.31779
7 Complete Gasket Set		R501456	S.31780
8 Rocker Cover Gasket		R123543	S.31781
9 Head Gasket		R116516	S.31782
10 Sump Gasket		R123354	S.31783

Deutz

Fendt

Fiatagri



1 Main Bearings (1 pair)	Standard	RE65165	S.31636
	0,010"	RE65911	S.31637
	0,020"		
2 Conrod Bearings (1 pair)	Standard	RE65908	S.31638
	0,010"	RE65909	S.31639
	0,020"		
3 Thrust Washers (1 pair)	Standard	RE65168	S.31640
	0,010"	RE65912	S.31641
	0,020"		
4 Crankshaft			
5 Front Oil Seal		RE59810	S.31642
6 Rear Oil Seal		RE24959	S.72204

Ford



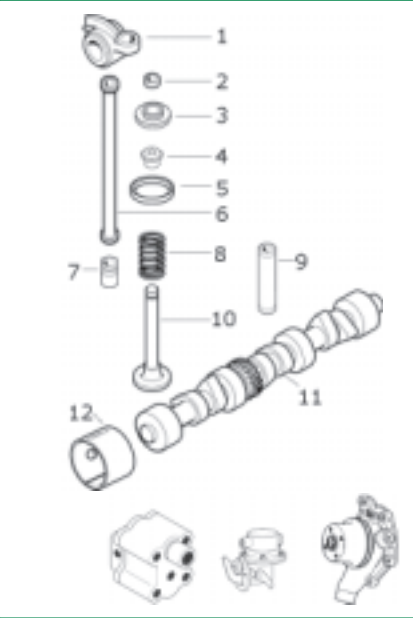
1 Conrod			
2 Small End Bush		R123960	S.31643
3 Conrod Bolt		R114083	S.31644
4 Conrod Nut			

John Deere

M F

Renault

Zetor



1 Rocker Arm			
Rocker Arm Shaft			
2 Collet		R91889	S.31611
3 Valve Retainer		RE31323	S.31612
4 Valve Cap			
5 Inlet Valve Insert		R98063	S.31614
Exhaust Valve Insert		R85687	S.31615
6 Push Rod			
7 Tappet/Cam Follow er			
8 Inlet Valve Spring		R26125	S.72125
Exhaust Valve Spring		R26125	S.72125
9 Inlet/Exhaust Valve Guide		RE31323	S.31612
10 Inlet Valve		R98062	S.31616
Exhaust Valve		R90692	S.31617
11 Camshaft			
12 Camshaft Bush			
13 Oil Pump			
14 Fuel Pump			
15 Water Pump			



S.60556



S.31879



S.31883



Injectors			
Engine	Replaces	Sparex	
3.152D 3.164D 3.179D 4.202D 4.219D 4.239D 6.068D 6.329D 6.359D	AR89564	S.60556	
6.404D	AR50781	S.31879	
4.039D 6.059D	RE36935	S.31880	
4.045D 4.045T 6.059T 6.068T	RE36939	S.31881	
4.5DT Turbo 6.8D/T	RE48786	S.31882	
4.5D/T	RE60062	S.31883	



Seals for Injector			
Engine	Pack Qty	Replaces	Sparex
3.152D	12 pieces	R60746	S.11458
4.239D	12 pieces	R48000	S.11457
4.5D/T, 6.8D/T		RE32011	S.31884



Heater Plug			
Models	Engine	Replaces	Sparex
820 bis 2750		AR63103	S.40627



Cylinder Head Bolts			
Engine	Replaces	Sparex	
3.179D 4.039D 4.045D 4.045T 4.239D 4.5D/T 6.059D 6.059T 6.068D 6.068T 6.359D 6.8D/T	R85363	S.31885	

S.61751



S.58857



S.60559 | S.58858



Exhaust Gaskets				
Models	Remarks	Replaces	Sparex	
1 820, 830, 1020, 1520, 2020, 2030, 2040, 2240, 2440, 2510, 2520, 2630, 2640		T20006	S.61751	
2 840, 940, 1040, 1140, 1350, 1550, 1640, 1750, 1840, 1850, 2040, 2150, 2250, 2350, 2355, 2450, 2550, 2555		L62441	S.58857	
3 830, 840, 930, 940, 1020, 1030, 1040, 1120, 1130, 1140, 1350, 1550, 1630, 1750, 1830, 1850, 2020, 2030, 2120, 2130, 2240, 2440, 2640		R98844	S.60559	
4 2840, 2950, 2955, 3030, 3050, 3055, 3120, 3130, 3150, 3155, 3350, 3640		R31142	S.58858	

Case IH

David Brown

Deutz

Fendt

Fiataagri

Ford

John Deere

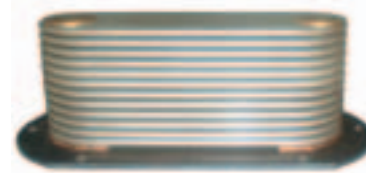
M F

Renault

Zetor



Case IH

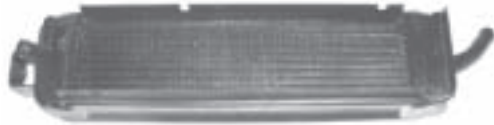


David Brown

Engine Oil Cooler

Engine	Remarks	Replaces	Sparex
1 3.152D 3.164D 3.179D 4.039D 4.045D 4.045T 4.202D 4.419D 4.239D 6.059D 6.059T 6.329D 6.359D		RE31929	S.31886
2 6.404D 6.404T 6.466D 6.466T/A		AR55394	S.31887
3 6.404A		AT25038	S.31888

Deutz



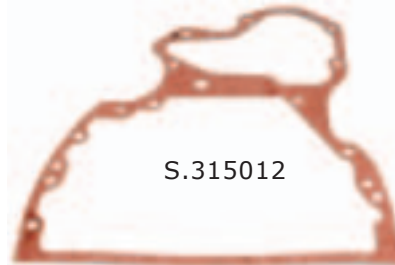
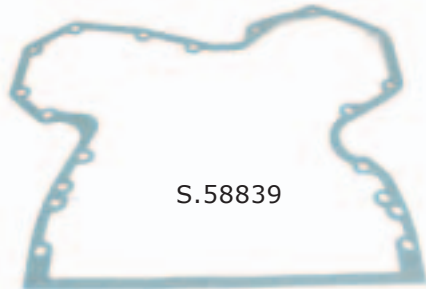
Fendt

Hydraulic Oil Cooler

Models	Engine	Replaces	Sparex
830, 930, 1020, 1030, 1130, 2020, 2030, 2120, 2130		AT20848	S.315009
1040, 1640, 1840, 2040, 2140, 3040, 3140, 3340, 3640		AL38448	S.315010

Fiatagri

Ford



John Deere

Timing Cover Gaskets

Engine	Replaces	Sparex
3.164D 3.179D 4.219D 4.202D 4.239D 4.239T 6.303D 6.329D 6.359D	T20155 R97454	S.58839
	T24965 R73140	S.315012

M F

Renault

Zetor



Ring Gear

Models	Replaces	Sparex
820 to 3650	T20088	S.60507



Thrust Washers		
Models	Replaces	Sparex
3.164D 3.179D 3.179T 4.219D 4.202D 4.239D 4.239T 6.303D 6.329D 6.359D 6.6359T	RE13571	S.58820

Case IH



Crankshaft Gears		
Models	Replaces	Sparex
820 to 3650	T20094	S.72106

David Brown

Crankshaft Pulley		
Models	Replaces	Sparex
2020, 2030, 2630 (2440 and 2640 >340999)	R80808	S.60418

Deutz

Fendt



Digital Caliper Gauge

S.14404

Fiatagri

Ford

John Deere

M F



Renault

Zetor



Tractor / Combine Model to Engine Index

	Model	Engine	Cyl	Page	Model	Engine	Cyl	Page	Model	Engine	Cyl	Page	Model	Engine	Cyl	Page
Case IH	TE20	80mm	4		255	AD3.152	3	182	393	A4.248	4	196	2680	AT6.354.4	6	206
	TEA20	85mm-Petr.	4	183	260	AD4.203	4	189	394F	A4.248	4	196	2685	AT6.354.4	6	206
	TED20	85mm-VO	4	183	263	AT3.152.4			397	A4.248	4	196	2720	AT6.354.4	6	206
	TEF20	20C	4	185	265	A4.236	4	192	398	AT4.236	4	194	2725	AT6.354.4	6	206
	30	A4.107	4	187	273	A4.236	4	192	399	A6.354.4	6	205	3050	A4.236	4	192
David Brown	FE35	23C	4	186	274	A4.236	4	192	500 MD	A6.354	6	201	3060	A4.248	4	196
	35	A3.152	3	181	274-4	A4.236	4	192	510 MD	A6.354	6	201	3065	AT4.236	4	194
	35X	A3.152	3	181	274S	A4.236	4	192	515 MD	A6.354	6	201	3070	AT4.236	4	194
	50B	A4.212	4	191	274SK	A4.236	4	192	520 MD	A6.354	6	201	3075	1004.4T	4	199
	65	A4.192	4	188	274-4SK	A4.236	4	192	525 MD	A6.354	6	201	3080	A6.354.4	6	205
Deutz	65	AD4.203	4	190	275	A4.236	4	192	530 MD	A6.354.4	6	205	3085	1006.60	6	207
	65	A4.203	4	189	283	A4.236	4	192	550	AD3.152	3	182	3090	A6.354.4	6	205
	765	A4.192	4	188	284	A4.236	4	192	560	AT4.236	4	194	3095	1006.60	6	207
	130	A4.107	4	187	284S-4S	A4.236	4	192	560 MD	AT6.354.4	6	206	3115	1006.60	6	207
	133	A3.144	3	180	285	A4.248	4	196	565	A4.236	4	192	3120	1006.60T	6	208
Fendt	135	A3.144	3	180	285	A4.318	4	198	565	AT6.354.4	6	206	3120T	1006.60T	6	208
	135	AD3.152	3	181	290	A4.248	4	196	575	A4.236	4	192	3125	1006.60T	6	208
	135, 35	87mm	4	184	293	A4.248	4	196	590	A4.248	4	196	3140	1006.60T	6	208
	135V	A3.152	3	181	294	A4.248	4	196	595	A4.318	4	198	3610	A6.354.4	6	205
	148	AD3.152	3	182	294-4	A4.248	4	196	595 MKII	A4.318	4	198	3630	AT6.354.4	6	206
Fiatagri	150	AD3.152	3	182	294-4S	A4.248	4	196	660 MD	AT6.354	6	206	3635	1006.60T	6	208
	152	AD3.152	3	182	294S	A4.248	4	196	665 MD	AT6.354	6	206	3645	1006.60T	6	208
	152S	AD3.152	3	182	294S-4S	A4.248	4	196	675	A4.236	4	192	3650	AT6.354.4	6	206
	152MK3	AD3.152	3	182	298	A4.318.2	4		690	A4.248	4	196	3655	1006.60T	6	208
	154-4	AD3.152	3	182	340	AD3.152	3	182	698	A4.318.2	4		4225	1004.41	4	
Ford	155	AD4.203	4	190	342	AD3.152	3	182	698T	AT4.236	4	194	4235	1004.41	4	
	158	AD4.203	4	190	350	AD3.152	3	182	699	A6.354.4	6	205	4240	1004.41	4	
	165	AD4.203	4	190	352	AT3.152.4	3		750 MD	AT6.354	6	206	4245	1004.41	4	
	165	A4.212	4	191	352	AT3.152	3		760 MD	AT6.354	6	206	4255	1004.41	4	
	168	A4.236	4	192	353	AT3.152	3		765	A4.203	4	189	4260	1006.60	6	207
John Deere	174	A4.236	4	192	354	AD3.152	3	182	765	AD4.203	4	190	4265	1004.41	4	
	174-4S	A4.236	4	192	355	AT3.152	3		820 MD	AT6.354	6	206	4270	1006.60	6	207
	175	A4.236	4	192	360	AT3.152.4	3		825 MD	AT6.354	6	206	6110	1004.41	4	
	178	A4.236	4	192	362	A4.236	4	192	830 MD	AT6.354	6	206	6130	1004.4T	4	200
	178	A4.248	4	196	362N	A4.236	4	192	835 MD	AT6.354	6	206	6140	1004.4T	4	200
M F	184	A4.236	4	192	363	AT3.152	3		840 MD	AT6.354	6	206	6150	1004.4T	4	200
	184-4	A4.236	4	192	365	A4.236	4	192	845 MD	AT6.354	6	206	6160	1006.60	6	207
	184-4S	A4.236	4	192	372	A4.236	4	192	1004	A4.318.2	4		6170	1006.60	6	207
	185	A4.248	4	196	372N	A4.236	4	192	1007	AT4.236	4	194	6180	1006.60T	6	208
	188	A4.248	4	196	373	A4.236	4	192	1014	A6.354.1	6	203	6190	1006.60T	6	208
Renault	194	A4.248	4	196	373S	A4.236	4	192	1080	A4.318	4	198	6235	1004.40T	4	200
	194-4F	A4.248	4	196	374	A4.236	4	192	1100	A6.354	6	201	6245	1004.40T	4	200
	174 V	A4.236	4	192	374S	A4.236	4	192	1105	A6.354.1	6	203	6255	1004.40T	4	200
	230	AD3.152	3	182	375	A4.236	4	192	1105	A6.354.1	6	203	6260	1006.60	6	207
	233	AD3.152	3	182	377	A4.236	4	192	1114	A6.354.4	6	205	6265	1004.40T	4	200
Zetor	234S	AD3.152	3	182	382	A4.248	4	196	1130	AT6.354.1	6	204	6270	1006.60T	6	208
	235	AD3.152	3	182	382N	A4.248	4	196	1134	AT6.354.4	6	206	6280	1006.60T	6	208
	240	AD3.152	3	182	383	A4.248	4	196	1135	AT6.354.1	6	204	6290	1006.60T	6	208
	240	A4.236	4	192	383	A4.236	4	192	1200	A6.354.1	6	203	8110	1006.60T	6	208
	245	AD3.152	3	182	383S	A4.248	4	196	1250	A6.354.4	6	205	8120	1006.60T	6	208
	250	AD3.152	3	182	384S	A4.236	4	192	2135	AD3.152	3	181	8130	1006.60T	6	208
	253	AD3.152	3	182	387	A4.236	4	192	2620	A6.354.4	6	205	8140	1006.60T	6	208
	254	AD3.152	3	182	387	A4.248	4	196	2640	A6.354.4	6	205	8150	1006.60T	6	208
	254-4	AD3.152	3	182	390	A4.248	4	196	2645	A6.354.4	6	205	8220	1006.60T	6	208
	254S	AD3.152	3	182	390T	AT4.236	4	194	2675	A6.354.4	6	205				



Case IH

David Brown

Deutz

Fendt

Fiatagri

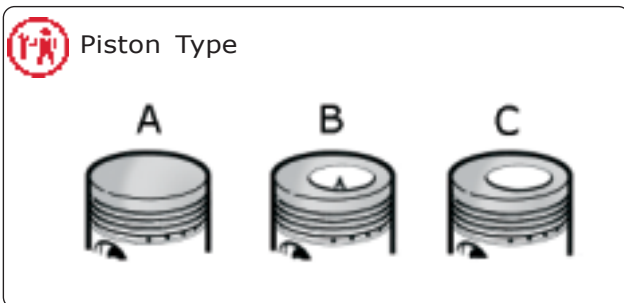
Ford

John Deere

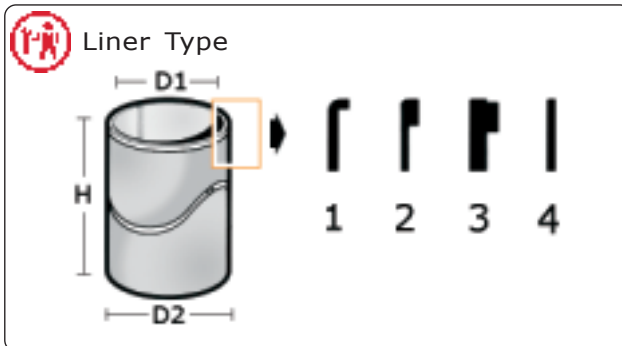
M F

Renault

Zetor



Liner details		Rings	Height	PIn
Piston	Combustion chamber		mm	mm
S.40403	A	5	108,04	31,75
S.40404	A	5	108,09	31,75
S.40405	B	5	109,37	31,75
S.40406	C	4	109,25	31,75
S.40407	C	4	127,28	34,93
S.40408	C	3	116,13	34,93
S.40409	C	5	120,65	34,93
S.40410	C	5	121,10	34,93
S.40411	C	4	120,69	34,93
S.40412	B	5	120,69	34,93
S.40413	B	5	120,23	34,93
S.40414	B	4	120,42	34,93
S.41540	C	3	120,72	34,93
S.42197	B	3	120,69	34,93
S.42199	B	3	120,73	34,93
S.42436	Square	3	108,06	38,10
S.42198	C	3	108,25	38,03
S.42937	Square	5	108,14	34,92

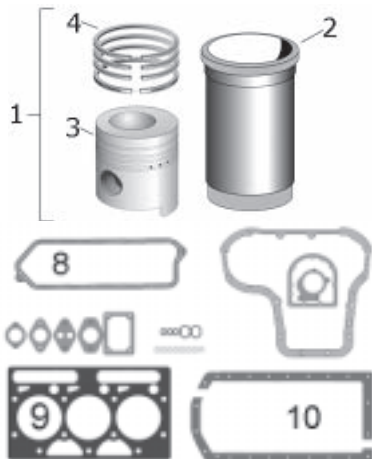


Piston details		H mm	D 1 mm	D 2 mm
Liner	Rim type	Height	inside	outside
S.40431	1	215,90	91,49	93,67
S.40432	2	215,90	91,49	93,66
S.40433	2	215,90	88,93	93,71
S.40434	3	226,22	98,48	103,18
S.40436	4	223,90	101,07	103,26
S.40437	3	227,27	101,07	104,20
S.41373	2	226,52	98,48	103,18
S.41375	2	226,52	101,22	104,20
S.42431	2	226,44	100,06	104,33

Massey Ferguson

Engine	Liner mm			Piston mm			Additional information
	Perkins	Cyl.	Bore	Height	Pin	Height	
A3.144	3	88,14	215,8	31,75	108,09	5	

Models: 133, 135



Description	Remarks	Replaces	Sparex
1 Piston and Liner Set (per Cyl.)			S.40446
2 Liner			S.40433
3 Piston		739845M91	S.40404
4 Ring Set (5 rings)		745823M91	S.40418
Top Gasket Set		747166M91	S.40588
Bottom Gasket Set		83400	S.40604
8 Rocker Cover Gasket		731273M1	S.40630
9 Head Gasket		747166M91	S.40619
10 Sump Gasket			

Case IH

David Brown

Deutz

Fendt

Fiatagri

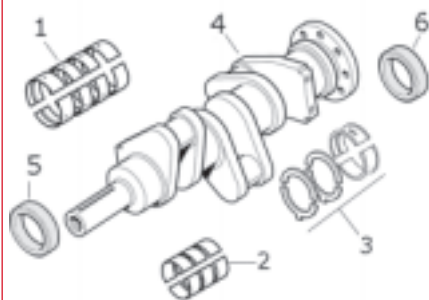
Ford

John Deere

M F

Renault

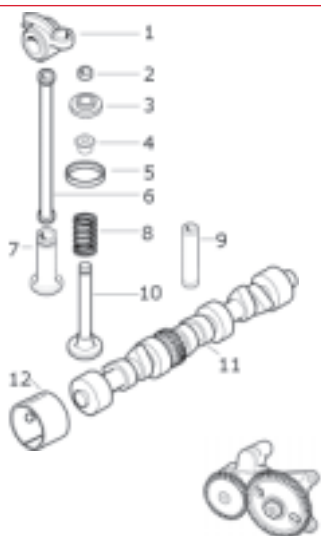
Zetor



1 Main Bearings (1 set)	Standard	746156M91	S.40331
	0,010"	746157M91	S.40332
	0,020"	746158M91	S.40333
	0,030"	746159M91	S.40334
2 Conrod Bearings (1 set)	Standard	737070M91	S.40315
	0,010"	737071M91	S.40316
	0,020"	737072M91	S.40317
3 Thrust Washers (1 set)	Standard	735112/13M1	S.40343
	0,007"	735800/01M1	S.40344
4 Crankshaft (Rope Seals)	>390144DL	3647454M91	S.40309
4 Crankshaft	390145DL>	3637410M91	S.40313
	Lock Tab	731192M1	S.40347
	Ring Gear	731008M1	S.40364
5 Front Oil Seal	Viton	1447689M1	S.40352
Rear Oil Seal	Black Viton	1447691M1	S.40356
6 Rear Oil Seal	Rope	735866M1	S.40354



1 Conrod	3637439M91	S.40357
2 Small End Bush	740407M1	S.40360
3 Conrod Bolt and Nut	375756X1	S.40362
4 Conrod Nut	377185X1	S.41328

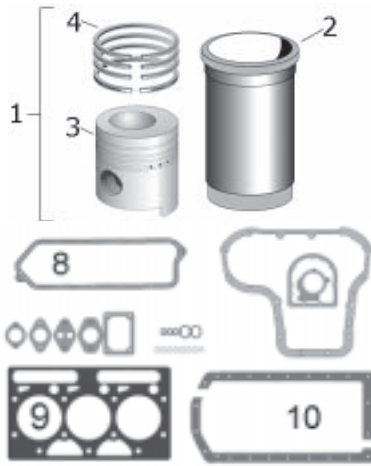


1 Rocker Arm (LH)		
1 Rocker Arm (RH)		
2 Collet	731155M1	S.41412
3 Valve Retainer		
4 Valve Stem Seal		
5 Valve Insert / Seal		
7 Tappet/Cam Follow er	731150M1	S.41345
8 Inner Valve Spring	731153M1	S.40500
Outer Valve Spring	731154M1	S.40505
9 Valve Guide	732445M1	S.40495
10 Inlet Valve	731151M1	S.40475
Exhaust Valve	731152M1	S.40485
11 Camshaft	733507M1	S.41507
12 Camshaft Bush		
13 Oil Pump	736513M91	S.5934

Massey Ferguson

Engine	Liner mm			Piston mm			Additional information
	Perkins	Cyl.	Bore	Height	Pin	Height	
A3.152	3	91,49	215,77	31,75	108,09	5	See page 179 for Piston dimensions

Models: 35, 35X 135V



Description	Remarks	Replaces	Sparex
1 Piston and Liner Set (per Cyl.)		3639471M1	S.40444
2 Liner	>1935853	732638M1	S.40431
3 Piston	Chrome Liner	734460M91	S.40403
4 Ring Set (5 rings)		745819M1	S.40416
1 Piston and Liner Set (per Cyl.)		3640482M91	S.40445
2 Liner	1935853>	739043M1	S.40432
3 Piston	Cast Liner	734460M91	S.40403
4 Ring Set (5 rings)		745818M1	S.40417
Top Gasket Set		747166M91	S.40588
Bottom Gasket Set		83400	S.40604
Bottom Gasket Set	>390145DL	747187M91	S.40605
8 Rocker Cover Gasket		731273M1	S.40630
9 Head Gasket		747166M91	S.40619
10 Sump Gasket			

Sparex

Case IH

David Brown

Deutz

Fendt

Fiatagri

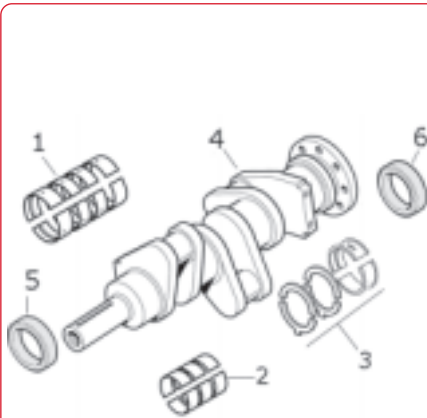
Ford

John Deere

M F

Renault

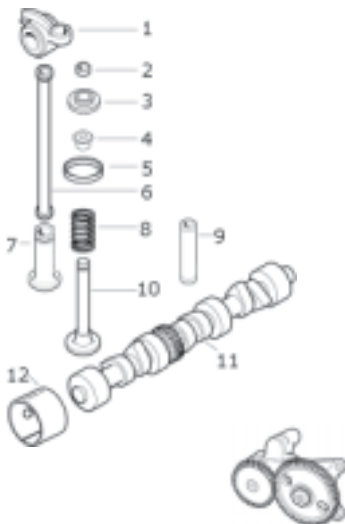
Zetor



1 Main Bearings (1 set)	Standard	746156M91	S.40331
	0,010"	746157M91	S.40332
	0,020"	746158M91	S.40333
	0,030"	746159M91	S.40334
2 Conrod Bearings (1 set)	Standard	737070M91	S.40315
	0,010"	737071M91	S.40316
	0,020"	737072M91	S.40317
	0,030"	737073M91	S.40318
3 Thrust Washers (1 set)	Standard	735112/13M1	S.40343
	0,007"	735800/01M1	S.40344
4 Crankshaft		3647454M91	S.40309
Lock Tab		731192M1	S.40347
Ring Gear		731008M1	S.40364
5 Front Oil Seal	Viton	1447689M1	S.40352
6 Rear Oil Seal	Black Viton	1447691M1	S.40356
Rear Oil Seal	Rope	735866M1	S.40354



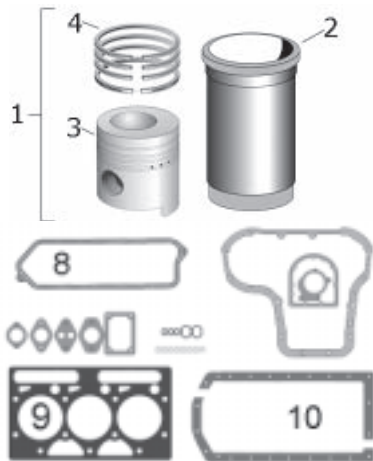
1 Conrod	3637392M91	S.40358
2 Small End Bush	740407M1	S.40360
3 Conrod Bolt and Nut	375756X1	S.40362
4 Conrod Nut	377185X1	S.41328



1 Rocker Arm (LH)		
Rocker Arm (RH)		
2 Collet	731155M1	S.41412
3 Bottom Retainer		
4 Valve Stem Seal		
5 Valve Insert / Seal		Entfällt
7 Tappet/Cam Follow er	731150M1	S.41345
8 Inner Valve Spring	731153M1	S.40500
Outer Valve Spring	731154M1	S.40505
9 Valve Guide	732445M1	S.40495
10 Inlet Valve	731151M1	S.40475
Exhaust Valve	731152M1	S.40485
11 Camshaft	733507M1	S.41507
12 Camshaft Bush		
13 Oil Pump	736513M91	S.5934

Massey Ferguson

Engine	Liner mm			Piston mm			Additional information
	Perkins	Cyl.	Bore	Height	Pin	Height	
AD3.152	3	91,49	215,77	31,75	109,37 109,25	5	See page 179 for Piston dimensions
Models: 135, 148, 152, 154, 230, 233, 234, 235, 240, 245, 250, 253, 254, 255, 340, 342, 350, 353, 354, 550, 263							



Description	Remarks	Replaces	Sparex
1 Piston and Liner Set (per Cyl.)			S.40454
2 Liner	>152UA275875D	739043M1	S.40432
3 Piston	Cast Liner	743824M91	S.40405
4 Ring Set (5 rings)		745661M1	S.41323
1 Piston and Liner Set (per Cyl.)		3688883M91	S.40447
2 Liner	152UA275875D>	739043M1	S.40432
3 Piston	Cast Liner	3638405M91	S.40406
4 Ring Set (5 rings)		745826M91	S.40419
Top Gasket Set		748008M91	S.40589
Bottom Gasket Set	>390144DL	747187M91	S.40605
Bottom Gasket Set	390145DL>	747186M91	S.40606
8 Rocker Cover Gasket		735057M1	S.40631
9 Head Gasket		747063M1	S.40620
10 Sump Gasket (Rope)	>390144DL	53587	S.41949
Sump Gasket (Seal)	390145DL<		S.41950

Case IH

David Brown

Deutz

Fendt

Fiatagri

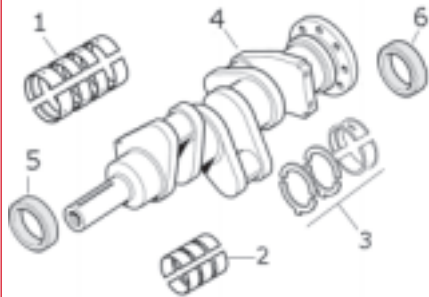
Ford

John Deere

M F

Renault

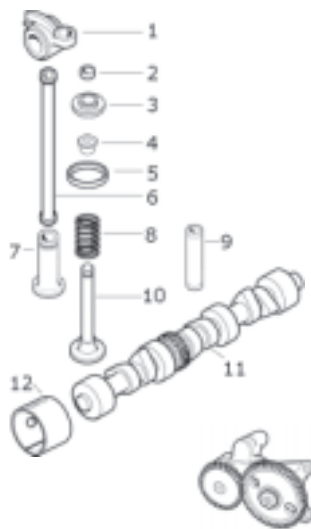
Zetor



1 Main Bearings (1 set)	Standard	746156M91	S.40331
	0,010"	746157M91	S.40332
	0,020"	746158M91	S.40333
	0,030"	746159M91	S.40334
2 Conrod Bearings (1 set)	Standard	737070M91	S.40315
	0,010"	737071M91	S.40316
	0,020"	737072M91	S.40317
3 Thrust Washers (1 set)	Standard	735112/13M1	S.40343
	0,007"	735800/01M1	S.40344
4 Crankshaft		3637410M91	S.40313
Crankshaft (Rope Seals)		3637454M91	S.40309
Lock Tab		731192M1	S.40347
Ring Gear		731008M1	S.40364
5 Front Oil Seal	Viton	1447689M1	S.40352
6 Rear Oil Seal	Black Viton	1447691M1	S.40356
Rear Oil Seal	Rope	735866M1M1	S.40354



1 Conrod	3637392M91	S.40358
2 Small End Bush	740407M1	S.40360
3 Conrod Bolt and Nut	375756X1	S.40362
4 Conrod Nut	377185X1	S.41328



1 Rocker Arm (LH)			
1 Rocker Arm (RH)			
2 Collet	731155M1	S.41412	
3 Valve Retainer			
4 Valve Stem Seal			
5 Valve Insert / Seal		Entfällt	
7 Tappet/Cam Follow er	731150M1	S.41345	
8 Inner Valve Spring	731153M1	S.40500	
Outer Valve Spring	731154M1	S.40505	
9 Valve Guide	732445M1	S.40495	
Inlet Valve 45°	>U584638F	732811M1	S.40476
Inlet Valve 35°	U584639F>	739060M1	S.40477
Exhaust Valve 35°	>U584638F	737640M1	S.40486
Exhaust Valve 35°	U584639F>	747581M1	S.40487
11 Camshaft	733507M1	S.41507	
12 Camshaft Bush		Entfällt	
13 Oil Pump	736513M91	S.5934	

Massey Ferguson

Engine	Liner mm			Piston mm			Additional information
	Perkins	Cyl.	Bore	Height	Pin	Height	
Standard 85	4	84,78	171,5	22,1	87,8	5	Petrol

Models: TEA20, TED20



Description	Remarks	Replaces	Sparex
1 Piston and Liner Set (per Cyl.)			S.42275
2 Liner		893007M1	S.42628
3 Piston			S.75972
4 Ring Set (5 rings)			S.41614
Top Gasket Set		501923	S.42085
Bottom Gasket Set		894915M1	S.42631
8 Rocker Cover Gasket		829029M1	S.42393
9 Head Gasket		202084	S.42253
10 Sump Gasket		825654M1	S.41726

Sparex

Case IH

David Brown

Deutz

Fendt

Fiatagri

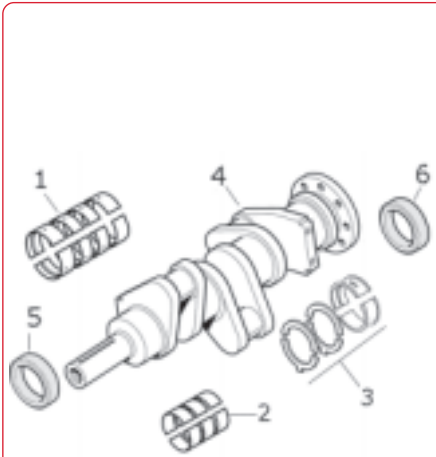
Ford

John Deere

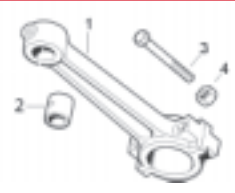
M F

Renault

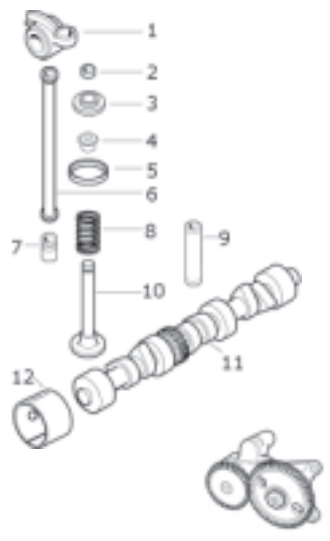
Zetor



1 Main Bearings (1 set)	Standard	554320M91	S.42362
	0,010"	554322M91	S.42363
	0,020"	554323M91	S.42364
	0,030"	554324M91	S.42426
2 Conrod Bearings (1 set)	Standard	554314M91	S.42359
	0,010"	554316M91	S.42360
	0,020"	554317M91	S.42361
	0,030"	554318M91	S.42425
3 Thrust Washers (1 set)	Standard	825111M91	S.42365
	0,007"		
4 Crankshaft		825216M1	S.42688
Lock Tab		825179M1	S.42689
Ring Gear		825452M1	S.42422
Lock Plate		825140M1	S.42420
5 Front Oil Seal		825740M1	S.42195
6 Rear Oil Seal		825208M1	S.41725
Timing Chain		825199M1	S.60909



1 Conrod			
2 Small End Bush			
3 Conrod Bolt and Nut			
4 Conrod Nut			

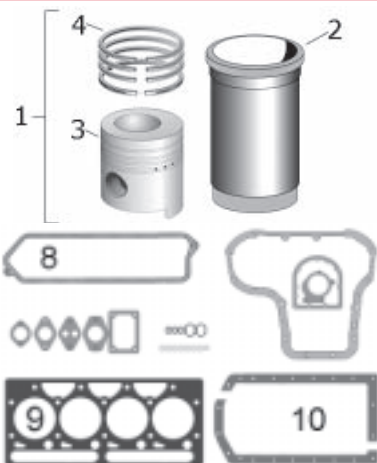


1 Rocker Arm (LH)			
1 Rocker Arm (RH)			
2 Collet			
3 Valve Retainer			
4 Valve Stem Seal			
5 Valve Insert / Seal			
6 Push Rod			
8 Inner Valve Spring			
8 Outer Valve Spring		825186M1	S.61906
9 Valve Guide		825259M1	S.60193
10 Inlet Valve		825388M1	S.61902
10 Exhaust Valve		825369M1	S.61904
11 Camshaft			
12 Camshaft Bush			
13 Oil Pump			

These parts are Sparex parts and are not manufactured by the Original Equipment Manufacturer. Original names, part numbers and descriptions are quoted for reference purposes only and are not intended to indicate or suggest that our replacement parts are made by the OEM.

Massey Ferguson

Engine	Liner mm			Piston mm			Additional information
	Perkins	Cyl.	Bore	Height	Pin	Height	
Standard 87	4	86,62	171,5	22,1	87,4	4	Petrol
Models: 35, 135							



Description	Remarks	Replaces	Sparex
1 Piston and Liner Set (per Cyl.)			S.42276
2 Liner Seal		825864M1	S.42488
3 Piston			
4 Ring Set (4 rings)			S.41615
Top Gasket Set		827560M1	S.42485
Bottom Gasket Set		894915M91	S.42631
8 Rocker Cover Gasket			
9 Head Gasket			
10 Sump Gasket		825654M1	S.41726

Case IH

David Brown

Deutz

Fendt

Fiatagri

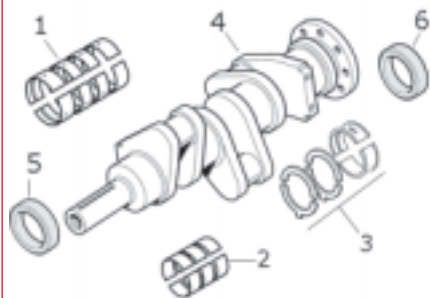
Ford

John Deere

M F

Renault

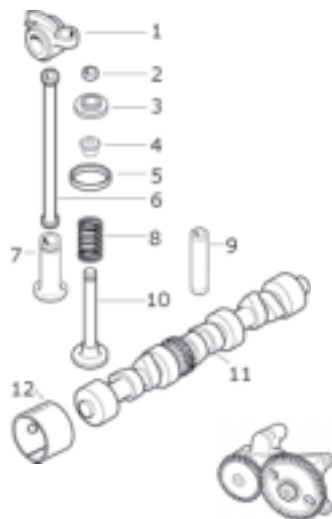
Zetor



1 Main Bearings (1 set)	Standard	825840M91	S.42362
	0.010"	825837M91	S.42363
	0.020"	825982M91	S.42364
	0.030"	825983M91	S.42426
2 Conrod Bearings (1 set)	Standard	1810083M91	S.42359
	0.010"	1810084M91	S.42360
	0.020"	1810085M91	S.42361
3 Thrust Washers (1 set)	0.030"	1810086M91	S.42425
	Standard		
4 Crankshaft		825216M1	S.42688
Lock Tab		825179M1	S.42689
Ring Gear		825452M1	S.42422
Lock Plate		825140M1	S.42420
5 Front Oil Seal		825740M1	S.42195
6 Rear Oil Seal		825208M1	S.41725
Timing Chain		825199M1	S.60909



1 Conrod			
2 Small End Bush			
3 Conrod Bolt and Nut			
4 Conrod Nut			

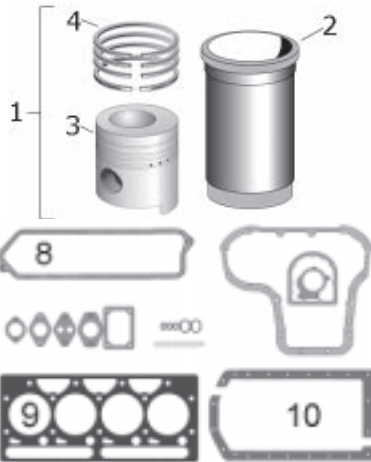


Rocker Arm (LH)			
1 Rocker Arm (RH)			
2 Collet			
3 Valve Retainer			
4 Valve Stem Seal			
5 Valve Insert / Seal			
6 Push Rod			
8 Inner Valve Spring	825186M1		S.61906
Outer Valve Spring	825186M1		S.61906
9 Inlet Valve Guide	825259M1		S.60193
Exhaust Valve Guide	826162M1		S.60194
10 Inlet Valve			
Exhaust Valve			
11 Camshaft			
12 Camshaft Bush			
13 Oil Pump			

Massey Ferguson

Engine	Liner mm			Piston mm			Additional information
	Cyl.	Bore	Height	Pin	Height	Rings	
Standard 20C	4	80,61	171,5	25	98,42	5	Petrol

Models: TEF20



Description	Remarks	Replaces	Sparex
1 Piston and Liner Set (per Cyl.)			S.42274
2 Liner			S.42626
3 Piston			S.75973
4 Ring Set (6 rings)		894900M91	S.42136
Top Gasket Set		106387	S.40586
Bottom Gasket Set		894916M91	S.40602
8 Rocker Cover Gasket		829029M1	S.40628
9 Head Gasket		61153	S.40617
10 Sump Gasket			

Sparex

Case IH

David Brown

Deutz

Fendt

Fiatagri

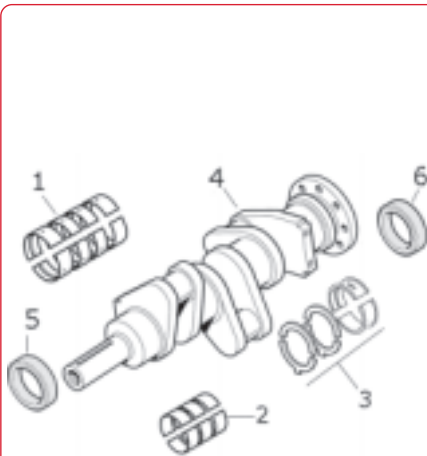
Ford

John Deere

M F

Renault

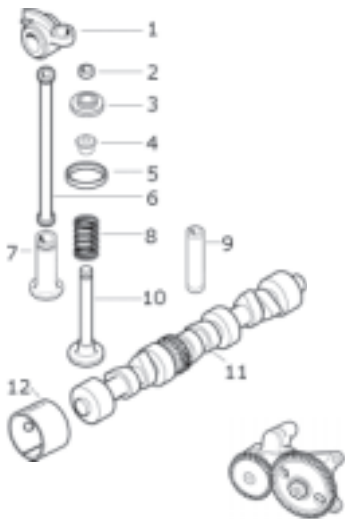
Zetor



1 Main Bearings (1 set)	Standard	830897M91	S.42367
	0,010"	830898M91	S.42368
	0,020"	894944M91	S.42369
	0,030"	894945M91	S.42370
2 Conrod Bearings (1 set)	Standard	830899M91	S.42366
	0,010"	830900M91	S.42499
	0,020"	830901M91	S.42500
	0,030"	894947M91	S.42501
3 Thrust Washers (1 set)	Standard	826239/40M1	S.42427
	0,007"		
4 Crankshaft			
Lock Tab			
Ring Gear			
5 Front Oil Seal		825740M1	S.42195
6 Rear Oil Seal		1884098M1	S.42233
Timing Chain	1951-56	61471	S.41616



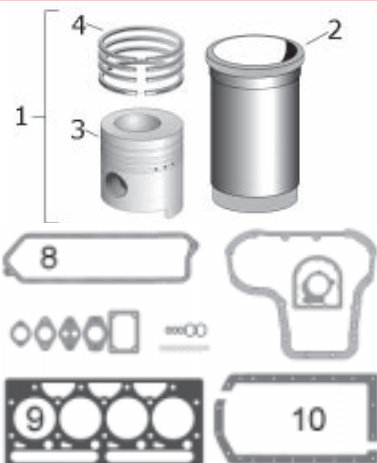
1 Conrod			
2 Small End Bush			
3 Conrod Bolt and Nut			
4 Conrod Nut			



1 Rocker Arm (LH)			
1 Rocker Arm (RH)			
2 Collet			
3 Valve Retainer			
4 Valve Stem Seal			
5 Valve Insert / Seal			
6 Push Rod			
7 Tappet/Cam Follower			
8 Inner Valve Spring		103369	S.40498
Outer Valve Spring		103368	S.40503
9 Valve Guide			
10 Inlet Valve		101661	S.40473
Exhaust Valve		110926	S.40483
11 Camshaft			
12 Camshaft Bush			
13 Oil Pump			

Massey Ferguson

Engine	Liner mm			Piston mm			Additional information
	Perkins	Cyl.	Bore	Height	Pin	Height	
Standard 23C	4	84,17	187,96	28,1	98,26	5	Petrol
Models: FE35							



Description	Remarks	Replaces	Sparex
1 Piston and Liner Set (per Cyl.)		890972M92	S.41943
2 Liner			
3 Piston			
4 Ring Set (5 rings)		894900M91	S.42135
Top Gasket Set		1810028M91	S.40587
Bottom Gasket Set		1810027M91	S.40603
8 Rocker Cover Gasket		828695M1	S.40629
9 Head Gasket		1882771M1	S.40618
10			

Case IH

David Brown

Deutz

Fendt

Fiatagri

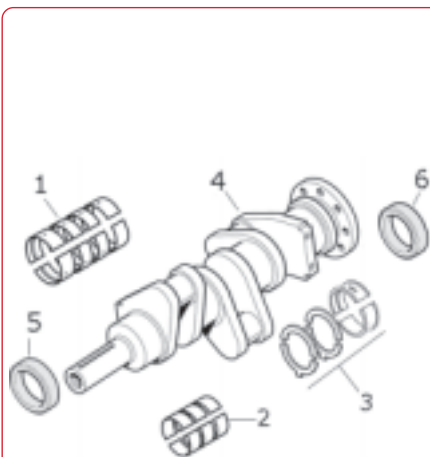
Ford

John Deere

M F

Renault

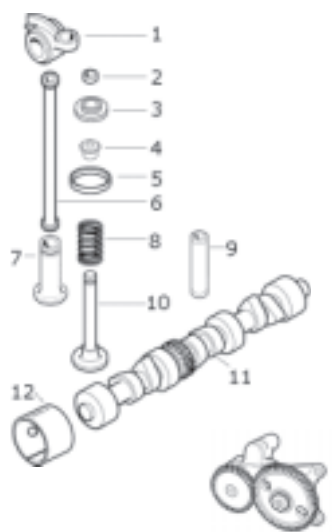
Zetor



1 Main Bearings (1 set)	Standard	830897M91	S.42367
	0,010"	830898M91	S.42368
	0,020"	894944M91	S.42369
	0,030"	894945M91	S.42370
2 Conrod Bearings (1 set)	Standard	830899M91	S.42366
	0,010"	830900M91	S.42499
	0,020"	830901M91	S.42500
3 Thrust Washers (1 set)	0,030"	894947M91	S.42501
	Standard	826239/40M1	S.42427
4 Crankshaft			
Lock Tab			
Ring Gear			
5 Front Oil Seal		825740M1	S.42195
6 Rear Oil Seal		1884098M1	S.42233
Timing Chain		826094M1	S.60941



1 Conrod			
2 Small End Bush			
3 Conrod Bolt and Nut			
4 Conrod Nut			

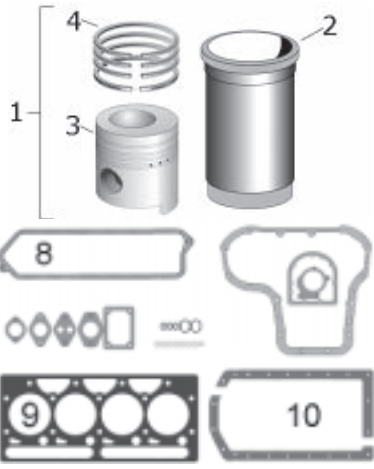


1 Rocker Arm (LH)			
Rocker Arm (RH)			
2 Collet			
3 Valve Retainer			
4 Valve Stem Seal			
5 Valve Insert / Seal			
6 Push Rod			
8 Inner Valve Spring		1884126M1	S.40499
Outer Valve Spring		1884125M1	S.40504
9 Inlet/Exhaust Valve Guide		825259M1	S.60193
Exhaust Valve Guide		826162M1	S.60194
10 Inlet Valve		18841234M1	S.40474
Exhaust Valve		1884124M1	S.40484
11 Camshaft			
12 Camshaft Bush			
13 Oil Pump			

Massey Ferguson

Engine	Liner mm			Piston mm			Additional information
	Perkins	Cyl.	Bore	Height	Pin	Height	
A4.107	4	79,38	163,53	23,9	80,2	5	

Models: 25, 130



Description	Remarks	Replaces	Sparex
1 Piston and Liner Set (per Cyl.)		Order Components	
2 Liner		734127M1	S.42450
3 Piston		741335M91	S.43082
4 Ring Set (5 rings)		745902M91	S.40425
Top Gasket Set		4222808M91	S.42315
Bottom Gasket Set		4223920M91	S.43083
8 Rocker Cover Gasket			
9 Head Gasket			
10 Sump Gasket			

Sparex

Case IH

David Brown

Deutz

Fendt

Fiatagri

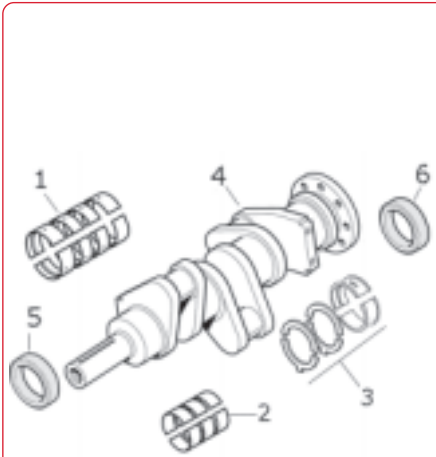
Ford

John Deere

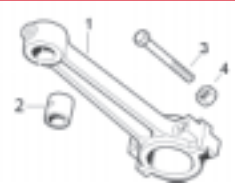
M F

Renault

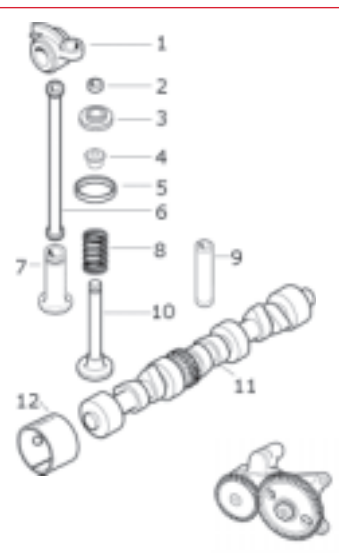
Zetor



1 Main Bearings (1 set)	Standard 0.010" 0.020" 0.030"		
2 Conrod Bearings (1 set)	Standard 0.010" 0.020" 0.030"		
3 Thrust Washers (1 set)	Standard 0.007"		
4 Crankshaft			
Lock Tab			
Ring Gear			
5 Front Oil Seal		732043M1	S.30049
6 Rear Oil Seal	Black Viton		
Rear Oil Seal	Rope	4224055M1	S.43097



1 Conrod			
2 Small End Bush			
3 Conrod Bolt and Nut			
4 Conrod Nut			



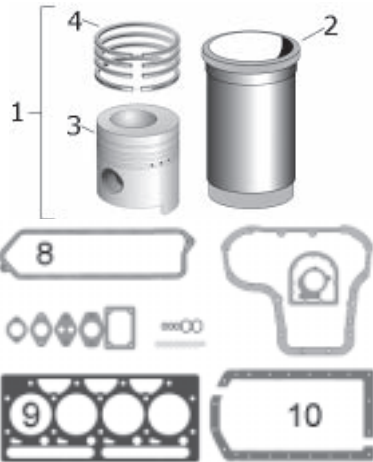
1 Rocker Arm (LH) Rocker Arm (RH)			
2 Collet		731155M1	S.41412
3 Valve Retainer			
4 Valve Stem Seal			
5 Valve Insert / Seal			
6 Push Rod			
7 Tappet/Cam Follower			
8 Inner Valve Spring Outer Valve Spring			
9 Valve Guide			
10 Inlet Valve Exhaust Valve			
11 Camshaft			
12 Camshaft Bush			
13 Oil Pump			

These parts are Sparex parts and are not manufactured by the Original Equipment Manufacturer. Original names, part numbers and descriptions are quoted for reference purposes only and are not intended to indicate or suggest that our replacement parts are made by the OEM.

Massey Ferguson

Engine	Liner mm			Piston mm			Additional information
	Perkins	Cyl.	Bore	Height	Pin	Height	
A4.192	4	88,23	215,9	31,75	108,09	5	

Models: 65, 765



Description	Remarks	Replaces	Sparex
1 Piston and Liner Set (per Cyl.)			S.40446
2 Liner			S.40433
3 Piston		739845M91	S.40404
4 Ring Set (5 rings)		745823M91	S.40418
Top Gasket Set		735726M91	S.40590
Bottom Gasket Set		743029M91	S.40607
8 Rocker Cover Gasket		735057M1	S.40632
9 Head Gasket		490689	S.40621
10 Sump Gasket		4223524M91	S.41949

Case IH

David Brown

Deutz

Fendt

Fiatagri

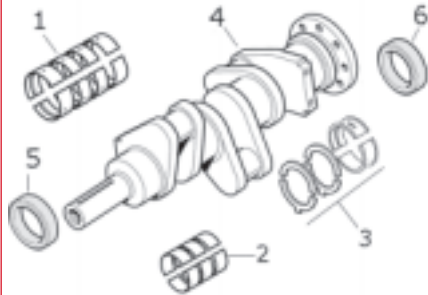
Ford

John Deere

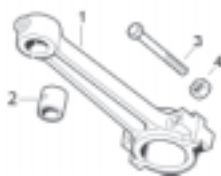
M F

Renault

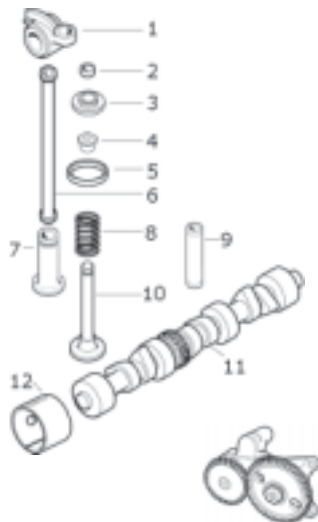
Zetor



1 Main Bearings (1 set)	Standard	745405M91	S.40335
	0.010"	745406M91	S.40336
	0.020"	745407M91	S.40337
	0.030"	745408M91	S.40338
2 Conrod Bearings (1 set)	Standard	737066M91	S.40319
	0.010"	737067M91	S.40320
	0.020"	737068M91	S.40321
3 Thrust Washers (1 set)	0.030"	737069M91	S.40322
	Standard	735112/13M1	S.40343
4 Crankshaft	0.007"	735800/01M1	S.40344
		3647454M91	S.40310
		731192M1	S.40347
		731008M1	S.40364
5 Front Oil Seal		1447689M1	S.40352
6 Rear Oil Seal			
	Rope	735866M1M1	S.40354



1 Conrod	3637439M91	S.40357
2 Small End Bush	740407M1	S.40360
3 Conrod Bolt and Nut	375756X1	S.40362
4 Conrod Nut	377185X1	S.41328

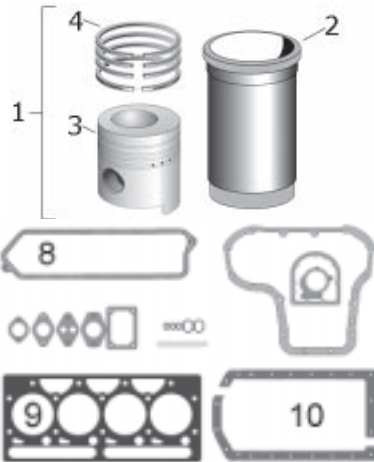


1 Rocker Arm (LH)		
1 Rocker Arm (RH)		
2 Collet	731155M1	S.41412
3 Valve Retainer		
4 Valve Stem Seal		
5 Valve Insert / Seal		
6 Push Rod		
7 Tappet/Cam Follow er	731150M1	S.41345
8 Inner Valve Spring	731153M1	S.40500
8 Outer Valve Spring	731154M1	S.40505
9 Valve Guide	732445M1	S.40495
10 Inlet Valve	731151M1	S.40475
10 Exhaust Valve	731152M1	S.40485
11 Camshaft		
12 Camshaft Bush		
13 Oil Pump	1447483M91	S.5935

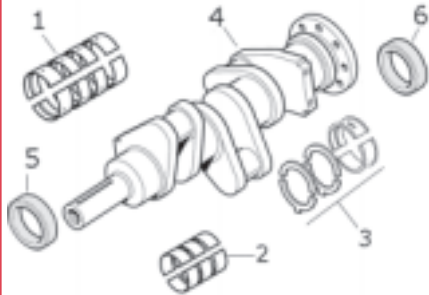
Massey Ferguson

Engine	Liner mm			Piston mm			Additional information
	Perkins	Cyl.	Bore	Height	Pin	Height	
A4.203	4	91,49	215,9	31,75	108,04	5	See page 179 for Piston dimensions

Models: 65, 765



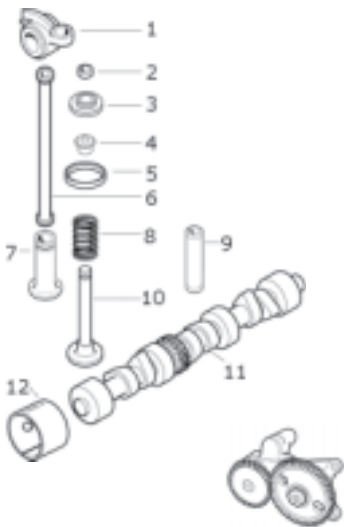
Description	Remarks	Replaces	Sparex
1 Piston and Liner Set (per Cyl.)			S.40444
2 Liner	>1935853	732638M1	S.40431
3 Piston	Chrome Liner	734460M91	S.40403
4 Ring Set (5 rings)		745819M1	S.40416
1 Piston and Liner Set (per Cyl.)		3640482M91	S.40445
2 Liner	1935853>	739043M1	S.40432
3 Piston	Cast Liner	734460M91	S.40403
4 Ring Set (5 rings)		745818M1	S.40417
Top Gasket Set		746051M91	S.40591
Bottom Gasket Set		743029M91	S.40607
8 Rocker Cover Gasket		735057M1	S.40632
9 Head Gasket		731011M2	S.40622
10 Sump Gasket	>390144DL		
Sump Gasket	390145DL>		



1 Main Bearings (1 set)	Standard	745405M91	S.40335
	0,010"	745406M91	S.40336
	0,020"	745407M91	S.40337
	0,030"	745408M91	S.40338
2 Conrod Bearings (1 set)	Standard	737066M91	S.40319
	0,010"	737067M91	S.40320
	0,020"	737068M91	S.40321
3 Thrust Washers (1 set)	Standard	735112/13M1	S.40343
	0,007"	735800/01M1	S.40344
4 Crankshaft (Rope Seals)		3647454M91	S.40310
	Lock Tab	731192M1	S.40347
	Ring Gear	731008M1	S.40364
5 Front Oil Seal		1447689M1	S.40352
6 Rear Oil Seal	Black Viton		
	Rope	735866M1M1	S.40354



1 Conrod	3637392M91	S.40358
2 Small End Bush	740407M1	S.40360
3 Conrod Bolt and Nut	375756X1	S.40362
4 Conrod Nut	377185X1	S.41328



1 Rocker Arm (LH)		
Rocker Arm (RH)		
2 Collet	731155M1	S.41412
3 Valve Retainer		
4 Valve Stem Seal		
5 Valve Insert / Seal		
6 Push Rod		
7 Tappet/Cam Follow er	731150M1	S.41345
8 Inner Valve Spring	731153M1	S.40500
Outer Valve Spring	731154M1	S.40505
9 Valve Guide	732445M1	S.40495
10 Inlet Valve	731151M1	S.40475
Exhaust Valve	731152M1	S.40485
11 Camshaft		
12 Camshaft Bush		
13 Oil Pump	1447483M91	S.5935

Sparex

Case IH

David Brown

Deutz

Fendt

Fiatagri

Ford

John Deere

M F

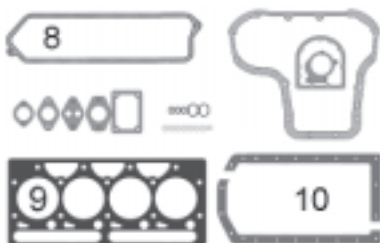
Renault

Zetor

Massey Ferguson

Engine	Liner mm			Piston mm			Additional information
	Perkins	Cyl.	Bore	Height	Pin	Height	
AD4.203	4	91,49	215,77	31,75	109,37	109,25	5 4
Models: 65, 155, 158, 165, 260, 765							

See page 179 for Piston dimensions



Description	Remarks	Replaces	Sparex
1 Piston and Liner Set (per Cyl.)			S.40443
2 Chrome Liner	>2939036	732638M1	S.40431
3 Piston		743824M91	S.40405
4 Ring Set (5 rings)		745819M91	S.40416
1 Piston and Liner Set (per Cyl.)		3637765M91	S.40454
2 Cast Liner	2939037>	739043M1	S.40432
3 Piston	>U589378L	743824M91	S.40405
4 Ring Set (5 rings)		745818M91	S.40417
1 Piston and Liner Set (per Cyl.)		3688883M91	S.40447
2 Cast Liner	U589378L>	739043M1	S.40432
3 Piston		3638405M91	S.40406
4 Ring Set (4 rings)		745826M91	S.40419
Top Gasket Set		735349M91	S.40592
Bottom Gasket Set	>29C1083	735350M91	S.40608
Bottom Gasket Set	29C1084>	745987M91	S.40609
8 Rocker Cover Gasket		73281M1	S.40633
9 Head Gasket		744391M1	S.40623
10 Sump Gasket			

Case IH

David Brown

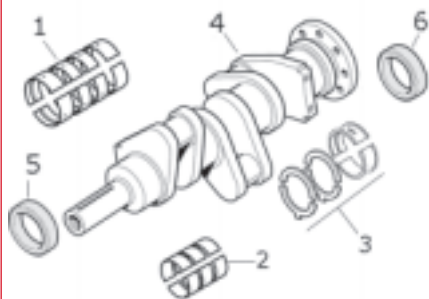
Deutz

Fendt

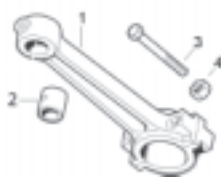
Fiatagri

Ford

John Deere

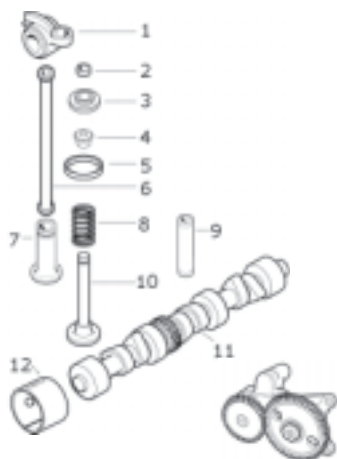


1 Main Bearings (1 set)	Standard	745405M91	S.40335
	0,010"	745406M91	S.40336
	0,020"	745407M91	S.40337
	0,030"	745408M91	S.40338
2 Conrod Bearings (1 set)	Standard	737066M91	S.40319
	0,010"	737067M91	S.40320
	0,020"	737068M91	S.40321
	0,030"	737069M91	S.40322
3 Thrust Washers (1 set)	Standard	735112/13M1	S.40343
	0,007"	735800/01M1	S.40344
4 Crankshaft	Rope Seal	747742M91	S.40310
	Lip Seal	742344M91	S.40312
Lock Tab		731192M1	S.40347
Ring Gear		731008M1	S.40364
5 Front Oil Seal		1447689M1	S.40352
6 Rear Oil Seal	Rope	735866M1	S.40354
	Black Viton	1447691M1	S.40356



1 Conrod	3637392M91	S.40358
2 Small End Bush	740407M1	S.40360
3 Conrod Bolt and Nut	375756X1	S.40362
4 Conrod Nut	377185X1	S.41328

M F



1	Rocker Arm (LH)		
	Rocker Arm (RH)		
2 Collet		731155M1	S.41412
6 Push Rod			
7 Tappet/Cam Follow er		731150M1	S.41345
8	Inner Valve Spring	731153M1	S.40500
	Outer Valve Spring	731154M1	S.40505
9	Inlet Valve Guide	732445M1	S.40495
	Exhaust Valve Guide		
10	Inlet Valve	45°	732811M1
		35°	739060M1
	Exhaust Valve	45°	737640M1
		35°	747581M1
13 Oil Pump		1447483M91	S.5935

Renault

Zetor

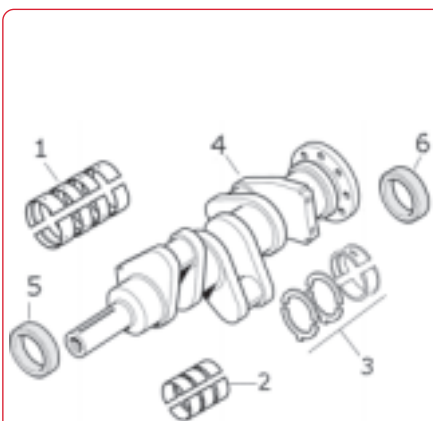
Massey Ferguson

Engine	Liner mm			Piston mm			Additional information
	Perkins	Cyl.	Bore	Height	Pin	Height	
A4.212	4	98,46	227,57	34,93	116,13 127,28	3 4	See page 179 for Piston dimensions

Models: 50B, 165



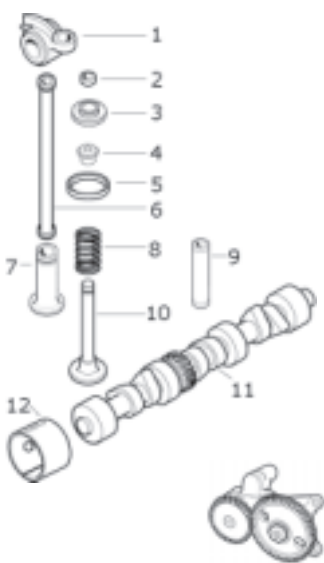
Description	Remarks	Replaces	Sparex
1 Piston and Liner Set (per Cyl.)			S.40453
2 Liner (226,22mm Height)	>UA187116L	744948M1	S.40434
3 Piston (116,13mm)		740082M91	S.40408
4 Ring Set (3 rings)		745764M91	S.40421
1 Piston and Liner Set (per Cyl.)			S.40448
2 Liner (226,22mm Height)	UA187116L>	744948M1	S.40434
3 Piston (127,28mm)		738249M91	S.40407
4 Ring Set (4 rings)		745763M91	S.40420
Top Gasket Set		3637444M91	S.40593
Top Gasket Set	U106655N>	3637363M91	S.41954
Bottom Gasket Set		747191M91	S.40610
8 Rocker Cover Gasket		746714M1	S.40634
9 Head Gasket	>U106654N	746342M1	S.40624
Head Gasket	U106655N>	3637341M1	S.41951
10 Sump Gasket			



1 Main Bearings (1 set)	Standard	735168M91	S.40339
	0,010"	735169M91	S.40340
	0,020"	735170M91	S.40341
	0,030"	735171M91	S.40342
2 Conrod Bearings (1 set)	Standard	736950M91	S.40323
	0,010"	736951M91	S.40324
	0,020"	736952M91	S.40325
3 Thrust Washers (1 set)	Standard	747128/29M1	S.40345
	0,007"	735742/43M1	S.40346
4 Crankshaft			
Lock Tab		731192M1	S.40347
Ring Gear		731008M1	S.40364
5 Front Oil Seal		1447690M1	S.40351
6 Rear Oil Seal	Rope	735942M1	S.40355
	Black Viton	1447691M1	S.40356



1 Conrod	3637034M91	S.40359
2 Small End Bush	733767M1	S.40361
3 Conrod Bolt and Nut		S.40363
4 Conrod Nut		S.41329



1 Rocker Arm (LH)		3637072M91	S.41920
	Rocker Arm (RH)	3637071M91	S.41919
2 Collet		736453M1	S.41413
3 Valve Retainer			
4 Valve Stem Seal			
5 Valve Insert / Seal	3637041M1	S.41325	
6 Push Rod	733817M	S.30019	
7 Tappet/Cam Follower	740671M1	S.41918	
Inner Valve Spring (2mm)	733822M1	S.40501	
8 Inner Valve Spring (2,5mm)		735525M1	S.40502
	Outer Valve Spring	735521M1	S.40507
9 Inlet Valve Guide		3637056M1	S.40496
	Exhaust Valve Guide	748420M1	S.41539
10 Inlet Valve	Standard	739027M1	S.40478
	Exhaust Valve	Standard	747552M1
11 Camshaft	>U08336N	736818M1	S.41523
	U08337N>	3637537M1	S.41524
12 Camshaft Bush		3638579M1	S.41399
13 Oil Pump		735118M91	S.5936

Sparex

Case IH

David Brown

Deutz

Fendt

Fiatagri

Ford

John Deere

M F

Renault

Zetor

Massey Ferguson

Engine	Liner mm			Piston mm			Additional information
	Perkins	Cyl.	Bore	Height	Pin	Height	
A4.236	4	98,46	226,22 226,52	34,93	120,65 121,10	5	See page 179 for Piston dimensions
Models: 50, 168, 174-4S, 175, 178, 184-4S, 240, 265, 273, 274, 274S, 275, 283, 284-4S, 362, 362N, 365, 372, 373, 374, 375, 377, 383, 384S, 387, 565, 575, 675, 3050							

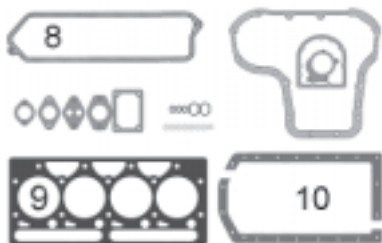
Case IH



Description	Remarks	Replaces	Sparex
1 Piston and Liner Set (per Cyl.)	>109214L		S.40449
2 Liner	Piston Height	744948M1	S.40434
3 Piston	120,65 mm	735187M91	S.40409
4 Ring Set (5 rings)		745747M91	S.40422
1 Piston and Liner Set (per Cyl.)	109215L>		S.40450
2 Liner	>U08336N	744948M1	S.40434
3 Piston	Piston Height	3637516M91	S.40410
4 Ring Set (5 rings)	121,10 mm	745760M91	S.40423
1 Piston and Liner Set (per Cyl.)	U08337N>	U5MK0065	S.41939
2 Liner	Piston Height	3637032M91	S.41373
3 Piston		3637516M91	S.40410
4 Ring Set (5 rings)	121,10 mm	745760M91	S.40423

David Brown

Deutz

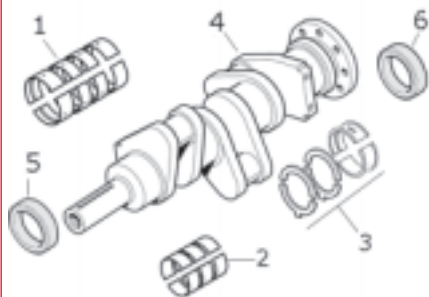


Top Gasket Set	>U106654N		S.40594
Bottom Gasket Set		747191M91	S.40610
8 Rocker Cover Gasket		746714M1	S.40634
9 Head Gasket	>U106654N	746342M1	S.40624
Head Gasket	U106655N>	3637341M1	S.41951
10 Sump Gasket			

Fendt

Fiatagri

Ford



1 Main Bearings (1 set)	Standard	735168M91	S.40339
	0,010"	735169M91	S.40340
	0,020"	735170M91	S.40341
	0,030"	735171M91	S.40342
2 Conrod Bearings (1 set)	Standard	736950M91	S.40323
	0,010"	736951M91	S.40324
	0,020"	736952M91	S.40325
	0,030"	736953M91	S.40326
3 Thrust Washers (1 set)	Standard	747128/29M1	S.40345
	0,007"	735742/43M1	S.40346
Crankshaft	Rope Seal	736829M91	S.40311
4 Crankshaft (Heavy Duty)	Rope Seal	3637789M91	S.41641
Crankshaft	Oil Seal	736829M91	S.40314
Crankshaft (Heavy Duty)	Oil Seal	3637401M91	S.41639
Lock Tab		731192M1	S.40347
Ring Gear		731008M1	S.40364
5 Front Oil Seal		1447690M1	S.40351
6 Rear Oil Seal	Rope	735942M1	S.40355
Rear Oil Seal	Black Viton	1447691M1	S.40356

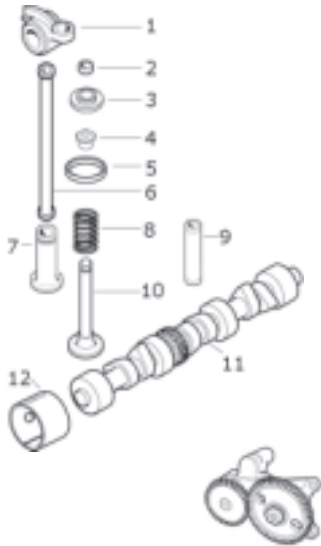
M F

Renault

Zetor



	Description	Remarks	Replaces	Sparex
1	Conrod		3637034M91	S.40359
2	Small End Bush		733767M1	S.40361
3	Conrod Bolt and Nut			S.40363
4	Conrod Nut			S.41329



1	Rocker Arm (LH)		3637072M91	S.41920
	Rocker Arm (RH)		3637071M91	S.41919
2	Collet		736453M1	S.41413
5	Valve Insert / Seal		3637041M1	S.41325
6	Push Rod		31434307	S.30019
7	Tappet/Cam Follow er		740671M1	S.41918
8	Inner Valve Spring (2mm)		733822M1	S.40501
	Inner Valve Spring (2,5mm)		735525M1	S.40502
9	Outer Valve Spring		735521M1	S.40507
	Inlet Valve Guide		3637056M1	S.40496
10	Exhaust Valve Guide		748420M1	S.41539
	Inlet Valve	Standard	739027M1	S.40478
11	Exhaust Valve	Standard	747552M1	S.40488
	Camshaft	>U08336N	736818M1	S.41523
	Camshaft	U08337N>	3637537M1	S.41524
12	Camshaft Bush		3638579M1	S.41399
13	Oil Pump		735118M91	S.5936
	Oil Pump		3637489M91	S.41938

Case IH

David Brown

Deutz

Fendt

S.41938



Fiatagri

Ford

S.40634



S.41939



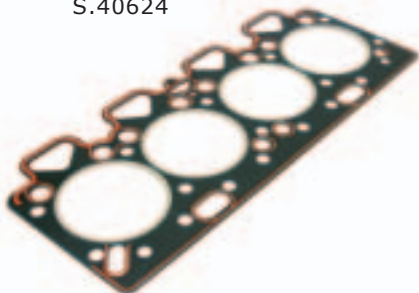
S.5936



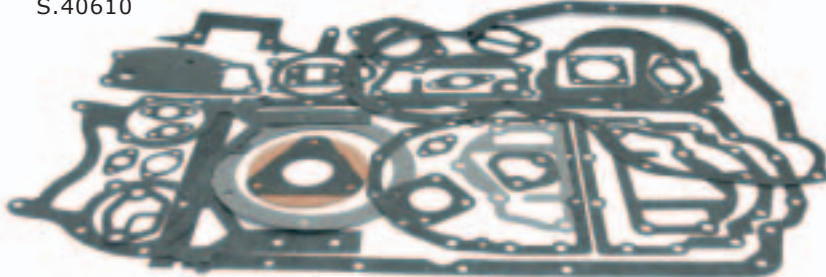
John Deere

M F

S.40624



S.40610



Renault

Zetor

Massey Ferguson

Engine	Liner mm			Piston mm			Additional information
	Perkins	Cyl.	Bore	Height	Pin	Height	
AT4.236	4	98,46	227,57	38,03	108,25	3	See page 179 for Liner dimensions
Models: 390T, 398, 560, 698T, 1007, 3065, 3070, 3075							

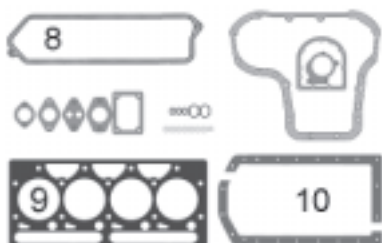


Description	Remarks	Replaces	Sparex
1 Piston and Liner Set (per Cyl.)		Order Components	
2 Liner		744948M1	S.40434
2 Liner		3637032M1	S.41373
3 Piston		3637360M91	S.42198
4 Ring Set (5 rings)		747602M91	S.42208

Case IH

David Brown

Deutz

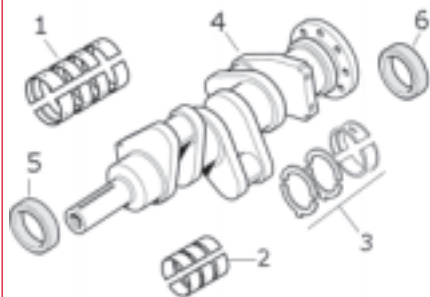


Top Gasket Set		3637361M91	S.41955
Bottom Gasket Set		747191M91	S.40610
8 Rocker Cover Gasket		3638482M1	S.42123
9 Head Gasket	>U027774M	3638845M1	S.40624
9 Head Gasket	U027774M>	3637498M1	S.41952
10 Sump Gasket			

Fendt

Fiatagri

Ford



1 Main Bearings (1 set)	Standard	735168M91	S.40339
	0,010"	735169M91	S.40340
	0,020"	735170M91	S.40341
	0,030"	735171M91	S.40342
2 Conrod Bearings (1 set)	Standard	736950M91	S.40323
	0,010"	736951M91	S.40324
	0,020"	736952M91	S.40325
	0,030"	736953M91	S.40326
3 Thrust Washers (1 set)	Standard	747128/29M1	S.40345
	0,007"	735742/43M1	S.40346
4 Crankshaft			
	Lock Tab	731192M1	S.40347
	Ring Gear	731008M1	S.40364
5 Front Oil Seal		1447690M1	S.40351
6 Rear Oil Seal	Black Viton	1447691M1	S.40356

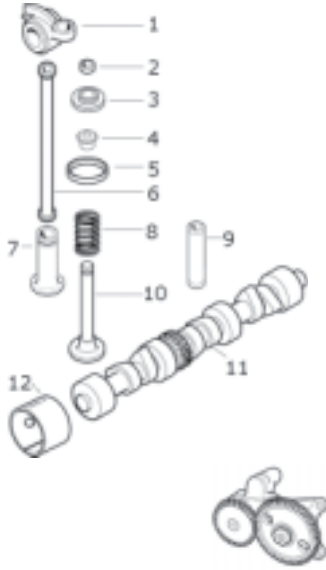
M F

Renault

Zetor

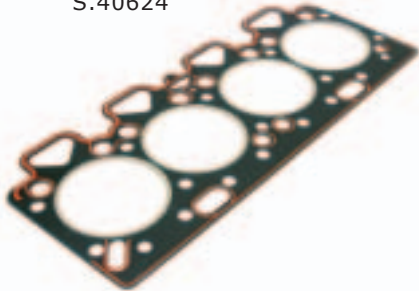


Description	Remarks	Replaces	Sparex
1 Conrod			
2 Small End Bush		31134131	S.42247
3 Conrod Bolt and Nut			S.40363
4 Conrod Nut			S.41329

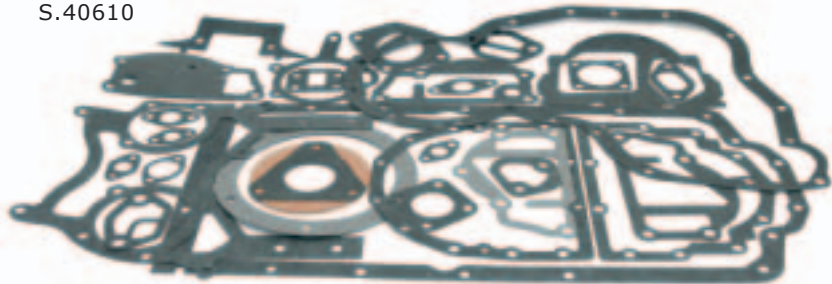


1	Rocker Arm (LH)	3637072M91	S.41920
	Rocker Arm (RH)	3637071M91	S.41919
2	Collet	746453M1	S.41413
3	Valve Retainer		
4	Valve Stem Seal	3637041M1	S.41325
5	Valve Insert / Seal		
6	Push Rod	733817M1	S.30019
7	Tappet/Cam Follow er	740671M1	S.41918
	Inner Valve Spring (2mm)	735522M1	S.40501
8	Inner Valve Spring (2,5mm)	735525M1	S.40502
	Outer Valve Spring	735521M1	S.40507
9	Exhaust Valve Guide	748420M1	S.41539
10	Inlet Valve		
	Exhaust Valve	747552M1	S.40488
11	Camshaft		
12	Camshaft Bush		S.41399
13	Balancer w ith Oil Pump	3637353M91	S.40512

S.40624



S.40610



Case IH

David Brown

Deutz

Fendt

Fiatagri

Ford

John Deere

M F

Renault

Zetor

Massey Ferguson

Engine	Liner mm			Piston mm			Additional information
	Perkins	Cyl.	Bore	Height	Pin	Height	
A4.248	4	100,33	223,6	34,93	120,69 120,72	4 3	See page 179 for Piston dimensions
Models: 50, 60, 185, 178, 188, 194-4F, 285, 290, 293, 294S, 382, 382N, 383, 383S, 387, 390, 393, 394, 397, 440, 590, 690, 3060							

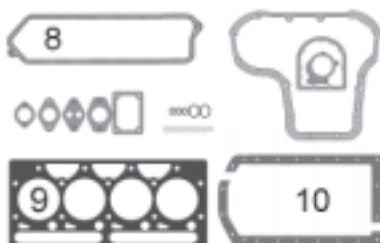
Case IH



Description	Remarks	Replaces	Sparex
1 Piston and Liner Set (per Cyl.)			S.40451
2 Liner (223,90mm Height)	>839079J	737214M1	S.41375
3 Piston (120,69mm)		740821M91	S.40411
4 Ring Set (4 rings)		747041M91	S.40424
1 Piston and Liner Set (per Cyl.)			S.40452
2 Liner (227,28mm Height)	>U08336N	742466M1	S.40437
3 Piston (120,69mm)		740821M91	S.40411
4 Ring Set (4 rings)		747041M91	S.40424
1 Piston and Liner Set (per Cyl.)			S.41595
2 Liner (226,52mm Height)	U08337N>	3637334M1	S.41375
3 Piston (120,72mm)		747050M91	S.41540
4 Ring Set (3 rings)		747428M91	S.41401

David Brown

Deutz

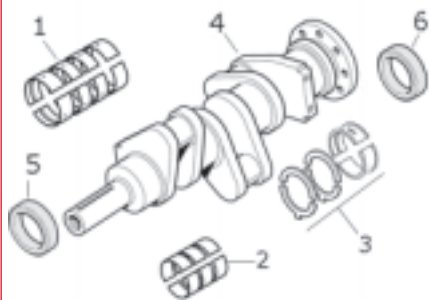


Top Gasket Set	>U106654N	3637363M91	S.40594
Bottom Gasket Set		747191M91	S.40610
Bottom Gasket Set	Industrial	747192M91	S.41617
8 Rocker Cover Gasket		746714M1	S.40634
9 Head Gasket	>U106654N	746342M1	S.40624
9 Head Gasket	U106655N>	3637341M1	S.41951
10 Sump Gasket			

Fendt

Fiatagri

Ford



1 Main Bearings (1 set)	Standard	735168M91	S.40339
	0,010"	735169M91	S.40340
	0,020"	735170M91	S.40341
	0,030"	735171M91	S.40342
2 Conrod Bearings (1 set)	Standard	736950M91	S.40323
	0,010"	736951M91	S.40324
	0,020"	736952M91	S.40325
3 Thrust Washers (1 set)	Standard	747128/29M1	S.40345
	0,007"	735742/43M1	S.40346
4 Crankshaft	Rope Seals	3637789M91	S.41641
	Oil Seals	736829M91	S.40314
Lock Tab		731192M1	S.40347
Ring Gear		731008M1	S.40364
5 Front Oil Seal		1447690M1	S.40351
6 Rear Oil Seal	Rope	735942M1	S.40355
	Black Viton	1447691M1	S.40356

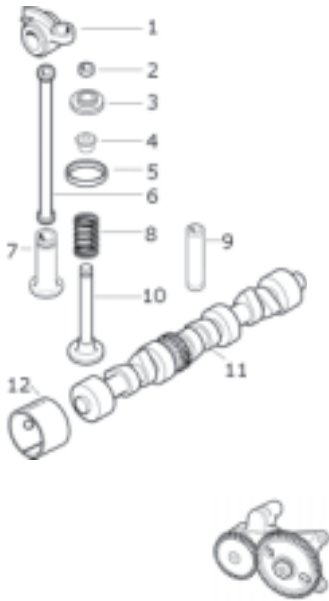
M F

Renault

Zetor



	Description	Remarks	Replaces	Sparex
1	Conrod		3637034M91	S.40359
2	Small End Bush		733767M1	S.40361
3	Conrod Bolt and Nut			S.40363
4	Conrod Nut			S.41329



1	Rocker Arm (LH)		3637072M91	S.41920
	Rocker Arm (RH)		3637071M91	S.41919
2	Collet		736453M1	S.41413
3	Valve Retainer			
4	Valve Stem Seal			
5	Valve Insert / Seal		3637041M1	S.41325
6	Push Rod		733817M1	S.30019
7	Tappet/Cam Follow er		740671M1	S.41918
	Inner Valve Spring (2mm)		733822M1	S.40501
8	Inner Valve Spring (2,5mm)		735525M1	S.40502
	Outer Valve Spring		735521M1	S.40507
9	Inlet Valve Guide		3637056M1	S.40496
	Exhaust Valve Guide		748420M1	S.41539
10	Inlet Valve	Standard	739027M1	S.40478
	Exhaust Valve	Standard	747552M1	S.40488
11	Camshaft	>106654N	736818M1	S.41523
	Camshaft	106655N>	3637537M1	S.41524
12	Camshaft Bush		3638579M1	S.41399
13	Oil Pump		735118M91	S.5936
	Oil Pump for 6 Hole Balancer		3637489M91	S.41938

Case IH

David Brown

Deutz

Fendt

Fiatagri

Ford

John Deere

M F

Renault

Zetor

S.5936



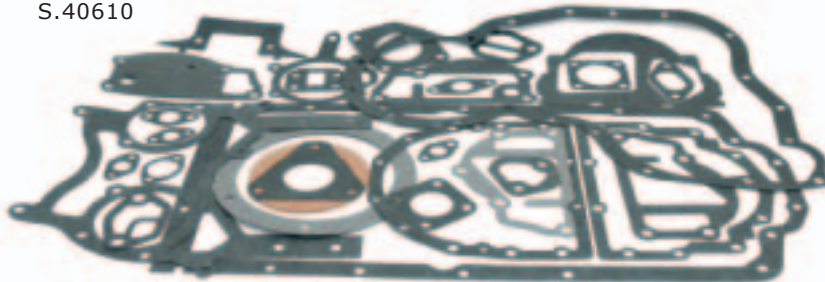
S.41938



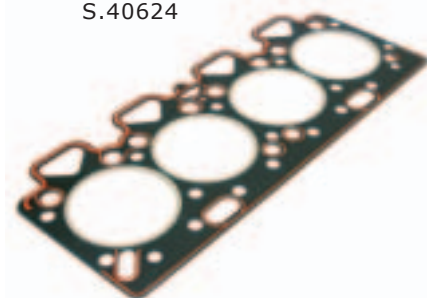
S.40634



S.40610



S.40624



Massey Ferguson

Engine	Liner mm			Piston mm			Additional information
	Perkins	Cyl.	Bore	Height	Pin	Height	
A4.318	4					4	

Models: 285, 595, 595KM, 1080



Description	Remarks	Replaces	Sparex
1 Piston and Liner Set (per Cyl.)			
2 Liner			
3 Piston			
4 Ring Set (4 rings)		745950M91	S.40426
Top Gasket Set		746288M91	S.40596
Bottom Gasket Set		743789M91	S.40612
8 Rocker Cover Gasket			
9 Head Gasket			
10 Sump Gasket			

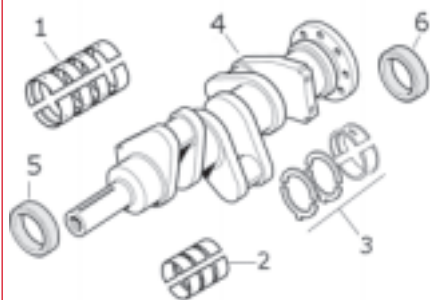
Case IH

David Brown

Deutz

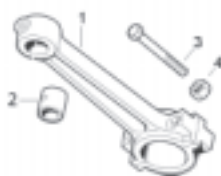
Fendt

Fiatagri



1 Main Bearings (1 set)	Standard 0,010" 0,020" 0,030"		
2 Conrod Bearings (1 set)	Standard 0,010" 0,020" 0,030"		
3 Thrust Washers (1 set)	Standard 0,007"		
4 Crankshaft	Rope Seals Oil Seals		
Lock Tab		731192M1	S.40347
Ring Gear		731988M1	S.41449
5 Front Oil Seal			
6 Rear Oil Seal	Black Viton	1447691M1	S.40356

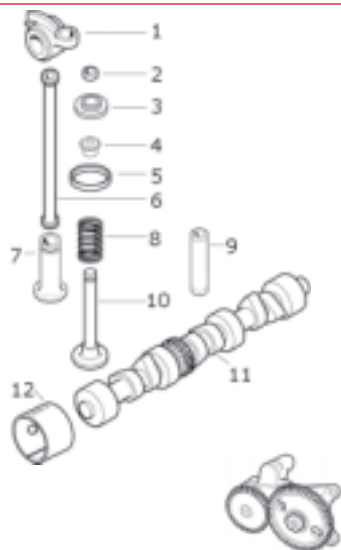
Ford



1 Conrod			
2 Small End Bush		733767M1	S.40361
3 Conrod Bolt and Nut			
4 Conrod Nut			

John Deere

M F



1 Rocker Arm (LH) Rocker Arm (RH)			
2 Collet		736453M1	S.41413
3 Valve Retainer			
4 Valve Stem Seal			
5 Valve Insert / Seal			
6 Push Rod			
Inner Valve Spring (2mm)		733822M1	S.40501
8 Inner Valve Spring (2,5mm) Outer Valve Spring		735525M1 735521M1	S.40502 S.40507
9 Valve Guide		738094M1	S.41746
10 Inlet Valve Exhaust Valve		738095M1 738944M1	S.41747 S.41820
11 Camshaft			
12 Camshaft Bush			
13 Oil Pump		737020M91	S.42441

Renault

Zetor

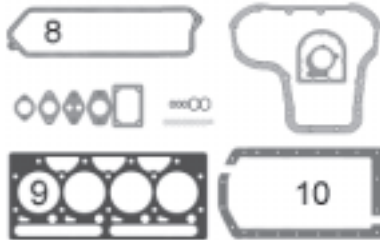
Massey Ferguson

Engine	Liner mm			Piston mm			Additional information
	Perkins	Cyl.	Bore	Height	Pin	Height	
1004.4	4	100,059	226,5	34,92	108,14	5	

Models: 4325, 3330



Description	Remarks	Replaces	Sparex
1 Piston and Liner Set (per Cyl.)			S.30039
2 Liner		748216M1	S.42431
3 Piston		3638989M91	S.42937
4 Ring Set (5 rings)		3637033M91	S.42939



Top Gasket Set		3638709M91	S.42401
Bottom Gasket Set		3640515M91	S.42402
8 Rocker Cover Gasket		3640094M1	S.42403
9 Head Gasket		4222534M1	S.42400
10 Sump Gasket		U5MK0600	S.30012

Sparex

Case IH

David Brown

Deutz

Fendt

Fiatagri

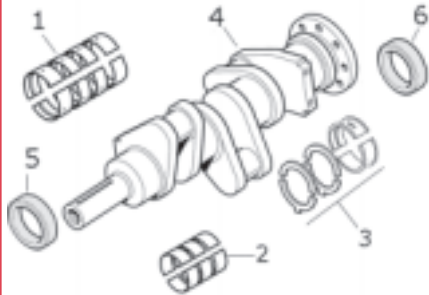
Ford

John Deere

M F

Renault

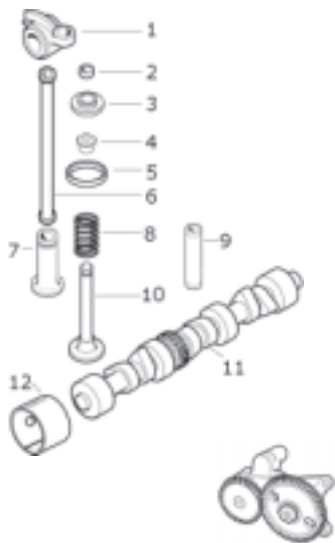
Zetor



1 Main Bearings (1 set)	Standard	735168M91	S.40339
	0,010"	735169M91	S.40340
	0,020"	735170M91	S.40341
	0,030"	735171M91	S.40342
2 Conrod Bearings (1 set)	Standard	736950M91	S.40323
	0,010"	736951M91	S.40324
	0,020"	736952M91	S.40325
3 Thrust Washers (1 set)	0,030"	736953M91	S.40326
	Standard	747128/29M1	S.40345
4 Crankshaft		ZZ90082	S.40314
5 Front Oil Seal		1447690M1	S.40351
6 Rear Oil Seal		1447691M91	S.40356



1 Conrod		3637034M91	S.40359
2 Small End Bush		733767M1	S.40361
3 Conrod Bolt and Nut		3637029/30	S.40363
4 Conrod Nut		3637030M1	S.41329



Rocker Arm (LH)		4223076M91	S.30017
1 Rocker Arm (RH)		4223075M91	S.30018
2 Collet		736453M1	S.41413
3 Valve Retainer			
4 Valve Stem Seal		3637041M1	S.41325
5 Valve Insert / Seal			
6 Push Rod		733817M1	S.30019
7 Tappet/Cam Follow er		740671M1	S.41918
Inner Valve Spring		740465M1	S.30014
8 Outer Valve Spring		740467M1	S.30015
Inlet Valve Guide		736297M1	S.40496
9 Exhaust Valve Guide		748420M1	S.41539
Inlet Valve		748413M1	S.30038
10 Exhaust Valve		748309M1	S.41745
11 Camshaft		3641840M91	S.30016
12 Camshaft Bush		734883M1	S.41399
13 Oil Pump		3640908M91	S.42433

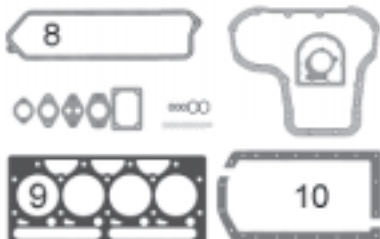
Massey Ferguson

Engine	Liner mm			Piston mm			Additional information
	Perkins	Cyl.	Bore	Height	Pin	Height	
1004.4T	4	100,059	226,5	38,1	108,18	5	

Models: 3075, 4245, 4255, 4345, 4365, 6130, 6140, 6150, 6235, 6245, 6255, 6265



Description	Remarks	Replaces	Sparex
1 Piston and Liner Set (per Cyl.)			S.42737
2 Liner		748216M1	S.42431
3 Piston		3640593M91	S.42436
4 Ring Set (5 rings)		3641316M91	S.42437

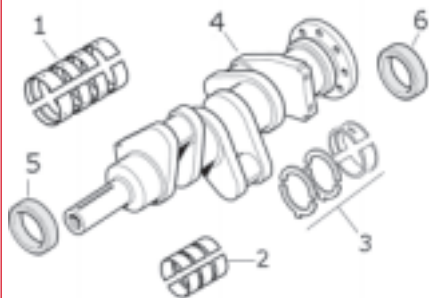


Top Gasket Set		3638709M91	S.42401
Bottom Gasket Set		4224042M91	S.30025
8 Rocker Cover Gasket		3640094M1	S.42403
9 Head Gasket		3641865M1	S.42400
10 Sump Gasket		U5MK0600	S.30012

Case IH

David Brown

Deutz



1 Main Bearings (1 set)	Standard	735168M91	S.40339
	0,010"	735169M91	S.40340
	0,020"	735170M91	S.40341
	0,030"	735171M91	S.40342
2 Conrod Bearings (1 set)	Standard	3637791M91	S.42972
	0,010"	3637792M91	S.42973
	0,020"	3637793M91	S.42974
3 Thrust Washers (1 set)	Standard	747128M1	S.40345
4 Crankshaft		3640408M91	S.30027
5 Front Oil Seal		1447690M1	S.40351
6 Rear Oil Seal		1447691M1	S.40356

Fendt

Fiatagri

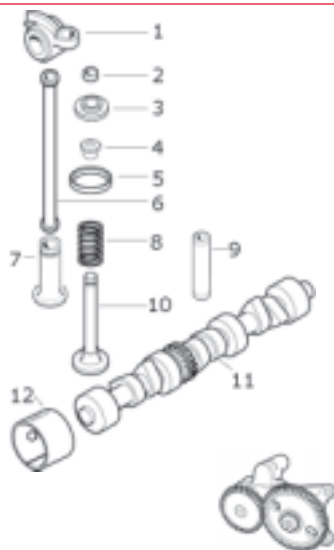
Ford



1 Conrod		3637028M91	S.30028
2 Small End Bush		744971M1	S.42247
3 Conrod Bolt and Nut		3637029/30	S.40363
4 Conrod Nut		3637030M1	S.41329

John Deere

M F



1 Rocker Arm (LH)		4223076M91	S.30017
1 Rocker Arm (RH)		4223075M91	S.30018
2 Collet		736453M1	S.41413
3 Valve Retainer			
4 Valve Stem Seal		3637041M1	S.41325
5 Valve Insert / Seal			
6 Push Rod		733817M1	S.30019
7 Tappet/Cam Follow er		4222069M1	S.41918
8 Inner Valve Spring		740465M1	S.30014
8 Outer Valve Spring		740467M1	S.30015
9 Inlet Valve Guide		3637056M1	S.40496
9 Exhaust Valve Guide		748420M1	S.41539
10 Inlet Valve >U608301W		3637042M1	S.30029
10 Inlet Valve <U608301W		3640597M1	S.42439
Exhaust Valve		748309M1	S.41745
11 Camshaft		3641840M91	S.30016
12 Camshaft Bush		3638579M1	S.41399
13 Oil Pump		4222282M91	S.42434

Renault

Zetor

Massey Ferguson

Engine	Liner mm			Piston mm			Additional information
	Perkins	Cyl.	Bore	Height	Pin	Height	
A6.354	6	98,46	227,57	34,93	120,23	5	

Models: MD500, MD510, MD515, MD520, MD525, 1100, 1104



Description	Remarks	Replaces	Sparex
1 Piston and Liner Set (per Cyl.)			S.40455
2 Liner	>S653769H	744948M1	S.40434
3 Piston		738871M91	S.40412
4 Ring Set (5 rings)		745747M91	S.40422
1 Piston and Liner Set (per Cyl.)			S.40456
2 Liner	S653769H>	744948M1	S.40434
3 Piston		3637280M91	S.40413
4 Ring Set (5 rings)		745752M91	S.40427
Top Gasket Set		747175M91	S.40597
Bottom Gasket Set		747195M91	S.40616
8 Rocker Cover Gasket			
9 Head Gasket		744723M1	S.40625
10 Sump Gasket			

Sparex

Case IH

David Brown

Deutz

Fendt

Fiatagri

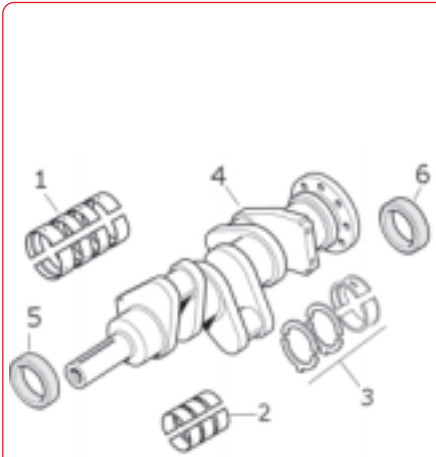
Ford

John Deere

M F

Renault

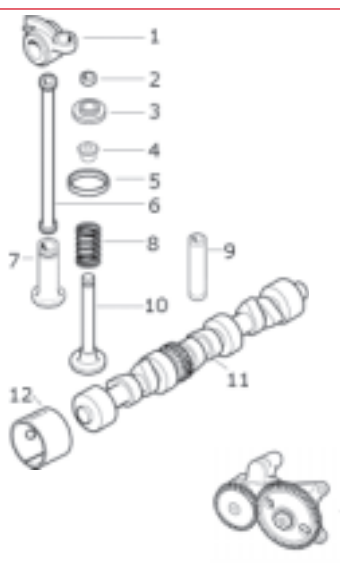
Zetor



1 Main Bearings (1 set)	Standard	736930M91	S.42118
	0,010"	3638765M91	S.42119
	0,020"	736932M91	S.42120
	0,030"	3638767M91	S.42121
2 Conrod Bearings (1 set)	Standard	736934M91	S.40327
	0,010"	736935M91	S.40328
	0,020"	736936M91	S.40329
3 Thrust Washers (1 set)	Standard	747128/29M1	S.40345
	0,007"	735742/43M1	S.40346
1 Crankshaft	Rope Seals	ZZ90089	S.60225
	Oil Seals	ZZ90090	S.60097
		731192M1	S.40347
		731988M1	S.41449
5 Front Oil Seal		1447690M1	S.40351
6 Rear Oil Seal	Black Viton	1447691M1	S.40356
	Rope	735942M1	S.40355



1 Conrod		3637034M91	S.40359
2 Small End Bush		733767M1	S.40361
3 Conrod Bolt and Nut		3637029/30	S.40363
4 Conrod Nut		3637030M1	S.41329



1 Rocker Arm (LH)			
	Rocker Arm (RH)		
2 Collet		736453M1	S.41413
3 Valve Retainer			
4 Valve Stem Seal			
5 Valve Insert / Seal		3637041M1	S.41325
6 Push Rod		733817M1	S.30019
7 Tappet/Cam Follower		740671M1	S.41918
8 Inner Valve Spring		731525M1	S.40502
	Outer Valve Spring	735521M1	S.40507
9 Inlet Valve Guide		3637056M1	S.40496
Exhaust Valve Guide		734154M1	S.40497
10 Inlet Valve		735820/27M1	S.40478
	Exhaust Valve	747552M1	S.40488
11 Camshaft			
12 Camshaft Bush			
13 Oil Pump (short shaft)		739400M91	S.41937
	Oil Pump (long shaft)	736012M91	S.41934

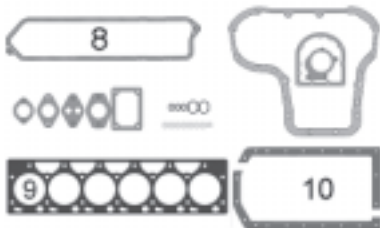
These parts are Sparex parts and are not manufactured by the Original Equipment Manufacturer. Original names, part numbers and descriptions are quoted for reference purposes only and are not intended to indicate or suggest that our replacement parts are made by the OEM.

Massey Ferguson

Engine	Liner mm			Piston mm			Additional information
	Perkins	Cyl.	Bore	Height	Pin	Height	
AT6.354	6	98,46	227,57	38,1	120,42	4	
Models: 31XP							



Description	Remarks	Replaces	Sparex
1 Piston and Liner Set (per Cyl.)			S.40457
2 Liner		744948M1	S.40434
3 Piston		738368M91	S.40414
4 Ring Set (4 rings)		745751M91	S.40428



Top Gasket Set	747219M91	S.40598
Bottom Gasket Set	747195M91	S.40616
8 Rocker Cover Gasket		
9 Head Gasket	744723M1	S.40625
10 Sump Gasket		

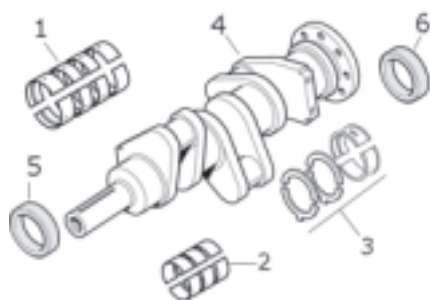
Case IH

David Brown

Deutz

Fendt

Fiatagri



1 Main Bearings (1 set)	Standard 0,010" 0,020" 0,030"	
2 Conrod Bearings (1 set)	Standard 0,010" 0,020" 0,030"	
3 Thrust Washers (1 set)	Standard 0,007"	
4 Crankshaft	Rope Seals	
4 Crankshaft	Oil Seals	
Lock Tab	731192M1	S.40347
Ring Gear	731988M1	S.41449
5 Front Oil Seal	1447690M1	S.40351
6 Rear Oil Seal	Black Viton 1447691M1	S.40356
6 Rear Oil Seal	Rope	

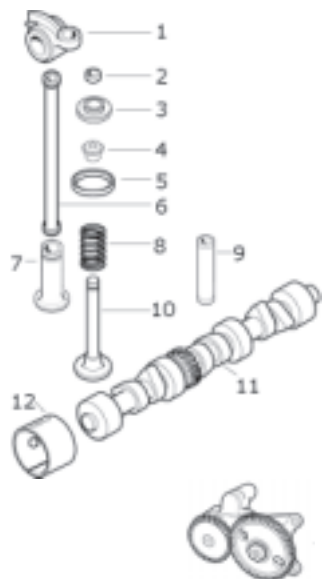
Ford



1 Conrod	
2 Small End Bush	
3 Conrod Bolt and Nut	
4 Conrod Nut	

John Deere

M F



1 Rocker Arm (LH)		
1 Rocker Arm (RH)		
2 Collet		
3 Top Retainer		
3 Bottom Retainer		
4 Valve Stem Seal		
5 Valve Insert / Seal		
6 Push Rod	733817M1	S.30019
7 Tappet/Cam Follow er	740671M1	S.41918
8 Inner Valve Spring		
8 Outer Valve Spring		
9 Inlet Valve Guide		
9 Exhaust Valve Guide		
10 Inlet Valve		
10 Exhaust Valve		
11 Camshaft		
12 Camshaft Bush		
13 Oil Pump	736012M91	S.41934

Renault

Zetor

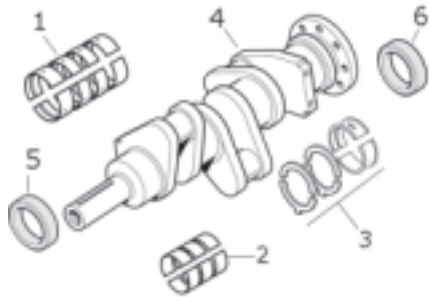
Massey Ferguson

Engine	Liner mm			Piston mm			Additional information
	Perkins	Cyl.	Bore	Height	Pin	Height	
A6.354.1	6	98,46	227,57	34,93	120,69	5	

Models: 1014, 1105, 1200



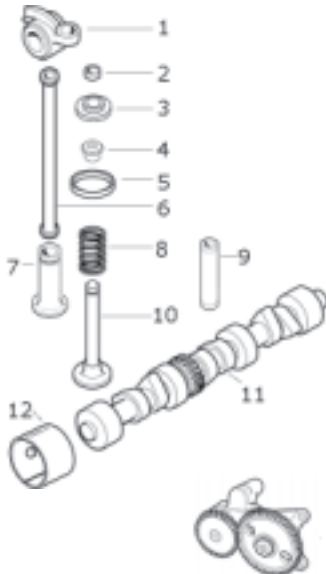
Description	Remarks	Replaces	Sparex
1 Piston and Liner Set (per Cyl.)			S.40456
2 Liner		744948M1	S.40434
3 Piston		3637280M91	S.40413
4 Ring Set (5 rings)		745752M91	S.40427
Top Gasket Set		747178M91	S.40599
Bottom Gasket Set		747195M91	S.40616
8 Rocker Cover Gasket			
9 Head Gasket		742993M91	S.40619
10 Sump Gasket			



1 Main Bearings (1 set)	Standard	736930M91	S.42118
	0,010"	3638765M91	S.42119
	0,020"	736932M91	S.42120
	0,030"	3638767M91	S.42121
2 Conrod Bearings (1 set)	Standard	736934M91	S.40327
	0,010"	736935M91	S.40328
	0,020"	736936M91	S.40329
3 Thrust Washers (1 set)	Standard	747128/29M1	S.40345
	0,007"	735742/43M1	S.40346
4 Crankshaft	Rope Seals	ZZ90089	S.60225
	Oil Seals	ZZ90090	S.60097
	Lock Tab	731192M1	S.40347
	Ring Gear	731988M1	S.41449
5 Front Oil Seal		1447690M1	S.40351
6 Rear Oil Seal	Black Viton	1447691M1	S.40356
	Rope	735942M1	S.40355



1 Conrod	3637034M91	S.40359
2 Small End Bush	733767M1	S.40361
3 Conrod Bolt and Nut	3637029/30	S.40363
4 Conrod Nut	3637030M1	S.41329



1 Rocker Arm (LH)			
	Rocker Arm (RH)		
2 Collet	736453M1	S.41413	
3 Top Retainer			
	Bottom Retainer		
4 Valve Stem Seal			
5 Valve Insert / Seal			
6 Push Rod	733817M1	S.30019	
7 Tappet/Cam Follower	740671M1	S.41918	
8 Inner Valve Spring	731525M1	S.40502	
	Outer Valve Spring	735521M1	S.40507
9 Inlet Valve Guide	3637056M1	S.40496	
	Exhaust Valve Guide	734154M1	S.40497
10 Inlet Valve	735820/27M1	S.40478	
	Exhaust Valve	747552M1	S.40488
11 Camshaft			
12 Camshaft Bush			
13 Oil Pump	736012M91	S.41934	

Sparex

Case IH

David Brown

Deutz

Fendt

Fiatagri

Ford

John Deere

M F

Renault

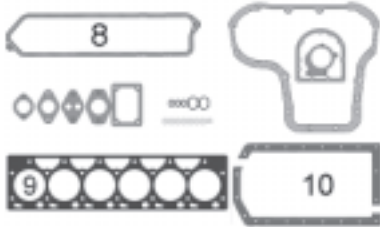
Zetor

Massey Ferguson

Engine	Liner mm			Piston mm			Additional information
	Perkins	Cyl.	Bore	Height	Pin	Height	
AT6.354.1	6	98,46	227,57	38,1	120,42	4	
Models: 1130, 1135							



Description	Remarks	Replaces	Sparex
1 Piston and Liner Set (per Cyl.)		Order Components	
2 Liner		744948M1	S.40434
3 Piston		738368M91	S.40414
4 Ring Set (4 rings)		745751M91	S.40428



Top Gasket Set		U5LT0026	S.40599
Bottom Gasket Set		747195M91	S.40616
8 Rocker Cover Gasket			
9 Head Gasket			
10 Sump Gasket			

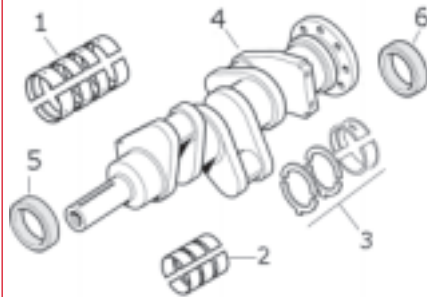
Case IH

David Brown

Deutz

Fendt

Fiatagri



1 Main Bearings (1 set)	Standard		
	0,010"		
	0,020"		
	0,030"		
2 Conrod Bearings (1 set)	Standard		
	0,010"		
	0,020"		
	0,030"		
3 Thrust Washers (1 set)	Standard	747128/29M1	S.40345
	0,007"	735742/43M1	S.40346
4 Crankshaft			
Lock Tab		731192M1	S.40347
Ring Gear			
5 Front Oil Seal		1447690M1	S.40351
6 Rear Oil Seal	Black Viton	1447691M1	S.40356
Rear Oil Seal			

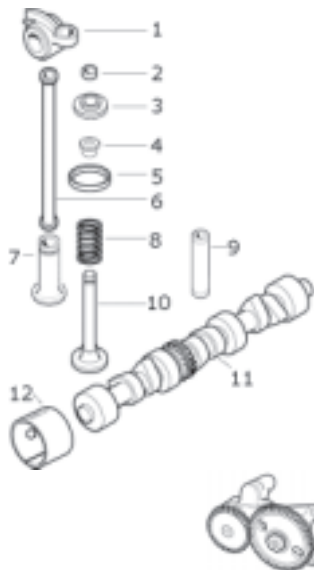
Ford



1 Conrod			
2 Small End Bush			
3 Conrod Bolt and Nut		3637029/30	S.40363
4 Conrod Nut		3637030M1	S.41329

John Deere

M F



1 Rocker Arm (LH)			
Rocker Arm (RH)			
2 Collet		736453M1	S.41413
3 Top Retainer			
Bottom Retainer			
4 Valve Stem Seal			
5 Valve Insert / Seal			
6 Push Rod		733817M1	S.30019
7 Tappet/Cam Follow er		740671M1	S.41918
8 Inner Valve Spring		731525M1	S.40502
Outer Valve Spring		735521M1	S.40507
9 Inlet Valve Guide		3637056M1	S.40496
Exhaust Valve Guide		748420M1	S.41539
10 Inlet Valve		735820/27M1	S.40478
Exhaust Valve		741466M1	S.40488
11 Camshaft			
12 Camshaft Bush			
13 Oil Pump		41314067	S.41934

Renault

Zetor

Massey Ferguson

Engine	Liner mm			Piston mm			Additional information
	Perkins	Cyl.	Bore	Height	Pin	Height	
A6.354.4	6	98,46	227,57	34,93	120,6	3	

Models: 399, 530, 353, 699, 800, 805, 1114, 1250, 2620, 2640, 2645, 2675, 3080, 3090, 3610



Description	Remarks	Replaces	Sparex
1 Piston and Liner Set (per Cyl.)			
2 Liner		744948M1	S.40434
3 Piston		748266M91	S.42197
4 Ring Set (3 rings)		745738M91	S.42207
Top Gasket Set		74717191	S.40600
Bottom Gasket Set		747195M91	S.40616
8 Rocker Cover Gasket		744381M1	S.41637
9 Head Gasket		745491M1	S.41638
10 Sump Gasket			

Sparex

Case IH

David Brown

Deutz

Fendt

Fiatagri

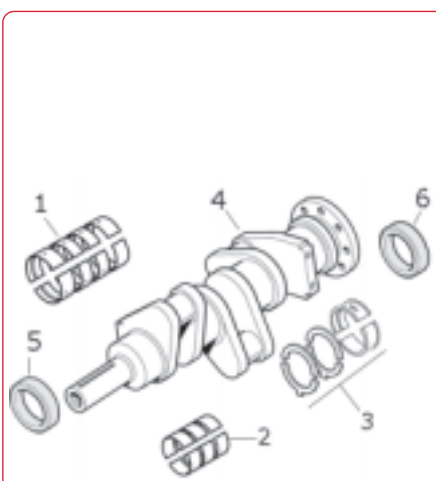
Ford

John Deere

M F

Renault

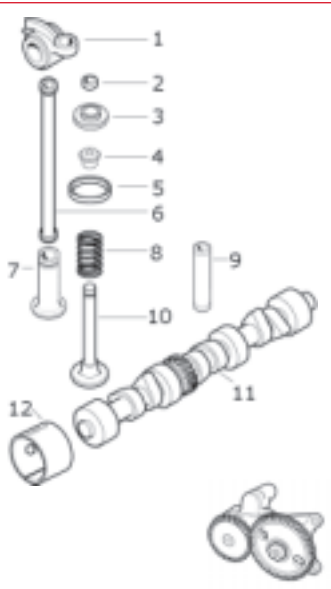
Zetor



1 Main Bearings (1 set)	Standard	744921M91	S.60335
	0,010"	744922M91	S.60336
	0,020"	744923M91	S.60337
	0,030"	744924M91	S.60338
2 Conrod Bearings (1 set)	Standard	736934M91	S.40327
	0,010"	736935M91	S.40328
	0,020"	736936M91	S.40329
3 Thrust Washers (1 set)	Standard	747128/29M1	S.40345
	0,007"	735742/43M1	S.40346
4 Crankshaft	Rope Seals	3637408M91	S.60096
	Oil Seals	ZZ90086	S.60095
	Lock Tab	731192M1	S.40347
Ring Gear		731988M1	S.41449
5 Front Oil Seal		1447690M1	S.40351
6 Rear Oil Seal	Black Viton	1447691M1	S.40356
	Rope	735942M1	S.40355



1 Conrod	3637034M91	S.40359
2 Small End Bush	733767M1	S.40361
3 Conrod Bolt and Nut	3637029/30	S.40363
4 Conrod Nut	3637030M1	S.41329



1	Rocker Arm (LH)		
	Rocker Arm (RH)		
2	Collet	736453M1	S.41413
3	Top Retainer		
	Bottom Retainer		
4	Valve Stem Seal	3637041M1	S.41325
5	Valve Insert / Seal		
6	Push Rod	733817M1	S.30019
7	Tappet/Cam Follow er	740671M1	S.41918
	Inner Valve Spring	731525M1	S.40502
	Outer Valve Spring	735521M1	S.40507
9	Inlet Valve Guide	3637056M1	S.40496
	Exhaust Valve Guide	748420M1	S.41539
10	Inlet Valve	735820/27M1	S.40478
	Exhaust Valve	748309M1	S.41745
11	Camshaft		
12	Camshaft Bush		
13	Oil Pump	>U757253N	747292M91 S.41935
	Oil Pump	U757254N>	747293M91 S.41936

These parts are Sparex parts and are not manufactured by the Original Equipment Manufacturer. Original names, part numbers and descriptions are quoted for reference purposes only and are not intended to indicate or suggest that our replacement parts are made by the OEM.

Massey Ferguson

Engine	Liner mm			Piston mm			Additional information
	Perkins	Cyl.	Bore	Height	Pin	Height	
AT6.354.4	6	98,46	227,57	34,93	120,73	3	
Models: 560, 565, 660, 665, 750, 760, 820, 825, 830, 835, 840, 845, 1134, 2680, 2685, 2720, 2725, 3630, 3650							



Description	Remarks	Replaces	Sparex
1 Piston and Liner Set (per Cyl.)		Order Components	
2 Liner		744948M1	S.40434
3 Piston		748267M91	S.42199
4 Ring Set (3 rings)		745738M91	S.42207
Top Gasket Set		747172M91	S.40601
Bottom Gasket Set		747195M91	S.40616
8 Rocker Cover Gasket		744381M1	S.41637
9 Head Gasket		745491M1	S.41638
10 Sump Gasket			

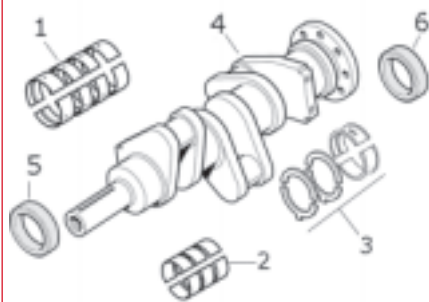
Case IH

David Brown

Deutz

Fendt

Fiatagri



1 Main Bearings (1 set)	Standard	744921M91	S.60335
	0,010"	744922M91	S.60336
	0,020"	744923M91	S.60337
	0,030"	744924M91	S.60338
2 Conrod Bearings (1 set)	Standard	736934M91	S.40327
	0,010"	736935M91	S.40328
	0,020"	736736M91	S.40329
	0,030"	736937M91	S.40330
3 Thrust Washers (1 set)	Standard	744128/29M1	S.40345
	0,007"	735742/43M1	S.40346
4 Crankshaft		3637404M91	S.60095
Lock Tab		731192M1	S.40347
Ring Gear		731988M1	S.41449
5 Front Oil Seal			
6 Rear Oil Seal	Black Viton	1447691M1	S.40356
Rear Oil Seal			

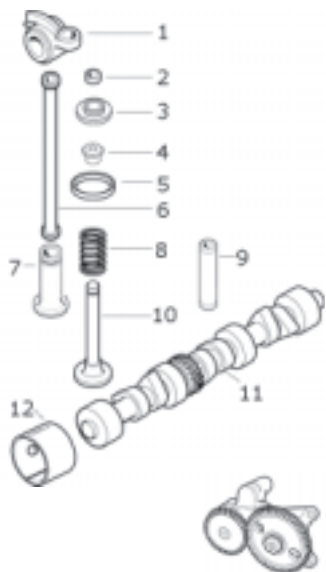
Ford



1 Conrod			
2 Small End Bush		744971M1	S.42247
3 Conrod Bolt and Nut		3637029/30	S.40363
4 Conrod Nut		3637030M1	S.41329

John Deere

M F



1 Rocker Arm (LH)			
Rocker Arm (RH)			
2 Collet		736453M1	S.41413
3 Top Retainer			
Bottom Retainer			
4 Valve Stem Seal			
5 Valve Insert / Seal		3637041M1	S.41325
6 Push Rod		733817M1	S.30019
7 Tappet/Cam Follow er		740671M1	S.41918
8 Inner Valve Spring		731525M1	S.40502
Outer Valve Spring		735521M1	S.40507
9 Inlet Valve Guide		3637056M1	S.40496
Exhaust Valve Guide		748420M1	S.41539
10 Inlet Valve		735820M1	S.40478
Exhaust Valve		748309M1	S.41745
11 Camshaft			
12 Camshaft Bush			
13 Oil Pump	>U757253N	747292M91	S.41935
Oil Pump	U757254N>	747293M91	S.41936

Renault

Zetor

Massey Ferguson

Engine	Liner mm			Piston mm			Additional information
	Perkins	Cyl.	Bore	Height	Pin	Height	
1006.6	6	100,059	226,5	34,92	108,14	5	

Models: 3085, 3095, 3115, 4260, 4270, 6160, 6170, 6260



Description	Remarks	Replaces	Sparex
1 Piston and Liner Set (per Cyl.)			S.30039
2 Liner		748216M1	S.42431
3 Piston		3638989M91	S.42937
4 Ring Set (5 rings)		3637033M91	S.42939
Top Gasket Set		3638697M91	S.42397
Bottom Gasket Set		4222229M91	S.42398
8 Rocker Cover Gasket		48329M1	S.42399
9 Head Gasket		4222354M1	S.42396
10 Sump Gasket			

Sparex

Case IH

David Brown

Deutz

Fendt

Fiatagri

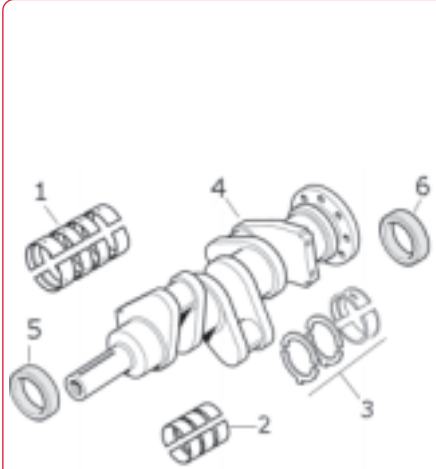
Ford

John Deere

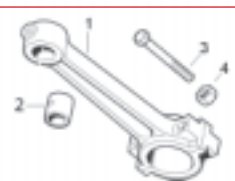
M F

Renault

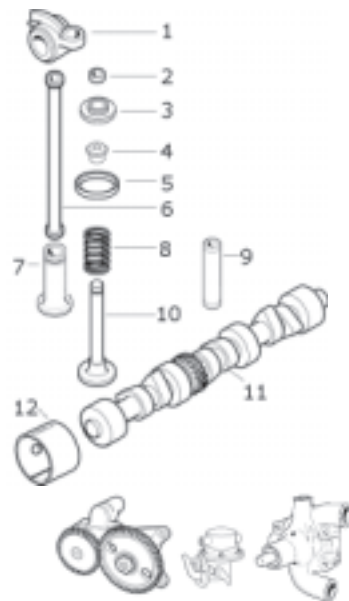
Zetor



1 Main Bearings (1 set)	Standard	3637020M91	S.42478
	0,010"	3637021M91	S.42479
	0,020"	3637022M91	S.42480
	0,030"	3637023M91	S.42481
2 Conrod Bearings (1 set)	Standard	736934M91	S.40327
	0,010"	736935M91	S.40328
	0,020"	736936M91	S.40329
	0,030"	736937M91	S.40330
3 Thrust Washers (1 set)	Standard	747128M1	S.40345
4 Crankshaft		3638402M91	S.30030
5 Front Oil Seal		1447690M1	S.40351
6 Rear Oil Seal		1447691M91	S.40356



1 Conrod	3637034M91	S.40359
2 Small End Bush	733767M1	S.40361
3 Conrod Bolt and Nut	3637029/30	S.40363
4 Conrod Nut	3637030M1	S.41329



1	Rocker Arm (LH)	4223076M91	S.30017
	Rocker Arm (RH)	4223075M91	S.30018
2	Collet	736453M1	S.41413
	Top Retainer		
	Bottom Retainer		
4	Valve Stem Seal	3637041M1	S.41325
5	Valve Insert / Seal		
6	Push Rod	733817M1	S.30019
7	Tappet/Cam Follow er	740671M1	S.41918
8	Inner Valve Spring	740465M1	S.30014
	Outer Valve Spring	740467M1	S.30015
9	Inlet Valve Guide		
	Exhaust Valve Guide	748420M1	S.41539
10	Inlet Valve	748413M1	S.30038
	Exhaust Valve	748309M1	S.41745
11	Camshaft	3641738M1	S.30031
12	Camshaft Bush		
13	Oil Pump	3638595M91	S.42432
14	Fuel Pump	4222105M91	S.40565
15	Water Pump	3641860M91	S.42316

These parts are Sparex parts and are not manufactured by the Original Equipment Manufacturer. Original names, part numbers and descriptions are quoted for reference purposes only and are not intended to indicate or suggest that our replacement parts are made by the OEM.

Massey Ferguson

Engine	Liner mm			Piston mm			Additional information
	Perkins	Cyl.	Bore	Height	Pin	Height	
1006.6T	6	100,059	226,5	38,1	108,18	3	See page 179 for Piston dimensions
Models: 3120, 3125, 3140, 3635, 3645, 3655, 3660, 4270, 4370, 6180, 6190, 6270, 6280, 6290, 8110, 8120, 8130, 8210, 8220							



Description	Remarks	Replaces	Sparex
1 Piston and Liner Set (per Cyl.)			S.42737
2 Liner		748216M1	S.42431
3 Piston		3640593M91	S.42436
4 Ring Set (3 rings)		3641316M91	S.42437
Top Gasket Set		3638697M91	S.42397
Bottom Gasket Set		4222229M91	S.42398
8 Rocker Cover Gasket		748329M1	S.42399
9 Head Gasket		4222354M1	S.42396
10 Sump Gasket			

Case IH

David Brown

Deutz

Fendt

Fiatagri

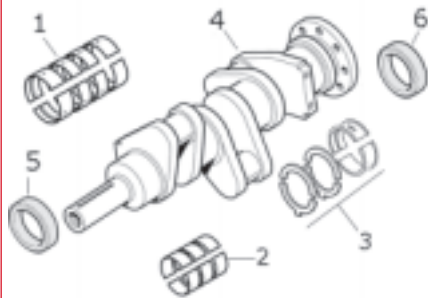
Ford

John Deere

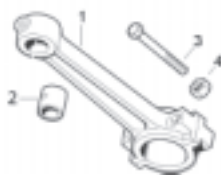
M F

Renault

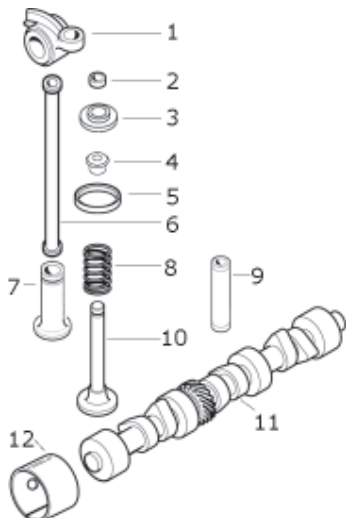
Zetor



1 Main Bearings (1 set)	Standard	3637020M91	S.42478
	0,010"	3637021M91	S.42479
	0,020"	3637022M91	S.42480
2 Conrod Bearings (1 set)	0,030"	3637023M91	S.42481
	Standard	3637024M91	S.30034
	0,010"	3637025M91	S.30035
3 Thrust Washers (1 set)	0,020"	3637026M91	S.30036
	0,030"	3637027M91	S.30037
	Standard	747128M1	S.40345
4 Crankshaft		3637019M91	S.30032
5 Front Oil Seal		1447690M1	S.40351
6 Rear Oil Seal		1447691M1	S.40356



1 Conrod >F044009		3637028M91	S.30028
	Conrod <F044009	3638768M91	S.30033
2 Small End Bush		744971M1	S.42247
3 Conrod Bolt and Nut		3637029/30	S.40363
4 Conrod Nut		3637030M1	S.41329



1 Rocker Arm (LH)		4223076M91	S.30017
	Rocker Arm (RH)	4223075M91	S.30018
2 Collet		736453M1	S.41413
	Top Retainer		
Bottom Retainer			
4 Valve Stem Seal		3637041M1	S.41325
5 Valve Insert / Seal			
6 Push Rod		733817M1	S.30019
7 Tappet/Cam Follow er		740671M1	S.41918
8 Inner Valve Spring		740465M1	S.30014
	Outer Valve Spring	740467M1	S.30015
9 Inlet Valve Guide		4223073M1	S.40496
	Exhaust Valve Guide	748420M1	S.41539
10 Inlet Valve		3637042M1	S.30029
	Exhaust Valve	3640597M1	S.42439
11 Camshaft		748309M1	S.41745
		3641738M1	S.30031
12 Camshaft Bush			



13 Oil Pump		3641171M91	S.42435
14 Fuel Pump		4222105M91	S.40565
15 Water Pump		4223109M91	S.42316



S.40306



Cylinder Head					
Pos	Description	Engine	Remarks	Replaces	Sparex
Cylinder Head complete with Valves		A3.152		ZZ80058	S.40303
		AD3.152		ZZ80082	S.40304
		AD4.203		ZZ80033	S.40305
		A4.212 A4.236 A4.248		ZZ80072	S.40306
		A6.354 A6.354.4		ZZ80071	S.42323
		A4.192 A4.203		ZZ80089	S.42496

S.40508



Balancer Unit					
Pos	Description	Engine	Remarks	Replaces	Sparex
Balancer		A4.236 AT4.236 A4.248	4 Hole	746432M91	S.40508
		A4.236 AT4.236 A4.248 1004	6 Hole	3637352M91	S.40512



Spare Parts for Crankshafts and Camshafts					
Pos	Description	Engine	Remarks	Replaces	Sparex
1	Crankshaft Gears	85mm, 87mm Petrol	Bottom	825136M1	S.42419
			Middle	825135M1	S.42418
		A3.144 A3.152 AD3.152	Bottom	3641826M1	S.40353
			Middle	731205M1	S.40523
		A4.192 A4.203 AD4.203	Middle	731203M1	S.40520
			Bottom	731797M91	S.40525
		A4.212 A4.236 AT4.236 A4.248	Middle	731034M1	S.40524
			Bottom	734749M1	S.41851
		A4.212 A4.236 AT4.236 A4.248	Middle	734738M91	S.40526
2	Crankshaft Pulley	A3.144 A3.152 AD3.152		734627M1	S.41879
		A4.236 AT4.236 A4.248		3638098M1	S.41855
3	Oil Pump Gear	A3.144 A3.152 AD3.152		73355M92	S.42125
4	Camshaft Gear	A4.192 A4.203 AD4.203		731028M1	S.40521
		A4.212 A4.236 AT4.236 A4.248 A6.354.A6.354.1/4		736254M1	S.40522

Case IH

David Brown

Deutz

Fendt

Fiatagri

Ford

John Deere

M F

Renault

Zetor



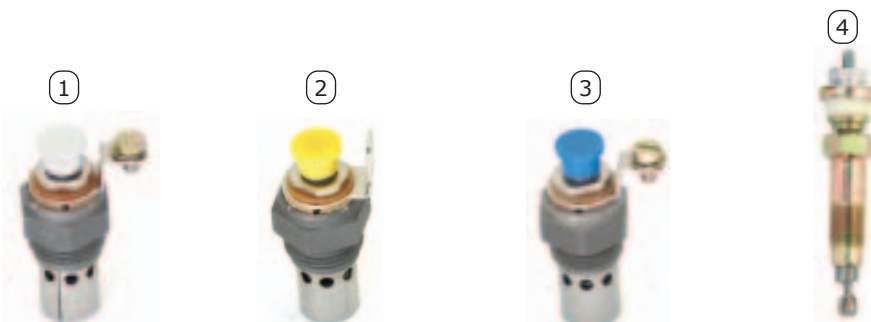
Case IH

Starter Ring Gears

Engine	Replaces	Sparex
Standard 85 Standard 87	825452M1	S.42422
A3.144 A3.152 AD3.152 A4.192 A4.203 AD4.203 A4.212 A4.236 AT4.236 A4.248	731008M1	S.40364
A4.318 A6.354 AT6.354	731988M1	S.41449

David Brown

Deutz



Fendt

Heater Plugs

Pos	Engine	Remarks	Replaces	Sparex
1	A3.152 AD3.152 A4.192 A4.203 AD4.203 A4.212 A6.354.4	Screw Fittings	893501M91	S.40626
2	A4.107 AD3.152 A4.248 A4.236 AT4.236 A4.318 A6.354.4	Sleeve Fittings	1446935M1	S.40627
3	23C Diesel		1446176M91	S.41322
4	23C Diesel		829162M1	S.61336

Fiatagri

Ford



John Deere

Spark Plug

Remarks	Replaces	Sparex
Petrol 85mm,87mm		S.42484

Core Plugs

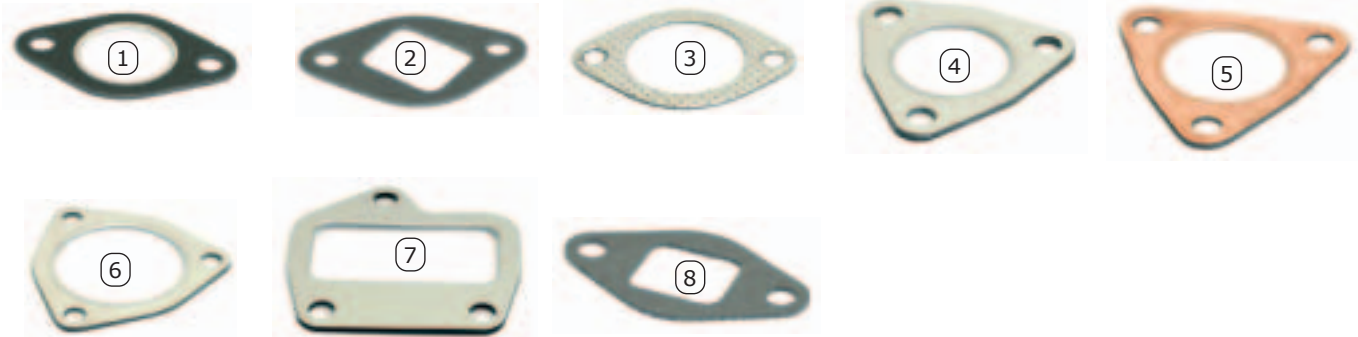
Sizes	Sparex
22,27 mm	S.8444
32,18 mm	S.8449
32,18 mm Stainless Steel	S.12874
35,36 mm	S.8451
35,36 mm Stainless Steel	S.14535
38,48 mm	S.8450
38,53 mm	S.8446
38,53 mm Stainless Steel	S.14458

M F

Renault

Zetor





Case IH

David Brown

Deutz

Fendt

Fiatagri

Ford

John Deere

M F

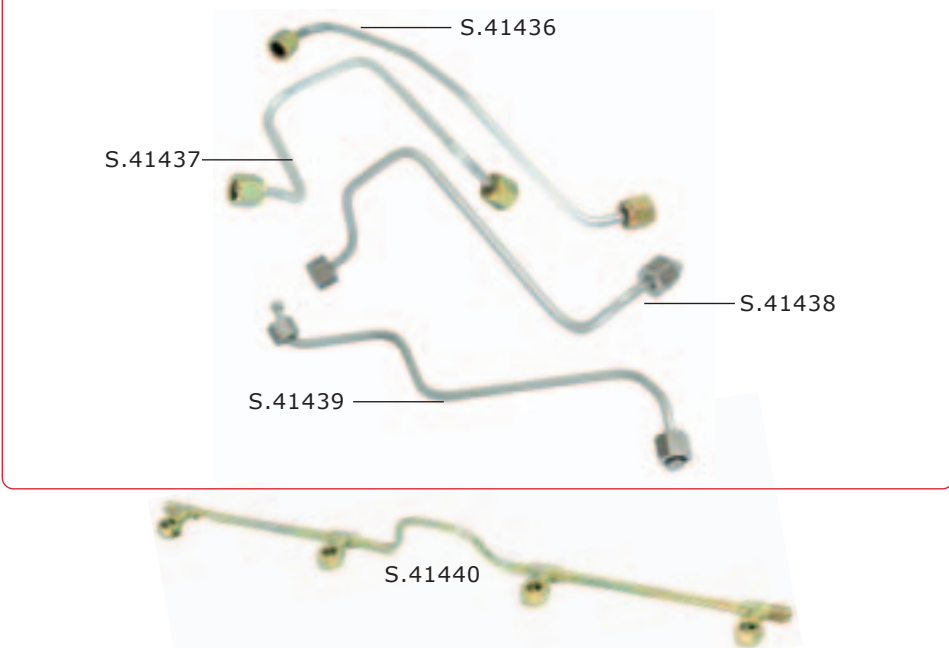
Renault

Zetor

Exhaust and Thermostat Gaskets

Pos	Engine	Description	Remarks	Replaces	Sparex
1	A3.144,A3.152	Exhaust Gasket		731268M1	S.41348
2	A3.152,AD3.152	Exhaust Gasket		735016M1	S.41350
3	Petrol 80, 85, 87mm,Diesel 20,23C	Exhaust Gasket		825003M1	S.40644
4	A4.192,A4.203,AD4.203	Exhaust Gasket		827877M1	S.40645
5	A4.212,A4.236,A4.248	Exhaust Gasket	180° Manifold	897938M1	S.40646
6	A4.212,A4.236,A4.248	Exhaust Gasket	90° Manifold	194742M1	S.40647
7	A4.236,A4.248	Exhaust Gasket		1876671M2	S.42646
8	AD4.203	Exhaust Gasket		782814M1	S.42686
9	A3.152 AD3.152	Thermostat Gasket			S.41347
10	A3.152,AD3.152	Thermostat Housing Gasket		3637530M1	S.42211

Injector Pipes (Engine A4.212 | A4.236 | A4.248)



Injector Pipes			
Engine	Remarks	Replaces	Sparex
AD3.152	Pipe (1)	3638623M91	S.41510
	Pipe (2)	3638624M91	S.41511
	Pipe (3)	3638625M91	S.41512
	Oil overflow	735010M91	S.41513
A4.212 A4.236 A4.248	Pipe (1)	3641094M91	S.41436
	Pipe (2)	3641262M91	S.41437
	Pipe (3)	3641095M91	S.41438
	Pipe (4)	3641156M91	S.41439
	Oil overflow	734723M91	S.41440

These parts are Sparex parts and are not manufactured by the Original Equipment Manufacturer. Original names, part numbers and descriptions are quoted for reference purposes only and are not intended to indicate or suggest that our replacement parts are made by the OEM.



Engine parts for Renault Tractors are listed either in the John Deere or MWM (Fendt) sections. The following index shows the page number for the required engine and tractor model

Case IH

Tractor Model to Engine Index

Model	Remarks	Motor	Cyl	Page	Model	Remarks	Motor	Cyl.	Page
421		D325	3	74	120-54	TX, TZ	D226	6	66
421M		D325	3	74	130-12/14	TE-TA / TS TX	TD226	4	70
460S486		D325	3	74	133-54	TX, TZ	D226	6	66
456		D325	3	74	133-54	TX, TZ	D226	6	66
498		D325	6	74	145-14	TX, TZ	D226	6	66
651-4		D325	6	74	155-54	TX, TZ	TD226B	6	68
800 bis 804		D226	4	66	R53		D325	2	74
50-12		FL912	3	42	R56		D325	2	74
50S/460S		D325	3	74	R94		D325	4	74
55-12		FL912	3	42	R462		D327	3	75
56R7251		D325	3	74	R781		D226	4	66
56-R7251		D325	3	74	R851		TD226	4	70
58-32/34	MX	D226	3	66	R1151.4		TD226	6	70
60		D325	3	74	R1181.4		TD226	6	70
61-12/14	LS	D226	3	66	R1451.4		TD226	6	70
65-12/14	LS, MA, ME, MS, MX	D226	3	66	R7050Super 6D		D322	2	73
65-32/34	MX	D226	3	66	R7052Super 6D		D322	2	73
65-34	RA, RS, SP, PA, PE, PS	D226	4	66	R751.4		D226	4	66
68-12/14	MA, ME, MS, MX, TX,	D227	4	71	R751S.4S		D226	4	66
70		D325	3	74	R7621		D226	4	66
7012/14		FL912	4	42	R7622		D226	4	66
70-12Bis		D226	4	66	R7641		D227	6	71
75-12/14		D226	4	66	R7644		D227	6	71
75-32/34	MX	D226	4	66	R7661		TD226	4	70
77-12/14		D226	4	66	R7664		TD226	4	70
80		D325	3	74	ARES 550RX/RZ		DSP4045TRT	4	154
80-12/14	TX	D226	4	66	ARES 610RX/RZ		DSP6059DRT	6	161
850 / 854		D226	4	66	ARES 620RX/RZ		DSP6068DRT	6	161
85-12/14		D226	4	66	ARES 630RX/RZ		DPS6068TRT	6	163
85-34	MX, TX	D226	4	66	ARES 640RZ		DPS6068TRT	6	163
86		D325	3	74	ARES 710RZ		DPS6068DRT50	6	
90-34	MX, TX	D226	4	66	ARES 725RZ		DPS6068HRT51	6	
95-12 /14	TX	D226	4	66	ARES 735RZ		DPS6068HRT52	6	
98		D325	3	74	ARES 815RZ		DSP6068TRT52	6	
103-14	TX	TD226		70	ARES 825RZ		DPS6068HRT51	6	
103-54	TX TURBO	TD226	4	70	ATLES 915RZ		BFM1013	6	50
103-54	TX	TD226	4	70	ATLES 925RZ		BFM1013	6	50
106-14		D227	6	71	ATLES 935RZ		BFM1013	6	50
110-14	RE, TS, TX, TE, TS	D226	6	66	CERES 320A		DPS4039DRT/4	4	153
110-54	TS	D226	6	66	CERES 330A		DSP4045DRT/4	4	154
113-12/14	RE, TS, TX, TE, TS	D226	6	66	CERGOS 330A		DSP4045DRT/4	4	154
113-14	TX	D227	6	71	CERGOS 350A		DSP4045TRT/4	4	154

Zetor



Case IH

David Brown

Deutz

Fendt

Fiatagri

Ford

John Deere

M F

Renault

Zetor





Case IH

David Brown

Deutz

Fendt

Fiatagri

Ford

John Deere

M F

Renault

Zetor

Tractor Model to Engine Index

Model	Engine	Cyl	Page	Model	Engine	Cyl	Page	Model	Engine	Cyl	Page
2011	Z2001	2	215	5911	Z5901	4	222	9211	Z8002-1334	4	232
2511	Z2001	2	215	5945	Z5901	4	222	9245	Z8002-1334	4	232
3011	Z3001	3	216	6011	Z6001	4	223	10011	Z8002-1	4	231
3045	Z3001	3	216	6045	Z6001	4	223	10045	Z8002-1	4	231
3320	Z5201	3	220	6211	Z6201	4	224	10111	Z8002-1	4	231
3321	Z5202	4		6211	Z7201	4	228	10111	Z8002-134	4	233
3340	Z5201	3	220	6245	Z7201	4	228	10145	Z8002-1	4	231
3341	Z5202	4		6320	Z7701/7703	4	229	10145	Z8002-134	4	232
3511	Z3001	3	216	6321	Z7702/7703	4		10211	Z8002-1234	4	233
3513	Z3001	3	216	6340	Z7701/7703	4	229	10245	Z8002-1234	4	233
3545	Z3001	3	216	6341	Z7702/7703	4		11211	Z8701-13	6	236
4011	Z4001	4	217	6711	Z6701	4	225	11245	Z8701-13	6	236
4320	Z6201/6203	4	224	6718	Z6701	4	225	12011	Z8601	6	235
4321	Z6202	4		6745	Z6701	4	225	12045	Z8601	6	235
4340	Z6201/6203	4	224	6748	Z6701	4	225	12111	Z8701-1	6	236
4341	Z6202	4		6911	Z6901	4	226	12211	Z8701-12	6	236
4511	Z4001	4	217	6945	Z6901	4	226	12145	Z8701-1	6	236
4611	Z4001	4	217	7011	Z7001	4	227	12145	Z8701-12	6	236
4712	Z4701	3	218	7045	Z7001	4	227	12245	Z8701-12	6	236
4718	Z4701	3	218	7211	Z7201	4	228	14145	Z8602-11	6	236
4911	Z4901	3	219	7245	Z7201	4	228	14245	Z8602-13	6	236
5011	Z5001	3	219	7320	Z7301T	4	229	16145	Z8002-1134	6	236
5045	Z5001	3	219	7321	Z7302T/7303T	4	229	16245	Z8602.12	6	236
5211	Z5201	3	220	7340	Z7301T	4	229	7520	7801	4	
5245	Z5201	3	220	7341	Z7302T/7303T	4	229	7540	7801	4	
5320	Z7201	4	228	7711	Z7701/7301T	4	229	8520T	1021 Turbo	4	
5321	Z7202/7203	4		7745	Z7701/7301T	4	229	8540T	1021 Turbo	4	
5340	Z7201	4	228	8011	Z8001	4	230	8621	1021 Turbo	4	
5341	Z7202/7203	4		8045	Z8001	4	230	8641	1021 Turbo	4	
5511	Z5501	4	221	8111	Z8401-1	4	234	9520	1001 Turbo	4	
5516	Z5501	4	221	8111	Z8401-134	4	234	9520T	1001 Turbo	4	
5545	Z5501	4	221	8145	Z8401-1	4	234	9540	1001 Turbo	4	
5611	Z5501	4	221	8145	Z8401-134	4	234	9540T	1001 Turbo	4	
5645	Z5501	4	221	8211	Z8401-1234	4	234	9621	1001 Turbo	4	
5647	Z5501	4	221	8245	Z8401-1234	4	234	9641	1001 Turbo	4	
5711	Z5501	4	221	9111	Z8002-11	4	232	10520T	1301 Turbo	4	
5718	Z5501	4	221	9111	Z8002-1134	4	232	10540T	1301 Turbo	4	
5745	Z5501	4	221	9145	Z8002-11	4	232	10641	1301 Turbo	4	
5748	Z5501	4	221	9145	Z8002-1134	4	232	11641	1000-6W	6	



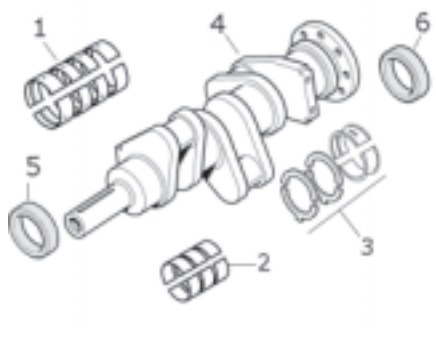
Zetor

Engine	Liner mm			Piston mm			Additional information
	Cyl.	Bore	Height	Pin	Height	Rings	
Z2001	2	95,000	210,41	35	113,95	5	

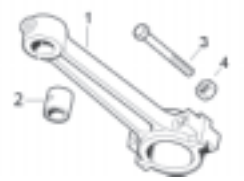
Model: 2011, 2511



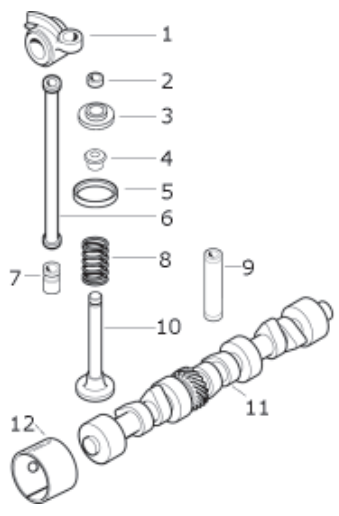
Description	Remarks	Replaces	Sparex
1 Piston and Liner Set (per Cyl.)	95 mm	55110018	S.64377
2 Liner		950116	S.64354
3 Piston		55010305	S.64241
4 Ring Set			S.64209
5 Liner Seal		67010125	S.64004
6 Top Gasket Set (per Cyl.)	1,2 mm		S.71288
7 Bottom Gasket Set			
8 Rocker Cover Gasket		55010502	S.64494
9 Head Gasket	1,2 mm	55010516	S.71285
10 Sump Gasket		30010203	S.64496



1	Standard		S.64224
+ Main Bearings (1 set)	0,25mm		S.68548
3	0,50mm		S.68549
2 Conrod Bearings (1 pair)	Standard	55010304	S.64001
	0,25mm	55010399	S.64485
	0,50mm	55010398	S.64487
3 Thrust Washers (1 set)			
4 Crankshaft			
5 Front Oil Seal			
6 Rear Oil Seal			



1 Conrod	69010389	S.64465
2 Small End Bush	950311	S.64466
3 Conrod Bolt		
4 Conrod Nut		



1	Rocker Arm (Intake)		
	Rocker Arm (Exhaust)		
2	Collet	80005903	S.68584
3	Valve Retainer		
4	Valve Stem Seal		
5	Inlet Valve Insert		
	Exhaust Valve Insert		
6	Push Rod	950406	S.64498
7	Tappet/Cam Follow er	950405	S.68599
8	Inner Valve Spring	950507	S.64482
	Outer Valve Spring	950508	S.64483
9	Inlet Valve Guide	950504	S.64476
	Exhaust Valve Guide	69010567	S.64477
10	Inlet Valve	950505	S.64472
	Exhaust Valve	950506	S.64475
11	Camshaft		
12	Camshaft Bush		



13	Oil Pump		
14	Fuel Pump	933201	S.64512
15	Water Pump	62010615	S.64219

Sparex

Case IH

David Brown

Deutz

Fendt

Fiatagri

Ford

John Deere

M F

Renault

Zetor

These parts are Sparex parts and are not manufactured by the Original Equipment Manufacturer. Original names, part numbers and descriptions are quoted for reference purposes only and are not intended to indicate or suggest that our replacement parts are made by the OEM.

Zetor	Engine	Liner mm			Piston mm			Additional information
	Z3001	Cyl.	Bore	Height	Pin	Height	Rings	
		3	95,000	210,41	35	113,95	5	



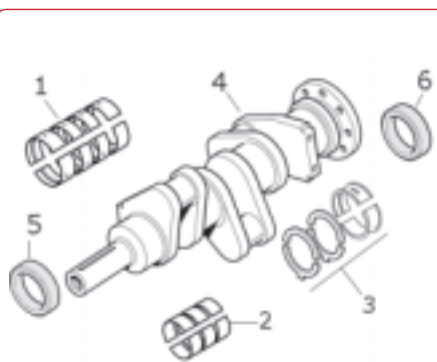
Description	Remarks	Replaces	Sparex
1 Piston and Liner Set (per Cyl.)	95 mm	55110018	S.64377
2 Liner		950116	S.64354
3 Piston		55010305	S.64241
4 Ring Set			S.64209
5 Liner Seal		67010125	S.64004



6 Top Gasket Set (per Cyl.)	1,2 mm		S.71288
7 Bottom Gasket Set			
8 Rocker Cover Gasket		55010502	S.64494
9 Head Gasket	1,2 mm	55010516	S.71285
10 Sump Gasket		30010203	S.64496

Case IH

David Brown



1	Standard	50010093	S.64225
+ Main Bearings (1 set)	0,25mm		S.68550
3	0,50mm		S.68551
2 Conrod Bearings (1 pair)	Standard	55010304	S.64001
	0,25mm	55010399	S.64485
	0,50mm	55010398	S.64487
3 Thrust Washers (1 set)			
4 Crankshaft	3 Cylinder	30010399	S.68586
5 Front Oil Seal			
6 Rear Oil Seal			

Deutz

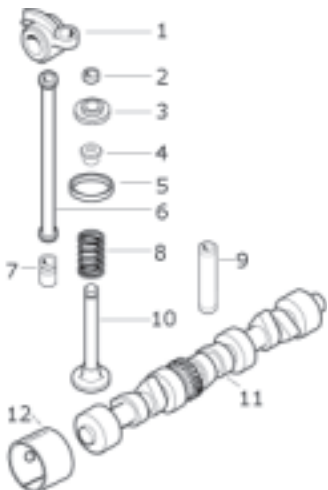
Fendt

Fiatagri



1 Conrod		69010389	S.64465
2 Small End Bush		950311	S.64466
3 Conrod Bolt			
4 Conrod Nut			

Ford



1	Rocker Arm (Intake) Rocker Arm (Exhaust)		
2 Collet		80005903	S.68584
3 Valve Retainer			
4 Valve Stem Seal			
5	Inlet Valve Insert Exhaust Valve Insert		
6 Push Rod		950406	S.64498
7 Tappet/Cam Follow er		950405	S.68599
8	Inner Valve Spring Outer Valve Spring	950507	S.64482
9	Inlet Valve Guide Exhaust Valve Guide	950508	S.64483
		950504	S.64476
		69010567	S.64477
10	Inlet Valve Exhaust Valve	950505	S.64472
		950506	S.64475
11 Camshaft			
12 Camshaft Bush			

John Deere

M F

Renault



13 Oil Pump			
14 Fuel Pump		933201	S.64512
15 Water Pump		62010615	S.64219

Zetor

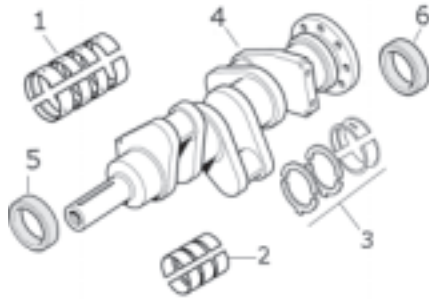
Zetor

Engine	Liner mm			Piston mm			Additional information
	Cyl.	Bore	Height	Pin	Height	Rings	
Z4001	4	95,000	210,41	35	113,95	5	

Model: 4011, 4511, 4611



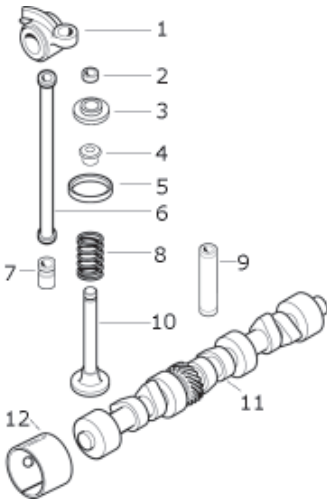
Description	Remarks	Replaces	Sparex
1 Piston and Liner Set (per Cyl.)	95 mm	55110018	S.64377
2 Liner		950116	S.64354
3 Piston		55010305	S.64241
4 Ring Set	5 Rings		S.64209
5 Liner Seal		67010125	S.64004
6 Top Gasket Set (per Cyl.)	1,2 mm		S.71288
7 Bottom Gasket Set			
8 Rocker Cover Gasket		55010502	S.64494
9 Head Gasket	1,2 mm	55010516	S.71285
10 Sump Gasket		72010208	S.64107



1	Standard	60010093	S.64226
+ Main Bearings (1 set)	0,25mm		S.68552
3	0,50mm		S.68553
2 Conrod Bearings (1 pair)	Standard	55010304	S.64001
	0,25mm	55010399	S.64485
	0,50mm	55010398	S.64487
3 Thrust Washers (1 set)			
4 Crankshaft	4 Cylinder	72010399	S.68587
5 Front Oil Seal			
6 Rear Oil Seal			



1 Conrod	69010389	S.64465
2 Small End Bush	950311	S.64466
3 Conrod Bolt		
4 Conrod Nut		



1	Rocker Arm (Intake) Rocker Arm (Exhaust)		
2 Collet		80005903	S.64256
3 Valve Retainer			
4 Valve Stem Seal			
5 Inlet Valve Insert Exhaust Valve Insert			
6 Push Rod	950406	S.64498	
7 Tappet/Cam Follow er	950405	S.68599	
8 Inner Valve Spring Outer Valve Spring	950507 950508	S.64482 S.64483	
9 Inlet/Exhaust Valve Guide	69010567	S.64477	
10 Inlet Valve Exhaust Valve	950505 950506	S.64472 S.64475	
11 Camshaft	55010419	S.68676	
12 Camshaft Bush			



13 Oil Pump	40010797	S.64502
14 Fuel Pump	933201	S.64512
15 Water Pump (4511 only)	62010615	S.64219

Sparex

Case IH

David Brown

Deutz

Fendt

Fiatagri

Ford

John Deere

M F

Renault

Zetor

Zetor	Engine	Liner mm			Piston mm			Additional information
	Z4701	Cyl.	Bore	Height	Pin	Height	Rings	
		3	99,999	225,47	35	116,38	4	

Model: 4712, 4718

Case IH

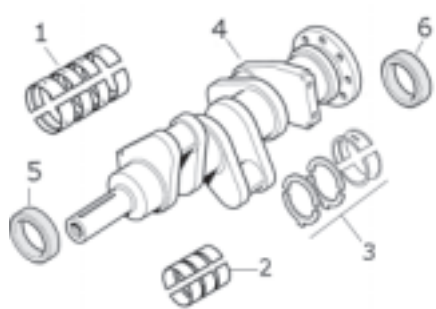
David Brown



Description	Remarks	Replaces	Sparex
1 Piston and Liner Set (per Cyl.)	100 mm	60110099	S.64378
2 Liner		59010156	S.64242
3 Piston		69010382	S.64308
4 Ring Set		60110096	S.64212
5 Liner Seal			
6 Top Gasket Set (per Cyl.)	1,2 mm		S.68780
7 Bottom Gasket Set			
8 Rocker Cover Gasket		55010502	S.64494
9 Head Gasket	1,2 mm	71010571	S.71283
	1,5 mm	71010572	S.71284
10 Sump Gasket		49040264	S.64292

Deutz

Fendt



1	Standard	50010093	S.64225
+ Main Bearings (1 set)	0,25mm		S.68550
3	0,50mm		S.68551
2 Conrod Bearings (1 pair)	Standard	55010304	S.64001
	0,25mm	55010399	S.64485
	0,50mm	55010398	S.64487
3 Thrust Washers (1 set)			
4 Crankshaft	3 Cylinder	30010399	S.68586
5 Front Oil Seal		974234	S.50380
6 Rear Oil Seal		79010282	S.64138

Fiatagri

Ford

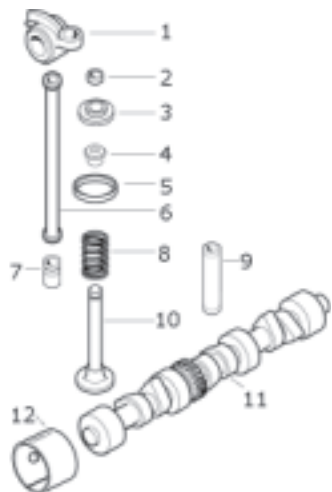


1 Conrod		69010389	S.64465
2 Small End Bush		950311	S.64466
3 Conrod Bolt			
4 Conrod Nut			

John Deere

M F

Renault



1	Rocker Arm (Intake)		
	Rocker Arm (Exhaust)		
2	Collet	80005903	S.64256
3	Valve Retainer		
4	Valve Stem Seal		
5	Inlet Valve Insert		
	Exhaust Valve Insert		
6	Push Rod	950406	S.64498
7	Tappet/Cam Follow er	950405	S.68599
8	Inner Valve Spring	950507	S.64482
	Outer Valve Spring	950508	S.64483
9	Inlet Valve Guide	950504	S.64476
	Exhaust Valve Guide	69010567	S.64477
10	Inlet Valve	950505	S.64472
	Exhaust Valve	950506	S.64475
11	Camshaft		
12	Camshaft Bush		

Zetor



13	Oil Pump	40010797	S.64502
14	Fuel Pump	933201	S.64512
15	Water Pump	62010615	S.64219

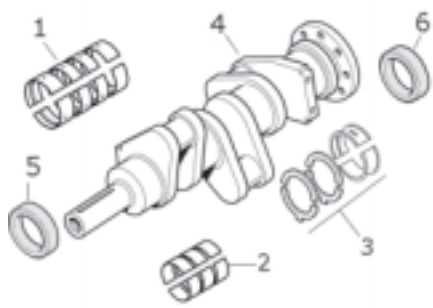
Zetor

Engine	Liner mm			Piston mm			Additional information
	Cyl.	Bore	Height	Pin	Height	Rings	
Z4901 / Z5001	3	101,960	225,78	35	116,5	4	

Model: 4911, 5011, 5045



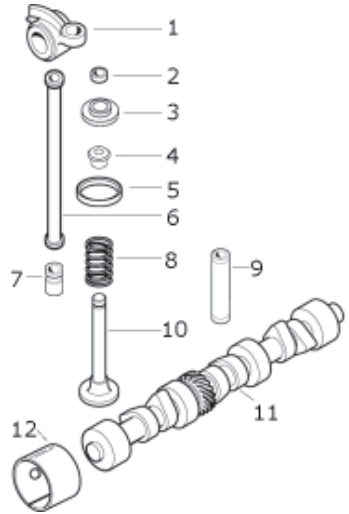
Description	Remarks	Replaces	Sparex
1 Piston and Liner Set (per Cyl.)	102 mm	69110099	S.64318
2 Liner		69010168	S.64359
3 Piston		69010374	S.68534
4 Ring Set	4 Rings	50110096	S.64039
5 Liner Seal			
6 Top Gasket Set (per Cyl.)	1,2 mm		S.68780
7 Bottom Gasket Set			
8 Rocker Cover Gasket		55010502	S.64494
9 Head Gasket	1,2 mm	71010571	S.71283
	1,5 mm	71010572	S.71284
10 Sump Gasket		49040264	S.64292



1	Standard	50010093	S.64225
+ Main Bearings (1 set)	0,25mm		S.68550
3	0,50mm		S.68551
2 Conrod Bearings (1 pair)	Standard	55010304	S.64001
	0,25mm	55010399	S.64485
	0,50mm	55010398	S.64487
3 Thrust Washers (1 set)			
4 Crankshaft	3 Cylinder	30010399	S.68586
5 Front Oil Seal		974240	S.64081
6 Rear Oil Seal			



1 Conrod	69010389	S.64465
2 Small End Bush	950311	S.64466
3 Conrod Bolt		
4 Conrod Nut		



1	Rocker Arm (Intake)		
	Rocker Arm (Exhaust)		
2 Collet	80005903	S.64256	
3 Valve Retainer			
4 Valve Stem Seal			
5	Inlet Valve Insert		
	Exhaust Valve Insert		
6 Push Rod	950406	S.64498	
7 Tappet/Cam Follow er	950405	S.68599	
8	Inner Valve Spring	950507	S.64482
	Outer Valve Spring	950508	S.64483
9 Inlet/Exhaust Valve Guide	69010567	S.64477	
10	Inlet Valve	6901555	S.64105
	Exhaust Valve	950506	S.64104
11 Camshaft			
12 Camshaft Bush			



13 Oil Pump	40010797	S.64502
14 Fuel Pump	933201	S.64512
15 Water Pump (5011, 5045 only)	62010615	S.64219

Sparex

Case IH

David Brown

Deutz

Fendt

Fiatagri

Ford

John Deere

M F

Renault

Zetor

These parts are Sparex parts and are not manufactured by the Original Equipment Manufacturer. Original names, part numbers and descriptions are quoted for reference purposes only and are not intended to indicate or suggest that our replacement parts are made by the OEM.

Zetor

Engine	Liner mm			Piston mm			Additional information
	Cyl.	Bore	Height	Pin	Height	Rings	
Z5201	3	101,960	225,78	35	116,5	3 4	
Model: 3320, 3340, 5211, 5245							

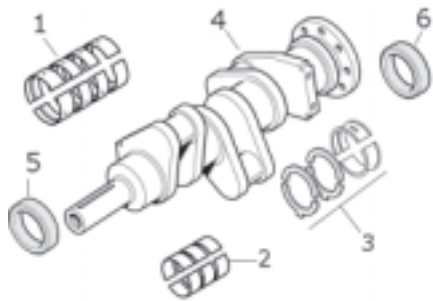


Description	Remarks	Replaces	Sparex
1 Piston and Liner Set (per Cyl.)	102 mm	52110099	S.64348
2 Liner		69010168	S.64359
3 Piston		72010303	S.64247
4 Ring Set	3 Rings	52110096	S.64216
5 Liner Seal		950117	S.64467
1 Piston and Liner Set (per Cyl.)	102 mm	69110099	S.64318
2 Liner		69010168	S.64359
3 Piston		69010374	S.68534
4 Ring Set	4 Rings	50110096	S.64039
5 Liner Seal			
6 Top Gasket Set			
7 Bottom Gasket Set			
8 Rocker Cover Gasket		55010502	S.64494
9 Head Gasket	1,2 mm	71010571	S.71283
	1,5 mm	71010572	S.71284
10 Sump Gasket		49040264	S.64292

Case IH

David Brown

Deutz



1	Standard	50010093	S.64225
+ Main Bearings (1 set)	0,25mm		S.68550
3	0,50mm		S.68551
2 Conrod Bearings (1 pair)	Standard	55010304	S.64001
	0,25mm	55010399	S.64485
	0,50mm	55010398	S.64487
3 Thrust Washers (1 set)			
4 Crankshaft	3 Cylinder	30010399	S.68586
5 Front Oil Seal		974240	S.64081
6 Rear Oil Seal			

Fendt

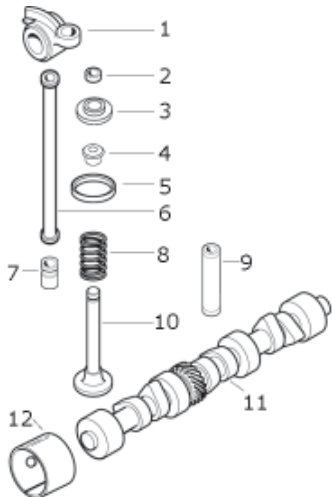
Fiatagri



1 Conrod	6211,6245	69010389	S.64465
2 Small End Bush		950311	S.64466
3 Conrod Bolt			
4 Conrod Nut			

Ford

John Deere



1	Rocker Arm (Intake) Rocker Arm (Exhaust)		
2 Collet		80005903	S.64256
3 Valve Retainer			
4 Valve Stem Seal			
5	Inlet Valve Insert Exhaust Valve Insert		
6 Push Rod		950406	S.64498
7 Tappet/Cam Follow er		950405	S.68599
8	Inner Valve Spring Outer Valve Spring	950507	S.64482
		950508	S.64483
9 Inlet/Exhaust Valve Guide		69010567	S.64477
10	Inlet Valve Exhaust Valve	6901555	S.64105
		950506	S.64104
11 Camshaft		49040411	S.68675
12 Camshaft Bush			

M F

Renault

Zetor



13 Oil Pump			
14 Fuel Pump		93009701	S.64156
15 Water Pump		62010615	S.64219

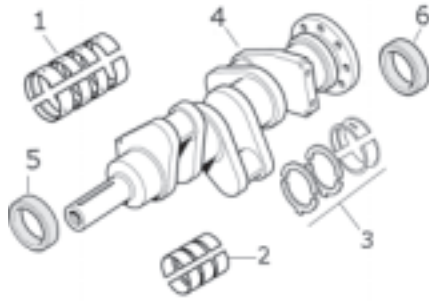
Zetor

Engine	Liner mm			Piston mm			Additional information
	Cyl.	Bore	Height	Pin	Height	Rings	
Z5501	4	95,000	210,41	35	113,95	5	

Model: 5511, 5516, 5545, 5611, 5645, 5647, 5711, 5718, 5745, 5748



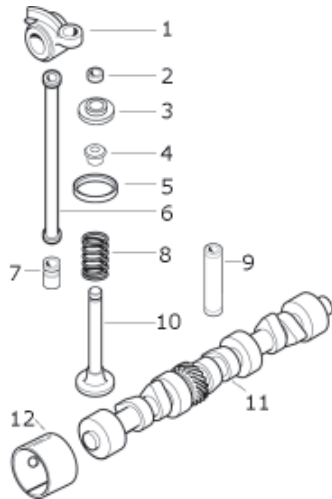
Description	Remarks	Replaces	Sparex
1 Piston and Liner Set (per Cyl.)	95 mm	55110018	S.64377
2 Liner		950116	S.64354
3 Piston		55010305	S.64241
4 Ring Set	5 Rings		S.64209
5 Liner Seal			
6 Top Gasket Set (per Cyl.)	1,2 mm		S.71288
7 Bottom Gasket Set			
8 Rocker Cover Gasket		55010502	S.64494
9 Head Gasket	1,2 mm	55010516	S.71285
10 Sump Gasket		72010208	S.64107



1	Standard	60010093	S.64226
+ Main Bearings (1 set)	0,25mm		S.68552
3	0,50mm		S.68553
2 Conrod Bearings (1 pair)	Standard	55010304	S.64001
	0,25mm	55010399	S.64485
	0,50mm	55010398	S.64487
3 Thrust Washers (1 set)			
4 Crankshaft	4 Cylinder	72010399	S.68587
5 Front Oil Seal		974240	S.64081
6 Rear Oil Seal		79010282	S.64138



1 Conrod	69010389	S.64465
2 Small End Bush	950311	S.64466
3 Conrod Bolt		
4 Conrod Nut		



1	Rocker Arm (Intake)		
	Rocker Arm (Exhaust)		
2 Collet	80005903	S.64256	
3 Valve Retainer			
4 Valve Stem Seal			
5	Inlet Valve Insert		
	Exhaust Valve Insert		
6 Push Rod	950406	S.64498	
7 Tappet/Cam Follow er	950405	S.68599	
8	Inner Valve Spring	950507	S.64482
	Outer Valve Spring	950508	S.64483
9 Inlet/Exhaust Valve Guide	69010567	S.64477	
10	Inlet Valve	950505	S.64472
	Exhaust Valve	950506	S.64475
11 Camshaft	55010419	S.68676	
12 Camshaft Bush			



13 Oil Pump	72010710	S.64503
14 Fuel Pump	933201	S.64512
15 Water Pump		

Sparex

Case IH

David Brown

Deutz

Fendt

Fiatagri

Ford

John Deere

M F

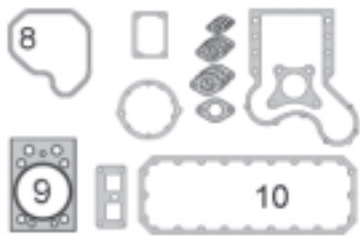
Renault

Zetor

Zetor	Engine	Liner mm			Piston mm			Additional information
	Z5901	Cyl.	Bore	Height	Pin	Height	Rings	
	Model: 5911, 5945	4	99,999	225,47	35	116,38	4	



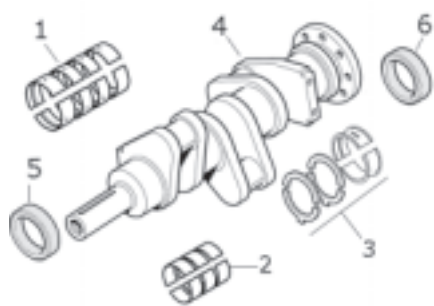
Description	Remarks	Replaces	Sparex
1 Piston and Liner Set (per Cyl.)	100 mm	60110099	S.64378
2 Liner		59010156	S.64242
3 Piston		69010382	S.64308
4 Ring Set	4 Rings	60110096	S.64212
5 Liner Seal		950117	S.64467
6 Top Gasket Set (per Cyl.)	1,2 mm		S.68780
7 Bottom Gasket Set			
8 Rocker Cover Gasket		55010502	S.64494
9 Head Gasket	1,2 mm	71010571	S.71283
	1,5 mm	71010572	S.71284
10 Sump Gasket		72010208	S.64107



Case IH

David Brown

Deutz



1	Standard	60010093	S.64226
+ Main Bearings (1 set)	0,25mm		S.68552
3	0,50mm		S.68553
2	Standard	55010304	S.64001
Conrod Bearings (1 pair)	0,25mm	55010399	S.64485
	0,50mm	55010398	S.64487
3			
Thrust Washers (1 set)			
4 Crankshaft	4 Cylinder	72010399	S.68587
5 Front Oil Seal		974240	S.64081
6 Rear Oil Seal		79010282	S.64138

Fendt

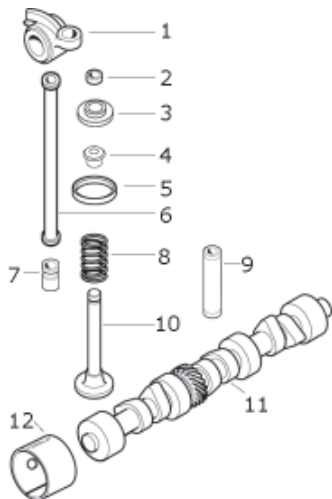
Fiatagri



1 Conrod		69010389	S.64465
2 Small End Bush		950311	S.64466
3 Conrod Bolt			
4 Conrod Nut			

Ford

John Deere



1	Rocker Arm (Intake)		
	Rocker Arm (Exhaust)		
2	Collet	80005903	S.64256
3	Valve Retainer		
4	Valve Stem Seal		
5	Inlet Valve Insert		
	Exhaust Valve Insert		
6	Push Rod	950406	S.64498
7	Tappet/Cam Follow er	950405	S.68599
8	Inner Valve Spring	950507	S.64482
	Outer Valve Spring	950508	S.64483
9	Inlet/Exhaust Valve Guide	69010567	S.64477
10	Inlet Valve	6901555	S.64105
	Exhaust Valve	950506	S.64104
11	Camshaft	55010419	S.68676
12	Camshaft Bush		

M F

Renault



13	Oil Pump	72010710	S.64503
14	Fuel Pump	933201	S.64512
15	Water Pump		

Zetor

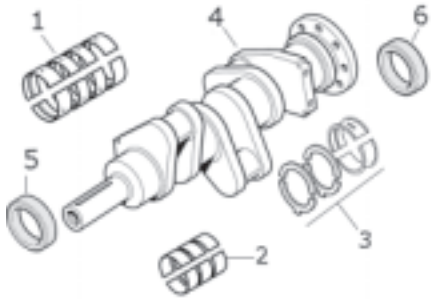
Zetor

Engine	Liner mm			Piston mm			Additional information
	Cyl.	Bore	Height	Pin	Height	Rings	
Z6001	4	99,999	225,47	35	116,38	4	

Model: 6011, 6045



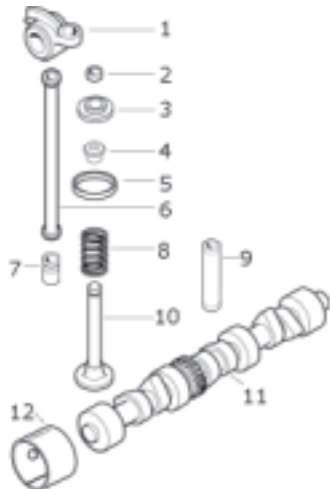
Description	Remarks	Replaces	Sparex
1 Piston and Liner Set (per Cyl.)	100 mm	60110099	S.64378
2 Liner		59010156	S.64242
3 Piston		69010382	S.64308
4 Ring Set	4 Rings	60110096	S.64212
5 Liner Seal		950117	S.64467
6 Top Gasket Set (per Cyl.)	1,2 mm		S.68780
7 Bottom Gasket Set			
8 Rocker Cover Gasket		55010502	S.64494
9 Head Gasket	1,2 mm	71010571	S.71283
	1,5 mm	71010572	S.71284
10 Sump Gasket		72010208	S.64107



1	Standard	60010093	S.64226
+ Main Bearings (1 set)	0,25mm		S.68552
3	0,50mm		S.68553
2 Conrod Bearings (1 pair)	Standard	55010304	S.64001
	0,25mm	55010399	S.64485
	0,50mm	55010398	S.64487
3 Thrust Washers (1 set)			
4 Crankshaft	4 Cylinder	72010399	S.68587
5 Front Oil Seal		974240	S.64081
6 Rear Oil Seal		79010282	S.64138



1 Conrod	69010389	S.64465
2 Small End Bush	950311	S.64466
3 Conrod Bolt		
4 Conrod Nut		



1	Rocker Arm (Intake)		
	Rocker Arm (Exhaust)		
2 Collet	80005903	S.64256	
3 Valve Retainer			
4 Valve Stem Seal			
5	Inlet Valve Insert		
	Exhaust Valve Insert		
6 Push Rod	950406	S.64498	
7 Tappet/Cam Follow er	950405	S.68599	
8	Inner Valve Spring	950507	S.64482
	Outer Valve Spring	950508	S.64483
9 Inlet/Exhaust Valve Guide	69010567	S.64477	
10	Inlet Valve	6901555	S.64105
	Exhaust Valve	950506	S.64104
11 Camshaft	55010419	S.68676	
12 Camshaft Bush			



13 Oil Pump	72010710	S.64503
14 Fuel Pump	933201	S.64512
15 Water Pump	62010615	S.64219

Sparex

Case IH

David Brown

Deutz

Fendt

Fiatagri

Ford

John Deere

M F

Renault

Zetor

Zetor	Engine	Liner mm			Piston mm			Additional information
	Z6201	Cyl.	Bore	Height	Pin	Height	Rings	
		4	99,999	225,47	35	116,38	4	
Model: 4320, 4340, 6211, 6245								

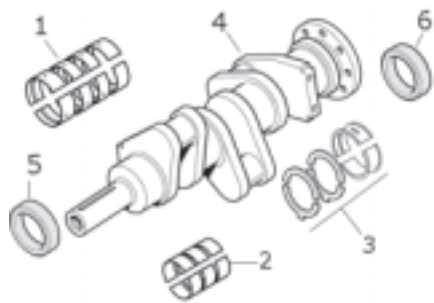


Description	Remarks	Replaces	Sparex
1 Piston and Liner Set (per Cyl.)	100 mm	62110099	S.68531
2 Liner		59010156	S.64242
3 Piston		62010303	S.64243
4 Ring Set	3 Rings	62110096	S.68535
5 Liner Seal		950117	S.64467
1 Piston and Liner Set (per Cyl.)	100 mm	60110099	S.64378
2 Liner		59010156	S.64242
3 Piston		69010382	S.64308
4 Ring Set	4 Rings	60110096	S.64212
5 Liner Seal		950117	S.64467
6 Top Gasket Set (per Cyl.)	1,2 mm		S.68780
7 Bottom Gasket Set			
8 Rocker Cover Gasket		55010502	S.64494
9 Head Gasket	1,2 mm	71010571	S.71283
	1,5 mm	71010572	S.71284
10 Sump Gasket		72010208	S.64107

Case IH

David Brown

Deutz



1	Standard	60010093	S.64226
+ Main Bearings (1 set)	0,25mm		S.68552
3	0,50mm		S.68553
2 Conrod Bearings (1 pair)	Standard	55010304	S.64001
	0,25mm	55010399	S.64485
	0,50mm	55010398	S.64487
3 Thrust Washers (1 set)			
4 Crankshaft	4 Cylinder	72010399	S.68587
5 Front Oil Seal		974240	S.64081
6 Rear Oil Seal		79010282	S.64138

Fendt

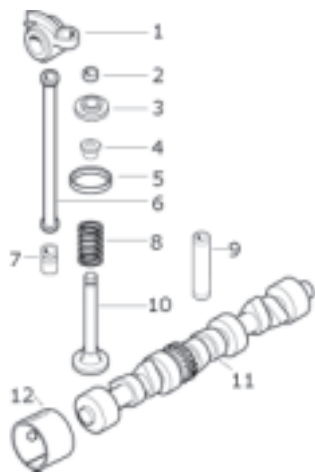
Fiatagri



1 Conrod	6211,6245	69010389	S.64465
2 Small End Bush		950311	S.64466
3 Conrod Bolt			
4 Conrod Nut			

Ford

John Deere



1	Rocker Arm (Intake) Rocker Arm (Exhaust)		
2 Collet		80005903	S.64256
3 Valve Retainer			
4 Valve Stem Seal			
5	Inlet Valve Insert Exhaust Valve Insert		
6 Push Rod		950406	S.64498
7 Tappet/Cam Follow er		950405	S.68599
8	Inner Valve Spring Outer Valve Spring	950507	S.64482
		950508	S.64483
9 Inlet/Exhaust Valve Guide		69010567	S.64477
10	Inlet Valve Exhaust Valve	6901555	S.64105
		950506	S.64104
11 Camshaft		55010419	S.68676
12 Camshaft Bush			

M F

Renault



13 Oil Pump			
14 Fuel Pump		93009701	S.64156
15 Water Pump			

Zetor

Zetor

Engine	Liner mm			Piston mm			Additional information
	Cyl.	Bore	Height	Pin	Height	Rings	
Z6701	4	99,999	225,47	35	116,38	4	

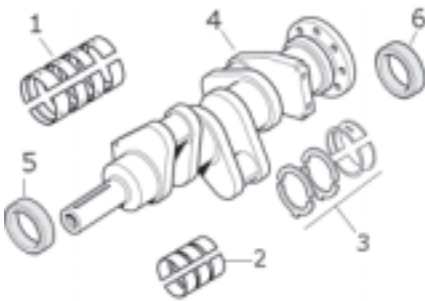
Model: 6711, 6718, 6745, 6748



Description	Remarks	Replaces	Sparex
1 Piston and Liner Set (per Cyl.)	100 mm	60110099	S.64378
2 Liner		59010156	S.64242
3 Piston		69010382	S.64308
4 Ring Set	4 Rings	60110096	S.64212
5 Liner Seal		950117	S.64467



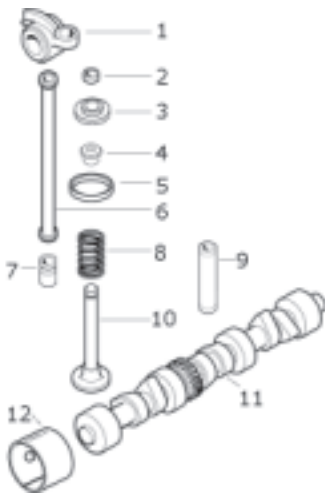
6 Top Gasket Set (per Cyl.)	1,2 mm		S.68780
7 Bottom Gasket Set			
8 Rocker Cover Gasket		55010502	S.64494
9 Head Gasket	1,2 mm	71010571	S.71283
10 Sump Gasket		72010208	S.64107



1	Standard	60010093	S.64226
+ Main Bearings (1 set)	0,25mm		S.68552
3	0,50mm		S.68553
2	Standard	55010304	S.64001
Conrod Bearings (1 pair)	0,25mm	55010399	S.64485
	0,50mm	55010398	S.64487
3 Thrust Washers (1 set)			
4 Crankshaft	4 Cylinder	72010399	S.68587
5 Front Oil Seal		974240	S.64081
6 Rear Oil Seal		79010282	S.64138



1 Conrod	69010389	S.64465
2 Small End Bush	950311	S.64466
3 Conrod Bolt		
4 Conrod Nut		



1	Rocker Arm (Intake) Rocker Arm (Exhaust)		
2 Collet		80005903	S.64256
3 Valve Retainer			
4 Valve Stem Seal			
5 Inlet Valve Insert			
Exhaust Valve Insert			
6 Push Rod		950406	S.64498
7 Tappet/Cam Follow er		950405	S.68599
8 Inner Valve Spring		950507	S.64482
Outer Valve Spring		950508	S.64483
9 Inlet/Exhaust Valve Guide		69010567	S.64477
10 Inlet Valve		6901555	S.64472
Exhaust Valve		950506	S.64475
11 Camshaft		55010419	S.68676
12 Camshaft Bush			



13 Oil Pump	72010710	S.64503
14 Fuel Pump	933201	S.64512
15 Water Pump	55010697	S.64218

Sparex

Case IH

David Brown

Deutz

Fendt

Fiatagri

Ford

John Deere

M F

Renault

Zetor

Zetor

Engine	Liner mm			Piston mm			Additional information
	Cyl.	Bore	Height	Pin	Height	Rings	
Z6901	4	101,960	225,78	35	116,5	4	
Model: 6911, 6945							

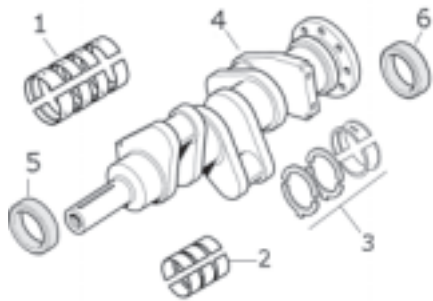


Description	Remarks	Replaces	Sparex
1 Piston and Liner Set (per Cyl.)	102 mm	52110099	S.64348
2 Liner		69010168	S.64359
3 Piston		72010303	S.64247
4 Ring Set	3 Rings	52110096	S.64216
5 Liner Seal		950117	S.64467
1 Piston and Liner Set (per Cyl.)	102 mm	69110099	S.64318
2 Liner		69010168	S.64359
3 Piston		69010374	S.68534
4 Ring Set	4 Rings	50110096	S.64039
5 Liner Seal		950117	S.64467
6 Top Gasket Set (per Cyl.)	1,2 mm		S.68780
7 Bottom Gasket Set			
8 Rocker Cover Gasket		55010502	S.64494
9 Head Gasket	1,2 mm	71010571	S.71283
	1,5 mm	71010572	S.71284
10 Sump Gasket		72010208	S.64107

Case IH

David Brown

Deutz



1	Standard	60010093	S.64226
+ Main Bearings (1 set)	0,25mm		S.68552
3	0,50mm		S.68553
2 Conrod Bearings (1 pair)	Standard	55010304	S.64001
	0,25mm	55010399	S.64485
	0,50mm	55010398	S.64487
3 Thrust Washers (1 set)			
4 Crankshaft	4 Cylinder	72010399	S.68587
5 Front Oil Seal		974240	S.64081
6 Rear Oil Seal		79010282	S.64138

Fendt

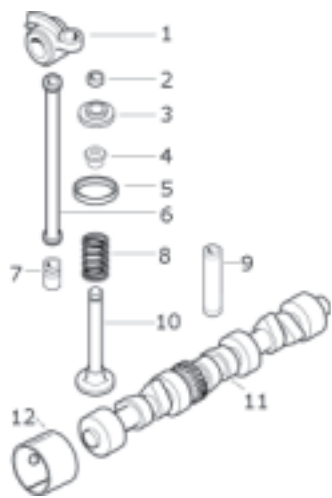
Fiatagri



1 Conrod		69010389	S.64465
2 Small End Bush		950311	S.64466
3 Conrod Bolt			
4 Conrod Nut			

Ford

John Deere



1	Rocker Arm (Intake) Rocker Arm (Exhaust)		
2 Collet		80005903	S.64256
3 Valve Retainer			
4 Valve Stem Seal			
5	Inlet Valve Insert Exhaust Valve Insert		
6 Push Rod		950406	S.64498
7 Tappet/Cam Follow er		950405	S.68599
8	Inner Valve Spring Outer Valve Spring	950507	S.64482
		950508	S.64483
9 Inlet/Exhaust Valve Guide		69010567	S.64477
10	Inlet Valve Exhaust Valve	69010555	S.64105
		69010554	S.64104
11 Camshaft		55010419	S.68676
12 Camshaft Bush			

M F

Renault



13 Oil Pump		72010710	S.64503
14 Fuel Pump		933201	S.64512
15 Water Pump			

Zetor

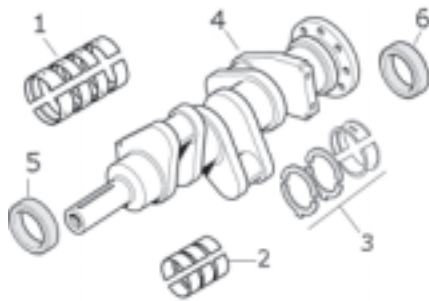
Zetor

Engine	Liner mm			Piston mm			Additional information
	Cyl.	Bore	Height	Pin	Height	Rings	
Z7001	4	101,960	225,78	35	116,5	4	

Model: 7011, 7045



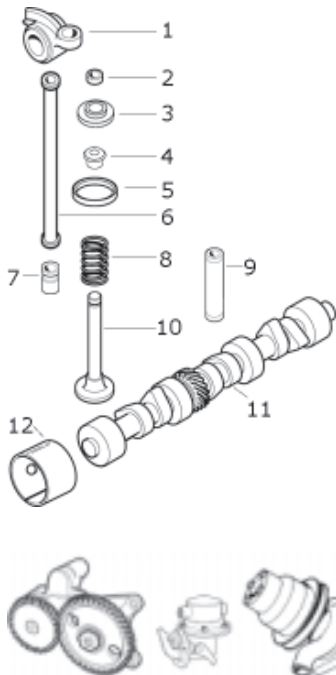
Description	Remarks	Replaces	Sparex
1 Piston and Liner Set (per Cyl.)	102 mm	69110099	S.64318
2 Liner		69010168	S.64359
3 Piston		69010374	S.68534
4 Ring Set	4 Rings	50110096	S.64039
5 Liner Seal		950117	S.64467
6 Top Gasket Set (per Cyl.)	1,2 mm		S.68780
7 Bottom Gasket Set			
8 Rocker Cover Gasket		55010527	S.64494
9 Head Gasket	1,2 mm	71010571	S.71283
	1,5 mm	71010572	S.71284
10 Sump Gasket			S.64107



1	Standard	60010093	S.64226
+ Main Bearings (1 set)	0,25mm		S.68552
3	0,50mm		S.68553
2 Conrod Bearings (1 pair)	Standard	55010304	S.64001
	0,25mm	55010399	S.64485
	0,50mm	55010398	S.64487
3 Thrust Washers (1 set)			
4 Crankshaft		72010399	S.68587
5 Front Oil Seal		974240	S.64081
6 Rear Oil Seal		79010282	S.64138



1 Conrod	69010389	S.64465
2 Small End Bush	950311	S.64466
3 Conrod Bolt		
4 Conrod Nut		



1	Rocker Arm (Intake) Rocker Arm (Exhaust)		
2 Collet		69010559	S.64256
3 Valve Retainer			
4 Valve Stem Seal			
5 Inlet Valve Insert Exhaust Valve Insert			
6 Push Rod		950406	S.64498
7 Tappet/Cam Follow er		950405	S.68599
8 Inner Valve Spring Outer Valve Spring		950507	S.64482
		950508	S.64483
9 Inlet/Exhaust Valve Guide		69010567	S.64477
10 Inlet Valve Exhaust Valve		69010555	S.64105
		69010554	S.64104
11 Camshaft		55010419	S.68676
12 Camshaft Bush			
13 Oil Pump		72010710	S.64503
14 Fuel Pump		933201	S.64512
15 Water Pump - w ithout Pulley		62010615	S.64219

Sparex

Case IH

David Brown

Deutz

Fendt

Fiatagri

Ford

John Deere

M F

Renault

Zetor

Zetor	Engine	Liner mm			Piston mm			Additional information
	Z7201	Cyl.	Bore	Height	Pin	Height	Rings	
		4	101,960	225,78	35	116,5	3 4	

Model: 5320, 5340, 6211, 6245, 7211, 7245

Case IH

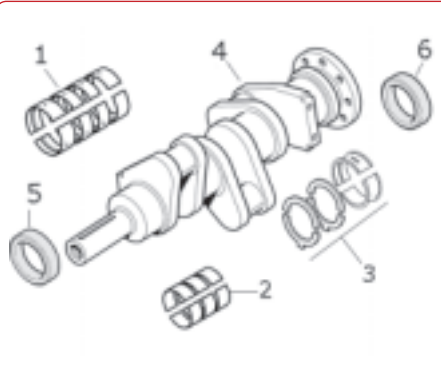
David Brown



Description	Remarks	Replaces	Sparex
1 Piston and Liner Set (per Cyl.)	102 mm	52110099	S.64348
2 Liner		69010168	S.64359
3 Piston		72010303	S.64247
4 Ring Set	3 Rings	52110096	S.64216
5 Liner Seal		950117	S.64467
1 Piston and Liner Set (per Cyl.)	102 mm	69110099	S.64318
2 Liner		69010168	S.64359
3 Piston		69010374	S.68534
4 Ring Set	4 Rings	50110096	S.64039
5 Liner Seal		950117	S.64467
6 Top Gasket Set			
7 Bottom Gasket Set			
8 Rocker Cover Gasket		55010502	S.64494
9 Head Gasket	1,2 mm	71010571	S.71283
	1,5 mm	71010572	S.71284
10 Sump Gasket		72010208	S.64107

Deutz

Fendt



1	Standard	60010093	S.64226
+ Main Bearings (1 set)	0,25mm		S.68552
3	0,50mm		S.68553
2 Conrod Bearings (1 pair)	Standard	55010304	S.64001
	0,25mm	55010399	S.64485
	0,50mm	55010398	S.64487
3 Thrust Washers (1 set)			
4 Crankshaft	4 Cylinder	72010399	S.68587
5 Front Oil Seal		974240	S.64081
6 Rear Oil Seal		79010282	S.64138

Fiatagri

Ford

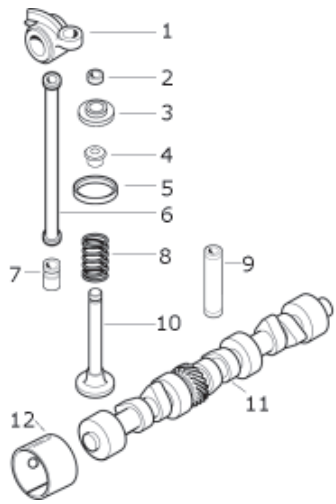


1 Conrod		69010389	S.64465
2 Small End Bush		950311	S.64466
3 Conrod Bolt			
4 Conrod Nut			

John Deere

M F

Renault



1	Rocker Arm (Intake) Rocker Arm (Exhaust)		
2 Collet		80005903	S.64256
3 Valve Retainer			
4 Valve Stem Seal			
5	Inlet Valve Insert Exhaust Valve Insert		
6 Push Rod		950406	S.64498
7 Tappet/Cam Follow er		950405	S.68599
8	Inner Valve Spring Outer Valve Spring	950507	S.64482
		950508	S.64483
9 Inlet/Exhaust Valve Guide		69010567	S.64477
10	Inlet Valve Exhaust Valve	69010555	S.64105
		69010554	S.64104
11 Camshaft		55010419	S.68676
12 Camshaft Bush			

Zetor



13 Oil Pump		72010710	S.64503
14 Fuel Pump		93009701	S.64156
15 Water Pump - w ithout Pulley		62010615	S.64219

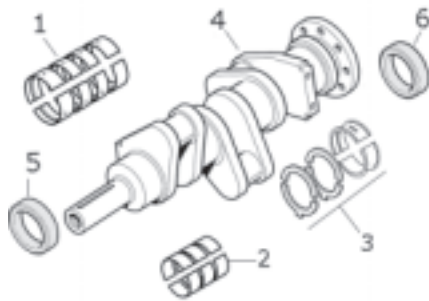
Zetor

Engine	Liner mm			Piston mm			Additional information
	Cyl.	Bore	Height	Pin	Height	Rings	
Z7301T Z7701	4	101,960	225,78	35	123,72	3	Auch TurboModel

Model: 6320, 6340, 7320, 7321, 7340, 7341, 7711, 7745



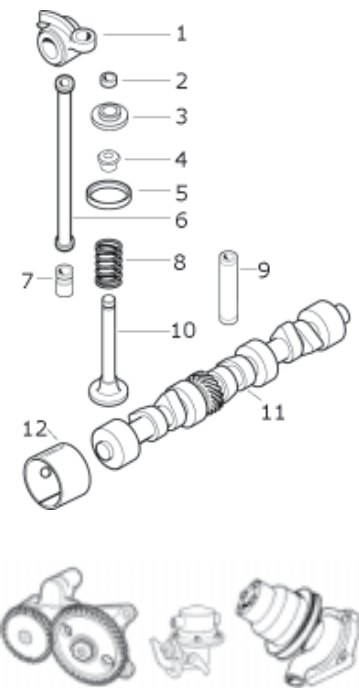
Description	Remarks	Replaces	Sparex
1 Piston and Liner Set (per Cyl.)	102 mm	72110099	S.64323
2 Liner		69010168	S.64359
3 Piston		71010303	S.64322
4 Ring Set	3 Rings	52110096	S.64216
5 Liner Seal		950117	S.64467
1 Piston and Liner Set (per Cyl.)	Turbo	79110099	S.68532
2 Liner	102 mm	69010168	S.64359
3 Piston		79010303	S.68533
4 Ring Set	3 Rings	79110096	S.68536
5 Liner Seal		950117	S.64467
6 Top Gasket Set (per Cyl.)	1,2 mm		S.68780
7 Bottom Gasket Set			
8 Rocker Cover Gasket		55010502	S.64494
9 Head Gasket	1,2 mm	71010571	S.71283
	Turbo	52020572	S.64770
10 Sump Gasket		72010208	S.64107



1	Standard	60010093	S.64226
+ Main Bearings (1 set)	0,25mm		S.68552
3	0,50mm		S.68553
2 Conrod Bearings (1 pair)	Standard	55010304	S.64001
	0,25mm	55010399	S.64485
	0,50mm	55010398	S.64487
3 Thrust Washers (1 set)			
4 Crankshaft	4 Cylinder	72010399	S.68587
5 Front Oil Seal		974240	S.64081
6 Rear Oil Seal		79010282	S.64138



1 Conrod	69010389	S.64465
2 Small End Bush	950311	S.64466
3 Conrod Bolt		
4 Conrod Nut		



1	Rocker Arm (Intake) Rocker Arm (Exhaust)		
2 Collet		80005903	S.64256
3 Valve Retainer			
4 Valve Stem Seal			
5 Inlet Valve Insert Exhaust Valve Insert			
6 Push Rod		71010406	S.64499
7 Tappet/Cam Follow er		950405	S.68599
8 Inner Valve Spring Outer Valve Spring		950507 950508	S.64482 S.64483
9 Inlet/Exhaust Valve Guide		69010567	S.64477
10 Inlet Valve Exhaust Valve		69010555 69010554	S.64105 S.64104
11 Camshaft		55010419	S.68676
12 Camshaft Bush			
13 Oil Pump		72010710	S.64503
14 Fuel Pump		93009701	S.64156
15 Water Pump		62010615	S.64219

Sparex

Case IH

David Brown

Deutz

Fendt

Fiatagri

Ford

John Deere

M F

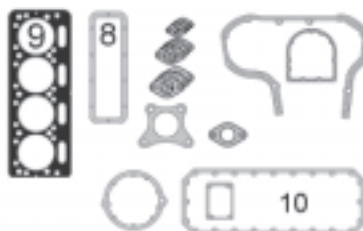
Renault

Zetor

Zetor	Engine	Liner mm			Piston mm			Additional information
	Z8001	Cyl.	Bore	Height	Pin	Height	Rings	
	Model: 8011, 8045	4	109,990	234,38	40	128,32	4	



Description	Remarks	Replaces	Sparex
1 Piston and Liner Set (per Cyl.)	110 mm	83003959	S.64807
2 Liner		89002002	S.64179
3 Piston		80003021	S.64968
4 Ring Set	4 Rings	80003900	S.64833
5 Liner Seal		80002003	S.64248

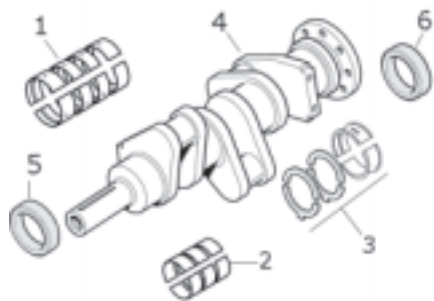


6 Top Gasket Set	1,2 mm		S.71290
7 Bottom Gasket Set			S.71291
8 Rocker Cover Gasket		80005071	S.64294
9 Head Gasket	1,2 mm	80005904	S.71286
	1,5 mm	80000506	S.64257
10 Sump Gasket		83002119	S.64251

Case IH

David Brown

Deutz



1	Standard		S.64194
+ Main Bearings (1 set)	0,25mm		S.64232
3	0,50mm		S.68546
2 Conrod Bearings (1 pair)	Standard	80003033	S.64184
	0,25mm	80003028	S.64486
	0,50mm	80003008	S.64488
3 Thrust Washers (1 set)			
4 Crankshaft			
5 Front Oil Seal		86002902	S.64081
6 Rear Oil Seal	<1975	89002902	S.64173

Fendt

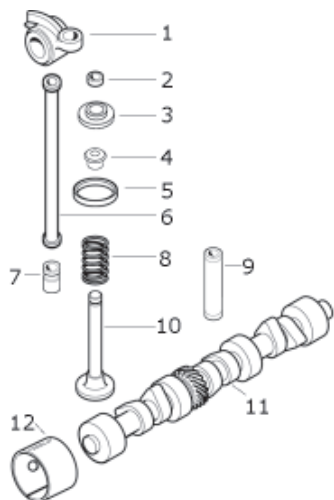
Fiatagri



1 Conrod			
2 Small End Bush		80003046	S.64185
3 Conrod Bolt			
4 Conrod Nut			

Ford

John Deere



1	Rocker Arm (Intake)		
	Rocker Arm (Exhaust)		
2 Collet		69010559	S.64256
3 Valve Retainer			
4 Valve Stem Seal			
5 Inlet Valve Insert		89005517	S.64974
6 Exhaust Valve Insert		89005922	S.64481
6 Push Rod			
7 Tappet/Cam Follow er			
8 Inner Valve Spring		80005012	S.64252
8 Outer Valve Spring		80005013	S.64484
9 Inlet/Exhaust Valve Guide		80005101	S.64478
10 Inlet Valve		80005014	S.64473
10 Exhaust Valve		80005015	S.64253
11 Camshaft			
12 Camshaft Bush			

M F

Renault

Zetor



13 Oil Pump		83007019	S.64154
14 Fuel Pump		93009200	S.64156
15 Water Pump - w without Pulley		80017999	S.64353

Zetor

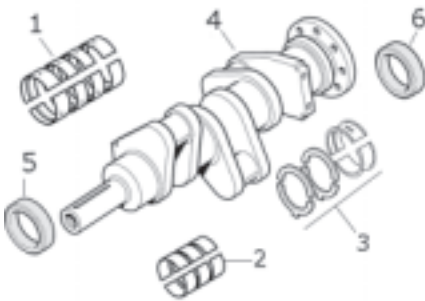
Engine	Liner mm			Piston mm			Additional information
	Cyl.	Bore	Height	Pin	Height	Rings	
Z8002.1	4	109,990	234,38	40	128,3	3	
Model: 10011, 10045, 10111, 10145							



Description	Remarks	Replaces	Sparex
1 Piston and Liner Set (per Cyl.)	110 mm	89003959	S.64335
2 Liner		89002002	S.64179
3 Piston		89003912	S.64180
4 Ring Set	3 Rings	89003913	S.64178
5 Liner Seal	10111,10145	80002003	S.64248



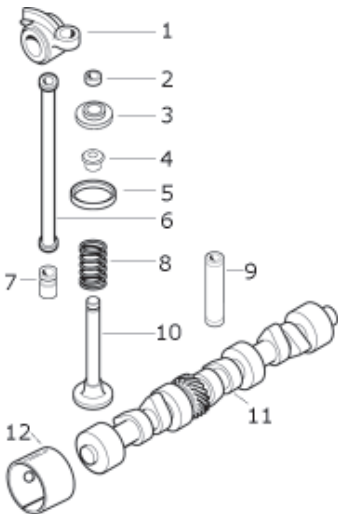
6 Top Gasket Set			
7 Bottom Gasket Set			S.71291
8 Rocker Cover Gasket		80005071	S.64294
9 Head Gasket	1,2 mm	83005920	S.64305
	1,5 mm	83005921	S.64298
10 Sump Gasket		83002119	S.64251



1	Standard		S.64194
+ Main Bearings (1 set)	0,25mm		S.64232
3	0,50mm		S.68546
2 Conrod Bearings (1 pair)	Standard	80003033	S.64184
	0,25mm	80003028	S.64486
	0,50mm	80003008	S.64488
3 Thrust Washers (1 set)			
4 Crankshaft (10111, 10145 only)		83003519	S.64332
5 Front Oil Seal		86002902	S.64081
6 Rear Oil Seal			



1 Conrod			
2 Small End Bush		80003046	S.64185
3 Conrod Bolt			
4 Conrod Nut			



1	Rocker Arm (Intake)		
	Rocker Arm (Exhaust)		
2 Collet		69010559	S.64256
3 Valve Retainer			
4 Valve Stem Seal			
5 Inlet Valve Insert		89005517	S.64974
6 Exhaust Valve Insert		89005922	S.64481
6 Push Rod			
7 Tappet/Cam Follow er			
8 Inner Valve Spring		80005012	S.64252
8 Outer Valve Spring		80005013	S.64484
9 Inlet/Exhaust Valve Guide		80005101	S.64478
10 Inlet Valve		80005014	S.64473
10 Exhaust Valve		80005015	S.64253
11 Camshaft			
12 Camshaft Bush			



13 Oil Pump		83007019	S.64154
14 Fuel Pump		93009200	S.64156
15 Water Pump - w ithout Pulley		80017999	S.64353

Sparex

Case IH

David Brown

Deutz

Fendt

Fiatagri

Ford

John Deere

M F

Renault

Zetor

Zetor	Engine	Liner mm			Piston mm			Additional information
	Z8002.11	Cyl.	Bore	Height	Pin	Height	Rings	
		4	110,000	233,7	40	128,3	3	Z8002...11 1134 1334
Model: 9111, 9145, 9211, 9245 (some models 10145)								



Description	Remarks	Replaces	Sparex
1 Piston and Liner Set (per Cyl.)	110 mm	89003959	S.64335
2 Liner		89002002	S.64179
3 Piston		89003912	S.64180
4 Ring Set	3 Rings	89003913	S.64178
5 Liner Seal		80002003	S.64248

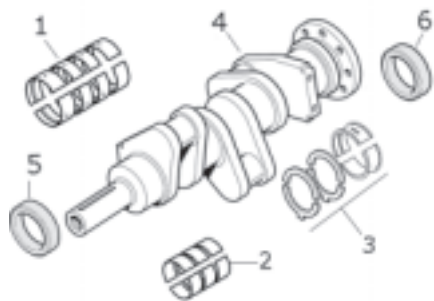


6 Top Gasket Set			
7 Bottom Gasket Set			
8 Rocker Cover Gasket		80005071	S.64294
9 Head Gasket	1,2 mm	83005920	S.64305
	1,5 mm	83005921	S.64298
10 Sump Gasket		83002119	S.64251

Case IH

David Brown

Deutz



1	Standard		S.64194
+ Main Bearings (1 set)	0,25mm		S.64232
3	0,50mm		S.68546
2	Standard	80003033	S.64184
Conrod Bearings (1 pair)	0,25mm	80003028	S.64486
	0,50mm	80003008	S.64488
3 Thrust Washers (1 set)			
4 Crankshaft		83003519	S.64332
5 Front Oil Seal		86002902	S.64081
6 Rear Oil Seal		89002902	S.64173

Fendt

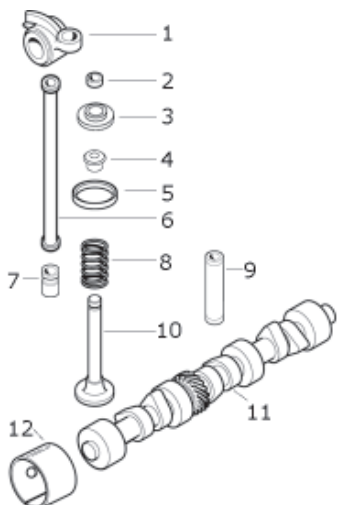
Fiatagri



1 Conrod			
2 Small End Bush		80003046	S.64185
3 Conrod Bolt			
4 Conrod Nut			

Ford

John Deere



1	Rocker Arm (Intake)		
	Rocker Arm (Exhaust)		
2 Collet		69010559	S.64256
3 Valve Retainer			
4 Valve Stem Seal			
5	Inlet Valve Insert	89005517	S.64974
	Exhaust Valve Insert	89005922	S.64481
6 Push Rod			
7 Tappet/Cam Follow er			
8	Inner Valve Spring	89005502	S.64267
	Outer Valve Spring	89005501	S.64266
9	Inlet Valve Guide	89005508	S.64479
	Exhaust Valve Guide	89005518	S.64480
10	Inlet Valve	89005915	S.64474
	Exhaust Valve	80005015	S.64253
11 Camshaft			
12 Camshaft Bush			

M F

Renault

Zetor



13 Oil Pump		83007019	S.64154
14 Fuel Pump		93009200	S.64156
15 Water Pump		84017529	S.64161

Zetor

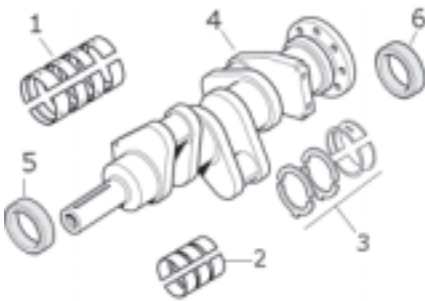
Engine	Liner mm			Piston mm			Additional information
	Cyl.	Bore	Height	Pin	Height	Rings	
Z8002.134	4	109,990	234,38	40	128,3	3	Z8002... 134 1234
Model: 10111, 10145, 10211, 10245							



Description	Remarks	Replaces	Sparex
1 Piston and Liner Set (per Cyl.)	110 mm	89003959	S.64335
2 Liner		89002002	S.64179
3 Piston		89003912	S.64180
4 Ring Set	3 Rings	89003913	S.64178
5 Liner Seal		80002003	S.64248



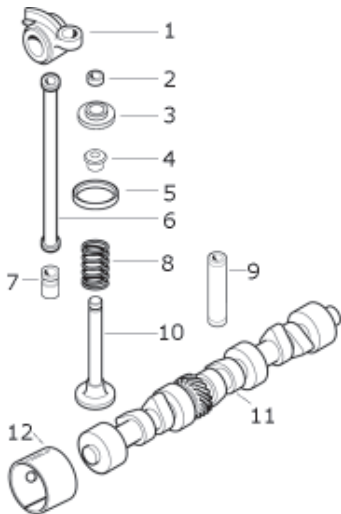
6 Top Gasket Set			
7 Bottom Gasket Set			S.71291
8 Rocker Cover Gasket		80005071	S.64294
9 Head Gasket	1,2 mm	80005904	S.71286
	1,5 mm	80005906	S.64257
10 Sump Gasket		83002119	S.64251



1	Standard		S.64194
+ Main Bearings (1 set)	0,25mm		S.64232
3	0,50mm		S.68546
2 Conrod Bearings (1 pair)	Standard	80003033	S.64184
	0,25mm	80003028	S.64486
	0,50mm	80003008	S.64488
3 Thrust Washers (1 set)			
4 Crankshaft		83003519	S.64332
5 Front Oil Seal		86002902	S.64081
6 Rear Oil Seal		89002902	S.64173



1 Conrod			
2 Small End Bush		80003046	S.64185
3 Conrod Bolt			
4 Conrod Nut			



1	Rocker Arm (Intake) Rocker Arm (Exhaust)		
2 Collet		69010559	S.64256
3 Valve Retainer			
4 Valve Stem Seal			
5 Inlet Valve Insert		89005517	S.64974
6 Exhaust Valve Insert		89005922	S.64481
7 Push Rod			
8 Tappet/Cam Follow er			
9 Inner Valve Spring		89005502	S.64267
10 Outer Valve Spring		89005501	S.64266
11 Inlet Valve Guide		89005508	S.64479
Exhaust Valve Guide		89005518	S.64480
12 Inlet Valve		89005915	S.64474
Exhaust Valve		80005015	S.64253
11 Camshaft			
12 Camshaft Bush			



13 Oil Pump		83007019	S.64154
14 Fuel Pump		93009200	S.64156
15 Water Pump		84017529	S.64161

Sparex

Case IH

David Brown

Deutz

Fendt

Fiatagri

Ford

John Deere

M F

Renault

Zetor

Zetor

Engine	Liner mm			Piston mm			Additional information
	Cyl.	Bore	Height	Pin	Height	Rings	
Z8401.1	4	109,990	234,38	40	128,3	3	Z8401...1 1.1234 1.134
Model: 8111, 8145, 8211, 8245,							



Description	Remarks	Replaces	Sparex
1 Piston and Liner Set (per Cyl.)	110 mm	89003959	S.64335
2 Liner		89002002	S.64179
3 Piston		89003912	S.64180
4 Ring Set	3 Rings	89003913	S.64178
5 Liner Seal		80002003	S.64248

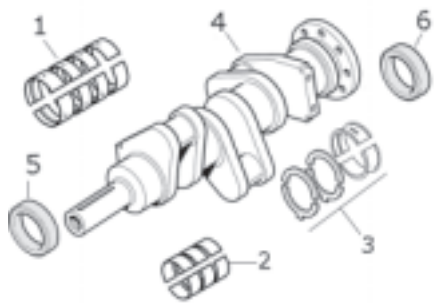


6 Top Gasket Set			S.71291
7 Bottom Gasket Set			S.71291
8 Rocker Cover Gasket		80005071	S.64294
9 Head Gasket	1,2 mm	83005920	S.64305
	1,5 mm	83005921	S.64298
10 Sump Gasket		83002119	S.64251

Case IH

David Brown

Deutz



1	Standard		S.64194
+ Main Bearings (1 set)	0,25mm		S.64232
3	0,50mm		S.68546
2	Standard	80003033	S.64184
Conrod Bearings (1 pair)	0,25mm	80003028	S.64486
	0,50mm	80003008	S.64488
3 Thrust Washers (1 set)			
4 Crankshaft		83003501	S.64332
5 Front Oil Seal		86002902	S.64081
6 Rear Oil Seal		89002902	S.64173

Fendt

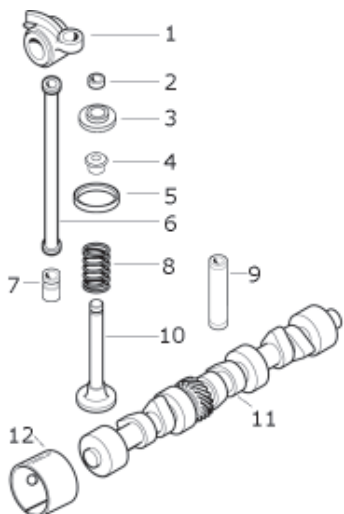
Fiatagri



1 Conrod			
2 Small End Bush		80003046	S.64185
3 Conrod Bolt			
4 Conrod Nut			

Ford

John Deere



1	Rocker Arm (Intake)		
	Rocker Arm (Exhaust)		
2 Collet		69010559	S.64256
3 Valve Retainer			
4 Valve Stem Seal			
5	Inlet Valve Insert		
	Exhaust Valve Insert		
6 Push Rod			
7 Tappet/Cam Follow er			
8	Inner Valve Spring	89005502	S.64267
	Outer Valve Spring	89005501	S.64266
9	Inlet Valve Guide	89005508	S.64479
	Exhaust Valve Guide	89005518	S.64480
10	Inlet Valve	89005915	S.64474
	Exhaust Valve	80005015	S.64253
11 Camshaft			
12 Camshaft Bush			

M F

Renault

Zetor

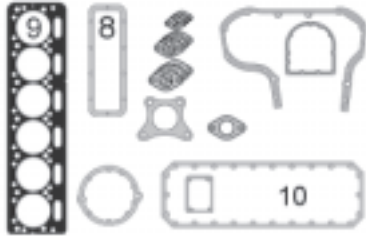
13 Oil Pump		83007019	S.64154
14 Fuel Pump		93009200	S.64156
15 Water Pump		84017529	S.64161

Zetor

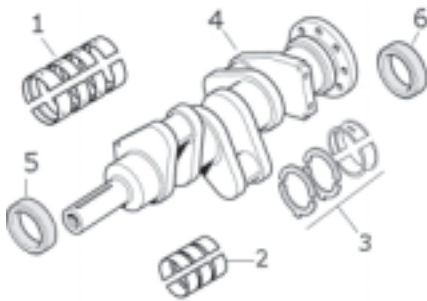
Engine	Liner mm			Piston mm			Additional information
	Cyl.	Bore	Height	Pin	Height	Rings	
Z8601	6	109,990	234,38	40	128,32	4	
Model: 12011, 12045							



Description	Remarks	Replaces	Sparex
1 Piston and Liner Set (per Cyl.)	110 mm	83003959	S.64807
2 Liner		89002002	S.64179
3 Piston		80003021	S.64968
4 Ring Set	4 Rings	80003900	S.64833
5 Liner Seal		80002003	S.64248



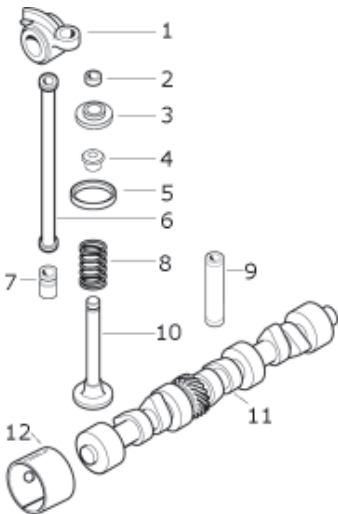
6 Top Gasket Set			
7 Bottom Gasket Set			
8 Rocker Cover Gasket		89005004	S.64495
9 Head Gasket	1,2 mm	86005901	S.64300
	1,5 mm	89005901	S.64301
10 Sump Gasket		86002002	S.64299



1	Standard		S.64195
+ Main Bearings (1 set)	0,25mm		S.64234
	0,50mm		S.68547
2	Standard	80003033	S.64184
Conrod Bearings (1 pair)	0,25mm	80003028	S.64486
	0,50mm	80003008	S.64488
3 Thrust Washers (1 set)			
4 Crankshaft			
5 Front Oil Seal		86002902	S.64081
6 Rear Oil Seal	<1975	89002902	S.64173



1 Conrod			
2 Small End Bush		80003046	S.64185
3 Conrod Bolt			
4 Conrod Nut			



1	Rocker Arm (Intake)		
	Rocker Arm (Exhaust)		
2 Collet		69010559	S.64256
3 Valve Retainer			
4 Valve Stem Seal			
5 Inlet Valve Insert		89005517	S.64974
6 Exhaust Valve Insert		89005922	S.64481
7 Push Rod			
8 Tappet/Cam Follow er			
9 Inner Valve Spring		80005012	S.64252
10 Outer Valve Spring		80005013	S.64484
11 Inlet/Exhaust Valve Guide		80005101	S.64478
12 Inlet Valve		80005014	S.64473
	Exhaust Valve	80005015	S.64253
13 Camshaft			
14 Camshaft Bush			



13 Oil Pump		86007019	S.64793
14 Fuel Pump		93009200	S.64156
15 Water Pump - w ithout Pulley		86017000	S.64441

Sparex

Case IH

David Brown

Deutz

Fendt

Fiatagri

Ford

John Deere

M F

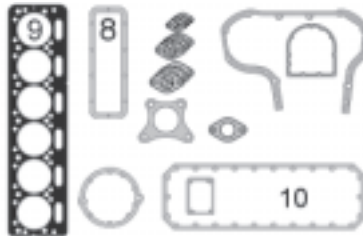
Renault

Zetor

Zetor	Engine	Liner mm			Piston mm			
		Cyl.	Bore	Height	Pin	Height	Rings	Z8002...1134 Z8602... 11 12 13 Z8701...1 12 13
	Z8002 Z8602 Z8701	6	109,990	234,38	40	128,3	3	Model: 11211, 11245, 12111, 12145, 12211, 12245, 14145, 14245, 16145, 16245



Description	Remarks	Replaces	Sparex
1 Piston and Liner Set (per Cyl.)	110 mm	89003959	S.64335
2 Liner		89002002	S.64179
3 Piston		89003912	S.64180
4 Ring Set	3 Rings	89003913	S.64178
5 Liner Seal		80002003	S.64248

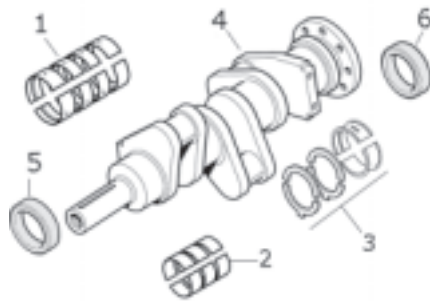


6 Top Gasket Set			
7 Bottom Gasket Set			
8 Rocker Cover Gasket		89005004	S.64495
9 Head Gasket	1,2 mm	89005920	S.64268
	1,5 mm	89005921	S.64269
10 Sump Gasket		86002002	S.64299

Case IH

David Brown

Deutz



1	Standard		S.64195
+ Main Bearings (1 set)	0,25mm		S.64234
3	0,50mm		S.68547
2	Standard	80003033	S.64184
Conrod Bearings (1 pair)	0,25mm	80003028	S.64486
	0,50mm	80003008	S.64488
3			
Thrust Washers (1 set)			
4 Crankshaft		89003519	S.64334
5 Front Oil Seal		86002902	S.64081
6 Rear Oil Seal		89002902	S.64173

Fendt

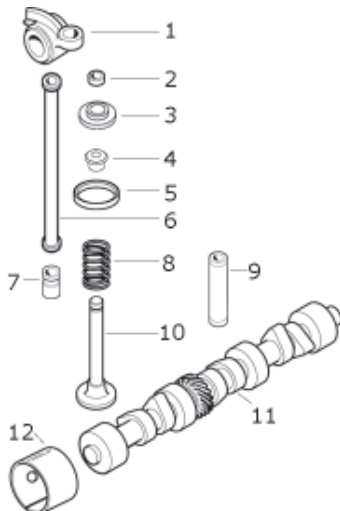
Fiatagri



1			
Conrod			
2		80003046	S.64185
Small End Bush			
3			
Conrod Bolt			
4			
Conrod Nut			

Ford

John Deere



1	Rocker Arm (Intake) Rocker Arm (Exhaust)		
2	Collet	69010559	S.64256
3	Valve Retainer		
4	Valve Stem Seal		
5	Inlet Valve Insert	89005517	S.64974
	Exhaust Valve Insert	89005922	S.64481
6	Push Rod		
7	Tappet/Cam Follow er		
8	Inner Valve Spring	89005502	S.64267
	Outer Valve Spring	89005501	S.64266
9	Inlet Valve Guide	89005508	S.64479
	Exhaust Valve Guide	89005518	S.64480
10	Inlet Valve	89005915	S.64474
	Exhaust Valve	80005015	S.64253
11	Camshaft		
12	Camshaft Bush		

M F

Renault



13	Oil Pump	86007019	S.64793
14	Fuel Pump	93009200	S.64156
15	Water Pump	87017529	S.64813

Zetor



Case IH

David Brown

Deutz

Fendt

Fiatagri

Ford

John Deere

M F

Renault

Zetor

Starter Ring Gears

Typ	Engine	Replaces	Sparex
2011, 2511, 3011, 3045, 3511, 3513, 3545, 3320, 3340, 4320, 4340, 4511, 4611, 5211, 5245, 4712, 4718, 4911, 5011, 5045, 5320, 5340, 5511, 5516, 5545, 5611, 5645, 5647, 5711, 5718, 5745, 5748, 5911, 5945, 6011, 6045, 6211, 6245, 6320, 6340, 6711, 6718, 6745, 6748, 6911, 6945, 7011, 7045, 7211, 7245, 7320, 7340, 7711, 7745	Z2001, Z3001, Z4001, Z5201, Z4701, Z4901, Z5001, Z5501, Z5901, Z6001, Z6201, Z6701, Z6901, Z7001, Z7201, Z7701,	95 0316	S.64121
8011, 8045, 8111, 8145, 8211, 8245, 9111, 9145, 9211, 9245, 10111, 10045, 10111, 10145, 10211, 10245, 11211, 11245, 12011, 12045, 12111, 12145, 12211, 12245, 14145, 14245, 16045, 16145, 16245	Z8001 (1 134 1234) Z8002 (1 11 1134 134 1234 1334) Z8602 (11 13 1134 12) Z8601 Z8701 (1 13)	80 003 062	S.64867



Sparex

Replacement Engine Parts

Quick Reference Guide

S.70359