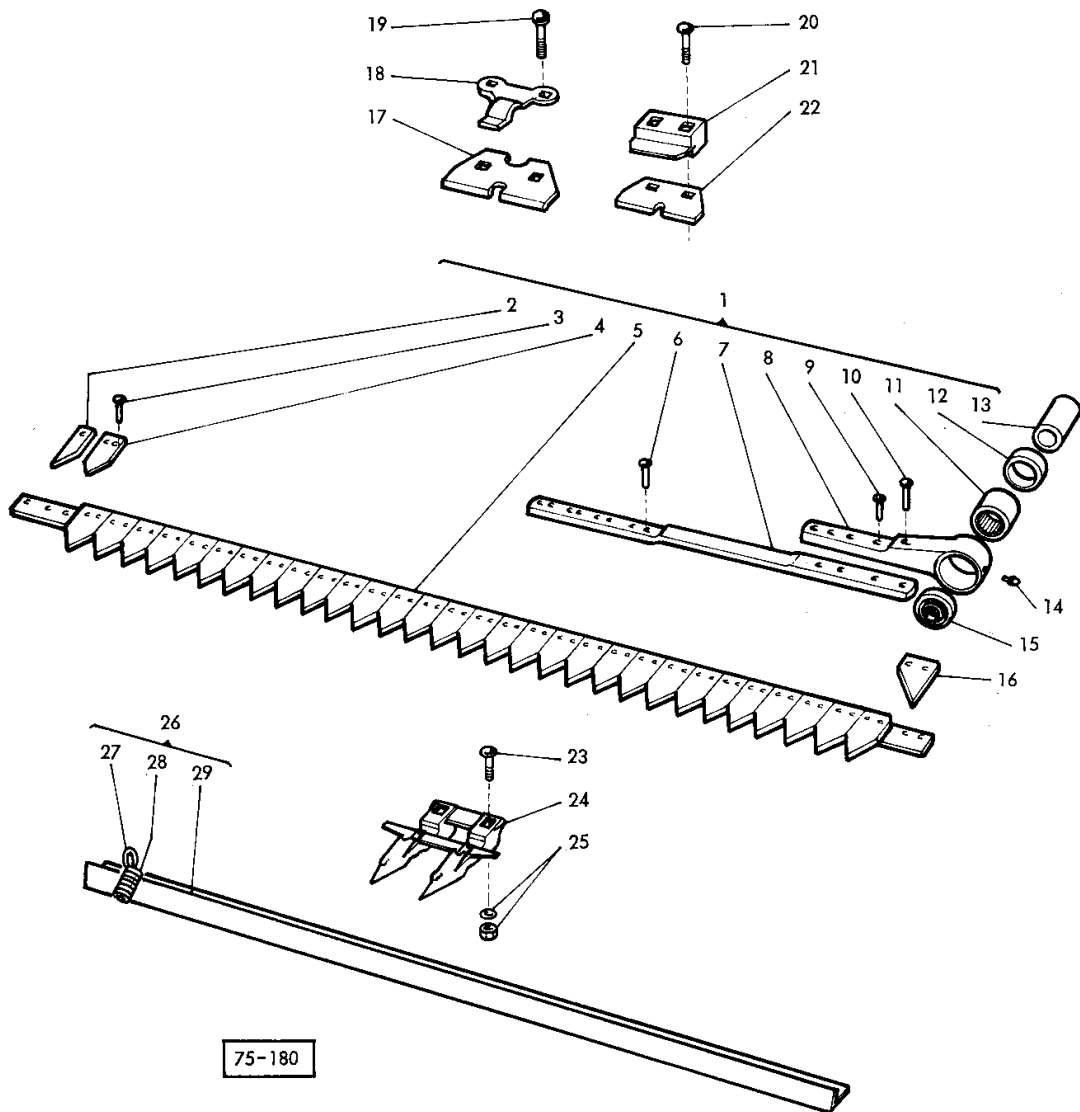


KNIFE - 8'

Item	Part Number	Qty	Description	Comments
1	403320M93	2	Knife	(A)
	403320M93	1	Knife	(B)
	417836M91	1	Knife	(B)
2	790863X1	2	Section	(A)
	790863X1	1	Section	(B)
3	391493X1	136	Rivet	(A)
	391493X1	68	Rivet	(B)
4	206236M1	66	Section	(A)
	210987M1	33	Section	(B)
5	1724501M1	2	Stem	(A)
	1724501M1	1	Stem	(B)
6	391493X1	136	Rivet	(A)
	391493X1	68	Rivet	(B)
7	647116M1	2	Section	(A)
	647116M1	1	Section	(B)
8	391498X1	6	Rivet	(A)
	391498X1	3	Rivet	(B)
9	1724499M91	2	Head	(A)
	1724499M91	1	Head	(B)
10	349419X1	8	Rivet	(A)
	349419X1	4	Rivet	(B)
11	391498X1	6	Rivet	(A)
	391498X1	3	Rivet	(B)
12	206196M1	8	Guide	(A, B)
13	206195M1	8	Clip	(A, B)
14	1442457X1	16	Bolt Metric	(A, B)
15	1442456X1	18	Screw	(A, B)
16	339204X1	2	Screw	(A, B)
	339376X1	2	Lock Washer	(A, B)
	339402X1	2	Nut Metric	(A, B)
17	402321M1	1	Plate	(A, B)
18	402321M1	1	Plate	(A, B)
19	390640X1	2	Screw Metric	(A, B)
20	404795M1	1	Plate	(A, B)
21	404409M1	1	Guide	(A, B)
22	404410M1	1	Guide	(A, B)
23	339376X1	2	Lock Washer	(A, B)
	339402X1	2	Nut Metric	(A, B)
24	609993M91	17	Finger	(A, B)
25	339534X1	34	Washer Metric	(A, B)
	339402X1	34	Nut Metric	(A, B)
26	402727M91	1	Shield	(A, B)
27	322980M1	2	Spring	(A, B)
28	322979M1	2	Knotter Hook	(A, B)
29		1		Not serviced, order 26 (A, B) (A) 2 SERATED VERSION (B) 1 SERATED VERSION + 1 SMOOTH VERSION

4

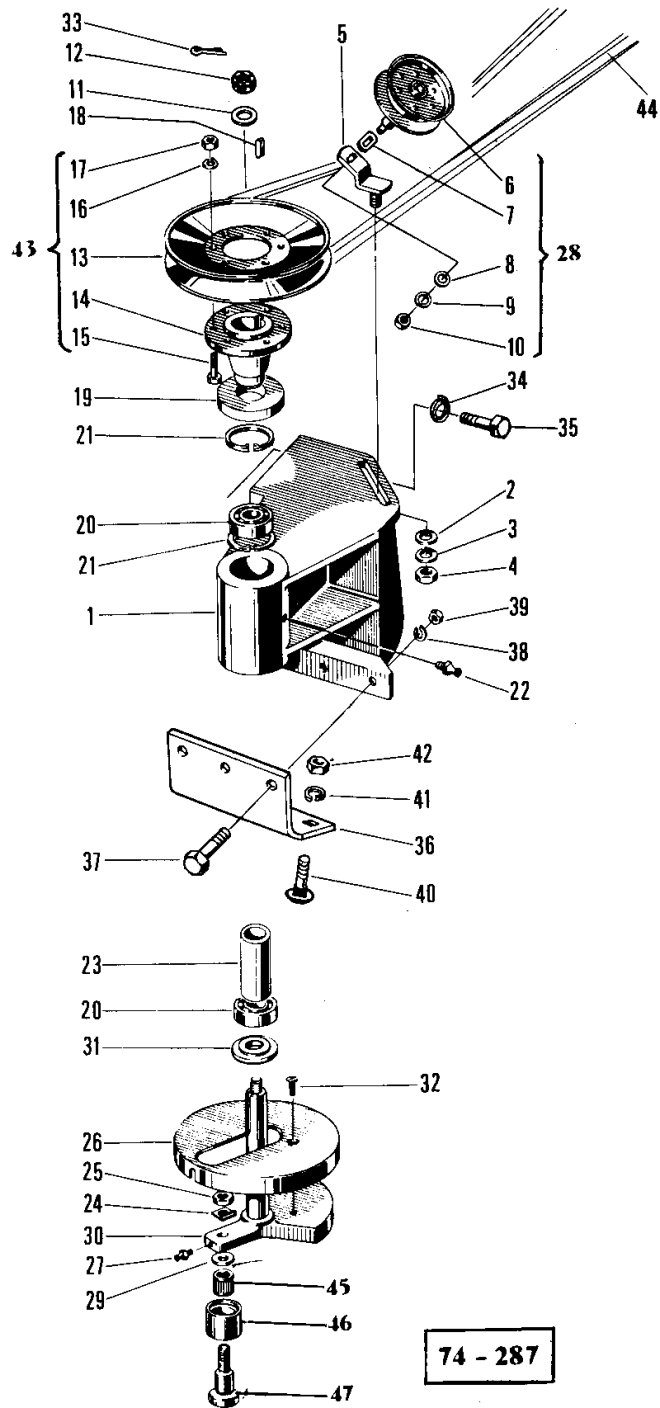
LAME  
MESSER  
KNIFE } 10



KNIFE - 10'

Item	Part Number	Qty	Description	Comments
				10'
1	1723545M92	2	Knife	(A)
	1723545M92	1	Knife	(B)
	1724687M91	1	Knife	(B)
2	790863M1	2	Section	(A)
	790863M1	1	Section	(B)
3	391493X1	148	Rivet	(A)
	391493X1	74	Rivet	(B)
4	206236M1	78	Section	(A)
	210987M1	39	Section	(B)
5	1724506M1	2	Support	(A)
	1724506M1	1	Support	(B)
6	1441934X1	16	Rivet	(A)
	1441934X1	8	Rivet	(B)
7	785583M1	2	Spring	(A)
	785583M1	1	Spring	(B)
8	785584M1	2	Head	(A)
	785584M1	1	Head	(B)
9	29140X	8	Rivet	(A)
	29140X	4	Rivet	(B)
10	29142X	2	Rivet	(A)
	29142X	1	Rivet	(B)
11	833083M1	2	Bearing Needle	(A)
	833083M1	1	Bearing Needle	(B)
12	831225M1	2	Seal	(A)
	831225M1	1	Seal	(B)
13	239242X1	2	Bearing	(A)
	239242X1	1	Bearing	(B)
14	13811X	2	Grease Nipple	(A)
	13811X	1	Grease Nipple	(B)
15	831225M1	2	Seal	(A)
	831225M1	1	Seal	(B)
16	847116M1	2	Section	(A)
	847116M1	1	Section	(B)
17	206196M1	10	Guide	(A, B)
18	206195M1	8	Clip	(A, B)
19	1442457X1	16	Bolt Metric	(A, B)
20	1441671X1	2	Bolt Metric	(A, B)
21	786506M1	1	Clip	(A, B)
22	206196M1	10	Guide	(A, B)
23	1442456X1	22	Screw	(A, B)
24	609993M91	20	Finger	(A, B)
25	339534X1	40	Washer Metric	(A, B)
	339402X1	40	Nut Metric	(A, B)
26	402729M91	1	Guard	(A, B)
27	322979M1	2	Knotter Hook	(A, B)
28	322980M1	2	Spring	(A, B)
29		1		Not serviced, order 26 (A, B) (A) 2 SERATED VERSION (B) 1 SERATED VERSION + 1 SMOOTH VERSION

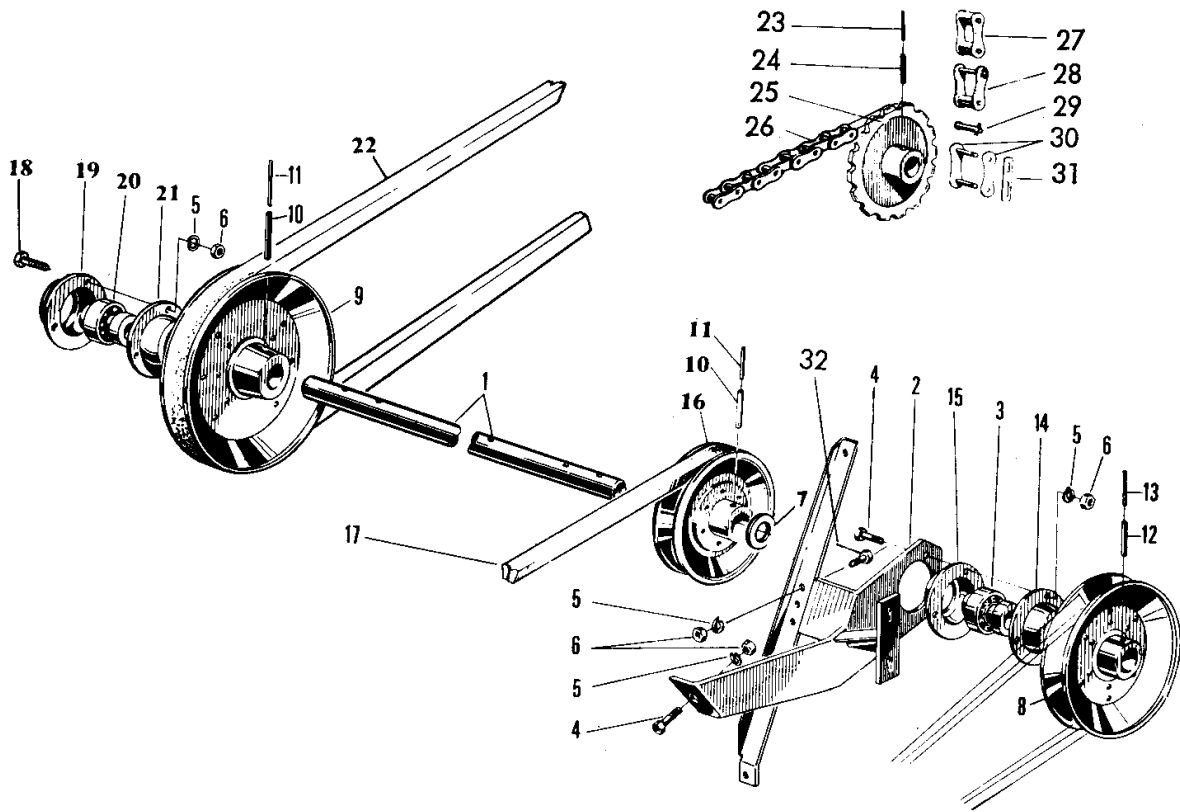
COMMANDE DE LAME	} MANIVELLE	
HESSEANTRIEB		} KURBELANTRIEB
KNIFE DRIVE		} CRANK DRIVE.



KNIFE DRIVE - CRANK DRIVE

Item	Part Number	Qty	Description	Comments
	417264M91	1	Bracket	CRANK DRIVE
1	417265M1	1	Bracket	
2	339072X1	1	Washer	
3	339380X1	1	Washer	
4	339070X1	1	Nut	
5	417205M91	1	Bearer	
6	416580M91	1	Pulley	
7	416584M1	1	Washer	
8	339072X1	1	Washer	
9	339380X1	1	Washer	
10	339070X1	1	Nut	
11	391459X1	1	Washer Metric	
12	391232X1	1	Nut	
13	403735M91	1	Pulley	
14	417267M1	1	Hub	
15	339666X1	6	Screw Metric	
16	339375X1	6	Lock Washer	
17	339030X1	6	Nut Metric	
18	391411X1	1	Key Door	
19	417268M1	1	Plate	
20	1440489X1	2	Bearing Ball	
21	339199X1	2	Ring	
22	339003X1	1	Greaser	
23	417269M1	1	Tube	
24	412383M1	1	Plate	
25	339070X1	1	Nut	
26	402997M1	1	Cover	
27	390743X1	1	Washer	
28	416579M91	1	Pulley	
29	412381M1	1	Washer	
30	417270M91	1	Shaft	
31	417273M1	1	Washer	
32	339153X1	2	Screw Metric	
33	390448X1	1	Pin	
34	339374X1	2	Lock Washer	
	339169X1	2	Nut Metric	
35	339123X1	2	Screw Metric	
36	404411M1	1	Anglepiece	
37	339814X1	3	Screw Metric	
38	339376X1	3	Lock Washer	
39	339702X1	3	Bolt Metric	
40	339172X1	3	Bolt Metric	
41	339376X1	3	Lock Washer	
42	339402X1	3	Nut Metric	
43	417266M91	1	Pulley	
44	402607M1	1	Belt	
45	339569X1	1	Bearing	
46	323478M1	1	Roller	
47	412382M1	1	Trunnion	

ARBRE (COMMANDE DE LAME)	} MANIVELLE	
WELLE (MESSERANTRIEB)		} KURBELANTRIEB
SHAFT (KNIFE DRIVE)		



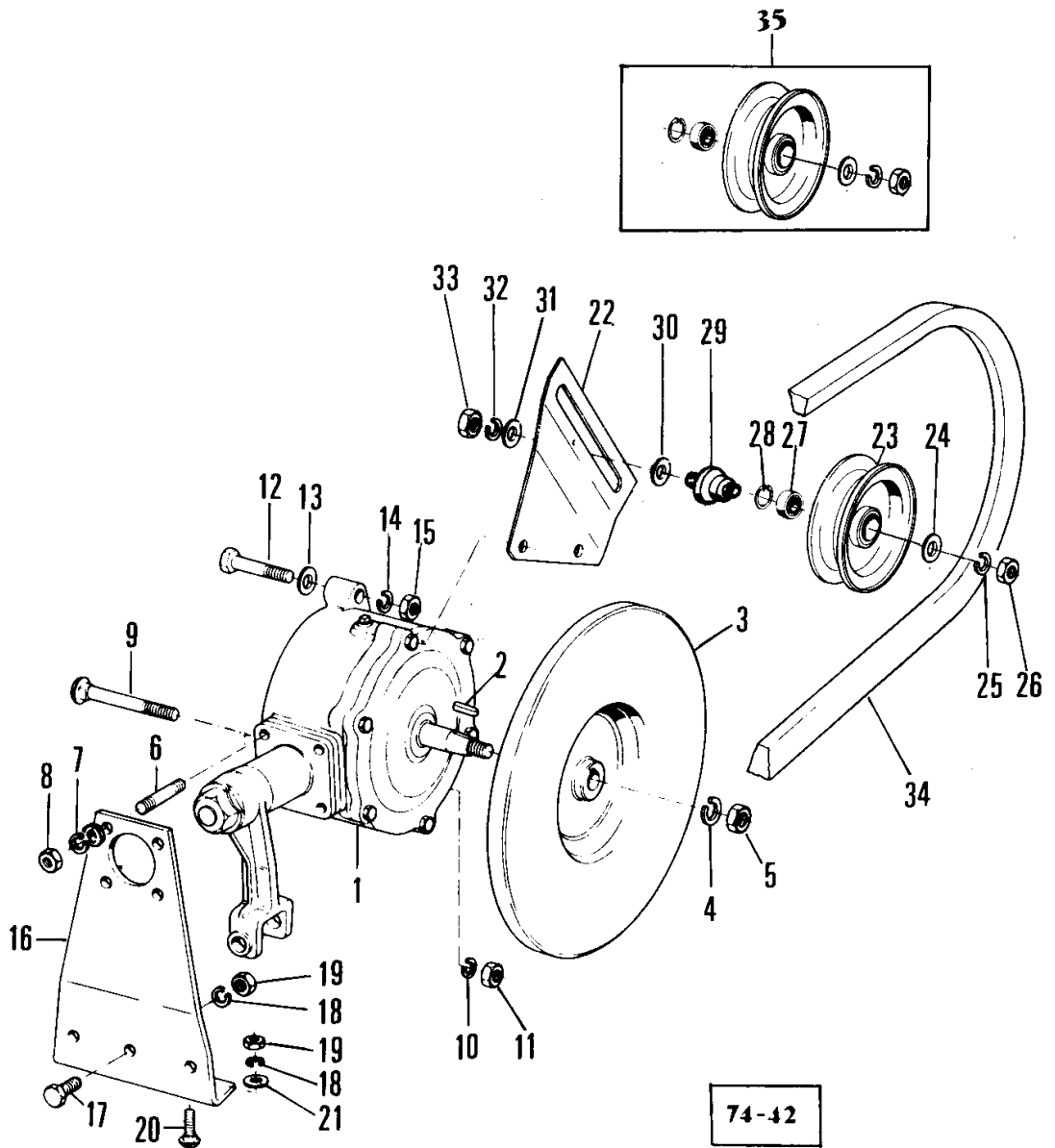
75-323

SHAFT (KNIFE DRIVE) - CRANK DRIVE

Item	Part Number	Qty	Description	Comments
				CRANK DRIVE
1	1723449M1	1	Shaft	(A)
	1723450M1	1	Shaft	(B)
2	1724117M91	1	Support	(A, B)
3	412260M1	1	Bearing Assy	(A, B)
4	339123X1	3	Screw Metric	(A, B)
5	339374X1	12	Lock Washer	(A, B)
6	339169X1	12	Nut Metric	(A, B)
7	339956X1	1	Washer	(A, B)
8	1722611M91	1	Pulley	(A, B)
9	412397M91	1	Pulley	(A, B)
10	339192X1	2	Pin	(A, B)
11	390533X1	2	Pin	(A, B)
12	339193X1	2	Pin	(A, B)
13	339238X1	2	Bolt	(A, B)
14	412261M1	1	Ring	(A, B)
15	412315M1	1	Ring	(A, B)
16	418204M91	1	Pulley	(A)
17	418209M1	1	Belt	(A)
18	339123X1	3	Screw Metric	(A, B)
19	412261M1	1	Ring	(A, B)
20	412260M1	1	Bearing Assy	(A, B)
21	412315M1	1	Ring	(A, B)
22	417972M1	1	Belt	(A, B)
23	390533X1	2	Pin	(B)
24	339192X1	1	Pin	(B)
25	418214M91	1	Sprocket	(B)
				Number of teeth/spines 15
26	413840M91	1	Chain	(B)
27	329312M91	26	Link	(B)
	329313M91	25	Link	(B)
28	329316M91	1	Cranked Link	(B)
29	329888M91	1	Pin	(B)
30	329314M91	1	Link	(B)
31	329292M1	1	Clip	(B)
32	339761X1	6	Screw Metric	(B)
				(A)
				8'
				(B)
				10'



COMMANDE DE LAME	} OSCILLANTE	
MESSERANTRIEB		} TAUMELANTRIEB
KNIFE DRIVE		

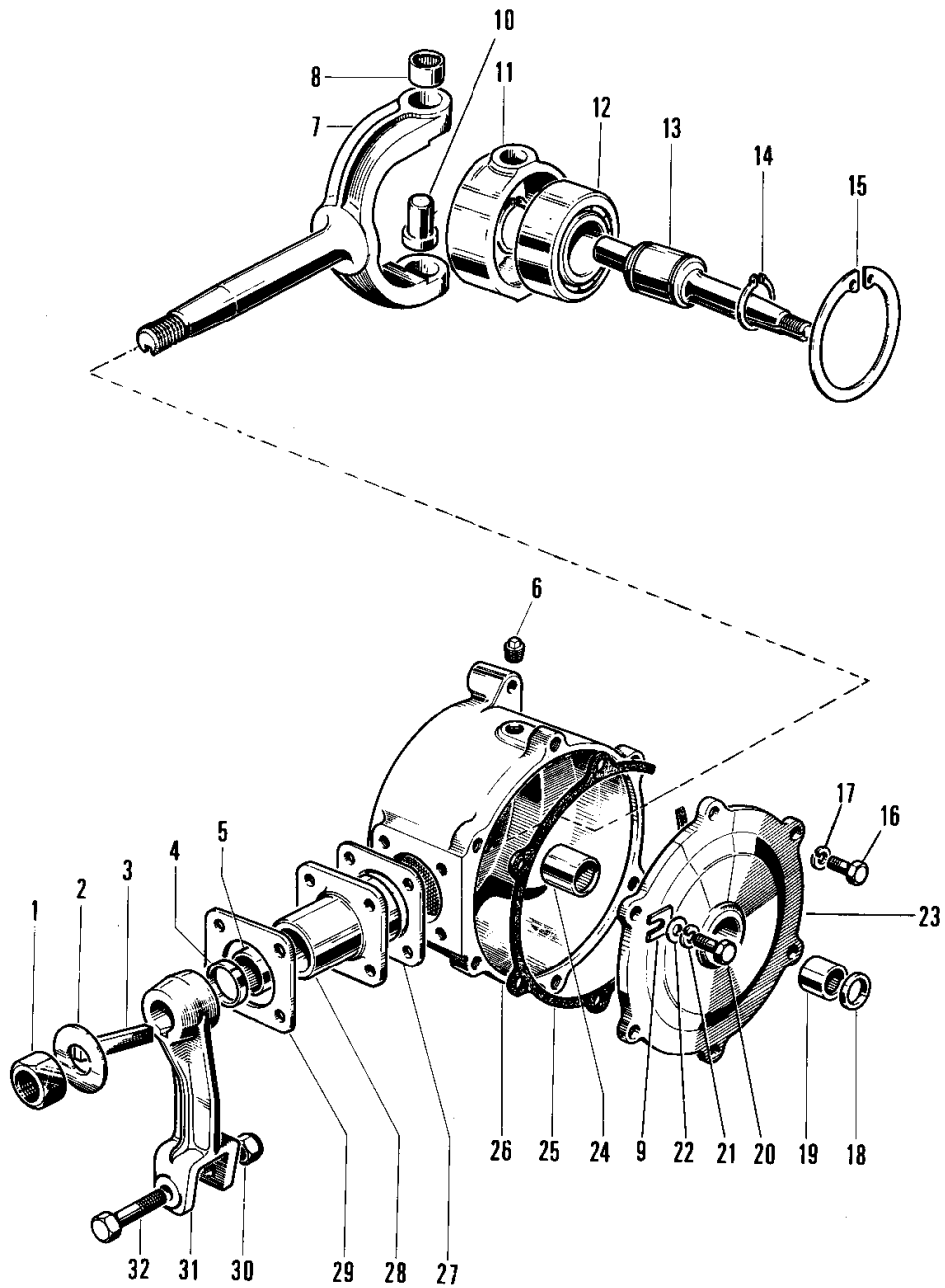


KNIFE DRIVE - WOBBLE DRIVE

Item	Part Number	Qty	Description	Comments
				WOBBLE DRIVE
1	1724135M91	1	Wobble Drive	(A)
2	1721356M1	1	Key Door	
3	1723905M1	1	Pulley	
4	339377X1	1	Lock Washer	
5	353427X1	1	Nut Unf	
6	357133X1	4	Stud	
7	609930M1	4	Washer	
	339369X1	4	Lock Washer	
8	353426X1	4	Nut Unf	
9	391231X1	1	Bolt Metric	
10	339376X1	1	Lock Washer	
11	339402X1	1	Nut Metric	
12	339679X1	1	Screw Metric	
13	391396X1	1	Washer Metric	
14	339376X1	1	Lock Washer	
15	339402X1	1	Nut Metric	
16	1721348M1	1	Bracket	
17	339451X1	3	Screw Metric	
18	339376X1	6	Lock Washer	
19	339402X1	6	Nut Metric	
20	390397X1	3	Bolt	
21	339025X1	1	Washer Metric	
22	916649M1	1	Support	
23	213736M1	1	Pulley	
24	353774X1	1	Washer	
25	391837X1	1	Conical Seat	
26	353427X1	1	Nut Unf	
27	22258X	1	Bearing Assy	
28	208230M1	1	Ring	
29	916003M1	1	Pin	
30	391591X1	1	Washer	
31	339072X1	1	Washer	
32	339380X1	1	Washer	
33	339070X1	1	Nut	
34	1722835M1	1	Belt	
35	621579M91	1	Pulley	

(A)  
DETAIL PAGE 12

BOITIER DE COMMANDE  
 GETRIEBE TAUMELANTRIEB  
 WOBBLE DRIVE

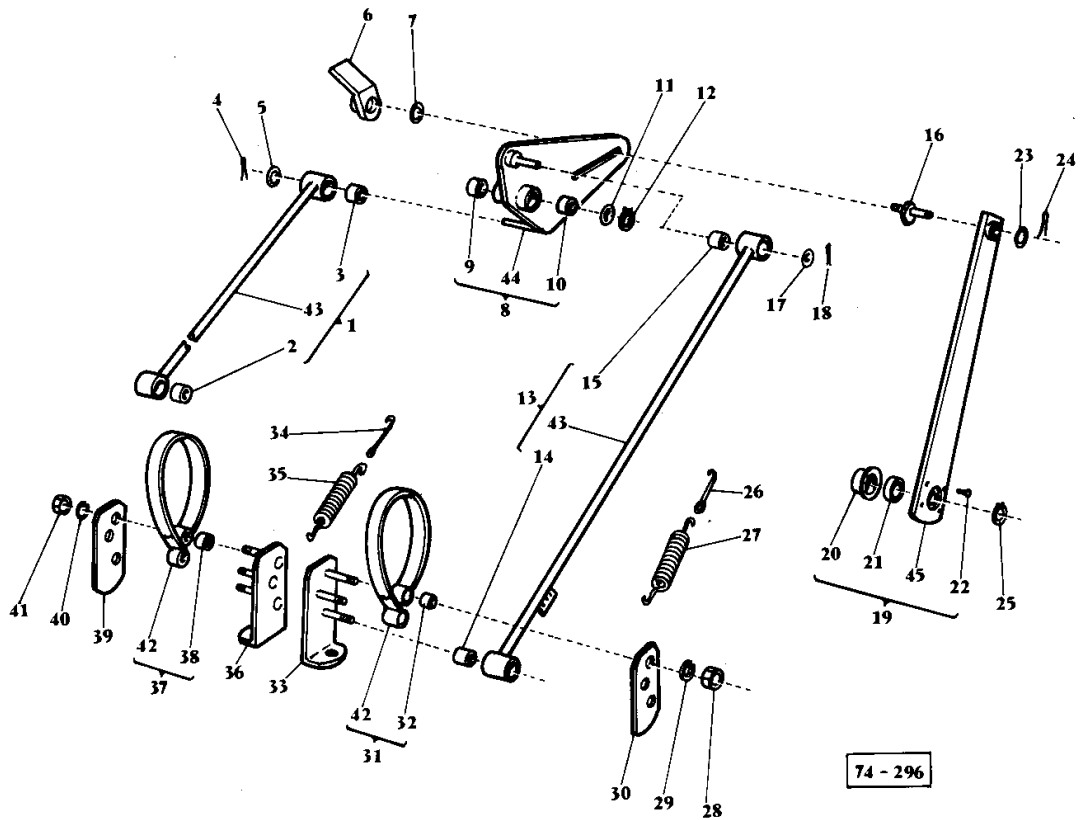


73-203

WOBBLE DRIVE

Item	Part Number	Qty	Description
	1724135M91	1	Wobble Drive
1	355646X1	1	Nut Unf
2	239497M1	1	Washer
3	49378X	1	Key
4	834782M1	2	Seal
5	833346M1	2	Bearing
6	375181X1	2	Plug
7	236569M2	1	Yoke
8	832879M1	2	Bearing
9	261428M1	2	Washer
10	249149M3	2	Pin
11	249148M4	1	Housing
12	833309M1	1	Bearing
13	239598M2	1	Shaft
14	364553X1	2	Ring
15	366126X1	1	Circlip
16	353678X1	4	Screw Unc
17	353446X1	4	Lock Washer
18	831135M1	2	Seal
19	834296M1	1	Bearing Assy
20	353679X1	2	Screw Unc
21	353446X1	2	Lock Washer
22	353755X1	2	Washer
23	236568M1	1	Cover
24	834294M1	1	Bearing Assy
25	236567M1	1	Gasket
26	236566M1	1	Housing
27	236579M1	1	Gasket
28	261391M1	2	Flange
29	236580M1	1	Spacer
30	357561X1	1	Nut Unf
31	239160M2	1	Arm
32	238499M1	1	Bolt

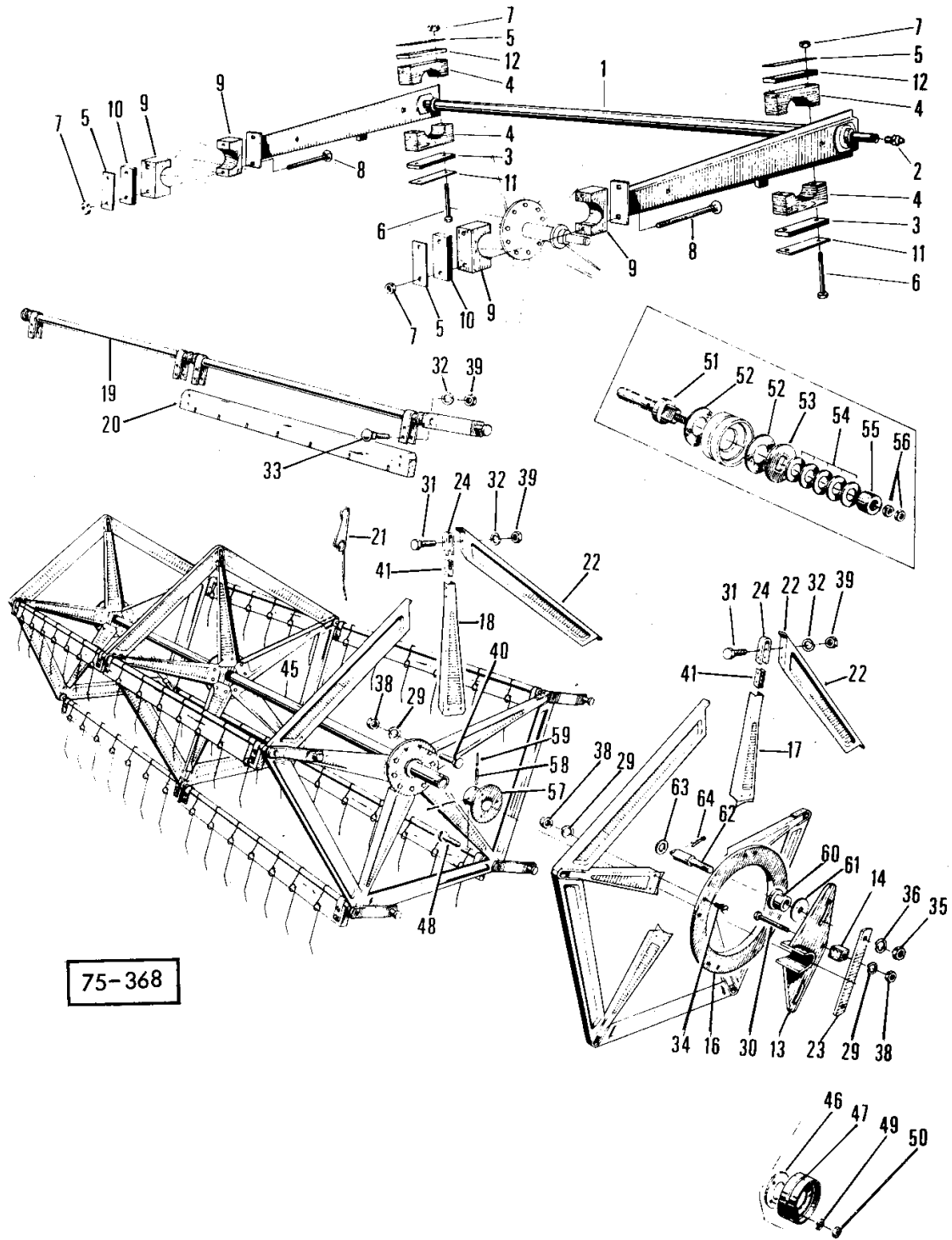
COMMANDE DE RABATTEUR  
 HASPELANTRIEB  
 REEL DRIVE



## REEL DRIVE-HYDRAULIC ADJUSTING

Item	Part Number	Qty	Description
1	401926M93	1	Rod
2	414929M1	1	Bush
3	414928M1	1	Bush
4	391402X1	1	Pin
5	339026X1	1	Washer Metric
6	916734M91	1	Lever
7	390701X1	1	Washer Metric
8	404358M91	1	Plate
	339002X1	1	Lubricator
9	339942X1	1	Bush
10	339942X1	1	Bush
11	390073X1	1	Washer Metric
12	1440477X1	1	Circlip
13	401926M93	1	Rod
14	414929M1	1	Bush
15	414928M1	1	Bush
16	401910M3	1	Pin
17	339026X1	1	Washer Metric
18	391402X1	1	Pin
19	413582M91	1	Rod
20	401454M1	1	Flange
21	339200X1	1	Bearing Ball
22	339045X1	4	Rivet
23	339027X1	1	Washer Metric
24	339058X1	1	Pin
25	1440475X1	1	Circlip
26	321203M1	1	Knotter Hook
27	321202M4	1	Spring
28	339402X1	3	Nut Metric
29	339376X1	3	Lock Washer
30	403287M1	1	Plate
31	1721307M91	1	Band
32	414928M1	1	Bush
33	403282M92	1	Lever
34	321203M1	1	Knotter Hook
35	321202M4	1	Spring
36	403285M92	1	Plate
37	1721307M91	1	Band
38	414928M1	2	Bush
39	403287M1	1	Plate
40	339376X1	3	Lock Washer
41	339402X1	3	Nut Metric
42	1721308M91	1	Band
43	414927M91	1	Rod
44	404359M91	1	Plate
45	413583M91	1	Rod

RABATTEUR ET BRAS  
 HASPEL UND HASPELTRAGGHR } N° 2876  
 REEL AND REEL CARRIER

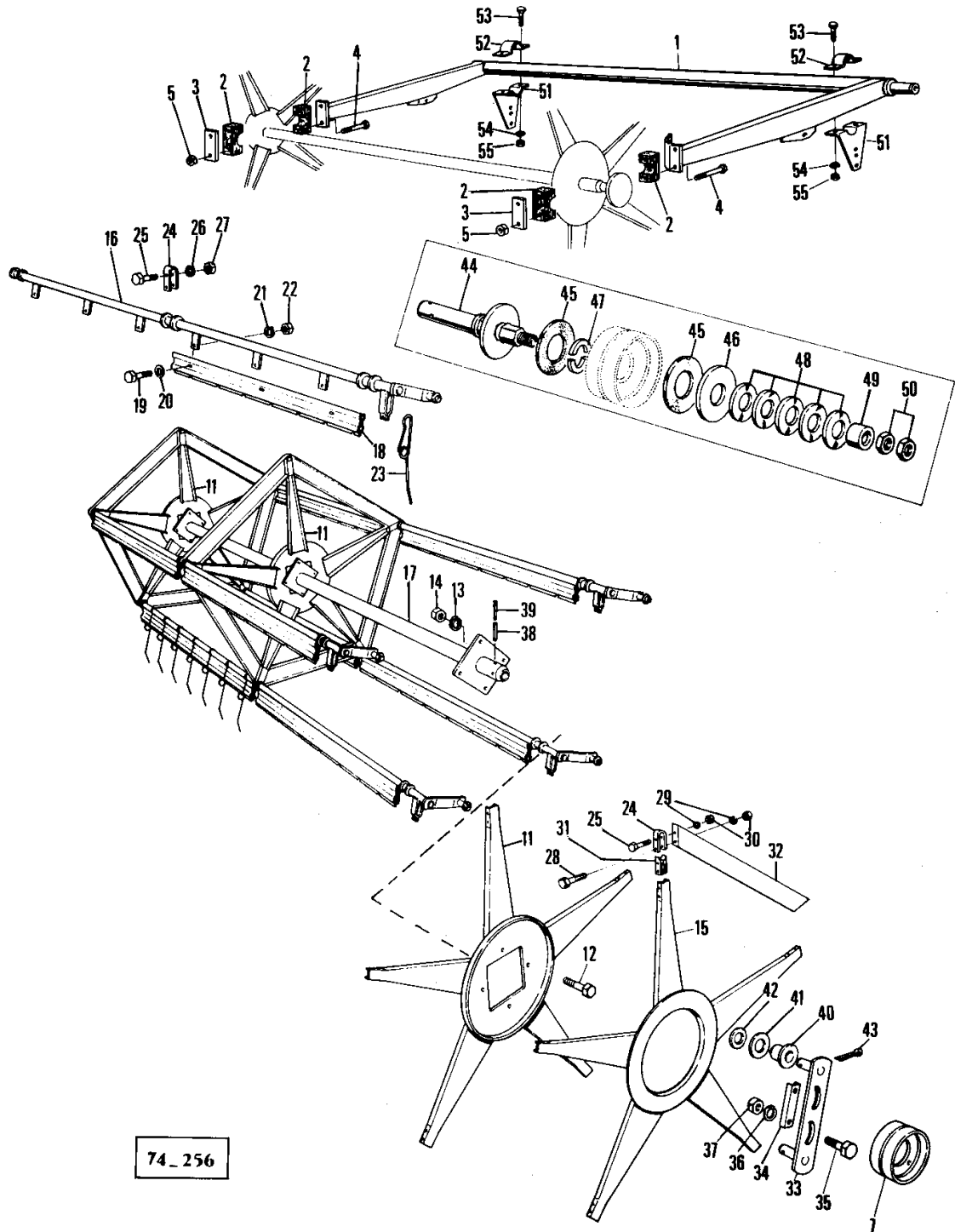


REEL AND REEL CARRIER

Item	Part Number	Qty	Description	Comments
				Up to Serial or Engine Number 2876
1	402308M93	1	Carrier	(B)
	402625M93	1	Carrier	(C)
2	339002X1	3	Lubricator	(B, C)
3	404415M1	2	Shim	(B, C)
4	401735M1	4	Bearing	(B, C)
5	402637M2	4	Plate	(B, C)
6	390636X1	4	Bolt Metric	(B, C)
7	339169X1	8	Nut Metric	(B, C)
8	339718X1	4	Bolt Metric	(B, C)
9	401734M1	4	Bearing	(B, C)
10	402638M1	2	Stiffener	(B, C)
11	402639M1	2	Plate	(B, C)
12	402638M1	2	Stiffener	(A, B, C)
13	401895M91	1	Plate	(B, C)
14	401898M1	1	Block	(B, C)
16	401903M1	1	Ring	(B, C)
17	403521M91	5	Arm	(B, C)
18	401905M2	15	Arm	(B, C)
19	401906M92	5	Carrier	(B)
	402611M92	5	Carrier	(C)
20	401739M1	10	Slat	(B)
	402613M1	10	Slat	(C)
21	320206M1	70	Tine	(B)
	320206M1	80	Tine	(C)
22	401908M1	20	Shield	(B, C)
23	320610M1	1	Strap	(B, C)
24	320603M1	20	Clamp	(B, C)
29	339374X1	41	Lock Washer	(B, C)
30	339084X1	1	Bolt Metric	(B, C)
31	339229X1	40	Bolt Metric	(B, C)
32	339375X1	80	Lock Washer	(B, C)
33	339215X1	40	Bolt	(B, C)
34	339153X1	10	Screw Metric	(B, C)
35	339623X1	2	Nut Metric	(B, C)
36	339377X1	2	Lock Washer	(B, C)
38	339169X1	41	Nut Metric	(B, C)
39	339030X1	80	Nut Metric	(B, C)
40	339124X1	30	Screw Metric	(B, C)
41	401729M1	20	Bearing	(B, C)
45	413904M92	1	Shaft	(B)
	413906M92	1	Shaft	(C)
46	411661M1	1	Washer	(B, C)
47	411659M1	1	Pulley	(B, C)
48	339451X1	3	Screw Metric	(B, C)
49	339376X1	3	Lock Washer	(B, C)
50	339402X1	3	Nut Metric	(B, C)
51	413910M1	1	Trunnion	(B, C)
52	411687M1	2	Lining	(B, C)
53	411688M1	1	Washer	(B, C)
54	1441178X1	5	Spring	(B, C)
55	411692M91	1	Bush	(B, C)
56	339592X1	2	Nut Metric	(B, C)
57	413936M91	2	Disc	(B, C)
58	390949X1	2	Pin	(B, C)
59	390950X1	2	Pin	(B, C)
60	415262M91	2	Roller	(B, C)
61	415265M1	2	Washer	(B, C)
62	415266M1	2	Bolt	(B, C)
63	390461X1	2	Washer	(B, C)
64	339133X1	2	Pin	(B, C)
				(A)
				WITH COMBINES WITHOUT BLINKING EQUIPMENT
				(B)
				8'
				(C)
				10'



RABATTEUR ET BRAS }  
 HASPEL UND HASPELTRAGROHR } N° 2877 →  
 REEL AND REEL CARRIER }

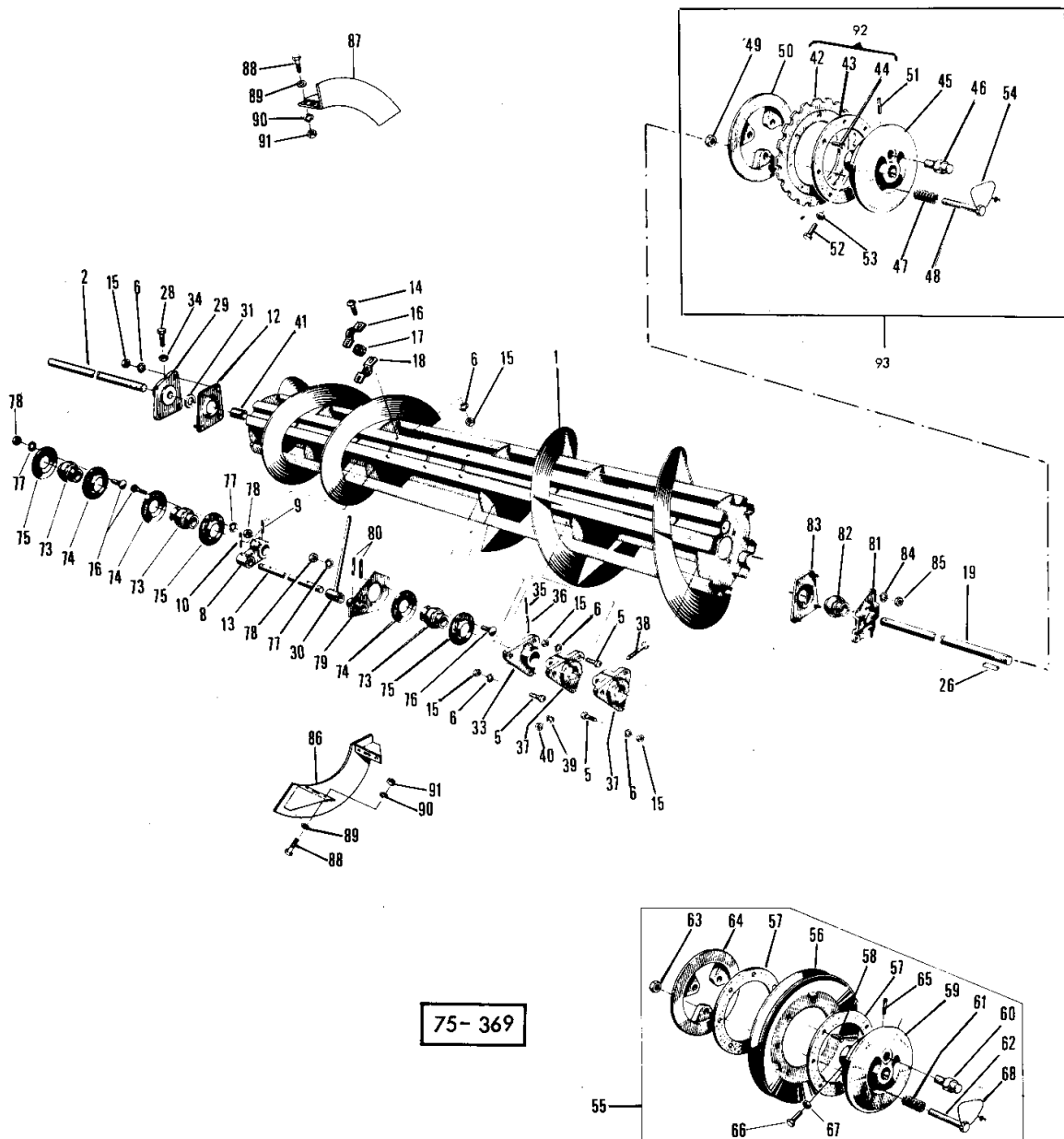


74\_256

REEL AND REEL CARRIER

Item	Part Number	Qty	Description	Comments
				From Serial or Engine Number 2877
1	1720717M92	1	Arm	(A)
	1720707M92	1	Arm	(B)
2	320712M1	4	Bearing	(A, B)
3	1720602M1	2	Plate	(A, B)
4	390246X1	4	Bolt	(A, B)
5	1441461X1	4	Nut Metric	(A, B)
7	411659M1	1	Pulley	(A, B)
11	1721435M91	3	Spider	(A, B)
12	339123X1	12	Screw Metric	(A, B)
13	339374X1	12	Lock Washer	(A, B)
14	339169X1	12	Nut Metric	(A, B)
15	1721438M91	1	Head	(A, B)
16	1720732M91	1	Tube	(A)
	1720734M91	1	Carrier	(B)
17	1720728M91	1	Shaft	(A)
	1720730M91	1	Shaft	(B)
18	1720736M1	10	Slat	(A)
	1720737M1	10	Slat	(B)
19	339761X1	30	Screw Metric	(A, B)
20	339024X1	60	Washer Metric	(A, B)
21	339374X1	30	Lock Washer	(A, B)
22	339169X1	30	Nut Metric	(A, B)
23	1721431M1	75	Tooth	(A)
	1721431M1	85	Tooth	(B)
24	1721478M1	20	Clamp	(A, B)
25	339229X1	13	Bolt Metric	(A, B)
26	339375X1	10	Lock Washer	(A, B)
27	339030X1	10	Nut Metric	(A, B)
28	391244X1	30	Bolt Metric	(A, B)
29	339375X1	30	Lock Washer	(A, B)
30	339030X1	20	Nut Metric	(A, B)
31	1721477M1	20	Block	(A, B)
32	1721434M1	15	Guard	(A, B)
33	1720593M91	1	Strap	(A, B)
34	1720607M1	1	Plate	(A, B)
35	339299X1	2	Screw Metric	(A, B)
36	339369X1	2	Lock Washer	(A, B)
37	339054X1	2	Nut Metric	(A, B)
38	390502X1	2	Pin	(A, B)
39	339414X1	2	Pin	(A, B)
40	1720606M1	2	Roller	(A, B)
41	1441080X1	2	Washer Metric	(A, B)
42	390975X1	2	Washer Metric	(A, B)
43	339133X1	2	Pin	(A, B)
44	1720566M91	2	Trunnion	(A, B)
45	411687M1	2	Lining	(A, B)
46	1720568M1	1	Plate	(A, B)
47	1722053M1	2	Spacer	(A, B)
48	1441178X1	5	Spring	(A, B)
49	411692M92	1	Bush	(A, B)
50	339592X1	2	Nut Metric	(A, B)
51	1724835M91	2	Support	(A, B)
52	1442155X1	2	Clip	(A, B)
53	391932X1	4	Screw	(A, B)
54	339376X1	4	Lock Washer	(A, B)
55	339402X1	4	Nut Metric	(A, B)
				(A)
				8'
				(B)
				10'

VIS D'ALIMENTATION  
FRONTSCHNECKE  
FRONT AUGER



75-369

FRONT AUGER

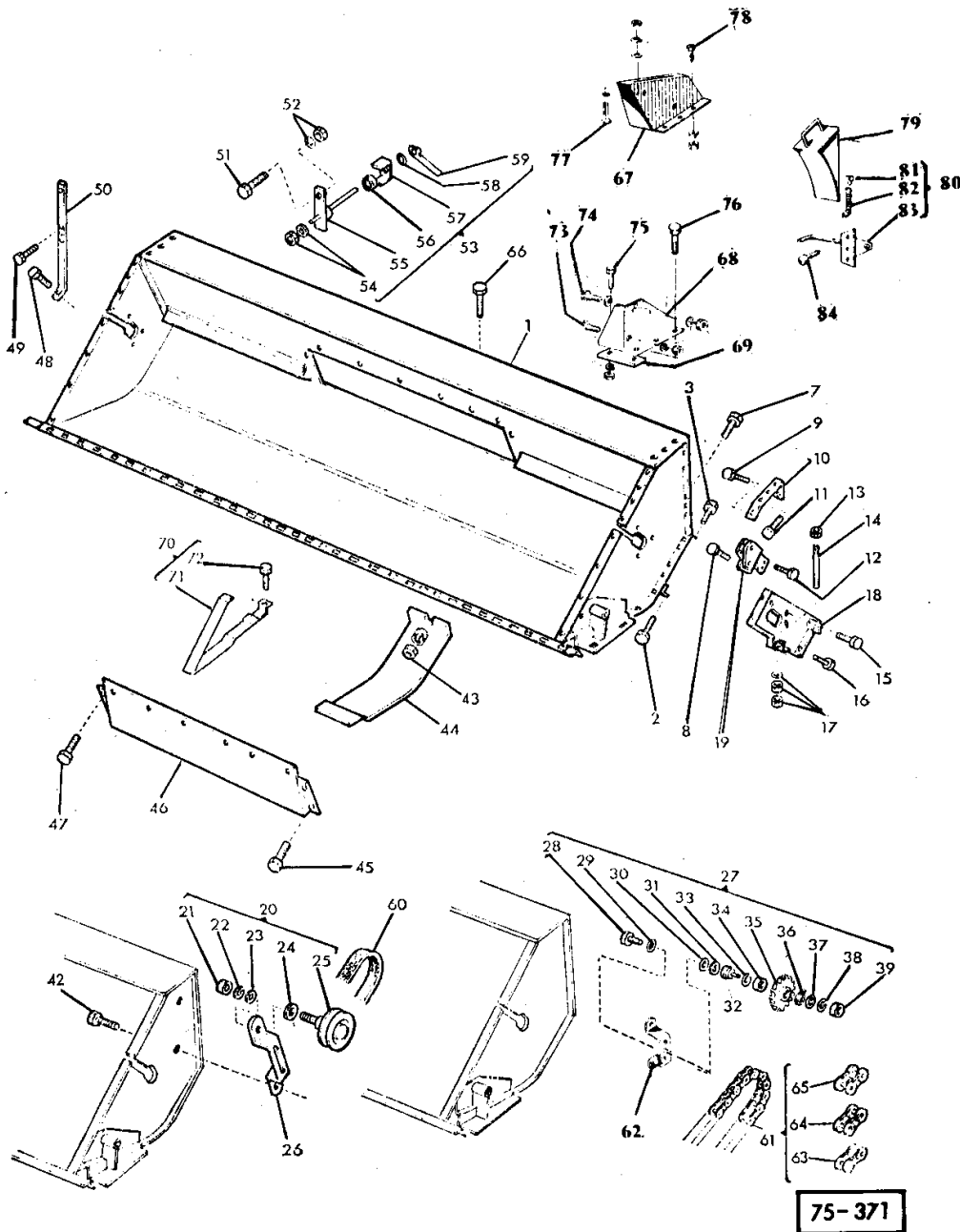
Item	Part Number	Qty	Description	Comments
1	1724082M91	1	Auger	(A, C)
	1724076M91	1	Auger	(B, C)
	1724083M91	1	Auger	(A, D)
	1723675M91	1	Auger	(B, D)
2	414787M1	1	Shaft	(C)
	415305M1	1	Shaft	(D)
5	339123X1	9	Screw Metric	(C, D)
6	339374X1	32	Lock Washer	(C, D)
8	401876M2	1	Crank	(C, D)
9	339192X1	2	Pin	(C, D)
10	339783X1	2	Pin	(C, D)
12	413565M91	1	Ring	(C, D)
13	413551M1	1	Shaft	(C, D)
14	339124X1	20	Screw Metric	(C, D)
15	339169X1	33	Nut Metric	(C, D)
16	1724084M1	10	Clamp	(C, D)
17	401733M1	10	Guide	(C, D)
18	1724085M1	10	Clamp	(C, D)
19	414786M1	1	Shaft	(C)
	415302M1	1	Shaft	(D)
26	339310X1	1	Key Parallel	(C, D)
28	339451X1	1	Screw Metric	(C, D)
29	413568M1	1	Flange	(C, D)
30	413552M91	X	Finger	(C, D)
31	390087X1	1	Washer	(C, D)
33	401893M1	1	Flange	(C, D)
34	339402X1	1	Nut Metric	(C, D)
35	390543X1	1	Pin	(C, D)
36	390383X1	1	Pin	(C, D)
37	405094M1	2	Flange	(C, D)
38	339584X1	2	Bolt Metric	(C, D)
39	339369X1	2	Lock Washer	(C, D)
40	339054X1	2	Nut Metric	(C, D)
42	413829M1	1	Sprocket	Number of teeth/spines 25 (D)
43	413830M1	2	Lining	(D)
44	390928X1	8	Rivet	(D)
45	413831M1	1	Disc	(D)
46	413832M2	1	Bolt	(D)
47	413833M1	3	Spring	(D)
48	413834M1	3	Bolt	(D)
49	339682X1	3	Nut Metric	(D)
50	413835M1	1	Disc	(D)
51	339080X1	1	Roll Pin	(D)
52	390594X1	1	Bolt Metric	(D)
53	339169X1	1	Nut Metric	(D)
54	413836M1	1	Wire	(D)
55	413898M91	1	Clutch	(C)
56	413899M91	1	Pulley	(C)
57	413830M1	2	Lining	(C)
58	390928X1	8	Rivet	(C)
59	413831M1	1	Disc	(C)
60	413832M2	1	Bolt	(C)
61	413833M1	3	Spring	(C)
62	413834M1	3	Bolt	(C)
63	339682X1	3	Nut Metric	(C)
64	413835M1	1	Disc	(C)
65	339080X1	1	Roll Pin	(C)
66	390594X1	1	Bolt Metric	(C)
67	339169X1	1	Nut Metric	(C)
68	413836M1	1	Wire	(C)
73	412260M1	3	Bearing Assy	(C, D)
74	412261M1	3	Ring	(C, D)
75	412315M1	3	Ring	(C, D)
76	339170X1	9	Screw	(C, D)
77	339374X1	9	Lock Washer	(C, D)
78	339169X1	9	Nut Metric	(C, D)
79	415303M91	1	Flange	(C, D)
80	339071X1	2	Pin	(C, D)
81	411860M1	1	Housing	(C, D)

FRONT AUGER

Item	Part Number	Qty	Description	Comments
82	412260M1	1	Bearing Assy	(C, D)
83	411861M91	1	Ring	(C, D)
				Left Hand
84	339374X1	3	Lock Washer	(C, D)
85	339169X1	3	Nut Metric	(C, D)
86	1723908M91	1	Sector	(C, D)
				Left Hand
87	1723911M91	1	Flight	(C, D)
				Right Hand
88	390379X1	8	Bolt Metric	(C, D)
89	391166X1	8	Washer Metric	(C, D)
90	339374X1	8	Lock Washer	(C, D)
91	339169X1	8	Nut Metric	(C, D)
92	413828M91	1	Sprocket	(D)
93	916001M91	1	Clutch	(D)
				(A)
				Up to Serial or Engine Number 4436
				(B)
				From Serial or Engine Number 4437
				(C)
				8'
				(D)
				10'

24

TABLE  
TISCH  
TABLE



TABLE

Item	Part Number	Qty	Description	Comments
1	413491M92	1	Table	(A, E)
	1720518M93	1	Table	(B, E)
	413823M92	1	Table	(A, F)
	1720234M96	1	Table	(B, F)
2	391134X1	6	Bolt Metric	(E, F)
3	339123X1	9	Screw Metric	(E)
	339123X1	12	Screw Metric	(F)
	339374X1	9	Lock Washer	(E)
	339374X1	12	Lock Washer	(F)
	339169X1	9	Nut Metric	(E)
	339169X1	12	Nut Metric	(F)
	339761X1	11	Screw Metric	(E, F)
	339374X1	11	Lock Washer	(E, F)
	339169X1	11	Nut Metric	(E, F)
	339123X1	4	Screw Metric	(E, F)
	339374X1	4	Lock Washer	(E, F)
	339169X1	4	Nut Metric	(E, F)
	339123X1	4	Screw Metric	(E, F)
	339374X1	4	Lock Washer	(E, F)
	339169X1	4	Nut Metric	(E, F)
10	402633M1	2	Angle	(E, F)
11	339761X1	1	Screw Metric	(E, F)
	339374X1	1	Lock Washer	(E, F)
12	339169X1	1	Nut Metric	(E, F)
	339666X1	4	Screw Metric	(E, F)
	339375X1	4	Lock Washer	(E, F)
	339030X1	4	Nut Metric	(E, F)
13	339054X1	2	Nut Metric	(E, F)
14	413570M1	2	Bolt	(E, F)
15	339560X1	4	Screw Metric	(E, F)
	339375X1	4	Lock Washer	(E, F)
	339030X1	4	Nut Metric	(E, F)
16	339124X1	4	Screw Metric	(E, F)
	339374X1	4	Lock Washer	(E, F)
	339169X1	4	Nut Metric	(E, F)
17	339026X1	4	Washer Metric	(E, F)
	339054X1	4	Nut Metric	(E, F)
18	413562M91	1	Plate	(E, F)
				Left Hand
	413559M91	1	Plate	(E, F)
				Right Hand
19	414024M91	1	Support	(E, F)
				Left Hand
	404407M91	1	Suspension	(E, F)
				Right Hand
20	416579M91	1	Pulley	(E)
21	339070X1	1	Nut	(E)
22	339380X1	1	Washer	(E)
23	339072X1	1	Washer	(E)
24	416584M1	1	Washer	(E)
25	416580M91	1	Pulley	(E)
26	412377M1	1	Support	(E)
27	404854M93	1	Tensioner	(F)
28	390647X1	1	Bolt Metric	(F)
29	339072X1	1	Washer	(F)
30	390670X1	X	Washer Metric	04" (F)
31	390672X1	X	Washer Metric	08" (F)
32	404737M3	1	Bush	(F)
33	339657X1	1	Circlip	(F)
34	339932X1	1	Bearing Assy	(F)
35	404726M91	1	Sprocket	(F)
				Number of teeth/spines 10
36	339657X1	1	Circlip	(F)
37	391158X1	1	Washer Metric	(F)
38	339376X1	1	Lock Washer	(F)
39	339402X1	1	Nut Metric	(F)
42	339123X1	2	Screw Metric	(E)
	339374X1	2	Lock Washer	(E)

TABLE

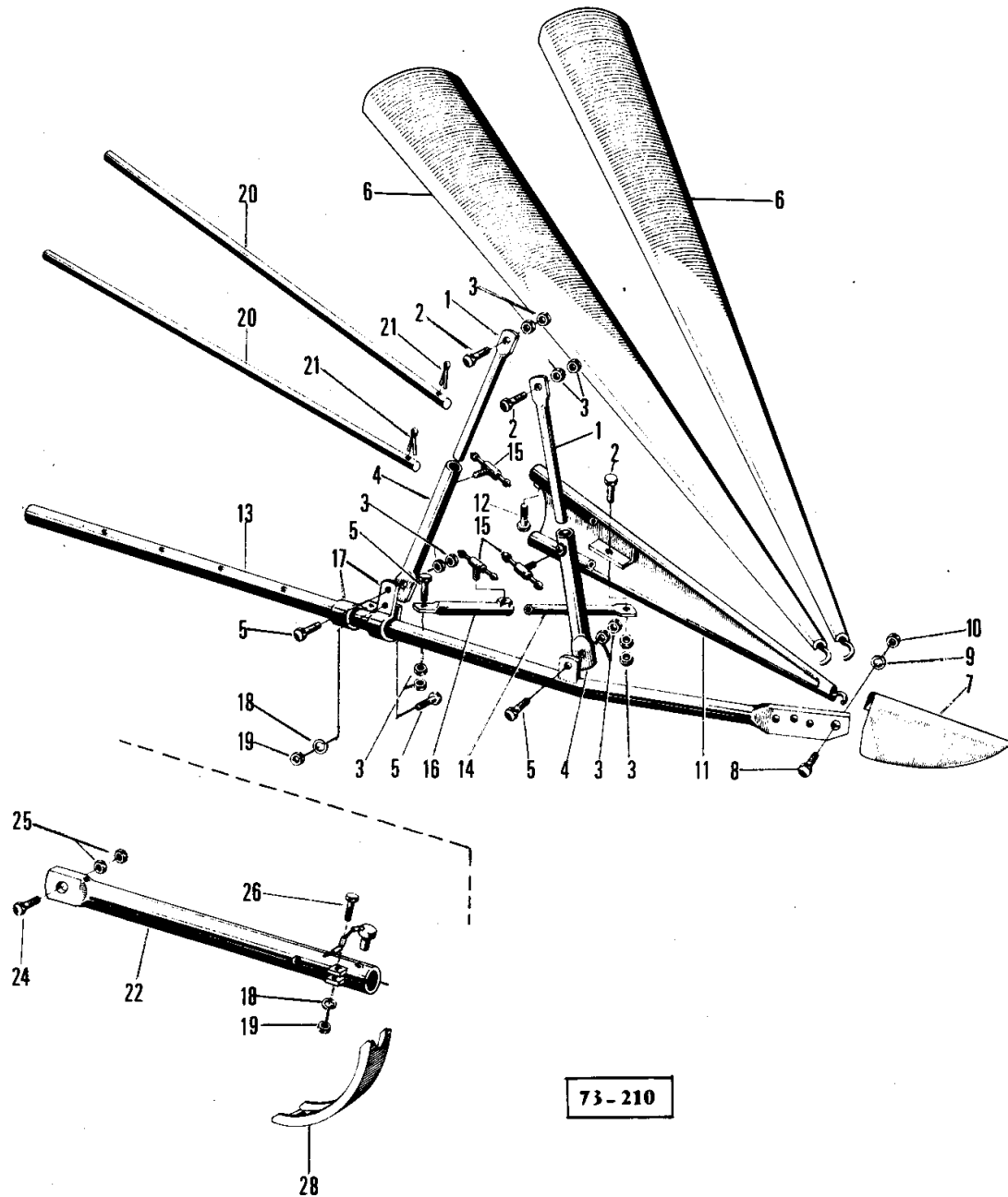
Item	Part Number	Qty	Description	Comments
43	339169X1	2	Nut Metric	(E)
	339402X1	6	Nut Metric	(E, F)
	339376X1	6	Lock Washer	(E, F)
44	391396X1	6	Washer Metric	(E, F)
	916856M1	6	Shoe	(E, F)
45	339124X1	4	Screw Metric	(E, F)
	339374X1	4	Lock Washer	(E, F)
46	339169X1	4	Nut Metric	(E, F)
	402636M1	1	Cover	(E, F)
47	339560X1	5	Screw Metric	(E, F)
	339375X1	5	Lock Washer	(E, F)
	339030X1	5	Nut Metric	(E, F)
48	339123X1	2	Screw Metric	(E, F)
	339374X1	2	Lock Washer	(E, F)
	339169X1	2	Nut Metric	(E, F)
49	339761X1	3	Screw Metric	(E, F)
	339374X1	3	Lock Washer	(E, F)
	339169X1	3	Nut Metric	(E, F)
50	402632M1	1	Brace	(E, F)
	402642M2	1	Reinforcement	(E, F)
			Left Hand	
			Right Hand	
51	339337X1	1	Screw Metric	(E, F)
52	339374X1	1	Lock Washer	(E, F)
	339169X1	1	Nut Metric	(E, F)
53	412439M91	1	Lever	(E, F)
54	339402X1	1	Nut Metric	(E, F)
	339376X1	1	Lock Washer	(E, F)
55	412440M91	1	Support	(E, F)
56	412442M1	1	Segment	(E, F)
57	412443M1	1	Bracket	(E, F)
58	339025X1	1	Washer Metric	(E, F)
59	412444M1	1	Handle	(E, F)
60	418209M1	1	Belt	(E)
61	413840M91	1	Chain	(F)
62	413839M1	1	Support	(F)
63	329312M91	26	Link	(F)
64	329314M91	1	Link	(F)
65	329313M91	25	Link	(F)
66	339081X1	10	Screw Metric	(E)
	1440287X1	10	Washer Metric	(E)
	339376X1	10	Lock Washer	(E)
	339402X1	10	Nut Metric	(E)
67	413499M1	1	Bearer	(C, E, F)
	402640M1	1	Support	(C, E, F)
			Left Hand	
			Right Hand	
68	1720720M1	1	Support	(D, E, F)
	1720719M1	1	Support	(D, E, F)
			Left Hand (E, F)	
			Right Hand	
69	1724018M2	2	Plate	(E)
70	1723866M91	X	Ear Lifter	(E, F)
71	1723858M91	1	Ear Lifter	(E, F)
72	390122X1	1	Bolt Metric	(E, F)
	1440287X1	6	Washer Metric	(E, F)
	339376X1	2	Lock Washer	(E, F)
	339402X1	2	Nut Metric	(E, F)
73	339299X1	2	Screw Metric	(D, E, F)
	339882X1	2	Washer	(D, E, F)
	339369X1	2	Lock Washer	(D, E, F)
74	339054X1	2	Nut Metric	(D, E, F)
	339299X1	2	Screw Metric	(D, E, F)
	339882X1	2	Washer	(D, E, F)
	339369X1	2	Lock Washer	(D, E, F)
75	339054X1	2	Nut Metric	(D, E, F)
	339123X1	1	Screw Metric	(D, E, F)
	339374X1	1	Lock Washer	(D, E, F)
76	339169X1	1	Nut Metric	(D, E, F)
	339008X1	6	Bolt Metric	(D, E, F)



TABLE

Item	Part Number	Qty	Description	Comments
	339374X1	10	Lock Washer	(D, E)
	339374X1	6	Lock Washer	(D, F)
	339169X1	10	Nut Metric	(D, E)
	339169X1	6	Nut Metric	(D, F)
77	339123X1	2	Screw Metric	(C, E, F)
	339817X1	4	Washer Metric	(C, E, F)
	339374X1	2	Lock Washer	(C, E, F)
	339169X1	2	Nut Metric	(C, E, F)
78	339761X1	6	Screw Metric	(C, E, F)
	339374X1	6	Lock Washer	(C, E, F)
	339169X1	6	Nut Metric	(C, E, F)
79	419049M1	1	Wedge	(E, F)
80	419037M91	1	Bracket	(E, F)
81	322979M1	1	Knotter Hook	(E, F)
82	419044M1	1	Spring	(E, F)
83		1		Not serviced, order 80 (E, F)
84	339761X1	3	Screw Metric	(E, F)
	339374X1	3	Lock Washer	(E, F)
	339169X1	3	Nut Metric	(E, F)
				(A)
				Up to Serial or Engine Number 3781
				(B)
				From Serial or Engine Number 3782
				(C)
				Up to Serial or Engine Number 2876
				(D)
				From Serial or Engine Number 2877
				(E)
				8'
				(F)
				10'

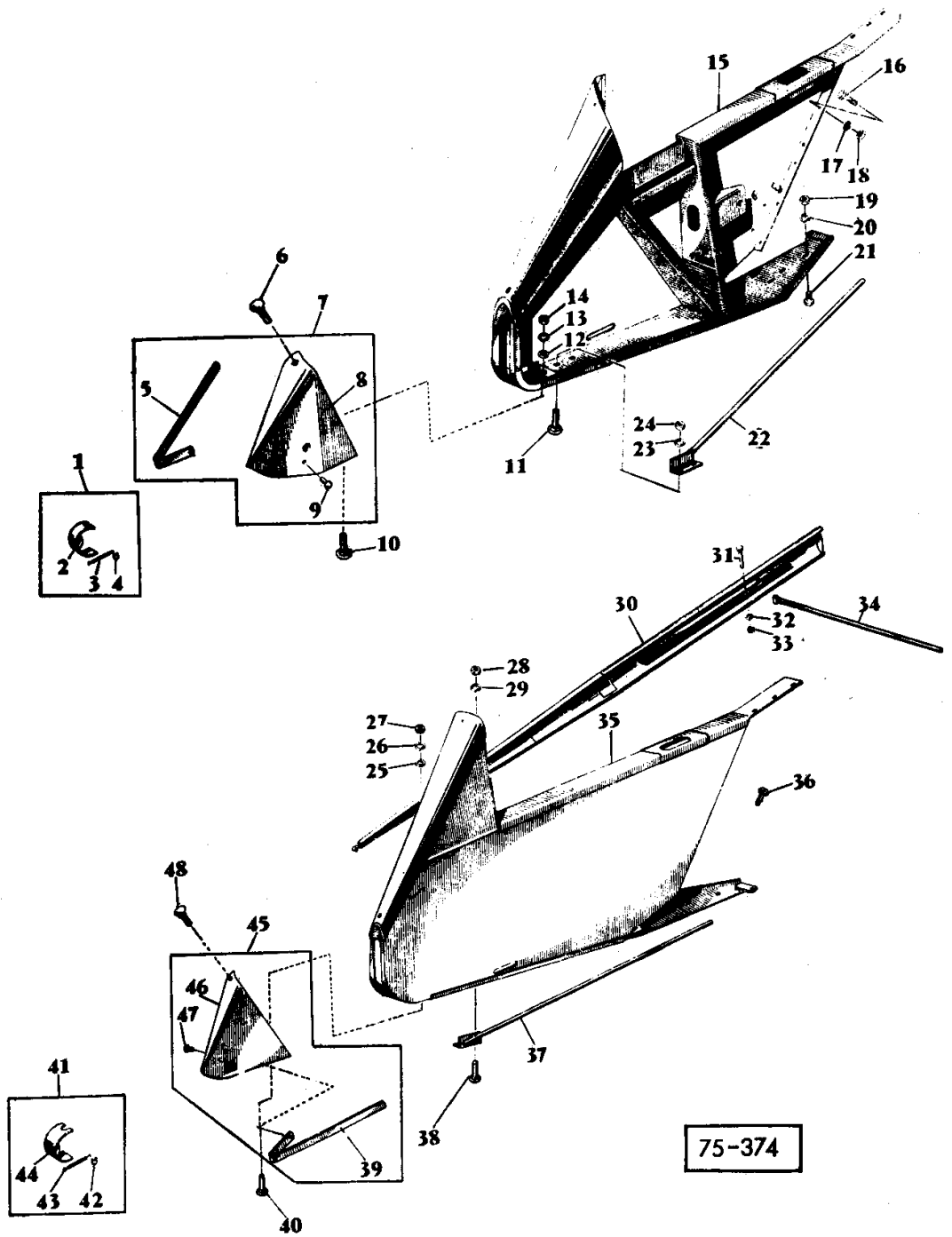
PRE-DIVISEUR  
 VORSATZABTEILER  
 EXTENSION DIVIDERS



**DIVIDER EXTENSION**

<b>Item</b>	<b>Part Number</b>	<b>Qty</b>	<b>Description</b>
1	404480M1	2	Tube
2	339139X1	3	Screw Metric
3	339186X1	12	Nut Metric
4	404481M91	2	Tube
5	339091X1	5	Screw
6	905081M91	2	Cone
7	404468M91	1	Shoe
8	339324X1	2	Screw
9	339374X1	2	Lock Washer
10	339169X1	2	Nut Metric
11	905079M91	1	Cone
12	339124X1	2	Screw Metric
13	414906M91	1	Tube
14	404484M1	1	Tube
15	404596M91	3	Bolt
16	404485M91	1	Tube
17	404491M91	2	Clamp
18	339369X1	3	Lock Washer
19	339054X1	3	Nut Metric
20	404720M1	2	Clevis Pin
21	390446X1	2	Pin
22	404746M91	1	Tube
24	391196X1	1	Bolt Metric
25	339495X1	2	Nut
26	339053X1	1	Bolt Metric
28	404743M1	1	Plate

DIVISEURS  
 ABTEILER  
 DIVIDERS

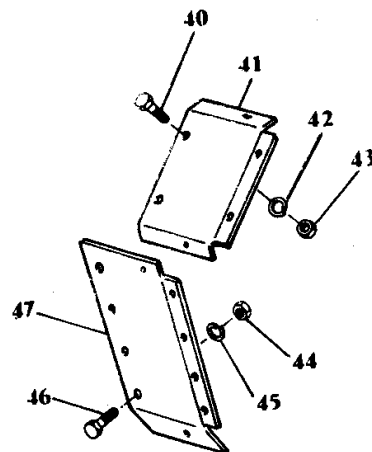
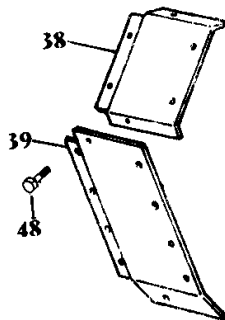
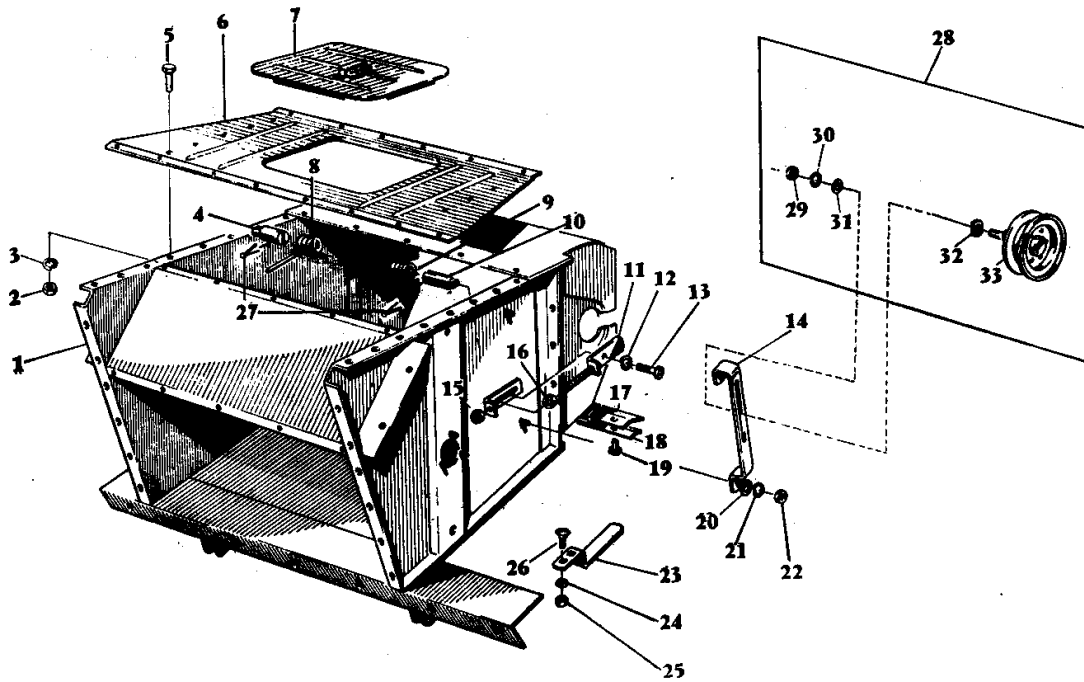


DIVIDER

Item	Part Number	Qty	Description	Comments
1	404790M92	1	Guard	
2	404791M92	1	Protector	
3	326639M1	1	Spring	
4	322979M1	1	Knotter Hook	
5	404765M1	1	Bracket	
6	339170X1	1	Screw	
	339534X1	1	Washer Metric	
	339374X1	1	Lock Washer	
	339169X1	1	Nut Metric	
7	404559M92	1	Shoe	Left Hand
8		1		Not serviced, order 7
9	391489X1	2	Rivet	
10	339170X1	1	Screw	
11	339170X1	2	Screw	
12	339056X1	1	Washer Metric	
	376818X1	1	Washer	
13	339374X1	1	Lock Washer	
14	339169X1	1	Nut Metric	
15	404547M93	1	Divider	Left Hand
16	339228X1	8	Screw Metric	
17	339374X1	8	Lock Washer	
18	339169X1	8	Nut Metric	
19	339402X1	6	Nut Metric	
20	339376X1	6	Lock Washer	
21	391772X1	6	Bolt Metric	
22	404562M92	1	Tube	Left Hand
23	339374X1	2	Lock Washer	
24	339169X1	2	Nut Metric	
25	339056X1	1	Washer Metric	
	376818X1	1	Washer	
26	339374X1	1	Lock Washer	
27	339169X1	1	Nut Metric	
28	339169X1	2	Nut Metric	
29	339374X1	2	Lock Washer	
30	905082M91	1	Fender	
31	339019X1	1	Bolt Metric	
32	339376X1	1	Lock Washer	
33	339402X1	1	Nut Metric	
34	404642M91	1	Tube	
35	404444M93	1	Divider	Right Hand
36	339081X1	2	Screw Metric	
	339376X1	2	Lock Washer	
	339042X1	2	Screw Metric	
37	404461M92	1	Tube	Right Hand
38	339170X1	1	Screw	
39	404765M1	1	Bracket	
40	339170X1	1	Screw	
41	404794M92	1	Guard	Right Hand
42	322979M1	1	Knotter Hook	
43	326639M1	1	Spring	
44	404791M92	1	Protector	
45	404458M92	1	Divider	Right Hand
46		1		Not serviced, order 45
47	391489X1	2	Rivet	
48	339170X1	1	Screw	
	339534X1	1	Washer Metric	
	339374X1	1	Lock Washer	
	339169X1	1	Nut Metric	

32

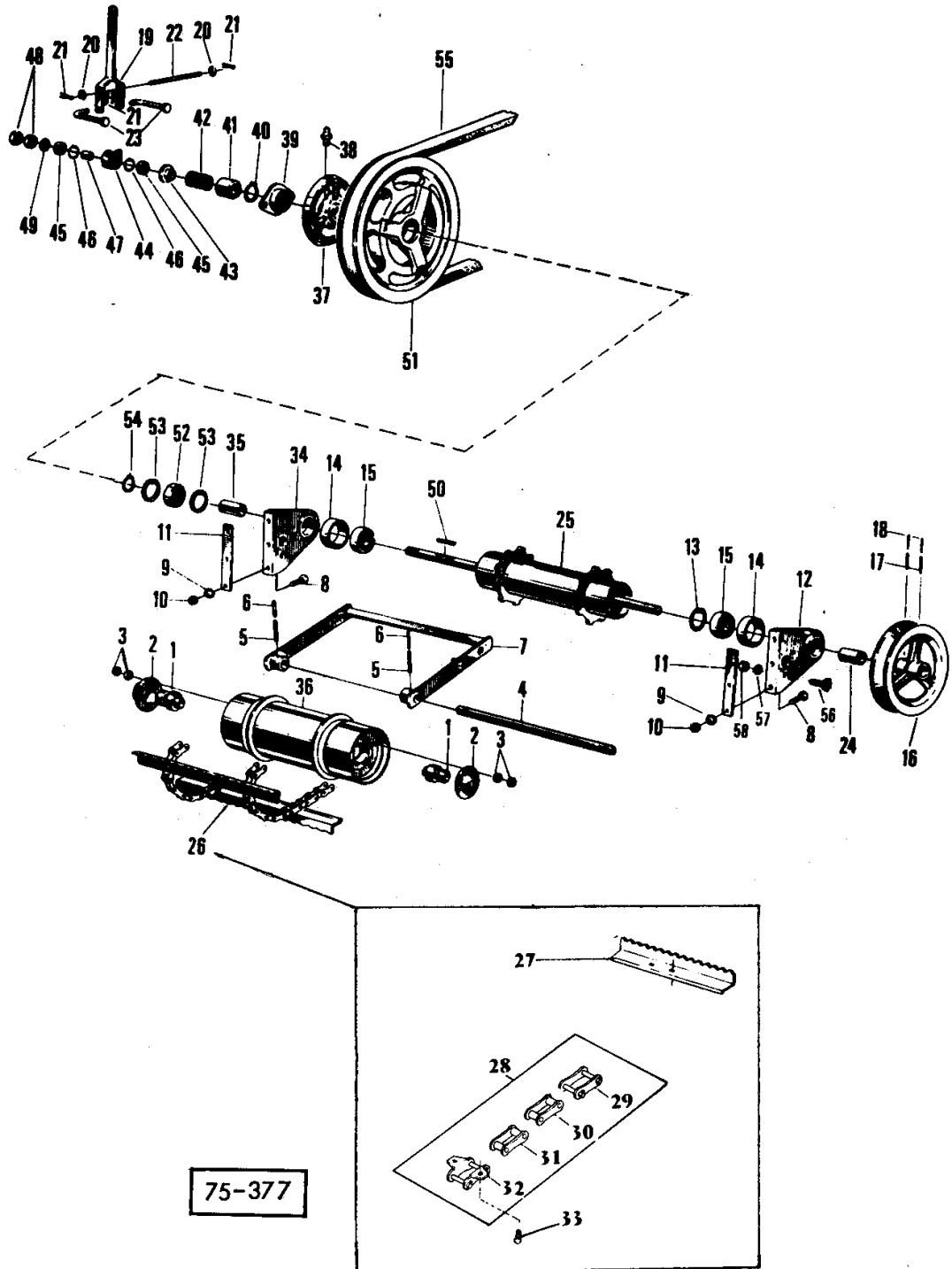
ELEVATEUR A RECOLTE - CAISSON  
 EINZUGSELEVATOR - KANAL  
 FEEDER ELEVATOR - HOUSING



75-376

Item	Part Number	Qty	Description
1	414747M93	1	Boot
2	339169X1	14	Nut Metric
3	339056X1	14	Washer Metric
	339374X1	14	Lock Washer
4	412251M2	2	Trunnion
5	390379X1	14	Bolt Metric
6	1724070M1	1	Plate
7	1721518M91	1	Door
8	412256M1	1	Spring
9	412255M1	1	Spring
10	412251M2	2	Trunnion
11	412252M91	2	Angle
12	339369X1	2	Lock Washer
13	339299X1	2	Screw Metric
14	417973M1	1	Support
15	339402X1	2	Nut Metric
16	339402X1	2	Nut Metric
17	401240M1	1	Seal
18	401241M1	1	Bracket
19	338828X1	14	Rivet
20	339374X1	2	Lock Washer
21	391166X1	2	Washer Metric
22	339169X1	2	Nut Metric
23	412217M1	2	Guide
24	339374X1	4	Lock Washer
25	339169X1	4	Nut Metric
26	339170X1	4	Screw
27	391423X1	2	Pin
28	416579M91	1	Pulley
29	339070X1	1	Nut
30	339380X1	1	Washer
31	339072X1	1	Washer
32	416584M1	1	Washer
33	416580M91	1	Pulley
38	1603622M91	1	Shield
39	1723402M1	1	Plate
40	339124X1	12	Screw Metric
41	1603621M91	1	Shield
42	339374X1	12	Lock Washer
43	339169X1	12	Nut Metric
44	339169X1	12	Nut Metric
45	339374X1	12	Lock Washer
46	339124X1	12	Screw Metric
47	1723400M1	1	Plate
48	339666X1	2	Screw Metric
	339375X1	2	Lock Washer
	339692X1	2	Washer
	339030X1	2	Nut Metric

ELEVATEUR A RECOLTE - TAMBOUR CHAÎNE  
 EINZUGSELEVATOR - TROMMEL FORDERKETTE  
 FEEDER ELEVATOR - DRUM CHAIN



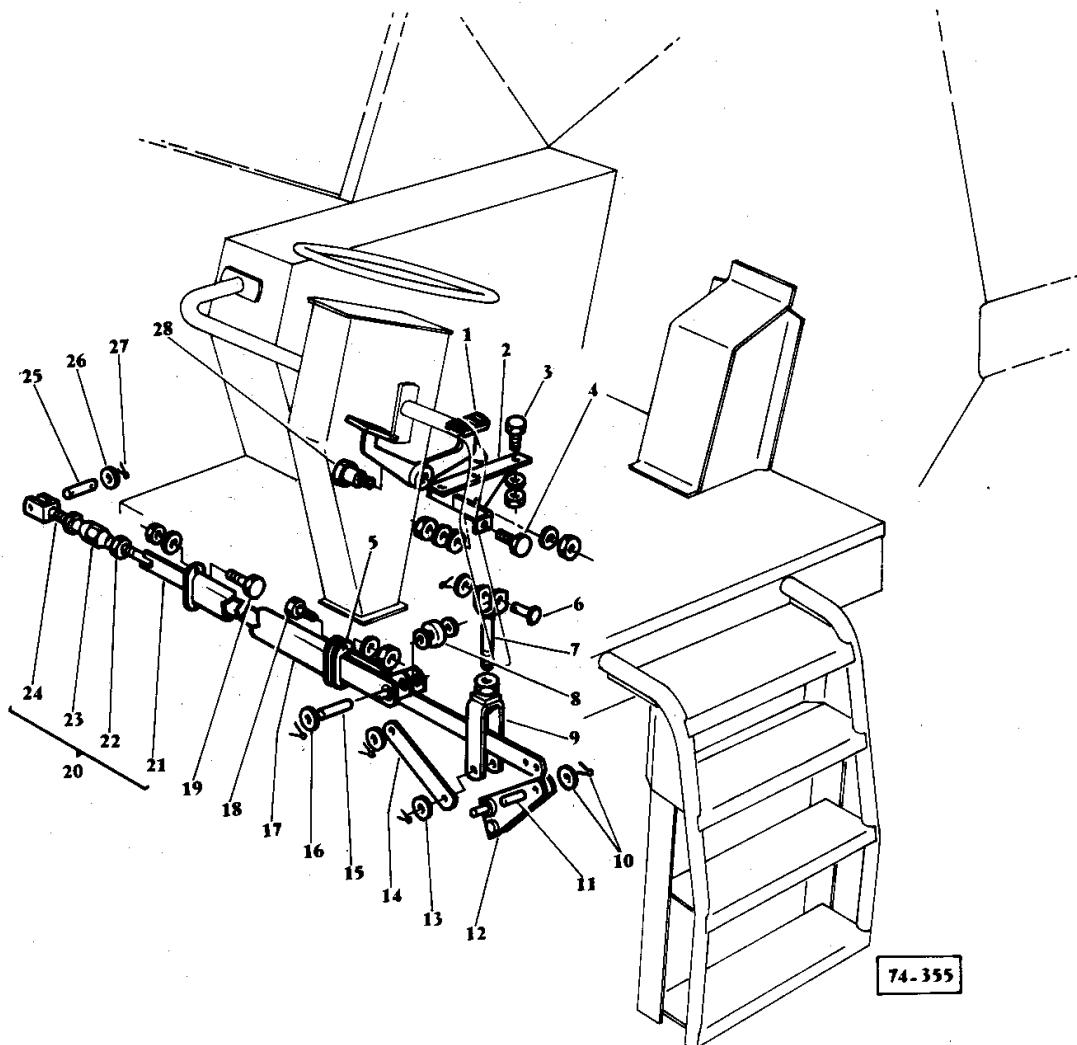


Item	Part Number	Qty	Description	Comments
DRUM CHAIN				
1	412243M1	2	Bearing	
2	412245M1	2	Ring	
3	339169X1	12	Nut Metric	
4	412242M1	1	Axle	
5	339541X1	2	Peg	
6	339311X1	2	Roll Pin	
7	412246M91	1	Support	
8	339401X1	6	Screw Metric	
9	339376X1	6	Lock Washer	
10	339402X1	6	Nut Metric	
11	404232M1	2	Plate	
12	417969M91	1	Bracket	Left Hand
13	1440480X1	1	Circlip	
14	415322M1	2	Ring	
15	415331M1	2	Bearing	
16	417968M1	1	Pulley	(A)
	609881M1	1	Pulley	(B)
17	339192X1	2	Pin	(A)
	339193X1	2	Pin	(B)
18	390533X1	2	Pin	(A)
	339248X1	2	Pin	(B)
19	417971M91	2	Lever	
20	339025X1	2	Washer Metric	
21	391401X1	4	Pin	
22	390673X1	1	Pin	
23	417970M1	2	Knotter Hook	
24	417967M1	1	Bush	
25	417978M91	1	Arm	(A)
	609882M91	1	Drum	(B)
26	413930M91	1	Chain	
27	413931M1	11	Strap	
28	413932M91	2	Chain	
29	339797M91	2	Link	
30	329796M91	22	Link	
31	329795M91	46	Link	
32	329761M91	22	Link	
33	391138X1	44	Rivet	
34	417966M91	1	Bracket	Right Hand
35	417965M1	1	Bush	
36	413933M91	1	Drum	
37	417958M92	1	Pulley	
38	339004X1	1	Greaser	
39	417961M91	1	Housing	
	391347X1	1	Bearing Ball	
40	1440873X1	1	Circlip	
41	404181M1	1	Cap	
42	404282M1	1	Spring	
43	417964M1	1	Seat	
44	416442M1	1	Bearing	
45	1440872X1	2	Bearing Ball	
46	339895X1	2	Ring	
47	339893X1	1	Bush	
48	339592X1	2	Nut Metric	
49	401276M1	1	Washer	
50	339590X1	1	Key	
51	417957M1	1	Pulley	
52	339583X1	1	Bearing Assy	
53	1440479X1	2	Circlip	
54	390939X1	1	Segment	
55	417974M1	1	Belt	(C)
	1724154M1	1	Belt	(D)
56	339509X1	4	Screw Metric	
57	339376X1	4	Lock Washer	
58	339402X1	4	Nut Metric	
				(A)
				Up to Serial or Engine Number 4874
				(B)
				From Serial or Engine Number 4875
				(C)

**MASSEY FERGUSON****MF 187 COMBINE - 419195****419195****DRUM, CHAIN - DRUM CHAIN****35**

Item	Part Number	Qty	Description	Comments
				Up to Serial or Engine Number 4436 (D)
				From Serial or Engine Number 4437

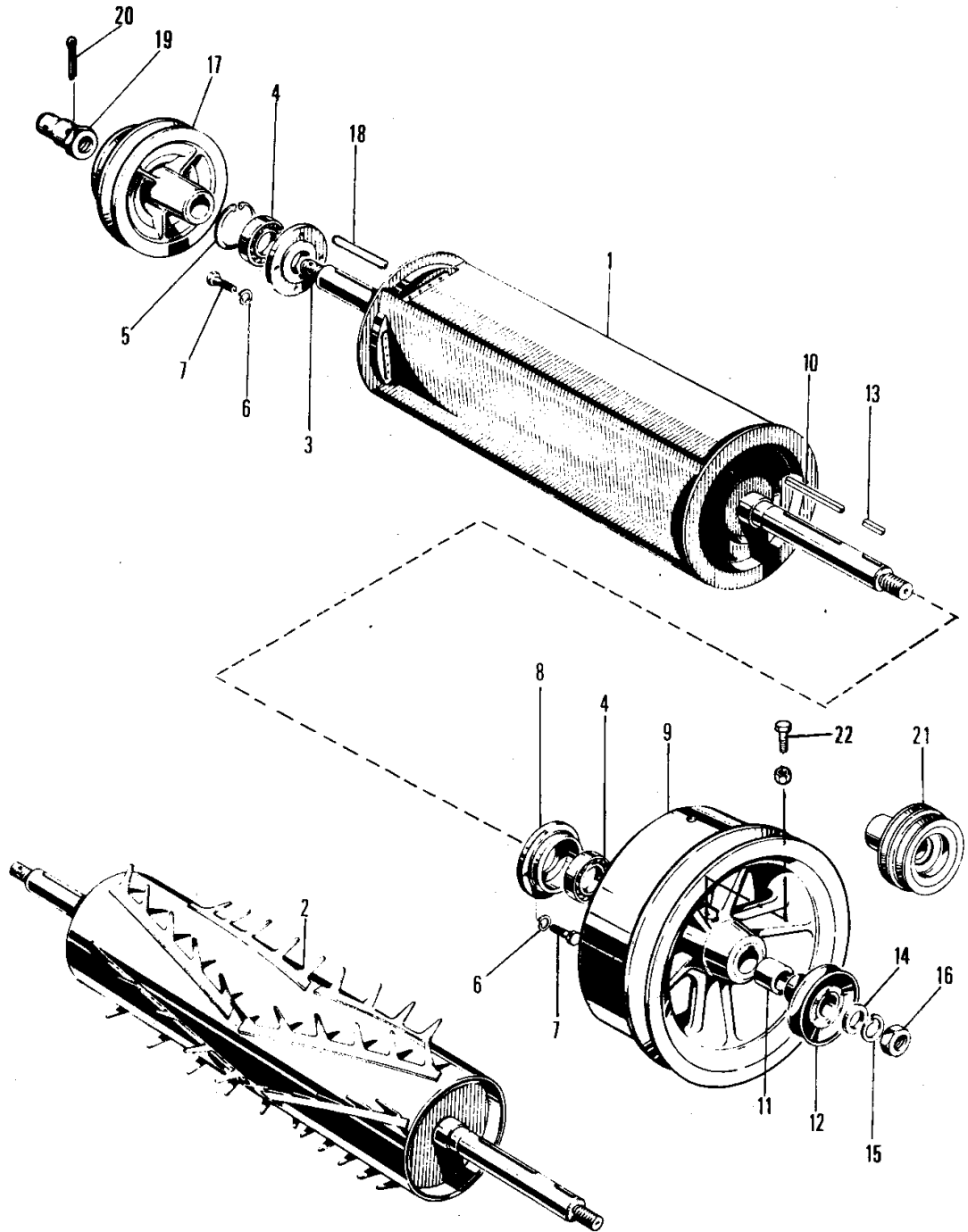
DEBRAYAGE DE TABLE  
TISCHKUPPLUNG  
TABLE CLUTCH



**TABLE CLUTCH**

Item	Part Number	Qty	Description
1	418632M1	1	Pedal
2	419141M91	1	Bearer
3	390379X1	3	Bolt Metric
	339374X1	3	Lock Washer
	339169X1	3	Nut Metric
4	339123X1	1	Screw Metric
	391166X1	1	Washer Metric
	339374X1	1	Lock Washer
	339169X1	1	Nut Metric
5	418434M91	1	Bearing Carrier
6	390818X1	1	Pin
	339024X1	1	Washer Metric
	339087X1	1	Pin
7	417747M91	1	Fork
	339169X1	1	Nut Metric
8	1722027M1	1	Roller
9	412917M91	1	Fork
10	339024X1	1	Washer Metric
	339087X1	1	Pin
11	339651X1	1	Pin
12	404025M91	1	Lever
13	339817X1	4	Washer Metric
	339087X1	4	Pin
14	401223M1	2	Plate
15	339512X1	1	Pin
16	339025X1	2	Washer Metric
	391401X1	2	Pin
17	418438M91	1	Tube
18	339761X1	2	Screw Metric
	339374X1	2	Lock Washer
	339169X1	2	Nut Metric
19	339123X1	2	Screw Metric
	339374X1	2	Lock Washer
	339169X1	2	Nut Metric
20	417744M91	1	Draglink
21	417745M91	1	Rod
22	339537X1	1	Nut
	339054X1	1	Nut Metric
23	339880X1	1	Turnbuckle
24	403242M91	1	Fork
25	339791X1	1	Pin
26	339534X1	1	Washer Metric
27	390446X1	1	Pin
28	401979M1	1	Trunnion
	339380X1	1	Washer
	339571X1	1	Nut Metric

TAMBOUR DEFLECTEUR  
 HINTERER SCHLAGER  
 REAR BEATER



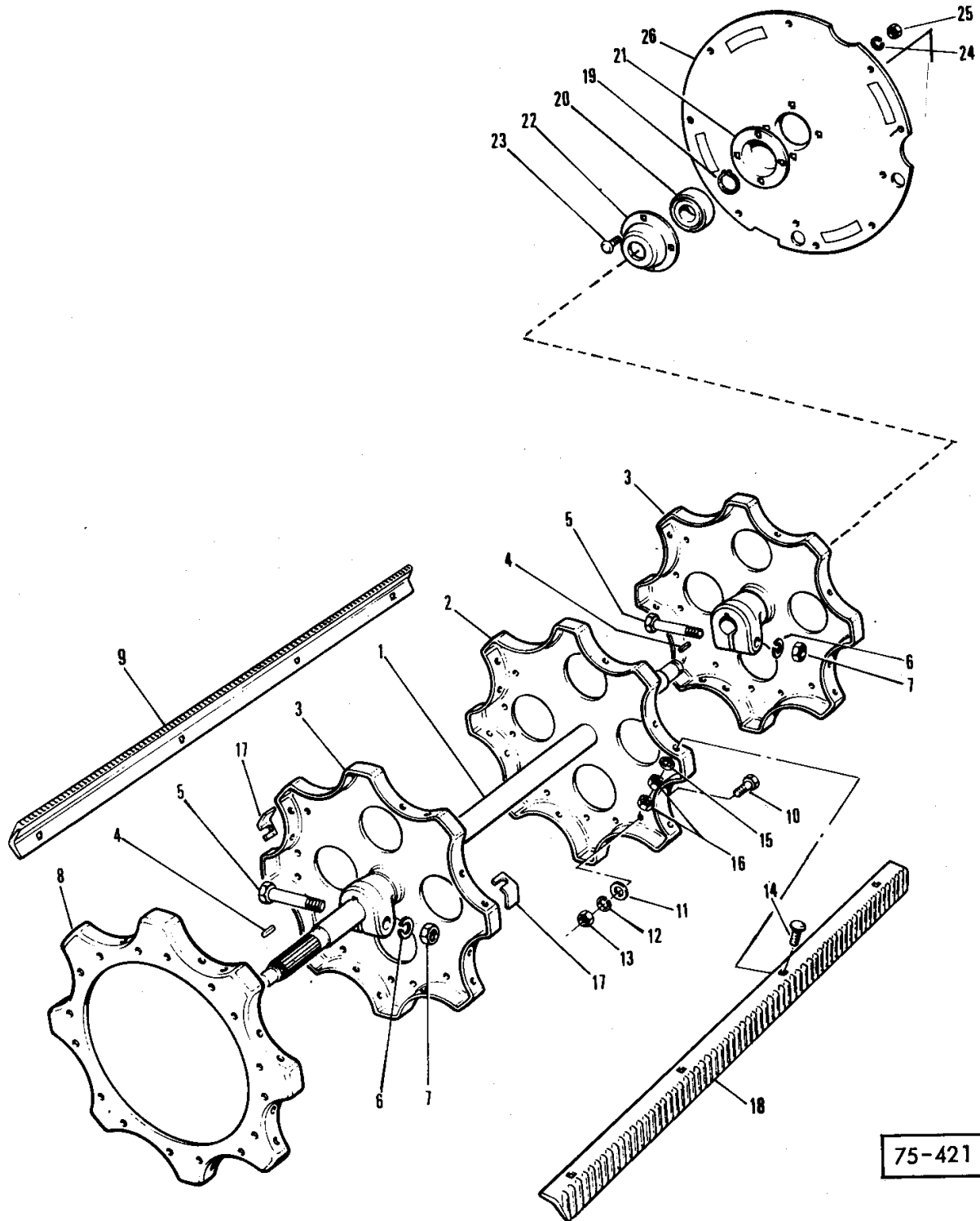
73-214.

REAR BEATER

Item	Part Number	Qty	Description	Comments
1	417780M92	1	Beater	
2	417777M92	1	Beater	
3	413542M1	1	Housing	
4	391068X1	2	Bearing Assy	
5	339289X1	1	Rivet	
6	339374X1	8	Lock Washer	
7	339124X1	8	Screw Metric	
8	414885M1	1	Housing	
9	417530M1	1	Pulley	
10	390772X1	1	Key	
11	417781M1	1	Spacer	
12	417879M1	1	Pulley	
13	390611X1	1	Key Door	
14	390609X1	1	Washer Metric	
16	339089X1	1	Nut Metric	
17	417782M1	1	Pulley	
18	390612X1	1	Key Door	
19	417783M1	1	Nut	
20	390450X1	1	Pin	
21	419400M1	1	Pulley	(A)
22	390655X1	1	Bolt Metric	
	339402X1	1	Nut Metric	(A)

FOR BAGGER TANKER MACHINE

BATTEUR  
DRESCHTROMMEL  
CYLINDER



75-421

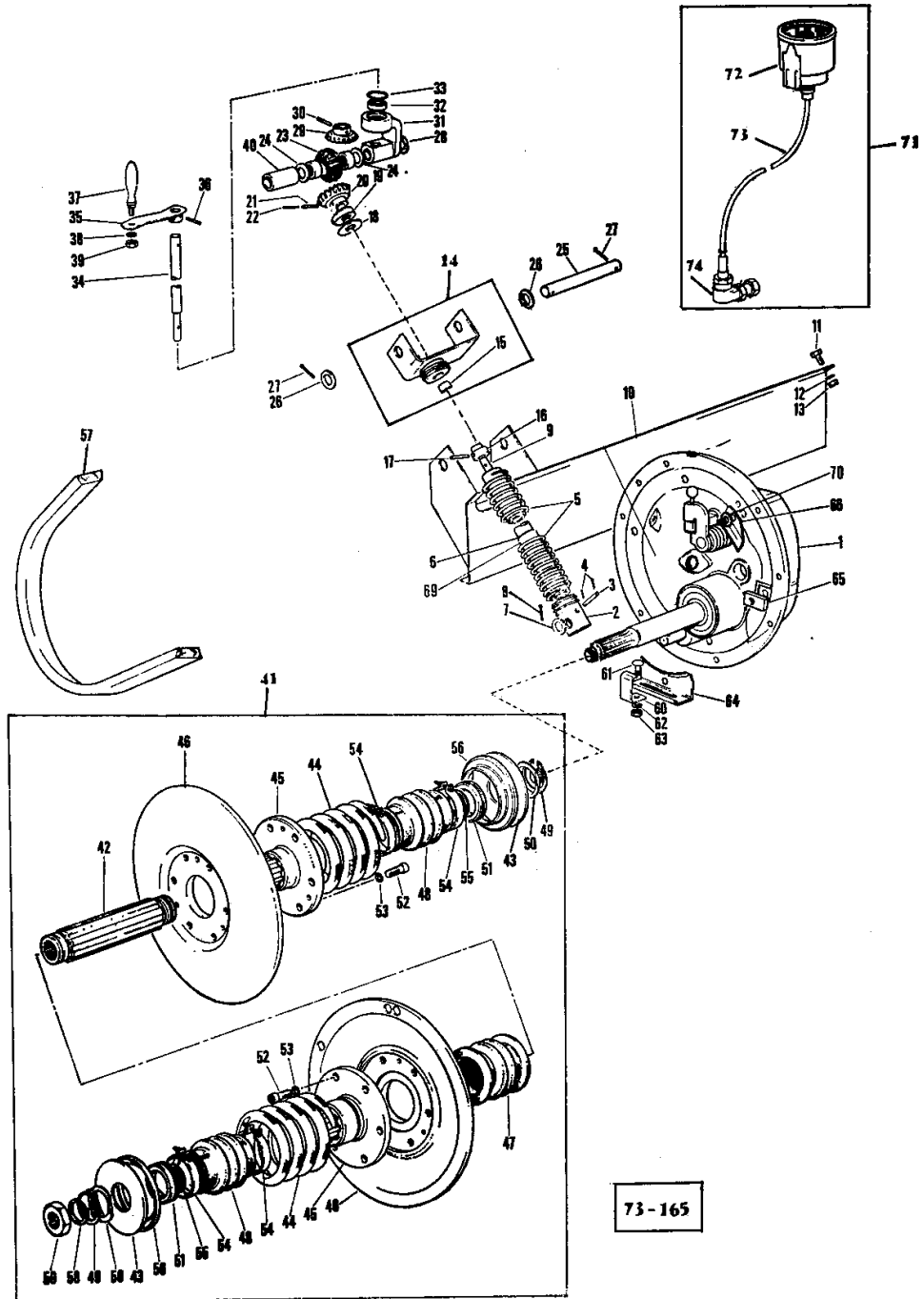
CYLINDER

Item	Part Number	Qty	Description	Comments
1	417542M1	1	Shaft	(A)
	1721951M91	1	Shaft	(B)
2	417503M1	1	Support	(A)
3	417504M91	2	Support	(A)
4	390537X1	2	Key Door	(A)
5	339182X1	2	Bolt Metric	(A)
6	339377X1	2	Lock Washer	(A)
7	339034X1	2	Nut Metric	(A)
8	417543M1	1	Support	
9	414180M1	4	Beater Bar	
10	339123X1	X	Screw Metric	
11	339609X1	X	Washer	
12	339374X1	X	Lock Washer	
13	339169X1	X	Nut Metric	
14	338656	32	Bolt	
15	609930M1	32	Washer	
16	1440204X1	64	Nut Metric	
17	410555M1	X	Shim	Thickness 0,75 MM
	410556M1	X	Shim	Thickness 1 MM
	410557M1	X	Shim	Thickness 1,50 MM
18	414181M1	4	Beater Bar	
19	339820X1	1	Circlip	
20	417506M1	1	Bearing	
21	417507M1	1	Flange	
22	414849M1	1	Flange	
23	339172X1	4	Bolt Metric	
24	339376X1	4	Lock Washer	
25	339402X1	4	Nut Metric	
26	418392M91	1	Plate	

(A)  
Up to Serial or Engine Number 4624  
(B)  
From Serial or Engine Number 4625



COMMANDE DE BATTEUR  
 DRESCHTROMMELANTRIEB  
 CYLINDER DRIVE



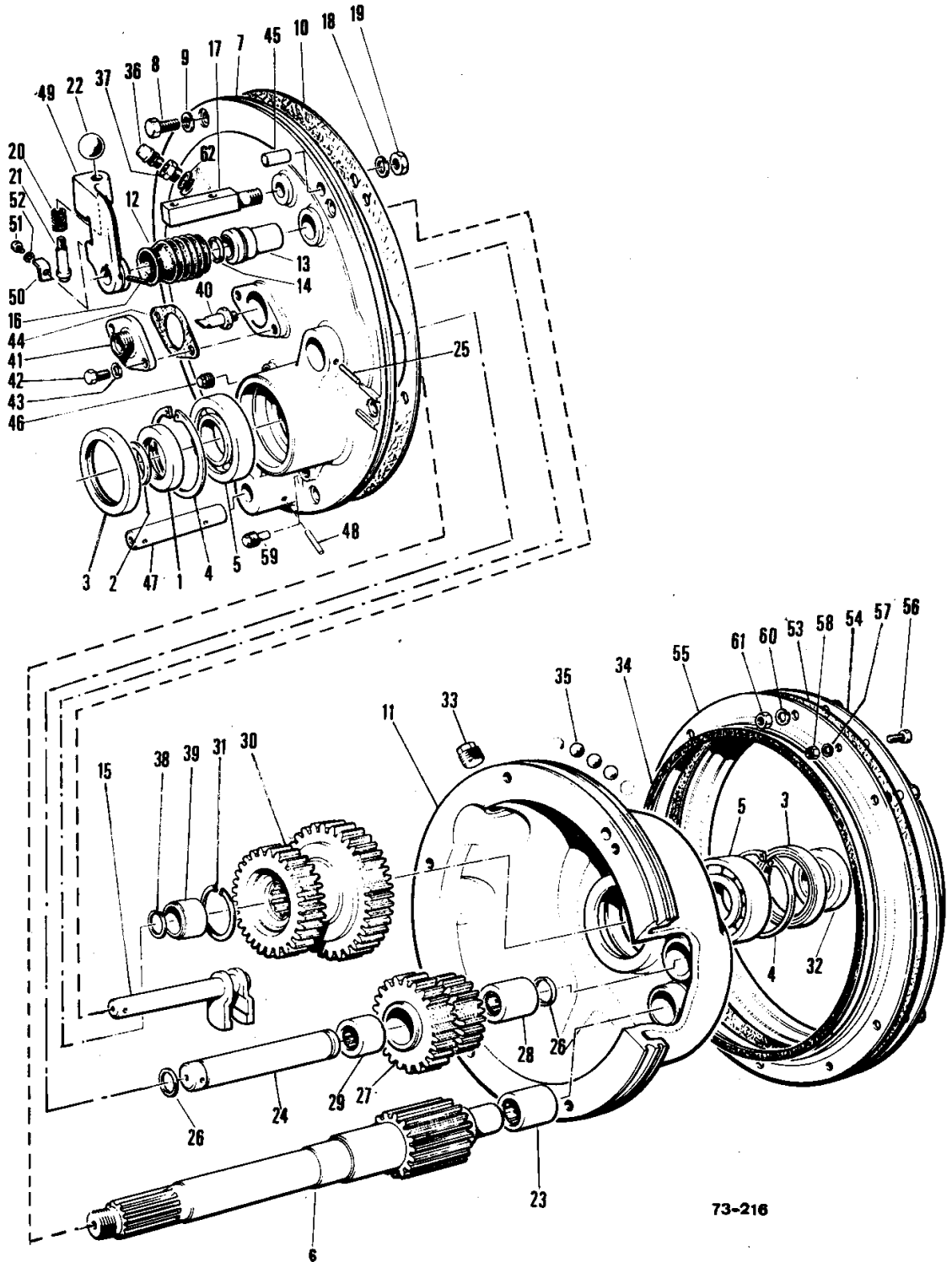
CYLINDER DRIVE

Item	Part Number	Qty	Description	Comments
1	417403M91	1	Gearbox	(A)
	1721669M91	1	Gearbox	(B)
2	418497M1	1	Retainer	
3	1440992X1	1	Pin	
4	339851X1	2	Pin	
5	418499M1	1	Spring	
6	418500M91	1	Tube	(C)
	1722029M91	1	Tube	(D)
7	390974X1	1	Washer Metric	
8	339133X1	1	Pin	
9	418504M1	1	Shaft	(C)
	1722028M1	1	Plate	(D)
10	418505M91	1	Transverse	
11	339123X1	4	Screw Metric	
12	339374X1	4	Lock Washer	
13	339169X1	4	Nut Metric	
14	418509M91	1	Bracket	
15	418510M1	1	Bearing	
16	418515M1	1	Retainer	
17	339783X1	1	Pin	(C)
	339135X1	1	Pin	(D)
18	339574X1	1	Washer Metric	
	391382X1	1	Washer Metric	
19	417454M1	1	Bearing	
20	418516M1	1	Pinion	Number of teeth/spines 15
21	339662X1	1	Pin	
22	339664X1	1	Pin	
23	418517M91	1	Pinion	
24	339596X1	2	Washer Metric	
25	418520M1	1	Shaft	
26	339596X1	2	Washer Metric	
27	391405X1	2	Pin	
28	391102X1	X	Washer Metric	
29	418521M1	1	Pinion	Number of teeth/spines 12
30	339541X1	1	Peg	
31	418522M1	1	Support	
32	1440485X1	1	Bearing Ball	
33	339657X1	1	Circlip	
34	418523M1	1	Shaft	
35	418524M91	1	Crank	
36	390932X1	1	Pin	
37	418527M1	1	Handle	
38	339376X1	1	Lock Washer	
39	339402X1	1	Nut Metric	
40	418528M1	1	Bush	
41	417442M91	1	Pulley	
42	417443M1	1	Bush	
43	417444M1	2	Washer	
44	417486M91	2	Spring	
45	417446M1	2	Hub	
46	417447M1	2	Pulley	
47	417448M1	1	Bellows	
48	417449M1	2	Bellows	
49	391843X1	2	Circlip	
50	417450M1	2	Washer	
51	417451M1	2	Ring	
52	390580X1	12	Screw Metric	
53	339376X1	12	Lock Washer	
54	391842X1	4	Clip	
55	391840X1	2	O Ring	
56	417452M1	2	Ring	
57	621646M1	1	Belt	
58	339457X1	1	Washer	
59	390340X1	1	Nut Metric	
60	418529M1	1	Bracket	
61	339170X1	1	Screw	
62	339179X1	1	Washer	
63	339169X1	1	Nut Metric	
64	1722860M1	1	Bracket	
65	418531M1	1	Catch	

CYLINDER DRIVE

Item	Part Number	Qty	Description	Comments
66	1722861M1	1	Stop	
68	1723364M1	1	Tube	
70	339534X1	1	Washer Metric	
71	418533M1	1	Speedometer	(E)
	916160N1	1	Speedometer	(F)
72	1701473M1	1	Cable	(E)
73	1701463M1	1	Cable	(E)
	916162M1	1	Cable	(F)
74	1701475M1	1	Angle Drive	(E)
	916161M1	1	Angle Drive	(F)
			(A)	
			See Page - Reference Number 47	
			(B)	
			See Page - Reference Number 51	
			(C)	
			Up to Serial or Engine Number 3251	
			(D)	
			From Serial or Engine Number 3252	
			(E)	
			Up to Serial or Engine Number 1226506	
			(F)	
			From Serial or Engine Number 1226507	

VARIATEUR DE BATTEUR }  
 DRESCHESTRÖMUNGSPETRIEBE } 417 403 M91 → N° 4624  
 GEAR BOX CYLINDER }



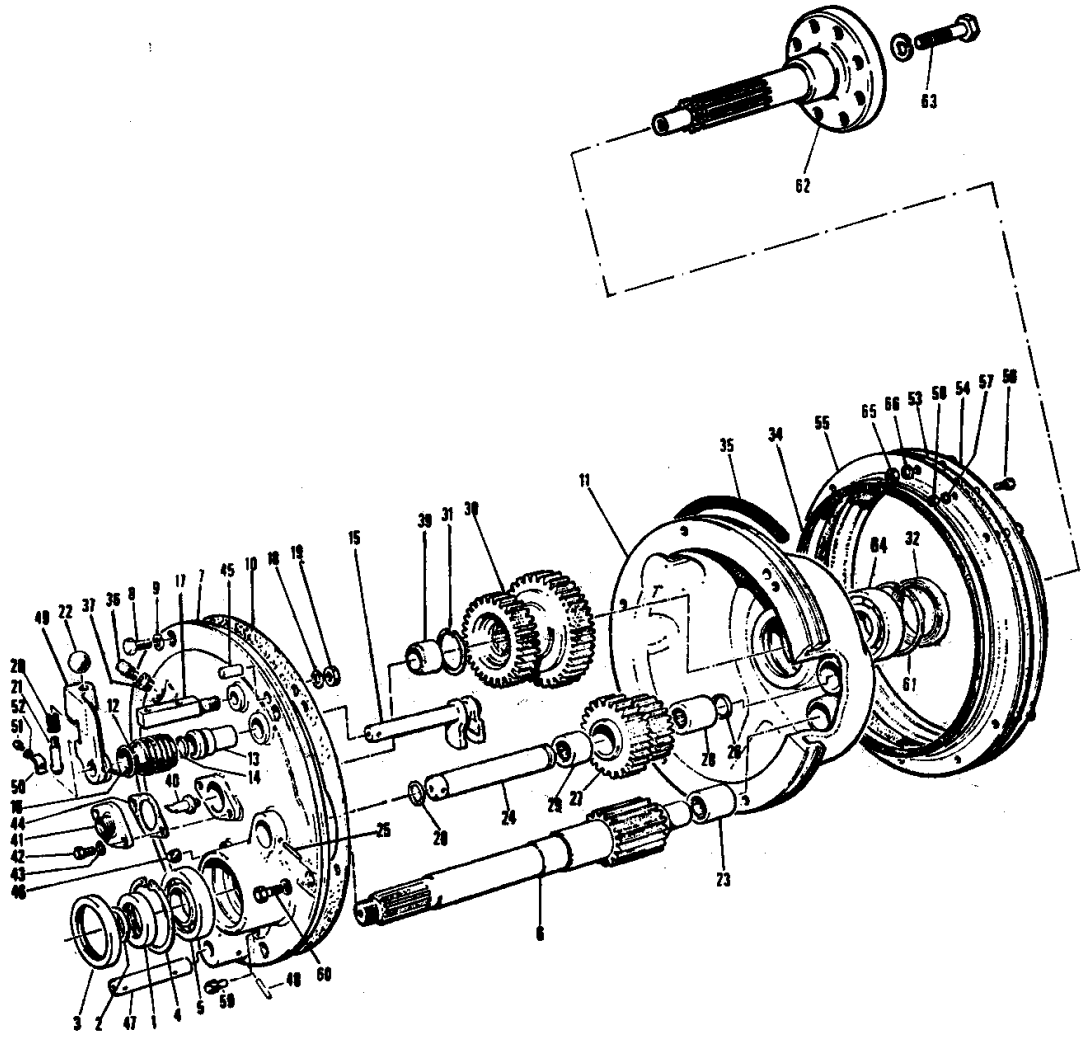
GEAR BOX - CYLINDER

Item	Part Number	Qty	Description	Comments
				CYLINDER 417403M91-4624
1	417404M1	1	Ring	
2	391841X1	1	O Ring	
3	417355M1	2	Washer	
4	1440516X1	2	Circlip	
5	1440511X1	2	Bearing Assy	
6	417405M1	1	Shaft	
7	417406M1	1	Housing	(A)
	1722387M1	1	Housing	(B)
8	339451X1	5	Screw Metric	
9	339376X1	6	Lock Washer	
10	417407M1	1	Joint	
11	417408M1	1	Housing	
12	417409M1	1	Gaiter	
13	417410M1	1	Bush	
14	391839X1	1	Ring	
15	417411M91	1	Shaft	
16	339071X1	1	Pin	
17	417413M1	1	Pin	
18	339369X1	1	Lock Washer	
19	339186X1	1	Nut Metric	
20	1706000M1	1	Spring	
21	415585M1	1	Pin	
22	415756M1	1	Knob	
23	417414M1	1	Bearing	
24	417353M1	1	Axle	
25	339192X1	1	Pin	
26	391156X1	2	Seal	
27	417415M91	1	Wheel	
28	415591M1	1	Bearing	
29	415592M1	1	Bearing	
30	417417M1	1	Gear	
31	339820X1	1	Circlip	
32	417356M1	1	Ring	
33	391142X1	1	Plug	
34	417419M1	2	Joint	
35	1440920X1	89	Ball	
36	190729M91	1	Breather	
37	417478M1	1	Nipple	(A)
	1722391M1	1	Plug	(B)
38	415597M1	1	Ring	
39	415598M1	1	Bearing	
40	415599M1	1	Bolt	
41	415600M1	1	Flange	
42	339123X1	2	Screw Metric	
43	339374X1	2	Lock Washer	
44	415601M1	1	Joint	
45	339675X1	2	Pin	
46	390816X1	1	Plug	
47	417420M1	1	Pin	
48	339052X1	1	Strip	
49	417421M1	1	Lever	
50	417422M1	1	Anglepiece	
51	391074X1	1	Screw Metric	
52	339375X1	1	Lock Washer	
53	417423M1	X	Gasket	
54	417424M91	1	Collar	
55	419138M1	1	Collar	
56	390379M1	3	Bolt	
57	339374X1	3	Lock Washer	
58	339169X1	3	Nut Metric	
59	417357M1	1	Plug	
60	339376X1	6	Lock Washer	
61	339402C1	6	Nut	
62	390855X1	1	Ring	

(A)  
Up to Serial or Engine Number 3251

(B)  
From Serial or Engine Number 3252

VARIATEUR DE BATTEUR }  
 DRESCHTROMMELGETRIEBE } 1721 669 M91 N° 4625 →  
 GEAR BOX CYLINDER }

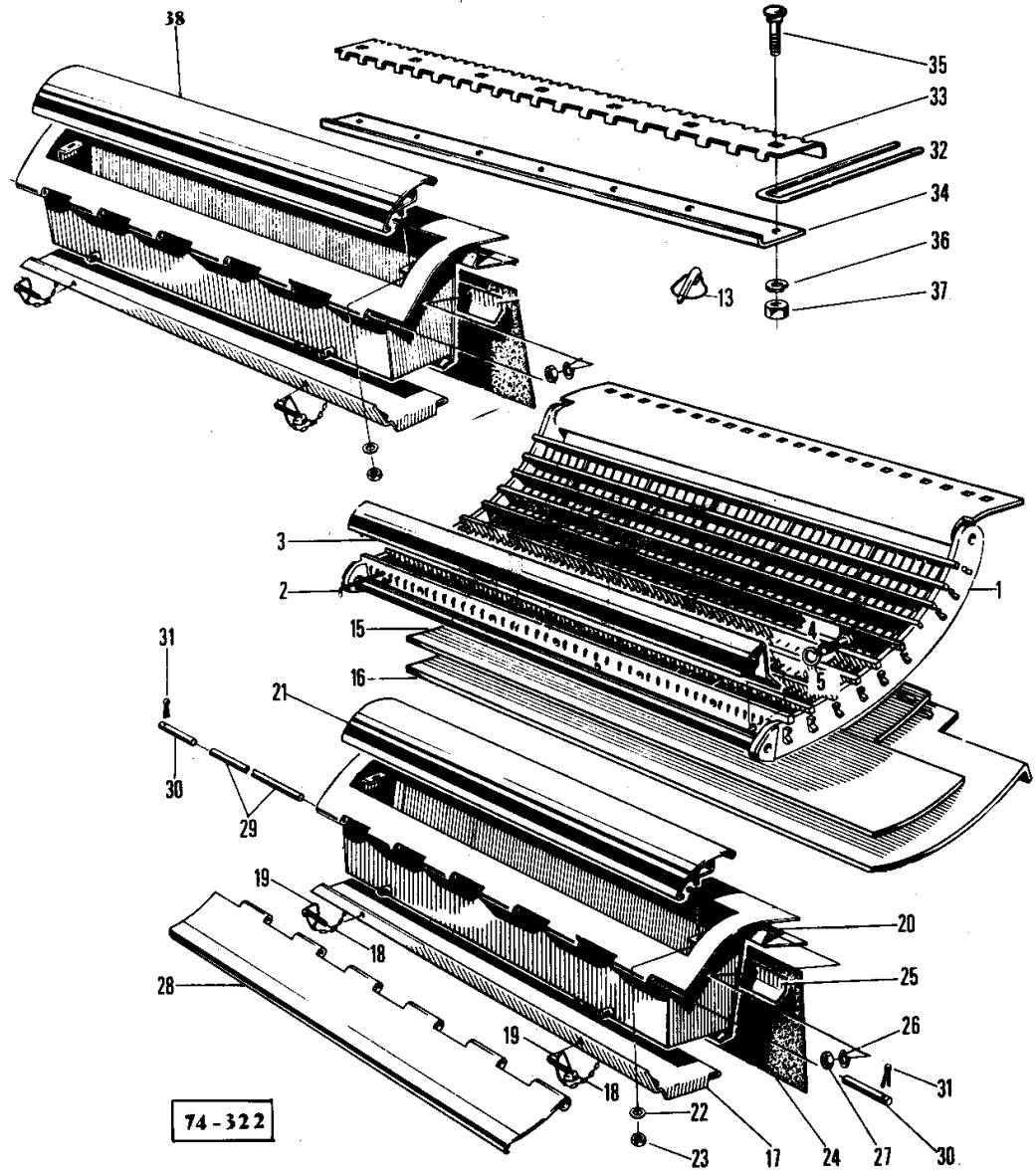


73-217

GEAR BOX - CYLINDER

Item	Part Number	Qty	Description	Comments
				CYLINDER
				From Serial or Engine Number 1721669M91, 4625
1	417404M1	1	Ring	
2	391841X1	1	O Ring	
3	417355M1	1	Washer	
4	1440516X1	1	Circlip	
5	1440511X1	1	Bearing Assy	
6	417405M1	1	Shaft	
7	1722387M1	1	Housing	
8	339451X1	5	Screw Metric	
9	339376X1	5	Lock Washer	
10	417407M1	1	Joint	
11	1722386M1	1	Housing	
12	417409M1	1	Gaiter	
13	417410M1	1	Bush	
14	391839X1	1	Ring	
15	417411M91	1	Shaft	
16	339071X1	1	Pin	
18	339369X1	1	Lock Washer	
19	339186X1	1	Nut Metric	
20	1706000M1	1	Spring	
21	415585M1	1	Pin	
22	415756M1	1	Knob	
23	417414M1	1	Bearing	
24	417353M1	1	Axle	
25	339192X1	1	Pin	
26	391156X1	2	Seal	
27	417415M91	1	Wheel	
28	415591M1	1	Bearing	
29	415592M1	1	Bearing	
30	1722389M1	1	Gear	
31	1440478X1	1	Circlip	
32	1722390M1	1	Ring	
34	417419M1	2	Joint	
35	1721670M1	1	Segment	
36	623357M1	1	Breather	
37	1722391M1	1	Plug	
38	390855X1	1	Ring	
39	415592M1	1	Bearing	
40	415599M1	1	Bolt	
41	415600M1	1	Flange	
42	339123X1	2	Screw Metric	
43	339374X1	2	Lock Washer	
44	415601M1	1	Joint	
45	339675X1	2	Pin	
46	390816X1	1	Plug	
47	417420M1	1	Pin	
48	339052X1	1	Strip	
49	417421M1	1	Lever	
50	417422M1	1	Anglepiece	
51	391074X1	1	Screw Metric	
52	339375X1	1	Lock Washer	
53	417423M1	2	Gasket	
54	417424M91	1	Collar	
55	419138M1	1	Collar	
56	390379X1	3	Bolt Metric	
57	339374X1	3	Lock Washer	
58	339169X1	3	Nut Metric	
59	417357M1	1	Plug	
60	339814X1	1	Screw Metric	
	339376X1	1	Lock Washer	
61	390613X1	1	Circlip	
62	1722388M1	1	Shaft	
63	391645X1	8	Bolt Metric	
	339369X1	8	Lock Washer	
61	1440546X1	1	Bearing Ball	
65	339376X1	6	Lock Washer	
66	339402X1	6	Nut Metric	

CONTRE BATTEUR - BAC A PIERRES  
 DRESCHKORB - STEINFALLE  
 CONCAVE - TRAP STONE

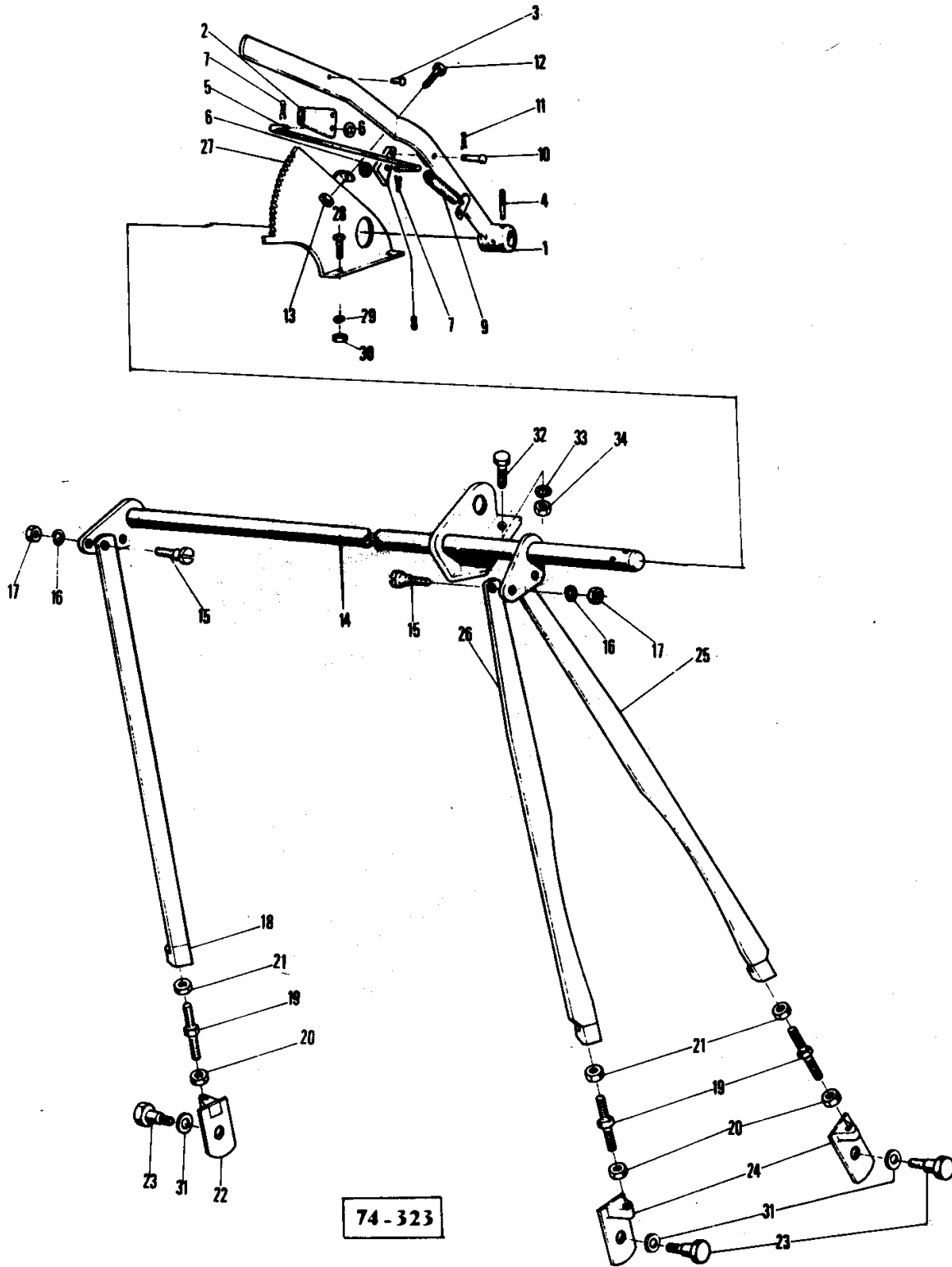




TRAP STONE - TRAP STONE

Item	Part Number	Qty	Description	Comments
				TRAP STONE
1	417714M91	1	Concave	
2	417717M1	42	Wire	
3	1723619M91	1	Plate	
4	339761X1	4	Screw Metric	
5	339374X1	4	Lock Washer	
13	811201M91	2	Lynch Pin 6mm	
15	414773M91	1	Plate	
16	414772M1	1	Plate	
17	403873M91	1	Door	
18	339802X1	2	Chain	
19	811201M91	2	Lynch Pin 6mm	
20	412532M92	1	Stone Trap	
21	412541M91	1	Plate	
22	339024X1	2	Washer Metric	
23	339169X1	2	Nut Metric	
24	418442M1	1	Gasket	
25	412545M1	1	Plate	
26	339375X1	6	Lock Washer	
27	339030X1	6	Nut Metric	
28	412627M91	1	Plate	
29	417216M1	1	Rod	
30	417215M1	2	Rod	
31	391091X1	2	Pin	
32	417712M1	22	Tooth	(A)
	1721624M1	19	Tooth	(B)
33	417713M1	1	Strip	(A)
	1721625M1	1	Carrier	(B)
34	1721626M1	1	Strip	(B)
35	390018X1	22	Bolt	(A)
	339149X1	7	Bolt Metric	(B)
36	339374X1	22	Lock Washer	(A)
	339374X1	7	Lock Washer	(B)
37	339169X1	22	Nut Metric	(A)
	339169X1	7	Nut Metric	(B)
38	418441M91	1	Trap	
				(A)
				Up to Serial or Engine Number 1985
				(B)
				From Serial or Engine Number 1986

REGLAGE DE CONTRE BATTEUR  
 DRESCHKORBVESTELLUNG  
 CONCAVE ADJUSTMENT



Imprimé en FRANCE

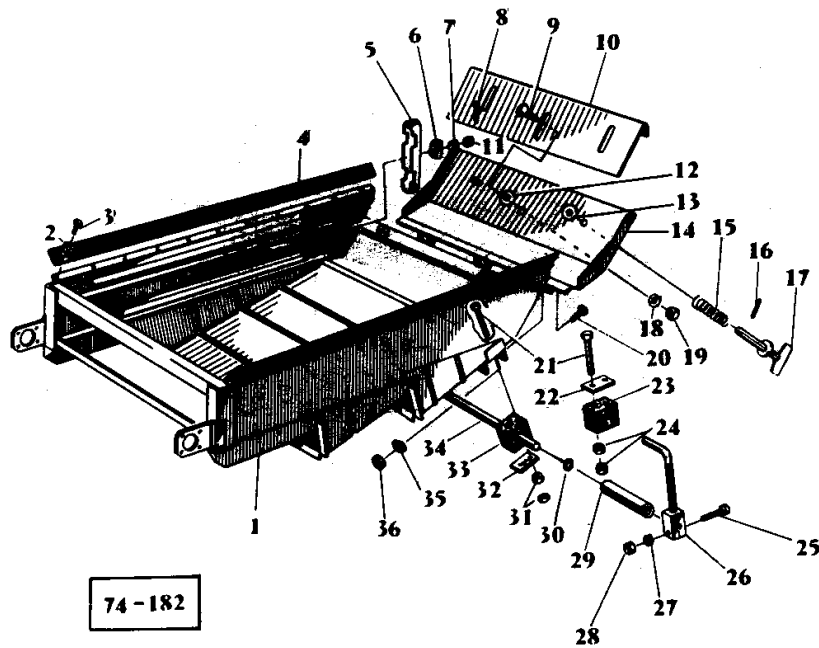
187

419 195 M5 - Emission-1- X/75

CONCAVE ADJUSTMENT

Item	Part Number	Qty	Description	Comments
1	412712M92	1	Lever	
2	410014M1	1	Handle	
3	36229X	1	Rivet	
4	339135X1	2	Pin	
5	412716M1	1	Rod	
6	390971X1	2	Washer Metric	
7	339851X1	2	Pin	
8	410018M1	1	Latch	
9	410019M1	1	Spring	
10	390808X1	1	Pin	
11	339851X1	1	Pin	
12	339287X1	1	Screw Metric	
13	339169X1	1	Nut Metric	
14	417699M91	1	Shaft	
15	414833M1	4	Pin	
16	339369X1	4	Lock Washer	
17	339054X1	4	Nut Metric	
18	417703M91	1	Rod	
19	417705M1	3	Bolt	
20	339186X1	3	Nut Metric	
21	391185X1	3	Nut Metric	
22	417706M91	1	Angle	Right Hand
23	410800M2	3	Trunnion	
24	417709M91	2	Angle	Left Hand
25	417720M91	1	Rod	
26	417722M91	1	Rod	
27	417723M91	1	Quadrant	
28	339123X1	2	Screw Metric	
29	339374X1	2	Lock Washer	
30	339169X1	2	Nut Metric	
31	339574X1	3	Washer Metric	
32	339123X1	3	Screw Metric	
33	339374X1	3	Lock Washer	
34	339169X1	3	Nut Metric	

COFFRE DE NETTOYAGE  
REINIGUNG  
SHAKER SHOE

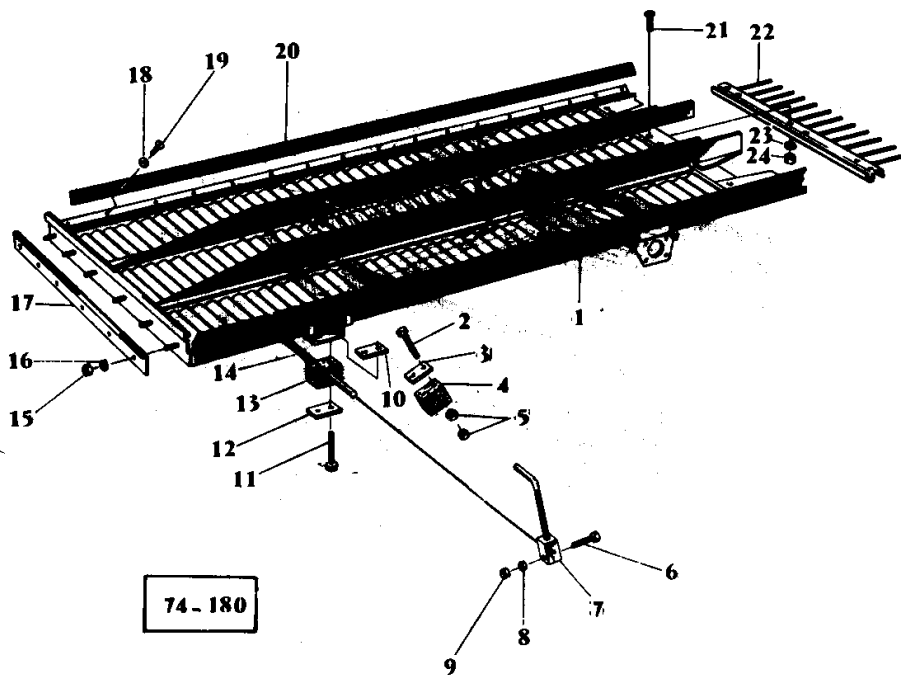


SHAKER SHOE

Item	Part Number	Qty	Description
1	414741M91	1	Shoe
2	339362X1	32	Washer
3	338627X1	32	Rivet
4	401393M2	2	Gasket
5	403958M91	2	Bracket
6	403960M1	2	Washer
7	339402X1	2	Nut Metric
8	36036X	2	Pin
9	339237X1	2	Screw
10	413425M1	1	Extension
11	339433X1	2	Nut Metric
12	339843X1	2	Washer
13	339735X1	2	Washer
14	413423M91	1	Door
15	404801M1	2	Spring
16	339257X1	2	Pin
17	404767M91	2	Handle
18	339376X1	2	Lock Washer
19	339539X1	2	Nut Metric
20	391484X1	3	Screw Metric
21	339368X1	4	Bolt Metric
22	916969M1	2	Shim
24	339169X1	8	Nut Metric
25	339246X1	2	Bolt Metric
26	417634M91	2	Arm
27	339376X1	2	Lock Washer
28	339402X1	2	Nut Metric
29	417725M1	2	Spacer
30	391472X1	2	Washer Metric
31	339169X1	8	Nut Metric
32	916969M1	2	Shim
33	403961M1	2	Block
34	417636M1	1	Rod
35	339375X1	3	Lock Washer
36	339030X1	3	Nut Metric

02

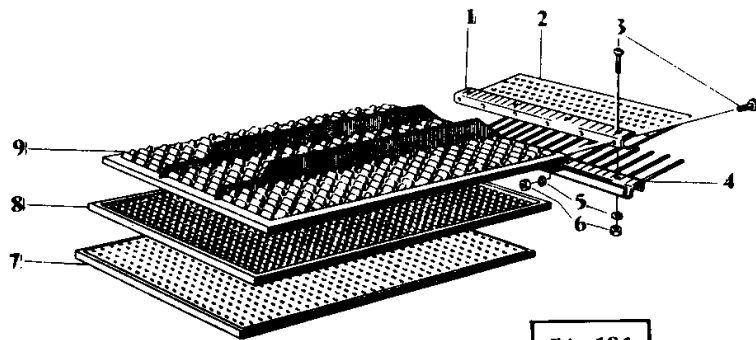
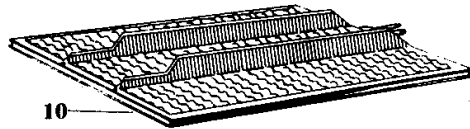
RECEPTEUR A GRAIN  
STUFENBODEN  
PAN



**PAN**

<b>Item</b>	<b>Part Number</b>	<b>Qty</b>	<b>Description</b>
1	417631M91	1	Pan
2	339368X1	2	Bolt Metric
3	916969M1	2	Shim
4	403961M1	2	Block
5	339169X1	2	Nut Metric
6	339246X1	2	Bolt Metric
7	417634M91	2	Arm
8	339376X1	2	Lock Washer
9	339402X1	2	Nut Metric
10	413433M1	4	Plate
11	339291X1	4	Bolt Metric
12	916969M1	4	Shim
13	403961M1	2	Block
14	417633M1	1	Rod
15	339030X1	6	Nut Metric
16	339375X1	6	Lock Washer
17	412652M1	1	Strap
18	339362X1	50	Washer
19	339101X1	50	Rivet
20	412651M1	2	Gasket
21	391484X1	4	Screw Metric
22	401408M93	1	Carrier
23	339375X1	4	Lock Washer
24	339030X1	4	Nut Metric

GRILLES  
SIEB  
SCREEN



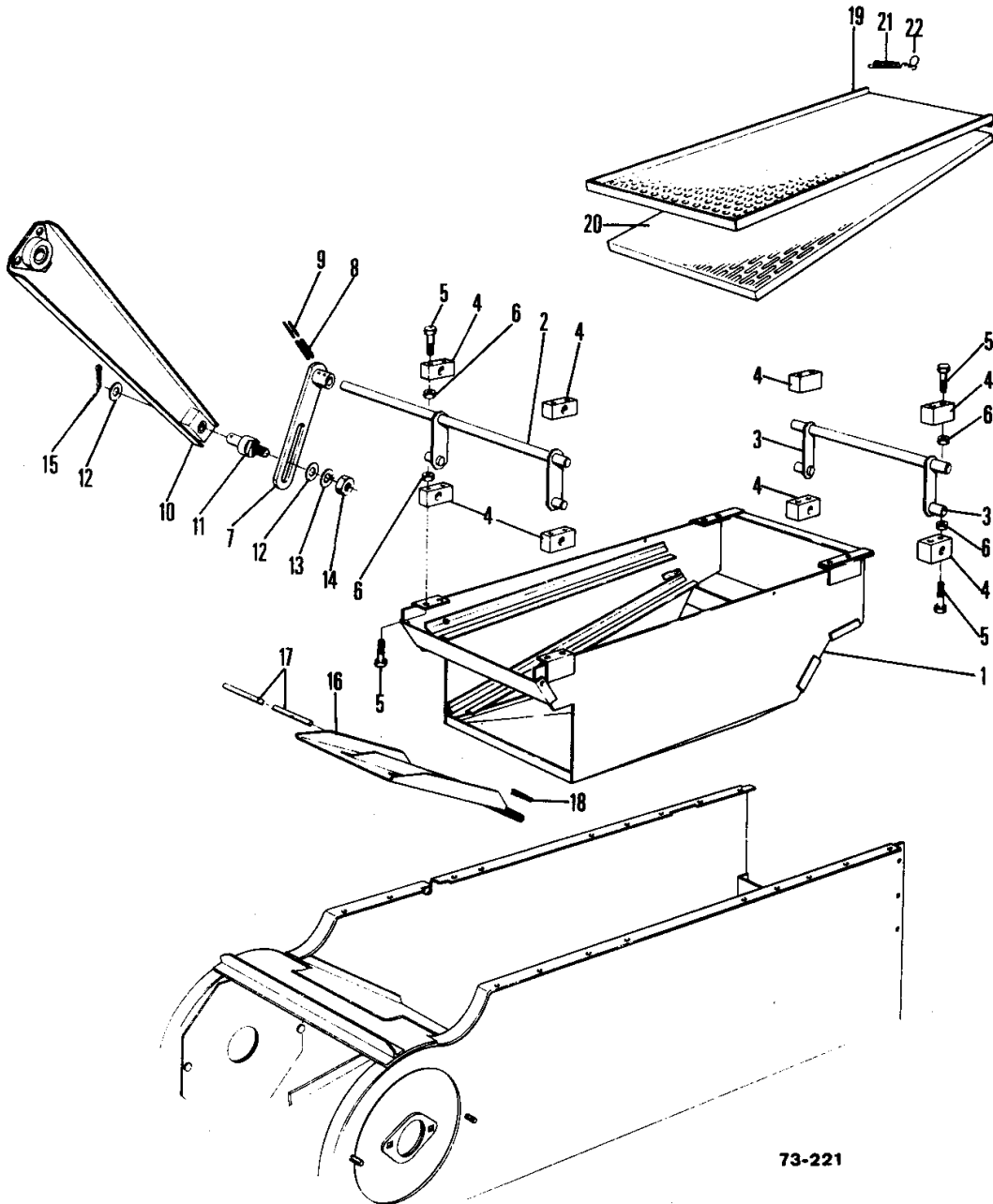
74-181



SCREEN

Item	Part Number	Qty	Description	Comments
1	403986M1	1	Bracket	
2	403230M3	1	Screen	
3	391484X1	11	Screw Metric	
4	403987M91	1	Carrier	
5	339375X1	11	Lock Washer	
6	339030X1	11	Nut Metric	
7	401421M1	1	Grille	5 MM
	401423M1	1	Screen	8 MM
	401424M1	1	Screen	12 MM
	401425M1	1	Screen	16 MM
	401483M1	1	Screen	3 MM
	402602M1	1	Screen	10 MM
	1603205M1	1	Grille	8 X 8
	1603206M1	1	Grille	10 X 10
8	401433M1	1	Screen	3/4"
9	401426M1	1	Screen	1 1/4"
	402974M1	1	Screen	2"
10	413908M1	1	Screen	

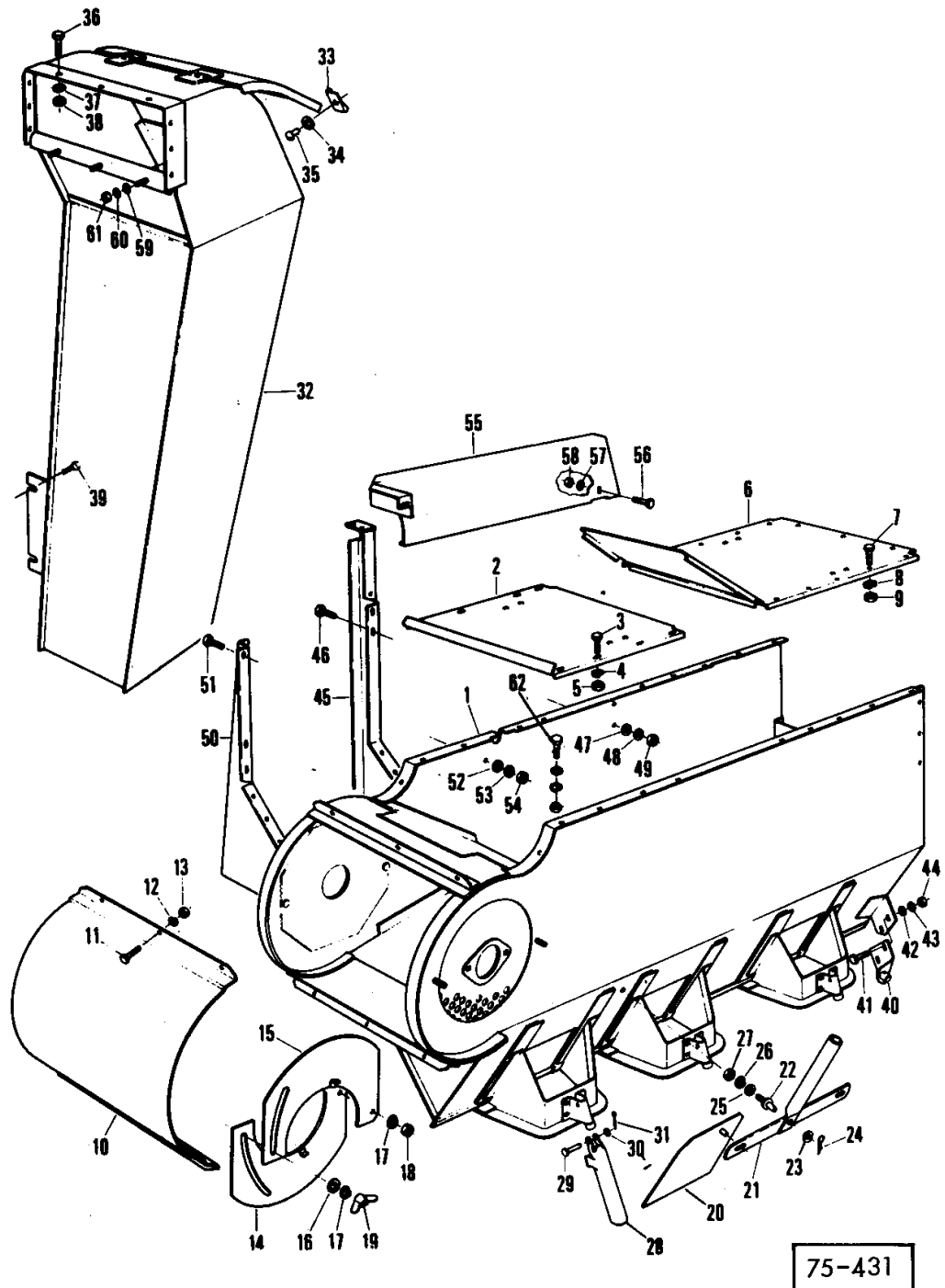
NETTOYAGE (RESERVOIR ENSACHEUR)  
 RIENIGUNG (TANK ABSACKMASCHINEN)  
 CLEANING (BAGGER TANKER MACHINES)



73-221

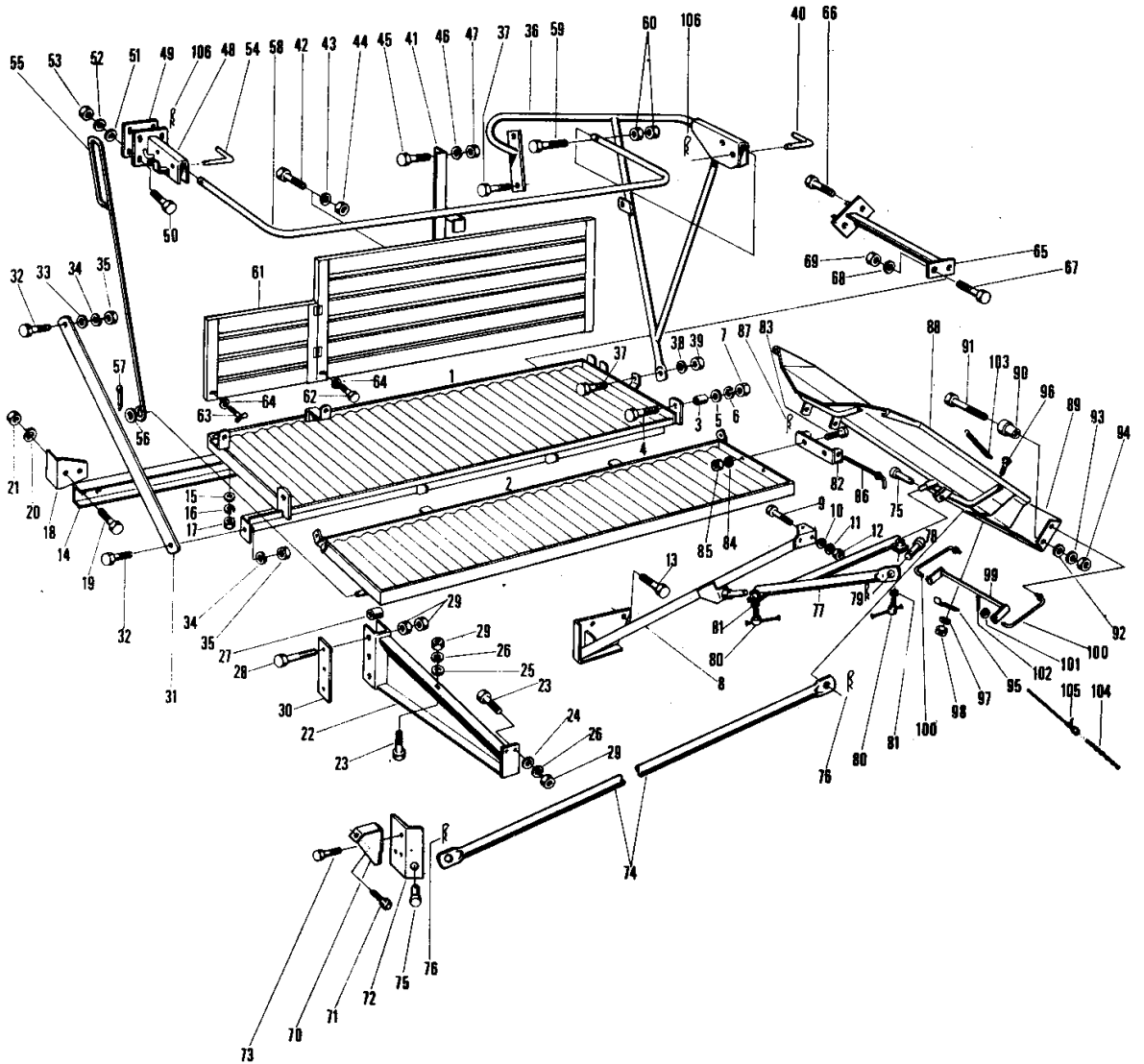
Item	Part Number	Qty	Description	Comments
				BAGGER TANKER MACHINES
1	419152M91	1	Case	
2	419449M91	1	Shaft	
3	419453M91	1	Shaft	
4	419460M91	8	Bearing	
5	339011X1	16	Bolt Metric	
6	391056X1	16	Nut Metric	
7	419457M91	1	Bush	
8	339080X1	2	Roll Pin	
9	391362X1	2	Pin	
10	419486M91	1	Pitman	
11	320693M2	1	Pin	
12	339704X1	2	Washer	
13	339369X1	1	Lock Washer	
14	339054X1	1	Nut Metric	
15	391402X1	1	Pin	
16	1721698M91	1	Plate	
17	1721708M1	1	Rod	
18	391430X1	1	Pin	
19	1721714M1	1	Screen	8 MM
	1721715M1	1	Screen	12 MM
	1721716M1	1	Screen	16 MM
20	1721719M1	4	Screen	2 MM
21	322980M1	4	Spring	
22	322979M1	4	Knotter Hook	

CARTER DE NETTOYAGE (RESERVOIR ENSACHEUR)  
 GEHÄUSE REINIGUNG (TANK ABSACKMASCHINEN)  
 HOUSING CLEANING (BAGGER TANKER MACHINES)



Item	Part Number	Qty	Description	Comments
				BAGGER TANKER MACHINES
1	419465M91	1	Housing	
2	1721711M1	1	Plate	
3	391074X1	8	Screw Metric	
4	339375X1	8	Lock Washer	
5	339030X1	8	Nut Metric	
6	1721695M91	1	Plate	
7	391074X1	10	Screw Metric	
8	339375X1	10	Lock Washer	
9	339030X1	10	Nut Metric	
10	1725002M1	1	Cover	
11	339560X1	6	Screw Metric	
12	339375X1	6	Lock Washer	
13	339030X1	6	Nut Metric	
14	419489M91	2	Plate	
15	419492M91	2	Plate	
16	391166X1	2	Washer Metric	
17	339374X1	4	Lock Washer	
18	339169X1	2	Nut Metric	
19	339106X1	2	Nut Metric	
20	404916M91	2	Gate	
21	414207M91	1	Lever	
22	402558M1	1	Bolt	
23	390056X1	1	Washer	
24	410366M1	1	Pin	
25	339763X1	1	Washer	
26	339369X1	1	Lock Washer	
27	339054X1	1	Nut Metric	
28	402565M3	3	Handle	
29	339610X1	3	Pin	
30	339056X1	3	Washer Metric	
31	339087X1	3	Pin	
32	419436M91	1	Chute	
33	320719M2	2	Tie	
34	390971X1	2	Washer Metric	
35	391488X1	2	Rivet	
36	339124X1	9	Screw Metric	
37	339374X1	9	Lock Washer	
38	339169X1	9	Nut Metric	
39	339123X1	2	Screw Metric	
40	1721728M91	1	Bracket	
41	339123X1	2	Screw Metric	
42	391166X1	2	Washer Metric	
43	339374X1	2	Lock Washer	
44	339369X1	2	Lock Washer	
45	1721721M91	1	Support	
46	339123X1	8	Screw Metric	
47	391166X1	2	Washer Metric	
48	339374X1	8	Lock Washer	
49	339169X1	8	Nut Metric	
50	1721724M1	1	Support	
51	339123X1	9	Screw Metric	
52	391166X1	3	Washer Metric	
53	339374X1	9	Lock Washer	
54	339169X1	9	Nut Metric	
55	1721725M1	1	Guard	
56	391074X1	1	Screw Metric	
57	339375X1	1	Lock Washer	
58	339030X1	1	Nut Metric	
59	391166X1	3	Washer Metric	
60	339374X1	3	Lock Washer	
61	339169X1	3	Nut Metric	
62	339560X1	10	Screw Metric	
	339692X1	10	Washer	
	339375X1	10	Lock Washer	
	339030X1	10	Nut Metric	

PLATE FORME (RESERVOIR ENSACHEUR)  
 PLATTFORM (TANK ABSACKMASCHINEN)  
 PLATFORM (BAGGER TANKER MACHINES)



73-223

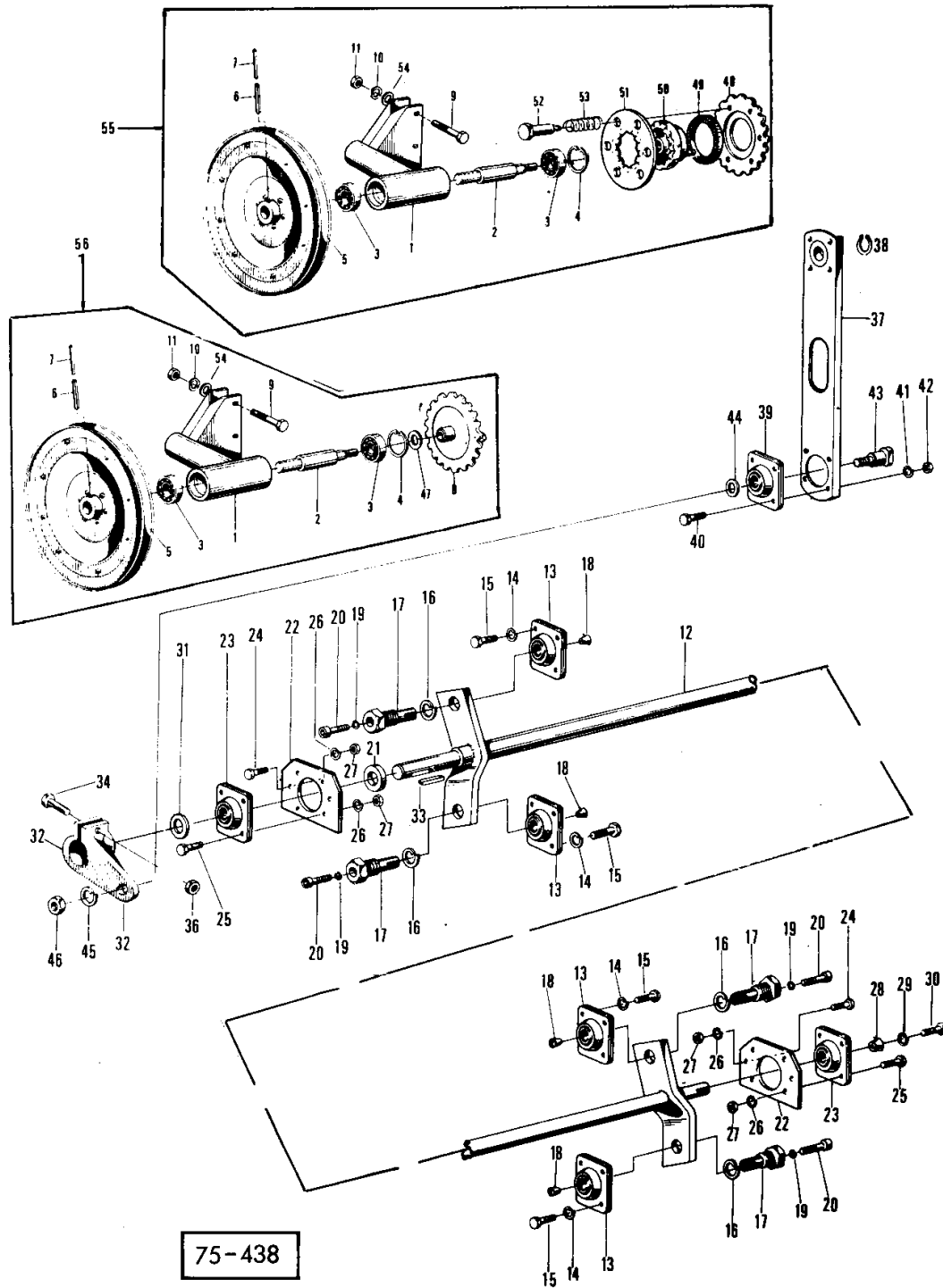
Item	Part Number	Qty	Description	Comments
				BAGGER TANKER MACHINES
1	419275M91	1	Frame	
2	419287M91	1	Frame	
3	1706403M1	2	Bush	
4	339586X1	2	Bolt Metric	
5	390747X1	2	Washer	
6	339380X1	2	Washer	
7	339079X1	2	Nut	
8	419294M91	1	Brace	
9	339401X1	3	Screw Metric	
10	339534X1	3	Washer Metric	
11	339376X1	3	Lock Washer	
12	339402X1	3	Nut Metric	
13	339556X1	4	Bolt Metric	
14	419302M1	1	Support	
15	339667X1	6	Shim	
16	339374X1	6	Lock Washer	
17	339169X1	6	Nut Metric	
18	419303M1	1	Angle	
19	339401X1	2	Screw Metric	
20	339376X1	2	Lock Washer	
21	339402X1	2	Nut Metric	
22	419305M91	1	Support	
23	339401X1	3	Screw Metric	
24	339534X1	2	Washer Metric	
25	339492X1	1	Nut	
26	339376X1	3	Lock Washer	
27	419304M1	3	Tube	
28	339269X1	3	Bolt Metric	
29	339402X1	9	Nut Metric	
30	419309M1	1	Plate	
31	419310M1	1	Brace	
32	339451X1	2	Screw Metric	
33	339534X1	1	Washer Metric	
34	339376X1	2	Lock Washer	
35	339402X1	2	Nut Metric	
36	419311M91	1	Rail	
37	339761X1	3	Screw Metric	
38	339374X1	1	Lock Washer	
39	339169X1	1	Nut Metric	
40	419317M1	1	Pin	
41	419318M91	1	Brace	
42	339401X1	2	Screw Metric	
43	339376X1	2	Lock Washer	
44	339402X1	2	Nut Metric	
45	339761X1	2	Screw Metric	
46	339374X1	2	Lock Washer	
47	339169X1	2	Nut Metric	
48	419321M91	1	Support	
49	419322M1	1	Plate	
50	339761X1	4	Screw Metric	
51	391166X1	4	Washer Metric	
52	339374X1	4	Lock Washer	
53	339169X1	4	Nut Metric	
54	419317M1	1	Pin	
55	419326M1	1	Bearer	
56	339795X1	1	Washer Metric	
57	339076X1	1	Pin	
58	419327M1	1	Rail	
59	339011X1	2	Bolt Metric	
60	339169X1	4	Nut Metric	
61	419328M91	1	Guard	
62	390379X1	2	Bolt Metric	
63	1441330X1	1	Bolt Metric	
64	339374X1	3	Lock Washer	
65	419340M91	1	Angle	
66	339291X1	2	Bolt Metric	
67	339123X1	2	Screw Metric	
68	339374X1	2	Lock Washer	
69	339169X1	2	Nut Metric	

## PLATFORM - BAGGER TANKER MACHINES

Item	Part Number	Qty	Description	Comments
70	419344M91	1	Stiffener	
71	339761X1	1	Screw Metric	
72	419347M91	1	Plate	
73	339814X1	3	Screw Metric	
74	419350M1	1	Tube	
75	1441331X1	2	Pin	
76	327669M1	2	Pin	
77	419351M91	1	Support	
78	1441331X1	1	Pin	
79	327669M1	1	Pin	
80	413960M91	2	Bolt	
81	339377X1	2	Lock Washer	
82	419354M91	1	Angle	
83	339139X1	2	Screw Metric	
84	339369X1	2	Lock Washer	
85	339054X1	2	Nut Metric	
86	413988M91	1	Stem	
87	410366M1	1	Pin	
88	419355M91	1	Chute	
89	413982M1	1	Support	
90	405154M1	2	Bush	
91	339009X1	2	Bolt Metric	
92	339056X1	2	Washer Metric	
93	339374X1	2	Lock Washer	
94	339169X1	2	Nut Metric	
95	610220M1	2	Hinge	
96	339170X1	4	Screw	
97	339374X1	4	Lock Washer	
98	339169X1	4	Nut Metric	
99	414098M91	1	Lever	
100	1722862M91	2	Stem	
101	339763X1	2	Washer	
102	339076X1	2	Pin	
103	1706124M1	1	Spring	
104	GB1984	1	Chain	
105	405153M1	1	Rope	
106	346160X1	2	Pin	



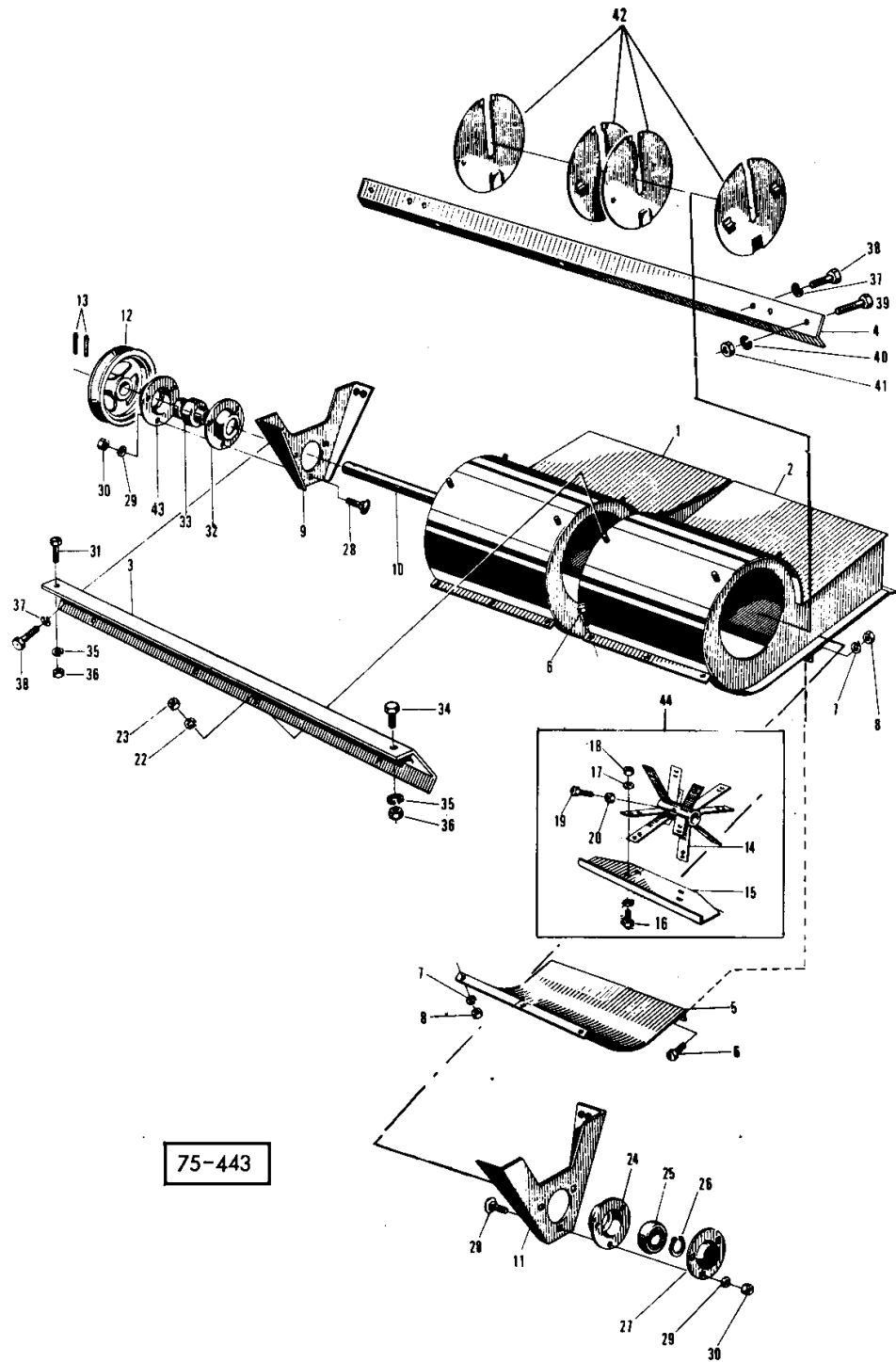
COMMANDE DE NETTOYEUR  
 REINIGUNGSANTRIEB  
 SHAKER SHOE DRIVE



SHAKER SHOE DRIVE

Item	Part Number	Qty	Description	Comments
1	417644M91	1	Support	
2	417648M1	1	Shaft	
3	1440493X1	2	Bearing Assy	
4	339126X1	1	Circlip	
5	417867M91	1	Pulley	
6	339192X1	2	Pin	
7	390533X1	2	Pin	
8	417649M91	1	Sprocket	Number of teeth/spines 19
9	329269X1	3	Bolt	
10	339376X1	3	Lock Washer	
11	339402X1	3	Nut Metric	
12	417653M91	1	Shaft	
13	414487M1	4	Flange	
14	339374X1	16	Lock Washer	
15	339124X1	16	Screw Metric	
16	390944X1	4	Washer	
17	417655M1	4	Pin	
18	414494M91	4	Cone	
	414495M1	4	Screw	
	390943X1	4	Pin	
19	339374X1	4	Lock Washer	
20	1440341X1	4	Screw Metric	
21	391013X1	1	Washer Metric	
22	417656M1	2	Plate	
23	414487M1	2	Flange	
24	339123X1	4	Screw Metric	
25	339761X1	8	Screw Metric	
26	339374X1	12	Lock Washer	
27	339169X1	12	Nut Metric	
28	414491M1	1	Cone	
29	339376X1	1	Lock Washer	
30	339814X1	1	Screw Metric	
31	391109X1	1	Washer Metric	
32	404572M1	1	Lever	
33	339310X1	1	Key Parallel	
34	390912X1	1	Screw Metric	
36	339054X1	1	Nut Metric	
37	417657M91	1	Arm	
38	390310X1	1	Circlip	
39	414487M1	1	Flange	
40	390379X1	4	Bolt Metric	
41	339374X1	4	Lock Washer	
42	339169X1	4	Nut Metric	
43	416047M1	1	Stud	
44	390186X1	1	Washer Metric	
45	339377X1	1	Lock Washer	
46	339623X1	1	Nut Metric	
47	390186X1	X	Washer Metric	
48	418986M91	1	Sprocket	
49	418989M1	1	Lining	
50	418990M91	1	Clutch	
51	609984M1	1	Plate	
52	418993M1	6	Pin	
53	609977M1	6	Spring	
54	339534X1	6	Washer Metric	
55	418985M91	1	Drive	(A)
	417643M91	1	Angle Trans.	(B)
				(A)
				WITH CLUTCHING
				(B)
				WITHOUT CLUTCHING

VENTILATEUR  
 GEBLASE  
 FANNING MILL



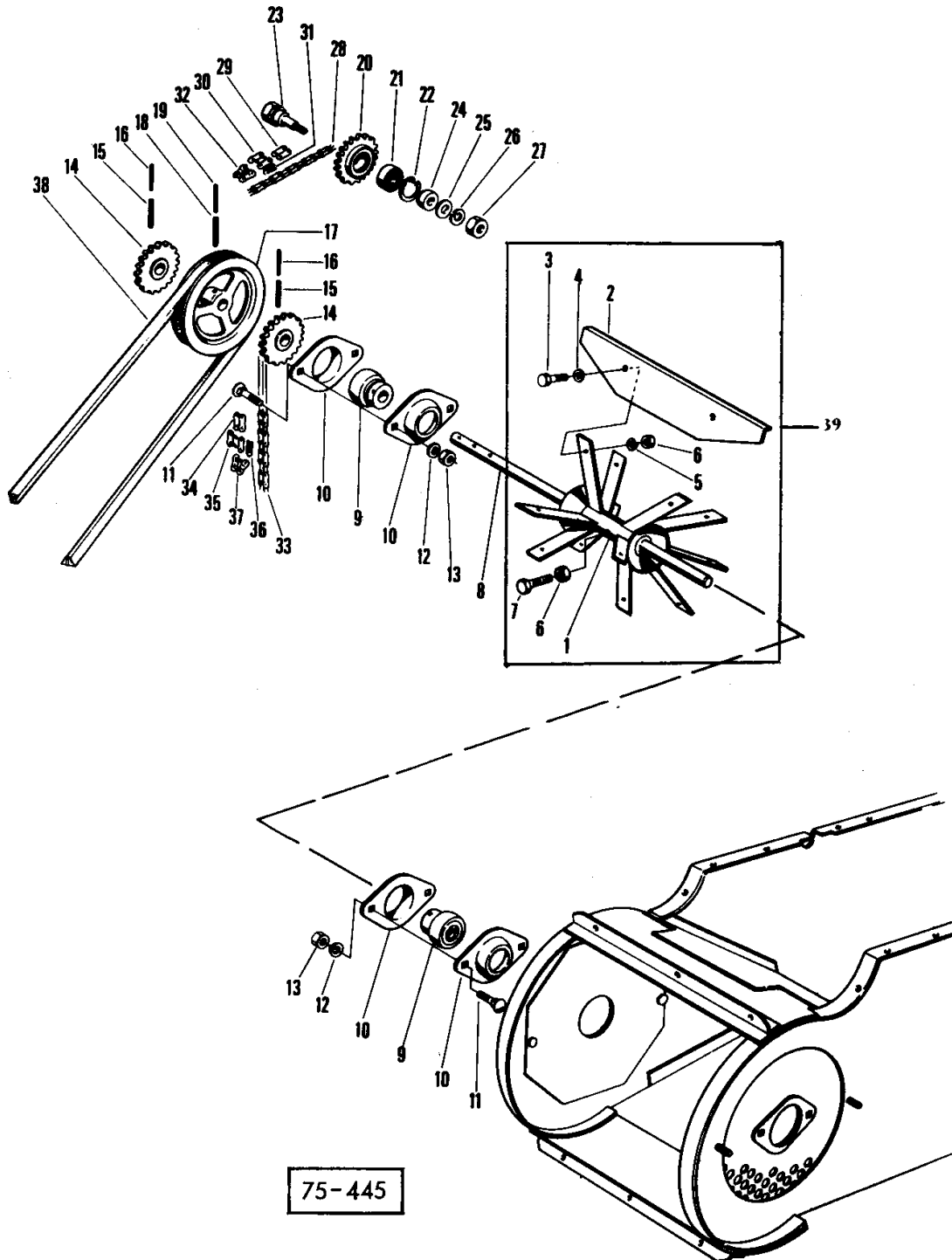
75-443

FANNING MILL

Item	Part Number	Qty	Description	Comments
1	417682M91	1	Housing	Right Hand
2	417687M91	1	Housing	Left Hand
3	417691M1	1	Carrier	
4	417692M1	1	Support	
5	402307M1	2	Plate	
6	339230X1	12	Screw Metric	
7	339375X1	12	Lock Washer	
8	339030X1	12	Nut Metric	
9	417693M91	1	Support	
10	417695M1	1	Shaft	
11	417696M91	1	Support	
12	417698M1	1	Pulley	
13	339052X1	2	Strip	
14	402284M91	2	Spider	
15	402288M1	12	Blade Cutter	
16	339560X1	48	Screw Metric	
17	339375X1	48	Lock Washer	
18	339030X1	48	Nut Metric	
19	390594X1	2	Bolt Metric	
20	339169X1	2	Nut Metric	
21	339023X1	48	Washer	
22	339374X1	8	Lock Washer	
23	339169X1	8	Nut Metric	
24	416688M1	1	Flange	
25	416690M1	1	Bearing	
26	611198M1	1	Segment	
27	416687M1	1	Flange	
28	339170X1	6	Screw	
29	339374X1	6	Lock Washer	
30	339169X1	6	Nut Metric	
31	339123X1	1	Screw Metric	
32	412315M1	1	Ring	
33	412260M1	1	Bearing Assy	
34	339761X1	1	Screw Metric	
35	339374X1	2	Lock Washer	
36	339169X1	2	Nut Metric	
37	339374X1	8	Lock Washer	
38	339124X1	8	Screw Metric	
39	339123X1	2	Screw Metric	
40	339374X1	2	Lock Washer	
41	339169X1	2	Nut Metric	
42	402725M91		Plate	(A)
43	412261M1	1	Ring	
44	402283M93	2	Fan	

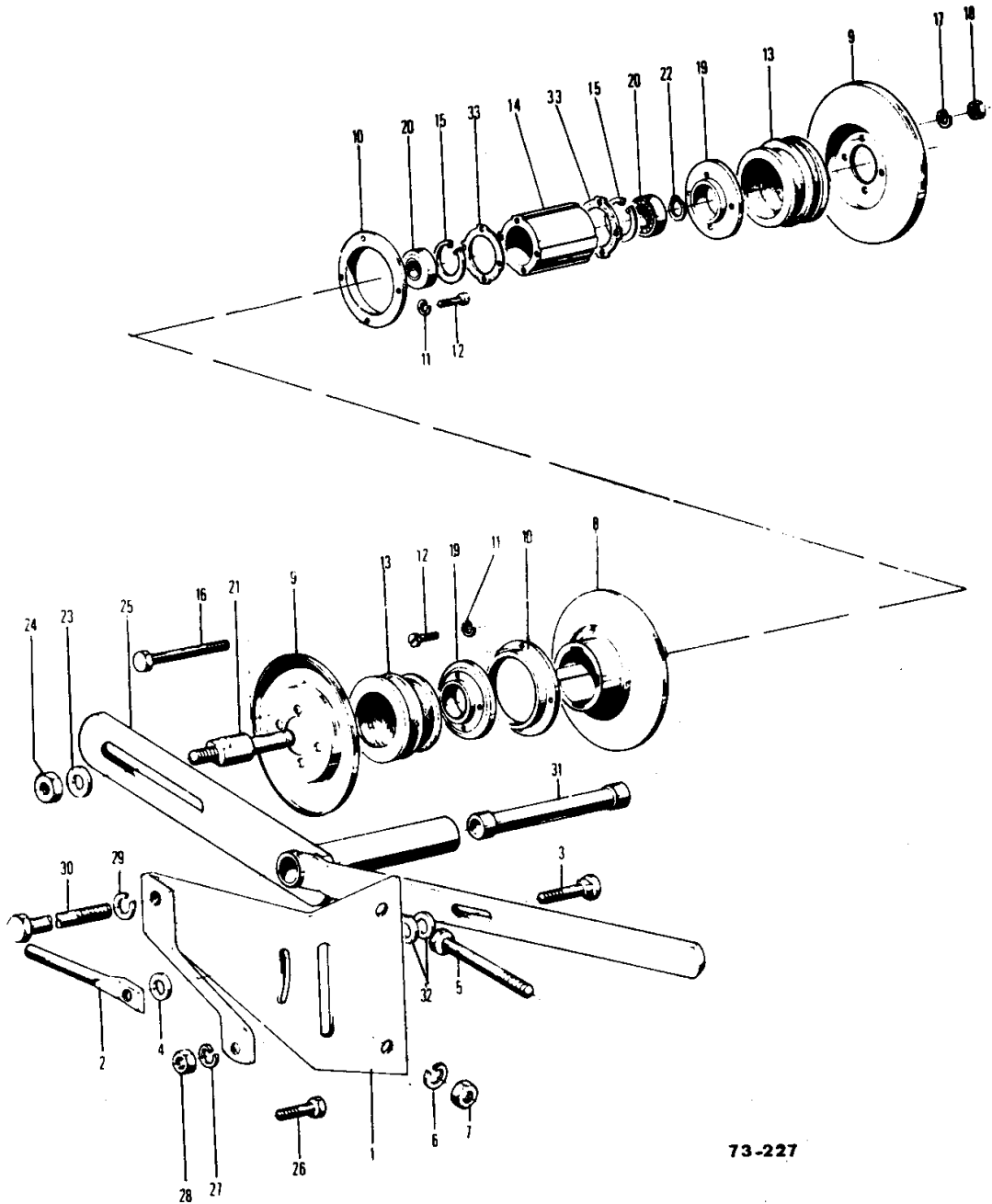
(A)  
FOR RAPE SEED

VENTILATEUR (RESERVOIR ENSACHEUR)  
 GEBLASE (TANK-ABSACKMASCHINEN)  
 FANNING MILL (BAGGER TANKER MACHINES)



Item	Part Number	Qty	Description	Comments
				BAGGER TANKER MACHINES
1	419484M91	1	Spider	
2	410498M1	6	Blade Cutter	
	323756M1	X	Weight	
3	339123X1	12	Screw Metric	
4	339817X1	12	Washer Metric	
5	339374X1	12	Lock Washer	
6	339169X1	13	Nut Metric	
7	390594X1	1	Bolt Metric	
8	1721727M1	1	Shaft	
9	658087M1	2	Bearing	
10	410559M1	4	Flange	
11	339247X1	4	Bolt	
12	339374X1	4	Lock Washer	
13	339169X1	4	Nut Metric	
14	419455M91	2	Sprocket	Number of teeth/spines 19
15	339071X1	2	Pin	
16	1440911X1	2	Pin	
17	1721712M1	1	Pulley	
18	339052X1	1	Strip	
19	339174X1	1	Pin	
20	324652M1	1	Sprocket	
21	339200X1	1	Bearing Ball	
22	339299X1	1	Screw Metric	
23	419381M1	1	Bolt	
24	1706329M1	1	Bush	
25	390346X1	1	Washer Metric	
26	339377X1	1	Lock Washer	
27	339682X1	1	Nut Metric	
28	1721709M91	1	Chain	
29	329202M91	35	Link	
30	329206M91	1	Link	
31		34		Not serviced, order 32
32	329203M91	34	Link	
33	1721726M91	1	Chain	
34	329202M91	87	Link	
35	329206M91	1	Link	
36		86		Not serviced, order 37
37	329203M91	86	Link	
38	1721710M1	1	Belt	
39	419483M91	1	Fan	

VARIATEUR DE VITESSE POUR VENTILATEUR  
 CERBLASEVERSTELLTRIEB  
 FANNING MILL ADJUSTMENT

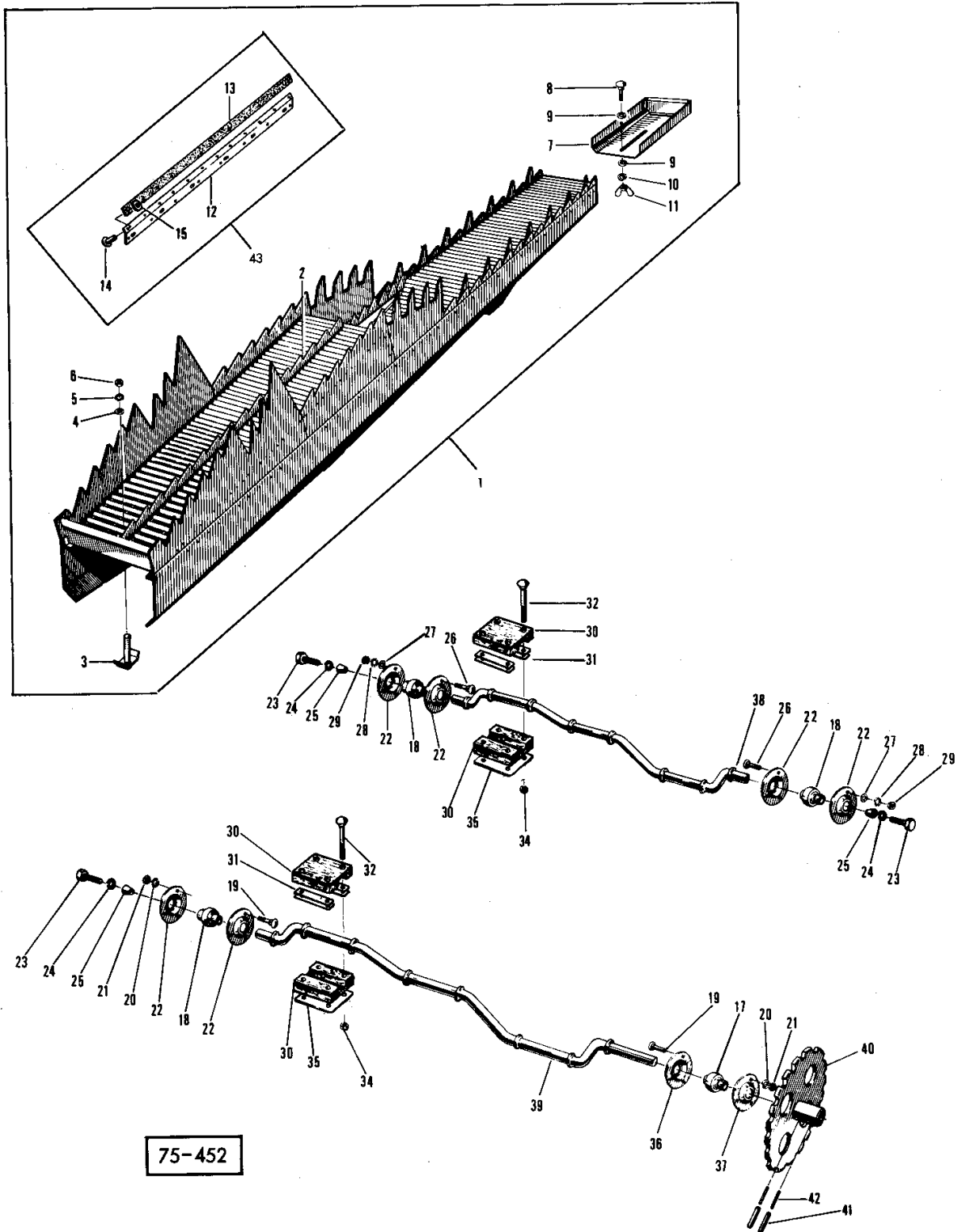


FANNING MILL ADJUSTMENT

Item	Part Number	Qty	Description
1	417792M91	1	Support
2	412444M1	1	Handle
3	339131X1	1	Bolt
4	339025X1	1	Washer Metric
5	339582X1	2	Bolt Metric
6	339376X1	2	Lock Washer
7	339402X1	2	Nut Metric
8	417796M1	1	Pulley
9	417798M1	2	Pulley
10	417799M1	2	Collar
11	339382X1	6	Lock Washer
12	390961X1	6	Screw Metric
13	417800M1	2	Gaiter
14	417801M1	1	Hub
15	339657X1	2	Circlip
16	339891X1	4	Screw Metric
17	621823M2	8	Washer
18	339169X1	4	Nut Metric
19	417802M1	2	Flange
20	1440343X1	2	Bearing Ball
21	410541M1	1	Pin
22	391062X1	1	Segment
23	339026X1	1	Washer Metric
24	339054X1	1	Nut Metric
25	417803M91	1	Lever
26	339401X1	1	Screw Metric
27	339376X1	1	Lock Washer
28	339402X1	1	Nut Metric
29	339376X1	1	Lock Washer
30	339649X1	1	Bolt Metric
31	401499M2	1	Axle
32	390672X1	2	Washer Metric
33	417806M1	2	Gasket



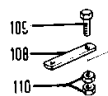
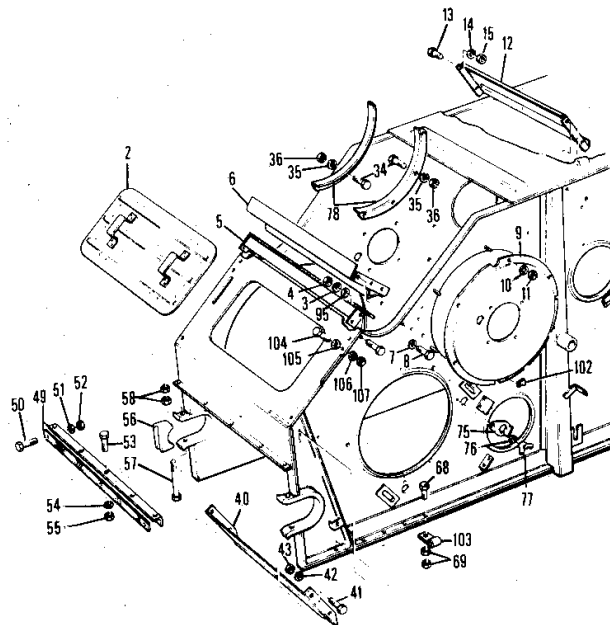
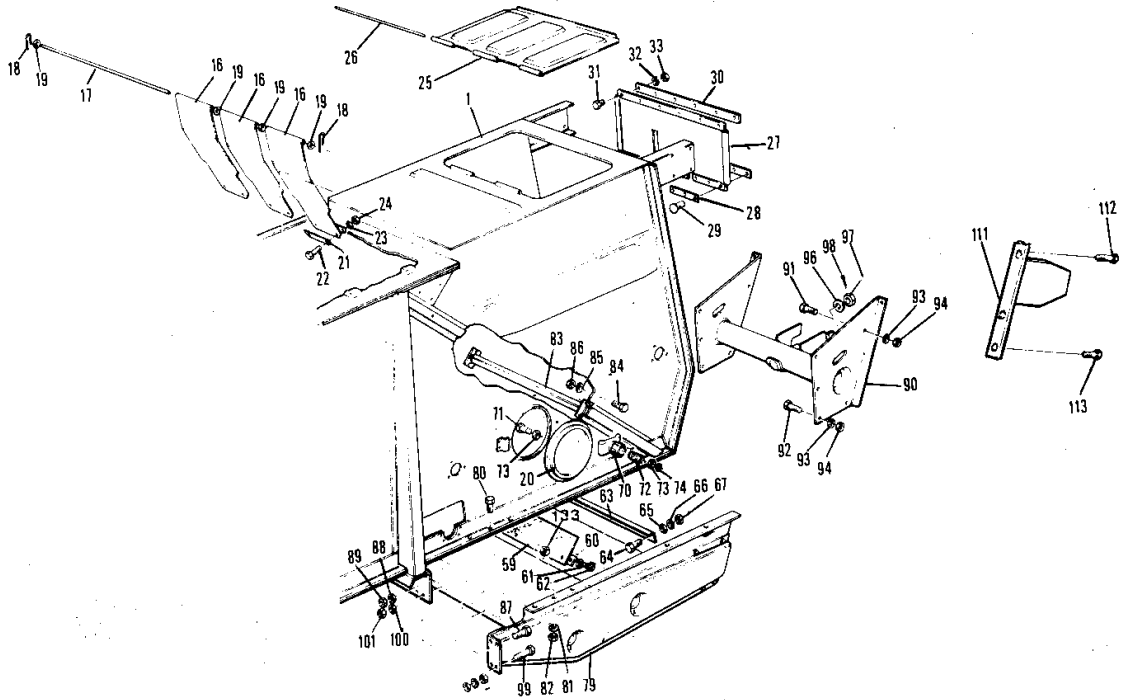
SECCUEUR ET COMMANDE  
 SCHÜTLER UND ANTRIEB  
 STRAW WALKERS AND DRIVE



STRAW WALKER DRIVE

Item	Part Number	Qty	Description	Comments
1	417591M91	1	Walker	
	417614M91	1	Walker	Left Hand
	417611M91	1	Walker	Right Hand
2		1		Not serviced, order 1
3	401299M91	3	Bolt	
4	339023X1	3	Washer	
5	339375X1	3	Lock Washer	
6	339030X1	3	Nut Metric	
7	417881M91	1	Extension	
8	390018X1	2	Bolt	
9	339697X1	4	Washer	
10	339374X1	2	Lock Washer	
11	339106X1	2	Nut Metric	
12	905325M1	1	Seal	
13	401306M1	1	Seal	
14	391465X1	12	Rivet	
15	390468X1	12	Washer Metric	
17	412260M1	1	Bearing Assy	
18	831112M1	3	Bearing	
19	339170X1	6	Screw	
20	339374X1	6	Lock Washer	
22	417624M1	6	Flange	
23	1441757X1	3	Screw Metric	
24	339376X1	3	Lock Washer	
25	414491M1	3	Cone	
26	339170X1	6	Screw	
27	339817X1	6	Washer Metric	
29	339169X1	6	Nut Metric	
30	414796M91	6	Bearing	
	414797M1	12	Bearing	
31	414798M1	24	Shim	
32	339421X1	24	Bolt Metric	
34	1441461X1	24	Nut Metric	
35	415080M1	6	Plate	
36	412315M1	1	Ring	
37	412261M1	1	Ring	
38	417615M91	1	Crankshaft	
39	417617M91	1	Crankshaft	
40	417619M91	1	Sprocket	Number of teeth/spines 29
42	339304X1	2	Pin	
43	905326M91	1	Bracket	

BATI (PARTIES FIXES)  
 MASCHINENGEHAUSE (FESTSTEHENDE)  
 MACHINE HOUSING (FIXED COMPONENTS)



75-458

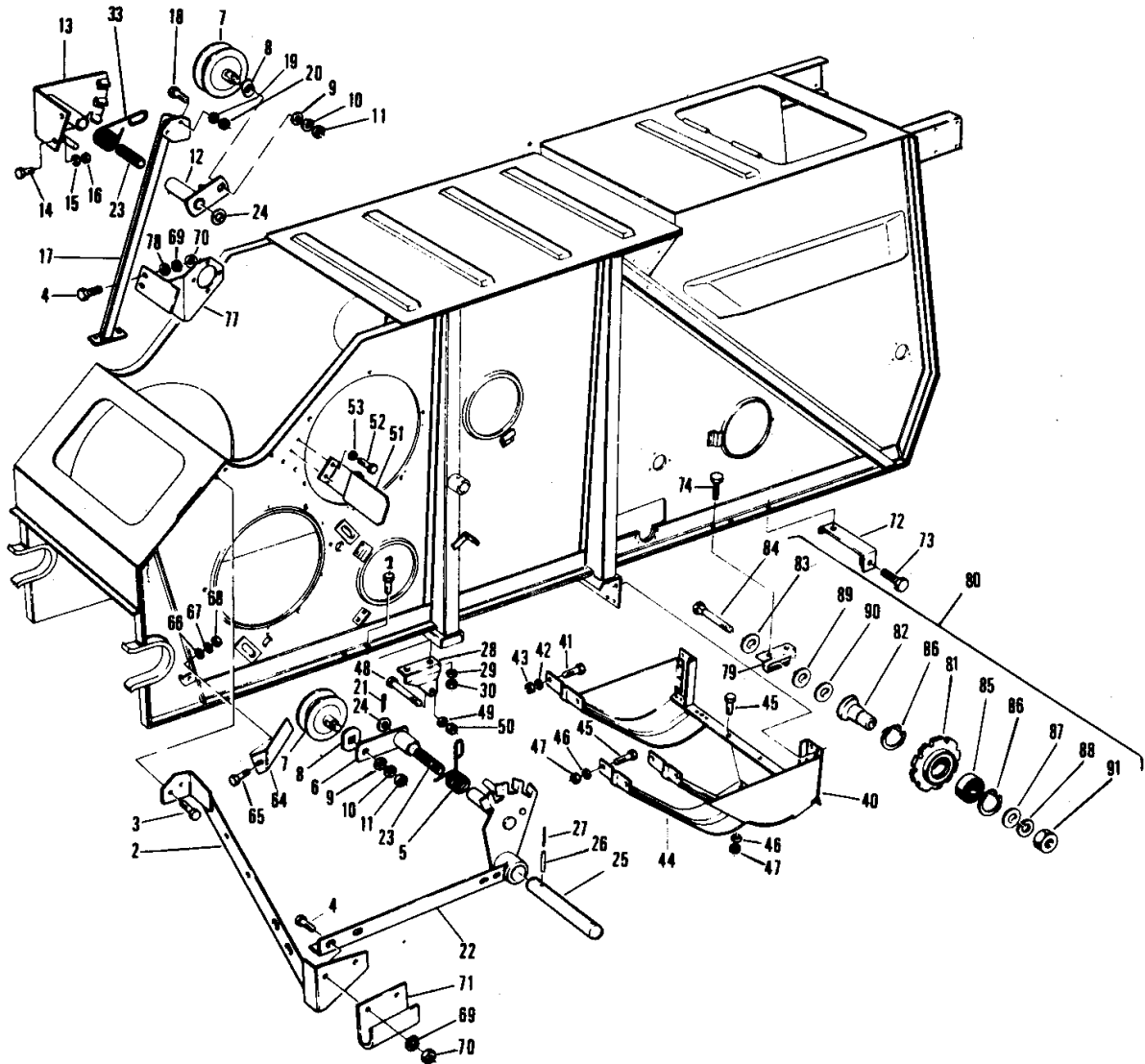
Item	Part Number	Qty	Description	Comments
				FIXED COMPONENTS
1	917217M91	1	Frame	
2	418385M91	1	Door	
3	339376X1	2	Lock Washer	
4	339402X1	2	Nut Metric	
5	1722153M91	1	Skimmershank	
	1722152M1	1	Gasket	
6	418399M91	1	Scraper	
7	339376X1	6	Lock Washer	
8	339401X1	4	Screw Metric	
	339451X1	2	Screw Metric	
	390734X1	6	Washer Metric	
9	412634M92	1	Plate	
10	339374X1	6	Lock Washer	
11	339169X1	6	Nut Metric	
12	418410M1	1	Bearer	
13	339124X1	4	Screw Metric	
14	339374X1	4	Lock Washer	
15	339169X1	4	Nut Metric	
16	1721217M1	3	Deflector	
	1723362M91	1	Deflector	(A)
17	1722289M1	2	Clevis Pin	
18	327669M1	2	Pin	
19	391593X1	8	Washer Metric	
20	418412M1	5	Door	
21	412639M1	6	Weight	
22	339666X1	6	Screw Metric	
23	339375X1	6	Lock Washer	
24	339030X1	6	Nut Metric	
25	418413M1	1	Plate	
26	404660M1	1	Stem	
27	418414M91	1	Curtain	
	418415M1	1	Curtain	
28	401830M1	6	Weight	
29	339109X1	9	Rivet	
30	418416M1	1	Plate	
31	339123X1	6	Screw Metric	
32	339374X1	6	Lock Washer	
33	339169X1	6	Nut Metric	
34	390903X1	8	Screw Metric	
35	339375X1	8	Lock Washer	
36	339030X1	8	Nut Metric	
40	418433M1	1	Skimmershank	
41	339124X1	4	Screw Metric	
42	339374X1	4	Lock Washer	
43	339169X1	4	Nut Metric	
49	412629M91	1	Gasket	
50	339401X1	2	Screw Metric	
51	339376X1	2	Lock Washer	
52	339402X1	2	Nut Metric	
53	339123X1	5	Screw Metric	
54	339374X1	5	Lock Washer	
55	339169X1	5	Nut Metric	
56	621288M1	2	Bearing	
57	621289M1	2	Bolt	
58	339079X1	4	Nut	
59	401840M1	1	Joint	
60	403999M1	1	Shield	
61	339375X1	9	Lock Washer	
62	339560X1	9	Screw Metric	
63	404850M1	9	Angle	
64	339560X1	1	Screw Metric	
65	339692X1	6	Washer	
66	339375X1	6	Lock Washer	
67	339030X1	6	Nut Metric	
68	391375X1	10	Screw Metric	
69	339054X1	20	Nut Metric	
70	418443M1	5	Fastener	
71	418444M1	5	Pin	
72	418445M1	5	Spring	

MACHINE HOUSING - FIXED COMPONENTS

Item	Part Number	Qty	Description	Comments
73	339817X1	6	Washer Metric	
74	1440988X1	5	Clip	
75	418446M1	4	Plate	
76	339374X1	4	Lock Washer	
77	339106X1	4	Nut Metric	
78	411950M1	2	Cowl	
79	418450M91	1	Plate	
80	339123X1	7	Screw Metric	
81	339374X1	10	Lock Washer	
82	339169X1	10	Nut Metric	
83	418463M91	1	Reinforcement	
84	390379X1	4	Bolt Metric	
85	339374X1	4	Lock Washer	
86	339169X1	4	Nut Metric	
87	339401X1	4	Screw Metric	
88	339376X1	4	Lock Washer	
89	339402X1	4	Nut Metric	
90	1726016M91	1	Bearer	
91	418471M1	4	Bolt	
92	339401X1	10	Screw Metric	
93	339376X1	14	Lock Washer	
94	339402X1	14	Nut Metric	
95	339025X1	4	Washer Metric	
96	415547M1	1	Washer	
97	390761X1	1	Nut Metric	
98	339040X1	1	Pin	
99	339451X1	4	Screw Metric	
100	339376X1	4	Lock Washer	
101	339402X1	4	Nut Metric	
102	401864M1	1	Bridle	
103	418478M1	1	Strap	
104	339666X1	3	Screw Metric	
105	390971X1	3	Washer Metric	
106	339375X1	3	Lock Washer	
107	339030X1	3	Nut Metric	
108	419109M1	2	Plate	
109	339208X1	4	Screw	
110	339054X1	8	Nut Metric	
111	1726013M91	2	Catch	
112	339814X1	2	Screw Metric	
	339376X1	2	Lock Washer	
	339402X1	2	Nut Metric	
113	339451X1	4	Screw Metric	
	339376X1	4	Lock Washer	
	339402X1	4	Nut Metric	
133	339030X1	9	Nut Metric	

(A)  
AUSTRIA

BATI (PARTIES MOBILES)  
 MASCHINENGEHALUSE (ROTIERENDETEILE)  
 MACHINE HOUSING (ROTATING COMPONENTS)



73-230

MACHINE HOUSING (ROTATING COMPONENTS)

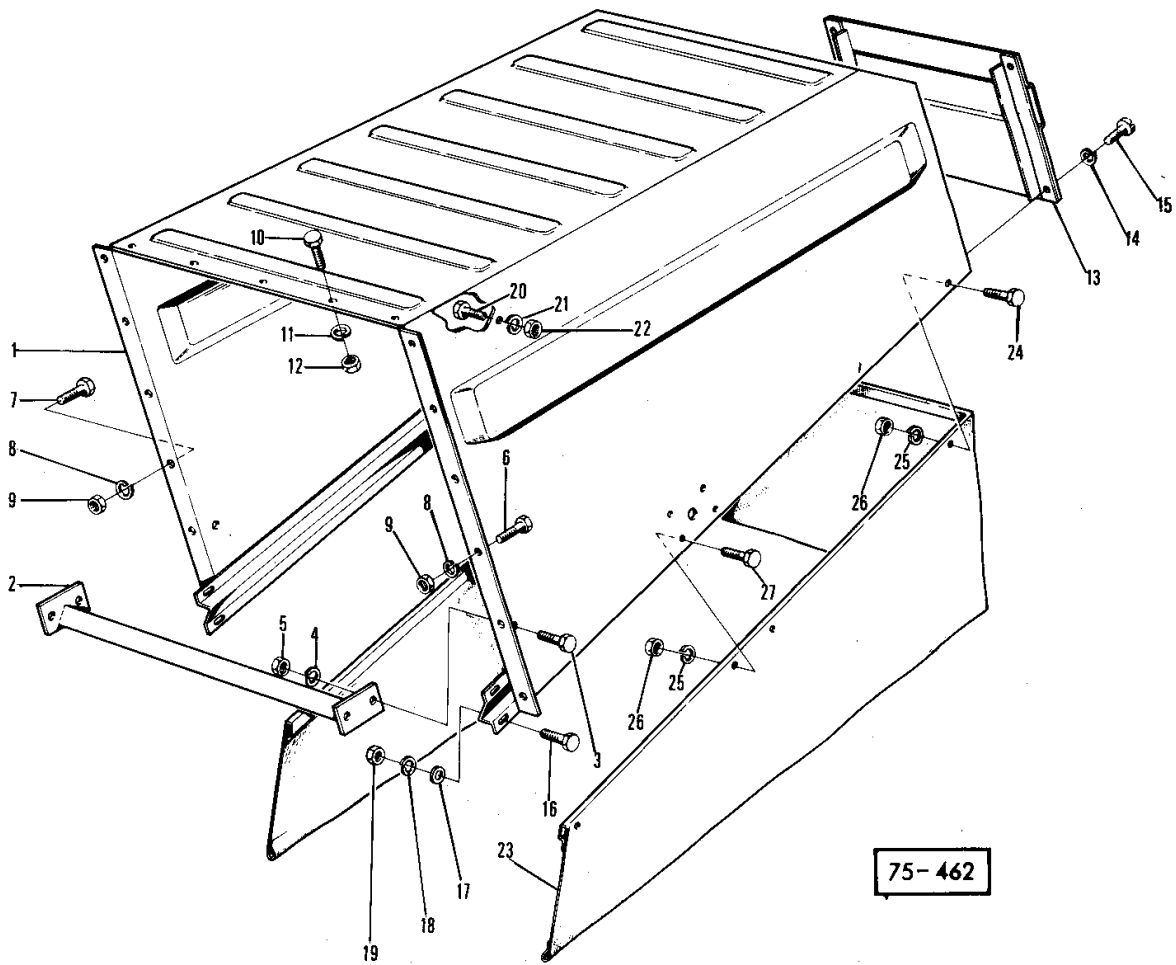
Item	Part Number	Qty	Description	Comments
1	339401X1	2	Screw Metric	
2	418388M91	1	Brace	Left Hand
3	339451X1	2	Screw Metric	
4	339401X1	4	Screw Metric	
5	418406M1	1	Spring	
6	418407M91	1	Lever	
7	416580M91	2	Pulley	
8	416584M1	2	Washer	
9	339072X1	2	Washer	
10	339380X1	2	Washer	
11	339070X1	2	Nut	
12	418417M91	1	Lever	
13	418419M91	1	Quadrant	
14	339401X1	2	Screw Metric	
15	339376X1	2	Lock Washer	
16	339402X1	2	Nut Metric	
17	418423M91	1	Brace	(A) Right Hand
	1724148M91	1	Bearer	(B) Right Hand
18	339451X1	4	Screw Metric	
19	339376X1	4	Lock Washer	
20	339402X1	4	Nut Metric	
21	391371X1	2	Pin	
22	418427M91	1	Quadrant	
23	418431M1	2	Bearing	
24	391393X1	2	Washer Metric	
25	418432M1	1	Shaft	
26	339307X1	2	Roll Pin	
27	339349X1	2	Pin	
28	418447M1	1	Suspension	
29	339376X1	2	Lock Washer	
30	339402X1	2	Nut Metric	
33	418464M1	1	Spring	(A)
	1724150M1	1	Spring	(B)
40	418489M91	1	Plate	
41	339124X1	6	Screw Metric	
42	339374X1	6	Lock Washer	
43	339169X1	6	Nut Metric	
44	418490M1	1	Plate	
45	339124X1	2	Screw Metric	
46	339374X1	2	Lock Washer	
47	339169X1	2	Nut Metric	
48	339733X1	1	Bolt Metric	
49	339648X1	1	Washer	
50	339647X1	1	Nut Metric	
51	418402M91	1	Guide	
53	339123X1	2	Screw Metric	
	339374X1	2	Lock Washer	
64	418480M1	1	Anglepiece	
65	339560X1	1	Screw Metric	
66	339692X1	1	Washer	
67	339375X1	1	Lock Washer	
68	339030X1	1	Nut Metric	
69	339376X1	4	Lock Washer	
70	339402X1	4	Nut Metric	
71	1721821M1	1	Bearer	
72	916188M91	1	Bracket	
73	339761X1	1	Screw Metric	
74	339761X1	2	Screw Metric	
77	1721735M91	1	Support	(A)
	1724348M91	1	Bearer	(B)
78	339025X1	2	Washer Metric	
79	1723636M1	1	Support	
80	404854M93	1	Tensioner	
81	404726M91	1	Sprocket	
82	404737M3	1	Bush	
84	390647X1	1	Bolt Metric	
85	339932X1	1	Bearing Assy	
86	339657X1	2	Circlip	

**MACHINE HOUSING (ROTATING COMPONENTS)**

<b>Item</b>	<b>Part Number</b>	<b>Qty</b>	<b>Description</b>	<b>Comments</b>
87	391158X1	1	Washer Metric	
88	339376X1	1	Lock Washer	
89	390670X1	X	Washer Metric	
90	390672X1	X	Washer Metric	
91	339402X1	1	Nut Metric	
			(A)	
			Up to Serial or Engine Number 4436	
			Up to Serial or Engine Number 3906	
			AUSTRIA	
			(B)	
			From Serial or Engine Number 4437	
			From Serial or Engine Number 3907	
			AUSTRIA	



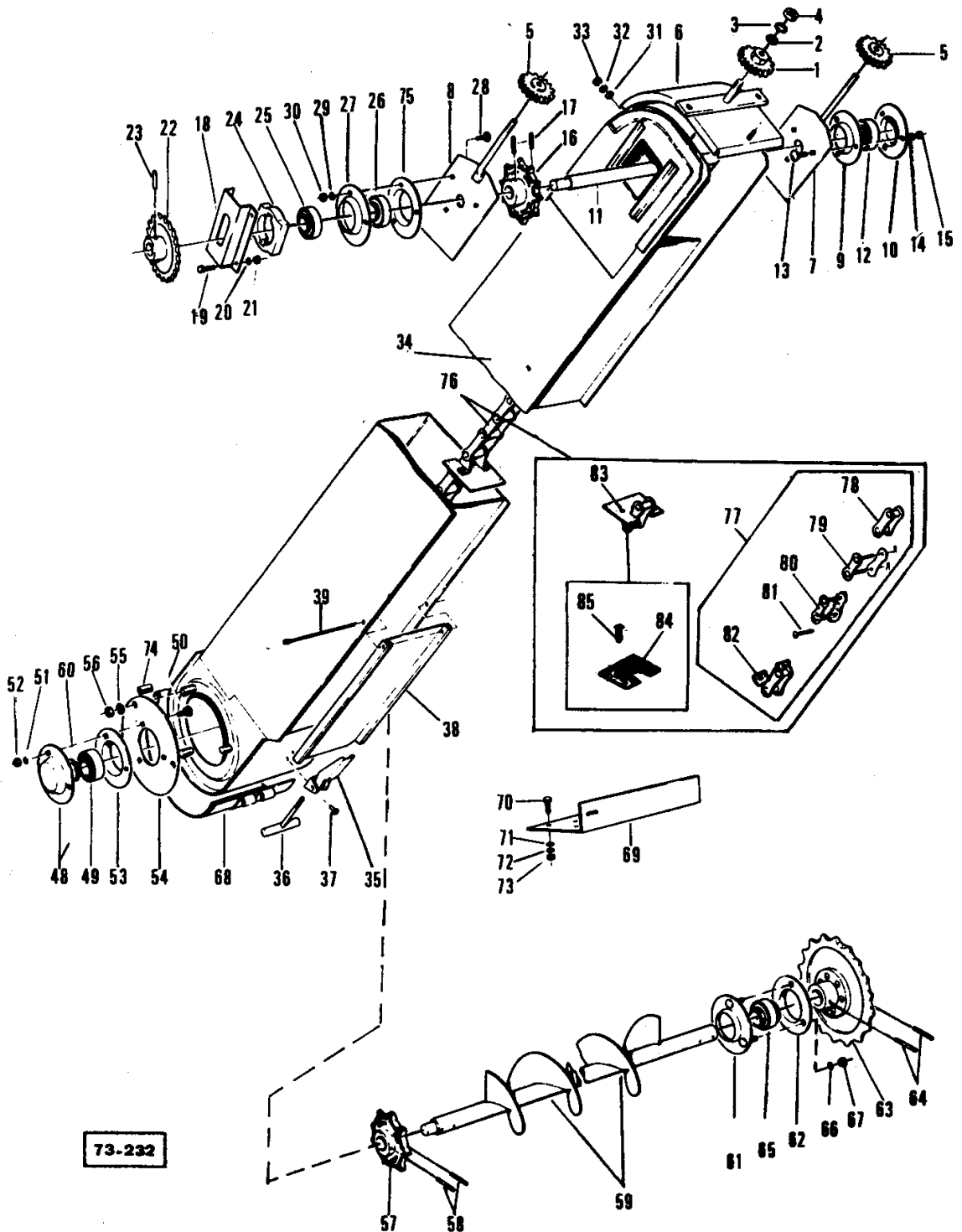
HOTTE  
ABSCHLUSSHAUBE  
HOOD



**HOOD**

<b>Item</b>	<b>Part Number</b>	<b>Qty</b>	<b>Description</b>
1	417508M91	1	Hood
2	417521M91	1	Transverse
3	390379X1	4	Bolt Metric
4	339374X1	4	Lock Washer
5	339169X1	4	Nut Metric
6	390379X1	11	Bolt Metric
7	339123X1	1	Screw Metric
8	339374X1	12	Lock Washer
9	339169X1	12	Nut Metric
10	339124X1	5	Screw Metric
11	339374X1	5	Lock Washer
12	339169X1	5	Nut Metric
13	418481M91	1	Cover
14	339374X1	4	Lock Washer
15	339043X1	4	Screw Metric
16	390379X1	4	Bolt Metric
17	391166X1	4	Washer Metric
18	339374X1	4	Lock Washer
19	339169X1	4	Nut Metric
20	339282X1	2	Screw Metric
21	339376X1	2	Lock Washer
22	339402X1	2	Nut Metric
23	418484M91	1	Canvas
24	339666X1	6	Screw Metric
25	339375X1	10	Lock Washer
26	339030X1	10	Nut Metric
27	339804X1	4	Screw Metric

ELEVATEUR A GRAINS  
KORNERELEVATOR  
GRAIN ELEVATOR



73-232

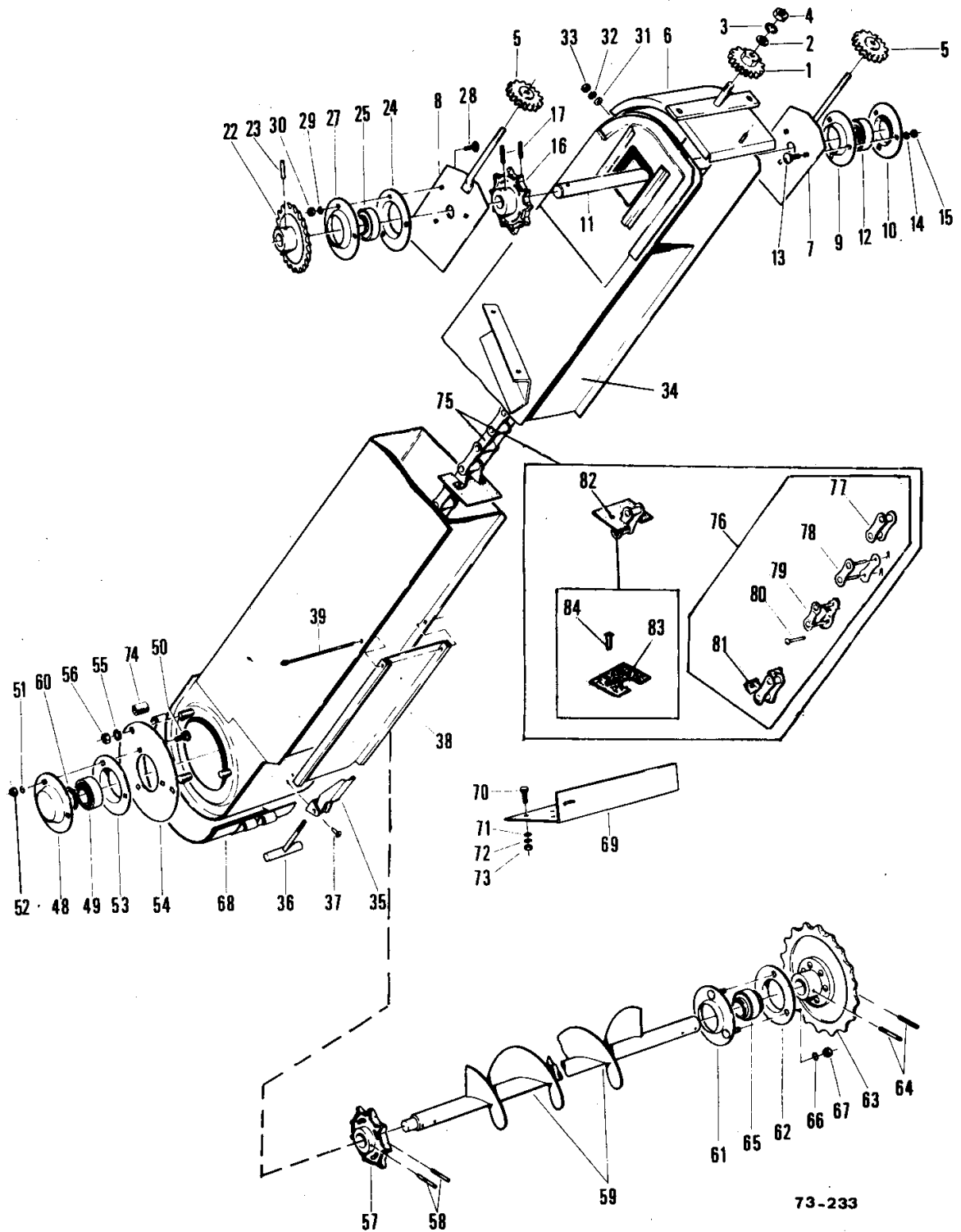
**GRAIN ELEVATOR**

Item	Part Number	Qty	Description	Comments
1	417885M1	1	Sprocket	Number of teeth/spines 15
2	339026X1	1	Washer Metric	
3	339369X1	1	Lock Washer	
4	339054X1	1	Nut Metric	
5	417886M1	2	Sprocket	Number of teeth/spines 15
6	417887M91	1	Plate	
7	417892M91	1	Plate	
8	417895M91	1	Plate	
9	417896M1	1	Flange	
10	417897M1	1	Flange	
11	417898M1	1	Shaft	
12	417899M1	1	Bearing	
13	339247X1	3	Bolt	
14	339374X1	3	Lock Washer	
15	339169X1	3	Nut Metric	
16	414308M1	1	Sprocket	Number of teeth/spines 8
17	339052X1	2	Strip	
18	417900M1	1	Support	
19	339123X1	2	Screw Metric	
20	339374X1	2	Lock Washer	
	391166X1	2	Washer Metric	
21	339169X1	2	Nut Metric	
22	403508M91	1	Sprocket	Number of teeth/spines 21
23	339783X1	1	Pin	Number of teeth/spines 21
24	417902M1	1	Bearing	
25	412243M1	1	Bearing	
26	412243M1	1	Bearing	
27	412245M1	1	Ring	
28	339247X1	3	Bolt	
29	339169X1	3	Nut Metric	
30	339169X1	3	Nut Metric	
31	339056X1	1	Washer Metric	
32	339374X1	1	Lock Washer	
33	339169X1	1	Nut Metric	
34	417905M91	1	Elevator	
	417905M91	1	Elevator	
35	416461M91	1	Fastener	
36	417472M91	1	Knotter Hook	
37	339431X1	2	Rivet	
38	404166M1	1	Door	
39	390596X1	1	Pin	
48	416687M1	1	Flange	
49	416690M1	1	Bearing	
50	339170X1	3	Screw	
51	339374X1	3	Lock Washer	
52	339169X1	3	Nut Metric	
53	416688M1	1	Flange	
54	417913M1	1	Plate	
55	339374X1	3	Lock Washer	
56	339169X1	3	Nut Metric	
57	414462M1	1	Sprocket	Number of teeth/spines 8
58	339052X1	2	Strip	
59	417914M91	1	Auger	
60	1440475X1	1	Circlip	
61	419143M91	1	Flange	
62	412261M1	1	Ring	
63	413411M91	1	Sprocket	Number of teeth/spines 19
64	339052X1	2	Strip	
65	412260M2	1	Bearing	
66	339374X1	3	Lock Washer	
67	339169X1	3	Nut Metric	
68	418220M91	1	Door	
69	417918M1	1	Bearer	
70	390379X1	4	Bolt Metric	
71	339024X1	4	Washer Metric	
72	339374X1	4	Lock Washer	
73	339169X1	4	Nut Metric	
74	320617M1	2	Sleeve	
75	411745M1	1	Ring	
76	405347M91	1	Chain	

**GRAIN ELEVATOR**

<b>Item</b>	<b>Part Number</b>	<b>Qty</b>	<b>Description</b>	<b>Comments</b>
77	329013M91	1	Chain	
78	329176M91	33	Link	
79	329797M91	1	Connecting Link	
80	329195M91	66	Link	
81	329847M91	X	Clevis Pin	
82	329177M91	34	Link	
83	412015M91	34	Link	
84	404184M1	34	Plate	
85	390062X1	68	Rivet	

ELEVATEUR A GRAINS LONG (RESERVOIR ENSACHEUR)  
 KORNERELEVATOR, LANG (TANK ABSACKMASCHINEN)  
 GRAIN ELEVATOR LONG (BAGGER TANKER MACHINES)



GRAIN ELEVATOR - BAGGER TANKER MACHINES

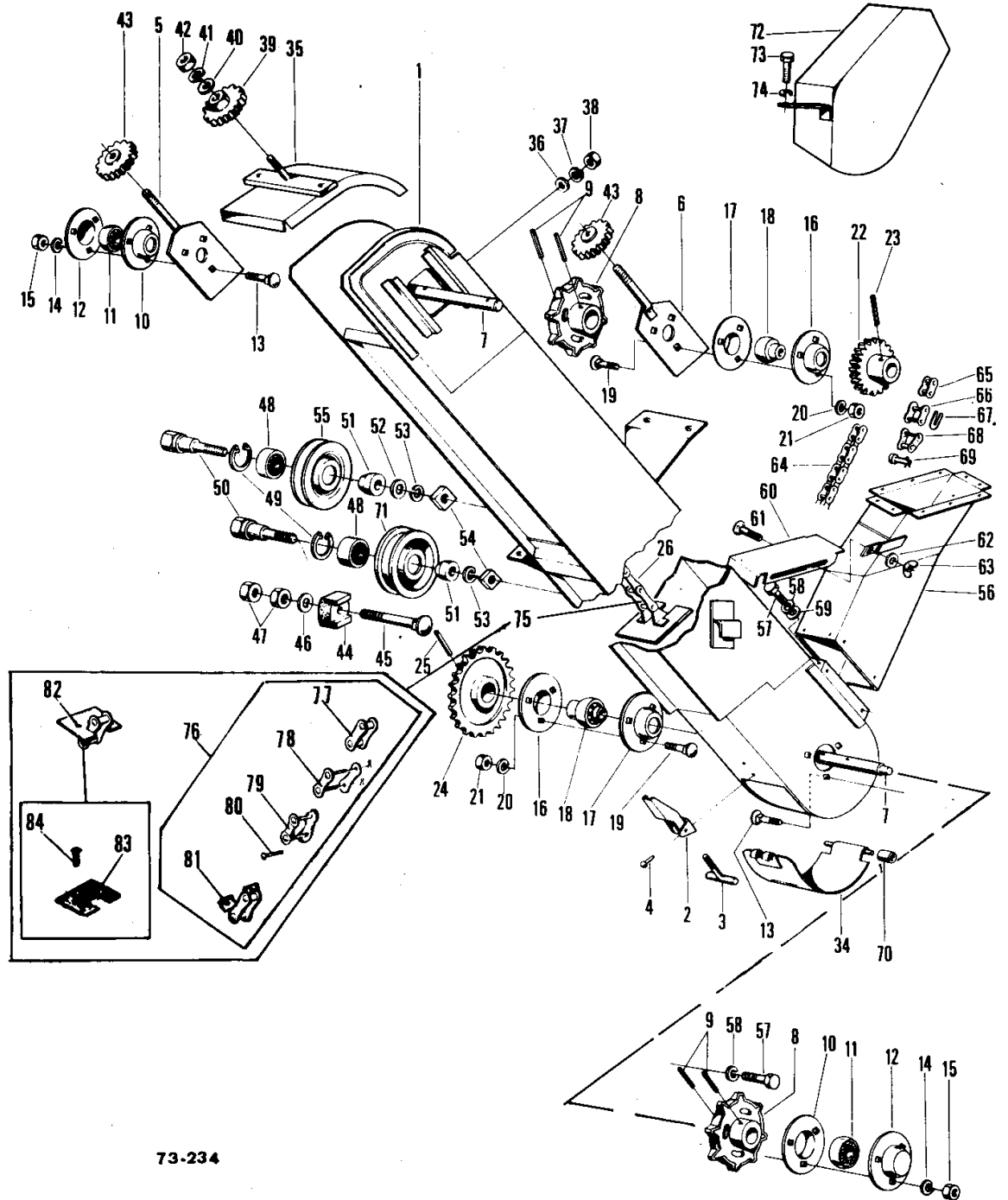
Item	Part Number	Qty	Description	Comments
				BAGGER TANKER MACHINES
1	417085M1	1	Sprocket	Number of teeth/spines 15
2	339026X1	1	Washer Metric	
3	339369X1	1	Lock Washer	
4	339054X1	1	Nut Metric	
5	417886M1	2	Sprocket	Number of teeth/spines 15
6	417887M91	1	Plate	
7	417892M91	1	Plate	
8	417895M91	1	Plate	
9	417896M1	1	Flange	
10	417897M1	1	Flange	
11	419144M1	1	Shaft	
12	417899M1	1	Bearing	
13	339247X1	3	Bolt	
14	339374X1	3	Lock Washer	
15	339169X1	3	Nut Metric	
16	414308M1	1	Sprocket	
17	339052X1	2	Strip	
22	403508M91	1	Sprocket	Number of teeth/spines 21
23	339783X1	1	Pin	
24	411745M1	1	Ring	
25	412243M1	1	Bearing	
27	412245M1	1	Ring	
28	339247X1	3	Bolt	
29	339374X1	3	Lock Washer	
30	339169X1	3	Nut Metric	
31	339056X1	1	Washer Metric	
32	339374X1	1	Lock Washer	
33	339169X1	1	Nut Metric	
34	419145M91	1	Elevator	
35	417461M91	1	Fastener	
36	417472M91	1	Knotter Hook	
37	339431X1	2	Rivet	
38	404166M1	1	Door	
39	390596X1	1	Pin	
48	416687M1	1	Flange	
49	416690M1	1	Bearing	
50	339170X1	3	Screw	
51	339374X1	3	Lock Washer	
52	339169X1	3	Nut Metric	
53	416688M1	1	Flange	
54	417913M1	1	Plate	
55	339374X1	3	Lock Washer	
56	339169X1	3	Nut Metric	
57	414462M1	1	Sprocket	Number of teeth/spines 8
58	339052X1	2	Strip	
59	417914M91	1	Auger	
60	1440475X1	1	Circlip	
61	419143M91	1	Flange	
62	412261M1	1	Ring	
63	413411M91	1	Sprocket	Number of teeth/spines 19
64	339052X1	2	Strip	
65	412260M1	1	Bearing Assy	
66	339374X1	3	Lock Washer	
67	339169X1	3	Nut Metric	
38	418220M91	1	Door	
69	417918M1	1	Bearer	
70	390379X1	4	Bolt Metric	
71	339024X1	4	Washer Metric	
72	339374X1	4	Lock Washer	
73	339169X1	4	Nut Metric	
74	320617M1	2	Sleeve	
75	419150M91	1	Chain	
76	419151M91	1	Chain	
77	329176M91	37	Link	
78	329797M91	1	Connecting Link	
79	329195M91	74	Link	
80	329847M91	X	Clevis Pin	
81	329177M91	38	Link	
82	412015M91	38	Link	

**MASSEY FERGUSON****MF 187 COMBINE - 419195****419195****GRAIN ELEVATOR - BAGGER TANKER MACHINES****103**

<b>Item</b>	<b>Part Number</b>	<b>Qty</b>	<b>Description</b>	<b>Comments</b>
83	404184M1	38	Plate	
84	390062X1	76	Rivet	



ELEVATEUR A GRAINS COURT (RESERVOIR ENSACHEUR)  
 KORNERELEVATOR KURZ (TANK ABSACKMASCHINEN)  
 GRAIN ELEVATOR SHORT (BAGGER TANKER MACHINES)



73-234

GRAIN ELEVATOR - BAGGER TANKER MACHINES

Item	Part Number	Qty	Description	Comments
				BAGGER TANKER MACHINES
1	419361M91	1	Elevator	
2	417461M91	1	Fastener	
3	417472M91	1	Knotter Hook	
4	339431X1	2	Rivet	
5	417892M91	1	Plate	
6	417895M91	1	Plate	
7	419144M1	2	Shaft	
8	414308M1	2	Sprocket	Number of teeth/spines 8
9	339052X1	4	Strip	
10	417896M1	2	Flange	
11	417899M1	2	Bearing	
12	417897M1	2	Flange	
13	339247X1	6	Bolt	
14	339374X1	6	Lock Washer	
15	339169X1	6	Nut Metric	
16	412245M1	2	Ring	
17	411745M1	2	Ring	
18	412243M1	2	Bearing	
19	339247X1	6	Bolt	
20	339374X1	6	Lock Washer	
21	339169X1	6	Nut Metric	
22	403508M91	1	Sprocket	Number of teeth/spines 21
23	339783X1	1	Pin	
24	419376M91	1	Sprocket	Number of teeth/spines 41
25	339052X1	1	Strip	
33	390062X1	40	Rivet	
34	419379M91	1	Door	
35	417887M91	1	Plate	
36	339056X1	1	Washer Metric	
37	339374X1	1	Lock Washer	
38	339169X1	1	Nut Metric	
39	417885M1	1	Sprocket	Number of teeth/spines 15
40	339026X1	1	Washer Metric	
41	339369X1	1	Lock Washer	
42	339054X1	1	Nut Metric	
43	417886M1	2	Sprocket	Number of teeth/spines 15
44	401256M1	1	Tensioner	
45	339158X1	1	Bolt	
46	390652X1	1	Washer Metric	
47	339169X1	2	Nut Metric	
48	339200X1	2	Bearing Ball	
49	339199X1	2	Ring	
50	419381M1	2	Bolt	
51	1706329M1	2	Bush	
52	390346X1	1	Washer Metric	
53	339377X1	2	Lock Washer	
54	419382M1	2	Nut	
55	419383M1	1	Pulley	
56	419384M91	1	Channel	
57	339560X1	6	Screw Metric	
58	339375X1	6	Lock Washer	
59	339692X1	2	Washer	
60	419392M1	1	Plate	
61	339170X1	1	Screw	
62	390972X1	1	Washer Metric	
63	339106X1	1	Nut Metric	
64	418735M91	1	Chain	
65	329202M91	32	Link	
	329203M91	31	Link	
66	329206M91	1	Link	
67	329020M1	X	Lock	
68	329210M91	X	Cranked Link	
69	329849M91	X	Clevis Pin	
70	320617M1	2	Sleeve	
71	419417M1	1	Pulley	
72	419265M91	1	Cowl	
73	391074X1	1	Screw Metric	
74	1440998X1	1	Washer	
75	419377M91	1	Chain	

**MASSEY FERGUSON****MF 187 COMBINE - 419195**

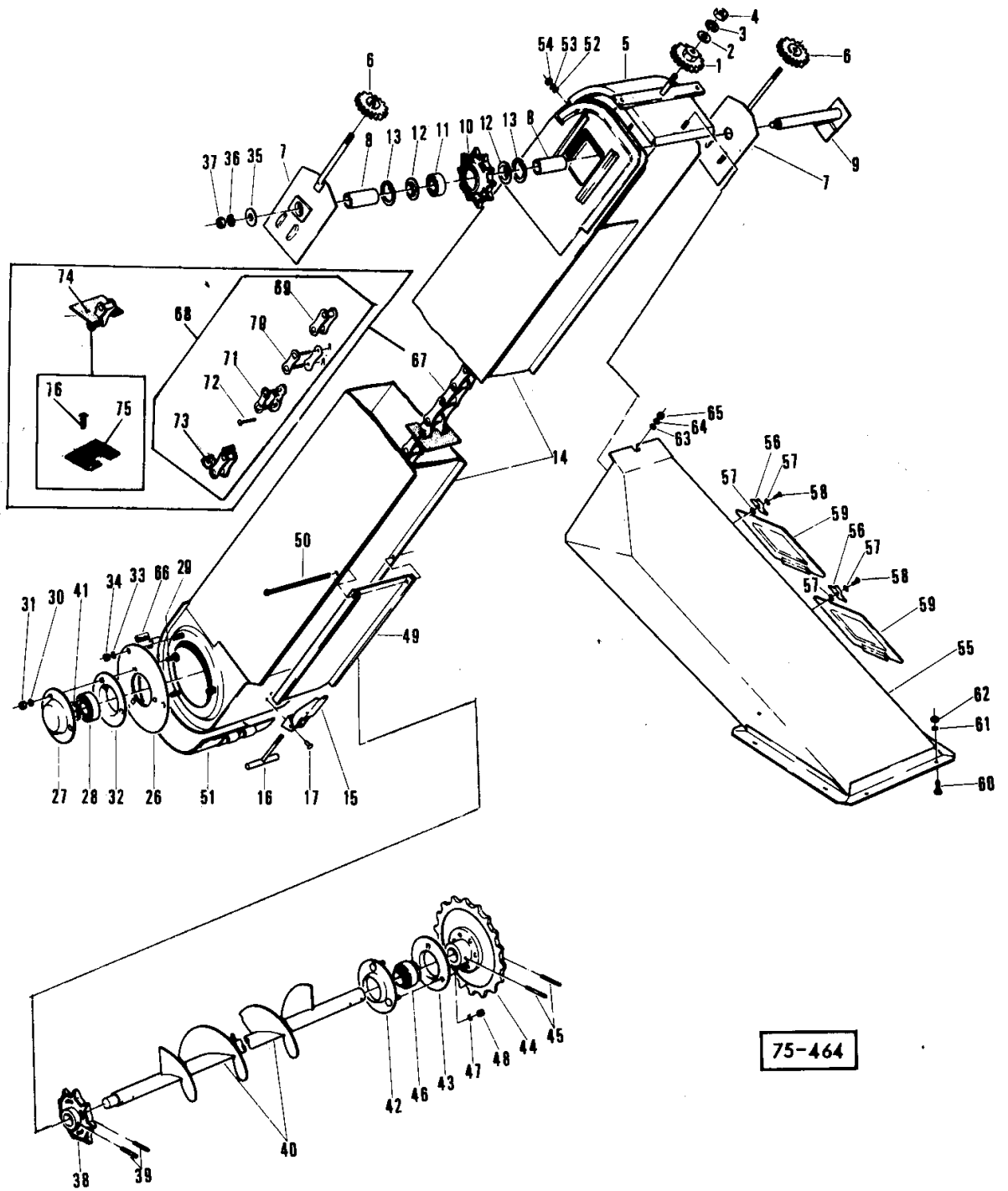
419195

**GRAIN ELEVATOR - BAGGER TANKER MACHINES**

107

Item	Part Number	Qty	Description	Comments
76	419378M91	1	Chain	
77	329176M91	X	Link	
78	329797M91	X	Connecting Link	
79	329195M91	X	Link	
80	329847M91	X	Clevis Pin	
81	329177M91	X	Link	
82	412015M91	20	Link	
83	404184M1	20	Plate	
84	390062X1	40	Rivet	

ELEVATEUR A OTONS  
 UBERKEHRELEVATOR  
 GLEANINGS ELEVATOR



Imprimé en FRANCE

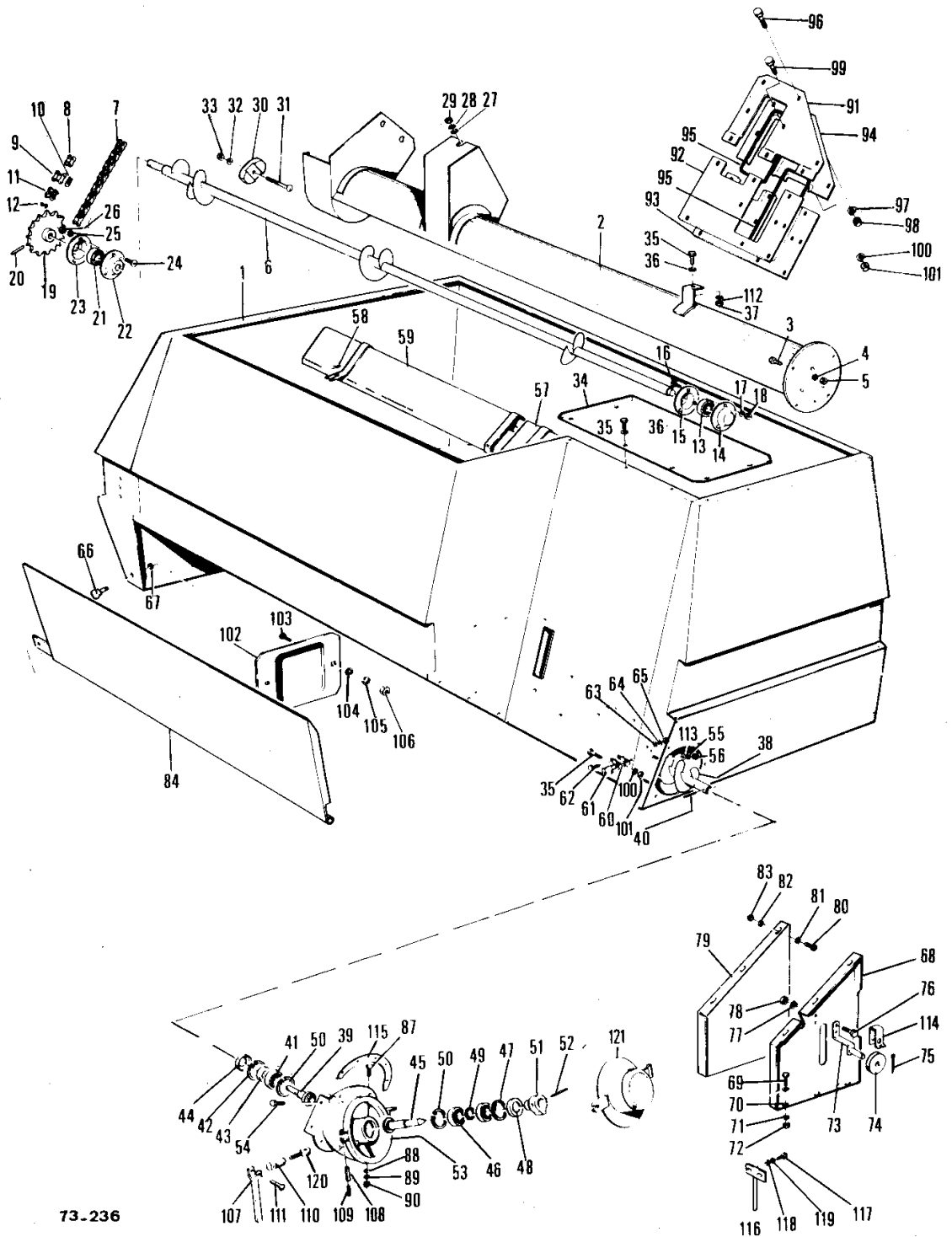
187

419 195 M5 -Emission-1- X/75

**GLEANINGS ELEVATOR**

Item	Part Number	Qty	Description	Comments
1	417885M1	1	Sprocket	Number of teeth/spines 15
2	339026X1	1	Washer Metric	
3	339369X1	1	Lock Washer	
4	339054X1	1	Nut Metric	
5	417887M91	1	Plate	
6	417886M1	2	Sprocket	Number of teeth/spines 15
7	417920M91	2	Plate	
8	417921M1	2	Tube	
9	417922M91	1	Axle	
10	414842M1	1	Sprocket	Number of teeth/spines 8
11	391054X1	1	Bearing	
12	417669M1	2	Cap	
13	391061X1	2	Circlip	
14	417924M92	1	Elevator	
	417906M91	1	Riser	
15	417461M91	1	Fastener	
16	417472M91	1	Knotter Hook	
17	339431X1	2	Rivet	
26	417913M1	1	Plate	
27	416687M1	1	Flange	
28	416690M1	1	Bearing	
29	339170X1	3	Screw	
30	339374X1	3	Lock Washer	
31	339169X1	3	Nut Metric	
32	416688M1	1	Flange	
33	339374X1	3	Lock Washer	
34	339169X1	3	Nut Metric	
35	391387X1	1	Washer Metric	
	339369X1	1	Lock Washer	
37	339054X1	1	Nut Metric	
38	414462M1	1	Sprocket	Number of teeth/spines 8
39	339052X1	2	Strip	
40	417933M91	1	Auger	
41	1440475X1	1	Circlip	
42	419143M91	1	Flange	
43	412261M1	1	Ring	
44	413411M91	1	Sprocket	Number of teeth/spines 19
45	339052X1	2	Strip	
46	412260M1	1	Bearing Assy	
47	339374X1	3	Lock Washer	
48	339169X1	3	Nut Metric	
49	404166M1	1	Door	
50	390596X1	1	Pin	
51	418220M91	1	Door	
52	339056X1	1	Washer Metric	
53	339374X1	1	Lock Washer	
54	339169X1	1	Nut Metric	
55	418760M91	1	Chute	
56	320719M2	2	Tie	
57	390971X1	4	Washer Metric	
58	339082X1	2	Rivet	
59	321756M1	2	Trap	
60	339124X1	8	Screw Metric	
61	339374X1	8	Lock Washer	
62	339169X1	6	Nut Metric	
63	339024X1	1	Washer Metric	
64	339374X1	1	Lock Washer	
65	339169X1	1	Nut Metric	
66	320617M1	2	Sleeve	
67	417931M91	1	Chain	
68	417932M91	1	Chain	
69	329176M91	32	Link	
70	329797M91	1	Connecting Link	
71	329195M91	63	Link	
72	329847M91	X	Clevis Pin	
73	329177M91	32	Link	
74	415015M91	32	Link	
75	404184M1	32	Plate	
76	390062X1	64	Rivet	

RESERVOIR A GRAINS  
KORNANK  
GRAIN TANK



73-236

GRAIN TANK

Item	Part Number	Qty	Description	Comments
1	905733M92	1	Tank	
	793115M1	1	Plug	
2	418713M91	1	Channel	
3	390379X1	8	Bolt Metric	
4	339374X1	8	Lock Washer	
5	339169X1	8	Nut Metric	
6	418731M91	8	Auger	
7	418735M91	1	Chain	
8	329202M91	32	Link	
9	329206M91	1	Link	
	329203M1	31	Link	
10	329020M1	1	Clip	
11	329210M91	1	Cranked Link	
12	329849M91	1	Clevis Pin	
13	416690M1	1	Bearing	
14	416687M1	1	Flange	
15	416688M1	1	Flange	
16	339170X1	3	Screw	
17	339374X1	3	Lock Washer	
18	339169X1	3	Nut Metric	
19	403508M91	1	Sprocket	Number of teeth/spines 21
20	339783X1	1	Pin	
21	418777M1	1	Bearing	
22	416688M1	1	Flange	
23	418736M1	1	Flange	
24	339170X1	3	Screw	
25	339374X1	3	Lock Washer	
26	339169X1	3	Nut Metric	
27	339024X1	1	Washer Metric	
28	339374X1	1	Lock Washer	
29	339169X1	1	Nut Metric	
30	401256M1	1	Tensioner	
31	390653X1	1	Bolt Metric	
32	390652X1	1	Washer Metric	
33	339169X1	2	Nut Metric	
34	418737M1	1	Plate	
35	391074X1	7	Screw Metric	
36	1440998X1	6	Washer	
37	339030X1	1	Nut Metric	
38	418738M91	1	Auger	
39	1722081M91	1	Gear	(A)
	1722078M91	1	Gear	(B)
40	339135X1	2	Pin	
41	339583X1	1	Bearing Assy	
42	1440479X1	1	Circlip	
43	390850X1	1	Washer Metric	
44	412982M1	1	Cap	
45	1722081M91	1	Gear	(A)
	1722079M1	1	Gear	(B)
46	339583X1	2	Bearing Assy	
47	1440479X1	1	Circlip	
48	402896M1	1	Ring	
49	391353X1	1	Washer Metric	
50	390386X1	2	Circlip	
51	418743M91	1	Ring	
52	339055X1	1	Pin	
53	418744M1	1	Housing	
54	339337X1	7	Screw Metric	
55	339374X1	7	Lock Washer	
56	339169X1	7	Nut Metric	
57	418745M91	1	Plate	Left Hand
58	324610M1	6	Pin	
59	418749M91	1	Plate	Right Hand
60	418755M1	1	Spring	Left Hand
61	418756M1	1	Spring	Right Hand
62	339560X1	2	Screw Metric	
63	339588X1	2	Washer	
64	339375X1	2	Lock Washer	
65	339030X1	2	Nut Metric	
66	418065M1	1	Fastener	

GRAIN TANK

Item	Part Number	Qty	Description	Comments
67	1441241X1	1	Segment	
68	418757M1	1	Support	(C) Left Hand
	418925M91	1	Bearer	(D) Left Hand
69	390379X1	6	Bolt Metric	
70	391166X1	6	Washer Metric	
71	339374X1	6	Lock Washer	
72	339169X1	5	Nut Metric	
73	418758M91	1	Bracket	(C)
	418928M91	1	Bracket	(D)
74	401642M1	1	Roller	
75	390445X1	1	Pin	
76	339123X1	1	Screw Metric	(C)
	339560X1	2	Screw Metric	(D)
77	339374X1	1	Lock Washer	(C)
	339375X1	2	Lock Washer	(C)
78	339159X1	1	Bolt Metric	(C)
	339030X1	2	Nut Metric	(D)
79	418769M1	1	Bearer	Right Hand
80	339122X1	6	Bolt	
81	391166X1	6	Washer Metric	
82	339374X1	6	Lock Washer	
83	339169X1	6	Nut Metric	
84	418770M91	1	Panel	(E)
	1723365M91	1	Panel	(F)
85	339374X1	4	Lock Washer	
86	339124X1	4	Screw Metric	
87	339170X1	4	Screw	
88	391166X1	4	Washer Metric	
89	339374X1	4	Lock Washer	
90	339169X1	4	Nut Metric	
91	418778M1	1	Plate	
92	418779M1	1	Plate	
93	418780M1	1	Plate	
94	418781M1	1	Plate	
95	418782M1	2	Seal	
96	339124X1	5	Screw Metric	
97	339374X1	5	Lock Washer	
98	339169X1	5	Nut Metric	
99	339560X1	7	Screw Metric	
100	339876X1	8	Washer	
101	339030X1	8	Nut Metric	
102	418783M1	1	Cover	(G)
	905593M92	1	Door	(H)
103	339247X1	2	Bolt	
104	339697X1	2	Washer	
105	339374X1	2	Lock Washer	
106	339169X1	2	Nut Metric	
107	324579M91	1	Handle	
108	1440999X1	1	Pin	
109	391018X1	1	Pin	
110	324581M1	1	Bush	
111	390704X1	1	Rivet	
112	339588X1	1	Washer	
113	339024X1	2	Washer Metric	
114	401643M1	1	Guide	
115	418787M1	4	Quadrant	
116	418752M91	1	Catch	
117	339123X1	2	Screw Metric	
118	339024X1	2	Washer Metric	
119	339374X1	2	Lock Washer	
120	339538X1	1	Bolt Metric	
121	1722431M91	1	Guard	

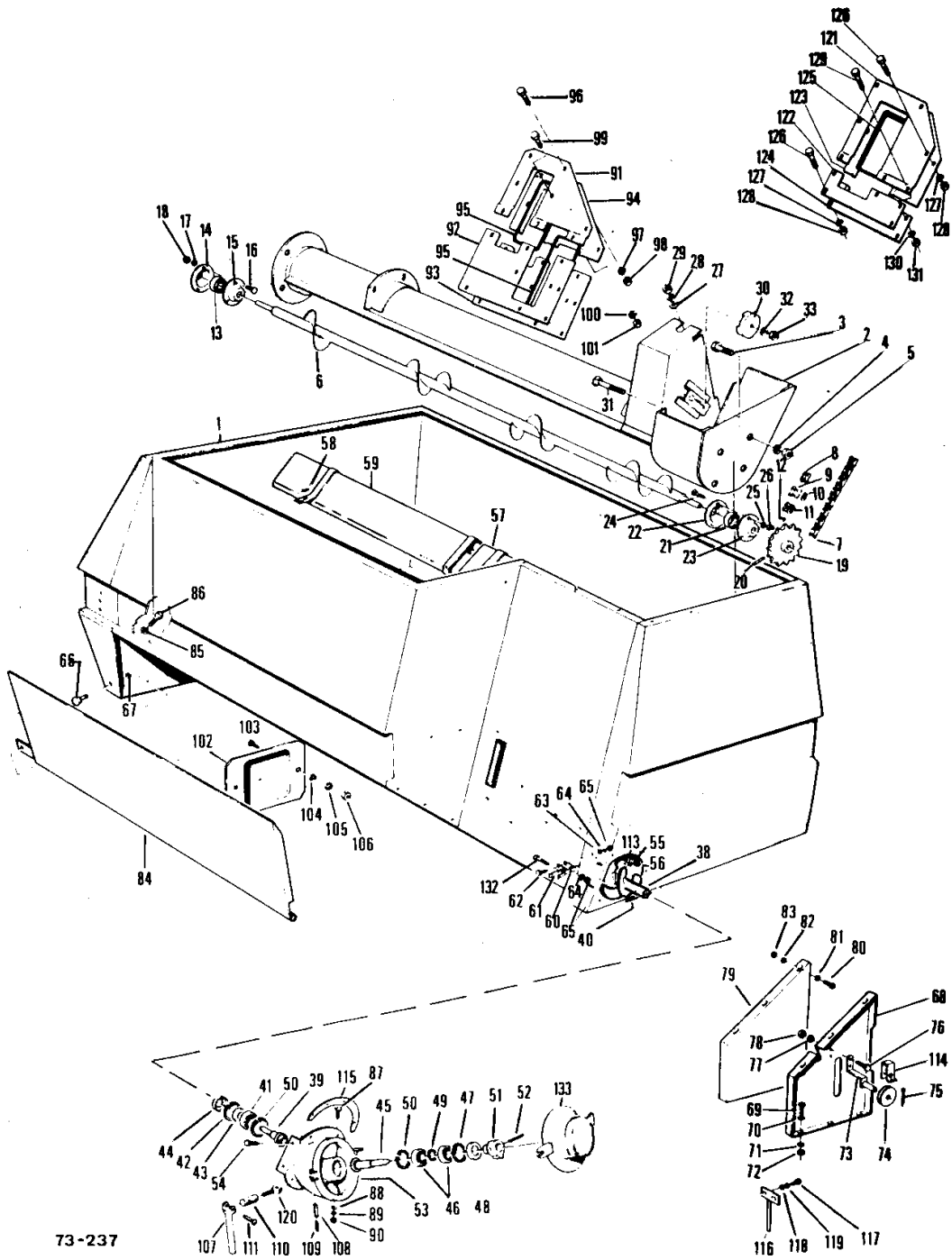
(A)  
Up to Serial or Engine Number 4436  
(B)  
From Serial or Engine Number 4437  
(C)  
Up to Serial or Engine Number 2459



**GRAIN TANK**

<b>Item</b>	<b>Part Number</b>	<b>Qty</b>	<b>Description</b>	<b>Comments</b>
				(D) From Serial or Engine Number 2460
				(E) Up to Serial or Engine Number 2906
				(F) From Serial or Engine Number 2907
				(G) Up to Serial or Engine Number C1228399
				(H) From Serial or Engine Number C1228400

RESERVOIR A GRAINS (RESERVOIR ENSACHEUR)  
 KORNTANK (TANK ABSACKMASCHINEN)  
 GRAIN TANK (BAGGER TANKER MACHINES)



Item	Part Number	Qty	Description	Comments
				BAGGER TANKER MACHINES
1	905734M92	1	Tank	
2	419258M91	1	Channel	
3	390379X1	8	Bolt Metric	
4	339374X1	8	Lock Washer	
5	339169X1	8	Nut Metric	
6	419273M91	1	Auger	
7	418735M91	1	Chain	
8	329202M91	32	Link	
	329203M91	31	Link	
9	329206M91	1	Link	
10	329020M1	1	Clip	
11	329210M91	1	Cranked Link	
12	329849M91	1	Clevis Pin	
13	412243M1	1	Bearing	
14	412245M1	1	Ring	
15	411745M1	1	Ring	
16	339170X1	3	Screw	
17	339374X1	3	Lock Washer	
18	339169X1	3	Nut Metric	
19	403508M91	1	Sprocket	Number of teeth/spines 21
20	339783X1	1	Pin	
21	418777M1	1	Bearing	
22	416688M1	1	Flange	
23	418736M1	1	Flange	
24	339170X1	3	Screw	
25	339374X1	3	Lock Washer	
26	339169X1	3	Nut Metric	
27	339024X1	1	Washer Metric	
28	339374X1	1	Lock Washer	
29	339169X1	1	Nut Metric	
30	401256M1	1	Tensioner	
31	339158X1	1	Bolt	
32	390652X1	1	Washer Metric	
33	339169X1	2	Nut Metric	
38	418738M91	1	Auger	
39	1722081M91	1	Gear	(A)
	1722078M1	1	Gear	(B)
40	339135X1	2	Pin	
41	339583X1	1	Bearing Assy	
42	1440479X1	1	Circlip	
43	390850X1	1	Washer Metric	
44	412982M1	1	Cap	
45	1722081M91	1	Gear	(A)
	1722079M1	1	Gear	(B)
46	339583X1	2	Bearing Assy	
47	1440479X1	1	Circlip	
48	402896M1	1	Ring	
49	391353X1	1	Washer Metric	
50	390386X1	2	Circlip	
51	418743M91	1	Ring	
52	339055X1	1	Pin	
53	418744M1	1	Housing	
54	339337X1	7	Screw Metric	
55	339374X1	7	Lock Washer	
56	339169X1	7	Nut Metric	
57	418745M91	1	Plate	Left Hand
58	324610M1	6	Pin	
59	418749M91	1	Plate	Right Hand
60	418755M1	1	Spring	Left Hand
61	418756M1	1	Spring	Right Hand
62	339560X1	2	Screw Metric	
63	339588X1	2	Washer	
64	339375X1	3	Lock Washer	
65	339030X1	3	Nut Metric	
66	418065M1	1	Fastener	
67	1441241X1	1	Segment	
68	418925M91	1	Bearer	Left Hand
69	390379X1	6	Bolt Metric	
70	391166X1	6	Washer Metric	

GRAIN TANK - BAGGER TANKER MACHINES

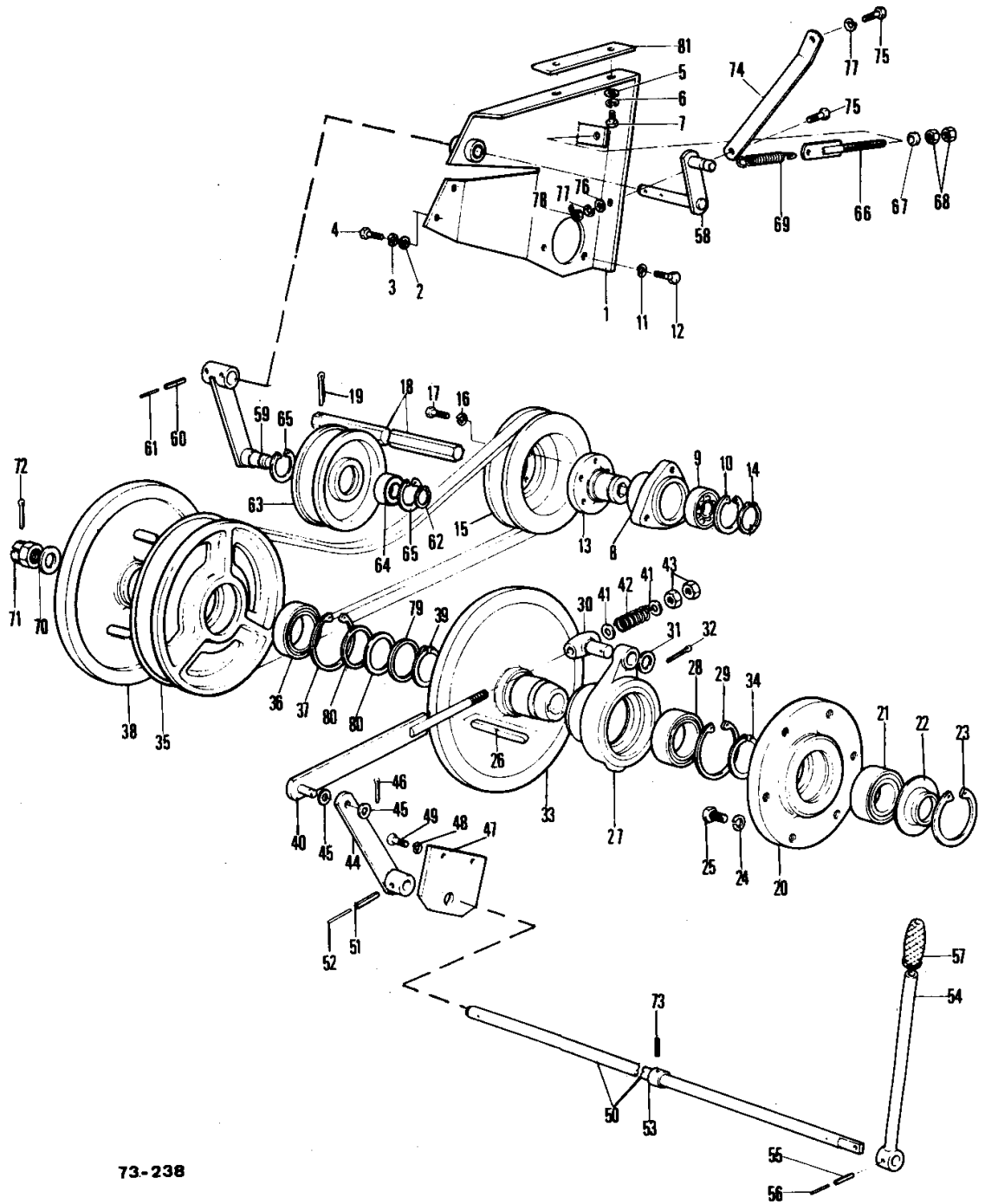
Item	Part Number	Qty	Description	Comments
71	339374X1	6	Lock Washer	
72	339169X1	6	Nut Metric	
73	418928M91	1	Bracket	
74	401642M1	1	Roller	
75	390445X1	1	Pin	
76	339560X1	2	Screw Metric	
77	339375X1	2	Lock Washer	
78	339030X1	2	Nut Metric	
79	418769M1	1	Bearer	Right Hand
80	339123X1	6	Screw Metric	
81	391166X1	6	Washer Metric	
82	339374X1	6	Lock Washer	
83	339169X1	6	Nut Metric	
84	418770M91	1	Panel	(C)
	1723365M91	1	Panel	(D)
85	339374X1	4	Lock Washer	
86	339124X1	4	Screw Metric	
87	339170X1	4	Screw	
88	391166X1	4	Washer Metric	
89	339374X1	4	Lock Washer	
90	339169X1	4	Nut Metric	
91	418778M1	1	Plate	
93	418779M1	1	Plate	
93	418780M1	1	Plate	
94	418781M1	1	Plate	
95	418782M1	2	Seal	
96	339124X1	5	Screw Metric	
97	339374X1	5	Lock Washer	
98	339169X1	5	Nut Metric	
99	339560X1	7	Screw Metric	
100	339375X1	7	Lock Washer	
101	339030X1	7	Nut Metric	
102	418783M1	1	Cover	(E)
	905593M92	1	Door	(F)
103	339247X1	2	Bolt	
104	339697X1	2	Washer	
105	339374X1	2	Lock Washer	
106	339169X1	2	Nut Metric	
107	324579M91	1	Handle	
108	1440999X1	1	Pin	
109	391018X1	1	Pin	
110	324581M1	1	Bush	
111	390704X1	1	Rivet	
113	339024X1	2	Washer Metric	
114	401643M1	1	Guide	
115	418787M1	4	Quadrant	
116	418752M91	1	Catch	
117	339123X1	2	Screw Metric	
118	339024X1	2	Washer Metric	
119	339374X1	2	Lock Washer	
120	339538X1	2	Bolt Metric	
121	419269M1	1	Plate	
122	419270M1	1	Plate	
123	419271M1	1	Plate	
124	419272M1	1	Plate	
125	418782M1	1	Seal	
126	339124X1	4	Screw Metric	
127	339374X1	4	Lock Washer	
128	339169X1	6	Nut Metric	
129	339560X1	6	Screw Metric	
130	339375X1	6	Lock Washer	
131	339030X1	1	Nut Metric	
132	391074X1	1	Screw Metric	
133	1722431M91	1	Guard	

(A)  
Up to Serial or Engine Number 4436  
(B)  
From Serial or Engine Number 4437  
(C)  
Up to Serial or Engine Number 2906

**MASSEY FERGUSON****MF 187 COMBINE - 419195****419195****GRAIN TANK - BAGGER TANKER MACHINES****120**

Item	Part Number	Qty	Description	Comments
				(D) From Serial or Engine Number 2907
				(E) Up to Serial or Engine Number C1228399
				(F) From Serial or Engine Number C1228400

COMMANDE DE DECHARGEUR  
 KORNTANKENTLFRUNGSANTRIEB  
 DRIVING SHAFT FOR TANK UNLOADING



73-238

## DRIVING SHAFT FOR TANK UNLOADING

Item	Part Number	Qty	Description
1	418198M91	1	Bracket
2	1440921X1	2	Washer Metric
3	339374X1	2	Lock Washer
4	339123X1	2	Screw Metric
5	391381X1	2	Washer Metric
6	339376X1	2	Lock Washer
7	339081X1	2	Screw Metric
8	418157M1	1	Flange
9	339780X1	1	Bearing Ball
10	1440819X1	1	Circlip
11	339376X1	3	Lock Washer
12	339401X1	3	Screw Metric
13	418158M1	1	Hub
14	391832X1	1	Circlip
15	418159M1	1	Pulley
16	339374X1	5	Lock Washer
17	390379X1	5	Bolt Metric
18	418160M1	1	Shaft
19	1440908X1	1	Pin
20	418161M1	1	Flange
21	390384X1	1	Bearing Ball
22	418162M1	1	Guard
23	1440480X1	1	Circlip
24	339376X1	3	Lock Washer
25	339081X1	3	Screw Metric
26	418163M1	1	Key Door
27	418164M91	1	Coupler
	1440910X1	1	Pin
28	1440912X1	1	Bearing Ball
29	1440913X1	1	Segment
30	418167M1	1	Bush
31	391583X1	1	Washer
32	390446X1	1	Pin
33	418168M1	1	Pulley
34	1440915X1	1	Segment
35	418169M1	1	Pulley
36	390513X1	1	Bearing Ball
37	339437X1	1	Circlip
38	418170M1	1	Pulley
39	391832X1	1	Circlip
40	418171M91	1	Bar
41	339763X1	2	Washer
	1603625M1	1	Washer
42	1706051M1	1	Spring
43	339054X1	2	Nut Metric
44	418175M91	1	Lever
45	390804X1	2	Washer Metric
46	339076X1	1	Pin
47	418178M91	1	Plate
48	339374X1	2	Lock Washer
49	339123X1	2	Screw Metric
50	418181M1	1	Shaft
51	339071X1	1	Pin
52	1440911X1	1	Pin
53	1440916X1	1	Collar
54	418182M91	1	Lever
55	339071X1	1	Pin
56	1440911X1	1	Pin
57	402910M1	1	Handle
58	418184M91	1	Lever
59	418188M91	1	Support
60	339135X1	2	Pin
61	390294X1	2	Pin
62	1440476X1	1	Circlip
63	417288M1	1	Pulley
64	339251X1	1	Bearing Ball
65	339126X1	2	Circlip
66	418193M91	1	Screw
67	418195M1	1	Washer
68	339402X1	2	Nut Metric

**MASSEY FERGUSON****MF 187 COMBINE - 419195**

419195

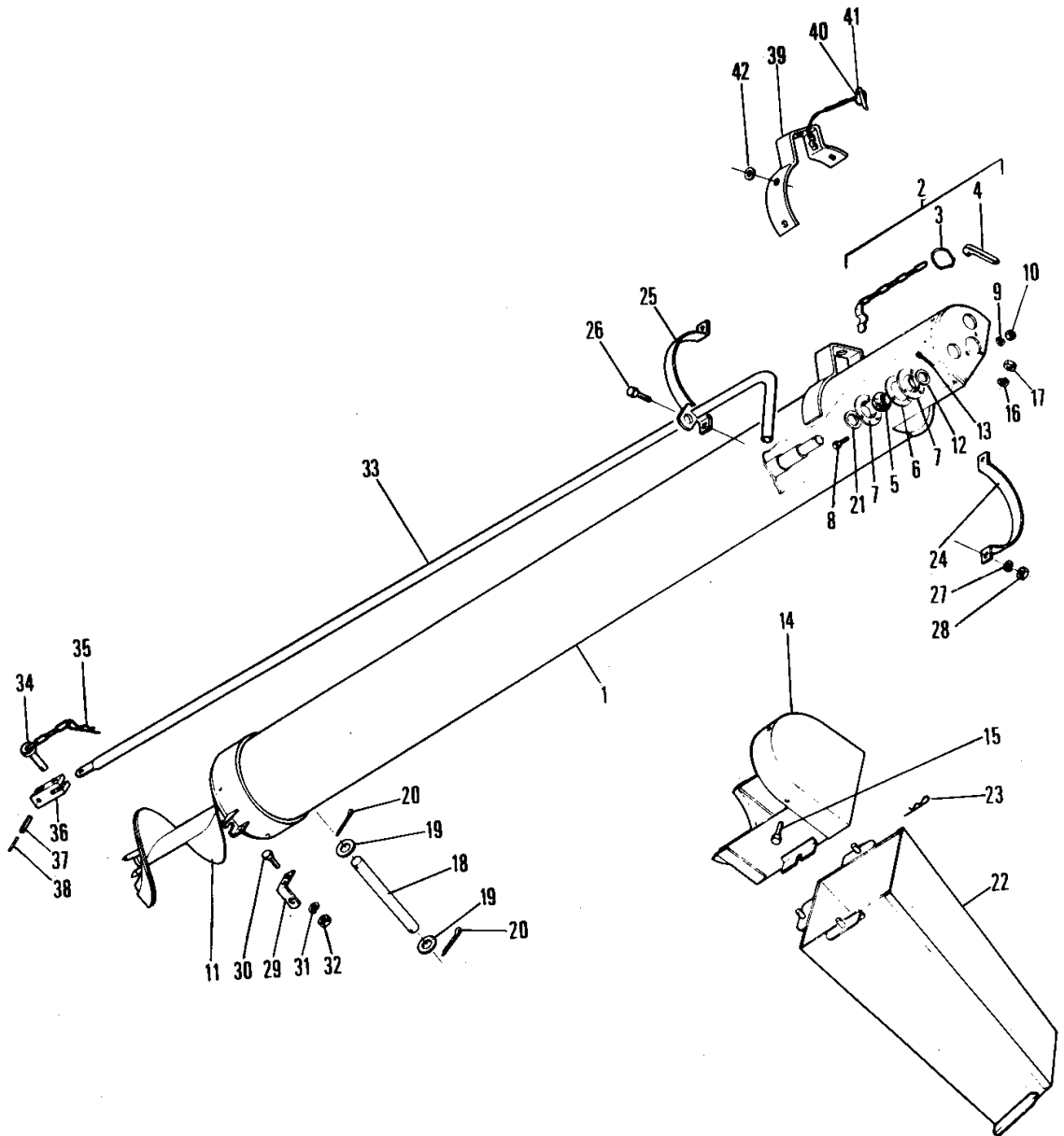
**DRIVING SHAFT FOR TANK UNLOADING**

127

<b>Item</b>	<b>Part Number</b>	<b>Qty</b>	<b>Description</b>
59	418196M1	1	Spring
70	391389X1	1	Washer Metric
71	391378X1	1	Nut Metric
72	339531X1	1	Pin
73	1440914X1	1	Screw Metric
74	418197M1	1	Bracket
75	339123X1	2	Screw Metric
76	339024X1	1	Washer Metric
77	339374X1	2	Lock Washer
78	339169X1	1	Nut Metric
79	418200M1	1	Shim
80	418201M1	2	Shim
81	621819M1	1	Shim



DECHARGEUR A GRAINS  
 AUSLAUFROHR  
 UNLOADER PIPE



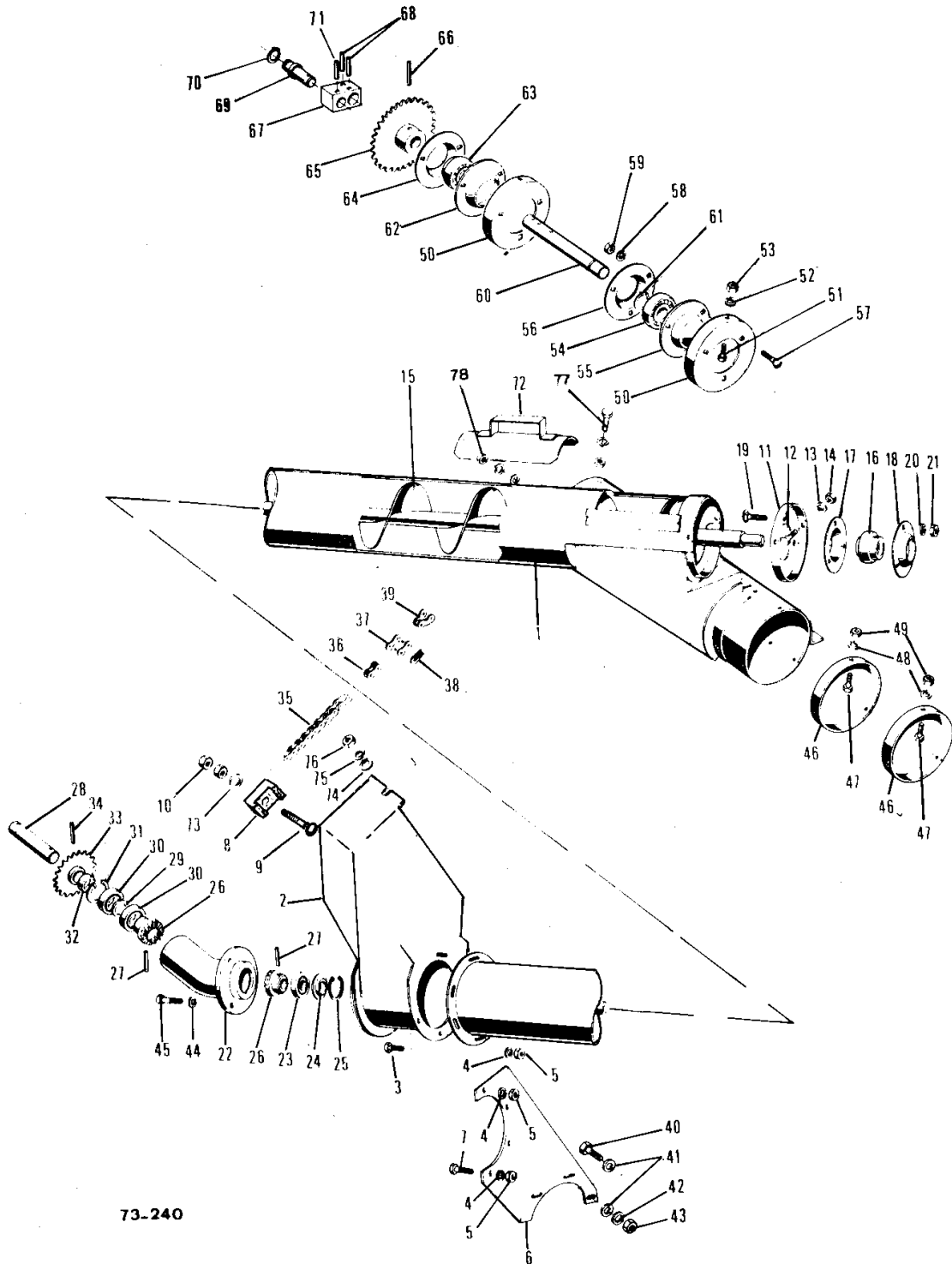
73-239

UNLOADER PIPE

Item	Part Number	Qty	Description	Comments
1	418017M92	1	Pipe	(A)
	1721653M94	1	Pipe	(B)
2	339802X1	1	Chain	
	402977M91	1	Latch	
	339212X1	4	Rivet	
3	195347M1	1	Ring	
4	195346M1	1	Pin	
5	415955M1	1	Bearing	
6	323591M1	1	Spacer	
7	323592M1	2	Flange	
8	339666X1	3	Screw Metric	
9	339375X1	3	Lock Washer	
10	339030X1	3	Nut Metric	
11	418027M91	1	Auger	(A)
	1721650M91	1	Auger	(B)
12	390667X1	1	Washer Metric	
13	391406X1	1	Pin	
14	418033M91	1	Channel	
15	339081X1	3	Screw Metric	
16	339376X1	3	Lock Washer	
17	339402X1	2	Nut Metric	
18	1440878X1	1	Pin	
19	339763X1	X	Washer	
20	339076X1	2	Pin	
21	418043M1	1	Washer	
22	418037M91	1	Guard	(A)
	1721656M91	1	Spout	(B)
23	410366M1	1	Pin	
24	405488M1	1	Clip	
25	405487M91	1	Clip	
26	339761X1	2	Screw Metric	
27	339374X1	2	Lock Washer	
28	339169X1	2	Nut Metric	
29	418013M1	1	Angle	
30	339560X1	2	Screw Metric	
31	339375X1	2	Lock Washer	
32	339030X1	2	Nut Metric	
33	418784M91	1	Stem	
34	418015M91	1	Clevis Pin	
35	410366M1	1	Pin	
36	418016M1	1	Joint	
37	339080X1	1	Roll Pin	
38	391362X1	1	Pin	

(A)  
2225 M/M  
(B)  
2525 M/M

VIS SANS FIN (RESERVOIR ENSACHEUR)  
 FORDERSCHNECKE (TANK ABSACKMASCHINEN)  
 CROSS AUGER (BAGGER TANKER MACHINES)



Item	Part Number	Qty	Description	Comments
1	419217M91	1	Tube	
2	419232M91	1	Housing	
3	391074X1	1	Screw Metric	
4	339375X1	5	Lock Washer	
5	339030X1	5	Nut Metric	
6	419240M1	1	Bracket	
7	339560X1	2	Screw Metric	
8	401256M1	1	Tensioner	
9	339158X1	1	Bolt	
10	339169X1	2	Nut Metric	
11	413175M1	1	Cover	
12	339230X1	3	Screw Metric	
13	339375X1	3	Lock Washer	
14	339030X1	3	Nut Metric	
15	419241M91	1	Auger	
16	412243M1	1	Bearing	
17	411745M1	1	Ring	
18	412245M1	1	Ring	
19	339247X1	3	Bolt	
20	339374X1	3	Lock Washer	
21	339169X1	3	Nut Metric	
22	419244M1	1	Housing	
23	339599X1	1	Bearing Ball	
24	419245M1	1	Ring	
25	339199X1	1	Ring	
26	419246M2	2	Pinion	Number of teeth/spines 10
27	339733X1	1	Bolt Metric	
28	419247M1	1	Shaft	
29	1441336X1	1	Washer	
30	391107X1	2	Bearing Assy	
31	339199X1	1	Ring	
32	419248M1	1	Bush	
33	403508M91	1	Sprocket	Number of teeth/spines 21
34	339135X1	1	Pin	
35	419249M91	1	Chain	
36	329202M91	41	Link	
	329203M91	40	Link	
37	329206M91	1	Link	
38	329020M1	1	Clip	
39	329210M91	1	Cranked Link	
40	339124X1	3	Screw Metric	
41	339817X1	6	Washer Metric	
42	339374X1	3	Lock Washer	
43	339169X1	3	Nut Metric	
44	339374X1	3	Lock Washer	
45	339123X1	3	Screw Metric	
46	419250M1	2	Cover	
47	339230X1	6	Screw Metric	
48	339375X1	6	Lock Washer	
49	339030X1	6	Nut Metric	
50	413175M1	2	Cover	
51	339230X1	5	Screw Metric	
52	339375X1	5	Lock Washer	
53	339030X1	5	Nut Metric	
54	416690M1	1	Bearing	
55	416687M1	1	Flange	
56	411745M1	3	Ring	
57	339247X1	6	Bolt	
58	339374X1	6	Lock Washer	
59	339169X1	6	Nut Metric	
60	419358M1	1	Shaft	
61	1440475X1	1	Circlip	
62	411745M1	1	Ring	
63	412243M1	1	Bearing	
64	412245M1	1	Ring	
65	419359M91	1	Sprocket	Number of teeth/spines 41
66	339052X1	1	Strip	
67	419395M1	1	Lever	
68	339071X1	2	Pin	
69	419396M1	1	Pin	

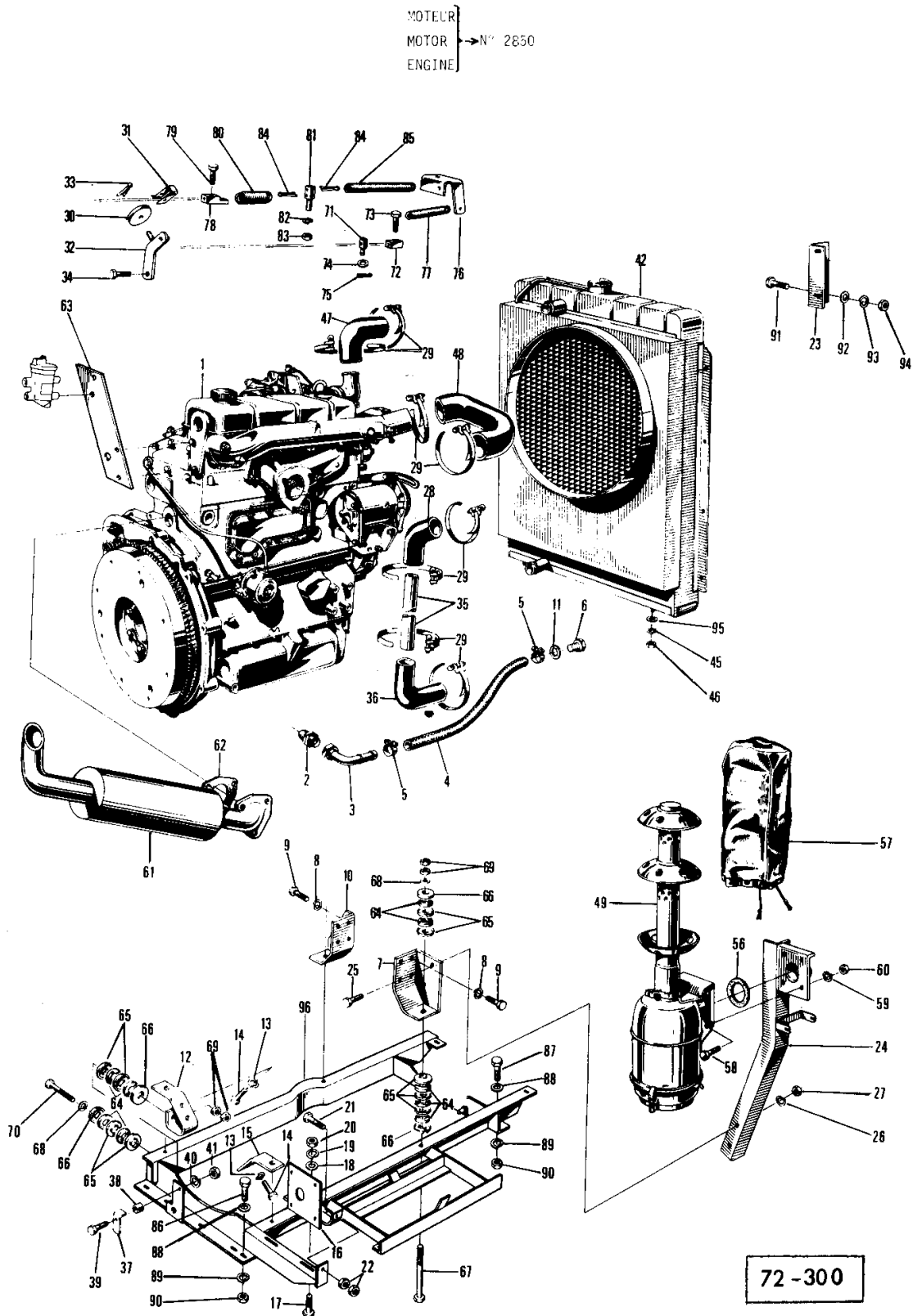
**MASSEY FERGUSON****MF 187 COMBINE - 419195**

419195

**CROSS AUGER (BAGGER TANKER MACHINES)**

132

Item	Part Number	Qty	Description	Comments
70	391062X1	1	Segment	
71	339071X1	1	Pin	
72	419251M91	1	Cover	
73	390652X1	1	Washer Metric	
74	391166X1	1	Washer Metric	
75	339374X1	1	Lock Washer	
76	339169X1	1	Nut Metric	
77	339560X1	1	Screw Metric	
	339375X1	1	Lock Washer	
	339030X1	1	Nut Metric	
78	339375X1	1	Lock Washer	
	339692X1	1	Washer	
	339030X1	1	Nut Metric	



ENGINE

Item	Part Number	Qty	Description	Comments
				Up to Serial or Engine Number 2850
1	418261M1	1	Engine	A.4 236
2	414108M2	1	Plug	
3	414531M1	1	Elbow	
4	414110M2	1	Hose	
5	391087X1	2	Clip	
6	390820X1	1	Plug	
7	414140M91	1	Bracket	
8	353432X1	8	Lock Washer	
9	353560X1	8	Screw Unf	
10	414143M91	1	Bracket	
11	390839X1	1	Washer	
12	413644M1	1	Bearer	
13	339369X1	4	Lock Washer	
14	390912X1	4	Screw Metric	
15	413643M1	1	Angle	
16	418237M91	1	Bracket	
17	390982X1	2	Bolt	
18	1440991X1	2	Washer	
19	339369X1	2	Lock Washer	
20	339054X1	2	Nut Metric	
21	1440925X1	1	Bolt Metric	
22	339169X1	2	Nut Metric	
23	418240M1	1	Anglepiece	
24	414149M91	1	Bracket	
25	339139X1	2	Screw Metric	
26	339169X1	2	Nut Metric	
27	339054X1	2	Nut Metric	
28	414135M1	1	Elbow	
29	410403M1	8	Band	
	364127X1	8	Clamp	
30	401642M1	1	Roller	
31	401643M1	1	Guide	
32	412194M91	1	Bracket	
33	390445X1	1	Pin	
34	354261X1	1	Bolt Unc	
35	414133M1	1	Tube	
36	414136M1	1	Elbow	
37	413637M1	1	Bracket	
38	1706442M1	1	Spacer	
39	339337X1	1	Screw Metric	
40	339374X1	1	Lock Washer	
41	339169X1	1	Nut Metric	
42		1	Radiator	(A)
45	339376X1	2	Lock Washer	
46	339402X1	2	Nut Metric	
47	414134M1	1	Elbow	
48	414139M1	1	Elbow	
49	419071M1	1	Filter	(B)
56	390045X1	1	Gasket	
57	404595M1	1	Bag	
58	339081X1	4	Screw Metric	
59	339376X1	4	Lock Washer	
60	339402X1	4	Nut Metric	
61	418242M91	1	Silencer	
62	414379M1	1	Gasket	
63	418249M1	1	Bearer	
64	413627M1	24	Bumper	
65	413628M1	24	Washer	
66	413629M1	10	Washer	
67	390913X1	4	Bolt	
68	390650X1	5	Washer Metric	
69	339054X1	10	Nut Metric	
70	390690X1	1	Bolt Metric	
71	412325M1	1	Pin	
72	413007M1	1	Pliers	
73	339160X1	1	Screw	
74	390469X1	1	Washer Metric	
75	339851X1	1	Pin	
76	414101M1	1	Bracket	

ENGINE

Item	Part Number	Qty	Description	Comments
77	731588M1	1	Spring	
78	403573M1	1	Clip	
79	339160X1	1	Screw	
80	1706116M1	1	Spring	
81	403571M1	1	Trunnion	
82	339375X1	1	Lock Washer	
83	339030X1	1	Nut Metric	
84	339076X1	2	Pin	
85	1706117M1	1	Spring	
86	339401X1	4	Screw Metric	
87	339451X1	4	Screw Metric	
88	391388X1	8	Washer Metric	
89	339376X1	8	Lock Washer	
90	339402X1	8	Nut Metric	
91	390379X1	2	Bolt Metric	
92	339024X1	2	Washer Metric	
93	339374X1	2	Lock Washer	
94	339169X1	2	Nut Metric	
95	339534X1	2	Washer Metric	
96	418222M91	1	Frame	

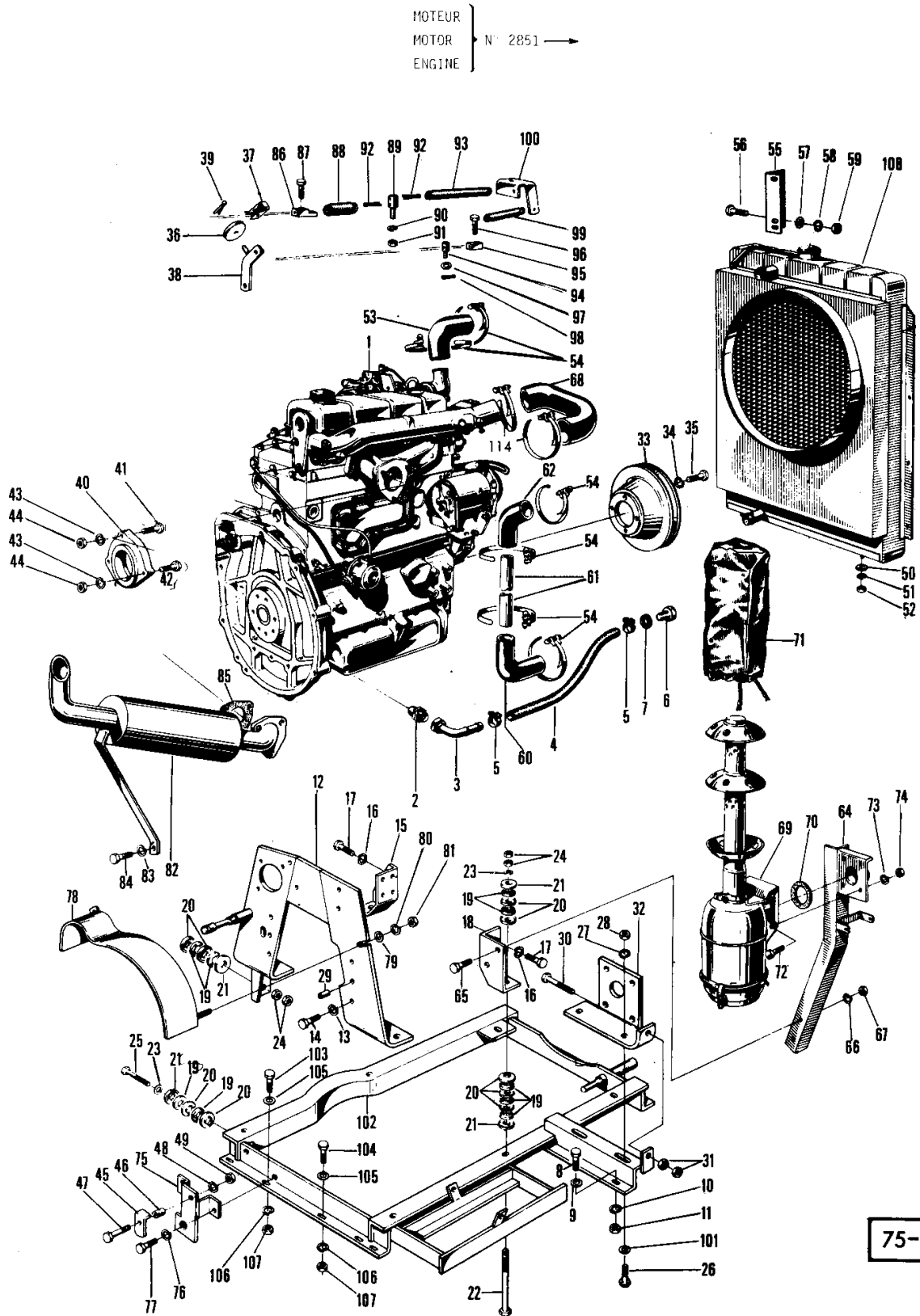
(A)

SEE PAGE 150

(B)

SEE PAGE 155





ENGINE

Item	Part Number	Qty	Description	Comments
				From Serial or Engine Number 2851
1	418876M1	1	Engine	(A) A4.236
	1723949M1	1	Engine	(B) A4.236
	1603036M1	1	Engine	(C) A4.236
	1603472M1	1	Engine	(D) A4.236
2	414108M2	1	Plug	
3	414531M1	1	Elbow	
4	418886M1	1	Hose	
5	391087X1	2	Clip	
6	390820X1	1	Plug	
7	826001M1	1	Washer	
8	390379X1	2	Bolt Metric	
9	391166X1	2	Washer Metric	
10	339374X1	2	Lock Washer	
11	339169X1	2	Nut Metric	
12	418887M91	1	Support	(E)
	1603038M91	1	Support	(F)
13	353434X1	7	Lock Washer	
14	353538X1	7	Screw Unf	
15	414143M91	1	Bracket	Right Hand
16	353432X1	8	Lock Washer	
17	353560X1	8	Screw Unf	
18	418893M91	1	Bearer	
19	413627M1	24	Bumper	
20	413628M1	24	Washer	
21	413629M1	10	Washer	
22	390913X1	4	Bolt	
23	390650X1	5	Washer Metric	
24	339054X1	10	Nut Metric	
25	390690X1	1	Bolt Metric	
26	390982X1	2	Bolt	
27	339369X1	2	Lock Washer	
28	339054X1	2	Nut Metric	
29	414102M1	2	Dowel	
30	1440925X1	1	Bolt Metric	
31	339109X1	1	Nut	
32	418894M91	1	Bearer	
33	418897M1	1	Pulley	
34	353434X1	4	Lock Washer	
35	354261X1	4	Bolt Unc	
36	401642M1	1	Roller	
37	401643M1	1	Guide	
38	412194M91	1	Bracket	
39	390445X1	1	Pin	
40	418901M1	1	Ring	(E)
41	339291X1	1	Bolt Metric	(E)
	339009X1	1	Bolt Metric	(F)
42	339168X1	2	Bolt Metric	(E)
	339011X1	2	Bolt Metric	(F)
43	339374X1	3	Lock Washer	
44	339169X1	3	Nut Metric	
45	413637M1	1	Bracket	
46	403376M2	1	Spacer	
47	339337X1	1	Screw Metric	
48	339374X1	1	Lock Washer	
49	339169X1	1	Nut Metric	
50	339534X1	2	Washer Metric	
51	339376X1	2	Lock Washer	
52	339402X1	2	Nut Metric	
53	414134M1	1	Elbow	
54	338617X1	6	Hose Clip	
55	418240M1	1	Anglepiece	
56	390379X1	2	Bolt Metric	
	339228X1	2	Screw Metric	
58	339374X1	4	Lock Washer	
59	339169X1	4	Nut Metric	

ENGINE

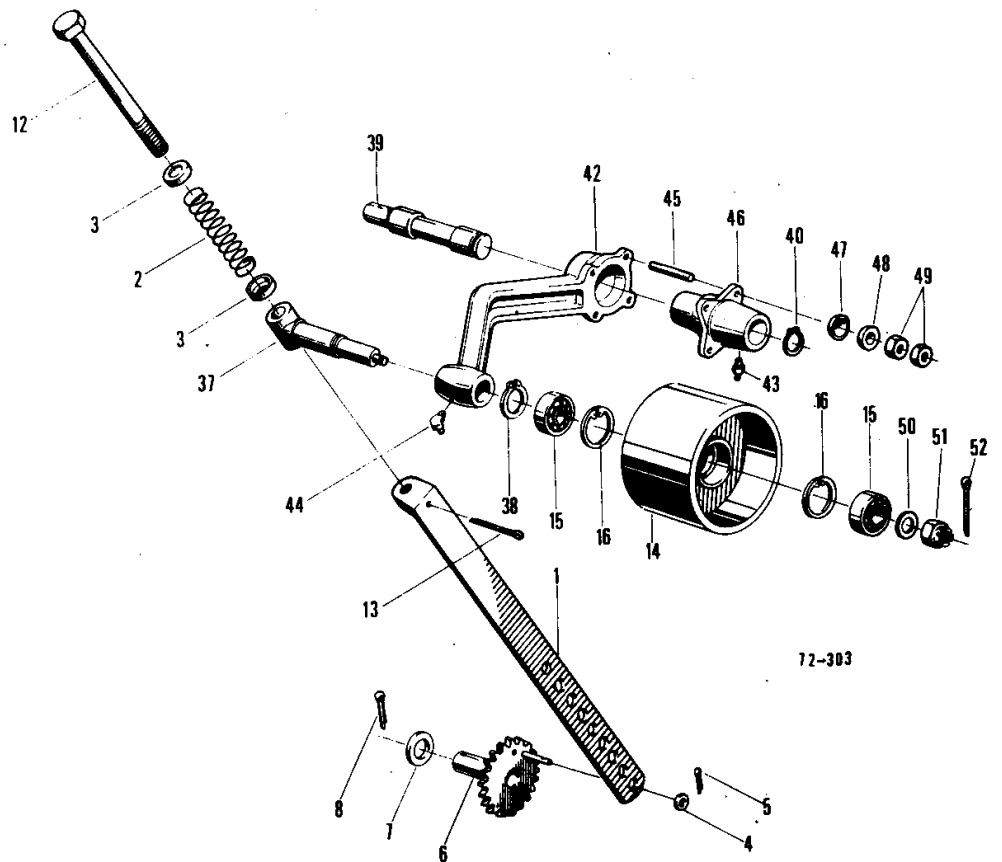
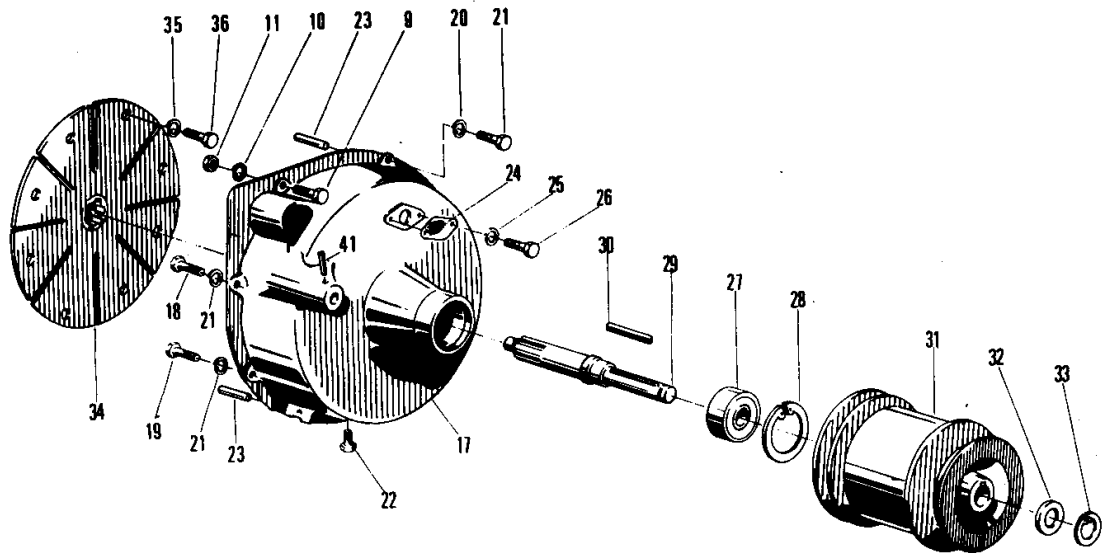
Item	Part Number	Qty	Description	Comments
60	414136M1	1	Elbow	
61	414133M1	1	Tube	
62	414135M1	1	Elbow	
64	418905M91	1	Bracket	
65	339139X1	2	Screw Metric	
66	339369X1	2	Lock Washer	
67	339054X1	2	Nut Metric	
68	414139M1	1	Elbow	
69	419071M1	1	Filter	(I)
70	390045X1	1	Gasket	
71	404595M1	1	Bag	
72	339081X1	4	Screw Metric	
73	339376X1	4	Lock Washer	
74	339402X1	4	Nut Metric	
75	418907M91	1	Bracket	
76	339374X1	2	Lock Washer	
77	339123X1	2	Screw Metric	
78	609710M91	1	Plate	
79	339024X1	1	Washer Metric	
80	339374X1	1	Lock Washer	
81	339169X1	1	Nut Metric	
82	418912M91	1	Silencer	(G)
	419215M91	1	Silencer	(H)
83	353434X1	1	Lock Washer	
84	353540X1	1	Screw Unf	
85	414379M1	1	Gasket	
86	403573M1	1	Clip	
87	339160X1	1	Screw	
88	403568M1	1	Spring	
89	403571M1	1	Trunnion	
90	339375X1	1	Lock Washer	
91	339030X1	1	Nut Metric	
92	339076X1	2	Pin	
93	403569M1	1	Spring	
94	412325M1	1	Pin	
95	418007M1	1	Clip	
96	339160X1	1	Screw	
97	390469X1	1	Washer Metric	
98	339851X1	1	Pin	
99	731588M1	1	Spring	
100	414101M1	1	Bracket	
101	390362X1	2	Washer Metric	
102	418879M91	1	Frame	(G)
	419213M91	1	Frame	(H)
103	339401X1	4	Screw Metric	
104	339451X1	4	Screw Metric	
105	339534X1	8	Washer Metric	
106	339376X1	8	Lock Washer	
107	339402X1	8	Nut Metric	
108		1	Radiator	(J)
114	338618X1	2	Hose Clip	

(A)  
Up to Serial or Engine Number 4526  
(B)  
4525-C1286502  
(C)  
C1286503-M1214999  
(D)  
From Serial or Engine Number M1215001  
(E)  
Up to Serial or Engine Number C1216502  
(F)  
From Serial or Engine Number C1216503  
(G)  
TANKER MACHINES  
(H)  
BAGGER TANKER MACHINES  
(I)  
SEE PAGE 155  
(J)

ENGINE

Item	Part Number	Qty	Description	Comments
				SEE PAGE 151

SORTIE DE MOTEUR }  
 MOTORABTRIEB } → N° 2850  
 PULLEY ENGINE OUTPUT }



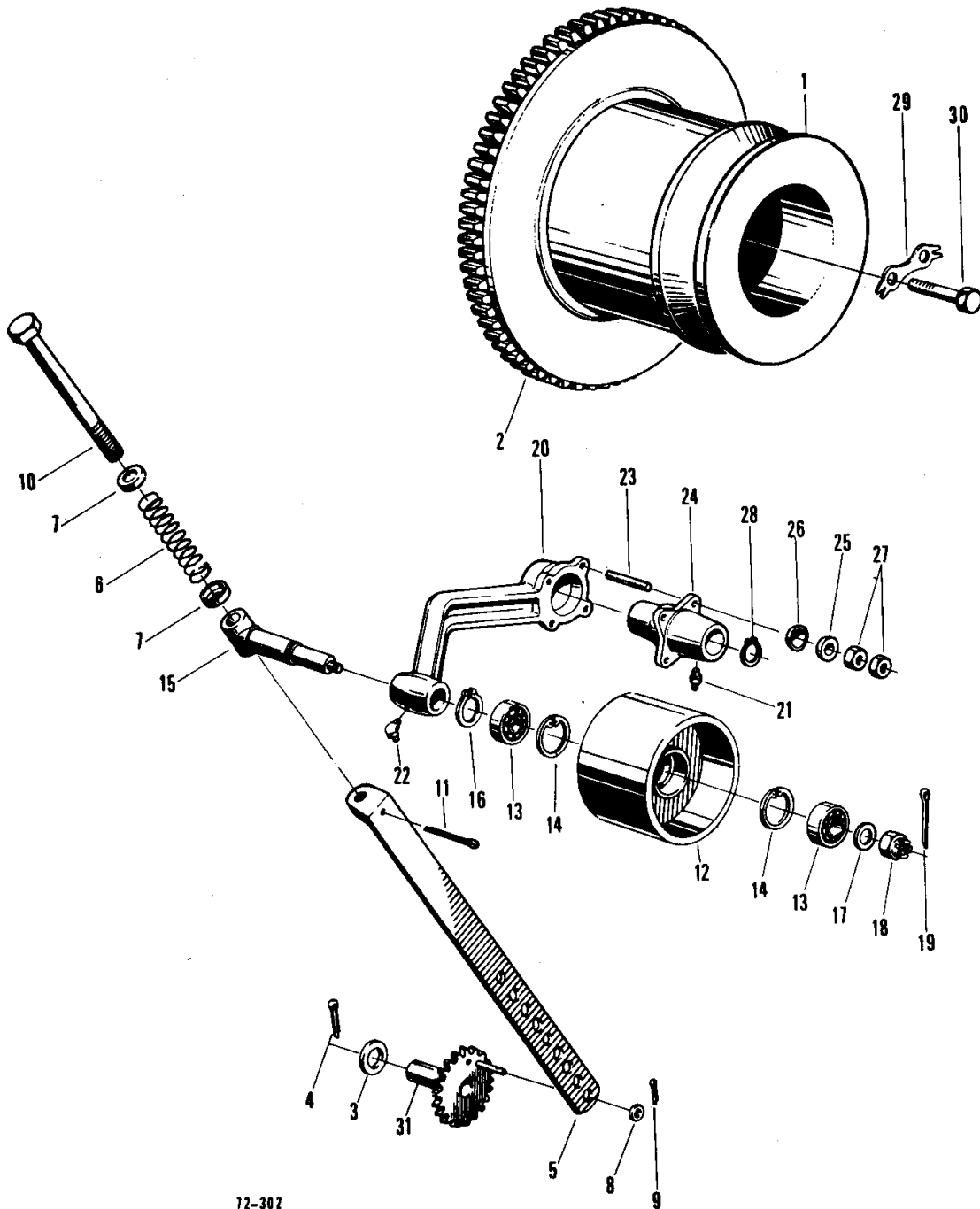
72-303

**PULLEY ENGINE OUTPUT**

Item	Part Number	Qty	Description	Comments
				Up to Serial or Engine Number 2850
1	418233M91	1	Rod	
2	1706009M1	1	Spring	
3	416564M1	2	Plate	
4	339025X1	1	Washer Metric	
5	390446X1	1	Pin	
6	418235M91	1	Pinion	
7	339794X1	1	Washer Metric	
8	390447X1	1	Pin	
9	339451X1	1	Screw Metric	
10	339376X1	1	Lock Washer	
11	339402X1	1	Nut Metric	
12	416565M1	1	Bolt	
13	391403X1	1	Pin	
14	418241M1	1	Pulley	
15	391107X1	2	Bearing Assy	
16	339199X1	2	Ring	
17	414113M2	1	Housing	
18	339451X1	1	Screw Metric	
19	339204X1	3	Screw	
20	339475X1	3	Bolt Metric	
21	339376X1	6	Lock Washer	
22	339514X1	1	Screw Metric	
23	414102M1	2	Dowel	
24	413700M1	1	Cover	
25	339375X1	2	Lock Washer	
26	339230X1	2	Screw Metric	
27	391069X1	1	Bearing Ball	
28	390613X1	1	Circlip	
29	414111M1	1	Shaft	
30	339461X1	1	Key Door	
31	418898M1	1	Pulley	
32	1441328X1	1	Washer Metric	
33	339469X1	1	Segment	
34	403022M92	1	Disc	
35	339376X1	8	Lock Washer	
36	339081X1	8	Screw Metric	
37	418255M1	1	Trunnion	
38	1440476X1	1	Circlip	
39	405421M1	1	Axle	
40	1440476X1	1	Circlip	
41	339193X1	1	Pin	
42	418256M1	1	Lever	
43	339003X1	1	Greaser	
44	339004X1	1	Greaser	
45	391240X1	4	Stud	
46	418257M1	1	Bush	
47	1440926X1	4	Conical Seat	
48	1440927X1	4	Washer	
49	339402X1	8	Nut Metric	
50	1440287X1	1	Washer Metric	
51	390759X1	1	Nut Metric	
52	339580X1	1	Pin	

148

SORTIE DU MOTEUR }  
 MOTORRABTRIEB } N° 2851 →  
 PULLEY ENGINE OUTPUT }



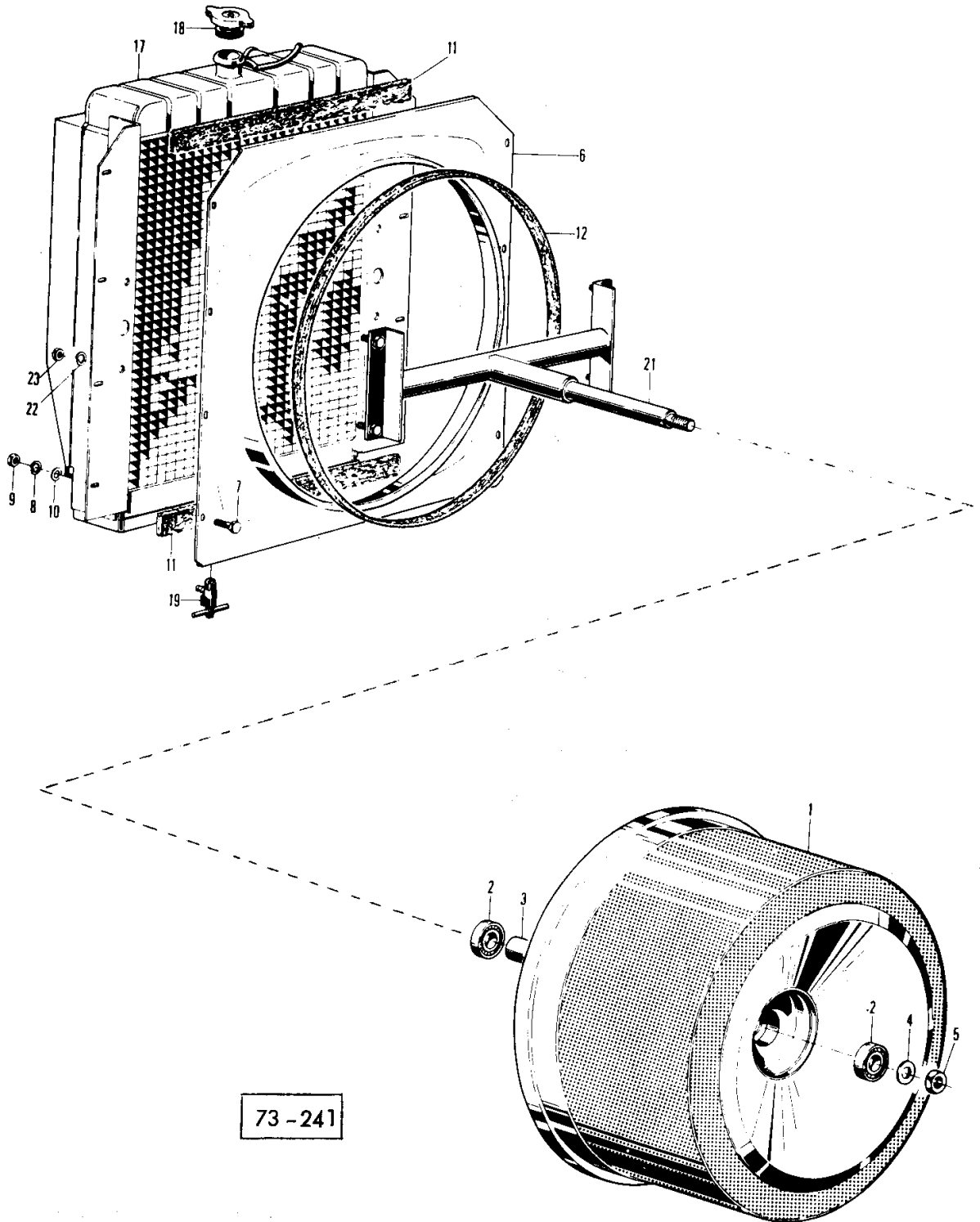
12-302

PULLEY ENGINE OUTPUT

Item	Part Number	Qty	Description	Comments
				From Serial or Engine Number 2851
1	418877M91	1	Pulley	
2	0410264	1	Gear	(A)
3	339794X1	1	Washer Metric	
4	390447X1	1	Pin	
5	418902M92	1	Rod	
6	416562M1	1	Spring	
7	416564M1	2	Plate	
8	339025X1	1	Washer Metric	
9	390446X1	1	Pin	
10	416565M1	1	Bolt	
11	391403X1	1	Pin	
12	418241M1	1	Pulley	
13	391107X1	2	Bearing Assy	
14	339199X1	2	Ring	
15	418255M1	1	Trunnion	
16	1440476X1	1	Circlip	
17	1440287X1	1	Washer Metric	
18	390759X1	1	Nut Metric	
19	339580X1	1	Pin	
20	418256M1	1	Lever	
21	339003X1	1	Greaser	
22	339004X1	1	Greaser	
23	391240X1	4	Stud	
24	418257M1	1	Bush	
25	1440927X1	4	Washer	
26	1440926X1	4	Conical Seat	
27	339402X1	8	Nut Metric	
28	1440476X1	1	Circlip	
29	0921062	3	Tab Washer	(A)
30	0096835	6	Bolt	(A)
31	413623M91	1	Pinion	(A)
				PERKINS



PRISE D'AIR TOURNANTE RADIATEUR  
 ROTIERENDER AUSGUKORB UND KUEHLER  
 ROTATING AIR INTAKE AND RADIATOR



Imprimé en FRANCE

187

419 195 M5-Emission-1- X/75

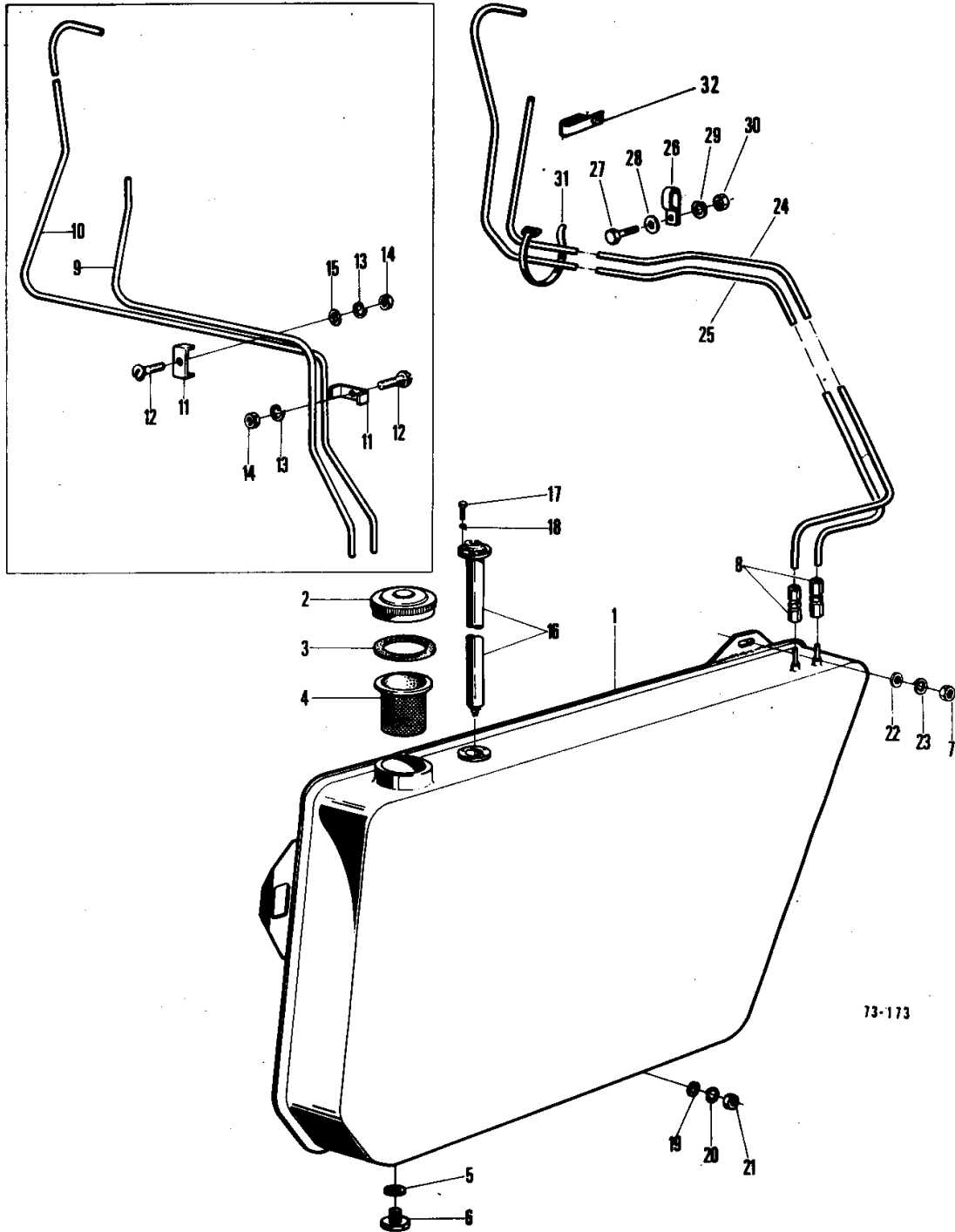
ROTATING AIR INTAKE AND RADIATOR

Item	Part Number	Qty	Description	Comments
1	414985M91	1	Filter	
2	391057X1	2	Bearing Ball	
3	414999M1	1	Tube	
4	414996M1	1	Washer	
5	391237X1	1	Nut Metric	
6	414997M1	1	Shroud	
7	339123X1	8	Screw Metric	
8	339374X1	8	Lock Washer	
9	339169X1	8	Nut Metric	
10	339024X1	16	Washer Metric	
11	416328M1	2	Joint	
12	414998M1	1	Joint	
17	414979M2	1	Radiator	(A)
	418961M1	1	Radiator	(B)
18	411552M1	1	Cap	
19	391474X1	1	Cock	
21	416114M92	1	Axle	
22	339376X1	4	Lock Washer	
23	339402X1	4	Nut Metric	

(A)  
STANDARD  
(B)  
TROPICS

152

RESERVOIR A CARBURANT ET TUYAUTERIES  
 KRAFTSTOFFBEHALTER UND LEITUNGEN  
 FUEL TANK AND FUEL LINES



Imprimé en FRANCE

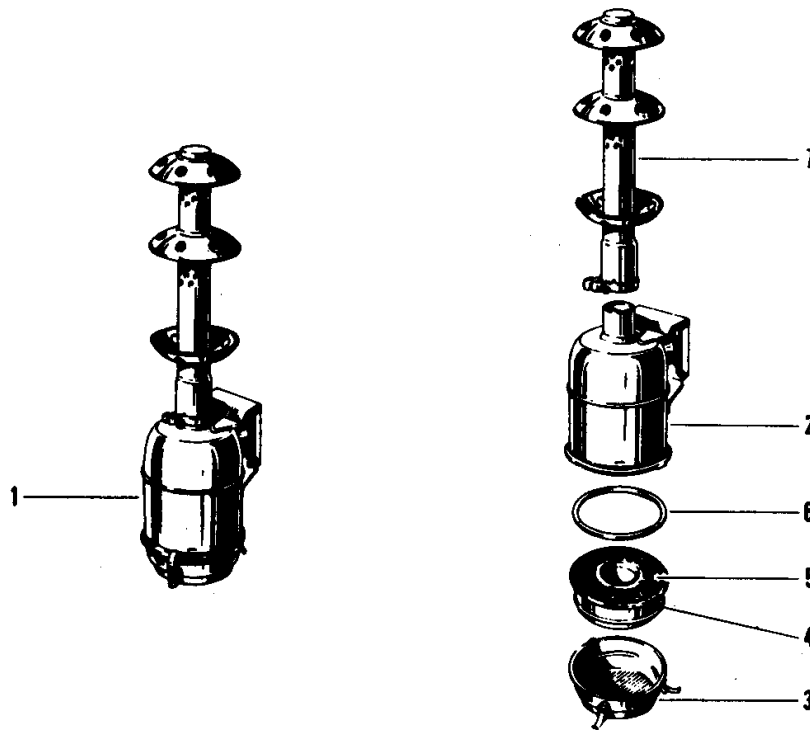
187

419 195 M5-Emission-1- X/75

FUEL TANK AND FUEL LINES

Item	Part Number	Qty	Description	Comments
1	418789M1	1	Tank	
2	322507M2	1	Cap	
3	1700180M1	1	Gasket	
4	411674M1	1	Fuel Filter	
5	390839X1	1	Washer	
6	339687X1	1	Plug	
7	339402X1	1	Nut Metric	
8	413911M1	2	Connection	
	1722651M1	2	Olive	
9	418790M1	1	Pipe	(A)
10	418791M1	1	Pipe	(A)
11	1441001X1	2	Strap	(A)
12	339113X1	2	Screw Metric	(A)
13	339382X1	2	Lock Washer	(A)
14	339111X1	2	Nut	(A)
15	339489X1	1	Washer Metric	(A)
16	418792M1	1	Gauge	(D)
	916159M1	1	Gauge	(E)
	189605M1	1	Joint	(E)
17	339721X1	5	Screw Metric	
18	339381X1	5	Lock Washer	
19	391166X1	2	Washer Metric	
20	339374X1	2	Lock Washer	
21	339169X1	2	Nut Metric	
22	339534X1	1	Washer Metric	
23	339376X1	1	Lock Washer	
24	418800M1	1	Pipe	(B)
	1603350M91	1	Pipe	(C)
25	418801M1	1	Pipe	(B)
	1603339M91	1	Tube	(C)
26	619091M1	1	Strap	(B)
	405203M1	1	Clip	(C)
27	339123X1	1	Screw Metric	(B)
28	339024X1	1	Washer Metric	(B)
29	339374X1	1	Lock Washer	(B)
30	339169X1	1	Nut Metric	(B)
31	403211M1	1	Clamp	(B)
32	623605M1	1	Clip	(A)
				Up to Serial or Engine Number 2459
				(B)
				2460-C1216903
				(C)
				From Serial or Engine Number C1216904
				(D)
				Up to Serial or Engine Number C1226506
				(E)
				From Serial or Engine Number C1226507

FILTRE A AIR  
OLBADLUFTFILTER  
AIR FILTER

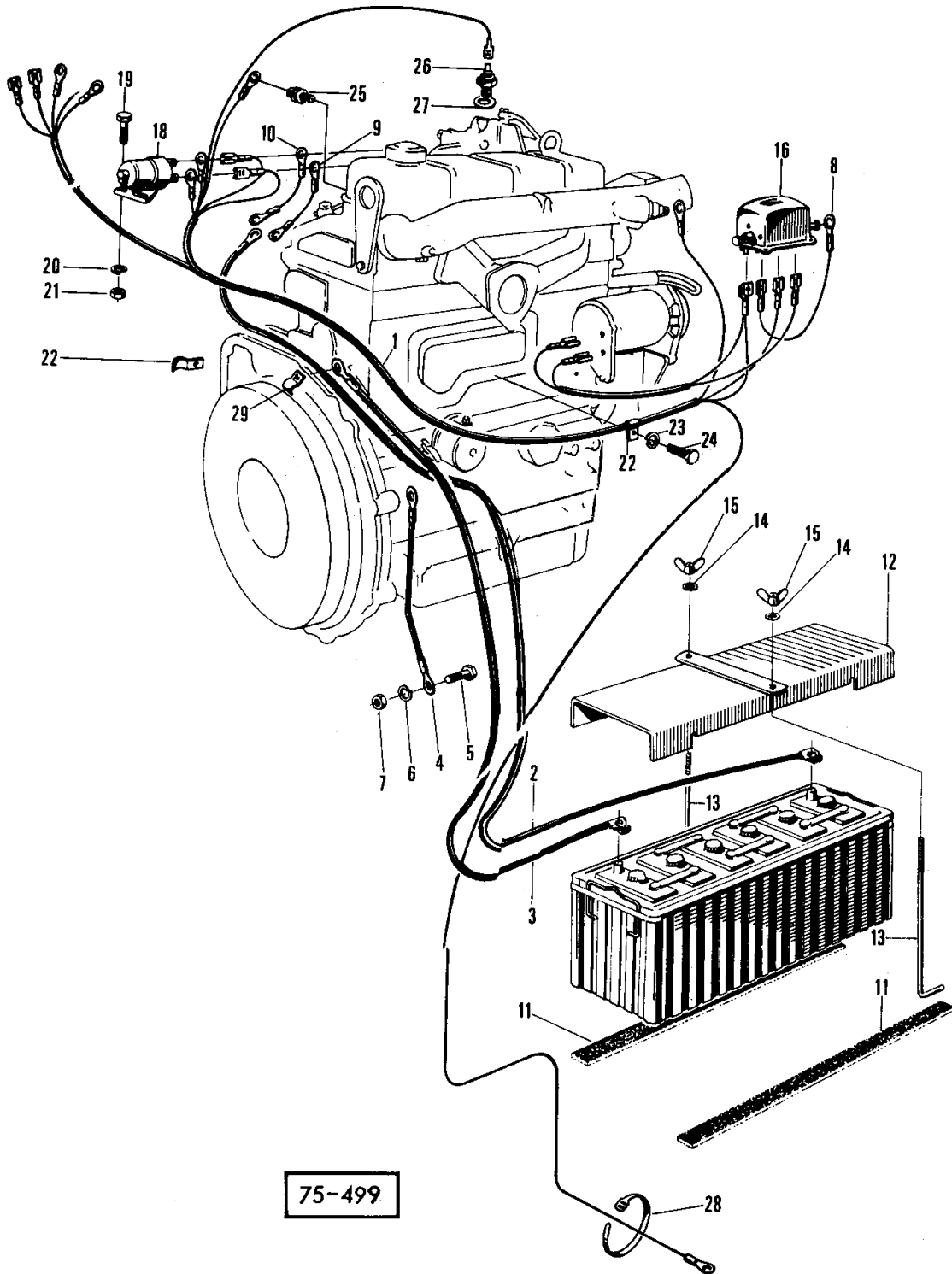


72-306

AIR FILTER

Item	Part Number	Qty	Description	Comments
1	419071M1	1	Filter	(A, B)
2		1		Not serviced, order 1 (A, B)
3	1700468M1	1	Container	(A)
	1701059M1	1	Container	(B)
4	1700469M1	1	Element	(A)
	1701060M1	1	Element	(B)
5		1		Not serviced, order 4 (A, B)
6	1700471M1	1	Joint	(A)
	1701061M1	1	Gasket	(B)
7	1700951M1	1	Pipe	(A, B)
				(A)
				MANN HUMMEL
				(B)
				KNECHT

EQUIPEMENT ELECTRIQUE  
ELEKTRISCHE ANLAGE  
ELECTRICAL EQUIPMENT



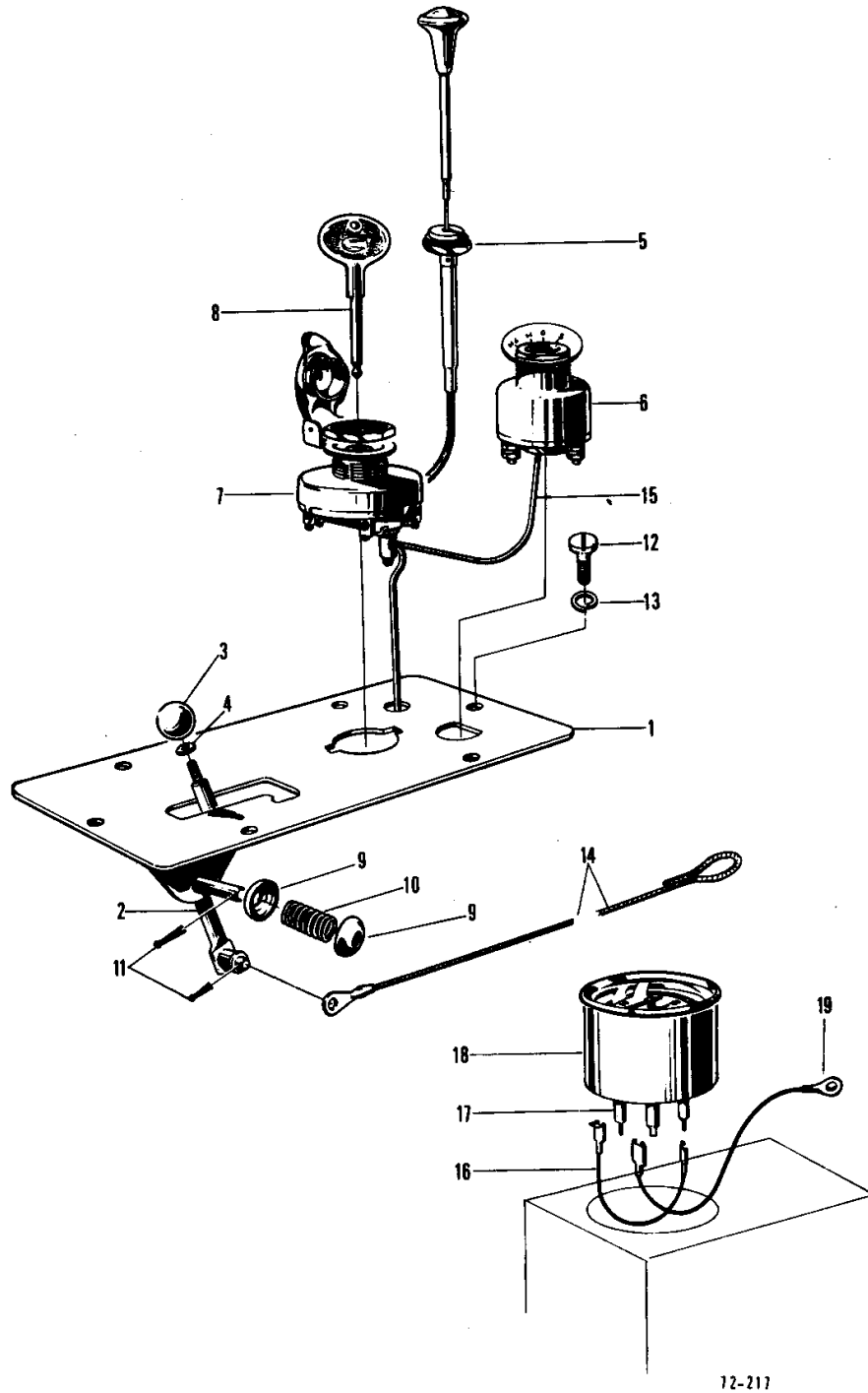
ELECTRICAL EQUIPMENT

Item	Part Number	Qty	Description	Comments
1	418728M1	1	Harness	(F)
	1603039M1	1	Harness	(G)
	1603040M1	1	Harness	(G)
2	403084M3	1	Cable	(D)
	1723929M1	1	Cable	(E)
3	403085M3	1	Cable	(D)
	1723930M1	1	Cable	(E)
4	413740M1	1	Cable	(A)
	418940M1	1	Cable	(B)
5	339124X1	1	Screw Metric	
6	339374X1	1	Lock Washer	
7	339169X1	1	Nut Metric	
8	414173M1	1	Cable	
9	414544M1	1	Cable	
10	414543M1	1	Cable	
11	413716M1	2	Band	
12	413710M91	1	Cover	
13	404948M1	2	Bolt	
	1723834M1	2	Stem	(C)
14	339588X1	2	Washer	
15	339722X1	2	Nut	
16	1700950M1	1	Regulator	(D)
18	414174M1	1	Switch	
19	339721X1	2	Screw Metric	
20	339381X1	2	Lock Washer	
21	339029X1	2	Nut	
22	403152M1	2	Clip	
23	339374X1	1	Lock Washer	
24	353516X1	1	Screw Unf	
25	403065M1	1	Switch	(F)
	916706M1	1	Switch	(G)
26	418730M1	1	Thermometer	(F)
	963418M1	1	Thermometer	(G)
27	1440997X1	1	Ring	
28	405912M1	2	Clamp	
29	327289M2	1	Strap	

(A)  
Up to Serial or Engine Number 2459  
(B)  
From Serial or Engine Number 2460  
(C)  
FRANCE ONLY  
(D)  
Up to Serial or Engine Number 4526  
(E)  
From Serial or Engine Number 4527  
(F)  
Up to Serial or Engine Number C1226506  
(G)  
From Serial or Engine Number C1226507



TABLEAU DE BORD  
SCHALTBRETT  
INSTRUMENT PANEL



Imprimé en FRANCE

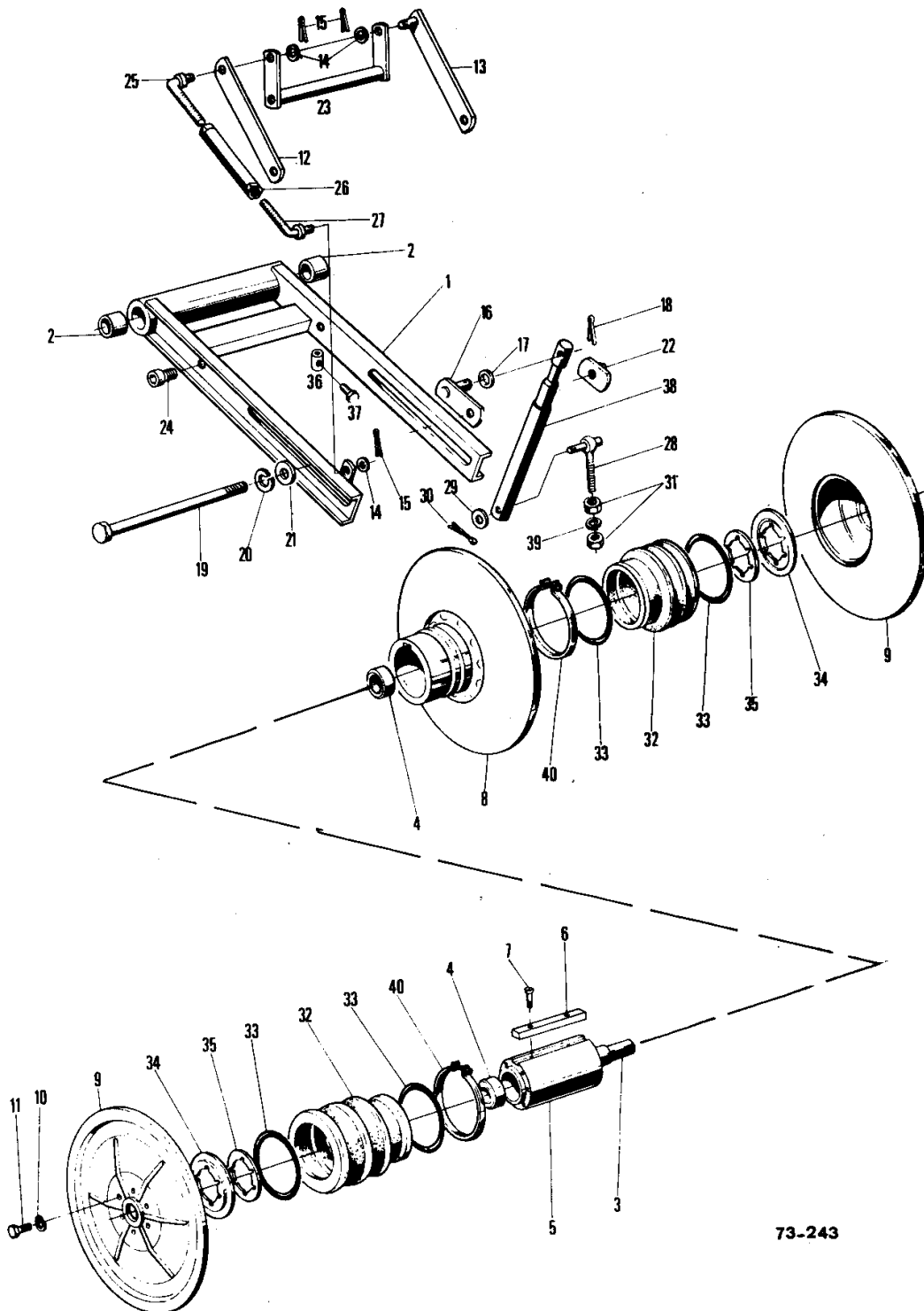
187

419 195 M5 -Emission-1- X/75

INSTRUMENT PANEL

Item	Part Number	Qty	Description	Comments
1	621958M91	1	Instrument Panel	
2	609763M91	1	Lever	
3	339426X1	1	Knob	
4	339375X1	1	Lock Washer	
5	418068M1	1	Choke	(A)
	917292M1	1	Cable	(B)
6	417402M1	1	Switch	
7	621088M1	1	Box	
8	1700112M1	1	Key Door	
9	401888M1	2	Washer	
10	402373M1	1	Spring	
11	339087X1	2	Pin	
12	339359X1	6	Screw Metric	
13	339375X1	6	Lock Washer	
14	418079M91	1	Cable	(A)
	418796M91	1	Cable	(B)
15	410410M1	1	Cable	
16	418729M1	4	Cable	
17	403704M1	4	Bulb 12v 2w	
18	418690M1	1	Instrument	(C)
	621353M1	1	Instrument	(D)
	916157M1	1	Instrument	(E)
	908597M1	2	Bulb	
19	418960M1	1	Cable	(F)
				(A)
				Up to Serial or Engine Number 2459
				(B)
				From Serial or Engine Number 2460
				(C)
				Up to Serial or Engine Number 4526
				(D)
				4527-C1226506
				(E)
				From Serial or Engine Number C1226507
				(F)
				FRANCE

VARIATEUR DE VITESSE  
FAHREVERSTELLTRIEB  
TRACTION DRIVE



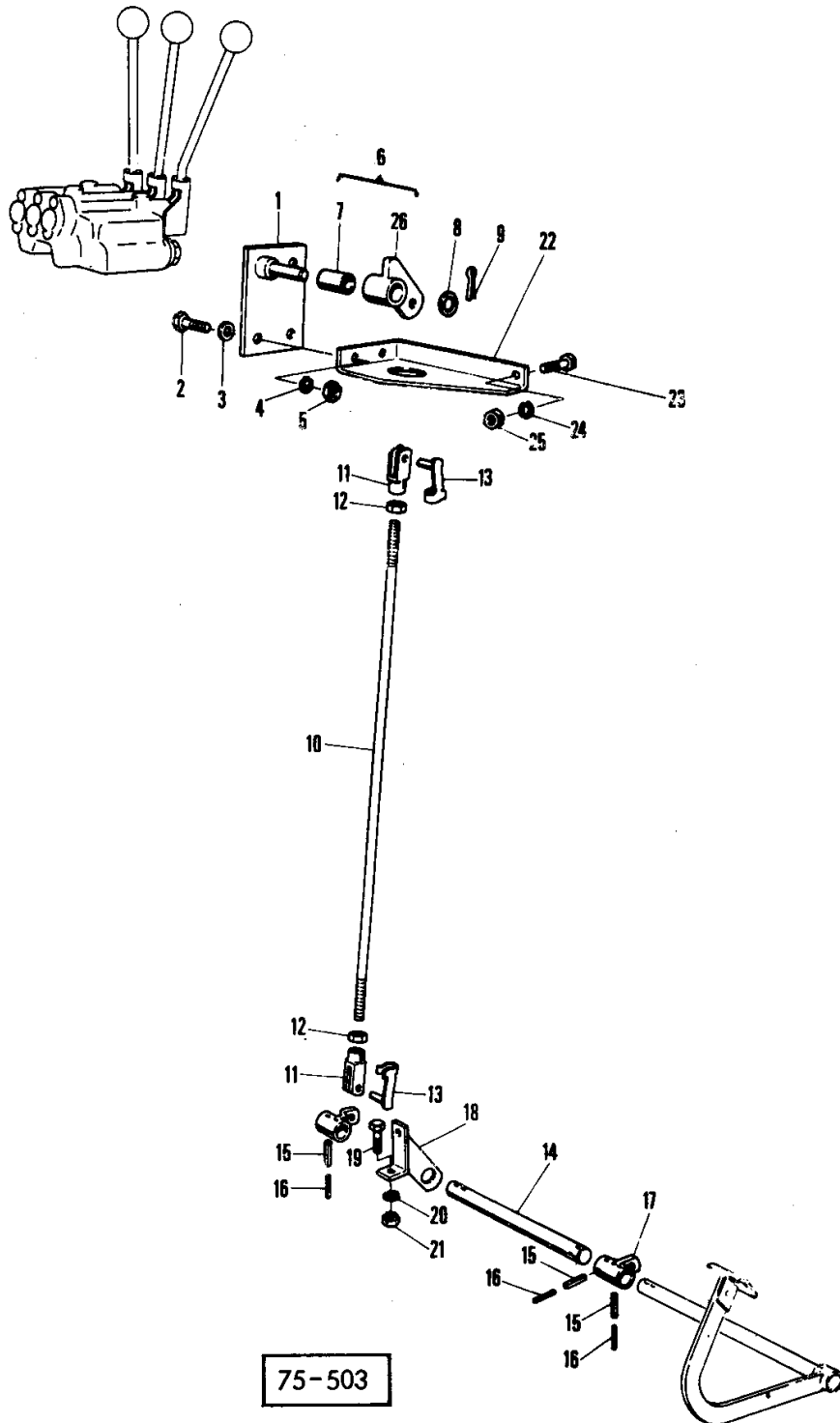
TRACTION DRIVE

Item	Part Number	Qty	Description	Comments
1	417978M91	1	Arm	
	417979M91	1	Arm	
2	417984M1	2	Bush	
3	417985M1	1	Axle	
4	1440496X1	2	Bearing Ball	
5	417986M1	1	Bush	
6	609891M1	1	Key Door	
7	1442057X1	2	Screw Metric	
8	417988M91	1	Pulley	
9	417991M91	2	Pulley	
10	621823M2	12	Washer	
11	621985M1	12	Bolt	
12	404804M1	1	Plate	
13	417996M91	1	Plate	
14	390187X1	3	Washer Metric	
15	339076X1	3	Pin	
16	417997M91	1	Plate	
17	339027X1	2	Washer Metric	
18	391405X1	1	Pin	
19	418000M1	1	Bolt	
20	339378X1	1	Lock Washer	
21	339057X1	1	Pin	
22	418001M91	1	Nut	
23	418003M91	1	Axle	
24	391110X1	2	Screw Metric	
25	404834M91	1	Bolt	
26	404837M91	1	Turnbuckle	
27	404828M91	1	Bolt	
28	418005M91	1	Bolt	
29	339027X1	1	Washer Metric	
30	391405X1	1	Pin	
31	339035X1	2	Nut Metric	
32	621821M1	2	Gaiter	
33	621986M1	4	Ring	
34	621822M2	2	Flange	
35	418011M1	2	Gasket	
36	413007M1	1	Pliers	
37	339160X1	1	Screw	
38	1748000M93	1	Ram	(A)
39	339378X1	1	Lock Washer	
40	1441180X1	2	Clamp	

(A)

See Page - Reference Number 218

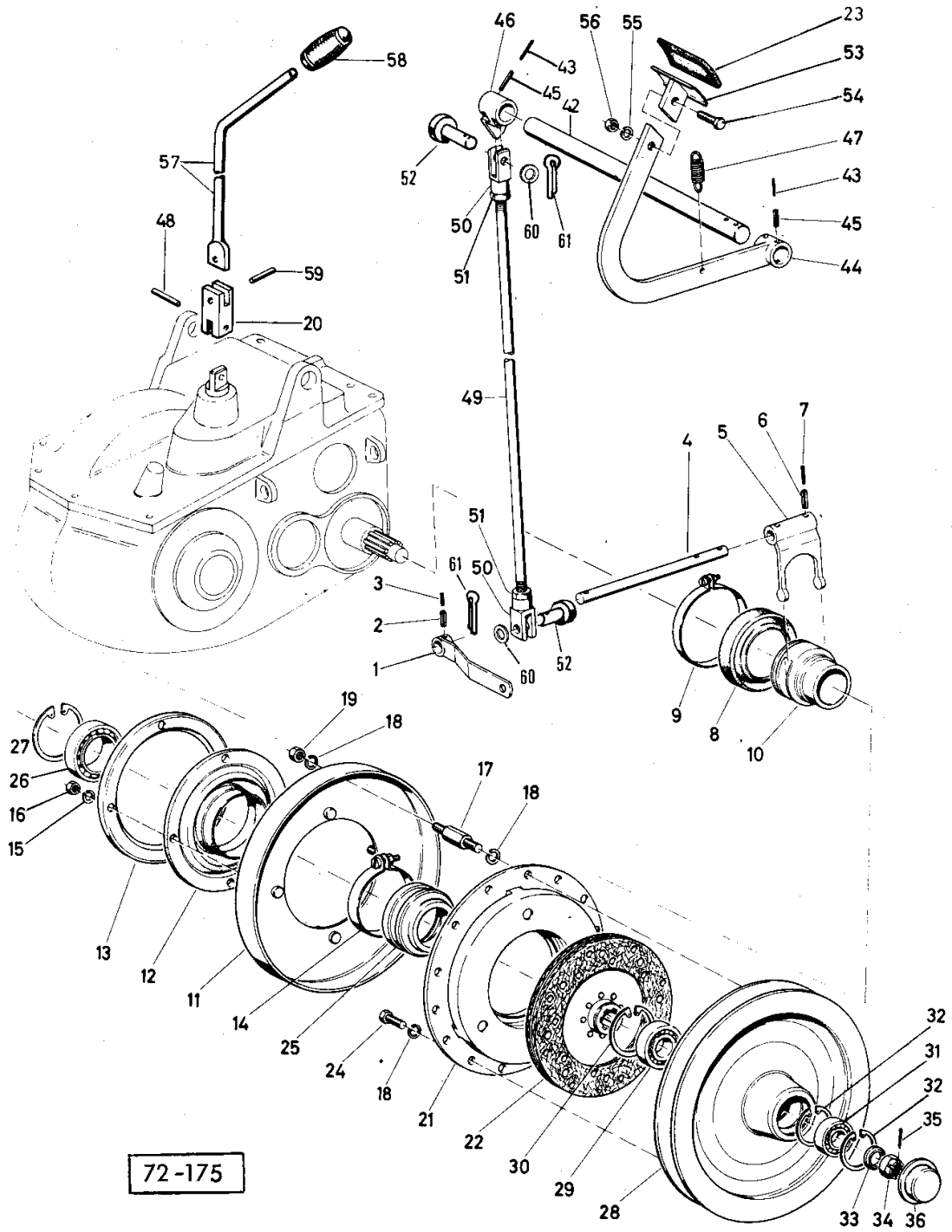
COMMANDE MECANIQUE (VARIATEUR DE VITESSE)  
 MECHANISCHE RÜCKSTEUERUNG (FAHRVERSTELLTRIEB)  
 MECHANICAL DRIVE (VARIATOR)



**MECHANICAL DRIVE (VARIATOR)**

<b>Item</b>	<b>Part Number</b>	<b>Qty</b>	<b>Description</b>
1	1724480M91	1	Plate
2	339123X1	3	Screw Metric
3	391166X1	3	Washer Metric
4	339374X1	3	Lock Washer
5	339169X1	3	Nut Metric
6	1724483M91	1	Lever
7	1721067M1	1	Bush
8	390624X1	1	Washer Metric
9	391405X1	1	Pin
10	1724487M1	1	Rod
11	390094X1	2	Clevis
12	339402X1	2	Nut Metric
13	391373X1	2	Pin
14	1724488M2	1	Shaft
15	339052X1	6	Strip
16	339174X1	6	Pin
17	1724489M92	1	Lever
18	418633M91	1	Support
19	339081X1	2	Screw Metric
20	339376X1	2	Lock Washer
21	339402X1	2	Nut Metric
22	1724516M1	1	Stiffener
23	339124X1	1	Screw Metric
24	339374X1	1	Lock Washer
25	339169X1	1	Nut Metric
26	1724484M91	1	Lever

EMBAYASE  
KUPPLUNG  
CLUTCH

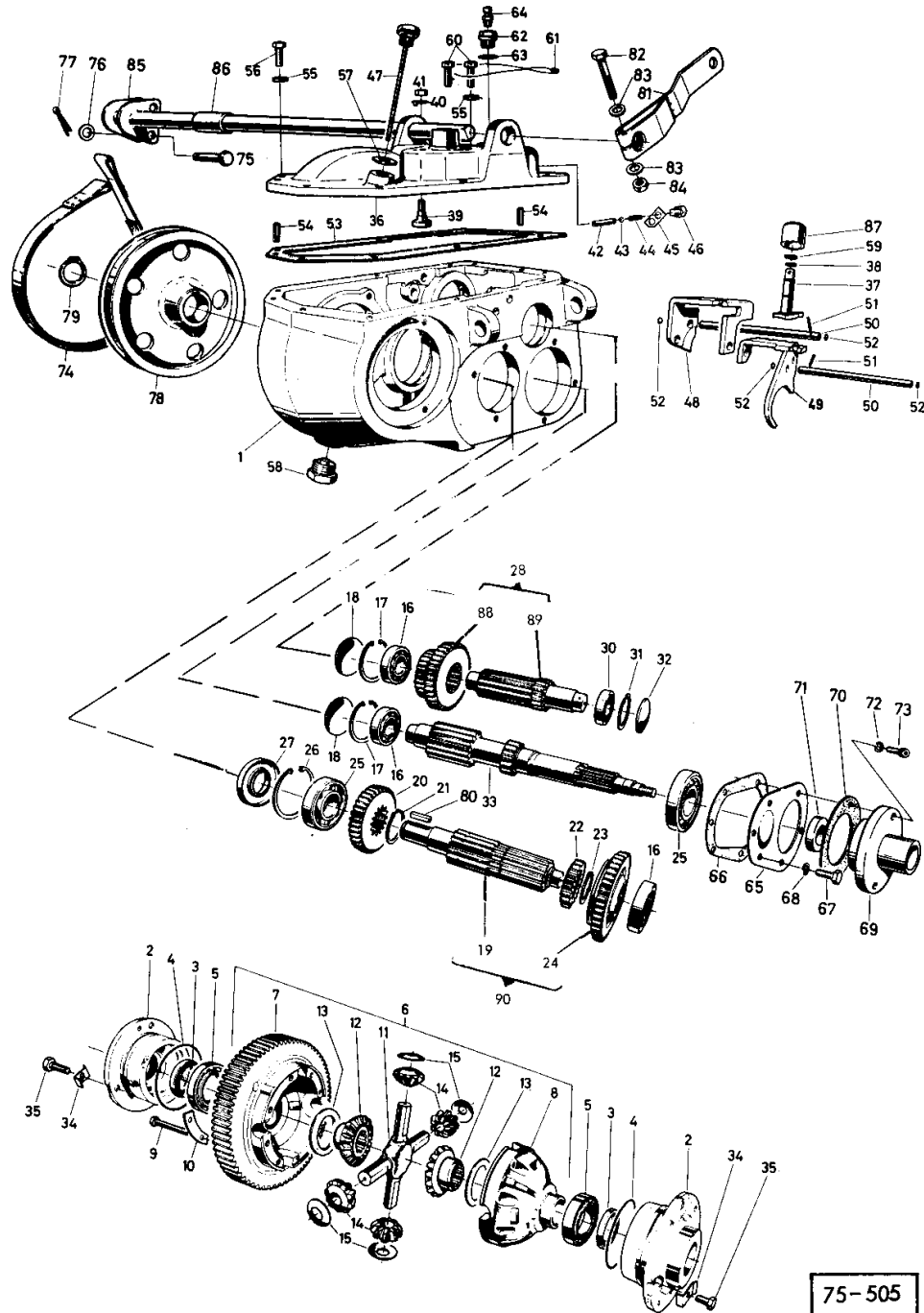


CLUTCH

Item	Part Number	Qty	Description
1	418129M91	1	Lever
2	339390X1	1	Pin
3	339541X1	1	Peg
4	415840M1	1	Shaft
5	415294M91	1	Fork
6	339071X1	2	Pin
7	339664X1	2	Pin
8	415270M1	1	Gaiter
9	391147X1	1	Clip
10	415271M91	1	Bush
11	415274M91	1	Housing
12	415276M1	1	Gaiter
13	416847M1	1	Retainer
14	391146X1	1	Clip
15	339375X1	4	Lock Washer
16	339030X1	4	Nut Metric
17	415281M1	3	Distance Piece
18	339374X1	15	Lock Washer
19	339169X1	3	Nut Metric
20	417033M1	1	Block
21	415279M1	1	Plate
22	415280M1	1	Disc
23	401741M1	1	Cap
24	339123X1	9	Screw Metric
25	415282M1	1	Coupler
26	391145X1	1	Bearing Ball
27	339606X1	1	Circlip
28	418125M1	1	Pulley
29	391361X1	1	Bearing Ball
30	1440479X1	1	Circlip
31	391360X1	1	Bearing Ball
32	339126X1	2	Circlip
33	415284M1	1	Washer
34	339075X1	1	Nut Metric
35	339058X1	1	Pin
36	414089M1	1	Cap
42	418636M1	1	Shaft
43	339174X1	4	Pin
44	417098M91	1	Lever
45	339052X1	4	Strip
46	418641M91	1	Lever
47	417134M2	1	Spring
48	339080X1	1	Roll Pin
49	609774M1	1	Rod
50	390094X1	2	Clevis
51	339402X1	2	Nut Metric
52	391257X1	2	Pin
53	401946M91	1	Pedal
54	339451X1	1	Screw Metric
55	339376X1	1	Lock Washer
56	339402X1	1	Nut Metric
57	418630M1	1	Rod
58	403262M1	1	Handle
59	339080X1	1	Roll Pin
60	339503X1	2	Washer Metric
61	1441482X1	2	Pin



BOITE DE VITESSE  
GETRIEBE  
TRANSMISSION



TRANSMISSION

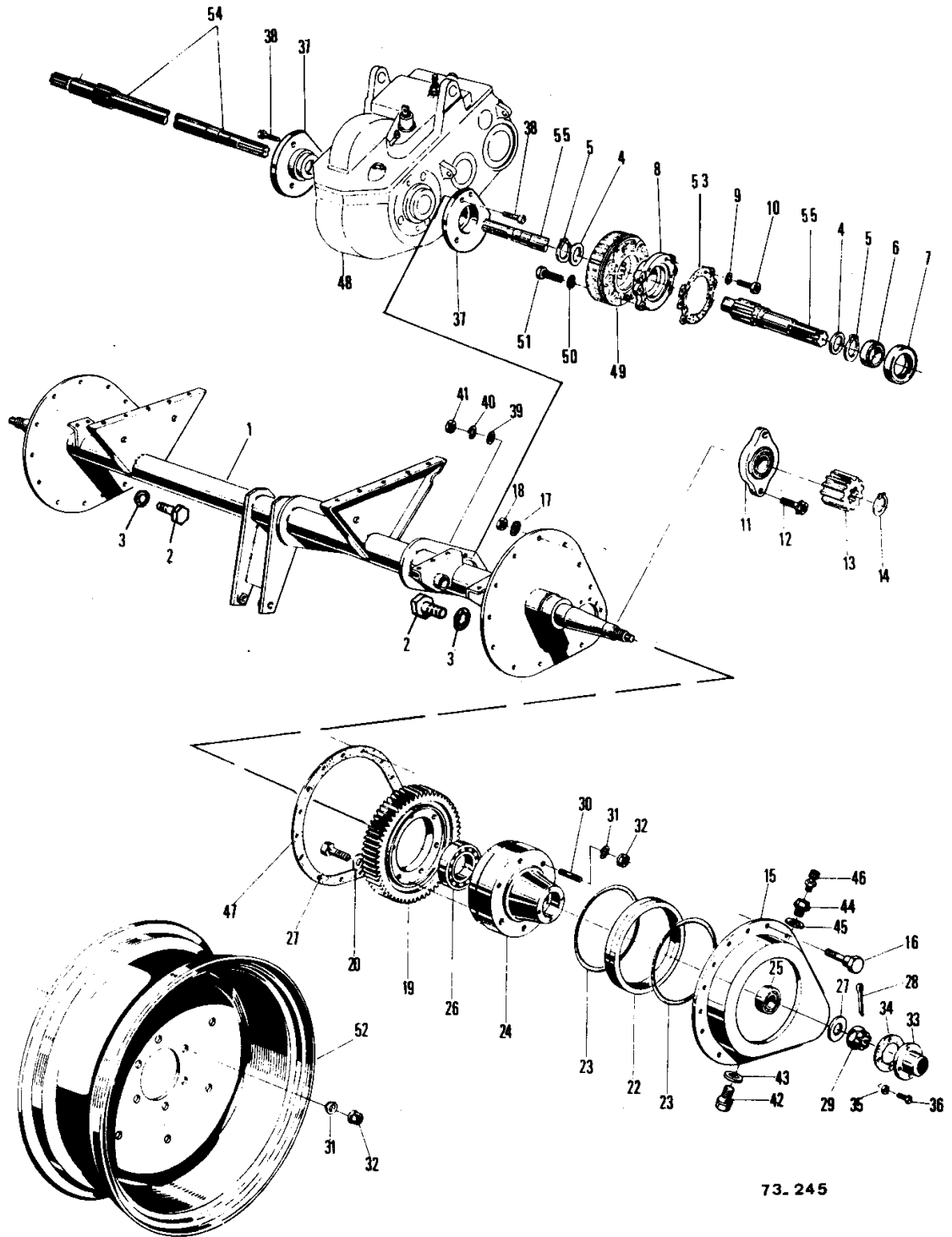
Item	Part Number	Qty	Description	Comments
	905303M91	1	Transmission	
1	417844M1	1	Housing	
2	416764M1	2	Housing	
3	1441464X1	2	Seal	
4	416766M1	2	Seal	
5	391162X1	2	Bearing Ball	
6	417857M91	1	Differential	
7	417858M91	1	Housing	
8		1		Not serviced, order 7
9	339291X1	8	Bolt Metric	
10	417586M1	4	Plate	
11	417582M1	1	Cross Link	
12	416773M1	2	Pinion	Number of teeth/spines 16
13	415963M1	2	Washer	
14	417584M91	4	Pinion	
15	417587M1	4	Washer	
16	1440508X1	3	Bearing Ball	
17	1440480X1	2	Circlip	
18	390237X1	2	Plug	
19	412060M2	1	Shaft	
20	412058M1	1	Gear	
21	390232X1	1	Circlip	
22	412059M1	1	Gear	
23	390233X1	1	Circlip	
24	412057M1	1	Gear	
25	1440511X1	2	Bearing Assy	
26	1440516X1	1	Circlip	
27	390242X1	1	Seal	
28	419137M91	1	Gear	
30	1440494X1	1	Bearing Ball	
31	1440479X1	1	Circlip	
32	390238X1	1	Plug	
33	415835M1	1	Shaft	
34	414607M1	6	Plate	
35	353690X1	6	Screw Unc	
36	417845M1	1	Cover	
37	416783M91	1	Selector	(A)
	609951M91	1	Fork	(B)
38	390235X1	1	Ring	
39	404252M1	1	Stop	
40	613407M1	1	Brake	
41	353916X1	1	Nut Unf	
42	418536M1	2	Pin	
43	390236X1	2	Ring	
44	418535M1	2	Spring	
45	405367M1	1	Plate	
46	418534M1	2	Bolt	
47	416831M91	1	Dipstick	
48	414655M1	1	Fork	
49	414652M91	1	Fork	
50	613435M1	2	Rod	
51	390244X1	2	Roll Pin	
52	390239X1	4	Plug	
53	613409M1	1	Gasket	
54	391416X1	2	Pin	
55	22764X	9	Lock Washer	
56	353691X1	7	Screw Unc	
57	390688X1	1	Seal	
58	417856M1	1	Plug	
59	1440475X1	1	Circlip	(A)
	1442473X1	1	Ring	(B)
60	405090M1	2	Bolt	
61	405089M1	1	Wire	
62	416830M1	1	Plug	
63	391358X1	2	Washer	
64	190729M91	1	Breather	
65	415836M1	1	Cover	
66	415837M1	1	Joint	
67	339228X1	3	Screw Metric	
68	339374X1	3	Lock Washer	

TRANSMISSION

Item	Part Number	Qty	Description	Comments
69	415838M1	1	Flange	
70	415839M1	1	Joint	
71	415269M1	1	Seal	(C)
	1441823X1	1	Seal	(C)
72	339374X1	3	Lock Washer	
73	390174X1	3	Bolt	
74	412493M91	1	Band	
75	339154X1	2	Pin	
76	339763X1	2	Washer	
77	339076X1	2	Pin	
78	401024M1	1	Disc	
79	339469X1	1	Segment	
80	339460X1	1	Key Parallel	
81	418126M1	1	Lever	
82	339403X1	1	Screw	
83	339026X1	1	Washer Metric	
84	339054X1	1	Nut Metric	
85	418127M91	1	Shaft	
86	417546M1	1	Spacer	
87	414597M91	1	Bush	(A)
	609653M91	1	Bush	(B)
88	417847M1	1	Gear	
89	417848M1	1	Shaft	
90	1604159M91	1	Pinion	

(A)  
Up to Serial or Engine Number  
(B)  
From Serial or Engine Number  
(C)  
ALTERNATIVE

PONT AVANT  
VORDERACHSE  
FRONT AXLE



73. 245

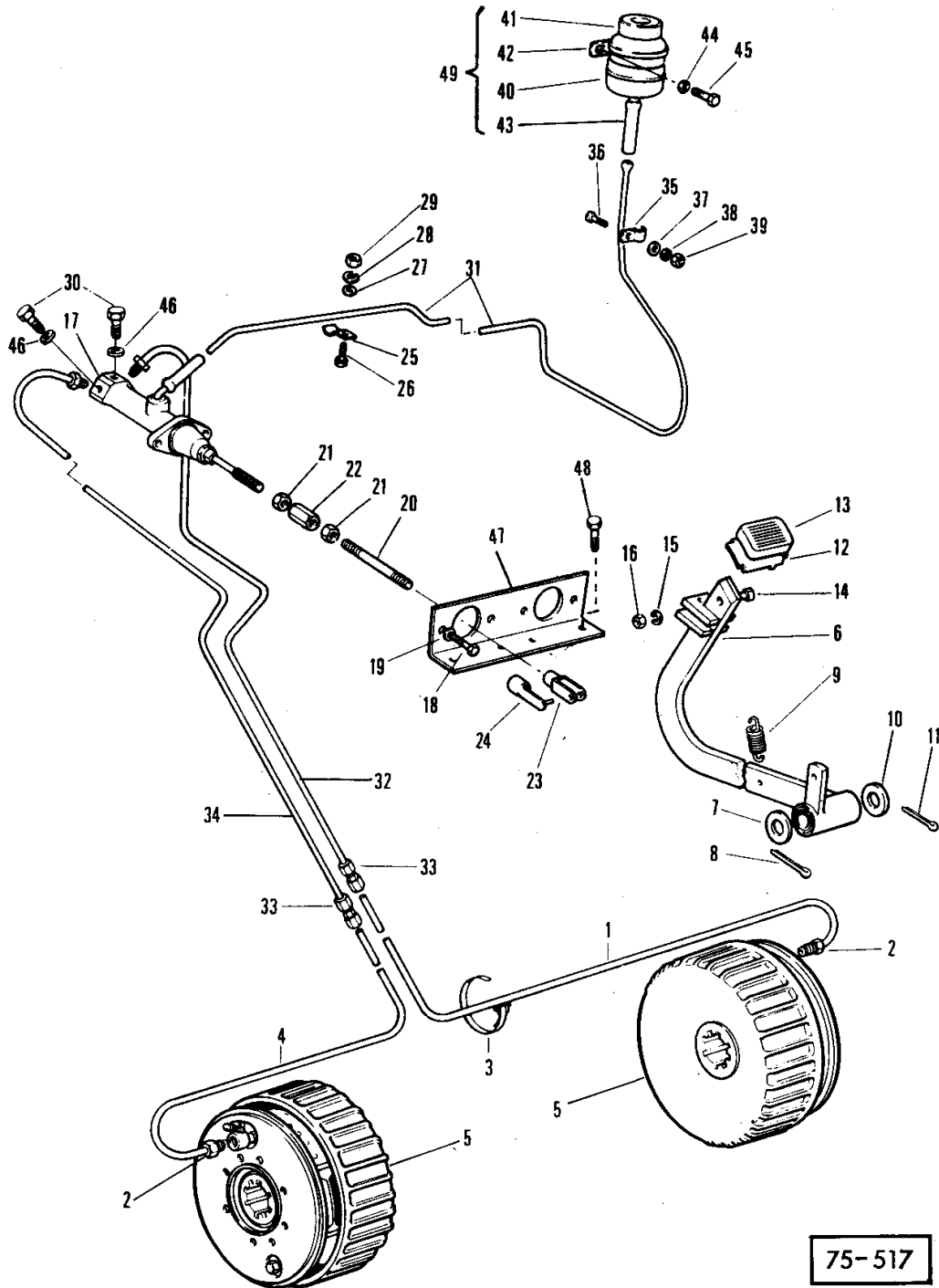
FRONT AXLE

Item	Part Number	Qty	Description	Comments
1	418105M92	1	Axle	
2	1441535X1	2	Plug	
3	391312X1	2	Gasket	
4	417128M1	4	Washer	
5	1440478X1	4	Circlip	
6	416944M1	2	Spacer	
7	417213M1	2	Bush	
8	418134M1	2	Housing	(A)
	418788M1	2	Bearing Carrier	(B)
9	1440990X1	12	Washer	
10	1442210X1	12	Bolt Metric	
11	418135M1	2	Housing	
12	391369X1	4	Bolt Metric	
13	416949M1	2	Pinion	Number of teeth/spines 12
14	390948X1	2	Circlip	
15	418136M91	2	Housing	(D)
	1725302M91	2	Housing	(E)
16	339660X1	28	Bolt	(D)
	339804X1	28	Screw Metric	(E)
17	390262X1	28	Washer	(D)
18	339030X1	28	Nut Metric	(D)
	1441462X1	28	Locknut	(E)
19	416955M1	2	Pinion	Number of teeth/spines 63
20	390764X1	12	Washer Metric	
21	339442X1	12	Bolt Metric	
22	416954M1	2	Joint	
23	1701153M1	4	Washer	
24	1724689M2	2	Hub	
25	339440X1	2	Bearing	
26	339469X1	2	Segment	
27	391309X1	2	Washer Metric	
28	339040X1	2	Pin	
29	390761X1	2	Nut Metric	
30	390851X1	12	Stud	
31	339448X1	12	Washer	
32	339447X1	12	Nut Metric	
33	1724692M1	2	Cap	
34	1724691M1	2	Gasket	
35	339374X1	12	Lock Washer	
36	339761X1	12	Screw Metric	
37	403185M1	2	Retainer	
38	339337X1	6	Screw Metric	
39	339817X1	6	Washer Metric	
40	339374X1	6	Lock Washer	
41	339169X1	6	Nut Metric	
42	339494X1	2	Plug	
43	390202X1	2	Seal	
44	416956M1	2	Plug	
45	390202X1	2	Seal	
46	190729M91	2	Breather	
47	418139M1	2	Joint	(D)
	1724286M1	2	Gasket	(E)
48		1	Transmission	(G)
49		2	Brake	(H)
50	1440990X1	12	Washer	(A)
51	1441701X1	12	Screw Metric	(A)
	1441000X1	16	Screw Metric	(B)
	339374X1	16	Lock Washer	(B)
52	413289M1	2	Rim	(I)
				11-28
	413093M1	2	Wheel	(C)
				12-28
	413797M1	2	Wheel	(I)
				13-26
	413286M2	2	Wheel	(I)
				20-20
53	1725304M1	2	Joint	(F)
54	418123M1	1	Shaft	Right Hand
55	418131M1	1	Shaft	Left Hand
				(A)

FRONT AXLE

Item	Part Number	Qty	Description	Comments
				SINGLE WHEEL BRAKE
				(B)
				STANDARD BRAKE
				(C)
				FRANCE
				(D)
				Up to Serial or Engine Number 4933
				(E)
				From Serial or Engine Number 4934
				(F)
				From Serial or Engine Number 5176
				(G)
				SEE PAGE 167
				(H)
				SEE PAGE 172
				(I)
				U.K.

COMMANDE DE FREIN }  
 BREMSBETÄTIGUNG } STANDARD  
 BRAKE OPERATING }



**MASSEY FERGUSON**

**MF 187 COMBINE - 419195**

419195

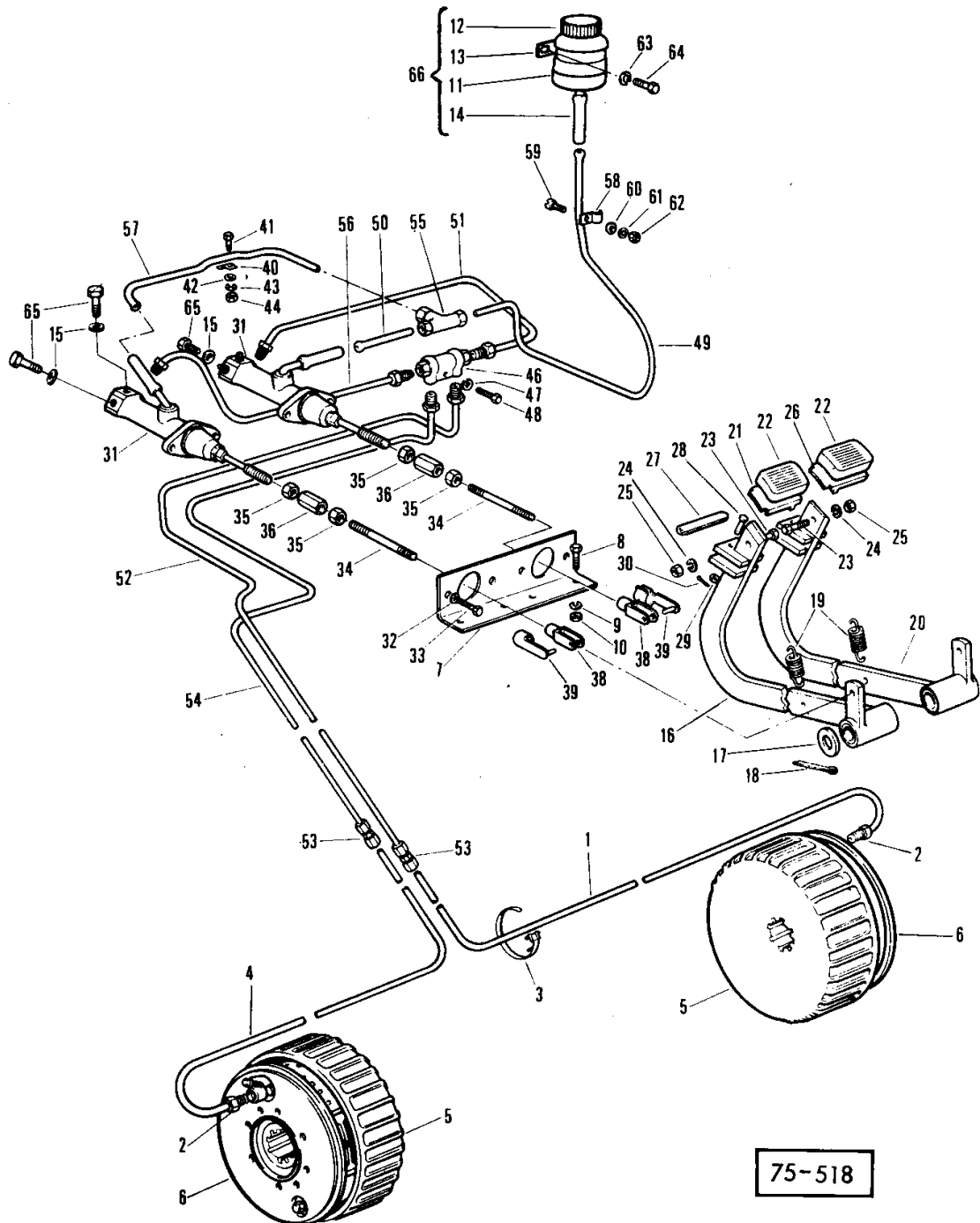
172

**BRAKE OPERATING - STANDARD**

Item	Part Number	Qty	Description	Comments
				STANDARD
1	412500M1	1	Tube	(B) Right Hand
	916672M1	1	Brake	(C) Right Hand
2	390835X1	2	Bolt	
3	410403M1	4	Band	
4	412499M1	1	Tube	(B) Left Hand
	916660M91	1	Tube	(C) Left Hand
5	414506M1	2	Brake	(A)
	412498M1	2	Brake	(A)
6	418637M91	1	Lever	
7	391393X1	1	Washer Metric	
8	391428X1	1	Pin	
9	417134M2	1	Spring	
10	391393X1	1	Washer Metric	
11	391428X1	1	Pin	
12	417040M91	1	Pedal	
13	401741M1	1	Cap	
14	339451X1	1	Screw Metric	
15	339376X1	1	Lock Washer	
16	339402X1	1	Nut Metric	
17	418644M1	1	Cylinder	(D)
18	339123X1	2	Screw Metric	
19	339374X1	2	Lock Washer	
20	391240X1	1	Stud	
21	339433X1	2	Nut Metric	
22	418645M1	1	Spacer	
23	390094X1	1	Clevis	
24	391373X1	1	Pin	
25	405203M1	1	Clip	
26	339123X1	1	Screw Metric	
27	391166X1	1	Washer Metric	
28	339374X1	1	Lock Washer	
29	339169X1	1	Nut Metric	
30	1440994X1	2	Plug	
31	418648M1	1	Tube	
32	418650M1	1	Tube	(B)
	1603428M91	1	Tube	(C)
33	390835X1	2	Bolt	
34	418649M1	1	Tube	(B)
	1603430M91	1	Tube	(C)
35	405203M1	1	Clip	
36	339043X1	1	Screw Metric	
37	391166X1	1	Washer Metric	
38	339374X1	1	Lock Washer	
39	339169X1	1	Nut Metric	
40		1		Not serviced, order 49
41	1701394M91	1	Plug	
	1701396M1	1	Gasket	
42	1701396M1	1	Gasket	
43	1701393M1	1	Hose	
44	339375X1	2	Lock Washer	
45	339359X1	2	Screw Metric	
46	1440993X1	2	Seal	
47	417073M1	1	Reinforcement	
48	339124X1	3	Screw Metric	
	339374X1	3	Lock Washer	
	339169X1	3	Nut Metric	
49	418646M1	1	Container	
				(A) ALTERNATIVE (B) Up to Serial or Engine Number C1215902 (C) From Serial or Engine Number C1215903 (D) SEE PAGE 187



COMMANDE DE FREIN (ROUE INDIVIDUELLE)  
 BREMSBETÄTIGUNG (EINZELRAD)  
 BRAKE OPERATING (SINGLE WHEEL)



BRAKE OPERATING - SINGLE WHEEL

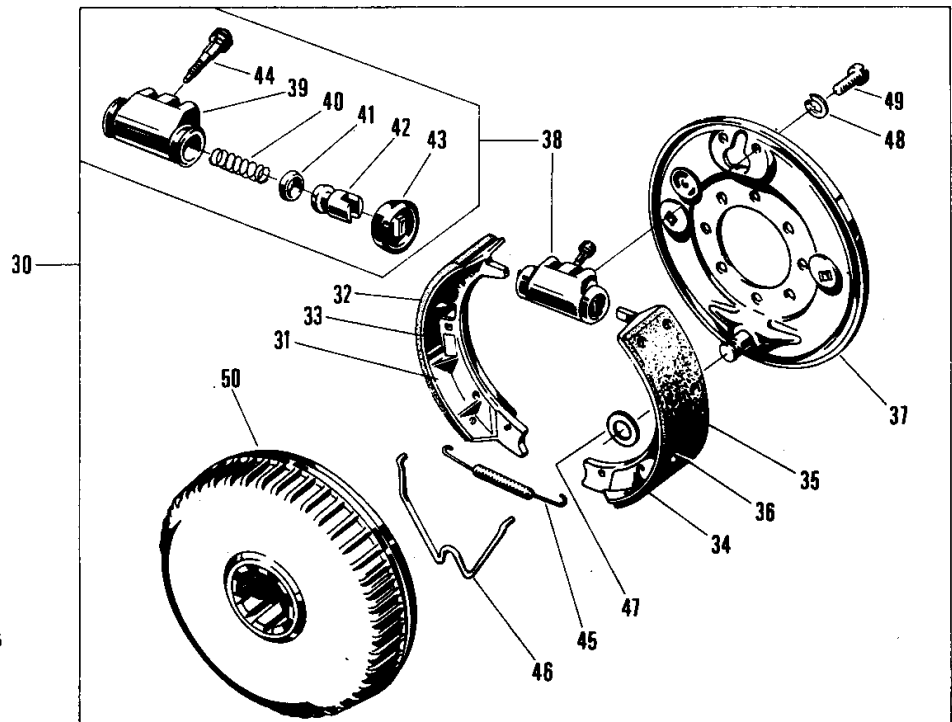
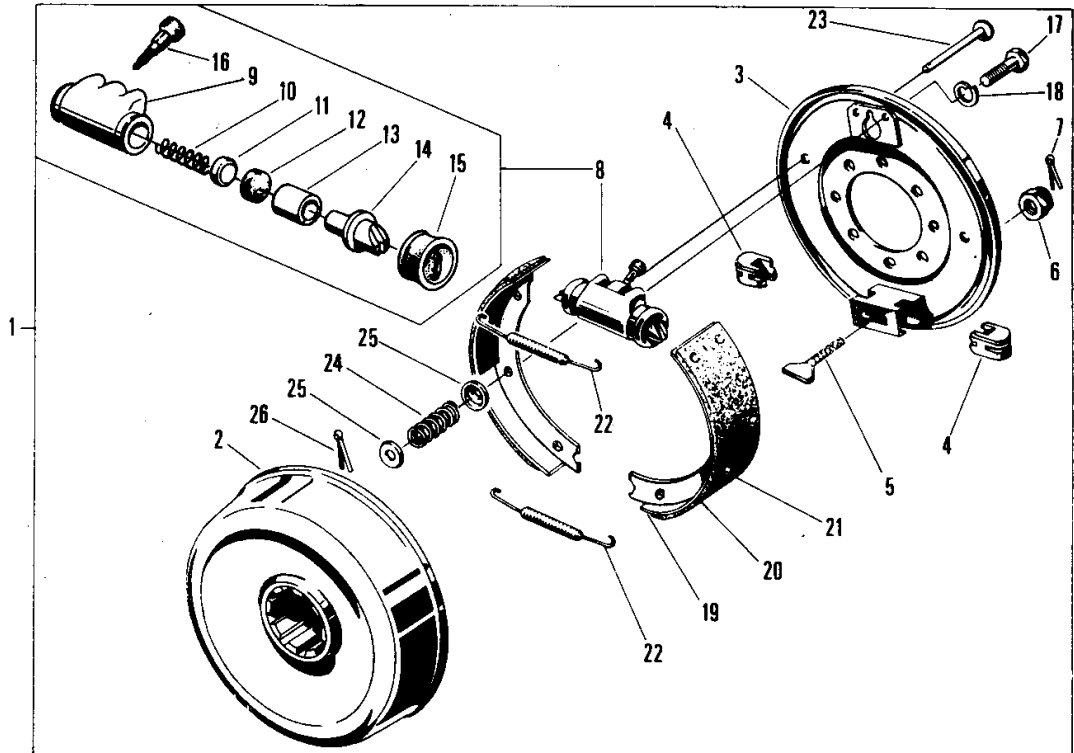
Item	Part Number	Qty	Description	Comments
				SINGLE WHEEL
1	412500M1	1	Tube	(B)
	916672M1	1	Brake	Right Hand (C) Right Hand
2	390835X1	2	Bolt	
3	410403M1	4	Band	
	412502M1	4	Clamp	
4	412499M1	1	Tube	(B)
	916660M91	1	Tube	Left Hand (C) Left Hand
5	418132M1	2	Drum	
6	418133M1	2	Brake	(A)
	1720018M1	2	Brake	(A)
7	417073M1	1	Reinforcement	
8	339124X1	3	Screw Metric	
9	339374X1	3	Lock Washer	
10	339169X1	3	Nut Metric	
11		1		Not serviced, order 66
12	1701394M91	1	Plug	
	1701396M1	1	Gasket	
13	1701395M1	1	Clamp	
14	1701393M1	1	Hose	
15	1440993X1	6	Seal	
16	418637M91	1	Lever	Left Hand
17	391393X1	1	Washer Metric	
18	391428X1	1	Pin	
19	417134M2	2	Spring	
20	418640M91	1	Lever	Right Hand
21	417040M91	1	Pedal	
22	401741M1	2	Cap	
23	339451X1	2	Screw Metric	
24	339376X1	2	Lock Washer	
25	339402X1	2	Nut Metric	
26	417039M91	1	Pedal	
27	417069M1	1	Lever	
28	391257X1	1	Pin	
29	326275X1	1	Washer	
30	390739X1	1	Pin	
31	418644M1	2	Cylinder	(D)
32	339374X1	4	Lock Washer	
33	339123X1	4	Screw Metric	
34	391240X1	2	Stud	
35	339433X1	4	Nut Metric	
36	418645M1	2	Spacer	
38	390094X1	2	Clevis	
39	391373X1	2	Pin	
40	405203M1	1	Clip	
41	339123X1	1	Screw Metric	
42	391166X1	1	Washer Metric	
43	339374X1	1	Lock Washer	
44	339169X1	1	Nut Metric	
46	417860M1	1	Pressure Valve	
47	339374X1	1	Lock Washer	
48	339228X1	1	Screw Metric	
49	418651M1	1	Tube	
50	418652M1	1	Tube	
51	418653M1	1	Pipe	
52	418654M1	1	Pipe	(B)
	1603421M91	1	Pipe	(C)
53	390813X1	2	Connection	
54	418655M1	1	Pipe	(B)
	1603426M91	1	Tube	(C)
55	1440995X1	1	Connection	
56	418656M1	1	Pipe	
57	418657M1	1	Tube	
58	405203M1	1	Clip	
59	339043X1	1	Screw Metric	
60	391166X1	1	Washer Metric	

**BRAKE OPERATING - SINGLE WHEEL**

<b>Item</b>	<b>Part Number</b>	<b>Qty</b>	<b>Description</b>	<b>Comments</b>
61	339374X1	1	Lock Washer	
62	339169X1	1	Nut Metric	
63	339375X1	2	Lock Washer	
64	339359X1	2	Screw Metric	
65	1440994X1	1	Plug	

(A)  
Alternative  
(B)  
Up to Serial or Engine Number C1215902  
(C)  
From Serial or Engine Number C1215903  
(D)  
SEE PAGE 187

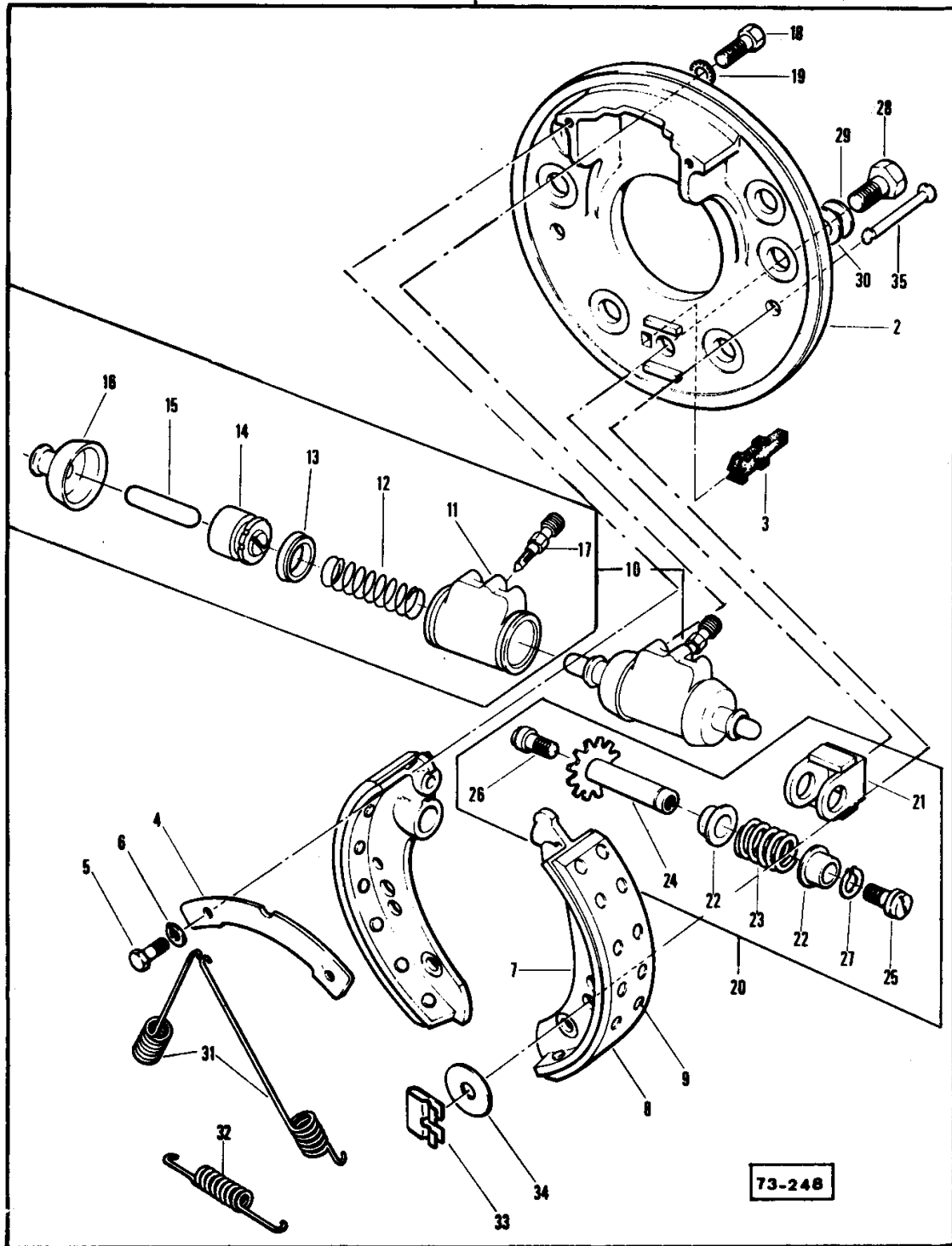
FREIN STANDARD	} 414 506 M1
BREMSE STANDARD	
BRAKE STANDARD	



72-205

Item	Part Number	Qty	Description	Comments
				414506M1, 412498M1
1	414506M1	1	Brake	(A)
2	1701023M1	1	Drum	(A)
3	1701024M91	1	Flange	(A)
4	1701028M1	2	Cleat	(A)
5	1701029M1	1	Spanner	(A)
6	390881X1	1	Nut Metric	(A)
7	391401X1	1	Pin	(A)
8	1701030M91	1	Cylinder	(A)
9		1		Not serviced, order 8 (A)
10	1700871M1	1	Spring	(A)
11	1701040M1	2	Seat	(A)
12	1701041M1	2	Ring	(A)
13	1701042M1	2	Piston	(A)
14	1701043M1	2	Clevis Pin	(A)
15	1701044M1	2	Cap	(A)
16	1700875M1	1	Breather	(A)
17	339666X1	2	Screw Metric	(A)
18	391130X1	2	Washer	(A)
19	1701031M91	2	Shoe	(A)
20	1701033M1	1	Facing	(A)
21	391131X1	7	Rivet	(A)
22	1701034M1	2	Spring	(A)
23	1701035M1	2	Pin	(A)
24	1701036M1	2	Spring	(A)
25	1701037M1	4	Cover	(A)
26	391132X1	2	Pin	(A)
30	412498M1	1	Brake	(B)
31	1700865M91	1	Shoe	(B)
32	1701866M1	1	Lining	(B)
33	390904X1	14	Rivet	(B)
34	1700867M91	1	Shoe	(B)
35	1700866M1	1	Lining	(B)
36	390904X1	14	Rivet	(B)
37	1700868M1	1	Flange	(B)
38	1700869M91	1	Cylinder	(B)
39		1		Not serviced, order 38 (B)
40	1700871M1	1	Spring	(B)
41	1700972M1	2	Ring	(B)
42	1700873M1	2	Piston	(B)
43	1700874M1	2	Cap	(B)
44	1700875M1	1	Breather	(B)
45	1700876M1	1	Spring	(B)
46	1700877M1	1	Spring	(B)
47	1700878M1	1	Washer	(B)
48	390902X1	2	Washer	(B)
49	390903X1	2	Screw Metric	(B)
50	1700880M1	1	Drum	(B) (A) KNOTT (B) PERROT

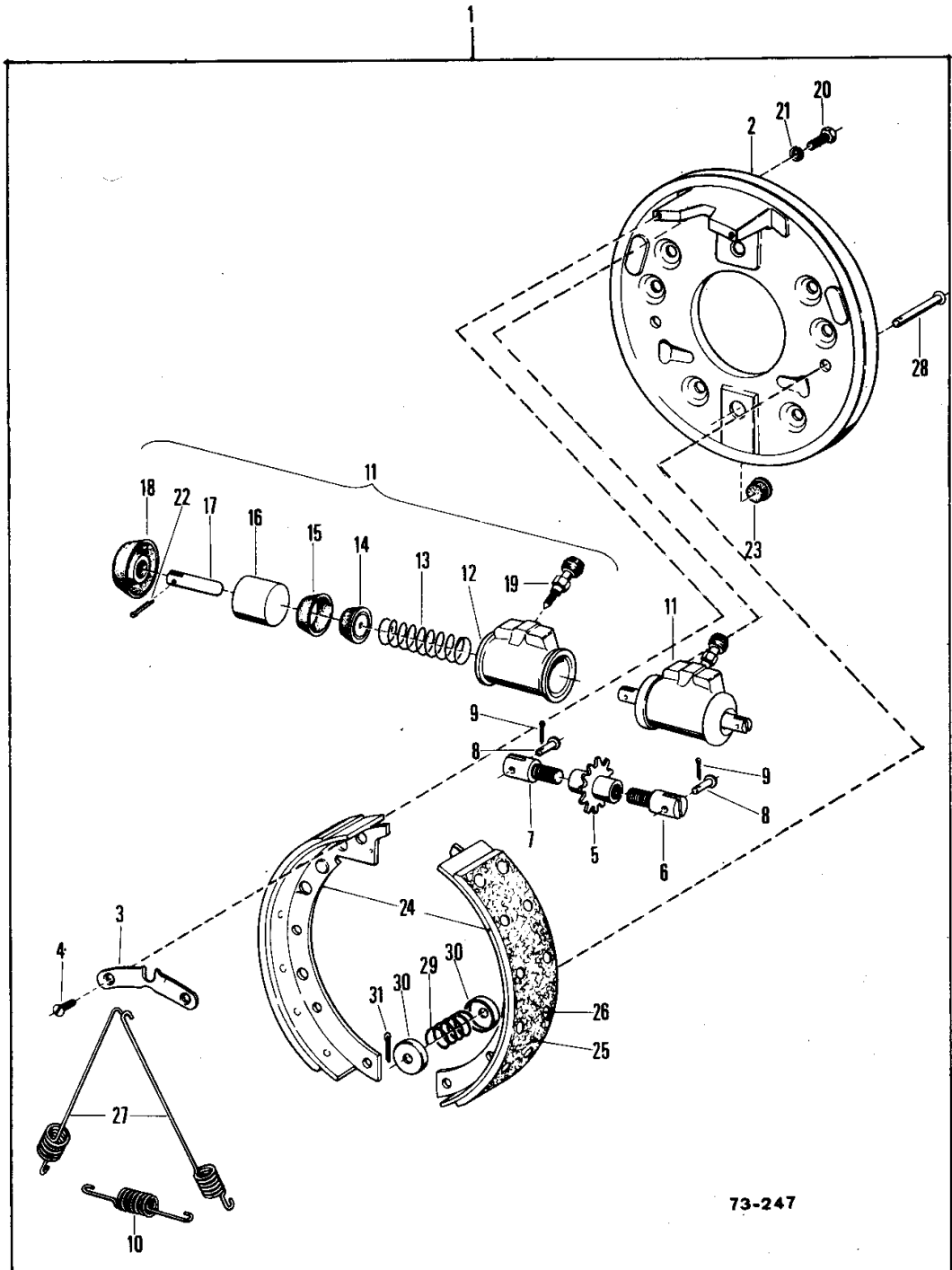
FREIN (ROUE INDIVIDUELLE) } 418 133 M1  
 BREMSE (EINZELRAD) } PERROT  
 BRAKE (SINGLE WHEEL)



BRAKE - SINGLE WHEEL

Item	Part Number	Qty	Description	Comments
				SINGLE WHEEL 418133M1 PERROT
1	418133M1	1	Brake	
2	1701397M1	1	Plate	
3	1701398M1	1	Plug	
4	1701399M1	1	Plate	
5	391074X1	2	Screw Metric	
6	339375X1	2	Lock Washer	
7	1701400M91	2	Shoe	
8	1701401M1	1	Lining	
9	1441205X1	14	Rivet	
10	1701402M91	1	Cylinder	
11		1		Not serviced, order 10
12	1700871M1	1	Spring	
13	1701403M1	2	Ring	
14	1701404M1	2	Piston	
15	1701405M1	2	Pin	
16	1700888M1	2	Boot	
17	1700875M1	1	Breather	
18	339666X1	2	Screw Metric	
19	1441206X1	2	Lock Washer	
20	1701406M1	1	Adjuster	
21	1701407M1	1	Housing	
22	1701408M1	2	Bush	
23	1701409M1	1	Spring	
24	1701410M1	1	Nut	
25	1701411M1	1	Bolt	
26	1701412M1	1	Bolt	
27	339069X1	1	Circlip	
28	339081X1	1	Screw Metric	
29	391363X1	1	Washer	
30	390734X1	1	Washer Metric	
31	1701413M1	2	Spring	
32	1701414M1	1	Spring	
33	1701415M1	2	Spring	
34	1701416M1	2	Washer	
35	1701417M1	2	Pin	

FREIN (ROUE INDIVIDUELLE)	} 1720 016 #1 KHOTT
BREMSE (EINZELRAD)	
BRAKE (SINGLE WHEEL)	

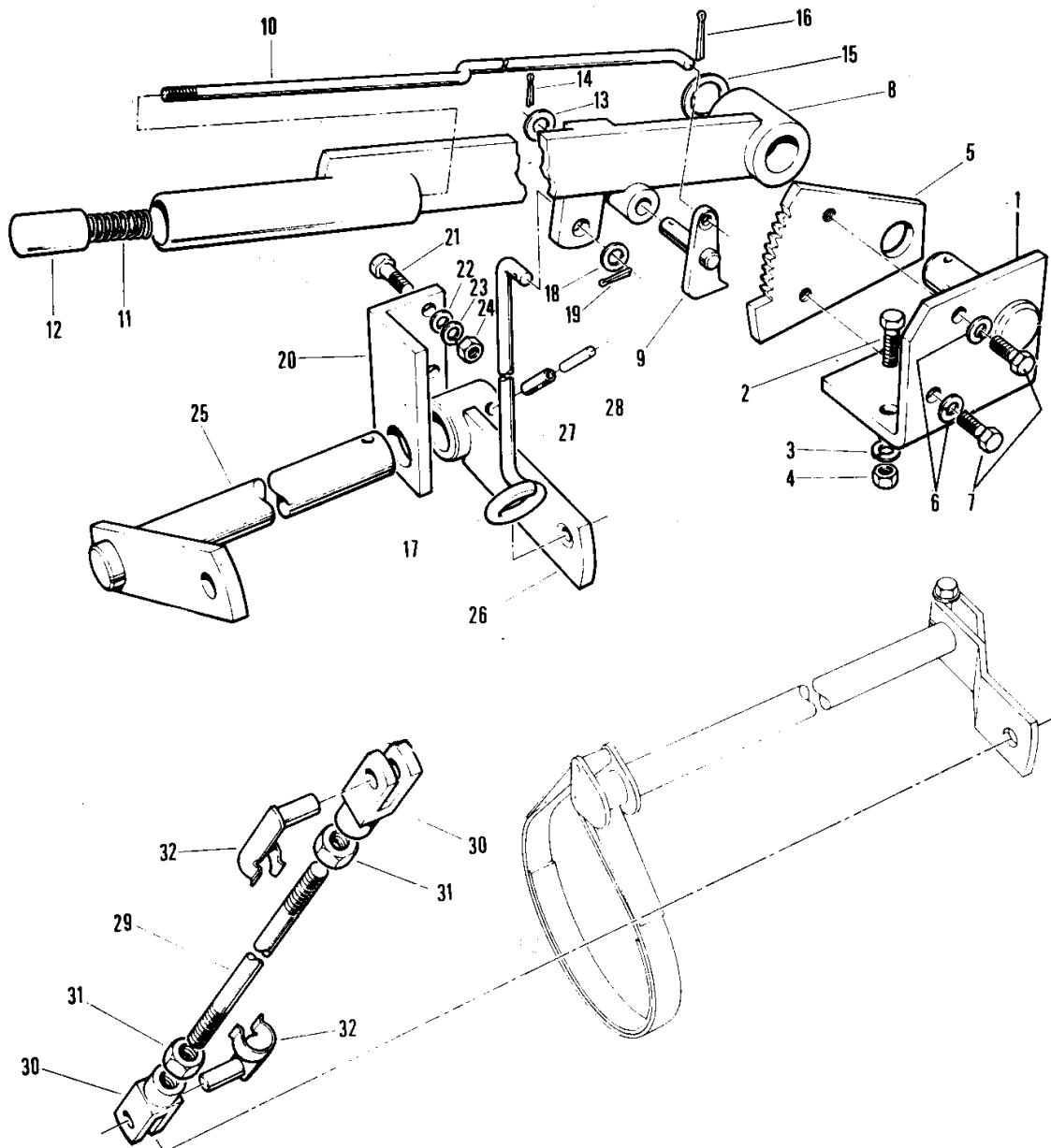




BRAKE - SINGLE WHEEL

Item	Part Number	Qty	Description	Comments
				SINGLE WHEEL 1720018M1 KNOTT
1	1720018M1	1	Brake	
2	1701596M91	1	Plate	
3	1701598M1	1	Plate	
4	1441943X1	2	Screw Metric	
5	1701604M1	1	Pinion	
6	1701602M1	2	Screw	Left Hand
7	1701616M1	1	Pin	Right Hand
8	1701603M1	2	Pin	
9	391400X1	2	Pin	
10	1701606M1	1	Spring	
11	1701608M91	1	Cylinder	
12		1		Not serviced, order 11
13	1700871M1	1	Spring	
14	1701610M1	2	Seat	
15	1701611M1	2	Ring	
16	1701612M1	2	Piston	
17	1701614M1	2	Pin	
18	1701613M1	2	Cap	
19	1700875M1	1	Breather	
20	339666X1	2	Screw Metric	
21	391130X1	2	Washer	
22	339087X1	1	Pin	
23	1701599M1	1	Plug	
24	1701600M91	2	Shoe	
25	1701601M1	28	Lining	
26	1441942X1	2	Rivet	
27	1701605M1	2	Spring	
28	1701607M1	2	Pin	
29	1701036M1	2	Spring	
30	1701037M1	4	Cover	
31	391401X1	2	Pin	

FREIN A MAIN  
HANDBREMSANLAGE  
HANDBRAKE

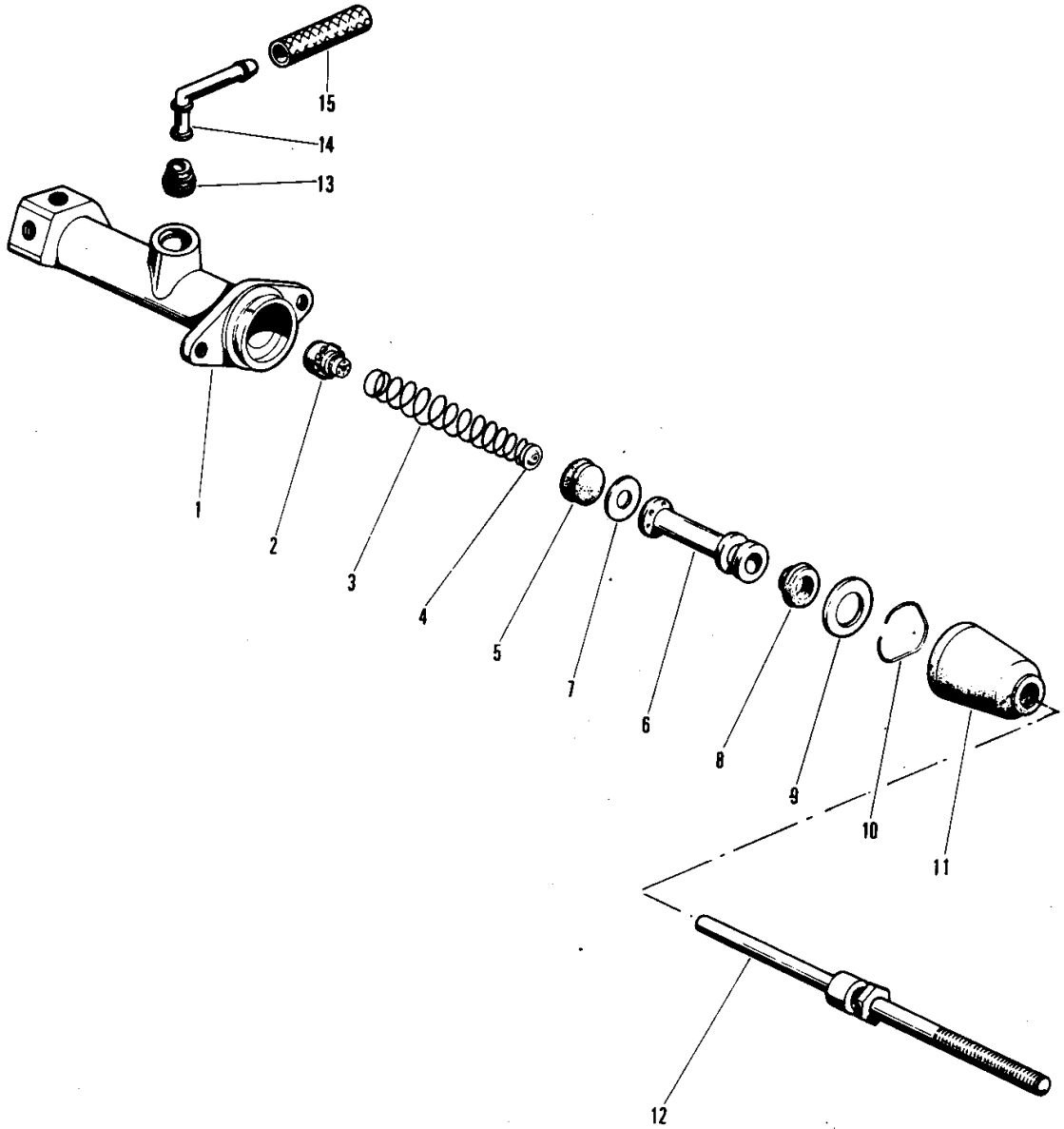


73-249

HANDBRAKE

Item	Part Number	Qty	Description
1	418614M91	1	Angle
2	339123X1	3	Screw Metric
3	339374X1	3	Lock Washer
4	339169X1	3	Nut Metric
5	418616M1	1	Quadrant
6	339374X1	2	Lock Washer
7	339124X1	2	Screw Metric
8	418617M91	1	Lever
9	418621M91	1	Handle
10	418618M1	1	Rod
11	402000M1	1	Spring
12	401998M1	1	Button
13	339024X1	1	Washer Metric
14	390897X1	1	Washer Metric
15	1440301X1	1	Washer Metric
16	339133X1	1	Pin
17	418622M1	1	Rod
18	391380X1	1	Washer Metric
19	339380X1	1	Washer
20	418623M1	1	Bearer
21	339761X1	2	Screw Metric
22	391166X1	1	Washer Metric
23	339374X1	2	Lock Washer
24	339169X1	2	Nut Metric
25	418624M91	1	Shaft
26	418627M91	1	Lever
27	339071X1	1	Pin
28	1440911X1	1	Pin
29	418629M1	1	Stem
30	339654X1	2	Yoke
31	339169X1	2	Nut Metric
32	391359X1	2	Pin

CYLINDRE PRINCIPAL  
 HAUPTTRMSZYLINDER  
 MASTER CYLINDER } 418 644 M1



73-250

**MASSEY FERGUSON****MF 187 COMBINE - 419195**

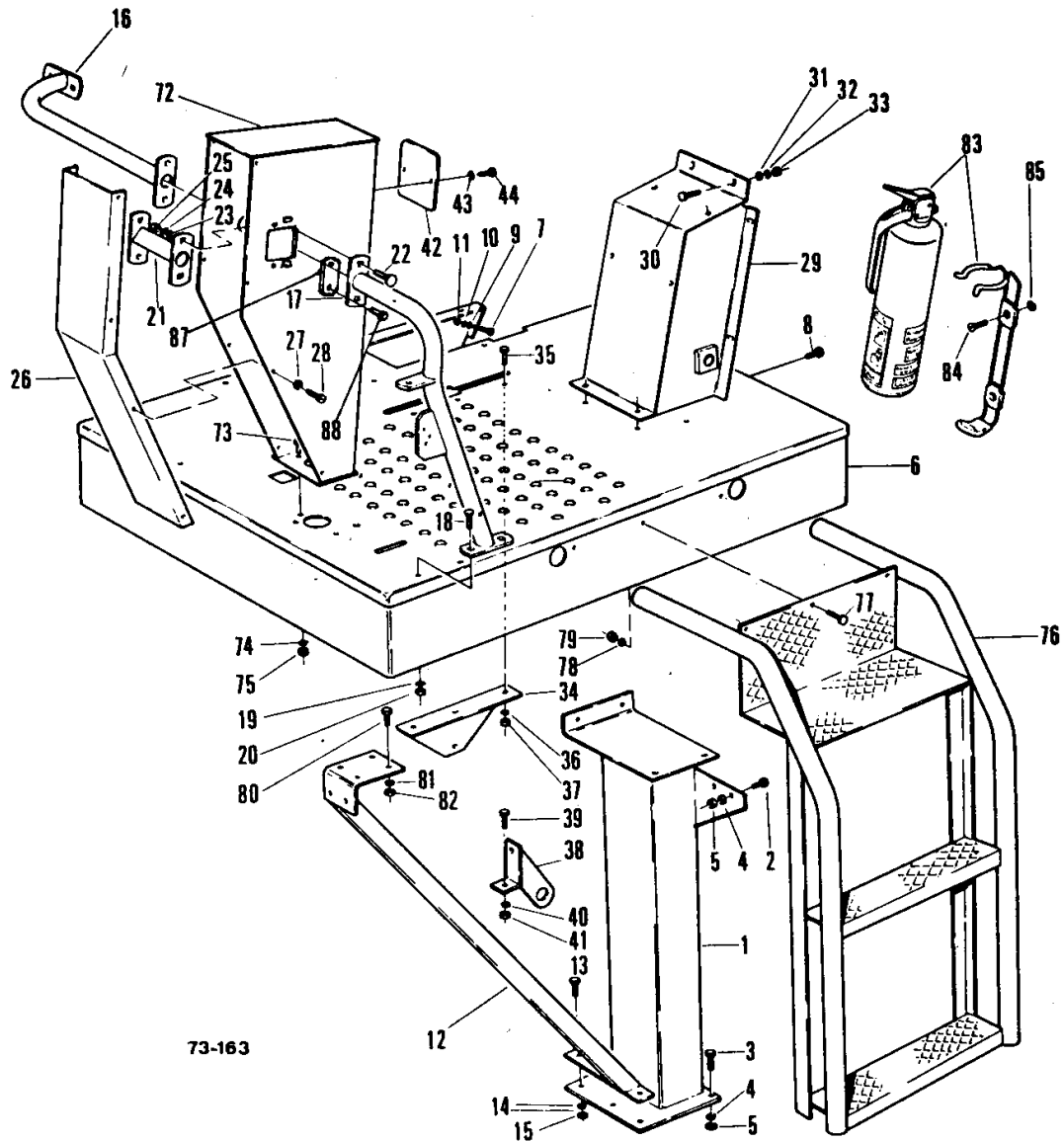
419195

**MASTER CYLINDER - 418644M1**

187

Item	Part Number	Qty	Description	Comments
1		1		418644M1 Not serviced, order 418644M1
2	1701380M1	1	Valve	
3	1701381M91	1	Spring	
4	1701382M1	1	Seat	
5	1701383M1	1	Seal	
6	1701384M91	1	Piston	
7	1701385M1	1	Washer	
8	1701386M1	1	Seal	
9	1701387M1	1	Washer	
10	1701388M1	1	Ring	
11	1701389M1	1	Cap	
12	1701390M1	1	Rod	
13	1701391M1	1	Plug	
14	1701392M1	1	Elbow	
15	1701393M1	1	Hose	

PLATE FORME DE TRAVAIL  
FAHRERSTAND  
OPERATORS PLATFORM



73-163

OPERATORS PLATFORM

Item	Part Number	Qty	Description	Comments
1	418561M91	1	Bearer	
	917420M91	1	Support	(E)
2	339081X1	7	Screw Metric	
3	339401X1	4	Screw Metric	
4	339376X1	11	Lock Washer	
5	339402X1	11	Nut Metric	
6	418566M93	1	Platform	
7	339124X1	1	Screw Metric	
8	339123X1	1	Screw Metric	
9	391166X1	2	Washer Metric	
10	339374X1	2	Lock Washer	
11	339169X1	2	Nut Metric	
12	418577M91	1	Bearer	
13	339451X1	2	Screw Metric	
14	339376X1	2	Lock Washer	
15	339402X1	2	Nut Metric	
16	418590M91	2	Rail	(C) Right Hand
	1720358M91	1	Ramp	(D) Right Hand
17	418592M91	1	Rail	(C) Left Hand
	621233M92	1	Ramp	(D) Left Hand
18	339170X1	2	Screw	
19	339374X1	2	Lock Washer	
20	339169X1	2	Nut Metric	
21	418600M91	1	Transverse	(C)
	916192M91	1	Transverse	(D)
22	390018X1	4	Bolt	
23	391166X1	4	Washer Metric	
24	339374X1	4	Lock Washer	
25	339169X1	4	Nut Metric	
26	418602M91	1	Cover	
27	339375X1	8	Lock Washer	
	339692X1	8	Washer	
28	390903X1	8	Screw Metric	
29	418604M91	1	Support	
30	390379X1	8	Bolt Metric	
31	391166X1	8	Washer Metric	
32	339374X1	8	Lock Washer	
33	339169X1	8	Nut Metric	
34	419141M91	8	Bearer	
35	390379X1	3	Bolt Metric	
36	339374X1	3	Lock Washer	
37	339169X1	3	Nut Metric	
38	418633M91	1	Support	
39	339081X1	2	Screw Metric	
40	339376X1	2	Lock Washer	
41	339402X1	2	Nut Metric	
42	418658M1	1	Plate	
43	339375X1	2	Lock Washer	
44	339359X1	2	Screw Metric	
72	418596M91	1	Panel	(C)
	1603629M91	1	Panel	(D)
	418943M91	1	Panel	(A)
73	339401X1	2	Screw Metric	
74	339376X1	2	Lock Washer	
75	339402X1	2	Nut Metric	
76	418581M91	1	Ladder	11-28, 13-26
	418586M91	1	Ladder	20-20
	1723527M91	1	Ladder	(B) 11-28, 13-26, 20-20
77	339081X1	3	Screw Metric	
78	339376X1	3	Lock Washer	
79	339402X1	3	Nut Metric	
80	339123X1	4	Screw Metric	
81	339374X1	4	Lock Washer	
82	339169X1	4	Nut Metric	
83	916533M1	1	Extinguisher	

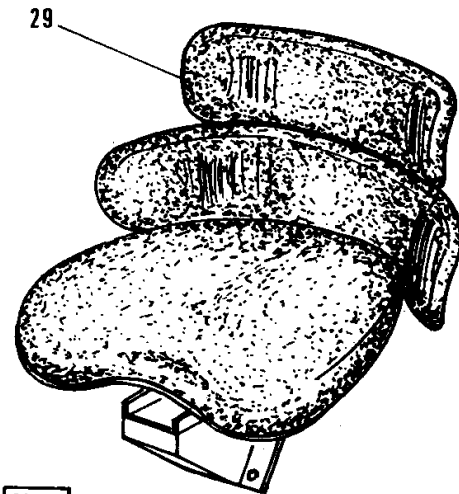
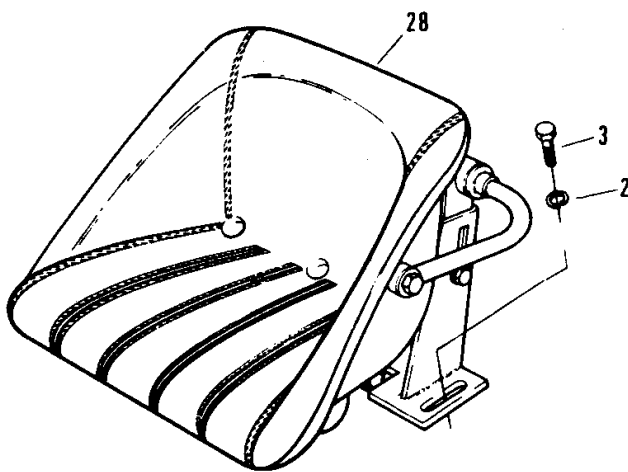
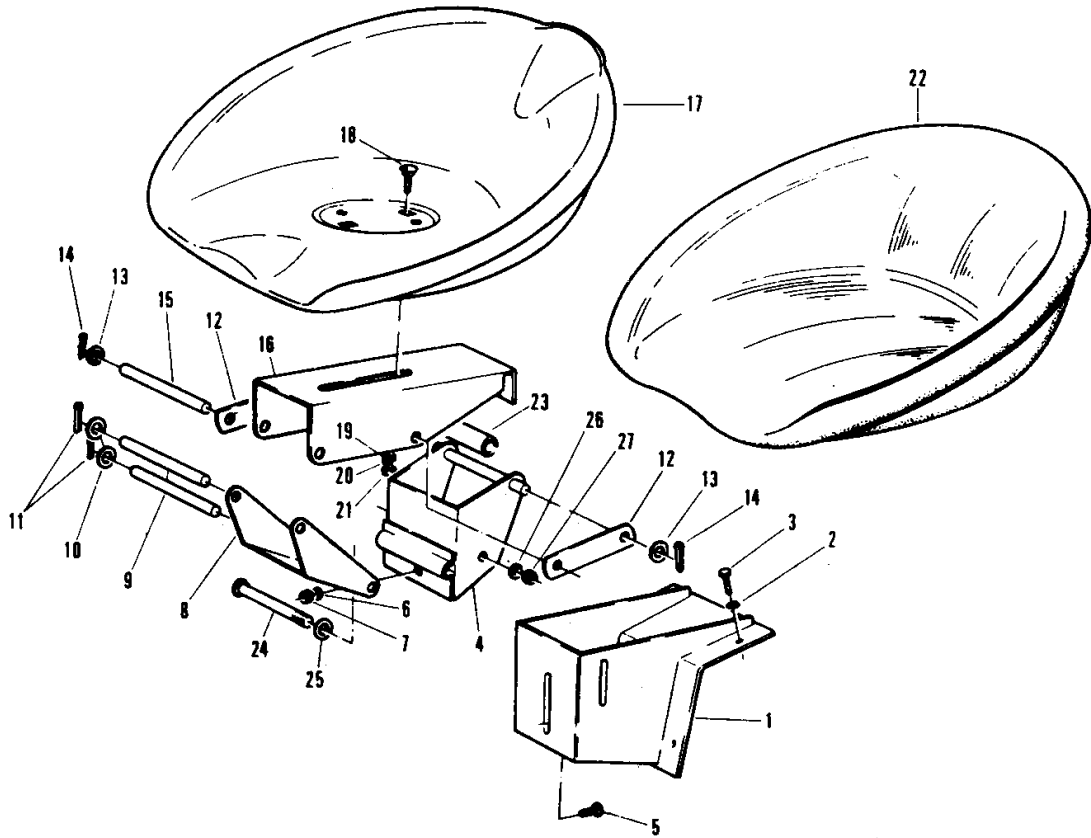
OPERATORS PLATFORM

Item	Part Number	Qty	Description	Comments
84	339150X1	3	Screw Metric	
85	339375X1	3	Lock Washer	
87	621363M2	2	Dust Shield	
88	338320X1	4	Screw	

(A)  
FRANCE  
(B)  
U.K.  
(C)  
Up to Serial or Engine Number C1226506  
(D)  
From Serial or Engine Number C1226707  
(E)  
BAGGER TANKER MACHINES



SIEGE  
FAHRERSITZ  
SEAT



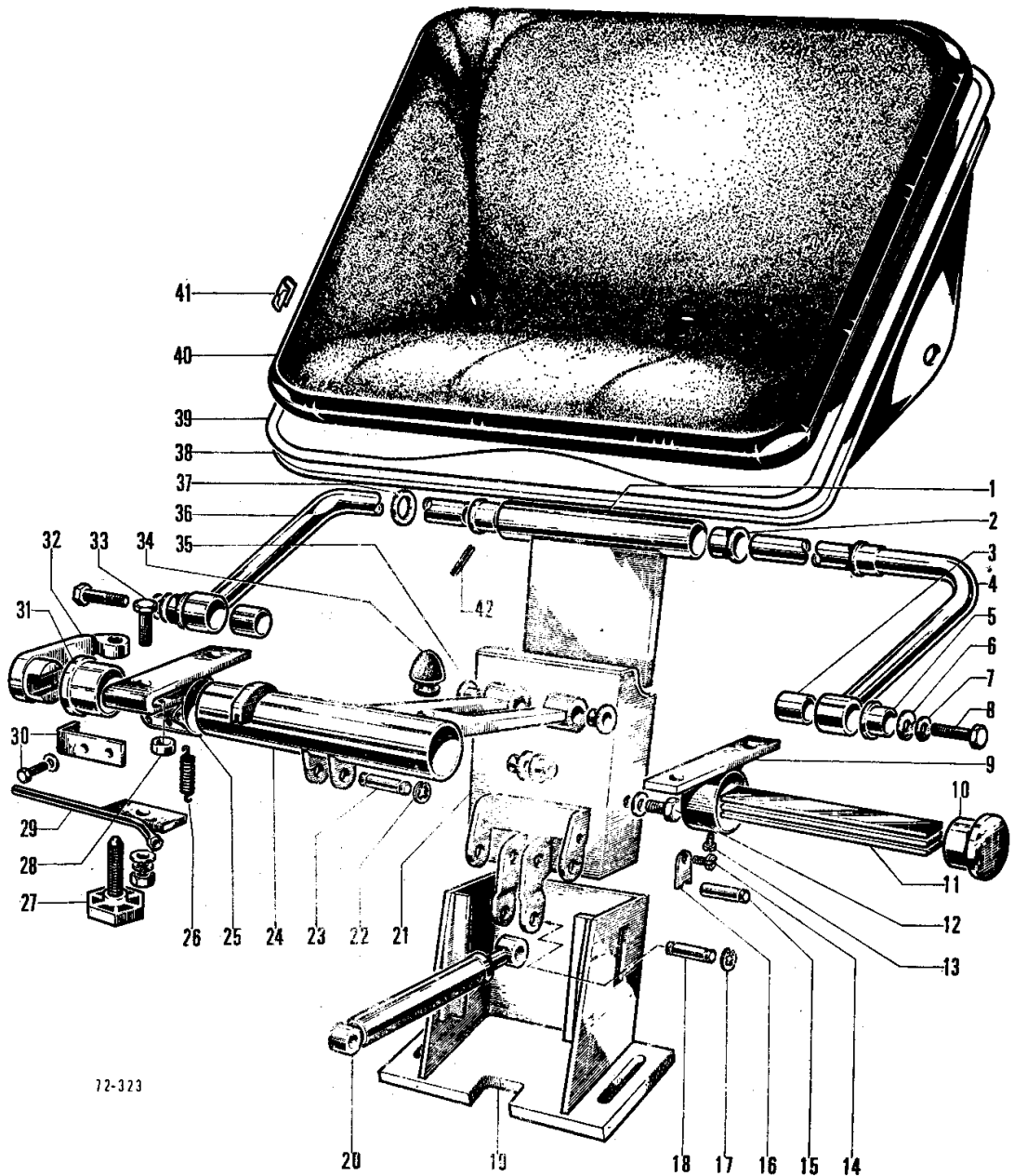
77-168

SEAT

Item	Part Number	Qty	Description	Comments
1	418659M91	1	Bearer	
2	339376X1	6	Lock Washer	
3	339401X1	6	Screw Metric	
4	401950M91	1	Support	
5	339172M91	1	Bolt	
6	391396X1	1	Washer Metric	
7	339402X1	1	Nut Metric	
8	401953M91	1	Lever	
9	339980X1	2	Pin	
10	391381X1	4	Washer Metric	
11	391401X1	4	Pin	
12	401958M1	2	Lever	
13	391381X1	4	Washer Metric	
14	391401X1	4	Pin	
15	339980X1	1	Pin	
16	417628M1	1	Rest	
17	417626M1	1	Seat	
18	390397X1	2	Bolt	
19	391396X1	2	Washer Metric	
20	339376X1	2	Lock Washer	
21	339402X1	2	Nut Metric	
22	417629M1	1	Cushion	
23	405400M1	1	Bush	
24	389981X1	1	Bolt	
25	339794X1	1	Washer Metric	
26	391396X1	3	Washer Metric	
27	339402X1	1	Nut Metric	
28	418608M2	1	Seat	(A) (C)
29	609792M1	1	Seat	(B) (C)

(A)  
SEE PAGE 195  
(B)  
SEE PAGE 196  
(C)  
GERMANY

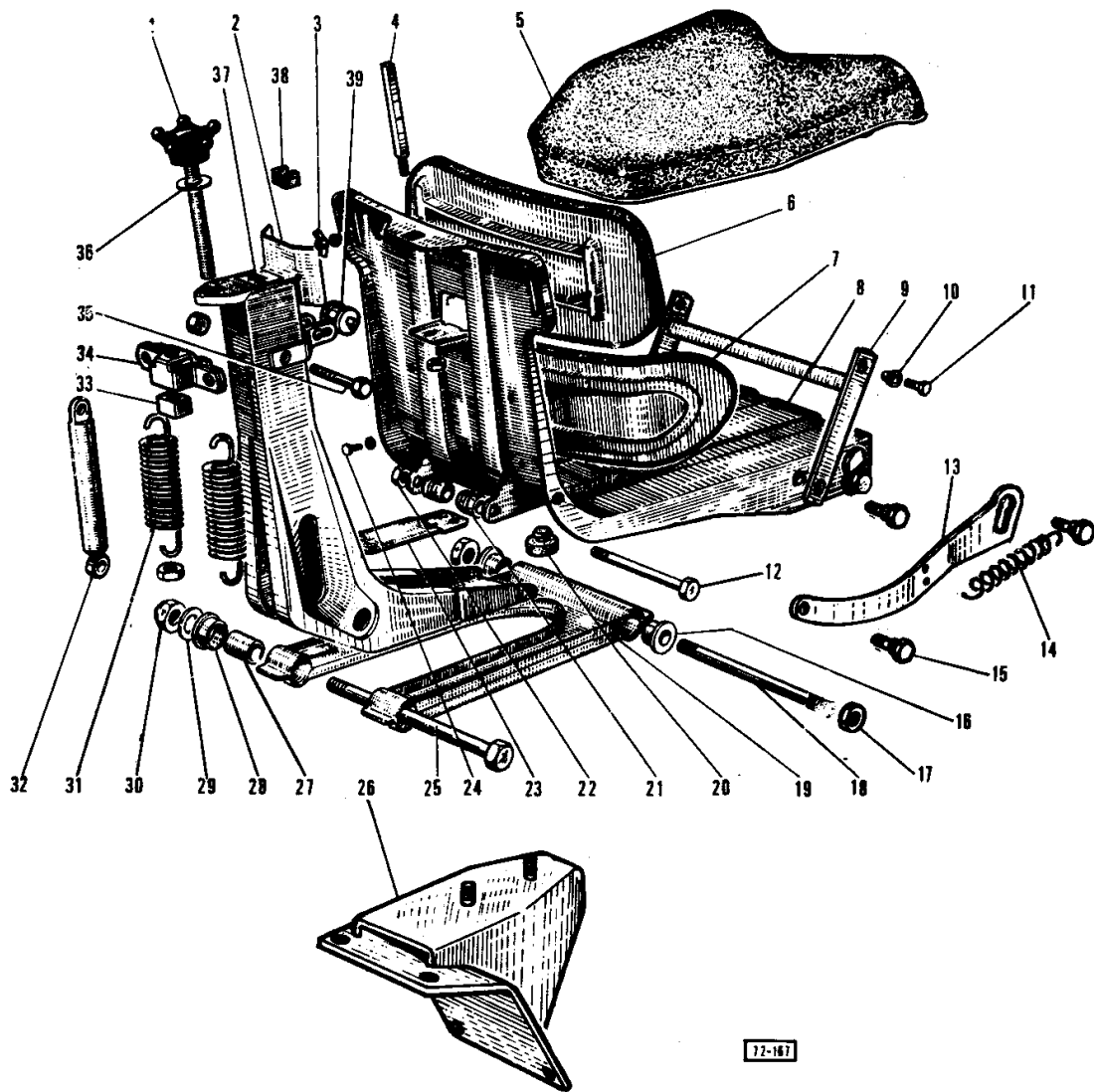
SIEGE }  
 FÄRERSITZ } 418 608 M2  
 SEAT }



SEAT - 418608M2

Item	Part Number	Qty	Description	Comments
				418608M2
1	1701319M1	1	Guide	
2	1701320M1	2	Bush	
3	1701341M1	2	Spacer	
4	1701321M1	1	Pendulum	
5	1701320M1	2	Bush	
6	1701591M1	2	Washer	
7	339424X1	2	Washer	
8	339018X1	2	Bolt Metric	
9	1701335M1	1	Bearing Assy	
10	1701336M1	1	Bush	
11	1701330M1	3	Spring	
12	339081X1	2	Screw Metric	
	390734X1	2	Washer Metric	
13	1441945X1	2	Screw Metric	
14	1441944X1	1	Screw Metric	
15	1701325M1	2	Clevis Pin	
16	1701326M1	2	Cowl	
17	391415X1	2	Circlip	
18	1889627M1	1	Shaft	
19	1701316M1	1	Bearer	
20	1701328M1	1	Shock Absorber	
21	1701317M1	1	Slipper	
22	391415X1	2	Circlip	
23	1889627M1	1	Shaft	
24	1701323M1	1	Pendulum	
25	1701331M1	1	Bearing Assy	
26	1701338M1	1	Spring	
27	1701337M1	1	Screw	
28	390972X1	1	Washer Metric	
29	1701340M1	1	Lever	
30	1701334M1	1	Anglepiece	
	1701589M1	2	Washer	
	391074X1	2	Screw Metric	
31	1701332M1	1	Bush	
32	1701333M1	1	Handle	
33	339401X1	4	Screw Metric	
	339376X1	4	Lock Washer	
	390972X1	1	Washer Metric	
	339169X1	4	Nut Metric	
34	1701327M1	1	Catch	
35	1701324M1	2	Bush	
36	1701322M1	1	Pendulum	
37	339554X1	1	Washer	
38	1701342M1	1	Shell	
39	1701593M1	1	Cushion	
40	1701594M1	1	Cover	
41	1701595M1	28	Clip	
42	339071X1	1	Pin	

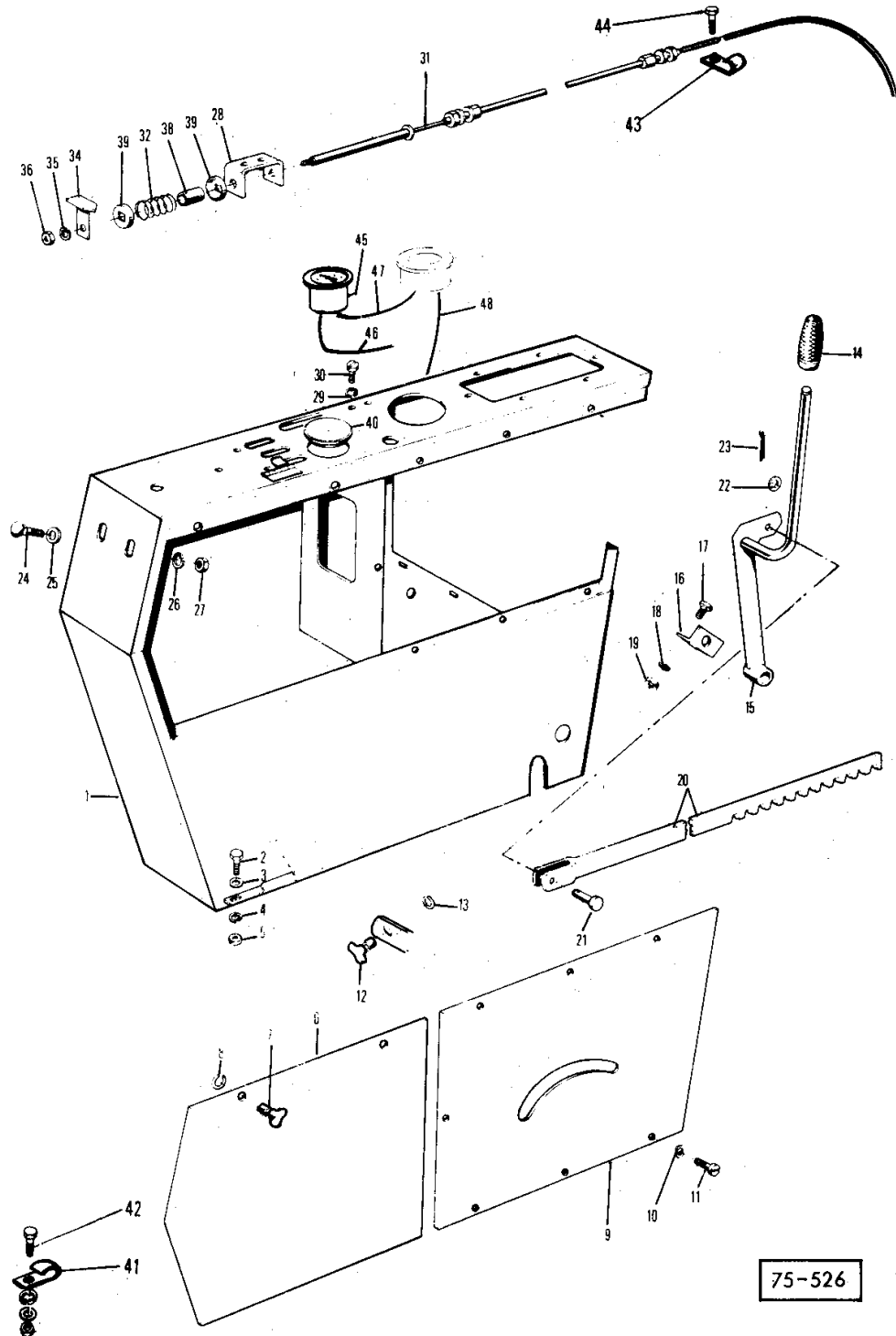
SIEGE  
 FAHRERSITZ  
 SEAT } 609 792 M1



SEAT - 609792M1

Item	Part Number	Qty	Description	Comments
				609792M1
1	1804996M1	1	Knob	
2	1807224M1	1	Pedestal	
3	1804946M1	2	Nut	
	1806697M1	2	Washer	
4	1806705M1	1	Rod	
		1	Nut	
5	1805774M1	1	Seat	
6	1804992M1	1	Back Rest	
7	1804994M1	1	Back Rest	
8	1807222M1	1	Arm	
9	1805767M1	1	Link	
10	1804953M1	2	Spacer	
11	1804952M1	2	Bolt	
12	1804970M1	1	Bolt	
13	1805768M1	1	Arm	Right Hand
	1805769M1	1	Arm	Left Hand
14	1807221M1	1	Spring	
15	1805770M1	6	Screw	
16	1804961M1	2	Bush	
17		2	Nut	
18		1	Threaded Part	
19	1807226M1	1	Arm	
20	1806707M1	1	Bumper	
21	1804960M1	2	Bush	
22		3	Nut	
23	1804957M1	4	Plate	
24	1804966M1	4	Screw	
	1804967M1	4	Washer	
25	1807227M1	1	Bolt	
26	1807228M1	1	Bearer	
27		2	Socket	
28	1804965M1	4	Bush	
29		4	Washer	
30		1	Nut	
31	1804943M1	2	Spring	
32	1806714M1	1	Damper	(A)
	1806728M1	1	Damper	(A)
33	1806713M1	1	Nut	
34	1806712M1	1	Support	
35	1806715M1	1	Bolt	
36	1804991M1	1	Washer	
37	1806698M1	1	Label	
38	1806704M1	1	Shoe	
39	1806703M1	1	Roller	(A) Alternative

BOITE DE CONTROLE  
GERATEKONSOLE  
CONTROL PANEL



75-526

CONTROL PANEL

Item	Part Number	Qty	Description	Comments
1	418044M91	1	Panel	(C)
	621151M96	1	Panel	(D)
2	339124X1	13	Screw Metric	
3	339024X1	13	Washer Metric	
4	339374X1	13	Lock Washer	
5	339169X1	14	Nut Metric	
6	418062M91	1	Cover	
7	418065M1	2	Fastener	
8	786051M2	2	Cup	
9	1724332M91	1	Cover	
10	339375X1	7	Lock Washer	
11	339359X1	7	Screw Metric	
12	418065M1	1	Fastener	
13	1441241X1	1	Segment	
14	403262M1	1	Handle	
15	418075M92	1	Lever	
16	418078M1	1	Anglepiece	
17	339124X1	2	Screw Metric	
18	339374X1	2	Lock Washer	
19	339169X1	2	Nut Metric	
20	418080M91	1	Stem	(A)
	418794M91	1	Rack	(B)
21	339791X1	1	Pin	
22	339534X1	1	Washer Metric	
23	391401X1	1	Pin	
24	339170X1	2	Screw	
25	339024X1	2	Washer Metric	
26	339374X1	2	Lock Washer	
27	339169X1	2	Nut Metric	
28	418082M91	1	Bracket	
29	339375X1	2	Lock Washer	
30	390903X1	2	Screw Metric	
31	1721655M1	1	Cable	
32	1706055M1	1	Spring	
34	1721993M91	1	Pointer	
35	339375X1	1	Lock Washer	
36	339030X1	1	Nut Metric	
38	1721996M1	1	Tube	
39	1721997M1	2	Washer	
40	1722255M1	1	Plug	(C)
	655670M91	1	Plate	(D)
41	327131M1	1	Bridle	
42	339124X1	1	Screw Metric	
	391166X1	1	Washer Metric	
	339374X1	1	Lock Washer	
	339169X1	1	Nut Metric	
43	401864X1	1	Clip	
44	339124X1	1	Screw Metric	
	339374X1	1	Lock Washer	
	339169X1	1	Nut Metric	
45	1723961M1	1	Meter	(C)
	621953M1	1	Meter	(D)
46	1722486M1	1	Cable	(C)
	621070M1	1	Cable	(D)
47	1722485M1	1	Cable	(C)
	621071M1	1	Wire	(D)
48	911842M1	1	Cable	(A)

Up to Serial or Engine Number 1266

(B)  
From Serial or Engine Number 1267

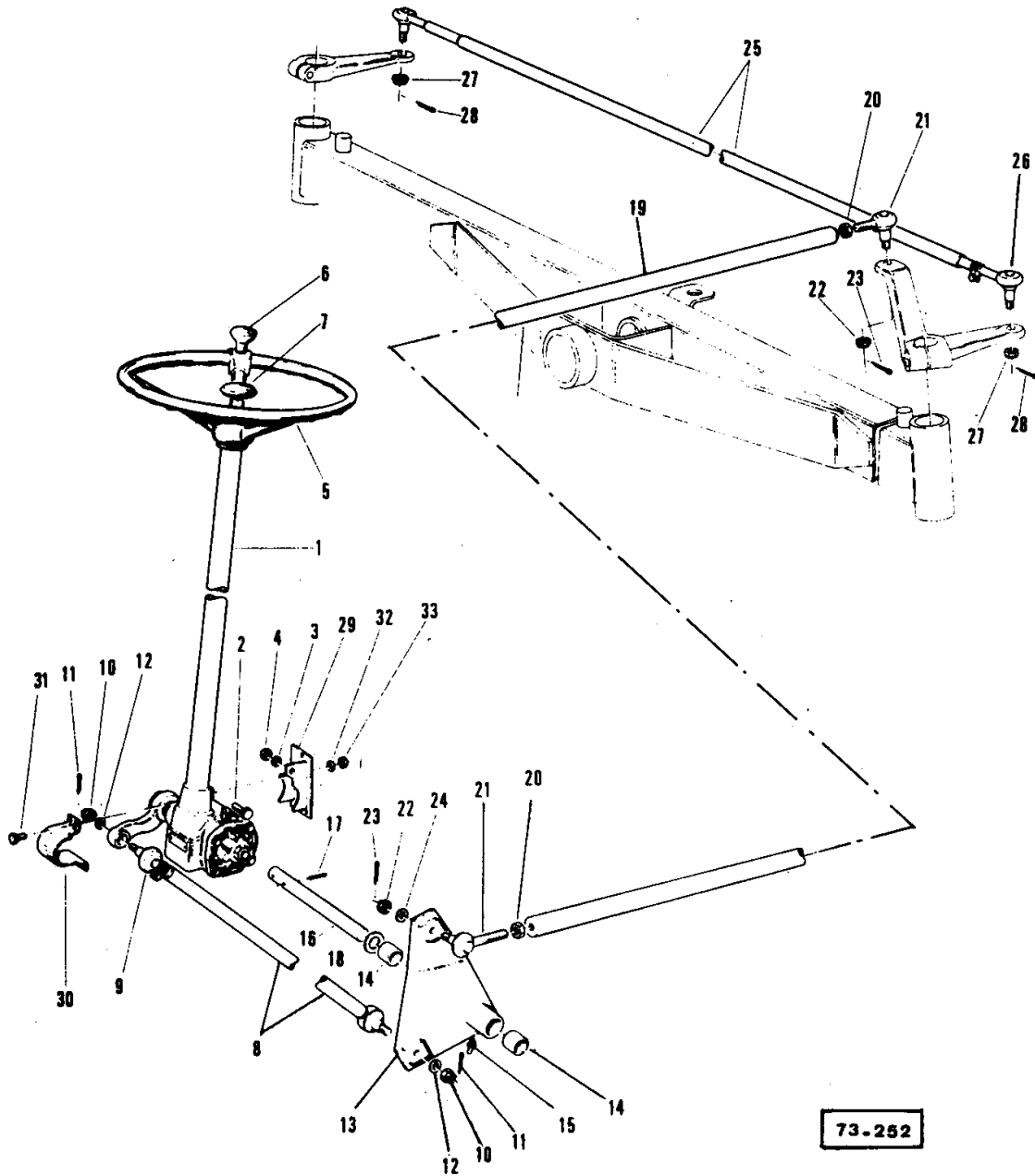
(C)  
Up to Serial or Engine Number C1226506

(D)  
From Serial or Engine Number C1226507



200

DIRECTION  
LENKUNG  
STEERING

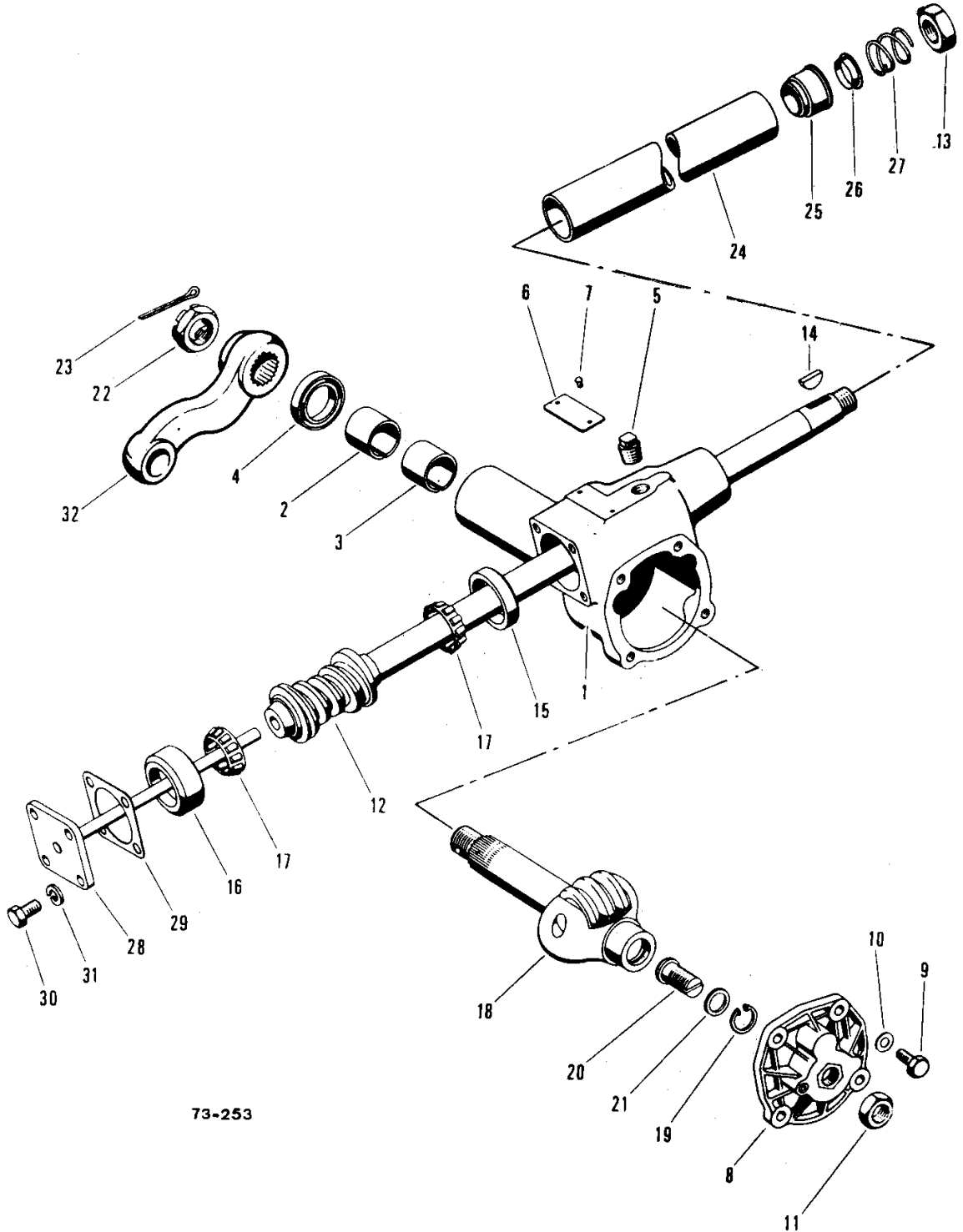


STEERING

Item	Part Number	Qty	Description	Comments
1	417942M1	1	Gear	(A)
2	339814X1	1	Screw Metric	
3	339376X1	1	Lock Washer	
4	339402X1	1	Nut Metric	
5	417943M1	1	Wheel	
6	417944M1	1	Handle	
7	415918M1	1	Cap	
8	419088M1	1	Rod	
9	1440831X1	1	Toggle	
10	1441061X1	2	Nut Metric	
11	390447X1	2	Pin	
12	339763X1	2	Washer	
13	417946M91	1	Lever	
14	417950M1	2	Bush	
15	339033X1	1	Nipple	
16	417951M1	1	Axle	
17	339055X1	1	Pin	
18	339528X1	1	Washer	
19	417952M91	1	Rod	
	417953M91	1	Rod	
20	339617X1	2	Nut Metric	
21	1440831X1	2	Toggle	
22	1441061X1	2	Nut Metric	
23	390447X1	2	Pin	
24	339763X1	1	Washer	
25	419089M1	1	Rod	
26	1440831X1	1	Toggle	
27	1441061X1	2	Nut Metric	
28	390447X1	2	Pin	
29	418609M91	1	Bracket	
30	418613M1	1	Clip	
31	339337X1	4	Screw Metric	
	339123X1	1	Screw Metric	
32	330374X1	4	Washer	
33	339169X1	4	Nut Metric	

(A)  
SEE PAGE 203

BOITIER DE DIRECTION }  
 LENKGETRIEBE } 417 942 M1  
 STEERING BOX }

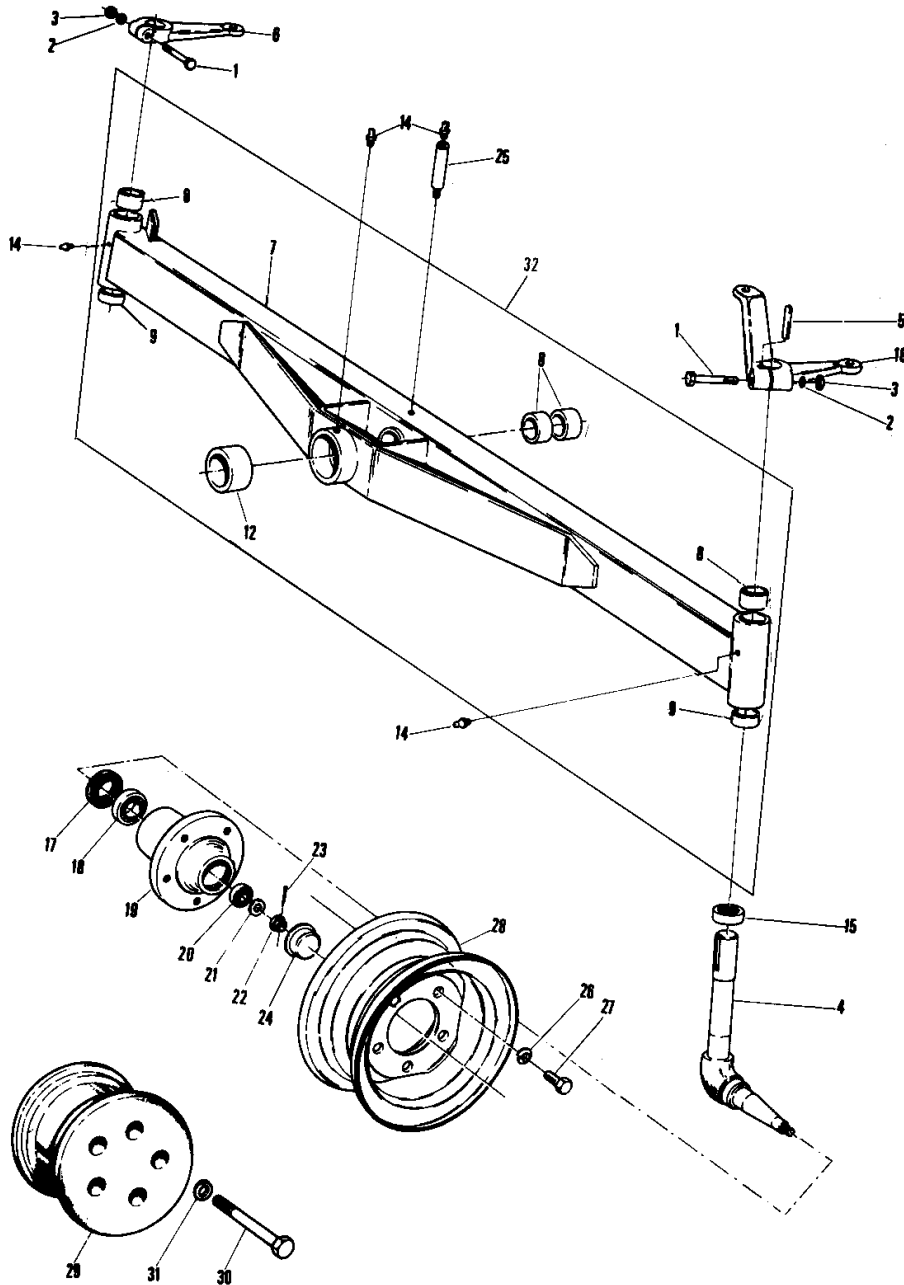


73-253

STEERING BOX - 417942M1

Item	Part Number	Qty	Description	Comments
				417942M1
1	1701464M91	1	Housing	
2	1700417M1	1	Bush	
3	1700418M1	1	Bush	
4	1700419M1	1	Seal	
5	1700433M1	1	Plug	
6	1700903M1	1	Plate	
7	339603X1	2	Pin	
8	1700411M1	1	Cover	
9	1700436M1	4	Bolt	
10	1700437M1	4	Washer	
11	339571X1	1	Nut Metric	
12	1701465M91	1	Spindle	
13	339592X1	1	Nut Metric	
14	390899X1	1	Key Door	
15	1700421M1	1	Race	
16	1700430M1	1	Race	
17	1700422M1	2	Bearing	
18	1701469M91	1	Shaft	
19	1700439M1	1	Circlip	
20	1700432M1	1	Bolt	
21	1700431M1	X	Shim	2,1 MM
	1700510M1	X	Washer	2,15 MM
	1701511M1	X	Shim	2,2 MM
	1701512M1	X	Shim	2,25 MM
	1701513M1	X	Shim	2,3 MM
	1701514M1	X	Washer	2,35 MM
	1701515M1	X	Shim	2,4 MM
	1701516M1	X	Shim	2,45 MM
	1701517M1	X	Shim	2,5 MM
22	1700435M1	1	Nut	
23	391406X1	1	Pin	
24	1701467M91	1	Tube	
25	1700423M1	1	Sleeve	
26	1700424M1	1	Ring	
27	1700424M1	1	Ring	
28	1700415M1	1	Flange	
29	1700426M1	1	Gasket	0,1 MM
	1700427M1	X	Gasket	0,12 MM
	1700428M1	X	Gasket	0,15 MM
	1700429M1	X	Gasket	0,3 MM
30	1700438M1	4	Bolt	
31	1440313X1	4	Washer	
32	1701468M1	1	Arm	

PONT ARRIERE  
HINTERACHSE  
REAR AXLE

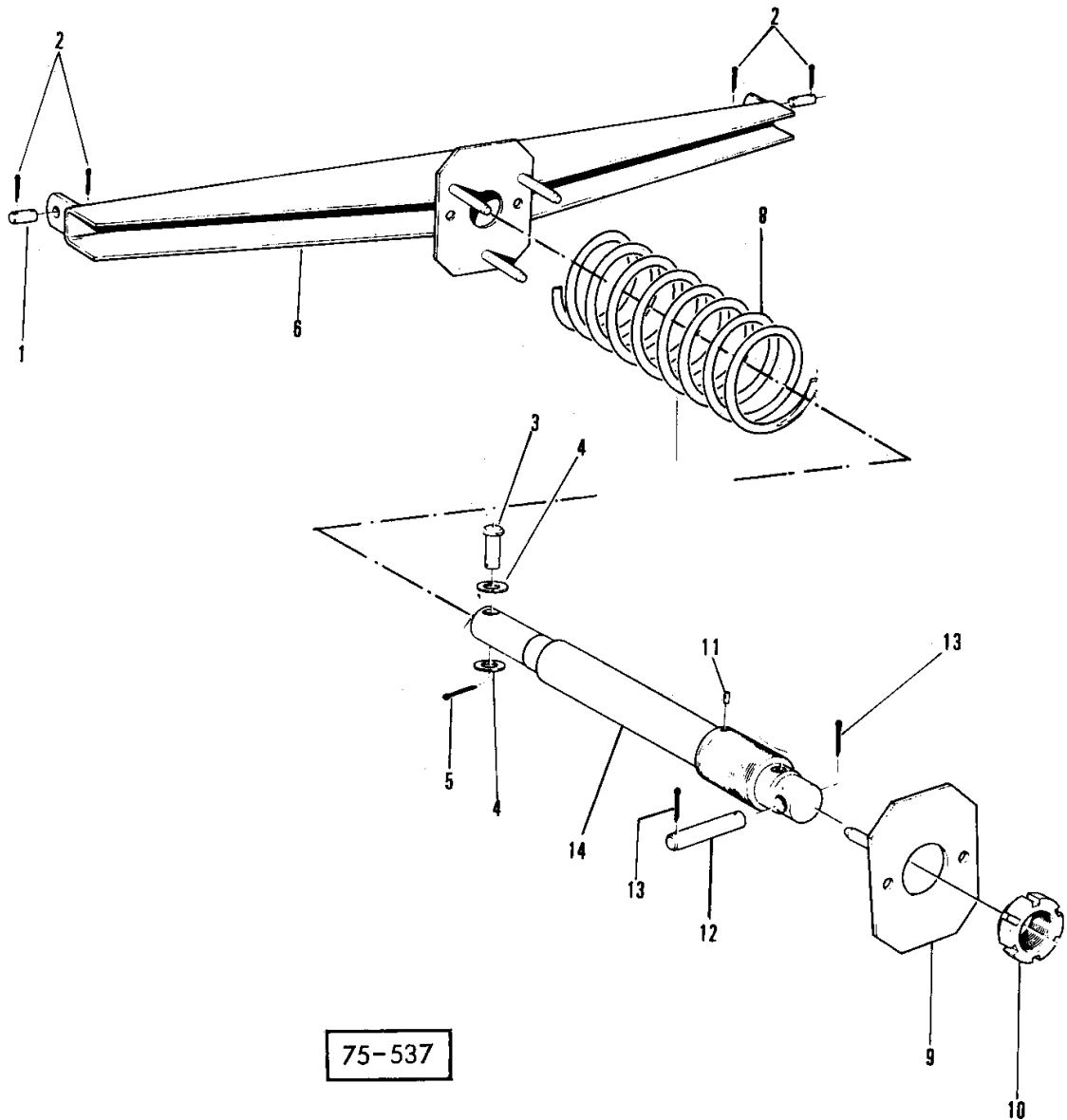


75-527

REAR AXLE

Item	Part Number	Qty	Description	Comments
1	390690X1	2	Bolt Metric	
2	339369X1	2	Lock Washer	
3	339054X1	2	Nut Metric	
4	418140M91	2	Spindle	
5	390691X1	2	Key Door	
6	416901M1	1	Lever	
7	417527M91	1	Axle	
8	418144M1	4	Bush	
9	418145M1	2	Bush	
12	418150M1	1	Bush	
14	339003X1	4	Greaser	
15	417529M1	2	Bearing	
16	418152M1	1	Lever	
17	391346X1	2	Seal	
18	658110M1	2	Race	
	834136M1	2	Cup	
19	416438M1	2	Hub	
20	831055M1	2	Cone	
	831054M1	2	Cup	
21	339027X1	2	Washer Metric	
22	390763X1	2	Nut	
23	390448X1	2	Pin	
24	416121M1	2	Cap	
25	419028M1	1	Bush	
26	339587X1	10	Washer	
27	339631X1	10	Screw	
28	404839M1	2	Wheel	7 X 12
	412340M1	2	Rim	4,25 X 12
29	419435M1	2	Rim	
30	1441335X1	10	Bolt Metric	
31	339587X1	10	Washer	
32	417526M91	1	Axle	

RELEVAGE DE TABLE  
TISCHAUSHEBUNG  
TABLE LIFT



75-537

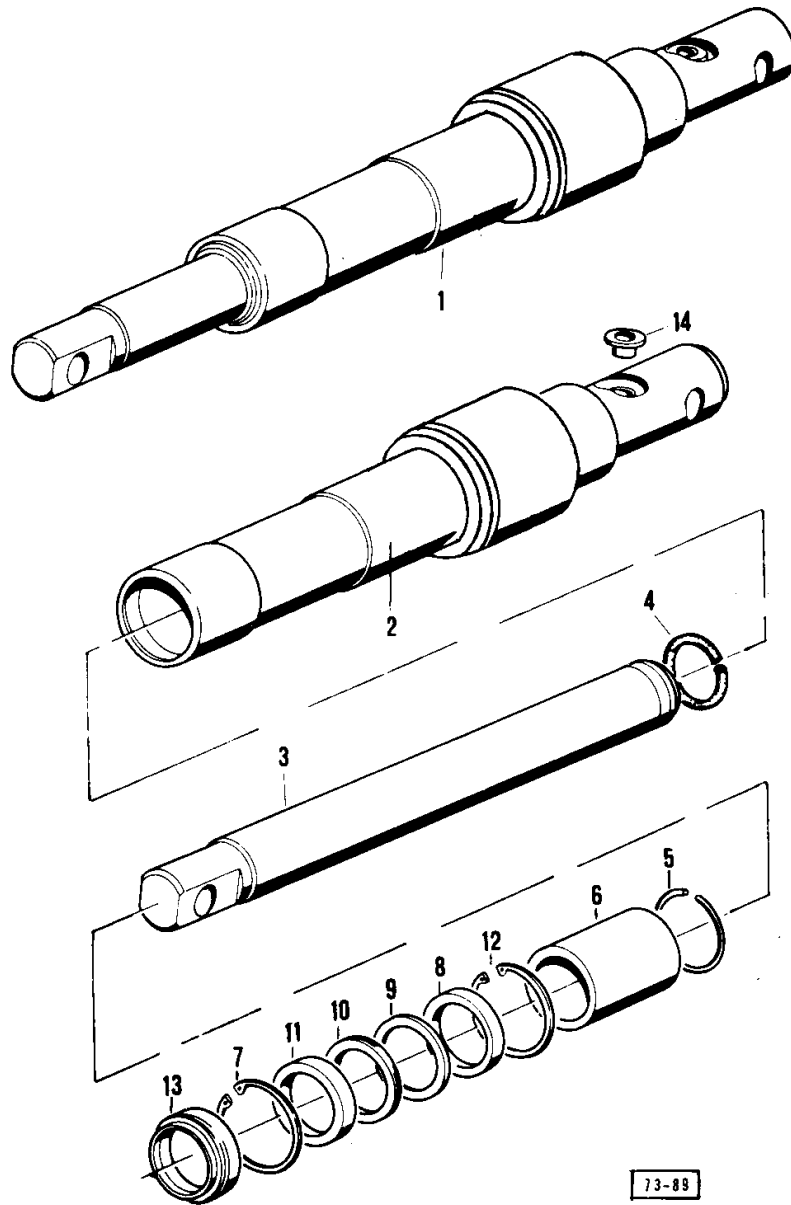
TABLE LIFT

Item	Part Number	Qty	Description	Comments
1	412483M1	2	Bolt	
2	339133X1	4	Pin	
3	339955X1	1	Pin	
4	391393X1	2	Washer Metric	
5	339038X1	1	Pin	
6	418816M91	1	Transverse	(A)
	419408M1	1	Transverse	(B)
8	1706048M1	1	Spring	(A)
	1706054M1	1	Spring	(B)
9	418970M91	1	Guide	
10	418973M1	1	Nut	
11	339798X1	1	Pin	
12	1441286X1	1	Pin	
13	339038X1	1	Pin	
14	1748013M94	1	Ram	(C)
				(A)
				8'
				(B)
				10'
				(C)

SEE PAGE 208



VERIN RELEVAGE DE TABLE }  
HYDRAULIKZYLINDER (TISCHAUSHEBUNG) } 1 748 013 M94  
RAM (TABLE LIFT)



**MASSEY FERGUSON**  
**MF 187 COMBINE - 419195**

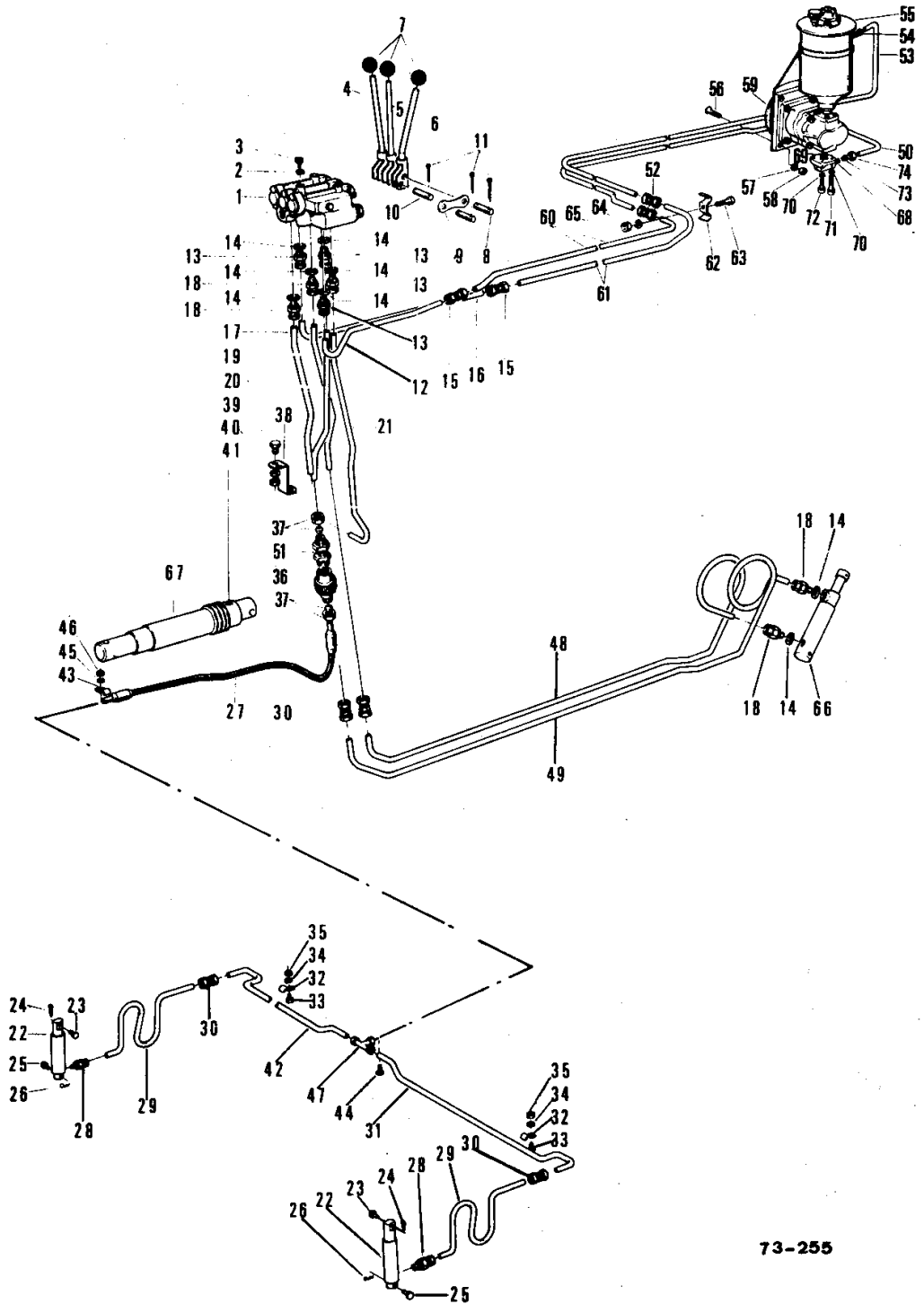
419195

208

**RAM FOR TABLE LIFT - 1748013M94**

Item	Part Number	Qty	Description	Comments
				1748013M94
1	1748013M94	1	Ram	
2		1		Not serviced, order 1
3		1		Not serviced, order 1
4		2		Not serviced, order 1
5		1		Not serviced, order 1
6	1748106M1	1	Bush	
7	1441825X1	1	Circlip	
8	1441843X1	1	Bush	
9	1748019M1	1	Ring	
10	1748020M1	1	Ring	
11	1748021M1	1	Ring	
12	1441775X1	1	Ring	
13	1441848X1	1	Ring	
14	1748043M1	1	Plug	

EQUIPEMENT HYDRAULIQUE  
 HYDRAULIKANLAGE  
 HYDRAULIC EQUIPEMENT



73-255

HYDRAULIC EQUIPMENT

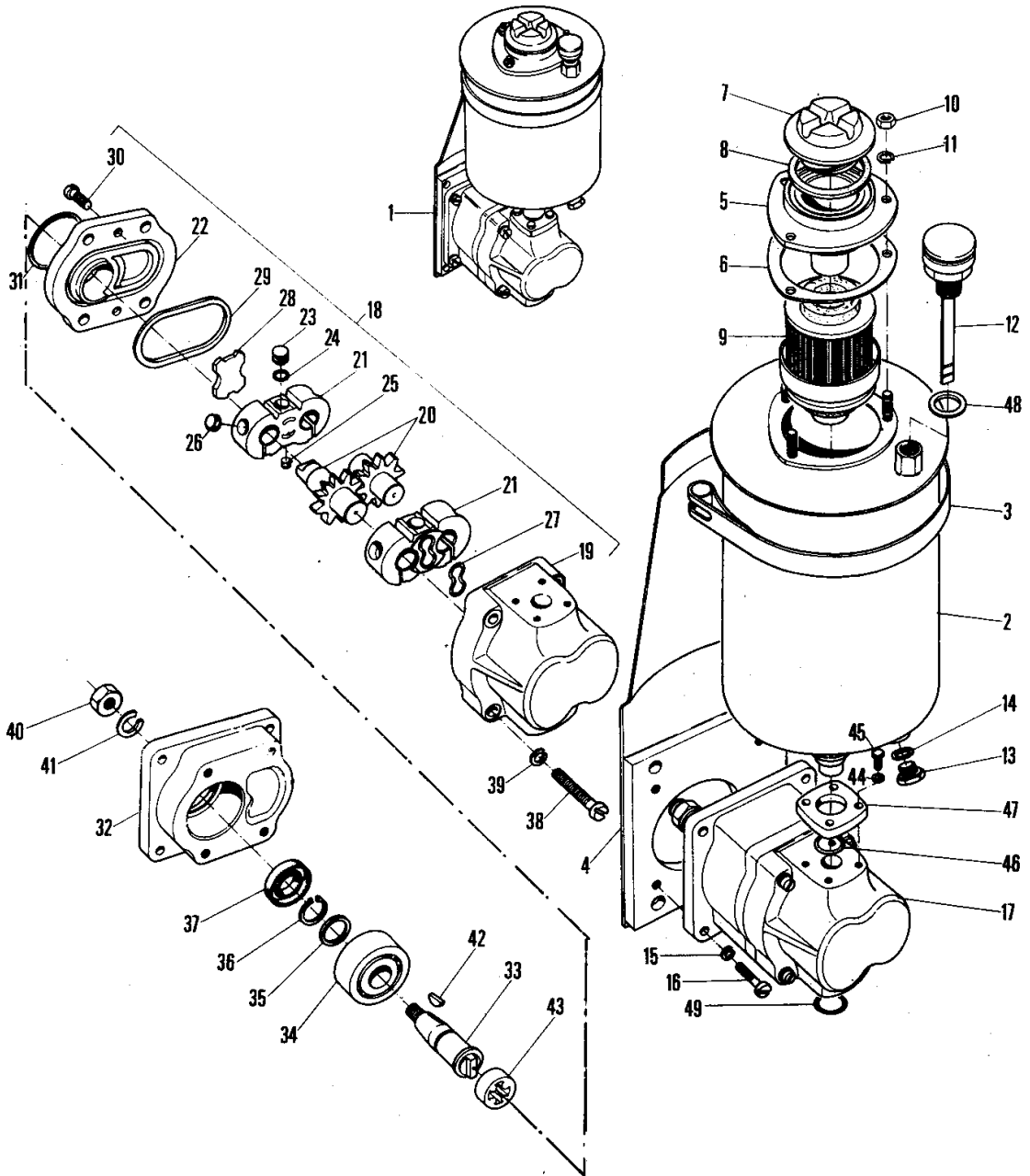
Item	Part Number	Qty	Description	Comments
1	418087M2	1	Distributor Head	(L)
2	339374X1	3	Lock Washer	
3	391218X1	3	Screw	
4	418088M91	1	Lever	
5	418091M91	1	Lever	
6	418093M91	1	Lever	
7	418095M1	3	Knob	
8	1440908X1	6	Pin	
9	329045M1	6	Plate	
10	1440907X1	3	Pin	
11	390511X1	18	Pin	
12	418098M1	1	Pipe	
13	621549M1	4	Union	
14	339526X1	8	Seal	
15	390063X1	2	Union	
16	418099M1	1	Pipe	
17	418100M1	1	Pipe	
18	1723007M91	4	Union	
19	418102M1	1	Pipe	
20	418103M1	1	Pipe	(G)
	1722319M1	1	Tube	(H)
21	418104M1	1	Pipe	
22	1748022M93	2	Ram	(J)
23	390070X1	2	Bolt	(E)
	390657X1	2	Pin	(F)
24	391405X1	2	Pin	
25	1441329X1	2	Clevis Pin	
26	327669M1	2	Pin	
27	1603119M91	1	Hydr Hose	
28	339716X1	2	Union	
	338762X1	2	Seal	
29	1603121M91	2	Hose	
30	415089M1	4	Union	
31	1603125M91	1	Tube	(A)
	1603127M91	1	Tube	(B)
32	950218M1	4	Clip	
33	339123X1	3	Screw Metric	
34	390972X1	3	Washer Metric	
35	339169X1	3	Nut Metric	
36	1441954X1	1	Coupler	(A)
	390063X1	1	Union	(B)
37	339995X1	2	Union	
	339994X1	2	Olive	
38	418216M1	1	Bracket	(G)
	1722318M1	1	Bracket	(H)
39	339124X1	2	Screw Metric	
40	339374X1	2	Lock Washer	
41	339169X1	1	Nut Metric	
42	1603122M91	1	Tube	(A)
	1603124M91	1	Tube	(B)
43	415092M1	1	Tie	
44	339666X1	1	Screw Metric	
45	339375X1	1	Lock Washer	
46	339030X1	1	Nut Metric	
47	619865M1	1	Union	
48	418476M1	1	Pipe	
49	418477M1	1	Pipe	
50	418236M1	1	Pipe	(C)
	418916M1	1	Pipe	(D)
51	1441954X1	1	Coupler	
52	390063X1	2	Union	
53	418239M1	1	Pipe	(C)
	418915M1	1	Pipe	(D)
54	621549M1	1	Union	
55	417733M1	1	Pump	(K) (C)
	417737M1	1	Pump	(K) (D)
56	391115X1	4	Bolt	
57	339376X1	4	Lock Washer	
58	339402X1	4	Nut Metric	
59	417734M1	1	Pulley	(C)

HYDRAULIC EQUIPMENT

Item	Part Number	Qty	Description	Comments
	418899M1	1	Pulley	(D)
60	418258M1	1	Pipe	(C)
	418918M1	1	Pipe	(D)
61	418259M1	1	Pipe	(C)
	418917M1	1	Pipe	(D)
62	418260M1	1	Clip	(C)
	418919M1	1	Bridle	(D)
63	339560X1	1	Screw Metric	(C)
	390379X1	1	Bolt Metric	(D)
64	339375X1	1	Lock Washer	(C)
	339374X1	1	Lock Washer	(D)
65	339030X1	1	Nut Metric	(C)
	339169X1	1	Nut Metric	(D)
66	1748000M93	1	Ram	(I)
67	1748013M94	1	Ram	(M)
68	417732M1	1	Connection	
69	1717475M1	1	Ring	
70	339375X1	4	Lock Washer	
71	1442018X1	2	Screw Metric	
72	390989X1	2	Screw Metric	
73	1717816M1	1	Olive	
74	1717817M1	1	Nut	

(A)  
10'  
(B)  
8'  
(C)  
Up to Serial or Engine Number 1266  
(D)  
From Serial or Engine Number 1267  
(E)  
Up to Serial or Engine Number 2876  
(F)  
From Serial or Engine Number 2877  
(G)  
Up to Serial or Engine Number 2906  
(H)  
From Serial or Engine Number 2907  
(I)  
SEE PAGE 219  
(J)  
SEE PAGE 220  
(K)  
SEE PAGE 215  
(L)  
SEE PAGE 216  
(M)  
SEE PAGE 208

POMPE HYDRAULIQUE -RESERVOIR D'HUILE } 417 733 M1  
 HYDRAULIKPUMPE - ÖLBEHALTER } 417 737 M1  
 HYDRAULIC PUMP - OIL CONTAINER



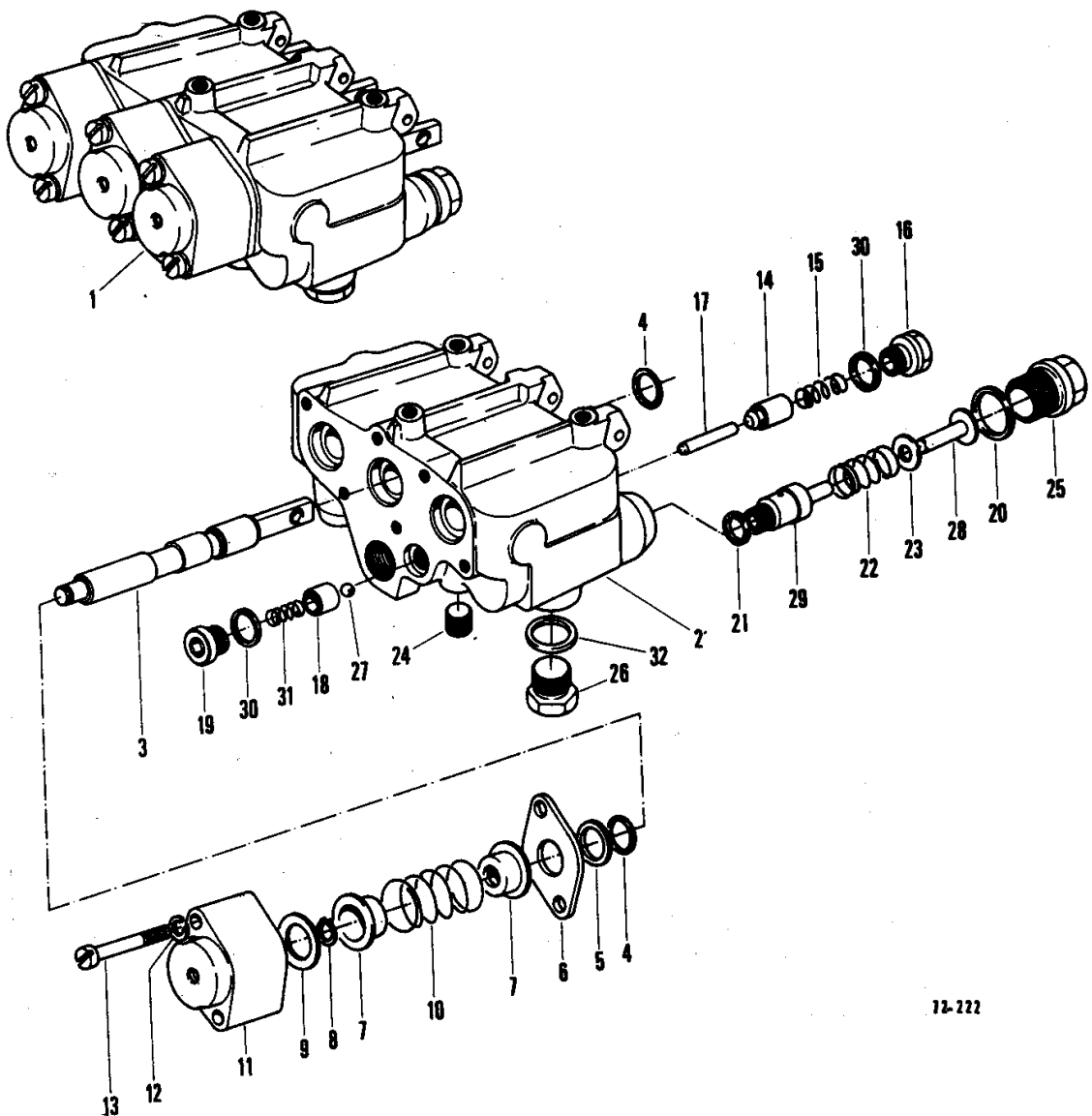
73-256

HYDRAULIC PUMP - OIL CONTAINER - 417733M1, 417737M1

Item	Part Number	Qty	Description	Comments
				417733M1, 417737M1
1	417733M1	1	Pump	(A, C)
	417737M1	1	Pump	(B, D)
2	1717422M1	1	Reservoir	
3	1717423M1	1	Clamp	
4	1717424M1	1	Plate	
5	1717425M91	1	Cover	
6	1717426M1	1	Gasket	
7	1717427M1	1	Plug	
8	1717428M1	1	Ring	
9	1717429M1	1	Element	
10	339030X1	3	Nut Metric	
11	339375X1	3	Lock Washer	
12	1717421M1	1	Filter	
13	1441060X1	1	Plug	
14	1440993X1	1	Seal	
15	339374X1	4	Lock Washer	
16	391485X1	4	Screw	
17	1717430M91	1	Pump	(C)
	1717431M91	1	Pump	(B)
18	1717432M91	1	Body	(C)
	1717433M91	1	Body	(B)
19		1		Not serviced, order 18
20		1		Not serviced, order 18
21		1		Not serviced, order 18
22	1717434M1	1	Cover	
23	1806930M1	2	Plug	
24	1717436M1	2	Ring	
25	1717437M1	2	Plug	
26	1806933M1	4	Plug	
27	1717439M1	2	Gasket	
28	1717440M1	1	Spacer	
29	1717441M1	1	Ring	
30	391308X1	2	Screw Metric	
31	1717442M1	1	Gasket	
32	1717443M1	1	Cover	
33	1717444M1	1	Shaft	
34	1441768X1	1	Bearing	
35	1717445M1	1	Washer	
36	1440475X1	1	Circlip	
37	1717446M1	1	Ring	
38	339505X1	4	Screw Metric	
39	339374X1	4	Lock Washer	
40	339571X1	1	Nut Metric	
41	339380X1	1	Washer	
42	1440360X1	1	Key Door	
43	1806934M1	1	Coupler	
44	339375X1	4	Lock Washer	
45	339666X1	4	Screw Metric	
46	1717371M1	1	Ring	
47	1717447M1	1	Flange	
48	1700551M1	1	Ring	
49	1717475M1	1	Ring	

(A)  
Up to Serial or Engine Number 1266  
(B)  
From Serial or Engine Number 1267  
(C)  
417 733 M1  
(D)  
417737M1

DISTRIBUTEUR }  
 STEUERGERAT } 413 037 M2  
 CONTROL VALVE }

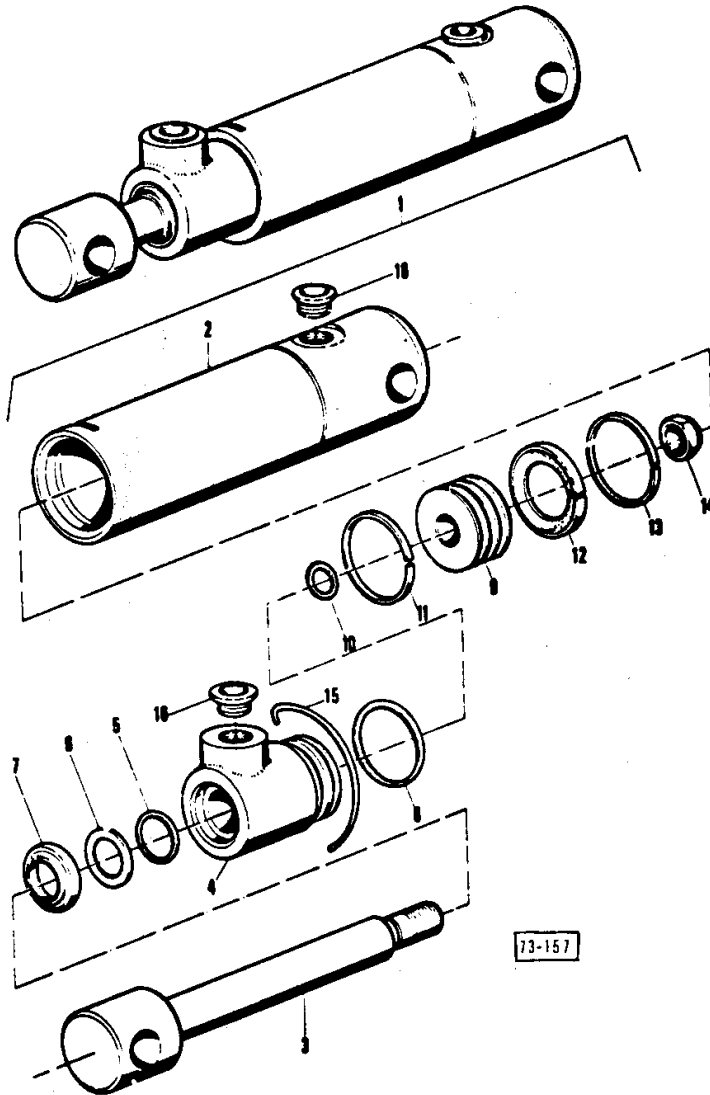


12-222



Item	Part Number	Qty	Description	Comments
				418087M2
1	418087M2	1	Distributor Head	
2		1		Not serviced, order 1
3		3		Not serviced, order 1
4	1638420M1	6	Ring	
5	1717449M1	3	Washer	
6	1717450M1	3	Plate	
7	1717451M1	6	Spring Pot	
8	339422X1	3	Circlip	
9	1717452M1	X	Shim	
10	1717453M1	3	Spring	
11	1717454M1	3	Cover	
12	339375X1	6	Lock Washer	
13	1441770X1	6	Screw Metric	
14	1717455M1	1	Cone	
15	1717456M1	1	Spring	
16	1717457M1	1	Plug	
17	1717458M1	1	Clevis Pin	
18	1717459M1	1	Bush	
19	1441772X1	1	Plug	
20	391358X1	1	Washer	
21	391312X1	1	Gasket	
22	1700353M2	1	Spring	
23	1717460M1	X	Washer	0,25 MM
	1717461M1	X	Washer	0,5 MM
	1717462M1	X	Washer	2,5 MM
24	1441773X1	1	Plug	
25	1717463M1	1	Plug	
26	390247X1	1	Plug	
27	1717060M1	1	Ball	
28	1717464M1	1	Pin	
29	1717465M1	1	Valve	
30	1440997X1	2	Ring	
31	1717466M1	1	Spring	
32	1441766X1	1	Ring	

VERIN (VARIATEUR D'AVANCEMENT)  
HYDRAULIKZYLINDER (FAHRVESTELLTRIEB) } 1748 000 M93  
RAM (TRACTION)

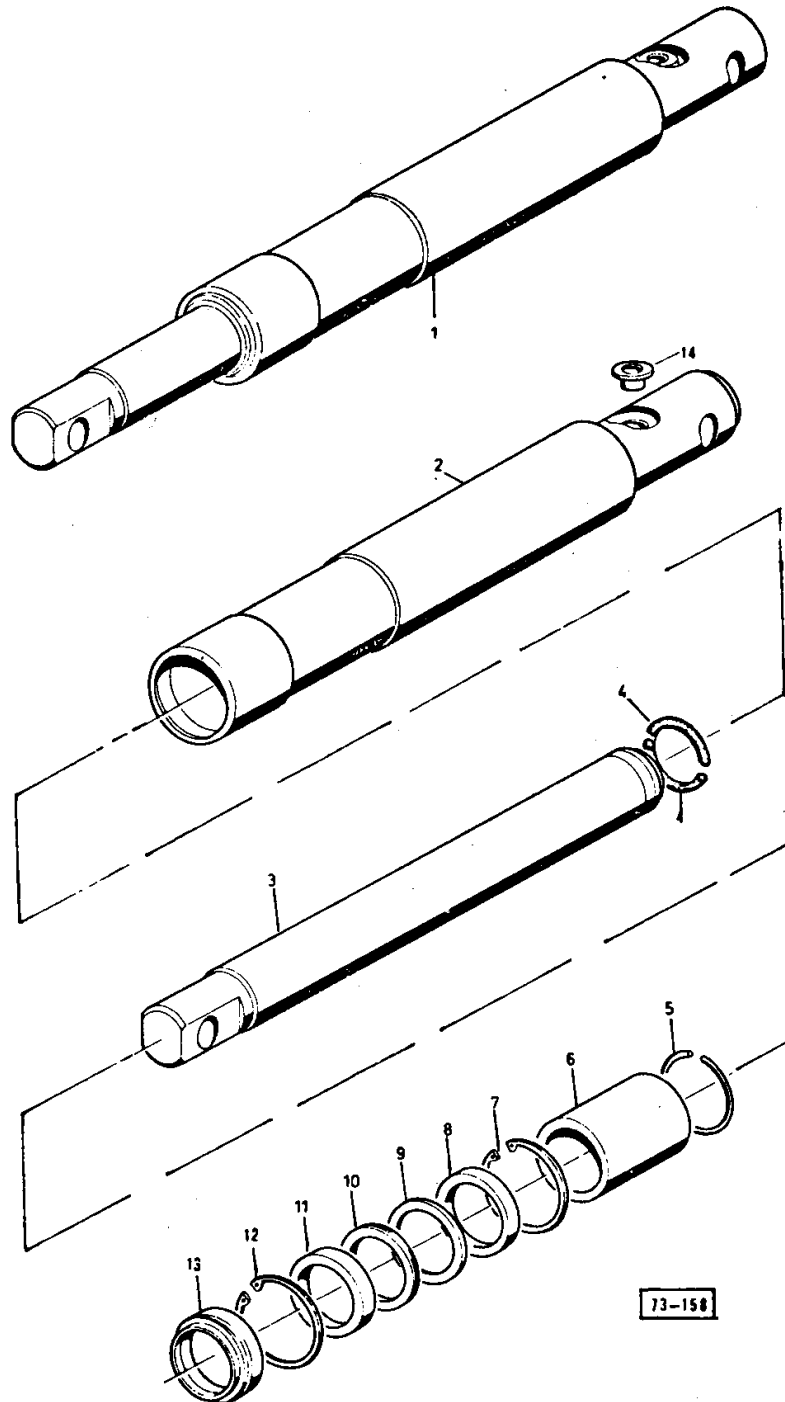


RAM (TRACTION) - 1748000M93

Item	Part Number	Qty	Description	Comments
				1748000M93
1	1748000M92	1	Ram	(A, B)
	1748000M93	1	Ram	(C)
2	1748003M91	1	Barrel	(B, C)
	1748006M93	1	Rod	(B)
	1748297M91	1	Piston	(C)
4	1748001M1	1	Bearing	(B)
	1748347M1	1	Bush	(C)
5	1441778X1	1	Gasket	(B, C)
6	1748010M1	1	Ring	(B)
	1748346M1	1	Ring	(C)
7	1441781X1	1	Seal	(B, C)
8	1441779X1	1	Ring	(B)
	1748324M1	1	Ring	(C)
9	1748002M2	1	Piston	(B)
	1748264M1	1	Piston	(C)
10	1442437X1	1	Circlip	(B)
	367178X1	1	Ring	(C)
11	1748012M1	1	Ring	(B)
	1606801M1	1	Ring	(C)
12	1748011M1	1	Seal	(B)
	1606804M1	1	Ring	(C)
13	1748012M1	1	Ring	(B)
	1606801M1	1	Ring	(C)
14	1442494M1	1	Nut	(B, C)
15	1748009M1	1	Wire	(B, C)
16	1748042M1	2	Plug	(B, C)

(A)  
IN CASE OF REQUIREMENT OF COMPLETE RAM ORDER 1748000M93  
(B)  
1748000M92  
(C)  
1748000M93

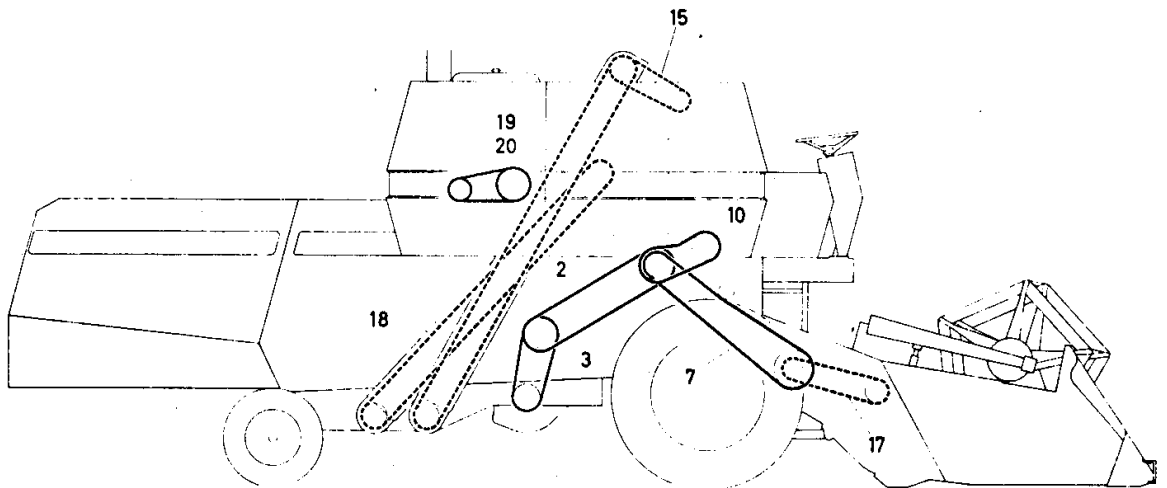
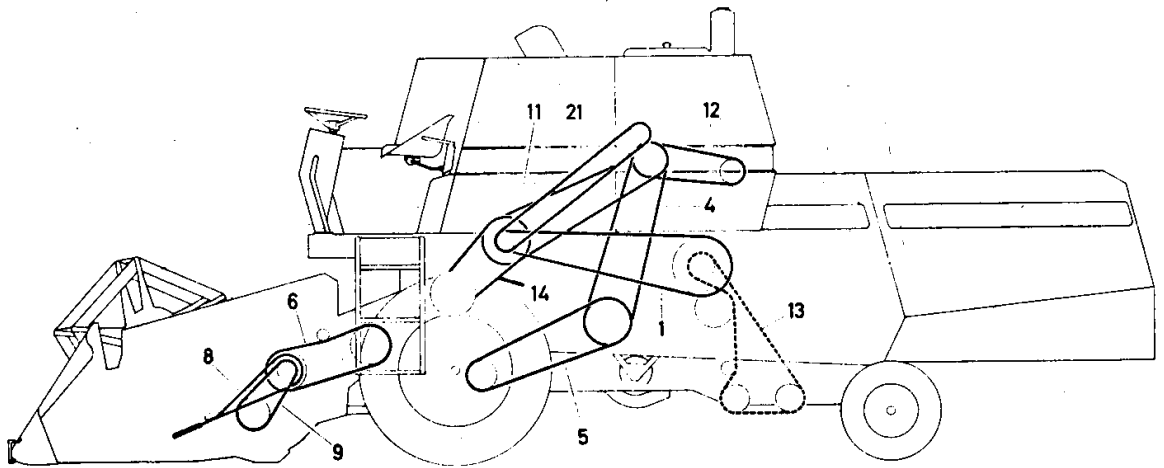
VERIN (RELEVAGE RABATTEUR)  
 HYDRAULIKZYLINDER (HASPELVESTELLUNG)  
 RAM (REEL LIFT) } 1742 022 M93



RAM (REEL LIFT) - 1748022M93

Item	Part Number	Qty	Description	Comments
				1748022M93
1	1748022M92	1	Ram	(A, B)
	1748022M93	1	Ram	(C)
2		1		Not serviced, order 1 (B, C)
3		1		Not serviced, order 1 (B, C)
4		2		Not serviced, order 1 (B, C)
5		1		Not serviced, order 1 (B, C)
6	1748118M1	1	Bush	(B, C)
7	1441827X1	1	Ring	(B, C)
8	1441846X1	1	Seal	(B, C)
9	1748030M1	1	Ring	(B, C)
10	1748031M1	1	Ring	(B, C)
11	1748032M1	1	Ring	(B)
	1748318M1	1	Ring	(C)
12	1441827X1	1	Ring	(B)
	1748318M1	1	Ring	(C)
13	1441847X1	1	Seal	(B, C)
14	1748042M1	1	Plug	(B, C)
				(A)
				IN CASE OF REQUIREMENT OF COMPLETE RAM ORDER 1748022M93
				(B)
				1748022M92
				(C)
				1748022M93

COURROIES ET CHAINES  
TREIBRIEMEN UND KETTEN  
DRIVE BELTS AND CHAINS



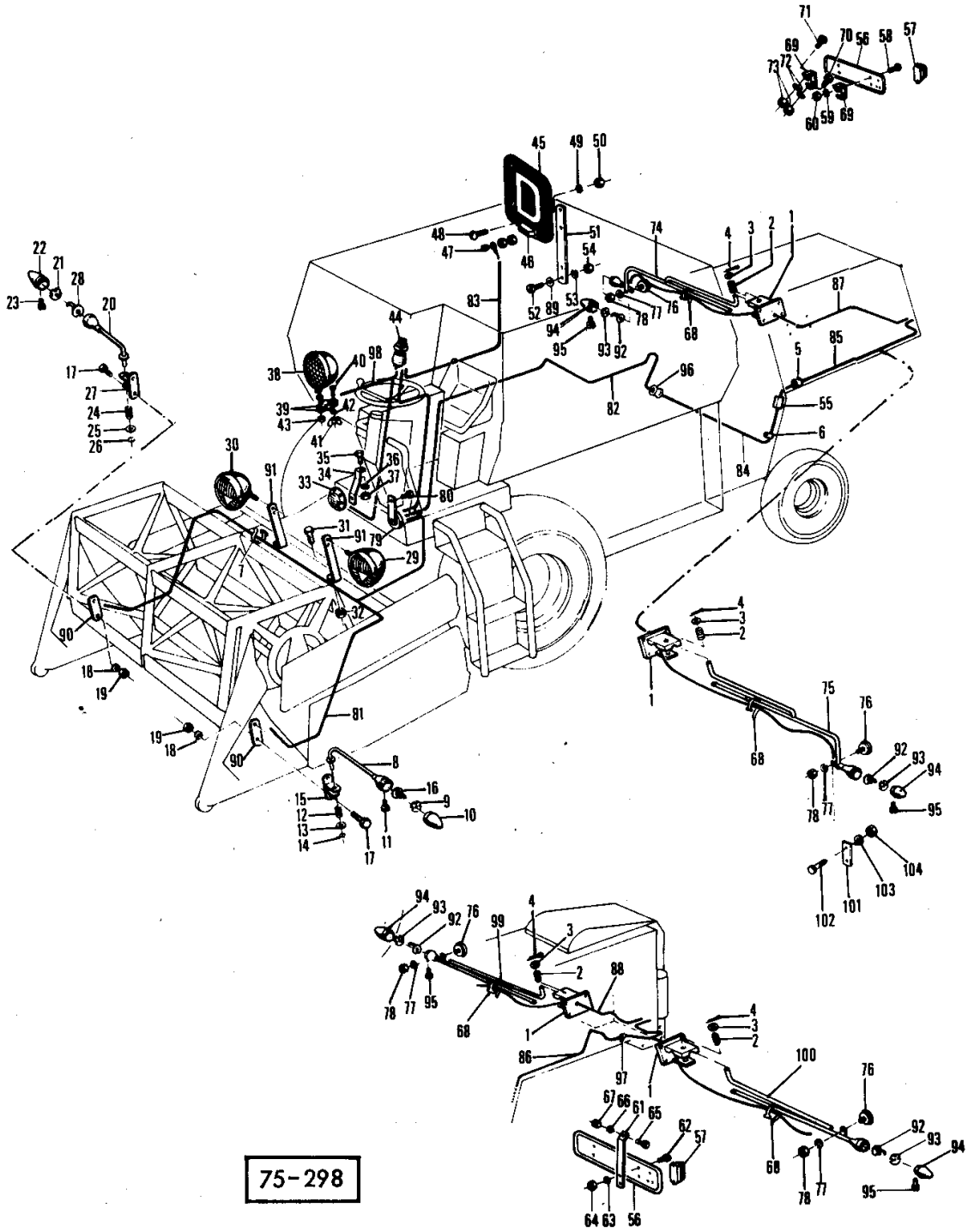
73-259

DRIVE BELTS AND CHAINS

Item	Part Number	Qty	Description	Comments
1	621258M1	1	Belt	
2	621261M1	1	Belt	
3	621262M1	1	Belt	
4	401109M1	1	Belt	
5	417995M1	1	Belt	
6	417972M1	1	Belt	
7	417974M1	1	Belt	(E)
	1724154M1	1	Belt	(F)
8	402607M1	1	Belt	
	1722835M1	1	Belt	(G)
9	418209M1	1	Belt	(A)
	413840M91	1	Chain	(B)
10	621259M1	1	Belt	
11	418232M1	1	Belt	
12	417468M1	1	Belt	(C)
13	418462M1	1	Chain	
14	621646M1	1	Belt	
15	418735M91	1	Chain	
17	413930M91	1	Chain	
18	417931M91	1	Chain	
19	405347M91	1	Chain	
20	418900M1	1	Belt	(D)
21	1721710M1	1	Belt	

(A)  
8'  
(B)  
10'  
(C)  
Up to Serial or Engine Number 1266  
(D)  
From Serial or Engine Number 1267  
(E)  
Up to Serial or Engine Number 4436  
Up to Serial or Engine Number 3906  
AUSTRIA  
(F)  
From Serial or Engine Number 4437  
From Serial or Engine Number 3907  
AUSTRIA  
(G)  
WOBBLE DRIVE

ECLAIRAGE } FRANCE  
 BELEUCHTUNG } FRANKREICH → N° 4769  
 LIGHTING } FRANCE





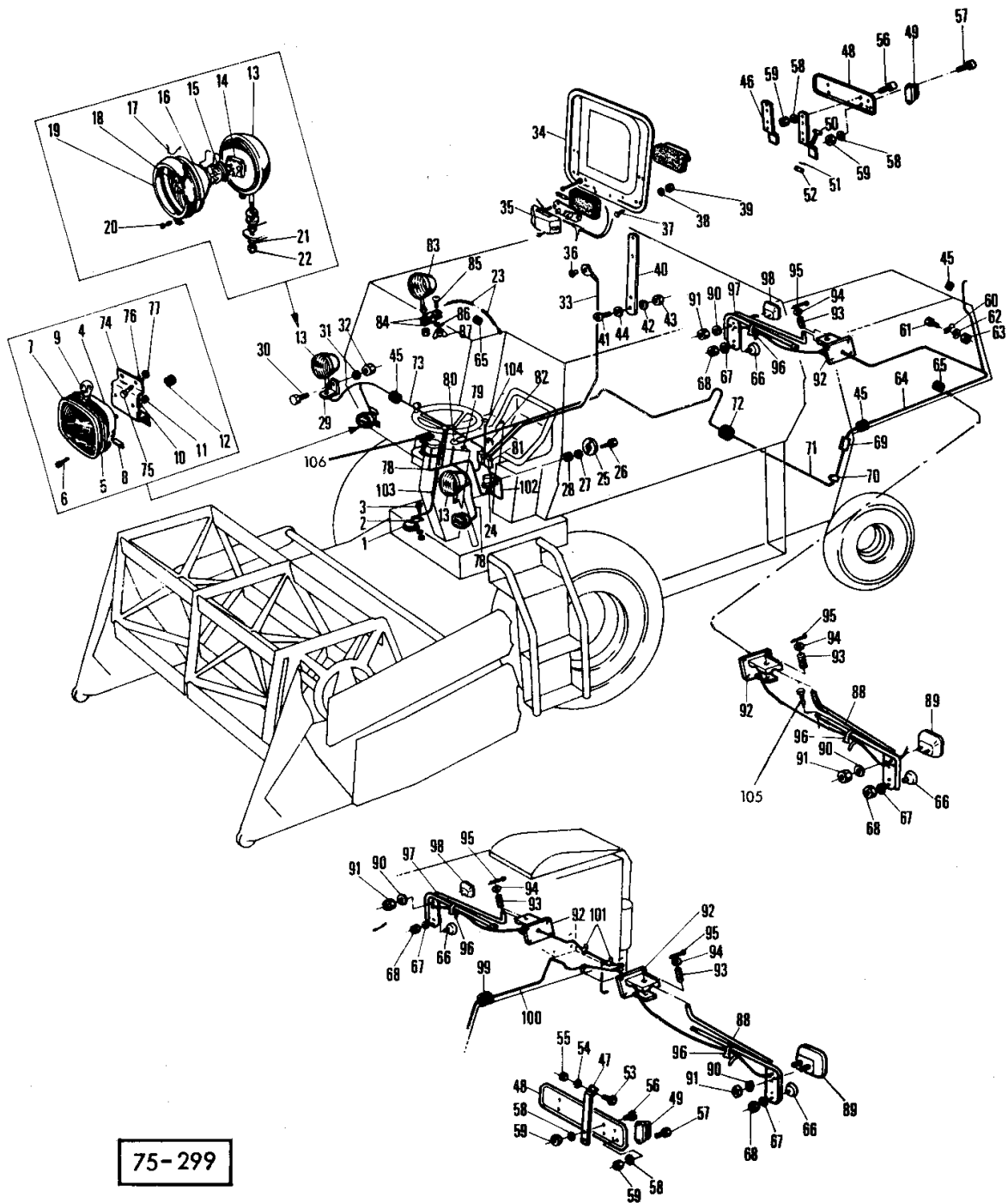
LIGHTING - FRANCE

Item	Part Number	Qty	Description	Comments
				FRANCE
1	418694M91	2	Bracket	
2	1706022M1	4	Spring	
3	339763X1	4	Washer	
4	391402X1	4	Pin	
5	322825M1	3	Grommet	
6	418712M1	1	Clamp	
7	403211M1	20	Clamp	
8	1802882M91	1	Light	Left Hand
	1802885M1	1	Bracket	
9	965205M1	1	Plate	
10	965207M1	1	Lens	
	950831M1	1	Bulb	4 W
11	965208M1	2	Screw	
12	965249M1	1	Spring	
13	965247M1	1	Washer	
14	965248M1	1	Clip	
15	1802883M1	1	Bracket	
16	965206M1	1	Bracket	
17	339123X1	4	Screw Metric	
18	339374X1	4	Lock Washer	
19	339169X1	4	Nut Metric	
20	910028M91	1	Light	Right Hand
	910027M1	1	Bracket	
21	965205M1	1	Plate	
22	965207M1	1	Lens	
	950831M1	1	Bulb	4W
23	965208M1	2	Screw	
24	965249M1	1	Spring	
25	965247M1	1	Washer	
26	965248M1	1	Clip	
27	1802883M1	1	Bracket	
28	965206M1	1	Bracket	
29	1802721M91	1	Headlamp	Left Hand
30	1802720M91	1	Lamp	Right Hand
31	339761X1	2	Screw Metric	
	339299X1	2	Screw Metric	(A)
32	339402X1	2	Nut Metric	
33	903137M1	1	Horn	
34	952099M1	1	Strap	
35	339124X1	1	Screw Metric	
36	339374X1	1	Lock Washer	
37	339169X1	1	Nut Metric	
38	903115M91	1	Lamp	
	950832M1	1	Bulb P/Lamp	
39	1725286M1	1	Clamp	
40	339236X1	1	Bolt Metric	
41	339539X1	1	Nut Metric	
42	339376X1	1	Lock Washer	
43	339402X1	1	Nut Metric	
44	968902M91	1	Switch	
	950223M1	1	Fuse	
45	1602237M93	1	Plate	
46	960851M91	1	Light	
	950831M1	1	Bulb	4 W
47	1802666M91	1	Relay	
	1602046M1	1	Knob	
	1601998M1	1	Screw	
48	330252X1	2	Screw	
49	14731X	2	Washer	
50	36131X	4	Nut	
51	418945M1	2	Bracket	
	1723671M1	2	Bracket	(B)
52	390958X1	8	Screw Metric	
53	339381X1	8	Lock Washer	
54	390995X1	8	Nut Metric	
55	408015M1	1	Union	
56	902843M91	1	Plate	
57	951819M92	1	Lamp	
	950831M1	1	Bulb	4 W

LIGHTING - FRANCE

Item	Part Number	Qty	Description	Comments
58	330252X1	2	Screw	
59	14731X1	2	Washer	
60	36131X	2	Nut	
61	418982M1	2	Bracket	
62	390962X1	4	Screw Metric	
63	339381X1	4	Lock Washer	
64	339029X1	4	Nut	
65	339666X1	2	Screw Metric	
66	339375X1	2	Lock Washer	
67	339030X1	2	Nut Metric	
68	403211M1	2	Clamp	
69	418946M1	2	Bracket	
70	339666X1	2	Screw Metric	
71	339580X1	2	Pin	
72	339375X1	4	Lock Washer	
73	339030X1	4	Nut Metric	
74	419054M91	1	Support	Right Hand
75	419056M91	1	Support	Left Hand
76	612631M3	4	Reflector	
77	339381X1	4	Lock Washer	
78	339029X1	4	Nut	
79	418953M91	1	Plate	
80	339124X1	1	Screw Metric	
81	418955M1	1	Harness	
	1723377M1	1	Harness	(A)
	418962M1	1	Extension	
	418963M1	1	Extension	
82	418956M1	1	Harness	
83	418965M1	1	Harness	
	1723672M1	1	Harness	(B)
84	418958M1	1	Cable	
85	418959M1	1	Cable	
86	418981M1	1	Cable	
87	418174M1	1	Cable	
88	418173M1	2	Cable	
89	1441265X1	4	Washer	
90	1802886M1	2	Plate	
91	417163M91	2	Bracket	
	1723375M91	2	Bracket	(B)
92	965206M1	4	Bracket	
93	965205M1	4	Plate	
94	965207M1	4	Lens	
	950831M1	1	Bulb	
95	965208M1	8	Screw	
96	326920M1	1	Grommet	
97	321564M1	3	Clip	
98	418957M1	1	Cable	
99	418947M91	1	Support	Right Hand
100	418949M91	1	Support	Left Hand
101	1720424M1	2	Extension	(C)
102	390990X1	2	Screw Metric	(C)
103	339381X1	2	Lock Washer	(C)
104	390995X1	2	Nut Metric	(C)
				(A)
				TELESCOPIC TABLE
				(B)
				BAGGER TANKER
				(C)
				STRAW PRESS

ECLAIRAGE } FRANCE  
 BELEUCHTUNG } FRANKREICH N° 4770 →  
 LIGHTING } FRANCE



LIGHTING - FRANCE

Item	Part Number	Qty	Description	Comments
				FRANCE
				From Serial or Engine Number 4770
1	621219M1	1	Horn	
2	412738M1	1	Reinforcement	
3	339124X1	1	Screw Metric	
	339374X1	1	Lock Washer	
	339169X1	1	Nut Metric	
4	619413M91	2	Lamp	
5	1806422M1	1	Gasket	
6	1806421M1	2	Screw	
7	1806417M1	1	Lens	
8	621234M1	1	Bulb 5w Festoon	
9	621235M1	1	Bulb 21w Side	
10	339381X1	4	Lock Washer	
11	390995X1	4	Nut Metric	
12	320858M1	2	Grommet	
13	621238M91	2	Lamp	
14	1806433M1	1	Union	
15	965465M1	1	Bulb H/L 45/40w	
16	1806431M1	1	Reflector	
17	1601881M1	4	Fastener	
18	1806430M1	1	Window	
19	1806432M1	1	Gate	
20	1600101M1	1	Screw	
21	339376X1	2	Lock Washer	
22	339402X1	2	Nut Metric	
23	1724812M1	1	Cable	
24	406220M1	1	Blinker	
25	418691M1	1	Washer	
26	339666X1	2	Screw Metric	
27	339375X1	2	Lock Washer	
28	339030X1	2	Nut Metric	
29	418692M1	1	Strap	
30	339124X1	2	Screw Metric	
31	339374X1	2	Lock Washer	
32	339169X1	2	Nut Metric	
33	1724810M1	1	Cable	
	1724811M1	1	Cable	(A)
34	1602237M93	1	Plate	
35	960851M91	2	Light	
	950831M1	2	Bulb	4 W
36	1802666M91	1	Relay	
	1602046M1	1	Knob	
	1601998M1	1	Screw	
37	330252X1	2	Screw	
38	14731X	2	Washer	
39	36131X	4	Nut	
40	418945M1	2	Bracket	
	1723671M1	2	Bracket	(A)
41	390958X1	8	Screw Metric	
42	339381X1	8	Lock Washer	
43	390995X1	8	Nut Metric	
44	1441265X1	4	Washer	
45	322825M1	5	Grommet	(B)
46	1724834M1	2	Bracket	(B)
47	418982M1	2	Bracket	(C)
48	1802698M1	1	Plate	
49	960797M1	1	Lamp	
	950831M1	1	Bulb	
50	339124X1	2	Screw Metric	(B)
51	339374X1	2	Lock Washer	(B)
52	339169X1	2	Nut Metric	(B)
53	339666X1	2	Screw Metric	(C)
54	339375X1	2	Lock Washer	(C)
55	339030X1	2	Nut Metric	(C)
56	390958X1	4	Screw Metric	
57	390962X1	2	Screw Metric	
58	339381X1	6	Lock Washer	
59	390995X1	6	Nut Metric	
60	326891M1	4	Strap	(B)

LIGHTING - FRANCE

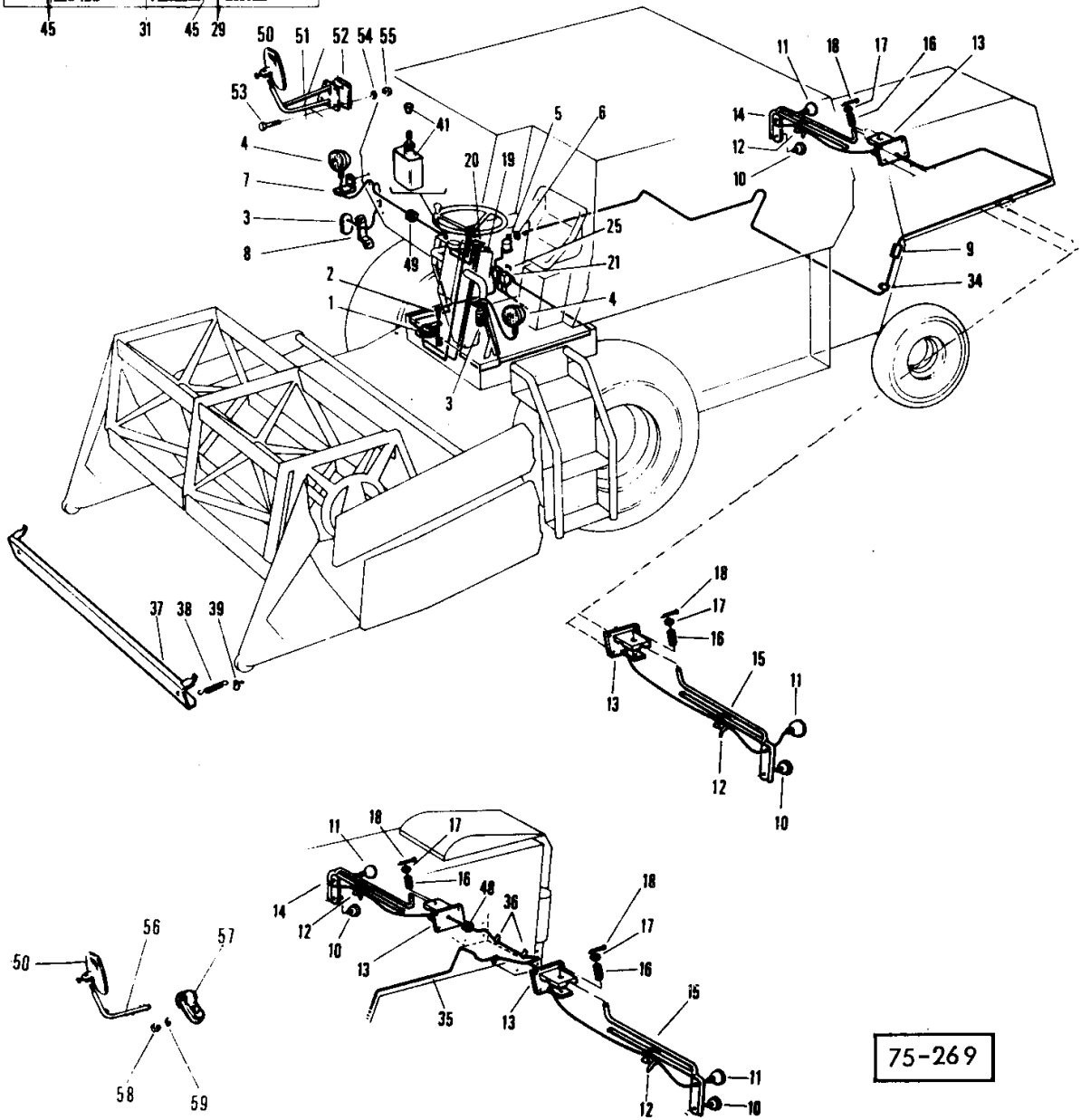
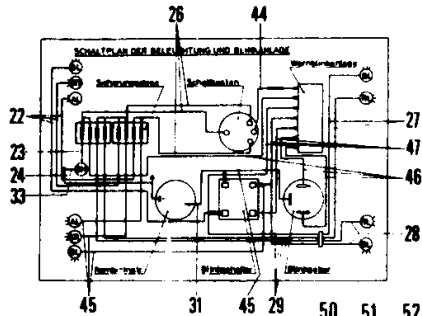
Item	Part Number	Qty	Description	Comments
61	391074X1	4	Screw Metric	(B)
62	339375X1	4	Lock Washer	(B)
63	339030X1	4	Nut Metric	(B)
64	1724815M1	1	Cable	(B)
65	320858M1	2	Grommet	(B)
66	962421M2	2	Reflector	
67	339381X1	2	Lock Washer	
68	390995X1	2	Nut Metric	
69	416546M1	3	Connector	
	408015M1	1	Union	
70	968429M1	1	Fastener	
71	418708M1	1	Harness	
72	326920M1	1	Grommet	
73	1724813M1	1	Harness	
74	621389M2	1	Bracket	
75	339401X1	4	Screw Metric	
76	339376X1	4	Lock Washer	
77	339402X1	4	Nut Metric	
78	1724816M1	1	Harness	
79	320808M1	1	Switch	
80	407764M1	1	Switch	
	403704M1	1	Bulb 12v 2w	(D)
	908597M1	1	Bulb	(E)
81	320809M2	2	Box	
	320810M2	8	Fuse	
	339112X1	4	Screw Metric	
	339382X1	4	Lock Washer	
	339111X1	4	Nut	
82	320823M1	4	Rail	
83	90879M91	1	Lamp	
	950832M1	1	Bulb P/Lamp	
84	1725286M1	2	Clamp	
85	339131X1	1	Bolt	
86	339376X1	1	Lock Washer	
87	339539X1	1	Nut Metric	
88	1724806M91	1	Bearer	
89	619414M91	1	Light	Left Hand
	621235M1	1	Bulb 21w Side	
	621234M1	1	Bulb 5w Festoon	
90	339381X1	4	Lock Washer	
91	390995X1	4	Nut Metric	
92	418694M91	2	Bracket	
	339560X1	8	Screw Metric	
	339375X1	8	Lock Washer	
	339030X1	8	Nut Metric	
93	326690M1	2	Spring	
94	339763X1	2	Washer	
95	390446X1	2	Pin	
96	403211M1	7	Clamp	
97	1724808M91	1	Bearer	Right Hand
98	621241M91	1	Light	Right Hand
	621235M1	1	Bulb 21w Side	
	621234M1	1	Bulb 5w Festoon	
99	320858M1	3	Grommet	(C)
100	1724814M1	1	Harness	(C)
101	321564M1	2	Clip	(C)
	339560X1	2	Screw Metric	(C)
	339375X1	2	Lock Washer	(C)
	339030X1	2	Nut Metric	(C)
102	416545M1	1	Cable	
103	418705M1	1	Cable	
104	1724809M1	1	Harness	
105	339451X1	2	Screw Metric	
	339402X1	4	Nut Metric	
106	899567M91	1	Pointer	
	322795M1	1	Bulb	
	967372M1	1	Gasket	
	911842M1	1	Cable	

(A)  
BAGGER TANKER

Item	Part Number	Qty	Description	Comments
				(B) HOOD
				(C) STRAW PRESS
				(D) Up to Serial or Engine Number C1128299
				(E) From Serial or Engine Number C1228301

4.32

ECLAIRAGE } ALLEMAGNE  
 BELEUCHTUNG } DEUTSCHLAND  
 LIGHTING } GERMANY



Imprimé en FRANCE

187

419 195 M5 -Emission-1- X/75

LIGHTING - GERMANY

Item	Part Number	Qty	Description	Comments
				GERMANY
1	416361M1	1	Horn	
2	339124X1	1	Screw Metric	
	339374X1	1	Lock Washer	
	339169X1	1	Nut Metric	
3	324130M1	2	Flasher	
	405813M1	2	Bulb 2w Instr.	
4	418689M1	2	Lamp	
	326917M1	2	Bulb	
	322795M1	2	Bulb	
5	406220M1	1	Blinker	
	339666X1	2	Screw Metric	
	339375X1	2	Lock Washer	
	339030X1	2	Nut Metric	
6	418691M1	1	Washer	
	339666X1	2	Screw Metric	
	339375X1	2	Lock Washer	
	339030X1	2	Nut Metric	
7	418692M1	1	Strap	
	339124X1	2	Screw Metric	
	339374X1	2	Lock Washer	
	339169X1	2	Nut Metric	
8	418693M1	1	Bearer	
	390903X1	2	Screw Metric	
	339375X1	2	Lock Washer	
	339030X1	2	Nut Metric	
9	416546M1	4	Connector	
	1440996X1	1	Rivet	
10	416035M1	2	Reflector	
11	406204M1	2	Lamp	
	327711M1	2	Bulb	
	405813M1	2	Bulb 2w Instr.	
12	403211M1	6	Clamp	
13	418694M91	2	Bracket	
	339560X1	8	Screw Metric	
	339375X1	8	Lock Washer	
	339030X1	8	Nut Metric	
14	418698M91	1	Support	(A)
				Right Hand
	1724808M91	1	Bearer	Right Hand
15	418701M91	1	Support	(A)
				Left Hand
	1724806M91	1	Bearer	Left Hand
16	326690M1	2	Spring	
17	339763X1	2	Washer	
18	390446X1	2	Pin	
19	320808M1	1	Switch	
20	407764M1	1	Switch	
	403704M1	2	Bulb 12v 2w	(B)
	908597M1	2	Bulb	(C)
21	320809M2	2	Box	
	320810M2	8	Fuse	
	339112X1	4	Screw Metric	
	339382X1	4	Lock Washer	
	339311X1	4	Roll Pin	
22	418703M1	1	Harness	
23	418704M1	1	Cable	
24	418705M1	1	Cable	
25	320823M1	5	Rail	
26	403203M1	1	Harness	
27	418706M1	1	Harness	
28	418707M1	1	Harness	
29	418708M1	1	Harness	
30	416545M1	1	Cable	
31	418709M1	1	Cable	
33	418711M1	1	Cable	
34	418712M1	1	Clamp	
35	418904M1	1	Harness	(A)
36	321564M1	2	Clip	(A)
	339560X1	2	Screw Metric	

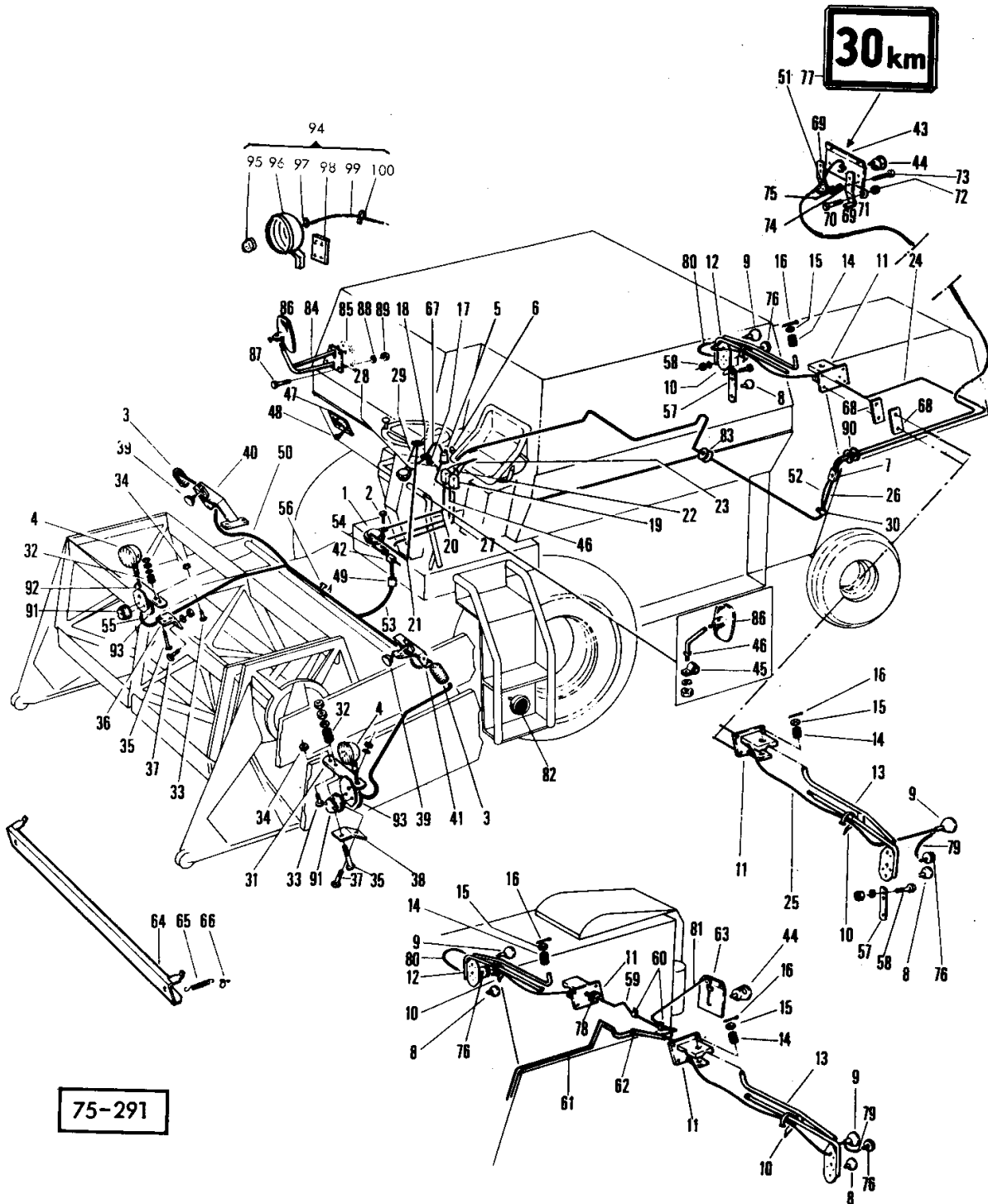


LIGHTING - GERMANY

Item	Part Number	Qty	Description	Comments
	339375X1	2	Lock Washer	
	339030X1	2	Nut Metric	
37	419024M91	1	Guard	
38	326639M1	2	Spring	
39	322979M1	2	Knotter Hook	
41	1724365M91	1	Blinker	(D)
	908267M2	1	Switch	(E)
	403704M1	1	Bulb 12v 2w	(E)
	414173M1	1	Cable	
44	1722941M1	1	Wire	
45	1723150M1	1	Harness	
46	1723151M1	1	Harness	
47	1723152M1	1	Harness	
48	320858M1	3	Grommet	
49	322825M1	3	Grommet	
50	1724776M1	1	Mirror	
51	1724895M91	1	Bearer	Right Hand
52	1724037M1	1	Plate	
53	339123X1	4	Screw Metric	
54	339374X1	4	Lock Washer	
55	339169X1	4	Nut Metric	
56	916021M1	1	Bearer	Left Hand
57	403698M1	1	Clamp	
58	339402X1	2	Nut Metric	
59	339534X1	1	Washer Metric	

(A)  
STRAW PRESS  
(B)  
Up to Serial or Engine Number C1226506  
(C)  
From Serial or Engine Number C1226507  
(D)  
Up to Serial or Engine Number 4456  
(E)  
From Serial or Engine Number 4457

ECLAIRAGE	} AUTRICHE
BELEUCHTUNG	
LIGHTING	
	} OSTERREICH
	} AUSTRIA



LIGHTING - AUSTRIA

Item	Part Number	Qty	Description	Comments
				AUSTRIA
1	416361M1	1	Horn	
2	339124X1	1	Screw Metric	
	339374X1	1	Lock Washer	
	339169X1	1	Nut Metric	
3	324130M1	2	Flasher	
	405813M1	2	Bulb 2w Instr.	
4	418689M1	2	Lamp	
	326917M1	2	Bulb	15 W
	322795M1	2	Bulb	2 W
5	406220M1	1	Blinker	
	339666X1	2	Screw Metric	
	339375X1	2	Lock Washer	
	339030X1	2	Nut Metric	
6	418691M1	1	Washer	
7	416546M1	6	Connector	
	1441004X1	1	Rivet	
8	416085M1	2	Reflector	
9	1723391M1	2	Lamp	
	327711M1	2	Bulb	10 W
	405813M1	2	Bulb 2w Instr.	18 W
10	403211M1	7	Clamp	
11	418694M91	2	Bracket	
12	1723382M91	1	Support	Right Hand
	339451X1	1	Screw Metric	
	339402X1	2	Nut Metric	
13	1723386M91	1	Support	Left Hand
	339451X1	2	Screw Metric	
	339402X1	2	Nut Metric	
14	326690M1	2	Spring	
15	339763X1	2	Washer	
16	390446X1	2	Pin	
17	320808M1	1	Switch	
18	407764M1	1	Switch	
	403704M1	2	Bulb 12v 2w	(A)
	908597M1	2	Bulb	(B) 2 W
19	320809M2	2	Box	
	320810M2	8	Fuse	
20	418704M1	1	Cable	
21	418705M1	1	Cable	
22	320823M1	5	Rail	
23	403203M1	1	Harness	
24	1723469M1	1	Harness	
25	1723471M1	1	Harness	
26	418708M1	1	Harness	
27	416545M1	1	Cable	
28	418709M1	1	Cable	
29	418711M1	1	Cable	
30	968429M1	1	Fastener	
31	420037M91	2	Support	(C)
	1723482M91	1	Bearer	(D)
32	326550X1	2	Spring	
33	391484X1	2	Screw Metric	
34	339080X1	2	Roll Pin	
35	339356X1	2	Circlip	
	339056X1	2	Washer Metric	
	339169X1	4	Nut Metric	
36	418802M1	1	Bearer	Right Hand
37	339123X1	4	Screw Metric	
	339374X1	4	Lock Washer	
	339169X1	4	Nut Metric	
38	418803M1	1	Bracket	Left Hand
39	403697M1	2	Reflector	(C)
40	418804M91	1	Support	(C) Right Hand
	1722587M91	1	Support	(D) Left Hand
41	418807M91	1	Support	(C) Left Hand

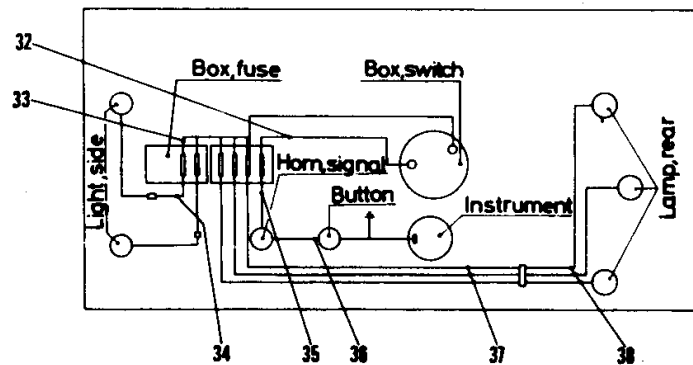
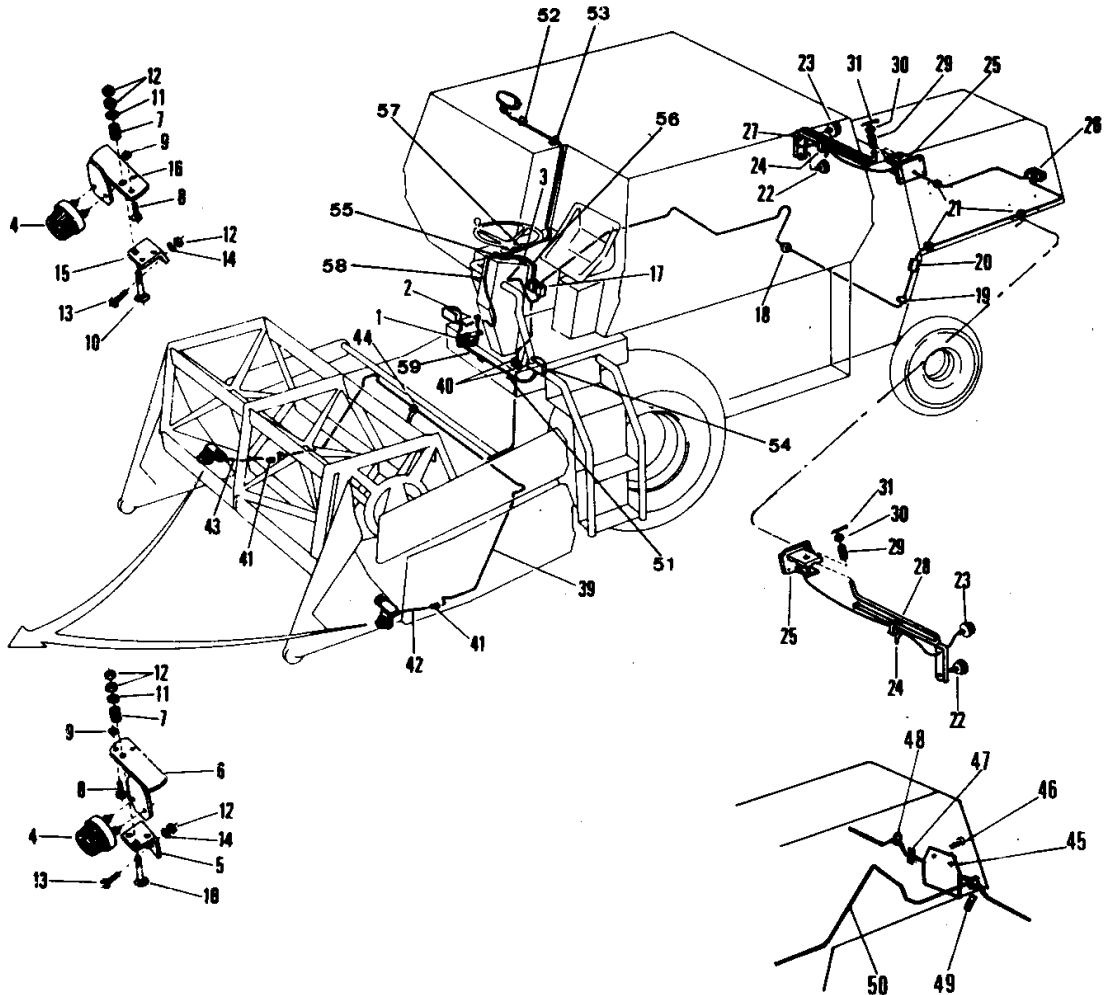
LIGHTING - AUSTRIA

Item	Part Number	Qty	Description	Comments
	1722579M91	1	Bearer	(D) Left Hand
	339761X1	4	Screw Metric	
	339374X1	4	Lock Washer	
	339169X1	4	Nut Metric	
42	1700890M1	1	Switch	(C)
	1440993X1	1	Seal	(C)
43	1723380M91	1	Plate	
	339560X1	2	Screw Metric	
	339375X1	2	Lock Washer	
	339030X1	2	Nut Metric	
44	322799M1	1	Lamp	(C)
	326977M1	1	Light	(D)
	322801M1	1	Bulb	
45	403698M1	1	Clamp	
	339534X1	1	Washer Metric	
	339402X1	2	Nut Metric	
46	916021M1	1	Bearer	Left Hand
	324135M1	1	Plate	(C)
	339112X1	4	Screw Metric	
	339382X1	4	Lock Washer	
	339111X1	4	Nut	
49	328999M1	6	Connector	
50	419048M1	1	Harness	
51	418811M1	1	Cable	(C)
	1723473M1	1	Harness	(D)
52	418812M1	1	Harness	(C)
	1723395M1	1	Harness	(D)
53	418813M1	1	Harness	
54	418814M1	1	Harness	(C)
55	404980M3	1	Harness	
56	403211M1	20	Clamp	
57	418815M1	2	Plate	(C)
58	339560X1	4	Screw Metric	(C)
	339375X1	4	Lock Washer	(C)
	339030X1	4	Nut Metric	(C)
59	1723601M1	1	Harness	(E)
60	321564M1	3	Clip	(E)
61	418966M1	1	Harness	(C)
	1723605M1	1	Harness	(D)
62	321564M1	1	Clip	
63	1723600M91	1	Plate	(E)
64	4190249M1	1	Guard	
65	326639M1	2	Spring	
66	322979M1	1	Knotter Hook	
67	1722191M1	1	Harness	
68	1730353M1	2	Spacer	(E)
69	1730425M1	2	Bracket	(E)
70	416503M1	2	Bolt	(E)
71	339374X1	2	Lock Washer	(E)
72	339169X1	2	Nut Metric	(E)
73	339560X1	4	Screw Metric	(E)
74	339375X1	4	Lock Washer	(E)
75	339030X1	4	Nut Metric	(E)
76	1723304M1	2	Lamp	
	327711M1	2	Bulb	
77	1721902M1	1	Plate	
78	320858M1	3	Grommet	
79	1723393M1	1	Cable	
80	1723394M1	1	Cable	
81	1723605M1	1	Cable	
82	1723390M1	2	Reflector	
83	326920M1	1	Grommet	
84	1724895M91	1	Bearer	Right Hand
85	1724037M1	1	Plate	
86	1724776M1	2	Mirror	
87	339123X1	4	Screw Metric	
88	339374X1	4	Lock Washer	
89	339169X1	4	Nut Metric	
90	322825M1	3	Grommet	

LIGHTING - AUSTRIA

Item	Part Number	Qty	Description	Comments
91	1723306M1	2	Light	
	406219M1	2	Bulb 3w Festoon	
92	412037M91	1	Support	(C) Right Hand
	1723483M91	1	Bearer	(D) Right Hand
93	1723392M1	2	Cable	
94	403708M92	1	Lamp	
95	403710M1	1	Bulb	25 W
96	403709M1	1	Lamp	
97	320858M1	1	Grommet	
98	403713M1	1	Plate	
	339560X1	4	Screw Metric	
	339375X1	4	Lock Washer	
	339030X1	4	Nut Metric	
99	403711M2	1	Cable	
100	403211M1	1	Clamp	
	403712M1	1	Clip	(A) Up to Serial or Engine Number C1226506 (B) From Serial or Engine Number C1226507 (C) Up to Serial or Engine Number 3141 (D) From Serial or Engine Number 3142 (E) STRAW PRESS

ECLAIRAGE } ANGLETERRE.  
 BELEUCHTUNG } ENGLAND  
 LIGHTING } ENGLAND



75-313

LIGHTING - ENGLAND

Item	Part Number	Qty	Description	Comments
				ENGLAND
1	416361M1	1	Horn	
2	339124X1	1	Screw Metric	
	339374X1	1	Lock Washer	
	339169X1	1	Nut Metric	
3	320808M1	1	Switch	
4	1723306M1	2	Light	
	406219M1	2	Bulb 3w Festoon	
5	418803M1	1	Bracket	Left Hand
6	1723482M91	1	Bearer	Left Hand
7	1706040M1	2	Spring	
8	391484X1	2	Screw Metric	
9	339030X1	2	Nut Metric	
10	339256X1	2	Bolt Metric	
11	339056X1	2	Washer Metric	
12	339169X1	8	Nut Metric	
13	339123X1	4	Screw Metric	
14	339374X1	4	Lock Washer	
15	418802M1	1	Bearer	Right Hand
	1724247M1	1	Bracket	Right Hand
16	1723483M91	1	Bearer	Right Hand
17	320809M2	2	Box	
	320810M2	6	Fuse	
	339112X1	4	Screw Metric	
	339382X1	4	Lock Washer	
	339111X1	4	Nut	
18	326920M1	1	Grommet	
19	418712M1	1	Clamp	
20	416546M1	3	Connector	
21	322825M1	3	Grommet	
22	416085M1	2	Reflector	
23	1723304M1	2	Lamp	
	327711M1	2	Bulb	
24	403211M1	6	Clamp	
25	418694M91	2	Bracket	
	339560X1	8	Screw Metric	
	391484X1	8	Screw Metric	(A)
	338375X1	8	Washer	
	339030X1	8	Nut Metric	
26	326977M1	1	Light	
	322801M1	1	Bulb	
27	1723326M91	1	Tube	Right Hand
28	1723329M91	1	Tube	Left Hand
	339451X1	2	Screw Metric	
	339402X1	4	Nut Metric	
29	1706022M1	2	Spring	
30	339763X1	2	Washer	
31	391402X1	2	Pin	
32	1723766M1	1	Harness	
33	320823M1	1	Rail	
34	1723767M1	1	Cable	
35	418704M1	1	Cable	
36	418705M1	1	Cable	
37	1723768M1	1	Cable	
38	1723769M1	1	Harness	(B)
	1723771M1	1	Harness	(A)
39	1723772M1	1	Harness	
40	328999M1	2	Connector	
41	328999M1	2	Connector	
42	1723392M1	1	Cable	Left Hand
43	1723773M1	1	Cable	Right Hand
44	403211M1	20	Clamp	
45	1723600M91	1	Plate	(A)
46	339560X1	2	Screw Metric	(A)
	339375X1	2	Lock Washer	(A)
	339030X1	2	Nut Metric	(A)
47	321564M1	2	Clip	(A)
	339560X1	2	Screw Metric	(A)
	339375X1	2	Lock Washer	(A)
	3390301X	2	Nut	(A)

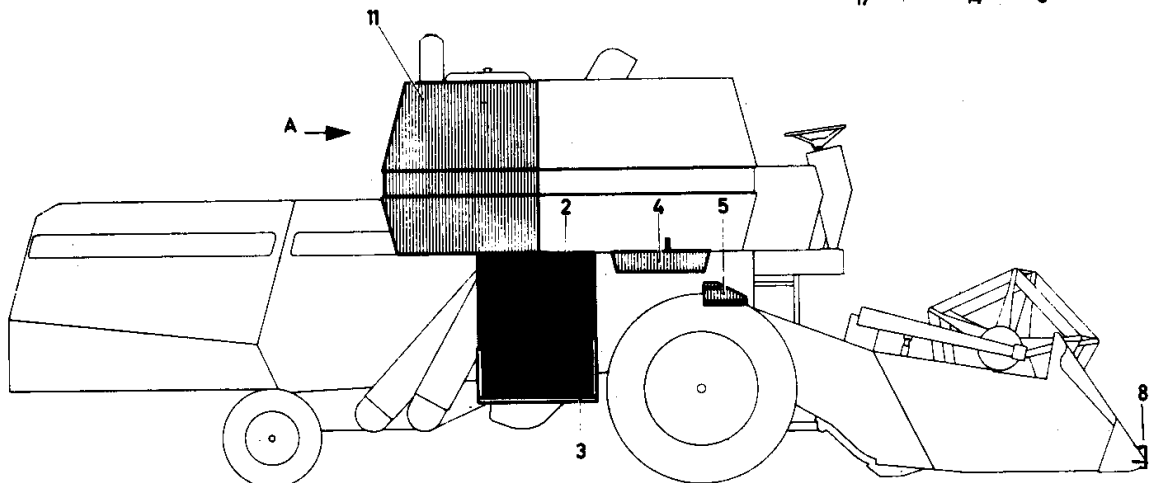
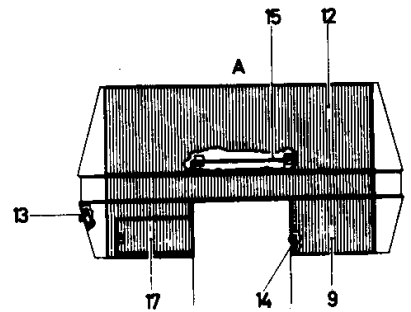
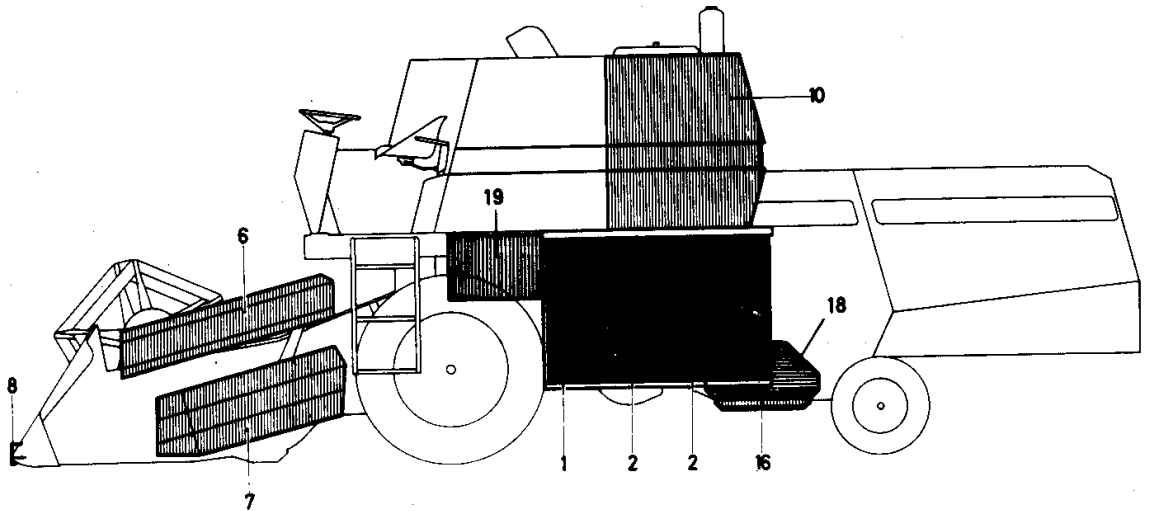
LIGHTING - ENGLAND

Item	Part Number	Qty	Description	Comments
48	320858M1	3	Grommet	(A)
49	321564M1	1	Clip	(A)
50	1723605M1	6	Cable	(A)
51	656447M1	6	Collar	
52	882659M1	6	Fastener	
53	1800028M1	4	Grommet	
54	619459M92	3	Lamp	
55	1802948M1	2	Switch	
56	1725308M1	1	Cable	
	1725309M1	1	Cable	
57	1725307M1	1	Cable	
58	1725305M1	1	Cable	
59	1725306M1	1	Cable	

(A)  
STRAW PRESS  
(B)  
HOOD



GARANTS  
SCHÜTZBLECHE  
GUARDS



73-265

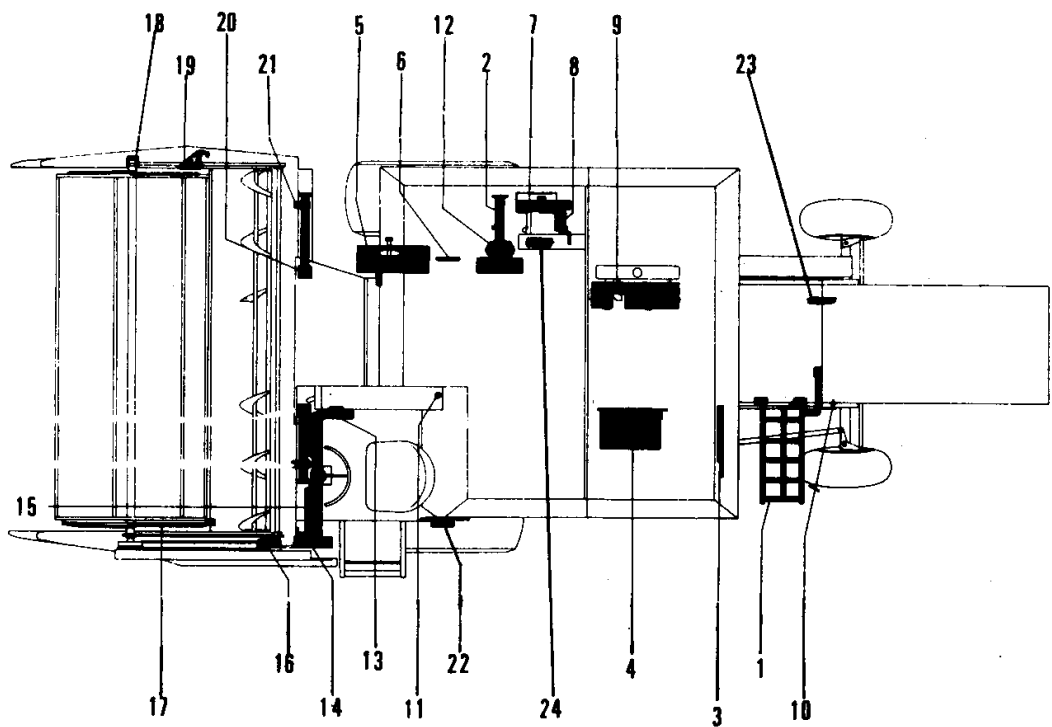
GUARDS-TRANSMISSION

Item	Part Number	Qty	Description	Comments
1	418308M92	1	Bearer	Left Hand
	391486X1	4	Rivet	
	339761X1	2	Screw Metric	
	339024X1	2	Washer Metric	
	339374X1	2	Lock Washer	
	339169X1	2	Nut Metric	
	339124X1	1	Screw Metric	
	339374X1	1	Lock Washer	
	339169X1	1	Nut Metric	
2		3	Screen	
3	418319M91	1	Bearer	Right Hand
	419404M91	1	Bearer	(A) Right Hand
	339123X1	2	Screw Metric	
	339374X1	2	Lock Washer	
	339169X1	2	Nut Metric	
4	419041M91	1	Guard	
	339124X1	2	Screw Metric	
	339123X1	1	Screw Metric	
	391166X1	3	Washer Metric	
	339374X1	3	Lock Washer	
	339169X1	3	Nut Metric	
5	418979M1	1	Cowl	
6	418329M91	1	Guard	
	1706587M1	2	Bush	
	339291X1	2	Bolt Metric	
	339374X1	2	Lock Washer	
	339169X1	2	Nut Metric	
7	418326M91	1	Guard	
8	419024M91	1	Guard	(D)
	1725338M91	1	Cowl	(E)
	1706101M1	2	Spring	
	322979M1	2	Knotter Hook	
9	418263M91	1	Support	
	419163M91	1	Support	(A)
	339123X1	4	Screw Metric	
	339024X1	4	Washer Metric	
	339374X1	4	Lock Washer	
	339169X1	4	Nut Metric	
10	418277M91	1	Side	Left Hand
	339024X1	4	Washer Metric	
	339106X1	4	Nut Metric	
	339107X1	3	Wingbolt	
	339374X1	7	Lock Washer	
	339169X1	3	Nut Metric	
11	418281M91	1	Side	Right Hand
	339024X1	4	Washer Metric	
	339106X1	4	Nut Metric	
	339107X1	3	Wingbolt	
	339374X1	7	Lock Washer	
12	418284M91	1	Door	(B)
	418798M91	1	Door	(C)
	419209M91	1	Door	(A)
	339124X1	1	Screw Metric	
	339761X1	1	Screw Metric	
	339374X1	2	Lock Washer	
	339169X1	2	Nut Metric	
13	418294M91	1	Bearer	
	418296M1	X	Shim	
	339451X1	2	Screw Metric	
	339025X1	4	Washer Metric	
	339376X1	2	Lock Washer	
	339402X1	2	Nut Metric	
14	418306M1	2	Anglepiece	
	339124X1	2	Screw Metric	
	339170X1	2	Screw	
	339697X1	2	Washer	
	339374X1	4	Lock Washer	
	339169X1	4	Nut Metric	
15	418307M1	1	Stem	

GUARDS-TRANSMISSION

Item	Part Number	Qty	Description	Comments
	339076X1	1	Pin	
16	418473M91	1	Guard	
	339560X1	4	Screw Metric	
	339375X1	4	Lock Washer	
	339030X1	4	Nut Metric	
17	418297M91	1	Boot	(A)
	418304M1	2	Stem	(A)
	418305M1	1	Door	(A)
	418065M1	1	Fastener	(A)
	786051M2	1	Cup	(A)
	321494M2	1	Lock	
	419172M91	1	Boot	(A)
	418304M1	2	Stem	(A)
	419173M1	1	Door	(A)
	418065M1	1	Fastener	(A)
	786051M2	1	Cup	(A)
	339247X1	2	Bolt	
	339697X1	2	Washer	
	339374X1	2	Lock Washer	
	339169X1	2	Nut Metric	
	339124X1	1	Screw Metric	
	339024X1	1	Washer Metric	
	339374X1	1	Lock Washer	
	339169X1	1	Nut Metric	
	339123X1	2	Screw Metric	
	339024X1	2	Washer Metric	
	339374X1	2	Lock Washer	
	339169X1	2	Nut Metric	
	339124X1	3	Screw Metric	(A)
	339024X1	3	Washer Metric	(A)
	339374X1	3	Lock Washer	(A)
	339169X1	3	Nut Metric	(A)
18	916879M91	1	Cowl	(C)
	339230X1	1	Screw Metric	(C)
	339692X1	1	Washer	(C)
	339375X1	1	Lock Washer	(C)
19	1721814M91	1	Cowl	(A-C)
	1603045M91	1	Cowl	(C)
	339107X1	1	Wingbolt	(C)
	339024X1	1	Washer Metric	(C)
	339374X1	1	Lock Washer	(C)
				TOOL BOX CONTENTS NON ILLUSTRATED
	1603181M91	1	Gun	
	403217M1	1	Oiler	
	390185X1	1	Hammer	9 X 11
	403215M1	1	Screw	10 X 14
	391113X1	1	Wrench	13 X 14
	390184X1	1	Wrench	17 X 19
	322685M1	1	Wrench	19 X 24
	391108X1	1	Wrench	22 X 24
	322686M1	1	Wrench	30 X 36
	390860X1	1	Wrench	
	322687M1	1	Spanner	
	323485M1	1	Spanner	
	789346M91	2	Guard	
	789351M1	2	Plate	
	340601X1	2	Rivet	
				(A) BAGGER TANKER MACHINES (B) Up to Serial or Engine Number 2459 (C) From Serial or Engine Number 2460 (D) 8' (E) 10'

GARANTS SUPPLEMENTAIRES  
ERGANZUGSSCHUTZBLECHE  
ADDITIONAL GUARDS



72-343

ADDITIONAL GUARDS

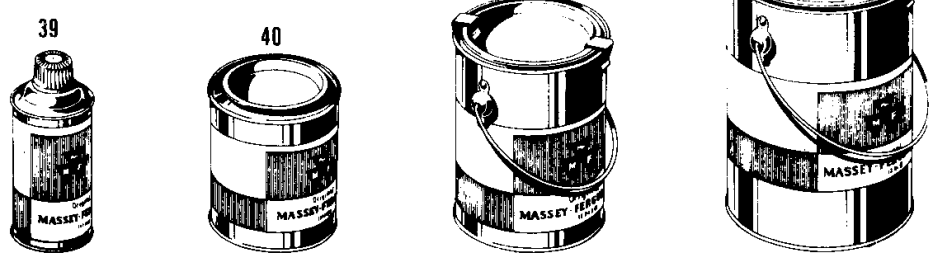
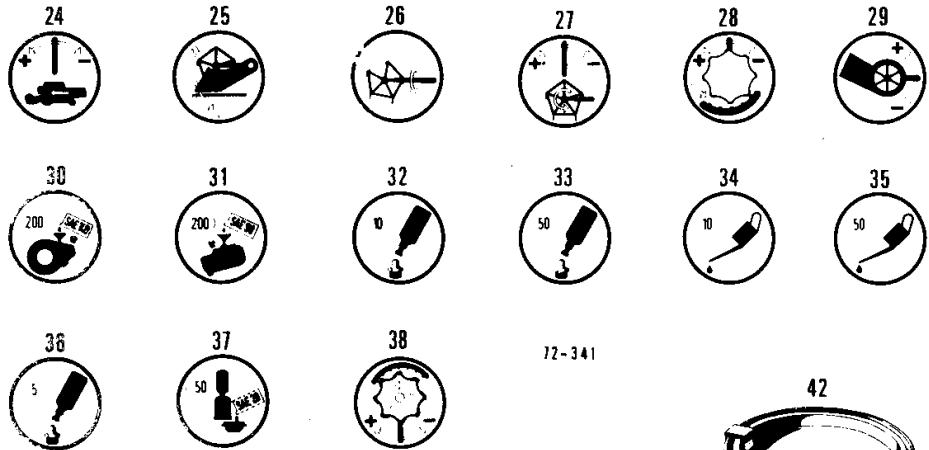
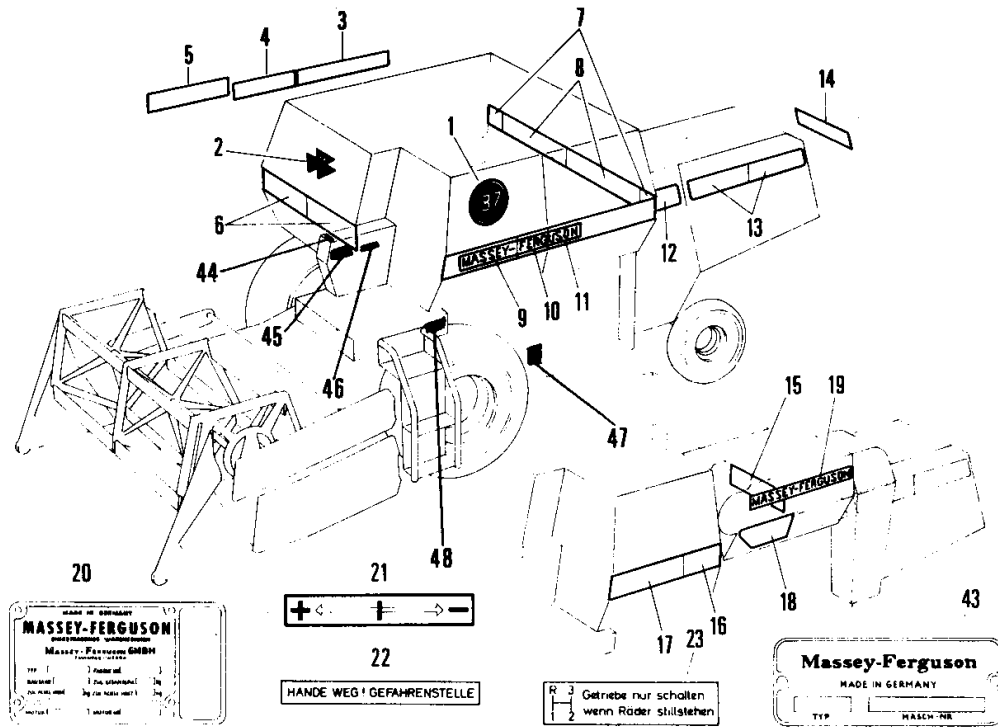
Item	Part Number	Qty	Description	Comments
1	1723497M91	1	Ladder	
	339556X1	2	Bolt Metric	
	339124X1	3	Screw Metric	
	390379X1	2	Bolt Metric	
	339374X1	4	Lock Washer	
2	339169X1	4	Nut Metric	
	1723575M91	1	Tube	
	390379X1	1	Bolt Metric	
	339451X1	3	Screw Metric	
3	1723540M1	1	Cowl	
	391074X1	2	Screw Metric	
	339375X1	2	Lock Washer	
	339030X1	2	Nut Metric	
4	390379X1	1	Bolt Metric	
	1723505M94	1	Cowl	
	339761X1	1	Screw Metric	
	339374X1	1	Lock Washer	
5	339169X1	1	Nut Metric	
	1724161M91	1	Guard	
	339123X1	3	Screw Metric	
	391166X1	3	Washer Metric	
6	339374X1	3	Lock Washer	
	339169X1	1	Nut Metric	
	339761X1	1	Screw Metric	
7	1723541M1	1	Cowl	
	1723510M91	1	Cowl	
8	339124X1	3	Screw Metric	
	339374X1	1	Lock Washer	
	339169X1	1	Nut Metric	
9	1723507M91	1	Cowl	
	390379X1	2	Bolt Metric	
10	1723523M91	1	Guard	
	339337X1	2	Screw Metric	
	339374X1	2	Lock Washer	
11	339169X1	2	Nut Metric	
	1441757X1	1	Screw Metric	
12	1723622M1	1	Knob	
	1723572M91	1	Channel	
	1723574M91	1	Channel	
	339228X1	1	Screw Metric	
	339374X1	4	Lock Washer	
	339124X1	4	Screw Metric	
	339374X1	1	Lock Washer	
13	339169X1	2	Nut Metric	
	1723595M91	1	Cowl	
	1723562M91	1	Cowl	
	339124X1	2	Screw Metric	
	339374X1	2	Lock Washer	
	1723594M91	1	Cowl	(A)
	1723590M91	1	Channel	(B)
	1723592M91	1	Cowl	(A)
	1723587M91	1	Channel	(B)
	391074X1	6	Screw Metric	
14	339375X1	6	Lock Washer	
	339030X1	6	Nut Metric	
	339123X1	1	Screw Metric	
	339761X1	2	Screw Metric	
	339374X1	1	Lock Washer	
	339169X1	1	Nut Metric	
	391166X1	1	Washer Metric	
	1723568M91	1	Cowl	(A)
	1723565M91	1	Guard	(A-B)
	15	1723539M1	4	Cowl
390903X1		32	Screw Metric	
339375X1		32	Lock Washer	
339030X1		32	Nut Metric	
16	1723515M1	1	Cowl	
	1723517M91	1	Guard	
17	339230X1	2	Screw Metric	
	339375X1	2	Lock Washer	

ADDITIONAL GUARDS

Item	Part Number	Qty	Description	Comments
20	339030X1	2	Nut Metric	
	916177M91	1	Bearer	
	339761X1	2	Screw Metric	
	339123X1	2	Screw Metric	
	339374X1	4	Lock Washer	
	1723606M91	1	Stand	
	1441759X1	1	Clevis Pin	
21	339038X1	2	Pin	
	1721441M91	1	Fastener	
	1723609M91	1	Tie	
22	339761X1	1	Screw Metric	
	1722431M91	1	Guard	
23	1723616M1	2	Washer	
	1723533M91	1	Guard	
	339123X1	2	Screw Metric	

(A)  
8'  
(B)  
10'

DECALCOMANIES ET COULEURS  
 ABZIEHEILDER UND FARBE  
 TRANSFERS AND COLOUR



Imprimé en FRANCE

187

419 195 M5-Emission-1- X/75

TRANSFERS AND COLOUR

Item	Part Number	Qty	Description	Comments
1	418824M1	2	Decal	"187"
2	196220M1	1	Decal	"MF"
3	419117M1	1	Transfer	
4	419123M1	1	Transfer	
5	419118M1	1	Decal	
6	419121M1	2	Decal	
7	419119M1	2	Decal	
8	419120M1	2	Decal	
9	1721891M1	1	Transfer	
10	1721893M1	1	Transfer	
11	1721892M1	1	Transfer	
12	419126M1	1	Decal	Left Hand
	419125M1	1	Decal	Right Hand
13	419128M1	2	Decal	Left Hand
	419127M1	2	Decal	Right Hand
14	419129M1	1	Decal	
15	419182M1	1	Decal	(A)
16	419183M1	1	Decal	(A)
17	419184M1	1	Decal	(A)
18	419185M1	1	Decal	(A)
19	415698M1	1	Decal	(A)
20	917045M2	1	Plate	
	391349X1	4	Rivet	
21	418841M1	1	Decal	
22	410230M1	1	Decal	
23	418828X1	1	Transfer	(C)
	418829M1	1	Transfer	(D)
	418830M1	1	Transfer	(E)
24	1440129X1	1	Decal	
25	1440111X1	1	Decal	
26	1440108X1	1	Decal	
27	1440110X1	1	Decal	
28	1440112X1	1	Decal	
	1440107X1	1	Decal	
30	1440116X1	2	Decal	
31	1440113X1	2	Decal	
32	1440101X1	4	Decal	
33	1440102X1	4	Decal	
34	1440104X1	2	Decal	
35	1440105X1	2	Decal	
36	1440100X1	1	Decal	
34	1440119X1	1	Decal	
38	1440128X1	1	Decal	
39	328745M1	X	Spray	
40	411350M1	X	Red Cap	
	406188M1	X	Grey Primer Aer.	
41	411351M1	X	Red Cap	
	406189M1	X	Grey Primer Aer.	
42	411352M1	X	Red Cap	
	406190M1	X	Grey Primer Aer.	
43	408071M1	1	Nameplate	(B)
	391349X1	2	Rivet	
44	1724702M1	1	Decal	(A)
	1724705M1	1	Transfer	(B)
	1724706M1	1	Transfer	(C)
45	405349M2	1	Transfer	(A)
46	412964M1	1	Transfer	(A)
	412965M1	1	Transfer	(B)
	412966M1	1	Transfer	(C)
47	324306M2	1	Transfer	(A)
	324307M2	1	Decal	(B)
	324308M2	1	Transfer	(C)
48	324312M2	1	Decal	(A)
	324313M1	1	Decal	(B)
	324314M1	1	Transfer	(C)
				(A)
				DEUTSCH
				(B)
				ENGLISH
				(C)



**MASSEY FERGUSON**  
**MF 187 COMBINE - 419195**

**419195**

**TRANSFERS AND COLOUR**

**255**

Item	Part Number	Qty	Description	Comments
				FRENCH

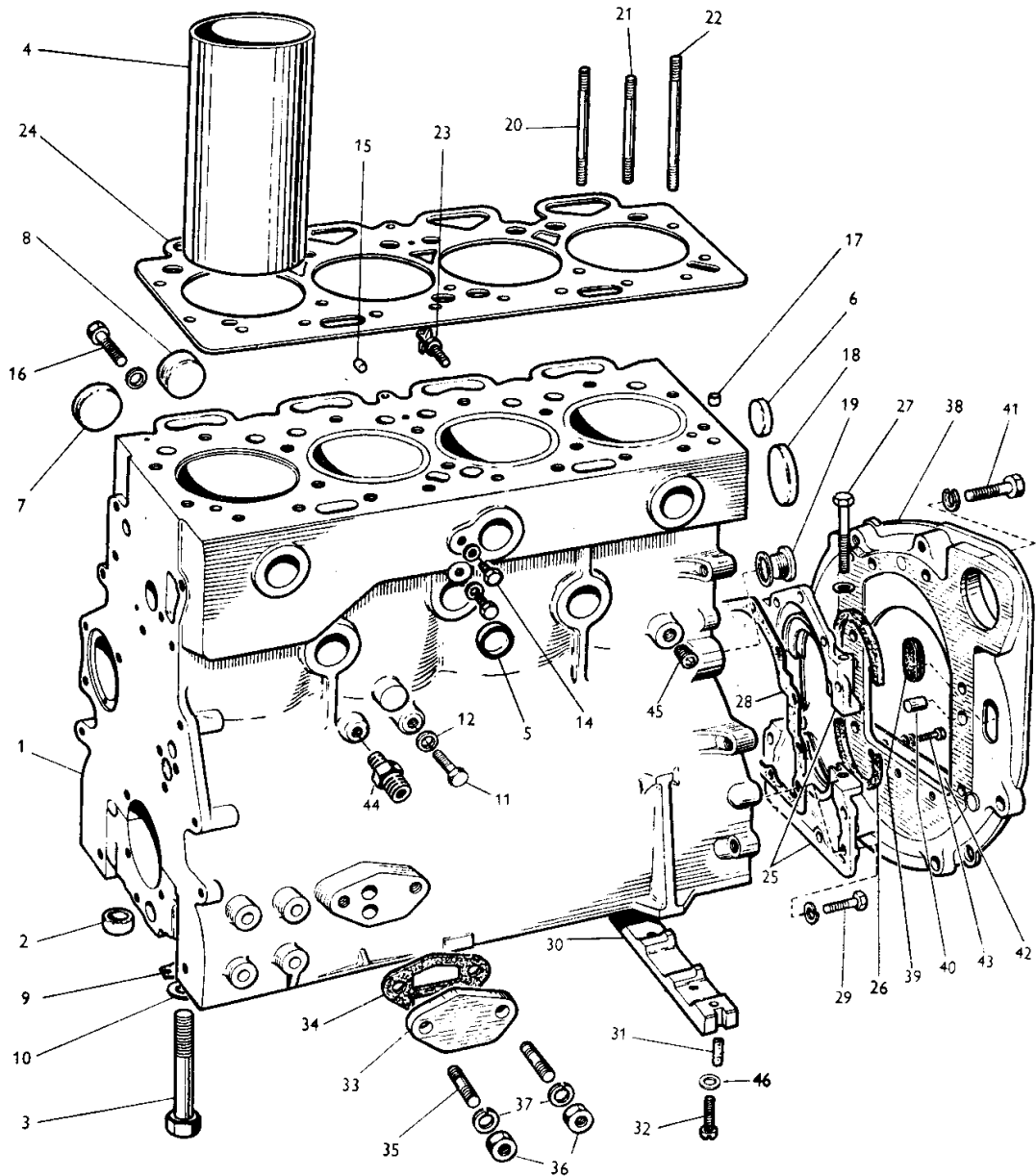
# MF 187 COMBINE ENGINE, A4.236 - 418847

2

KURBELGEHÄUSE

CYLINDER BLOCK

BLOC CYLINDRE



Perkins-Motor A4.236

418 847 M2 (Ausgabe 1) 7/71

**MASSEY FERGUSON****MF 187 COMBINE ENGINE, A4.236 - 418847**

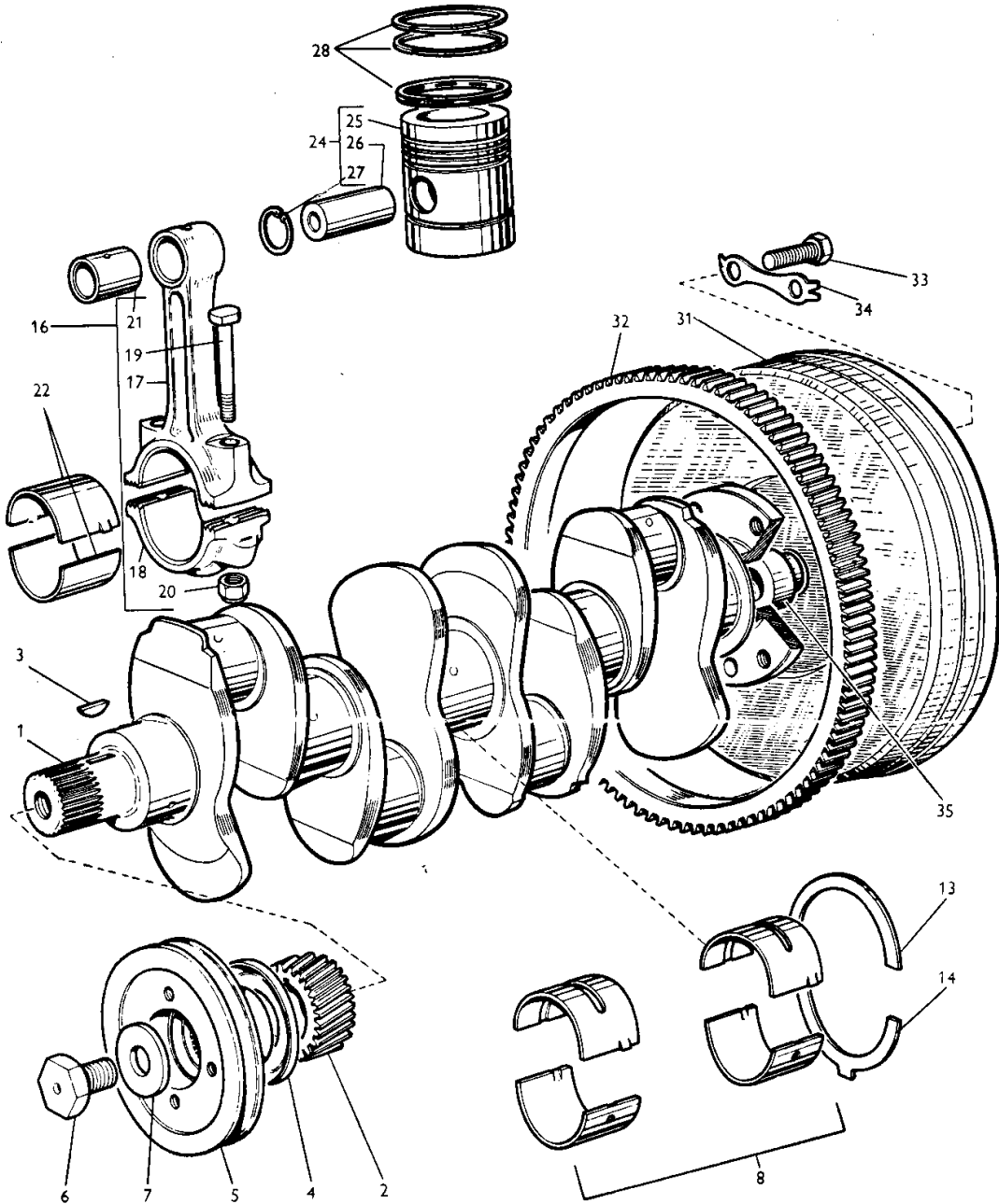
418847

**CYLINDER BLOCK**

2

Item	Part Number	Qty	Description	Comments
1	90062	1	Cylinder Block	
2	33142111	10	Thimble	
3	32166314	10	Bolt	
4	31358324	4	Liner	
5	0650563	6	Plug	Left Hand
6	0650563	2	Plug	
7	0650577	4	Plug	Left Hand
8	0650618	4	Plug	Right Hand
9	31733119	10	Tab Washer	
10	0760001	10	Shim	
11	0746451	1	Screw	
12	0920148	1	Washer	
14	32114116	1	Plug	Left Hand
	0920107	2	Washer	(A)
15	0650634	1	Plug	Right Hand
16	0746451	1	Screw	
	0920148	1	Washer	
17	0650574	1	Plug	
18	32416105	1	Plug	
19	0650582	1	Plug	
	0920130	1	Washer	
20	32526311	12	Stud	
21	32526312	8	Stud	
22	32526313	2	Stud	
23	2461104	1	Cock	
24	36812315	1	Gasket	
25	59537	1	Kit, Housing	
26	36883108	2	Seal	
27	0096238	2	Bolt	
	0920053	2	Washer	
28	36817136	1	Joint	
29	0746201	11	Screw	
	0920053	11	Washer	
30	36277831	1	Bridge Piece	
31	32811408	2	Joint	
32	2176369	2	Screw	
33	36232108	1	Plate	
34	36862517	1	Joint	
35	0826623	2	Stud	
36	33221315	2	Nut	
37	0920055	2	Washer	
38	37147642	1	Plate	(B)
39	37813113	1	Plug	(B)
40	32455119	2	Dowel	(B)
41	0746424	5	Bolt	(B)
	0096432	1	Screw	(B)
	0920054	6	Washer	(B)
42	36125305	1	Cover	(B)
43	0746253	3	Screw	(B)
	0920497	3	Washer	(B)
	0920053	3	Washer	(B)
44	0201396	1	Union	
45	0650593	1	Plug	
46	0920521	2	Washer	

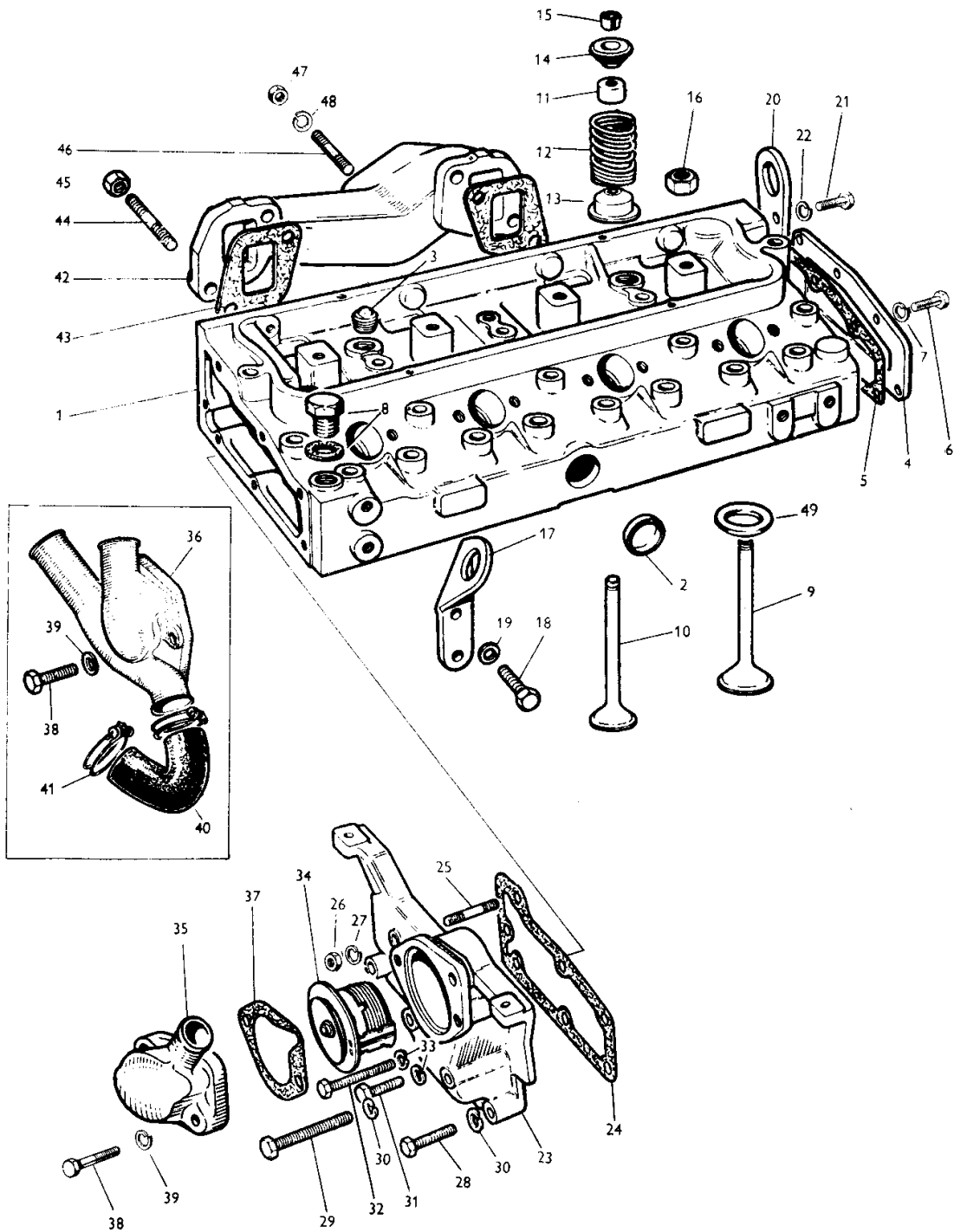
(A)  
EARLY VERSION  
(B)  
FOR NORMAL DRIVE ONLY



CRANKSHAFT

Item	Part Number	Qty	Description	Comments
1	84421	1	Shaft	(F)
	85821	1	Kit, Crankshaft	(G)
2	31171681	1	Gear, Crankshaft	
3	0500012	1	Woodruff Key	
4	33157523	1	Flange	
5	31148791	1	Pulley	
6	32162318	1	Screw	
7	33125124	1	Washer	
8	81558	1	Kit, Bearing	
	81558A	X	Kit, Bearing	0,010" U/S
	81558B	X	Kit, Bearing	0,020" U/S
	81558C	X	Kit, Bearing	0,030" U/S
13	31137175	2	Washer	(A, B)
	31137176	X	Washer	(A, B)
				0,007" O/S
	31137311	2	Washer	(A, C, D, E)
	31137312	X	Thrust Washer	(A, C, D, E)
				0,007" O/S
14	31137181	X	Washer	(A, B)
	31137182	X	Washer	(A, B)
				0,007" O/S
	31137321	2	Washer	(A, C, D, E)
	31137322	X	Thrust Washer	(A, C, D, E)
				0,007" O/S
16	84920	4	Conrod	
17		4	Rod	Not serviced, order 84920
18		4	Cap	Not serviced, order 84920
19	32762116	8	Bolt	
20	2211358	8	Nut	
21	31134123	4	Bush	
22	85042	1	Kit, Bearing	
	85042A	X	Kit, Bearing	0,010" U/S
	85042B	X	Kit, Bearing	0,020" U/S
	85042C	X	Kit, Bearing	0,030" U/S
24	82878	4	Kit, Piston	
25		4	Piston	Not serviced, order 82878
26		4	Pin	Not serviced, order 82878
27	0170002	8	Circlip	
28	81890	4	Kit, Ring	
24	82878C	X	Kit, Piston	0,030" O/S
25		X	Piston	Not serviced, order 82878C
26		X	Pin	Not serviced, order 82878C
27	0170002	X	Circlip	
28	81890C	4	Kit, Ring	0,030" O/S
31	414106M91	1	Handwheel	(D, F)
32	0410264	1	Ring	
33	0096835	6	Bolt	(A, E)
	32162203	6	Screw	(D)
34	0921062	3	Tab Washer	
35	33422123	1	Adaptor	

(A)  
 FOR COMBINE MF 87  
 (B)  
 Up to Serial or Engine Number 4812574  
 See Page - Reference Number 10  
 (C)  
 From Serial or Engine Number 4812575  
 See Page - Reference Number 10  
 (D)  
 FOR COMBINE MF 99  
 (E)  
 FOR COMBINE MF 187  
 (F)  
 FOR NORMAL DRIVE ONLY  
 (G)  
 FOR DIRECT DRIVE



CYLINDER HEAD

Item	Part Number	Qty	Description	Comments
1	86584	1	Cylinder Head	(C, D) INCL. REF. 8
	86588	1	Cylinder Head	(E) INCL. REF. 9-15
2	0650563	1	Plug	
3	0650540	2	Plug	(C, D)
	2431154	2	Plug	(E)
4	37553121	1	Cover	
5	36851409	1	Joint	
6	353517X1	6	Screw Unf	
7	0920053	6	Washer	
8	0650203	1	Plug	
	2411157	1	Washer	
9	31431641	4	Valve Inlet	
	31431401	X	Valve Inlet	0,003" O/S
	31431402	X	Valve Inlet	0,015" O/S
	31431403	X	Valve Inlet	0,030" O/S
10	31431104	4	Valve Exhaust	
	31431411	X	Valve Exhaust	0,003" O/S
	31431412	X	Valve Exhaust	0,015" O/S
	31431413	X	Valve Exhaust	0,030" O/S
11	33817402	4	Deflector	(A, C, D)
	33817405	8	Deflector	(B, C, D)
	33817117	8	Seal	(E)
12	0780272	8	Spring	
13	33123117	8	Washer	(A, C, D)
	33421408	8	Collar	(B, C, D)
	33421409	X	Deflector	(B, C, D) 0,003" O/S
	33421411	X	Deflector	(B, C, D) 0,015" O/S
	33421412	X	Deflector	(B, C, D) 0,030" O/S
	33123117	8	Washer	(E)
14	33423122	8	Cap	
15	33173108	8	Cotter	
16	33221316	22	Nut	
17	36475706	1	Plate	
18	0746453	2	Setscrew	
19	0920054	2	Washer	
20	36177111	1	Plate	
21	0746453	2	Setscrew	
22	0920054	2	Washer	
23	37762701	1	Body	
	2485791	1	Pin	
24	36853514	1	Joint	
25	0826467	1	Stud	
26	353431X1	1	Nut Unf	
27	0920054	1	Washer	
28	0096434	2	Bolt	
29	0096439	1	Bolt	
30	0920054	3	Washer	
31	0746255	2	Setscrew	
32	0096238	1	Bolt	
33	0920053	3	Washer	
34	2485659	1	Thermostat	
35	37735651	1	Connection	(C, E)
36	37755681	1	Connection	(D)
37	36862151	1	Joint	
38	0096433	2	Bolt	(C, E)
	0096437	2	Bolt	(D)
39	0920054	2	Washer	
40	34824409	1	Hose	(D)
41	2481820	2	Clip	(D)
42	37781321	1	Exhaust Manifold	
43	36862134	2	Joint	
44	0826439	4	Stud	
45	2211224	4	Nut	
46	0826404	3	Stud	
47	0576065	3	Nut	

**CYLINDER HEAD**

<b>Item</b>	<b>Part Number</b>	<b>Qty</b>	<b>Description</b>	<b>Comments</b>
48	0920005	3	Washer	
49	33125121	4	Insert	(E)
	33124425	4	Insert	(E)
				(A)
				Up to Serial or Engine Number 4805663
				See Page - Reference Number 10
				(B)
				From Serial or Engine Number 4805664
				See Page - Reference Number 10
				(C)
				FOR COMBINE MF 87
				(D)
				FOR COMBINE MF 99
				(E)
				FOR COMBINE MF 187

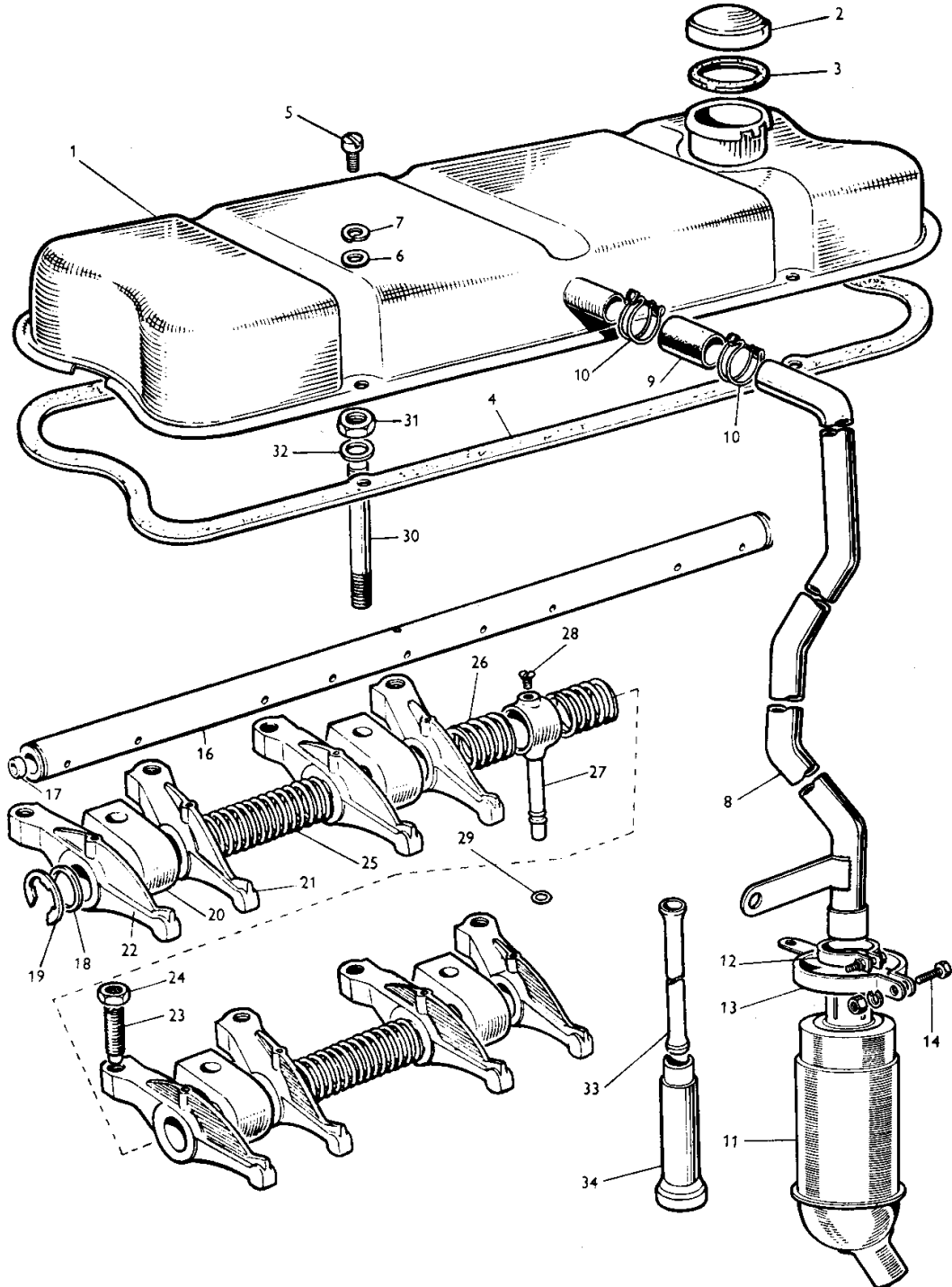


12

ZYLINDERKOPFDECKEL  
UND KIPPEBELWELLE

CYLINDER HEAD COVER  
AND ROCKER SHAFT

COUVRE-CULASSE  
ET RAMPE CULBUTEURS



Perkins-Motor A4.236

418 847 M2 (Ausgabe 1) 7/71

CYLINDER HEAD COVER AND ROCKER SHAFT

Item	Part Number	Qty	Description	Comments
1	37188144	1	Cyl.Head Cover	(A)
	37188549	1	Cyl.Head Cover	(B)
2	2487845	1	Cap	(A)
3	24870001	1	Joint	(A)
4	36811122	1	Joint	
5	2174018	4	Screw	
6	0920002	4	Washer	
7	0920052	4	Washer	
8	35736141	1	Pipe	(D)
	35732545	1	Pipe,Breather	(E)
9	0202058	1	Hose	
10	0180103	2	Clip	
11	2652842	1	Body	(F)
12	0180063	1	Clip	(D)
	0180061	1	Clip	(E)
13	37337115	1	Clip	(D)
14	0746054	1	Screw	(D)
	0920052	1	Washer	(D)
	0576001	1	Nut	(D)
	1641009M1	1	Bracket	(C)
	1641007M1	1	Clip	(C)
16	83450	1	Shaft	
17	0650507	2	Plug	
18	33117415	2	Washer	
19	0170151	2	Circlip	
20	37521331	4	Bracket	
21	37371281	4	Lever	
22	37371271	4	Lever	
23	0720579	8	Screw	
24	353430X1	8	Nut Unf	
25	31744123	2	Spring	
26	31743108	2	Spring	
27	35511109	1	Connection	
28	0726504	1	Setscrew	
29	2415801	1	O Ring	
30	0826628	4	Stud	
31	2211284	4	Nut	
32	0920006	4	Washer	
33	31434307	8	Pushrod	
34	31434162	8	Tappet	

(A)

FOR COMBINE MF 87  
FOR COMBINE MF 187

(B)

FOR COMBINE MF 99

(C)

From Serial or Engine Number 4V14301

(D)

Up to Serial or Engine Number 236UA3917N, 4V14300

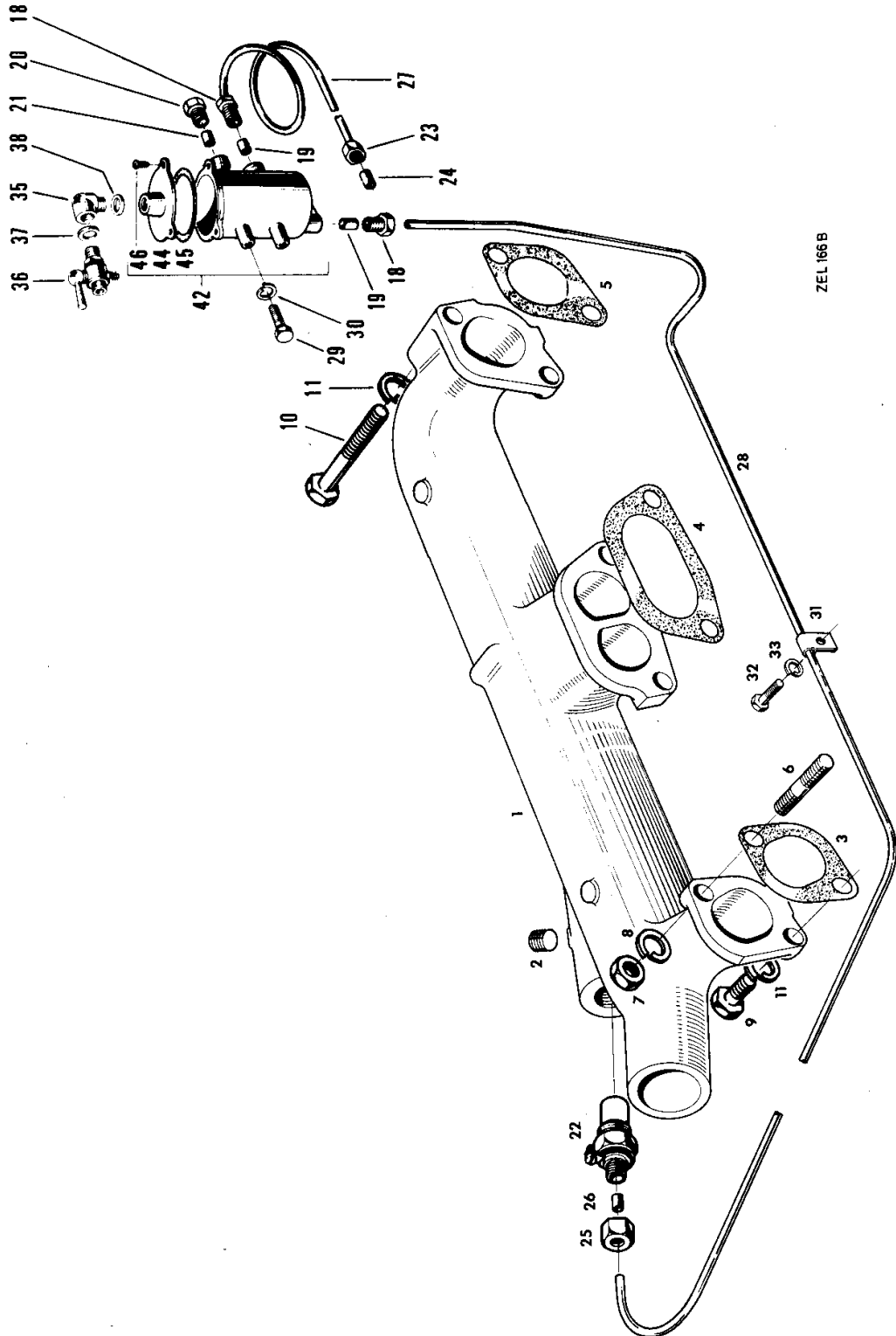
(E)

From Serial or Engine Number 236UA3918N, 4V14301

(F)

Not serviced, order 35732545, 0180061

Up to Serial or Engine Number 236UA3917N



AIR INDUCTION

Item	Part Number	Qty	Description	Comments
1	37787651	1	Manifold	
2	0650204	1	Plug	
3	36862132	1	Joint	
4	36862133	1	Joint	
5	36862131	1	Joint	
6	0826481	1	Stud	
7	353431X1	1	Nut Unf	
8	0920054	1	Washer	
9	0746424	4	Bolt	
10	0096439	1	Bolt	
11	0920054	5	Washer	

FOR MF87 AND MF187 COMBINES ONLY

COLD STARTING FUEL OIL EQUIPM. FOR MF99 COMBINE SEE COMBINE PARTS BOOK

18	33532127	2	Nut	
19	33811112	2	Olive	
20	33532128	1	Nut	
21	33811113	1	Olive	
22	1711644M1	1	Heater	
23	890340M1	1	Nut	
24	33811112	1	Olive	
25	890340M1	1	Nut	
26	33811112	1	Olive	
27	414132M1	1	Tube	(A)
	418250M1	1	Pipe	(B)
28	414594M1	1	Tube	(A)
	418251M1	1	Pipe	(B)
29	353501X1	2	Screw Unf	
30	339714X1	2	Washer	
31	327132M1	1	Clip	
32	353526X1	1	Bolt Unf	
33	353434X1	1	Lock Washer	
35	37732531	1	Elbow	
36	31441	1	Cock	
37	0920148	1	Washer	
38	2413018	1	Washer	
42	41374425	1	Container	
44	37416501	1	Cap	
45	0490687	1	Joint	
46	2152173	3	Screw	

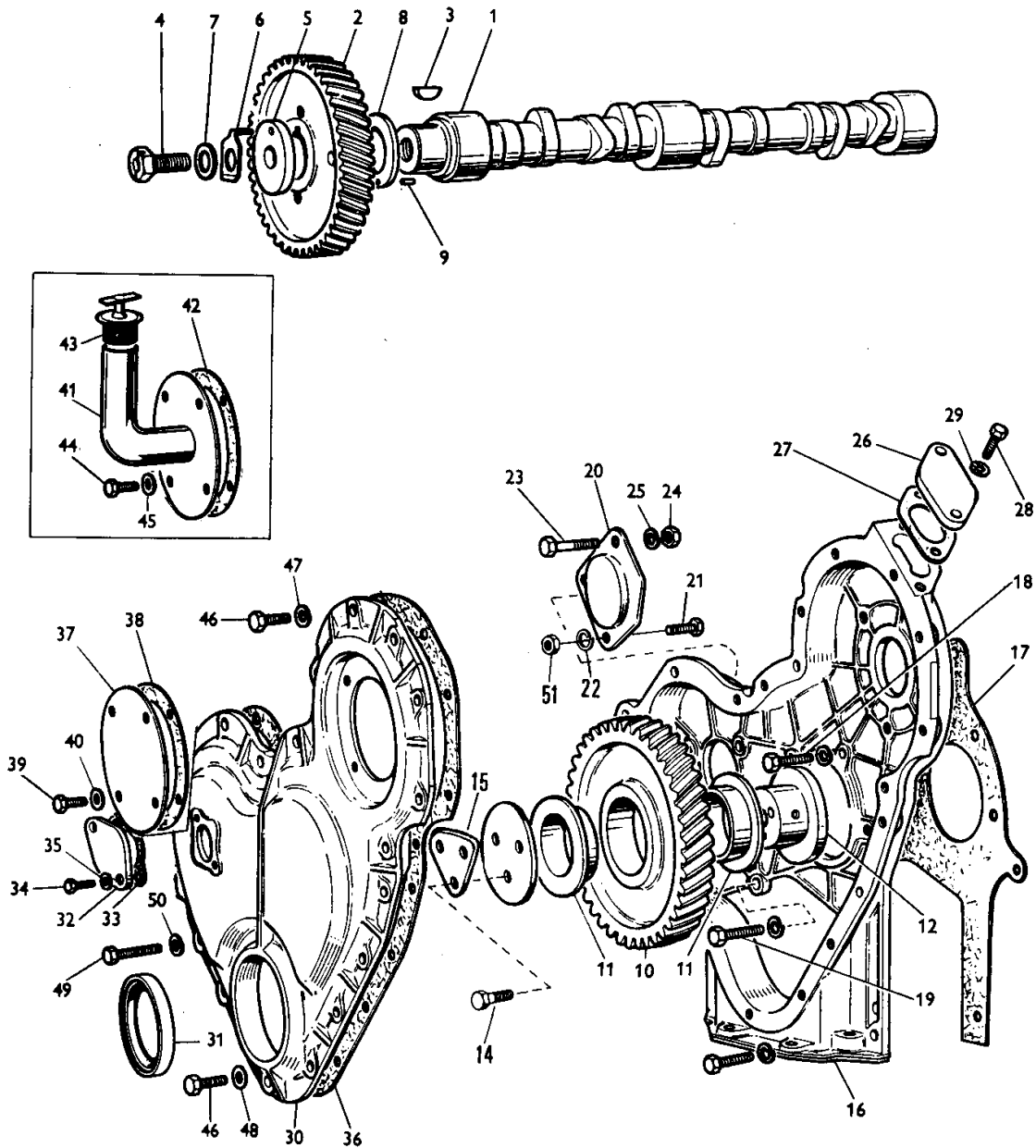
(A)  
FOR COMBINE MF 87  
(B)  
FOR COMBINE MF 187

16

STEUERUNG

TIMING GEAR

DISTRIBUTION



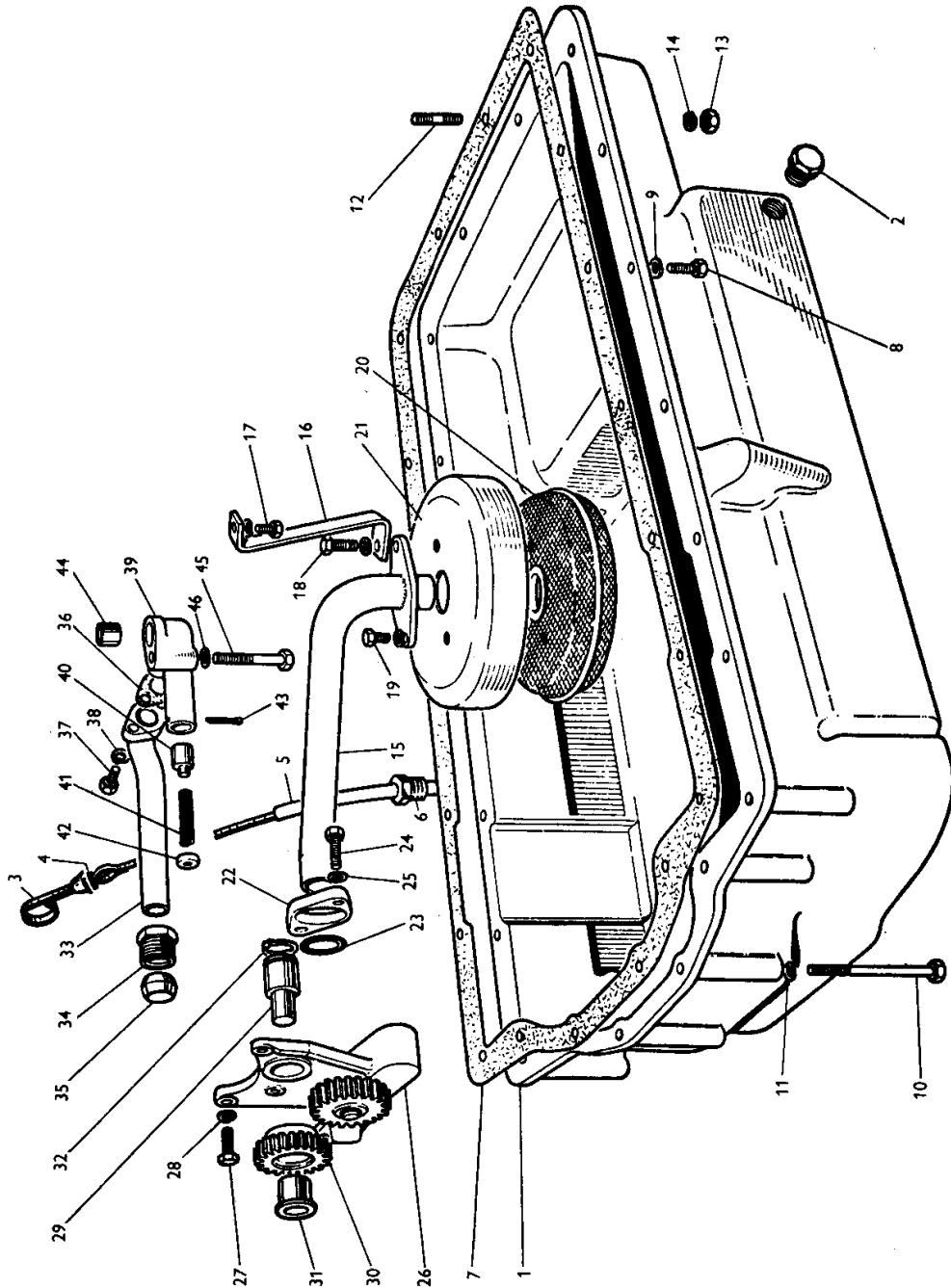
Perkins-Motor A4.236

418 847 M2 (Ausgabe 1) 7/71

TIMING GEAR

Item	Part Number	Qty	Description	Comments
1	31415292	1	Camshaft	
2	31171353	1	Gear	
3	0500012	1	Woodruff Key	
4	2182122	1	Setscrew	
5	33153128	1	Washer	
6	31733121	1	Washer	
7	33115408	1	Washer	
8	33153121	1	Washer	
9	0610844	1	Dowel	
10	41115023	1	Idler	
11	0050345	2	Bush	
12	0450035	1	Hub	
13	0941082	1	Plate	
14	0096439	3	Bolt	
15	0921246	1	Washer	
16	37161642	1	Housing	
17	36814123	1	Joint	
18	0746255	8	Setscrew	
	0920053	8	Washer	
19	0746201	1	Screw	
	0920053	1	Washer	
20	37556148	1	Plate	
21	0748505	1	Screw	
22	0920054	1	Washer	
23	2232151	2	Screw	
24	2238153	2	Nut	
25	0920054	2	Washer	
26	36235118	1	Plate	
27	36862138	1	Joint	
28	0746253	2	Screw	
29	0920107	2	Washer	
30	37166401	1	Cover	
31	2414325	1	Seal	
32	36171121	1	Plate	
33	36833119	1	Joint	
34	0746051	2	Screw	
35	2411151	2	Washer	
36	36813137	1	Joint	
37	32413415	1	Cover	(A, C)
38	33825419	1	Joint	(A, C)
39	0746252	4	Screw	(A, C)
40	0920107	4	Washer	(A, C)
41	35712121	1	Connection	(B)
42	33825419	1	Joint	(B)
43	2487863	1	Cap	(B)
44	0746253	4	Screw	(B)
45	0920107	4	Washer	(B)
46	0746255	13	Setscrew	(A, B)
	0746255	14	Setscrew	(C)
47	0920053	9	Washer	(A, B)
	0920053	14	Washer	(C)
48	0920107	4	Washer	
49	0096238	4	Bolt	
50	0920053	4	Washer	
51	2238153	1	Nut	

(A)  
FOR COMBINE MF 87  
(B)  
FOR COMBINE MF 99  
(C)  
FOR COMBINE MF 187



LUBRICATING OIL SYSTEM

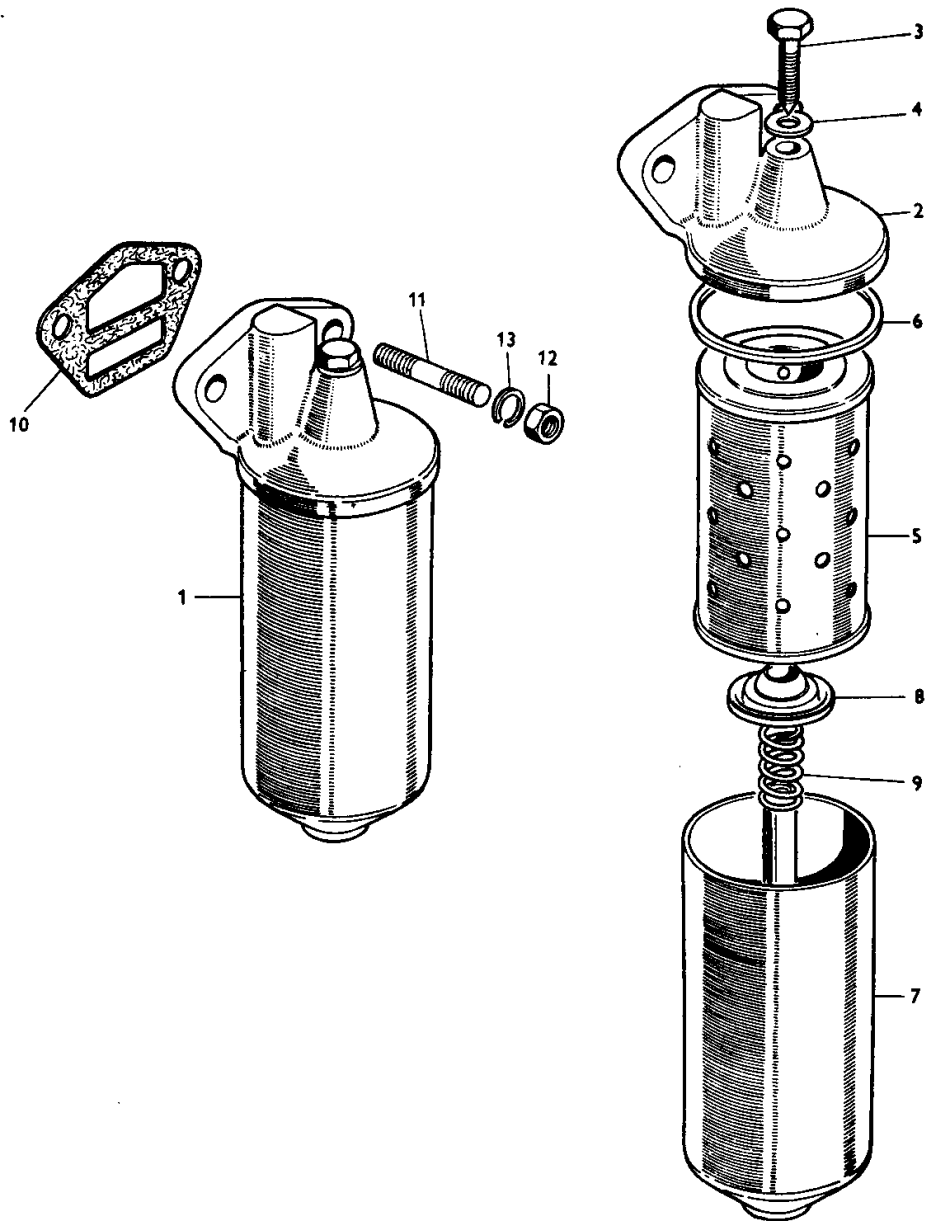
Item	Part Number	Qty	Description	Comments
1	37171653	1	Sump	* (A, C)
	37171655	1	Sump	** (A, B, C)
	32161317	1	Plug	**
	0921167	1	Washer	**
2	0650540	2	Plug	
3	31787435	1	Dipstick	
4	33812108	1	Washer	
5	35772624	1	Tube	
6	33533103	1	Nut	
7	36815705	1	Joint	
8	0746255	12	Setscrew	
9	0920053	12	Washer	
10	0096240	6	Bolt	
11	0920053	6	Washer	
12	0826214	2	Stud	
13	353916X1	2	Nut Unf	
14	0920053	2	Washer	
15	35726106	1	Pipe	(E)
	35727508	1	Pipe	(F)
16	36535412	1	Support	(E)
	36535415	1	Clip	(F)
17	0746252	1	Screw	(E)
	0746253	1	Screw	(F)
	0920053	1	Washer	
18	0746052	1	Bolt	
	0920052	1	Washer	
19	0746053	1	Bolt	
	0920052	1	Washer	
20	37725443	1	Strainer	
21	33157521	1	Shroud	
22	36174115	1	Flange	
23	0640144	1	Seal	
24	353517X1	2	Screw Unf	
25	0920053	2	Washer	
26	41314054	1	Pump	
27	0746255	3	Setscrew	
28	0920053	3	Washer	
29	32716117	1	Shaft	
30	81773	1	Gear	
31	2511432	1	Bush	
32	2724402	1	Circlip	
33	35714103	1	Pipe	(A, C)
	35714104	1	Pipe	(B)
34	33532121	1	Union	
35	0560244	1	Olive	
36	0490355	1	Joint	
37	0746053	2	Bolt	
38	0920052	2	Washer	
	41371077	1	Relief Valve	(A, C)
	41371031	1	Housing	(B)
39	37755652	1	Housing	(A, C)
		1	Housing	(B)
				Not serviced, order 41371031
40	32712715	1	Plunger	
41	31742128	1	Spring	(D)
42	33157122	1	Cap	
43	0610012	1	Pin	
44	0870001	1	Thimble	
45	0096438	1	Bolt	
46	0920054	1	Washer	

(A)  
 FOR COMBINE MF 87  
 (B)  
 FOR COMBINE MF 99  
 (C)  
 FOR COMBINE MF 187  
 (D)  
 Not serviced, order 32712715  
 Up to Serial or Engine Number \* 236UA4002  
 See Page - Reference Number 10



**LUBRICATING OIL SYSTEM**

Item	Part Number	Qty	Description	Comments
				(E) Up to Serial or Engine Number 236F14899
				(F) From Serial or Engine Number 236F14900



**LUBRICATING OIL FILTER**

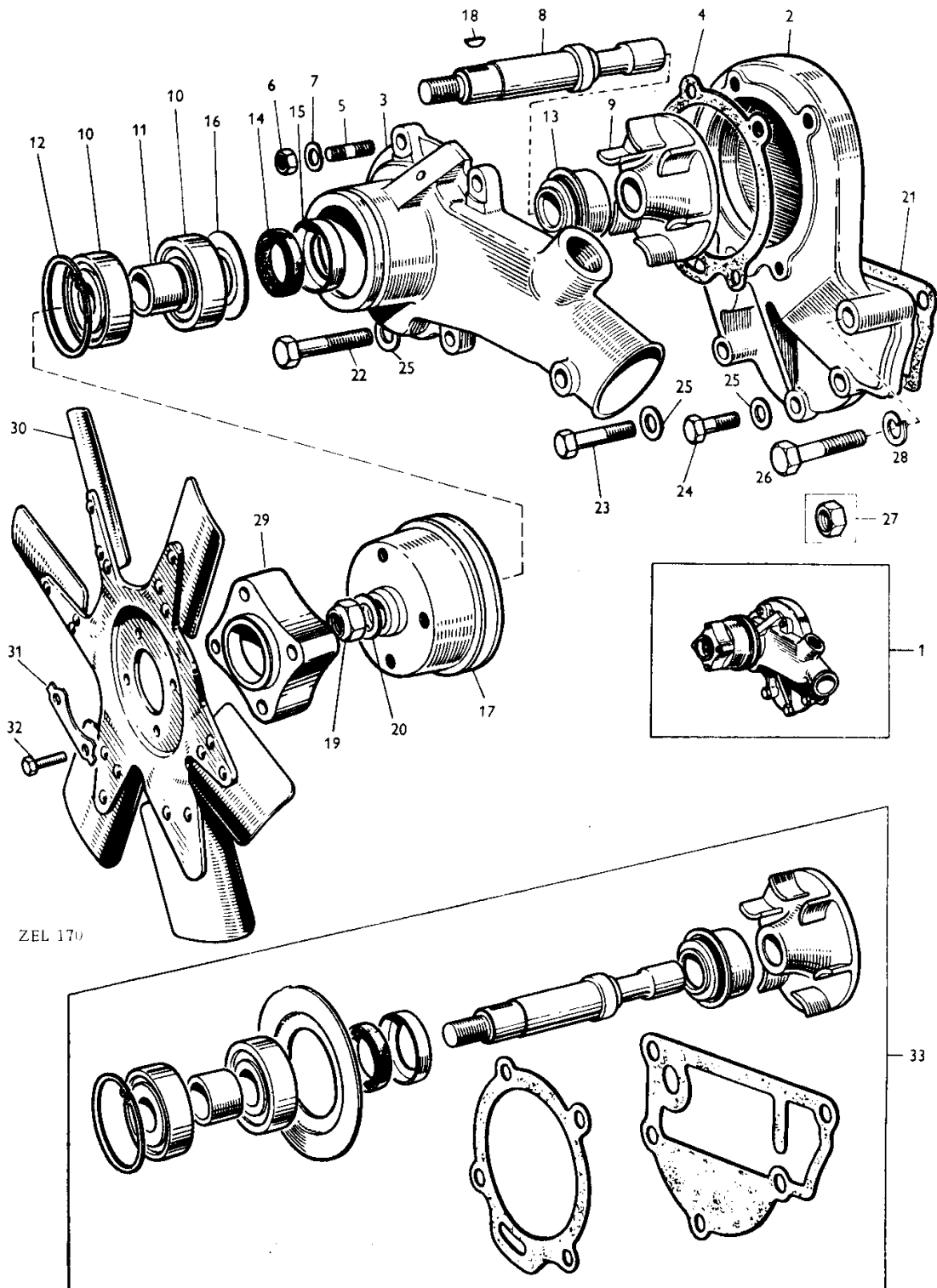
<b>Item</b>	<b>Part Number</b>	<b>Qty</b>	<b>Description</b>
1	2654154	1	Oil Filter
2	26540123	1	Filter Head
3	0095292	1	Bolt
4	0921079	1	Washer
5	26560090	1	Element
6	0490520	1	Joint
7	26540127	1	Container
8	0941138	1	Washer
9	26540022	1	Spring
10	36862517	1	Joint
11	0826608	2	Stud
12	33221315	2	Nut
13	0920055	2	Washer

22

WASSERPUMPE

WATER PUMP

POMPE A EAU



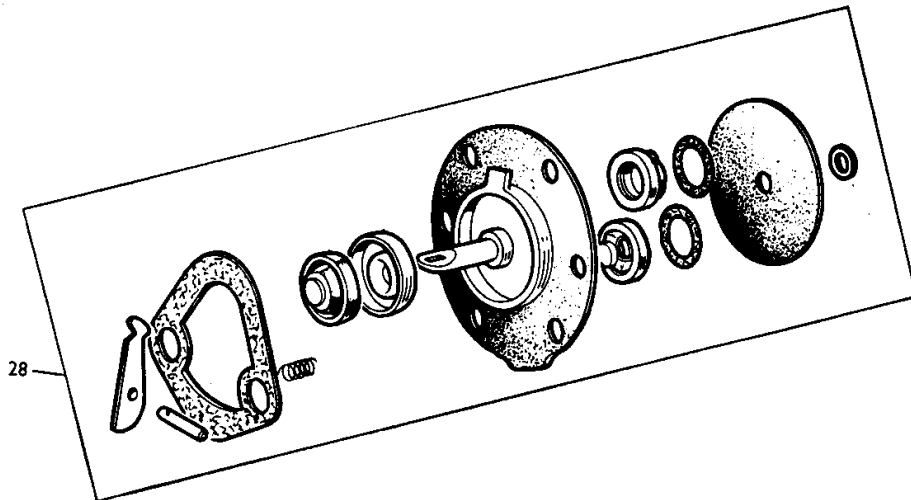
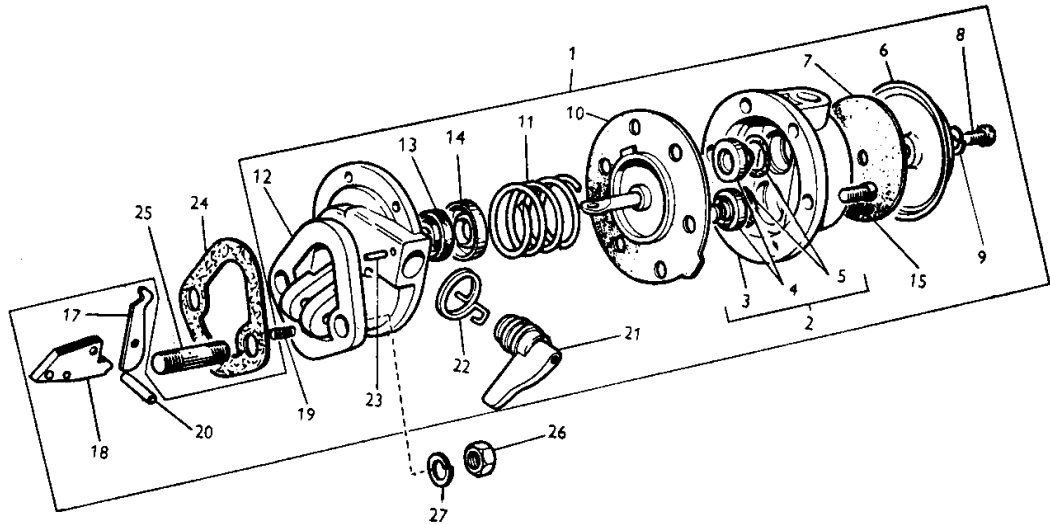
Perkins-Motor A4.236

418 847 M2 (Ausgabe 1) 7/71

WATER PUMP

Item	Part Number	Qty	Description	Comments
1	41312323	1	Pump	(D)
2	37711711	1	Body	(D)
3	37711631	1	Body	
4	36866721	1	Joint	
5	0826259	4	Nut	
6	353916X1	4	Nut Unf	
7	0920053	4	Washer	
8	32764119	1	Shaft	
9	37447602	1	Impeller	
10	391107X1	2	Bearing Assy	
11	33143112	1	Spacer	
12	0170040	1	Circlip	
13	2415209	1	Seal	
14	33813313	1	Seal	
15	33157108	1	Retainer	
16	33157109	1	Flange	
17	31146952	1	Pulley	
18	0500006	1	Woodruff Key	
19	2211306	1	Nut	
20	0920007	1	Washer	
21	36867128	1	Joint	(E)
	36867138	1	Joint	(F)
22	0096439	1	Bolt	
23	0096434	2	Bolt	
24	0746454	1	Setscrew	(E)
25	0920054	3	Washer	
26	0096440	1	Screw	
27	353431X1	1	Nut Unf	(A)
28	0920054	1	Washer	
29	0360027	1	Extension	(B)
30	0360084	1	Fan	(C)
	904031M91	1	Fan	(B)
31	0920645	2	Washer	
32	353517X1	4	Screw Unf	(C)
	353516X1	4	Screw Unf	(B)
33	85800	X	Kit, Repair	

(A)  
 FOR STUD ONLY  
 (B)  
 FOR COMBINE MF 99  
 (C)  
 FOR COMBINE MF 87  
 FOR COMBINE MF 187  
 (D)  
 Not serviced, order 36867138  
 Up to Serial or Engine Number 4822572 SEE PAGE 10  
 (E)  
 Up to Serial or Engine Number 4822572 SEE PAGE 10  
 (F)  
 From Serial or Engine Number 4822573 SEE PAGE 10



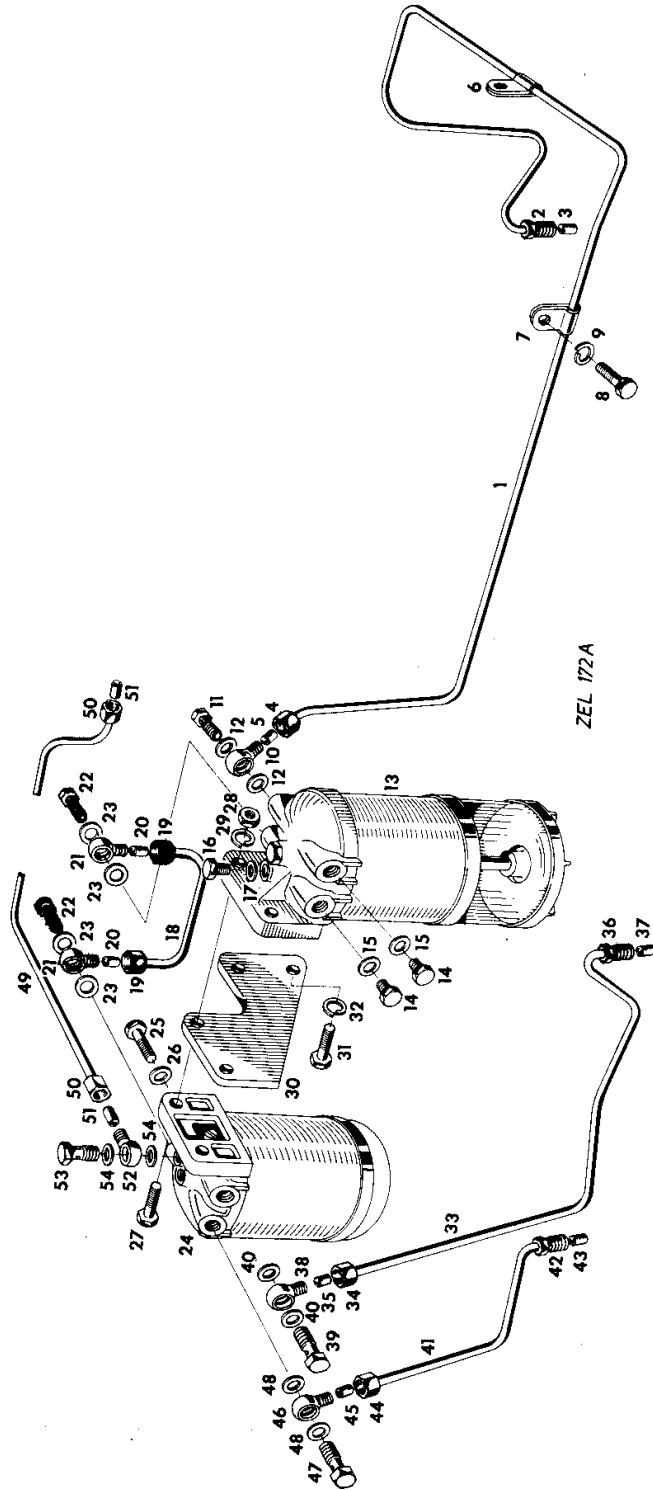
FUEL LIFT PUMP

Item	Part Number	Qty	Description	Comments
1	2641465	1	Pump	
2	26410028	1	Body Pump	
3		1	Housing	
4	32517	2	Valve	
5	0490627	2	Joint	
6	26410026	1	Cover	
7	26410027	1	Orifice Plate	
8	26410048	1	Screw	
9	26410025	1	Washer	
10	26410088	1	Orifice Plate	(A)
1	26410001	1	Spring	
12	26410077	1	Body Pump	
13	0730128	1	Joint	
14	0997129	1	Retainer	
15	0720721	6	Screw	
17	26410074	1	Lever	(B)
18	26410031	1	Lever	
19	0780241	1	Spring	
20	26410032	1	Clevis Pin	
21	26410034	1	Lever	
22	26410035	1	Spring	
23	26410036	1	Clevis Pin	
24	36862166	1	Joint	
25	0826208	2	Stud	
26	33221115	2	Nut	
27	0920053	2	Washer	
28	26410050	X	Kit, Repair	INCL. REFS. 4, 5, 7, 9, 10, 13, 14, 17, 19, 20 AND 24 (A) Not serviced, order 26410074 Up to Serial or Engine Number 4821078 SEE PAGE 10 (B) Not serviced, order 26410088 Up to Serial or Engine Number 4821078 SEE PAGE 10

KRAFTSTOFFILTER UND  
-LEITUNGEN  
für Mährescher MF 87 und 187

FUEL FILTERS  
AND PIPES  
for Combines MF 87 and 187

FILTRES A CARBURANT  
ET TUYAUTERIES  
pour M.B. MF 87 et 187



Perkins-Motor A4.236

418 847 M2 (Ausgabe 1) 7/71



Item	Part Number	Qty	Description	Comments
				FOR COMBINE MF 87 FOR COMBINE MF 187
1	41228006	1	Pipe	INCL. 33532128, 33811113 AND REF. 6 AND 7
				(B)
2	376029X1	1	Nut Unf	(C)
	33532128	1	Nut	(D)
3	0566003	1	Olive	(C)
	33811113	1	Olive	(D)
4	0576112	1	Nut	(C)
	33225413	1	Union Nut	(D)
5	0566003	1	Olive	(C)
	33811115	1	Olive	(D)
6	0180003	1	Clip	
7	0180008	1	Clip	
8	0746451	1	Screw	
9	0920054	1	Washer	
10	0201091	1	Connection	
11	32184427	1	Bolt	
12	0920154	2	Washer	
13	1714267M91	1	Filter	(A)
14	0650204	2	Plug	
15	0920112	2	Washer	
16	32161113	1	Plug	
17	0920148	1	Washer	
18	34237308	1	Pipe	(B) 1. -2. FILTER
19	0576112	2	Nut	(C)
	33225413	2	Union Nut	(D)
20	0566003	2	Olive	(C)
	33811115	2	Olive	(D)
21	0201091	2	Connection	
22	32184427	2	Bolt	
23	0920154	4	Washer	
24	1714268M91	1	Filter	(A)
25	0650204	1	Plug	
26	0920112	1	Washer	
27	0096434	2	Bolt	
28	353431X1	2	Nut Unf	
29	0920054	2	Washer	
30	36217109	1	Bracket	
31	0746452	2	Setscrew	
32	0920054	2	Washer	
33	35842003	1	Pipe,Fuel	(B) INCL. 33532128 AND 33811113
34	0576112	1	Nut	(C)
	33532128	1	Nut	(D)
35	0566003	1	Olive	(C)
	33811113	1	Olive	(D)
36	376029X1	1	Nut Unf	(C)
	33225413	1	Union Nut	(D)
37	0566003	1	Olive	(C)
	33811115	1	Olive	(D)
38	0201091	1	Connection	
39	32184427	1	Bolt	
40	0920154	2	Washer	
41	35842002	1	Pipe	(B) INCL. 33532128 AND 33811113
42	376029X1	2	Nut Unf	(C)
	33532128	1	Nut	(D)
43	0566003	1	Olive	(C)
	33811113	1	Olive	(D)
44	0576112	1	Nut	(C)
	33225413	1	Union Nut	(D)
45	0566003	1	Olive	(C)
	33811115	1	Olive	(D)
46	0201091	1	Connection	

**MASSEY FERGUSON****MF 187 COMBINE ENGINE, A4.236 - 418847**

418847

**FUEL FILTERS AND PIPES - FOR COMBINE MF 87**

26

Item	Part Number	Qty	Description	Comments
47	32184427	1	Bolt	
48	0920154	2	Washer	
49	34416134	1	Pipe	
50	890340M1	2	Nut	(C)
51	0566002	2	Olive	(C)
	33811112	2	Olive	(D)
52	0201398	1	Connection	
53	0095344	1	Bolt	
54	0920146	2	Washer	

(A)

See Page - Reference Number 33

(B)

Not serviced, order 33225413, 33811115

Up to Serial or Engine Number 236UA4179

(C)

Up to Serial or Engine Number 236UA4179

See Page - Reference Number 10

(D)

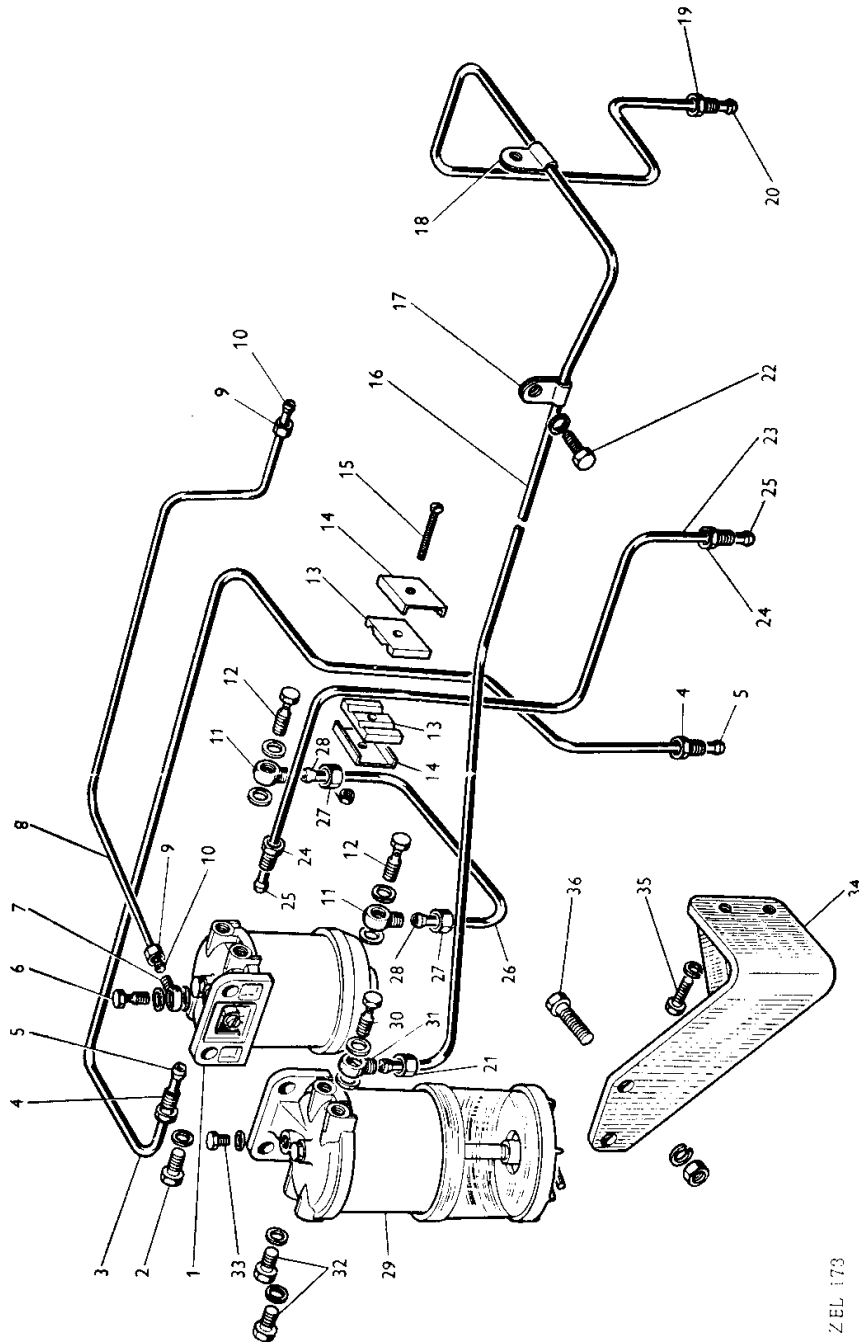
From Serial or Engine Number 236UA4180

See Page - Reference Number 10

KRAFTSTOFFILTER UND  
-LEITUNGEN  
für Mähdrescher MF 99

FUEL FILTERS  
AND PIPES  
for Combine MF 99

FILTRES A CARBURANT  
ET TUYAUTERIES  
pour Moissonneuse-Batteuse MF 99



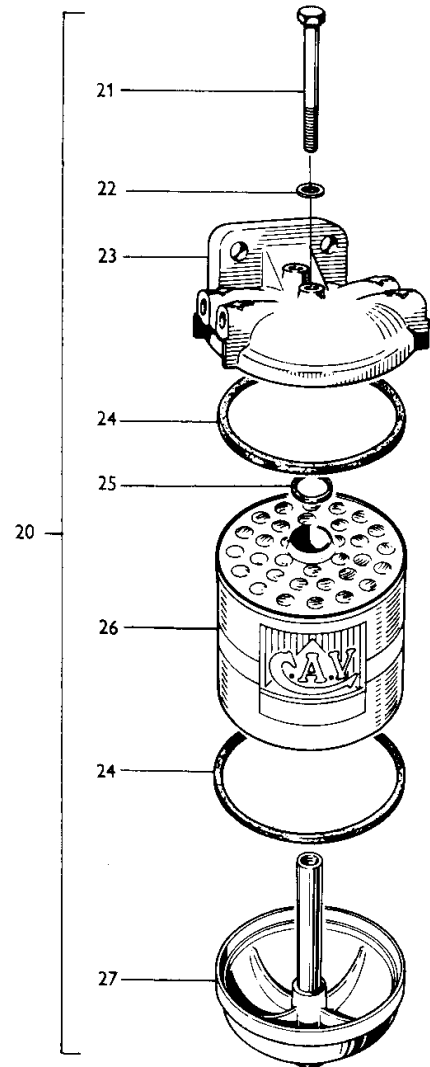
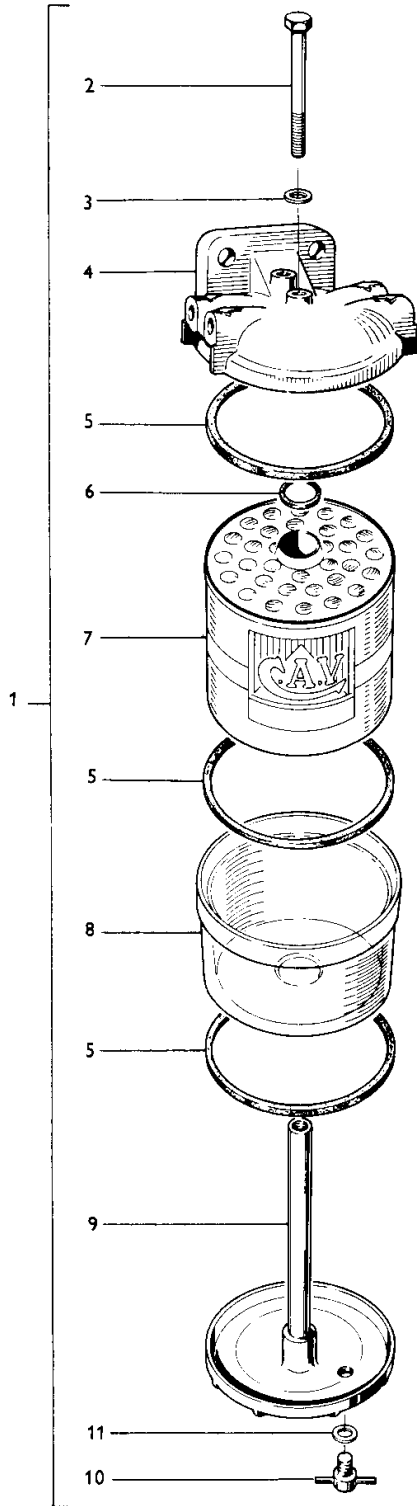
Perkins-Motor A4.236

418 847 M2 (Ausgabe 1) 7/71

Item	Part Number	Qty	Description	Comments
				FOR COMBINE MF 99
1	1714268M91	1	Filter	(A)
2	0650204	1	Plug	
	0920112	1	Washer	
3	35847001	1	Tube	2. FILTER
4	376029X1	2	Nut Unf	
5	0566003	2	Olive	
6	0095344	1	Bolt	
	0920146	2	Washer	
7	0201398	1	Connection	
8	35352168	1	Tube	
9	890340M1	2	Nut	
10	0566002	2	Olive	
11	0201091	2	Connection	
12	32184427	2	Bolt	
	0920154	4	Washer	
13	36844116	2	Bridle	
14	36511123	2	Plate	
15	0726260	1	Bolt	
	2211401	1	Nut	
16	41225009	1	Pipe	
17	0180008	1	Clip	
18	0180003	1	Clip	
19	376029X1	1	Nut Unf	
20	0566003	2	Olive	
21	0576112	1	Nut	
22	0746451	1	Screw	
	0920054	1	Washer	
23	35846001	1	Pipe	
24	376029X1	2	Nut Unf	
25	0566003	2	Olive	
26	35351466	1	Pipe	
27	0576112	2	Nut	
28	0566003	2	Olive	
29	1714267M91	1	Filter	(A)
30	32184427	1	Bolt	
	0920154	2	Washer	
31	0201091	1	Connection	
32	0650204	2	Plug	
	0920112	2	Washer	
33	32161113	1	Plug	
	0920115	1	Washer	
34	38123331	1	Bracket	
35	0746452	2	Setscrew	
	0920054	2	Washer	
36	0096433	2	Bolt	
	0920054	2	Washer	
	353431X1	2	Nut Unf	

(A)

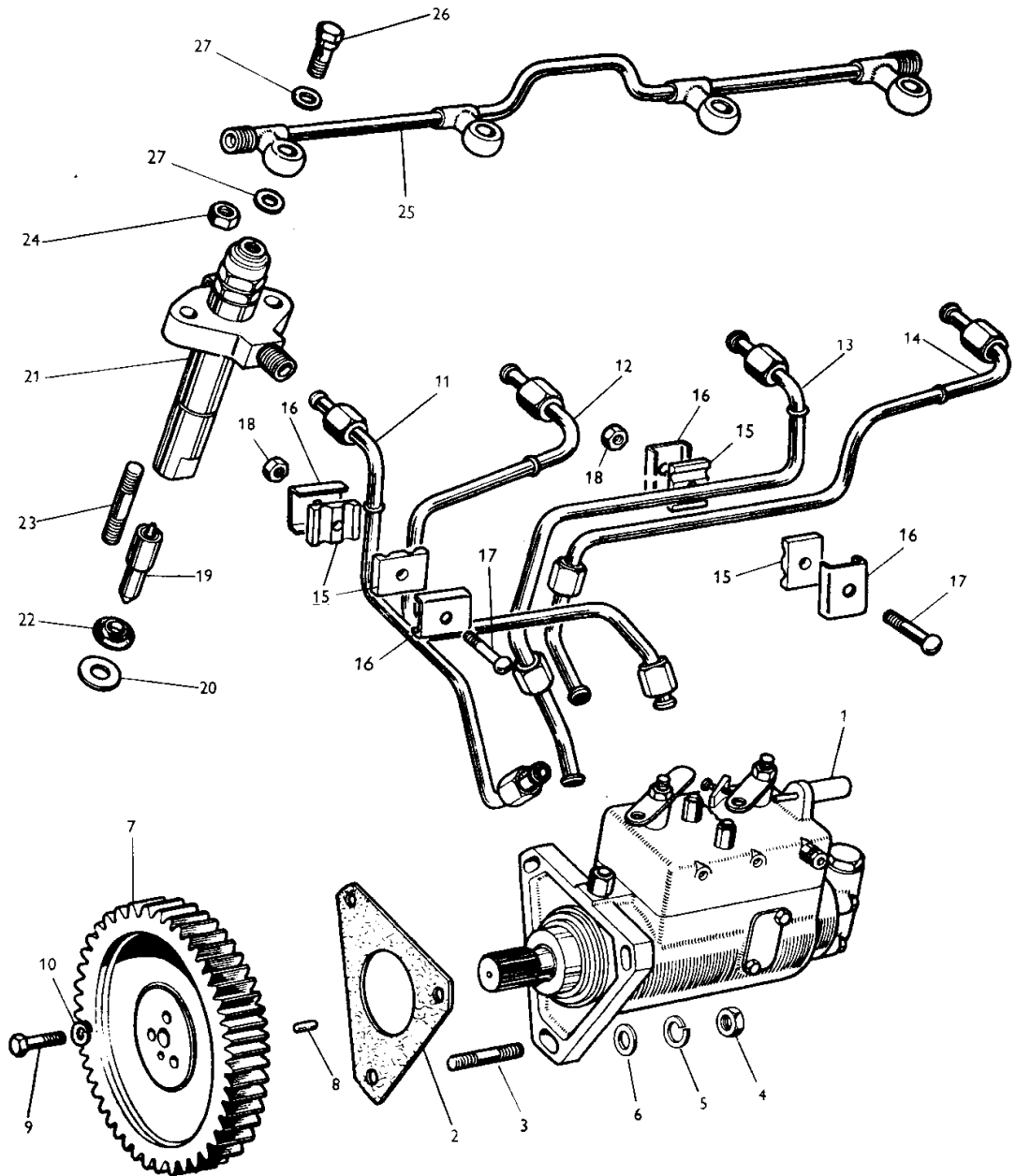
See Page - Reference Number 32



Z EL 174

FUEL FILTER - PRIMARY FUEL FILTER

Item	Part Number	Qty	Description	Comments
				PRIMARY FUEL FILTER
1	1714267M91	1	Filter	
2	1712200M1	1	Bolt	
3	1712377M1	1	Gasket	
4	1715398M1	1	Head	
5	1711727M1	3	Joint	
6	1711843M1	2	O Ring	
7	1712202M1	1	Element	INCL. NO. 3, 5 AND 6
8	1714265M1	1	Bowl	
9	1714274M1	1	Cover	
10	1714273M1	1	Plug	
11	1714269M1	1	Gasket	
				SECONDARY FUEL FILTER
20	1714268M91	1	Filter	
21	1712200M1	1	Bolt	
22	1712377M1	1	Gasket	
23	1715398M1	1	Head	
24	1711727M1	2	Joint	
25	1711843M1	1	O Ring	
26	1712202M1	1	Element	INCL. REF. 22, 24 AND 25
27	1712204M1	1	Body	



Perkins-Motor A4.236

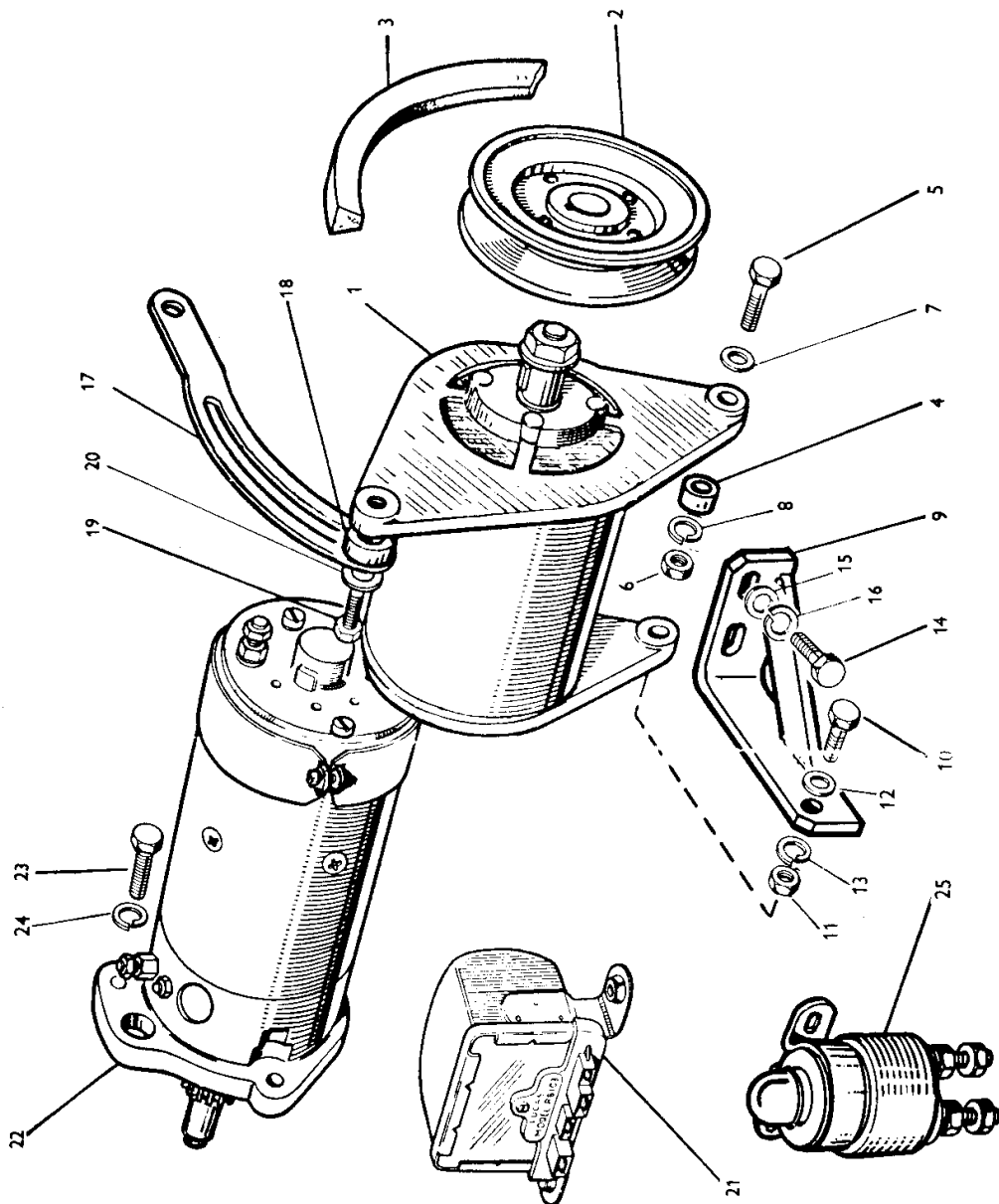
418 847 M2 (Ausgabe 1) 7/71

FUEL INJECTION EQUIPMENT

Item	Part Number	Qty	Description	Comments
1	1714474M91	1	Pump	(A, C)
	1716394M91	1	Pump	(A, D)
	1716995M91	1	Pump	(E)
	1715446M91	1	Pump	(B)
	1714099M1	1	Sleeve	
	31718104	1	Seal	
	31718105	1	Wire	
2	0490685	1	Joint	
3	0826277	3	Stud	
4	353916X1	3	Nut Unf	
5	0920053	3	Washer	
6	0920497	3	Washer	
7	41115112	1	Gear	
	41115115	1	Gear	(B)
8	2116078	1	Dowel	
9	353517X1	3	Screw Unf	
10	0920053	3	Washer	
11	35354266	1	Pipe	
12	35354267	1	Pipe	
13	35354293	1	Pipe	
14	35355289	1	Pipe	
15	36844116	4	Bridle	
16	36511123	4	Plate	
17	0726260	2	Bolt	
18	2211401	2	Nut	
19	1714470M1	4	Nozzle	(A, E)
	1715447M1	4	Nozzle	(B)
	1446762M1	4	Nozzle	(E, F)
20	0921173	4	Washer	
21	1714471M91	4	Holder	
22	33817114	4	Shield	
23	0826280	8	Stud	
24	353916X1	8	Nut Unf	
25	35587344	1	Leak-Off Pipe	
26	0095315	4	Banjo Bolt	
27	0920107	8	Washer	

(A)  
 FOR COMBINE MF 87  
 (B)  
 FOR COMBINE MF 99  
 (C)  
 Up to Serial or Engine Number 4805092  
 See Page - Reference Number 10  
 (D)  
 From Serial or Engine Number 4805093  
 See Page - Reference Number 10  
 (E)  
 FOR COMBINE MF 187  
 (F)  
 From Serial or Engine Number 236UA43100





ELECTRICAL EQUIPMENT

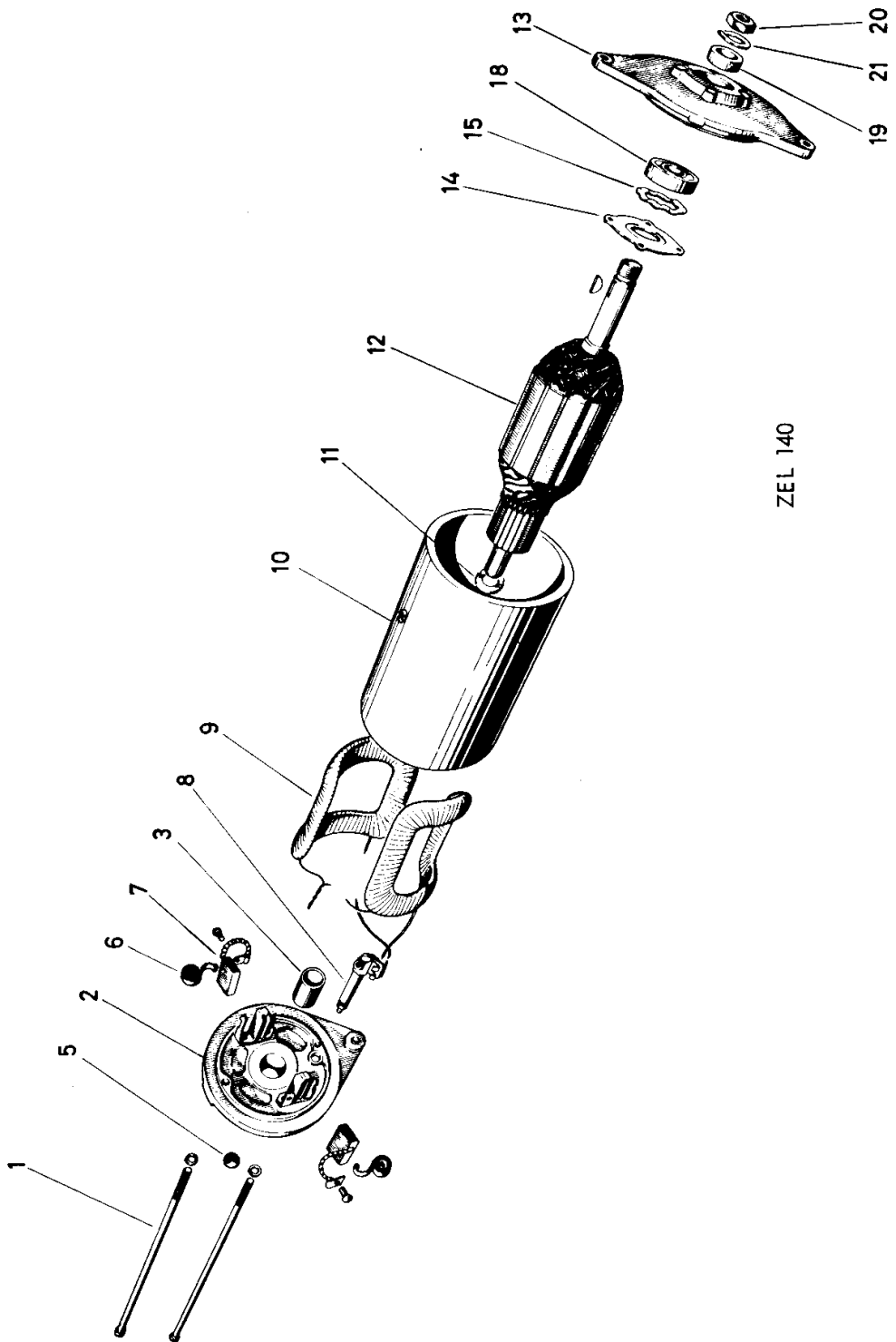
Item	Part Number	Qty	Description	Comments
1	1714576M91	1	Dynamo	(C)
2	31141425	1	Pulley,Alternatr	
3	0070108	1	Belt	
4	33135413	1	Spacer	
5	0096236	1	Bolt	
6	353916X1	1	Nut Unf	
7	0920497	1	Washer	
8	0920053	1	Washer	
9	38122373	1	Bracket	
10	0096201	1	Bolt	
11	353916X1	1	Nut Unf	
12	0920497	1	Washer	
13	0920053	1	Washer	
14	0746255	4	Setscrew	
15	0920497	2	Washer	
16	0920053	2	Washer	
17	36544324	1	Lever	
18	33135413	1	Spacer	
19	0748405	1	Screw	
20	0920497	1	Washer	
21	1714505M1	1	Regulator	(A)
	1714674M1	1	Regulator	(B)
22	1714478M91	1	Startermotor	(D)
23	0748523	3	Screw	
24	0920054	3	Washer	
25	1714515M1	1	Switch	

(A)  
FOR COMBINE MF 87  
FOR COMBINE MF 187

(B)  
FOR COMBINE MF 99

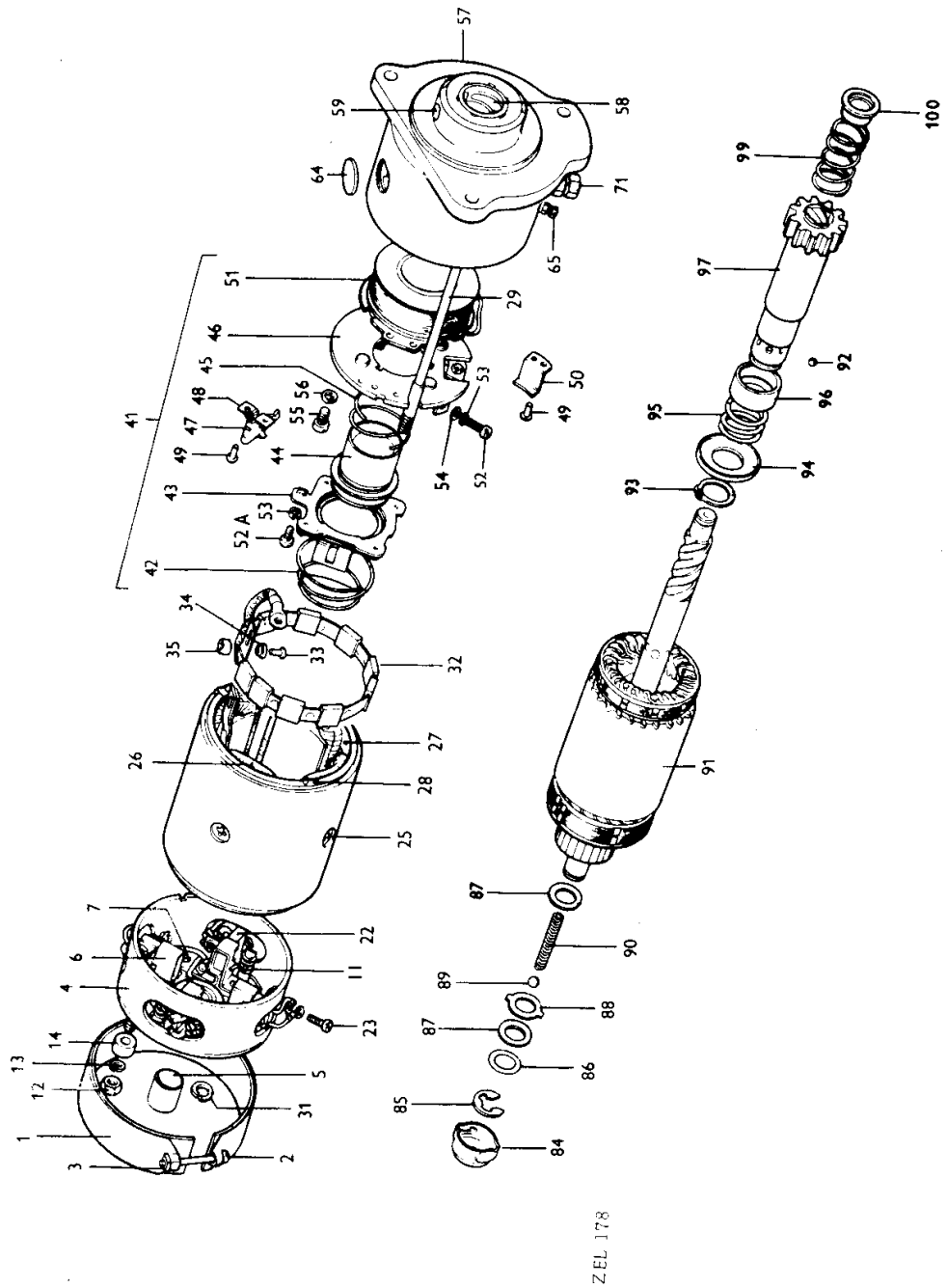
(C)  
See Page - Reference Number 38

(D)  
See Page - Reference Number 40



DYNAMO

Item	Part Number	Qty	Description	Comments
	1714576M91	1	Dynamo	
1	1714577M1	2	Bolt	
2	1714580M91	1	Bracket	
3	1714579M1	1	Bush	
5	1714583M1	1	Oiler	
6	1714585M1	1	Spring	
7	1714587M1	1	Brush	
8	1714815M1	1	Terminal	
9	1714591M1	1	Field Coil Assy.	
10		1	Housing	
11	1714592M1	1	Collar	
12	1714594M1	1	Armature	
13	1716834M91	1	Bracket	
14	1714598M1	1	Plate	
15	1714599M1	1	Washer	
18	1440485X1	1	Bearing Ball	
19	1714603M1	1	Collar	
20	1714604M1	1	Nut	
21	1714606M1	1	Washer	
				NOT ILLUSTRATED
	1714930M91	1	Kit, Sundry	



STARTER

Item	Part Number	Qty	Description	Comments
	1714478M91	1	Startermotor	(CA 45 D 12-2)
1	1713928M91	1	Band	
2	1713929M1	1	Bolt	
3	1713930M1	1	Nut	
4	1716818M91	1	Shield	
5	1711906M1	1	Bush	
6	1713344M1	1	Support	
7	1711711M1	4	Rivet	
11	1711884M1	4	Spring	
12	1713931M1	2	Nut	
13	1711652M1	2	Washer	
14	1713354M1	2	Spacer	
22	1717548M1	1	Brush	
23	1711629M1	4	Bolt	
	1711657M1	4	Washer	
25	1713933M1	4	Screw	
26	1713952M91	1	Coil	
27	1713357M1	2	Insulator	
28	1713953M1	2	Isolator	
29	1711860M1	2	Bolt	
31	1713349M1	2	Washer	
32	1713934M1	1	Resistor	
33	1713347M1	1	Rivet	
34	1713345M1	1	Bush	
35	1713348M1	1	Bush	
41	1713935M91	1	Solenoid	
52	1713350M1	2	Bolt	
52A	1713350M1	1	Bolt	
53	1713936M1	1	Washer	
	1711657M1	3	Washer	
54	1711655M1	2	Washer	
55	1713937M1	2	Bolt	
56	1711657M1	2	Washer	
57	1713961M91	1	Bearing Carrier	
59	1713938M1	1	Plug	
	1711892M1	1	Spring	
	1711852M1	1	Pad	
	1713939M1	1	Seal	
64	1713940M1	2	Plug	
65	1713352M1	1	Terminal	
	1711680M1	2	Nut	
	1711657M1	2	Washer	
	1711655M1	2	Washer	
	1713941M1	1	Bush	
	1713942M1	1	Insulator	
71	1713169M1	1	Terminal	
	1713931M1	2	Nut	
	1711652M1	1	Washer	
	1713943M1	1	Washer	
	1714263M1	2	Washer	
	1711828M1	1	Bush	
	1713944M1	1	Insulator	
	1711639M1	1	Bolt	
	1713945M1	1	Washer	
	1713946M1	1	Ring	
84	1713955M1	1	Cap	
85	1711853M1	1	Clip	
86	1711917M1	X	Washer	
	1711618M1	X	Washer	
87	1711932M1	2	Washer	
88	1711900M1	1	Washer	
89	1711616M1	1	Ball	
90	1711899M1	1	Spring	
91	1713956M1	1	Armature	
92	1711618M1	4	Ball	
93	1713947M1	1	Clip	
94	1713948M1	1	Collar	
95	1715078M1	1	Spring	
96	1714264M1	1	Collar	
97	1713957M1	1	Pinion	

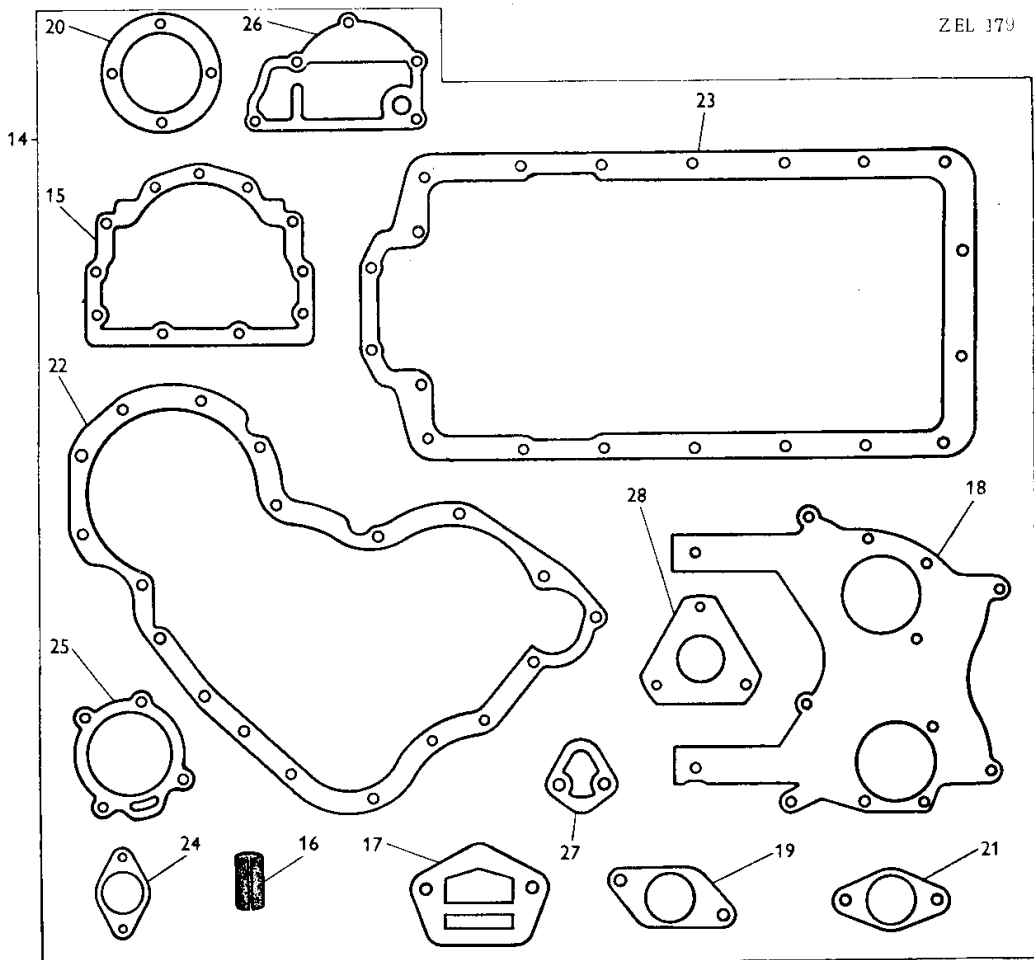
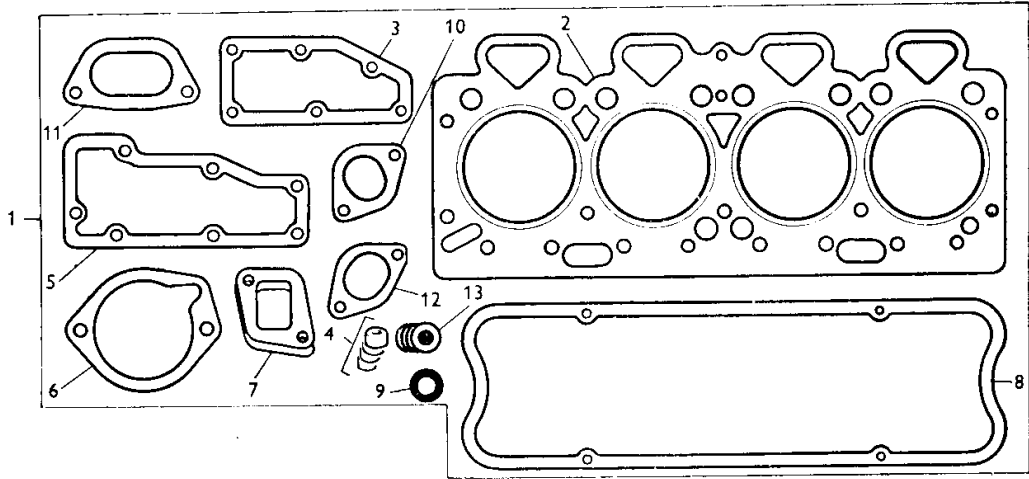
**MASSEY FERGUSON****MF 187 COMBINE ENGINE, A4.236 - 418847**

418847

**STARTER**

40

<b>Item</b>	<b>Part Number</b>	<b>Qty</b>	<b>Description</b>	<b>Comments</b>
99	1713959M1	1	Spring	
	1713958M1	1	Cover	
100	1713960M1	1	Nut	
	1713949M1	1	Washer	
	1713950M1	1	Washer	



Z EL 379



JOINTS AND GASKETS

Item	Part Number	Qty	Description	Comments
1	82890	1	Gasket	
2	36812315	1	Gasket	
3	36851409	1	Joint	
4	33817402	4	Deflector	(A)
	33817405	8	Deflector	(B)
5	36853514	1	Joint	
6	368621511		Joint	
7	36862134	2	Joint	
8	36811122	1	Joint	
9	2415801	1	O Ring	
10	36862132	1	Joint	
11	36862133	1	Joint	
12	36862131	1	Joint	
13	0921173	4	Washer	
14	83413	1	Gasket	
15	36817136	1	Joint	
16	32811408	1	Joint	
17	36862517	2	Joint	
18	36814123	1	Joint	
19	36862138	1	Joint	
20	33825419	1	Joint	
21	36833119	1	Joint	
22	36813137	1	Joint	
23	36815705	1	Joint	
24	0490355	1	Joint	
25	36866721	1	Joint	
26	36867128	1	Joint	(C)
	36867138	1	Joint	(D)
27	36862166	1	Joint	
28	0490685	1	Joint	

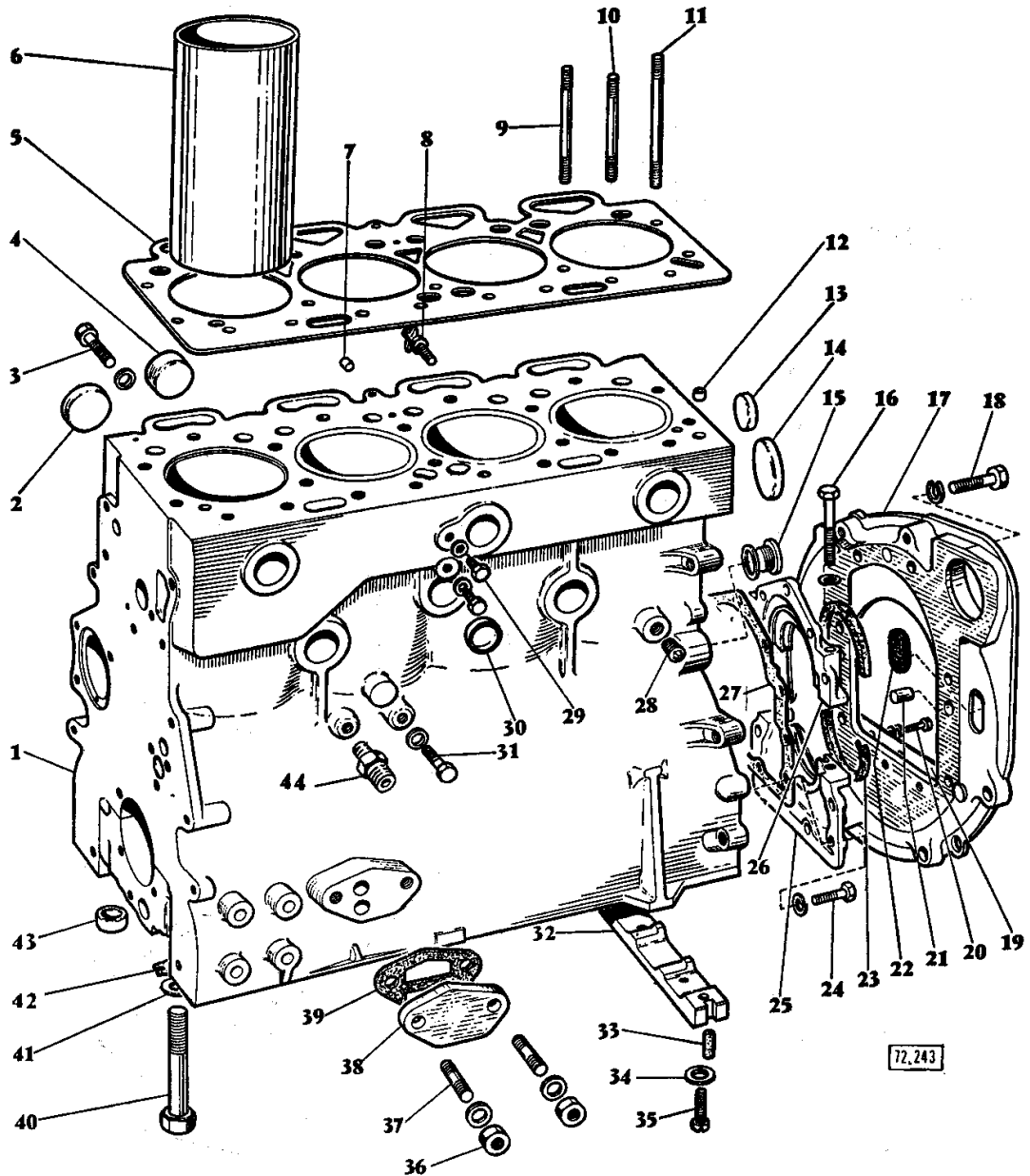
(A)  
Up to Serial or Engine Number 4805663

(B)  
From Serial or Engine Number 4805664

(C)  
Up to Serial or Engine Number 4822571

(D)  
From Serial or Engine Number 4822572

KURBELGEHAEUSE  
CYLINDER BLOCK  
BLOC CYLINDRE



**MASSEY FERGUSON**

**MF 187 COMBINE ENGINE, A4.236, I-> 236FA6035 - 1646108**

**1646108**

**CYLINDER BLOCK**

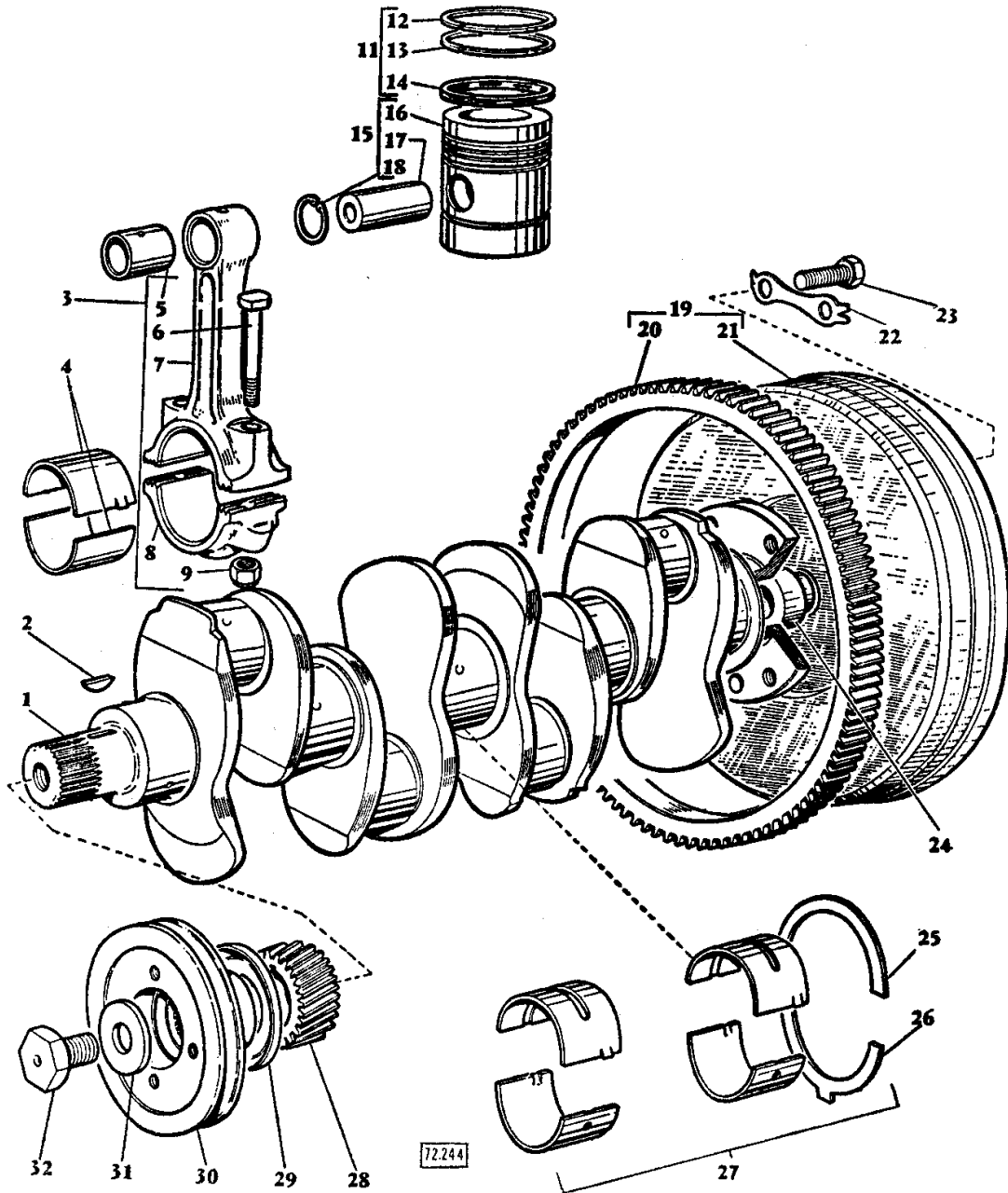
**3**

Item	Part Number	Qty	Description	Comments
1	90062	1	Cylinder Block	INCL. NO. 4, 6, 13, 30, 40, 43
2	0650577	4	Plug	
3	0746451	1	Screw	
	0920146	1	Washer	
4	0650618	4	Plug	
5	1641129M1	1	Gasket	
6	31358324	4	Liner	
7	32417133	1	Plug	
8	31419	1	Cock	(A)
	1641016M1	1	Cock	(A)
9	32526311	12	Stud	
10	32526312	8	Stud	
11	32526313	2	Stud	
12	32417134	1	Plug	
13	0650563	2	Plug	
14	32416105	1	Plug	
15	0650582	1	Plug	
	1641134M1	1	Washer	
16	0096238	2	Bolt	
	0920053	2	Washer	
17	37147642	1	Plate	(B)
18	0096432	1	Screw	(B)
	0746424	5	Bolt	(B)
	0920054	6	Washer	(B)
19	36125305	1	Cover	(B)
20	0746253	3	Screw	(B)
	0920053	3	Washer	(B)
	0920003	3	Washer	(B)
21	32455119	2	Dowel	(B)
22	37813113	1	Plug	(B)
23	36883108	2	Seal	
24	0746211	11	Bolt	
	0920053	11	Washer	
25		1	Housing	(C)
26		1	Housing	(C)
	40308	1	Housing	INCL. NO. 16, 23, 25, 26
27	36817136	1	Joint	
28	0650593	1	Plug	
29	32114116	2	Plug	
30	0650563	6	Plug	
31	0746451	1	Screw	
	0920146	1	Washer	
32	36277831	1	Bridge Piece	
33	32811408	2	Joint	
34	0920521	2	Washer	
35	2176369	2	Screw	
	1641097M1	2	Bolt	(A)
36	0576054	2	Nut	
	0920055	2	Washer	
37	0826623	2	Stud	
38	36232108	1	Plate	
39	36862517	1	Joint	
40	32166314	10	Screw	
41	0760001	10	Shim	
42		10	Tab Washer	(D)
43	33142111	10	Thimble	
44	0201396	1	Union	

(A)  
ALTERNATIVE  
(B)  
Up to Serial or Engine Number 236FA8834  
(C)  
Not serviced, order 40308  
(D)  
NOT REQUIRED

4

KURBELWELLE  
CRANKSHAFT  
VILEBREQUIN



**MASSEY FERGUSON**

**MF 187 COMBINE ENGINE, A4.236, I-> 236FA6035 - 1646108**

**1646108**

**CRANKSHAFT**

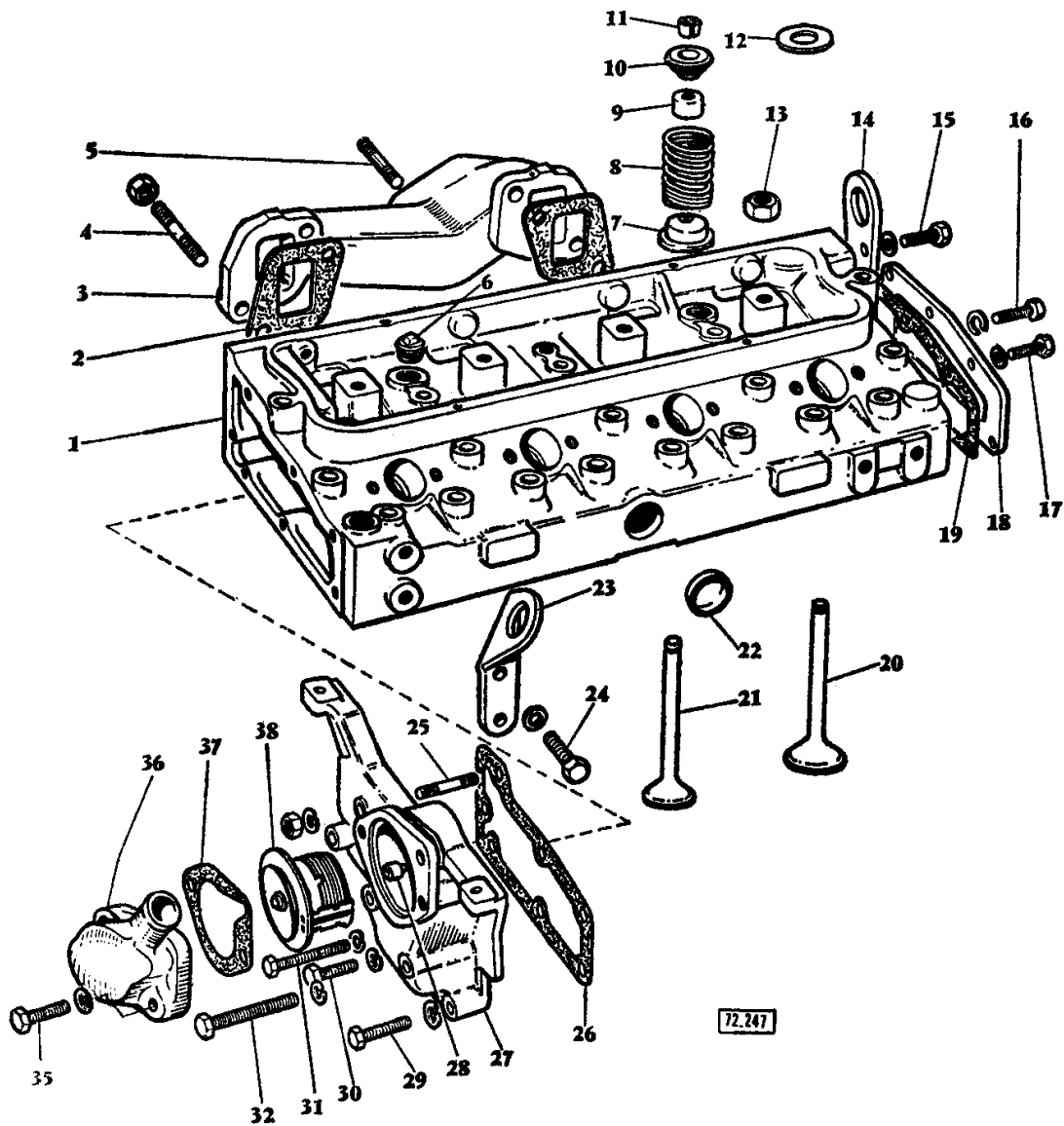
**4**

Item	Part Number	Qty	Description	Comments
1	85821	1	Kit, Crankshaft	INCL. NO. 31137311, 31137321
	84421	1	Shaft	INCL. NO. 31137311, 31137321
2	0500012	1	Woodruff Key	
3	84920	4	Conrod	INCL. NO. 5-9
4	85042	1	Kit, Bearing	(A)
	85042A	X	Kit, Bearing	(A, B) .010" US
	85042B	X	Kit, Bearing	(A, B) .020" US
	85042C	X	Kit, Bearing	(A, B) .030" US
5	31134123	4	Bush	
6	32762116	8	Bolt	
7		4	Rod	(C)
8		4	Cap	(C)
9	33221321	8	Nut	
11	81890	4	Kit, Ring	INCL. NO. 12-14
	81890C	X	Kit, Ring	.030" O/S
12		4	Ring	(D)
13		8	Ring	(D)
14		8	Ring	(D)
15	40297	4	Piston	INCL. NO. 16-18
	82878C	X	Kit, Piston	ICL. NO. 16-18 .030" O/S
16		4	Piston	(E)
17		4	Pin	(E)
18	0170002	8	Circlip	
19		1	Flywheel	(F) INCL. NO. 20, 21
20	0410264	1	Ring	
21		1	Flywheel	(F)
22	0921062	3	Tab Washer	
23	0096835	6	Bolt	
24	41425708	1	Adaptor	
25	31137175	2	Washer	(G)
	31137311	2	Washer	
	31137312	2	Thrust Washer	.007" O/S
26	31137181	2	Washer	(G)
	31137321	2	Washer	
	31137322	2	Thrust Washer	0.007" O/S
27	81558	1	Kit, Bearing	(A)
	81558A	X	Kit, Bearing	(A, B) 0.010" U/S
	81558B	X	Kit, Bearing	(A, B) 0.020" U/S
	81558C	X	Kit, Bearing	(A, B) 0.030" U/S
28	31171681	1	Gear	
29	33157523	1	Flange	
30	31148791	1	Pulley	
31	33125124	1	Washer	
32	32162318	1	Screw	

(A)  
BEARING ARE PRE FINISHED  
(B)  
NOT INCLUDED IN CRANKSHAFT  
(C)  
Not serviced, order NO. 3  
(D)  
Not serviced, order NO. 11  
(E)  
Not serviced, order NO. 15  
(F)  
SEE PARTS BOOK MB187  
(G)  
INCLUDED IN CRANKSHAFT BUT NOT REQUIRED ON THIS AP PPLICATION

8

ZYLINDERKOPF  
CYLINDER HEAD  
CULASSE



**MASSEY FERGUSON**

**MF 187 COMBINE ENGINE, A4.236, I-> 236FA6035 - 1646108**

**1646108**

**CYLINDER HEAD**

**8**

Item	Part Number	Qty	Description	Comments
	86588		Cylinder Head	INCL. NO. 1, 6, 15-18 AND 21
1		1	Cylinder Head	(A)
2	36862134	2	Gasket	
3	37781321	1	Exhaust Manifold	
4	0826439	4	Stud	
	2211224	4	Nut	
5	0826404	3	Stud	
6	2431154	2	Plug	
7	33421408	8	Collar	(B)
	33421409	X	Deflector	(B) .003" O/S
	33421411	X	Deflector	(B) .015" O/S
	33421412	X	Deflector	(B) .030" O/S
8	0780272	8	Spring	
9	33817405	8	Deflector	(B)
	33817117	8	Seal	(C, D, E)
	2415304	8	Deflector	(C, D)
	33817118	X	Seal	(C, D, E)
	2415305	X	Deflector	(C, D)
	33817119	X	Seal	(C, D, E)
10	33423122	8	Cap	
11	0230002	8	Cotter	(D)
	33173108	8	Cotter	(D)
12	33123117	8	Washer	(E)
13	33221316	22	Nut	
14	36177111	1	Plate	
15	0746453	2	Setscrew	
	0920054	2	Washer	
16	0746255	1	Setscrew	
	0746254	6	Setscrew	
17	0920053	6	Washer	
18	37553121	1	Cover	
19	36851409	1	Joint	
20	31431641		Valve Inlet	
	31431401	X	Valve Inlet	(C) .003" O/S
	31431402	X	Valve Inlet	(C) .015" O/S
	31431403	X	Valve Inlet	(C) .030"
21	31431109	4	Valve Exhaust	
	31431411	X	Valve Exhaust	(C) .003" O/S
	31431412	X	Valve Exhaust	(C) .015"
	31431413	X	Valve Exhaust	(C) .030" O/S
22	0650563	1	Plug	
23	36475706	1	Plate	(G)
	0941080	1	Plate	(F)
24	0746453	2	Setscrew	
	0920054	2	Washer	
25	0826467	1	Stud	
	0920054	1	Washer	
	0576051	1	Nut	
26	36853514	1	Joint	
27	37762701	1	Body	
28	2485791	1	Pin	
29	0096434	2	Bolt	
	0920054	2	Washer	
30	0746255	2	Setscrew	
	0920053	2	Washer	
31	0096238	1	Bolt	
	0920053	1	Washer	
32	0096439	1	Bolt	
	0920054	1	Washer	
35	0096433	2	Bolt	

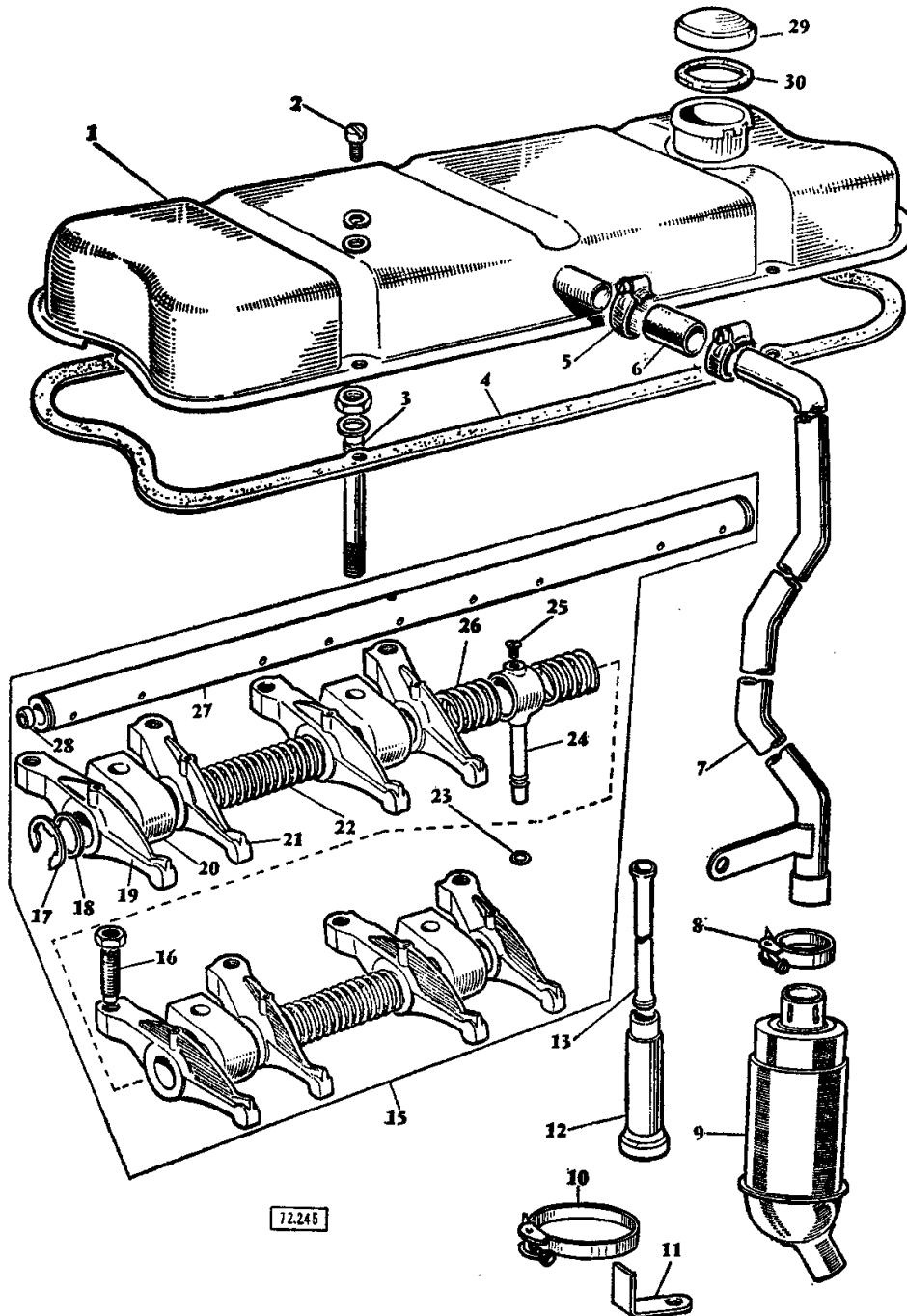
**MASSEY FERGUSON****MF 187 COMBINE ENGINE, A4.236, I-> 236FA6035 - 1646108****1646108****CYLINDER HEAD****8**

Item	Part Number	Qty	Description	Comments
	0920054	2	Washer	
36	37735651	1	Connection	
37	36862151	1	Joint	
38	1641145M1	1	Thermostat	
				(A) Not serviced, order 86588
				(B) Up to Serial or Engine Number 236FA7677
				(C) NOT INCLUDED IN ASSEMBLY
				(D) ALTERNATIVE
				(E) From Serial or Engine Number 236FA7678
				(F) From Serial or Engine Number 236FA6035
				(G) From Serial or Engine Number 236FA8835



12

ZYLINDERKOPFDECKEL  
CYLINDER HEAD COVER  
CACHE-CULBUTEURS



Imprimé en France

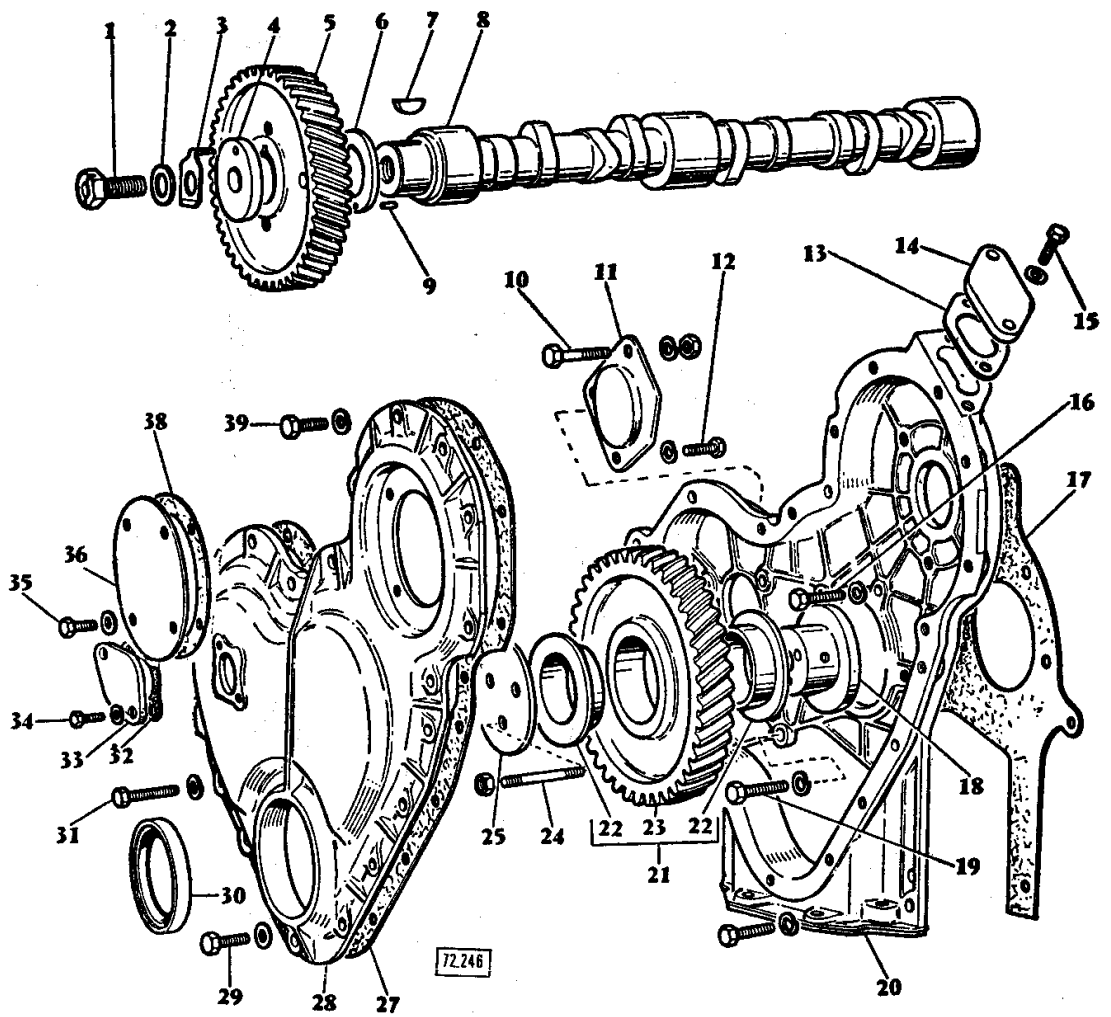
A 4.236

1 646 108 M1 - Emission 1 - V/72

CYLINDER HEAD COVER

Item	Part Number	Qty	Description	Comments
1	37188144	1	Cyl.Head Cover	
2	2174018	4	Screw	
	0920052	4	Washer	
	0920002	4	Washer	
3	0826628	4	Stud	
	0920006	4	Washer	
	2211284	4	Nut	
4	36811122	1	Joint	
5	1641071M1	2	Clip	
6	0202058	1	Hose	
7	35736141	1	Pipe	
8	2481801	1	Clip	
9	35286	1	Body	
10	37337115	1	Clamp	(A)
11	1641009M1	1	Bracket	(B)
	0746052	1	Bolt	(A)
	0920052	1	Washer	(A)
	0576001	1	Nut	(A)
	1641072M1	1	Clamp	(B)
12	31434162	8	Tappet	
13	31434307	8	Pushrod	
15	87618	8	Shaft	INCL. NO. 16-28
16	0720579	8	Screw	
	0576052	8	Nut	
17	0170151	2	Circlip	
18	33117415	2	Washer	
19	37371271	4	Lever	
20	37521331	4	Bracket	
21	37371281	4	Lever	
22	31744123	2	Spring	
23	2415801	1	O Ring	(D)
	33811113	1	Olive	(E)
24	35511111	1	Pipe	(F)
25	0726504	1	Setscrew	
26	31743108	2	Spring	
27	83450	1	Shaft	INCL. NO. 28
28	0650507	2	Plug	
29	0150060	1	Cap	INCL. NO. 30
30	0490209	1	Gasket	
				(A) Up to Serial or Engine Number 4V14300
				(B) From Serial or Engine Number 4V14301
				(C) From Serial or Engine Number 236F7760 Up to Serial or Engine Number 236F7759 Not serviced, order 87618/33811113
				(D) Up to Serial or Engine Number 236F7759 WITH PIPE 35511109
				(E) From Serial or Engine Number 236F7760 WITH PIPE 35511111
				(F) From Serial or Engine Number 236F7760 Up to Serial or Engine Number 236F7759 Not serviced, order 33811113

STEUERUNG  
TIMING GEAR  
DISTRIBUTION



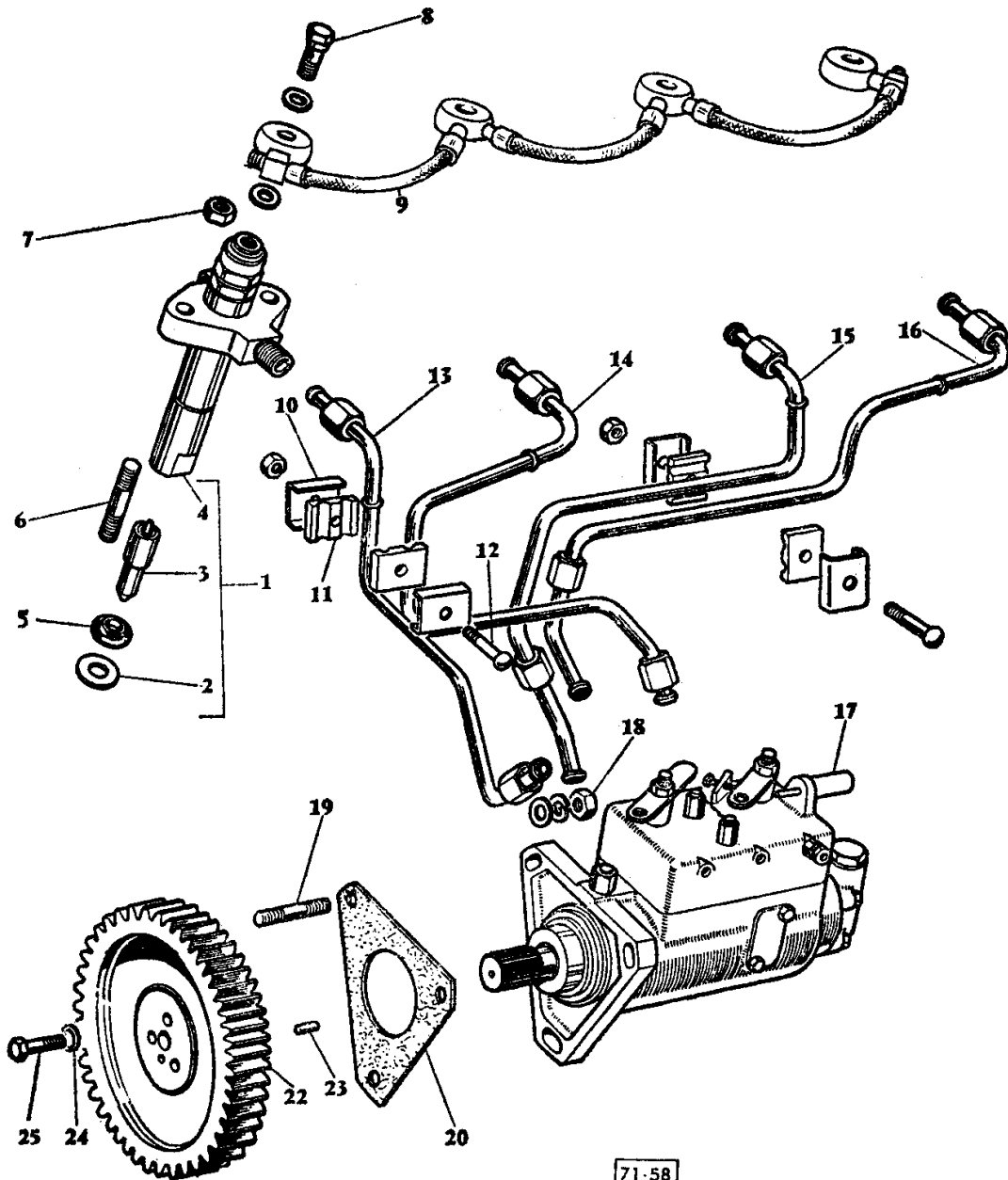
TIMING GEAR

Item	Part Number	Qty	Description	Comments
1	2182122	1	Setscrew	
2	33115408	1	Washer	
3	31733121	1	Washer	
4	33153128	1	Washer	
5	31171353	1	Gear	
6	33153121	1	Washer	
7	0500012	1	Woodruff Key	
8	31415292	1	Camshaft	
9	0610844	1	Dowel	
10	2232151	2	Screw	
	0920054	2	Washer	
	2238153	2	Nut	
11	37556148	1	Plate	
12	0748505	1	Screw	
	0920054	1	Washer	
	2238153	1	Nut	
13	36862138	1	Joint	
14	36235118	1	Plate	
15	0746253	2	Screw	
	2411152	2	Washer	
16	0746255	8	Setscrew	
	0920053	8	Washer	
17	36814123	1	Joint	
18	0450035	1	Hub	
19	0746211	1	Bolt	
	0920053	1	Washer	
20	37161642	1	Housing	
21	41115023	1	Idler	INCL. NO. 22, 23
22	0050345	2	Bush	
23		1	Gear	(A)
24	0826434	3	Stud	
	0576104	3	Nut	
25	0941082	1	Plate	
27	36813137	1	Joint	
28	37166401	1	Cover	
29	0746255	4	Setscrew	
	2411152	3	Washer	
30	1641141M1	1	Seal	
31	0096238	4	Bolt	
	0920053	4	Washer	
32	36833119	1	Joint	
33	36171121	1	Plate	
34	0746051	2	Screw	
	0920101	2	Washer	
35	0746252	4	Screw	
	2411152	4	Washer	
	32413415	1	Cover	
38	33825419	1	Joint	
39	0746255	10	Setscrew	
	0920053	10	Washer	

(A)  
Not serviced, order NO. 21

16

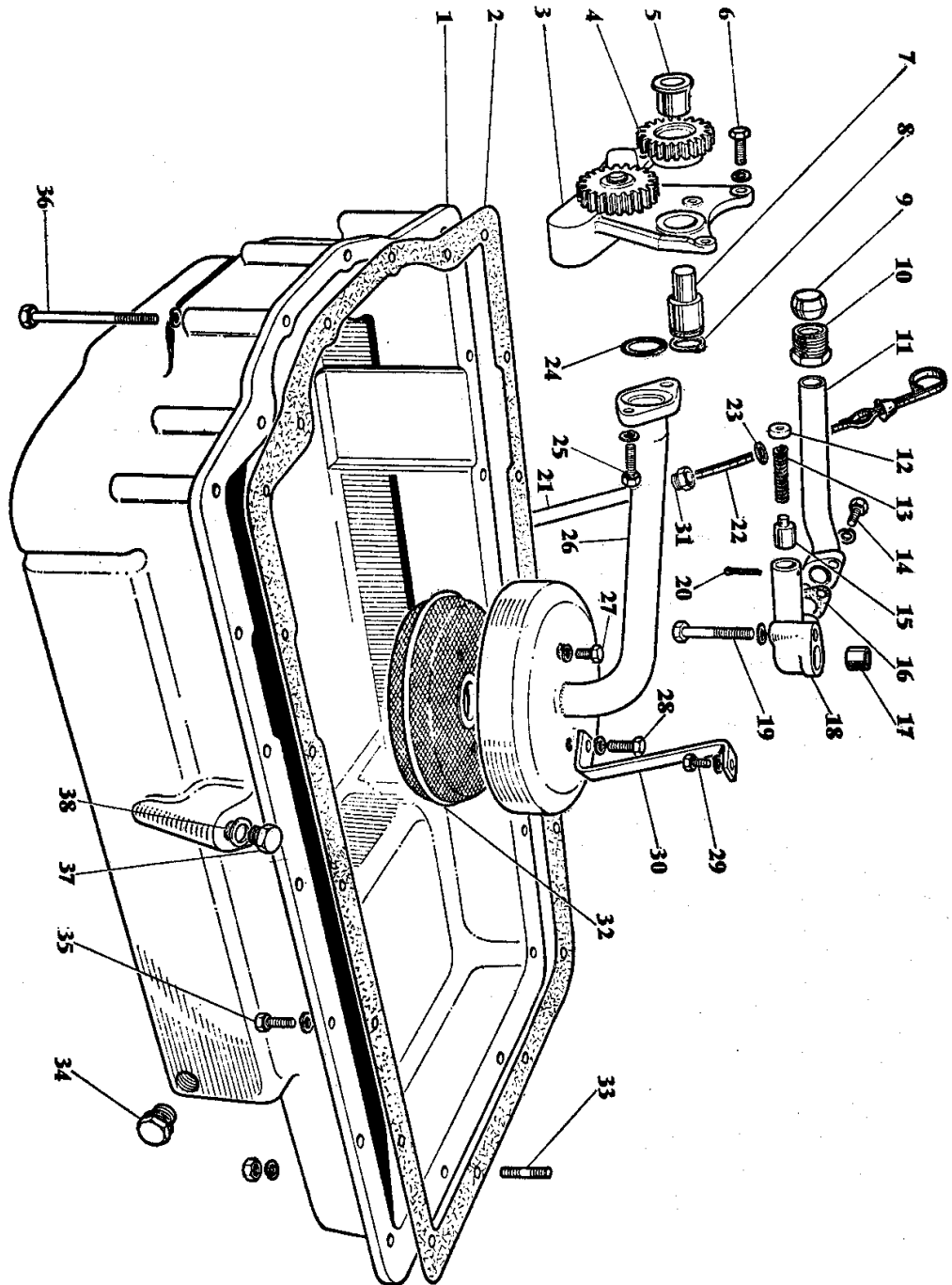
EINSPRITZPUMPENAUSRÜSTUNG  
 FUEL INJECTION EQUIPMENT  
 ÉQUIPEMENT D'INJECTION



FUEL INJECTION EQUIPMENT

Item	Part Number	Qty	Description	Comments
1	2646194	4	Atomiser	(A) INCL. NO. 2-4
	1641089M91	4	Nozzle	(B) INCL. NO. 2-4
	1641150M91	4	Nozzle	(C) INCL. NO. 2-4
2	0921173	4	Washer	
3	2646677	4	Nozzle	(E)
	2646695	4	Nozzle	(C)
	2646460	4	Holder	(A)
4	1641075M1	4	Holder	(D)
5	33817114	4	Shield	
6	0826280	8	Stud	
7	0576002	8	Nut	
8	0095315	4	Banjo Bolt	
	0921176	8	Washer	
9	1641069M91	1	Pipe	
10	36511123	4	Plate	
11	36844116	4	Bridle	
12	2182006	2	Screw	
	0571350	2	Nut	
13	35354266	2	Pipe	
14	35354267	1	Pipe	
15	35354293	1	Pipe	
16	35355289	1	Pipe	
17	37324	1	Pump	
18	0576002	3	Nut	
	0920053	3	Washer	
	0920053	3	Washer	
19	0826277	3	Stud	
20	0490685	1	Joint	
22	31171521	1	Gear	
	41115112	1	Gear	INCL. NO. 2116078, NO. 22
23	2116078	1	Dowel	
	2116081	1	Dowel	
24	0920053	3	Washer	
25	0746254	3	Setscrew	(A) Up to Serial or Engine Number 236FA5694 (B) 236FA5695-236FA21903 (C) From Serial or Engine Number 236FA21904 (D) From Serial or Engine Number 236FA5695 (E) Up to Serial or Engine Number 236FA21903

SCHMIEREINRICHTUNG  
LUBRICATING OIL SYSTEM  
SYSTÈME DE GRAISSAGE



69.579

LUBRICATING OIL SYSTEM

Item	Part Number	Qty	Description	Comments
1	37171655	1	Sump	(D)
2	1641099M1	1	Joint	(A)
	1641123M1	1	Joint	(A)
3	41314054	1	Pump	(A)
	41314061	1	Oil Pump	(A)
4	81773	1	Gear	
5	2511432	1	Bush	
6	0746255	3	Setscrew	
	0920053	3	Washer	
7	32716117	1	Shaft	
8	2724402	1	Circlip	
9	0560244	1	Olive	
10	33532121	1	Union	
11	35714103	1	Pipe	
12	33157122	1	Cap	
13	31742128	1	Spring	
14	0746053	2	Bolt	
	0920052	2	Washer	
15	0630082	1	Plunger	
16	0490355	1	Joint	
17	0870001	1	Thimble	
18	41371077	1	Relief Valve	INCL. NO. 12, 13, 15, 18 AND 20
		1	Body	
19	0096438	1	Bolt	
	0920054	1	Washer	
20	0610012	1	Pin	
21	35772624	1	Tube	INCL. NO. 31
22	31787435	1	Dipstick	INCL. NO. 23
23	33812108	1	Washer	
24	36832122	1	Joint	(B)
	0640144	1	Seal	(C)
25	0746254	2	Setscrew	
	0920053	2	Washer	
26	35727508	1	Pipe	(B)
	35726106	1	Pipe	(E)
	36174115	1	Flange	(C)
	33157521	1	Shroud	(C)
27	0746052	1	Bolt	
	0920052	1	Washer	
28	0746053	1	Bolt	
	0920052	1	Washer	
	0920002	1	Washer	(B)
29	0746253	1	Screw	(B)
	0920053	1	Washer	
	0920003	1	Washer	(B)
	0746252	1	Screw	(C)
30	365364112	1	Bracket	(C)
	36535415	1	Clip	(B)
31	33533103	1	Nut	
32	37725443	1	Strainer	
33	0826214	2	Stud	
	0920053	2	Washer	
	0576002	2	Nut	
34	0650540	2	Plug	
35	0746255	12	Setscrew	
	0920053	12	Washer	
36	0096240	6	Bolt	
	0920053	6	Washer	
37	32161317	1	Plug	
38	0921167	1	Washer	

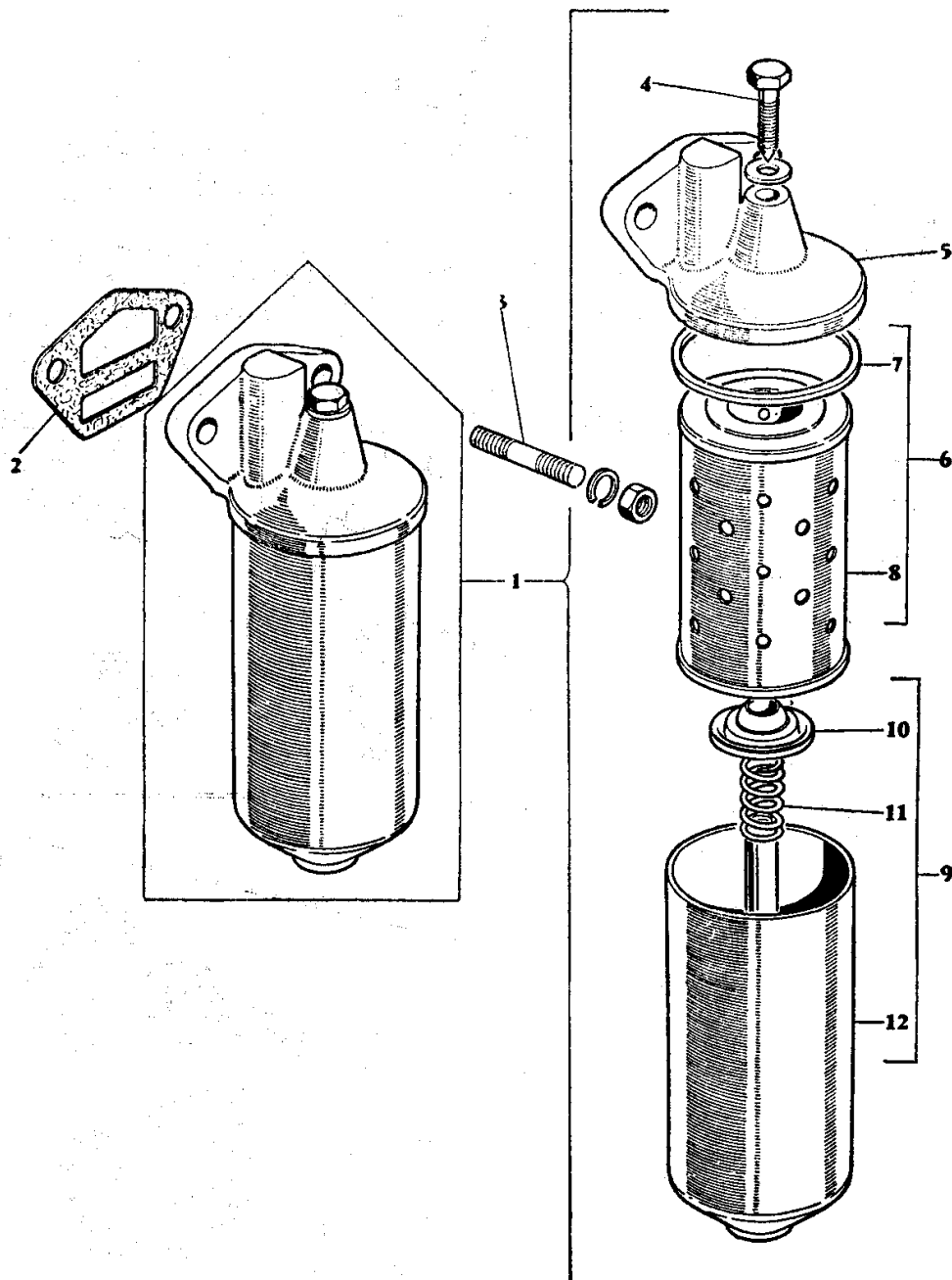
(A)  
Alternative  
(B)  
From Serial or Engine Number 236F14900  
(C)  
Up to Serial or Engine Number 236F14899  
(D)  
From Serial or Engine Number 236FA1655  
Not serviced, order 37171655/32161317/09



**MASSEY FERGUSON****MF 187 COMBINE ENGINE, A4.236, I-> 236FA6035 - 1646108****1646108****LUBRICATING OIL SYSTEM****19**

Item	Part Number	Qty	Description	Comments
				21167
				Up to Serial or Engine Number 236FA1654
				(E)
				Up to Serial or Engine Number 236F14898
				Repairs and replaces 35727508/36535415/36
				832122/0746253/09200
				03/0920002

**OLFILTER  
OIL FILTER  
FILTRE A HUILE**

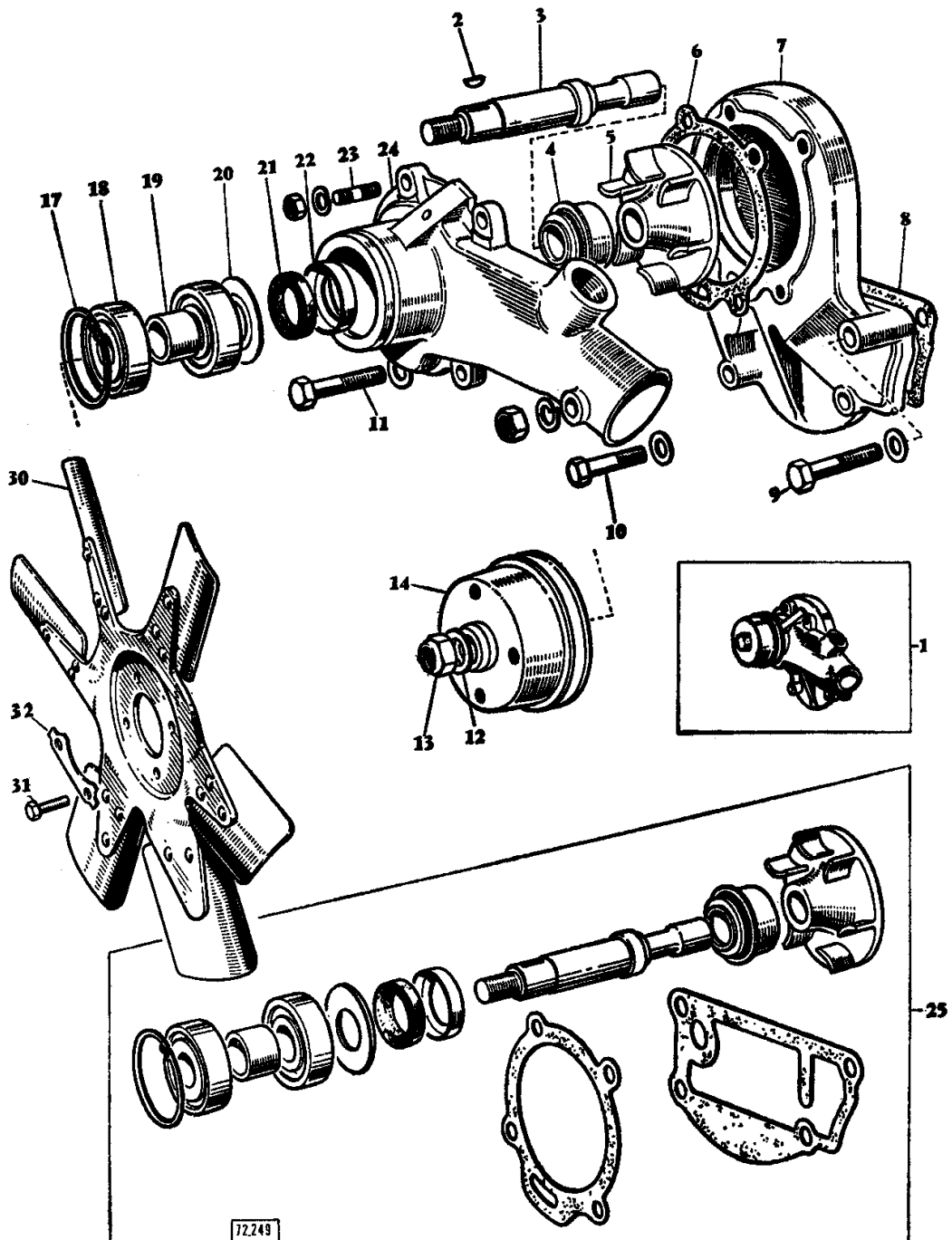


65-46

**MASSEY FERGUSON****MF 187 COMBINE ENGINE, A4.236, I-> 236FA6035 - 1646108****1646108****OIL FILTER****23**

Item	Part Number	Qty	Description	Comments
1	2654154	1	Oil Filter	INCL. NO. 4-6 AND 9
2	36862517	1	Joint	
3	0826608	2	Stud	
	0920055	2	Washer	
	0576054	2	Nut	
4	0095292	1	Bolt	
	0921079	1	Washer	
5	26540123	1	Filter Head	INCL. NO. 7
6		1	Element	(A) INCL. NO. 7 AND 8
	1635636M91	X	Filter	INCL. NO. 6
7	0490520	1	Joint	
8		1	Element	(A)
9	26540127	1	Container	INCL. NO. 10-12
10	0941138	1	Washer	
11	26540022	1	Spring	
12		1	Container	(B) (A) Not serviced, order 1635636M91 (B) See Page - Reference Number 9

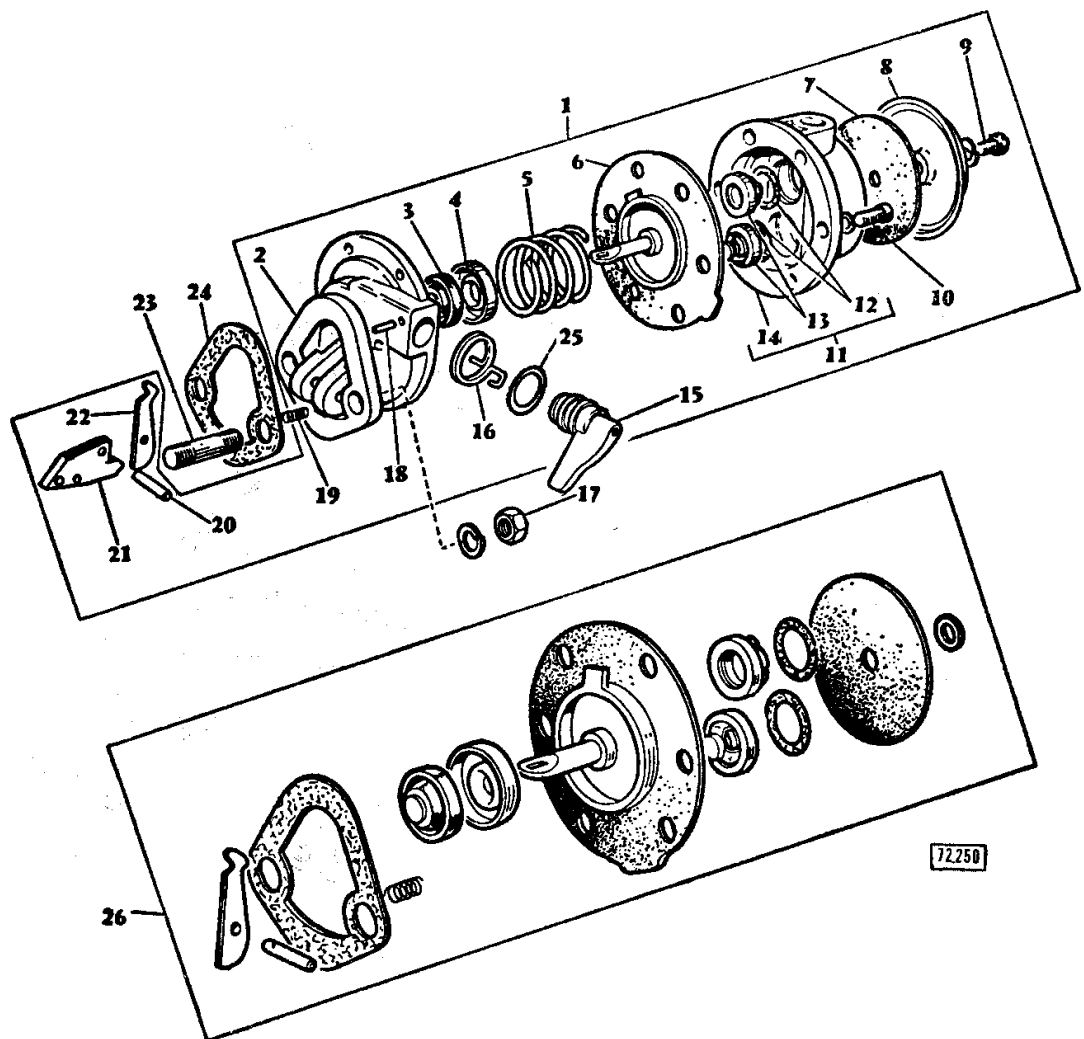
WASSER PUMP  
WATER PUMP  
POMPE A EAU



**MASSEY FERGUSON****MF 187 COMBINE ENGINE, A4.236, I-> 236FA6035 - 1646108****1646108****24****WATER PUMP**

<b>Item</b>	<b>Part Number</b>	<b>Qty</b>	<b>Description</b>	<b>Comments</b>
1	41312323	1	Pump	INCL. NO. 1-7, 12-14, 17-24
2	0500006	1	Woodruff Key	
3	32764119	1	Shaft	
4	2415209	1	Seal	
5	37447602	1	Impeller	
6	36866721	1	Joint	
7	37711711	1	Body	
8	36867138	1	Joint	
9	0096439	1	Bolt	
	0920054	1	Washer	
10	0096434	2	Bolt	
	0920054	2	Washer	
11	0096440	1	Screw	
	0920054	1	Washer	
12	0920007	1	Washer	
13	0574210	1	Nut	(A)
	0576103	1	Nut	(A)
	2211306	1	Nut	(A)
14	31146952	1	Pulley	
17	0170040	1	Circlip	
18	2524406	2	Bearing	
19	33143112	1	Spacer	
20	33157109	1	Flange	
21	33813313	1	Seal	
22	33157108	1	Retainer	
23	0826259	4	Stud	
	0576002	4	Nut	
	0920053	4	Washer	
24	37711631	1	Cover	
25	85800	X	Kit, Repair	INCL. NO. 3-6, 8, 17-22 + SEAL 36867128, 36866724, 36866729, 36867137 NOT REQUIRED ON THIS APPLICATION
30	0360084	1	Fan	
31	0746254	4	Setscrew	
32	0920645	2	Plate	(A) ALTERNATIVE

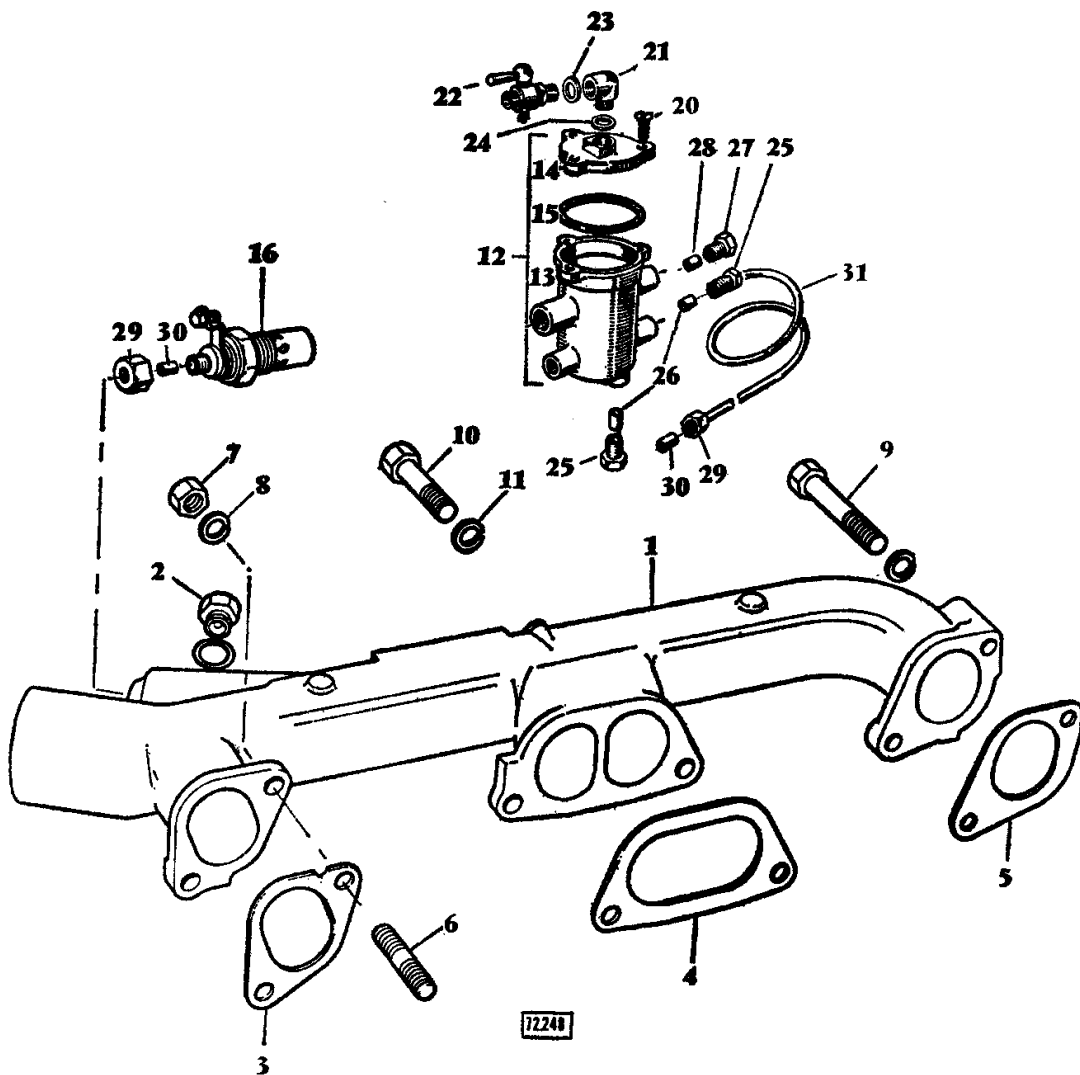
**KRAFTSTOFFFÖRDERPUMPE**  
**FUEL LIFT PUMP**  
**POMPE D'ALIMENTATION**



**MASSEY FERGUSON****MF 187 COMBINE ENGINE, A4.236, I-> 236FA6035 - 1646108****1646108****27****FUEL LIFT PUMP**

<b>Item</b>	<b>Part Number</b>	<b>Qty</b>	<b>Description</b>	<b>Comments</b>
1	2641465	1	Pump	INCL. NO. 2-16, 18-22
2	26410077	1	Body Pump	INCL. NO. 3, 4
3	0730128	1	Joint	(A)
4	0997129	1	Retainer	(A)
5	26410001	1	Spring	
6	26410088	1	Orifice Plate	
7	26410027	1	Orifice Plate	
8	26410026	1	Cover	
9	26410048	1	Screw	
	26410025	1	Washer	
10	0720709	6	Screw	
	0921018	6	Washer	
11	26410028	1	Body Pump	INCL. NO. 12, 13, 14
12	0490627	2	Joint	
13	32517	2	Valve	
14		1	Body	(B)
15	26410034	1	Lever	
16	26410035	1	Spring	
17	33221115	2	Nut	
	0920053	2	Washer	
18	26410036	1	Clevis Pin	
19	0780241	1	Spring	
20	26410032	1	Clevis Pin	
21	26410031	1	Lever	
22	26410074	1	Lever	
23	0826208	2	Stud	
24	36862166	1	Joint	
25	0640102	1	Bush	
26	26410050	1	Kit, Repair	INCL. NO. 3, 4, 6, 7, 12, 13, 19, 20 22 (A) NOT SERVICED (B) Not serviced, order 11

LUFTANSAUGGEHAEUSE  
AIR INDUCTION SYSTEM  
ADMISSION D'AIR





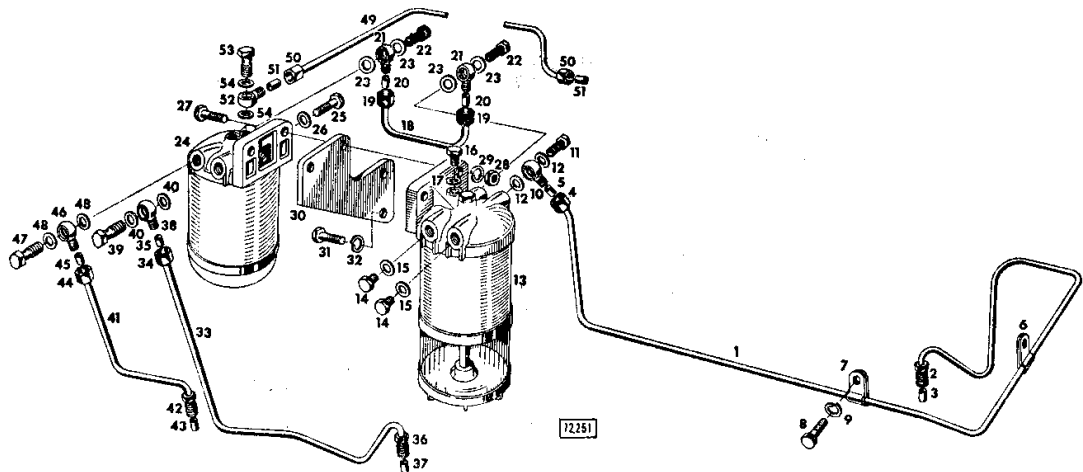
AIR INDUCTION SYSTEM

Item	Part Number	Qty	Description	Comments
1	37787651	1	Manifold	
2	0650204	1	Plug	
	1641128M1	1	Washer	
3	36862132	1	Joint	
4	36862133	1	Joint	
5	36862131	1	Joint	
6	0826403	1	Stud	
7	0576051	1	Nut	
8	0920054	1	Washer	
9	0096439	1	Bolt	
10	0096431	4	Bolt	(A)
	0746424	4	Bolt	(A)
11	0920054	5	Washer	
12	41374425	1	Container	INCL. NO. 13, 14, 15, 34
13	37721561	1	Container	
14	37416501	1	Cap	
15	0490687	1	Joint	
16	2666103	1	Intake Heater	
20	2152173	1	Screw	
21	37732531	1	Elbow	
22	31441	1	Cock	
23	0921176	1	Washer	(A)
	0920148	1	Washer	(A)
24	2413108	1	Washer	
25	33532127	2	Nut	(B)
	0571351	2	Nut	(C)
26	33811112	2	Olive	(B)
	0566002	2	Olive	(C)
27	33532128	1	Nut	(B)
	33533112	1	Nut	(C)
28	33811113	1	Olive	(B)
	0566003	1	Olive	(C)
29	33225412	2	Union Nut	(B)
	0576111	2	Nut	(C)
30	33811112	2	Olive	(B)
	0566002	2	Olive	(C)
31		1	Pipe	(D)

(A)  
(B)  
(C)  
(D)

ALTERNATIVE  
(B)  
Up to Serial or Engine Number 236FA8303  
(C)  
From Serial or Engine Number 236FA8302  
(D)  
SEE PARTS BOOK MF187

**KRAFTSTOFFILTER UND- LEITUNGEN**  
**FUEL FILTERS AND PIPES**  
**FILTRES A CARBURANT ET TUYAUTERIES**



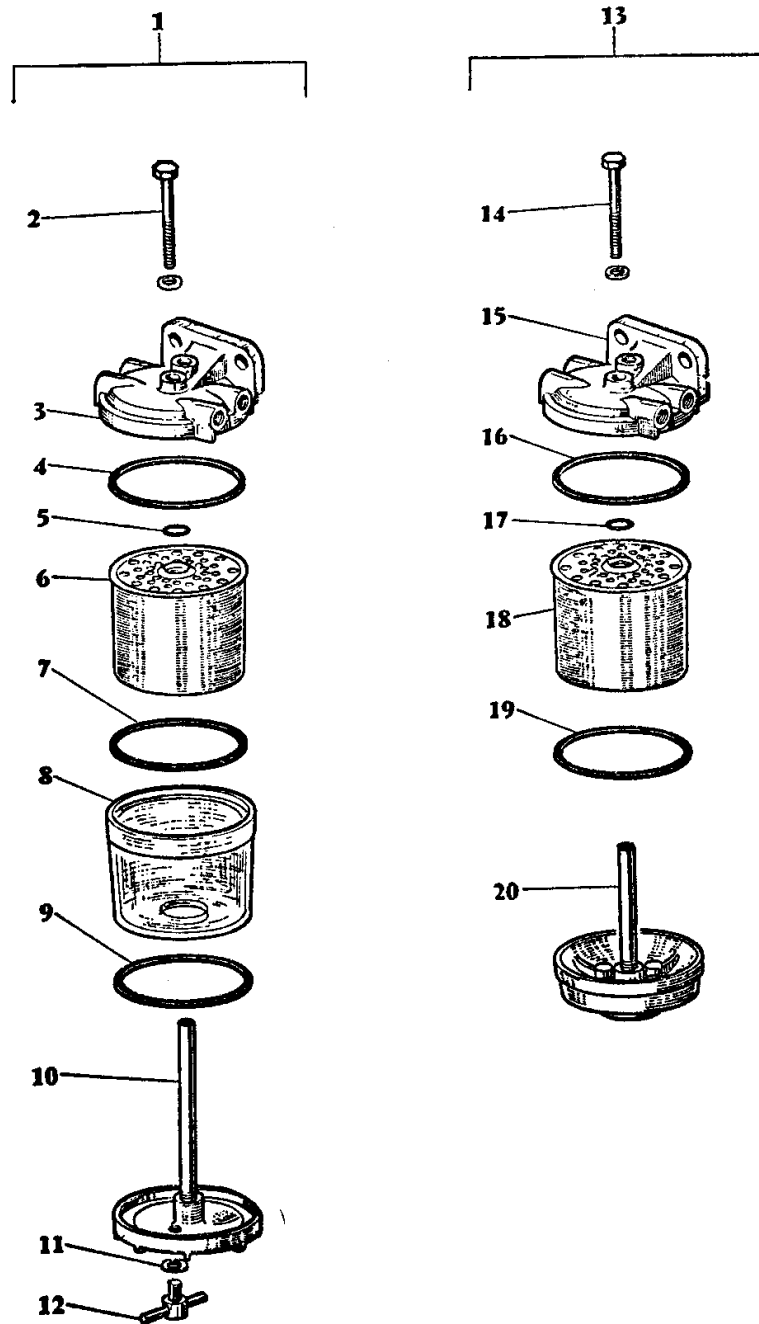
FUEL FILTERS AND PIPES

Item	Part Number	Qty	Description	Comments
1	41228006	1	Pipe	(B) INCL. NO. 33532128, 33811113 AND REF. NO. 6 AND 7
2	33533112	1	Nut	(C)
	33532128	1	Nut	
3	0566003	1	Olive	(C)
	33811113	1	Olive	
4	0576112	1	Nut	(C)
	33225413	1	Union Nut	(D)
5	0566003	1	Olive	(C)
	33811115	1	Olive	(D)
6	0180003	1	Clip	
7	0180008	1	Clip	
8	0746451	1	Screw	
9	0920054	1	Washer	
10	0201091	1	Connection	
11	0095332	1	Bolt	
12	0920112	2	Washer	
13	2656614	1	Fuel Filter	(A)
14	0650204	2	Plug	
15	0920112	2	Washer	
16	32161113	1	Plug	
17	0920146	1	Washer	
18	34237308	1	Pipe,Fuel	(B)
19	0576112	2	Nut	(C)
	33225413	2	Union Nut	(D)
20	0566003	2	Olive	(C)
	33811115	2	Olive	(D)
21	0201091	2	Connection	
22	0095332	2	Bolt	
23	0920112	4	Washer	
24	2656613	1	Fuel Filter	(A)
25	0650204	1	Plug	
26	0920112	1	Washer	
27	0096433	2	Bolt	
28	0576051	2	Nut	
29	0920054	2	Washer	
30	36217109	1	Bracket	
31	0746452	2	Setscrew	
32	0920054	2	Washer	
33	35842003	1	Pipe	INCL. NO. 33532128, 33811113 (B)
34	0576112	1	Nut	(C)
	33532128	1	Nut	
35	0566003	1	Olive	(C)
	33811113	1	Olive	
36	33533112	1	Nut	(C)
	33225413	1	Union Nut	(D)
37	0566003	1	Olive	(C)
	33811115	1	Olive	(D)
38	0201091	1	Connection	
39	0095332	1	Bolt	
40	0920112	2	Washer	
41	35842002	1	Pipe	INCL. NO. 33532128, 33811113 ()
42	33533112	2	Nut	(C)
	33532128	1	Nut	
43	0566003	1	Olive	(C)
	33811113	1	Olive	
44	0576112	1	Nut	(C)
	33225413	1	Union Nut	(D)
45	0566003	1	Olive	(C)
	33811115	1	Olive	(D)
46	0201091	1	Connection	
47	0095332	1	Bolt	
48	0920112	2	Washer	
49	34416134	1	Pipe,Fuel	(E)

**FUEL FILTERS AND PIPES**

<b>Item</b>	<b>Part Number</b>	<b>Qty</b>	<b>Description</b>	<b>Comments</b>
50	0576111	2	Nut	(C)
	33225112	2	Nut	
51	0566002	2	Olive	(C)
	33811112	2	Olive	
52	0201398	1	Connection	
53	0095344	1	Bolt	
54	0920146	2	Washer	
			(A)	See Page - Reference Number 35
			(B)	From Serial or Engine Number 236FA8303 Up to Serial or Engine Number 236FA8302 Not serviced, order 33225413/33881118
			(C)	Up to Serial or Engine Number 236FA8302
			(D)	WITH 41228006, 34237308,035842003, 35842002
			(E)	From Serial or Engine Number 236FA8303 Up to Serial or Engine Number 236FA8302 Not serviced, order 33225112/33811112

KRAFTSTOFFFILTER  
 FILTERS OIL  
 FILTRES A COMBUSTIBLE



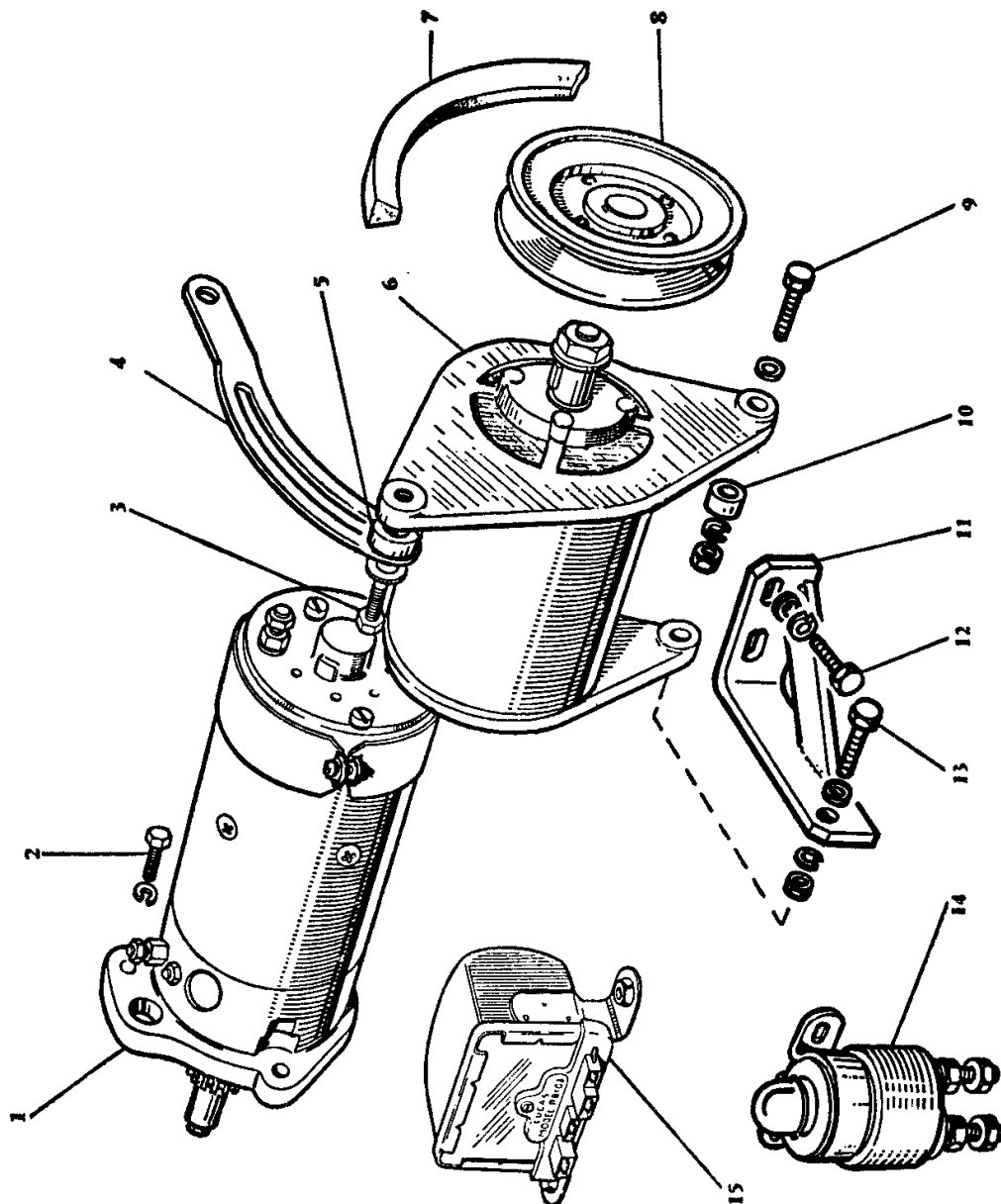
65.50

FILTERS OIL

Item	Part Number	Qty	Description	Comments
1	2656614	1	Fuel Filter	INCL. NO. 1-12
2	26560053	1	Bolt	
	26560016	1	Washer	
3	1632799M1	1	Head	
4	0490786	1	Joint	
5	26560014	1	Seal	
6		1	Element	INCL. NO. 4, 5, 7
	960689M91	X	Packer	INCL. 3 NO. 6
7	0490786	1	Joint	
8	26560075	1	Container	
9	0490786	1	Joint	
10	1026560M91	1	Container	
11	26560067	1	Washer	
12	26560066	1	Plug	
13	2656613	1	Fuel Filter	INCL. NO. 14-20
14	26560053	1	Bolt	
	26560016	1	Washer	
15	1632799M1	1	Head	
16	0490786	1	Joint	
17	26560014	1	Seal	
18		1	Element	INCL. NO. 16, 17, 19
	960689M91	X	Packer	INCL. 3 NO. 18
19	0490786	1	Joint	
20	26560039	1	Container	

(A)  
ORDER PACK

ELEKTRISCHE ANLAGE  
ELECTRICAL EQUIPMENT  
ÉQUIPEMENT ÉLECTRIQUE



65451

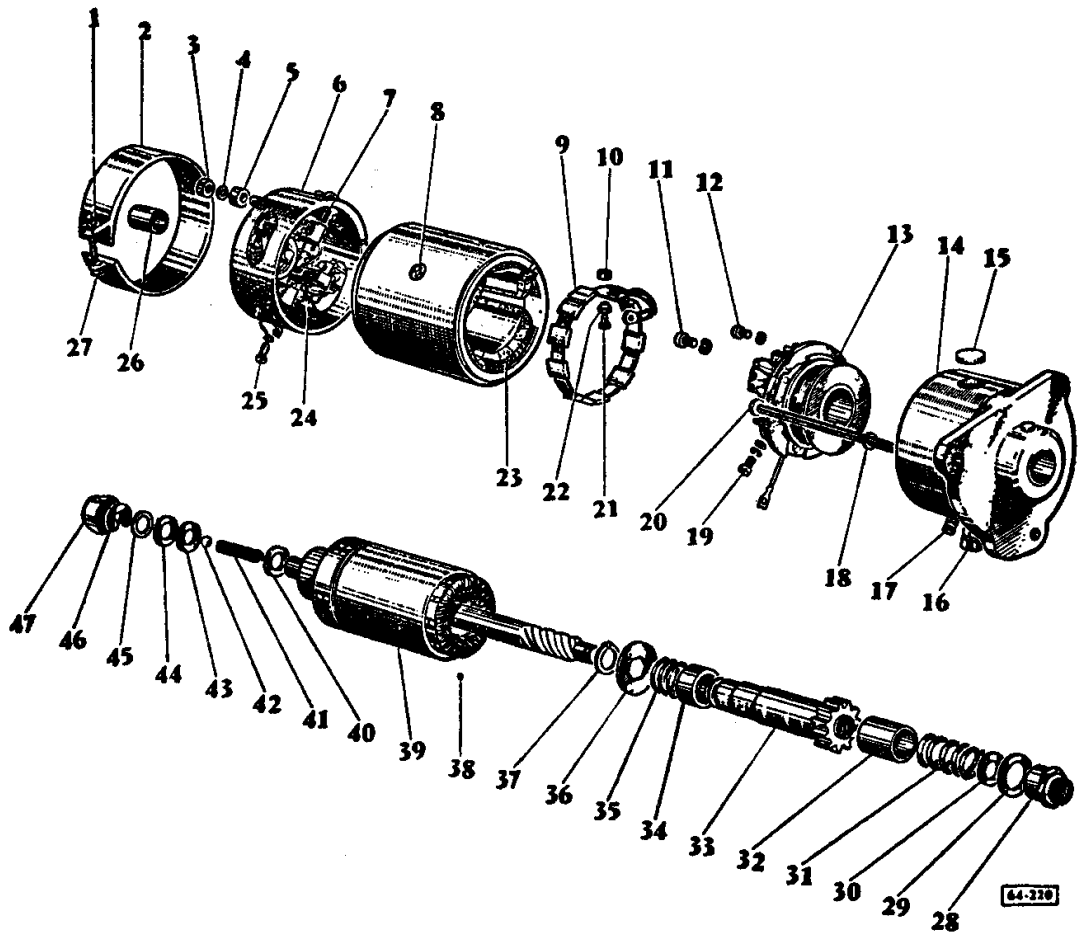
ELECTRICAL EQUIPMENT

Item	Part Number	Qty	Description	Comments
1	894031M91	1	Startermotor	
2	0748523	3	Screw	
	0920054	3	Washer	
3	0748416	1	Screw	
	0920497	1	Washer	
4	36544324	1	Lever	
5	33135413	1	Spacer	
6	892447M91	1	Dynamo	(A, C)
	897104M92	1	Dynamo	(B, C)
7	0070108	1	Belt	
8	31141425	1	Pulley	
9	0096236	1	Bolt	
	0920497	1	Washer	
	0920053	1	Washer	
	0576002	1	Nut	
10	33135413	1	Spacer	
11	38122373	1	Bracket	
12	0746255	2	Setscrew	
	0920003	2	Washer	
	0920053	2	Washer	
13	0096201	1	Bolt	
	0746257	1	Screw	
	0920497	1	Washer	
	0920053	1	Washer	
	0576002	1	Nut	
14	2848209	1	Switch	
15	2872636	1	Regulator	

(A)  
Up to Serial or Engine Number 236FA19010  
(B)  
From Serial or Engine Number 236FA19011  
(C)  
See Page - Reference Number 39, 43, 44  
(D)  
ALTERNATIVE



ANLASSER "CAV"  
 STARTER "CAV"  
 DÉMARREUR "CAV"



**MASSEY FERGUSON**

**MF 187 COMBINE ENGINE, A4.236, I-> 236FA6035 - 1646108**

**1646108**

**STARTER "CAV"**

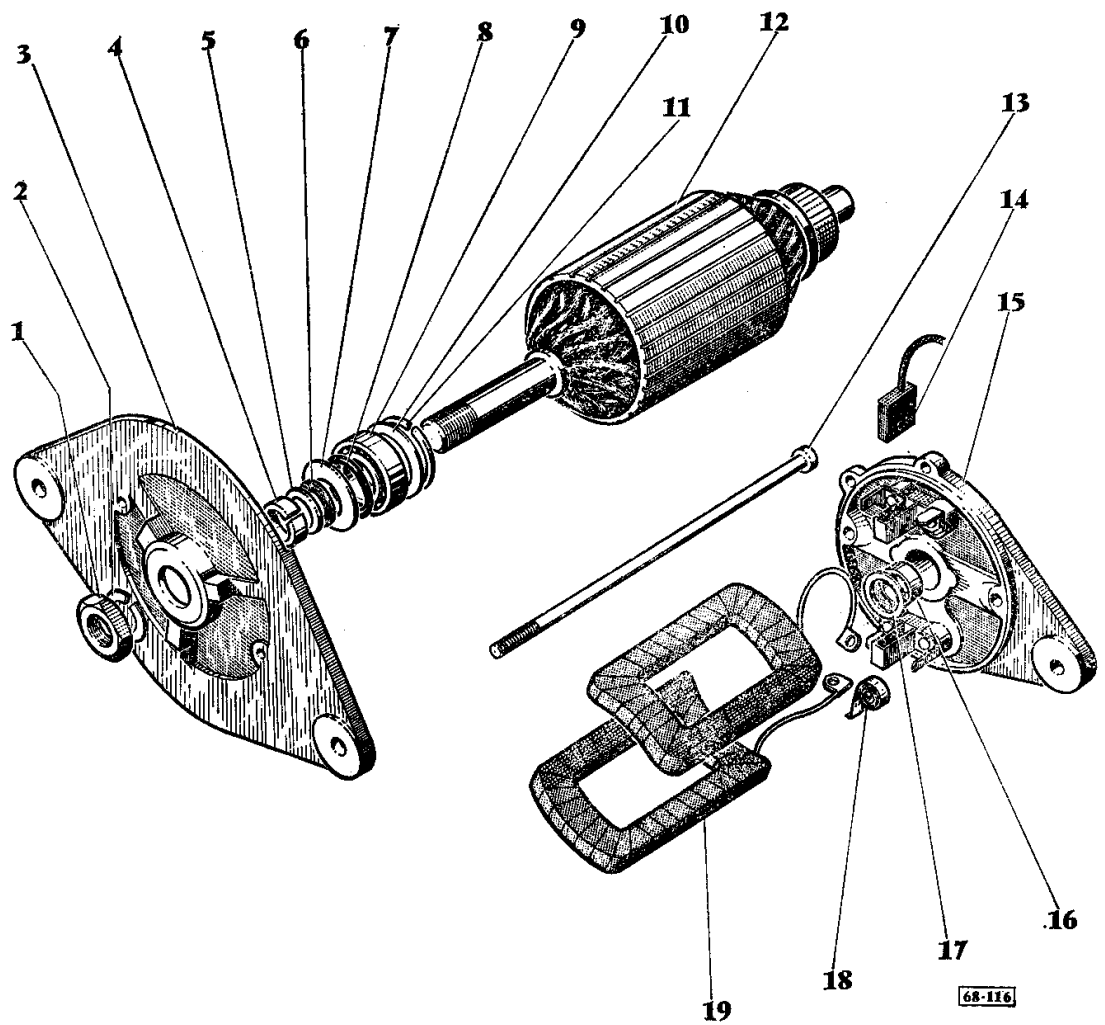
**39**

Item	Part Number	Qty	Description	Comments
	894031M91	1	Startermotor	
1	1713930M1	1	Nut	
2	1028533M91	1	Band	INCL. NO. 1 & 27
3	1713931M1	1	Nut	
4	1852436M1	1	Washer	
5	1028535M1	4	Spacer	
6	1028534M91	1	Bracket	INCL. NO. 3, 4, 5, 24 AND 26
7	1028536M1	1	Brush	
8	1713933M1	4	Screw	
9	1028539M1	1	Resistor	
10	1028540M1	1	Spacer	
11	1713350M1	2	Setscrew	
	1852440M1	2	Washer	
12	1713937M1	2	Setscrew	
	1852440M1	1	Washer	
13	1028542M91	1	Solenoid Switch	
14	1713961M91	1	Bearing Carrier	
	1028544M1	1	Plug	
	1021412M1	1	Spring	
	1852508M1	1	Bumper	
	1028545M1	1	Gasket	
15	1028546M1	2	Plug	
16	1028550M1	1	Terminal	
	1713931M1	2	Nut	
	1832436M1	2	Washer	
	1713943M1	1	Washer	
	1028551M1	2	Washer	
	1852511M1	2	Bush	
	1028552M1	1	Isolator	
	1825515M1	1	Setscrew	
	1713945M1	1	Washer	
	1028553M1	1	Bush	
17	1028547M1	1	Terminal	
	1852520M1	2	Nut	
	1852440M1	2	Washer	
	1852439M1	1	Washer	
	1028548M1	1	Bush	
	1028549M1	1	Isolator	
18	1713346M1	2	Washer	
19	1713350M1	2	Bolt	
	1852439M1	2	Washer	
	1852440M1	2	Washer	
20	1852414M1	2	Bolt	
21	1713347M1	1	Rivet	
22	1028541M1	1	Bush	
23	1028537M1	1	Coil	
	1028538M1	X	Isolator	
	1713953M1	X	Isolator	
24	1852534M1	4	Spring	
25	1852536M1	4	Screw	
	1852440M1	4	Washer	
26	1024384M1	1	Bush	
27	1713929M1	1	Bolt	
28	1028561M1	1	Nut	
29	1713950M1	1	Washer	
30	1713949M1	1	Washer	
31	1028560M1	1	Spring	
32	1028550M1	1	Sleeve	
33	1028558M1	1	Pinion	
34	1852495M1	1	Collar	
35	1632795M1	1	Spring	
36	1028556M1	1	Bush	
37	1713947M1	1	Clip	
38	1024377M1	4	Ball	
39	1028555M1	1	Armature	
	1852510M1	X	Shim	(.012")
41	1852538M1	1	Spring	
42	1852426M1	1	Ball	
43	1852539M1	1	Washer	

**MASSEY FERGUSON****MF 187 COMBINE ENGINE, A4.236, I-> 236FA6035 - 1646108****1646108****STARTER "CAV"****39**

<b>Item</b>	<b>Part Number</b>	<b>Qty</b>	<b>Description</b>	<b>Comments</b>
44	1852509M1	X	Shim	(.008")
	1852510M1	X	Shim	(.012")
45	1852540M1	X	Washer	(.034")
46	1852517M1	1	Clip	
47	1028554M1	1	Cap	

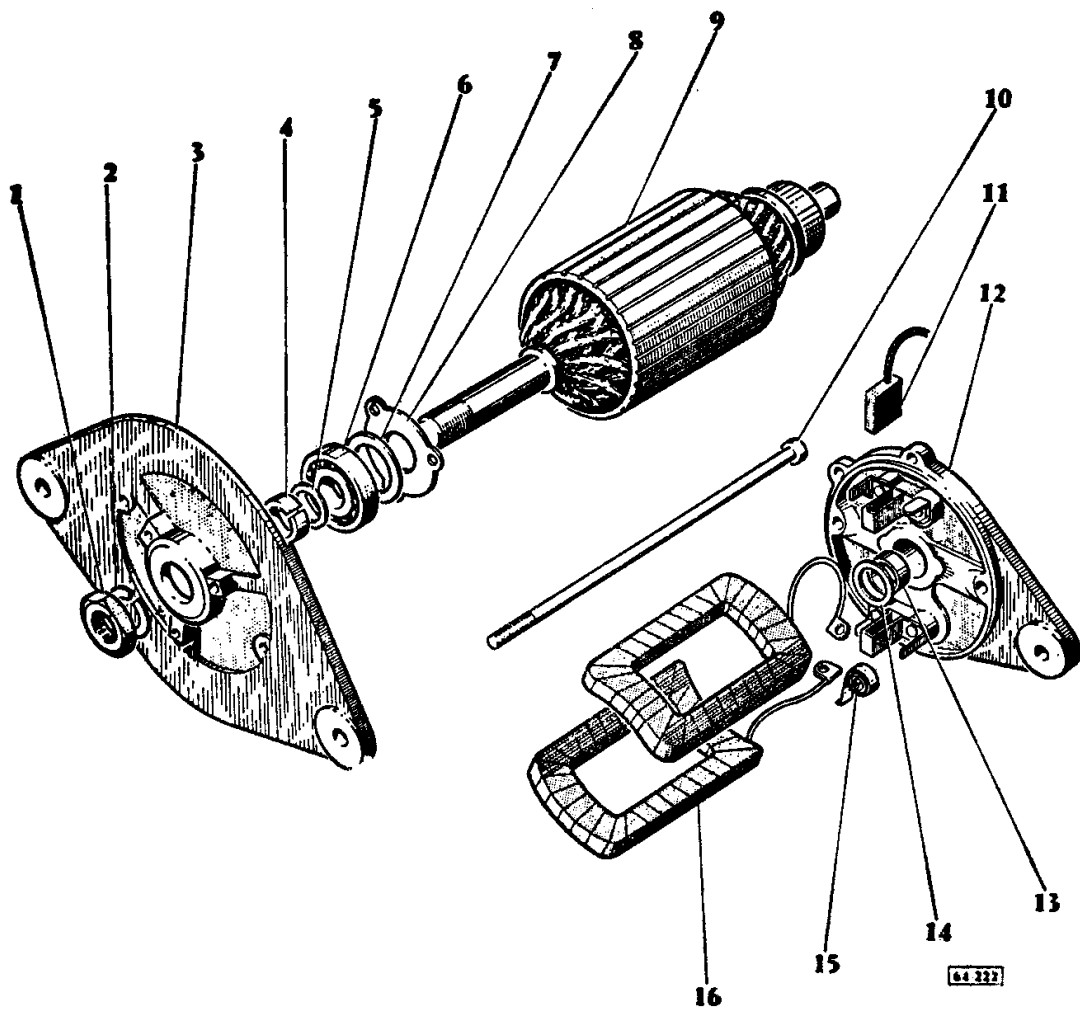
LICHTMASCHINE 897 104 M92 "LUCAS"  
DYNAMO 897 104 M92 "LUCAS"  
DYNAMO 897 104 M92 "LUCAS"



**MASSEY FERGUSON****MF 187 COMBINE ENGINE, A4.236, I-> 236FA6035 - 1646108****1646108****DYNAMO 897107M92 "LUCAS"****43**

Item	Part Number	Qty	Description	Comments
1	1802033M1	1	Nut	
2	1805203M1	1	Washer	
3	1805197M91	1	Bearing Carrier	INCL. NO. 6, 7, 8, 10, 11
4	1805035M1	1	Gasket	
5	1802032M1	1	Bush	
6	1805201M1	1	Felt Ring	
7	1805198M1	1	Washer	
8	1805202M1	1	Seal	
9	1802027M1	1	Bearing	
10	1805200M1	1	Washer	
11	1805199M1	1	Circlip	
12	1802967M1	1	Armature	
13	1802037M1	2	Screw	
14	1802961M1	2	Brush	
15	1805196M91	1	Bracket	INCL. NO. 167, 18, 1802936M1, 1802022M1
	1802963M1	1	Greaser	
	1802022M1	1	Plug	
16	1802020M1	1	Bearing	
17	1802036M1	1	Washer	
18	1802964M1	2	Spring	
19	1802968M91	2	Coil	INCL. 1804248M1
	1804248M1	2	Parts Pack	NOT ILLUSTRATED
	1804249M1	1	Parts Pack	

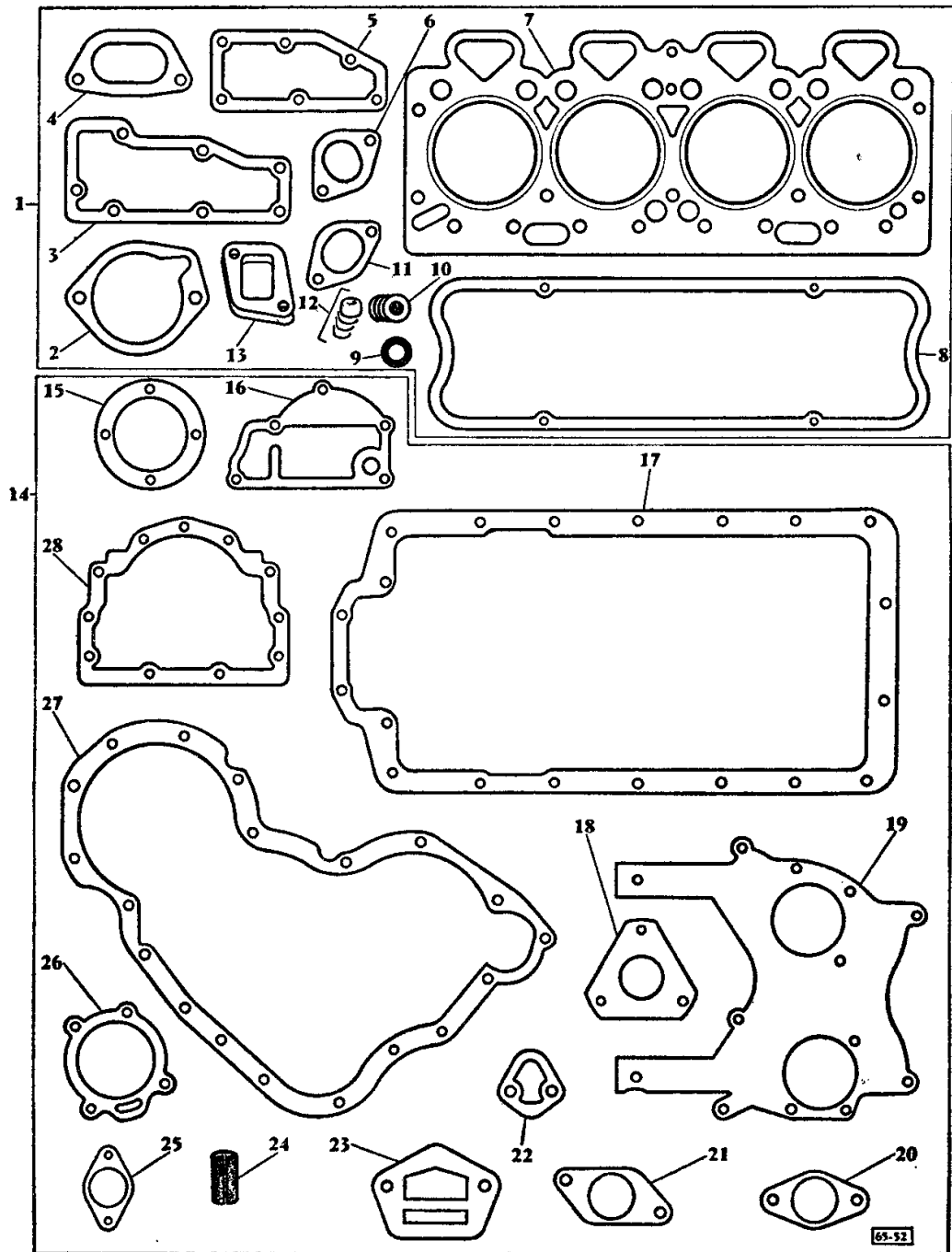
LICHTMASCHINE  
DYNAMO  
DYNAMO



**MASSEY FERGUSON****MF 187 COMBINE ENGINE, A4.236, I-> 236FA6035 - 1646108****1646108****DYNAMO****44**

<b>Item</b>	<b>Part Number</b>	<b>Qty</b>	<b>Description</b>	<b>Comments</b>
	892447M91	1	Dynamo	(C 40 A) INCL. NO. 1-16
1	353426X1	1	Nut Unf	
2	353432X1	1	Lock Washer	
3	1802965M1	1	Bracket	
4		1	Bush	(A)
5		1	Washer	(A)
6	1802027M1	1	Bearing	
7		1	Washer	(A)
8		1	Plate	(A)
9	1802967M1	1	Armature	
10	1802037M1	2	Screw	
11	1802961M1	1	Brush	
12	1802962M91	1	Bearing Carrier	INCL. NO. 1802963M1, NO. 13, 15
	1802963M1	1	Greaser	
13	1802020M1	1	Bush	
14		1	Washer	(A)
15	1802964M1	1	Spring	
16	1802968M91	2	Coil	INCL. NO. 1804248M1
		2	Connector	
	1804248M1	1	Parts Pack	
	1804249M1	1	Kit, Sundry	
				(A) NOT SERVICED

DICHTUNGSSATZ  
 JOINTS AND GASKET-SET  
 POCHETTE DE JOINTS





JOINTS AND GASKETS SETS

Item	Part Number	Qty	Description	Comments
1	40001	X	Joint	INCL. NO. 2-13
2	36862151	1	Joint	
3	36853514	1	Joint	
4	36862133	1	Joint	
5	36851409	1	Joint	
6	36862132	1	Joint	
7	1641129M1	1	Joint	
8	36811122	1	Joint	
9	2415801	X	O Ring	
	33811113	X	Olive	
10	0921173	4	Washer	
11	36862131	1	Joint	
12	33817117	8	Seal	
13	36862134	2	Joint	
14	83413	X	Joint	INCL. NO. 15-28
15	33825419	1	Joint	
16	36867138	1	Joint	
17	36815705	1	Joint	(A)
	1641099M1	1	Joint	(A)
18	0490685	1	Joint	
19	36814123	1	Joint	
20	36833119	1	Joint	
21	36862138	1	Joint	
22	36862166	1	Joint	
23	36862517	2	Joint	
24	32811408	2	Joint	
25	0490355	1	Joint	
26	36866721	1	Joint	
27	36813137	1	Joint	
28	36817136	1	Joint	

(A)  
Alternative