



The Professional's Choice

# Parts Pricelist 2016

# EXPORT



Identify your parts with the research by  
serial number on our PARTS website:  
[www.parts.agrisem.com](http://www.parts.agrisem.com)



AGRISEM INTERNATIONAL confidential pricelist - January 2016

Documentation, photos and non contractual technical data can be modified without prior notice.

# Contents page

## Blades

4 to 23

Combiplow  
Cultiplow  
Maximulch  
Agromulch  
Agroplow  
Easy-Carbi



## Bolts Shear / Swivel

24 to 27

Combiplow  
Cultiplow  
Maximulch  
Agromulch  
Agroplow



## Hubs

28 to 33

Disc-O-Sem  
Disc-O-Mulch  
Maximulch  
Combimulch  
Combi-O-Sem / Locasem



## 3D Security

34 to 41

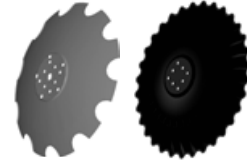
Disc-O-Mulch  
Maximulch  
Combimulch  
Agromulch  
Vibromulch / Vibrosem  
Vibrogerm



## Discs

45 to 47

Disc-O-Sem  
Disc-O-Mulch  
Maximulch  
Combimulch



## Shares

48 to 49

Agromulch  
Locasem  
Vibromulch / Vibrosem



## Kit

50 to 58

Disc-O-Mulch  
Maximulch  
Combimulch



## Power harrow

59

Actimulch

## Sem

60 to 64

Disc-O-Sem  
Tri-O-Sem  
Accessories



## Roller accessories

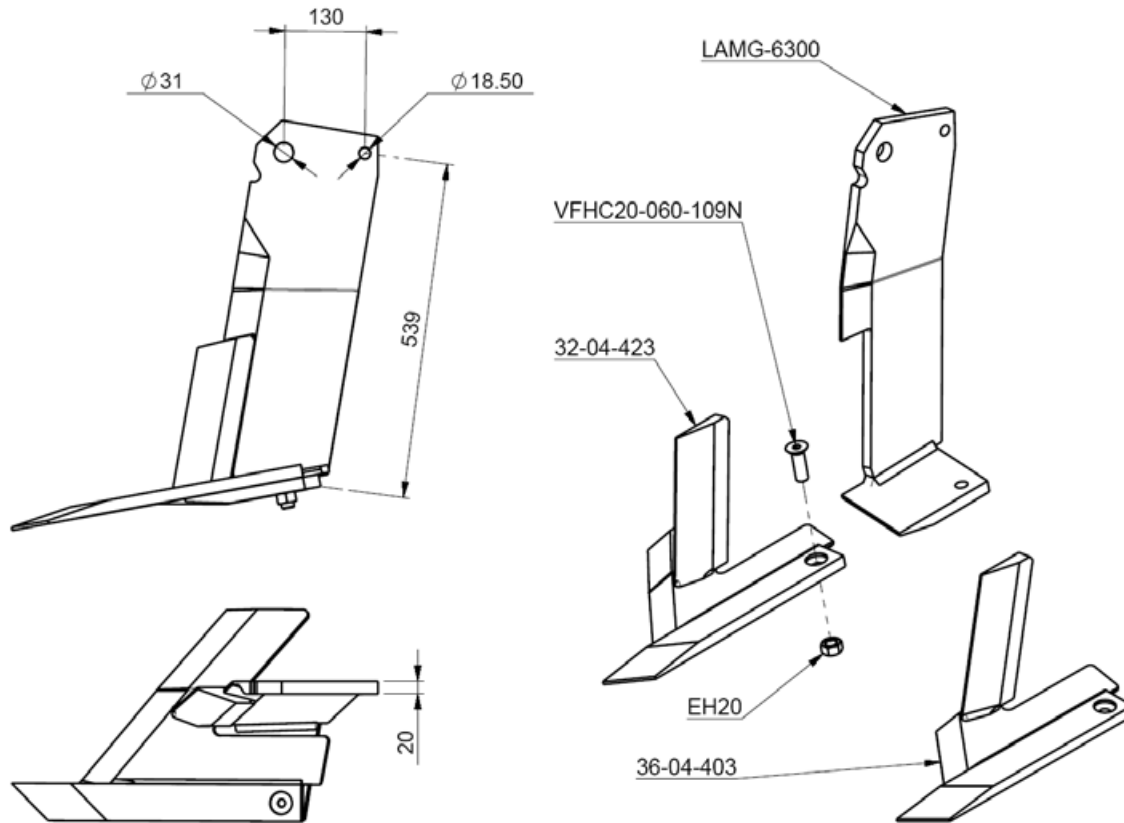
65

## Parts Pricelist

66 to 92

# Left hand Combiplow 20 x 600 blade kit «36-04-411 / 32-04-411»

Lauching date: May 1999



Code	Description	Qty	Weight
36-04-411	<b>Left hand Combiplow kit 20x600 blade with standard ploughshare</b> (blade alone + standard ploughshare + leading edges + bolting)	1	29,5 Kg
32-04-411	<b>Left hand Combiplow kit 20x600 blade with winged ploughshare</b> (blade alone + twinplow ploughshare with wing + attack edges + bolting)	1	31,5
LAMG-6300	Left hand Combiplow 20x600 blade alone	1	19,5
36-04-403	Standard left hand Combiplow ploughshare	1	9,7
32-04-423	Left hand Twinplow F1 winged ploughshare	1	11,5
36-04-405	Fixing bolt for ploughshare (VFHC20-060-109N + EH20)	1	0,23
	<b>Bolt security and attachment bolt for blade</b> (see specific pages)		

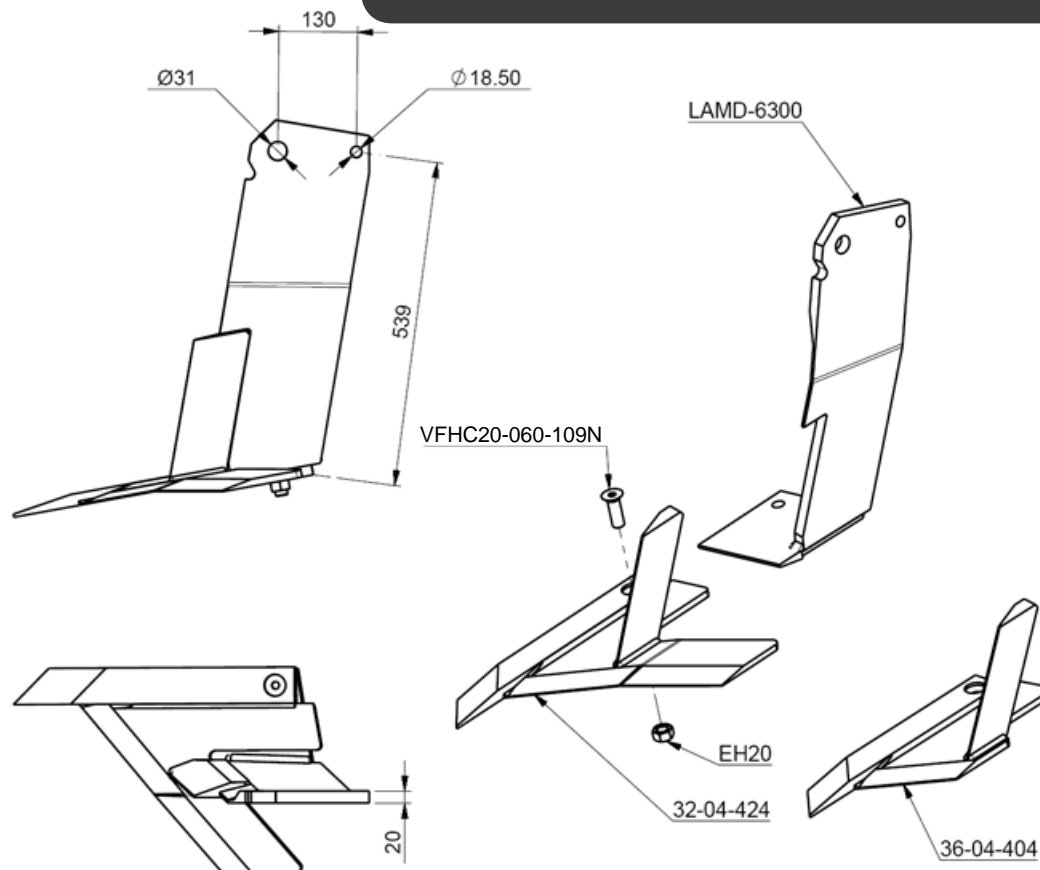
## Compatible parts

Type of part	Code	Description
<b>Blade supports</b>	36-03-330/340	Blade support kit 24 x 160 Left/Right (under beam 160mm)
	SL-160-031/032	Blade support kit 24 x 160 with short drift Left/Right
	28-03-330/340	Blade support kit 24 x 200 Left/Right (under beam 200mm)
	SL200-001/002	Blade support kit 24 x 200 with long rear drift Left/Right
	SL200-003/004	Blade support kit 24 x 200 with short rear drift Left/Right
	36-03-350	Blade support kit with point arm for COMBILOW 36 and 36S
	28-03-600	Blade arm CULTILOW 42
	38-03-624	Blade extension COMBILOW 38SR

<b>Equipped machines</b>	COMBILOW	31+ - 32E - 32S - 36E - 36S - 35D - 38SR (equipped with COMBI 600 blades)
	CULTILOW	24 - 25 - 27 - 42 - 51 - 51+ - 51P - 51R - 53 - 53+ (equipped with COMBI600 blades)

# Right hand Combiplow 20 x 600 blade kit «36-04-412 / 32-04-412»

Lauching date: May 1999



Code	Description	Qty	Weigh
36-04-412	<b>Right hand Combiplow kit 20x600 blade with standard ploughshare</b> (blade alone + standard ploughshare + leading edges + bolting)	1	29,5 Kg
32-04-412	<b>Right hand Combiplow kit 20x600 blade with wing ploughshare</b> (blade alone + twinplow ploughshare with wing + attack edges + bolting)	1	31,5
LAMD-6300	Right hand Combiplow 20x600 blade alone	1	19,5
36-04-404	Standard right hand Combiplow ploughshare	1	9,7
32-04-424	Right hand Twinplow F1 winged ploughshare	1	11,5
36-04-405	Fixing bolt for ploughshare (VFHC20-060-109N + EH20)	1	0,23
	<b>Bolt security and attachment bolt for blade</b> (see specific pages)		

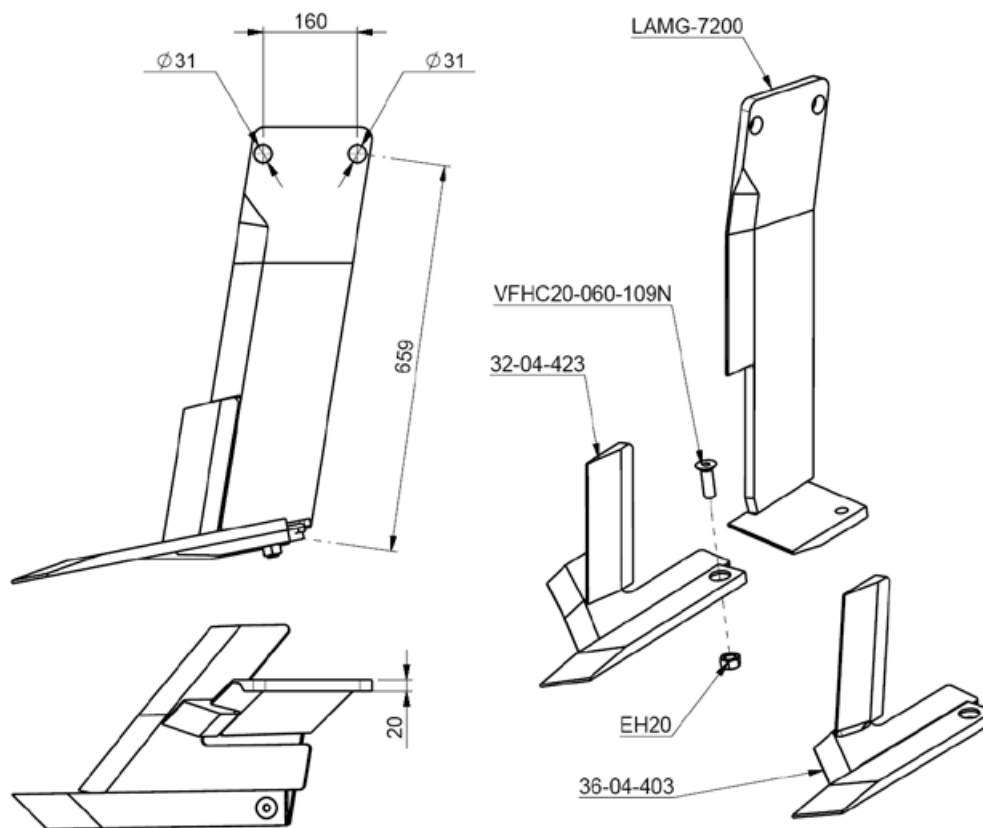
## Compatible parts

Type of part	Code	Description
Blade supports	36-03-330/340	Blade support kit 24 x 160 Left/Right (under beam 160mm)
	SL-160-031/032	Blade support kit 24 x 160 with short drift Left/Right
	28-03-330/340	Blade support kit 24 x 200 Left/Right (under beam 200mm)
	SL200-001/002	Blade support kit 24 x 200 with long rear drift Left/Right
	SL200-003/004	Blade support kit 24 x 200 with short rear drift Left/Right
	36-03-350	Blade support kit with point arm for COMBILOW 36 and 36S
	28-03-600	Blade arm CULTILOW 42
	38-03-624	Blade extension COMBILOW 38SR

Equipped machines	Code	Description
Equipped machines	COMBILOW	31+ - 32E - 32S - 36E - 36S - 35D - 38SR (equipped with COMBI 600 blades)
	CULTILOW	24 - 25 - 27 - 42 - 51 - 51+ - 51P - 51R - 53 - 53+ (equipped with COMBI600 blades)

# Left hand Combiplow 20 x 720 blade kit «40-04-411 / 60-04-413»

Launching date: November 1999



Code	Description	Qty	Weight
40-04-411	Left hand Combiplow 20x720 blade kit with standard ploughshare (blade alone + standard ploughshare + bolting)	1	33 Kg
60-04-413	Left hand Combiplow 20x720 blade kit with ploughshare Twinplow with wing (blade alone + twinplow ploughshare with wing + bolting)	1	35
LAMG-7200	Left hand Combiplow 20x720 blade alone	1	23,1
36-04-403	Left hand standard Combiplow ploughshare	1	9,7
32-04-423	Left hand Twinplow winged ploughshare	1	11,5
36-04-405	Fixing bolt for ploughshare (VFHC20-060-109N)	1	0,23

## Compatible parts

Type of part	Code	Description
Blade supports	52-03-514	Blade arm (CULTILOW 52)
	52-03-114	Spring security kit (CULTILOW 52)
	52-03-003	Extension kit for for greater under frame clearance (+ 130mm)
	60-03-330/340	Left/Right blade support kit and bolt security (CULTILOW 60 - 65)
	40-03-301	Left/Right Blade support arm (COMBILOW 40 adaptable with 40-03-306)
	41-03-301	Left/Right Blade support arm (COMBILOW 41 adaptable with 40-03-306)
	42-03-301	Left/Right Blade support arm (COMBILOW 42 adaptable with 40-03-306)
	40-03-306	Ring thickness 40 for blade support (COMBILOW 40)

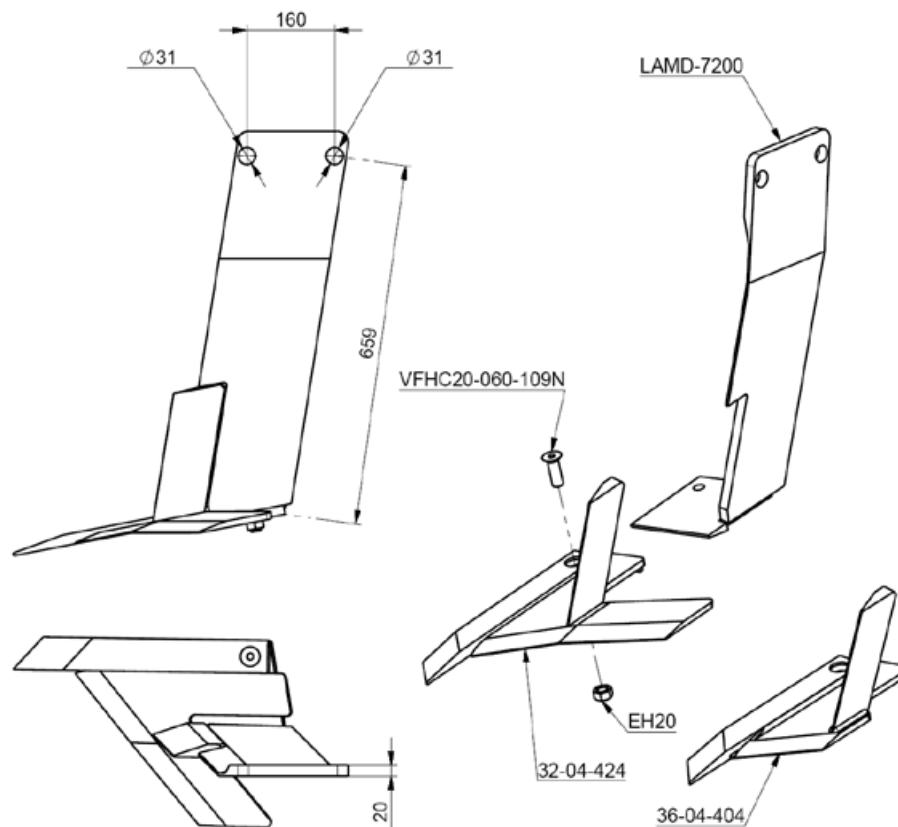
Equipped machines	COMBILOW	40SB - 41SH - 42SBT - 48SR (equipped with COMBI 720 blades)
	CULTILOW	52 - 52P - 52R - 54 - 54P - 60 - 65 (equipped with COMBI 720 blades)



# Right hand Combiplow 20 x 720 blade kit

«40-04-412 / 60-04-414»

Launching date: November 1999



Code	Description	Qty	Weight
40-04-412	Right hand Combiplow 20x720 blade kit with standard ploughshare (blade alone + standard ploughshare + bolting)	1	33 Kg
60-04-414	Right hand Combiplow 20x720 blade kit with ploughshare twinplow with wing (blade alone + twinplow winged ploughshare + bolting)	1	35
LAMD-7200	Left hand blade alone Combiplow 20x720	1	23,1
36-04-404	Left hand standard Combiplow ploughshare	1	9,7
32-04-424	Left hand Twinplow winged ploughshare	1	11,5
36-04-405	Fixing bolt for ploughshare (VFHC20-060-109N)	1	0,23

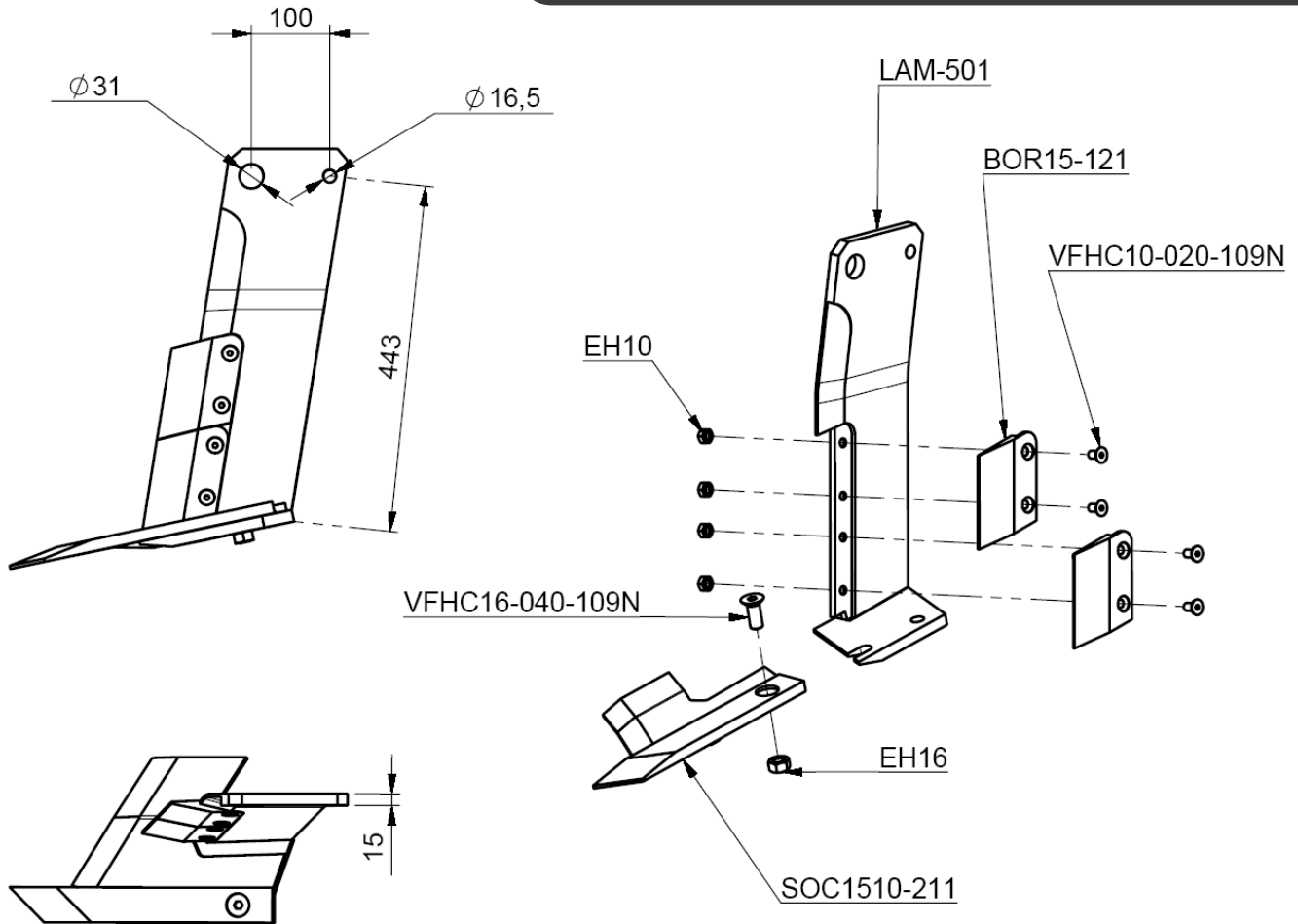
## Compatible parts

Type of part	Code	Description
Blade supports	52-03-114	Spring security kit (CULTILOW 52)
	52-03-003	Extension kit for for greater under frame clearance (+ 130mm)
	60-03-330/340	Left/Right blade support kit and bolt security (CULTILOW 60 - 65)
	40-03-301	Left/Right Blade support arm (COMBILOW 40 adaptable with 40-03-306)
	41-03-301	Left/Right Blade support arm (COMBILOW 41 adaptable with 40-03-306)
	42-03-301	Left/Right Blade support arm (COMBILOW 42 adaptable with 40-03-306)
	40-03-306	Ring thickness 40 for blade deport (COMBILOW 40)

Equipped machines	COMBILOW	40SB - 41SH - 42SBT- 48SR (equipped with COMBI 720 blades)
	CULTILOW	52 - 52P - 52R - 54 - 54P - 60 - 65 (equipped with COMBI 720 blades)

# Left hand Agrisem 15 x 500 blade kit «AGR15-501»

Launching date: September 1999



Code	Description	Qty	Weight
<b>AGR15-501</b>	<b>Left hand AGRISEM 15x500 blade kit with wing ploughshare</b> (blade alone + twin-plow ploughshare with wing + leading edges + bolting)	<b>1</b>	<b>14 Kg</b>
LAM-501	Left hand blade alone AGRISEM 15x500	1	8,7
SOC1510-211	Left hand twinplow winged ploughshare AGRISEM 15-10	1	3,4
15-04-405	Fixing bolt for ploughshare (VFHC16-040-109N + EH16)	1	0,11
BOR15-121	Left hand leading edge AGRISEM 15x120	2	0,7
15-04-406	Fixing bolt for leading edge (VFHC10-020-109N + EH10)	4	0,02
	<b>Bolt security and attachment bolt for blade</b> (see specific pages)		

## Compatible parts

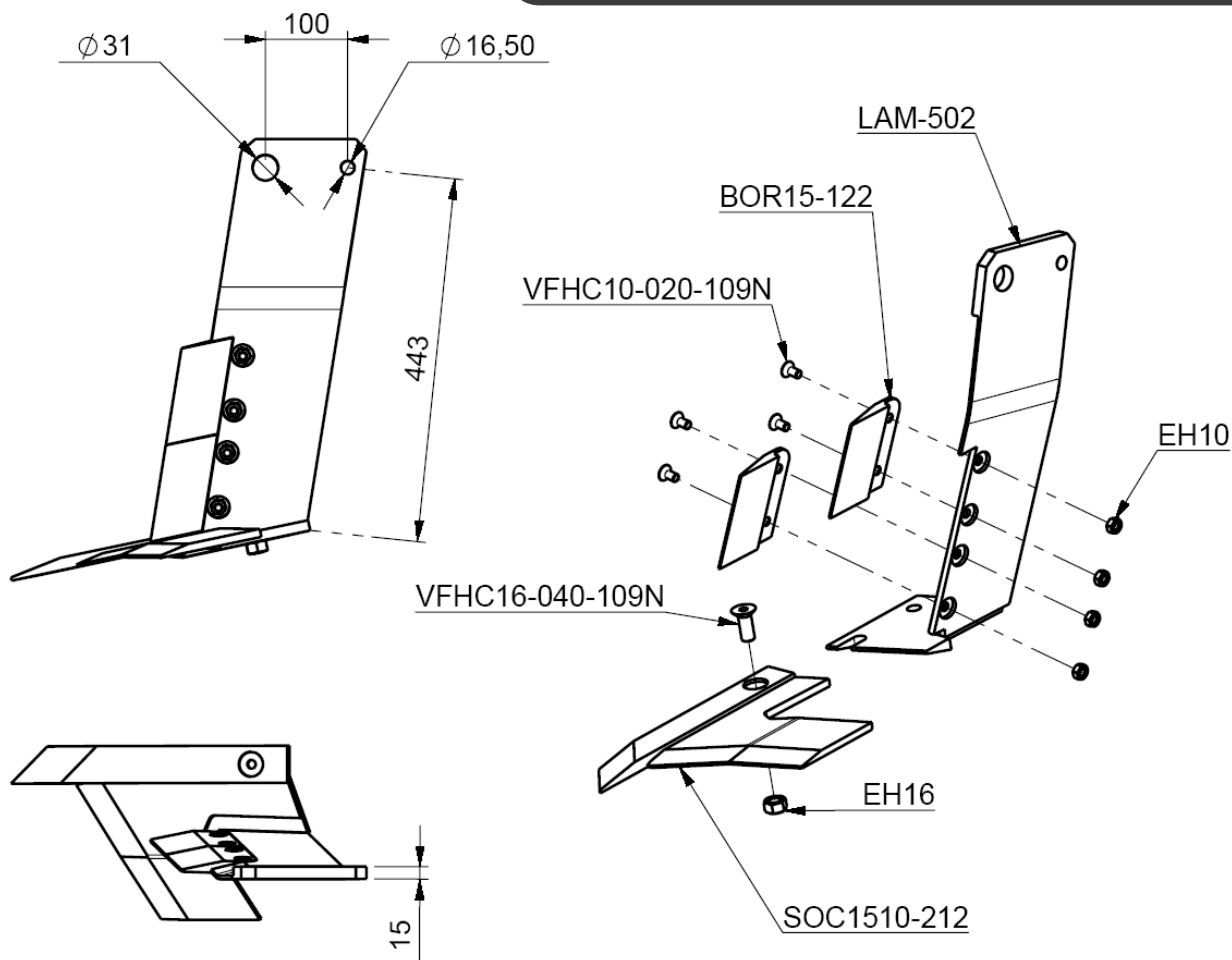
Type of part	Code	Description
<b>Blade supports</b>	SL-120-021/022	Blade support kit 20 x 120 Left/Right (rear drift)
	SL-120-023	Blade support kit 20 x 120 front drift
	SL-120-501	Left hand blade support kit 20 x 120 (fixed under the beam)
	AGM01-03-511	Left hand non-stop spring security kit for AGROMULCH
	AGM01-03-512	Right hand non-stop spring security kit for AGROMULCH
	AGM01-03-513	Left hand non-stop spring security kit for AGROMULCH
	AGM01-03-514	Right hand non-stop spring security kit for AGROMULCH

Equipped machines	Code	Description
<b>Equipped machines</b>	AGROMULCH*	AGROMULCH non-stop and bolt security
	CULTIPLow	15
	Other machines	ACTIMULCH - COMBIPLow 16, 20S - ACTIMULCH



# Right hand Agrisem 15 x 500 blade kit «AGR15-502»

Launching date: September 1999



Code	Description	Qty	Weight
<b>AGR15-502</b>	<b>Right hand AGRISEM 15x500 blade kit wih wing ploughshare</b> (blade alone + twinplow ploughshare with wing + leading adges + bolting)	<b>1</b>	<b>14 Kg</b>
LAM-502	Right hand blade alone AGRISEM 15x500	1	8,7
SOC1510-212	Right hand twinplow winged ploughshare AGRISEM 15-10	1	3,4
15-04-405	Fixing bolt for ploughshare (VFHC16-040-109N + EH16)	1	0,11
BOR15-122	Left hand attack leading AGRISEM 15x120	2	0,7
15-04-406	Fixing bolt for attack leading (VFHC10-020-109N + EH10)	4	0,02
	<b>Bolt security and attachment bolt for blade</b> (see specific pages)		

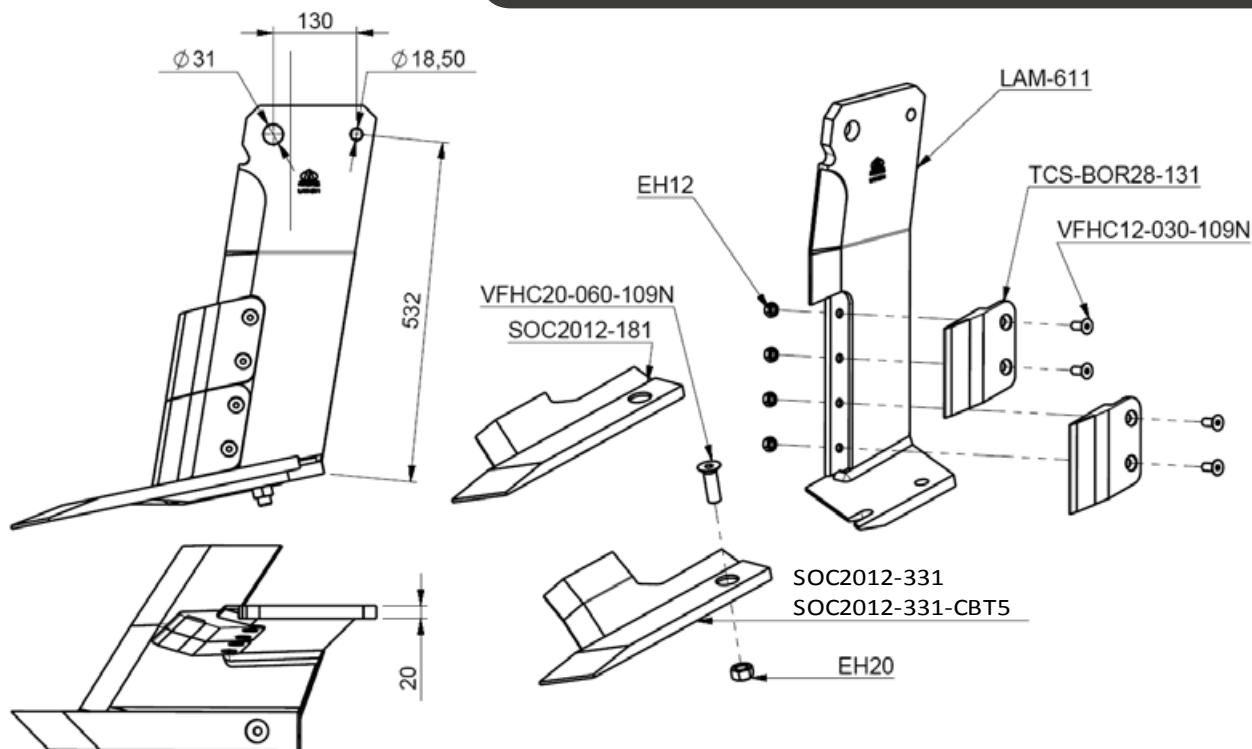
## Compatible parts

Type of part	Code	Description
<b>Blade supports</b>	SL-120-021/022	Blade support kit 20 x 120 Left/Right (rear drift)
	SL-120-023	Blade support kit 20 x 120 front drift
	SL-120-501	Left hand blade support kit 20 x 120 (fixed under the beam)
	AGM01-03-511	Left hand non-stop spring security kit for AGROMULCH
	AGM01-03-512	Right hand non-stop spring security kit for AGROMULCH
	AGM01-03-513	Left hand non-stop spring security kit for AGROMULCH
	AGM01-03-514	Right hand non-stop spring security kit for AGROMULCH

Equipped machines		
AGROMULCH		AGROMULCH non-stop and bolt security
CULTIPLow	15	
Other machines		ACTIMULCH - COMBIPLow 16, 20S - ACTIMULCH*

# Left hand Agrisem 20 x 610 blade kit «AGR20-613 / 611 / CBT5»

Launching date: November 1998



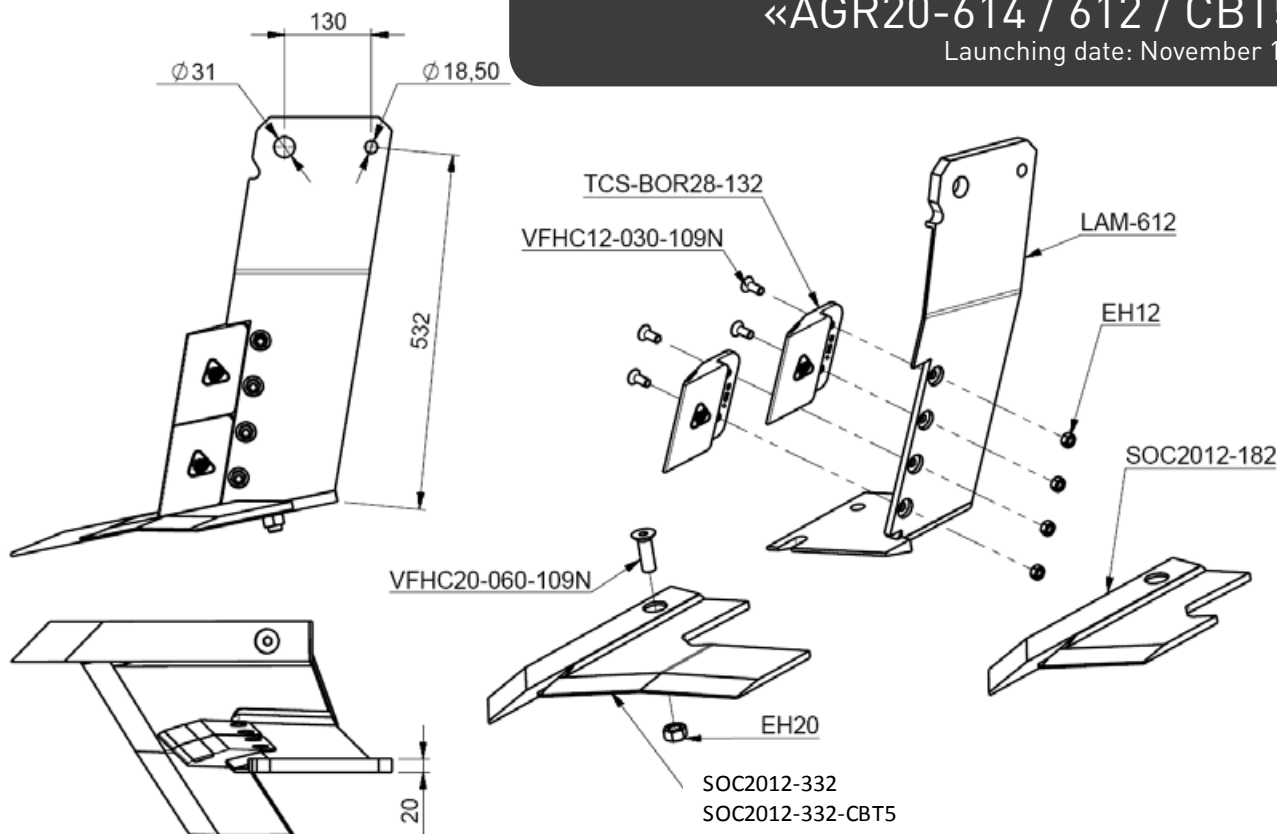
Code	Description	Qty	Weight
AGR20-613	Left hand AGRISEM 20x610 blade kit with standard ploughshare (blade alone + standard ploughshare + leading edges + bolting)	1	29,55 Kg
AGR20-611	Left hand AGRISEM 20x610 blade kit with wing ploughshare (blade alone + winged ploughshare + leading edges + bolting)	1	31,5
AGR20-611-CBT5	Left hand AGRISEM 610 Left blade kit CARBOTECH with winged ploughshare (blade alone + winged carbotech ploughshare + leading edges + bolting)	1	31,5
LAM-611	Left hand AGRISEM blade alone 20x610	1	19,7
SOC2012-181	Standard left hand AGRISEM ploughshare	1	6,7
SOC2012-331	Left hand AGRISEM winged ploughshare	1	8,6
SOC2012-331-CBT5	Left hand AGRISEM ploughshare with CARBOTECH wing	1	9,8
36-04-405	Fixing bolt for ploughshare (VFHC20-060-109N + EH20)	1	0,23
TCS-BOR28-131	Left hand leading edge 28x130	2	2,4
36-04-406	Fixing bolt for leading edge (VFHC12-030-109 + EH12)	4	0,05
	<b>Bolt security and attachment bolt for blade</b> (see specific pages)		

## Compatible parts

Type of part	Code	Description
<b>Blade supports</b>	36-03-330/340	Blade support kit 24 x 160 Left/Right (under frame 160mm)
	SL-160-001/002	Blade support kit 24 x 160 large Left/Right (under frame 160mm)
	SL-160-031/032	Blade support kit 24 x 160 with short drift Left/Right
	28-03-330/340	Blade support kit 24 x 200 Left/Right (under frame 200mm)
	SL200-001/002	Blade support kit 24 x 200 drifted long rear Left/Right
	SL200-003/004	Blade support kit 24 x 200 drifted short rear Left/Right
	36-03-350	Blade support kit with point arm for COMBILOW 36 et 36S
	28-03-600	Blade arm CULTILOW 42
	38-03-624	Blade extension COMBILOW 38SR
<b>Equipped machines</b>	COMBILOW	31+ - 32E - 32S - 36E - 36S - 35D - 38SR (equipped with AGR610* blades)
	CULTILOW	24 - 25 - 27 - 42 - 51 - 51+ - 51P - 51R - 53 - 53+ (equipped with GR610* blades)

# Kit lame Agrisem 20 x 610 droit «AGR20-614 / 612 / CBT5»

Launching date: November 1998



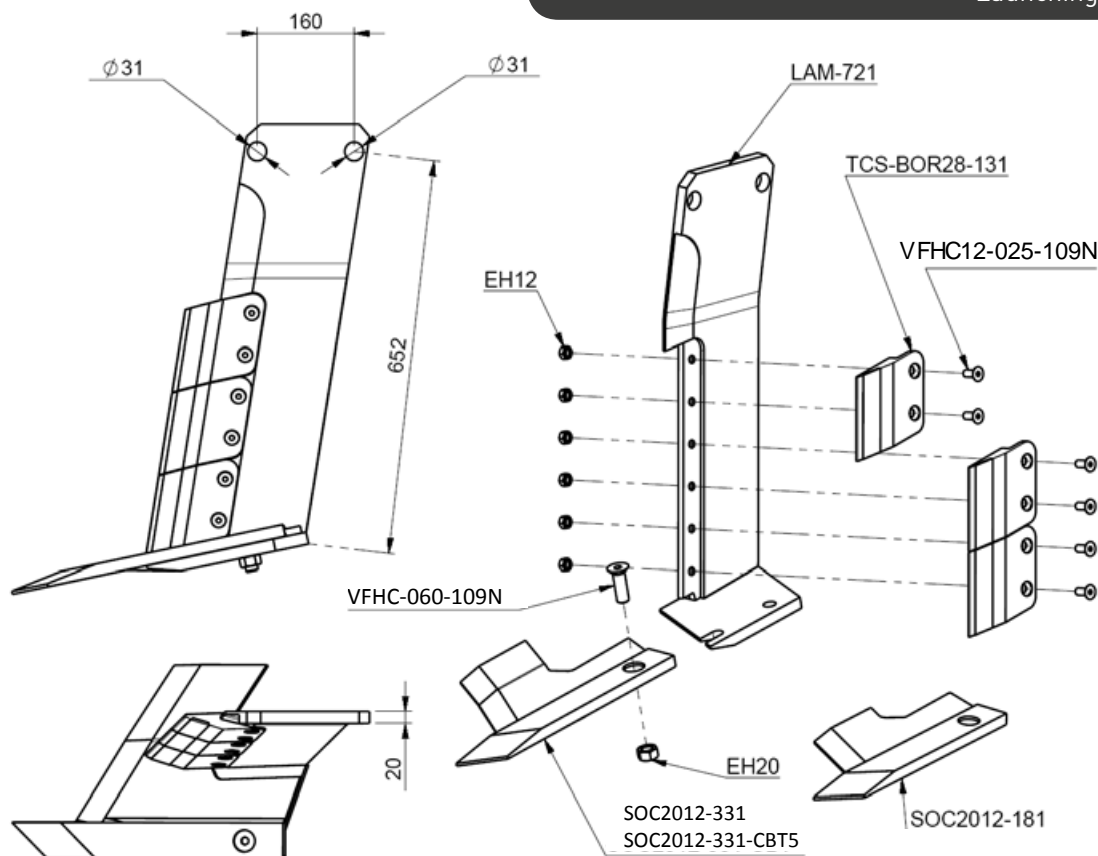
Code	Description	Qty	Weight
AGR20-614	Right hand AGRISEM 20x610 blade kit with standard ploughshare (blade alone + standard ploughshare + leading edge + bolting)	1	29,55 Kg
AGR20-612	Right hand AGRISEM 20x610 blade kit with wing ploughshare (blade alone + winged ploughshare + leading edges + bolting)	1	31,5
AGR20-612-CBT5	Right hand AGRISEM 610 Gauche blade kit CARBOTECH with winged ploughshare (blade alone + winged carbotech ploughshare + leading edges + bolting)	1	31,5
LAM-612	Left hand AGRISEM blade alone 20x610	1	19,7
SOC2012-182	Standard right hand AGRISEM ploughshare	1	6,7
SOC2012-332	Left hand AGRISEM winged ploughshare	1	8,6
SOC2012-332-CBT+	Left hand AGRISEM ploughshare with CARBOTECH wing	1	9,8
36-04-405	Fixing bolt for ploughshare (VFHC20-060-109N + EH20)	1	0,23
36-04-406	Fixing bolt for leading edge (VFHC12-030-109 + EH12)	4	0,05
TCS-BOR28-132	Right hand leading edge 28x130	2	2,4
	<b>Bolt security and attachment bolt for blade</b> (see specific pages)		

## Compatible parts

Type of part	Code	Description
Blade supports	36-03-330/340	Blade support kit 24 x 160 Left/Right (under frame 160mm)
	SL-160-001/002	Blade support kit 24 x 160 large Left/Right (under frame 160mm)
	SL-160-031/032	Blade support kit 24 x 160 with short drift Left/Right
	28-03-330/340	Blade support kit 24 x 200 Left/Right (under frame 200mm)
	SL200-001/002	Blade support kit 24 x 200 drifted long rear Left/Right
	SL200-003/004	Blade support kit 24 x 200 drifter short rear Left/Right
	36-03-350	Blade support kit with point arm for COMBILOW 36 et 36S
	28-03-600	Blade arm CULTILOW 42
	38-03-624	Blade extension COMBILOW 38SR
Equipped machines	COMBILOW	31+ - 32E - 32S - 36E - 36S - 35D - 38SR (equipped with AGR610 blades)
	CULTILOW	24 - 25 - 27 - 42 - 51 - 51+ - 51P - 51R - 53 - 53+ (equipped with AGR610 blades)

# Left hand Agrisem 20 x 730 blade kit «AGR20-723 / 721 / CBT5»

Launching date: January 1999



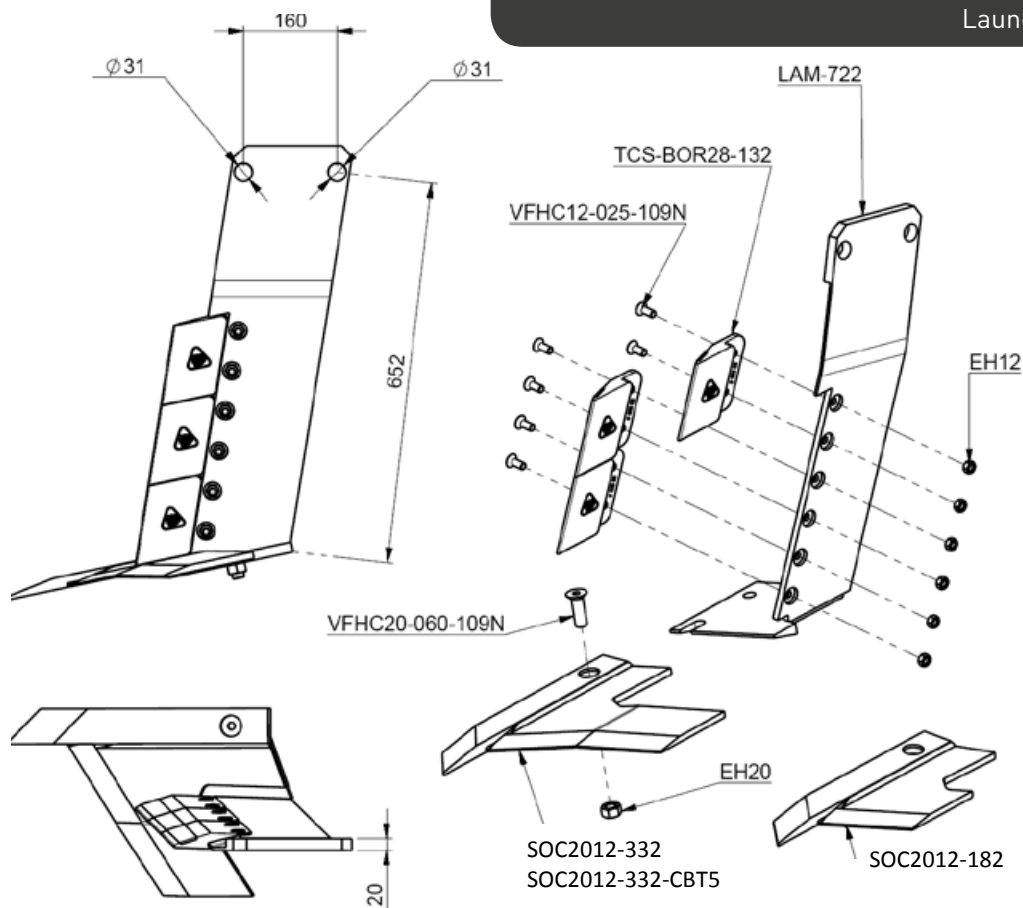
Code	Description	Qty	Weight
AGR20-723	Left hand AGRISEM 20x730 blade kit with standard ploughshare (blade alone + standard ploughshare + leading edges + bolting)	1	34 Kg
AGR20-721	Left hand AGRISEM 20x730 blade kit with standard ploughshare (blade alone + winged ploughshare + leading edges + bolting)	1	37,5
AGR20-721-CBT5	Left hand AGRISEM 20x730 blade kit CARBOTECH with winged ploughshare (blade alone + winged Carbotech ploughshare + leading edges + bolting)	1	38,7
LAM-721	Left hand AGRISEM 20x730 blade alone	1	22,4
SOC2012-181	Left hand AGRISEM standard ploughshare	1	6,7
SOC2012-331	Left hand AGRISEM winged ploughshare	1	8,6
SOC2012-331-CBT5	Left hand AGRISEM winged CARBOTECH ploughshare	1	9,8
36-04-405	Fixing bolt for ploughshare (VFHC20-060-109N + EH20)	1	0,23
TCS-BOR28-131	Left hand 28x130 leading edge	3	2,4
36-04-406	Fixing bolt for leading edge (VFHC12-030-109 + EH12)	4	0,05

## Compatible parts

Type of part	Code	Description
Blade supports	52-03-514	Blade arm (CULTIPLow 52)
	52-03-114	Spring security kit (CULTIPLow 52)
	52-03-003	Extension kit for a greater under frame clearance (+ 130mm)
	60-03-330/340	Blade support kit and bolt security Left/Right (CULTIPLow 60 - 65)
	40-03-301	Left and right blade support arm (COMBIPLow 40 adaptable with 40-03-306)
	41-03-301	Left and right blade support arm (COMBIPLow 41 adaptable with 40-03-306)
	42-03-301	Left and right blade support arm (COMBIPLow 42 adaptable with 40-03-306)
Equipped machines	COMBIPLow	40SB - 41SH - 42SBT- 48SR (equipped with AGR 730 blades)
	CULTIPLow	52 - 52P - 52R - 54 - 54P - 60 - 65 (equipped with AGR 730 blades)

# Right hand Agrisem 20 x 730 blade kit «AGR20-724 / 722 / CBT5»

Launching date: January 1999



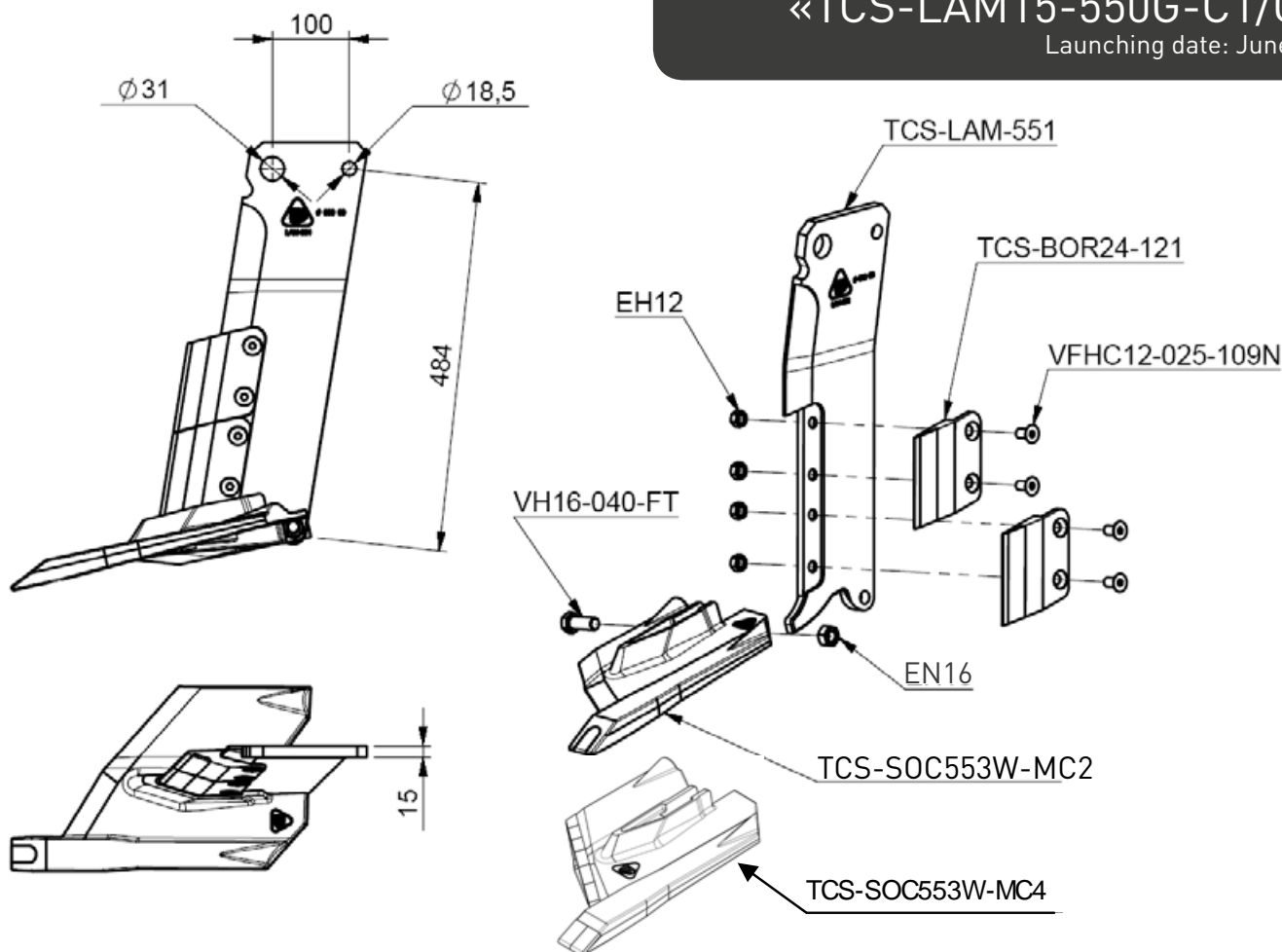
Code	Description	Qty	Weight
AGR20-724	Right hand AGRISEM 20x730 blade kit with standard ploughshare (blade alone + standard ploughshare + leading edges + bolting)	1	34 Kg
AGR20-722	Right hand AGRISEM 20x730 blade kit with winged ploughshare (blade alone + winged ploughshare + leading edges + bolting)	1	37,5
AGR20-722-CBT5	Right hand AGRISEM 20x730 blade kit with winged CARBOTECH ploughshare (blade alone + Carbotech winged ploughshare + leading edges + bolting)	1	38,7
LAM-722	Right hand AGRISEM 20x730 blade alone	1	22,4
SOC2012-182	Right hand AGRISEM standard ploughshare	1	6,7
SOC2012-332	Right hand AGRISEM winged ploughshare	1	8,6
SOC2012-332-CBT5	Right hand AGRISEM winged CARBOTECH ploughshare	1	9,8
36-04-405	Fixing bolt for ploughshare (VFHC20-060-109N + EH20)	1	0,23
TCS-BOR28-132	Right hand 28x130 leading edge	3	2,4
36-04-406	Fixing bolt for leading edge (VFHC12-030-109 + EH12)	4	0,1

## Compatible parts

Type of part	Code	Description
Blade supports	52-03-514	Blade arm (CULTIPLow 52)
	52-03-114	Spring security kit (CULTIPLow 52)
	52-03-003	Extension kit for a greater under frame clearance (+ 130mm)
	60-03-330/340	Blade support kit and bolt security Left/Right (CULTIPLow 60 - 65)
	40-03-301	Left and right blade support arm (COMBIPLow 40 adaptable with 40-03-306)
	41-03-301	Left and right blade support arm (COMBIPLow 41 adaptable with 40-03-306)
	42-03-301	Left and right blade support arm (COMBIPLow 42 adaptable with 40-03-306)
	40-03-306	Ring thickness 40 for blade deport (COMBIPLow 40)
Equipped machines	COMBIPLow	40SB - 41SH - 42SBT - 48SR (equipped with AGR 730 blades)
	CULTIPLow	52 - 52P - 52R - 54 - 54P - 60 - 65 (equipped with AGR 730 blades)

# Left hand TCS 15 x 550 blade kit «TCS-LAM15-550G-C1/C2»

Launching date: June 2008



Code	Description	Qty	Weight
<b>TCS-LAM15-550G-C1</b>	<b>Left hand TCS 15x550 blade kit</b> (blade alone + ploughshare + leading edge + bolting)	<b>1</b>	<b>17 Kg</b>
<b>TCS-LAM15-550G-C2</b>	<b>Left hand TCS 15x550 blade kit</b> (blade alone + ploughshare <b>CARBI-PROTECT</b> + leading edge + bolting)	<b>1</b>	<b>17</b>
TCS-LAM-551	Left hand TCS 15x550 blade	1	7,6
TCS-SOC553W-MC2	Left hand 550 winged ploughshare with carbide faceplate	1	6,5
TCS-SOC553W-MC4	Left hand 550 winged CARBI-PROTECT with carbide tip and wing	1	6,5
BFX-502	Fixing bolt for ploughshare (VH16-040-FT + EN16)	1	0,3
TCS-BOR24-121	Left hand 24x120 leading edge	2	1,2
36-04-408	Fixing bolt for leading edge ( VFHC12-025-109N + EH12)	4	0,05
	<b>Bolt security and attachment bolt for blade</b> (see specific pages)		

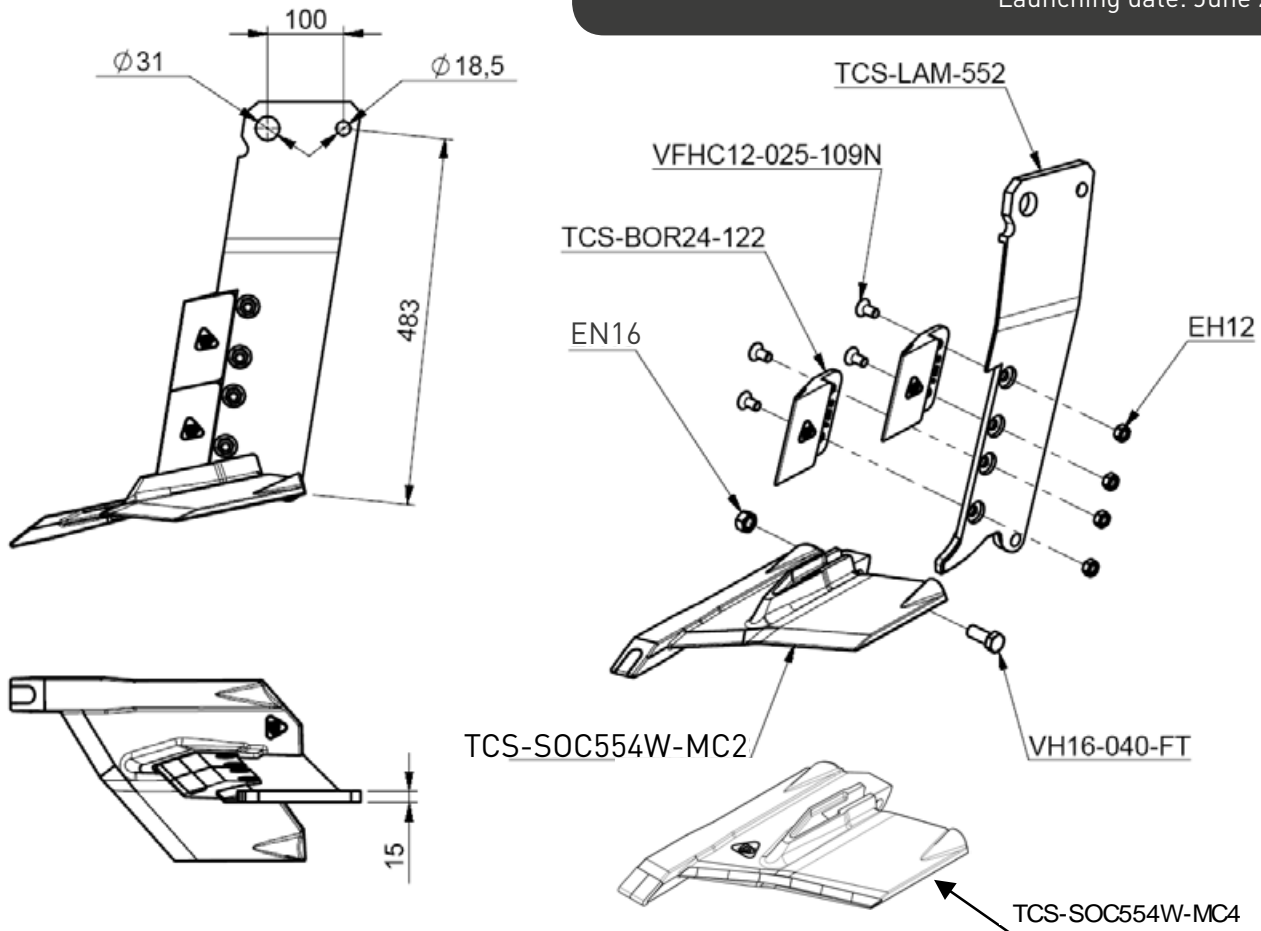
## Copitable parts

Type of part	Code	Description
<b>Blade supports</b>	SL-120-023	Blade support kit 20 x 120 front drift
	SL-120-501	Left hand 20 x 120 blade support kit (fixed under the beam)
	AGM01-03-511	Left hand non-stop spring security kit for AGROMULCH
	AGM01-03-512	Right hand non-stop spring security kit for AGROMULCH
	AGM01-03-513	Left hand non-stop spring security kit for AGROMULCH
	AGM01-03-514	Right hand non-stop spring security kit for AGROMULCH
	AGM02-03-601	Non stop blade arm CULTILOW 28
	MM02-12-601	Blade extension for MAXIMULCH
<b>Equipped machines</b>	AGROMULCH	AGROMULCH (since APRIL 2009) - AGROPLOW 28
	CULTILOW	15 - 28 - SILVER
	ACTIMULCH	
	ECOPLOW SR - CULTILOW 28	



# Right hand TCS 15 x 550 blade kit «TCS-LAM15-550D-C1/C2»

Launching date: June 2008



Code	Description	Qty	Weight
<b>TCS-LAM15-550D-C1</b>	<b>Right hand TCS 15x550 blade kit</b> (blade alone + ploughshare + leading edge + bolting)	<b>1</b>	<b>17 Kg</b>
<b>TCS-LAM15-550D-C2</b>	<b>Right hand TCS 15x550 blade kit</b> (blade alone + ploughshare <b>CARBI-PROTECT</b> + leading edge + bolting)	<b>1</b>	<b>17</b>
TCS-LAM-552	Right hand TCS 15x550 blade	1	7,6
TCS-SOC554W-MC2	Right hand 550 winged ploughshare with carbide faceplate	1	6,5
TCS-SOC553W-MC4	Right hand 550 winged <b>CARBI-PROTECT</b> with carbidetip and wing	1	6,5
BFX-502	Fixing bolt for ploughshare (VH16-040-FT + EN16)	1	0,3
TCS-BOR24-122	Right hand 24x120 leading edge	2	1,2
36-04-408	Fixing bolt for leading edge ( VFHC12-025-109N + EH12)	4	0,05
	<b>Bolt security and attachment bolt for blade</b> (see specific pages)		

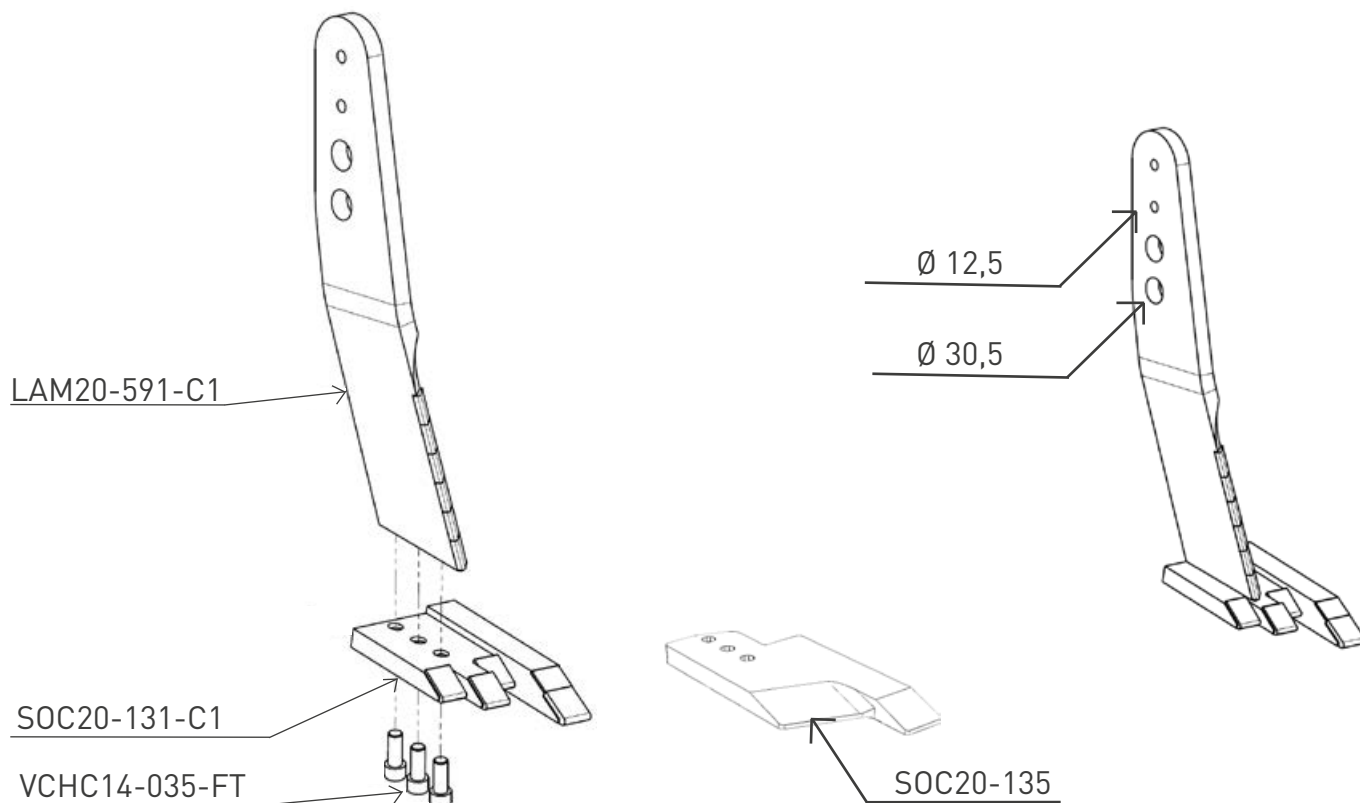
### Copiatible parts

Type of part	Code	Description
<b>Blade supports</b>	SL-120-021/022	Left and right 20 x 120 blade support kit (rear drift)
	SL-120-501	Left 20 x 120 blade support kit (fixed under the beam)
	AGM01-03-511	Non-stop left hand spring security for AGROMULCH
	AGM01-03-512	Non-stop right hand spring security for AGROMULCH
	AGM01-03-513	Non-stop left hand spring security for AGROMULCH
	AGM01-03-514	Non-stop right hand spring security for AGROMULCH
	AGM02-03-601	Non-stop blade arm CULTIPLOW 28
	MM02-12-601	Blade extension for MAXIMULCH
<b>Equipped machines</b>	AGROMULCH	AGROMULCH (since APRIL 2009) - AGROPLOW 28
	CULTIPLOW	15 - 28 - SILVER
	ACTIMULCH	
	ECOPLOW SR - CULTIPLOW 28	

Left hand 20 x 590 blade kit

«LAM20-590G-C1»

Launching date: February 2011



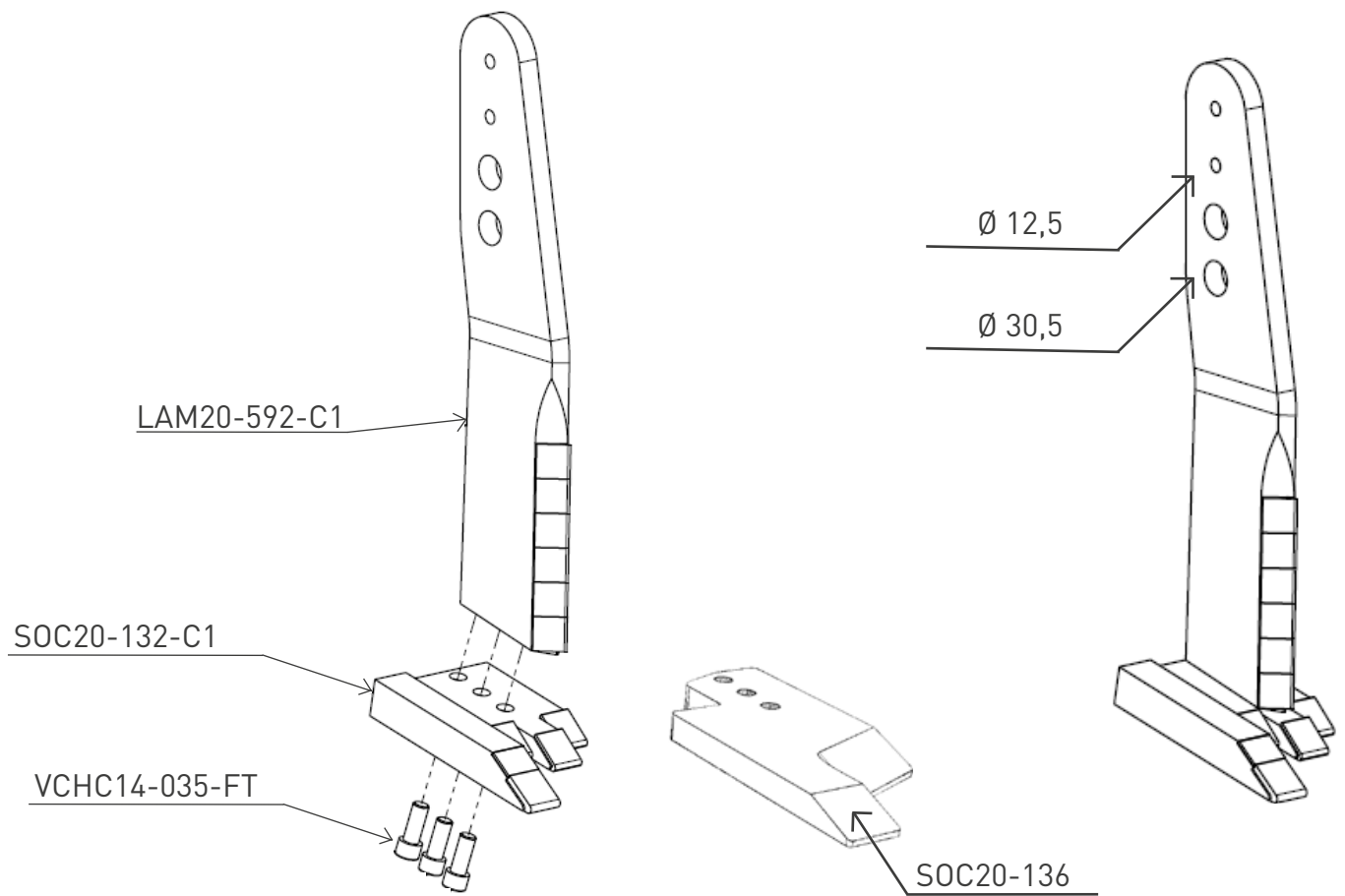
Code	Description	Qté	Poids
<b>LAM20-590G-C1</b>	<b>Left hand 20x590 blade kit with carbide faceplate</b> (blade alone + ploughshare + bolting)	1	<b>12,5 Kg</b>
LAM20-591-C1	Left hand 20x590 blade	1	8,16
SOC20-131-C1	Left hand 130 carbide ploughshare	1	3,96
SOC20-135	Left hand ploughshare without carbide	1	3,86
VCHC14-035-FT	Fixing screw for ploughshare - CHC M14 X 35 screw	3	0,12

Compatible parts

Type of part	Code	Description
Interface	AGM06-03-101	Shorin kit
Shoring	AGM11-03-601	Shorin kit for AGROMULCH (since 2013)

<b>Equipped machines</b>	AGROMULCH CLASSIC - AGROPLOW 18 - AGROMULCH SILVER / AGROMULCH GOLD
--------------------------	---

**Right hand 20 x 590 blade kit**  
**«LAM20-590D-C1»**  
 Launching date: February 2011



Code	Description	Qté	Poids
<b>LAM20-590D-C1</b>	<b>Right hand 20x590 blade kit with carbide faceplate</b> (blade alone + ploughshare + bolting)	1	<b>12,5 Kg</b>
LAM20-592-C1	Right hand 20x590 blade	1	8,16
SOC20-132-C1	Right hand 130 carbide ploughshare	1	3,96
SOC20-136	Right hand ploughshare without carbide	1	3,86
VCHC14-035-FT	Fixing screw for ploughshare - CHC M14 X 35 screw	3	0,12

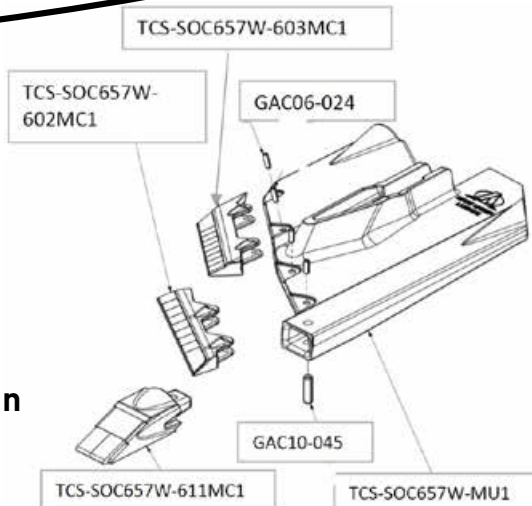
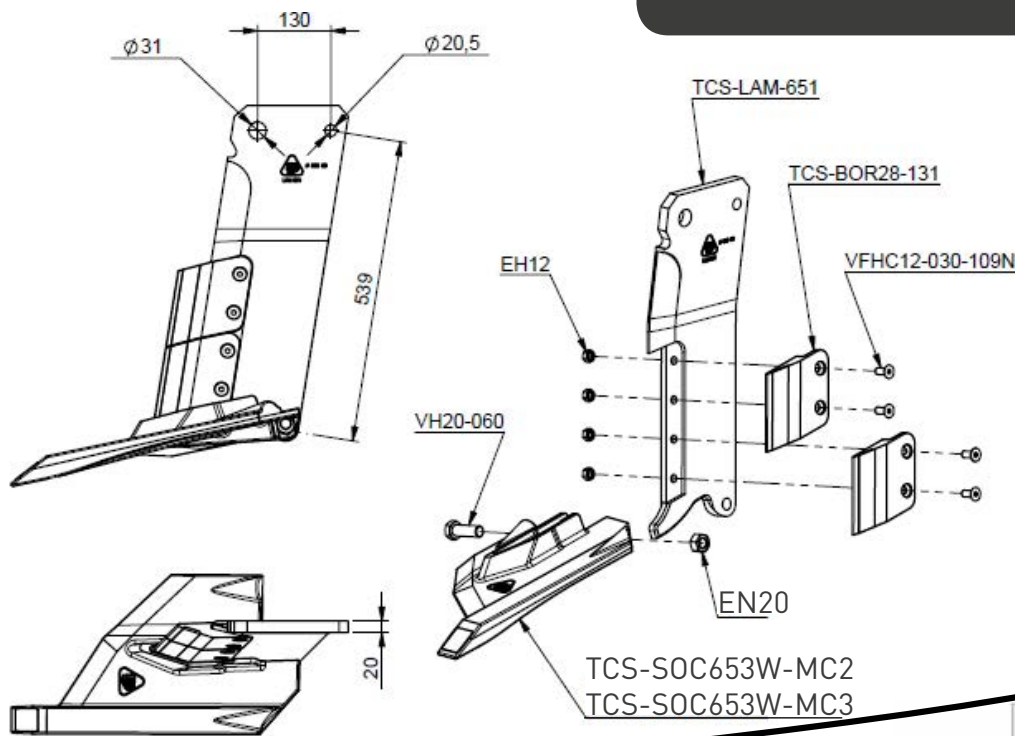
Compatible parts

Type of part	Code	Description
Interface	AGM06-03-101	Shoring kit
Shoring	AGM11-03-601	Shorin kit for AGROMULCH (since 2013)

<b>Equipped machines</b>	AGROMULCH CLASSIC - AGROPLOW 18 - AGROMULCH SILVER - AGROMULCH GOLD
--------------------------	---

# Left hand TCS 20 x 650 blade kit «TCS-LAM20-650G-C1/C2/C4»

Launching date: May 2007



**PLOUGHSHARE KIT EASY-CARBI 650  
LEFT "TCS-SOC657W-001"**

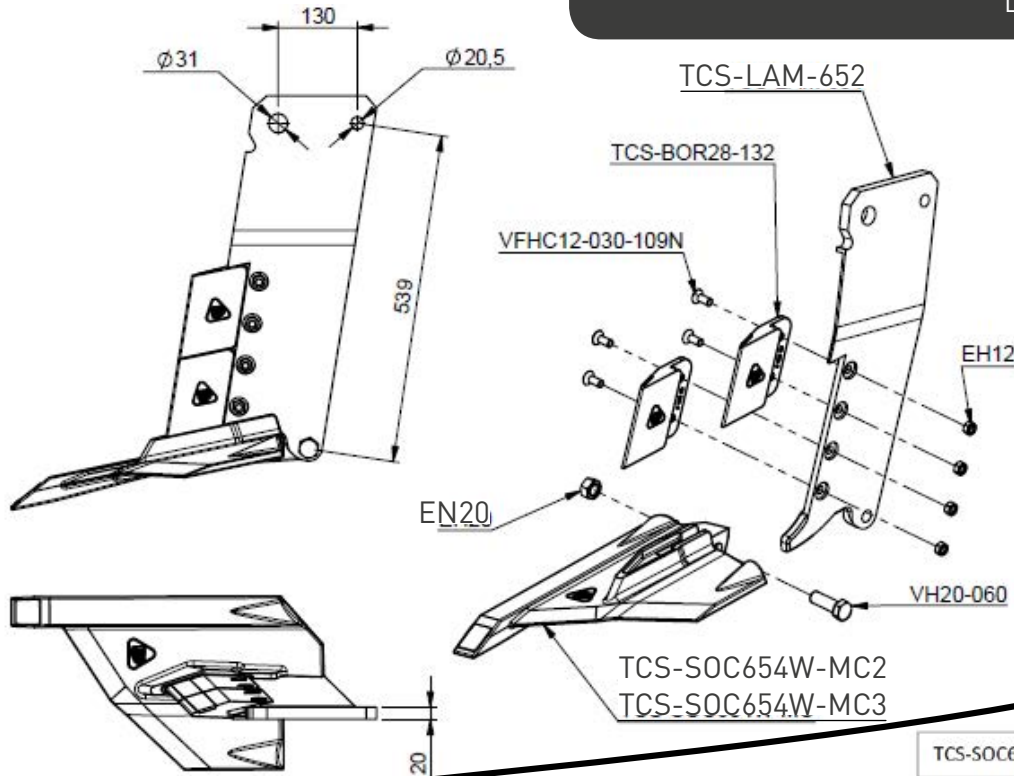
**With EASY-CARBI ploughshare, from the second rising, changing only the wear parts. With wear parts removable in carbide (Details page 24)**

Code	Description	Qty	Weight
TCS-LAM20-650G-C2	Left hand TCS 20x650 blade kit (blade alone + ploughshare + leading edge + bolting)	1	33,8 Kg
TCS-LAM20-650G-C1	Left hand TCS 20x650 blade kit with ploughshare carbide faceplate (blade alone + ploughshare carbide faceplate only on the tip + leading edge + bolting)	1	36,3
TCS-LAM20-650G-C4	Left hand TCS 20x650 blade kit with ploughshare EASY CARBI (blade alone + ploughshare carbide faceplate on the tip and wing + leading edge + bolting)	1	36,5
TCS-LAM-651	Left hand TCS 20x650 blade	1	15,3
TCS-SOC653W-MC2	Left hand 650 winged ploughshare	1	15
TCS-SOC653W-MC3	Left hand 650 winged ploughshare with carbide faceplate only on the tip	1	16
BFX-501	Fixing bolt for ploughshare ( VH20-060 + EN20)	1	0,3
TCS-BOR28-131	Left hand 28x130 leading edge	2	2,4
36-04-406	Fixing bolt for leading edge (VFHC12-030-109N + EH12)	4	0,05
	<b>Bolt security and attachment bolt for blade</b> (see specific pages)		

Repackageable machines with TCS650 blade	COMBIPLOW	31+ - 32E - 36E - 36S - (equipped with AGR610 or COMBI 600 blades)
	CULTIPLOW	25 - 27 - 42 - 53 - 53+ (equipped with AGR610 or COMBI 600 blades)
<b>Equipped machines</b>	COMBIPLOW	31 - 32+ - 32S - 36+ - 35D - 38SR - 47 - 49 - GOLD - PLATINUM
	CULTIPLOW	24 - 51 - 51+ - 51P - 51R - 67 - GOLD

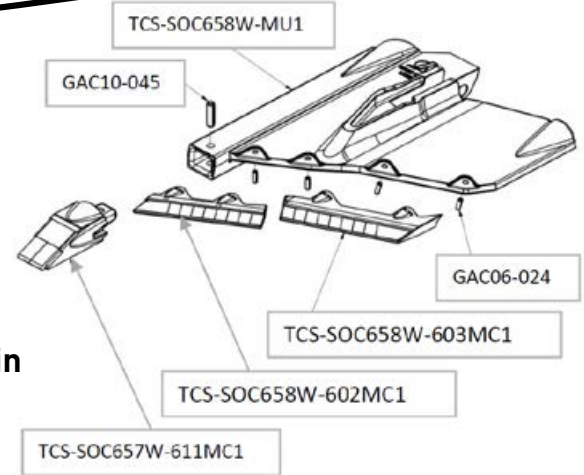
# Right hand TCS 20 x 650 blade kit «TCS-LAM20-650D-C1/C2/C4»

Launching date: May 2007



**PLOUGHSHARE KIT EASY-CARBI 650  
RIGHT "TCS-SOC658W-001"**

**With EASY-CARBI ploughshare, from the second rising, changing only the wear parts. With wear parts removable in carbide (Details page 25)**

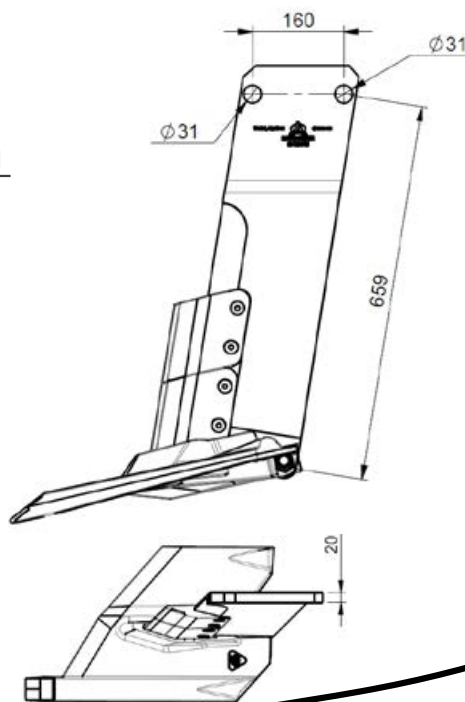
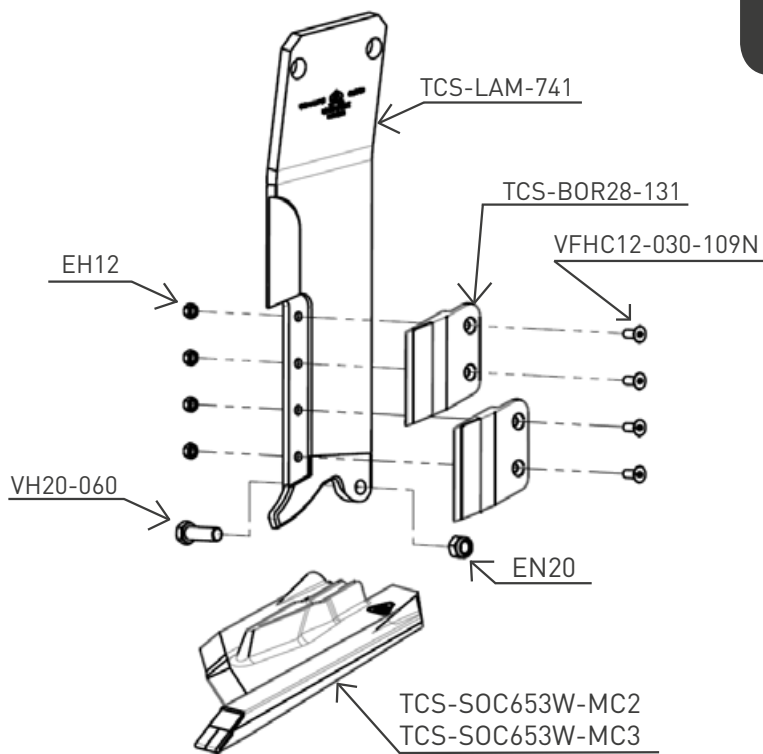


Code	Description	Qty	Weight
TCS-LAM20-650D-C2	Right hand TCS 20x650 blade kit (blade alone + ploughshare + leadin edge + bolting)	1	33,8 Kg
TCS-LAM20-650D-C1	Right hand TCS 20x650 blade kit with ploughshare carbide faceplate (blade alone + ploughshare carbide faceplate only on the tip + leading edge + bolting)	1	36,3
TCS-LAM20-650D-C4	Right hand TCS 20x650 blade kit with ploughshare EASY CARBI (blade alone + ploughshare carbide faceplate on the tip and wing + leading edge + bolting)	1	36,5
TCS-LAM-652	Right hand TCS 20x650 blade	1	15,3
TCS-SOC654W-MC2	Right hand 650 winged ploughshare	1	15
TCS-SOC654W-MC3	Right hand 650 winged ploughshare with carbide faceplate only on the tip	1	16
BFX-501	Fixing bolt for ploughshare [ VH20-060 + EN20]	1	0,3
TCS-BOR28-132	Left hand 28x130 leading edge	2	2,4
36-04-406	Fixing bolt for leading edge (VFHC12-030-109N + EH12)	4	0,05
	<b>Bolt security and attachment bolt for blade</b> (see specific pages)		

Repackageable machines with TCS650 blade	COMBI PLOW	31+ - 32E - 36E - 36S - (equipped with AGR610 or COMBI 600 blades)
	CULTI PLOW	25 - 27 - 42 - 53 - 53+ (equipped with AGR610 or COMBI 600 blades)
Equipped machines	COMBI PLOW	31 - 32+ - 32S - 36+ - 35D - 38SR - 47 - 49 - GOLD - PLATINUM
	CULTI PLOW	24 - 51 - 51+ - 51P - 51R - 67 - GOLD

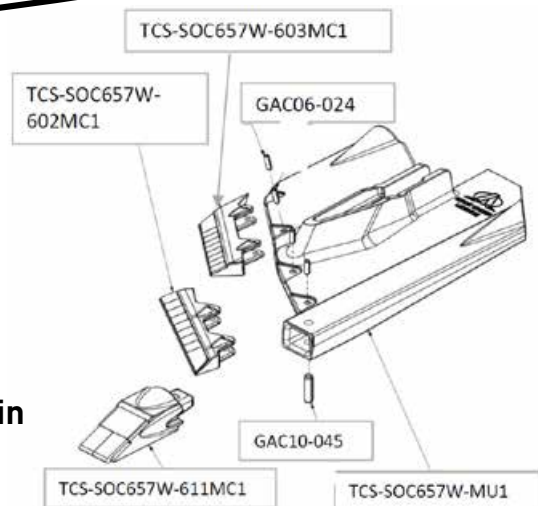


**Left hand TCS 20 x 740 blade kit**  
 «TCS-LAM20-740G-C1/C2/C4»  
 Launching date: May 2013



**PLOUGHSHARE KIT EASY-CARBI 650 LEFT "TCS-SOC657W-001"**

**With EASY-CARBI ploughshare, from the second rising, changing only the wear parts. With wear parts removable in carbide (Details page 24)**

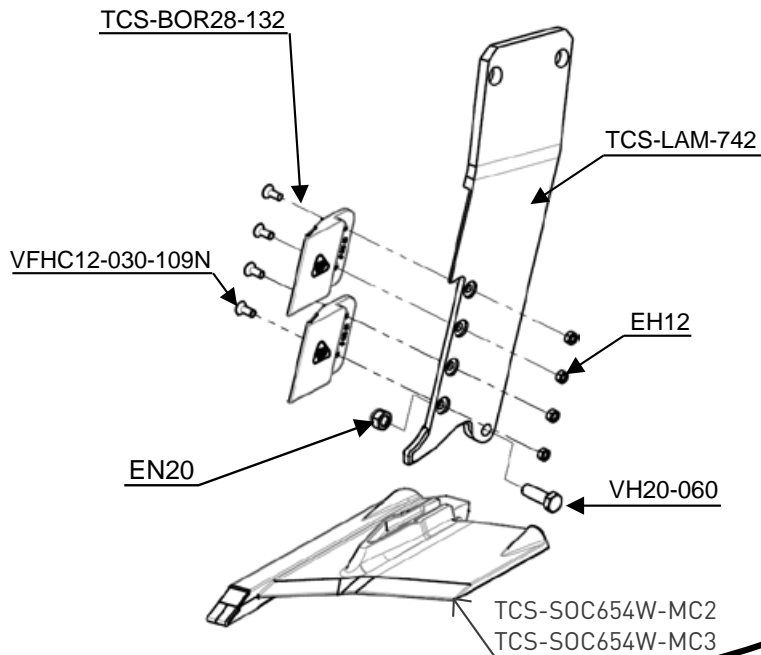
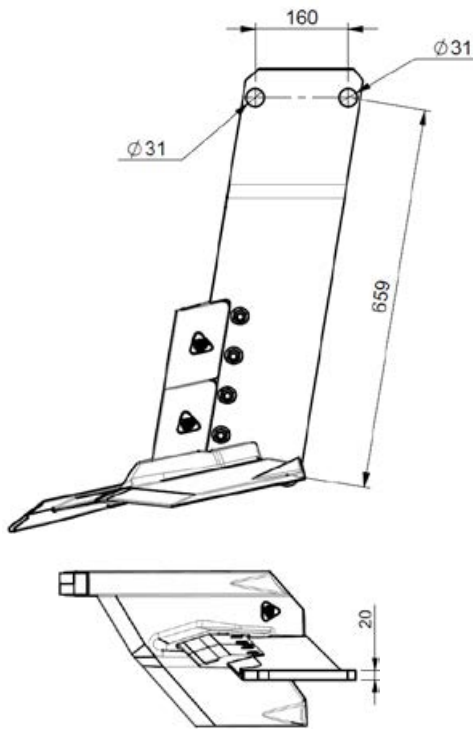


Code	Description	Qty	Weight
TCS-LAM20-740G-C2	Left hand TCS 20x740 blade kit (blade alone + ploughshare + leading edge + bolting)	1	39,1 Kg
TCS-LAM20-740G-C1	Left hand TCS 20x740 blade kit with ploughshare carbide faceplate (blade alone + ploughshare carbide faceplate only on the tip + leadin edge + bolting)	1	40,23
TCS-LAM20-740G-C4	Left hand TCS 20x740 blade kit with ploughshare EASY CARBI (blade alone + ploughshare carbide faceplate on the tip and wing + leading edge + bolting)	1	40,5
TCS-LAM-741	Left hand TCS 20x740 blade	1	19,22
TCS-SOC653W-MC2	Left hand 650 winged ploughshare	1	15
TCS-SOC653W-MC3	Left hand 650 winged ploughshare with carbide faceplate only on the tip	1	16
BFX-501	Fixing bolt for ploughshare (VH20-060 + EN20)	1	0,3
TCS-BOR28-131	Left hand 28x130 leading edge	2	2,4
36-04-406	Fixing bolt for leading edge (VFCH12-030-109N + EH12)	4	0,05
	<b>Bolt security and attachment bolt for blade (see specific pages)</b>		

<b>Equipped machines</b>	CULTIPLOW	GOLD in spring security
--------------------------	-----------	-------------------------

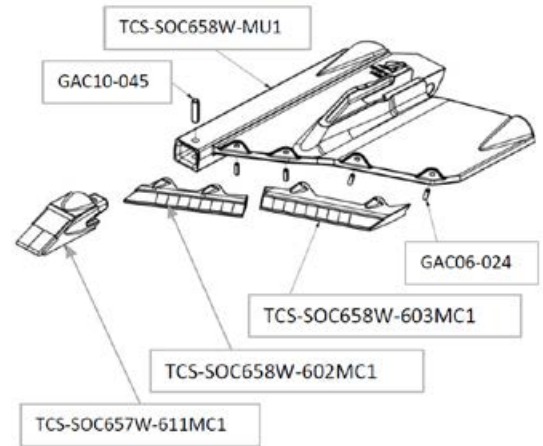


**Right hand TCS 20 x 740 blade kit**  
 «TCS-LAM20-740D-C1/C2/C4»  
 Launching date: May 2013



**PLOUGHSHARE KIT EASY-CARBI 650**  
 RIGHT "TCS-SOC658W-001"

**With EASY-CARBI ploughshare, from the second rising, changing only the wear parts. With wear parts removable in carbide (Details page 25)**

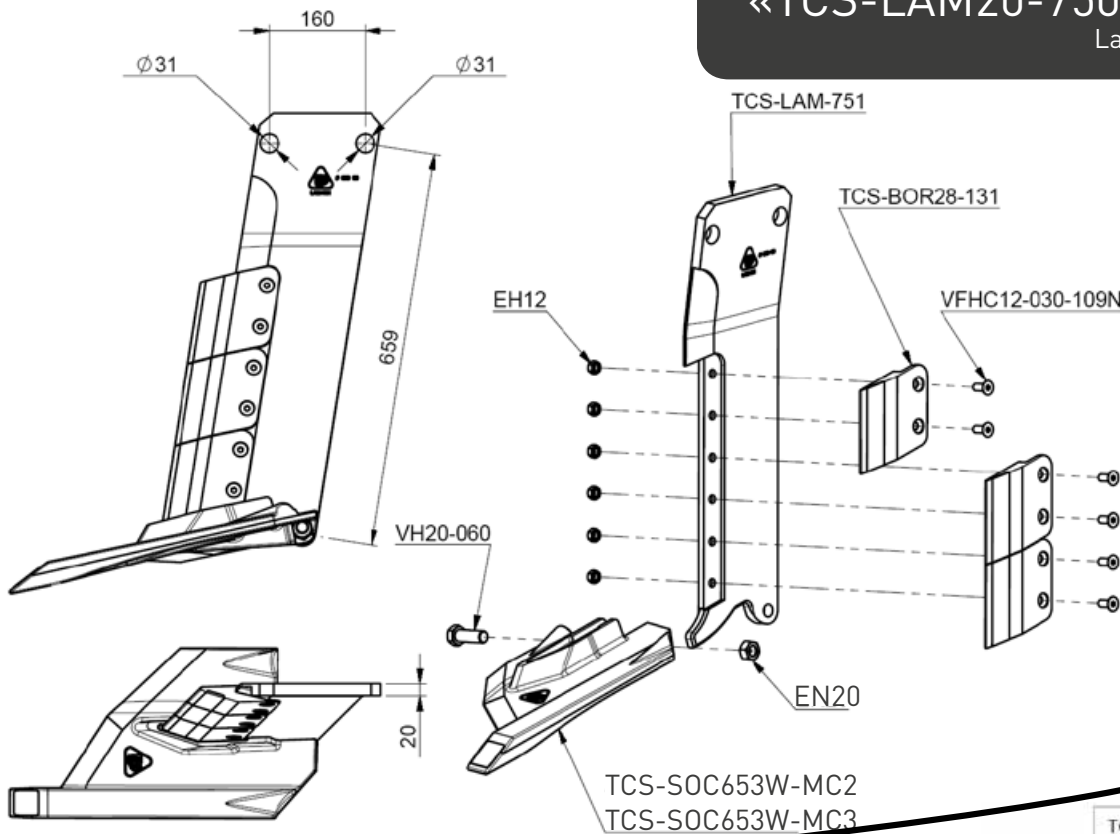


Code	Description	Qty	Weight
TCS-LAM20-740D-C2	Right hand TCS 20x740 blade kit (blade alone + ploughshare + leading edge + bolting)	1	39,1
TCS-LAM20-740D-C1	Right hand TCS 20x740 blade kit with ploughshare carbide faceplate (blade alone + ploughshare carbide faceplate only on the tip + leadin edge + bolting)	1	40,23
TCS-LAM20-740D-C4	Right hand TCS 20x740 blade kit with ploughshare EASY CARBI (blade alone + ploughshare carbide faceplate on the tip and wing + leading edge + bolting)	1	40,5
TCS-LAM-742	Right hand TCS 20x740 blade	1	19,22
TCS-SOC654W-MC2	Right hand 650 winged ploughshare	1	15
TCS-SOC654W-MC3	Right hand 650 winged ploughshare with carbide faceplate only on the tip	1	16
BFX-501	Fixing bolt for ploughshare (VH20-060 + EN20)	1	0,3
TCS-BOR28-132	Right hand 28x130 leading edge	2	2,4
36-04-406	Fixing bolt for leading edge (VFHC12-030-109N + EH12)	4	0,05
	<b>Bolt security and attachment bolt for blade (see specific pages)</b>		

<b>Equipped machines</b>	CULTIPLOW	GOLD in spring security
--------------------------	-----------	-------------------------

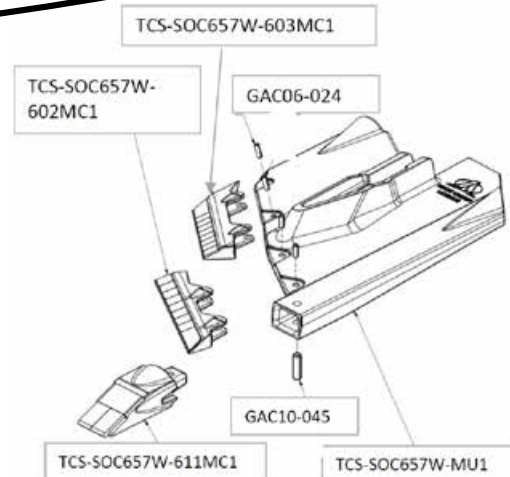
# Left hand TCS 20 x 750 blade kit «TCS-LAM20-750G-C1/C2/C4»

Launching date: May 2007



**PLOUGHSHARE KIT EASY-CARBI 650  
LEFT "TCS-SOC657W-001"**

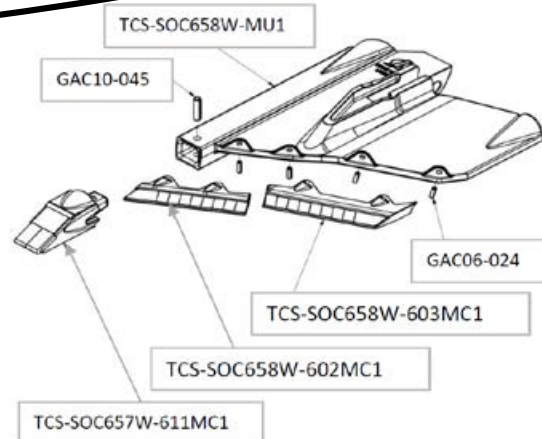
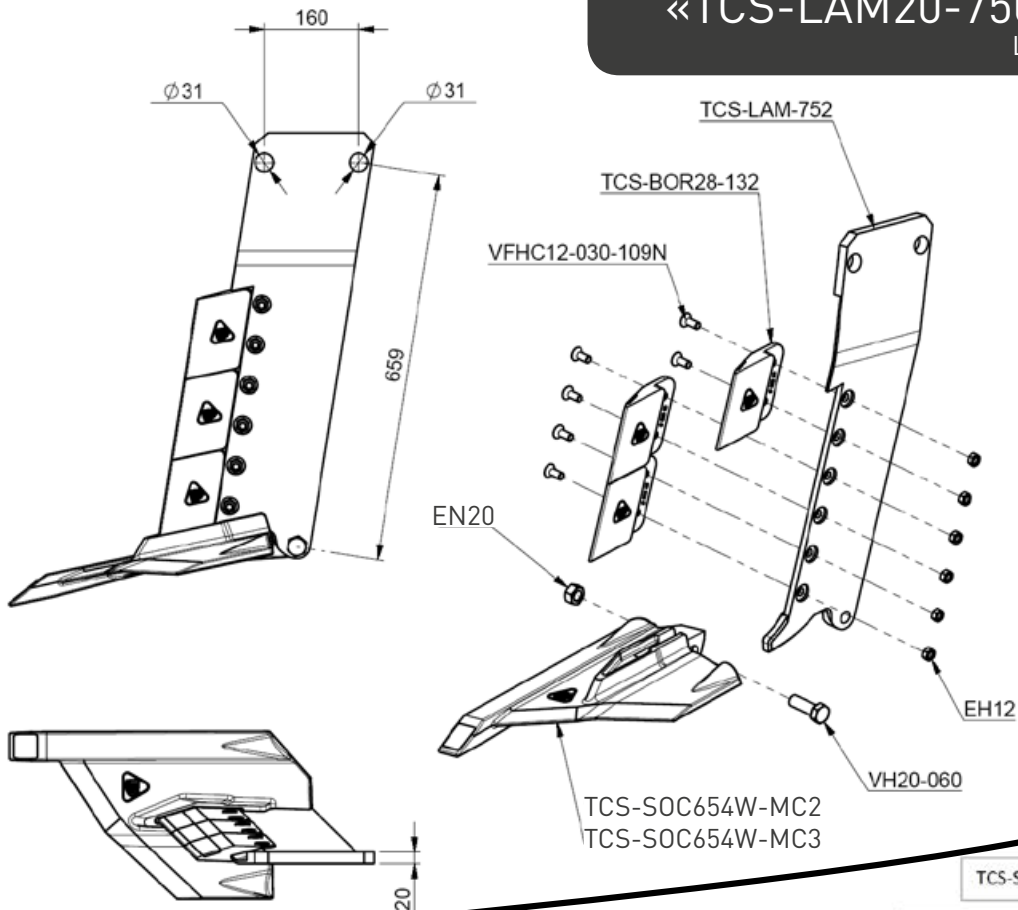
**With EASY-CARBI ploughshare, from the second rising, changing only the wear parts. With wear parts removable in carbide (Details page 24)**



Code	Description	Qty	Weight
TCS-LAM20-750G-C2	Left hand TCS 20x750 blade kit (blade alone + ploughshare + leading edge + bolting)	1	40 Kg
TCS-LAM20-750G-C1	Left hand TCS 20x750 blade kit with carbide faceplate ploughshare (blade alone + carbide faceplate ploughshare only on the tip + leading edge + bolting)	1	41,6
TCS-LAM20-750G-C4	Left hand TCS 20x750 blade kit with ploughshare EASY CARBI (blade alone + ploughshare carbide faceplate on the tip and wing + leading edge + bolting)	1	42
TCS-LAM-751	Left hand TCS 20x750 blade	1	22,3
TCS-SOC653W-MC2	Left hand 650 winged ploughshare	1	15
TCS-SOC653W-MC3	Left hand 650 winged ploughshare with carbide ploughshare only on the tip	1	16
BFX-501	Fixing bolt for ploughshare (VH20-060 + EN20)	1	0,3
TCS-BOR28-131	Left hand 28x130 leading edge	3	2,4
36-04-406	Fixing bolt for leading edge (VFHC12-030-109N + EH12)	6	0,05

Repackaeable machines	COMBIPLOW	40SB - 41SH - 42SBT (equipped with AGR730 or COMBI 720 blades)
	CULTIPLOW	52 - 52P - 52R - 54 - 54P - 60 - 65 (equipped with AGR730 or COMBI 720 blades)
Equipped machines	COMBIPLOW	48 (2007)
	CULTIPLOW	52 - 52P - 52R (2007) - 68 - PLATINUM

**Right hand TCS 20 x 750 blade kit**  
**«TCS-LAM20-750D-C1/C2/C4»**  
 Launching date: May 2007



**PLOUGHSHARE KIT EASY-CARBI 650**  
**RIGHT "TCS-SOC658W-001"**



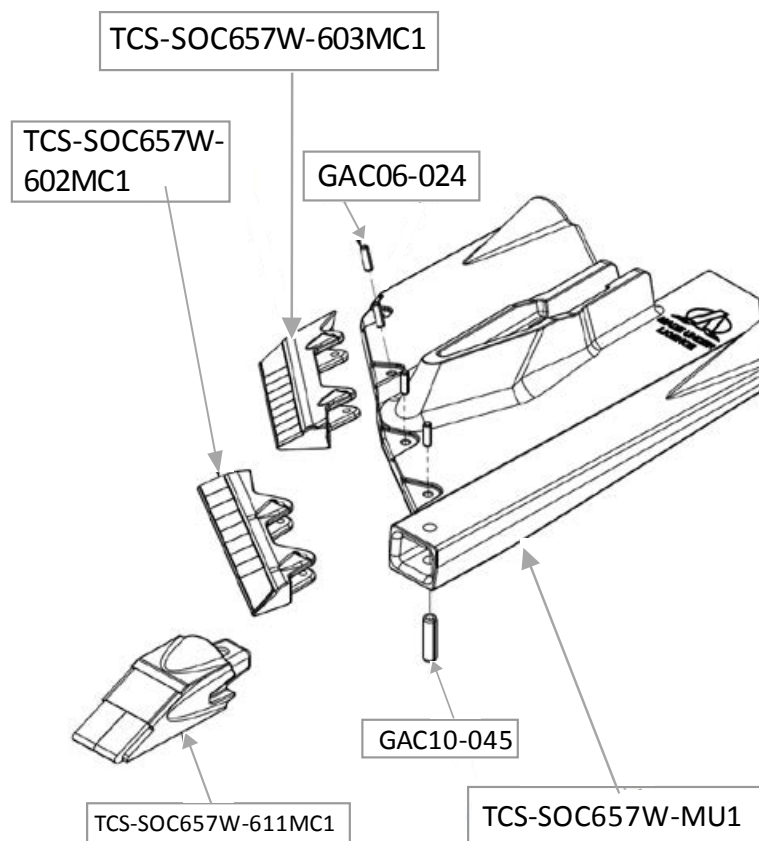
**With EASY-CARBI ploughshare, from the second rising, changing only the wear parts. With wear parts removable in carbide (Details page 25)**

Code	Description	Qty	Weight
TCS-LAM20-750D-C2	Right hand TCS 20x750 blade kit (blade alone + ploughshare + leading edge + bolting)	1	40 Kg
TCS-LAM20-750D-C1	Right hand TCS 20x750 blade kit with carbide faceplate ploughshare (blade alone + carbide faceplate ploughshare only on the tip + leading edge + bolting)	1	41,6
TCS-LAM20-750D-C4	Right hand TCS 20x750 blade kit with ploughshare EASY CARBI (blade alone + ploughshare carbide faceplate on the tip and wing + leading edge + bolting)	1	42
TCS-LAM-752	Right hand TCS 20x750 blade	1	22,3
TCS-SOC654W-MC2	Right hand 650 winged ploughshare	1	15
TCS-SOC654W-MC3	Left hand 650 winged ploughshare with carbide ploughshare only on the tip	1	16
BFX-501	Fixing bolt for ploughshare (VH20-060 + EN20)	1	0,3
TCS-BOR28-132	Right hand 28x130 leading edge	3	2,4
36-04-406	Fixing bolt for leading edge (VFHC12-030-109N + EH12)	6	0,05

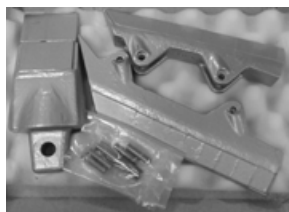
Repackaeable machines	COMBIPLOW	40SB - 41SH - 42SBT (equipped with AGR730 or COMBI 720 blades)
	CULTIPLOW	52 - 52P - 52R - 54 - 54P - 60 - 65 (equipped with AGR730 or COMBI 720 blades)
Equipped machines	COMBIPLOW	48 (2007)
	CULTIPLOW	52 - 52P - 52R - 68 (2007) - PLATINUM

**EASY-CARBI Ploughshare**  
 Launching date: september 2015

**Ploughshare kit EASY-CARBI 650 Left**  
**" TCS-SOC657W-001"**



**SPECIAL BOX**



TCS-SOC657W-011 Left hand wear parts kit (2 shims + 1 tip + 5 pins) 3,8 kg



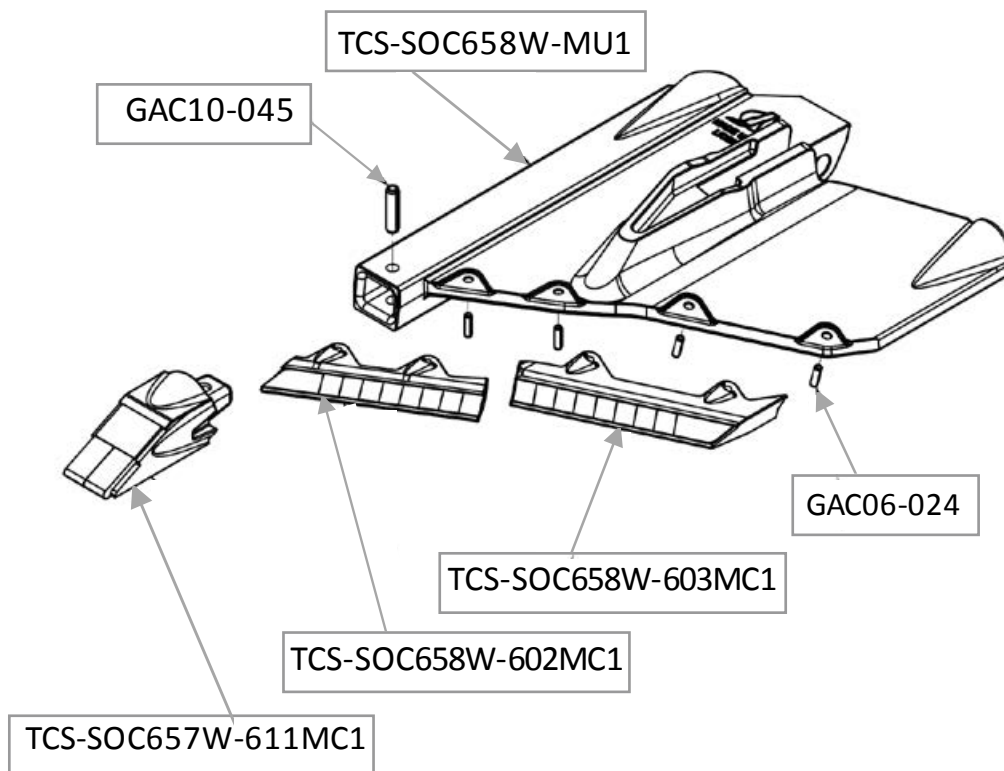
CCG 001 Set of 2 pin punches case ( Ø 6 and 10 mm) 0,4 kg

Code	Description	Qty	Weight
TCS-SOC657W-001	Left hand ploughshare kit EASY-CARBI 650 with carbide removable parts	1	16,4 Kg
TCS-SOC657W-MU1	Left hand 650 winged ploughshare machined for removable wear parts	1	12,5
TCS-SOC657W-611MC1	Carbide tip removable	1	2
TCS-SOC657W-602MC1	Left hand inside carbide removable shim	1	0,8
TCS-SOC657W-603MC1	Left hand outside carbide removable shim	1	1
GAC06-024	Splined pin Ø6 x 24mm	4	0,02
GAC10-045	Splined pin Ø10 x 45mm	1	0,05

# EASY-CARBI Ploughshare

Launching date : september 2015

## Ploughshare kit EASY-CARBI 650 Right " TCS-SOC658W-001"



### SPECIAL BOX



TCS-SOC658W-011

Right hand wear parts kit  
(2 shims + 1 tip + 5 pins)

3,8 kg



CCG 001

Set of 2 pin punches case ( Ø 6 and 10 mm)

0,4 kg

Code	Description	Qty	Weight
TCS-SOC658W-001	Right hand ploughshare kit EASY-CARBI 650 with carbide removable parts	1	16,4 Kg
TCS-SOC658W-MU1	Right hand 650 winged ploughshare machined for removable wear parts	1	12,5
TCS-SOC657W-611MC1	Carbide tip removable	1	2
TCS-SOC658W-602MC1	Right hand inside carbide removable shim	1	0,8
TCS-SOC658W-603MC1	Right hand outside carbide removable shim	1	1
GAC06-024	Splined pin Ø6 x 24mm	4	0,02
GAC10-045	Splined pin Ø10 x 45mm	1	0,05

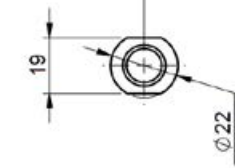


# SECURITY BOLTS

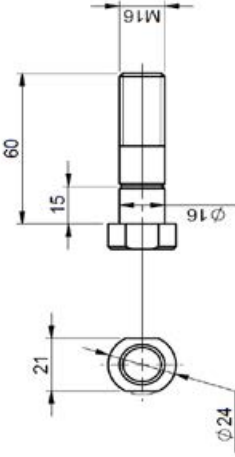


Name of the machine	Mounted blades		Bolt security (unit)			Bolt security (box of 50)				
	Ø drilling of the support blade for bolt security (mm)	Code	Description	Thickness of the blade	Ø drilling of the support blade for bolt security (mm)	Code	Description	Weight	Code	Weight
CULTIPLow 12 bolt security	Ø14,5	AGR12-431/432	AGRISEM 430 blade kit thickness 12mm L/R	12	Ø14,5	12-03-105	Ø14 shoulder bolt security for 12mm blade thickness	0,11	12-03-155	5,5
		TCS-LAM15-550G/D	TCS550 blade kit thickness 15mm L/R			BSC-517	Ø16/18 shoulder bolt security for 15mm blade thickness	0,18	BSC-567	9
COMBIPLow 16 COMBIPLow 20S CULTIPLow 15 AGROMULCH bolt security and Non-stop with double 3D Security	Ø16,5	AGR15-501/502	AGRISEM 500 blade kit thickness 15mm L/R	15	Ø16,5	15-03-205	Ø16 shoulder bolt security for 15mm blade thickness	0,17	15-03-255	8,5
		TCS-LAM15-700G/D	TCS700 blade kit thickness 15mm L/R			BSC-521	Ø24 shoulder bolt security 15mm blade thickness	0,52	BSC-571	26
MAXIMULCH bolt security	Ø25 without blade extension	TCS-LAM15-550G/D	TCS550 blade kit thickness 15mm L/R	Ø18,5	Ø18,5	VSC-620 + EN18	Ø24/20 shoulder bolt security for 15mm blade thickness	0,31	[50 pieces] VSC-620 + EN18	15,5
	Ø19 with blade extension					BSC-507	Ø24 shoulder bolt security for 15mm blade thickness	0,52	[50 pieces] BSC-507 + EN18	26
CULTIPLow 28 ECOPLOW SR	Ø25 without blade extension Ø19 with blade extension	TCS-LAM15-550G/D	TCS550 blade kit thickness 15mm L/R	Ø18,5	Ø18,5	VSC-620 + EN18	Ø24/20 shoulder bolt security for 15mm blade thickness	0,31	[50 pieces] VSC-620 + EN18	15,5
						BSC-507	Ø24 shoulder bolt security for 15mm blade thickness	0,52	[50 pieces] BSC-507 + EN18	26

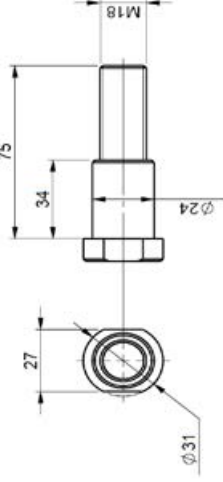
12-03-105



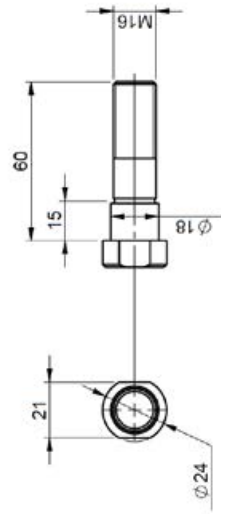
15-03-205



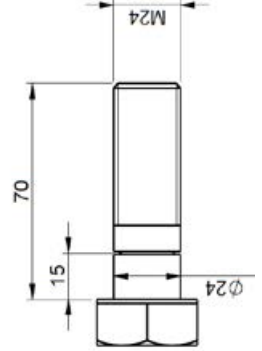
VSC-620



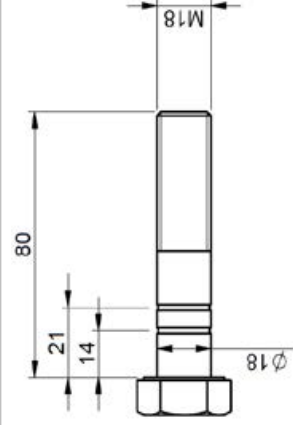
BSC-517 = (VSC-617 + EN16)



BSC-521 = (VSC-621 + EN24)



BSC-507 = (VSC-614 + EN18)

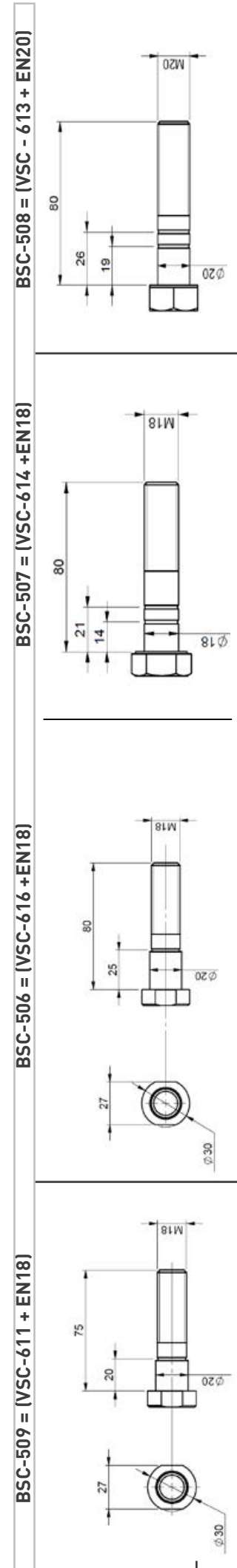




# SECURITY BOLTS



Name of the machine	Ø drilling of the support blade for bolt security (mm)	Mounted blades				Pre-notched bolt security			Bolt security (box of 50)	
		Code	Description	Blade thickness (mm)	Ø drilling of the support blade for bolt security (mm)	Code	Description	Weight	Code	Weight
COMBIPILOW 31 COMBIPILOW 32S	Ø18,5 mm	TCS-LAM20-4500/D	TCS-650 blade kit - thickness 20mm L/R	20	Ø20,5	BSC-509	Ø18/20 shoulder bolt security for 20mm blade thickness	0,27	BSC-559	13,5
		TCS-LAM25-4500/D	TCS-650 blade kit - thickness 25mm L/R	25		BSC-506	Ø18/20 shoulder bolt security for 25mm blade thickness	0,28	BSC-556	14
		AGR20-611/612	AGRISEM 610 blade kit - thickness 20mm L/R	20		BSC-507	Ø18 shoulder bolt security for 15 and 20mm blade thickness	0,27	BSC-557	13,5
		32-04-411/412	COMBIPILOW 600 blade kit - thickness 20mm L/R			BSC-508	Ø20 shoulder bolt security for 20 and 25mm blade thickness	0,26	BSC-558	13
COMBIPILOW 32E COMBIPILOW 31+ COMBIPILOW 35D COMBIPILOW 36E COMBIPILOW 36S CULTIPILOW 24 ECOPLOW U CULTIPILOW 25 CULTIPILOW 27	Ø20,5 mm since January 2010	TCS-LAM20-4500/D	TCS-650 blade kit - thickness 20mm L/R	20	Ø20,5	BSC-509	Ø18/20 shoulder bolt security for 20mm blade thickness	0,27	BSC-559	13,5
		TCS-LAM25-4500/D	TCS-650 blade kit - thickness 25mm L/R	25		BSC-506	Ø18/20 shoulder bolt security for 25mm blade thickness	0,28	BSC-556	14
		AGR20-611/612	AGRISEM 610 blade kit - thickness 20mm L/R	20		BSC-507	Ø18 shoulder bolt security for 15 and 20mm blade thickness	0,27	BSC-557	13,5
		32-04-411/412	COMBIPILOW 600 blade kit - thickness 20mm L/R			BSC-508	Ø20 shoulder bolt security for 20 and 25mm blade thickness	0,26	BSC-558	13
ECOPLOW T CULTIPILOW 07	Ø20,5mm	TCS-LAM25-4500/D	TCS-650 blade kit - thickness 25mm L/R (middle blade)	25	Ø20,5	BSC-508	Ø20 shoulder bolt security for 20 and 25mm blade thickness	0,27	BSC-559	13,5
		TCS-LAM25-7500/D	TCS-750 blade kit - thickness 25mm L/R + ring ACC-607 (outside blades)	25		BSC-506	Ø18/20 shoulder bolt security for 25mm blade thickness	0,28	BSC-556	14
ECOPLOW C COMBIPILOW 32+ COMBIPILOW 36+	Ø20,5mm	TCS-LAM20-4500/D	TCS-650 blade kit - thickness 20mm L/R	20	Ø18,5	BSC-507	Ø18 blade security for 15 and 20mm blade thickness	0,27	BSC-557	13,5
		TCS-LAM25-4500/D	TCS-650 blade kit - thickness 25mm L/R	25		BSC-508	Ø20 shoulder bolt security for 20 and 25mm blade thickness	0,26	BSC-558	13
		AGR20-611/612	AGRISEM 610 blade kit - thickness 20mm L/R	20		BSC-507	Ø18 blade security for 15 and 20mm blade thickness	0,27	BSC-557	13,5
		32-04-411/412	COMBIPILOW 600 blade kit - thickness 20mm L/R			BSC-508	Ø20 shoulder bolt security for 20 and 25mm blade thickness	0,26	BSC-558	13
COMBIPILOW 38SR CULTIPILOW 51/51P/51+ CULTIPILOW 53/53+ CULTIPILOW 67+ CULTIPILOW 67	Ø18,5	TCS-LAM20-4500/D	TCS-650 blade kit - thickness 20mm L/R	20	Ø20,5	BSC-507	Ø18 blade security for 15 and 20mm blade thickness	0,27	BSC-557	13,5
		TCS-LAM25-4500/D	TCS-650 blade kit - thickness 25mm L/R	25		BSC-508	Ø20 shoulder bolt security for 20 and 25mm blade thickness	0,26	BSC-558	13
		AGR20-611/612	AGRISEM 610 blade kit - thickness 20mm L/R	20		BSC-507	Ø18 blade security for 15 and 20mm blade thickness	0,27	BSC-557	13,5
		32-04-411/412	COMBIPILOW 600 blade kit - thickness 20mm L/R			BSC-508	Ø20 shoulder bolt security for 20 and 25mm blade thickness	0,26	BSC-558	13
CULTIPILOW 42	Ø18,5	TCS-LAM20-4500/D	TCS-650 blade kit - thickness 20mm L/R	20	Ø20,5	BSC-507	Ø18 blade security for 15 and 20mm blade thickness	0,27	BSC-557	13,5
		TCS-LAM25-4500/D	TCS-650 blade kit - thickness 25mm L/R	25		BSC-508	Ø20 shoulder bolt security for 20 and 25mm blade thickness	0,26	BSC-558	13
		AGR20-611/612	AGRISEM 610 blade kit - thickness 20mm L/R	20		BSC-507	Ø18 blade security for 15 and 20mm blade thickness	0,27	BSC-557	13,5
		32-04-411/412	COMBIPILOW 600 blade kit - thickness 20mm L/R			BSC-508	Ø20 shoulder bolt security for 20 and 25mm blade thickness	0,26	BSC-558	13
AGROPLOW 18 AGROMULCH SILVER AGROMULCH GOLD	12,5	LAM20-590	20 X 590 blade kit - thickness 20mm L/R	20	Ø12,5	VSC-622 + ENT2	Ø 12 pre-notched bolt security (65 X M12 length)	0,12	(50) VSC-622 + ENT2	6
		AG M06-13-621	Interface stubble-breaking ploughshare - thickness 25mm	25						



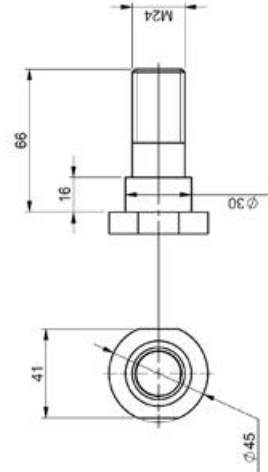
# SWIVEL BOLTS



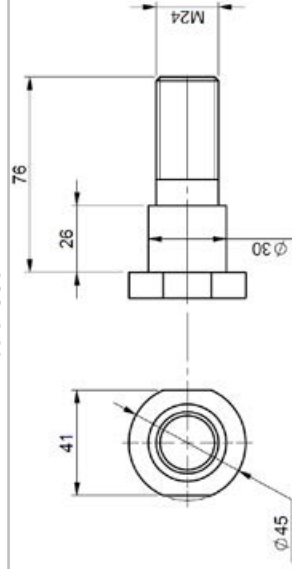
Name of the machine	Ø drilling of the support blade for bolt security (mm)	Mounted blades		Mounted blades		Code	Description	Weight
		Description	Blade thickness (mm)	Ø drilling of the support blade for bolt security (mm)	Code			
CULTIPLow 12 bolt security	Ø18,5	AGRISEM 430 blade kit - thickness 12mm G/D	12	Ø24	12-12-501	Swivel blade ring (Ø24mm/Ø18,5mm)	0,02	
							R18M	0,02
							EN18	0,05
							VH18-055	0,16
CULTIPLow 28 ECOPLOW SR COMBIPLow 16 COMBIPLow 20S CULTIPLow 15 (BC and NS) AGROMULCH (BC and NS) MAXIMULCH non-stop	Ø24,5	TCS-LAM15-550G/D	15	Ø31	VPI-501 + EN24	Ø30/24 Swivel bolt for a blade of 15 (VPI-501 + EN24)	0,53	
							AGRISEM 500 blade kit - thickness 15mm G/D	0,58
MAXIMULCH* STRIP-TILL INTEGRAL COMBI-O-SEM + bolt security with multi-pierced support	Ø31 support thickness 25 mm	TCS700 blade kit - thickness 15mm G/D	20	Ø24,5	VPI-509 + EN24	Ø30/24 Shoulder swivel bolt for blade of 20	0,58	
AGROPLOW 18 AGROMULCH SILVER AGROMULCH GOLD (fissuring blade)	20 X 590 blade kit - thickness 20mm G/D	36-03-305					0,63	
AGROMULCH 18 (Stubble-breaking ploughshare)	Ø24,5	AGM06-13-621	25	Ø30,5	BPI-501	Ø30/24 Swivel bolt (VPI-508 + EN24)	0,63	
							Interface ploughshare TRI-O-SEM	0,63
TRI-O-SEM	Ø24,5	AGM06-13-620	/	Ø30,5	BPI-501	Ø30/24 Swivel bolt (VPI-508 + EN24)	0,63	

\* CAUTION: Ø30mm shouldered portion is positioned in security carrier of the bolt unlike other swivel bolts

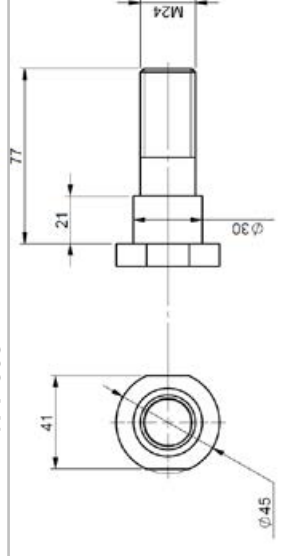
VPI-501



VPI-509



VPI-503

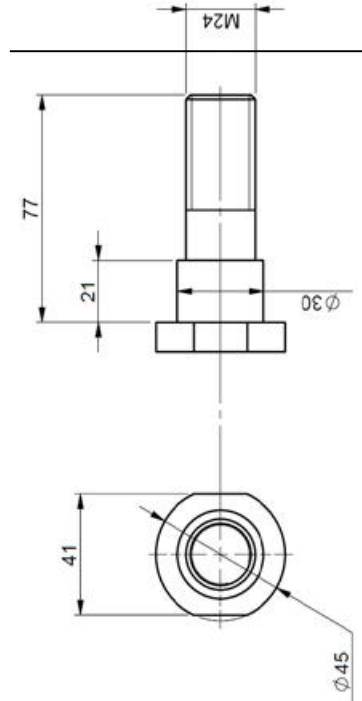


# SWIVEL BOLTS

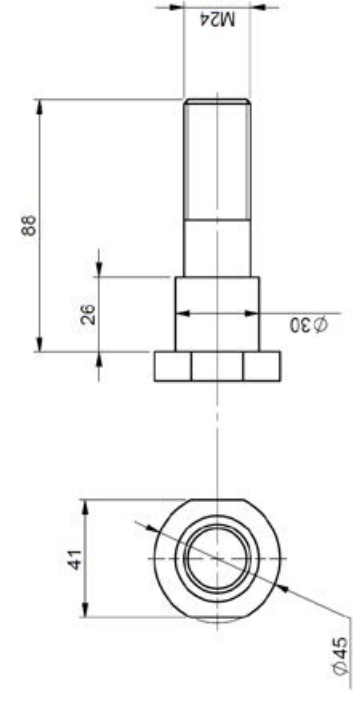


Name of the machine	Ø drilling of the support blade for bolt security (mm)	Mounted blades			Mounted blades Ø drilling of the support blade for bolt security (mm)	Swivel bolt (unit)	
		Code	Description	Blade thickness (mm)		Code	Description
COMBIPILOW 31+ COMBIPILOW 31+ COMBIPILOW 32E COMBIPILOW 32S COMBIPILOW 32+ COMBIPILOW 35D COMBIPILOW 36E COMBIPILOW 36S COMBIPILOW 36+ COMBIPILOW 38SR MULTIPILOW 24 MULTIPILOW 25 MULTIPILOW 51 / 51+ ECOPLOW C / ECOPLOW U MULTIPILOW 67+ / 67 ECOPLOW T (3 <sup>rd</sup> blade) MULTIPILOW 07 (3 <sup>rd</sup> blade)	Ø24,5	TCS-LAM25-650 L/R	TCS650 blade kit - thickness 25mm G/D	25	BPI-501	Ø30/24 Shoulder swivel bolt for blade of 25 (VPI508 + EN24)	0,63
		TCS-LAM20-650 L/R	TCS650 blade kit - thickness 20mm G/D	20	36-03-305	Ø30/24 Swivel bolt for blade of 20 (VPI-503 + EN24)	0,54
		AGR20-611/612	AGRISEM 610 blade kit - thickness 20mm G/D				
ECOPLW T MULTIPILOW 07	Ø24,5	TCS-LAM25-750 L/R	TCS750 blade kit - thickness 25mm G/D avec ACC-607	25	BPI-501	Ø30/24 Shoulder swivel bolt for blade of 25 (VPI508 + EN24)	0,63
		TCS-LAM25-650 L/R	TCS650 blade kit - thickness 25mm G/D	25	BPI-501	Ø30/24 Shoulder swivel bolt for blade of 25 (VPI508 + EN24)	0,63
MULTIPILOW 42	Ø24,5 thickness 35mm	TCS-LAM20-650 L/R	TCS650 blade kit - thickness 20mm G/D	20	VPI-506 + EN24	Ø30/24 shoulder bolt security for 20 blade length under head 87mm	0,61
		AGR20-611/612	AGRISEM 610 blade kit - thickness 20mm G/D				
		32-04-411/412	COMBIPILOW 600 blade kit - thickness 20mm G/D				

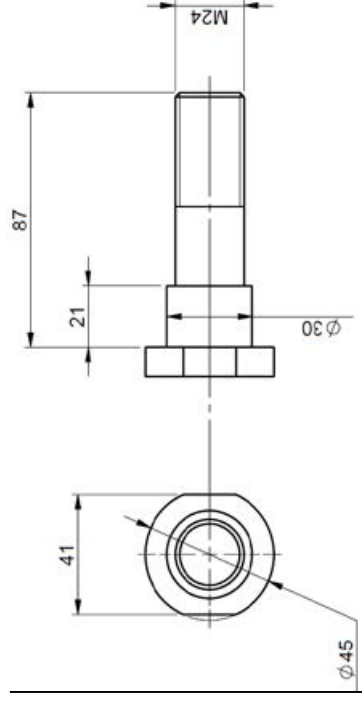
VPI-503



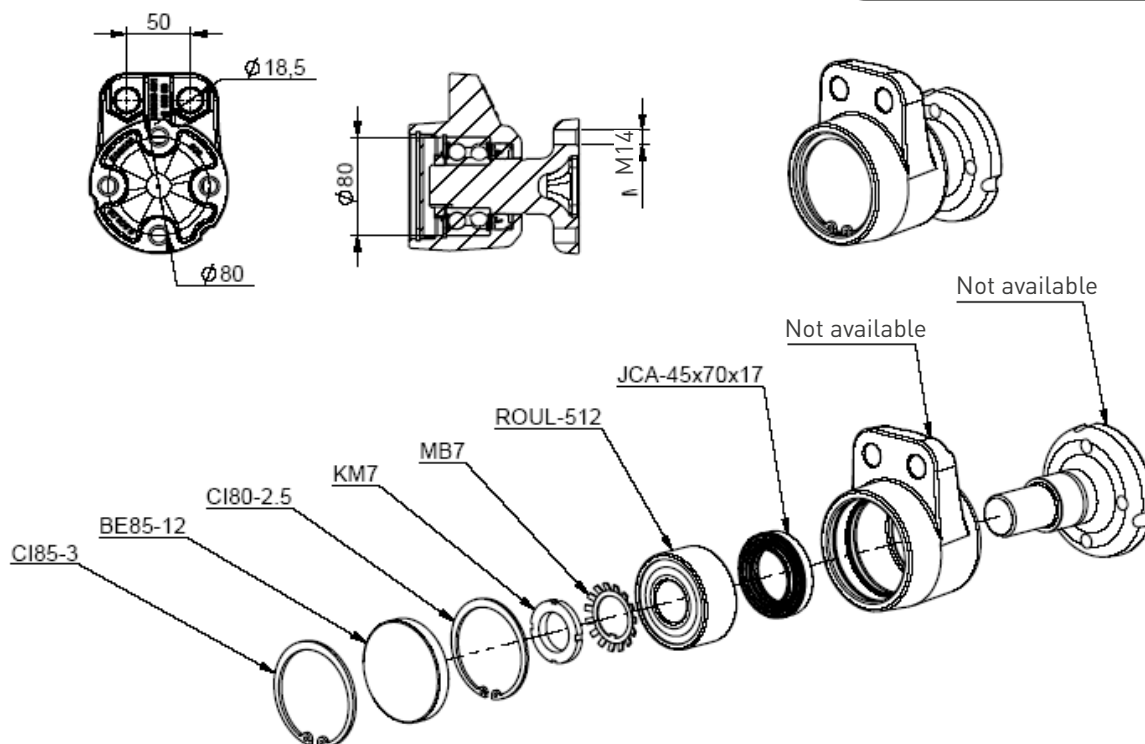
VPI-508



VPI-506



**S «ESS-556» hub**  
 Launchig date: January 2005



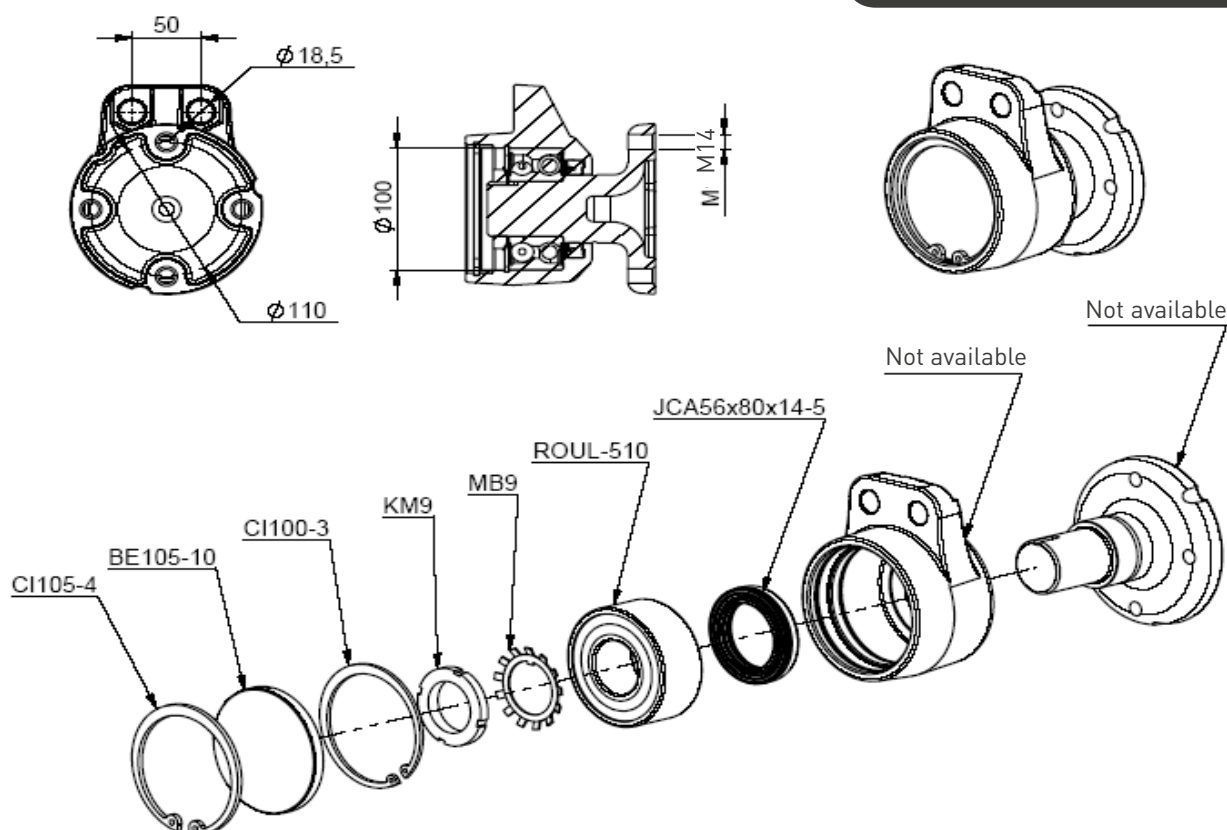
Code	Description	Qty	Weight
<b>ESS-556</b>	<b>Bolted hub kit S Ø80mm (maintenance free)</b>	<b>1</b>	<b>4,5 Kg</b>
JCA-45x70x17	Tight joint Ø45x70x17	1	0,09
ROUL-512	Balls bearing - 3307-2RS1	1	0,79
MB7	Lock washer MB Ø35	1	0,01
KM7	Nut	1	0,07
CI80-2,5	Inside circlips Ø 80x2,5	1	0,03
BE85-12	Sealing cap Ø85 x 12	1	0,11
CI85-3	Inside circlips Ø 85x3	1	0,03

**Compatible parts**

Type of part	Code	Description
3D Security ("T" 2 drilling Ø18 interaxe 50mm)	TCS-SR30-501/502	35x35 mm 3D Security Long Left/Right (2 drillings Ø18mm interaxe 50mm)
	TCS-SR35-505/506	35x35 mm 3D Security Long Left/Right
	DOM8-03-511/512	35x35 mm 3D Security Long Left/Right (drill for Ø12mm platinum)
	DOM8-03-503/504	35x35 mm 3D Security Long Left/Right (drill for Ø12mm platinum)
	DOM11-03-511/512	35x35 mm 3D Security Long Left/Right (drill for Ø12mm platinum)
	DOM16-03-511/512	35x35 mm 3D Security Long Left/Right (drill for Ø12mm platinum)
Rear absorbing arm	TCS-BA35-502	Right 35x35mm absorbed arm (or rear) (2 Ø18mm drills interaxe 50mm)
Discs	TCS-DIS-508	Ø460 rounded crenellated disc - 8 holes
	TCS-DIS-536	Ø510 rounded crenellated disc - 8 holes
	TCS-DIS-537	Ø560 rounded crenellated disc - 8 holes
Bolting and accessories for "T" 2 drilling Ø18 interaxe 50mm)	B4-1425	4 screws VH14-025FT for fixing the hub - disc
	ACC-603	Orientating wedge 8° for the Disc-O-Mulch ends
	B2-1865	2 bolts + 2 Ø18mm washers for fixing the hub on the 3D Security
	DOM11-08-509	Independant Ø40 bolt for BEST DS610
	DOM8-13-533	System of individual seeder 2 outputs Ø35mm (for Disc-O-Sem Pneumatic)
<b>Equipped machines</b>	Disc-O-Mulch "S"	COMPACT S, BEST S, CLASSIC S, SUPER S (2004 - 2008), GOLD S
	Disc-O-Sem "S"	DS610, DS750, 1100, 1400, DSF1500, DST3000 et 6000
	Other machines	COMBIMULCH S, ACTIMULCH S

## SE «ESS-548» hub

Launchig date: January 2004



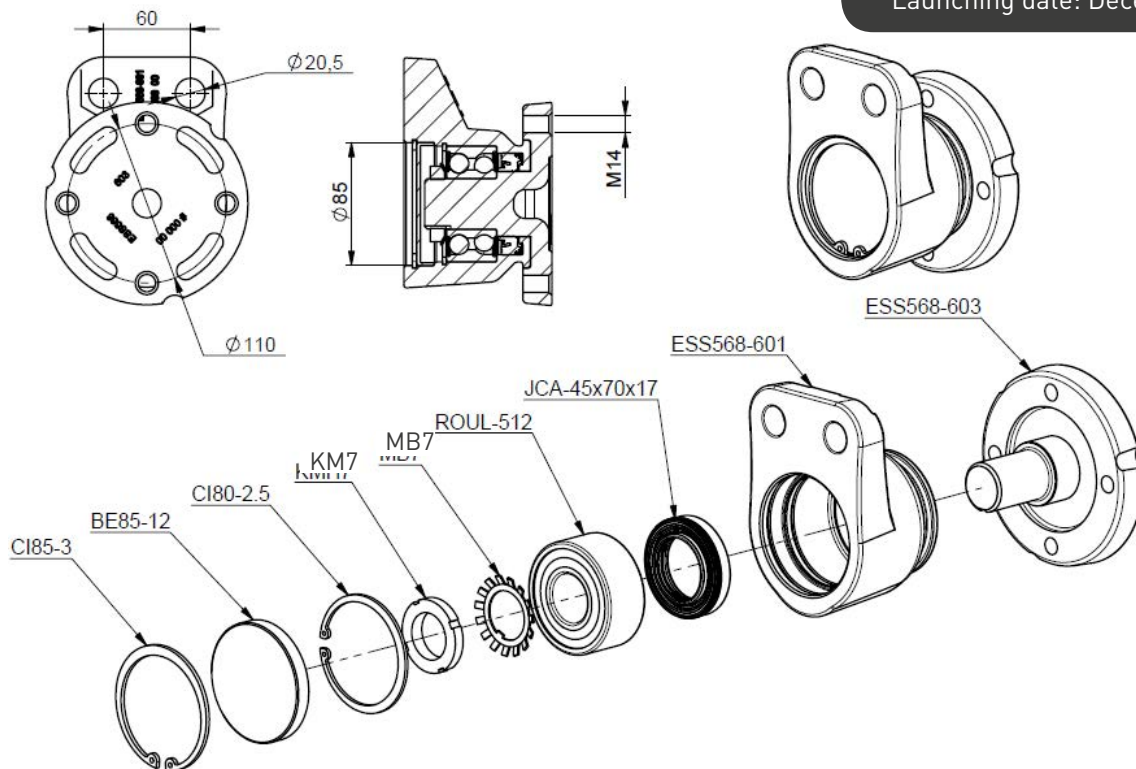
Code	Description	Qty	Weight
<b>ESS-548</b>	<b>SE Ø100mm moulded hub kit high duty (mainenance free)</b>	1	<b>6,5 Kg</b>
JCA-56x80x14,5	Tight joint Ø56x80x14,5	1	0,22
ROUL-510	Balls bearing - 3309-2RS1	1	1,4
MB9	MB Ø45 lock washer	1	0,02
KM9	Nut	1	0,12
CI100-3	Inside circlips Ø100 x 3	1	0,04
BE105-10	Sealing cap Ø105 x 10	1	0,17
CI105-4	Inside circlips Ø105 x 4	1	0,15

## Compatible parts

Type of part	Code	Description
3D Security ("T" 2 drillings Ø18 inertraxe 50mm)	TCS-SR35-505/506	35x35 mm 3D Security Long Left/Right (2 Ø18mm drillings intertraxe 50mm)
	DOM8-03-511/512	35x35 mm 3D Security Long Left/Right (drilling for Ø12mm platinum)
	DOM8-03-503/504	35x35 mm 3D Security Long Left/Right (drilling for Ø12mm platinum)
	DOM11-03-511/512	35x35 mm 3D Security Long Left/Right (drilling for Ø12mm platinum)
Absorbing arm	TCS-BA35-502	Absorbing arm 35x35mm Right (or rear) (2 Ø18mm drillings interaxe 50mm)
Discs	TCS-DIS-508	Ø460 rounded crenellated disc - 8 holes
	TCS-DIS-536	Ø510 rounded crenellated disc - 8 holes
	TCS-DIS-537	Ø560 rounded crenellated disc - 8 holes
	TCS-DIS-503	Ø610 rounded crenellated disc - 8 holes
Bolting and accessories (for "T" 2 drillings Ø18 interaxe 50mm)	B4-1425	4 screws VH14-025FT for fixing the hub to the disc
	B2-1865	2 bolts + 2 washers Ø18mm for fixing the hub on the 3D Security
	DOM8-13-533	System of individual seeder 2 outputs Ø35mm (for Disc-O-Sem Pneumatic)
<b>Equipped machines</b>	Disc-O-Mulch "SE"	COMPACT SE, SUPER SE (version 2004 - 2007), GOLD SE
	Disc-O-Sem "SE"	DS610, DS750, 1100, 1400, DSF1500, DST3000 et 6000
	Other machines "SE"	COMBIMULCH SE, ACTIMULCH SE

**SR «ESS-568» hub**

Launching date: December 2009



Code	Description	Qty	Weight
<b>ESS-568</b>	<b>Bolted SR Ø80mm hub kit (maintenance free)</b>	1	<b>6,62</b>
ESS-568-603	SR hub shaft	1	2,24
ESS-568-601	SR hub main part	1	3,14
JCA-45x70x17	Ø45x70x17 tight joint	1	0,09
ROUL-512	Balls bearing - 3307- 2RS1	1	0,79
MB7	Lock washer MB Ø35	1	0,01
KM7	Nut	1	0,09
CI80-2.5	Inside circlips Ø80 x 2,5	1	0,03
BE85-12	Sealing cap Ø85 x 12	1	0,12
CI85-3	Inside circlips Ø85 x 3	1	0,03

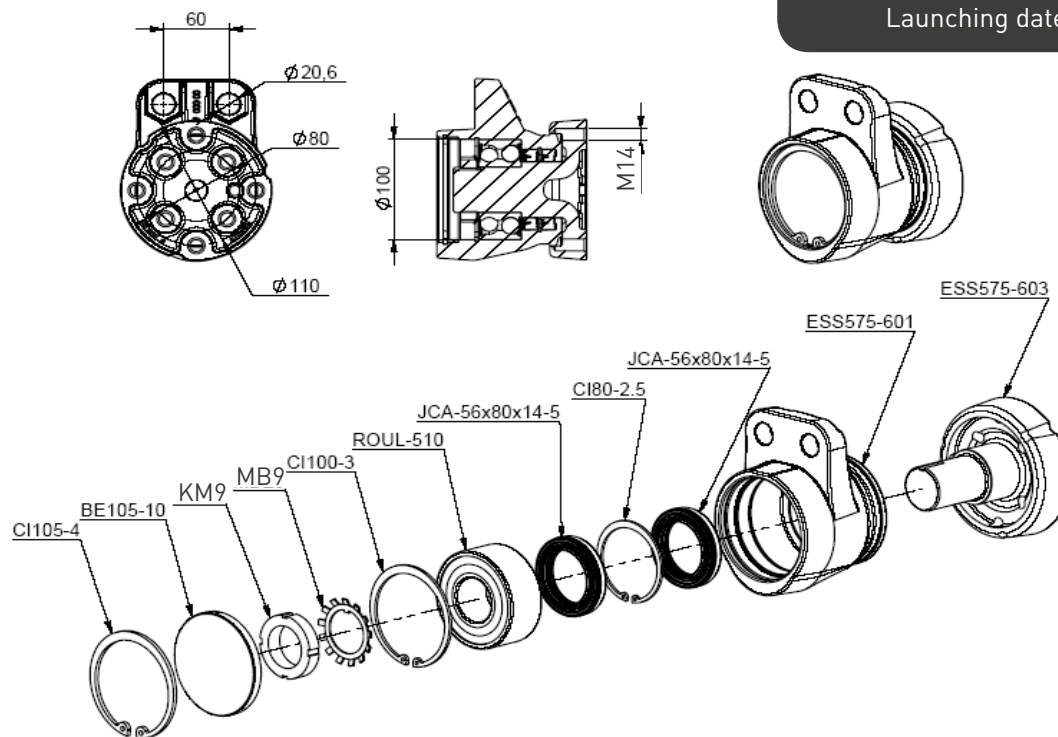
**Compatible parts**

Type of part	Code	Description
3D Security ("T" 2 drillings Ø20 inter-raxe 60mm)	TCS-SR35-511	35x35 mm 3D Security Long Left/Right (2 drillings Ø18mm interaxe 60mm)
	TCS-SR35-512	35x35 mm 3D Security Long Right ("T" 2 drillings Ø20mm interaxe 60mm)
Absorbing arm	TCS-BA35-504	Rear absorbing arm ("T" 2 perçages Ø20mm entraxe 60mm)
Mounted discs	TCS-DIS-508	Ø460mm crenellated disc
	TCS-DIS-536	Ø510mm crenellated disc
	TCS-DIS-537	Ø560mm crenellated disc
	TCS-DIS-503	Ø610mm crenellated disc
Bolting and accessories (for "T" 2 drillings Ø20 inter-raxe 60mm)	B4-1425	4 screws VH14-025FT for fixing the hub to the disc
	ACC-601	Orientating wedge 8° for the ends of the Disc-0-Mulch SR and SRE
	B2-2070	2 bolts + 2 washes Ø20mm for fixing the hub to the 3D Security
	DOM8-13-532	Ø35mm individual seeding system (for Disc-0-Sem Pneumatic SR or SRE)
<b>Equipped machines</b>	Disc-0-Mulch SR	SUPER SR (2010) - GOLD SR - ECODISC - DOM 30 - SILVER
	Disc-0-Sem SR	DS 580, 610, DS1100, DS1400, DSF1500, DOS 6042
	Other SR machines	MAXIMULCH SR, COMBIMULCH SR, DOM 30 Front



# SRE «ESS-575» hub

Launching date: January 2007



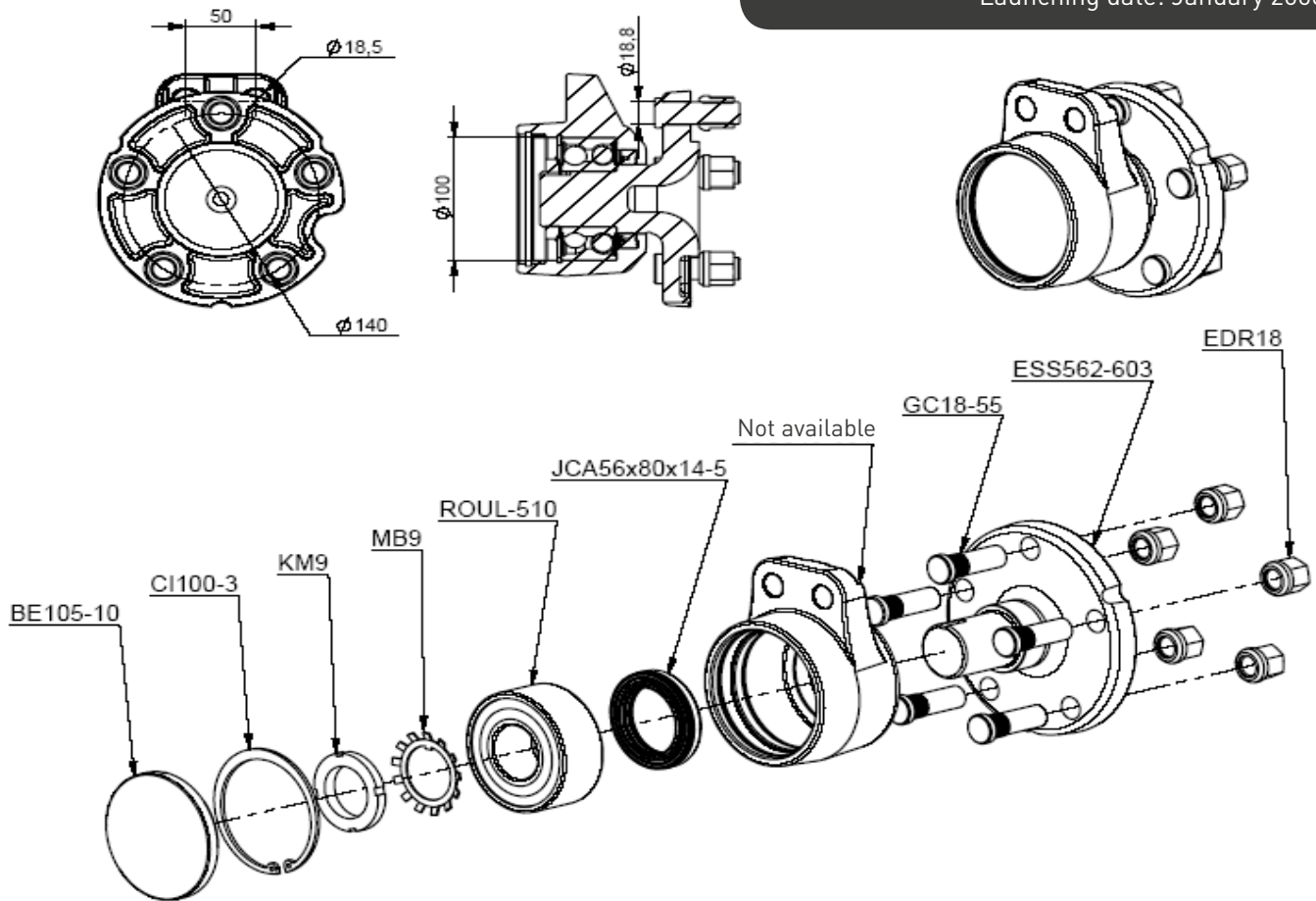
Code	Description	Qty	Weight
<b>ESS-575</b>	<b>Ø100mm bolted SRE hub kit (maintenance free)</b>	1	<b>10,24</b>
ESS-575-603	SRE hub shaft	1	3,42
ESS-575-601	SRE hub main part	1	4,66
JCA-56x80x14-5	Ø56x80x14,5 tight joint	2	0,2
ROUL-510	Balls bearing 3309- 2RS1	1	1,4
MB9	Lock washer MB Ø45	1	0,02
KM9	Nut	1	0,13
BE105-10	Sealing cap Ø105 x 10	1	0,17
CI80-2.5	Inside circlips Ø80 x 2,5	1	0,03
CI100-3	Inside circlips Ø100 x 3	1	0,04
CI105-4	Inside circlips Ø105 x 4	1	0,07

## Compatible parts

Type of part	Code	Description
3D Security ("T" 2 drillings Ø20 interaxe 60mm)	TCS-SR35-511	35x35 mm 3D Security Long Left/Right (2 drillings Ø18mm interaxe 60mm)
	TCS-SR35-512	35x35 mm 3D Security Long Right ("T" 2 drillings Ø20mm interaxe 60mm)
Absorbing arm	TCS-BA35-504	Rear absorbing arm ("T" 2 drillings Ø20mm interaxe 60mm)
Mounted discs	TCS-DIS-508	Ø460mm crenellated disc
	TCS-DIS-536	Ø510mm crenellated disc
	TCS-DIS-537	Ø560mm crenellated disc
	TCS-DIS-503	Ø610mm crenellated disc
Bolting and accessories (for "T" 2 drillings Ø20 interaxe 60mm)	B8-1425	4 screws VH14-025FT for fixing the hub to the disc
	ACC-601	Orientating wedge 8° for the ends of the Disc-O-Mulch SR et SRE
	B2-2070	2 bolts + 2 Ø20mm washers for the hub on the 3D Security
	DOM8-13-532	Ø35mm individual seeding system (for Disc-O-Sem Pneumatic SR or SRE)
<b>Equiped machines</b>	Disc-O-Mulch SRE	SUPER SRE (2010), GOLD SRE , ROBUST - PLATINUM
	Disc-O-Sem SRE	DS 580, 610, DS1100, DS1400, DSF1500
	Other SRE machines	MAXIMULCH SRE, COMBIMULCH SRE

# Flexi-Pack «ESS-562» hub

Launching date: January 2006



Code	Description	Qty	Weight
<b>ESS-562</b>	<b>Bolted Flexi-Pack Ø100mm hub kit (maintenance free)</b>	1	<b>10,11 Kg</b>
ESS-562-603	Flexi-Pack hub shaft	1	4
JCA56x80x14-5	Ø56x80x14,5 tight joint	1	0,22
ROUL-510	Balls bearing - 3309-2RS1	1	1,4
MB9	Lock washer MB Ø45	1	0,02
KM9	M45x1,5 nut	1	0,13
CI100-3	Inside circlips Ø 100x3	1	0,04
BE105-10	Ø105 x 10 Sealin cap	1	0,17
GC18-55	M18x55 crenellated pulley shaft	5	0,13
EDR18	M18 wheel nut	5	0,08

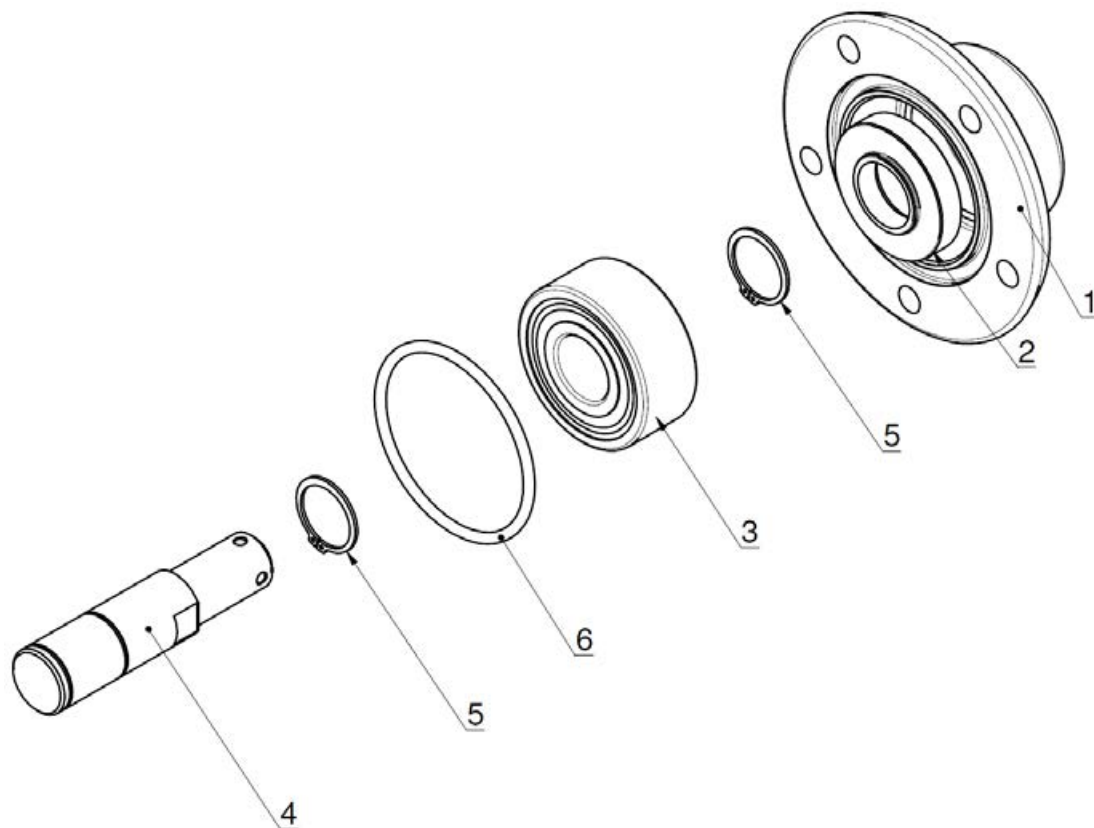
## Compatible parts

Type of part	Code	Description
3D Security	TCS-SR35-521	35x35 mm long 3D Security Flexi-Pack Left
	TCS-SR35-522	35x35 mm long 3D Security Flexi-Pack Right
3D Security with ESS-562 kit	CFP35-005	Flexi-Pack Left kit (1 3D Security + 2 hubs + 2 wheels)
	CFP35-006	Flexi-Pack Right kit (1 3D Security + 2 hubs + 2 wheels)
Bolting	B3-18140	Kit 2 hubs Ø18mm (2 screws VCHC18-140 + 2 nuts EN18)
	B3-181420	Kit 3 hubs Ø18mm (2 screws VCHC18-140 + 1 screws VCHC18-120 + 3 nuts EN18)

<b>Equipped machines</b>	Flexi-Pack roller kit mounted and Flexi-Pack roller kit trailed (since 2006)
--------------------------	--

## COMBI-O-SEM «ESS-590» hub

Launching date: September 2009



Rep	Code	Description	Qty	Weight
	<b>ESS-590</b>	Complete hub for seeding element	1	<b>1,94 Kg</b>
1	ESS-590-601	Hub shaft	1	1,06
2	JCA-25x52x12	Ø25x52x12 tight joint	1	0,1
3	ROUL-521	Double balls bearing Øint:25 - Øext:62	1	0,4
4	ESS-590-602	Hub shaft	1	0,4
5	CE25-1,2	Inside circlips 25x1,2	2	0,02
6	JT68-4	Ø 68 X 4 O-ring	1	0,02

## Compatible parts

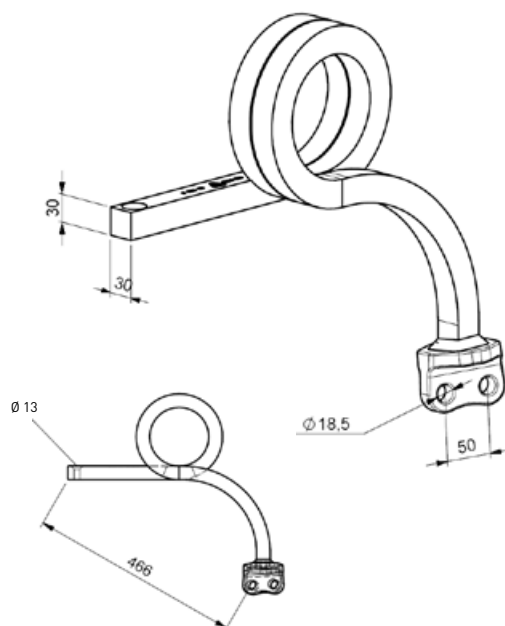
Type of part	Code	Description
COMBI-O-SEM 3D Security	SEM12-13-555	SEM12-13-053 seeding element
Disc	TCS-DIS410-02	Ø410 disc with 5 drillings for Ø12 screws on 100

<b>Equipped machines</b>	COMBI-O-SEM - COMBI-O-SEM+
	LOCASEM

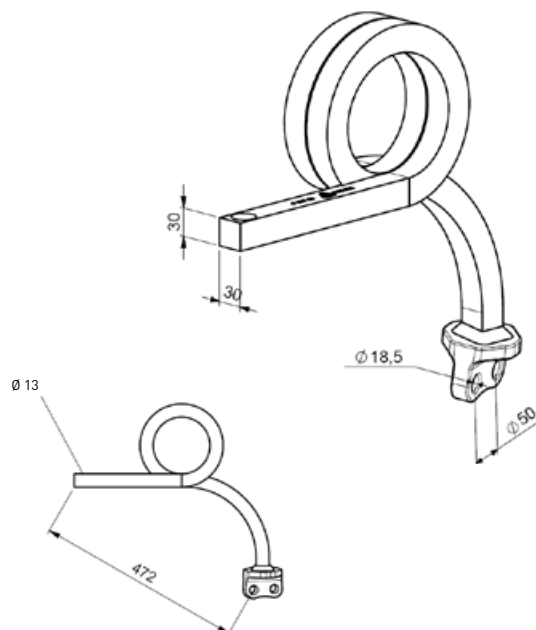
# 30 x 30 long 3D Security Interaxe : 50 mm

Launching date: October 2004

## Left hand 30 x 30 long 3D Security « TCS-SR30-501 »



## Right hand 30 x 30 long 3D Security « TCS-SR30-502 »



Code	Description	Qty	Weight
TCS-SR30-501	Left hand 30 x 30 long 3D Security (2 drillings Ø18mm interaxe 50mm)	1	12,35 Kg
DOM15-03-501*	Left hand 30 x 30 long 3D Security (2 drillings Ø18mm interaxe 50mm)	1	12,35

\* Old reference replaced by "TCS-SR30-501"

TCS-SR30-502	Right hand 30 x 30 long 3D Security (2 drillings Ø18mm interaxe 50mm)	1	12,35 Kg
DOM15-03-502**	Right hand 30 x 30 long 3D Security (2 drillings Ø18mm interaxe 50mm)	1	12,35

\*\*Old reference replaced by "TCS-SR30-502"

## Compatible parts

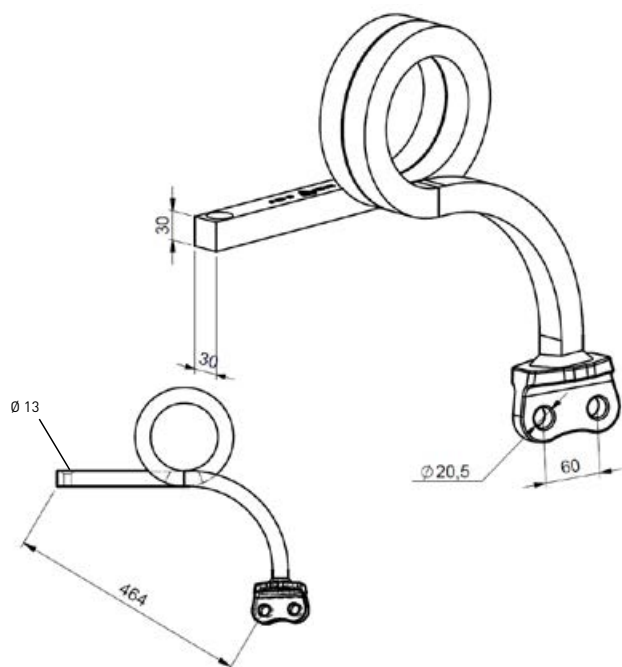
Type of part	Code	Description
Hub	ESS-556	S Ø80mm bolter hub kit (mainenance free)
Connector boards	TCS-PFM-604	Standard connector boards for square 3D Security 30x30mm on 100x100mm beam
	DOM15-03-001	Fixing connector board kit for security with TCS-PFM-604
Bolting	BQ-12	Ø12mm fixing bolt of the 3D Security on connector board
	B2-1865	Ø18mm fixing bolts on hub
	B2-C-18980	Ø18mm fixing bolts on hub + orientating wedge
	B2-C0-18980	Ø18mm fixing bolts on hub + orientating wedge for individual board
Independant board	DOM11-08-509	2x Ø40 independant board with 2x Ø18 to 50 fixation
	DOM11-08-505	2x Ø35 independan board with 2x Ø18 to 50 fixation (4 weeks delay)
Accessories	ACC-603	2xØ18x50 orientating wedge
	DOM8-09-002	Support for 3D Security extra rear left

Equipped machines	DISC-O-MULCH	BEST - ECODISC (June 2010 to december 2010 version)
	DISC-O-SEM	BEST DS 610

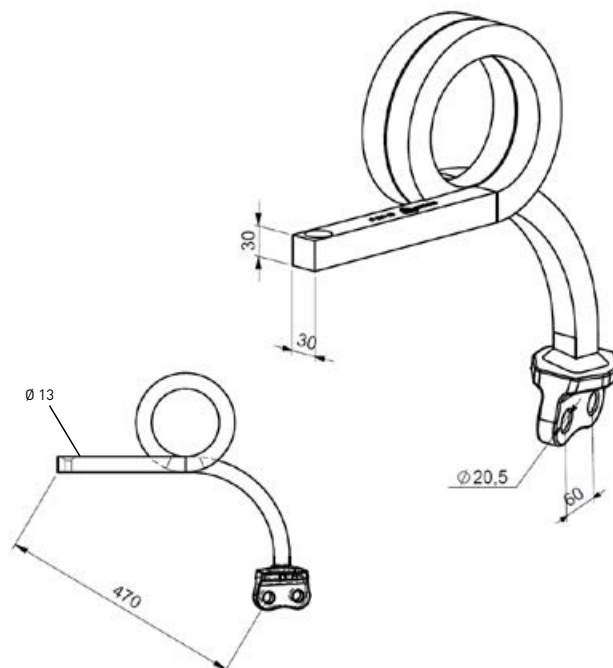
# 30 x 30 long 3D Security Interaxe : 60 mm

Lauching date: December 2010

## Left hand 30 x 30 long 3D Security « TCS-SR30-503 »



## Right hand 30 x 30 long 3D Security « TCS-SR30-504 »



Code	Description	Qty	Weight
TCS-SR30-503	30x30 mm long 3D Securit Left (2 drillings Ø20mm interaxe 60mm)	1	12,71 Kg
TCS-SR30-504	30x30 mm long 3D Securit Right (2 drillings Ø20mm interaxe 60mm)	1	12,71

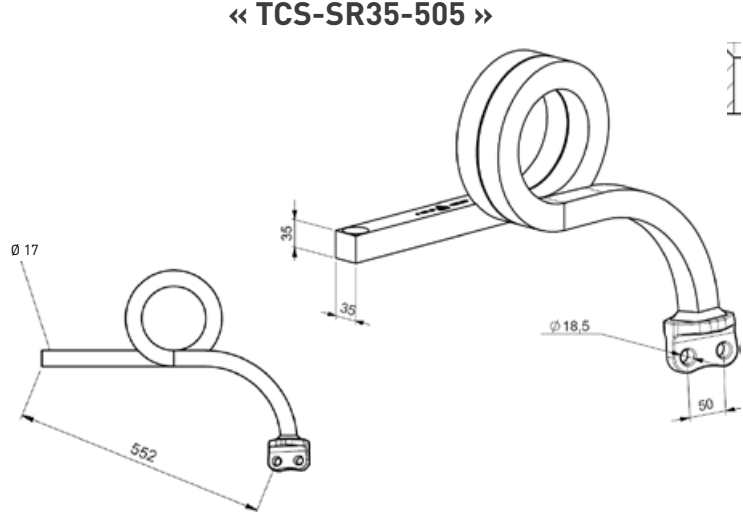
### Compatible parts

Type of part	Code	Description
Hub	ESS-568	SR Ø80mm bolted hub kit (mainenance free)
Connector board	TCS-PFM-604	Standard connector boards for square 3D Security 30x30mm on 100x100mm beam
	DOM15-03-001	Fixing connector board kit for security with TCS-PFM-604
Bolting	BQ-12	Ø12mm fixing bolt of the 3D Security on connector board
	B2-2070	Ø20mm bolts for fixing hubs
	B2-C-2085	Ø20mm bolts for fixing hub + orientating wedge
Independant board	DOM11-08-529	2x Ø40 independant board with 2x Ø20 to 60 fixation (4 weeks delivery time)
	DOM11-08-525	2x Ø35 independant boardwith 2x Ø20 to 60 xation (4 weeks delivery time)
Accessories	ACC-601	2xØ20x60 orientating wedge
	DOM8-09-002	Support for 3D Security extra rear left

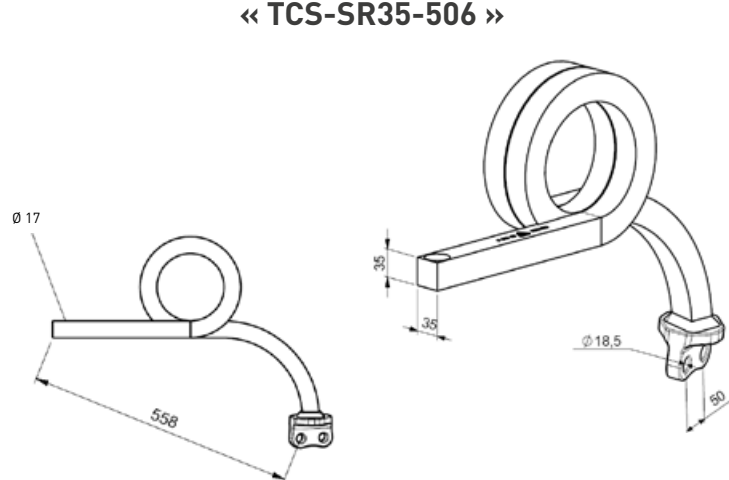
<b>Equipped machines</b>	DISC-O-MULCH	ECODISC - DOM 30 - DOM30 Frontal (since January 2011) - SILVER
--------------------------	--------------	--

**35 x 35 long 3D Security Interaxe 50 mm**  
 Launching date: July 2007

**Left hand 35 x 35 long 3D Security**  
 « TCS-SR35-505 »



**Right hand 35 x 35 long 3D Security**  
 « TCS-SR35-506 »



Code	Description	Qty	Weight
TCS-SR35-505	Left hand 35 x 35 long 3D Security (2 drillings Ø18mm interaxe 50mm)	1	18 Kg
DOM8-03-511*	Left hand 35 x 35 long 3D Security (2 drillings Ø18mm interaxe 50mm) + Ø 12 mm at the front	1	18

\* Old reference replaced by TCS-SR35-505

TCS-SR35-506	Right hand 35 x 35 long 3D Security (2 drillings Ø18mm interaxe 50mm)	1	18 Kg
DOM8-03-512**	Right hand 35 x 35 long 3D Security (2 drillings Ø18mm interaxe 50mm) + Ø 12 mm at the front	1	18

\*\* Old reference replaced by TCS-SR35-506

Compatible parts

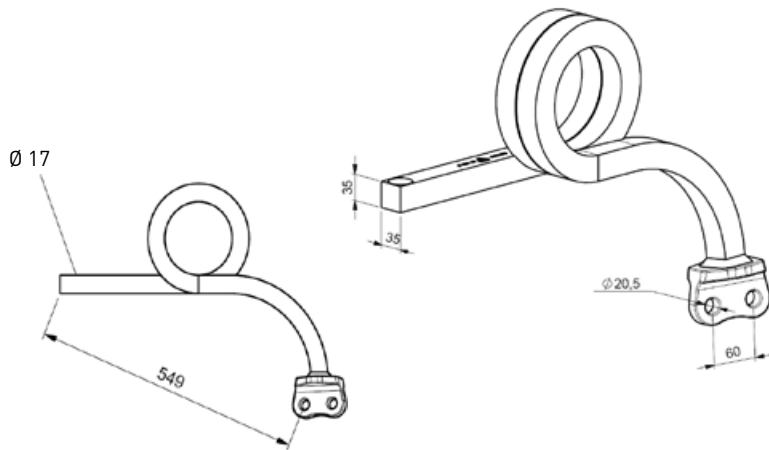
Type of part	Code	Description
Mounted hubs	ESS-556	S Ø80mm bolted hub kit (maintenance free)
	ESS-548	SE Ø100mm bolted hub kit (maintenance free)
Adaptable hub	ESS-574	SRU Ø100mm bolted hub kit (maintenance free)
Connector boards	TCS-PFM-603	Standard connector board for square 35x35mm 3D Security on 120x120mm beam
	TCS-PFM-602	Large connector board for square 35x35mm 3D Security on 120x120mm beam
	ETR504-EN20	Ø20 piston callipers kit for 120x120mm beam
	DOM8-03-052	Fixating connector board 35x35 3D Security (TCS-PFM-603 + ETR-504-EN20)
Bolting	BQ-16	Ø16mm bolt for fixing the 3D Security on the connector board
	B2-1865	Ø18mm fixing bolts for the hubs
	B2-C-18980	Ø18mm fixing bolts for the hubs + orientating wedge
	B2-C0-18980	Ø18mm fixing bolts for the hubs + orientating wedge for seeding system
Seeding system	DOM8-13-533	Individual seeding system 2 Ø35mm outlets (for pneumatic Disc-O-Sem S or SE)
Accessories	ACC-603	Orientating wedge 8° 2xØ18x50 (for the ends of the Disc-O-Mulch S or SE)
	DOM8-09-002	Support for 3D Security extra rear left
Equipped machines	DISC-O-MULCH "S" and "SE"	SUPER (July 2007 to February 2009) - GOLD "S" and "SE" - CLASSIC "S"
	DISC-O-SEM "S" and "SE"	DS750, 1100, 1400 - DSF1500, DST3000 and DST6000



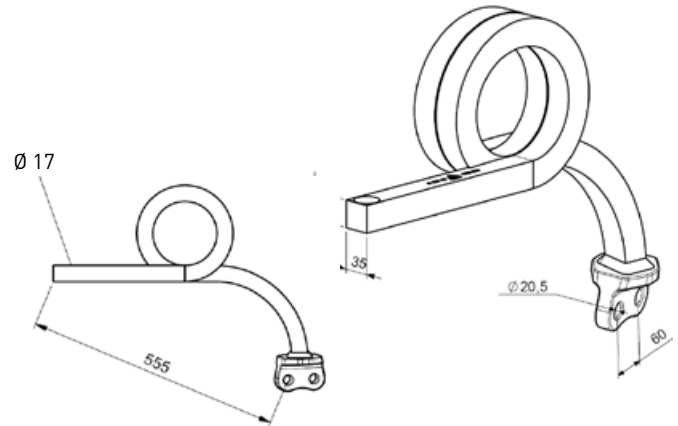
# 35 x 35 long 3D Security Interaxe 60 mm

Launching date: January 2007

## Left hand 35 x 35 long 3D Security « TCS-SR35-511 »



## Right hand 35 x 35 long 3D Security « TCS-SR35-512 »



Code	Description	Qty	Weight
TCS-SR35-511	35x35 mm long 3D Security Left (2 drillings Ø20mm interaxe 60mm)	1	18,39 Kg
TCS-SR35-512	35x35 mm long 3D Security Right (2 drillings Ø20mm interaxe 60mm)	1	18,39

## Compatible parts

Type of part	Code	Description
Mounted hubs	ESS-568	SR Ø80mm bolted hub kit(maintenance free)
	ESS-575	SRE Ø100mm bolted hub kit (maintenance free)
Connector board	TCS-PFM-603	Standard connector board for square 35x35mm 3D Security on 120x120mm beam
	TCS-PFM-602	Standard connector board for square 35x35mm 3D Security on 120x120mm beam
	ETR504-EN20	Piston callipers kit Ø20 for 120x120mm beam
	DOM8-03-053	Standard conector board kit 35x35 3D Security (TCS-PFM-603 + ETR504-EN20)
Bolting	BQ-16	Ø16mm fixing bolt for the 3D Security on the connector board
	B2-2070	Ø20mm fixing bolt for hubs
	B2-C-2085	Ø20mm fixing bolt for hubs + orientating wedge
Seeding system	DOM8-13-532	Individual seeding system 2 Ø35mm outlets (for pneumatic Disc-O-Sem SR or SRE)
Accessories	ACC-601	Orientating wedge 8° 2xØ20x60 (for the ends of the Disc-O-Mulch SR or SRE)
	DOM8-09-002	Support for extra 3D Security rear left
Equipped machines	DISC-O-MULCH "SR" et "SRE"	SUPER* - GOLD «SR» and «SRE» - ROBUST - PLATINUM
	DISC-O-SEM "SR" and "SRE"	SUPER DS580*, DS610*, and GOLD 1100, 1400 - DSF1500, DST3000 and DST6000
	Other machines	MAXIMULCH

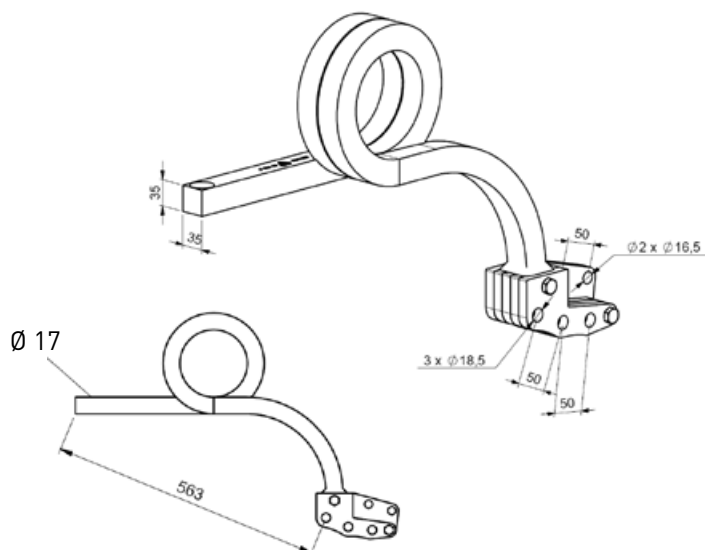
\* Since December 2009

# 35 x 35 Flexi-Pack 3D Security

Launching date: January 2006

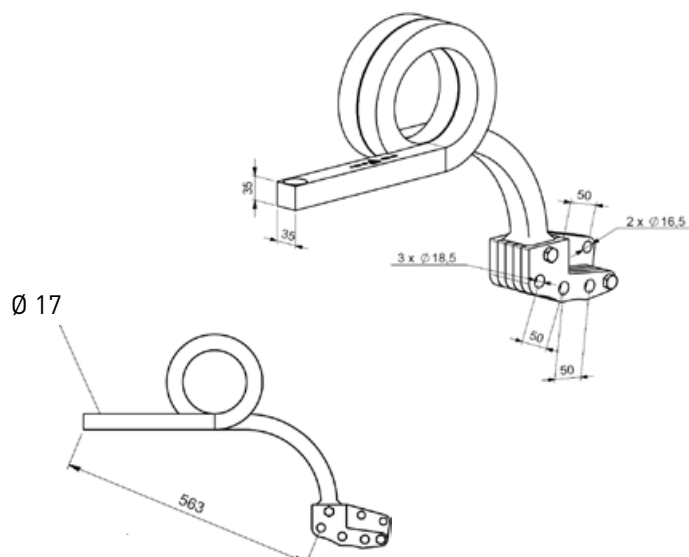
## Left hand 35 x 35 Flexi Pack 3D Security

« TCS-SR35-525 »



## Right hand 35 x 35 Flexi Pack 3D Security

« TCS-SR35-526 »



Code	Description	Qty	Weight
TCS-SR35-525	Left hand 35 x 35 Flexi Pack 3D Security	1	22,41 Kg
TCS-SR35-501*	Left hand 35 x 35 Flexi Pack 3D Security	1	22,41

\* Old reference replaced by "TCS-SR35-525"

TCS-SR35-526	Right hand 35 x 35 Flexi Pack 3D Security	1	22,41 Kg
TCS-SR35-502**	Right hand 35 x 35 Flexi Pack 3D Security	1	22,41

\*\* Old reference replaces by "TCS-SR35-526"

### Compatible parts

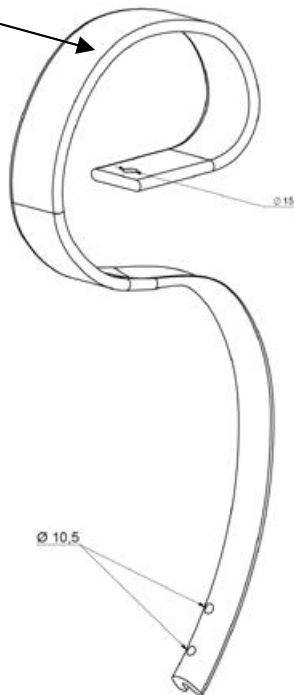
Type of part	Code	Description
Mounted hub	ESS-562	Flexi-Pack Ø100mm bolted hub kit (maintenance free)
Connector boards and connector board kits	TCS-PFM-603	Standard connector board for square 35x35mm 3D Security on 120x120mm beam
	TCS-PFM-602	Large connector board for square 35x35mm 3D Security on 120x120mm beam
	ETR504-EN20	Piston callipers kit Ø20 for 120x120mm beam
	DOM8-03-052	Fixing connector board kit 35x35 3D Security kit (TCS-PFM-603 + ETR-504-EN20)
3D Security kit with ESS-562 hub	CFP35-005	Flexi-Pack Left kit (1 3D Security + 2 hubs + 2 wheels)
	CFP35-006	Flexi-Pack Right kit (1 3D Security + 2 hubs + 2 wheels)
Bolting	BQ-12	Ø12mm fixing bolt on the 3D Security for the connector board
	BQ-16	Ø16mm fixing bolt on the 3D on the connector board (since 2009)
	B3-18140	2 Ø18mm fixing bolts (2 screws VCHC18-140 + 2 nuts EN18)
	B3-181420	3 Ø18mm fixing bolts (2 screws VCHC18-140 + 1 screw VCHC18-120 + 3 nuts EN18)

<b>Equipped machines</b>	Flexi-Pack roller kit mounted and Flexi-Pack roller kit trailed (since January 2006)
--------------------------	--

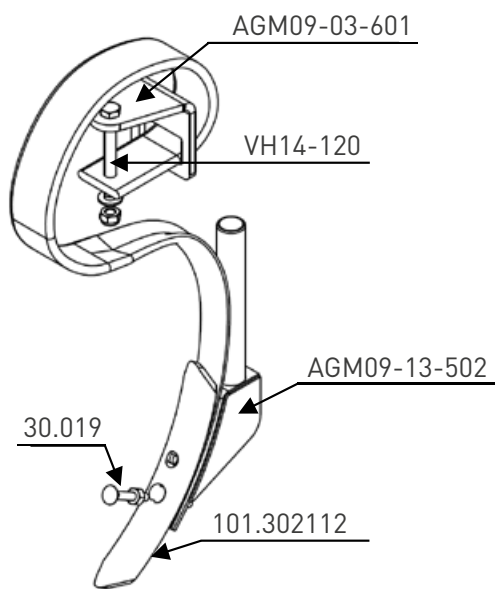
«101.310721» VIBROMULCH tine

Launching date: May 2012

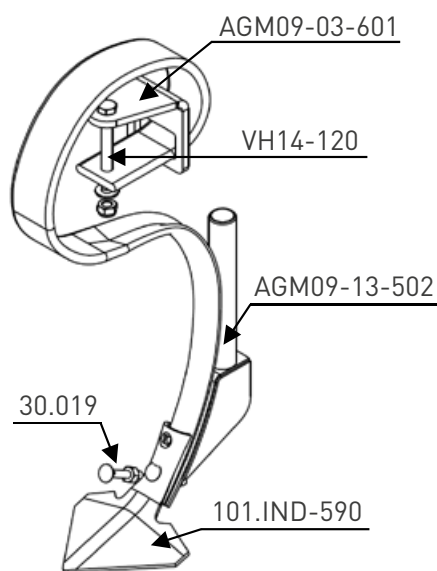
101.310721



**VIBROSEM tine with straight share and seeding system**



**VIBROSEM tine with sweep share and seeding system**



Code	Description	Qty	Weight
101.310721	Vibromulch tine - hight: 730mm (with 2 drillings Ø10,5 interaxe 45mm)	1	9,1 Kg
AGM09-03-003	VIBROSEM tine with straight share and seeding system	1	13,2
AGM09-03-004	VIBROSEM tine with sweep share and seeding system	1	13

Compatible parts

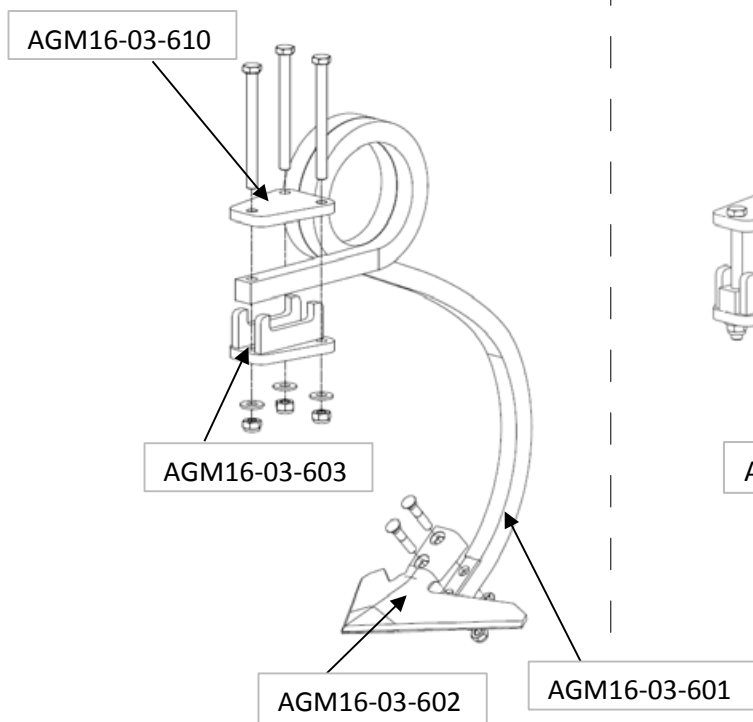
Type of part	Code	Description
Flanges	AGM09-03-601	Tine flange - thickness: 10mm
Bolting and accessories	VH14-120	Ø14mm fixing screw for the tine on the flange
	EN14	Ø14mm fixing nut for the tine on the flange
	30.019	TFCC 10 x 70 screw for fixing share - seeding system
	AGM09-13-502	Seeding system for VIBROMULCH
Shares	101.302112	VIBROMULCH straight share
	101.IND-590	VIBROMULCH sweep share

<b>Equipped machines</b>	VIBROMULCH - VIBROSEM
--------------------------	-----------------------

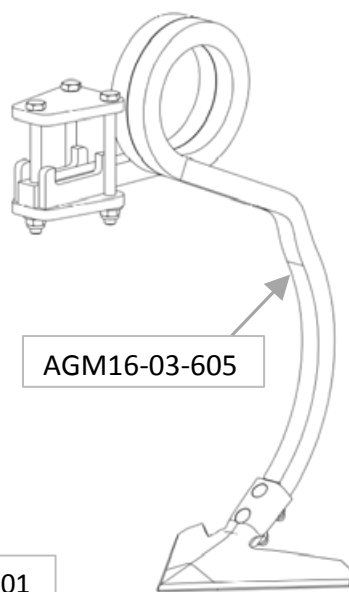
# VIBROGERM Tines

Launching date : May 2015

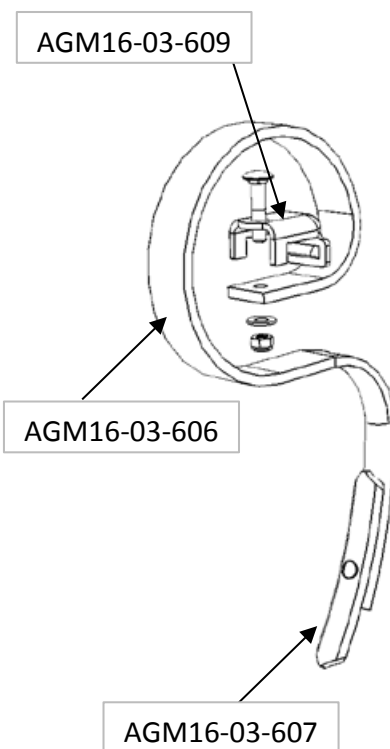
Right hand tines kit of  
Vibrogerm 25x25 mm  
AGM16-03-001



Left hand tines kit of  
Vibrogerm 25x25 mm  
AGM16-03-002



Tines kit of Vibrogerm (45x10)  
AGM16-03-003



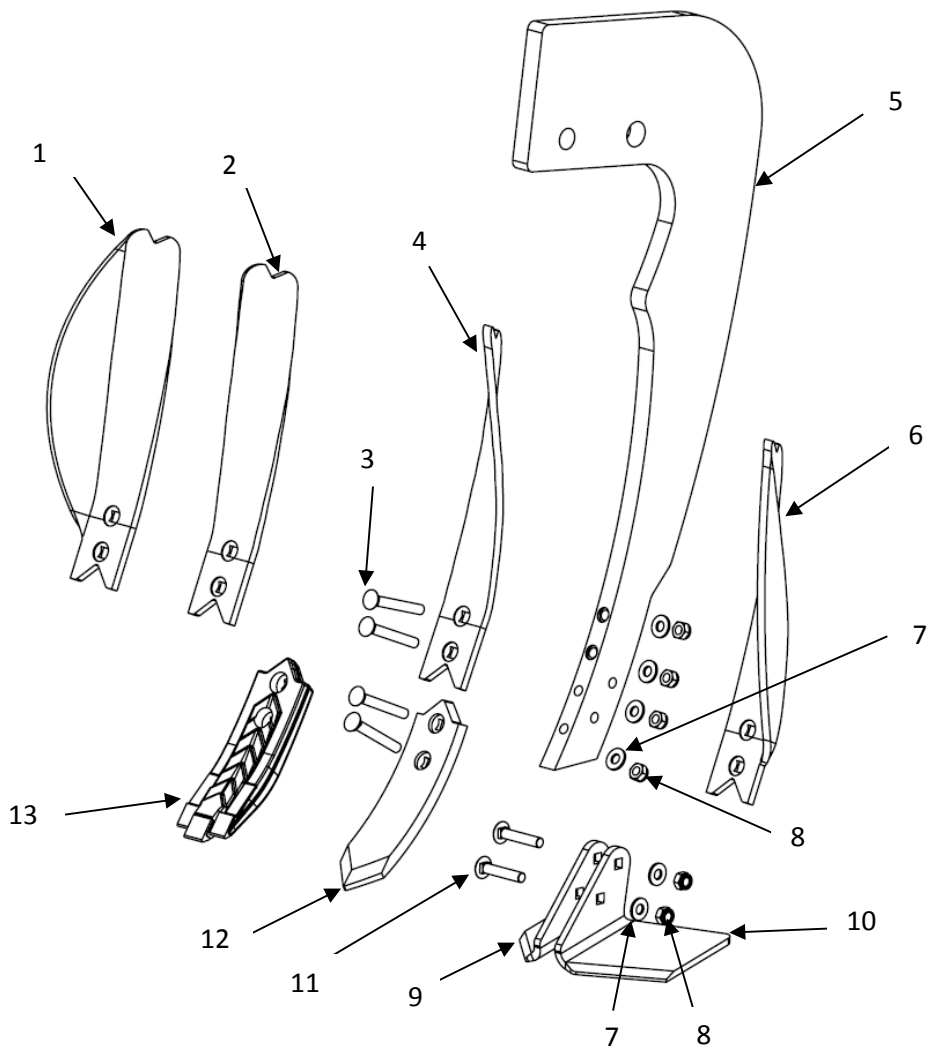
Code	Description	Qty	Weight
AGM16-03-001	Right hand VIBROGERM tines kit with mounting flange and wing share	1	12,5 Kg
AGM16-03-002	Left hand VIBROGERM tines kit with mounting flange and wing share	1	12,5
AGM16-03-003	VIBROGERM vibrating tines kit with tines 45x10, straight share, mounting flange with screws	1	5
AGM16-03-606	VIBROGERM tines 45x10mm	1	3,8
AGM16-03-601	Right hand 3D security 25x25mm tines	1	8,6
AGM16-03-605	Left hand 3D security 25x25mm tines	1	8,6
AGM16-03-607	Straight share 200x38mm	1	0,5
AGM16-03-602	Wing share 265mm width	1	1,1

**Equipped  
machines**

VIBROGERM

# MAXIMULCH serie 5 Tines AGM HD

Launching date : Janvier 2015

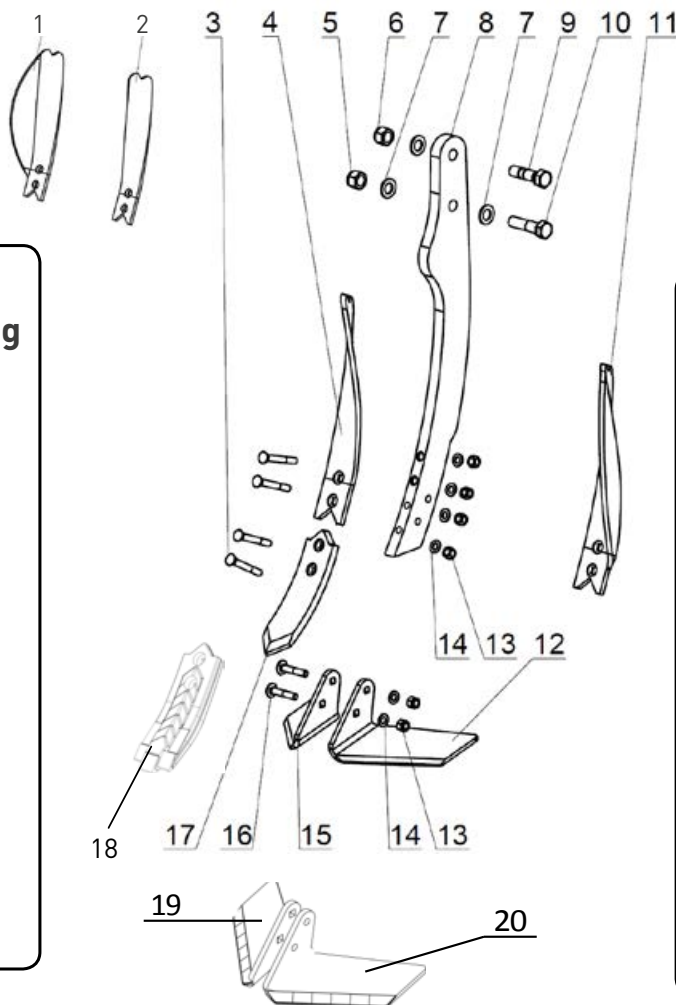


Rep	Code	Description	Qty	Weight
1	AGM11-03-630	Left hand side moldboard	1	4,2 Kg
2	AGM11-03-625	Left hand moldboard	1	2,8
3	VFCC12-090	Share fixing screw VFCC	4	0,8
4	AGM11-03-624	hand moldboard	1	2,8
5	MM08-03-631	Tine	1	15
6	AGM11-03-631	hand side moldboard	1	4,2
7	R12M	Ring	6	0,01
8	EPFFN12-109	Nut for share fixing screw - M12	6	0,15
9	MM08-03-632	Right hand wing without carbide	1	2,3
10	MM08-03-633	Left hand wing without carbide	1	2,3
11	VPPFBCC12-065-109	Wing fixing screw VBCC	2	0,7
12	AGM11-03-623	Standard share without carbide	1	2,1
13	AGM11-03-551	Share with carbide	1	3,4

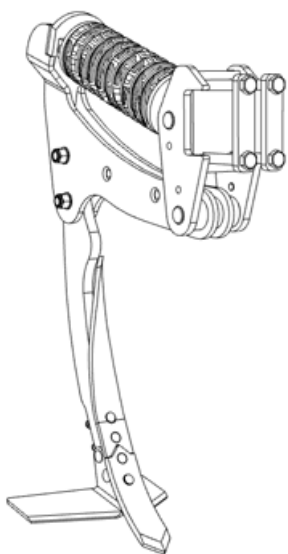
<b>Equipped machines</b>	MAXIMULCH série 5
--------------------------	-------------------

# AGROMULCH SILVER-GOLD tine

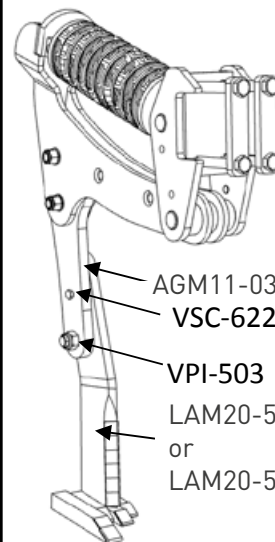
Launching date: March 2013



**AGROMULCH tine with stubble-breaking share**



**AGROMULCH tine with fissurating blade**



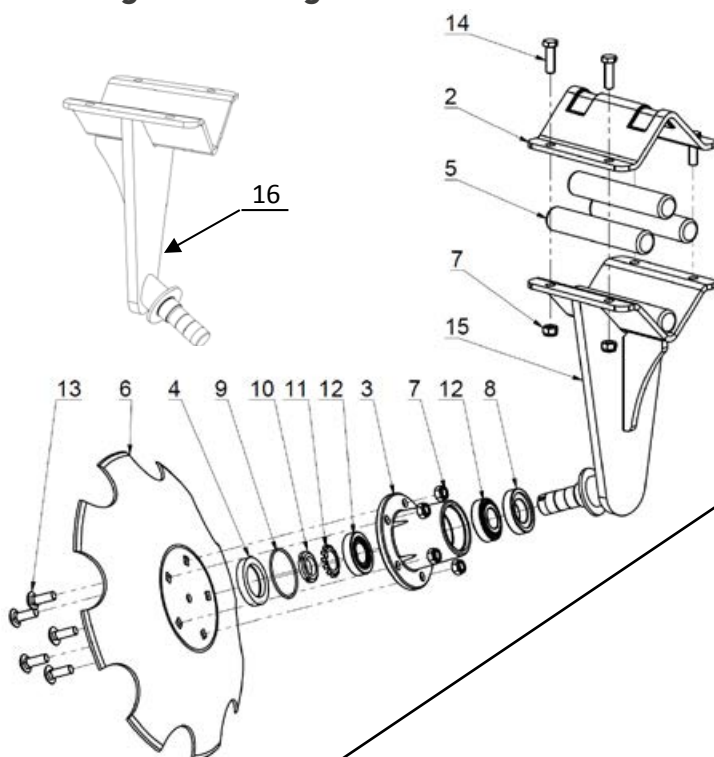
Rep	Code	Description	Qty	Weight
1	AGM11-03-630	Left hand side moldboard	1	4,2 Kg
2	AGM11-03-625	Left hand side moldboard	1	2,8
3	VFCC12-090	Fixating screw for VFCC share	4	0,8
4	AGM11-03-624	Right hand side moldboard	1	2,8
5	EN20	Swivel screw nut - M20	1	0,6
6	EN20	Nut for security screw - M20	1	0,6
7	R20M	Washer	2	0,02
8	AGM11-03-621	Shoring tine carrier	1	11
9	VSC-624	Notched security screw M20 x 75	1	0,7
10	VH20-080-109	Swivel screw	1	0,8
11	AGM11-03-631	Right hand side moldboard	1	4,2
12	AGM11-03-627	Left wing	4	2,3
13	EPFFN12-109	Nut for fixing Share - M12	6	0,15
14	R12M	Washer	6	0,01
15	AGM11-03-626	Right wing	2	2,3
16	VPFFBCC12-065-109	Fixating scew for VBCC wing	2	0,7
17	AGM11-03-623	Standard share without carbide	1	2,1
18	AGM11-03-551	Share with carbide	1	3,4
19	AGM11-03-552	Right hand wing with carbide	1	2,5
20	AGM11-03-553	Left hand wing with carbide	1	2,5
<b>Equipped machines</b>		AGROMULCH SILVER / AGROMULCH GOLD		



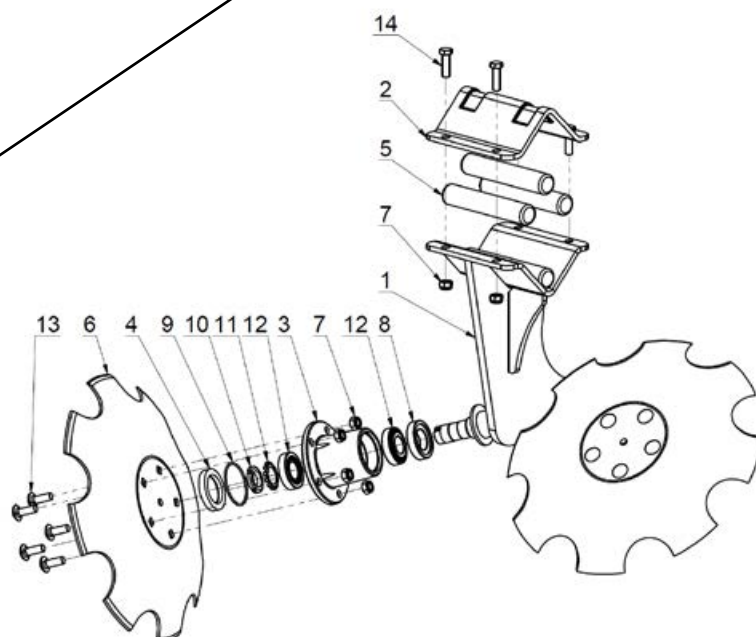
# AGROMULCH SILVER-GOLD levelling-out disc

Launching date: March 2013

## Single levelling-out disc



## Double levelling-out disc

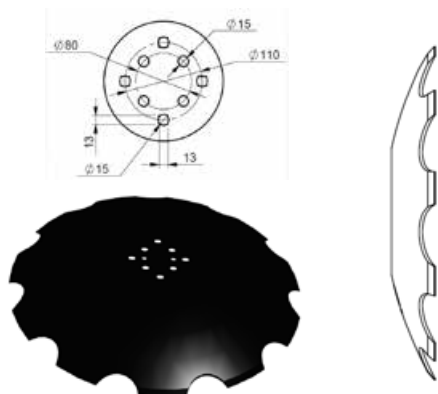


Rep	Code	Description	Weight
	<b>AGM11-10-001</b>	<b>Complete disc kit for single levelling-out Left</b>	<b>22 Kg</b>
	<b>AGM11-10-002</b>	<b>Complete disc kit for single levelling-out Right</b>	<b>22</b>
	<b>AGM11-10-003</b>	<b>Complete disc kit for double levelling-out</b>	<b>33</b>
1	AGM11-10-503	Disc support double	13
2	AGM11-10-601	Rubber security flange	3,06
3	AGM11-10-608	Hub	2,5
4	AGM11-10-609	Ø70x11 lid	0,03
5	AGM11-10-610	Ø35x190 polymer absorber	0,2
6	DIS-556	Ø460x4mm crenellated disc for levelling-out	4,6
7	EPFFN12-109	M12 nut	0,1
8	JCA-35X65X17	35x65x17 tight joint	0,03
9	JT68-3	Ø68x3 O-ring	0,01
10	KM6	M30x1,5 notched nut	0,05
11	MB6	Ø30 lock washer	0,01
12	ROUL-504	Bearing with 30206 conical roller	0,03
13	VPFFBCC12-035-109	M12x35 screw	0,05
14	VPFFH12-040-109	M12x40 screw	0,06
15	AGM11-10-501	Left support of single disc	9,5
16	AGM11-10-502	Right support of single disc	9,5
<b>Equipped machines</b>		AGROMULCH SILVER / AGROMULCH GOLD	

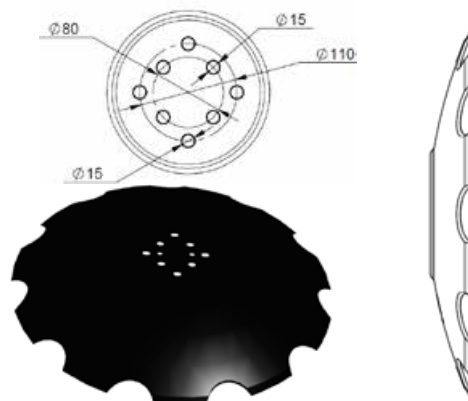
# Crenellated discs

Launching date: January 2001

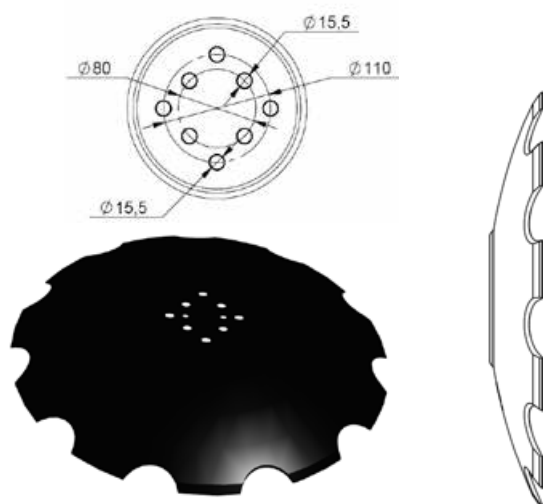
## Ø460mm Disc «TCS-DIS-508»



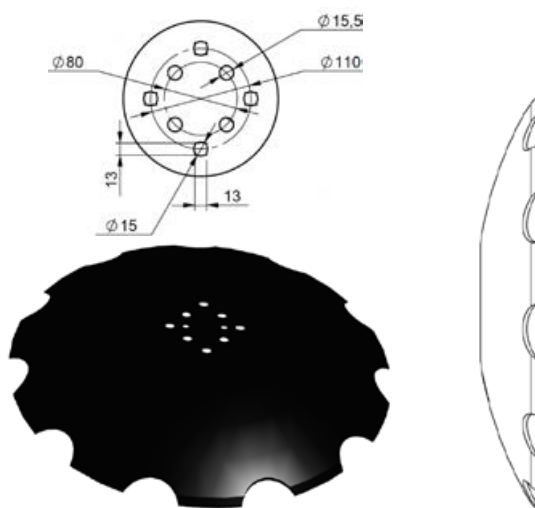
## Ø510mm Disc «TCS-DIS-536»



## Ø560mm Disc «TCS-DIS-537»



## Ø610mm Disc «TCS-DIS-503»



Code	Description	Qty	Weight
TCS-DIS-508	Ø460 curved crenellated disc with flat bottom	1	4,6 Kg
TCS-DIS-536	Ø510 crenellated disc	1	5,67
TCS-DIS-537	Ø560 crenellated disc	1	8
TCS-DIS-503	Ø610 curved crenellated disc with flat bottom	1	11.32

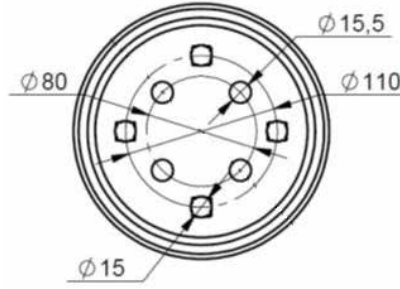
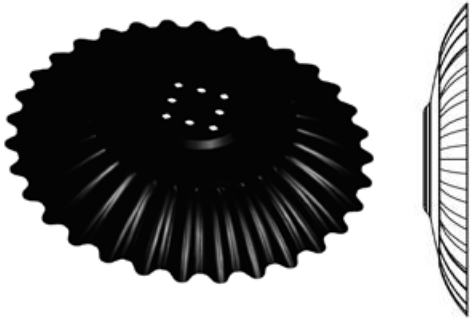
### Compatible parts

Type of part	Code	Description
Hubs	ESS-556	S Ø80mm bolted hub kit (maintenance free)
	ESS-548	SE Ø100mm bolted hub kit (maintenance free)
	ESS-568	SR Ø80mm bolted hub kit (maintenance free)
	ESS-575	SRE Ø100mm bolted hub kit (maintenance free)
Bolting Hub-Disc	B4-1425	4 screws VH14-025FT for fixing hub - disc
	B8-1425	8 screws VH14-025FT for fixing hub - disc

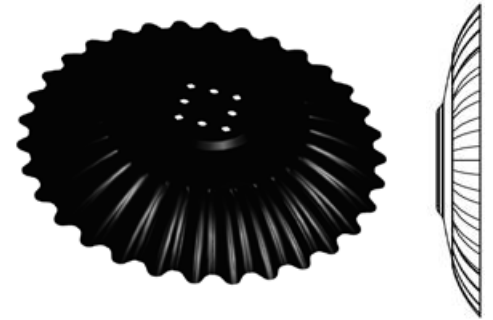
Equipped machines	Disc-O-Mulch	Super (the 2 versions) - Gold - Robust (equipped with Ø610mm discs) - PLATINUM
	Disc-O-Sem	Super DS610,580 - Gold and Super DS1100, 1400, DST6000, DOS 6042
	Other machine	Maximulch (since 2014)

**Mulcher discs**  
 Launching date: January 2014

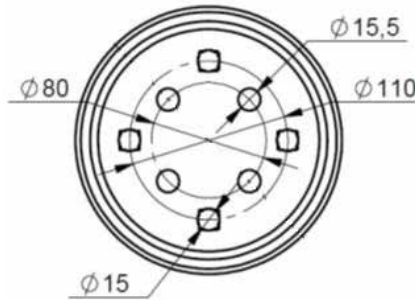
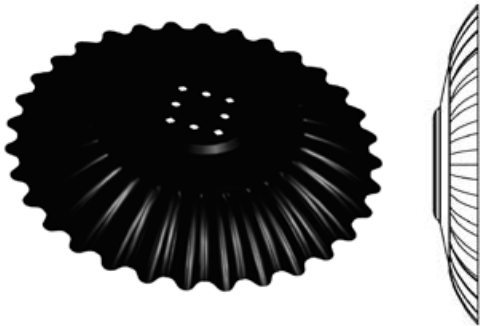
**Ø510mm disc «DIS-553»**



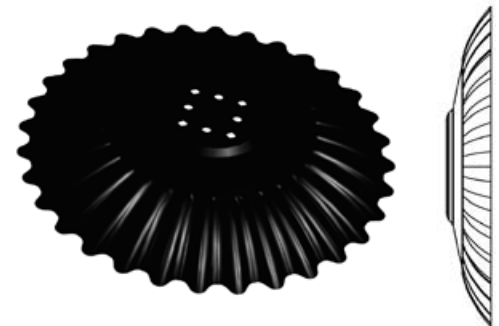
**Ø560mm disc «DIS-552»**



**Ø610mm disc «DIS-551»**



**Ø660mm disc «DIS-550»**



- Mulcher disc with crenellated profile
- Great capacity to cut up the crops
- Unchanged profile of the disc after use
- Adaptable with SRE hubs and 35X35mm 3D Security
- Adaptable with SR hubs 30X30mm 3D Security only

Code	Description	Qty	Weight
DIS-553	Ø510 mm Mulcher disc	1	8 Kg
DIS-552	Ø516 mm Mulcher disc	1	10
DIS-551	Ø610 mm Mulcher disc	1	12
DIS-550	Ø660 mm Mulcher disc	1	17

Compatible parts

Type of part	Code	Description
Hub	ESS-575	SRE Ø100mm bolted hub kit (maintenance free)
Bolting Hub-Disc	B4-1425	4 screws VH14-025FT for fixing hub - disc
	B8-1425	8 screws VH14-025FT for fixing hub - disc

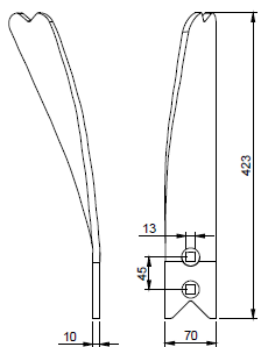
Equipped machines	Disc-O-Mulch	GOLD (since 2014)
	Disc-O-Sem	Super DS610, Gold, DS1100, 1400, DOS 6042, DOS 3022 (since 2014)
	Other machine	Maximulch (since 2014)

# The stubble-breaking Shares

Launching date: September 2010

## AGROMULCH SILVER AND GOLD

**Left molboard**

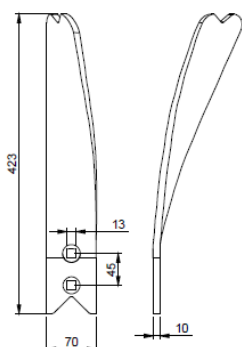


**Share reference:**  
AGM11-03-625

**Share weight:** 2,8 Kg  
Screw VFCC 12 X 90

**Screw reference:**  
VFCC12-090

**Right molboard**

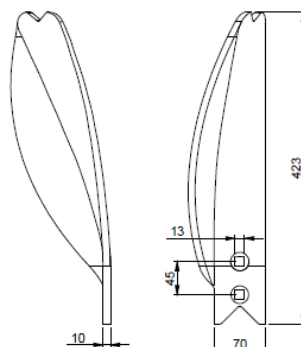


**Share reference:**  
AGM11-03-624

**Share weight:** 2,8 Kg  
Screw VFCC 12 X 90

**Screw reference:**  
VFCC12-090

**Side left molboard**

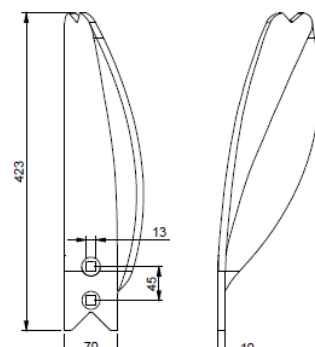


**Share reference:**  
AGM11-03-630

**Share weight:** 4,2 Kg  
Screw VFCC 12 X 90

**Screw reference:**  
VFCC12-090

**Side right molboard**

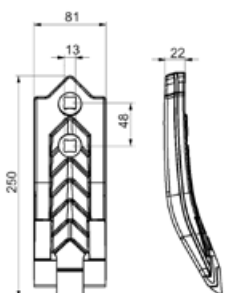


**Share reference:**  
AGM11-03-631

**Share weight:** 4,2 Kg  
Screw VFCC 12 X 90

**Screw reference:**  
VFCC12-090

**Carbide Share**

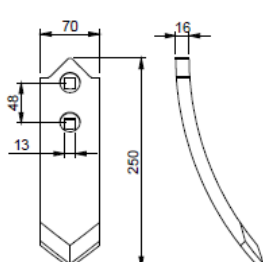


**Share reference:**  
AGM11-03-551

**Share weight:** 3,4 Kg  
Screw VFCC 12 X 90

**Screw reference:**  
VFCC12-090

**Share**

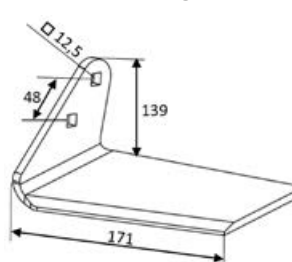


**Share reference:**  
AGM11-03-623

**Share weight:** 2,1 Kg  
Screw VFCC 12 X 90

**Screw reference:**  
VFCC12-090

**Left wing**



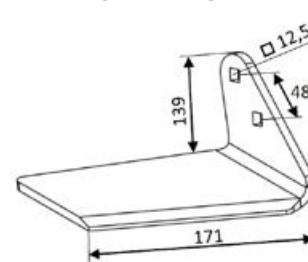
**Standard Share reference:**  
AGM11-03-627

**Carbide Share reference:**  
AGM11-03-553

**Share weight:** 2,3 Kg  
Screw VBCC 12 X 65

**Screw reference:**  
VFFFBC12-065-109

**Right wing**



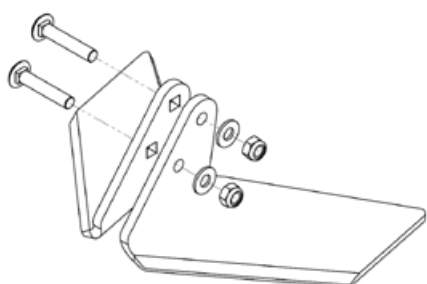
**Standard Share reference:**  
AGM11-03-626

**Carbide Share reference:**  
AGM11-03-552

**Share weight:** 2,3 Kg  
Screw VBCC 12 X 65

**Screw reference:**  
VFFFBC12-065-109

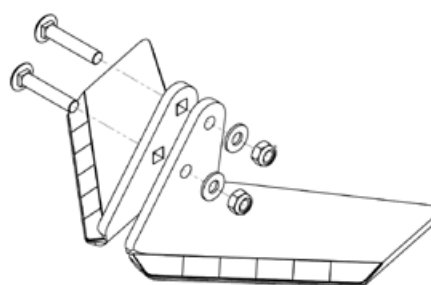
**Standard wing share kit**



Wing share kit without carbide  
(Left wing + Right wing + Screws)

**Kit reference : AGM11-03-010**

**Carbide wing share kit**



Wing share with carbide  
(Left wing + Right wing + Screws)

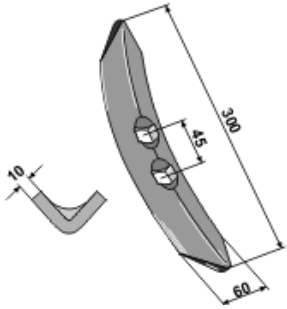
**Kit reference : AGM11-03-011**

# The stubble-breaking Shares

Launching date: September 2010

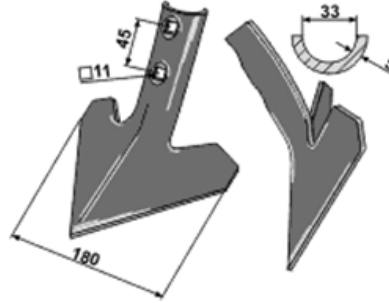
## VIRBROMULCH

**VIBROMULCH right Share**



**Share reference:** 101.302112  
**Share weight:** 1,3 Kg  
 Bolt TFCC 10 X 60  
**Bolt reference:** 30.009

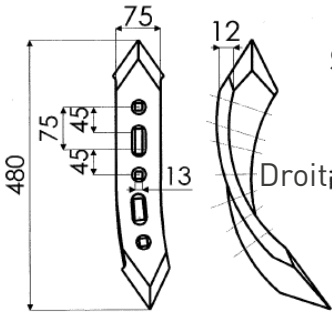
**VIBROMULCH sweep Share**



**Share reference:** 101.IND-590  
**Share weight:** 0,9 Kg  
 Bolt TFCC 10 X 60  
**Bolt reference:** 30.009

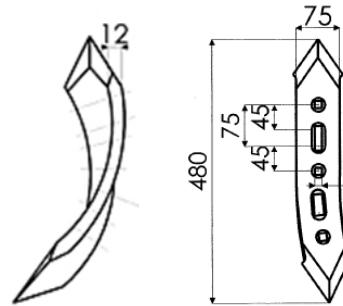
## ECOPLOW PRO - AGROMULCH 18SR - AGROMULCH SERIES 2 AGROMULCH SERIES 3 - AGROMULCH FRONT

**Right hand reversible twisted share**



**Share reference:** 5242448  
**Share weight:** 3,30 Kg  
 Screw TFCC 12 X 80  
**Bolt reference:** 5915250

**Left hand reversible twisted share**

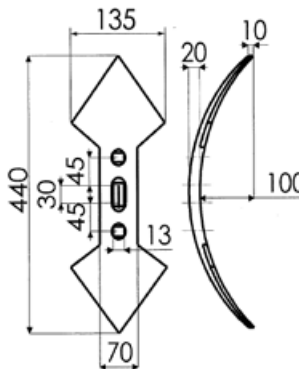


**Plouhshare reference:** 5242449  
**Share weight:** 3,30 Kg  
 Screw TFCC 12 X 80  
**Bolt reference:** 5915250

Right hand reversible twisted share with two screws TFCC 12 X 80 and two EN12 nuts  
**Kit reference: AGM03-03-024**

Left hand reversible twisted share with two screws TFCC 12 X 80 and two EN12 nuts  
**Kit reference: AGM03-03-023**

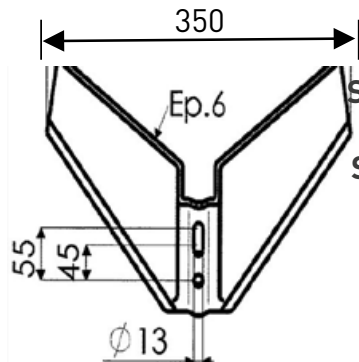
**Double-heart reversible Share**



**Share reference:** 5242505  
**Share weight:** 3,10 Kg  
 Bolt TFCC 12 X 60  
**Bolt reference:** 5215240

Double-heart Share kit with two TFCC screws 12 X 60 and two EN12 nuts  
**Kit reference: AGM03-03-022**

**Winged Share**

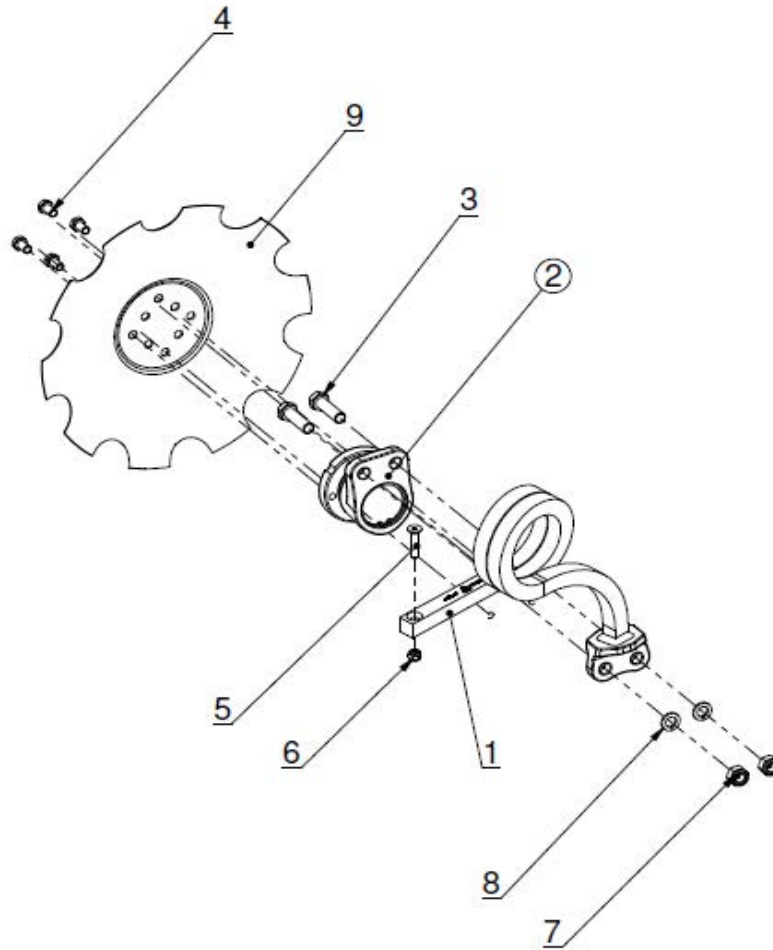


**Share reference:** AGM07-03-610  
**Share weight:** 2,40 Kg  
 Bolt TFCC 12 X 80  
**Bolt reference:** 5915250

3D 30 SC460 front kit

« CD30-SC461-00 »

Launching date: November 2010



Rep	Reference	Description	Qty	Weight
	<b>CD30-SC461-00</b>	<b>Kit 3D QDC 30 hub SC 460 front</b>	<b>1</b>	<b>24,81 kg</b>
1	TCS-SR30-503	3D Security Best Front with 2 x ø20 to 60	1	12,72
2	ESS-568	Hub Culture moulded 2 x ø20 to 60	1	6,63
3	VPFH20-070	H screws - M20 x 70 - 8.8 - covered in white zinc	2	0,25
4	VH14-025-FT	H screws - M14 x 25 - 8.8 - covered in white zinc	4	0,06
5	VFHC12-060-109	Screw FHC - M12 x 60 - 10.9 - covered in white zinc	1	0,06
6	EN12	Nylstop M12 nut - 8.8 - covered in white zinc	1	0,02
7	EPFN20	Nylstop M20 nuts - 8.8 - covered in white zinc	2	0,08
8	RE20	ø20 elastic washers - covered in white zinc	2	0,02
9	TCS-DIS-508	ø460 curved crenellated disc with a flat bottom	1	4,6

Compatible parts

Type of part	Code	Description
Connector board	DOM15-03-001	Connector board kit QDC square 30 - 100 beam
Mounted discs	TCS -DIS-508	ø460 mm crenellated disc
	TCS -DIS-536	ø510 mm crenellated disc
Orientating wedge kit	B2-C-20980	Orientating wedge with its bolting

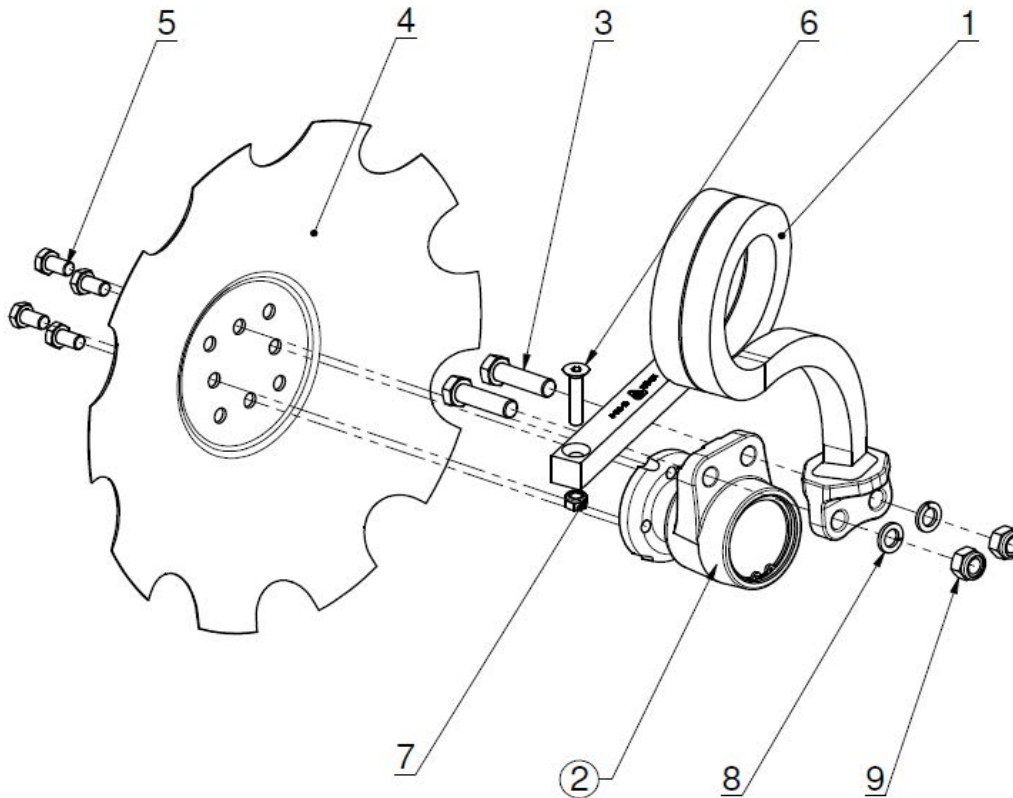
<b>Equipped machines</b>	Best Frontal - Ecodisc - DOM30 - DOM30 Frontal - SILVER - SILVER front
--------------------------	--



**C30 3D + 510 front kit**

« CD30-C511-00 »

Launching date: November 2007



Rep	Reference	Description	Qty	Weight
	<b>CD30-C511-00</b>	<b>Kit C30 3D + 510 front</b>	<b>1</b>	<b>24,55 kg</b>
1	TCS-SR30-501	3D Security Best front with 2 x ø18 to 50	1	12,34
2	ESS-556	Hub Culture moulded 2 x ø18 to 50	1	4,5
3	VH18-065	H screws - M18 x 65 - 8.8 - covered in white zinc	2	0,2
4	TCS-DIS-536	ø508 crenellated disc stamped bottom with 8 holes 14 on ø80 the ø110	1	5,67
5	VH14-025-FT	H screws - M14 x 25 - 8.8 - covered in white zinc	4	0,06
6	VFHC12-060-109	FHC screw - M16 x 60 - 10.9 - covered in white zinc	1	0,06
7	EN12	Nylstop M12 nut - 8.8 - covered in white zinc	1	0,02
8	RE18	ø18 elastic washers - covered in white zinc	2	0,011
9	EN18	Nylstop M20 nuts - 8.8 - covered in white zinc	2	0,05

Compatible parts

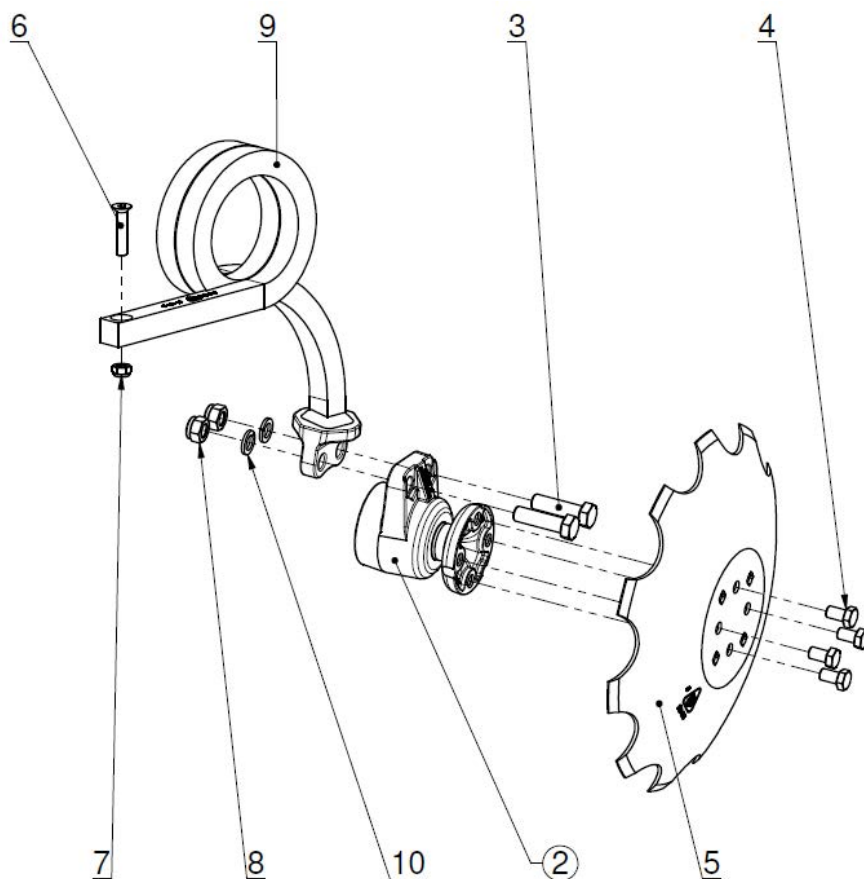
Type of part	Code	Description
Connector board kit	DOM15-03-001	QDC square 30 connector board kit - 100 beam
Mounted discs	TCS -DIS-508	ø460 mm crenellated disc
	TCS -DIS-536	ø510 mm crenellated disc
	TCS -DIS-537	ø560 mm crenellated disc
Orientating wedge kit	B2-C-18980	Orientating wedge with its bolting

<b>Equipped machines</b>	Ecodisc - DOM 30 - DOM30 front - Front Best
--------------------------	---

3D 30 SC460 rear kit

« CD30-C462-00 »

Launching date: January 2008



Rep	Reference	Description	Qty	Weight
	<b>CD30-C462-00</b>	<b>Kit 3D 30 C460 rear</b>	<b>1</b>	<b>23,37 kg</b>
2	ESS-556	Hub Culture moulded 2 x ø18 to 50	1	4,5
3	VH18-065	H screws - M18 x 65 - 8.8 - covered in white zinc	2	0,2
4	VH14-025-FT	H screws - M14 x 25 - 8.8 - covered in white zinc	4	0,06
5	TCS-DIS-508	ø460 crenellated disc with flat bottom and 4 x 14/ø80 and 4 x 12/ø110	1	4,6
6	VFHC12-060-109	FHc screw - M12 x 60 - 10.9 - covered in white zinc	1	0,06
7	EN12	M12 Nylstop nut - 8.8 - covered in white zinc	1	0,02
8	EN18	M18 Nylstop nut - 8.8 - covered in white zinc	2	0,05
9	TCS-SR30-502	3D Security Best rear with 2 x ø18 to 50	1	12,34
10	RE18	Elastic washer ø18 - covered in white zinc	2	0,011

Compatible parts

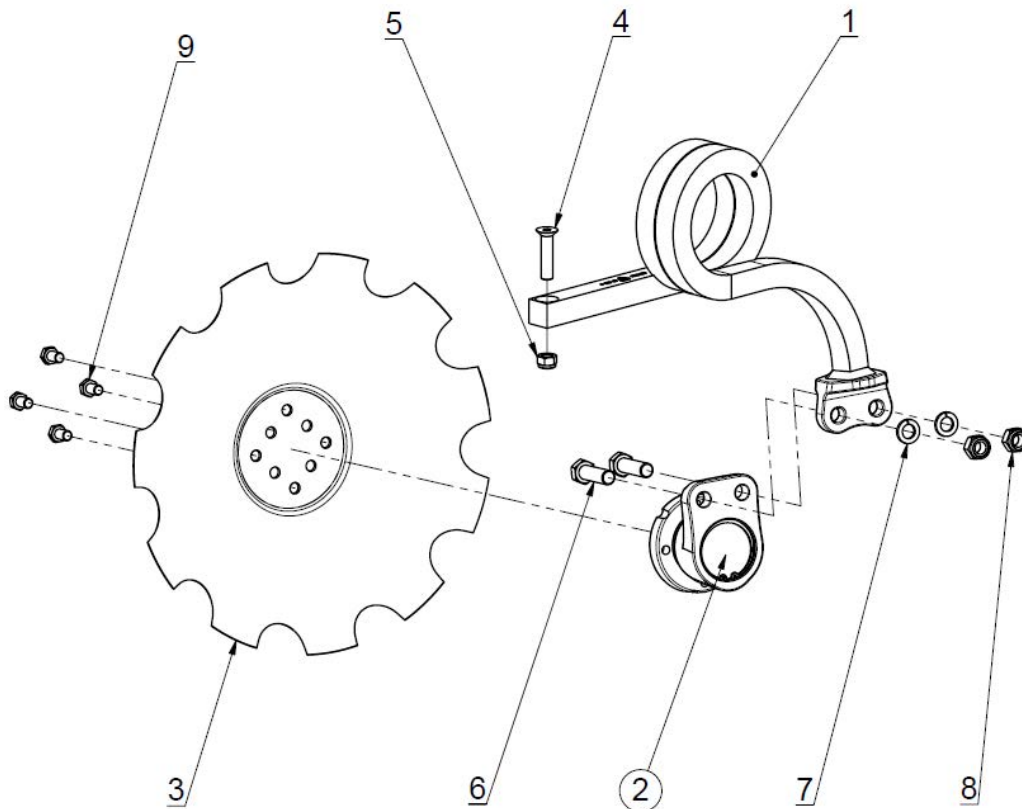
Type of part	Code	Description
Connector board	DOM15-03-001	Connector board QDC square 30 - 100 beam
Mounted discs	TCS -DIS-508	ø460 mm crenellated disc
	TCS -DIS-536	ø510 mm crenellated disc
Orientating wedge kit	B2-C-18980	Orientating wedge with its bolting

<b>Equipped machines</b>	Ecodisc - DOM 30 - DOM30 Frontal - Front Best
--------------------------	---

## 35 long SR 610 front 3D kit

« CD35L-SC611-00 »

Launching date: December 2009



Rep	Reference	Description	Qty	Weight
	<b>CD35L-SC611-00</b>	<b>Kit 3D QDC 35 Long SR hub 610 front</b>	<b>1</b>	<b>37,42 kg</b>
1	TCS-SR35-511	S35 3D Security Front with 2 x $\phi 20$ to 60	1	18,39
2	ESS-568	Hub Culture moulded 2 x $\phi 20$ to 60	1	6,62
3	TCS-DIS-503	$\phi 610$ crenellated disc with flat bottom with 4 x 14/ $\phi 80$ and 4 x 14/ $\phi 110$	1	11,32
4	VFHC16-070-109	FHc screw - M16 x 70 -10.9 - yellow zinc-plated	1	0,12
5	EN16	Nylstop M16 nut - 8.8 - yellow zinc-plated	1	0,04
6	VPFH20-070	H screws - M20 x 70 - 8.8 - white zinc-plated	2	0,25
7	RE20	$\phi 20$ elastic washers - yellow zinc-plated	2	0,02
8	EPFN20	Nylstop M20 nuts - 8.8 - white zinc-plated	2	0,08
9	VH14-025-FT	H screws - M14 x 25 - 8.8 - yellow zinc-plated	4	0,06

## Compatible parts

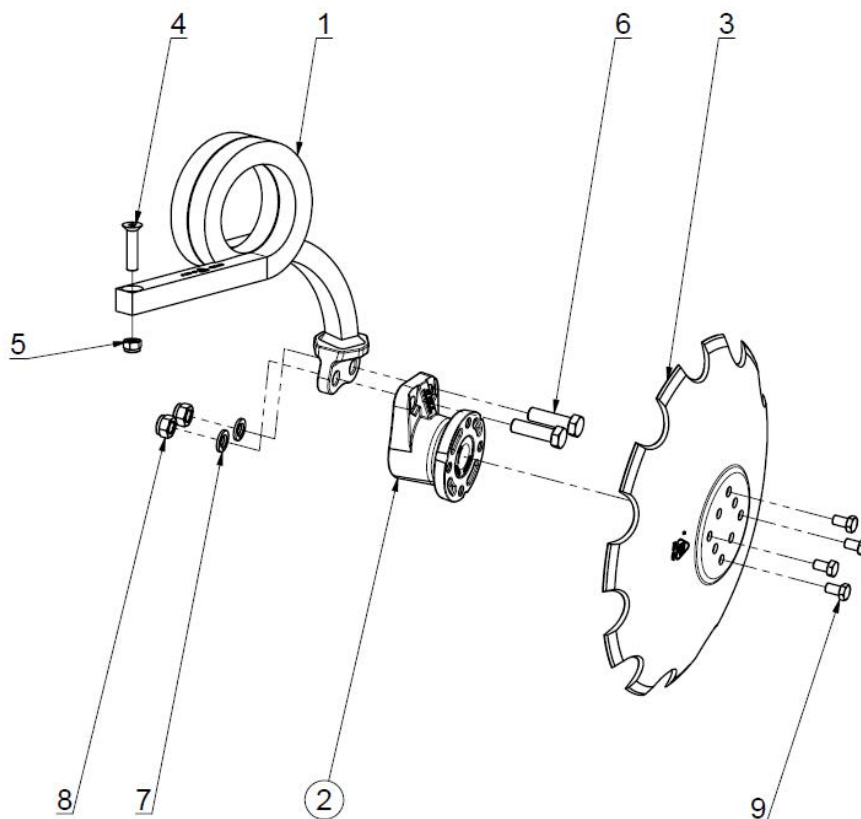
Type of part	Code	Description
Connector board	DOM8-03-053	Standard connector board kit QDC square 35 - 120 beam
	DOM8-03-052	Large connector board kit QDC square 35 - 120 beam
Mouted discs	TCS -DIS-536	$\phi 510$ mm crenellated disc
	TCS -DIS-537	$\phi 560$ mm crenellated disc
	TCS -DIS-503	$\phi 610$ mm crenellated disc
Orientating wedge kit	B2-C-20980	Orientating wedge with its bolting

<b>Equipped machines</b>	Disc 0 Mulch - Disc 0 Sem
--------------------------	---------------------------

35 long SR 560 rear 3D kit

« CD35L-SC562-00 »

Launching date: July 2007



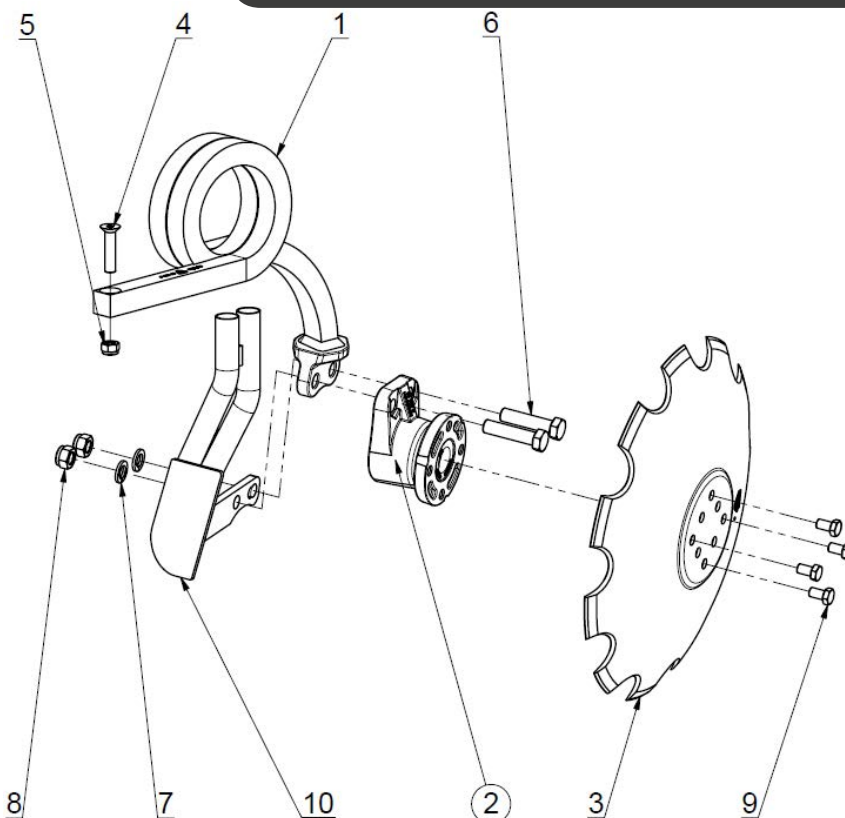
Rep	Reference	Description	Qty	Weight
	<b>CD35L-SC562-00</b>	<b>Kit 3D QDC 35 Long SR hub 610 front</b>	<b>1</b>	<b>34,44 kg</b>
1	TCS-SR35-512	S35 3D Security Front with 2 x ø20 to 60	1	18,39
2	ESS-568	Hub Culture moulded 2 x ø20 to 60	1	6,62
3	TCS-DIS-537	ø610 crenellated disc with flat bottom with 4 x 14/ø80 and 4 x 14/ø110	1	7,93
4	VFHC16-070-109	FHc screw - M16 x 70 -10.9 - yellow zinc-plated	1	0,12
5	EN16	Nylstop M16 nut - 8.8 - yellow zinc-plated	1	0,04
6	VPFH20-070	H screws - M20 x 70 - 8.8 - white zinc-plated	2	0,25
7	RE20	ø20 elastic washers - yellow zinc-plated	2	0,02
8	EPFN20	Nylstop M20 nuts - 8.8 - white zinc-plated	2	0,08
9	VH14-025-FT	H screws - M14 x 25 - 8.8 - yellow zinc-plated	4	0,06

Compatible parts

Type of part	Code	Description
Kit platine	DOM8-03-053	Standard connector board kit QDC square 35 - 120 beam
	DOM8-03-052	Large connector board kit QDC square 35 - 120 beam
Disques montés	TCS -DIS-536	ø510 mm crenellated disc
	TCS -DIS-537	ø560 mm crenellated disc
	TCS -DIS-503	ø610 mm crenellated disc
Kit câble d'orientation	B2-C-20980	Orientating wedge with its bolting

<b>Equipped machines</b>	Disc 0 Mulch - Disc 0 Sem
--------------------------	---------------------------

**35 long SR 560 3D kit rear + T2 x 35**  
**« CD35L-SC562-02 »**  
 Launching date: August 2008



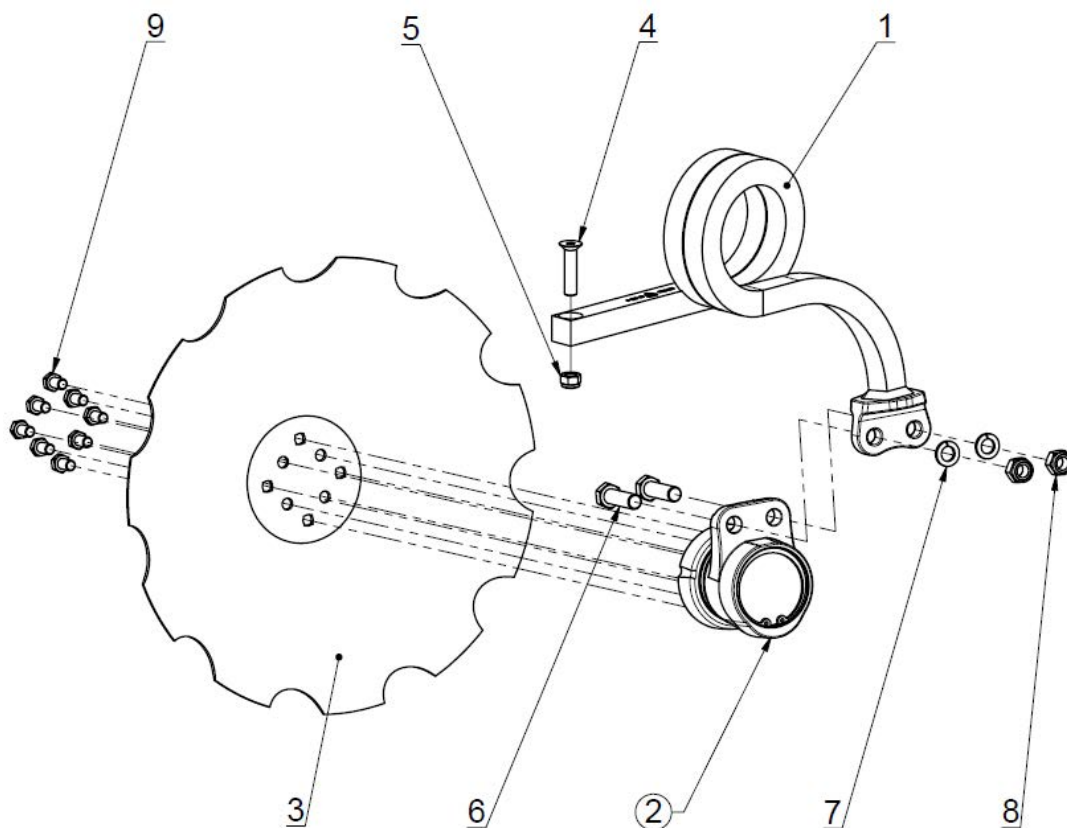
Rep	Reference	Description	Qty	Weight
	<b>CD35L-SC562-02</b>	<b>QDC35 3D kit long hub SR 560 rear + seeding system</b>	<b>1</b>	<b>37,35 kg</b>
1	TCS-SR35-512	S35 3D Security rear with 2 x ø20 to 60	1	18,39
2	ESS-568	Moulded culture hub 2 x ø20 to 60	1	6,62
3	TCS-DIS-537	ø560 crenellated disc - 8 holes	1	7,93
4	VFHC16-070-109	Screw FHC - M16 x 70 -10.9 - yellow zinc-plated	1	0,12
5	EN16	Nut Nylstop M16 - 8.8 - yellow zinc-plated	1	0,04
6	VPPH20-090	Screw H - M20 x 90 - 8.8 - white zinc-plated	2	0,31
7	RE20	Elastic washer ø20 - yellow zinc-plated	2	0,02
8	EPFN20	Nut Nylstop M20 - 8.8 - white zinc-plated	2	0,08
9	VH14-025-FT	Screw H - M14 x 25 - 8.8 - yellow zinc-plated	4	0,06
10	DOM8-13-532	Individual seeding system 2 x ø35 (fixing 2 x ø20 à 60)	1	2,84

Compatible parts

Type of part	Code	Description
Connector board	DOM8-03-053	Standard connector kit QDC square 35 - 120 beam
	DOM8-03-052	Large connector kit QDC square 35 - 120 beam
Mounted discs	TCS -DIS-536	ø510 mm crenellated disc
	TCS -DIS-537	ø560 mm crenellated disc
	TCS -DIS-503	ø610 mm crenellated disc
Orientating wedge kit	B2-C-20980	Orientating wedge kit with its bolting

<b>Equipped machines</b>	Disc O Mulch - Disc O Sem
--------------------------	---------------------------

**35 long SRE 610 3D kit front**  
 « CD35L-S611-00 »  
 Launching date: June 2008



Rep	Reference	Description	Qty	Weight
	<b>CD35L-S611-00</b>	<b>QDC 35 3D kit long hub SRE 610 front</b>	<b>1</b>	<b>41,27 kg</b>
1	TCS-SR35-511	S35 3D Security front with 2 x ø20 to 60	1	18,39
2	ESS-575	SUPER hub 2 x ø20	1	10,24
3	TCS-DIS-503	ø610 crenellated disc with flat bottom with 4 x 14/ø80 and 4 x 14/ø110	1	11,32
4	VFHC16-070-109	Screw FHC - M16 x 70 -10.9 - white zinc-plated	1	0,12
5	EN16	Nut Nylstop M16 - 8.8 - white zinc-plated	1	0,04
6	VPFH20-070	Screw H - M20 x 70 - 8.8 - white zinc-plated	2	0,25
7	RE20	E ø20 eastic washers - white zinc-plated	2	0,02
8	EPFN20	Nylstop M20 nuts - 8.8 - white zinc-plated	2	0,08
9	VH14-025-FT	H screws - M14 x 25 - 8.8 - white zinc-plated	8	0,06

Compatible parts

Type of part	Code	Description
Connector board	DOM8-03-053	Standard connector kit QDC square 35 - 120 beam
	DOM8-03-052	Large connector kit QDC square 35 - 120 beam
Mounted discs	TCS -DIS-536	ø510 mm crenellated disc
	TCS -DIS-537	ø560 mm crenellated disc
	TCS -DIS-503	ø610 mm crenellated disc
Orientating wedge kit	B2-C-20980	Orientating wedge kit with its bolting

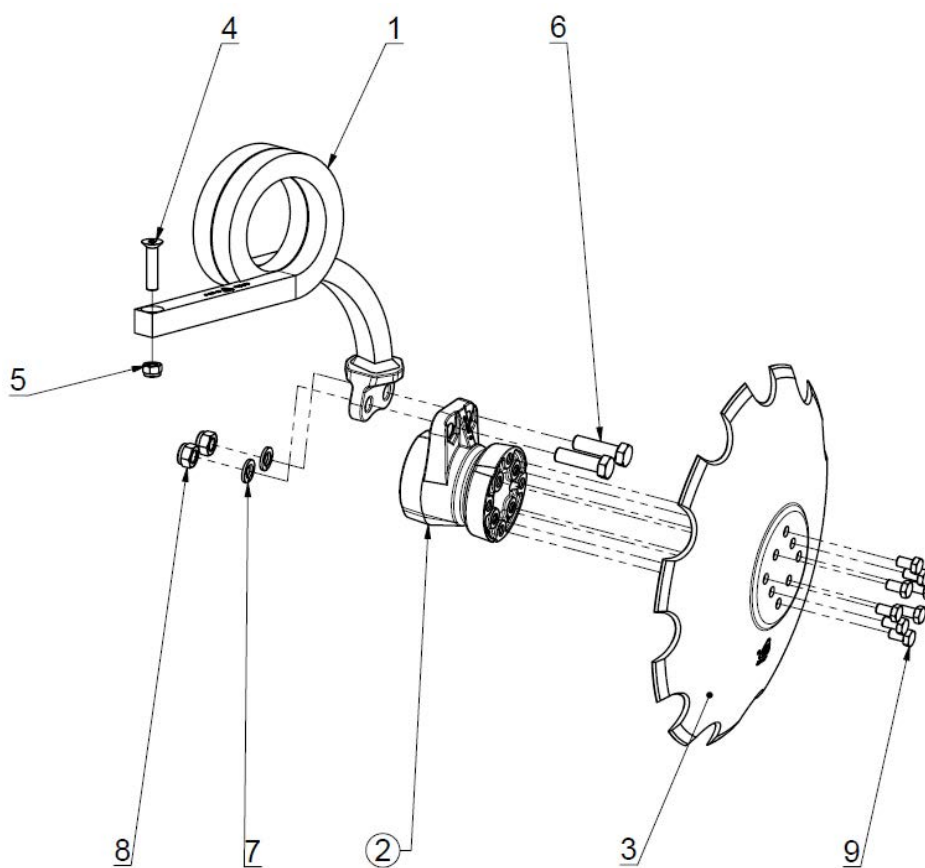
<b>Equipped machines</b>	Disc 0 Mulch - Disc 0 Sem
--------------------------	---------------------------



## 35 long SRE 560 3D kit rear

« CD35L-S562-00 »

Launching date: November 2007



Rep	Reference	Description	Qty	Weight
	<b>CD35L-S562-00</b>	<b>QDC 35 3D kit long hub SRE560 rear</b>	<b>1</b>	<b>38,69 kg</b>
1	TCS-SR35-512	S35 3D Security rear with 2 x $\varnothing 20$ to 60	1	18,39
2	ESS-575	SUPER hub 2 x $\varnothing 20$	1	10,24
3	TCS-DIS-537	$\varnothing 560$ crenellated disc - 8 holes	1	7,93
4	VFHC16-070-109	Screw FHC - M16 x 70 - 10.9 - white zinc-plated	1	0,12
5	EN16	Nylstop M16 nut - 8.8 - white zinc-plated	1	0,04
6	VPFH20-070	H screws - M20 x 70 - 8.8 - white zinc-plated	2	0,25
7	RE20	$\varnothing 20$ elastic washers - white zinc-plated	2	0,02
8	EPFN20	Nylstop M20 nuts - 8.8 - white zinc-plated	2	0,08
9	VH14-025-FT	H screws - M14 x 25 - 8.8 - white zinc-plated	8	0,06

## Compatible parts

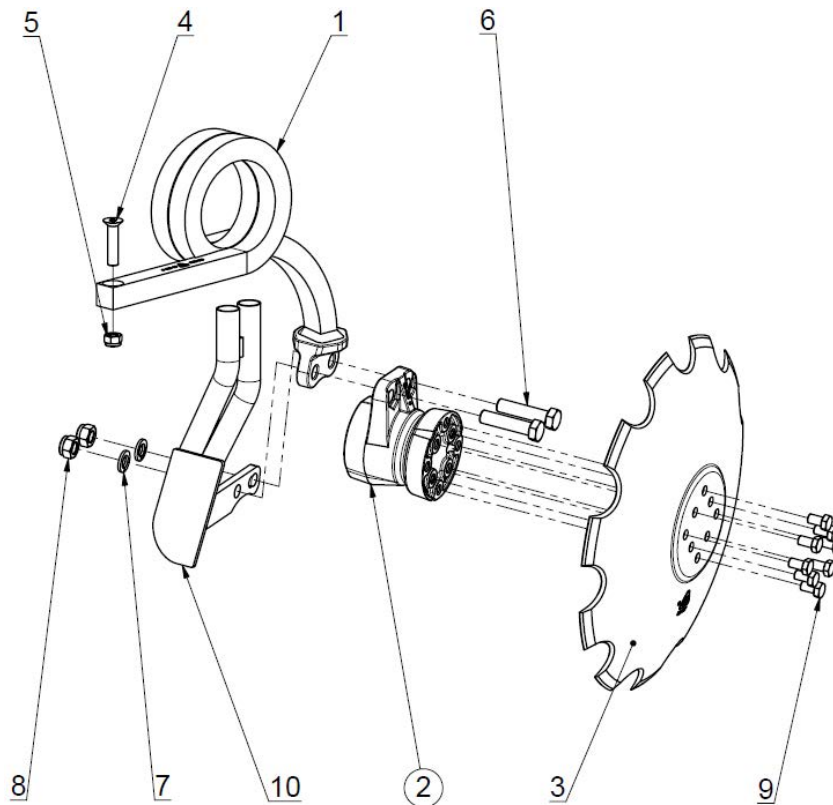
Type of part	Code	Description
Connector board	DOM8-03-053	Standard connector board QDC square 35 - 120 beam
	DOM8-03-052	Large connector board QDC square 35 - 120 beam
Mounted discs	TCS -DIS-536	$\varnothing 510$ mm crenellated disc
	TCS -DIS-537	$\varnothing 560$ mm crenellated disc
	TCS -DIS-503	$\varnothing 610$ mm crenellated disc
Orientating wedge kit	B2-C-20980	Orientating wedge with its bolting

<b>Equipped machines</b>	Disc 0 Mulch - Disc 0 Sem
--------------------------	---------------------------

35 long SRE 560 3D kit rear + T2 x 35

« CD35L-S562-02 »

Launching date: August 2008



Rep	Reference	Description	Qty	Weight
	<b>CD35L-S562-02</b>	<b>QDC35 3D kit long hub SRE 560 rear + seeding system</b>	<b>1</b>	<b>41,59 kg</b>
1	TCS-SR35-512	S35 rear 3D Security with 2 x ø20 to 60	1	18,39
2	ESS-575	SUPER hub 2 x ø20	1	10,24
3	TCS-DIS-537	ø560 crenellaed disc - 8 holes	1	7,93
4	VFHC16-070-109	FHC screw - M16 x 70 - 10.9 - white zinc-plated	1	0,12
5	EN16	Nylstop M16 nut - 8.8 - white zinc-plated	1	0,04
6	VPFH20-90	H screws - M20 x 90 - 8.8 - white zinc-plated	2	0,31
7	RE20	ø20 elastic washers - white zinc-plated	2	0,02
8	EPFN20	Nylstop M20 nuts - 8.8 - white zinc-plated	2	0,08
9	VH14-025-FT	H screws - M14 x 25 - 8.8 - white zinc-plated	8	0,06
10	DOM8-13-532	Individual seeding system 2 x ø35 (fixation 2 x ø20 to 60)	1	2,84

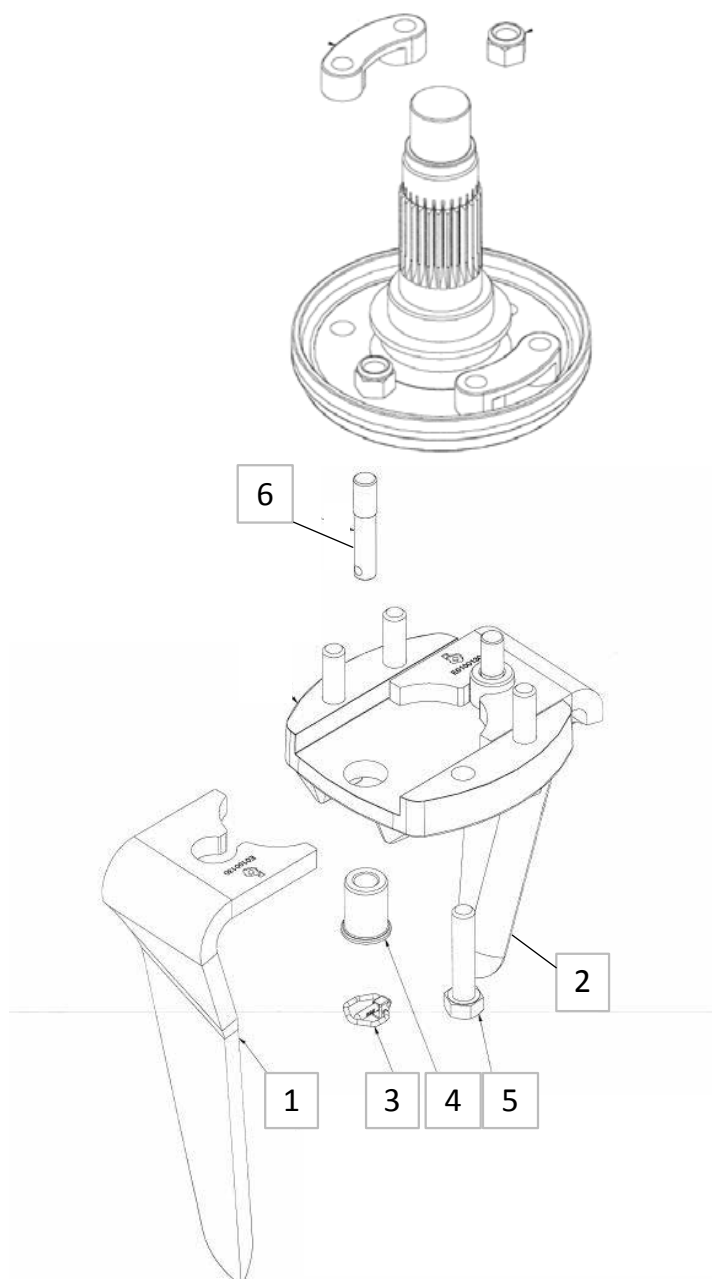
Compatible parts

Type of part	Code	Description
Connector board	DOM8-03-053	Kit platine standard QDC carré 35 poutre de 120
	DOM8-03-052	Kit platine large QDC carré 35 poutre de 120
Mounted discs	TCS -DIS-536	ø510 mm crenellated disc
	TCS -DIS-537	ø560 mm crenellated disc
	TCS -DIS-503	ø610 mm crenellated disc
Orientating wedge kit	B2-C-20980	Orientating wedge with its bolting

<b>Equipped machines</b>	Disc 0 Mulch - Disc 0 Sem
--------------------------	---------------------------

## ACTIMULCH Power harrow

Launching date: Août 2014



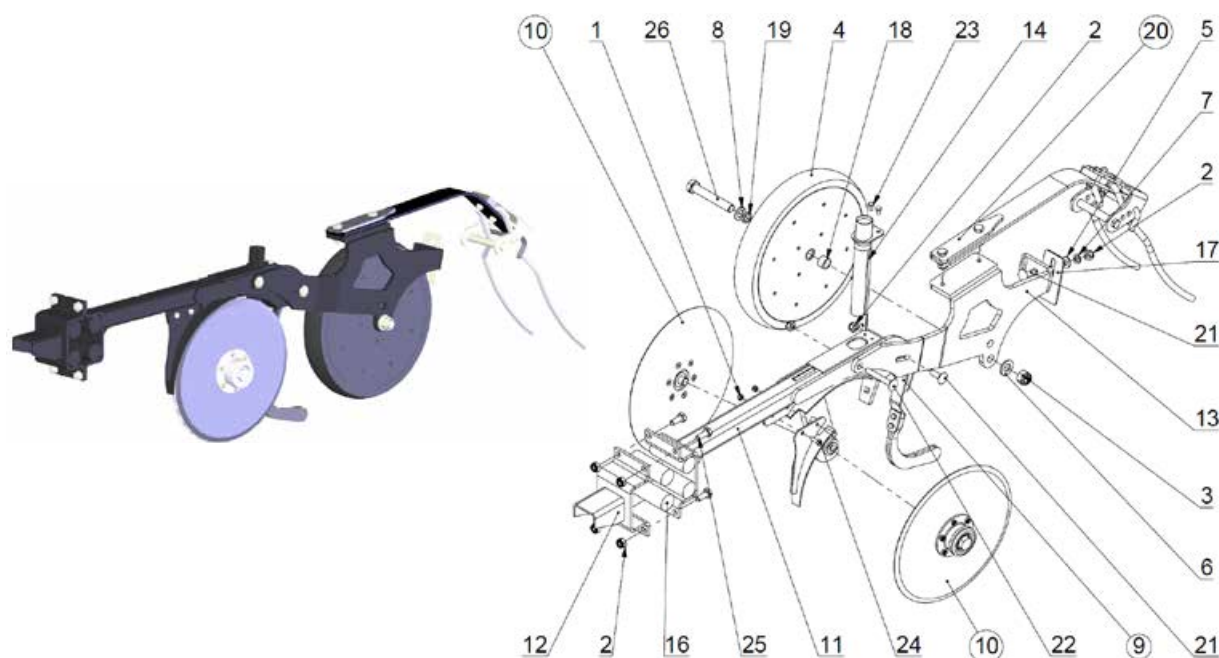
Rep	Reference	Description	Qty	Weight
1	ACT-E0100130	Right hand HR ACTIMULCH tine	1	2,5 Kg
2	ACT-E0100129	Left hand HR ACTIMULCH tine	1	2,5
3	ACT-E0100132	Tine attachment pin	2	0,02
4	ACT-E0100131	Ring lock	2	0,15
5	ACT-E0100133	Screw fixing of tine support	4	0,02
6	ACT-E0100134	Tine lock pin	2	0,4

**Equipped  
machines**

Herse Rotative ACTIMULCH

# Seeding system kit «Minimum tillage»

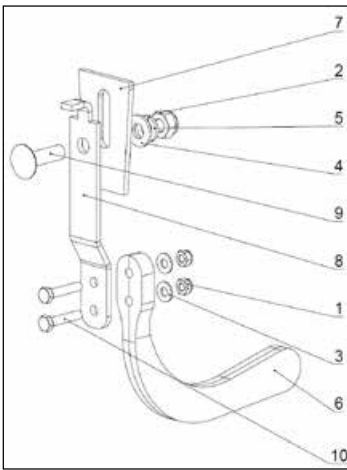
Launching date: February 2013



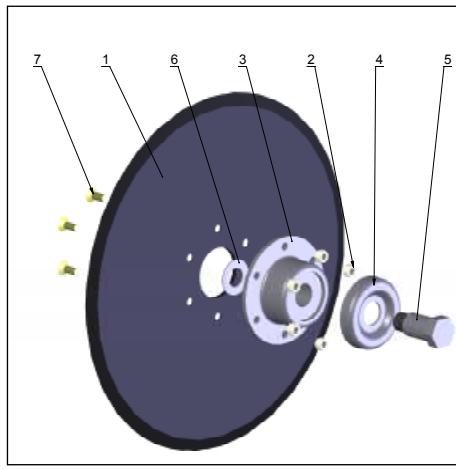
Rep	Reference	Description	Qty	Weight
1	EN16	Nylstop M6 nuts	2	0,01
2	EN10	Nylstop M10 nuts	7	0,01
3	EN16	Nylstop M16 nut	1	0,03
4	KOLO 330x50	Depth control wheels	1	1,9
5	R10M	Ø10 washer	1	0,01
6	R16M	Ø16 washer	1	0,01
7	RE10	Ø10 elastic washer	1	0,03
8	RE16	Ø16 elastic washer	1	0,01
9	SEM26-13-021	Mud scraper kit	1	0,8
10	SEM26-13-022	Seeding disc kits	2	2,73
11	SEM26-13-501	Long arm	1	6,15
12	SEM26-13-503	Short spindle	1	1,34
13	SEM26-13-505	Wheel arm and comb	1	4,12
14	SEM26-13-507	Seeding distribution	1	0,47
15	SEM26-13-508	Disc mud scraper	1	0,27
16	SEM26-13-602	Ø35x90 polymer absorbers	4	0,09
17	SEM26-13-604	Depth control wheel mud scraper	1	0,1
18	SEM26-13-605	Large spacer	1	0,1
19	SEM26-13-606	Short spacer	1	0,1
20	SEM26-35-001	<b>Covering-Harrow set</b>	1	3,72
21	VBCC10-030	M10x30 curved square collar screws	2	0,03
22	VBCC10-070	M10x70 curved square collar screw	1	0,04
23	VH6-010-FT	H screws - M6x10 - 8,8	2	0,01
24	VH6-020-FT	H screws - M6x20 - 8,8	2	0,01
25	VH10-025-FT	H screws - M10x25 - 8,8	4	0,02
26	VH16-100	H screw - M16x100 - 8,8	1	0,1

## Equipped machines

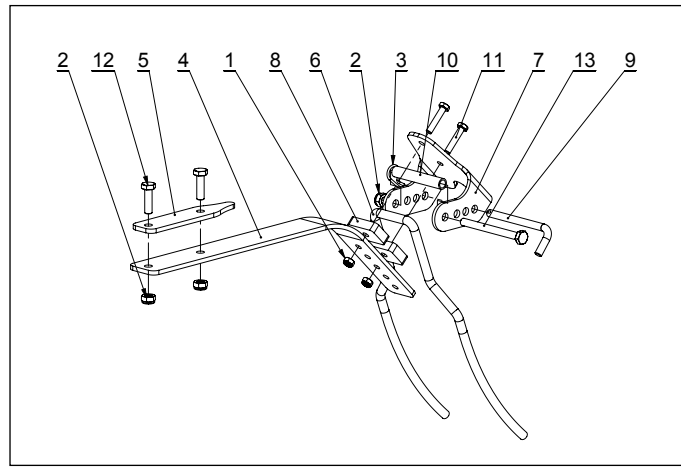
DOS GOLD - Seeding ramp / DOS SILVER T / DOS SILVER PMA et PMD



Disc mud scraper kit



Disc kit



Covering-Harrow set

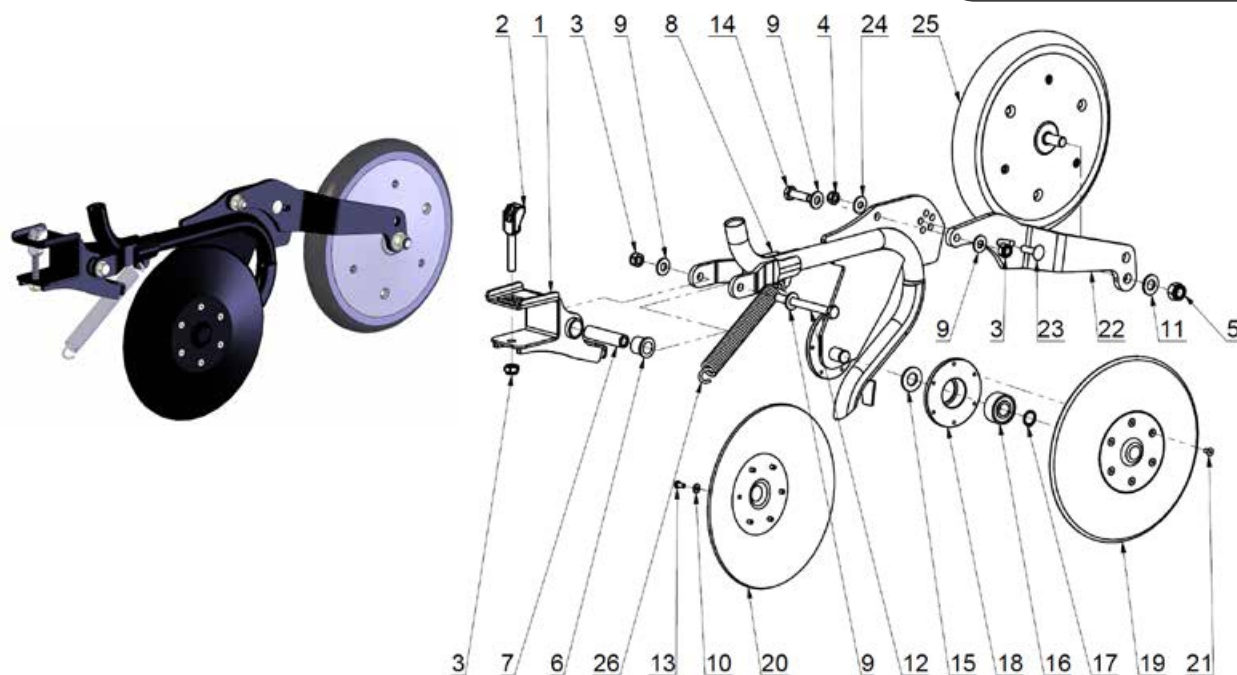
Rep	Reference	Description	Qty	Weight
	<b>SEM26-13-021</b>	<b>Disc mud scraper kit</b>		<b>2</b>
1	EN6	Nylstop M6 nut	1	0,01
2	EN10	Nylstop M10 nuts	2	0,01
3	R6M	Ø6 washer	1	0,01
4	R10M	Ø10 washer	1	0,01
5	RE10	Ø10 elastic washer	1	0,01
6	SEM23-13-647	Anti-bounce	1	0,5
7	SEM26-13-611	Mud scraper	1	0,1
8	SEM26-13-612	Strip support	1	0,1
9	VBCC10-035	M10x35 curved square collar screw	1	0,03
10	VH6-030	H screws - M6x30 - 8,8	2	0,001

	<b>SEM26-13-022</b>	<b>Disc kit</b>		
1	DIS-560	Ø350x3 flat disc with 6 holes	1	2
2	EN6	Nylstop M6 nuts	6	0,01
3	SEM26-13-607	Complete hub	1	0,5
4	SEM26-13-608	Hub cap	1	0,1
5	SEM26-13-609	Shoulder screw	1	0,1
6	SEM26-13-613	Back washer	1	0,01
7	VFHC6-016-FT	FHC screws - M6x16	6	0,05

	<b>SEM26-13-001</b>	<b>Covering-Harrow set</b>		
1	EN8	Nut nylstop Ø8	2	0,01
2	EN10	Nut nylstop Ø10	3	0,01
3	GB3-10-18	Pin beta - Ø3x10-18	1	0,01
4	SEM26-35-601	Harrow arm	1	1,3
5	SEM26-35-602	Support plate Distribution of harrow	1	0,3
6	SEM26-35-603	Covering harrow	1	0,7
7	SEM26-35-604	Tube of adjustment of height of harrow	1	0,7
8	SEM26-35-605	Wedge for positioning harrow	2	0,2
9	SEM26-35-606	Down stop	1	0,1
10	SEM26-35-607	Brace stop	2	0,06
11	VH8-040	Screw H - M8x40 - 8,8	2	0,02
12	VH10-035-FT	Screw H - M10x35 - 8,8	1	0,03
13	VH10-110	Screw H - M10x110 - 8,8	1	0,08

# Seeding system kit «Standard tillage»

Launching date: February 2013

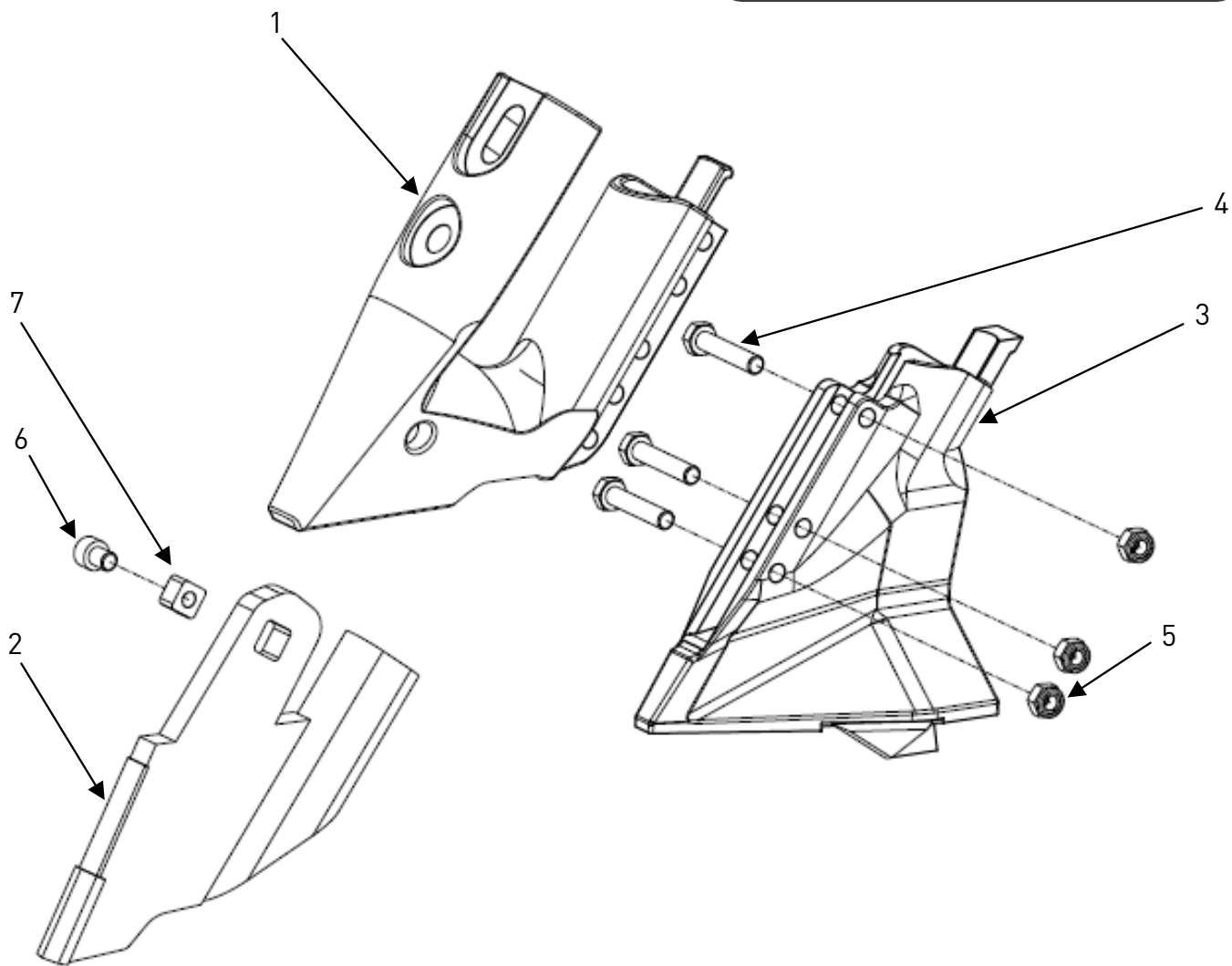


Rep	Reference	Description	Qty	Weight
1	SEM31-13-501	Fixing seeding system flange	1	1,4 Kg
2	SEM31-13-601	Flange locking	1	0,2
3	EN12	Nylstop M12 nut	3	0,02
4	EN10	Nylstop M10 nut	1	0,01
5	EN16	Nylstop M16 nut	1	0,03
6	SEM31-13-602	Wearing ring	2	0,01
7	SEM31-13-603	Swivel tube	1	0,1
8	SEM31-13-502	Short seeding system	1	4,3
9	R12M	Ø12 washer	4	0,01
10	R6M	Ø6 washer	6	0,01
11	R16M	Ø16 washer	1	0,01
12	VH12-120	H screw - M12x120 - 8,8	1	0,2
13	VH6-012-FT	H screw - M6x12 - 8,8	6	0,01
14	VH12-040-FT	H screw - M12x40 - 8,8	1	0,05
15	SEM31-13-606	Rolling washer	2	0,01
16	ROUL-530	3204 2RS ball bearing	2	0,2
17	CE20-1,6	Outside circlips Ø20 x 1,6	2	0,01
18	SEM31-13-606	Disc hub	2	0,5
19	DIS-558	Ø300 disc for seeding system	1	2,2
20	DIS-559	Ø295 disc for seeding system	1	2,2
21	VFHC6-012-FT	FHC screw - M6x12 - 8,8	6	0,01
22	SEM31-13-604	Adjustable support for the pressing wheels	1	1,6
23	VBCC10-035	M10x35 curved square collar screw	1	0,03
24	R10L	Ø10 large flat washer	1	0,01
25	FOCUS-29-02-000	Depth control wheel	1	2,4
26	RES-629	Ø4,5 spring - Ø28 - 222	1	0,4

<b>Equipped machines</b>	DOS GOLD - Seeding ramp
--------------------------	-------------------------



**TRI-O-SEM Share**  
 Launching date: February 2011



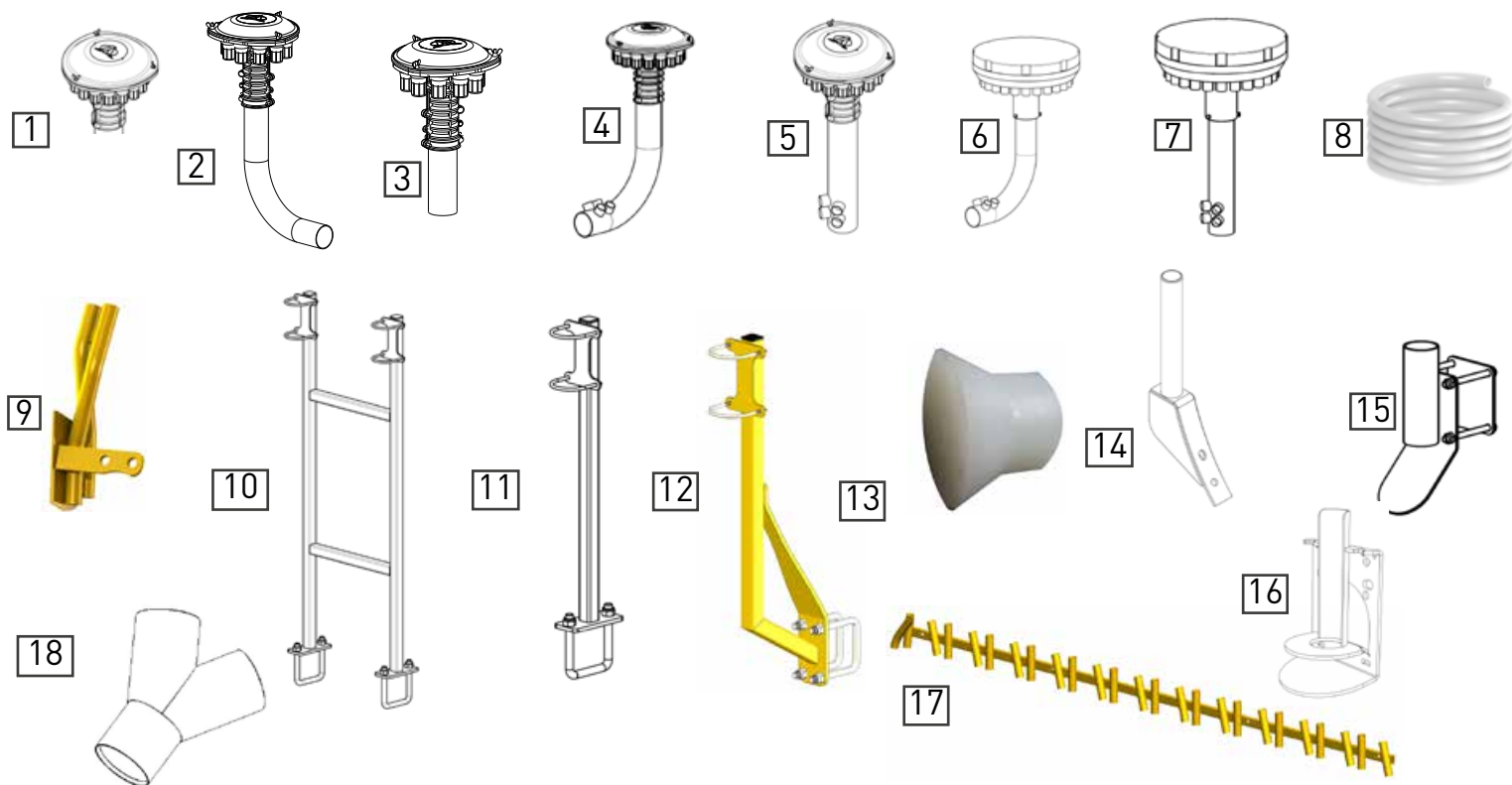
Rep	Reference	Description	Qty	Weight
	<b>AGM06-13-001</b>	<b>Complete burying system kit</b>	<b>1</b>	<b>7,45 Kg</b>
1	AGM06-13-601	Share carrier	1	3
2	AGM06-13-602	Point with seeding distributor for fertilizer	1	1,2
3	AGM06-13-603	Double output for seeding	1	3,18
4	VH08-040	H screw M8 X 40	3	0,01
5	EN08	Nylstop nut M08	3	0,01
6	VCHC8-10-FT	CHC screw M8 X 10	1	0,01
7	AGM06-13-604	Square nut	1	0,01

Compatible parts

Type of part	Code	Description
Interface	AGM06-13-620	Fixation Share seeder
Central support	TOS02-13-601	Seeding ploughshare central support for 35 3D Security
Side support	TOS02-13-602	Seeding ploughshare side support for 35 3D Security
Adaptor	AGM06-13-610	Stainless steel adaptor for distributor pipe

<b>Equipped machine</b>	TRI-O-SEM
-------------------------	-----------

SEEDER accessories



Rep	Description	Code	Weight
1	Ø70 mm repartition head - 10 outputs - without duct	SEM01-30-121	2 Kg
2	Ø70 mm repartition head kit - 10 outputs - elbow shaped duct	SEM01-30-112	2,24
3	Ø70 mm repartition head kit - 10 sorties - sraight duct	SEM01-30-113	1,29
4	Ø90 mm repartition head kit - 16 outputs - elbow shaped duct	SEM01-30-050	4,4
5	Ø90 mm repartition head kit - 16 sorties - sraight duct	SEM01-30-090	3,5
6	Ø90 mm repartition head kit - 24 sorties - elbow shaped duct	SEM01-30-080	13,2
7	Ø90 mm repartition head kit - 24 sorties - straight duct	SEM01-30-092	10,6
8	25m roller of reinforces pipe - Ø35 mm inside	TUSR-35-25M	13
	Ø70 mm spiraled pipe inside (price per metre)	TUS-70	-
	Ø90 mm spiraled pipe inside (price per metre)	TUSR-90	-
9	2 X Ø 35mm individual seeding system for DISC-O-MULCH	DOM8-13-532	3
10	Support kit - double repartition head for 120 X 120 frame	DOM8-19-022	23
11	Support kit - repartition head for 120 X 120 frame	DOM8-19-021	7
12	Support kit - repartition head for 100 X 100 frame	DOM31-19-001	9
13	Cap for 10 outputs repartition head and 16 outputs	SEM01-30-710	0,03
	Cap for 24 output repartition head	SEM01-30-626	0,04
14	Seeding system for VIBROMULCH	AGM09-13-502	2
15	Bursting kit with 4 screws and against fixing board for DSF ramp	SEM20-13-005	1
16	Burster for seeder DS200 - DS500	04000-2-103	0,5
17	Seeding ramp for DISC-O-MULCH 3m fix - 12 outputs	DOM8-13-508	11
	Seeding ramp for DISC-O-MULCH 3,5m fix - 14 outputs	DOM8-13-526	13
	Seeding ramp for DISC-O-MULCH 4m fix - 16 outputs	DOM8-13-517	15
	Seeding ramp for DISC-O-MULCH 4m foldable - 16 outputs	-	
	Seeding ramp for DISC-O-MULCH 4,5m foldable - 18 outputs	-	
	Seeding ramp for DISC-O-MULCH 5m foldable - 20 outputs	-	
	Seeding ramp for DISC-O-MULCH 6m foldable - 24 outputs	-	
18	«Y» Connection with 3 outputs Ø 90mm	SEM01-30-534	2,1

## ROLLER accessories



**When you order a roller kit, please indicate the machine's serial number on the order form on which it is supposed to be mentioned**

The roller kits can only be mounted on the following machines:

- Disc-O-Mulch SILVER rigid and foldable
- Disc-O-Mulch GOLD rigid and foldable mounted
- Maximulch Series 3 mounted
- Vibromulch rigid and foldable

For the indicated price, the roller kit includes:

- The roller arm
- The roller's flange plates
- The roller's side bearing
- The roller

		Rigid models			Folding models			
Roller kit		3m	3,5m	4m	4 m	4,5m	5m	6m
	Cage Ø526	2 729 €	2 937€	3 499 €	4 038 €	4 084 €	4 822 €	5 421 €
	Flexi - Roll with pad kit	4 259 €	4 767 €	5 618 €	6 756 €	6 887 €	7 711 €	8 511 €
	T-Sem with mud scraper	4 729 €	5 270 €	6 260 €	7 120 €	7 390 €	8 342 €	9 399 €
	V-Sem with pad kit	4 954 €	5 591 €	6 570 €	7 987 €	8 032 €	9 027 €	9 902 €
	Agrix with mud scraper	5 629 €	6 404 €	7 501 €	9 185 €	9 401 €	10 300 €	11 250 €
	Flexi-Sem +	5 864 €	6 608 €	7 683 €	9 014 €	9 594 €	10 846 €	11 721 €

# SPARE PARTS PRICE LIST - 2016 -

Code	Description	Unit Price E	Code	Description	Unit Price E
00410-2-084	Radar + cable	899,00	15-ET-001	Sticker kit for Cultiplow 15	35,30
005380	Spoked wheel	95,00	16-080	Ø16x80 hitching pin	6,40
00650900	Ring hitch ball	983,00	16-098	Ø16x98 hitching pin	7,50
00M4429	Engine joint 14cm3	66,00	16303	Hydraulic motor 11cm3	2 633,00
04000-2-103	Burster DS 200-500	39,60	173	Flat washer 21x36x3	5,40
07060-121	Fixing batten straightener pinion	12,80	19.035	Hitch pin ø x 35	21,40
10-037	Axle ø10x037	19,30	19-076	Axle Ø 19 x 076	9,60
10-047	Axle ø 10x047	20,30	19-127	Axle ø 19 x 127	13,90
1005M17	Grain pan	34,20	200314	Speed limit disc 25km/h	8,60
100913	Left lantern	47,00	22-078	Hitch pin ø22 x 115	15,00
100915	Right lantern	47,00	22-095	Pin ø22 x 95	31,00
101.302112	Straight share	15,00	22-115	Hitch pin ø22 x 078	20,30
101.310721	Big tine for Vibromulch (height: 730mm)	98,00	22876	Crary turbine with hydraulic engine without hose	3 998,00
101.IND-590	Sweep share Vibromulch	17,10	22876SM	Crary turbine 6" without engine (turbine crary 6" sans moteur)	837,00
10-105P	Pin ø10x105	22,50	24-05-001	Wheel kit ECOFLOW U	1 461,00
12-03-105	Ø14 mm special shear bolt, unit price	3,90	24-05-501	Wheel kit support Ecoplow U left side	276,00
12-03-155	Ø14mm special shear bolt, unit price - box of 50	194,00	24-05-502	Wheel kit arm Ecoplow U	450,00
12-04-405	Ø14mm attachment bolt for ploughshare	7,10	24-05-503	Wheel kit support Ecoplow right side	276,00
12-04-406	Ø8mm attachment bolt for Agrisem Leading edge	1,20	24-07-001	Stand kit ECOFLOW U	224,00
12-12-501	Blade swivel bush	30,00	24-07-501	Fixing stand	85,00
12-ET-001	Sticker kit Cultiplow 12	35,30	24-07-502	Stand	141,00
15-03-205	Ø16mm special shear bolt, unit price	4,10	24-ET-001	Sticker kit Ecoplow U	35,30
15-03-255	Ø16mm special shear bolt, unit price - box of 50	170,00	25-075	Axle 25-075	17,10
15-04-405	Ø16mm attachment bolt for ploughshare	9,40	25-079	Axle ø25 x 79	19,30
15-04-406	Ø10mm attachment bolt for Agrisem Leading edge	1,10	25-095	Hitch pin ø 25 x 095	21,40
15-05-211	Roller crank	372,00	25-105	Axle ø 25 x 105 Cat. 2	22,50
15-05-216	Roller crank of pivot bush	20,30	25-105PB	Axle ø25 x 105 with abutment	31,00
15-05-220	Grip adjusting roller	66,00	25-115PB	Hitch pin ø 25 x 125 with abutment	33,20
15-05-661	Roller fixation	64,00	25-120	Axle ø 25 x120	24,60
15-06-002	Ø400 roller cage kit - 1.25m - arms and frame	1 819,00	25-142	Axle ø 25 x 142	30,00
15-06-003	Ø400 roller cage kit - 1.55m - arms and frame	2 257,00	25-160PB	Axle Ø25 x 160 with abutment	36,40
15-06-004	Ø400 roller cage kit - 1.75m - arms and frame	2 352,00	25-175P	Axle ø 25 x 175 with handle	37,50
15-07-501	Left-hand stand	111,00	25-240P	Axle Ø25 x 240 with handle	48,00
15-07-502	Right-hand stand	111,00	2569	Connection 1/4" gas	16,10
15-12-501	Socket bush for blade	23,90	2670505	Rope 5mm in PPM; lg=3000mm	43,00

Code	Description	Unit Price E	Code	Description	Unit Price E
27-ET-001	Sticker kit Cultiplow27	35,30	32-04-423	Twinplow F1 winged ploughshare - Left	265,00
28-03-330	Blade support kit left	849,00	32-04-424	Twinplow F1 winged ploughshare - Right	265,00
28-03-340	Blade support kit right	849,00	32-06-004	Ø526 roller cage kit - 4.00m - 32S - arms and frame	6 614,00
28-03-500	Security support	990,00	32-075	Axle ø32 x 75	30,00
28-03-510	Blade's arm axle (AAR-40-205)	60,00	32-07-501	Stands (béquille)	91,00
28-03-600	Blade's arm	1 302,00	32-079	Axle ø32 x 79	31,00
28-120P	Axle Ø28 x120	32,10	32-090	Axle ø32 x 090 Cat 3	34,20
28-130	Hitch ø28 x130 pin	32,10	32-09-501	Extension right blade 0.5m	721,00
28-140PB	Hitch pin ø28 x 140 with abutment	41,70	32-09-502	Extension left blade 0.5m	721,00
28-140PE	Hitch pin with pin ø 28 x 140 PE	38,50	32-105	Axle ø32 x 105	36,40
28-150PB	Hitch pin ø28 x 150 with abutment	43,00	32-110PB	Hitch pin ø32 x 110 with abutment	45,00
28-160	Axle Ø28 x 160	18,20	32-115PB	Hitch pin ø32 x 115 with abutment	46,00
28-180P	Hitch pin ø28 x 180	49,00	32-12-001	Kit 3 axles for coupling, tractor side cat III	171,00
2AMF4L69P89-0	Hydraulic engine GRH (Moteur hydraulique)	325,00	32-12-002	Kit 3 axles for coupling, tractor side cat II	101,00
30.009	TFCC screw 10x60	1,30	32-125	Axle ø32 x 125	46,00
30.019	TFCC screw 10x70	1,50	32-125PB	Hitch pin ø32 x 125	48,00
300504	Locking bush yellow	7,50	32-135	Axle ø32x135 cat 3	38,50
300505	Locking bush green	7,50	32-160PB	Hitch pin ø32x160	50,00
300508	Female connector 5 treads	2,10	32-240	Axle ø32 x 240 cat 3	44,00
300665	Box connection 6 treads	48,00	3241006000	Cap M86.5x1.5	16,10
30-145P	Axle Ø30 x 145 with handle	44,00	3302006000	Nut M36x2	10,70
3-047-039	Anti-return valve 0.35 B RV 12A	38,50	3392029000	Metallic joint 32209	48,00
31-06-600	Frame roller yoke	383,00	3513009000	Flat washer 36x70 5	4,30
31-ET-002	Sticker kit for Ecoplow-c	35,30	353-4002-780	Bearing with conical rollers 32209	43,00
32-01-400	Pair of extensions kit, available in 4.00m	1 372,00	36-01-400	Pair of extensions kit 0.5m for 4.00m	1 496,00
32-02-100	Retractable, reinforced 3-point, rear, coupling cat.II	1 193,00	36-01-620	Extension 4m	823,00
32-02-102	Retractable, reinforced 3-point, rear, coupling cat.III 2 and 3	1 286,00	36-02-100	Retractable hitch kit rear cat III	2 962,00
32-02-107	Latching axle	16,10	36-02-101	Hitch arm left	749,00
32-02-108	Right-hand coupling arms (Bras d'attelage droit)	477,00	36-02-102	Hitch arm right	749,00
32-02-109	Left-hand coupling arms (Bras d'attelage gauche)	477,00	36-02-103	Arm 3rd point	660,00
32-02-111	Arm side ring	21,40	36-02-110	Half position ring	24,60
32-02-200	Top link coupling cat N°2	893,00	36-03-303	Ø18mm special shear bolt, unit price	3,50
32-02-501	Right-hand coupling arms Cat 3 (Bras d'attelage droit)	537,00	36-03-305	fixing bolt for blade Ø30	7,60
32-02-502	Left-hand coupling arms Cat 3 (Bras d'attelage gauche)	537,00	36-03-330	Support for blade with safety shear bolt - Left	685,00
32-02-603	Coupling arms cat 3 left	862,00	36-03-340	Support for blade with safety shear bolt - Right	685,00
32-02-604	Coupling arms cat 3 right	862,00	36-03-350	Support blade kit	352,00
32-04-411	Complete Combiplow blade 600 - winged ploughshare - Left	1 037,00	36-04-403	Combiplow F1 standard ploughshare - Left	212,00
32-04-412	Complete Combiplow blade 600 - winged ploughshare - Right	1 037,00	36-04-404	Combiplow F1 standard ploughshare - Right	212,00

Code	Description	Unit Price E	Code	Description	Unit Price E
36-04-405	Ø20x60mm attachment bolt for ploughshare	16,50	40-04-412	Complete right-hand Combiplow blade 20x720 with standard Comb.plough	1 216,00
36-04-406	Leading edge attachment boltØ12x30mm	1,60	40-140	Hitching pin with handle - DOM 8 R	55,00
36-04-408	Leading edge attachment bolt Ø12x25mm	1,50	41-03-301	Blade support arm	1 441,00
36-04-411	Complete Combiplow blade 600 - standard ploughshare - Left	983,00	41-03-303	Frinction ring for lift cylinder	28,40
36-04-412	Complete Combiplow blade 600 - standard ploughshare - Right	983,00	41-03-501	Yoke blade support	685,00
36-05-100	Pair of Ø700 x 220 mm standard wheels with rack and pinion setting	3 173,00	42-03-302	Ø16x90mm special shear bolt, unit price	2,10
36-06-501	Roller arm	617,00	42-04-405	Ø 20x60 mm attachment bolt for F1 and AGRISEM ploughshares	18,80
36-125	Axle Ø36 x 125	26,80	42-04-406	Ø14x30mm attachment bolt for Agrisem Leading edge	2,40
36-140PB	Hitch pin ø36 x 140	61,00	45-04-105	Attachment bolts for discs, unit price	2,20
36-150PB	Hitch pin with abutmnet ø36 x 150 PB	63,00	48-01-100	Pair of extensions for Combiplow	4 971,00
36-160	Axle ø36 x160	30,00	48-01-601	Right-side extension	2 509,00
36-160PB	Hitch pin with abutmnet ø36 x 150 PB	64,00	48-01-602	Left-side extension	2 509,00
36-232P	Hitch pin ø36 x 232	38,50	48-02-001	Retractable, reinforced 3-point, rear, coupling cat.III and II	2 156,00
38-01-100	Extention kit 4.00m ( without blade)	2 502,00	48-02-603	Lateral ring for arm 48	21,40
38-01-601	Left-side extension for Combiplow 38 (extension gauche)	2 344,00	48-02-606	Hitch arm right-side cat 3	858,00
38-01-602	Right-side extension for Combiplow 38 (extension droite)	2 344,00	48-02-607	Hitch arm left-side cat3	858,00
38-02-001	Retractable, reinforced 3-point, rear, coupling cat.II et III	1 525,00	48-02-608	Reinforcement tube	54,00
38-02-501	Fitted arm right-side reinforced	858,00	48-03-001	Block spring thread ø36	1 472,00
38-02-502	Fitted arm left-side reinforced	858,00	48-03-110	Spring safety kit 48	2 375,00
38-02-606	Right-hand hitch arm (Bras d'attelage droit)	669,00	48-03-505	Blade's arm	1 065,00
38-02-607	Left-hand hitch arms cat 3 (Bras d'attelage gauche)	669,00	48-06-003	Ø526 roller cage kit - 3.00m - 38SR /48SR - arms and frame	5 019,00
38-03-001	Spring block thread ø29	586,00	48-06-004	Ø526 roller cage kit - 4.00m - 38SR / 48SR - arms and frame	6 614,00
38-03-002	Blade extension kit	259,00	48-06-501	Roller's arm roller kit	617,00
38-03-110	Spring safety kit 38	1 679,00	48-ET-001	Sticker kit Combiplow 48	35,30
38-03-505	Blade arm for Combiplow 38	817,00	4G0.5	Wire cable PVC - 4 threads x 0.5mm2	5,40
38-03-511	Blade arm axle lg 243	67,00	505016	Bearing with coning roller 30205	30,00
38-03-515	Blade Support (Support de lame soudé pour VSC Ø20)	242,00	505017	Bearing with coning roller 30206	32,10
38-07-501	Stand for Combiplow 38SR	111,00	51-06-005	Ø520 Flexi-Sem roller kit - 2.50m - Culti 51P-52P - arms and frame	5 335,00
40-02-101	Hitch arm left-side	995,00	51-06-006	Ø520 Flexi-Sem roller kit - 3.00m - Culti 51P-52P - arms and frame	7 434,00
40-02-102	Hitch arm right-side	995,00	51-06-007	Ø520 Flexi-Sem roller kit - 4.00m - Culti 51P-52P - arms and frame	9 156,00
40-03-301	Support arm of blade	1 600,00	5141204090	Pointered level	32,10
40-03-302	Shear bolt M12 - Ø15- mm	3,90	52-03-003	Extension kit per blade for a greater under frame clearance	306,00
40-03-304	Right-side ring Ø25 - 13,3 mm	22,50	52-03-115	Spring sécurité 52 kit with support	1 713,00
40-03-305	Left-side ring Ø 25 - 15,5 mm	10,30	52-03-200	Extension kit for blade	314,00
40-03-306	Distance spacer for blade drift	142,00	52-03-509	Axle rod	39,60
40-03-309	Bolt for fixing the blade Ø30 x 130	11,20	52-03-510	Block spring thread ø36	1 373,00
40-03-352	Ø 15-13 mm special prenoched shear bolt unit price	147,00	52-03-514	arm for sécurité cultiplow 52 52/60	1 142,00
40-04-411	Complete left-hand Combiplow blade 20x720 with standard Combiplow pl.	1 216,00	52-03-520	Spring support (Support sécurité ressort 52)	332,00



Code	Description	Unit Price E	Code	Description	Unit Price E
52-03-624	Fixation security spring arm blade 52	289,00	5802010	Nut with crenel M20x2	12,90
52-05-300	Ø526 roller cage kit - 3.00m - Culti 51P-52-52P - arms and frame	4 418,00	58-ET-001	Sticker kit Cultiplow 58	71,00
52-05-400	Ø520 roller cage kit - 4.00m - Culti 51P-52-52P - arms and frame	5 347,00	5915250	TFCC screw 12x80	1,50
52-06-011	Ø526 roller cage kit - 4.00 m folding	10 284,00	5G0,5-5E	PVC spiral rope - 5 threads x 0.5mm2	37,50
52-06-523	Left-hand-side roller arm	743,00	60-04-413	Complete Combiplow blade 720 - winged ploughshare - Left	1 163,00
52-06-524	Right-hand-side roller arm	743,00	60-04-414	Complete Combiplow blade 720 - winged ploughshare - Right	1 163,00
52-07-003	Parking stand kit for CULTIPLOW 52 - 54	312,00	666-9899-1	Adjustment block 22.2mm	24,60
52-07-110	Stand	159,00	666-9899-2	Adjustment block 25,4mm	31,00
52-07-210	Stand mating flange	148,00	666-9899-3	Adjustment block 31.8mm	43,00
52-07-501	Stands (béquille)	159,00	666-9899-4	Adjustment block 38.1mm	49,00
52-07-510	Stand Metal-Plate diam.30 (contre-bridés de béquilles)	148,00	666-9899-5	Adjustment block 19,2mm	21,40
5215240	TFCC screw 12x60	1,20	680107	Pressure plug	35,30
52-16-001	Disc coulter kit with 3D safety device and disc Ø500- Left	1 076,00	705-430	Output limiter DVE 10	123,00
52-16-002	Disc coulter kit with 3D safety device and disc Ø500- Right	1 076,00	722401	Engine joint 9.8 cm3 for turbine	49,00
52-16-003	Disc coulter kit with 3D safety device and disc Ø510- Left	698,00	72-41-302	Cap M53.5 x 1.5	12,80
52-16-004	Disc coulter kit with 3D safety device and disc Ø510- Right	698,00	76RE60	Kit 2 boards red/white PVC	82,00
52-16-007	Disc coulter kit left Ø30	698,00	76RE61	Kit 2 boards RED/White ALU	66,00
52-16-008	Disc coulter kit right Ø30	698,00	8000353	Ring DIN50 with turntable	447,00
52-16-009	Disc coulter kit left central	698,00	800540PMF1	Stand kit	556,00
52-16-010	Disc coulter kit right central	698,00	820-20-36-19	Regulating lever 3 treads	154,00
52-16-501	Left-side support fixing coulter	388,00	8860_30-301_0	Scraper	47,00
52-16-502	Right-side support fixing coulter	388,00	91-005	520mmx252mm Flexi Sem Tyres	432,00
52-16-504	Arm coulter right-side	627,00	91-050	Ø520mm Flexi-Sem roller - 0.50m	1 936,00
52-16-511	Support circular coulter right-side Ø24	273,00	91-250	Ø520mm Flexi-Sem roller - 2.50 m	5 387,00
52-16-512	Support circular coulter left-side Ø24	273,00	91-300	Ø520mm Flexi-Sem roller - 3.00m	5 939,00
52-16-513	Circular support coulter Ø30 right	302,00	91-350	Ø520mm Flexi-Sem roller - 3.50m	7 003,00
52-16-514	Circular support coulter Ø30 left	302,00	94-06-001	Hitch arm kit with thrust bar for Cultiplow 51	1 549,00
52-16-612	Slide	118,00	94-06-002	Hitch arm kit with thrust bar for Cultiplow 52	1 752,00
5230175	Shin share for LOCASEM	6,40	94-06-009	Special coupling for Combiplow 38	1 752,00
5240245	Security 3D long 35x35 right	159,00	94-06-013	Special coupling for Combiplow 36+	2 135,00
5240246	Security 3d long 35x35 left	159,00	94-06-014	Hitch arm kit with thrust bar	766,00
5242448	Reversible twist share right 75x480	39,60	94-06-501	Hitch arm for Cultiplow 51	574,00
5242449	Reversible twist share left 75 x 480	39,60	94-06-504	Hitch in H for Combiplow 32S - 36S	1 164,00
5242505	Reversible double heart share 135x440	32,10	94-06-605	Hitch in H Combipow 48	1 492,00
5242554	Self sharpening share 410x240 TFCC 12	43,00	94-06-620	Combiplow 38's hitch	1 585,00
54-11-604	Tube front for reflective plates Cultiplow	60,00	97-04-105	Bolt for fixing the disc	2,90
552-806	Pressure limiter 250B DB12	136,00	97-06-513	Frame fix roller 3.50m	1 822,00
5799250080	Subset stub axle flange	295,00	97-10-008	Kit complete unit front culture	1 327,00

Code	Description	Unit Price E	Code	Description	Unit Price E
97-10-009	Kit complete unit rear culture	1 327,00	ACT-E0100131	Ring of stop for HR Actimulch	13,00
97-10-514	Front fix disc arm	618,00	ACT-E0100132	Tine attachment pin	6,00
97-10-515	Arm of rear disc kit fixed	618,00	ACT-E0100133	Screw fixing of tine support	2,00
97-10-523	Arm of front disc	830,00	ACT-E0100134	Tine lock pin	21,00
97-10-524	Arm of rear disc	830,00	AGM01-03-511	Double spring safety device 3D left	459,00
97-10-526	Axle of arm	100,00	AGM01-03-512	Double spring safety device 3D right	459,00
97275043	Lift cylinder ø 25 screed	112,00	AGM01-03-513	Double spring safety device 3D left	459,00
AAR20-095	Anti rotation axle Ø25 x 95	27,80	AGM01-03-514	Double spring safety device 3D right	459,00
AAR25-095	Anti-rotation axle ø25 x 95	30,00	AGM01-ET-001	Sticker kit rigid frame Agromulch	71,00
AAR25-115	Anti-rotation axle ø25 x 115	33,20	AGM01-ET-002	Sticker kit frame folding	71,00
AAR25-170	Anti-rotation axle ø25 x 170	35,30	AGM02-01-004	Extensions ring kit	361,00
AAR30-120	Axle disc tracer arms	37,50	AGM02-03-001	Moulded spring safety device kit	1 114,00
AAR30-145	Roller cylinder axle	30,00	AGM02-03-030	Spring safety device kit	1 301,00
AAR30-180	Roller cylinder axle	37,50	AGM02-03-531	Security shock absorber rod	122,00
AAR30-240	Cask cylinder axle	35,30	AGM02-03-604	Security shock absorber head	136,00
AAR40-095	Hitch arm axle	50,00	AGM02-03-610	Bush for bolt security	30,00
AAR40-105	Anti-rotation axle ø40 x 105	50,00	AGM02-06-401	Roller arm kit extended	1 086,00
AAR40-155	Anti-rotation axle ø40 lg 155	46,00	AGM02-ET-001	Sticker kit frame rigid Agromulch	71,00
AAR40-175	Anti-rotation axle ø40x175	39,60	AGM02-ET-002	Sticker kit frame folding	71,00
AAR40-195	Swivel axle wheels extension	55,00	AGM03-03-022	Double pointed shovel kit 135 x 440 with TFCC 12	35,30
AAR40-205	Extension cask-side axle	57,00	AGM03-03-023	Reversible twisted share kit Left with screws	39,60
AAR40-220	Anti-rotation ø40 x 255 axle	57,00	AGM03-03-024	Reversible twisted share kit Right with screws	39,60
AAR40-255	Anti-rotation Ø 40 x 255 axle	58,00	AGM03-03-025	Slef sharpening share kit with TFCC 12	47,00
AAR40-400	Anti-rotation ø40 x 400 axle	90,00	AGM06-03-003	Small safety device 18 for AGROMULCH (Kit sécurité ressort 18)	626,00
AAR40-480	Anti-rotation ø40 x 480 axle	102,00	AGM06-03-101	Leg kit	96,00
AAR40-500	Anti-rotation ø40 x 500 axle	106,00	AGM06-06-046	2,50m T roller kit	4 171,00
AAR50-170	Anti-rotation ø40 x 170 axle	89,00	AGM06-06-047	"T" roller 3m	4 729,00
AAR50-220	Blade arm axle	114,00	AGM06-13-001	Share support	681,00
AAR50-255	Axle blade's arm ø50mm	129,00	AGM06-13-602	Share point TRI-O-SEM	171,00
AAR50-485	Anti-rotation ø50 x 485 axle	144,00	AGM06-13-610	Steel adapter for pipe	26,80
AAR70-400	Anti-rotation ø70 x 400 axle	218,00	AGM06-13-620	Sowing ploughshare fitting (Fixation soc semeur)	108,00
AAR70-700	Anti-rotation ø70 x 700 axle	316,00	AGM06-13-621	Stubble breaker ploughshare fitting (Fixation Socs déchaumeur)	103,00
ACC-501	Plastic plug	3,20	AGM06-16-001	Circular coulte kit left front	520,00
ACC-529	Seed tube connector	5,40	AGM06-16-002	Circular coulte kit right front	520,00
ACC-601	Orientation shim 2xØ20x60 (câle d'orientation)	34,20	AGM07-03-610	Share long wingsweep	34,20
ACC-603	Orientation shim 2xØ18x50 (câle d'orientation)	26,80	AGM09-03-001	Complete big tine with Straight share	167,00
ACT-E0100129	Left hand HR ACTIMULCH tine	11,00	AGM09-03-002	Complete big tine with Sweep share Vibromulch	165,00
ACT-E0100130	Right hand HR ACTIMULCH tine	11,00	AGM09-03-003	Kit vibromulch tine with straight share and sowing element	231,00

Code	Description	Unit Price E	Code	Description	Unit Price E
AGM09-03-004	Kit vibromulch tine with sweep share and sowing element	233,00	AGR20-614	Complete Agrisem blade 730 - standard ploughshare - Left	1 147,00
AGM09-03-601	Clamp for tine Vibromulch	26,80	AGR20-721	Complete Agrisem blade 730 - standard ploughshare - Left	1 283,00
AGM09-13-502	Sowing element for Vibrosem (Elément semeur pour Vibromulch)	70,00	AGR20-721-CBT5	Complete AGRISEM blade 730 - winged ploughshare - left with carbide	1 434,00
AGM09-19-001	Repartition head support kit for Vibromulch	366,00	AGR20-722	Complete Agrisem blade 730 - standard ploughshare - Right	1 283,00
AGM11-03-006	Left mouldboard (for extremity)	18,00	AGR20-722-CBT5	Complete AGRISEM blade 730 - winged ploughshare - right with carbide	1 434,00
AGM11-03-007	Right mouldboard (for extremity)	18,00	AGR20-723	Complete left-hand AGRISEM blade 20x730 Stand. AGRISEM ploughsha	1 239,00
AGM11-03-010	Wing kit without carbide	34,00	AGR20-724	Complete right-hand AGRISEM blade 20x730 with stand. AGRISEM ploug	1 239,00
AGM11-03-011	Wing kit with CARBIDE	143,00	AGR20-731	Complete Agrisem blade 735 - winged ploughshare - Left	1 283,00
AGM11-03-551	Ploughshare with carbide	91,00	AGR20-732	Complete Agrisem blade 735 - winged ploughshare - Right	1 283,00
AGM11-03-552	Right wing with CARBIDE	70,00	AGR20-733	Complete left-hand AGRISEM blade 20x735 with stand. AGRISEM ploug	1 239,00
AGM11-03-553	Left wing with CARBIDE	70,00	AGR20-734	Complete right-hand AGRISEM blade 20x735 with stand. AGRISEM ploug	1 239,00
AGM11-03-601	Blade support 20x590 (Etançon pour lame)	203,00	AGR25-851	Complete Agrisem blade 850 - winged ploughshare - Left	1 944,00
AGM11-03-621	Shoring tine carrier	111,00	AGR25-852	Complete Agrisem blade 850 - winged ploughshare - Right	1 944,00
AGM11-03-623	Standard share	16,00	AGR25-853	Complete left-hand AGRISEM blade 25x850 with stand. AGRISEM ploug	1 870,00
AGM11-03-624	Right hand-side moldboard	16,00	AGR3000-001	Hopper kit 610l	5 898,00
AGM11-03-625	Left hand side moldboard	16,00	AGR3000-007	Transimission kit for AGR3000	1 242,00
AGM11-03-626	Right wing	16,00	AGR3000-008	Arm of sun wheel for AGR3000	2 324,00
AGM11-03-627	Left wing	16,00	AGR3000-010	Seed variator kit	1 639,00
AGM11-03-630	Left hand side moldboard	18,00	AP2J601000300-1	Cylinder seals kit	70,00
AGM11-03-631	Right hand side moldboard	18,00	AT08S014R	Turning adapter DIN8S - 1/4" Gas	8,60
AGM11-10-501	Left support of single kit	128,00	AT12S012R	Turning adapter DIN12S - 1/2" Gas	21,40
AGM11-10-502	Right support of single disc	128,00	AT14S012R	Turning adapter DIN14S - 1/2" Gas	19,30
AGM11-10-503	Disc support double	157,00	AT16S012R	Turning adapter DIN16S - 1/2" Gas	18,20
AGM11-10-601	Rubber security flange	45,00	AV20-501	Locking pin Ø20	30,00
AGM11-10-608	Hub	86,00	B050610	Drilled block	708,00
AGM11-10-609	Ø70 x 11 lid	7,50	B2-1865	Attachment hub - 3D security 2 bolts + 2 washers	18,20
AGM11-10-610	Ø35 x 190 polymer absorber	19,30	B2-2070	Kit fixing bolt hub Disc-O-Mulch (screws)	15,00
AGR12-431	Complete Agrisem blade 430 - winged ploughshare - Left	423,00	B2-C-18980	Attachment hub - 3D 2 special bolts + 2 washers+ dowel	47,00
AGR12-432	Complete Agrisem blade 430 - winged ploughshare - Right	423,00	B2-C-2085	Kit fixing bolt hubDisc-O-Mulch	47,00
AGR15-501	Complete Agrisem blade 500 - winged ploughshare - Left	686,00	B2-C-20980	Attachment hub - 3D 2 special bolts + 2 washers+ dowel	54,00
AGR15-502	Complete Agrisem blade 500 - winged ploughshare - Right	686,00	B2-CO-18980	Attachment hub - 3D for pneum DOS: 2 special bolts + 2 washers+ dowel	49,00
AGR15-503	15x500 AGRISEM blade kit Left	637,00	B2-O-1880	Kit fixing bolt hub Disc-O-Mulch	20,30
AGR15-504	20x610 AGRISEM blade kit Left	637,00	B3-18140	Kit 3 bolts Ø18	18,20
AGR20-611	Complete Agrisem blade 610 - winged ploughshare - Left	1 191,00	B3-181420	Kit nuts hub fixing on flexi-pack	26,80
AGR20-611-CBT5	Complete AGRISEM blade 610- winged ploughshare with carbide	1 342,00	B4-1235	4 bolts kit with VBCC12-035	11,80
AGR20-612	Complete Agrisem blade 610 - winged ploughshare - Right	1 191,00	B4-1425	Kit of 4 screws VH14-025	9,60
AGR20-612-CBT5	Complete AGRISEM blade 610 - winged ploughshare - right with carbide	1 342,00	B8-1425	Kit of 4 screws VH14-025	18,20
AGR20-613	Complete Agrisem blade 610 - standard ploughshare - Left	1 147,00	BASL30407	Ring sealing	45,00

Code	Description	Unit Price E	Code	Description	Unit Price E
BE105-10	Seal VK 105x10 NBR	10,00	BPI-501	Blade attachment bolt Ø30	8,70
BE85-12	Waterproof seal Ø85 x 12	9,00	BQ-12	Attachment bolt of the 3D security Ø12	3,50
BES36-44X37	Bush Ø36 - 44 X 37mm	28,90	BQ-16	Fixing bolt of the 3D security with hole Ø16	4,30
BF-502	Friction ring Ø40 x 40	26,80	BS21	Ring BS Ø21,54	1,40
BF-504	Friction ring Ø50 x 40	32,10	BSC-506	security bolt Ø18/20 x 25	3,50
BF-510	Friction ring Ø50 X 60 (bronze)	35,30	BSC-507	security bolts Ø18 x 20	3,50
BF-513	Friction ring Ø50 x 60 - mat comp	31,00	BSC-508	Ø20 mm special prenotched shear bolt, unit price	3,50
BF-515	Friction ring Ø 40 X 40 mat comp	25,70	BSC-509	Ø20 mm double diameter special prenotched shear bolt, unit price	3,50
BF-516	Friction ring Ø30x36x24	24,60	BSC-517	Attachment bolt Ø16/18 blade of 15	2,70
BF-517	Friction ring Ø 50 X 40 mat comp	28,90	BSC-521	Safety bolt Ø24 x 15	4,20
BF-518	Friction ring Ø60x30	28,90	BSC-556	Box of 50 units safety bolts Ø18/20	162,00
BF-520	Friction ring Ø70 x 70 - mat com (Bague de frottement)	39,60	BSC-557	Box of 50 units safety bolts Ø18	162,00
BF-521	Friction ring Ø65x30	34,20	BSC-558	Ø20 mm special prenotched shear bolt, box of 50	162,00
BF-529	Friction rings Ø 40 X 50 (Bague de frottement Ø40 x 50)	27,80	BSC-559	Security double diameter bolts Ø18/20 x 20 box of 50 units	162,00
BF-530	Friction ring Ø35 x 40 - mat comp	18,20	BSC-567	Box of 50 units safety bolts Ø16/18	126,00
BFX-501	Attachment bolt for ploughshares	12,80	BSC-571	Box of 50 units safety bolts Ø24	226,00
BFX-502	Attachment bolt for ploughshares	9,60	BT04	Tank joint	22,50
BOR12-181	Agrisem leading edge 12-180 - Left	30,00	CA36	Lock nut 3rd point M36x3	22,50
BOR12-182	Agrisem leading edge - 12-180 - Right	30,00	CAF6	Steel wire Ø6mm ; lg=1	17,10
BOR15-121	Agrisem leading edge 15-120 - Left	34,00	CAR-20-30-001	PTO SHAFT - Complete joins Ø20 - Ø30 for DS580 (Cardan complet)	221,00
BOR15-122	Agrisem leading edge 15-120 - Right	34,00	CAT2-105-120	Hitch pins kit cat II 105-120	101,00
BOR30-171	Agrisem leading edge 30-140 - Left	77,00	CAT2-105-150-PB	Hitch pins kit cat II 105-150	101,00
BOR30-172	Right-hand leading-edge 30-170 (Bord d'attaque 30-170 droit)	77,00	CAT2-115-140-PB	Hitch pins kit cat II 115-140	101,00
BP11-295-370	Push rod Cat: 1.1 lg 295-370	31,00	CAT3-110-150-PB	Hitch pins kit cat III 110-150	171,00
BP11-407-595	Push rod reinforced cat.1-1	33,20	CAT3-115-140-PB	Hitch pins kit cat III 115-140	171,00
BP22-1930-2130	Push rod cat.2-2 lg 1930-2130	262,00	CAT3-125-140-PB	Hitch pins kit cat III 125-140	171,00
BP22-2530-2730	Push rod cat.2-2 lg 2530-2730	293,00	CAT3-125-150-PB	Hitch pins kit cat III 125-150	171,00
BP22-418-607	Push rod	135,00	CB08S014R	Banjo 1/4" Gas / din 08S	24,60
BP22-525-726	Push rod cat. 2-2 lg 525	183,00	CB12-35	Metal plate 12-35 (Contre-bride 12-35)	13,90
BP22-737-1020	Push rod Cat: 2.2 lg 737-1020	198,00	CB12-50	Metal plate 12-50 (Contre-bride 12-50)	18,20
BP3-227-312	1/2 push rod Cat: 3.3 lg 227-312	77,00	CB12S038R	Banjo DIN12S 3/8" gas	31,00
BP32-620-905	Push rod cat 3-2 lg	412,00	CB14S012R	Banjo 1/2" Din 14S	50,00
BP33-1050-1400	Push rod Cat:3 - Lg: 1050-1400	309,00	CB16-100	Mating flange 16-100	32,10
BP33-455-625	Drawbar "Special frong coupling" Cat. 3-3 thread M40-3.00	156,00	CB16-120	Metal plate 16-120 (Contre-bride 16-120)	33,20
BP33-525-815	Push rod cat 3-3	208,00	CB20-120	Metal plate 20-120 (contre-bridés 20-120)	37,50
BP33-620-905	Push rod Cat III Lg 620-905	285,00	CB24-120	Metal plate 24-120 (Contre-bride 24-120)	40,70
BP33-770-1090	Push rod cat III Lg 770-1090	288,00	CB24-160	Metal plate 24-160	47,00
BP-501	Extended push rod	469,00	CB24-200	Metal place 24-200 (contre-bridés 24-200)	51,00

Code	Description	Unit Price E	Code	Description	Unit Price E
CB24-80	Metal plate 24-80	38,50	CD30-C462-00	3D security kit 30 S 460 Rear	468,00
CB30-200	Metal plate 30-200	80,00	CD30-C462-02	3D security kit 30 S 460 Rear + Indiv seeding elements	704,00
CB30-300	Mating flange CB30-300	89,00	CD30-C462-20	3D security kit 30 S 460 Rear + orientation sprag	499,00
CBA-32-52	Collar tying with strip openwork Ø32-Ø52	6,40	CD30-C462-22	3D security kit 30 S 460 Rear + OS + Indiv seeding elements	729,00
CBP01-05-002	Standard wheel kit Ø700 x 220	3 204,00	CD30-C511-00	3D security kit 30 S 510 Front	475,00
CBP01-07-001	Stand kit	116,00	CD30-C511-20	3D security kit 30 S 510 Front + orientation sprag	504,00
CBP01-15-002	Kit including 3 cat 2 axis, to né for rear coupling	125,00	CD30-C512-00	3D security kit 30 S 510 Rear	475,00
CBP01-ET-001	Sticker kit for Combiplow 32+	35,30	CD30-C512-02	3D security kit 30 S 510 Rear + indiv seeding elements	709,00
CBP02-02-001	Retractable, reinforced top link, rear, coupling cat.3 - pins 2 and 3	1 280,00	CD30-C512-20	3D security kit 30 S 510 Rear + orientation sprag	504,00
CBP02-02-010	Kit to reduce n 3 axis to n2 for rear coupling	31,00	CD30-C512-22	3D security kit 30 S 510 Rear + OS + Indiv seeding elements	736,00
CBP02-02-502	Special drawbar for Combiplow (not weld)	633,00	CD30-C561-00	3D security kit 30 S 560 Front	479,00
CBP02-05-002	Pair of Ø700 x 220 mm standard wheels kit	2 520,00	CD30-SC461-00	3D security kit 30 SR 460 Front	432,00
CBP02-05-501	Multi-stop	561,00	CD30-SC461-20	3D security kit 30 SR 460 Front + orientation sprag	492,00
CBP02-05-502	Complete wheel arm	659,00	CD30-SC462-00	3D security kit 30 SR 460 Rear	482,00
CBP02-05-605	Distance spacer	35,30	CD30-SC462-20	3D security kit 30 SR 460 Rear + orientation sprag	492,00
CBP02-05-606	Sprag	33,20	CD30-SC511-00	3D security kit 30 SR 510 Front	489,00
CBP02-06-001	Ø526 Heavy duty cage roller kit with frame and arms 3,00m	5 019,00	CD30-SC511-20	3D security kit 30 SR 510 Front + orientation sprag	503,00
CBP02-06-002	Ø526 Cage roller kit with frame and arms 4,00m	6 614,00	CD30-SC512-00	3D security kit 30 SR 510 Rear	489,00
CBP02-06-003	Ø526 Cage roller kit with frame and arms 3,50m	5 980,00	CD30-SC512-20	3D security kit 30 SR 510 Rear + orientation sprag	503,00
CBP02-06-601	Distance spacer 51/38.4/55	21,40	CD35L-E462-00	3D security kit S35 long E 460 rear	455,00
CBP02-06-602	Half adjusting ring for roller	31,00	CD35L-E561-00	3D security kit long E 560 front	556,00
CBP02-06-603	Distance spacer 51/38.4/45	26,80	CD35L-E562-00	3D security kit S35 long E 560 rear	556,00
CBP02-09-001	Kit extension 4,00m Combiplow 36+	1 833,00	CD35L-S462-00	3D security kit S35 long S 460 rear	456,00
CBP02-09-501	Left-side extension for Combiplow 36+ (extension gauche)	1 007,00	CD35L-S511-10	3D security kit 35 SRE 510 Front + orientation sprag	675,00
CBP02-09-502	Right-side extension for Combiplow 36+ (extension droite)	1 007,00	CD35L-S512-00	3D security kit 35 - SRE 510 rear	639,00
CBP02-20-001	Hydraulic kit for Ø526 cage roller	1 873,00	CD35L-S512-10	Kit 3D S35 Long S510 Rear + orientation dowel	675,00
CBP03-02-501	Left-hand coupling arms (Bras d'attelage gauche)	593,00	CD35L-S512-12	3D security kit 35 SRE 510 Rear + OS + Indiv seedingelements	858,00
CBP03-02-502	Right-hand coupling arms (Bras d'attelage droit)	593,00	CD35L-S561-00	Kit 3D S35 Long S560 Front	664,00
CBP04-02-001	Rear retractable hitch kit cat 2	1 357,00	CD35L-S561-10	3D security kit 35 SRE 560 Front + orientation sprag	701,00
CBP04-02-602	Distance spacer for coupling arm	19,30	CD35L-S562-00	Kit 3D S35 Long S560 Rear	664,00
CBP04-02-603	Adjustment abutment	11,80	CD35L-S562-02	3D security kit 35 SRE 560 Rear + Indiv seeding elements	828,00
CBP04-ET-001	Sticker kit for Combiplow 31+	35,30	CD35L-S562-10	Kit 3D S35 Long S560 Rear + orientation dowel	701,00
CBP06-02-001	Tractor top link coupling cat.2 and cat.3	892,00	CD35L-S562-12	3D security kit 35 SRE 560 Rear + OS + Indiv sedding elements	863,00
CBP06-09-003	Kit extension pair for 4m	626,00	CD35L-S564-00	Kit 3D security S35 long S560 rear with fluted disc	689,00
CBP06-ET-003	Sticker kit for Combiplow Gold	35,30	CD35L-S611-00	Kit 3D S35 Long S610 Front	669,00
CCG001	Punches box	18,00	CD35L-S612-00	Kit 3D S35 Long S610 Rear	669,00
CD30-C461-00	3D security kit 30 S 460 Front	468,00	CD35L-S612-02	3D security kit 35 SRE 610 Rear + Indiv seeding elements	832,00
CD30-C461-20	3D security kit 30 S 460 Front + orientation sprag	500,00	CD35L-S612-10	3D security kit 35 SRE 610 Rear + orientation sprag	705,00



Code	Description	Unit Price E	Code	Description	Unit Price E
CD35L-SC462-00	3D security kit long SC 460 rear	439,00	CI47-1.75	Circlips for interior Ø47x1.75	2,20
CD35L-SC511-10	3D security kit 35x35 SR 510 Front + orientation sprag	580,00	CI68-2.5	Circlips for interior diameter Ø68 x 2.5	1,80
CD35L-SC512-00	3D security kit 35x35 - SR - 510 rear	544,00	CI80-2.5	Circlips for interior diameter Ø80 x 2,5	3,30
CD35L-SC512-10	3D security kit 35x35 SR 510 Rear + orientation sprag	580,00	CI85-3	Circlips for bore Ø85 x 3	3,40
CD35L-SC512-12	3D security kit 35 SR 510 Rear + OS + Indiv sedding elements	822,00	CI95-3	Circlips for interior Ø95 x 3	2,80
CD35L-SC561-00	3D security kit 35x35 SR 560 Front	549,00	CM1-02-503	Push rod cat : 2-2 lg: 1140 - 1435	388,00
CD35L-SC561-10	3D security kit 35x35 SR 560 Front + orientation sprag	584,00	CM1-02-504	Push rod cat: 2-2 lg: 525 - 815	247,00
CD35L-SC562-00	3D security kit 35x35 SR 560 Rear	549,00	CM1-06-606	Coupling arms for Combimulch	931,00
CD35L-SC562-02	3D security kit 35 SR 560 Rear + Indiv seeding elements	712,00	COUT-57-602	Knife in "Y"	10,20
CD35L-SC562-10	3D security kit 35x35 SR 560 Rear + orientation sprag	584,00	CP08C	Complete single flexible collar Ø8	6,40
CD35L-SC562-12	3D security kit 35 SR 560 Front + OS + Indiv sedding elements	827,00	CP17C	Complete single flexible collar Ø17	8,60
CD35L-SC611-00	3D security kit 35x35 SR 610 Front	553,00	CP2J60100	C Cylinder seals kit	101,00
CD35L-SC612-00	3D security kit 35x35 SR 610 Rear	553,00	CPA080758	Key 8x7x58	65,00
CD35L-SC612-10	3D security kit 35x35 SR 610 Rear + orientation sprag	589,00	CPD13	Double flexible tightness collar Ø17	8,60
CDF-148-155	Double thread collar Ø148 - Ø155	9,60	CPD13C	Complete double flexible collar Ø13	7,50
CDF-160	Double thread collar Ø155 - Ø170	9,60	CPD17	Double shell closing plate	7,50
CDF-69-75	Double thread collar Ø69 - Ø75	2,10	CPD17C	Complete collar tying kit double flexible Ø17	10,70
CDF-88-96	Double thread collar Ø88 - Ø96	3,70	CR-41-43	Spring clamp	0,70
CE20-1.2	Circlips outside 20x1.2	1,40	CRS-06B1-AR	Quick fastener	1,10
CE25-1.2	Circlips outside 25x1.2	1,60	CRS-08B1-AR	Quick fastener single pitch 12.7	2,10
CE29-1.5	Circlips outside 29x1.5	2,00	CRS-08B1-CS	Simple step chain 12.7 weter (Chaîne simple pas 12.7 en mètre)	18,20
CF02-01-502	Left-side extension for frame	815,00	CRS-08B1-MCS	Half chain bent single pitch 12.7	3,00
CF02-01-503	Right-side extension for frame	815,00	CT08S	Adaptable elbow DIN 08S	13,90
CF02-01-504	Stand for COMBILOW 35D	207,00	CT1201205	Hiding place tube 120x120x5	31,10
CF02-06-001	Ø526 mm cage roller kit 3M	5 678,00	CT120603	Hiding place tube 120x60x3	22,40
CF02-06-002	Ø526 mm roller kit 3,5M	6 640,00	CT120605	Hiding place tube 120x60x5	15,30
CF02-09-100	Extensions kit COMBILOW 35D	1 576,00	CT12S	Adaptable elbow DIN 12S	17,80
CF02-ET-001	Sticker kit Combiplow 35D	35,30	CT14S	Adaptable elbow DIN 14S	26,50
CFP35-003	Kit Corps left Flexi-pack	942,00	CT16S	Adaptable elbow DIN 16S	29,40
CFP35-004	Kit Corps right Flexi-pack	942,00	CT30-2	Hiding tube Ø30x1.5	1,70
CFP35-005	Kit security Flexi-Pack Left	950,00	CT35-2	Hiding tube 35x1.5	2,10
CFP35-006	Kit security Flexi-Pack Right	950,00	CT40404	Hiding tube 40x40x4	4,60
CGC18	GALVA Collar Ø18	5,70	CT50505	Hiding tube 50x50x5	4,50
CGC21	GALVA Collar Ø20	6,80	CT60605	Hiding tube 60x60x5	6,30
CHMC012	Coupler with valves male 1/2" gas	11,00	CTP01-06-001	Ø526 cage roller kit - 3.50 m	7 374,00
CHMC034	Coupler with valves male 3/4" gas	38,20	CTP01-06-003	Ø526 cage roller kitt - 2 m - left	6 177,00
CI100-3	Circlips for interior diameter Ø100 x 3	3,90	CTP01-06-004	Ø526 cage roller kit - 2 m - right	6 177,00
CI105-4	Interior circlips Ø105 x 4	3,30	CTP01-06-005	Ø526 cage roller kit - 1.50 m - left	3 506,00



Code	Description	Unit Price E	Code	Description	Unit Price E
CTP01-06-006	Ø526 cage roller kit - 1.50 m - right	3 506,00	DOM11-03-506	3D security 30x30 mm short left-side	424,00
CTP01-06-501	Roller frame 3.50 m	2 615,00	DOM11-03-511	Front short 3D security system with high impact spring Ø 35	180,00
CTP01-06-503	Roller frame left-side extension	1 479,00	DOM11-03-512	Rear short 3D security system with high impact spring Ø 35	180,00
CTP01-06-504	Roller frame right-side extension 1.50m	1 479,00	DOM11-08-505	Independant sowing boards 2xØ18 fixing to 50	194,00
CTP01-06-505	Roller frame left-side extension	1 174,00	DOM11-08-525	Independent sowing board 2xØ35mm	198,00
CTP01-06-506	Roller frame right-side extension 0.50m	1 174,00	DOM11-08-529	Independent sowing board 2xØ40mm	213,00
CTP01-06-508	Roller outside connecting rod	186,00	DOM13-05-001	Individual clod breaking seeding board - sowing elements	1 472,00
CTP01-06-509	Roller inside connecting rod	144,00	DOM14-15-001	Hitch pin kit cat2	101,00
CTP01-06-511	Roller arm left-side	763,00	DOM15-03-001	Fixing plate kit QDC30 - 100 beam	50,00
CTP01-06-512	Roller arm right-side	763,00	DOM15-08-003	Lateral deflector plate kit left-side	218,00
CTP01-06-513	Roller arm double	839,00	DOM15-13-507	Independent seeding pipes 1	124,00
CTP01-ET-004	Sticker kit 6.50m and 8m	71,00	DOM15-ET-001	Sticker kit for DOM BEST	35,30
CTP02-06-002	Ø526x3m roller cage kit	3 638,00	DOM15-ET-002	Sticker kit for DOM BEST folding	71,00
CTP02-06-501	Roller arm left-side	641,00	DOM15-ET-003	Sticker kit for DOS BEST	35,30
CTP02-06-502	Roller arm right-side	641,00	DOM16-03-511	Front 3D Security C35 Classic	192,00
CTP02-06-601	Arm for Combimulch Cultiplow 28	469,00	DOM16-03-512	Rear 3D Security C35 Classic	192,00
CTP02-07-002	Stand kit ECOFLOW SR	533,00	DOM16-08-611	Standard left-hand deflector	216,00
CTP02-07-501	Stand mating flange	108,00	DOM21-01-510	Hauban fixation for head of repartition	22,50
CTP02-07-502	Stand	118,00	DOM21-05-003	Kit wheel left flexi pack trailed DOM S35	3 306,00
CTP04-ET-001	Sticker kit for Ecoplow-T	35,30	DOM21-05-004	Kit wheel right flexi pack trailed	3 306,00
CTP06-12-003	Blade support kit offset short left	989,00	DOM21-06-049	Roller Flexi-Pack 3D - 3 m mounted	7 295,00
CTP06-12-004	Blade support kit offset short right	989,00	DOM21-08-006	Deflector plate kit Robust	439,00
DD6550KGAR	Adjustable flow divider valve 0-50 l/mn	379,00	DOM21-08-503	Clod-breaking Board 3,00m for Flexi-Pack (tabliers 3m FP)	1 158,00
DDE1650BK0	Flow divider valve 3/8" gas - 50/50	301,00	DOM21-08-504	Clod-breaking Board 1,5m (tablier pour 6m Repl)	599,00
DIN960M20X1.50X080	VH M20x1,5x80-10.9	7,50	DOM21-08-507	Clod-breaking Board 0,5m (tablier pour 4m Repl)	229,00
DIS-516	Ø 610 crenellated disc with flat bottom - 10 holes	70,00	DOM21-09-010	Locking kit extension ROBUST	105,00
DIS-544	Flat disc Ø 350 - 5 holes (Disque plat Ø350 x 3 - 5 trous Ø8 sur Ø85)	34,20	DOM21-11-506	Reflective plates mast for trailed Flexi-Pack	110,00
DIS-547	Flail disc Ø 810mm - ep: 10mm - front	255,00	DOM21-11-507	Male arm for reflective plates	83,00
DIS-550	Fluted discs 26" (d. cannelé Ø665 à fond plat- 4x14/Ø80 et 14/Ø110)	106,00	DOM21-14-150	Flexi-pack 3D roller kit - 1.5m mounted	3 247,00
DIS-551	Fluted discs Ø610 (d.cannelé Ø610 flat bottom 4x14/Ø80 and 14/Ø110)	75,00	DOM21-14-524	Right-hand extension Flexi-pack 4m rigid	518,00
DIS-552	Fluted discs Ø560 (d.cannelé Ø560 flat bottom 4x14/Ø80 and 14/Ø110)	67,00	DOM21-14-525	Left-hand Extension Flexi-Pack 4,00m (extension fixe)	518,00
DIS-553	Fluted discs Ø510 (d.cannelé Ø510 flat bottom 4x14/Ø80 and 14/Ø110)	62,00	DOM21-15-503	Rear axle + abutment Ø50mm	48,00
DIS-556	Crenellated disc Ø460 for AGROMULCH	37,50	DOM21-19-002	Distribution support for fertilizing	2 573,00
DIS-560	Flat disc Ø300 x 3 - 6 holes	20,30	DOM21-19-024	Double repartition head support kit	947,00
DOM11-03-003	C30 kit 3D Ø510 front	397,00	DOM21-19-501	4 repartition heads support	2 172,00
DOM11-03-004	C30 kit 3D Ø510 rear	397,00	DOM21-19-519	Repartition head support left-side	243,00
DOM11-03-501	3D security 30x30 mm short left-side	400,00	DOM21-19-522	Double support repartition head	429,00
DOM11-03-502	3D security kit 30x30 mm short right-side	400,00	DOM21-19-641	Buckle guy for repartition head	43,00

Code	Description	Unit Price E	Code	Description	Unit Price E
DOM21-19-646	Strengthening buckle guy for DOM21	111,00	DOM24-14-546	Right-hand wheel arm for removable hub (Bras de roue droit FP)	957,00
DOM21-19-647	Bridle socket for buckle guy DOM21	35,30	DOM24-14-547	Break chain super coupling	214,00
DOM21-20-001	Cylinder kit hydraulic folding DOM	3 850,00	DOM24-14-749	Roller arm Flexi-Pack (Bras avec ergots - FP Traîné)	337,00
DOM21-20-002	Hydraulic locking kit ROBUST	289,00	DOM24-15-001	Kit including 3 cat 2 axis, coupling on side of tractor	101,00
DOM21-ET-002	Stickers kit	71,00	DOM24-15-005	Axle kit for lighting DOM GOLD	41,70
DOM24-01-006	Distance spacer kit of extensions	361,00	DOM24-15-501	Axle rectangle 50*30	131,00
DOM24-01-743	Distance spacer plate for extension	89,00	DOM24-15-601	Axle extension rod-side	66,00
DOM24-05-001	Depth control wheel kit	4 450,00	DOM24-17-013	Hydraulic brake kit	613,00
DOM24-05-002	Flexi-pack whole wheel right-side	3 855,00	DOM24-19-001	Repartition head support kit	293,00
DOM24-05-003	Flexi-pack whole wheel left-side	3 855,00	DOM24-19-002	Support for double repartition head kit	983,00
DOM24-05-501	Complete multistop (Multistop complet)	641,00	DOM24-19-004	Buckle guy kit for DOM24-19-002	129,00
DOM24-05-502	Stabilizing wheel arm (Bras roues stabilisatrices)	627,00	DOM24-19-010	Straightener device pipe kit DS1100	294,00
DOM24-06-002	Ø526 cage roller kit with frame and arms 4,00m	6 496,00	DOM24-19-011	Straightener device pipe kit BEST DS610	294,00
DOM24-06-003	Ø526 cage roller kit with frame and arms 3,00m	4 869,00	DOM24-19-012	Straightener device pipe kit DS1400	353,00
DOM24-06-004	Reinforced Ø526 cage roller kit 1.50 m	3 519,00	DOM24-19-505	Buckle guy for repartition head	75,00
DOM24-06-005	Reinforced Ø526 cage roller kit 1 m	2 644,00	DOM24-19-510	Straightener device support	80,00
DOM24-06-006	Reinforced Ø526 cage roller kit 0.50 m	1 956,00	DOM24-19-610	Fixing plate	30,00
DOM24-06-007	Ø526 cage roller kit with frame and arms 3,50m	5 845,00	DOM24-19-612	Tension rod for DS610/DS1100	248,00
DOM24-06-012	Ø526 cage roller kit with frame and arms 4,00m folding	8 129,00	DOM24-19-613	Tension rod for DS1400	284,00
DOM24-06-503	Roller frame 3,00m - (Châssis rouleau 3,00m)	1 454,00	DOM24-20-004	Hydraulic kit DISC-O-MULCH GOLD	2 824,00
DOM24-06-505	Extensions for roller frame 1 m (Châssis rouleau extension 1m)	811,00	DOM24-20-005	Hydraulic kit Flexi-pack 3.00 m	3 038,00
DOM24-06-506	Extensions for roller frame 0,50 m (Châssis rouleau extension 0,50m)	603,00	DOM24-20-006	Hydraulic kit tractor Flexi-pack	209,00
DOM24-06-580	Roller arms with plate (Bras de rouleau avec platine)	556,00	DOM24-20-008	Hydraulic folding kit 7m50	3 648,00
DOM24-08-001	Left-hand side deflector kit	293,00	DOM24-20-009	Hydraulic super draw-bar kit	302,00
DOM24-08-003	Right-hand lateral deflector kit for Flexi Pack	293,00	DOM24-20-010	Hydraulic extension kit 3.00 m	103,00
DOM24-08-021	Clod breaking-board kit 3 m	1 059,00	DOM24-20-011	Hydraulic extension locking kit	61,00
DOM24-08-502	Left-hand deflector (Déflecteur gauche)	290,00	DOM24-20-014	Hydraulic tracers kit 6 m trailed	2 263,00
DOM24-08-505	Right-hand deflector Flexi-pack	290,00	DOM24-20-015	Hydraulic tracers kit 5 m mounted	2 263,00
DOM24-12-002	Small disc adaptation support kit	153,00	DOM24-20-016	Hydraulic tracers kit 5 m trailed	2 263,00
DOM24-12-511	Small disc adaptation support	324,00	DOM24-20-020	Hydraulic Flexi-pack trailed kit 3 m	2 611,00
DOM24-14-005	Super draw bar kit	4 891,00	DOM24-20-021	Hydraulic kit DISC-O-MULCH	2 109,00
DOM24-14-055	Frame kit Flexi pack	3 992,00	DOM24-23-001	Discs tracer kit left-side 5-6 m	2 841,00
DOM24-14-082	Frame kit Flexi pack trailed 3.00m	7 191,00	DOM24-23-002	Discs tracer kit right-side 5-6 m	2 841,00
DOM24-14-085	Arm kit Flexi-pack trailed	773,00	DOM24-23-003	Discs tracer kit left-side 4 m	2 841,00
DOM24-14-100	Coupling kit chain Super	249,00	DOM24-23-004	Discs tracer kit right-side 4 m	2 841,00
DOM24-14-505	Hydraulic hoses holders	150,00	DOM24-23-005	Disc tracers	691,00
DOM24-14-540	Trailed Flexi-pack roller frame 3.00	3 813,00	DOM24-23-006	Right-hand suporting yoke kit	296,00
DOM24-14-545	Left-hand wheel arm for removable hub (Bras de roue gauche FP)	957,00	DOM24-23-007	Left-hand suporting yoke kit	296,00

Code	Description	Unit Price E	Code	Description	Unit Price E
DOM24-23-103	Tracer kit 5.00 m folding mounted	5 516,00	DOM28-06-505	Roller frame beam 2,25m - DOM 28 SUPER (Poutre de châssis rouleau)-	494,00
DOM24-23-104	Tracer kit 5.00 m folding trailed	5 516,00	DOM28-06-507	Roller frame beam 3,50m - DOM 28 SUPER (Poutre de châssis rouleau)-	637,00
DOM24-23-106	Tracer kit 6.00 m folding trailed	5 516,00	DOM28-06-508	Roller frame beam 4,00m DOM 28 SUPER (Poutre de châssis rouleau)-	801,00
DOM24-23-501	Tracer arm 5-6 m for DOM24	424,00	DOM28-06-510	Roller arms (Bras de rouleau S355J0)	234,00
DOM24-23-503	Left-side tracer support for DOM24	575,00	DOM28-06-601	Lefthand plate for roller (Flasque gauche)	135,00
DOM24-23-504	Right-side tracer support for DOM24	575,00	DOM28-06-611	Righthand plate for roller (Flasque droite)	135,00
DOM24-23-505	Tracer arm support	410,00	DOM28-06-617	Lefthand plate for roller (Flasque latéral gauche rouleau)	199,00
DOM24-23-506	Male arm for tracer DOM24	220,00	DOM28-06-618	Righthand plate for roller (Flasque latéral droit rouleau)	199,00
DOM24-23-507	Disc support for tracer	34,20	DOM28-06-623	Part for roller arm	49,00
DOM24-34-503	Left-hand locking bolt (Loquet de verrouillage gauche)	104,00	DOM28-08-011	Left-hand lateral deflector kit	293,00
DOM24-34-504	Right-hand locking bolt (Loquet de verrouillage droit)	104,00	DOM28-08-013	Right-hand lateral deflector kit	293,00
DOM24-35-002	3.00 m rigid covering harrow trailed	3 560,00	DOM28-08-505	Lefthand deflector (Déflecteur gauche)	290,00
DOM24-35-006	4m folding covering harrow for FPT	4 020,00	DOM28-08-605	Clod breaking board Support with bolts (tablier boulonnable)	51,00
DOM24-35-007	5m folding covering harrow for FPT	4 336,00	DOM28-08-616	Right-hand deflector	290,00
DOM24-35-008	6m folding covering harrow for FPT	4 665,00	DOM28-09-001	Complete additional disc unit	613,00
DOM24-ET-001	Sticker kit for Disc-O-Mulch Gold rigid	71,00	DOM28-09-003	Complete additional disc unit	613,00
DOM24-ET-002	Sticker kit for Disc-O-Mulch Gold	71,00	DOM28-09-004	Complete additional disc unit BA35 - S560-10	613,00
DOM24-ET-003	Sticker kit for Disc-O-Sem Gold rigid	71,00	DOM28-09-510	QDC cover rear left-side	224,00
DOM24-ET-004	Sticker kit for Disc-O-Sem Gold	71,00	DOM28-09-621	Left-hand hubcap for Super DOM (Enjoliveur gauche)	79,00
DOM24-ET-005	Sticker kit for Disc-O-Mulch Gold	71,00	DOM28-09-622	Right-hand hubcap for Super DOM (Enjoliveur droit)	79,00
DOM24-ET-006	Sticker kit for Disc-O-Sem Gold	71,00	DOM28-19-001	Repartition head kit 24 outlets	2 301,00
DOM26-08-001	Left-hand deflector kit	223,00	DOM28-19-002	Repartition head kit 16 outlets	621,00
DOM26-ET-001	Sticker kit for Disc-O-Mulch Classic	71,00	DOM28-19-502	Repartition head support	366,00
DOM28-01-508	Removable gallow for fixed frame DOM 28 SUPER (Potence démontable)	409,00	DOM28-20-001	Hydraulic kit	1 242,00
DOM28-06-044	2m T roller kit	3 560,00	DOM28-34-001	Locking set for DOM 28 Super (Kit verrouillage DOM Super)	256,00
DOM28-06-045	2,25m T roller kit	3 695,00	DOM28-34-501	Latching kit	218,00
DOM28-06-046	2,50m T roller kit	4 171,00	DOM28-ET-001	Sticker kit for DOM SUPER Rigid	71,00
DOM28-06-047	3m T roller kit	4 729,00	DOM28-ET-002	Sticker kit for DOM SUPER	71,00
DOM28-06-048	3,50m T roller kit	5 264,00	DOM28-ET-011	Sticker kit for DOS SUPER Rigid	71,00
DOM28-06-205	2.25 m cage roller kit for DOM Super	2 042,00	DOM28-ET-012	Sticker kit for DOS SUPER	71,00
DOM28-06-206	3.00 m cage roller kit for DOM Super	2 729,00	DOM29-08-001	Clod breaking board 3.00 m	1 155,00
DOM28-06-207	3.50 m cage roller kit for DOM Super	2 937,00	DOM29-08-002	Clod breaking board 3.50 m	1 366,00
DOM28-06-208	4.00 m cage roller kit for DOM Super	3 499,00	DOM29-08-003	Clod breaking board 4.00 m	1 531,00
DOM28-06-209	2.00 m cage roller kit	2 019,00	DOM29-08-006	Clod breaking board 2.00 m	995,00
DOM28-06-283	1,50m T roller kit	2 365,00	DOM29-08-007	Left-hand clod breaking board 2.25 m	1 030,00
DOM28-06-285	2,25m T roller kit for DOM SUPER	3 695,00	DOM29-08-008	Right-hand clod breaking board kit 2.25 m	1 030,00
DOM28-06-401	Roller arm kit reinforced	1 112,00	DOM29-08-009	Clod breaking board kit 2.50 m	1 155,00
DOM28-06-402	Standard roller arm kit for DOM	469,00	DOM29-08-011	Clod breaking board kit 3.00 m for DS610 Ø40mm	1 625,00

Code	Description	Unit Price E	Code	Description	Unit Price E
DOM29-08-021	Clod breaking board kit 3.00 m	1 409,00	DOM8-01-741	Buckle guy	336,00
DOM29-08-501	Clod breaking board 3,00m (Tablier 3,00m)	1 074,00	DOM8-03-051	Plate kit QDC30 - 120 beam	57,00
DOM29-08-502	Clod breaking board 0,25m (Tablier 0,25m) - DOM 29	106,00	DOM8-03-052	fixing kit security system S35	78,00
DOM29-08-503	Clod breaking board extension 0.50m (Extension de tablier 0,50m)	188,00	DOM8-03-053	Fixing kit security system S35	59,00
DOM29-08-505	Clod breaking board (2 m) - DOM 29 (Tablier 2,00m)	957,00	DOM8-03-055	Standard plate kit QDC40 - 120 beam	93,00
DOM29-08-506	Clod breaking board 2.50 m	1 073,00	DOM8-03-057	Plate kit QDC30 - 120 beam	57,00
DOM29-08-511	Clod breaking board 3 m	1 548,00	DOM8-05-002	Double agrairian stabilizing wheel - 5 and 6m	2 785,00
DOM29-08-521	Independent clod braeking with sowing boards 3m for DS580 GOLD and 4	1 318,00	DOM8-05-501	Wheels Multistop (Multistop de roue)	259,00
DOM29-08-525	Left-hand extension 0.25 m	233,00	DOM8-05-504	Arm wheel with double axle (Ensemble bras de roue avec essieu double)	551,00
DOM29-08-526	Right-hand extension 0.25 m	233,00	DOM8-06-042	Ø700 Flexi-Pack 3D roller kit - 3.00m - arms and frame	9 671,00
DOM29-09-503	Left-hand extension 0.50m for DOM 29 GOLD (Extension 0,50m)	352,00	DOM8-06-043	Ø700 Flexi-Pack 3D roller kit - 4.00m - arms and frame	12 900,00
DOM30-ET-001	Sticker kit for Agromulch 30	35,30	DOM8-06-044	Flexi-Pack 3D Ø 700 3.5 m 12 wheels for DOM Super	11 452,00
DOM30-ET-002	Sticker kit for Disc-o-Mulch 30	35,30	DOM8-06-046	Ø700 Flexi-Pack 3D roller kit - 4.00m - arms and frame - folding	14 632,00
DOM31-06-002	Ø450 cage roller kit 3 m Ecodisc	2 088,00	DOM8-06-047	Ø700 Flexi-Pack 3D roller kit - 5.00m - arms and frame - folding	18 080,00
DOM31-06-003	Ø450 cage roller kit 3.50m Ecodisc	2 284,00	DOM8-06-048	Ø700 Flexi-Pack 3D roller kit - 6.00m - arms and frame - folding	21 529,00
DOM31-08-001	Clod breaking board 3.00 m	1 199,00	DOM8-06-176	Harrow for covering-over 3.00m	3 239,00
DOM31-08-009	Left-hand deflector lateral kit ECODISC	223,00	DOM8-06-177	Harrow for covering-over 6.00m hydraulic folding	378,00
DOM31-08-601	Lefthand deflector (Déflecteur gauche - DOM31)	218,00	DOM8-06-178	Harrow for covering-over 6.00m hydraulic folding	378,00
DOM31-09-002	Complete additional disc unit BA30 SC462-10	622,00	DOM8-06-510	Roller frame Flexi 3D - 3 m	1 610,00
DOM31-19-001	Repartition head support kit	308,00	DOM8-06-517	Roller frame Flexi 3D - 0.5 m	996,00
DOM35-14-008	2 points toggling coupling - Cat:3	1 017,00	DOM8-06-518	Roller frame Flexi 3D - 1 m	2 197,00
DOM35-14-734	Wear parts Ø50 mm	17,10	DOM8-06-519	Roller frame Flexi 3D - 1.5 m	1 581,00
DOM36-09-002	Support kit for adaptation of an additional complete rear disc - Left	186,00	DOM8-06-520	Flexi 3D security (ex generation)	318,00
DOM36-09-504	Support for sheat set (Support de kit fourreau)	149,00	DOM8-06-533	Roller frame Flexi 3D - 3.50 m	3 312,00
DOM38-02-001	Push rod kit - Cat :3 - Ø40mm	319,00	DOM8-06-540	Roller arm Flexi-pack 3D hydraulic	550,00
DOM6-03-501	3D security 35x35 mm lg left-hand	430,00	DOM8-06-557	Support arm	997,00
DOM6-03-502	3D security 35x35 mm lg right-hand	430,00	DOM8-06-580	Covering harrow frame - 3 m hydraulic	1 304,00
DOM6-03-503	3D security 35x35 mm lg left-hand	324,00	DOM8-06-611	Bearing ring Ø60	25,70
DOM6-03-504	3D security 35x35 mm lg right-hand	324,00	DOM8-06-612	Bearing fixing washer Ø60	12,80
DOM6-03-508	Right-hand 35x35 mm absorbing arm	294,00	DOM8-06-673	Bearing cross-piece Ø60 - thickness 14,5	25,70
DOM6-ET-001	Sticker kit for DOM S34	71,00	DOM8-06-802	Bearing ring Ø60 ep 12	24,60
DOM8-01-001	Folding gate kit	2 403,00	DOM8-07-002	Uncoupling stand kit	341,00
DOM8-01-002	Clamp kit	382,00	DOM8-07-003	Uncoupling stand kit	371,00
DOM8-01-504	Buckly guy for intensive use, for Super model	1 329,00	DOM8-07-502	Stand	247,00
DOM8-01-540	Hydraulically control latch	425,00	DOM8-07-504	Stand's mating flange	218,00
DOM8-01-545	Buckle guy support hitch plate	294,00	DOM8-07-505	S35 stand - Combi 35D	247,00
DOM8-01-662	Rear support buckle guy	218,00	DOM8-08-001	Lateral deflector kit - Left - Super model	377,00
DOM8-01-721	Distance spacer roller arm Flexi-pack	27,80	DOM8-08-002	Lateral deflector kit - Right - Mounted Super model	377,00

Code	Description	Unit Price E	Code	Description	Unit Price E
DOM8-08-011	Clod breaking apron - 2.50m - Super model	866,00	DOM8-15-515	Locking pin cylinder	55,00
DOM8-08-012	Clod breaking apron - 3.00m - Super model	919,00	DOM8-15-602	Abutment for axle Ø40	20,30
DOM8-08-013	Clod breaking apron - 4.00m - Super model	1 296,00	DOM8-17-008	Hydraulic brake kit Flexi-pack	1 549,00
DOM8-08-020	Clod breaking apron - 4.00m - Super model	1 072,00	DOM8-17-010	Park brake kit Flexi-pack	798,00
DOM8-08-502	Left-hand deflector	371,00	DOM8-17-605	Adjustment screw for brake cable tension	47,00
DOM8-08-503	Deflector for welded roller frame	371,00	DOM8-19-021	Repartition head support kit	224,00
DOM8-08-608	Central clod breaker 3,00m (tablier central)	278,00	DOM8-19-022	Double repartition head support kit	456,00
DOM8-08-611	Extension board - 1m (Tablier extension pour 5,00m)	90,00	DOM8-19-031	Buckle guy kit for repartition head support	179,00
DOM8-08-612	Extension board - 1,50m (Tablier extension pour 6,00m)	170,00	DOM8-19-035	Support kit single repartition head	666,00
DOM8-08-613	Central clod breaking board 2.50 m	731,00	DOM8-19-518	Repartition head support	253,00
DOM8-08-622	Clod breaking board Flexi 3D roller - 3 m	506,00	DOM8-19-519	Double repartition head support 1m50	799,00
DOM8-08-624	Clod breaking board Flexi 3D roller - 0.5 m	47,00	DOM8-19-527	Double male mating head - Ø90	217,00
DOM8-08-625	Clod breaking board Flexi 3D roller - 1 m	326,00	DOM8-19-528	Female head of coupling Ø90	92,00
DOM8-08-626	Clod breaking board Flexi 3D roller - 1.5 m	440,00	DOM8-19-532	Single male mating head - Ø90	124,00
DOM8-08-795	Clod breaking board Flexi 3D roller 3.50m	424,00	DOM8-19-535	Single repartition head support	606,00
DOM8-09-002	Support kit for adaptation of an additional complete rear disc - Left	188,00	DOM8-19-649	Tightening plate	10,70
DOM8-09-501	Side disc cover	184,00	DOM8-19-654	Buckle guy for repartition head support	61,00
DOM8-11-031	Lateral reflective strip kit	467,00	DOM8-20-020	Hydraulic kit Flexi-pack	1 605,00
DOM8-12-605	swivelling leg front hub DOM 35 mm SE bolted hub	24,60	DOM8-20-035	Hydraulic kit discs tracers DS610-1100	1 909,00
DOM8-13-508	Sowing ramp Ø35 - 3.00 m	530,00	DOM8-20-036	Hydraulic kit discs tracers DST1100	1 909,00
DOM8-13-509	Sowing ramp extension 1.50 m	224,00	DOM8-20-037	Hydraulic kit discs tracers DS1400	1 909,00
DOM8-13-511	Sowing ramp extension 1 m	198,00	DOM8-20-038	Hydraulic kit discs tracers DST1400	1 909,00
DOM8-13-512	Sowing ramp Ø40 - 3 m	698,00	DOM8-20-043	Hydraulic kit discs tracers 3 m mounted	1 909,00
DOM8-13-517	Sowing ramp Ø35 - 4 m	633,00	DOM8-20-047	Hydraulic kit discs tracers 4 m	1 909,00
DOM8-13-518	Sowing ramp Ø35 - 2,5m	493,00	DOM8-20-048	Hydraulic kit discs tracers 4 m trailed	1 909,00
DOM8-13-520	Sowing ramp Ø40 - 4 m	792,00	DOM8-20-631	Kit support hydraulic discs tracer	78,00
DOM8-13-524	Arm of sun wheel	1 039,00	DOM8-20-662	Hydraulic support	74,00
DOM8-13-525	Sun wheel for AGR3000	1 188,00	DOM8-23-007	Disc tracers for central tracing 3m	4 662,00
DOM8-13-526	Sowing ramp Ø35 - 3.50 m	548,00	DOM8-23-008	Discs tracers for DST1100 trailed	4 662,00
DOM8-13-532	individual seeding elements 2 x Ø35 (fixing 2 x Ø20)	162,00	DOM8-23-009	Disc tracers for DOM Gold 4m mounted	4 662,00
DOM8-14-010	Kit Standard Beam for flexi pack	3 033,00	DOM8-23-010	Kit tracers discs for DST1400 trailed	4 662,00
DOM8-14-025	Kit Frame flexi pack 3.00	3 873,00	DOM8-23-019	Left-hand disc tracer for DS610-1100-1400	2 205,00
DOM8-14-503	Draw bar, Kit trailed	1 989,00	DOM8-23-020	Right-hand disc tracer for DS610-1100-1400	2 205,00
DOM8-14-520	Flexi-pack roller anchoring	1 621,00	DOM8-23-021	Left-hand disc tracer 3 - 3.5 - 4 m rigid	2 205,00
DOM8-14-530	Drawbar for coupling (Flèche pour piton d'attelage Timon Super)	2 686,00	DOM8-23-022	Right-hand disc tracer 3 - 3.5 - 4 m rigid	2 205,00
DOM8-15-004	Axle kit for lighting DOM8 SUPER	33,20	DOM8-23-029	Disc tracers for DOM Gold 3m mounted sem pneum	4 710,00
DOM8-15-501	Locking pin cylinder	100,00	DOM8-23-030	Disc tracers for central tracing 3m rigid trailed sem pn.	4 710,00
DOM8-15-509	Axle swivel arm of roller	78,00	DOM8-23-526	Swivel block left-hand	488,00



Code	Description	Unit Price E	Code	Description	Unit Price E
DOM8-23-530	Swivel block right-hand	488,00	EN12	Nut Nylstop M12 - 8.8 - white zinc-coated	0,40
DOM8-23-633	Bolt	5,40	EN14	Nut Nylstop M14 - 8.8 - dichromate	0,50
DOM8-25-601	Levelling share	19,30	EN16	Nut Nylstop M16 - 8.8 - zinc-coated white	0,70
DOM8-ET-001	Sticker kit DOM SUPER Rigid	71,00	EN18	Nut Nylstop M18 - 8 - zinc-coated	1,00
DOM8-ET-002	Sticker kit DOM SUPER Folding	71,00	EN20	Nut Nylstop M20 - 8.8 - bichromated	1,20
DOM8-ET-003	Sticker kit DOM SUPER Trailed	71,00	EN24	Nut Nylstop M24 - 8.8 - bichromated	1,20
DOM8-ET-004	Sticker kit DOS SUPER Rigid	71,00	EN28	Nut Nylstop M28 - 8 - yellow bichromated	2,10
DS1100-001	Hopper kit 1100L	6 526,00	EN30	Nut Nylstop M30 - 8.8 - bichromated	4,50
DS1400-004	Gangway kit 4 m	2 903,00	EN33	Nut Nylstop M33 - 8.8 - white zinc-coated	14,10
DS610-010	Hydraulic field marking kit	1 832,00	EPFFN12-109	Nut Nylstop M12 - 10.9 with metric fine thread	0,40
DS610-013	Small seeds chamber kit	756,00	EPFFN20-109	Nut Nylstop M20 - 10.9 with metric fine thread	1,20
DS610-13-002	Small seeds chamber kit	55,00	EPFN20	Nut Nylstop M20 - 8.8 with metric fine thread	1,30
DS610-13-003	Small seeds chamber kit	34,20	EPFN30-109	Nut Nylstop M30 - 10.9 with metric fine thread	5,10
DS610-13-601	Small seeds chamber kit	50,00	ESS-506	Hub kit heavy duty	360,00
DS610-13-602	Small seeds chamber kit	52,00	ESS-524-501	Slack spindle 3D +	183,00
DS610-13-622	Small seeds chamber kit	77,00	ESS-524-607	Demi cache poussière	12,80
DS610-13-624	Small seeds chamber kit	136,00	ESS-524-608	Plastic dust protection	15,00
DS610-13-625	Small seeds chamber kit	21,40	ESS-531-501	Slack spindle	153,00
DS750-010	250 litre side-extension	603,00	ESS-531-605	"Nilos" seal (30206)	12,80
DSF1500-010	500 litre side-extension	849,00	ESS-531-607	Plastic dust protection	10,70
DSF1500-020	500 litre side-extension	1 697,00	ESS-531-608	Cross piece washer	11,80
DSF1500-030	1500 L extension kit	2 544,00	ESS-540	Heavy duty welded hub kit	294,00
DVC32X10-001	Vibrating tine kit with shine share	34,20	ESS-540-502	Hub element	177,00
EA06	Wing nut M6	3,10	ESS-540-503	Vineyard Super hub cap	27,80
EC20	Crenel nut H - M20 - 8 - zinc*	12,90	ESS-540-609	Washer for hub	25,70
EDR14	Wheel nut M14	10,70	ESS-540SCP	Hub kit welded without plastic dust protection	230,00
EDR18	Wheel nut M18	12,90	ESS-541	Hub culture with lubricator	242,00
EH08	Nut H - M 8 white zinc-coated	0,10	ESS-541-502	Hub body	136,00
EH10	Nut H - M10 - 8 white zinc-coated	0,20	ESS-543	Hub coulter circular	317,00
EH12	Nut H - M12 - 8 yellow bichromated	0,30	ESS-547	Double Hub	419,00
EH16	Nut H - M16 - 8.8 - white zinc-coated	0,60	ESS-548	Ø100 bolted hub total safety with no maintenance	240,00
EH20	Nut H M 20 - 8.8 - bichromate	1,10	ESS-556	Ø 80 bolted hub total safety with no maintenance	193,00
EH24	Nut H M 24 - 8.8 - white zinc-coated	1,10	ESS-562	Kit moulded hub Flexipack	241,00
EN04	Nut Nylstop M4 - 8.8 - bichromated yellow	0,20	ESS-562-603	Hub shaft Flexi-pack	184,00
EN05	Nut Nylstop M5 - 8.8 - bichromated yellow	0,20	ESS-568	Ø 80 bolted hub total safety with no maintenance	202,00
EN06	Nut Nylstop M06 - 8.8 - dichromate	0,20	ESS-568-601	Ø 80 bolted hub total safety with no maintenance	116,00
EN08	Nut Nylstop M08 - 8.8 - white zinc-coated	0,30	ESS-568-603	Ø 80 bolted hub total safety with no maintenance	135,00
EN10	Nut Nylstop M10 - 8.8 - bichromated	0,30	ESS-574	Robust Hub Ø18	333,00



Code	Description	Unit Price E	Code	Description	Unit Price E
ESS-575	Hub SUPER 2 x Ø20	287,00	GE06-30	Elastic pin Ø6x30	1,20
ESS-575-601	ROBUST : Ø 100 bolted hub total safety (Fût)	183,00	GE06-60	Elastic pin Ø6x60	1,20
ESS-575-603	ROBUST : Ø 100 bolted hub total safety (Fusée)	174,00	GE08-30	Elastic pin Ø8x30	1,30
ESS-590	Complete hub kit COMBI-O-SEM	212,00	GE08-45	Elastic pin Ø8x45	1,40
ESS-590-601	Hub shaft	105,00	GE08-60	Elastic pin Ø8x60	1,40
ESS-590-602	Hub shaft	120,00	GES5-24-E	Spiral elastic pin Ø5x24	1,10
ESS-592	Mounted axle with brake	1 538,00	GM8-38	Motoculture pin Ø8x30 - S12795	3,20
ETIQ-002	Set of stickers Combiplow 32S	35,30	GRAI-501	Grease gun M8x1.25 bent to 90°	4,30
ETIQ-019	Set of stickers Combimulch	35,30	GRAI-502	Grease gun M8x1.25 right-hand	2,10
ETIQ-601	AGRISEM sticker 700mm	7,00	GRT-110-90	Scraper for Packer roller	12,80
ETIQ-869	Label signalisation ramp	4,30	HP2J3570	Cylinder joint kit V350700200	66,00
ETIQ-872	Stickers "left multistop" for DOM24	5,40	HP2J60100	Cylinder joint kit	100,00
ETIQ-873	Stickers "right multistop" for DOM24	5,40	JAL-20-35-08	Seal Øint: 20 et Øext: 35	35,00
ETR-501	Stirrup Ø 16X120 (étrier)	17,10	JCA-25X52X12	Tight joint Ø25x52x12	26,00
ETR-504	Stirrup 20x120	19,30	JCA-35X65X17	Tight joint Ø35x65x17	31,00
ETR-504-EN20	Clamp kit Ø20 x 120 with 4 nuts M20	43,00	JCA-45X70X17	Floating seal diam. 45x70x17 - ESS-568 (Joint cassette)	38,00
ETR-507	Stirrup Ø12 x 60	11,80	JCA-56X80X14.5	Floating seal diam. 56X80X14.5 - ESS-548 (Joint cassette)	45,00
ETR-511	Clamp square Ø12-35	10,70	JPB-6.5	Windscreen joint lg: 300	21,70
ETR-516	Stirrup Ø16 x 100	15,00	JT57-4	doughnut ring 72,NBR,872 Ø57x4	6,80
ETR-517	Stirrup Ø24 x 120	23,50	JT64-4	Doughnut ring 72,NBR,872 Ø64x4	9,40
ETR-517-EN24	Pair of stirrups for 120 beam with 2 nuts for PFM-605	52,00	JT68-3	Doughnut ring - Ø68x3	9,60
ETR-520	Stirrup Ø8 x 90 (Etrier)	8,60	JT68-4	Doughnut ring - Ø68x4	10,60
ETR-523	Square stirrup Ø24 x 200	33,20	JT85-4.5	Doughnut ring 72,NBR.872 Ø85 x 4.5	11,20
ETR-526	Clamp square Ø20-150	63,00	JT92-4	doughnut ring 72,NBR,872 Ø92x4	12,50
FAM-N3	Hand brake n°3 (Servit type)	88,00	JT99-3	Doughnut ring 99 x 3 nitrile	12,50
GAC06-024	Pin of adjustment Ø6 x 24mm	2,10	JXAV-35-60-4.5	Joint Nilos 32007 XAV	28,20
GAC10-045	Pin of adjustment Ø10 x 45mm	3,20	JXAV-55-88-4.6	Nilos seal 55x88x4.6	31,80
GAF8	Duct Øinside 8 mm ; lg = to determinate	26,80	K/TGSS/MK3/UK	Radar sensor kit	899,00
GB3-10-18	Pin bolt béta - Ø3x10-18	1,10	K-CUT-OUT-013	Switch kit - (for Area Cutout)	171,00
GB4-12-22	Pin bolt béta - Ø4x12-22	1,70	KM10	Nut KM-M50 x 1.5	19,00
GB5-16-27	Pin bolt béta - Ø5x16-27	2,70	KM6	Notched nut M30x1.5	9,20
GB7-25-38	Pin bolt béta Ø25 to Ø38	3,60	KM7	Nut KM-M35 x 1.5	12,00
GC10	Pin Ø10 clips	2,80	KM9	Nut KM9 (ESS 548)	12,50
GC18-55	Spline screw M18 x 55	9,50	KS01-11-001	Reflective safety plates kit for front	349,00
GC6	Pin Ø6 clips	1,60	KS01-11-002	Reflective safety plates kit	465,00
GC8	Pin Ø8 clips	2,10	KS01-11-003	Lighting kit with lamps and reflective safety plates	627,00
GCC6-30	Spline pin cylindrical Ø6x30	1,10	KS01-11-006	Rear lighting kit	188,00
GE04-35	Elastic pin Ø4x35	1,10	KS01-11-009	Supply lead 7 poles 4M	54,00

Code	Description	Unit Price E	Code	Description	Unit Price E
KS01-11-010	Supply lead 7 poles - 8M	96,00	LAMD-6300	Right-hand Agrisem blade 20x600	771,00
KS01-11-011	Lighting kit with lamps and reflective safety plates for rear	712,00	LAMD-7200	Right-hand Combiplow blade 720	898,00
KS01-11-014	Rear reflective safety plates kit	954,00	LAM-ECOP-511	Blade-ploughshare Ecoplow 20x510 left-hand	689,00
KS01-11-016	Lighting fixing kit	241,00	LAM-ECOP-512	Blade-ploughshare Ecoplow 20x510 right-hand	689,00
KS01-11-017	Reflective safety plates kit for front	403,00	LAMG-6300	Left-hand Combiplow blade 600	771,00
KS01-11-018	Supply lead 7 poles - 11m	169,00	LAMG-7200	Left-hand Combiplow blade 720	898,00
KS01-11-051	Reflective safety plates kit	578,00	LDU14R	Unidirectional output limiter 1/4" gas	94,00
KS01-11-052	Lighting kit with lamps and reflective safety plates	896,00	LTX586-630	Scraper for Agrix	18,20
KS01-11-063	Reflective safety plates kit front and rear without	896,00	MANO-0-100MB	Ø68 manometer - 0/100 mbar	198,00
KS01-11-065	Reflective safety plates kit front and rear for folding MAXIMULCH	1 395,00	MANU-BOX-055	User manual box	25,70
KS01-11-066	Lighting kit DOM Super Folding	896,00	MB10	Washer MB Ø50	13,90
KS01-11-090	Lighting kit with lamps SUPER folding	1 126,00	MB6	Washer brake Ø30	3,20
KS01-11-502	Lighting ramp support	362,00	MB-60	Grip MB60 for drill AGR3000	21,40
KS01-11-503	Support left-hand reflective safety plates kit	112,00	MB-61	Drain plate	529,00
KS01-11-504	Support right-hand reflective safety plates kit	112,00	MB-63	box of draining	884,00
KS01-11-505	Ramp for front of reflective safety plates	180,00	MB7	Lock washer MB Ø35	4,90
KS01-11-506	Support reflective safety plates rear right	152,00	MB9	Lock washer MB9	5,40
KS01-11-507	Support reflective safety plates rear left	152,00	MCM-25-03	Clips bearing Ø25-3	5,90
KS01-11-601	Front signaling support	132,00	ME-2810610	Reflector round orange	5,40
KS01-11-603	Left back signaling support	153,00	ME-2851610	Reflector round adhesive orange	4,30
KS01-11-604	Right back signaling support	153,00	ML-040101	Spring for cams return	8,60
KS01-11-605	Signaling male arm	62,00	MM02-07-001	Stand kit Maximulch folding	340,00
LAM20-590D-C1	Kit complte balde 20 x 590 right hand	565,00	MM02-14-013	Long arm kit Flexi-pack Maximulch	1 336,00
LAM20-590G-C1	Kit complete balde 20 x 590 left hand	565,00	MM02-14-630	Flexi-pack arm Maximulch with spur	676,00
LAM20-591-C1	Left-hand Blade with carbide (Lame Carbure 590 G avec 6 plaquettes)	348,00	MM02-ET-001	Sticker kit Maximulch rigid	71,00
LAM20-592-C1	Right-hand Blade with carbide (Lame Carbure 590 D avec 6 plaquettes)	348,00	MM02-ET-003	Sticker kit Maximulch folding	71,00
LAM-431	Left-hand Agrisem blade 12x430	347,00	MM04-03-002	Spring safety device 28 (Sécurité ressort 28)	1 048,00
LAM-432	Right-hand Agrisem Blade 430 (Lame Agrisem 430 droite)	347,00	MM04-03-011	Blade extension for spring security 28	216,00
LAM-501	Left-hand Agrisem blade 500	548,00	MM08-03-001	Spring safety device for MAXIMULCH	1 495,00
LAM-502	Right-hand Agrisem blade 500	548,00	MM08-03-632	Right wing for Maximulch série 5	13,00
LAM-611	Left-hand AGRISEM blade 610 (Lame Agrisem 610 gauche)	898,00	MM08-03-633	Left wing for Maximulch série 5	13,00
LAM-612	Righ-hand AGRISEM blade 610 (Lame Agrisem 610 droite)	898,00	MM1-06-503	Right-hand arm roller	371,00
LAM-721	Blade Agrisem 730 left-hand without shares	1 000,00	MM1-06-504	Left-hand arm roller	371,00
LAM-722	Blade Agrisem 730 right-hand without shares	1 000,00	MS52-16-8	Left-hand arm rollerØ8-52x16 chain - length : 0.29m	24,60
LAM-731	Left-hand Agrisem blade 20x735	1 000,00	OR3075	Ø19-2.55 doughnut ring	13,90
LAM-732	Right-hand Agrisem blade 20x735	1 000,00	PAF	Servit pulley to fix	30,00
LAM-851	Left-hand Agrisem blade 25x850	1 373,00	PAL-502	Oval bearing wall light Ø50	66,00
LAM-852	Right-hand Agrisem blade 25x850	1 373,00	PAL-504	Bearing Ø 60 - 4 holes	86,00

Code	Description	Unit Price E	Code	Description	Unit Price E
PAL-510	Bearing without lubrication	107,00	QC-703002	Ring	6,80
PAL-515	Standard bearing cast cage Ø20 (Palier Ø20)	24,60	QC-703010	Washer	1,40
PASD02	Welding plate for double collar Ø13	5,40	QC-711950	Knife support for weld on BR57	18,20
PEINT-03	Yellow painting	27,80	QC-722547	Shelf bracket blade for FR60	13,90
PIGN12.7-14-2	Pinion - 08B1 - 14 teeth -12.7 -Ø30	75,00	QC-722548	Shelf bracket blade for FR60	13,90
PIGN12.7-16-3	Pinion 16 teeth - 12.7 - Ø20	118,00	R04M	Medium washer Ø4	0,60
PIGN12.7-17-1	Pinion - 08B1 - 17 teeth -12.7 -Ø17.5	175,00	R06M	Average washer Ø6 - yellow electro zinc	0,60
PIGN12.7-18-2	Pinion - 08BD1 - 18 teeth -12.7 -Ø30	78,00	R08M	Medium washer Ø8	0,70
PIGN12.7-21-1	Pinion - 08B1 - 21 teeth -12.7 -Ø20	89,00	R10L	Flat washer large Ø10	1,00
PIGN12.7-21-2	Pinion -21 teeth -12.7 -Ø30	67,00	R10LL	Flat washer very large Ø10	1,10
PIGN12.7-21-9	Pinion - 08B1 - 21 teeth -12.7 -Ø30	51,00	R10M	Medium washer Ø10	0,90
PIGN12.7-23-1	Pinion 23 teeth -12.7 -Ø20	180,00	R12LL	Flat washer very large Ø12	1,40
PIGN12.7-31-1	Pinion - 31 teeth -12.7 -Ø30	188,00	R12M	Flat washer Ø12 medium white zinc-coated	1,00
PIGN12.7-32-3	Pinion - 08B1 - 32 teeth -12.7 -Ø30	116,00	R14M	Washer medium Ø14	1,20
PIGN9.52-12-2	Pinion - 06B1 - 12 teeth -Ø9.52 machined	56,00	R16M	Washer medium Ø16	1,50
PIGN9.52-15-1	Machined pinion 06B1 - 15 teeth - 9.52	60,00	R18M	Washer flat medium Ø18	1,60
PIGN9.52-18-2	Machined pinion 06B1 - 18 teeth - 9.52	62,00	R20L	Washer flat very large Ø20	2,10
PIGN9.52-21-2	Machined pinion 06B1 - 21 teeth - 9.52	66,00	R20M	Washer medium Ø20	2,00
PIGN9.52-23-1	Machined pinion 06B1 - 23 teeth - 9.52	71,00	R22M	Washer flat Ø22 white zinc-coated	2,10
PIGN9.52-27-1	Machined pinion 06B1 - 27 teeth - 9.52	73,00	R24M	Washer medium Ø24 - white zinc-coated	2,10
PIGN9.52-31-1	Machined pinion 06B1 - 31 teeth - 9.52	75,00	R27M	Washer medium Ø27 - white zinc-coated	2,40
PIGN9.52-35-1	Machined pinion 06B1 - 35 teeth - 9.52	85,00	R30M	Washer medium Ø30	3,00
PIGN9.52-40-1	Machined pinion 06B1 - 40 teeth - 9.52	94,00	R33M	Washer medium Ø33 - white zinc-coated	3,30
PJM00038	Set of cylinder seals	90,00	RAC-HR45	Scraper kit for PACKER (sraper + screw)	17,10
PL-040201	Seed distributor roller	41,70	RB16	Bellville washer Ø16	5,40
PL-040205	Covering part with removable element	22,50	RBS2012	Spherical trap 1/2'	67,00
PL-050300	Funnel of sowing line tube	22,50	RC400-125	Ø400 roller cage - 1.25m	2 353,00
PL-050301	Support of funnel	16,10	RC400-155	Ø400 roller cage - 1.55m	1 639,00
PM3530SY	Ring Øext 39 - Øint 35 - length 30	7,50	RC400-175	Ø400 roller cage - 1.75m	1 923,00
PM6-94	Manutention grip Ø6-94	15,00	RC450-350	Roller cage Ø450 x 3,50m (Rouleau cage)	1 834,00
PTR-06B1	Tightening pinion 06B1	89,00	RC450-400	Roller cage Ø450 x 4,00m (Rouleau cage)	2 373,00
QC-001149	Stop Ring	0,50	RC520-06-700	Attachment roller	30,00
QC-004115	Nut for fixing hammer BRL37	0,60	RC521-225	Roller cage Ø521 x 2,25m (Rouleau cage avec bouts d'arbres taraudés)	2 694,00
QC-622603	HR45 knife Left	37,50	RC526-100	Reinforced Russian roller Ø526 x 1,00m	1 549,00
QC-622604	HR45 knife Right	37,50	RDC6	Washer contact Ø6	1,00
QC-701396	Toothed Hammer for BRL37	34,20	RDC8	Washer contact Ø8	1,10
QC-703000	Axle	17,10	RDE6	Washer with set of teeth exterior Ø6	0,60
QC-703001	Ring	6,80	RDS-601	RDS 4 Wire Capacitance Sensor	105,00

Code	Description	Unit Price E	Code	Description	Unit Price E
RDS-602	5m S& T Shaft Speed Sensor	101,00	RFC550-250D	Spiral roller Ø550x2.50m right-hand	3 390,00
RDS-624	Magnet Ø16.5 - 4.5x7	80,00	RFC550-250G	Spiral roller Ø550x2.50m left-hand	3 390,00
RDS-651	Gen RDS MFDC 100 J/B Assy	449,00	RFC550-300	Flexi-Coil roller Ø550 x 3,00m	4 175,00
RDS-652	MFDC 100 - P Wizard Head Unit	945,00	RFC550-350	Flexi-Coil roller Ø550 x 3,50m	4 870,00
RDS-653	Rallonge Cardon d'alimentation tracteur - 4m	294,00	RFC550-400	Flexi-Coil roller Ø550 x 4,00m	5 564,00
RDS-701	Single Motor Artemis Kit (Kit Artemis simple moteur)	5 389,00	RJZ12	Washer with inner-cogs Ø12	1,10
RDS-702	PSi Armetis kit (Kit moniteur PSi Artemis)	1 395,00	RJZ14	Washer with inner-cogs Ø14	0,90
RDS-703	Second Motor Artemis Kit (Kit Artemis deuxième moteur)	2 605,00	RKC5-7	Connector M12 - 5 contact - female	41,70
RDS-707	4m extension cable kit	379,00	RL30-128-68	Free wheel	1 147,00
RDS-708	DGPS receiver	817,00	ROUE-503	Ø588x177 (6.50-10) 5 holes	312,00
RE05	Elastic washer Ø5 - bichromated	0,30	ROUE-505	Ø1250x550 wheel low pressure	1 619,00
RE10	Elastic washer Ø10 - zinc white	0,50	ROUE-506	Ø860x400 wheel low pressure	525,00
RE12	Elastic washer Ø12 - zinc white	0,60	ROUE-524-L	Left wheel (700x12) - 5 holes	282,00
RE14	Elastic washer Ø14 - zinc white	0,60	ROUE-524-R	Right wheel (700x12) - 5 holes	282,00
RE16	Elastic washer Ø16 - bichromated	1,00	ROUE-528	RC wheel (800/45x26.5/16)	4 767,00
RE18	Elastic washer Ø18 - white zinc	0,40	ROUE-532	1020x400 wheel low pressure	1 165,00
RE20	Elastic washer Ø20 - zinc white	1,20	ROUE-535	Wheel Ø765x262-10.5/65x16/14	348,00
RE24	Elastic washer Ø24 - zinc white	1,40	ROUL-502	Rolling with conics rollers 32210	57,00
RE6	Elastic washer Ø6 - zinc white	0,40	ROUL-503	Rolling with conics rollers 32011X	48,00
RE8	Elastic washer Ø8 - bichromated	0,50	ROUL-504	Rolling with conics rollers 32206	19,00
REN012	Breather 1/2 " Gaz	11,80	ROUL-509	Rolling with conics rollers 32007X	32,00
REN014	Breather 1/4" gas	38,50	ROUL-510	Bearing 3309 2RS1 (ESS548)	31,00
RES-514	Spring for disc coultter 35x35 right-hand	419,00	ROUL-512	Culture Bearing 3307 - 2RS1 (ESS-556)	26,00
RES-515	Spring for disc coultter 35x35 left-hand	419,00	ROUL-515	(Bearing) Roulement à billes Ø30x55x13 avec joint	6,40
RES-601	Draft spring Ø2-Ø20-100	3,20	ROUL-516	Rigid balls bearings 6203 2RS1	5,40
RES-602	Draft spring Ø4-Ø30-210	18,20	ROUL-521	Balls bearings with contact	19,00
RES-603	Draft spring Ø3.6-Ø25-176	20,30	RS19	Anti-return valve 3/4 gas	83,00
RES-607	Spring free length 520mm	207,00	RSP701-06-001	Scaper kit for steel pack roller	62,00
RES-619	Lefthand spring for short arm Ø20mm (Ressort gauche bras court fil 20)	56,00	RSP701-06-631	Scraper for steel pack roller	19,30
RES-622	Righthand spring for long arm Ø22mm (Ressort droit bras long fil Ø22)	71,00	RT620-06-503	3,50m Sraper (Décrottoir 3,50m)	1 335,00
RFC550-050D	Flexi-Coil roller Ø550 x 0,50m	1 518,00	RT620-06-507	Scraper Reinforcement (Renfort décrottoir)	174,00
RFC550-050G	Flexi-Coil roller Ø550 x 0,50m	1 518,00	RT620-06-510	1,00m Scraper	652,00
RFC550-100D	Flexi-Coil roller Ø550 x 1,00m	2 014,00	RT620-100	1,00m "T" Roller	1 891,00
RFC550-100G	Flexi-Coil roller Ø550 x 1,00m	2 014,00	RT620-350	3,50m T roller (Rouleau T 3,50m)	4 098,00
RFC550-150D	Flexi-Coil roller Ø550 x 1,50m	2 290,00	RVM40	Ball joint Ø40 - M39x3	64,00
RFC550-150G	Flexi-Coil roller Ø550 x 1,50m	2 290,00	S.15011	Ø19x55 axle	12,80
RFC550-200	Flexi-Coil roller Ø550 x 2,00m	2 858,00	S.15025	Ø22x55 hitch pin	16,10
RFC550-225	Flexi-Coil roller Ø550 x 2,25m	3 103,00	S.19791	Axle	8,60

Code	Description	Unit Price E	Code	Description	Unit Price E
S/AC/268-6-043	Motor assembly	1 708,00	SEM01-26-700	Tightness joint distribution	10,70
S/CB/318-1-021	Instrument extension cable - 4m	182,00	SEM01-27-001	Fluting kit	1 605,00
S/CB/500-1-074	Power cable - Tractor	492,00	SEM01-27-002	Drive shaft	226,00
S15187	Thrust bar 840/1130	141,00	SEM01-27-010	Tightness kit small flutings	95,00
S3008	Reduction ring 3 point cat2/cat3	9,60	SEM01-27-015	Tightness kit large flutings	234,00
S8385	Fastener	22,50	SEM01-27-025	Box r=12/17	308,00
SAH50102-001	Cylinder kit 50x100 course=200 mm	1 026,00	SEM01-27-028	Reduced output distribution box	371,00
SAV-TCS-LAM-751	Left-hand TCS blade 30x750	847,00	SEM01-27-030	Order kit fluting	293,00
SAV-TCS-LAM-752	Right-hand TCS blade 30x750	847,00	SEM01-27-031	Guide kit fluting set rotation	138,00
SC6	Cable strap 6 mm	4,30	SEM01-27-035	Tightness mudguard kit	54,00
SEM01-21-015	Bonnet distribution kit	293,00	SEM01-27-601	Collar tightness for small flutings	119,00
SEM01-21-020	Case kit fluting right-hand	144,00	SEM01-27-605	Collar tightness for large flutings	171,00
SEM01-21-021	Case kit fluting left-hand	144,00	SEM01-27-606	Tightness ring large flutings	83,00
SEM01-21-501	Case flting right-hand	168,00	SEM01-27-607	Abutment for tightness kit large flutings	34,20
SEM01-21-504	Case flting left-hand	168,00	SEM01-27-608	Secondary tightness ring large flutings	83,00
SEM01-21-505	Reverse gear box	137,00	SEM01-27-610	Large flutings	314,00
SEM01-21-625	Bonnet distribution	288,00	SEM01-27-611	Small flutings	249,00
SEM01-25-601	Spring of trap door seed valve	44,00	SEM01-27-612	Measurung cylinder	142,00
SEM01-25-606	Compression spring Ø0.8-Ø10	5,40	SEM01-27-615	Ring tightness small flutings	120,00
SEM01-25-610	Traction spring Ø1-10-70 (Ressort de traction Ø1-10-70)	21,40	SEM01-27-620	Control bracket flutings train	91,00
SEM01-26-001	Distribution kit Ø70	6 793,00	SEM01-27-635	sealing flap	25,70
SEM01-26-002	Locking kit fluting set	33,20	SEM01-27-636	Bearing carrier alu Ø17 distribution	36,40
SEM01-26-003	Discharge spout kit	103,00	SEM01-27-637	Bearing carrier alu Ø20 distribution	56,00
SEM01-26-004	Venturi kit Ø70mm	629,00	SEM01-28-001	Hopper kit without side-extension	1 345,00
SEM01-26-005	Small tightness ruler kit	50,00	SEM01-28-603	pnematic seed drill lid	282,00
SEM01-26-006	Proportioning trap kit - Ø70	311,00	SEM01-29-005	Blower kit without motorization Ø160mm	2 309,00
SEM01-26-007	Drain trap kit	171,00	SEM01-29-010	Equipped rotor turbine	1 517,00
SEM01-26-010	Ø90 distribution	6 874,00	SEM01-29-022	Fitting kit Ø160	1 098,00
SEM01-26-014	Ø90 - venturi kit	586,00	SEM01-29-024	Fitting kit Ø150	1 098,00
SEM01-26-016	Proportioning trap kit - Ø90	311,00	SEM01-29-510	Air manifold 2 outlets Ø160mm	877,00
SEM01-26-501	Distribution kit Ø70	2 369,00	SEM01-29-512	Air manifold 2 outlets Ø150mm	877,00
SEM01-26-510	Drain ramp outlet distribution	28,90	SEM01-29-523	Slotted plate filtration	302,00
SEM01-26-515	Stainless dosing trap body venturi - Ø70	279,00	SEM01-30-050	Repartition kit Ø90 - 16 x Ø35 TC	546,00
SEM01-26-520	Distribution - Ø90	2 356,00	SEM01-30-060	Distribution head 16 outlets Ø35 (per unit) Ø90 without tube (1,5)	299,00
SEM01-26-625	Closing carter kit fluting	41,70	SEM01-30-080	Repartition kit Ø90 - 24 x Ø35	2 199,00
SEM01-26-630	Hopper seed valve slide	15,00	SEM01-30-090	Repartition kit Ø90 - 16 x Ø35	482,00
SEM01-26-645	Right-hand discharge spout	64,00	SEM01-30-091	Distribution head 24 outlets Ø35 (per unit) Ø90 (16kg)	1 945,00
SEM01-26-665	Venturi nozzle exit cone Ø90 (Cône sortie venturi Ø90)	375,00	SEM01-30-092	Repartition kit Ø90 - 24 outlets - With straight tube	1 977,00



Code	Description	Unit Price E	Code	Description	Unit Price E
SEM01-30-110	Agrisem tramline valves	467,00	SEM04-13-005	SUN WHEEL ARM KIT FOR DSF 1500 (Kit de bras de roue soleil)	1 757,00
SEM01-30-112	Repartition kit Ø70mm - 10 outlets Ø35	471,00	SEM04-13-505	Arm sun wheel	1 182,00
SEM01-30-113	Repartition kit Ø70 - 10 outlets Ø35 (straight tube)	407,00	SEM04-13-614	Idler roller chains	47,00
SEM01-30-121	Distribution head Ø 70 - 10 x Ø35	268,00	SEM04-13-619	Sheet metal of closing	15,00
SEM01-30-502	Assembled body repartition Ø70	855,00	SEM04-13-621	Distance spacer Ø85-Ø65-144	101,00
SEM01-30-509	Moulded body repartition head Ø90	311,00	SEM04-20-001	Hydraulic kit lift sun wheel	554,00
SEM01-30-512	Curved distribution tube Ø90 for Ø35 (Conduit de répartition coudé)	418,00	SEM04-20-003	Hydraulic flexible kit	170,00
SEM01-30-530	Air manifold Ø160 and 4 outlets Ø90	888,00	SEM04-21-001	Distribution drive kit DSF1500	424,00
SEM01-30-534	"Y" coupling Ø90mm	209,00	SEM04-21-002	Distribution drive kit DSF1500 24	494,00
SEM01-30-604	Repartition head plug Ø70-16	486,00	SEM04-21-003	Distribution drive kit DSF1500-16	424,00
SEM01-30-626	Plug Ø32mm for repartition head	11,80	SEM04-21-004	Distribution drive kit DSF1500 24S	494,00
SEM01-30-633	Moulded repartition head plug Ø90	147,00	SEM04-22-601	Chain pas 12.7 - 69 links	15,00
SEM01-30-634	Agrisem hub cap	33,20	SEM04-28-000	Hopper kit 1500L	3 513,00
SEM01-30-710	Inside cap Ø29	11,80	SEM04-28-003	Hopper kit 3000L	5 888,00
SEM01-31-006	Hydraulic blower kit 16 cm3	2 311,00	SEM04-28-005	Hopper tarpaulin kit 1500L	743,00
SEM01-31-010	Hydraulic kit blower kit 14 cm3	1 319,00	SEM04-28-512	Extension tarpaulin support tube	78,00
SEM01-32-501	Assembled PVC tube	368,00	SEM04-28-605	Window	18,20
SEM02-03-001	Body kit row marker Ø450 right-hand	552,00	SEM04-28-642	Plate for extension assembly	20,30
SEM02-03-002	Body kit row marker Ø450 left-hand	552,00	SEM04-30-050	Electrical box kit	2 309,00
SEM02-13-002	Arm kit track idler	120,00	SEM04-32-002	Kit lengthens frontal hopper	960,00
SEM02-13-003	Sun wheel support kit (beam 120)	368,00	SEM04-32-003	Manometer kit	170,00
SEM02-13-505	Support for beam of 120	336,00	SEM05-01-734	Crank	80,00
SEM02-13-525	Sun wheel	754,00	SEM05-13-005	Sun wheel arm kit	3 772,00
SEM02-13-603	Exit pin of driving wheel	294,00	SEM05-13-007	Sun wheel drive chain	37,50
SEM02-13-684	Distance spacer	36,40	SEM05-13-508	Sun wheel arm	805,00
SEM02-21-010	Drive kit simple distribution	427,00	SEM05-13-509	Sun wheel	1 279,00
SEM02-23-506	Kit disc tracers	155,00	SEM05-13-618	Tension pulley chain	43,00
SEM03-13-003	Sun wheel kit for DS750 on DOM8	1 757,00	SEM05-13-619	Wheel axle	120,00
SEM03-19-020	Repartition head support kit	249,00	SEM05-13-623	Distance spacer	7,50
SEM03-19-520	Repartition head support Ø90	241,00	SEM05-13-683	Crankthrow sun wheel	381,00
SEM03-30-052	Electronic field marking kit for DS-750/1000	165,00	SEM05-13-687	Pinion distance spacer	27,80
SEM03-30-053	Electronic field marking kit for DS-750/1000	154,00	SEM10-13-001	Sun wheel arms kit	1 757,00
SEM03-30-054	Electronic field marking kit for DS-750/1000	116,00	SEM10-13-002	Arm kit of tension pulley	131,00
SEM03-30-056	Valves for electronic field marking kit for DS-1500/2000	957,00	SEM10-13-003	Sun wheel drive chain	35,30
SEM04-11-002	Headlight kit with signalisation plaque	1 013,00	SEM10-13-501	Sun wheel	957,00
SEM04-11-100	Headlight kit with signalisation plaque	257,00	SEM10-13-502	Removable Sun wheel (Roue soleil démontable)	617,00
SEM04-12-001	Lift kit sun wheel	98,00	SEM10-22-003	Link belt DS610	37,50
SEM04-13-002	Arm kit track idler	139,00	SEM10-28-004	Gangway 3m	2 911,00



Code	Description	Unit Price E	Code	Description	Unit Price E
SEM10-28-005	Variator drive chain	39,60	SEM14-13-620	Electrical drive for DS580	2 153,00
SEM10-28-021	Gangway kit DOS 610 SUPER 3M	2 297,00	SEM14-20-002	Hydraulic kit sun wheel lift	554,00
SEM10-28-508	Sun wheel arm (Bras de roue soleil)	702,00	SEM14-22-010	Pinion kit straightener device	151,00
SEM10-28-511	Tension pulley arm	54,00	SEM14-22-011	Kit intermediate transmission DS580	174,00
SEM10-28-525	Sun wheel spring hook (Crochet de ressort roue soleil)	55,00	SEM14-22-014	Chain maintenance ladder	21,40
SEM10-28-541	3,00m Gangway floor (Plancher de passerelle)	1 640,00	SEM14-22-015	Chain kit transmission front DS580	37,50
SEM10-28-542	Lower body guard for gangway (Garde corps inférieur)	363,00	SEM14-22-016	Chain kit with fast fastener	63,00
SEM10-28-543	Removable upper body gard (Garde corps supérieur démontable)	365,00	SEM14-22-022	Main transmission kit	602,00
SEM10-28-544	Gangway pole for mechanical seed-drill (Poteau de passerelle)	102,00	SEM14-22-024	Drive kit distribution for DS580	304,00
SEM10-28-545	Gangway ladder (Echelle de passerelle)	124,00	SEM14-22-501	Transmisison set extension DS580	188,00
SEM10-28-658	Lag stop axle	59,00	SEM14-26-010	Blower kit	3 998,00
SEM10-28-671	Spring support	79,00	SEM14-26-013	Dosage trap kit - Ø90	311,00
SEM10-28-676	Lag stop axle	85,00	SEM14-26-507	Dosing trap Ø90 (Trappe de dosage corps venturi Ø90)	279,00
SEM10-28-681	Sun wheel axle	212,00	SEM14-26-510	Distribution body (Corps mono distribution)	1 925,00
SEM10-28-703	Hook for front tarpaulin	88,00	SEM14-26-611	Shutter hatch (Trappe d'obturation)	30,00
SEM10-28-709	Protection cover 3M	447,00	SEM14-26-815	Distribution tightness joint	24,60
SEM10-28-711	Sun wheel axle	37,50	SEM14-27-005	Flutings kit	701,00
SEM10-28-764	Distance spacer to set gangway (Entretoise de fixation passerelle)	6,40	SEM14-27-006	Agitator kit	273,00
SEM10-28-765	Counterflange to set gangway (Contre bride de fixation passerelle)	44,00	SEM14-27-007	Spoons kit	287,00
SEM10-28-766	Coupling plate for body guard (Plat de liaison garde corps)	39,60	SEM14-27-604	High flow fluted-feed (Cannelure gros débit)	89,00
SEM12-13-053	sowing element kit	1 131,00	SEM14-27-605	Fitting fluted-feed washer thick=1mm (Rondelle cannelures)	11,80
SEM12-13-672	Distance spacer multi-stop	10,70	SEM14-27-606	Fitting fluted-feed washer thick=5mm (Rondelle cannelures)	11,80
SEM13-27-002	Complete spoon kit	38,50	SEM14-27-615	Stirrer shaft (Arbre d'agitateur)	269,00
SEM14-01-021	Hopper set and frame for DS580 (Kit trémie + châssis de DS580)	3 455,00	SEM14-27-616	Distribution shaft	278,00
SEM14-01-510	Frame hopper set DS580 (Ensemble châssis trémie DS580)	1 315,00	SEM14-27-617	Feed cups shaft (Arbre de cuillères)	61,00
SEM14-01-511	Buckle guy set inside hopper DS580 (Ensemble haubans interne trémie)	161,00	SEM14-27-619	Non-perforated distribution casing (Capot mono distribution non perfo)	31,00
SEM14-12-603	Perforated covering sheet (Tôle fermeture percée)	211,00	SEM14-28-001	Bonnet kit	159,00
SEM14-12-610	Tension shaft DS-580 (Arbre tendeur DS580)	66,00	SEM14-28-010	Gangway set DS580 (Kit passerelle)	1 706,00
SEM14-12-612	Transmission shaft DS580 (Arbre transmission DS580)	165,00	SEM14-28-510	Complete hopper (Trémie complète)	1 339,00
SEM14-13-001	Transmission kit DS580 4M	2 236,00	SEM14-28-511	Lower part for ladder DS580 (Partie inférieure échelle DS580)	296,00
SEM14-13-002	Transmission kit DS580 4.50M	2 236,00	SEM14-28-512	Upper part for ladder DS580 (Partie supérieure échelle DS580)	141,00
SEM14-13-003	Transmission kit DSF580	2 184,00	SEM14-28-513	Body guard set for gangway DS580 (Ensemble garde corps DS580)	217,00
SEM14-13-005	Sun wheel hydraulic lift	2 406,00	SEM14-28-514	Gangway floor DS580 (Plancher passerelle DS580)	778,00
SEM14-13-007	Sun wheel kit for DOM Gold / Super	1 540,00	SEM14-30-003	Repartition head kit 24 outlets DS580	2 087,00
SEM14-13-501	Sun wheel support DS580	196,00	SEM14-30-004	Repartition head kit 16 outlets DS581	503,00
SEM14-13-510	Front sun wheel support DS580	335,00	SEM14-30-503	Distribution head support DS580 (Support tête de répartition DS580)	132,00
SEM14-13-511	Complete transmission bearing support	80,00	SEM14-30-504	Tube for tramline recycling Ø90mm - 4 outlets Ø35mm	219,00
SEM14-13-608	Abutment axle	39,60	SEM14-32-501	Reduction turbine outlet set DS580 (Ensemble réduction sortie turbine)	280,00

Code	Description	Unit Price E	Code	Description	Unit Price E
SEM14-ET-001	Sticker kit for DS580	35,30	SEM26-13-610	Back washer	10,70
SEM15-12-001	Connecting tube kit for distribution	96,00	SEM26-13-611	Mud scraper	9,60
SEM15-12-601	Connecting tube for distribution	57,00	SEM26-13-612	Strip support	8,00
SEM15-22-001	Drive pin kit	270,00	SEM26-13-613	Back washer	1,90
SEM15-22-005	Straightener kit for DSF1600	131,00	SEM26-35-604	Setting tube for the hight of the harrow	22,50
SEM15-22-055	Drive chain for sun wheel	20,30	SL-100-021	Blade prop kit with short rear drift for 12mmx430mm blade - Left	269,00
SEM15-22-606	Transmission shaft DS580	103,00	SL-100-022	Blade prop kit with short rear drift for 12mmx430mm blade - Right	269,00
SEM15-22-608	Transmission shaft DSF1600	96,00	SL-100-023	Central blade support kit for 12x430mm central blade	290,00
SEM15-28-003	Window kit	65,00	SL-111	Left-hand blade support 24 - 160	457,00
SEM15-28-006	Extension kit for DS 1600 hooper	1 969,00	SL-112	Right-hand blade support 24 - 160	457,00
SEM15-28-632	Tarp for DS 1600	660,00	SL-120-023	Central blade support kit for 15x500mm central blade	486,00
SEM15-32-001	Pipe kit for distribution	197,00	SL-120-024	Blade support kit for Disc-O-Vigne	486,00
SEM16-03-502	Ploughshares with Carbide plates 25X25	103,00	SL-120-025	Blade support kit LEFT	379,00
SEM16-03-605	Left guard plate	51,00	SL-120-026	Blade support kit RIGHT	379,00
SEM16-03-606	Right guard plate	51,00	SL-120-031	Blade support kit left for Maximulch	723,00
SEM16-13-510	Air-blast stripper	91,00	SL-120-032	Blade support kit right for Maximulch	723,00
SEM16-26-070	Inox distribution 2x Ø70	2 252,00	SL-120-520	Blade support 20 - 120	439,00
SEM16-26-090	Inox distribution 1x Ø90	2 033,00	SL-120-521	Left-hand outcentred blade support 24-120 - Screw Ø 18	413,00
SEM16-26-270	Venturi kit (for inox distribution 2 x Ø70)	413,00	SL-120-522	Right-hand outcentred blade support 24-120 - Screw Ø 18	413,00
SEM16-26-290	Venturi kit (for inox distribution 1 x Ø90)	341,00	SL-120-531	Left-hand blade support for Maximulch	654,00
SEM16-27-070	1/2 venturi kit Ø70	87,00	SL-120-532	Right-hand blade support for Maximulch	654,00
SEM16-35-009	Double vibrating tine kit	143,00	SL120-537	Central blade support	224,00
SEM20-13-005	Spreaders inox kit for sowing ramp	71,00	SL-160-001	Blade support kit left (for beam 160mm)	701,00
SEM20-13-501	Inox spreader	63,00	SL-160-002	Blade support kit right (for beam 160 mm)	701,00
SEM20-13-513	Repartition head support for 8.00m folding	277,00	SL-160-006	650 blade support kit right for beam 160 mm	533,00
SEM20-13-516	Double exit for fertilizer	77,00	SL-160-007	650 blade support kit left for beam 160 mm	533,00
SEM23-08-001	Left-hand deflector	703,00	SL-160-031	Blade prop kit with short rear drift for 20mmx610mm blade - Left	685,00
SEM23-08-612	Right-hand deflector	188,00	SL-160-032	Blade prop kit with short rear drift for 20mmx610mm blade - Right	685,00
SEM23-13-631	Carbide scraper	22,50	SL-160-033	Central blade support kit for 20x610mm central blade	721,00
SEM23-13-647	Anti bounce	5,40	SL-160-503	Central blade support (Support de lame centrale)	655,00
SEM23-35-604	Covering harrow (Herse)	7,50	SL-160-509	Left-hand blade support 24 - 160	506,00
SEM26-13-011	Seeding element short	858,00	SL-200-009	Blade support kit 610 left	777,00
SEM26-13-012	Seeding element long	736,00	SL-200-010	Blade support kit 610 right	777,00
SEM26-13-022	Seeding disc kit Right	86,00	SL-200-011	Blade support kit offset short left	812,00
SEM26-13-023	Seeding disc kit left	86,00	SL-200-012	Blade support kit offset short right	812,00
SEM26-13-607	Hub	37,50	SL-200-013	Blade support kit offset long left	1 168,00
SEM26-13-608	Hub cap	10,70	SL-200-014	Blade support kit offset long right	1 168,00
SEM26-13-609	Shoulder screw	10,70	SL-200-019	Blade support kit offset short 750 left	794,00

Code	Description	Unit Price E	Code	Description	Unit Price E
SL-200-020	Blade support kit offset short 750 right	794,00	TCS-BOR28-132	Right-hand 30-140 leading edge 650-750	49,00
SL-200-505	Blade support 740 right	1 030,00	TCS-DIS410-02	Disc Ø410 with 5 holes	36,40
SL-200-506	Blade support 740 Left	1 030,00	TCS-DIS-503	Crenellated Ø610mm disc 8 holes	54,00
SL-200-511	Left -hand Blades support 610 (Support de lame 610 gauche)	561,00	TCS-DIS-508	Crenellated Ø460mm disc 8 holes	37,00
SL-200-512	Right -hand Blades support 610 (Support de lame 610 gauche)	561,00	TCS-DIS-531	Crenellated Ø560mm disc	46,00
SL-200-513	Left-hand blade support 20-200 for VSC Ø20	664,00	TCS-DIS-536	Crenalated Ø510mm disc , 8 holes	41,00
SL-200-514	Right-hand blade support 20-200 for VSC Ø20	664,00	TCS-DIS-537	Crenellated Ø560mm disc, 8 holes	46,00
SL-200-515	Back left-hand blade support for beam of 200 and screw VSCØ 20	1 101,00	TCS-LAM15-550D-C1	Full right blade with winged ploughshare	508,00
SL-200-516	Back right-hand blade support for beam of 200 and screw VSCØ 20	1 101,00	TCS-LAM15-550D-C2	TCS blade kit 15x550 Right with ploughshare carbi-protect	686,00
SL-300-501	Blade support Left	1 117,00	TCS-LAM15-550G-C1	Full left blade with winged ploughshare	508,00
SL-300-502	Blade support right	1 117,00	TCS-LAM15-550G-C2	TCS blade kit 15x550 Left with ploughshare carbi-protect	686,00
SNM2-14-C002-LFU1	Additional charge for an hydraulic motor for large output turbine	2 096,00	TCS-LAM15-700D-C1	TCS blade kit 20x700 right-hand with carbide	672,00
SOC1208-116	Agrisem standard ploughshare 12-08 - Left	79,00	TCS-LAM15-700G-C1	TCS blade kit 20x700 left-hand with carbide	672,00
SOC1208-117	Agrisem winged ploughshare 12-08 - Left	73,00	TCS-LAM20-650D-C1	Kit complete blade TCS 650 right-hand with G3 carbide ploughshare	850,00
SOC1208-181	Agrisem winged ploughshare 12-08 - Left	85,00	TCS-LAM20-650D-C2	Kit right blade TCS 20x650 blade MC2	780,00
SOC1208-182	Agrisem winged ploughshare 12-08 - Right	85,00	TCS-LAM20-650D-C4	Kit right blade TCS 20x650 with EASY-CARBI ploughshare	1 042,00
SOC1510-211	Agrisem winged left ploughshare 15-10	147,00	TCS-LAM20-650G-C1	Kit complete blade TCS 650 left-hand with G3 carbide ploughshare	850,00
SOC1510-212	Agrisem winged right ploughshare 15-10	147,00	TCS-LAM20-650G-C2	Kit left blade TCS 20x650 blade MC2	780,00
SOC2012-181	Agrisem standard ploughshare - Left	151,00	TCS-LAM20-650G-C4	Kit left blade TCS 20x650 with EASY-CARBI ploughshare	1 042,00
SOC2012-182	Agrisem standard ploughshare - Right	151,00	TCS-LAM20-740D-C1	Kit complete blade TCS 740 right-hand with G3 carbide ploughshare	877,00
SOC2012-331	Agrisem winged ploughshare - Left	195,00	TCS-LAM20-740D-C2	Kit complete blade TCS 740 right-hand	808,00
SOC2012-331-CBT5	Agrisem winged ploughshare - carbide plated - Left	371,00	TCS-LAM20-740D-C4	Kit complete blade TCS 20x740 right hand with EASY-CARBI ploughshare	1 069,00
SOC2012-332	Agrisem winged ploughshare - Right	195,00	TCS-LAM20-740G-C1	Kit complete blade TCS 740 left-hand with G3 carbide ploughshare	877,00
SOC2012-332-CBT5	Agrisem winged ploughshare - carbide plated - Right	371,00	TCS-LAM20-740G-C2	Kit complete blade TCS 740 left-hand	808,00
SOC20-131-C1	Left-hand Ploughshare with carbide (Soc Carbure 130 gauche)	211,00	TCS-LAM20-740G-C4	Kit complete blade TCS 20x740 left hand with EASY-CARBI ploughshare	1 069,00
SOC20-132-C1	Right-hand Ploughshare with carbide (Soc Carbure 130 droit)	211,00	TCS-LAM20-750D-C1	Blade TCS 750 right	904,00
SOC20-135	Winged share Left without carbide	72,00	TCS-LAM20-750D-C2	TCS blade kit 20x750 right-hand	835,00
SOC20-136	Winged share Right without carbide	72,00	TCS-LAM20-750D-C4	Kit complete blade TCS 20x750 right hand with EASY-CARBI ploughshare	1 097,00
SOC3015-351	Agrisem winged ploughshare 850 - Left	365,00	TCS-LAM20-750G-C1	Blade TCS 750 left	904,00
SOC3015-352	Right-hand AGRISEM winged ploughshare 850 (Soc 850 droit à aileron)	365,00	TCS-LAM20-750G-C2	TCS blade kit 20x750 left-hand	835,00
SP2J60100	Seal kit for cylinder	101,00	TCS-LAM20-750G-C4	Kit complete blade TCS 750 left-hand with carbide ploughshare	1 097,00
SVH-50-115-200	Bellows Ø50-115	79,00	TCS-LAM30-750D-C1	Kit complete blade TCS 30x750 right-hand with carbide ploughshare	1 198,00
SVH-60-115-300	Bellows Ø60 - 115	120,00	TCS-LAM30-750G-C1	Kit complete blade TCS 30x750 left-hand with carbide ploughshare	1 198,00
SWF403956-RE	Electric motor for DS580	370,00	TCS-LAM-551	Left-hand TCS blade 15 x 550	295,00
TCS-BA35-504	Absorbing arm 35x35mm Right-hand or rear	136,00	TCS-LAM-552	Right-hand TCS blade TCS 15 x 550	295,00
TCS-BOR24-121	Left-hand 30-140 leading edge 550	34,00	TCS-LAM-651	Left-hand TCS blade TCS 20 x 650	462,00
TCS-BOR24-122	Right-hand 30-140 leading edge 550	34,00	TCS-LAM-652	Right-hand TCS blade TCS 20 x 650	462,00
TCS-BOR28-131	Left-hand 30-140 leading edge 650-750	49,00	TCS-LAM-705	Left-hand TCS 15 x 700 blades	337,00

Code	Description	Unit Price E	Code	Description	Unit Price E
TCS-LAM-706	Right-hand TCS 15 x 700 blades	337,00	TCS-SR35-511	Front Security 3D S35 with 2x Ø20 - 60	203,00
TCS-LAM-741	Left-hand blades TCS 20 x 740	508,00	TCS-SR35-512	Rear security 3D S35 with 2x Ø20 - 60	203,00
TCS-LAM-742	Right-hand blades TCS 20 x 740	508,00	TCS-SR35-525	Left security 3D S35 Flexi-pack (QDC FP G Jonction oxycoupée)	289,00
TCS-LAM-751	Left-hand TCS blade TCS 20 x 750	553,00	TCS-SR35-526	Right security 3D S35 Flexi-pack (QDC FP D Jonction oxycoupée)	289,00
TCS-LAM-752	Right-hand TCS blade TCS 20 x 750	553,00	TE12S	T Din 12S	16,10
TCS-PFM-601	Fixing plate 3D security 30 mm	47,00	TE8S	T Din 8S	12,80
TCS-PFM-602	Large fixing plate for 3D security 35 mm	75,00	TF1521J	Female plug for CHMC012 yellow	3,20
TCS-PFM-603	Moulded plate for 3D security with spring Ø35	49,00	TF1521N	Female plug for male coupler black	3,20
TCS-PFM-604	Moulded plate for 3D security with spring Ø30	44,00	TF1521R	Female plug for male coupler	3,20
TCS-PFM-605	Moulded plate for 3D security with spring Ø40	86,00	TF2027R	Female plug for male coupler	4,30
TCS-SL200-612	Moulded safety device support 52	537,00	TF362	Toggle to be screwed	61,00
TCS-SOC553W-MC2	Left-hand winged ploughshare with carbure	86,00	TH1204	Connection kit rigid 3/8' gas	58,00
TCS-SOC553W-MC4	Left hand winged TCS CARBI-PROTECTploughshare with carbide	264,00	TL802E	Pipes fastener	13,90
TCS-SOC554W-MC2	Right-hand winged ploughshare with carbure	86,00	TO12S	Swivelling T DIN 12S	25,70
TCS-SOC554W-MC4	Right hand winged TCS CARBI-PROTECTploughshare with carbide	264,00	TOR12S	Swivelling reversed T DIN 12S	25,70
TCS-SOC653W-MC2	Left-hand winged TCS ploughshare without carbide	132,00	TOR16S	Swivelling reversed T DIN 16S	38,50
TCS-SOC653W-MC3	CARBIDE Left-hand winged ploughshare 650 with 3 plates on the point	193,00	TU-5-8	Pipe silicone Ø5-8 lg 0.8m	12,80
TCS-SOC654W-MC2	Right-hand winged TCS ploughshare without carbide	132,00	TUS-125	Pipe Ø125mm (interior)	70,00
TCS-SOC654W-MC3	CARBIDE Right-hand winged ploughshare 650 with 3 plates on the point	193,00	TUS-40	Pipe Ø40mm (interior)	20,00
TCS-SOC657W-001	EASY-CARBI ploughshare 650 LEFT kit with carbide	385,00	TUS-40-25M	25M roller of pipe Ø40mm	353,00
TCS-SOC657W-011	Removable parts kit Left with carbide	267,00	TUS-70	Pipe Ø 70 (interior)	30,00
TCS-SOC657W-602MCR	Removable bow inside LEFT with carbide	83,00	TUSR-25	Reinforced pipe Ø25mm (interior)	8,60
TCS-SOC657W-603MCR	Removable bow outside LEFT with carbide	83,00	TUSR-25-25M	25M roller of pipe Ø25 mm	175,00
TCS-SOC657W-611MCR	Removable tip with carbide	89,00	TUSR-35	Spiral reinforced tube Ø35 int.	11,00
TCS-SOC657W-MU1	Left ploughshare 650 for removable wear parts	129,00	TUSR-35-25M	25M roller of pipe Ø35mm	262,00
TCS-SOC658W-001	EASY-CARBI ploughshare 650 RIGHT kit with carbide	385,00	TUSR-40	Spiral reinforced tube Ø40 int.	13,90
TCS-SOC658W-011	Removable parts kit Right with carbide	267,00	TUSR-90	Spiral reinforced tube Ø90 int.	43,00
TCS-SOC658W-602MCR	Removable bow inside RIGHT with carbide	83,00	TUSR-90-20M	20M roller of reinforced tube	769,00
TCS-SOC658W-603MCR	Removable bow outside RIGHT with carbide	83,00	UE08S	Union equal Din 08S - Din 08S	3,20
TCS-SOC658W-MU1	Right ploughshare 650 for removable wear parts	129,00	UE12S	Union equal 12S - Din 12S	4,30
TCS-SR30-501	3D security system for Best (front) 2x Ø18x 50	153,00	UFF038R014R	Female union 3/8" gas 1/4" gas	6,40
TCS-SR30-502	3D security system for Best (rear) 2x Ø18x 50	153,00	UM12S012R	Male union 1/2 gaz - DIN 12S	7,50
TCS-SR30-503	3D security system 30x30 Long Left	158,00	UM12S012R-LD	Male union 1/2" gas - DIN 12S	7,50
TCS-SR30-504	3D security system 30x30 Long Right	158,00	UM12S014R	Male union 1/4" gas - DIN 12S	13,90
TCS-SR35-505	Front long 3D security system with high impact spring Ø35	203,00	UM12S038R	Male union 3/8" gas - DIN 12S	6,40
TCS-SR35-506	Rear long 3D security system with high impact spring Ø35	203,00	UM12S1815R	Male union 1/2" gas - M8.150	5,40
TCS-SR35-507	Left security 3D Flexi-roll S35 (Sécurité 3D S35 Flexi-Roll gauche)	233,00	UM16S012R	Male union 1/2" gas - DIN 16S	7,50
TCS-SR35-508	Right security 3D Flexi-roll S35 (Sécurité 3D S35 Flexi-Roll droit)	233,00	UM16S034R	Male union 3/4" gas - DIN 16S	21,40

Code	Description	Unit Price E	Code	Description	Unit Price E
UM20S034R	Male union 3/4" gas - DIN 20S	10,70	VCHC8-050-FT	CHC screw M8x50 - 8.8 - white zinc	1,60
UM6L014R	Male union 1/4" gas - DIN 6L	4,30	VCHC8-060	CHC screw 8x60 - 8.8 white zinc	1,60
UM8S014R	Male union 1/4" gas - DIN 8S	4,30	VED012FL4	Double valve charges compensation	551,00
UM8S038R	Male union 3/8" gas - DIN 8S	11,80	VES012FL4	Single valve charges compensations	383,00
UMF012R014R	Male female union 1/2" gas 1/4" gas	6,40	VF8R	Coupler for braking trailer-side	53,00
UMF012R038R	Male female union 1/2" gas 3/8" gas	8,60	VFCC12-090	Screw M 12x90	1,50
UMF038R014R	Male female union 3/8" gas 1/4" gas	5,40	VFHC08-016-109N	FHC screw - M8x16 - 10.9 - Black	0,60
UP2J60100AGM	Cylinder seals kit	79,00	VFHC10-020-109N	FHC screw - M10x20 - 10.9 - black	1,10
V000200100	Simple effect cylinder 1/4" gas	170,00	VFHC10-035-FT	FHC screw M10x35 - 8.8 - white zinc	0,70
V160320100	Hydraulic cylinder double effect 1/4" gas	268,00	VFHC12-025-109N	Screw FHC M 12 x 25 - 10.9 - blackened	1,30
V300500300	Hydraulic cylinder double effect Ø30x300	294,00	VFHC12-030-109N	FHC screw M12x30 - 10.9 - black	1,40
V350700200	Hydraulic cylinder double effect 3/8"	524,00	VFHC12-040-109N	FHC screw - M12x40 - 10.9 - black	1,90
V400800200	Hydraulic cylinder 40/80 course 200	1 213,00	VFHC12-060-109	FHC screw - M12x60 - 10.9 - white zinc	2,40
V601000300-1	Double effect cylinder 1/2" gas - Ø60x100	756,00	VFHC12-070-109N	FHC screw M12x70 - 10.9 - black	2,50
V601000600	Double effect cylinder course 600mm	941,00	VFHC14-040-109N	FHC screw M14x40 - 10.9 - blackened	3,50
V65130712	Cylinder double effect (course 712 mm)	3 638,00	VFHC16-040-109N	FHC screw M16 x 40 - 10.9 - Blackened	5,40
VAO8-020	Thumbscrew M8x20	11,30	VFHC16-060-109	FHC screw M16x60 10.9 white zinc coated	5,70
VAO8-030	Thumbscrew M8 x 30	12,40	VFHC16-070-109	Screw FHC M 16 x 70 -10.9 - bichromated	6,10
VBCC10-035	Bulbing screw with collar square M10x35	2,40	VFHC16-070-109N	screw FHC M 16 x 70 -10.9 - black	6,10
VBCC10-060	Bulbing screw with collar square M10x60	2,70	VFHC20-060-109	FHC screw - M20x60 - 10.9 - white zinc	13,40
VBCC12-035	Bulbing screw with collar square M12x35	3,40	VFHC20-060-109N	Screw FHC M 20 x 60 -10.9 - blackened	13,40
VBCC14-045	Bulbing screw with collar square M14x45	3,90	VFHC20-070	FHC screw - M20x70 - 8.8 - white zinc	13,60
VBHC4-020-IFT	BHC screw - M4x20 - 8.8 - stainless steel	0,60	VFHC20-080	FHC screw - M20x80 - 8.8 - white zinc	16,10
VBHC6-030-IFT	BHC screw - M6x30 - 8.8 - stainless steel	1,00	VH04-020-FT	H screw - M4x20 - 8.8 - bichromated	0,90
VCCH5-025	CHC screw M5 - Ø6x25 - 8.8	1,50	VH06-010-FT	H screw - M6x10 - 8.8 - white zinc	1,00
VCHC10-030-FT	CHC screw M10x30 - 8.8	1,50	VH06-014-FT	H screw M6x14 - 8.8 - white zinc coated	1,10
VCHC14-035-FT	CHC screw M14	1,70	VH06-020-FT	Screw H M 6 x 20 - 8.8 - dichromate	1,20
VCHC18-120	CHC screw M18 x 120	6,80	VH06-030	H screw M6x30 - 8.8 - white zinc	1,20
VCHC18-140	CHC screw - M18x140 - 8.8 - zinc	9,10	VH08-014-FT	H screw - M8x14 - 8.8 - bichromated	1,30
VCHC20-110	CHC screw -M20 x 110- 8.8 - white zinc	11,30	VH08-016-FT	H screw - M8x16 - 8.8 - white zinc	1,40
VCHC4-08-FT	CHC screw - M4x8 - 8.8 - bichromated	1,00	VH08-025-FT	H screw - M8x25 - 8.8 - bichromated	1,50
VCHC5-016-FT	CHC screw - M5x16 - 8.8 - bichromated	1,00	VH08-040	H screw - M8x40 - 8.8 - bichromated	1,50
VCHC6-020	CHC screw - M6x20 - 8.8 - white zinc	1,10	VH08-060	H screw - M8x60 - 8.8 - white zinc	1,70
VCHC6-025-FT	CHC screw - M6x25 - 8.8 - white zinc	1,10	VH08-080	H screw - M8x80 - 8.8 - bichromated	1,90
VCHC6-035-FT	CHC screw - M6x35 - 8.8 - white zinc	1,20	VH08-090	H screw - M8x90 - 8.8 - white zinc	2,00
VCHC6-045-FT	CHC screw - M6x45 - 8.8 - bichromated	1,20	VH10-020-FT	H screw - M10x20 - 8.8 - bichromated	1,60
VCHC6-060	CHC screw - M6x60 - 8.8 - white zinc	1,30	VH10-030-FT	H screw - M10x30 - 8.8 - bichromated	1,80
VCHC8-045	CHC screw - M8x45 - 8.8 - white zinc	1,50	VH10-035-FT	H screw - M10x35 - 8.8 - white zinc	1,90



Code	Description	Unit Price E
VH10-045	H screw - M10x45 - 8.8 - white zinc	2,40
VH10-055	H screw - M10x55 - 8.8 - white zinc	2,50
VH10-080	H screw - M10x80 - 8.8 - White zinc	3,00
VH10-150	H screw - M10x150 - 8.8 - white zinc	5,10
VH10-180	H screw - M10x180 - 8.8 - white zinc	5,90
VH12-020-FT	H screw - M12x20 - 8.8 - bichromated	1,80
VH12-025-FT	H screw - M12x25 - 8.8 - white zinc	1,90
VH12-030-FT	H screw - M12x30 - 8.8 - white zinc coated	1,90
VH12-035-FT	H screw - M12x35 - 8.8 - white zinc	1,90
VH12-045-FT	H screw - M12x45 - 8.8 white zinc	2,10
VH12-055	H screw - M12x55 - 8.8 - white zinc	2,10
VH12-065	H screw - M12x65 - 8.8 - white zinc	2,10
VH12-075	H screw - M12x75 - 8.8 - bichromated yellow	2,20
VH12-080	H screw - M12x80 - 8.8 - white zinc	2,40
VH12-090	H screw - M12x90 - 8.8 - white zinc	2,40
VH14-025-FT	screw H M 14 x 25 - 8.8 - bichromated per unit	2,60
VH14-030-FT	H screw - M14x30 - 8.8 - white zinc	2,80
VH14-035-FT	H screw - M14x35 - 8.8 - white zinc	3,00
VH14-040-FT	H screw - M14x40 - 8.8 - white zinc	3,10
VH14-045	H screw - M14x45 - 8.8 - white zinc	3,20
VH14-050	Screw H M 14 x 50 - 8.8 - dichromate	3,30
VH14-060	H screw - M14x60 - 8.8 - white zinc	3,40
VH14-080	H screw - M14x80 - 8.8 - white zinc	3,50
VH14-090	H screw - M14x90 - 8.8 - white zinc	3,70
VH14-110	H screw - M14x110 - 8.8 - white zinc	4,30
VH14-120	H screw - M14x120 - 8.8 - white zinc	4,40
VH14-140	H screw - M14x140 - 8.8 - white zinc	4,50
VH16-025-FT	H screw - M16x25 - 8.8 - bichromated yellow	3,00
VH16-030-109-FT	H screw - M16x30 - 10.9 - white zinc	3,60
VH16-030-FT	H screw - M16x30 - 8.8 - bichromated yellow	3,30
VH16-040-FT	H screw - M16x40 - 8.8 - white zinc	3,50
VH16-045-FT	H screw - M16x45 - 8.8 - bichromated yellow	3,60
VH16-050	H screw - M16x50 - 8.8 - birchromated yellow	3,70
VH16-060	H screw - M16x60 - 8.8 - white zinc	3,90
VH16-070	H screw - M16x70 - 8.8 - white zinc	4,00
VH16-080-FT	H screw - M16x80 - 8.8 - white zinc	4,20
VH16-100	H screw - M16x100 - 8.8 - white zinc	4,30
VH16-120	H screw - M16x120 - 8.8 - bichromated	4,70

Code	Description	Unit Price E
VH16-160	H screw - M16x160 - 8.8 - bichromated yellow	5,00
VH16-180-109	H screw - M16x180 - 10.9 - white zinc	5,40
VH18-060	H screw - M18x60 - 8.8 - white zinc	5,00
VH18-075	H screw - M18x75 - 8.8 - white zinc	5,40
VH18-080	H screw - M18x80 - 8.8 - white zinc	5,70
VH18-090	H screw - M18x90 - 8.8 - bichromated	5,90
VH20-030	H screw - M20x30 - 8.8 - white zinc	4,20
VH20-040-FT	H screw - M20x40 - 8.8 - bichromated yellow	4,90
VH20-050	H screw - M20x50 - 8.8 - white zinc	5,90
VH20-060	H screw - M20x60 - 8.8 - white zinc	6,30
VH20-070	screw H M 20 x 70 - 8.8 - dichromate	7,10
VH20-080	H screw - M20x80 - 8.8 - white zinc	7,70
VH20-080-109	H screw - M20x80 -10.9 white zinc	7,50
VH20-090	H screw - M20x90 - 8.8 - white zinc	8,30
VH20-100-FT	Screw H M 20 x 100 - 8.8 - bichromated	8,60
VH20-110	H screw - M20x110 - 8.8 - white zinc	8,70
VH20-120	H screw - M20x120 - 8.8 - white zinc	9,40
VH20-130	H screw - M20x130 - 8.8 - white zinc	9,60
VH20-180	H screw - M20x180 - 8.8 - white zinc	10,20
VH20-180-109	H screw - M20x180 -10.9 white zinc	10,50
VH20-200	H screw - M20x200 - 8.8 - bichromated	10,60
VH24-060-FT	H screw - M24x60 - 8.8 - white zinc	6,30
VH24-065	H screw - M24x65 - 8.8 - white zinc	6,30
VH24-070	H screw - M24x70 - 8.8 - bichromated	6,50
VH24-080	H screw - M24x80 - 8.8 - bichromated yellow	6,60
VH24-090-FT	H screw - M24x90 - 8.8 - white zinc	7,30
VH24-100	H screw - M24x100 - 8.8 - bichromated yellow	7,40
VH24-120	H screw - M24x120 - 8.8 - bichromated	9,60
VH24-130	H screw - M24x130 - 8.8 - bichromated yellow	10,10
VH24-150	H screw - M24x150 - 8.8 - white zinc	11,30
VH24-160	H screw - M24x160 - 8.8 - white zinc coated	13,60
VH24-180	H screw - M24x180 - 8.8 - white zinc	14,00
VH24-190	H screw - M24x190 - 8.8 - white zinc	14,90
VH24-220	H screw - M24x220 - 8.8 - white zinc	15,40
VH24-230	H screw - M24x230 - 8.8 - white zinc	16,30
VH24-240	H screw - M24x240 - 8.8 - bichromated	17,80
VH24-280	Screw H M 24 x 280 - 8.8 - bichromated	20,00
VH24-280-109	H screw - M24x280 - 10.9 - white zinc	25,90



Code	Description	Unit Price E
VH24-320	H screw - M24x320 - 8.8 - white zinc	34,10
VH30-090-FT	H screw - M30x90 - 8.8 - bichromated	15,90
VH30-100	Screw H M 30 x 100 - 8.8 - bichromated	12,90
VH30-110	Screw H M 30 x 110 - 8.8 - zingué white	13,60
VH30-120-109	H screw - M30x120 - 10.9 - white zinc	18,20
VH30-140	H screw - M30x140 - 8.8 - white zinc	17,10
VH30-160	H screw - M30x160 - 8.8 bichromated	21,20
VH30-200	H screw - M30x200 - 8.8 - white zinc	31,80
VH30-280	Screw H M 30 x 280 - 8.8 - bichromated	37,70
VH30-280-109	H screw M30x280 - 10.9 - white zinc	39,60
VH30-300	H screw - M30x300 - 8.8 - white zinc	41,20
VH30-390	H screw - M30x390 - 8.8 - bichromated	41,20
VH33-140	H screw - M33x140 - 8.8 - white zinc	25,90
VOL8	Steering with ray	5,80
VFFFBC12-035-109	Screw VBCC M12 x 35	1,00
VFFFBC12-065-109	Screw VBCC M12 x 65	1,20
VPFH12-040-109	Screw M12 x 40	1,10
VPFH20-070	H screw - M20x70 -8.8 with metric fine thread	7,20
VPFH20-080	H screw - M20x80 - 8.8 with metric fine thread	7,90
VPFH20-090	H screw - M20x90 -8.8 with metric fine thread	8,50
VPI-501	Shoulder swivel screw	5,50
VPI-503	Shoulder swivel screw Ø 30	7,10
VPI-506	Fixing shoulder screw Ø30	8,00
VPI-508	Shoulder swivel screw Ø30 - M24	8,50
VPI-509	Swivel screw Ø30 M24 for support 25	7,70
VR13-30	Spring latch Ø13 lg 30	11,80
VRA3055	Double effect Cylinder 30x50 course 500	506,00
VS60100200-001	SHORT cylinder kit Super draw-bar	2 296,00
VS60100200-501	Super draw-bar cylinder	2 069,00
VS60100200-607	Adjustment block (cale de vérin)	23,50
VS60100600-001	Cylinder kit LONG Super draw-bar	1 343,00
VS60100600-002	Cylinder kit for hydraulic draw-bar with adjustment block	1 396,00
VS60100600-502	Adjustment block support	192,00
VS60100600-503	Cylinder Ø60x100 for hydraulic draw-bar (course 300)	546,00
VS70120700-001	Cylinder Ø70x120 - course : 700	908,00
VSC-503	Pre-sheared security screw Ø16	4,30
VSC-509	Pre-sheared security screw Ø18	19,80
VSC-611	Prenoché Ø18-20 screw safety device (Vis de sécurité préentaillé)	3,60

Code	Description	Unit Price E
VSC-613	Prenoché Ø20 screw safety device (Vis de sécurité Ø20 préentaillé)	3,90
VSC-614	Prenoché Ø18 screw safety device (Vis de sécurité Ø18 préentaillée)	3,70
VSC-616	Pre-sheared security screw Ø18 -20	3,70
VSC-617	Pre sheared security screw Ø16-18	4,20
VSC-619	Pre -sheared security screw Ø18	3,70
VSC-620	Security screw ... Ø24/20	4,60
VSC-621	Pre-sheared security screw Ø24	4,70
VSC-622	Security screw Ø 12	2,10
VSC-624	Security screw Ø20	5,40
VSQ35038L	Sequence valve 25-350 bars, 40	188,00
ZBR10504	Fluted bush	62,00
ZBR25606	Bearing carrier ...	168,00



# Parts pricelist - January 2016

## General terms of use

### **ART. 1 – GENERAL CLAUSE**

All orders we receive are subject to these General Terms and Conditions (GTC), which apply to all purchases, unless otherwise formally and expressly stipulated by us in the order confirmation.

By placing an order, the buyer fully and unconditionally accepts our general terms, to the exclusion of all other documents such as brochures or catalogues issued by the seller, which are only indicative. No special conditions supersede the general terms of sale, unless formally agreed in writing by the seller. No contrary conditions can be invoked by the buyer.

Any waiver by AGRISEM International relating to the performance by the Customer of any provision of these General Terms shall not be deemed a waiver of AGRISEM International's rights in the future. The provisions of these GTC remain fully in force.

### **ART. 2 – ORDERS**

Orders are not final until a written, signed confirmation is received from us, contained in the acknowledgment of receipt of order. However, acceptance may also result from the shipment of products. The signing of purchase orders is definitively binding on the buyer. Orders cannot be cancelled.

### **ART. 3 – TRANSPORT AND LACK OF CONFORMITY**

Unless otherwise specifically agreed, all costs of transport, insurance, customs and handling shall be borne by the Buyer.

Goods travel at risk of the Buyer, who is responsible for checking the condition of the goods at the time of delivery. Buyer must check the quality, quantity and references of the goods to ensure they are in conformity with the order.

No complaints will be considered after a period of 48 hours from the date of delivery.

The goods that are recognized to be non-conforming and are reported in the period indicated above will be replaced or a discount applied, excluding any other type of compensation.

### **ART. 4 – DELIVERY**

Deliveries are made subject to availability and in the order of arrival of orders. The seller is authorized to make partial or full deliveries. Delivery times are indicative and not binding. Delays in delivery do not entitle the buyer to cancel the order or to demand compensation.

Cases of force majeure or unforeseeable circumstances, such as mobilization, war, riots, partial or general strikes of the personnel of the vendor's company or other businesses which handle our orders, including shipping companies, lockouts, epidemics, shortages of materials, fires, floods, explosions, manufacturing equipment accidents, etc. relieve us from our obligation to supply the goods for which production is suspended.

In any event, delivery will be made on time only if the buyer is current in its obligations to the seller, whatever the cause.

### **ART. 5 – WARRANTIES**

AGRISEM International and the Buyer recognize each other as professionals of the products sold.

The goods and parts manufactured by AGRISEM International are warranted against defects in materials or workmanship for a period of 6 months from the date of delivery. The warranty is limited to replacing the parts found to be defective by AGRISEM International's after sales service, excluding any other compensation for damages. In all cases, the cost of labour will be borne by the buyer.

A credit note issued by the AGRISEM International for warranty purposes is valid during 12 months as from the date of issue, and can be deducted from any further order.

The applicable warranty terms are contained in the manual for each machine. The warranty applies only if the customer has met the general obligations of the contract, in particular the payment terms.

Under the warranty terms, the following are excluded from this warranty: wear parts, incidents arising from misuse of equipment, poor maintenance, the use of parts not approved by the manufacturer or changes made by the buyer, and in general any failure to comply with the requirements stipulated in the manual that came with the machine. Parts that have suffered abnormal wear and tear during the warranty period are also excluded from the warranty.

Warranty claims must be made on AGRISEM's "warranty claim form" sent by registered mail with return receipt by the dealer to the technical department of the company within 10 days from the date of the incident.

If the defects may cause damage to the machine, it is mandatory to stop using the equipment, otherwise AGRISEM International will be released from its contractual liability.

The buyer must present the warranty certificate and the invoice when the warranty is invoked. The warranty is not extended unless we give our prior written consent.

To benefit from the warranty, all products must be sent to AGRISEM International's after sales service, whose agreement is necessary for any replacement.

The buyer shall pay for any shipping costs involved. Repairs made under the warranty do not extend the warranty.

### **ART. 6 – RETURN OF PARTS**

Parts can be returned only after prior written agreement from AGRISEM International. Returned parts must be received properly packaged in original factory condition, shipped at buyer's expense to our premises, including the delivery slip number or invoice number. After receipt and inspection of the parts, a credit note will be drawn up with a reduction of 30% on the net price charged.

### **ART. 7 – PRICES**

The products are supplied at prices in effect at the time of delivery. The price listed on the order conformation is indicative only. Prices are net ex-works, VAT not included, packaging and shipping not included, Ex-works (EXW) for deliveries outside France. All taxes, duties or services payable under French regulations, or those of an importing country or transit country are the responsibility of the buyer.

Unless otherwise agreed in writing by the seller, shipping is always paid by the buyer.

### **ART. 8 – TERMS OF PAYMENT**

All our goods are payable to our registered offices, regardless of payment method used, under the conditions defined in the quotes and invoices.

Unless otherwise specified on the order form and in the order confirmation sent to the customer, all our invoices are payable upon receipt. The first order must be paid before the goods are shipped.

In case of payment by bill of exchange, the bills of exchange must be returned and accepted within two weeks of being sent.

Payment is made when the funds are actually posted to our account. A bill of exchange or any other instrument creating an obligation to pay does not constitute a payment.

### **ART. 9 – LATE PAYMENT OR FAILURE TO PAY**

By express agreement and unless we grant a deferral, failure to pay by the deadline will entitle us to, without prior notice:

- Demand immediate payment of all outstanding sums.
- Apply late charges of 3 times the legal interest rate in effect on the outstanding sums, incl. VAT.

The payment of all direct or indirect fees, lawyer expenses, collection agency fees and costs and any legal costs incurred to recover sums due, will be charged to the buyer.

In case of payment by negotiable instrument, failure to return the instrument within 15 days or return with extended terms will be considered failure to pay.

Failure to pay on the due date immediately releases our company from all obligations to the buyer, such as warranties, agreements, contracts, etc. ...

If an amicable settlement cannot be reached, the buyer will also owe an amount equal to 20% of the outstanding sums incl. VAT or 750 €, whichever is more, under article 1229 of the French Civil Code.

In all cases, the goods must be returned at the expense of the defaulting buyer, who is responsible for risks until we receive our equipment

### **ART. 10 - RESERVATION OF TITLE**

**Seller expressly reserves ownership of the goods delivered and designated below until payment has been made in full of the principal and any interest due. If the buyer fails to pay by the due date, the seller may take back the goods. The sale will be cancelled automatically at the discretion of the seller and seller will retain any deposits already paid in exchange for the enjoyment of the goods that the buyer benefited from. The goods remain the property of the seller until full payment of their price, but the buyer will become liable for any risks upon physical delivery. Accordingly, the buyer agrees to take out an insurance policy covering risks of loss, theft or destruction of the goods. The goods remain the property of the seller until full payment of their price, and therefore it is forbidden for the buyer to sell them or transform them. However, as a mere tolerance and for the sole purpose of its business, the seller authorizes the buyer to sell the goods provided that the buyer pays the full price outstanding as soon as the goods are sold.**

**The delivery of documents or the sale of products by AGRISEM International implies transfer only of physical property. Intellectual and industrial property of plans, designs, trademarks, logos, and generally all AGRISEM International documents or products belong exclusively to AGRISEM International.**

### **ART. 11 - JURISDICTION**

For any disputes arising from the implementation or interpretation of these general terms of sale, the Commercial Court of Nantes shall have sole jurisdiction. This applies even in the case of summary procedures, incidental claims or multiple defendants, and whatever the mode or manner of payment. For international sales, the contract is also governed by French commercial law and jurisdiction is also assigned to the Commercial Court of Nantes.



535 rue Pierre Levasseur

CS 60263

44158 Cedex ANCENIS - FRANCE

T. +33 (0)2 51 14 14 40

F. +33 (0)2 40 96 32 36

[agrisem@agrisem.com](mailto:agrisem@agrisem.com)

[www.agrisem.com](http://www.agrisem.com)

